

TABLE OF CONTENTS

Account Number: _____ Discount %: _____

INTRODUCTION

Introduction.....	2
Catalog Offerings, Online Ordering and Social Media	3
Freight Information	4 - 5
Ordering information and Terms and Conditions	6 - 7
Credit Application	8
Typical Sealing Components and Hydraulic Cylinder Applications.....	9 - 11
Product Index by Industry	12 - 13
Seal Kit Identification Code Conversion Chart.....	14
Regional Territory Map	15
Web Features.....	16

MOBILE KITS

Index.....	17
Mobile Kits.....	18 - 1137

PUMPS, MOTORS AND VALVE KITS

Index.....	1139
Pump, Motor and Valve Kits.....	1140 - 1177

APPENDIX

Index.....	1179
Technical Information	1180 - 1181

COPYRIGHT © 2025 HB Sealing Products, Inc. All Rights Reserved.

Any use of the contents of this publication without the written permission of HB Sealing Products, Inc. is strictly prohibited.

All trademarks mentioned belong to their respective owners. Prices in this catalog supersede those found in the Hercules Sealing Products 2024 Seal, Mobile Kit, Industrial Kit, Cylinder and Metal Working Catalogs. Prices are subject to change at any time.

Go to www.Herculesus.com to view current pricing.

US - Introduction

The Corporate Office of Hercules® Sealing Products is located in Clearwater, Florida. Hercules® is an ISO 9001 registered distributor of hydraulic and pneumatic seals, seal kits, repair parts, and replacement cylinders for mobile and industrial applications. Hercules® provides seal products used in hydraulic cylinders to a variety of industries for equipment such as: construction, mining, aerial lift and crane, dump and refuse trucks, material handling, industrial plant applications, paving, agriculture, and logging equipment. Industry-leading technical catalogs provide application, dimensional, material specifications and product pricing.

Hercules® Sealing Products distribution center is located in Louisville, Kentucky. The 120,000 sq. ft facility is located ten minutes from the UPS World Port which allows Hercules to offer the latest cut-off times in the US Seal Industry. The facility features state-of-the-art automation, inventory densification and design scalability.

A technical sales force with 8:00 a.m. to 8:00 p.m. ET hours of operation and an engineering department will provide you with unparalleled technical service. Additional value added services include reduced freight rates, special packaging, wide selection of aftermarket seal kits, largest in-stock inventory in the industry, and same day shipping on orders before 8:00 p.m. ET. Cylinder repair parts such as cylinders, power units, and cylinder rebuilding accessories are also available.

Hercules® Sealing Products offers products from the leading suppliers in the fluid power industry. These suppliers are continually rated and monitored based on the quality of their products. This process enables Hercules® to exceed our goal to deliver the highest quality products and services in the industry.



US HEADQUARTERS AND CALL CENTER

420 Park Place Blvd. Suite 100
Clearwater, FL, 33759 U.S.A

Tel: **727.796.1300**
Toll Free: **800.777.5617**
Fax: **727.797.8849**
Toll Free Fax: **800.759.6391**
email: **sales@HerculesUS.com**
www.HerculesUS.com
Customer Service Hours:
8:00 AM to 8:00 PM EST
Monday to Friday



DISTRIBUTION CENTER

4400 Commerce Crossing Dr. Suite 102
Louisville, KY 40229 U.S.A.

Tel: **502.276.0829**
Toll Free: **800.777.5617**
Fax: **502.290.3296**
Toll Free Fax: **800.759.6391**
email: **sales@HerculesUS.com**
www.HerculesUS.com

Online Ordering - www.HerculesUs.com

Hercules now offers extended webstore hours for next-day air delivery! Place your orders by **8:30pm EST** and receive your shipment the following day!

Placing orders on the Hercules® website is a fast and easy alternative to calling or faxing in your orders. Simply place items in the shopping cart and register during the checkout process, or click the “register” button on the upper right-hand corner of the homepage to start the process prior to shopping. First-Time visitors need to fill out a short profile to view company specific discounts and inventory. To shop quickly, click the “Quick Order Entry” button on the left side menu and add items by part number directly into your shopping cart. For website assistance, e-mail our Help Desk at HelpDesk@HerculesUS.com, click the Live Chat, or call 727-796-1300.

Sign-up for the Hercules e-newsletter, found at the bottom of the homepage, to receive notice of web-only specials, new product announcements and industry specific articles.



Catalog Offerings

Seal Catalog - The Hercules® Seal Catalog contains over 800 pages of seals in the most popular styles and sizes. The easy-to-use format quickly locates u-seals, piston seals, scrapers, o-rings, piston rings, buffer seals, and much more. Each listing includes seal material, temperature and pressure specifications, and cross-sectional drawings to simplify selection.

Industrial Kit Catalog - The Hercules® Industrial Catalog contains priced listings of the wide range of hydraulic / pneumatic sealing and related products for in-plant industrial applications. This catalog includes OEM quality industrial cylinder repair kits for many popular brands of in-plant cylinders such as; Parker, Miller, Hydro-Line, and many more. Additional product offerings include cylinder repair kits for many popular makes of forklifts; including Toyota, Raymond, Caterpillar®-Towmotor and many more.

Cylinder and Repair Parts Catalog - The Hercules® Cylinder Catalog is packed with valuable information for cylinder replacement and repair parts. It also features our very own HTR, HSTR, HMW, HCW, HTC, and Bobcat cylinders as well as telescopic cylinders, power units, and cylinder repair parts.

Metalworking Catalog - The Hercules® Metalworking Catalog provides exclusive product offerings for drills, taps, end mills, countersinks, dies, band saw blades, carbide inserts and holders, honing stones, and rotary thread files for the metal working environment. It also features in-depth technical information to simplify your selection process.

Hercules Social Media

Get connected to Hercules® Sealing Products - Go to the Hercules website at www.HerculesUs.com to link directly to our Facebook, Instagram, LinkedIn, TikTok and Hercules YouTube Channel.



Freight Information

Low cost air and ground shipments available world wide. Guaranteed service available (restrictions apply to select zip codes.) One Call to Hercules® Sealing Products gets you top quality seal and repair products, cost saving freight rates, and a wide variety of delivery services to save you time and money! Hercules® pays the dimensional weight charges for air US shipments on boxes up to 13" cubed (additional accessorial charges may apply).



MOST ARRIVE WITHIN 2 DAYS!

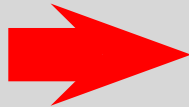
United States Postal Service Priority Flat-Rate Options

If It Fits, It Ships for One Low Rate - Anywhere in the Continental United States!

The United States Postal Services is available as a delivery option for all domestic locations. Your flat-rate options are as follows: Small padded envelope, medium and large boxes. When placing your order online at www.HerculesUS.com the envelope or box that would best fit your shipment size will appear on the Shipping and Payment screen. Orders placed via phone or fax will be determined by your regional sales representative. **Shipments placed by 11am EST will ship the same day.**

\$18.00*

Priority Flat-Rate Envelope
12-1/2 x 9-1/2 or
8-5/8 x 5-3/8 x 1-5/8



\$24.00*

Priority Flat-Rate
Medium Box
11" x 8 1/2" x 5 1/2"



\$30.00*

Priority Flat-Rate
Large Box
12" x 12" x 5 1/2"



* Additional accessorial charges may apply.

UPS and FedEx Special Discounted Rates

These discounted rates offer significant savings on shipments for zones 103 and up (additional accessorials charges may apply).
***Rates may be subject to change at any time.**



NEXT DAY AIR

(1-7 lbs.)

Package Weight	Rate
1 LB.	\$44.30
2 LBS.	44.30
3 LBS.	46.82
4 LBS.	51.94
5 LBS.	57.37
6 LBS.	62.82
7 LBS.	70.17

8LBS. AND UP - PUBLISHED UPS RATES.



NEXT DAY AIR

(1-7 lbs.)

Package Weight	Rate
1 LB.	\$44.30
2 LBS.	44.30
3 LBS.	46.82
4 LBS.	51.94
5 LBS.	57.37
6 LBS.	62.85
7 LBS.	70.17

8LBS. AND UP - PUBLISHED FEDEX RATES

UPS GROUND TRANSIT MAP

Call for Rates.



FEDEX GROUND TRANSIT MAP

Call for Rates.



Order Cut-Off Times

At Hercules, we understand the importance of getting your equipment fixed fast! Therefore, it is imperative that you receive your shipments on-time. Orders placed by the following cut-off times will ship the same day. All cut-off times are based on Eastern Time Zone.

Order Cut-Off Times	Freight Carriers
11:00 am EST	USPS Mail Services
3:30 pm EST	UPS Ground
8:00 pm EST	UPS Air Services
3:30 pm EST	FedEx Ground Services
5:30 pm EST	FedEx Air Services
3:30 pm EST	LTL – All Freight
3:30 pm EST	International Air FedEx and DHL
5:00 pm EST	International Air UPS

HERCULES® ORDERING INFORMATION

DOMESTIC CUSTOMER SERVICE

SATISFACTION

Total customer satisfaction is our goal. Please call with any questions or problems. Your input helps us to improve our service. We want to be your most reliable supplier.

HOW TO OPEN AN ACCOUNT WITH US - SAME DAY CREDIT APPROVAL

1. Copy and fill out the credit application found on page viii of this catalog.
2. Email or Fax completed and signed Credit Application and your sales tax exempt certificate (if applicable) for processing to 1-800-759-6391 or sales@herculesus.com.
3. Hercules will send an Open account notice when your account is approved. — If you need additional information call our Accounting Department at 800-244-5617 or email: **AR@herculesus.com**

HOW TO ORDER FROM US

Hercules can process orders in a number of ways. Orders can be placed by phone 1-800-777-5617, by email sales@herculesus.com, by fax 1-800-759-6391, or by using our website at www.herculesus.com. Our technical sales staff is also available TOLL FREE from 8 a.m. to 8:00 p.m. EST to take your order, assist you in finding the correct part, or answer any questions you may have.

SHIPMENT / DELIVERY

Every order we receive is classified as a RUSH. You tell us how fast you need it. Shipping agreements with UPS and FedEx allow us to offer substantial freight discounts.

PRICE QUOTATIONS/NON-CATALOG ITEMS

Hercules® is constantly adding parts to inventory. If you need a part that is not listed in our catalog, call, email, fax, or send us a sample of the part you need, roughly how many pieces are required, and we will source, quote, order, and stock the parts for you. Call, email or fax us anytime for price and delivery on hard-to-find or non-catalog items. Formal quotations for product and freight costs are gladly furnished upon request.

CREDIT CARDS

Hercules® accepts all major credit cards.

INTERNATIONAL CUSTOMER SERVICE

PHONE / FAX NUMBERS

PHONE: (727) 796-1300
FAX: (727) 797-8849

E-MAIL/WEBSITE

IntlSales@herculesus.com
http://www.herculesus.com

PAYMENT

Payment for all products must be in U.S. dollars.

REMIT ADDRESS: HB Sealing Products Inc, PO Box 736286, Dallas, TX 75373-6286



PLACING ORDERS FOR SHIPMENT

1. Fax, mail, email or telephone order to Hercules® specifying method of shipment.
2. Hercules® will fax or email order value to you. All prices are in U.S. dollars.
3. Wire instructions: Contact Hercules® for wire transfer details

ONLINE PAY BILLING PORTAL

Discover the convenience of Hercules' revamped Online Payment Portal. Pay invoices, download or email PDF invoices, and access payment receipts effortlessly.

Manage your payments from anywhere, anytime!

You must re-register for the New Improved Billing Portal by using your Customer ID and an Invoice Number.

Go online at www.HerculesUS.com.

SHIPMENT / DELIVERY

Hercules® will gladly ship by the carrier of your choice. Please specify any special shipping requirements you may have. All shipments are Ex-Works Louisville, KY, USA, unless otherwise specified or prearranged. Additional charges may be incurred for inbound freight and/or special packaging.

PRICE QUOTATIONS/NON-CATALOG ITEMS

Call, fax, or email us anytime for price and delivery. Formal quotations are gladly furnished upon request.

QUALITY

Hercules® has achieved a worldwide reputation as an organization committed to providing products and services that continually meet or exceed the needs and expectations of our customers. Hercules® is an ISO 9001 registered company.

ANTI-DEFAMATION POLICY

All equipment manufacturer's names, part numbers, and descriptions are used for reference purposes only. We do not imply that any part shown is the product of these manufacturers. We also do not imply that the list price shown is exactly that of the manufacturer.

TERMS AND CONDITIONS

BACKORDERS

Backorders will ship as ordered and additional freight charges will apply. Cancellation of backorders must be requested at the time of order to prevent additional freight charges. All backorders less than \$5.00 will be automatically canceled unless specified otherwise by the customer at the time of order.

CREDIT TERMS

Our payment terms for all open accounts are NET 30 days. Accounts outstanding over 30 days are reviewed daily. At 45 days past due (75 days from invoice date) all orders and backorders will automatically be put on credit hold until full payment is received.

RETURNS

Before you return any item, please call our customer service desk to obtain a Return Material Authorization (RMA) Number. Returned shipments without a Returned Material Authorization (RMA) number will be rejected. Our Receiving Department cannot accept a return without an RMA Number. Parts must be returned within 30 days of receipt of goods. All items to be returned must be in the original packaging. Returned items are subject to a 20% restocking charge. All returns are subject to inspection by our Quality Control Department and may be rejected if not in resalable condition. Special order items are non-returnable.

CLAIMS

It is the policy of HB Sealing Products that inquiries for pricing discrepancies, order discrepancies, freight claims and customer returns must be reported to Hercules Sealing Products Customer Service within 30 days of invoice. Claims/discrepancies reported after 30 days of invoice will not be honored.

ORDER CANCELLATIONS

Orders for Standard Cataloged Products will not be canceled once processed. All custom supplied, non-cataloged products cannot be canceled. Additional cancellation charges may apply.

EXCLUSION OF WARRANTIES; LIMITATIONS OF DAMAGES

EXCEPT AS PROVIDED IN THE NEXT SECTION (TITLED "HERCULES BRAND PRODUCTS CYLINDER WARRANTY") ANY WARRANTIES ON THE PRODUCTS SOLD BY HB SEALING PRODUCTS ARE THOSE MADE BY THE MANUFACTURER. EXCEPT AS PROVIDED IN THE "HERCULES BRAND PRODUCTS CYLINDER WARRANTY", HB SEALING PRODUCTS HEREBY EXPRESSLY DISCLAIMS ALL WARRANTIES, EITHER EXPRESS OR IMPLIED, INCLUDING ANY IMPLIED WARRANTY OF MERCHANTABILITY OR FITNESS FOR A PARTICULAR PURPOSE. HB SEALING PRODUCTS NEITHER ASSUMES NOR AUTHORIZES ANY OTHER PERSON TO ASSUME FOR IT ANY LIABILITY IN CONNECTION WITH THE SALE OF ITS PRODUCTS.

IN NO EVENT SHALL HB SEALING PRODUCTS BE LIABLE TO BUYER FOR ANY INDIRECT, SPECIAL, OR CONSEQUENTIAL DAMAGES, INCLUDING (WITHOUT LIMITATION) LOST PROFITS, COSTS OF DELAY, PERSONAL INJURY, PROPERTY DAMAGE OR LIABILITIES TO BUYER OR THIRD PARTIES ARISING FROM ANY SOURCE. THIS LIMITATION ON DAMAGES SHALL APPLY TO ALL PRODUCTS SOLD BY HB SEALING PRODUCTS, INCLUDING HERCULES BRAND PRODUCTS CYLINDERS. IN THE EVENT, THAT, NOTWITHSTANDING THE TERMS OF THIS SECTION, HB SEALING PRODUCTS IS FOUND LIABLE FOR DAMAGES BASED ON ANY DEFECT OR NONCONFORMITY IN PRODUCTS SOLD BY IT, INCLUDING HERCULES BRAND PRODUCTS CYLINDERS, ITS TOTAL LIABILITY FOR EACH DEFECTIVE OR NONCONFORMING PRODUCT SHALL NOT EXCEED THE PRICE PAID BY BUYER FOR SUCH DEFECTIVE PRODUCT.

HERCULES® BRAND PRODUCTS CYLINDER WARRANTY

HB Sealing Products herein supplies a limited express warranty to its buyers who purchase standard or custom Hercules Brand Products Cylinders ("Cylinders"). HB Sealing Products warrants that such Cylinders are free from defects in material and workmanship for a period of 12 months from the date the Cylinders are shipped from HB Sealing Products' facility. HB Sealing Products will repair or replace, at its sole option, Cylinders that are found to be defective in material or workmanship upon inspection by HB Sealing Products personnel when the Cylinders have been used under conditions for which the Cylinders were designed to operate. No warranty will be in effect for any of the following reasons:

- Chemical attack, corrosion or erosion;
- Non-compatible or dirty hydraulic fluid;
- Seal degradation due to contamination (including hydraulic fluids), excessive heat or misapplication;
- Excessive side loading;
- Maintenance or disassembly of the cylinder if performed by anyone other than HB Sealing Products personnel without HB Sealing Products' permission, prior to the date of warranty expiration;
- Removal of the HB Sealing Products ID tag indicating bore, stroke, and other information concerning traceability; or Instances of improper installation or misapplication of the Cylinders.

Due to the variety of operating conditions and applications for the Cylinders and HB Sealing Products' related products, HB Sealing Products recommends that Buyer analyze all aspects of the application and carefully select the correct cylinder product to fit the buyer's application. Buyer is solely responsible for the cylinder product selection in assessing that all performance, safety and warning requirements of the application are met. **IMPROPER CYLINDER PRODUCT SELECTION, MISAPPLIED ENGINEERING OR IMPROPER USE OF THE CYLINDERS AND RELATED PRODUCTS DESCRIBED HEREIN MAY CAUSE DEATH, PERSONAL INJURY AND /OR PROPERTY DAMAGE.** HB Sealing Products does not imply or represent that the Cylinders will work properly in any customer application. No sales agent of HB Sealing Products shall have the right to determine warranty periods, terms or conditions for Cylinders if such statements by the sales agents are different from those included herein. Buyer understands that HB Sealing Products will not be held liable for any other costs or damages including any charges for removal, installation, assembly or any other charges in connection with the replacement or repair of the Cylinders. All returned products must have, before being returned to HB Sealing Products, an "RMA" (return material authorization) number assigned to it by HB Sealing Products' customer service department.

THE WARRANTY STATED IN THIS SECTION IS HB SEALING PRODUCTS' SOLE AND EXCLUSIVE WARRANTY PERTAINING TO THE CYLINDERS, AND HB SEALING PRODUCTS HEREBY DISCLAIMS ANY OTHER WARRANTY, EXPRESS OR IMPLIED, INCLUDING, WITHOUT LIMITATION, ANY WARRANTY OF MERCHANTABILITY OR FITNESS FOR A PARTICULAR PURPOSE FOR THE CYLINDERS.

CREDIT APPLICATION



Hercules Sealing Products
420 Park Place Blvd, Suite 100
Clearwater, FL 33759 USA

CREDIT APPLICATION

Toll Free: 1-800-777-5617
International: (727)796-1300
Fax: (800)759-6391
Intl Fax: (727)797-8849
E-Mail: sales@herculesus.com

Please Indicate Type of Request:
<input type="checkbox"/> Catalog
<input type="checkbox"/> COD
<input type="checkbox"/> Credit Card
<input type="checkbox"/> Net 30

COMPANY INFORMATION

Company Name: _____
Billing Address: _____ City: _____ State: _____ Zip: _____
Shipping Address: _____ City: _____ State: _____ Zip: _____
Branch Office: _____ DBA: _____
Phone: _____ Fax: _____
Business Structure (Sole Ownership, Partnership, Corporation): _____
Type of Business: _____ Year Business Established: At current Address Since: _____
Federal ID#: _____ President/Owner SSN: _____
Owner/President: _____ Controller: _____
Accounts Payable Contact: _____ AP Email Address (Invoices will be emailed here): _____
Primary Contact Person: _____ Title: _____
Controller: _____ Annual Purchases: _____
Website: _____ E-Mail: _____

Primary Industry: Construction Mining Refuse/Waste Material Handling Aerial Lift/Crane Agriculture Oil and Gas
(Check One) Concrete/Paving Logging/Forestry Industrial Plant Automotive/Marine Rental Equipment

BANK REFERENCES

Bank Name and Address: _____
Account #: _____ Contact Name & Phone: _____

TRADE REFERENCES

Firm Name: _____ City, State: _____ Phone/Email/Fax: _____
1: _____
2: _____
3: _____

CREDIT AGREEMENT

I understand the following and will abide by your company regulations:

1. Notify Hercules Sealing Products of any changes in ownership of your company.
2. If granted credit, our company agrees to pay all invoices within 30 days of invoice date.
3. It is agreed that our company will pay 1.5% per month which is 18% yearly for all past due balances.
4. It is agreed that our account will become COD if we fail to pay invoices within the above stated terms.
5. Our company financial condition is satisfactory and we can meet all financial obligations.
6. There are no lawsuits or judgements against me at this present time. If our company defaults on payment of any outstanding valid invoices we agree to pay attorney and/or collection expenses.

Credit Amount Requested

AGREE TO PAY MY ACCOUNT WITHIN THE TERMS AND AUTHORIZE YOU TO OBTAIN SUCH INFORMATION YOU MAY REQUIRE CONCERNING THIS APPLICATION.

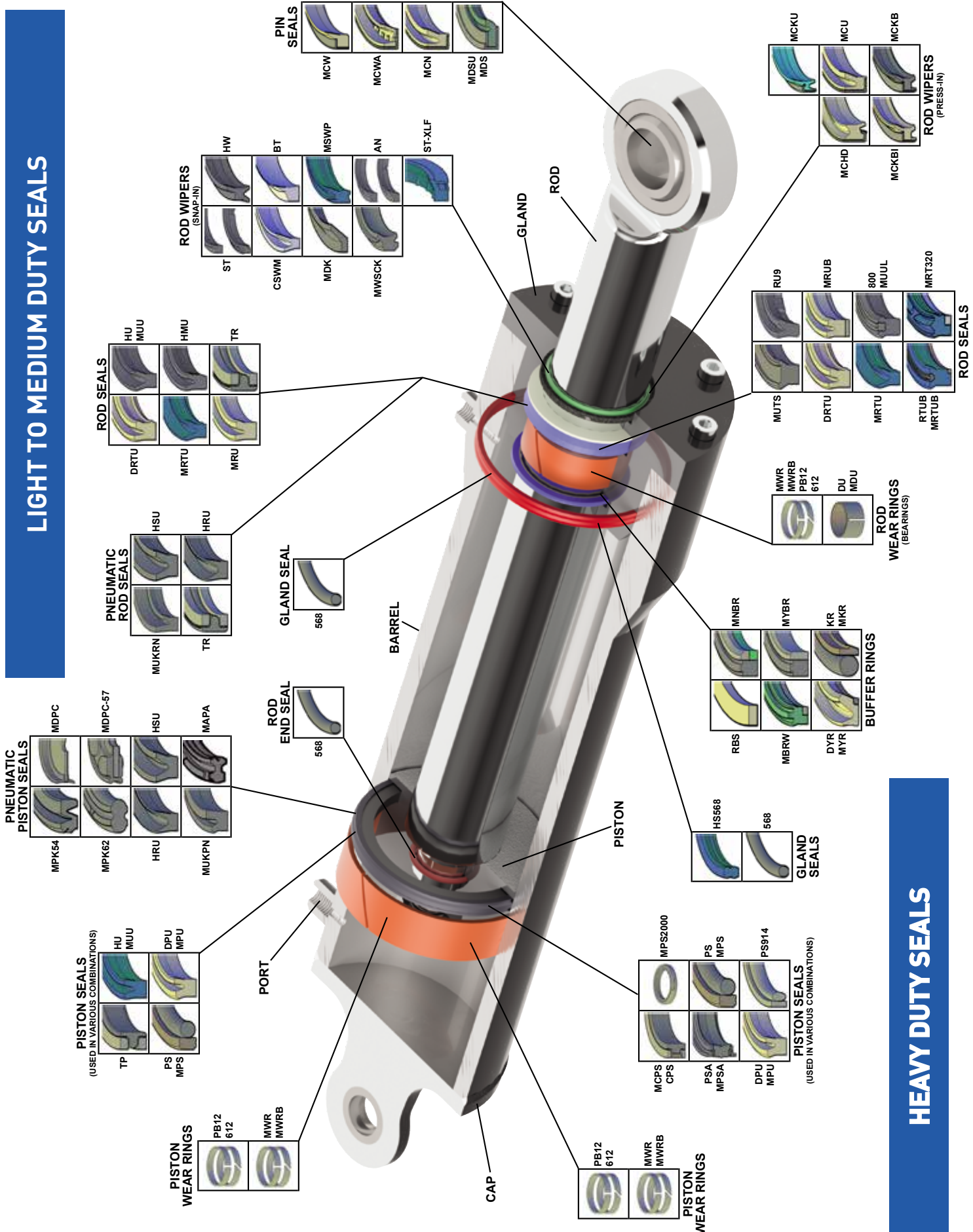
Date _____ Signed _____
X _____ Title _____
PERSONAL GUARANTEE

REFERRAL INFORMATION

How did you learn about Hercules Sealing Products? Please choose one and provide detailed information:

Trade Show: _____ Magazine: _____ Previous Employer: _____
Hercules Customer: _____ Website or Search: _____ Other: _____

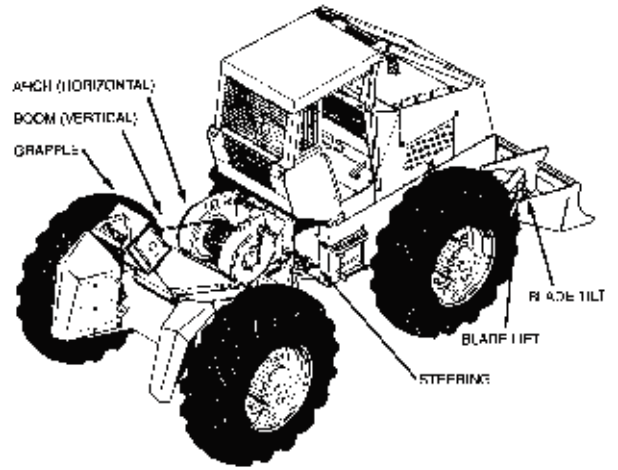
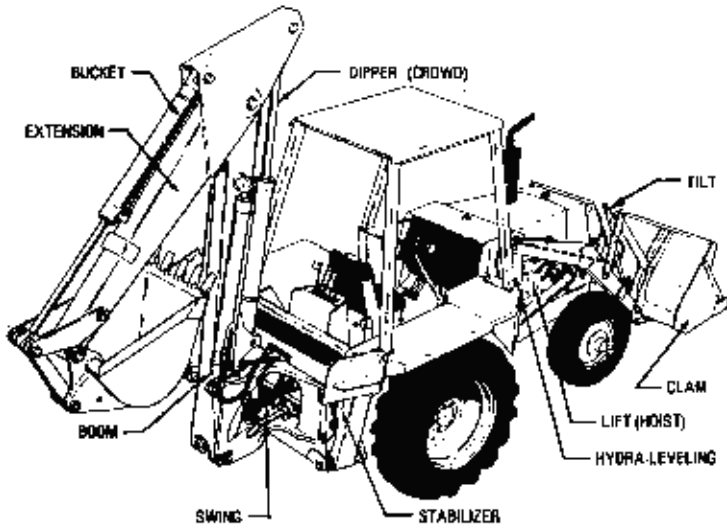
LIGHT TO MEDIUM DUTY SEALS



HEAVY DUTY SEALS

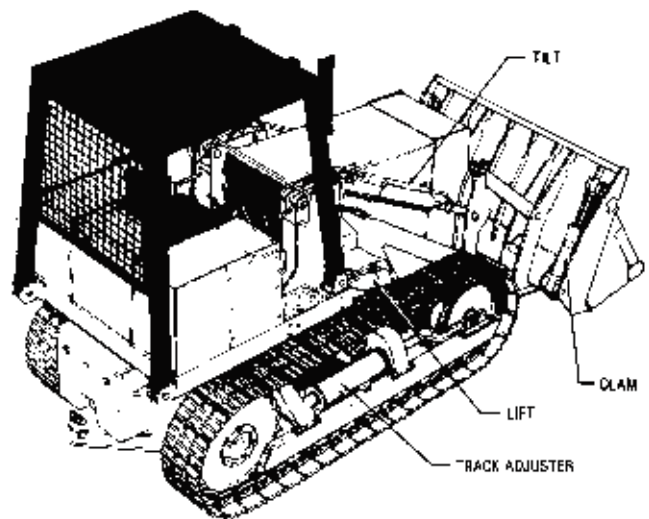
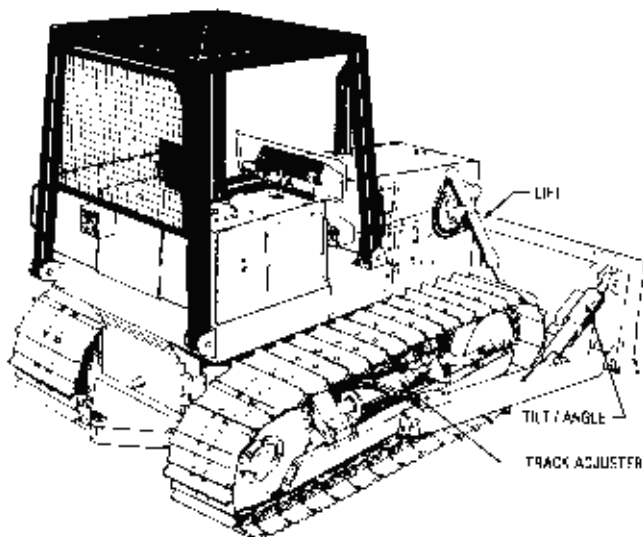
HYDRAULIC CYLINDER APPLICATIONS

BACKHOE LOADERS



LOG SKIDDERS

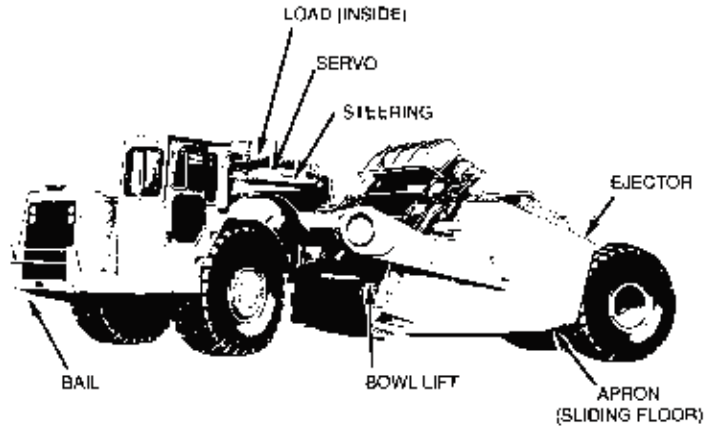
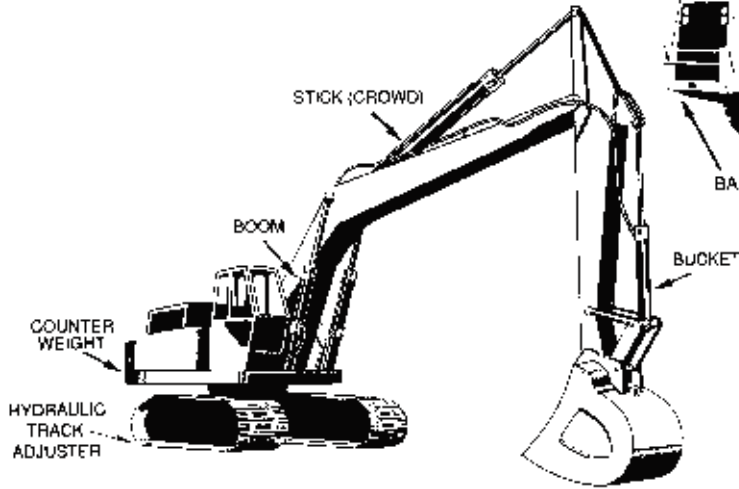
CRAWLER DOZERS



CRAWLER LOADERS

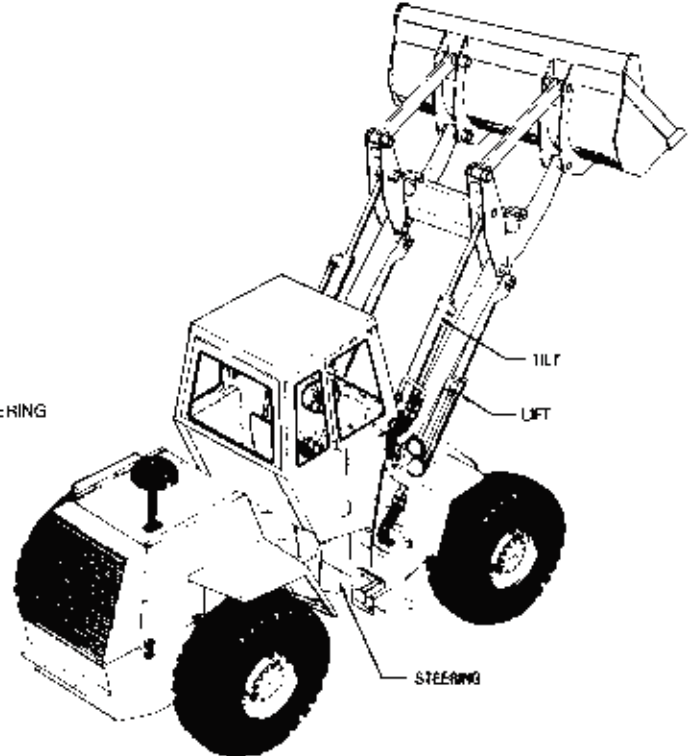
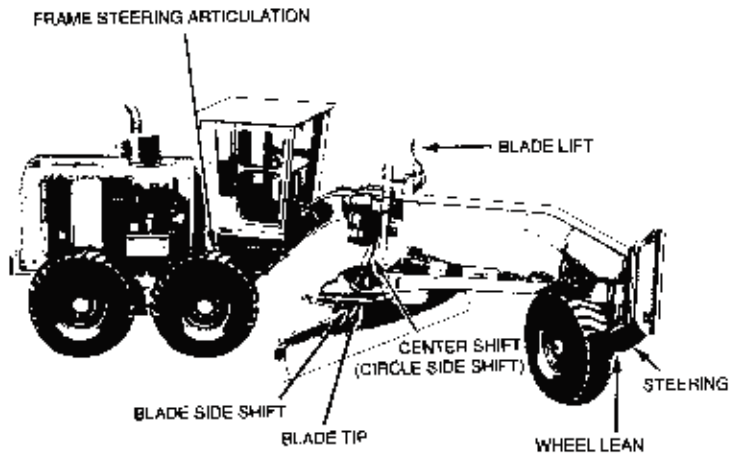
HYDRAULIC CYLINDER APPLICATIONS

EXCAVATORS



SCRAPERS

MOTOR GRADERS



WHEEL LOADERS

PRODUCT INDEX BY INDUSTRY

Repair Kits and Parts

AERIAL PERSONNEL LIFTS	PAGE #
JLG	676 - 706
Skyjack	1027
Lucky Loader	999
Mark Hi-Lift	1048
Snorkel	1027
Upright	1056

CONSTRUCTION EQUIPMENT	PAGE #
Bobcat	21 - 49
Case	56 - 96
Caterpillar®	98 - 497
Champion Motor Graders	497
Driltech	518
Dynahoe	518
Euclid Trucks	519
Fiat-Allis	520
Fontaine	524
Ford	526 - 540
Furukawa	541
Galion - Dresser	541
Grove Crane	548 - 551
Hitachi	565 - 615
Hyundai	629 - 631
Ingersoll-Rand	632
International Harvester	633 - 634
JCB	636 - 675
John Deere	709 - 804
Kato	807 - 808
Kobelco	810 - 867
Koehring	868
Komatsu	870 - 970
Kubota	972 - 984
Liebherr	988 - 997
Link Belt	999
Liugong	999
Massey Ferguson	1001
Mitsubishi	1003 - 1006
Monarch Road Machinery	1006
New Holland	1007 - 1019
Pettibone	1024
Reynolds Scraper	1025
Samsung	1025
Takeuchi	1030 - 1044
TCM	1045 - 1046
Terex	1047 - 1050
Trojan Loader	1056
Volvo	1058 - 1132
Wabco	1132
Whiteman/Conspray	1133
Yanmar	1135
Yutani	1136 - 1137

CRANES	PAGE #
Barko	19-20
Effer Cranes	518
Fassi-Crane	519
FMC	524
Grove Crane	548 - 551
Hiab	560 - 562
Hyundai	629 - 631
Lorain	999
Lucky Loader	999
P & H Cranes	1024
Prentice	1024

DUMP BODIES	PAGE #
Fruehauf	541

FORK LIFTS	PAGE #
Allis-Chalmers	18
Baker	19
Cascade	51 - 54
Champion	497
Clark	499 - 501
Crown	512
Gehl	542 - 543
Gradall	545 - 547
Hyster	628
Kalmar	805
Komatsu	870 - 970
Lull	999
Mitsubishi	1003 - 1006
Moffett	1006
Nissan	1020 - 1022
Pettibone	1024
Raymond	1025
TCM	1045 - 1046
Towmotor-Caterpillar	1053
Toyota	1054 - 1056
Whiteman	1133
Yale	1134

LIFT GATES	PAGE #
Venco	1056
Waltco	1132

PRODUCT INDEX BY INDUSTRY

Repair Kits and Parts

LOGGING EQUIPMENT	PAGE #
Barko	19-20
Bell.....	20
Case	56 - 96
Caterpillar®	98 - 497
Eaton-Yale, Timberjack.....	518
ESCO	519
Franklin.....	541
Hood	616
Husky Brute	617
Hydro-Ax.....	628
John Deere	709 - 804
Log Hog.....	999
Morbark	1006
Peerless.....	1022
Prentice	1024
Ronen	1025
Sennebogen	1026
Serco	1027
TimberJack	1051 - 1053

MINING EQUIPMENT	PAGE #
Caterpillar®	98 - 497
Euclid Trucks	519
Hitachi.....	565 - 615
Komatsu	870 - 970
Letourneau	986
Liebherr	988 - 997
Sandvik.....	1026
Terex.....	1047 - 1050
Volvo.....	1058 - 1132

MISCELLANEOUS	PAGE #
Cameco	50
Chief Cylinders	498
Cross	512
Densmore	517
Edbro Cylinders	518
Energy	518
Harsh Mfg	551
Meyer Products	1002
Pandrol Jackson.....	1021
Prince	1024
Red Lion Tie Rod Cylinders.....	1025
Skyjack	1027
Tamrock.....	1027
Upright.....	1056

PUMP & MOTOR PARTS	PAGE #
Anthony	18 - 19
Char-lynn Seal Kits.....	498
Peabody-Galion.....	1022
Perfection-Cobey.....	1022 - 1023

REFUSE EQUIPMENT	PAGE #
Dempster.....	517
Galbreath.....	541
Garwood	541
Heil	552 - 559
Leach.....	986
Loadmaster.....	999
McNeilus.....	1002
Pak-Mor.....	1022
Peabody-Galion.....	1022

TELEHANDLERS	PAGE #
Caterpillar®	98 - 497
Gehl.....	542 - 543
Gradall.....	545 - 547
JCB	636 - 675
JLG	676 - 706
Pettibone	1024

TELESCOPIC CYLINDERS	PAGE #
Anthony	18 - 19
Atlas	19
Commercial	502 - 511
Custom Hoists	513 - 517
Fontaine.....	524
Genie	544
Glencoe	544
Heil	552 - 559
Hyco	617 - 628
Hyva	632
Johnson.....	805
Marion.....	1000
Peabody-Galion.....	1022
Perfection-Cobey.....	1022 - 1023
Ward	1133

SEAL KIT IDENTIFICATION CODE CONVERSION CHART

WIPERS

I = Insert
P = Press In
N = No Wiper

ROD SEALS

O = O-Ring
OB = O-Ring & B/U
U = U-Seal
UB = U-Seal & Buffer
BB = Tandem Buffers
V = Vee Set
N = None
TR = T Seal
SP = Special
UV = U-Seals &
Vee Sets

PISTON SEALS

1 = None
2 = O-Ring
3 = O-Ring & B/U
4 = 1 U-Seal
5 = 2 U-Seals
6 = 1 Piston Cup
7 = 2 Piston Cups
8 = "SA" Vee Set
9 = "DA" Vee Set
10 = Piston Seal
11 = T Seal
12 = Cast Iron Piston Ring
13 = Special
14 = 4 Piece Capped T-Seal
15 = 5 Piece Piston Seal

ROD X BORE SIZE

EXAMPLE

<u>P</u>	-	<u>U</u>	-	<u>5</u>		<u>2</u>	X	<u>4</u>
Wiper		Rod Seal		Piston Seal		Rod		Bore

NOTE:

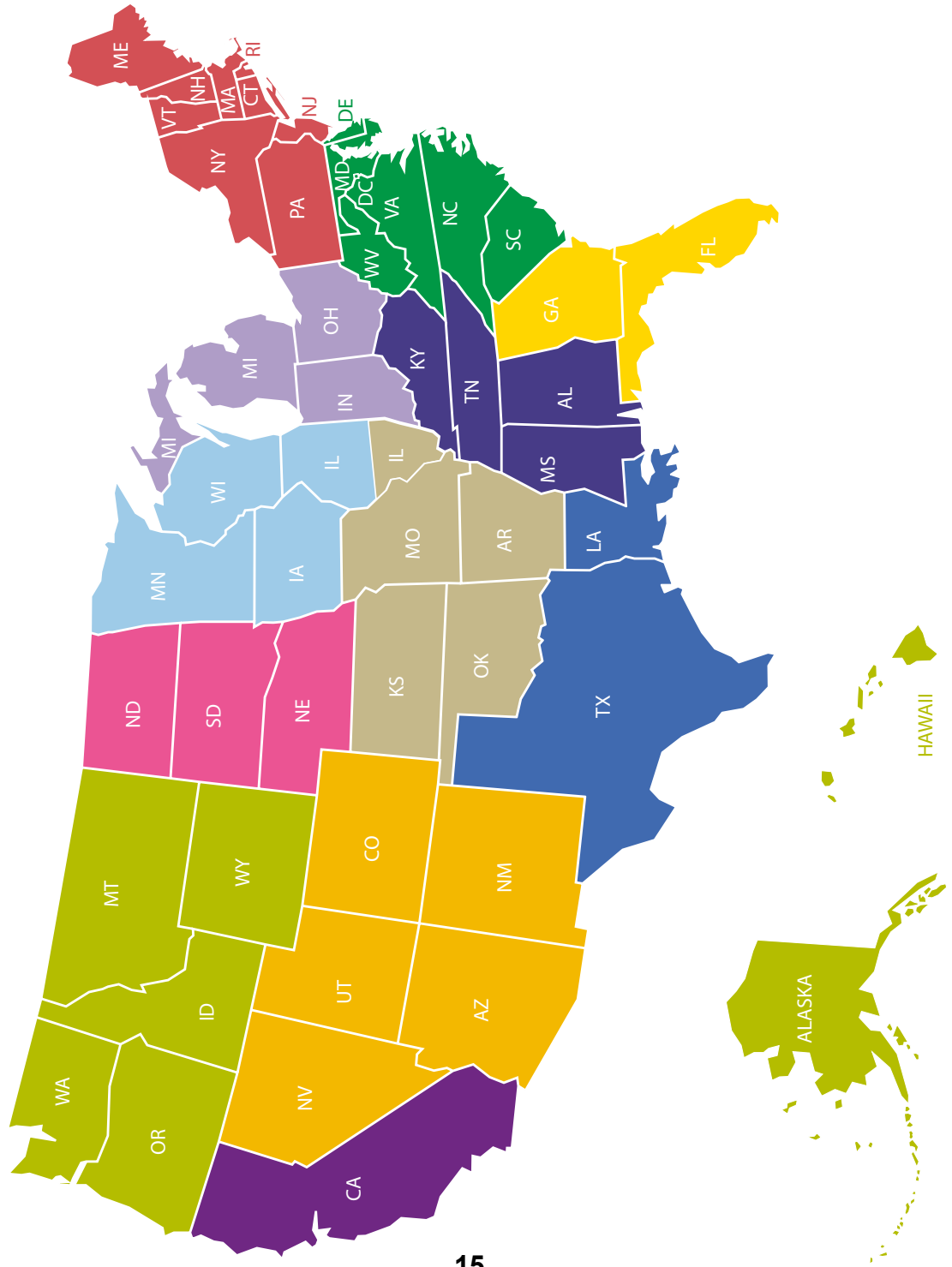
These codes were developed as an aid for kit identification. Verification can be made by calling our sales department and comparing the parts to be replaced with those offered in our kit.

REGIONAL TERRITORY MAP

- Richard Ginter**
Email: rginter@herculesus.com
Phone: 727.336.3775
- Harry Conn**
Email: hconn@herculesus.com
Phone: 804.317.1715
- Michelle Robinson**
Email: mrobinson@herculesus.com
Phone: 727.509.0268
- Ben Emtman**
Email: bemtman@herculesus.com
Phone: 727.212.1381
- Tyler Loiseau**
Email: tloiseau@herculesus.com
Phone: 727.330.0530
- Jason Looker**
Email: jlooker@herculesus.com
Phone: 727.330.0666
- Josh Saulsbury**
Email: jsaulsbury@herculesus.com
Phone: 727.386.2487
- Daniel Edmond**
Email: dedmond@herculesus.com
Phone: 727.336.3881
- Tim Lee**
Email: tlee@herculesus.com
Phone: 727.336.3467
- Darren Wallace**
Email: dwallace@herculesus.com
Phone: 727.235.9035
- Gabriel Flores**
Email: gflores@herculesus.com
Phone: 727.796.1300
- Inside Sale**
Email: sales@herculesus.com
Phone: 727.796.1300

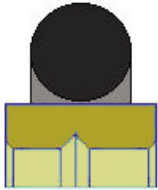
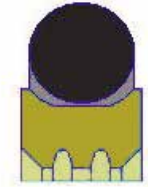
Industrial MRO Specialists

- Robbie Davis**
Email: rdavis@herculesus.com
Phone: 727.420.4340
- Greg Berlin**
Email: gberlin@herculesus.com
Phone: 727.754.0926



CUSTOM SEAL CONFIGURATOR

Fast, Easy to Use • Real Time Pricing & Availability • Dozens of Profiles to Choose From



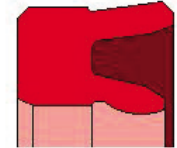
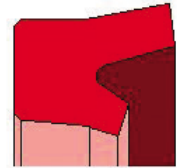
Added Features Include:

Save it to Your List

Add to Cart

Email Quote Directly to Your Customers

Order History



Go To www.HerculesUS.com
Click on Custom Seals Tab
and Create Your Custom Seal!



HERCULES SEALS ON DEMAND Custom Seal Configurator

Providing fast high quality seals in various combinations of sizes, materials, and configurations.

If we don't stock it, we'll make it!



Scan **NOW** to log in or register to customize your seal using our Seal Configurator today!

***Same day service for Next Day Air orders entered before 5:00PM**
Some exclusions may apply

Mobile Kits

CONTENTS	PAGE
A - B Allis Chalmers, Anthony, Atlas, Atlas Copco, Baker, Barko, Bell, Bobcat, Breaker Tech	18 - 50
C - D Cameco, Cascade, Case, Caterpillar, Champion, Char-Lynn, Chief, Clark, Commercial, Cross, Crown, Custom Hoists, Danfoss, Dempster, Densmore, Doosan Infracore, Drilteck, Dynahoe	50 - 518
E - F Eaton - Yale, Edbro, Effer Crane, Energy, Enerpac, Esco, Euclid, Fassi-Crane, Fiat-Allis, Fiat-Hitachi, FMC, Fontaine, Ford, Franklin, Fruehauf, Furukawa	518 - 541
G - H Galbreath, Galion - Dresser, Garwood, Gehl, Genie, Glencoe, Gradall, Grove Crane, Harsh, Heil, Hiab, Hitachi, Hood, Husky Brute, Hyco, Hydro-Ax, Hyster, Hyundai, Hyva	541 - 632
I - J Ingersoll-Rand, International Harvester, JCB, JLG, John Deere, Johnson	632 - 805
K - L Kalmar, Kato, Kobelco, Koerhing, Komatsu, Kubota, Leach, Liebherr, Liugong, Link Belt, Load Master, Log Hog, Lorain, Lucky Loader, Lull	805 - 999
M - N Manitou, Marion, Mark-Lift, Massey Ferguson, McNeilus, Meyer, Mitsubishi, Moffett, Monarch Road, Morbark, New Holland, Nissan, NPK	999 - 1021
O - P Pandrol-Jackson, Pak-Mor, Peabody Galion, Peerless, Perfection-Cobey, Pettibone, P & H Crane, Prentice, Prince	1021 - 1024
Q - R Raymond, Red Lion, Reynolds, Ronen	1025
S - T Samsung, Sandvik, Serco, Skyjack, Snorkel, Steelmaster, Sumitomo, Takeuchi, Tamrock, Terex, TMC, Timberjack, Toyota, Trojan	1025 - 1056
U - V Upright, Vanguard, Venco, Volvo	1056 - 1132
W - Z Wabco, Waltco, Ward, White, Whiteman / Conspray, Yale, Yanmar, Yutani	1132 - 1189

All manufacturer's names, part numbers and descriptions are used for reference purposes only. We do not imply that any part shown is the product of these manufacturers. We also do not imply that the list price shown is exactly that of the manufacturer.

ALLIS-CHALMERS LIFT TRUCKS

Kit Number	Code (Pg. 14)	Rod X Bore Size	List Price
AC-4751907	N-V-1	1-1/4 Rod Kit	\$143.70
AC-4787570	2 STAGE	1-7/8, 2-1/2	369.46
AC-4787619	9/16" SPOOL	9/16" Spool	17.36
AC-4885085	1 HALF RING	2-1/4 Rod Bearing	5.84
AC-4905170		3/4 Shaft Kit	98.87
AC-4906087	I-U-4	3 X 3-1/2	101.87
AC-4906099	I-U-1	2-1/4 X 2-3/4	159.57
AC-4906100	I-U-1	2-1/4 X 2-3/4	61.94
AC-4906322	I-U-11	1-1/4 X 3	46.00
AC-4906332	I-U-11	1-1/4 X 3	50.78
AC-4906336	I-U-11	1-1/2 X 3-3/4	69.84
AC-4906380	I-U-1	1-3/4 X 2-1/4	38.56
AC-4906390	I-U-1	2-5/8 X 3-1/4	42.29
AC-4906391	I-U-4	3-3/4 X 4-1/4 w/ feed tube	270.09
AC-4906392	I,P-U-1	3-3/4 X 4-1/4	118.47
AC-4906396	I-U-11	1-3/4 X 4-7/8	110.79
AC-4907400		Pump Kit	21.09
AC-4907419	I-U-11	1-1/8 X 2-1/4	46.76
AC-4907474	P-U-1	4 X 4-1/2 w/ feed tube	140.08
AC-4907475	P-U-1	3-1/2 X 4-1/4	98.49
AC-4908297	I-O-3	1 X 2-1/2	26.52
AC-4908540	P-U-1	5 X 5-1/2	162.39
AC-4908541	P-U-1	5 X 5-1/2 w/ feed tube	207.94
AC-4908555	I-O-3	3/4 X 1-1/2	13.73
AC-4908917	I-U-1	3-1/4 X 3-3/4	64.84
AC-4908980	7/8" SPOOL	7/8" Spool	19.78
AC-4909028	I-O-3	1-1/4 X 3-1/2	22.00
AC-4909035	I-O-11	1-1/2 X 2-1/2	85.08
AC-4910116	I-O-11	7/8 X 2	36.57
AC-4910977	9/16" SPOOL	9/16" Spool	14.33
AC-4911398	I-U-4	2 X 3 2 Cylinders	67.21
AC-4912036	I,P-U-1	1, 2-1/4, 3 Stages	174.75
AC-4912039	I-U-11	1-1/8 X 2-1/4	55.75
AC-4912322	I,P-U-1	1, 1-3/4, 2-3/8 Stages	174.37
AC-4912359	P-U-1	3 X 3-1/2	75.52
AC-4913028	P-U-11	7/8 X 2	64.75
AC-4913075	P-U-1	3-3/4 X 4-1/4 w/ feed tube	267.10
AC-4913486	P-U-1	2-1/2 X 3	86.66
AC-4914879	I-U-1	2-3/4 X 3-1/2	57.76
AC-4914917		1-7/8, 2-5/8	159.66
AC-4917136	I-U-10	2-1/4 X 3	102.60
AC-4917655	I-U-4	1-3/4 X 2-1/4	57.38
AC-4918325	I-U-4	1 X 2	57.53
AC-4918585	I-U-1	1-1/2 X 2-1/4	44.39
AC-4932484	I-SP-1	35 mm Rod Kit	22.80
AC-4942582	I-U-1	30 x 55 mm	48.83
AC-4991278	I-OB-3	1-1/8 X 2-1/4	27.62
AC-4992550	N-TR-1	7/8 Rod Only	11.05
AC-4992855	I-V-6	1-1/2 X 3-3/4	141.85
AC-4993273	I-V-6	1-1/4 X 3	124.58
AC-4993661	I-V-6	1-3/4 X 4-7/8	147.37
AC-4998712	I-N-V	3-5/8 X 4-1/4	138.13
AC-78762688	I-U-1	4-1/8 Rod Kit	141.48

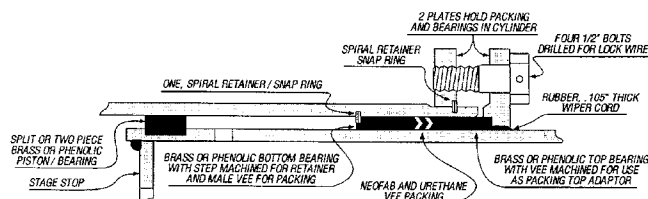
ANTHONY TELESCOPIC CYLINDERS

PACKING: Vee packing - no top or bottom adaptors.
 WIPERS: Special wiper strip
 BEARINGS: Top is bronze and serves as top adaptor for vee packing and is machined on top edge o.d. to mate with retainer flange. Bottom is phenolic and serves as bottom adaptor and is machined on bottom o.d. edge to pilot over retainer ring.

SPECIAL INFO. Unique bearing and packing retaining arrangement on each stage consisting of two external flanges which bolt together to retain top bearing. Internal stop is spiral retaining ring.

STAGE O.D.'s: 2.475, 3.475, 4.475, 5.475, 6.475

ANTHONY



Part Number	Description	List Price
PACKING AND WIPERS		
ANY-S108002W	6-1/2" Vee Set & Wiper	\$170.61
ANY-S108003W	5-1/2" Vee Set & Wiper	79.29
ANY-S108004W	4-1/2" Vee Set & Wiper	70.17
ANY-S108005W	3-1/2" Vee Set & Wiper	68.52
ANY-S108006W	2-1/2" Vee Set & Wiper	61.87
BEARINGS		
ANY-S107022	6-1/2" Bottom Bearing	\$276.90
ANY-S107023	5-1/2" Bottom Bearing	251.59
ANY-S107024	4-1/2" Bottom Bearing	303.63
ANY-S107025	3-1/2" Bottom Bearing	140.42
INTERNAL RETAINERS		
ANY-S084005	Internal Spiral Retainer for 3" ID	\$9.70
ANY-S084017	Internal Spiral Retainer for 4" ID	77.92
ANY-S084018	Internal Spiral Retainer for 5" ID	77.92
ANY-S084019	Internal Spiral Retainer for 6" ID	78.88

ALLIS-CHALMERS - ANTHONY

ANTHONY TELESCOPIC CYLINDERS

Part Number	Description	List Price
EXTERNAL RETAINERS		
ANY-S084012	External Spiral Retainer for 3-1/2" OD	\$18.50
ANY-S084013	External Spiral Retainer for 4-1/2" OD	32.51
ANY-S084021	External Spiral Retainer for 6-1/2" OD	101.44
ANY-S084022	External Spiral Retainer for 5-1/2" OD	96.67
ANY-S084024	External Spiral Retainer for 7-1/2" OD	84.33
ANTHONY REPLACEMENT CYLINDER KIT		
CH-57	Custom #73-81-114, 129, 149	\$170.02

ANTHONY PUMP PARTS

Part Number	Description	List Price
ANY-A143031	Bearing	\$77.13

ATLAS TELESCOPIC CYLINDERS

Kit Number	Description	List Price
ATL-15-517	6-1/2" Piston Bearing	\$8.97
ATL-15-572	4-1/2" Piston Bearing	6.85
ATL-15-573	5-1/2" Piston Bearing	6.85
ATL-15-614	3-1/2" Piston Bearing	6.40
ATL-15-616	3" Packing, Bearings, Wiper	148.32
ATL-15-617	4" Packing, Bearings, Wiper	161.39
ATL-15-618	5" Packing, Bearings, Wiper	170.74
ATL-15-620	7" Packing, Bearings, Wiper	330.27
ATL-15-621	8" Packing, Bearings, Wiper	338.63

ATLAS COPCO

Kit Number	Code (Pg. 14)	Rod X Bore Size	List Price
ATC-5541334300	P-UB-10	3 X 7	\$132.98
ATC-5541336900	P-UB-10	2 X 5	86.49
ATC-3218200686	P-UB-14	50 X 125 mm	206.51
ATC-3218200693	P-UB-14	80 X 180 mm	637.49

BAKER-HUGHES

Part Number	Code (Pg. 14)	Description	List Price
BKH-H034468600	O-rings	Size 20 E4 kit, no disk	\$76.50
BKH-H034468700	O-rings	Size 10 E4 kit, no disk	71.40

BAKER LIFT TRUCKS

Repair parts for Baker Lift Trucks are available online at www.HerculesUS.com, in the Industrial Catalog or by contacting the Hercules Sales Team at the information provided below.

BARKO

Kit Number	Code (Pg. 14)	Rod X Bore Size	List Price
BK-65489	6" PISTON KIT		\$126.70
BK-65490	I-U-3	2-1/2 X 6	75.76
BK-65500K	P-OB-12	1-3/4 X 5	62.94
BK-65501	P-OB-12	2 X 5	117.68
BK-65512	P-OB-12	1-1/2 X 3-1/2	42.34
BK-65514	P-OB-10, 12	2 X 5	125.09
BK-65515	P-OB-10, 12	2-1/2 X 6	79.15
BK-65523	I-U-5	3 X 7	194.24
BK-65524	I, P-U-5	2-1/2 X 6	183.54
BK-65525	I, P-U-5	2 X 5	157.53
BK-65531	I, P-U-5	2 X 3-1/2	88.53
BK-65532	4-1/2" SWIVEL KIT		135.34
BK-65533	I-P-U-5	2 X 3-1/2	73.61
BK-65536	I-U-5	3 X 6	199.96
BK-65537	I, P-U-5	3 X 6	175.46
BK-65576	3-1/2" SWIVEL KIT		21.18
BK-65578	6" SWIVEL KIT		62.94
BK-65583	I-U-5	4 X 7	212.00
BK-65586	I-U-5	2-1/2 X 5	124.17
BK-65588	5" SWIVEL KIT		89.29
BK-55200013	O-RING KIT		11.40
BK-55200099	1-7/8 SWIVEL KIT		93.06
BK-55200277	I-U-10	2 X 3-1/2	55.19
BK-55200418	I-U-10	2 X 3-1/2	71.42
BK-55200420	I-U-10	2-1/2 X 4-1/2	120.47
BK-55200492	O-RING KIT		8.18

BARKO (Continued)

Kit Number	Code (Pg. 14)	Rod X Bore Size	List Price
BK-55200499	I-U-14	2 X 4	\$203.90
BK-55200616	P-UB-14	2-1/2 X 6	337.67
BK-55200617	P-UB-14	3 X 7	337.82
BK-55200636	P-UB-3	3 X 7	120.64
BK-55200637	P-UB-3	2-1/2 X 6	133.67
BK-55200641	P-UB-14	3 X 6	321.91
BK-55200659	P-UB-10	3 X 6	191.74
BK-55200660	P-UB-10	3 X 7	227.99
BK-55200668	P-U-10	2 X 3-1/2	85.01
BK-55200689	P-UB-10	2-1/2 X 6	205.20
BK-55200796	P-UB-10	2-1/2 X 4-1/2	164.99
BK-55200810	P-U-10	2-1/2 X 4-1/2	114.34
BK-55600600	8" SWIVEL KIT		604.67
BK-55600673	O-RING KIT		5.88
BK-55600711	N-U-10	3 X 3-1/2	82.11
BK-55600721	N-U-10	3 X 6	156.84
BK-55600953	P-UB-14	3-1/2 X 6	345.42
BK-55601043	I-UB-14	4 X 7	448.79
BK-56101153	P-UB-14	3-1/2 X 6	299.17
BK-56500242	7" SWIVEL KIT		505.98
BK-565002435	3 1/2" SWIVEL KIT		117.73
BK-56500489	N-N-7	6 PISTON KIT	126.70
BK-56500490	I-U-3	2-1/2 X 6	75.76

Kit Number	Code (Pg. 14)	Rod X Bore Size	List Price
BK-56500500	P-OB-12	1-3/4 X 5	\$62.94
BK-56500501	P-OB-12	2 X 5	117.68
BK-56500512	P-OB-12	1-1/2 X 3-1/2	42.34
BK-56500514	P-OB-10,12	2 X 5	125.09
BK-56500515	P-OB-10,12	2-1/2 X 6	79.15
BK-56500523	I-U-5	3 X 7	194.24
BK-56500524	I-U-5	2-1/2 X 6	183.54
BK-56500525	I, P-U-5	2 X 5	157.53
BK-56500531	I, P-U-5	2 X 3-1/2	88.53
BK-56500532	4-1/2" SWIVEL KIT		135.34
BK-56500533	I, P-U-5	2 X 3-1/2	73.61
BK-56500536	I-U-5	3 X 6	199.96
BK-56500537	I, P-U-5	3 X 6	175.46
BK-56500541	N-N-10	6" SWIVEL KIT	204.72
BK-56500576	3-1/2" SWIVEL KIT		21.18
BK-56500578	6" SWIVEL KIT		62.94
BK-56500583	I-U-5	4 X 7	212.00
BK-56500586	I-U-5	2-1/2 X 5	124.17
BK-56500588	5" SWIVEL KIT		109.04
BK-55201626	I-U-15	80 X 125	136.24
BK-55201627	I-U-15	63 X 125	140.19
BK-55201628	I-U-10	50 X 75	108.55
BK-55201773	I-UB-10	90 X 150	283.67

Replacement Kits For

BELL

Forestry - Tree Harvesters

APPLICATION	CYL #	CODE	ROD	BORE	KIT #	List \$
MODEL SUPER T,ULTRA T						
BOOM	230057	P-U-15	50 mm	100 mm	BELL-140575	142.12
GRAB	230058	P-U-15	50 mm	100 mm	BELL-140575	142.12
SAW FEED	230105	P-U-15	1-1/4	63 mm	BELL-140311	93.33
SHEARHEAD ACCUMULATOR	230093	P-U-15	1-1/4	63 mm	BELL-140311	93.33
SHEARHEAD CUT--6"	230134	P-U-10	70 mm	150 mm	BELL-140309	275.67
SHEARHEAD GRAB	230093	P-U-15	1-1/4	63 mm	BELL-140311	93.33
SKIDDING	230106	P-U-15	50 mm	100 mm	BELL-140575	142.12
TILT	230104	P-U-15	1-1/4	63 mm	BELL-140311	93.33

BELL

Kit Number	Code (Pg. 14)	Rod X Bore Size	List Price
BELL-140138	P-U-13	50 X 100 mm	\$142.12
BELL-140309	P-U-10	70 X 150 mm	275.67
BELL-140311	P-U-15	1-1/4 X 63 mm	93.33
BELL-140575	P-U-15	50 X 100 mm	142.12

BOBCAT

Replacement Kits For

BOBCAT

Backhoe Attachments							
APPLICATION	CYL #	SERIAL #	CODE	ROD	BORE	KIT #	List \$
MODEL 607							
BOOM			I-U-10	1-1/2	3	BCK-6587989	48.38
DIPPER			I-U-10	1-1/2	3	BCK-6587989	48.38
LOCK			I-U-10	1	2	BCK-6589064	59.38
TILT			I-U-10	1-1/2	3	BCK-6587989	48.38
MODEL 709							
BOOM			I-U-10	1-1/2	3-1/4	BCK-6661308	34.10
LOCK			I-U-10	1	2	BCK-6589064	59.38
STABILIZER			I-U-10	1-1/2	3-1/4	BCK-6661308	34.10
TILT			I-U-10	1-1/2	3	BCK-6587989	48.38
MODEL 811							
DIPPER			I-U-10	1-3/4	3-1/2	BCK-6596126	46.25
LOCK			I-U-10	1	2	BCK-6589064	59.38
TILT			I-U-10	1-1/2	3	BCK-6587989	48.38
MODEL 905							
LOCK			I-U-10	1	2	BCK-6589064	59.38
STABILIZER			I-U-10	1	2	BCK-6587790	25.50
TILT			I-U-10	1-1/2	3	BCK-6587989	48.38
MODEL 907							
BUCKET			I-U-10	1-1/2	3	BCK-6587989	48.38
DIPPER			I-U-10	1-1/2	3	BCK-6587989	48.38
LOCK			I-U-10	1	2	BCK-6589064	59.38
STABILIZER			P-OB-3	1	2	BCK-6598343	21.91
TILT			I-U-10	1-1/2	3	BCK-6587989	48.38
MODEL 908A							
LOCK			I-U-10	1	2	BCK-6589064	59.38
STABILIZER			P-OB-3	1	2	BCK-6598343	21.91
TILT			I-U-10	1-1/2	3	BCK-6587989	48.38
MODEL 908B							
LOCK			I-U-10	1	2	BCK-6589064	59.38
STABILIZER			P-OB-3	1	2	BCK-6598343	21.91
TILT			I-U-10	1-1/2	3	BCK-6587989	48.38
MODEL 909							
BOOM			I-U-10	1-1/2	3-1/4	BCK-6661297	27.76
DIPPER			P-OB-3	1	2	BCK-6598343	21.91
LOCK			I-U-10	1	2	BCK-6589064	59.38
TILT			I-U-10	1-1/2	3	BCK-6587989	48.38
MODEL 910							
LOCK			I-U-10	1	2	BCK-6589064	59.38
TILT			I-U-10	1-1/2	3	BCK-6587989	48.38
MODEL 911							
LOCK			I-U-10	1	2	BCK-6589064	59.38
TILT			I-U-10	1-1/2	3	BCK-6587989	48.38
MODEL 913							
DIPPER			I-U-10	1-1/2	3	BCK-6803272	41.13
LOCK			I-U-10	1	2	BCK-6589064	59.38
STABILIZER			I-U-10	1-1/2	3-1/4	BCK-6661298	58.76
			I-U-10	1	2	BCK-6589064	59.38
TILT			I-U-10	1-1/2	3	BCK-6587989	48.38
MODEL 914							
LOCK			I-U-10	1	2	BCK-6589064	59.38
TILT			I-U-10	1-1/2	3	BCK-6587989	48.38
MODEL 914A							
LOCK			I-U-10	1	2	BCK-6589064	59.38
SWING			P-UB-9	2	4	BCK-6519428	88.19
TILT			I-U-10	1-1/2	3	BCK-6587989	48.38

Replacement Kits For

BOBCAT

Backhoe Attachments							
APPLICATION	CYL #	SERIAL #	CODE	ROD	BORE	KIT #	List \$
MODEL 914B							
BUCKET			I-U-10	2	3-1/2	BCK-6588059	67.14
LOCK			I-U-10	1	2	BCK-6589064	59.38
TILT			I-U-10	1-1/2	3	BCK-6587989	48.38
Excavators							
APPLICATION	CYL #	SERIAL #	CODE	ROD	BORE	KIT #	List \$
MODEL 220							
ARM			I-U-10	1-3/8	2-3/8	BCK-6661047	36.13
BLADE			I-U-10	1-3/8	2-3/8	BCK-6661047	36.13
BOOM			I-U-10	1-3/8	2-3/8	BCK-6661047	36.13
BUCKET			I-U-10	1-3/8	2-3/8	BCK-6661047	36.13
SWING			I-U-10,12	1-3/8	2-3/8	BCK-6661046	113.80
VALVE-3 SPOOL			VALVE KIT			BCK-6661328	29.99
VALVE-6 SPOOL			O-RING KIT			BCK-6656283	6.48
MODEL 231							
ARM			I-U-10	1-3/4	3	BCK-6804603	57.54
BLADE			I-U-10	1-3/4	3-1/2	BCK-6661052	35.64
BOOM			I-U-10	1-3/4	3-1/4	BCK-6661051	33.95
BUCKET			I-U-10	2	3-1/4	BCK-6810470	68.31
SWING			I-U-10	1-1/2	3	BCK-6661053	34.86
VALVE			O-RING KIT			BCK-6660750	6.63
MODEL 320							
ARM	6810414	224511001 - UP	I-U-10	1-1/2	2-3/8	BCK-6816534	42.52
BLADE	6816479	224511001 - UP	I-U-10	1-3/8	2-3/8	BCK-6809571	41.93
BOOM	6812505	224511001 - UP	I-U-10	1-3/8	2-3/8	BCK-6809571	41.93
BUCKET	6803038	224511001 - UP	I-U-10	1-1/2	2-1/4	BCK-6803325	44.54
SWING	6810486	224511001 - UP	I-U-10	1-1/4	3-1/4	BCK-6808225	36.94
TRACK EXPANSION	6810471	224511001 - UP	I-U-10	1	2	BCK-6589818	41.80
MODEL 320D							
ARM	6810414	223811001 - UP	I-U-10	1-1/2	2-3/8	BCK-6816534	42.52
BLADE	6810615	223811001 - UP	I-U-10	1-3/8	2-3/8	BCK-6803281	57.11
	6816479	223811001 - UP	I-U-10	1-3/8	2-3/8	BCK-6809571	41.93
BUCKET	6803038	223811001 - UP	I-U-10	1-1/2	2-1/4	BCK-6803325	44.54
CLAMP	6810475	223811001 - UP	I-U-10	1	2	BCK-6803474	31.68
SWING	6807167	223811001 - UP	I-U-10	1-1/4	3-1/4	BCK-6801183	36.57
	6810486	223811001 - UP	I-U-10	1-1/4	3-1/4	BCK-6808225	36.94
MODEL 320G							
BLADE	6810615	223911001 - UP	I-U-10	1-3/8	2-3/8	BCK-6803281	57.11
	6816479	223911001 - UP	I-U-10	1-3/8	2-3/8	BCK-6809571	41.93
BUCKET	6803038	223911001 - UP	I-U-10	1-1/2	2-1/4	BCK-6803325	44.54
SWING	6807167	223911001 - UP	I-U-10	1-1/4	3-1/4	BCK-6801183	36.57
	6810486	223911001 - UP	I-U-10	1-1/4	3-1/4	BCK-6808225	36.94
MODEL 322D							
BLADE	6810615	223511001 - UP	I-U-10	1-3/8	2-3/8	BCK-6803281	57.11
	6816479	223511001 - UP	I-U-10	1-3/8	2-3/8	BCK-6809571	41.93
BOOM	6812505	223511001 - UP	I-U-10	1-3/8	2-3/8	BCK-6809571	41.93
BUCKET	6803038	223511001 - UP	I-U-10	1-1/2	2-1/4	BCK-6803325	44.54
SWING	6807167	223511001 - UP	I-U-10	1-1/4	3-1/4	BCK-6801183	36.57
	6810486	223511001 - UP	I-U-10	1-1/4	3-1/4	BCK-6808225	36.94
MODEL 322G							
BLADE	6810615	224011001 - UP	I-U-10	1-3/8	2-3/8	BCK-6803281	57.11
	6816479	224011001 - UP	I-U-10	1-3/8	2-3/8	BCK-6809571	41.93
BUCKET	6803038	224011001 - UP	I-U-10	1-1/2	2-1/4	BCK-6803325	44.54
SWING	6807167	224011001 - UP	I-U-10	1-1/4	3-1/4	BCK-6801183	36.57
	6810486	224011001 - UP	I-U-10	1-1/4	3-1/4	BCK-6808225	36.94

BOBCAT

Replacement Kits For

BOBCAT

BOBCAT

Excavators							
APPLICATION	CYL #	SERIAL #	CODE	ROD	BORE	KIT #	List \$
MODEL 323							
BLADE	6816479	562411001 - UP	I-U-10	1-3/8	2-3/8	BCK-6809571	41.93
BOOM	6812505	562411001 - UP	I-U-10	1-3/8	2-3/8	BCK-6809571	41.93
BUCKET	6803038	562411001 - UP	I-U-10	1-1/2	2-1/4	BCK-6803325	44.54
SWING	6810486	562411001 - UP	I-U-10	1-1/4	3-1/4	BCK-6808225	36.94
TRACK EXPANSION	6810471	562411001 - UP	I-U-10	1	2	BCK-6589818	41.80
MODEL 325G							
ARM	6810745	234111001 - UP	I-U-10	1-1/2	3	BCK-6816325	56.94
BLADE	6597371	234111001 - UP	I-U-10	1-1/2	2-3/4	BCK-6589786	40.86
BOOM	6810495	234111001 - UP	I-U-10	1-5/8	3	BCK-6816536	54.84
BUCKET	6808617	234111001 - UP	I-U-10	1-3/8	2-1/2	BCK-6806862	41.45
CLAMP	6817386	234111001 - UP	I-U-10	1-1/2	2-1/4	BCK-6816535	43.96
SWING	6809857	234111001 - UP	I-U-10	1-3/8	2-3/8	BCK-6809571	41.93
MODEL 328G							
ARM	6810745	234211001 - UP	I-U-10	1-1/2	3	BCK-6816325	56.94
BLADE	6597371	234211001 - UP	I-U-10	1-1/2	2-3/4	BCK-6589786	40.86
BOOM	6810495	234211001 - UP	I-U-10	1-5/8	3	BCK-6816536	54.84
BUCKET	6808617	234211001 - UP	I-U-10	1-3/8	2-1/2	BCK-6806862	41.45
CLAMP	6817386	234211001 - UP	I-U-10	1-1/2	2-1/4	BCK-6816535	43.96
SWING	6809857	234211001 - UP	I-U-10	1-3/8	2-3/8	BCK-6809571	41.93
MODEL 329							
ARM	6817188	A2PG1101	I-U-10	1-3/4	3-1/4	BCK-6815085	62.51
BLADE	6597350	A2PG1101	I-U-10	1-3/4	3-1/2	BCK-6803314	47.67
BOOM	7126322	A2PG1101	I-U-10	1-3/4	3-1/4	BCK-6815085	62.51
BUCKET	6812165	A2PG1101	I-U-10	2	3-1/4	BCK-6810470	68.31
CLAMP	6817386	A2PG1101	I-U-10	1-1/2	2-1/4	BCK-6816535	43.96
SWING	6816319	A2PG1101	I-U-10	1-1/2	3	BCK-6816325	56.94
MODEL 331							
ARM	6810565	232511001 - UP	I-U-10	1-3/4	3	BCK-6810719	57.42
	6817188	232511001 - UP	I-U-10	1-3/4	3-1/4	BCK-6815085	62.51
BLADE	6597350	232511001 - UP	I-U-10	1-3/4	3-1/2	BCK-6803314	47.67
BOOM	6814980	232513729, 232711597 & 232612761 & Above	I-U-10	1-3/4	3-1/4	BCK-6815085	62.51
CLAMP	6817386	232511001 - UP	I-U-10	1-1/2	2-1/4	BCK-6816535	43.96
EXT ARM	6810433	232511001 - UP	I-U-10	1-1/2	2-1/4	BCK-6816535	43.96
SWING	6814862	232511001 - UP	I-U-10	1-1/2	3	BCK-6816325	56.94
MODEL 331, 331E, 334							
ARM	6810563		I-U-10	1-3/4	3	BCK-6804603	57.54
	6810565		I-U-10	1-3/4	3	BCK-6810719	57.42
	6817188		I-U-10	1-3/4	3-1/4	BCK-7137963	62.51
	7148240		I-U-10	1-3/4	3	BCK-6810719	57.42
	7156131		I-U-10	1-1/2	2-3/4	BCK-7162062	75.25
	7166446		I-U-10	1-1/2	2-3/4	BCK-7162062	75.25
ARM (Extendable)	6805399		I-U-10	1-1/2	2-1/4	BCK-7135557	55.41
	6810433		I-U-10	1-1/2	2-1/4	BCK-7135557	55.41
BLADE	6597350		I-U-10	1-3/4	3-1/2	BCK-7138009	47.67
BOOM	6806214		I-U-10	1-3/4	3-1/4	BCK-7137965	63.60
	6814980		I-U-10	1-3/4	3-1/4	BCK-7137963	62.51
	7148239		I-U-10	1-3/4	3-1/4	BCK-7156581	62.51
	7148522		I-U-10	1-3/4	3	BCK-7162061	75.84
	7156133		I-U-10	1-3/4	3	BCK-7162061	75.84
	7156579		I-U-10	1-3/4	3-1/4	BCK-7162060	62.51
BUCKET	6806102		I-U-10	2	3-1/4	BCK-7137966	59.70
	6812165		I-U-10	2	3-1/4	BCK-7137966	59.70
	7110562		I-U-10	1-3/4	2-3/4	BCK-7137935	47.50
	7147899		I-U-10	2	3-1/4	BCK-7137966	59.70

FORMERLY LISTED REPAIR PARTS ARE AVAILABLE ONLINE AT WWW.HERCULESUS.COM OR BY CONTACTING YOUR REGIONAL HERCULES SALES TEAM.

Replacement Kits For

BOBCAT

Excavators							
APPLICATION	CYL #	SERIAL #	CODE	ROD	BORE	KIT #	List \$
MODEL 331, 331E, 334							
BUCKET	7148457		I-U-10	1-3/4	2-3/4	BCK-7137935	47.50
CLAMP	6805607		I-U-10	1-1/2	2-3/4	BCK-6803268	51.90
	6817386		I-U-10	1-1/2	2-1/4	BCK-7135557	55.41
SWING	6806125		I-U-10	1-1/2	3	BCK-7135547	55.00
	6814862		I-U-10	1-1/2	3	BCK-6816325	56.94
	6816319		I-U-10	1-1/2	3	BCK-7135547	55.00
MODEL 337G							
ARM	6818248	234611001 - UP	I-U-10	2-1/4	3-1/2	BCK-6817081	136.20
BLADE	6815923	234611001 - UP	I-U-10	1-3/4	3-1/4	BCK-6816533	63.60
BOOM	6818252	234611001 - UP	I-U-10	2-1/4	4	BCK-6817183	157.63
BUCKET	6818255	234611001 - UP	I-U-10	2	3-1/4	BCK-6810470	68.31
CLAMP	6808069	234611001 - UP	I-U-10	2	2-3/4	BCK-6810717	82.84
SWING	6818258	234611001 - UP	I-U-10	2	3-1/4	BCK-6818161	69.37
MODEL 337WG							
ARM	6818248	235111001 - UP	I-U-10	2-1/4	3-1/2	BCK-6817081	136.20
	6818248	529111001 - UP	I-U-10	2-1/4	3-1/2	BCK-6817081	136.20
	6818248	529511001 - UP	I-U-10	2-1/4	3-1/2	BCK-6817081	136.20
BLADE	6815953	235111001 - UP	I-U-10	1-3/4	3-1/4	BCK-6816533	63.60
	6815953	529511001 - UP	I-U-10	1-3/4	3-1/4	BCK-6816533	63.60
BOOM	6818252	235111001 - UP	I-U-10	2-1/4	4	BCK-6817183	157.63
	6818252	529111001 - UP	I-U-10	2-1/4	4	BCK-6817183	157.63
	6818252	529511001 - UP	I-U-10	2-1/4	4	BCK-6817183	157.63
BUCKET	6818255	235111001 - UP	I-U-10	2	3-1/4	BCK-6810470	68.31
	6818255	529111001 - UP	I-U-10	2	3-1/4	BCK-6810470	68.31
	6818255	529511001 - UP	I-U-10	2	3-1/4	BCK-6810470	68.31
CLAMP	6808069	235111001 - UP	I-U-10	2	2-3/4	BCK-6810717	82.84
	6808069	529111001 - UP	I-U-10	2	2-3/4	BCK-6810717	82.84
	6808069	529511001 - UP	I-U-10	2	2-3/4	BCK-6810717	82.84
SWING	6818258	235111001 - UP	I-U-10	2	3-1/4	BCK-6818161	69.37
MODEL 341G							
ARM	6818248	234711001 - UP	I-U-10	2-1/4	3-1/2	BCK-6817081	136.20
BLADE	6815953	234711001 - UP	I-U-10	1-3/4	3-1/4	BCK-6816533	63.60
BOOM	6818252	234711001 - UP	I-U-10	2-1/4	4	BCK-6817183	157.63
BUCKET	6818255	234711001 - UP	I-U-10	2	3-1/4	BCK-6810470	68.31
CLAMP	6808069	234711001 - UP	I-U-10	2	2-3/4	BCK-6810717	82.84
MODEL 430							
ANGLE	7134017	563011001 - UP	I-U-10	1-1/2	2-1/2	BCK-7135559	55.01
ARM	7148322		I-U-10	1-3/4	3-1/4	BCK-7156581	62.51
	7156131		I-U-10	1-1/2	2-3/4	BCK-7162062	75.25
	7156578		I-U-10	1-3/4	3-1/4	BCK-7156581	62.51
	7166446		I-U-10	1-1/2	2-3/4	BCK-7162062	75.25
ARM (Extendable)	6805399		I-U-10	1-1/2	2-1/4	BCK-7135557	55.41
	6810433		I-U-10	1-1/2	2-1/4	BCK-7135557	55.41
BLADE	6815009		I-U-10	1-1/2	2-1/2	BCK-7135559	55.01
	7121065		I-U-10	1-1/2	2-1/2	BCK-7135559	55.01
BLADE (Angle)	7134017		I-U-10	1-1/2	3	BCK-7135547	55.00
BOOM	6814980		I-U-10	1-3/4	3-1/4	BCK-7156581	62.51
	7100732		I-U-10	1-3/4	3	BCK-7162061	75.84
	7148239		I-U-10	1-3/4	3-1/4	BCK-7156581	62.51
	7148522		I-U-10	1-3/4	3	BCK-7162061	75.84
	7156133		I-U-10	1-3/4	3	BCK-7162061	75.84
	7156579		I-U-10	1-3/4	3-1/4	BCK-7156581	62.51
BUCKET	6812165		I-U-10	2	3-1/4	BCK-7137966	59.70
	7110562		I-U-10	1-3/4	2-3/4	BCK-7137935	47.50
	7147447		I-U-10	2	3-1/4	BCK-7137966	59.70

BOBCAT

Replacement Kits For

BOBCAT

BOBCAT

Excavators							
APPLICATION	CYL #	SERIAL #	CODE	ROD	BORE	KIT #	List \$
MODEL 430							
BUCKET	7148457		I-U-10	1-3/4	2-3/4	BCK-7137935	47.50
BUCKET (Extendable Arm)	6806102		I-U-10	2	3-1/4	BCK-7137966	59.70
	7147899		I-U-10	2	3-1/4	BCK-7137966	59.70
CLAMP	6805607		I-U-10	1-1/2	2-1/4	BCK-7135557	55.41
	6817386		I-U-10	1-1/2	2-1/4	BCK-7135557	55.41
EXT ARM	6810433	563011001 - UP	I-U-10	1-1/2	2-1/4	BCK-7135557	55.41
SWING	6816319		I-U-10	1-1/2	3	BCK-7135547	55.00
	7162721		I-U-10	1-1/2	3	BCK-7135547	55.00
MODEL 435							
ARM	6816744	563211001 - UP	I-U-10	2	3-1/4	BCK-6817143	83.27
BLADE	6815953	563211001 - UP	I-U-10	1-3/4	3-1/4	BCK-6816533	63.60
BOOM	6814385	563211001 - UP	I-U-10	2	3-3/4	BCK-6815959	172.57
BUCKET	6812517	563211001 - UP	I-U-10	1-3/4	3	BCK-6816352	56.99
CLAMP	6814063	563211001 - UP	I-U-10	1-3/4	2-1/2	BCK-6813752	49.59
SWING	6812633	563211001 - UP	I-U-10	2	3-1/4	BCK-6818161	69.37
MODEL X-225							
ARM	6586724	508312001-UP	I-U-10	1-1/2	2-3/4	BCK-6589796	37.81
BLADE		508312001-UP	I-U-10	1-1/2	2-3/4	BCK-6589796	37.81
	6596045	508312001-UP	I-U-10	1-1/2	2-3/4	BCK-6589786	40.86
BOOM	6586726	508312001-UP	I-U-10	1-1/2	2-3/4	BCK-6589796	37.81
BUCKET	6538977	508312001-UP	I-U-10	1-1/2	2-3/4	BCK-6589796	37.81
SWING	6536372	508312001-UP	I-U-10	1-3/8	2-3/8	BCK-6661047	36.13
MODEL X-320							
ARM			I-U-10	1-1/2	2-3/8	BCK-6816534	42.52
	6588297	511720001-..1115	I-U-10	1-3/8	2-3/8	BCK-6803281	57.11
	6589582	511721116 - UP	I-U-10	1-1/2	2-3/8	BCK-6589807	43.10
	6803040	562313001 - UP	I-U-10	1-1/2	2-3/8	BCK-6589807	43.10
BLADE	6587000	511720001 - UP	I-U-10	1-3/8	2-3/8	BCK-6803281	57.11
	6587000	562313001 - UP	I-U-10	1-3/8	2-3/8	BCK-6803281	57.11
	6802713		I-U-10	1-3/8	2-3/8	BCK-6803281	57.11
BOOM	6587019	511720001-..1115	I-U-10	1-3/8	2-3/8	BCK-6803281	57.11
	6589360	511721116 - UP	I-U-10	1-3/8	2-3/8	BCK-6803281	57.11
	6803045	562313001 - UP	I-U-10	1-3/8	2-3/8	BCK-6803281	57.11
BUCKET			I-U-10	1-1/2	2-1/4	BCK-6803325	44.54
SWING	6587963	511720001 - UP	I-U-10	1-1/4	2-3/8	BCK-6589868	35.96
	6803043	562313001 - UP	I-U-10	1-1/4	3-1/4	BCK-6801183	36.57
MODEL X-325							
ARM	6586724	511820001 - UP	I-U-10	1-1/2	2-3/4	BCK-6589796	37.81
	6595678	514011001-..012999	I-U-10	1-1/2	2-3/4	BCK-6803268	51.90
BLADE	6538976	511820001 - UP	I-U-10	1-1/2	2-3/4	BCK-6589796	37.81
	6596045	511820001 - UP	I-U-10	1-1/2	2-3/4	BCK-6589786	40.86
	6596045	514011001-..012999	I-U-10	1-1/2	2-3/4	BCK-6589786	40.86
BOOM	6586726	511820001 - UP	I-U-10	1-1/2	2-3/4	BCK-6589796	37.81
	6803696	514011001-..012999	I-U-10	1-1/2	2-3/4	BCK-6803268	51.90
BUCKET	6538977	511820001 - UP	I-U-10	1-1/2	2-3/4	BCK-6589796	37.81
	6803693	514011001-..012999	I-U-10	1-1/2	2-3/4	BCK-6803268	51.90
LIFTING CYLINDER	6802235	514011001-..012999	I-U-10	1-1/2	2-3/4	BCK-6803268	51.90
SWING	6536372	511820001 - UP	I-U-10	1-3/8	2-3/8	BCK-6661047	36.13
	6536372	514011001-..012999	I-U-10	1-3/8	2-3/8	BCK-6661047	36.13
MODEL X-331							
ARM			I-U-10	1-3/4	3	BCK-6804603	57.54
	6537325	512920001 - UP	I-U-10	1-3/4	3	BCK-6588079	41.76
BLADE			I-U-10	1-3/4	3-1/2	BCK-6803314	47.67
BOOM			I-U-10	1-3/4	3-1/4	BCK-6816533	63.60
BUCKET			I-U-10	2	3-1/4	BCK-6810470	68.31

FORMERLY LISTED REPAIR PARTS ARE AVAILABLE ONLINE AT WWW.HERCULESUS.COM OR BY CONTACTING YOUR REGIONAL HERCULES SALES TEAM.

Replacement Kits For

BOBCAT

Excavators							
APPLICATION	CYL #	SERIAL #	CODE	ROD	BORE	KIT #	List \$
MODEL X-331							
SWING	6537577	512911001 - UP	I-U-10	1-1/2	3	BCK-6589797	42.15
	6537577	512920001 - UP	I-U-10	1-1/2	3	BCK-6589797	42.15
	6589756		I-U-10	1-1/2	3	BCK-6804604	56.94
Excavators - Compact							
APPLICATION	CYL #	SERIAL #	CODE	ROD	BORE	KIT #	List \$
MODEL E26							
ARM	7170962	ACRA11001 & Above	I-U-10	1-5/8	2-3/4	BCK-7201446	126.88
	7170962	AJRY11001 & Above	I-U-10	1-5/8	2-3/4	BCK-7201446	126.88
	7170962	B33211001 & Above	I-U-10	1-5/8	2-3/4	BCK-7201446	126.88
	7170962	B3JE11001 & Above	I-U-10	1-5/8	2-3/4	BCK-7201446	126.88
	7286654	B4S911001 & Above	I-U-10	1-3/4	3	BCK-7161331	139.13
	7309383	B4B811001 & Above	I-U-10	1-5/8	2-3/4	BCK-7201446	126.88
BLADE	7164575	ACRA11001 & Above	I-U-10	1-3/4	3-1/4	BCK-7147833	46.18
	7164575	AJRY11001 & Above	I-U-10	1-3/4	3-1/4	BCK-7147833	46.18
	7164575	B33211001 & Above	I-U-10	1-3/4	3-1/4	BCK-7147833	46.18
	7164575	B3JE11001 & Above	I-U-10	1-3/4	3-1/4	BCK-7147833	46.18
	7302315	B4B811001 & Above	I-U-10	1-3/4	3-1/4	BCK-7147833	46.18
	7302315	B4S911001 & Above	I-U-10	1-3/4	3-1/4	BCK-7147833	46.18
BOOM	7206476	ACRA11001 & Above	I-U-10	1-5/8	2-3/4	BCK-7201446	126.88
	7206476	AJRY11001 & Above	I-U-10	1-5/8	2-3/4	BCK-7201446	126.88
	7206476	B33211001 & Above	I-U-10	1-5/8	2-3/4	BCK-7201446	126.88
	7206476	B3JE11001 & Above	I-U-10	1-5/8	2-3/4	BCK-7201446	126.88
	7286186	B4S911001 & Above	I-U-10	1-3/4	3	BCK-7197632	76.02
	7318575	B4B811001 & Above	I-U-10	1-5/8	2-3/4	BCK-7201446	126.88
BOOM (Swing)	7188883	ACRA11001 & Above	I-U-10	1-1/2	2-3/4	BCK-7199903	36.96
	7188883	AJRY11001 & Above	I-U-10	1-1/2	2-3/4	BCK-7199903	36.96
	7188883	B33211001 & Above	I-U-10	1-1/2	2-3/4	BCK-7199903	36.96
	7188883	B3JE11001 & Above	I-U-10	1-1/2	2-3/4	BCK-7199903	36.96
	7302317	B4S911001 & Above	I-U-10	1-1/2	2-3/4	BCK-7199903	36.96
	7348896	B4B811001 & Above	I-U-10	1-1/2	2-3/4	BCK-7199903	36.96
BUCKET	7159406	ACRA11001 & Above	I-U-10	1-1/4	2-1/4	BCK-7137786	95.99
	7159406	AJRY11001 & Above	I-U-10	1-1/4	2-1/4	BCK-7137786	95.99
	7159406	B33211001 & Above	I-U-10	1-1/4	2-1/4	BCK-7137786	95.99
	7159406	B3JE11001 & Above	I-U-10	1-1/4	2-1/4	BCK-7137786	95.99
	7302950	B4S911001 & Above	I-U-10	1-1/2	2-3/8	BCK-7135538	79.44
	7336566	B4B811001 & Above	I-U-10	1-1/4	2-1/4	BCK-7137786	95.99
MODEL E32							
ARM	7161189	A94H11001 & Above, AC2N11001 & Above	I-U-10	1-3/4	3	BCK-7161331	139.13
	7161189	B2VV11001 & Above	I-U-10	1-3/4	3	BCK-7161331	139.13
	7161189	B3CS11001 & Above	I-U-10	1-3/4	3	BCK-7161331	139.13
	7161189	B3K911001 & Above	I-U-10	1-3/4	3	BCK-7161331	139.13
	7161189	B3Y111001 & Above	I-U-10	1-3/4	3	BCK-7161331	139.13
ARM (Extendable)	7219004	A94H11001 & Above, AC2N11001 & Above	I-U-10	1-1/2	2-1/4	BCK-7135557	55.41
	7219004	B2VV11001 & Above	I-U-10	1-1/2	2-1/4	BCK-7135557	55.41
	7219004	B3Y111001 & Above	I-U-10	1-1/2	2-1/4	BCK-7135557	55.41
BLADE	7147780	A94H11001 & Above, AC2N11001 & Above	I-U-10	1-3/4	3-1/2	BCK-7196901	122.56
	7147780	B2VV11001 & Above	I-U-10	1-3/4	3-1/2	BCK-7196901	122.56
	7147780	B3CS11001 & Above	I-U-10	1-3/4	3-1/2	BCK-7196901	122.56
	7147780	B3K911001 & Above	I-U-10	1-3/4	3-1/2	BCK-7196901	122.56
	7313918	B3Y111001 & Above	I-U-10	1-3/4	3-1/2	BCK-7196901	122.56
BOOM	7191555	A94H11001 & Above, AC2N11001 & Above	I-U-10	1-3/4	3	BCK-7197632	76.02
	7191555	B2VV11001 & Above	I-U-10	1-3/4	3	BCK-7197632	76.02

BOBCAT

Replacement Kits For

BOBCAT

Excavators - Compact							
APPLICATION	CYL #	SERIAL #	CODE	ROD	BORE	KIT #	List \$
MODEL E32							
BOOM	7191555	B3CS11001 & Above	I-U-10	1-3/4	3	BCK-7197632	76.02
	7191555	B3K911001 & Above	I-U-10	1-3/4	3	BCK-7197632	76.02
	7267330	B3Y111001 & Above	I-U-10	1-3/4	3	BCK-7197632	76.02
BOOM (Swing)	7147216	A94H11001 & Above, AC2N11001 & Above	I-U-10	1-3/4	3-1/4	BCK-7147833	46.18
	7147216	B2VV11001 & Above	I-U-10	1-3/4	3-1/4	BCK-7147833	46.18
	7147216	B3CS11001 & Above	I-U-10	1-3/4	3-1/4	BCK-7147833	46.18
	7147216	B3K911001 & Above	I-U-10	1-3/4	3-1/4	BCK-7147833	46.18
	7310861	B3Y111001 & Above	I-U-10	1-3/4	3-1/4	BCK-7147833	46.18
BUCKET	7148268	A94H11001 & Above, AC2N11001 & Above	I-U-10	1-3/4	2-3/4	BCK-7168820	46.50
	7148268	B2VV11001 & Above	I-U-10	1-3/4	2-3/4	BCK-7168820	46.50
	7148268	B3CS11001 & Above	I-U-10	1-3/4	2-3/4	BCK-7168820	46.50
	7148268	B3K911001 & Above	I-U-10	1-3/4	2-3/4	BCK-7168820	46.50
	7148268	B3Y111001 & Above	I-U-10	1-3/4	2-3/4	BCK-7168820	46.50
BUCKET (Extendable Arm)	7196762	A94H11001 & Above, AC2N11001 & Above	I-U-10	1-3/4	2-3/4	BCK-7168820	46.50
	7196762	B2VV11001 & Above	I-U-10	1-3/4	2-3/4	BCK-7168820	46.50
	7196762	B3Y111001 & Above	I-U-10	1-3/4	2-3/4	BCK-7168820	46.50
MODEL E32i							
ARM	7161189	AUYJ11001 & Above	I-U-10	1-3/4	3	BCK-7161331	139.13
	7161189	B3Y111001 & Above	I-U-10	1-3/4	3	BCK-7161331	139.13
ARM (Extendable)	7219004	AUYJ11001 & Above	I-U-10	1-1/2	2-1/4	BCK-7135557	55.41
	7219004	B3Y111001 & Above	I-U-10	1-1/2	2-1/4	BCK-7135557	55.41
BLADE	7147780	AUYJ11001 & Above	I-U-10	1-3/4	3-1/2	BCK-7196901	122.56
	7313918	B3Y111001 & Above	I-U-10	1-3/4	3-1/2	BCK-7196901	122.56
BOOM	7191555	AUYJ11001 & Above	I-U-10	1-3/4	3	BCK-7197632	76.02
	7267330	B3Y111001 & Above	I-U-10	1-3/4	3	BCK-7197632	76.02
BOOM (Swing)	7147216	AUYJ11001 & Above	I-U-10	1-3/4	3-1/4	BCK-7147833	46.18
	7310861	B3Y111001 & Above	I-U-10	1-3/4	3-1/4	BCK-7147833	46.18
BUCKET	7148268	AUYJ11001 & Above	I-U-10	1-3/4	2-3/4	BCK-7168820	46.50
	7148268	B3Y111001 & Above	I-U-10	1-3/4	2-3/4	BCK-7168820	46.50
BUCKET (Extendable Arm)	7196762	AUYJ11001 & Above	I-U-10	1-3/4	2-3/4	BCK-7168820	46.50
	7196762	B3Y111001 & Above	I-U-10	1-3/4	2-3/4	BCK-7168820	46.50
MODEL E35							
ARM	7161189	A93K11001 & Above, AC2P11001 & Above	I-U-10	1-3/4	3	BCK-7161331	139.13
	7161189	AR1K11001 & Above	I-U-10	1-3/4	3	BCK-7161331	139.13
	7161189	B3GR11001 & Above	I-U-10	1-3/4	3	BCK-7161331	139.13
	7161189	B3K811001 & Above	I-U-10	1-3/4	3	BCK-7161331	139.13
	7161189	B3WZ11001 & Above	I-U-10	1-3/4	3	BCK-7161331	139.13
ARM (Extendable)	7219004	A93K11001 & Above, AC2P11001 & Above	I-U-10	1-1/2	2-1/4	BCK-7135557	55.41
	7219004	AR1K11001 & Above	I-U-10	1-1/2	2-1/4	BCK-7135557	55.41
	7219004	B3WZ11001 & Above	I-U-10	1-1/2	2-1/4	BCK-7135557	55.41
BLADE	7147780	A93K11001 & Above, AC2P11001 & Above	I-U-10	1-3/4	3-1/2	BCK-7196901	122.56
	7147780	AR1K11001 & Above	I-U-10	1-3/4	3-1/2	BCK-7196901	122.56
	7147780	B3GR11001 & Above	I-U-10	1-3/4	3-1/2	BCK-7196901	122.56
	7147780	B3K811001 & Above	I-U-10	1-3/4	3-1/2	BCK-7196901	122.56
	7313918	B3WZ11001 & Above	I-U-10	1-3/4	3-1/2	BCK-7196901	122.56
BLADE (Angle)	7153416	A93K11001 & Above, AC2P11001 & Above	I-U-10	1-1/2	2-1/2	BCK-7135559	55.01
	7153416	AR1K11001 & Above	I-U-10	1-1/2	2-1/2	BCK-7135559	55.01
	7153416	B3GR11001 & Above	I-U-10	1-1/2	2-1/2	BCK-7135559	55.01
	7153416	B3K811001 & Above	I-U-10	1-1/2	2-1/2	BCK-7135559	55.01

BOBCAT

Replacement Kits For

BOBCAT

Excavators - Compact							
APPLICATION	CYL #	SERIAL #	CODE	ROD	BORE	KIT #	List \$
MODEL E35							
BLADE (Angle)	7153416	B3WZ11001 & Above	I-U-10	1-1/2	2-1/2	BCK-7135559	55.01
BOOM	7191555	A93K11001 & Above, AC2P11001 & Above	I-U-10	1-3/4	3	BCK-7197632	76.02
	7191555	AR1K11001 & Above	I-U-10	1-3/4	3	BCK-7197632	76.02
	7191555	B3GR11001 & Above	I-U-10	1-3/4	3	BCK-7197632	76.02
	7191555	B3K811001 & Above	I-U-10	1-3/4	3	BCK-7197632	76.02
	7267330	B3WZ11001 & Above	I-U-10	1-3/4	3	BCK-7197632	76.02
BOOM (Swing)	7147216	A93K11001 & Above, AC2P11001 & Above	I-U-10	1-3/4	3-1/4	BCK-7147833	46.18
	7147216	AR1K11001 & Above	I-U-10	1-3/4	3-1/4	BCK-7147833	46.18
	7147216	B3GR11001 & Above	I-U-10	1-3/4	3-1/4	BCK-7147833	46.18
	7147216	B3K811001 & Above	I-U-10	1-3/4	3-1/4	BCK-7147833	46.18
	7310861	B3WZ11001 & Above	I-U-10	1-3/4	3-1/4	BCK-7147833	46.18
BUCKET	7148268	A93K11001 & Above, AC2P11001 & Above	I-U-10	1-3/4	2-3/4	BCK-7168820	46.50
	7148268	AR1K11001 & Above	I-U-10	1-3/4	2-3/4	BCK-7168820	46.50
	7148268	B3GR11001 & Above	I-U-10	1-3/4	2-3/4	BCK-7168820	46.50
	7148268	B3K811001 & Above	I-U-10	1-3/4	2-3/4	BCK-7168820	46.50
	7148268	B3WZ11001 & Above	I-U-10	1-3/4	2-3/4	BCK-7168820	46.50
BUCKET (Extendable Arm)	7196762	A93K11001 & Above, AC2P11001 & Above	I-U-10	1-3/4	2-3/4	BCK-7168820	46.50
	7196762	AR1K11001 & Above	I-U-10	1-3/4	2-3/4	BCK-7168820	46.50
	7196762	B3WZ11001 & Above	I-U-10	1-3/4	2-3/4	BCK-7168820	46.50
MODEL E35i							
ARM	7161189	AUYM11001 & Above	I-U-10	1-3/4	3	BCK-7161331	139.13
	7161189	B3Y211001 & Above	I-U-10	1-3/4	3	BCK-7161331	139.13
ARM (Extendable)	7219004	AUYM11001 & Above	I-U-10	1-1/2	2-1/4	BCK-7135557	55.41
	7219004	B3Y211001 & Above	I-U-10	1-1/2	2-1/4	BCK-7135557	55.41
BLADE	7147780	AUYM11001 & Above	I-U-10	1-3/4	3-1/2	BCK-7196901	122.56
	7313918	B3Y211001 & Above	I-U-10	1-3/4	3-1/2	BCK-7196901	122.56
BLADE ANGLE	7153416	AUYM11001 & Above	I-U-10	1-1/2	2-1/2	BCK-7135559	55.01
	7153416	B3Y211001 & Above	I-U-10	1-1/2	2-1/2	BCK-7135559	55.01
BOOM	7191555	AUYM11001 & Above	I-U-10	1-3/4	3	BCK-7197632	76.02
	7267330	B3Y211001 & Above	I-U-10	1-3/4	3	BCK-7197632	76.02
BOOM (Swing)	7147216	AUYM11001 & Above	I-U-10	1-3/4	3-1/4	BCK-7147833	46.18
	7310861	B3Y211001 & Above	I-U-10	1-3/4	3-1/4	BCK-7147833	46.18
BUCKET	7148268	AUYM11001 & Above	I-U-10	1-3/4	2-3/4	BCK-7168820	46.50
	7148268	B3Y211001 & Above	I-U-10	1-3/4	2-3/4	BCK-7168820	46.50
BUCKET (Extendable Arm)	7196762	AUYM11001 & Above	I-U-10	1-3/4	2-3/4	BCK-7168820	46.50
	7196762	B3Y211001 & Above	I-U-10	1-3/4	2-3/4	BCK-7168820	46.50
MODEL E42							
ARM	7175158	AG3411001 & Above	I-U-10	2	3-1/4	BCK-7166257	116.26
	7175158	B2VW11001 & Above	I-U-10	2	3-1/4	BCK-7166257	116.26
	7175158	B4GM11001 & Above	I-U-10	2	3-1/4	BCK-7166257	116.26
ARM (Extendable)	7219322	AG3411001 & Above	I-U-10	1-1/2	2-1/4	BCK-7135557	55.41
	7219322	B2VW11001 & Above	I-U-10	1-1/2	2-1/4	BCK-7135557	55.41
	7219322	B4GM11001 & Above	I-U-10	1-1/2	2-1/4	BCK-7135557	55.41
BLADE	7176988	AG3411001 & Above	I-U-10	1-3/4	3-1/2	BCK-7196901	122.56
	7176988	B2VW11001 & Above	I-U-10	1-3/4	3-1/2	BCK-7196901	122.56
BLADE (Angle Blade)	7378597	B4GM11001 & Above	I-U-10	2	4	BCK-7196449	97.76
BLADE (Angle)	7153416	B2VW11001 & Above	I-U-10	1-1/2	2-1/2	BCK-7135559	55.01
	7164492	B4GM11001 & Above	I-U-10	1-1/2	2-1/2	BCK-7135559	55.01
BLADE (Std Blade)	7378605	B4GM11001 & Above	I-U-10	2	3-3/4	BCK-7196481	101.07
BOOM	7192624	B2VW11001 & Above	I-U-10	2	3-3/4	BCK-7196484	109.34
	7385949	B4GM11001 & Above	I-U-10	2	3-3/4	BCK-7196484	109.34
BOOM (Swing)	7178023	AG3411001 & Above	I-U-10	1-3/4	3-1/2	BCK-7196905	93.21

BOBCAT

Replacement Kits For

BOBCAT

BOBCAT

Excavators - Compact							
APPLICATION	CYL #	SERIAL #	CODE	ROD	BORE	KIT #	List \$
MODEL E42							
BOOM (Swing)	7178023	B2VW11001 & Above	I-U-10	1-3/4	3-1/2	BCK-7196905	93.21
	7390628	B4GM11001 & Above	I-U-10	1-3/4	3-1/2	BCK-7196905	93.21
BUCKET	7175041	AG3411001 & Above	I-U-10	1-3/4	3	BCK-7161331	139.13
	7175041	B2VW11001 & Above	I-U-10	1-3/4	3	BCK-7161331	139.13
	7175041	B4GM11001 & Above	I-U-10	1-3/4	3	BCK-7161331	139.13
MODEL E45							
ARM	7175158	AG3G11001 & Above, AHHC11001 & Above	I-U-10	2	3-1/4	BCK-7166257	116.26
	7175158	B2VY11001 & Above	I-U-10	2	3-1/4	BCK-7166257	116.26
	7175158	B3NM11001 & Above	I-U-10	2	3-1/4	BCK-7166257	116.26
	7175158	B3NR11001 & Above	I-U-10	2	3-1/4	BCK-7166257	116.26
ARM (Extendable)	7219322	AG3G11001 & Above, AHHC11001 & Above	I-U-10	1-1/2	2-1/4	BCK-7135557	55.41
	7219322	B2VY11001 & Above	I-U-10	1-1/2	2-1/4	BCK-7135557	55.41
	7219322	B3NM11001 & Above	I-U-10	1-1/2	2-1/4	BCK-7135557	55.41
BLADE (Angle)	7165711	AG3G11001 & Above, AHHC11001 & Above	I-U-10	2	4	BCK-7196449	97.76
	7165711	B2VY11001 & Above	I-U-10	2	4	BCK-7196449	97.76
	7165711	B3NM11001 & Above	I-U-10	2	4	BCK-7196449	97.76
	7165711	B3NR11001 & Above	I-U-10	2	4	BCK-7196449	97.76
BLADE (Std)	7201732	AG3G11001 & Above, AHHC11001 & Above	I-U-10	2	3-3/4	BCK-7196481	101.07
	7201732	B2VY11001 & Above	I-U-10	2	3-3/4	BCK-7196481	101.07
	7201732	B3NM11001 & Above	I-U-10	2	3-3/4	BCK-7196481	101.07
	7201732	B3NR11001 & Above	I-U-10	2	3-3/4	BCK-7196481	101.07
BLADE ANGLE	7164492	AG3G11001 & Above, AHHC11001 & Above	I-U-10	1-1/2	2-1/2	BCK-7135559	55.01
	7164492	B2VY11001 & Above	I-U-10	1-1/2	2-1/2	BCK-7135559	55.01
	7164492	B3NM11001 & Above	I-U-10	1-1/2	2-1/2	BCK-7135559	55.01
	7164492	B3NR11001 & Above	I-U-10	1-1/2	2-1/2	BCK-7135559	55.01
BOOM	7192624	AG3G11001 & Above, AHHC11001 & Above	I-U-10	2	3-3/4	BCK-7196484	109.34
	7192624	B2VY11001 & Above	I-U-10	2	3-3/4	BCK-7196484	109.34
	7192624	B3NM11001 & Above	I-U-10	2	3-3/4	BCK-7196484	109.34
	7192624	B3NR11001 & Above	I-U-10	2	3-3/4	BCK-7196484	109.34
BOOM (Swing)	7178023	AG3G11001 & Above, AHHC11001 & Above	I-U-10	1-3/4	3-1/2	BCK-7196905	93.21
	7178023	B2VY11001 & Above	I-U-10	1-3/4	3-1/2	BCK-7196905	93.21
	7178023	B3NM11001 & Above	I-U-10	1-3/4	3-1/2	BCK-7196905	93.21
	7178023	B3NR11001 & Above	I-U-10	1-3/4	3-1/2	BCK-7196905	93.21
BUCKET	7175041	AG3G11001 & Above, AHHC11001 & Above	I-U-10	1-3/4	3	BCK-7161331	139.13
	7175041	B2VY11001 & Above	I-U-10	1-3/4	3	BCK-7161331	139.13
	7175041	B3NM11001 & Above	I-U-10	1-3/4	3	BCK-7161331	139.13
	7175041	B3NR11001 & Above	I-U-10	1-3/4	3	BCK-7161331	139.13
MODEL E50							
ARM	7166180	AG3N11001 & Above, AHHE11001 & Above	I-U-10	2-1/4	3-1/2	BCK-7196904	116.96
	7166180	AJ1811001 & Above	I-U-10	2-1/4	3-1/2	BCK-7196904	116.96
	7166180	B3NN11001 & Above	I-U-10	2-1/4	3-1/2	BCK-7196904	116.96
	7166180	B3NS11001 & Above	I-U-10	2-1/4	3-1/2	BCK-7196904	116.96
	7378595	B4GP11001 & Above	I-U-10	2-1/4	3-1/2	BCK-7196904	116.96
BLADE	7165711	AG3N11001 & Above, AHHE11001 & Above	I-U-10	2	4	BCK-7196449	97.76
	7165711	AJ1811001 & Above	I-U-10	2	4	BCK-7196449	97.76
	7165711	B3NN11001 & Above	I-U-10	2	4	BCK-7196449	97.76
	7165711	B3NS11001 & Above	I-U-10	2	4	BCK-7196449	97.76

BOBCAT

Excavators - Compact							
APPLICATION	CYL #	SERIAL #	CODE	ROD	BORE	KIT #	List \$
MODEL E50							
BLADE	7378597	B4GP11001 & Above	I-U-10	2	4	BCK-7196449	97.76
BLADE (Angle)	7164492	AG3N11001 & Above, AHHE11001 & Above	I-U-10	1-1/2	2-1/2	BCK-7135559	55.01
	7164492	AJ1811001 & Above	I-U-10	1-1/2	2-1/2	BCK-7135559	55.01
	7164492	B3NN11001 & Above	I-U-10	1-1/2	2-1/2	BCK-7135559	55.01
	7164492	B3NS11001 & Above	I-U-10	1-1/2	2-1/2	BCK-7135559	55.01
	7164492	B4GP11001 & Above	I-U-10	1-1/2	2-1/2	BCK-7135559	55.01
BOOM	7198049	AJ1811001 & Above	I-U-10	2-1/4	4	BCK-7196450	117.48
	7378593	B4GP11001 & Above	I-U-10	2-1/4	4	BCK-7196450	117.48
BOOM (Swing)	7166016	AG3N11001 & Above, AHHE11001 & Above	I-U-10	2	3-3/4	BCK-7196481	101.07
	7166016	AJ1811001 & Above	I-U-10	2	3-3/4	BCK-7196481	101.07
	7166016	B3NN11001 & Above	I-U-10	2	3-3/4	BCK-7196481	101.07
	7166016	B3NS11001 & Above	I-U-10	2	3-3/4	BCK-7196481	101.07
	7390630	B4GP11001 & Above	I-U-10	2	3-3/4	BCK-7196481	101.07
BOOM (w/Head Set Screw)	7198049	AG3N11001 & Above, AHHE11001 & Above	I-U-10	2-1/4	4	BCK-7196450	117.48
	7198049	B3NN11001 & Above	I-U-10	2-1/4	4	BCK-7196450	117.48
	7198049	B3NS11001 & Above	I-U-10	2-1/4	4	BCK-7196450	117.48
BUCKET	7166323	AG3N11001 & Above, AHHE11001 & Above	I-U-10	2	3-1/4	BCK-7166330	93.78
	7166323	AJ1811001 & Above	I-U-10	2	3-1/4	BCK-7166330	93.78
	7166323	B3NN11001 & Above	I-U-10	2	3-1/4	BCK-7166330	93.78
	7166323	B3NS11001 & Above	I-U-10	2	3-1/4	BCK-7166330	93.78
	7166323	B4GP11001 & Above	I-U-10	2	3-1/4	BCK-7166330	93.78
MODEL E55							
ARM	7166180	AJ1911001 & Above	I-U-10	2-1/4	3-1/2	BCK-7196904	116.96
	7166180	ARWM11001 & Above, ASW311001 & Above	I-U-10	2-1/4	3-1/2	BCK-7196904	116.96
	7166180	B3NP11001 & Above	I-U-10	2-1/4	3-1/2	BCK-7196904	116.96
	7166180	B3NT11001 & Above	I-U-10	2-1/4	3-1/2	BCK-7196904	116.96
ARM (Extendable)	7219004	AJ1911001 & Above	I-U-10	1-1/2	2-1/4	BCK-7135557	55.41
	7219004	ARWM11001 & Above, ASW311001 & Above	I-U-10	1-1/2	2-1/4	BCK-7135557	55.41
	7219004	B3NP11001 & Above	I-U-10	1-1/2	2-1/4	BCK-7135557	55.41
	7219004	B3NT11001 & Above	I-U-10	1-1/2	2-1/4	BCK-7135557	55.41
BLADE	7165711	AJ1911001 & Above	I-U-10	2	4	BCK-7196449	97.76
	7165711	ARWM11001 & Above, ASW311001 & Above	I-U-10	2	4	BCK-7196449	97.76
	7165711	B3NP11001 & Above	I-U-10	2	4	BCK-7196449	97.76
	7165711	B3NT11001 & Above	I-U-10	2	4	BCK-7196449	97.76
BLADE ANGLE	7164492	AJ1911001 & Above	I-U-10	1-1/2	2-1/2	BCK-7135559	55.01
	7164492	ARWM11001 & Above, ASW311001 & Above	I-U-10	1-1/2	2-1/2	BCK-7135559	55.01
	7164492	B3NP11001 & Above	I-U-10	1-1/2	2-1/2	BCK-7135559	55.01
BOOM	7164492	B3NT11001 & Above	I-U-10	1-1/2	2-1/2	BCK-7135559	55.01
	7198049	AJ1911001 & Above	I-U-10	2-1/4	4	BCK-7196450	117.48
	7198049	ARWM11001 & Above, ASW311001 & Above	I-U-10	2-1/4	4	BCK-7196450	117.48
	7198049	B3NP11001 & Above	I-U-10	2-1/4	4	BCK-7196450	117.48
BOOM (Swing)	7198049	B3NT11001 & Above	I-U-10	2-1/4	4	BCK-7196450	117.48
	7166016	AJ1911001 & Above	I-U-10	2	3-3/4	BCK-7196481	101.07
	7166016	ARWM11001 & Above, ASW311001 & Above	I-U-10	2	3-3/4	BCK-7196481	101.07
	7166016	B3NP11001 & Above	I-U-10	2	3-3/4	BCK-7196481	101.07
BUCKET	7166016	B3NT11001 & Above	I-U-10	2	3-3/4	BCK-7196481	101.07
	7166323	AJ1911001 & Above	I-U-10	2	3-1/4	BCK-7166330	93.78

BOBCAT

Replacement Kits For

BOBCAT

Excavators - Compact

APPLICATION	CYL #	SERIAL #	CODE	ROD	BORE	KIT #	List \$
MODEL E55							
BUCKET	7166323	ARWM11001 & Above, ASW311001 & Above	I-U-10	2	3-1/4	BCK-7166330	93.78
	7166323	B3NP11001 & Above	I-U-10	2	3-1/4	BCK-7166330	93.78
	7166323	B3NT11001 & Above	I-U-10	2	3-1/4	BCK-7166330	93.78

Loaders - Skid Steer

APPLICATION	CYL #	SERIAL #	CODE	ROD	BORE	KIT #	List \$
MODEL 310, 313, 371							
LIFT			I-U-10	1	2	BCK-6587790	25.50
TILT			I-U-10	1	2	BCK-6587790	25.50
MODEL 440							
LIFT			I-U-10	1	2	BCK-6587790	25.50
MODEL 440B							
LIFT			I-U-10	1	2	BCK-6803472	28.93
TILT	6589196	505214001	I-U-10	1-1/4	3	BCK-6803334	44.66
	6592700	505214001	I-U-10	1-1/4	3	BCK-6803334	44.66
MODEL 443							
LIFT			I-U-10	1	2	BCK-6803472	28.93
TILT			I-U-10	1-1/4	3	BCK-6803334	44.66
MODEL 444, 500							
LIFT			I-U-10	1-1/4	2	BCK-6803329	36.73
TILT			I-U-10	1	2	BCK-6803472	28.93
MODEL 450, 453							
LIFT			I-U-10	1	2	BCK-6587790	25.50
MODEL 463							
LIFT	6808340		I-U-10	1-1/4	2	BCK-6804927	49.31
	6812771		I-U-10	1-1/4	2	BCK-6804927	49.31
TILT	6815746		I-U-10	1-1/4	3	BCK-6803334	44.66
	6815798		I-U-10	1-1/4	3	BCK-6803334	44.66
MODEL 520, 530, 533, 540, 542B, 543							
LIFT			I-U-10	1-1/4	2	BCK-6803329	36.73
TILT			I-U-10	1-1/2	3	BCK-6804604	56.94
MODEL 543B							
TILT			I-U-10	1-1/2	3	BCK-6803272	41.13
MODEL 553							
LIFT			I-U-10	1-1/4	2	BCK-6586298	33.32
TILT			I-U-10	1-1/2	3	BCK-6803272	41.13
MODEL 600, 610, 620							
LIFT			I-U-10	1-1/4	2	BCK-6803329	36.73
TILT			I-U-10	1	2	BCK-6803472	28.93
MODEL 630							
LIFT			I-U-10	1-1/4	2	BCK-6803329	36.73
TILT			I-U-10	1-1/2	3-1/4	BCK-6804605	68.78
			I-U-10	1-1/2	3	BCK-6804604	56.94
MODEL 640							
TILT			I-U-10	1-1/2	3-1/4	BCK-6661308	34.10
			I-U-10	1-1/2	3-1/4	BCK-6661297	27.76
MODEL 642							
LIFT	6586671	5014-M-11001	I-U-10	1-1/4	2	BCK-6803329	36.73
TILT w/ Replaceable Tube			I-U-10	1-1/2	3-1/4	BCK-6804605	68.78
			I-U-10	1-1/2	3-1/4	BCK-6661297	27.76
TILT w/ Welded Tube			I-U-10	1-1/2	3-1/4	BCK-6804605	68.78
MODEL 642B							
LIFT			I-U-10	1-1/4	2	BCK-6803329	36.73
TILT			I-U-10	1-1/2	3-1/4	BCK-6804605	68.78
MODEL 643							
LIFT w/ Replaceable Tube	6586671	5015-M-13001	I-U-10	1-1/4	2	BCK-6803329	36.73
TILT w/ Replaceable Tube			I-U-10	1-1/2	3-1/4	BCK-6661297	27.76

BOBCAT

Replacement Kits For

BOBCAT

Loaders - Skid Steer							
APPLICATION	CYL #	SERIAL #	CODE	ROD	BORE	KIT #	List \$
MODEL 643							
TILT w/ Replaceable Tube			I-U-10	1-1/2	3-1/4	BCK-6804605	68.78
TILT w/ Welded Tube			I-U-10	1-1/2	3-1/4	BCK-6804605	68.78
MODEL 653							
TILT			I-U-10	1-1/2	3-1/4	BCK-6589792	49.75
MODEL 700, 720, 721, 722							
LIFT			I-U-10	1-1/4	2	BCK-6803329	36.73
TILT			I-U-10	1	2	BCK-6587790	25.50
			I-U-10	1	2	BCK-6803472	28.93
MODEL 730, 731, 732							
LIFT			I-U-10	1-1/2	3-1/4	BCK-6804605	68.78
			I-U-10	1-1/4	2	BCK-6803329	36.73
TILT			I-U-10	1-1/2	3-1/4	BCK-6804605	68.78
			P-U-10	1-1/2	3-1/4	BCK-6514736	35.50
MODEL 733							
TILT			P-U-10	1-1/2	3-1/4	BCK-6514736	35.50
MODEL 741, 742, 743							
LIFT			I-U-10	1-1/4	2	BCK-6803329	36.73
LIFT w/ Replaceable Tube			I-U-10	1-1/4	2	BCK-6803329	36.73
TILT			P-U-10	1-1/2	3-1/4	BCK-6514736	35.50
			I-U-10	1-1/2	3-1/4	BCK-6804605	68.78
TILT(CESSNA)			P-U-10	1-1/2	3-1/4	BCK-6514736	35.50
TILT(MELROE)			I-U-10	1-1/2	3-1/4	BCK-6804605	68.78
		<=12999	I-U-10	1-1/2	3-1/4	BCK-6661297	27.76
MODEL 742B							
LIFT	6586671	18001 & Above	I-U-10	1-1/4	2	BCK-6803329	36.73
TILT			I-U-10	1-1/2	3-1/4	BCK-6804605	68.78
MODEL 743B							
LIFT w/ Replaceable Tube	6586671		I-U-10	1-1/4	2	BCK-6803329	36.73
TILT(MELROE)			I-U-10	1-1/2	3-1/4	BCK-6804605	68.78
MODEL 743DS							
LIFT			I-U-10	1-1/4	2	BCK-6803329	36.73
TILT			I-U-10	1-1/2	3-1/4	BCK-6661297	27.76
MODEL 751							
LIFT	6586575	514711001	I-U-10	1-1/4	2	BCK-6803329	36.73
TILT			I-U-10	1-1/2	3-1/4	BCK-6804605	68.78
MODEL 753							
LIFT			I-U-10	1-1/4	2	BCK-6803329	36.73
TILT			I-U-10	1-1/2	3-1/4	BCK-6804605	68.78
			I-U-10	1-1/2	3-1/4	BCK-6589792	49.75
MODEL 763							
LIFT	6589259	512212001 & UP	I-U-10	1-1/2	2-1/4	BCK-6803325	44.54
TILT w/ Rod Eye Grease	6804630	512212001 & UP	I-U-10	1-1/2	3-1/2	BCK-6804606	51.73
MODEL 773							
LIFT	6537254	509616001-509629999; 509635001-UP	I-U-10	1-1/2	2-1/4	BCK-6803325	44.54
	7117667; 6805056	500K11001-UP; 517611001-517624999; 518011001-UP; 518111001- 518114999; 519011001- 519027999; 519211001- 519214999	I-U-10	1-1/2	2-1/2	BCK-7135559	55.01
TILT	6804630; 6539931; 6586587	509616001-509629999; 509635001-UP	I-U-10	1-1/2	3-1/2	BCK-6804606	51.73

BOBCAT

Replacement Kits For

BOBCAT

Loaders - Skid Steer							
APPLICATION	CYL #	SERIAL #	CODE	ROD	BORE	KIT #	List \$
MODEL 773							
TILT	7117174; 6806331	500K11001-UP; 517611001-517624999; 518011001-UP; 518111001- 518114999; 519011001- 519027999; 519211001- 519214999	I-U-10	1-3/8	2-3/4	BCK-6806330	50.15
MODEL 825							
LIFT			I-U-10	1-1/2	2-1/4	BCK-6555117	19.06
			I-U-10	1-1/2	2-1/4	BCK-6589793	37.61
TILT			I-U-10	1	2-1/4	BCK-6544447	19.71
TILT w/ Replaceable Tube			I-U-10	1-1/2	3-1/4	BCK-6661297	27.76
MODEL 843							
LIFT			I-U-10	1-1/2	2-1/4	BCK-6589793	37.61
TILT			I-U-10	1-1/2	3-1/4	BCK-6804605	68.78
MODEL 843B							
LIFT	6529692	503760001	I-U-10	1-1/2	2-1/4	BCK-6589793	37.61
TILT			I-U-10	1-1/2	3-1/4	BCK-6804605	68.78
MODEL 853							
LIFT			I-U-10	1-1/2	2-1/4	BCK-6589793	37.61
	6587125	512811001-15999	I-U-10	1-1/2	2-1/4	BCK-6586915	37.71
TILT			I-U-10	1-1/2	3-1/4	BCK-6804605	68.78
MODEL 863							
LIFT	6800973	514411001 & UP	I-U-10	1-3/4	2-1/2	BCK-6803312	48.74
TILT			I-U-10	1-1/2	3-1/2	BCK-6804606	51.73
	6800466	514411001 & UP	I-U-10	1-5/8	3-1/2	BCK-6804615	52.57
MODEL 873							
LIFT	6589198	514111001 & UP	I-U-10	1-1/2	2-3/4	BCK-6804609	67.82
TILT - LH	6597376	514111574-15042	I-U-10	1-1/4	2-1/2	BCK-6595177	37.01
	6597387	514111001-514111573	I-U-10	1-1/4	2-1/2	BCK-6595177	37.01
	6800683	514115043 & UP	I-U-10	1-5/8	2-3/4	BCK-6804616	70.72
TILT - RH	6597377	514111574-15042	I-U-10	1-1/4	2-1/2	BCK-6595177	37.01
	6597388	514111001-514111573	I-U-10	1-1/4	2-1/2	BCK-6595177	37.01
	6800682	514115043 & UP	I-U-10	1-5/8	2-3/4	BCK-6804616	70.72
MODEL 943							
LIFT			I-U-10	1-3/4	3	BCK-6804603	57.54
			I-U-10	1-1/2	3	BCK-6661053	34.86
TILT			I-U-10	1-1/2	3	BCK-6804604	56.94
MODEL 953							
TILT			I-U-10	1-1/2	3	BCK-6803272	41.13
MODEL 970							
LIFT			I-U-10	2	3-1/2	BCK-6588059	67.14
		Prior to 110418	I-V-10	2	3-1/2	BCK-6509053	32.13
TILT			I-U-10	1-1/2	3	BCK-6804604	56.94
MODEL 974, 975							
LIFT			I-U-10	2	3-1/2	BCK-6588059	67.14
TILT			I-U-10	1-1/2	3	BCK-6804604	56.94
MODEL 980							
LIFT			I-U-10	2	3-1/2	BCK-6588059	67.14
TILT			I-U-10	1-1/2	3	BCK-6804604	56.94
MODEL 1213							
LIFT			I-U-10	1-1/2	2-1/4	BCK-6589793	37.61
MODEL A300							
LIFT	6817310		I-U-10	1-5/8	3	BCK-7137939	54.84
	7106456		I-U-10	1-5/8	3	BCK-7137939	54.84
STEERING	6814126		I-U-10	1	2	BCK-7137772	31.68
TILT	6810233		I-U-10	1-1/2	3	BCK-7135547	55.00

BOBCAT

Replacement Kits For

BOBCAT

Loaders - Skid Steer							
APPLICATION	CYL #	SERIAL #	CODE	ROD	BORE	KIT #	List \$
MODEL S70							
LIFT	6812771	A3W611001 & Above, A3W711001 & Above	I-U-10	1-1/4	2	BCK-7137770	49.31
	6812771	B38V11001 & Above	I-U-10	1-1/4	2	BCK-7137770	49.31
	6812771	B38W11001 & Above	I-U-10	1-1/4	2	BCK-7137770	49.31
	6812771	B4TY11001 & Above	I-U-10	1-1/4	2	BCK-7137770	49.31
	6812771	B4UC11001 & Above	I-U-10	1-1/4	2	BCK-7137770	49.31
TILT	6815798	A3W611001 & Above, A3W711001 & Above	I-U-10	1-1/4	3	BCK-7137944	68.73
	6815798	B38V11001 & Above	I-U-10	1-1/4	3	BCK-7137944	68.73
	6815798	B38W11001 & Above	I-U-10	1-1/4	3	BCK-7137944	68.73
	6815798	B4TY11001 & Above	I-U-10	1-1/4	3	BCK-7137944	68.73
	6815798	B4UC11001 & Above	I-U-10	1-1/4	3	BCK-7137944	68.73
MODEL S130							
LIFT	6809201		I-U-10	1-1/4	2	BCK-7137770	49.31
TILT	6804630		I-U-10	1-1/2	3-1/2	BCK-7135555	59.99
MODEL S150, S160							
LIFT	6811994		I-U-10	1-1/2	2-1/4	BCK-7135557	55.41
TILT	6809802		I-U-10	1-3/8	2-3/4	BCK-6806330	50.15
	7117174		I-U-10	1-3/8	2-3/4	BCK-6806330	50.15
MODEL S175, S185							
LIFT	7117667		I-U-10	1-1/2	2-1/2	BCK-7135559	55.01
TILT	7117174		I-U-10	1-3/8	2-3/4	BCK-6806330	50.15
MODEL S205							
LIFT	6811995		I-U-10	1-1/2	2-1/2	BCK-6816537	55.01
	7107895		I-U-10	1-1/2	2-1/2	BCK-6816537	55.01
	7117667		I-U-10	1-1/2	2-1/2	BCK-7135559	55.01
TILT	6809802		I-U-10	1-3/8	2-3/4	BCK-6806330	50.15
	7117174		I-U-10	1-3/8	2-3/4	BCK-6806330	50.15
MODEL S220							
LIFT	6815757		I-U-10	1-3/4	2-1/2	BCK-7137865	39.48
TILT	6810233		I-U-10	1-1/2	3	BCK-7135547	55.00
MODEL S250, S300							
LIFT	6817310		I-U-10	1-5/8	3	BCK-7137939	54.84
	7106456		I-U-10	1-5/8	3	BCK-7137939	54.84
TILT	6810233		I-U-10	1-1/2	3	BCK-7135547	55.00
MODEL S450							
ATTACHMENT	7227463	AUVB11001-; AV9V11001-; B1E611001-; B1ED11001-	I-U-10	1	1-3/4	BCK-7138014	30.62
	7227570	AUVB11001-; AV9V11001-; B1E611001-; B1ED11001-	I-U-10	1	1-1/2	BCK-7155417	57.10
	7307224	AUVB11001-; AV9V11001-; B1E611001-; B1ED11001-	I-U-10	1	1-1/2	BCK-7155417	57.10
	7362530	AUVB11001-; AV9V11001-; B1E611001-; B1ED11001-; B4J711001-; B4RH11001-	I-U-10	1	1-1/2	BCK-7155417	57.10
	7365351	AUVB11001-; AV9V11001-; B1E611001-; B1ED11001-	I-U-10	1	1-3/4	BCK-7138014	30.62
	7415655	AUVB11001-; AV9V11001-; B1E611001-; B1ED11001-; B4J711001-; B4RH11001-	P-U-10	25 mm	1-1/2	BCK-7452890	76.37
LIFT (Wahpeton)	7200227	AUVB11001-; AV9V11001-; B1E611001-; B1ED11001-	I-U-10	1-1/4	2	BCK-7137770	49.31
TILT (Wahpeton)	7209958	AUVB11001-; AV9V11001-; B1E611001-; B1ED11001-	I-U-10	1-1/4	2-3/8	BCK-7236275	72.21
MODEL S530							
LIFT	7152266	A7TV11001 & Above	I-U-10	1-5/8	2-3/4	BCK-7135489	39.11

BOBCAT

Replacement Kits For

BOBCAT

Loaders - Skid Steer							
APPLICATION	CYL #	SERIAL #	CODE	ROD	BORE	KIT #	List \$
MODEL S530							
LIFT	7152266	A7TW11001 & Above, A7TW11001 - A7TW11005, AZN711001 & Above	I-U-10	1-5/8	2-3/4	BCK-7135489	39.11
	7152266	ALR811001 & Above	I-U-10	1-5/8	2-3/4	BCK-7135489	39.11
	7152266	ATZD11001 & Above, AZN611001 & Above	I-U-10	1-5/8	2-3/4	BCK-7135489	39.11
	7152266	B42811001 & Above	I-U-10	1-5/8	2-3/4	BCK-7135489	39.11
	7152266	B42T11001 & Above	I-U-10	1-5/8	2-3/4	BCK-7135489	39.11
LIFT (Cushion)	7256068	A7TV11001 & Above	I-U-10	1-5/8	2-3/4	BCK-7135489	39.11
	7256068	A7TW11001 & Above, A7TW11001 - A7TW11005, AZN711001 & Above	I-U-10	1-5/8	2-3/4	BCK-7135489	39.11
	7256068	ALR811001 & Above	I-U-10	1-5/8	2-3/4	BCK-7135489	39.11
	7256068	ATZD11001 & Above, AZN611001 & Above	I-U-10	1-5/8	2-3/4	BCK-7135489	39.11
	7256068	B42811001 & Above	I-U-10	1-5/8	2-3/4	BCK-7135489	39.11
	7256068	B42T11001 & Above	I-U-10	1-5/8	2-3/4	BCK-7135489	39.11
LIFT (Roquet)	7362656, 7275997	A7TW11001 & Above, A7TW11001 - A7TW11005, AZN711001 & Above	I-U-10	40 mm	70 mm	BCK-7325324	84.09
	7362656, 7275997	ATZD11001 & Above, AZN611001 & Above	I-U-10	40 mm	70 mm	BCK-7325324	84.09
	7362656, 7275997	B42811001 & Above	I-U-10	40 mm	70 mm	BCK-7325324	84.09
	7362656, 7275997	B42T11001 & Above	I-U-10	40 mm	70 mm	BCK-7325324	84.09
	7362656, 7275997	B4KA11001 & Above	I-U-10	40 mm	70 mm	BCK-7325324	84.09
TILT	7338638	A7TV11001 & Above	I-U-10	1-1/2	2-3/4	BCK-7199903	36.96
	7338638	ALR811001 & Above	I-U-10	1-1/2	2-3/4	BCK-7199903	36.96
TILT (Roquet)	7362657	B4KA11001 & Above	I-U-10	40 mm	70 mm	BCK-7325333	72.64
	7362657, 7275998	A7TW11001 & Above, A7TW11001 - A7TW11005, AZN711001 & Above	I-U-10	40 mm	70 mm	BCK-7325333	72.64
	7362657, 7275998	ATZD11001 & Above, AZN611001 & Above	I-U-10	40 mm	70 mm	BCK-7325333	72.64
	7362657, 7275998	B42811001 & Above	I-U-10	40 mm	70 mm	BCK-7325333	72.64
	7362657, 7275998	B42T11001 & Above	I-U-10	40 mm	70 mm	BCK-7325333	72.64
MODEL S570							
LIFT	7152266	A7U711001 & Above	I-U-10	1-5/8	2-3/4	BCK-7135489	39.11
	7152266	A7U811001 & Above, A7U811001 - A7U811005, AZNC11001 & Above	I-U-10	1-5/8	2-3/4	BCK-7135489	39.11
	7152266	ALM411001 & Above	I-U-10	1-5/8	2-3/4	BCK-7135489	39.11
	7152266	AZNB11001 & Above	I-U-10	1-5/8	2-3/4	BCK-7135489	39.11
LIFT (Cushion)	7256068	A7U711001 & Above	I-U-10	1-5/8	2-3/4	BCK-7135489	39.11
	7256068	A7U811001 & Above, A7U811001 - A7U811005, AZNC11001 & Above	I-U-10	1-5/8	2-3/4	BCK-7135489	39.11
	7256068	ALM411001 & Above	I-U-10	1-5/8	2-3/4	BCK-7135489	39.11
	7256068	AZNB11001 & Above	I-U-10	1-5/8	2-3/4	BCK-7135489	39.11
	7256068	B3GZ11001 & Above	I-U-10	1-5/8	2-3/4	BCK-7135489	39.11

BOBCAT

Replacement Kits For

BOBCAT

Loaders - Skid Steer

APPLICATION	CYL #	SERIAL #	CODE	ROD	BORE	KIT #	List \$
MODEL S570							
LIFT (Roquet)	7275997	A7U811001 & Above, A7U811001 - A7U811005, AZNC11001 & Above	I-U-10	40 mm	70 mm	BCK-7325324	84.09
	7275997	AZNB11001 & Above	I-U-10	40 mm	70 mm	BCK-7325324	84.09
	7275997	B3GZ11001 & Above	I-U-10	40 mm	70 mm	BCK-7325324	84.09
TILT		A7U711001 & Above	I-U-10	1-1/2	2-3/4	BCK-7199903	36.96
		A7U811001 & Above, A7U811001 - A7U811005, AZNC11001 & Above	I-U-10	1-1/2	2-3/4	BCK-7199903	36.96
		ALM411001 & Above	I-U-10	1-1/2	2-3/4	BCK-7199903	36.96
		AZNB11001 & Above	I-U-10	1-1/2	2-3/4	BCK-7199903	36.96
		B3GZ11001 & Above	I-U-10	1-1/2	2-3/4	BCK-7199903	36.96
	7338638	A7U711001 & Above	I-U-10	1-1/2	2-3/4	BCK-7199903	36.96
	7338638	ALM411001 & Above	I-U-10	1-1/2	2-3/4	BCK-7199903	36.96
	TILT (Roquet)	7275998	A7U811001 & Above, A7U811001 - A7U811005, AZNC11001 & Above	I-U-10	40 mm	70 mm	BCK-7325333
	7275998	AZNB11001 & Above	I-U-10	40 mm	70 mm	BCK-7325333	72.64
	7275998	B3GZ11001 & Above	I-U-10	40 mm	70 mm	BCK-7325333	72.64
MODEL S590							
LIFT	7152266	ANMN11001 & Above	I-U-10	1-5/8	2-3/4	BCK-7135489	39.11
	7152266	ANMP11001 - ANMP11005, AZNE11001 & Above	I-U-10	1-5/8	2-3/4	BCK-7135489	39.11
	7152266	AR9R11001 & Above	I-U-10	1-5/8	2-3/4	BCK-7135489	39.11
	7152266	AZND11001 & Above	I-U-10	1-5/8	2-3/4	BCK-7135489	39.11
LIFT (Cushion)	7256068	ANMN11001 & Above	I-U-10	1-5/8	2-3/4	BCK-7135489	39.11
	7256068	ANMP11001 - ANMP11005, AZNE11001 & Above	I-U-10	1-5/8	2-3/4	BCK-7135489	39.11
	7256068	AR9R11001 & Above	I-U-10	1-5/8	2-3/4	BCK-7135489	39.11
	7256068	AZND11001 & Above	I-U-10	1-5/8	2-3/4	BCK-7135489	39.11
	7256068	B3H11001 & Above	I-U-10	1-5/8	2-3/4	BCK-7135489	39.11
	7256068	B3H11001 & Above	I-U-10	1-5/8	2-3/4	BCK-7135489	39.11
LIFT (Roquet)	7362656, 7275997	ANMP11001 - ANMP11005, AZNE11001 & Above	I-U-10	40 mm	70 mm	BCK-7325324	84.09
	7362656, 7275997	AZND11001 & Above	I-U-10	40 mm	70 mm	BCK-7325324	84.09
	7362656, 7275997	B3H11001 & Above	I-U-10	40 mm	70 mm	BCK-7325324	84.09
	7362656, 7275997	B4TP11001 & Above	I-U-10	40 mm	70 mm	BCK-7325324	84.09
TILT	7338638	ANMN11001 & Above	I-U-10	1-1/2	2-3/4	BCK-7199903	36.96
	7338638	AR9R11001 & Above	I-U-10	1-1/2	2-3/4	BCK-7199903	36.96
TILT (Roquet Field Replacement)	7362657, 7275998	ANMP11001 - ANMP11005, AZNE11001 & Above	I-U-10	40 mm	70 mm	BCK-7325333	72.64
TILT (Roquet)	7362657, 7275998	AZND11001 & Above	I-U-10	40 mm	70 mm	BCK-7325333	72.64
	7362657, 7275998	B3H11001 & Above	I-U-10	40 mm	70 mm	BCK-7325333	72.64
	7362657, 7275998	B4TP11001 & Above	I-U-10	40 mm	70 mm	BCK-7325333	72.64
MODEL S595							
ATTACHMENT	7227463	B3NL11001-	I-U-10	1	1-3/4	BCK-7138014	30.62
	7227570	B3NL11001-	I-U-10	1	1-1/2	BCK-7155417	57.10
	7307224	B3NL11001-	I-U-10	1	1-1/2	BCK-7155417	57.10
	7362530	B3NL11001-	I-U-10	1	1-1/2	BCK-7155417	57.10
	7365351	B3NL11001-	I-U-10	1	1-3/4	BCK-7138014	30.62

BOBCAT

Replacement Kits For

BOBCAT

Loaders - Skid Steer							
APPLICATION	CYL #	SERIAL #	CODE	ROD	BORE	KIT #	List \$
MODEL S595							
ATTACHMENT	7415655	B3NL11001-	P-U-10	25 mm	1-1/2	BCK-7452890	76.37
LIFT (Cushion)	7256068	B3NL11001-	I-U-10	1-5/8	2-3/4	BCK-7135489	39.11
TILT (34.14in Ext Len)	7338638	B3NL11001-	I-U-10	1-1/2	2-3/4	BCK-7199903	36.96
TILT (34.28in Ext Len)	7151185	B3NL11001-	I-U-10	1-1/2	2-3/4	BCK-7199903	36.96
MODEL S630							
LIFT	7256566	A3NT11001 & Above, A3NU11001 & Above	I-U-10	1-3/4	2-1/2	BCK-7137869	53.29
	7256566	AHGL11001 & Above	I-U-10	1-3/4	2-1/2	BCK-7137869	53.29
LIFT (Cushioned)	7250302	A3NT11001 & Above, A3NU11001 & Above	I-U-10	1-3/4	2-1/2	BCK-7137869	53.29
	7250302	AHGL11001 & Above	I-U-10	1-3/4	2-1/2	BCK-7137869	53.29
	7250302	B2L511001 & Above	I-U-10	1-3/4	2-1/2	BCK-7137869	53.29
TILT (LH w/o Piston Collar)	7222704 (w/ Ø1.50 shaft)	A3NT11001 & Above, A3NU11001 & Above	I-U-10	1-1/2	3	BCK-7225491	47.68
	7222704 (w/ Ø1.62 shaft)	A3NT11001 & Above, A3NU11001 & Above	I-U-10	1-5/8	3	BCK-7202518	54.64
TILT (LH w/Piston Collar)	7235738	A3NT11001 & Above, A3NU11001 & Above	I-U-10	1-1/2	3	BCK-7225491	47.68
TILT (LH)	7150357	A3NT11001 & Above, A3NU11001 & Above	I-U-10	1-5/8	3	BCK-7137939	54.84
	7205266	A3NT11001 & Above, A3NU11001 & Above	I-U-10	1-5/8	3	BCK-7202518	54.64
	7235738	AHGL11001 & Above	I-U-10	1-1/2	3	BCK-7225491	47.68
	7235738	B2L511001 & Above	I-U-10	1-1/2	3	BCK-7225491	47.68
TILT (RH w/o Piston Collar)	7222483 (w/ Ø1.50 shaft)	A3NT11001 & Above, A3NU11001 & Above	I-U-10	1-1/2	3	BCK-7225491	47.68
	7222483 (w/ Ø1.62 shaft)	A3NT11001 & Above, A3NU11001 & Above	I-U-10	1-5/8	3	BCK-7202518	54.64
TILT (RH w/Piston Collar)	7235736	A3NT11001 & Above, A3NU11001 & Above	I-U-10	1-1/2	3	BCK-7225491	47.68
TILT (RH)	7154161	A3NT11001 & Above, A3NU11001 & Above	I-U-10	1-5/8	3	BCK-7137939	54.84
	7205267	A3NT11001 & Above, A3NU11001 & Above	I-U-10	1-5/8	3	BCK-7202518	54.64
	7235736	AHGL11001 & Above	I-U-10	1-1/2	3	BCK-7225491	47.68
	7235736	B2L511001 & Above	I-U-10	1-1/2	3	BCK-7225491	47.68
MODEL S650							
LIFT	7203496	A3NV11001 & Above, A3NW11001 & Above	I-U-10	1-3/4	3	BCK-7225639	61.47
	7203496	ALJ811001 & Above	I-U-10	1-3/4	3	BCK-7225639	61.47
LIFT (Cushion)	7232657	1MLS11001 & Above, 1MLS11001 - 11030	I-U-10	1-3/4	3	BCK-7225639	61.47
	7232657	A3NV11001 & Above, A3NW11001 & Above	I-U-10	1-3/4	3	BCK-7225639	61.47
	7232657	ALJ811001 & Above	I-U-10	1-3/4	3	BCK-7225639	61.47
	7232657	B2LA11001 & Above	I-U-10	1-3/4	3	BCK-7225639	61.47
	7232657	S1ML11001 & Above	I-U-10	1-3/4	3	BCK-7225639	61.47
TILT (LH)		A3NV11001 & Above, A3NW11001 & Above	I-U-10	1-1/2	3	BCK-7225491	47.68
	7205266	A3NV11001 & Above, A3NW11001 & Above	I-U-10	1-5/8	3	BCK-7202518	54.64
	7235736, 7235738	A3NV11001 & Above, A3NW11001 & Above	I-U-10	1-5/8	3	BCK-7137939	54.84
	7235738	1MLS11001 & Above, 1MLS11001 - 11030	I-U-10	1-1/2	3	BCK-7225491	47.68
	7235738	A3NV11001 & Above, A3NW11001 & Above	I-U-10	1-1/2	3	BCK-7225491	47.68
	7235738	ALJ811001 & Above	I-U-10	1-1/2	3	BCK-7225491	47.68
	7235738	B2LA11001 & Above	I-U-10	1-1/2	3	BCK-7225491	47.68

BOBCAT

Replacement Kits For

BOBCAT

Loaders - Skid Steer

APPLICATION	CYL #	SERIAL #	CODE	ROD	BORE	KIT #	List \$
MODEL S650							
TILT (LH)	7235738	S1ML11001 & Above	I-U-10	1-1/2	3	BCK-7225491	47.68
TILT (RH)		A3NV11001 & Above, A3NW11001 & Above	I-U-10	1-5/8	3	BCK-7202518	54.64
		A3NV11001 & Above, A3NW11001 & Above	I-U-10	1-1/2	3	BCK-7225491	47.68
	7235736	1MLS11001 & Above, 1MLS11001 - 11030	I-U-10	1-1/2	3	BCK-7225491	47.68
	7235736	A3NV11001 & Above, A3NW11001 & Above	I-U-10	1-1/2	3	BCK-7225491	47.68
	7235736	ALJ811001 & Above	I-U-10	1-1/2	3	BCK-7225491	47.68
	7235736	B2LA11001 & Above	I-U-10	1-1/2	3	BCK-7225491	47.68
	7235736	S1ML11001 & Above	I-U-10	1-1/2	3	BCK-7225491	47.68
	7235736, 7235738	A3NV11001 & Above, A3NW11001 & Above	I-U-10	1-5/8	3	BCK-7137939	54.84
MODEL S740							
ATTACHMENT	7227570	B3BT11001-	I-U-10	1	1-1/2	BCK-7155417	57.10
	7307224	B3BT11001-	I-U-10	1	1-1/2	BCK-7155417	57.10
	7362530	B3BT11001-	I-U-10	1	1-1/2	BCK-7155417	57.10
	7415655	B3BT11001-	P-U-10	25 mm	1-1/2	BCK-7452890	76.37
LIFT	7245374	B3BT11001-	I-U-10	2	3-1/4	BCK-7161903	105.32
TILT LH	7367893	B3BT11001-	I-U-10	1-1/2	3	BCK-7225491	47.68
TILT RH	7367892	B3BT11001-	I-U-10	1-1/2	3	BCK-7225491	47.68
MODEL S750							
LIFT	7203494	A3P211001 & Above	I-U-10	1-3/4	3	BCK-7225639	61.47
	7203494	ATDZ11001 & Above	I-U-10	1-3/4	3	BCK-7225639	61.47
	7245374	A3P211001 & Above	I-U-10	2	3-1/4	BCK-7161903	105.32
	7245374	AT5211001 & Above	I-U-10	2	3-1/4	BCK-7161903	105.32
	7245374	ATDZ11001 & Above	I-U-10	2	3-1/4	BCK-7161903	105.32
TILT (LH)		A3P211001 & Above	I-U-10	1-1/2	3	BCK-7225491	47.68
		A3P211001 & Above	I-U-10	1-5/8	3	BCK-7202518	54.64
		ATDZ11001 & Above	I-U-10	1-1/2	3	BCK-7225491	47.68
	7235736, 7235738	A3P211001 & Above	I-U-10	1-5/8	3	BCK-7137939	54.84
	7235738	A3P211001 & Above	I-U-10	1-1/2	3	BCK-7225491	47.68
	7235738	AT5211001 & Above	I-U-10	1-1/2	3	BCK-7225491	47.68
	7235738	ATDZ11001 & Above	I-U-10	1-1/2	3	BCK-7225491	47.68
TILT (RH)		A3P211001 & Above	I-U-10	1-5/8	3	BCK-7202518	54.64
		A3P211001 & Above	I-U-10	1-1/2	3	BCK-7225491	47.68
		ATDZ11001 & Above	I-U-10	1-1/2	3	BCK-7225491	47.68
	7205267	ATDZ11001 & Above	I-U-10	1-5/8	3	BCK-7202518	54.64
	7235736	A3P211001 & Above	I-U-10	1-1/2	3	BCK-7225491	47.68
	7235736	AT5211001 & Above	I-U-10	1-1/2	3	BCK-7225491	47.68
	7235736	ATDZ11001 & Above	I-U-10	1-1/2	3	BCK-7225491	47.68
	7235736, 7235738	A3P211001 & Above	I-U-10	1-5/8	3	BCK-7137939	54.84
MODEL S770							
LIFT	7203494	A3P411001 & Above, A3P511001 & Above	I-U-10	1-3/4	3	BCK-7225639	61.47
	7203494	ASRV11001 & Above	I-U-10	1-3/4	3	BCK-7225639	61.47
	7203494	ATF211001 & Above, ATF311001 & Above	I-U-10	1-3/4	3	BCK-7225639	61.47
	7245374	A3P411001 & Above, A3P511001 & Above	I-U-10	2	3-1/4	BCK-7161903	105.32
	7245374	ASRV11001 & Above	I-U-10	2	3-1/4	BCK-7161903	105.32
	7245374	AT5A11001 & Above	I-U-10	2	3-1/4	BCK-7161903	105.32
	7245374	ATF211001 & Above, ATF311001 & Above	I-U-10	2	3-1/4	BCK-7161903	105.32

BOBCAT

Replacement Kits For

BOBCAT

Loaders - Skid Steer							
APPLICATION	CYL #	SERIAL #	CODE	ROD	BORE	KIT #	List \$
MODEL S770							
LIFT	7245374	B3BV11001 & Above	I-U-10	2	3-1/4	BCK-7161903	105.32
TILT	7235738	B3BV11001 & Above	I-U-10	1-1/2	3	BCK-7225491	47.68
TILT (LH w/o Piston Collar)	7222704 (w/ Ø1.50 shaft)	A3P411001 & Above, A3P511001 & Above	I-U-10	1-1/2	3	BCK-7225491	47.68
	7222704 (w/ Ø1.50 shaft)	ASRV11001 & Above	I-U-10	1-1/2	3	BCK-7225491	47.68
	7222704 (w/ Ø1.50 shaft)	ATF211001 & Above, ATF311001 & Above	I-U-10	1-1/2	3	BCK-7225491	47.68
	7222704 (w/ Ø1.62 shaft)	A3P411001 & Above, A3P511001 & Above	I-U-10	1-5/8	3	BCK-7202518	54.64
	7222704 (w/ Ø1.62 shaft)	ASRV11001 & Above	I-U-10	1-5/8	3	BCK-7202518	54.64
	7222704 (w/ Ø1.62 shaft)	ATF211001 & Above, ATF311001 & Above	I-U-10	1-5/8	3	BCK-7202518	54.64
	TILT (LH w/Piston Collar)	7235738	A3P411001 & Above, A3P511001 & Above	I-U-10	1-1/2	3	BCK-7225491
7235738		ASRV11001 & Above	I-U-10	1-1/2	3	BCK-7225491	47.68
7235738		ATF211001 & Above, ATF311001 & Above	I-U-10	1-1/2	3	BCK-7225491	47.68
7367893		A3P411001 & Above, A3P511001 & Above	I-U-10	1-1/2	3	BCK-7225491	47.68
7367893		ASRV11001 & Above	I-U-10	1-1/2	3	BCK-7225491	47.68
7367893		ATF211001 & Above, ATF311001 & Above	I-U-10	1-1/2	3	BCK-7225491	47.68
TILT (LH)	7150357	A3P411001 & Above, A3P511001 & Above	I-U-10	1-5/8	3	BCK-7137939	54.84
	7205266	A3P411001 & Above, A3P511001 & Above	I-U-10	1-5/8	3	BCK-7202518	54.64
	7205266	ASRV11001 & Above	I-U-10	1-5/8	3	BCK-7202518	54.64
	7205266	ATF211001 & Above, ATF311001 & Above	I-U-10	1-5/8	3	BCK-7202518	54.64
	7235738	AT5A11001 & Above	I-U-10	1-1/2	3	BCK-7225491	47.68
	7367893	AT5A11001 & Above	I-U-10	1-1/2	3	BCK-7225491	47.68
	7367893	B3BV11001 & Above	I-U-10	1-1/2	3	BCK-7225491	47.68
TILT (RH w/o Piston Collar)	7222483 (w/ Ø1.50 shaft)	A3P411001 & Above, A3P511001 & Above	I-U-10	1-1/2	3	BCK-7225491	47.68
	7222483 (w/ Ø1.50 shaft)	ASRV11001 & Above	I-U-10	1-1/2	3	BCK-7225491	47.68
	7222483 (w/ Ø1.50 shaft)	ATF211001 & Above, ATF311001 & Above	I-U-10	1-1/2	3	BCK-7225491	47.68
	7222483 (w/ Ø1.62 shaft)	A3P411001 & Above, A3P511001 & Above	I-U-10	1-5/8	3	BCK-7202518	54.64
	7222483 (w/ Ø1.62 shaft)	ASRV11001 & Above	I-U-10	1-5/8	3	BCK-7202518	54.64
	7222483 (w/ Ø1.62 shaft)	ATF211001 & Above, ATF311001 & Above	I-U-10	1-5/8	3	BCK-7202518	54.64
	TILT (RH w/Piston Collar)	7235736	A3P411001 & Above, A3P511001 & Above	I-U-10	1-1/2	3	BCK-7225491
7235736		ASRV11001 & Above	I-U-10	1-1/2	3	BCK-7225491	47.68
7235736		ATF211001 & Above, ATF311001 & Above	I-U-10	1-1/2	3	BCK-7225491	47.68
7367892		A3P411001 & Above, A3P511001 & Above	I-U-10	1-1/2	3	BCK-7225491	47.68
7367892		ASRV11001 & Above	I-U-10	1-1/2	3	BCK-7225491	47.68
7367892		ATF211001 & Above, ATF311001 & Above	I-U-10	1-1/2	3	BCK-7225491	47.68
TILT (RH)	7154161	A3P411001 & Above, A3P511001 & Above	I-U-10	1-5/8	3	BCK-7137939	54.84
	7205267	A3P411001 & Above, A3P511001 & Above	I-U-10	1-5/8	3	BCK-7202518	54.64

BOBCAT

Replacement Kits For

BOBCAT

Loaders - Skid Steer

APPLICATION	CYL #	SERIAL #	CODE	ROD	BORE	KIT #	List \$
MODEL S770							
TILT (RH)	7205267	ASRV11001 & Above	I-U-10	1-5/8	3	BCK-7202518	54.64
	7205267	ATF211001 & Above, ATF311001 & Above	I-U-10	1-5/8	3	BCK-7202518	54.64
	7235736	AT5A11001 & Above	I-U-10	1-1/2	3	BCK-7225491	47.68
	7235736	B3BV11001 & Above	I-U-10	1-1/2	3	BCK-7225491	47.68
	7367892	AT5A11001 & Above	I-U-10	1-1/2	3	BCK-7225491	47.68
	7367892	B3BV11001 & Above	I-U-10	1-1/2	3	BCK-7225491	47.68

Loaders - Track Skid Steer

APPLICATION	CYL #	SERIAL #	CODE	ROD	BORE	KIT #	List \$
MODEL T180							
LIFT	6811994	524211001 & Above, 527511001 & Above, 527611001 & Above	I-U-10	1-1/2	2-1/4	BCK-7135557	55.41
	6811994	531411001 & Above, 531511001 & Above	I-U-10	1-1/2	2-1/4	BCK-7135557	55.41
	6811994	A3LL11001 & Above	I-U-10	1-1/2	2-1/4	BCK-7135557	55.41
TILT	7117174	524211001 & Above, 527511001 & Above, 527611001 & Above	I-U-10	1-3/8	2-3/4	BCK-6806330	50.15
	7117174	531411001 & Above, 531511001 & Above	I-U-10	1-3/8	2-3/4	BCK-6806330	50.15
	7117174	A3LL11001 & Above	I-U-10	1-3/8	2-3/4	BCK-6806330	50.15
MODEL T190							
LIFT	7117667	519311001 & Above, 519411001 & Above, 527011001 & Above, 527911001 & Above	I-U-10	1-1/2	2-1/2	BCK-7135559	55.01
	7117667	527711001 & Above, 527811001 & Above	I-U-10	1-1/2	2-1/2	BCK-7135559	55.01
	7117667	531611001 & Above, 531711001 & Above	I-U-10	1-1/2	2-1/2	BCK-7135559	55.01
	7117667	A3LN11001 & Above, A3LP11001 & Above	I-U-10	1-1/2	2-1/2	BCK-7135559	55.01
TILT	7117174	519311001 & Above, 519411001 & Above, 527011001 & Above, 527911001 & Above	I-U-10	1-3/8	2-3/4	BCK-6806330	50.15
	7117174	527711001 & Above, 527811001 & Above	I-U-10	1-3/8	2-3/4	BCK-6806330	50.15
	7117174	531611001 & Above, 531711001 & Above	I-U-10	1-3/8	2-3/4	BCK-6806330	50.15
	7117174	A3LN11001 & Above, A3LP11001 & Above	I-U-10	1-3/8	2-3/4	BCK-6806330	50.15
MODEL T250							
LIFT	6815757	523011001 & Above, 523111001 & Above, 525611001 & Above, 525711001 & Above	I-U-10	1-3/4	2-1/2	BCK-7137865	39.48
	6815757	531811001 & Above, 531911001 & Above	I-U-10	1-3/4	2-1/2	BCK-7137865	39.48
	6815757	A5GS11001 & Above, A5GT11001 & Above	I-U-10	1-3/4	2-1/2	BCK-7137865	39.48
TILT	7208419	523011001 & Above, 523111001 & Above, 525611001 & Above, 525711001 & Above	I-U-10	1-1/2	3	BCK-7135547	55.00
	7208419	531811001 & Above, 531911001 & Above	I-U-10	1-1/2	3	BCK-7135547	55.00
	7208419	A5GS11001 & Above, A5GT11001 & Above	I-U-10	1-1/2	3	BCK-7135547	55.00

BOBCAT

Replacement Kits For

BOBCAT

Loaders - Track Skid Steer

APPLICATION	CYL #	SERIAL #	CODE	ROD	BORE	KIT #	List \$
MODEL T300							
LIFT	6817310	521911001 & Above, 522011001 & Above, 525411001 & Above, 525511001 & Above	I-U-10	1-5/8	3	BCK-7137939	54.84
	7106456	532011001 & Above, 532111001 & Above	I-U-10	1-5/8	3	BCK-7137939	54.84
	7106456	A5GU11001 & Above, A5GV11001 & Above	I-U-10	1-5/8	3	BCK-7137939	54.84
TILT	7208419	521911001 & Above, 522011001 & Above, 525411001 & Above, 525511001 & Above	I-U-10	1-1/2	3	BCK-7135547	55.00
	7208419	532011001 & Above, 532111001 & Above	I-U-10	1-1/2	3	BCK-7135547	55.00
	7208419	A5GU11001 & Above, A5GV11001 & Above	I-U-10	1-1/2	3	BCK-7135547	55.00
MODEL T320							
LIFT	7106456	A7MP11001 & Above, AAKZ11001 & Above	I-U-10	1-5/8	3	BCK-7137939	54.84
TILT	7208419	A7MP11001 & Above, AAKZ11001 & Above	I-U-10	1-1/2	3	BCK-7135547	55.00
MODEL T450							
ATTACHMENT	7227463	AUVP11001-	I-U-10	1	1-3/4	BCK-7138014	30.62
	7227570	AUVP11001-	I-U-10	1	1-1/2	BCK-7155417	57.10
	7307224	AUVP11001-	I-U-10	1	1-1/2	BCK-7155417	57.10
	7362530	AUVP11001-	I-U-10	1	1-1/2	BCK-7155417	57.10
	7365351	AUVP11001-	I-U-10	1	1-3/4	BCK-7138014	30.62
	7415655	AUVP11001-	P-U-10	25 mm	1-1/2	BCK-7452890	76.37
LIFT (Wahpeton)	7200227	AUVP11001-	I-U-10	1-1/4	2	BCK-7137770	49.31
TILT (Wahpeton)	7209958	AUVP11001-	I-U-10	1-1/4	2-3/8	BCK-7236275	72.21
MODEL T550							
LIFT	7152121	A7UJ11001 & Above	I-U-10	1-1/2	2-1/4	BCK-7135557	55.41
	7152121	AJZV11001 & Above	I-U-10	1-1/2	2-1/4	BCK-7135557	55.41
LIFT (Cushion)	7323801	A7UJ11001 & Above	I-U-10	1-1/2	2-1/4	BCK-7135557	55.41
	7323801	AJZV11001 & Above	I-U-10	1-1/2	2-1/4	BCK-7135557	55.41
TILT	7338638	A7UJ11001 & Above	I-U-10	1-1/2	2-3/4	BCK-7199903	36.96
	7338638	AJZV11001 & Above	I-U-10	1-1/2	2-3/4	BCK-7199903	36.96
MODEL T590							
LIFT	7152266	A3NR11001 & Above	I-U-10	1-5/8	2-3/4	BCK-7135489	39.11
	7152266	A3NS11001 & Above	I-U-10	1-5/8	2-3/4	BCK-7135489	39.11
	7152266	ALJU11001 & Above	I-U-10	1-5/8	2-3/4	BCK-7135489	39.11
	7152266	B37811001 & Above	I-U-10	1-5/8	2-3/4	BCK-7135489	39.11
LIFT (Cushion)	7256068	A3NR11001 & Above	I-U-10	1-5/8	2-3/4	BCK-7135489	39.11
	7256068	A3NS11001 & Above	I-U-10	1-5/8	2-3/4	BCK-7135489	39.11
	7256068	ALJU11001 & Above	I-U-10	1-5/8	2-3/4	BCK-7135489	39.11
	7256068	B37811001 & Above	I-U-10	1-5/8	2-3/4	BCK-7135489	39.11
	7256068	B3Z711001 & Above	I-U-10	1-5/8	2-3/4	BCK-7135489	39.11
	7256068	B3ZA11001 & Above	I-U-10	1-5/8	2-3/4	BCK-7135489	39.11
LIFT (Roquet)	7275997	B3Z711001 & Above	I-U-10	40 mm	70 mm	BCK-7325324	84.09
	7275997	B3ZA11001 & Above	I-U-10	40 mm	70 mm	BCK-7325324	84.09
TILT		A3NR11001 & Above	I-U-10	1-1/2	2-3/4	BCK-7199903	36.96
		A3NS11001 & Above	I-U-10	1-1/2	2-3/4	BCK-7199903	36.96
		B37811001 & Above	I-U-10	1-1/2	2-3/4	BCK-7199903	36.96
		B3Z711001 & Above	I-U-10	1-1/2	2-3/4	BCK-7199903	36.96
		B3ZA11001 & Above	I-U-10	1-1/2	2-3/4	BCK-7199903	36.96
	7338638	A3NR11001 & Above	I-U-10	1-1/2	2-3/4	BCK-7199903	36.96
	7338638	A3NS11001 & Above	I-U-10	1-1/2	2-3/4	BCK-7199903	36.96
	7338638	ALJU11001 & Above	I-U-10	1-1/2	2-3/4	BCK-7199903	36.96

BOBCAT

Replacement Kits For

BOBCAT

Loaders - Track Skid Steer

APPLICATION	CYL #	SERIAL #	CODE	ROD	BORE	KIT #	List \$
MODEL T590							
TILT	7338638	B37811001 & Above	I-U-10	1-1/2	2-3/4	BCK-7199903	36.96
TILT (Roquet)	7275998	B3Z711001 & Above	I-U-10	40 mm	70 mm	BCK-7325333	72.64
	7275998	B3ZA11001 & Above	I-U-10	40 mm	70 mm	BCK-7325333	72.64
MODEL T595							
ATTACHMENT	7227463	B3NK11001-	I-U-10	1	1-3/4	BCK-7138014	30.62
	7307224	B3NK11001-	I-U-10	1	1-1/2	BCK-7155417	57.10
	7362530	B3NK11001-; B57U11001-	I-U-10	1	1-1/2	BCK-7155417	57.10
	7365351	B3NK11001-	I-U-10	1	1-3/4	BCK-7138014	30.62
	7415655	B3NK11001-; B57U11001-	P-U-10	25 mm	1-1/2	BCK-7452890	76.37
LIFT	7256068	B3NK11001-	I-U-10	1-5/8	2-3/4	BCK-7135489	39.11
LIFT (Roquet)	7362656	B57U11001-	I-U-10	40 mm	70 mm	BCK-7325324	84.09
TILT	7151185	B3NK11001-	I-U-10	1-1/2	2-3/4	BCK-7199903	36.96
	7338638	B3NK11001-	I-U-10	1-1/2	2-3/4	BCK-7199903	36.96
TILT (Roquet)	7362657	B57U11001-	I-U-10	40 mm	70 mm	BCK-7325333	72.64
MODEL T630							
LIFT	7256566	A7PU11001 & Above	I-U-10	1-3/4	2-1/2	BCK-7137869	53.29
	7256566	AJDT11001 & Above	I-U-10	1-3/4	2-1/2	BCK-7137869	53.29
LIFT (Cushion)	7250302	A7PU11001 & Above	I-U-10	1-3/4	2-1/2	BCK-7137869	53.29
	7250302	AJDT11001 & Above	I-U-10	1-3/4	2-1/2	BCK-7137869	53.29
TILT (LH w/o Piston Collar)	7222704 (w/ Ø1.50 shaft)	A7PU11001 & Above	I-U-10	1-1/2	3	BCK-7225491	47.68
	7222704 (w/ Ø1.62 shaft)	A7PU11001 & Above	I-U-10	1-5/8	3	BCK-7202518	54.64
TILT (LH w/Piston Collar)	7235738	A7PU11001 & Above	I-U-10	1-1/2	3	BCK-7225491	47.68
	7367893	A7PU11001 & Above	I-U-10	1-1/2	3	BCK-7225491	47.68
TILT (LH)	7150357	A7PU11001 & Above	I-U-10	1-5/8	3	BCK-7137939	54.84
	7205266	A7PU11001 & Above	I-U-10	1-5/8	3	BCK-7202518	54.64
	7235738	AJDT11001 & Above	I-U-10	1-1/2	3	BCK-7225491	47.68
	7367893	AJDT11001 & Above	I-U-10	1-1/2	3	BCK-7225491	47.68
TILT (RH w/o Piston Collar)	7222483 (w/ Ø1.50 shaft)	A7PU11001 & Above	I-U-10	1-1/2	3	BCK-7225491	47.68
	7222483 (w/ Ø1.62 shaft)	A7PU11001 & Above	I-U-10	1-5/8	3	BCK-7202518	54.64
TILT (RH w/Piston Collar)	7235736	A7PU11001 & Above	I-U-10	1-1/2	3	BCK-7225491	47.68
	7367892	A7PU11001 & Above	I-U-10	1-1/2	3	BCK-7225491	47.68
TILT (RH)	7154161	A7PU11001 & Above	I-U-10	1-5/8	3	BCK-7137939	54.84
	7205267	A7PU11001 & Above	I-U-10	1-5/8	3	BCK-7202518	54.64
	7235736	AJDT11001 & Above	I-U-10	1-1/2	3	BCK-7225491	47.68
	7367892	AJDT11001 & Above	I-U-10	1-1/2	3	BCK-7225491	47.68
MODEL T650							
LIFT	7203496	A3P011001 & Above, A3P111001 & Above	I-U-10	1-3/4	3	BCK-7225639	61.47
	7203496	ALJG11001 & Above	I-U-10	1-3/4	3	BCK-7225639	61.47
LIFT (Cushion)	7232657	1MLT11001 & Above, 1MLT11001-11010	I-U-10	1-3/4	3	BCK-7225639	61.47
	7232657	A3P011001 & Above, A3P111001 & Above	I-U-10	1-3/4	3	BCK-7225639	61.47
	7232657	ALJG11001 & Above	I-U-10	1-3/4	3	BCK-7225639	61.47
	7232657	B2KZ11001 & Above	I-U-10	1-3/4	3	BCK-7225639	61.47
	7232657	T1ML11001 & Above	I-U-10	1-3/4	3	BCK-7225639	61.47
TILT (LH)		A3P011001 & Above, A3P111001 & Above	I-U-10	1-1/2	3	BCK-7225491	47.68
	7205266	A3P011001 & Above, A3P111001 & Above	I-U-10	1-5/8	3	BCK-7202518	54.64
	7235736, 7235738	A3P011001 & Above, A3P111001 & Above	I-U-10	1-5/8	3	BCK-7137939	54.84

BOBCAT

Replacement Kits For

BOBCAT

Loaders - Track Skid Steer

APPLICATION	CYL #	SERIAL #	CODE	ROD	BORE	KIT #	List \$	
MODEL T650								
TILT (LH)	7235738	1MLT11001 & Above, 1MLT11001-11010	I-U-10	1-1/2	3	BCK-7225491	47.68	
	7235738	A3P011001 & Above, A3P111001 & Above	I-U-10	1-1/2	3	BCK-7225491	47.68	
	7235738	ALJG11001 & Above	I-U-10	1-1/2	3	BCK-7225491	47.68	
	7235738	B2KZ11001 & Above	I-U-10	1-1/2	3	BCK-7225491	47.68	
	7235738	T1ML11001 & Above	I-U-10	1-1/2	3	BCK-7225491	47.68	
TILT (RH)		A3P011001 & Above, A3P111001 & Above	I-U-10	1-1/2	3	BCK-7225491	47.68	
	7205267	A3P011001 & Above, A3P111001 & Above	I-U-10	1-5/8	3	BCK-7202518	54.64	
	7235736	1MLT11001 & Above, 1MLT11001-11010	I-U-10	1-1/2	3	BCK-7225491	47.68	
	7235736	A3P011001 & Above, A3P111001 & Above	I-U-10	1-1/2	3	BCK-7225491	47.68	
	7235736	ALJG11001 & Above	I-U-10	1-1/2	3	BCK-7225491	47.68	
	7235736	B2KZ11001 & Above	I-U-10	1-1/2	3	BCK-7225491	47.68	
	7235736	T1ML11001 & Above	I-U-10	1-1/2	3	BCK-7225491	47.68	
	7235736, 7235738	A3P011001 & Above, A3P111001 & Above	I-U-10	1-5/8	3	BCK-7137939	54.84	
	MODEL T740							
	ATTACHMENT	7227570	B3CA11001-	I-U-10	1	1-1/2	BCK-7155417	57.10
7307224		B3CA11001-	I-U-10	1	1-1/2	BCK-7155417	57.10	
7362530		B3CA11001-	I-U-10	1	1-1/2	BCK-7155417	57.10	
7415655		B3CA11001-	P-U-10	25 mm	1-1/2	BCK-7452890	76.37	
LIFT	7245374	B3CA11001-	I-U-10	2	3-1/4	BCK-7161903	105.32	
TILT LH	7367893	B3CA11001-	I-U-10	1-1/2	3	BCK-7225491	47.68	
TILT RH	7367892	B3CA11001-	I-U-10	1-1/2	3	BCK-7225491	47.68	
MODEL T750								
LIFT	7203494	ANKA11001 & Above	I-U-10	1-3/4	3	BCK-7225639	61.47	
	7203494	ATF611001 & Above	I-U-10	1-3/4	3	BCK-7225639	61.47	
	7245374	ANKA11001 & Above	I-U-10	2	3-1/4	BCK-7161903	105.32	
	7245374	AT5T11001 & Above	I-U-10	2	3-1/4	BCK-7161903	105.32	
	7245374	ATF611001 & Above	I-U-10	2	3-1/4	BCK-7161903	105.32	
TILT (LH)		ANKA11001 & Above	I-U-10	1-1/2	3	BCK-7225491	47.68	
		ATF611001 & Above	I-U-10	1-5/8	3	BCK-7202518	54.64	
		ATF611001 & Above	I-U-10	1-1/2	3	BCK-7225491	47.68	
	7205266	ANKA11001 & Above	I-U-10	1-5/8	3	BCK-7202518	54.64	
	7235736, 7235738	ANKA11001 & Above	I-U-10	1-5/8	3	BCK-7137939	54.84	
	7235738	ANKA11001 & Above	I-U-10	1-1/2	3	BCK-7225491	47.68	
	7235738	AT5T11001 & Above	I-U-10	1-1/2	3	BCK-7225491	47.68	
	7235738	ATF611001 & Above	I-U-10	1-1/2	3	BCK-7225491	47.68	
		ANKA11001 & Above	I-U-10	1-1/2	3	BCK-7225491	47.68	
		ATF611001 & Above	I-U-10	1-1/2	3	BCK-7225491	47.68	
TILT (RH)	7205267	ANKA11001 & Above	I-U-10	1-5/8	3	BCK-7202518	54.64	
	7205267	ATF611001 & Above	I-U-10	1-5/8	3	BCK-7202518	54.64	
	7235736	ANKA11001 & Above	I-U-10	1-1/2	3	BCK-7225491	47.68	
	7235736	AT5T11001 & Above	I-U-10	1-1/2	3	BCK-7225491	47.68	
	7235736	ATF611001 & Above	I-U-10	1-1/2	3	BCK-7225491	47.68	
	7235736, 7235738	ANKA11001 & Above	I-U-10	1-5/8	3	BCK-7137939	54.84	
	MODEL T770							
	LIFT	7203494	A3P811001 & Above, A3P911001 & Above	I-U-10	1-3/4	3	BCK-7225639	61.47
		7203494	AN8T11001 & Above, ATF711001 & Above	I-U-10	1-3/4	3	BCK-7225639	61.47

BOBCAT

Replacement Kits For

BOBCAT

Loaders - Track Skid Steer

APPLICATION	CYL #	SERIAL #	CODE	ROD	BORE	KIT #	List \$	
MODEL T770								
LIFT	7203494	AUYB11001 & Above	I-U-10	1-3/4	3	BCK-7225639	61.47	
	7245374	A3P811001 & Above, A3P911001 & Above	I-U-10	2	3-1/4	BCK-7161903	105.32	
	7245374	AN8T11001 & Above, ATF711001 & Above	I-U-10	2	3-1/4	BCK-7161903	105.32	
	7245374	AT6311001 & Above	I-U-10	2	3-1/4	BCK-7161903	105.32	
	7245374	B3BW11001 & Above	I-U-10	2	3-1/4	BCK-7161903	105.32	
TILT (LH)		A3P811001 & Above, A3P911001 & Above	I-U-10	1-1/2	3	BCK-7225491	47.68	
		A3P811001 & Above, A3P911001 & Above	I-U-10	1-5/8	3	BCK-7137939	54.84	
		AN8T11001 & Above, ATF711001 & Above	I-U-10	1-5/8	3	BCK-7202518	54.64	
		AN8T11001 & Above, ATF711001 & Above	I-U-10	1-1/2	3	BCK-7225491	47.68	
		AUYB11001 & Above	I-U-10	1-5/8	3	BCK-7202518	54.64	
		AUYB11001 & Above	I-U-10	1-1/2	3	BCK-7225491	47.68	
	7205266	A3P811001 & Above, A3P911001 & Above	I-U-10	1-5/8	3	BCK-7202518	54.64	
	7235738	A3P811001 & Above, A3P911001 & Above	I-U-10	1-1/2	3	BCK-7225491	47.68	
	7235738	AN8T11001 & Above, ATF711001 & Above	I-U-10	1-1/2	3	BCK-7225491	47.68	
	7235738	AT6311001 & Above	I-U-10	1-1/2	3	BCK-7225491	47.68	
	7235738	AUYB11001 & Above	I-U-10	1-1/2	3	BCK-7225491	47.68	
	7235738	B3BW11001 & Above	I-U-10	1-1/2	3	BCK-7225491	47.68	
	TILT (RH)		A3P811001 & Above, A3P911001 & Above	I-U-10	1-1/2	3	BCK-7225491	47.68
			A3P811001 & Above, A3P911001 & Above	I-U-10	1-5/8	3	BCK-7137939	54.84
			AN8T11001 & Above, ATF711001 & Above	I-U-10	1-1/2	3	BCK-7225491	47.68
		AUYB11001 & Above	I-U-10	1-5/8	3	BCK-7202518	54.64	
		AUYB11001 & Above	I-U-10	1-1/2	3	BCK-7225491	47.68	
7205267		A3P811001 & Above, A3P911001 & Above	I-U-10	1-5/8	3	BCK-7202518	54.64	
7205267		AN8T11001 & Above, ATF711001 & Above	I-U-10	1-5/8	3	BCK-7202518	54.64	
7235736		A3P811001 & Above, A3P911001 & Above	I-U-10	1-1/2	3	BCK-7225491	47.68	
7235736		AN8T11001 & Above, ATF711001 & Above	I-U-10	1-1/2	3	BCK-7225491	47.68	
7235736		AT6311001 & Above	I-U-10	1-1/2	3	BCK-7225491	47.68	
7235736		AUYB11001 & Above	I-U-10	1-1/2	3	BCK-7225491	47.68	
7235736		B3BW11001 & Above	I-U-10	1-1/2	3	BCK-7225491	47.68	
MODEL T870								
LIFT		7205198	A3PG11001 & Above, A3PH11001 & Above	I-U-10	2	3-1/2	BCK-7196902	95.93
		7205198	AN8L11001 & Above, ATF811001 & Above	I-U-10	2	3-1/2	BCK-7196902	95.93
	7221447	ASWT11001 & Above	I-U-10	2	3-1/2	BCK-7196902	95.93	
	7221447	B3BZ11001 & Above	I-U-10	2	3-1/2	BCK-7196902	95.93	
	7221447	B47C11001 & Above	I-U-10	2	3-1/2	BCK-7196902	95.93	
	7221447	B47H11001 & Above	I-U-10	2	3-1/2	BCK-7196902	95.93	
	7221447	B47L11001 & Above	I-U-10	2	3-1/2	BCK-7196902	95.93	
	7296806	A3PG11001 & Above, A3PH11001 & Above	I-U-10	2	3-1/2	BCK-7196902	95.93	
	7296806	ASWT11001 & Above	I-U-10	2	3-1/2	BCK-7196902	95.93	
	7296806	B3BZ11001 & Above	I-U-10	2	3-1/2	BCK-7196902	95.93	

BOBCAT

Replacement Kits For

BOBCAT

Loaders - Track Skid Steer

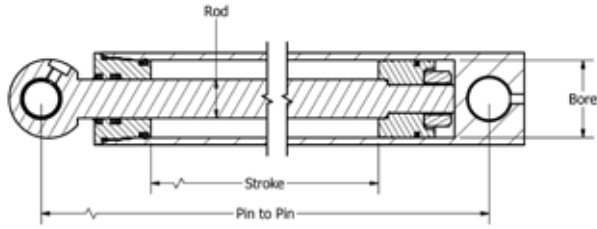
APPLICATION	CYL #	SERIAL #	CODE	ROD	BORE	KIT #	List \$
MODEL T870							
LIFT	7296806	B47C11001 & Above	I-U-10	2	3-1/2	BCK-7196902	95.93
	7296806	B47H11001 & Above	I-U-10	2	3-1/2	BCK-7196902	95.93
	7296806	B47L11001 & Above	I-U-10	2	3-1/2	BCK-7196902	95.93
TILT (LH w/o Piston Collar)	7202348	A3PG11001 & Above, A3PH11001 & Above	I-U-10	1-1/2	3-1/4	BCK-7190632	119.99
	7202348	AN8L11001 & Above, ATF811001 & Above	I-U-10	1-1/2	3-1/4	BCK-7190632	119.99
TILT (LH w/Piston Collar)	7236322	A3PG11001 & Above, A3PH11001 & Above	I-U-10	1-1/2	3-1/4	BCK-7190632	119.99
	7236322	AN8L11001 & Above, ATF811001 & Above	I-U-10	1-1/2	3-1/4	BCK-7190632	119.99
TILT (LH)	7150098	A3PG11001 & Above, A3PH11001 & Above	I-U-10	1-1/2	3-1/4	BCK-7190632	119.99
	7236322	ASWT11001 & Above	I-U-10	1-1/2	3-1/4	BCK-7190632	119.99
	7236322	B3BZ11001 & Above	I-U-10	1-1/2	3-1/4	BCK-7190632	119.99
	7236322	B47C11001 & Above	I-U-10	1-1/2	3-1/4	BCK-7190632	119.99
	7236322	B47H11001 & Above	I-U-10	1-1/2	3-1/4	BCK-7190632	119.99
	7236322	B47L11001 & Above	I-U-10	1-1/2	3-1/4	BCK-7190632	119.99
TILT (RH w/o Piston Collar)	7202349	A3PG11001 & Above, A3PH11001 & Above	I-U-10	1-1/2	3-1/4	BCK-7190632	119.99
	7202349	AN8L11001 & Above, ATF811001 & Above	I-U-10	1-1/2	3-1/4	BCK-7190632	119.99
TILT (RH w/Piston Collar)	7236392	A3PG11001 & Above, A3PH11001 & Above	I-U-10	1-1/2	3-1/4	BCK-7190632	119.99
	7236392	AN8L11001 & Above, ATF811001 & Above	I-U-10	1-1/2	3-1/4	BCK-7190632	119.99
TILT (RH)	7138356	A3PG11001 & Above, A3PH11001 & Above	I-U-10	1-1/2	3-1/4	BCK-7190632	119.99
	7236392	ASWT11001 & Above	I-U-10	1-1/2	3-1/4	BCK-7190632	119.99
	7236392	B3BZ11001 & Above	I-U-10	1-1/2	3-1/4	BCK-7190632	119.99
	7236392	B47C11001 & Above	I-U-10	1-1/2	3-1/4	BCK-7190632	119.99
	7236392	B47H11001 & Above	I-U-10	1-1/2	3-1/4	BCK-7190632	119.99
	7236392	B47L11001 & Above	I-U-10	1-1/2	3-1/4	BCK-7190632	119.99

Loaders - Wheel

APPLICATION	CYL #	SERIAL #	CODE	ROD	BORE	KIT #	List \$
MODEL 1600							
LIFT			I-U-10	2	3-1/2	BCK-6588059	67.14
MODEL 2400, 2410							
LOADER LIFT			I-U-10	1-3/4	3	BCK-6804603	57.54
LOADER TILT			I-U-10	1-1/2	2-3/4	BCK-6589796	37.81
STEERING			I-U-10	1-1/4	2-3/4	BCK-6661296	23.88

BOBCAT

BOBCAT REPLACEMENT CYLINDERS



CYLINDER #	SEAL KIT #	APPLICATION	MODELS	ROD	BORE	STROKE	PIN TO PIN	CYLINDER NET PRICE
BCK-7117174	BCK-6806330	Bucket Tilt	773, S150, S160, S175, S185, S205, T180, T190	1-3/8	2-3/4	13-1/8	21-1/4	\$333.36
BCK-7208419	BCK-7135547	Bucket Tilt	S220, S250, S300, S330, T250, T300, T320	1-1/2	3	15	24	503.13
BCK-7191555	BCK-7197632	Boom	E32, E32i, E35, E35i	1-3/4	3	26-3/8	37-5/8	867.00
BCK-7117667	BCK-7135559	Lift	773, S175, S185, S205, T190	1-1/2	2-1/2	23-13/16	33-3/8	589.06
BCK-7106456	BCK-7137939	Lift	S250, S300, T300, A300	1-5/8	3	25-1/2	38-3/8	790.63
(6817310)								
BCK-7175388	BCK-7138014	Attachment	S100, S130, S150, S160, S175, S185, S205, 220, S250, S300, S330, T110, T140, T180, T190, T200, T250, T300, T320, 773	1	1-3/4	6-3/4	26-3/8	305.00
(6810611)								
BCK-7235736	BCK-7225491	Bucket Tilt - Right	S630, S650, S750, S770, T630, T650, T750, T770	1-1/2	3	13-5/8	23-1/2	618.75
BCK-7235738	BCK-7225491	Bucket Tilt - Left	S630, S650, S750, S770, T630, T650, T750, T770	1-1/2	3	13-5/8	23-1/2	618.75
BCK-7338638 (7151185)	BCK-7199903	Bucket Tilt	S160, S530, S570, S590, T590	1-1/2	2-3/4	12-7/8	21-1/4	478.13
BCK-7152266	BCK-7135489	Boom	S530, S570, S590, T590	1-5/8"	2-3/4	21-1/8	32-5/8	753.13
BCK-7256068	BCK-7135489	Cushioned Boom	S530, S570, S590, T590	1-5/8"	2-3/4	21-1/8	32-5/8	651.56
BCK-7367892	BCK-7225491	Bucket Tilt - Right	S630, S750, S770, T630, T750, T770	1-1/2"	3"	13-3/4"	23-1/2"	885.30
BCK-7367893	BCK-7225491	Bucket Tilt - Left	S630, S750, S770, T630, T750, T770	1-1/2"	3"	13-3/4"	23-1/2"	885.30
BCK-7245374	BCK-7161903	Lift	S750, S770, T750, T770	2"	3-1/4"	26"	36-1/2"	898.75
BCK-7199435	BCK-7137786	Thumb	325, 328, 331, 334	1-1/4"	2-1/4"	15"	23"	563.59
BCK-7250302	BCK-7137869	Lift	S630, T630	1-3/4	2-1/2	31-3/16	53-3/16	528.91

Hercules now offers Bobcat replacement cylinders.

Benefits Include:

- Hercules list price - Up to 50% Off OEM price!
- Hercules warranty* 18 months versus OEM 12 month warranty
- Made in the USA
- In-stock, same day shipment
- Reduce customer downtime by replacing versus repairing cylinders
- High performance Freudenberg-NOK AU30000 Seal rated for up to 250 degrees F and up to 7250 psi; resulting in extended seal life.
- Cast iron steel gland with buttress threads versus aluminum OEM gland means less galled or damage threads
- Hardened chrome rod which is less susceptible to bending
- In-stock Hercules Bobcat seal kits available

Features Include:

- Hard chromed plated rod
- Cast iron piston
- Cast Iron gland with buttress threads
- Pressure rated 3000 - 3500 psi
- SAE and JIC flared ports
- Grease ports on both pin eyes
- Standard color is charcoal gray

BOBCAT

Kit Number	Code (Pg. 14)	Rod X Bore Size	List Price
BCK-6504945	P-O-2	1 X 1-7/8	\$8.34
BCK-6504959	I-U-10	1-1/4 X 2	18.44
BCK-6504960	I-U-10	1 X 2	17.20
BCK-6504961	P-O-2	1 X 2	8.47
BCK-6505849	P-V-8	1-1/8 X 2	44.60
BCK-6505850	P-V-8	1 X 2	39.19
BCK-6509052	I-U-10	1-1/2 X 3	33.80
BCK-6509053	I-V-10	2 X 3-1/2	32.13
BCK-6509122	I-U-10,12	2 X 4	79.03
BCK-6509123	I-U-10,12	2-1/2 X 4	88.16
BCK-6509124	I-U-10,12	2 X 3-1/2	55.91
BCK-6511216	I-U-10	2-1/2 X 5	52.69
BCK-6511620	# 174 ACCUMULATOR		17.86
BCK-6512049	P-U-10	1-1/4 X 2-1/2	54.11
BCK-6512891	I-U-10	1-1/2 X 3	26.61
BCK-6514736	P-U-10	1-1/2 X 3-1/4	35.50
BCK-6515452	P-OB-3	1-1/2 X 3	18.61
BCK-6515459	P-O-1	2-3/4 ROD	28.25
BCK-6518500	O-RINGS		8.19
BCK-6519428	P-UB-9	2 X 4	88.19
BCK-6529691	I-U-10	1-1/2 X 3-1/4	31.75
BCK-6529991	I-U-10	1-1/2 X 2-3/4	23.96
BCK-6530345	I-U-10	1-1/2 X 3	48.38
BCK-6536322	I-U-10	1-3/4 X 2-3/8	36.13
BCK-6536671	I-U-10	1-3/4 X 2-3/8	36.13
BCK-6537299	I-U-10	2 X 3-1/4	69.10
BCK-6537322	I-U-10	1-1/4 X 2	33.32
BCK-6537361	I-U-10	1-3/4 X 3-1/4	33.95
BCK-6537565	I-U-10	1-3/4 X 3-1/2	35.64
BCK-6537585	I-U-10	1-1/2 X 3	34.86
BCK-6537861	I-U-10	1-3/4 X 3-1/4	33.95
BCK-6538082	I-U-10	1-3/4 X 3	57.54
BCK-6538144	I-U-10	1-1/2 X 3-1/4	41.19
BCK-6544447	I-U-10	1 X 2-1/4	19.71
BCK-6544448	I-U-10	1-1/4 X 2-1/4	17.63
BCK-6548178	I-U-10	2 X 3-1/2	25.16
BCK-6551271	I-U-10	1-1/2 X 3	19.74
BCK-6555117	I-U-10	1-1/2 X 2-1/4	19.06
BCK-6555851	I-U-10	1-1/2 X 3-1/2	28.07
BCK-6557718	I-U-10	1-1/2 X 3	18.51

Kit Number	Code (Pg. 14)	Rod X Bore Size	List Price
BCK-6557719	I-U-10	1-1/4 X 2	\$17.73
BCK-6558847	I-U-10	1-1/2 X 3-1/4	21.08
BCK-6573437	I-OB-3	1-1/2 X 2	3.24
BCK-6586203	I-U-10	1-1/4 X 2-3/4	23.88
BCK-6586298	I-U-10	1-1/4 X 2	33.32
BCK-6586915	I-U-10	1-1/2 X 2-1/4	37.71
BCK-6587790	I-U-10	1 X 2	25.50
BCK-6587974	I-U-10	1-1/2 X 2-1/4	30.55
BCK-6587985	I-U-10	1-1/2 X 2-1/4	52.60
BCK-6587987	I-U-10	1-1/2 X 2-3/4	23.96
BCK-6587989	I-U-10	1-1/2 X 3	48.38
BCK-6587990	I-U-10	1-3/4 X 3	57.54
BCK-6587991	I-U-10	1-3/4 X 3-1/4	44.87
BCK-6588059	I-U-10	2 X 3-1/2	67.14
BCK-6588079	I-U-10	1-3/4 X 3	41.76
BCK-6588083	I-U-10	2 X 3-1/4	69.10
BCK-6589064	I-U-10	1 X 2	59.38
BCK-6589786	I-U-10	1-1/2 X 2-3/4	40.86
BCK-6589792	I-U-10	1-1/2 X 3-1/4	49.75
BCK-6589793	I-U-10	1-1/2 X 2-1/4	37.61
BCK-6589794	I-U-10	1-1/2 X 2-1/4	40.12
BCK-6589796	I-U-10	1-1/2 X 2-3/4	37.81
BCK-6589797	I-U-10	1-1/2 X 3	42.15
BCK-6589798	I-U-10	1-1/2 X 3	46.53
BCK-6589807	I-U-10	1-1/2 X 2-3/8	43.10
BCK-6589818	I-U-10	1 X 2	41.80
BCK-6589868	I-U-10	1-1/4 X 2-3/8	35.96
BCK-6590898	I-U-10	2 X 3	33.22
BCK-6591031	P-U-10	2-1/2 X 5-1/2	70.20
BCK-6591885	I-U-10	1-1/2 X 3-1/4	32.41
BCK-6592010	I-U-10	1-1/2 X 3	26.69
BCK-6592276	I-U-3	1 X 2-1/4	25.83
BCK-6592574	I-U-10	1-1/4 X 3	30.55
BCK-6592780	I-U-10	1-3/4 X 3	29.65
BCK-6593015	I-U-10	1 X 2	59.38
BCK-6593287	I-U-10	2 X 3-3/4	36.16
BCK-6594369	I-U-10	1-1/2 X 3-1/4	58.76
BCK-6595177	I-U-10	1-1/4 X 2-1/2	37.01
BCK-6596126	I-U-10	1-3/4 X 3-1/2	46.25
BCK-6598220	O-RING KIT		7.86

BOBCAT

BOBCAT

Kit Number	Code (Pg. 14)	Rod X Bore Size	List Price
BCK-6598343	P-OB-3	1 X 2	\$21.91
BCK-6634687	I-U-5	1-1/4 X 2-1/2	41.03
BCK-6635405	I-OB-3	1-1/8 X 2-1/2	13.94
BCK-6651242	MOTOR SEAL KIT		180.06
BCK-6656283	O-RING KIT		6.48
BCK-6660750	O-RING KIT		6.63
BCK-6661046	I-U-10,12	1-3/8 X 2-3/8	113.80
BCK-6661047	I-U-10	1-3/8 X 2-3/8	36.13
BCK-6661051	I-U-10	1-3/4 X 3-1/4	33.95
BCK-6661052	I-U-10	1-3/4 X 3-1/2	35.64
BCK-6661053	I-U-10	1-1/2 X 3	34.86
BCK-6661288	I-U-10	1 X 2	21.68
BCK-6661296	I-U-10	1-1/4 X 2-3/4	23.88
BCK-6661297	I-U-10	1-1/2 X 3-1/4	27.76
BCK-6661298	I-U-10	1-1/2 X 3-1/4	58.76
BCK-6661308	I-U-10	1-1/2 X 3-1/4	34.10
BCK-6661317	I-U-10	1-1/4 X 2-1/4	26.37
BCK-6661328	VALVE KIT		29.99
BCK-6661329	I-U-10	1-1/4 X 3	30.55
BCK-6693695	P-U-10	1-3/8 X 1-7/8	65.51
BCK-6801183	I-U-10	1-1/4 X 3-1/4	36.57
BCK-6803268	I-U-10	1-1/2 X 2-3/4	51.90
BCK-6803272	I-U-10	1-1/2 X 3	41.13
BCK-6803274	I-U-10	1-1/2 X 3-1/2	40.52
BCK-6803281	I-U-10	1-3/8 X 2-3/8	57.11
BCK-6803312	I-U-10	1-3/4 X 2-1/2	48.74
BCK-6803313	I-U-10	1-3/4 X 3	55.18
BCK-6803314	I-U-10	1-3/4 X 3-1/2	47.67
BCK-6803325	I-U-10	1-1/2 X 2-1/4	44.54
BCK-6803329	I-U-10	1-1/4 X 2	36.73
BCK-6803334	I-U-10	1-1/4 X 3	44.66
BCK-6803472	I-U-10	1 X 2	28.93
BCK-6803473	I-U-10	1 X 1-3/4	30.62
BCK-6803474	I-U-10	1 X 2	31.68
BCK-6804603	I-U-10	1-3/4 X 3	57.54
BCK-6804604	I-U-10	1-1/2 X 3	56.94
BCK-6804605	I-U-10	1-1/2 X 3-1/4	68.78
BCK-6804606	I-U-10	1-1/2 X 3-1/2	51.73
BCK-6804609	I-U-10	1-1/2 X 2-3/4	67.82
BCK-6804615	I-U-10	1-5/8 X 3-1/2	52.57

Kit Number	Code (Pg. 14)	Rod X Bore Size	List Price
BCK-6804616	I-U-10	1-5/8 X 2-3/4	\$70.72
BCK-6804927	I-U-10	1-1/4X2	49.31
BCK-6806330	I-U-10	1-3/8 X2-3/4	50.15
BCK-6806862	I-U-10	1-3/8 X 2-1/2	41.45
BCK-6808225	I-U-10	1-1/4 X 3-1/4	36.94
BCK-6808296	I-U-10	1-1/4 X 2-1/2	45.43
BCK-6809571	I-U-10	1-3/8 X 2-3/8	41.93
BCK-6810470	I-U-10	2 X 3-1/4	68.31
BCK-6810717	I-U-10	2 X 2-3/4	82.84
BCK-6810718	I-U-10	2 X 4	114.27
BCK-6810719	I-U-10	1-3/4 X 3	57.42
BCK-6813752	I-U-10	1-3/4 X 2-1/2	49.59
BCK-6815085	I-U-10	1-3/4 X 3-1/4	62.51
BCK-6815959	I-U-10	2 X 3-3/4	172.57
BCK-6816325	I-U-10	1-1/2 X 3	56.94
BCK-6816325	I-U-10	1-1/2 X 3	56.94
BCK-6816352	I-U-10	1-3/4 X 3	56.99
BCK-6816533	I-U-10	1-3/4 X 3-1/4	63.60
BCK-6816534	I-U-10	1-1/2 X 2-3/8	42.52
BCK-6816535	I-U-10	1-1/2 X 2-1/4	43.96
BCK-6816536	I-U-10	1-5/8 X 3	54.84
BCK-6816537	I-U-10	1-1/2 X2-1/2	55.01
BCK-6817081	I-U-10	2-1/4 X 3-1/2	136.20
BCK-6817143	I-U-10	2 X 3-1/4	83.27
BCK-6817516	I-U-10	1-5/8 X 2-3/4	67.35
BCK-6817183	I-U-10	2-1/4 X 4	157.63
BCK-6818161	I-U-10	2 X 3-1/4	69.37
BCK-7135489	I-U-10	1-5/8 X 2-3/4	39.11
BCK-7135538	I-U-10	1-1/2 X 2-3/8	79.44
BCK-7135547	I-U-10	1-1/2 X 3	55.00
BCK-7135551	I-U-10	1-1/2 X 3-1/4	54.71
BCK-7135555	I-U-10	1-1/2 X 3-1/2	59.99
BCK-7135557	I-U-10	1-1/2 X 2-1/4	55.41
BCK-7135558	I-U-10	1-1/2 X 2-1/4	53.20
BCK-7135559	I-U-10	1-1/2 X 2-1/2	55.01
BCK-7137770	I-U-10	1-1/4 X 2	49.31
BCK-7137771	I-U-10	1 X 2	21.07
BCK-7137772	I-U-10	1 X 2	31.68
BCK-7137786	I-U-10	1-1/4 X 2-1/4	95.99
BCK-7137865	I-U-10	1-3/4 X 2-1/2	39.48

BOBCAT

Kit Number	Code (Pg. 14)	Rod X Bore Size	List Price
BCK-7137866	I-U-10	1-1/4 X 2-1/2	\$41.28
BCK-7137868	I-U-10	1-3/8 X 2-1/2	42.49
BCK-7137869	I-U-10	1-3/4 X 2-1/2	53.29
BCK-7137935	I-U-10	1-3/4 X 2-3/4	47.50
BCK-7137939	I-U-10	1-5/8 X 3	54.84
BCK-7137944	I-U-10	1-1/4 X 3	68.73
BCK-7137945	I-U-10	1-3/4 X 3	61.47
BCK-7137963	I-U-10	1-3/4 X 3-1/4	62.51
BCK-7137966	I-U-10	2 X 3-1/4	59.70
BCK-7138014	I-U-10	1 X 1-3/4	30.62
BCK-7138073	I-U-10	1-1/2 X 2-1/4	35.81
BCK-7147833	I-U-10	1-3/4 X 3-1/4	46.18
BCK-7155417	I-U-10	1 X 1-1/2	57.10
BCK-7156581	I-U-10	1-3/4 X 3-1/4	62.51
BCK-7161331	I-U-10	1-3/4 X 3	139.13
BCK-7168820	I-U-10	1-3/4 X 2-3/4	46.50
BCK-7161903	I-U-10	2 X 3-1/4	105.32
BCK-7166257	I-U-10	2 X 3-1/4	116.26
BCK-7166330	I-U-10	2 X 3-1/4	93.78
BCK-7162060	I-U-10	1-3/4 X 3-1/4	62.51
BCK-7162061	I-U-10	1-3/4 X 3	75.84
BCK-7162062	I-U-10	1-1/2 X 2-3/4	75.25
BCK-7190632	I-U-10	1-1/2 X 3-1/4	119.99

Kit Number	Code (Pg. 14)	Rod X Bore Size	List Price
BCK-7196449	I-U-10	2 X 4	\$97.76
BCK-7196450	I-U-10	2-1/4 X 4	117.48
BCK-7196481	I-U-10	2 X 3-3/4	101.07
BCK-7196484	I-U-10	2 X 3-3/4	109.34
BCK-7196894	I-U-10	1-1/2 X 3-1/2	49.26
BCK-7196896	I-U-10	1-3/4 X 3-1/2	104.73
BCK-7196898	I-U-10	1-5/8 X 3-1/2	50.06
BCK-7196901	I-U-10	1-3/4 X 3-1/2	122.56
BCK-7196902	I-U-10	2 X 3-1/2	95.93
BCK-7196904	I-U-10	2-1/4 X 3-1/2	116.96
BCK-7196905	I-U-10	1-3/4 X 3-1/2	93.21
BCK-7197632	I-U-10	1-3/4 X 3	76.02
BCK-7199903	I-U-10	1-1/2 X 2-3/4	36.96
BCK-7201446	I-U-10	1-5/8 X 2-3/4	126.88
BCK-7202518	I-U-10	1-5/8 X 3	54.64
BCK-7225491	I-U-10	1-1/2 X 3	47.68
BCK-7225639	I-U-10	1-3/4 X 3	61.47
BCK-7236275	I-U-10	1-1/4 X 2-3/8	72.21
BCK-7325324	I-U-10	40 X 70	84.09
BCK-7325333	I-U-10	40 X 70	72.64
BCK-7452890	I-OB-3	25 mm X 1-1/2	76.37
BCK-749049	I-OB-3	1-1/2 X 2	19.78
BCK-M610	P-O-2	1-1/8 X 1-7/8	7.77

REPLACEMENT PARTS FOR BOBCAT EQUIPMENT

BACK UP RINGS

Part Number	Min. Pkgs.	List Price
BCK-73K218	9	\$1.41

LOCK NUTS

Part Number	List Price
BCK-92D10	\$11.25

O-RINGS

Part Number	Min. Pkgs.	List Price
BCK-54K20106	50	\$0.25
BCK-54K40108	3	2.88
BCK-58K128	20	0.63

PISTON RINGS

Part Number	Bore Dia.	List Price
BCK-6649690	1-1/2	\$3.45

U-SEALS

Part Number	Rod Dia.	List Price
BCK-6667323	1	\$16.76

WIPERS

Part Number	Rod Dia.	List Price
BCK-6666542	1	\$5.87

BREAKER TECH

Kit Number	Code (Pg. 14)	Rod X Bore Size	List Price
BTI-815-0457-ML	I-V-9	2-3/4 X 5	\$340.85

Kit Number	Code (Pg. 14)	Rod X Bore Size	List Price
BTI-815-0468-ML	I-V-9	3-1/2 X 6	\$609.63

CAMECO

Kit Number	Cylinder	Code (Pg. 14)	Rod X Bore Size	List Price
CAM-017-1344693		N-N-14	100mm Piston Kit	\$41.08
CAM-017-1344694		P-UB-1	50mm Rod Kit	83.60
CAM-061-0007820		P-U-3	1-1/2 X 3-1/2	26.22
CAM-061-0021481		I-U-4	2-1/2 X 5	364.13
CAM-061-0053967		P-U-1	1-1/4	141.87
CAM-061-0297978		P-U-10	2-1/4 X 3	82.95
CAM-061-05835		P-U-3	1-1/4 X 2-1/2	23.80
CAM-061-06067	001-06063	P-OB-3	1-1/16 X 2-1/2	18.82
CAM-061-07221		I-V-5	2-1/2 X 7	247.15
CAM-061-08458	001-08459	I-U-5	2-1/2 X 4	141.03
CAM-061-08913		I-U-5	2-1/2 X 5	124.48
CAM-061-09619		P-U-3	2 X 4	48.60
CAM-061-1247081		P-U-1	3 Rod Kit	61.53
CAM-061-1304751		I-U-10	1-1/4 X 2-1/2	33.03
CAM-061-1309627		P-U-10	4 X 7	455.75

Kit Number	Cylinder	Code (Pg. 14)	Rod X Bore Size	List Price
CAM-061-1347081		P-U-1	3 Rod Kit	\$61.53
CAM-061-1362725		I-U-10	1 X 2	22.66
CAM-061-21693		I-U-9	2-1/2 X 4	122.45
CAM-061-21699	001-21359	I-U-9	1-1/4 X 3	149.97
CAM-061-50139		P-V-3	1-1/4 X 3	47.90
CAM-061-53511		P-UB-10	2-1/2 X 4	103.77
CAM-061-53967	001-37224	P-U-1	1-1/4 Rod Kit	55.29
CAM-061-53968		P-U-1	1-1/2 Rod Kit	45.41
CAM-061-53970	001-89599	P-U-1	2-1/2 Rod Kit	60.41
CAM-061-53972	001-89576	N-N-10	3" Piston Kit	60.60
CAM-061-53973	001-89599	N-N-10	4" Piston Kit	61.43
CAM-061-53974		N-N-10	5" Bore	302.47
CAM-062-05672			Valve Kit	6.29
CAM-062-22730			Motor Kit	19.15

CASCADE

Kit Number	Code (Pg. 14)	Rod X Bore Size	List Price
CAS-11.11.73	I-U-15	7/8 X 1-1/2	\$41.81
CAS-210090	I-U-4	20 X 36 mm	255.81
CAS-210288	I-U-4	20 X 36 mm	255.81
CAS-562339	I-U-4,10	1-1/8 X 2-1/4	40.45
CAS-684827	I-U-4	3/4 X 1-1/2	24.44
CAS-552715	I-U-1	2-1/4 X 2-3/4	74.19
CAS-554289	MULTI STAGE	4, 5	253.90
CAS-560349	I-U-4	2" X 75 mm	160.26
CAS-562591	I-U-4	2" X 60 mm	128.10
CAS-564409	I-U-13	25 X 63 mm	98.59
CAS-615939	O-RING KIT		10.96
CAS-615940	O-RING KIT		14.43
CAS-628080	I-V-8	1-1/4 X 3	136.51
CAS-630033	I-U-3	1-1/2 X 4-3/4	49.36
CAS-630038	I-U-3	1-1/2 X 4-3/4	45.70
CAS-630445	I-V-8	1-1/4 X 2-1/2	84.84
CAS-631277	P-V-9	2 X 4-3/4	309.68
CAS-638884	MULTI STAGE	2-3/4, 3-3/4	158.77
CAS-639695	I-U-4	3/4 X 1-3/4	78.68
CAS-640371	I-U-4	4 X4-1/2	131.85

Kit Number	Code (Pg. 14)	Rod X Bore Size	List Price
CAS-641956	MULTI STAGE	4, 5	\$216.55
CAS-643280	I-U-4	3 X 3-1/2	82.89
CAS-644690	I-U-5	1-3/4 X 4	152.64
CAS-646305	I-U-3	3-1/2 X 4	101.67
CAS-646339	SWIVEL KIT		9.88
CAS-647626	I-U-4	1 X 2-1/4	40.15
CAS-647892	I-V-8	1-3/4 X 4.520	137.62
CAS-650018	I-U-5	3-1/2 X 7	177.23
CAS-651847	I-N-4	2 X 2-1/2	62.24
CAS-654519	P-V-1	2 X 4-3/4	93.80
CAS-656167	MULTI STAGE	4-1/4, 5-7/16	294.57
CAS-658717	MULTI STAGE	2-3/4, 3-3/4	149.62
CAS-660954	I-U-4	1-5/8 X 3-1/2	88.53
CAS-660955	I-U-4	3 X 4	104.37
CAS-664814	N-U-4	3/4 X 1-3/4	41.80
CAS-667622	MULTI STAGE	2-1/2, 3-1/4, 4-1/2	281.88

45C VIEWMAST II

CAS-T555286	P-U-10	2-1/8 X 3	\$124.26
-------------	--------	-----------	----------

REPLACEMENT PARTS FOR CASCADE EQUIPMENT

NOTE: Cascade part numbers are used as a reference only. We do not imply that these kits are original REPLACEMENT PARTS.

BACK-UP RINGS

Part Number	Min. Pkgs.	List Price
CAS-559870	1	\$15.81
CAS-563388	10	1.44
CAS-563907	1	3.98
CAS-563977	5	2.57
CAS-564404	1	15.93
CAS-615009	25	0.52
CAS-615012	25	0.54
CAS-615126	10	0.79
CAS-615128	10	0.93
CAS-615130	10	1.12
CAS-615132	10	1.25
CAS-615135	10	1.45
CAS-615140	10	1.99
CAS-615146	5	3.05
CAS-615147	5	2.66

BACK-UP RINGS

Part Number	Min. Pkgs.	List Price
CAS-615150	5	\$3.08
CAS-615152	5	3.42
CAS-615217	1	5.85
CAS-637565	1	7.75
CAS-638223	1	10.46
CAS-638224	1	10.46
CAS-638225	1	10.90
CAS-638244	10	0.91
CAS-638245	1	7.66
CAS-638247	1	8.03
CAS-638249	1	8.40
CAS-638250	1	7.45
CAS-638252	1	9.24
CAS-638253	1	9.58
CAS-638256	1	10.72

BACK-UP RINGS

Part Number	Min. Pkgs.	List Price
CAS-638257	1	\$14.06
CAS-638293	1	8.96
CAS-638295	1	9.58
CAS-638298	1	14.06
CAS-648569	4	4.23
CAS-660952	1	9.58
CAS-669247	5	3.01
CAS-671754	10	1.24

FACE SEALS

Part Number	List Price
CAS-601468	\$3.46
CAS-607287	5.42

REPLACEMENT PARTS FOR CASCADE

NOTE: Cascade part numbers are used as a reference only. We do not imply that these kits are original REPLACEMENT PARTS.

O-RINGS

Part Number	Min. Pkgs.	List Price
CAS-1596	50	\$0.12
CAS-1912210	20	0.42
CAS-207300	50	0.08
CAS-208761	50	0.12
CAS-208762	50	0.32
CAS-208763	50	0.37
CAS-209063	15	1.14
CAS-209064	15	1.14
CAS-209065	15	1.16
CAS-209066	15	1.25
CAS-212359	50	0.15
CAS-2696	50	0.04
CAS-2697	50	0.04
CAS-2698	50	0.04
CAS-2699	50	0.04
CAS-2700	50	0.08
CAS-2701	50	0.10
CAS-2702	50	0.08
CAS-2703	50	0.10
CAS-2704	50	0.10
CAS-2705	50	0.10
CAS-2706	50	0.10
CAS-2707	50	0.12
CAS-2709	50	0.12
CAS-2712	50	0.17
CAS-2722	20	0.37
CAS-2753	5	2.98
CAS-2785	20	0.76
CAS-2787	20	0.55
CAS-2789	20	0.60
CAS-2792	20	0.75
CAS-2793	20	0.75
CAS-2797	20	0.93
CAS-2799	20	0.98
CAS-2801	20	1.01
CAS-2803	10	1.12
CAS-2804	10	1.20
CAS-2807	10	1.59
CAS-2808	10	1.63
CAS-2809	10	1.68

O-RINGS

Part Number	Min. Pkgs.	List Price
CAS-2811	10	\$1.77
CAS-2840	50	0.32
CAS-524737	50	0.10
CAS-543372	10	2.05
CAS-557226	50	0.19
CAS-562127	20	0.91
CAS-564363	20	0.58
CAS-581565	50	0.42
CAS-613376	50	0.14
CAS-617724	50	0.17
CAS-622406	20	0.37
CAS-624737	50	0.10
CAS-624738	50	0.14
CAS-626186	50	0.14
CAS-626189	20	0.32
CAS-628033	20	0.26
CAS-630386	20	0.33
CAS-643330	50	0.08
CAS-643331	50	0.08
CAS-643332	50	0.08
CAS-643333	50	0.08
CAS-643334	50	0.08
CAS-643335	50	0.08
CAS-643336	50	0.08
CAS-643337	50	0.10
CAS-643338	50	0.10
CAS-643339	50	0.12
CAS-643340	50	0.12
CAS-643341	50	0.14
CAS-643342	50	0.14
CAS-643343	50	0.14
CAS-643344	50	0.14
CAS-643345	50	0.17
CAS-643346	50	0.17
CAS-643347	50	0.24
CAS-643348	50	0.26
CAS-643349	50	0.26
CAS-643350	20	0.26
CAS-643351	20	0.29
CAS-643352	20	0.33

O-RINGS

Part Number	Min. Pkgs.	List Price
CAS-643353	20	\$0.37
CAS-643354	20	0.42
CAS-643355	20	0.51
CAS-643356	20	0.55
CAS-643357	20	0.55
CAS-643358	20	0.60
CAS-643359	20	0.60
CAS-643360	20	0.66
CAS-643361	20	0.68
CAS-643362	20	0.71
CAS-643363	20	0.80
CAS-643364	20	0.89
CAS-643365	20	0.93
CAS-643366	10	1.09
CAS-643367	10	1.12
CAS-643368	10	1.20
CAS-643369	10	1.33
CAS-643370	10	1.59
CAS-643371	10	2.05
CAS-643373	50	0.12
CAS-643374	50	0.14
CAS-643375	50	0.14
CAS-643376	50	0.14
CAS-643377	50	0.17
CAS-643378	50	0.17
CAS-643379	50	0.17
CAS-643380	50	0.26
CAS-643381	50	0.26
CAS-643382	20	0.29
CAS-643383	20	0.32
CAS-643384	20	0.33
CAS-643385	20	0.33
CAS-643386	20	0.37
CAS-643387	20	0.39
CAS-643388	20	0.39
CAS-643389	20	0.42
CAS-643390	20	0.42
CAS-643391	20	0.42
CAS-643392	20	0.43
CAS-643393	20	0.43

REPLACEMENT PARTS FOR CASCADE EQUIPMENT

NOTE: Cascade part numbers are used as a reference only. We do not imply that these kits are original REPLACEMENT PARTS.

O-RINGS

Part Number	Min. Pkgs.	List Price
CAS-643394	20	\$0.51
CAS-643395	20	0.51
CAS-643396	20	0.51
CAS-643397	20	0.60
CAS-643398	20	0.60
CAS-643399	20	0.60
CAS-643400	20	0.66
CAS-643401	20	0.66
CAS-645592	20	0.76
CAS-654926	50	0.26
CAS-655799	50	0.17
CAS-666015	50	0.32
CAS-666183	50	0.32
CAS-666184	50	0.19
CAS-666891	15	1.14
CAS-666892	10	1.25
CAS-666893	15	1.14
CAS-676959	15	1.11
CAS-682862	50	0.10
CAS-684587	50	0.15
CAS-684615	50	0.15
CAS-689937	50	0.15
CAS-689938	50	0.19
CAS-797089	20	0.78

PISTON SEALS

Part Number	Bore Diameter	List Price
CAS-564407	63 mm	\$60.19

RETAINER RINGS

Part Number	List Price
CAS-7197	\$3.66

U-SEALS

Part Number	Rod Dia.	List Price
CAS-646540	3/4	\$7.05
CAS-641835	7/8	7.31
CAS-560502	1	7.60
CAS-662447	1	8.10
CAS-662450	1-3/8	9.24
CAS-662452	1-5/8	9.98
CAS-662454	1-7/8	11.19
CAS-553521	2-1/2	28.15
CAS-662462	3-1/2	21.73
CAS-553954	4-1/2	50.85
CAS-662457	2-1/4	14.50
CAS-553523	3	33.22
CAS-553524	3-1/4	34.80
CAS-662465	4-1/4	28.48
CAS-662467	4-3/4	32.54

REPLACEMENT PARTS FOR CASCADE

NOTE: Cascade part numbers are used as a reference only. We do not imply that these kits are original REPLACEMENT PARTS.

VEE SETS

Part Number	Bore	List Price
CAS-1469	3-1/2	\$68.88
CAS-1471	4-1/2	76.06
CAS-1809	1-3/4	29.92
CAS-1861	2-3/4	63.41
CAS-7501	1-3/8	34.45
CAS-7502	2	33.24
CAS-7538	4	79.51
CAS-7542	3	35.81
CAS-7554	4-3/4	107.84
CAS-7606	2-1/4	28.62
CAS-7608	3-1/2	35.62
CAS-7609	2-1/2	32.14
CAS-7636	4-1/4	66.56
CAS-827	4-1/2	85.05

WEAR RINGS

Part Number	O.D. X Width	List Price
CAS-660761	2-1/4 X 1/2	\$5.80
CAS-660769	4 X 1/2	6.51
CAS-660784	4-3/4 X 3/4	7.62
CAS-660786	5-1/4 X 3/4	7.78
CAS-636959	5-3/4 X 3/4	10.00

WIPERS

Part Number	Rod Dia.	List Price
CAS-559961	3/4	\$4.61
CAS-636851	7/8	1.70
CAS-636852	1	1.70
CAS-626468	1-1/4	1.84
CAS-636854	1-5/8	2.87
CAS-1916335	2-1/2	8.29
CAS-629608	2-1/2	3.50
CAS-636859	3	4.32
CAS-636860	3-1/4	5.08
CAS-563682	3-1/4	12.01
CAS-636862	4	5.80
CAS-563683	4-1/2	15.47
CAS-626456	4-1/2	6.29
CAS-636864	4-3/4	6.54
CAS-561256	42 mm	28.82

REPLACEMENT SEAL KITS FOR CASE EQUIPMENT*

Replacement Seal Kits By Machine Type

Table of Contents

Machine Type		Page
Backhoe Loaders	380LL, 430 with Backhoe Models 21, 22, 23, 580 Super L, 580 Super L Construction King, 580 Super M, 580 Super M SERIES 3, 580 Super M+ SERIES 3, 580 Super N Tier 3, 580 Super N Tier 4, 580 with Backhoe Models 33, 33S, 580C Construction King, 580L, 580M, 580N (Brazil), 580N Tier 3, 580N Tier 4, 590 Super L, 590 Super M, 590 Super M SERIES 3, 590 Super N Tier 3, 590 Super N Tier 4, 590SR Super R, 590SR Super R Tier 2, 590SR Super R Tier 3, 680	56 - 63
Crawler Dozers	750K - Series 2 Tier 2, 750K - Series 3 Tier 2, 750K, 750L, 850L, 1150K, 1650K - Tier 1, 1650K - Tier 2, 1650L, 1850K - Tier 1, 1850K - Tier 2, 1850K - Tier 3	63-65
Crawler Dozers/Loaders	310E, 310F with Backhoe Model 31, 420C, 450 with Backhoe Models 26, 26B, 26C, 26S, 32, 33, 35, 550E, 550G, 550H, 650G, 650K, 750 with Backhoe Models 32, 33S, 34, 750H, 850 with Backhoe Models 34, 35, 36, 850B with Backhoe Model 35, 850E, 855E, 850G, 850H, 850K, 1150G, 1150H	65 - 71
Excavators	880, 880B, 880C, 880D, 880R, 9010B, 9020B, 9030B, 9040B, CX130, CX130C, CX130D, CX130D LC, CX135SR, CX145C SR, CX160, CX160B, CX160C, CX160D LC, CX210, CX210B, CX210C, CX210C LC, CX210C LR, CX210C NLC, CX210D LC, CX210D LC LR, CX210D NLC, CX240, CX250C, CX250D LC, CX250D LC LR, CX330, CX350C, CX350D LC	71 - 76
Excavators - Compact	CX27B, CX31, CX31B, CX36, CX36B, CX50B, CX55B, CX55BMSR, CX75SR, CX80C	76 - 79
Forklifts - Rough Terrain	586G	79 - 80
Loaders - Skid Steer	40XT, 60XT, 70XT, 75XT, 85XT, 90XT, 95XT, 1818, 1825, 1835, 1835B, 1835C, 1838, 1840, 1845, 1845S, 1845B, 1845C, SR130, SR130B, SR160, SR160B, SR175, SR175B, SR200, SR210, SR210B, SR220, SR250, SV185, SV250, SV280, SV280B, SV300	80 - 85
Loaders - Track Skid Steer	TR270, TR310, TR310B, TR320, TR340, TR340B, TV380, TV450, TV450B	85 - 86
Loaders - Wheel	521D, 621B, 621C, 621D, 621E, 621F, 721B, 721C, 721D, 721E, 721F, 821B, 821C, 821E, 821F, 921, 921C, W8E, W9, W9A, W9B, W9C, W9E, W10, W10B, W10C, W10E, W14B	86 - 89
Uni-Loaders	1530B, 1700, 1816B, 1816C, 1818, 1825, 1830, 1835, 1835B, 1840, 1845, 1845B, 1845C, 1845S	89 - 90
Unimogs	MB4/94 with Model 26C Backhoe, P80 Cable Plow, T70	90
Alpha-Numeric Kit Listing		91 - 96
Case Individual Parts		Found Online

The following models are available online at www.HerculesUS.com or by calling your regional sales team.

Backhoe Loaders	480, 480B with Backhoe Models 23, 26, 26B, 26S, 480C, 480D, 480D LL, 480E, 480E LL, 480F, 480F LL, 530 with Backhoe Models 31, 32, 32S, 580 Super E, 580 Super K, 580B with Backhoe Model 35, 580C, 580D, 580 Super D, 580F, 580K, 590, 680B, 680C, 680CK, 680E, 680G, 680H, 680K, 680L, 780, 780B
Crawler Dozers/Loaders	310G with Backhoe Models 26, 26B, 26S, 32, 33, 350 with Backhoe Models 26, 26B, 26C, 26S, 350B with Backhoe Models 26C, 26D, 450B, 450C, 455B, 455C with Backhoe Models 26D, 35, 475 Cable Layer, 850B, 850C, 855C with Backhoe Models 35A, 35C, 35C WL, 35 WL, 850D with Backhoe Models 35C, 35C WL, 1150 with Backhoe Models 32, 34, 36, 1150B, 1150C, 1150D, 1155D, 1450, 1450B, 1455B
Loaders - Wheel	621, 721, 821, W7, W7C, W7E, W11, W11B, W14, W14L, W14H, W18, W20, W20B, W18B, W20C, W24, W24B, W24C, W26B, W26FL, W3, W30, W36

*All manufacturer's names, part numbers and descriptions are used for reference purposes only. We do not imply that any part shown is the product of these manufacturers. We also do not imply that the list price shown is exactly that of the manufacturer.

Replacement Kits For

CASE

Backhoe Loaders								
APPLICATION	CYL #	Piston	SERIAL #	CODE	ROD	BORE	KIT #	List \$
MODEL 380LL								
LIFT		2pc		P-U-9	1-1/2	2-1/2	JIC-G32294	59.94
TILT		2pc		P-U-9	1-1/2	2-1/2	JIC-G32294	59.94
MODEL 430 with Backhoe Models 21, 22, 23								
BACKHOE BOOM				I-U-1	1-3/4		JIC-D42872	25.58
				I-U-1	1-3/4		JIC-D42873	35.04
		2pc		N-N-9		3-1/2	JIC-G33237	43.70
		2pc		N-N-9		3	JIC-G33151	39.48
BACKHOE BUCKET				I-U-1	2		JIC-D42874	27.26
		2pc		N-N-9		3	JIC-G33151	39.48
BACKHOE DIPPER				I-U-1	2		JIC-D42874	27.26
		2pc		N-N-9		3-1/2	JIC-G33237	43.70
		2pc		N-N-9		3	JIC-G33151	39.48
BACKHOE STABILIZER				I-U-1	1-1/4		JIC-D42867	31.89
		2pc		N-N-9		2-1/2	JIC-G33193	38.51
BACKHOE SWING				I-U-1	1-1/4		JIC-D42867	31.89
		2pc		N-N-9		2-1/2	JIC-G33193	38.51
LOADER LIFT				I-U-1	1-1/2		JIC-D42869	34.38
		2pc		N-N-9		2-1/2	JIC-G33193	38.51
LOADER TILT				I-U-1	1-1/2		JIC-D42870	34.14
		2pc		N-N-9		3	JIC-G33151	39.48
MODEL 580 Super L								
BACKHOE BOOM	144200A1	1pc		P-UB-10	2-1/4	5	JIC-1542919C2	247.03
BACKHOE BUCKET	110290A1	1pc		P-UB-10	2-1/2	3-1/2	JIC-1542923C2	105.84
	235916A1	1pc		P-UB-10	2-1/2	3-1/2	JIC-1542923C2	105.84
BACKHOE DIPPER	126151A1	1pc		P-UB-10	2-1/2	5	JIC-84154316	100.04
	183795A1	1pc		P-UB-10	2-1/2	5	JIC-84154316	100.04
	183795A2	1pc		P-UB-10	2-1/2	5	JIC-84154316	100.04
BACKHOE DIPPER EXT	1340969C2	1pc		P-UB-10	1-3/4	3	JIC-1543267C1	81.96
BACKHOE STABILIZER	143695A1	1pc		P-UB-10	2	4-1/4	JIC-1543275C1	107.89
	143697A1	1pc		P-UB-10	2	4-1/4	JIC-1543275C1	107.89
	199720A1	1pc		P-UB-10	2	4-1/4	JIC-1543275C1	107.89
	199721A1	1pc		P-UB-10	2	4-1/4	JIC-1543275C1	107.89
BACKHOE SWING	139808A1	1pc		P-UB-10	2	4	JIC-122535A1	165.24
LOADER BUCKET	113133A2	1pc		P-UB-10	1-1/2	3	JIC-1543256C1	66.32
LOADER CLAM	1346189C1	1pc		P-UB-10	1-3/4	3	JIC-1543267C1	81.96
	1346190C1	1pc		P-UB-10	1-3/4	3	JIC-1543267C1	81.96
LOADER LIFT	112366A2	1pc		P-UB-10	1-3/4	3-1/4	JIC-1543260C1	83.86
MODEL 580 Super L Construction King								
BACKHOE BOOM	144200A1			P-UB-10	2-1/4	5	JIC-1542919C2	247.03
BACKHOE BUCKET	110290A1			P-UB-10	2-1/2	3-1/2	JIC-1542923C2	105.84
	235916A1			P-UB-10	2-1/2	3-1/2	JIC-1542923C2	105.84
BACKHOE DIPPER	126151A1			P-UB-10	2-1/2	5	JIC-84154316	100.04
	183795A1			P-UB-10	2-1/2	5	JIC-84154316	100.04
BACKHOE DIPPER EXT	1340969C2			P-UB-10	1-3/4	3	JIC-1543267C1	81.96
BACKHOE SWING	139808A1			P-UB-10	2	4	JIC-122535A1	165.24
	139808A2			P-UB-10	2	4	JIC-122535A1	165.24
LOADER BUCKET	113133A2			P-UB-10	1-1/2	3	JIC-1543256C1	66.32
LOADER CLAM - LH	1346189C1			P-UB-10	1-3/4	3	JIC-1543267C1	81.96
LOADER CLAM - RH	1346190C1			P-UB-10	1-3/4	3	JIC-1543267C1	81.96
LOADER LIFT	112366A2			P-UB-10	1-3/4	3-1/4	JIC-1543260C1	83.86
STABILIZER - LH	143697A1			P-UB-10	2	4-1/4	JIC-1543275C1	107.89
	199721A1			P-UB-10	2	4-1/4	JIC-1543275C1	107.89
STABILIZER - RH	143695A1			P-UB-10	2	4-1/4	JIC-1543275C1	107.89
	199720A1			P-UB-10	2	4-1/4	JIC-1543275C1	107.89

CASE

CASE

Replacement Kits For

Backhoe Loaders								
APPLICATION	CYL #	Piston	SERIAL #	CODE	ROD	BORE	KIT #	List \$
MODEL 580 Super M								
BACKHOE BOOM				P-UB-10	2-1/4	5	JIC-1542919C4	247.03
	310844A1			P-UB-10	2-1/4	5	JIC-1542919C4	247.03
	378031A1			P-UB-10	2-1/4	5	JIC-1542919C4	247.03
	87408036			P-UB-10	2-1/4	5	JIC-1542919C4	247.03
BACKHOE BUCKET	235916A1			P-UB-10	2-1/2	3-1/2	JIC-1542923C2	105.84
BACKHOE DIPPER	183795A3			P-UB-10	2-1/2	5	JIC-84154316	100.04
BACKHOE EXTENDABLE DIPPER	1340969C2			P-UB-10	1-3/4	3	JIC-1543267C1	81.96
BACKHOE STABILIZER LH	199721A1			P-UB-10	2	4-1/4	JIC-1543275C1	107.89
BACKHOE STABILIZER RH	199720A1			P-UB-10	2	4-1/4	JIC-1543275C1	107.89
BACKHOE SWING	139808A2			P-UB-10	2	4	JIC-122535A1	165.24
LOADER BUCKET	113133A2			P-UB-10	1-1/2	3	JIC-1543256C1	66.32
LOADER CLAM LH	1346190C1			P-UB-10	1-3/4	3	JIC-1543267C1	81.96
LOADER CLAM RH	1346189C1			N-UB-1	1-3/4		JIC-1542875C1	29.46
LOADER LIFT	384240A1			P-UB-10	1-3/4	3-1/4	JIC-1543260C1	83.86
MODEL 580 Super M SERIES 3								
BACKHOE BOOM	87711763		02/08-	P-UB-10,12	2-1/2	5-1/4	JIC-87418297	300.55
BACKHOE BUCKET	235916A1		02/08-	P-UB-10	2-1/2	3-1/2	JIC-1542923C2	105.84
BACKHOE DIPPER	183795A4		02/08-	P-UB-10	2-1/2	5	JIC-84154316	100.04
BACKHOE STABILIZER LH	199721A1		02/08-	P-UB-10	2	4-1/4	JIC-84155085	106.34
BACKHOE STABILIZER RH	199720A1		02/08-	P-UB-10	2	4-1/4	JIC-84155085	106.34
BACKHOE SWING	139808A2		02/08-	P-UB-10	2	4	JIC-122535A1	165.24
	188027A2		02/08-	P-UB-10,12	2	3-3/4	JIC-191747A1	158.61
LOADER BUCKET	87609669		02/08-	P-UB-10	1-1/2	3	JIC-1543256C1	66.32
LOADER CLAM LH	87454016		02/08-	P-UB-10	1-3/4	3	JIC-1543267C1	81.96
LOADER CLAM RH	87454017		02/08-	P-UB-10	1-3/4	3	JIC-1543267C1	81.96
LOADER LIFT	384240A1		02/08-	P-UB-10	1-3/4	3-1/4	JIC-1543260C1	83.86
MODEL 580 Super M+ SERIES 3								
BACKHOE BOOM	87711763		02/08-	P-UB-10,12	2-1/2	5-1/4	JIC-87418297	300.55
BACKHOE BUCKET	235916A1		02/08-	P-UB-10	2-1/2	3-1/2	JIC-1542923C2	105.84
BACKHOE DIPPER	183795A4		02/08-	P-UB-10	2-1/2	5	JIC-84154316	100.04
BACKHOE EXTENDABLE DIPPER	1340969C2		02/08-	P-UB-10	1-3/4	3	JIC-1543267C1	81.96
BACKHOE STABILIZER LH	177257A1		02/08-	P-UB-10	2-1/4	5	JIC-84154317	108.07
BACKHOE STABILIZER RH	177256A1		02/08-	P-UB-10	2-1/4	5	JIC-84154317	108.07
BACKHOE SWING	139808A2		02/08-	P-UB-10	2	4	JIC-122535A1	165.24
LOADER BUCKET	87609669		02/08-	P-UB-10	1-1/2	3	JIC-1543256C1	66.32
LOADER CLAM LH	87454016		02/08-	P-UB-10	1-3/4	3	JIC-1543267C1	81.96
LOADER CLAM RH	87454017		02/08-	P-UB-10	1-3/4	3	JIC-1543267C1	81.96
LOADER LIFT	384240A1		02/08-	P-UB-10	1-3/4	3-1/4	JIC-1543260C1	83.86
MODEL 580 Super N Tier 3								
BACKHOE BUCKET	84210935			P-UB-12,14	2-1/2	3-1/2	JIC-84259225	134.07
BACKHOE BUCKET (WT)	84210935			P-UB-12,14	2-1/2	3-1/2	JIC-84259225	134.07
BACKHOE DIPPER	47458141		3/12-2/15, 3/15-	P-UB-12,14	2-1/2	4-3/4	JIC-84259222	216.06
	84288848		7/09-	P-UB-12,14	2-1/2	4-3/4	JIC-84259222	216.06
	84421591		3/12-2/15	P-UB-12,14	2-1/2	4-3/4	JIC-84259222	216.06
BACKHOE STABILIZER LH	84210938			P-UB-14	2-1/4	4-1/2	JIC-84259227	149.76
BACKHOE STABILIZER LH (WT)	84212184			P-UB-14	2-1/2	5-1/4	JIC-84259228	173.34
BACKHOE STABILIZER RH	84210947			P-UB-14	2-1/4	4-1/2	JIC-84259227	149.76
BACKHOE STABILIZER RH (WT)	84210948			P-UB-14	2-1/2	5-1/4	JIC-84259228	173.34
BACKHOE SWING	139808A2			P-UB-10	2	4	JIC-122535A1	165.24
BACKHOE SWING (WT)	139808A2			P-UB-10	2	4	JIC-122535A1	165.24
LOADER 4-IN-1 LH	87454016			P-UB-10	1-3/4	3	JIC-1543267C1	81.96
LOADER 4-IN-1 LH (WT)	87454016			P-UB-10	1-3/4	3	JIC-1543267C1	81.96

FORMERLY LISTED REPAIR PARTS ARE AVAILABLE ONLINE AT WWW.HERCULESUS.COM
OR BY CONTACTING YOUR REGIONAL HERCULES SALES TEAM.

CASE

Replacement Kits For

Backhoe Loaders								
APPLICATION	CYL #	Piston	SERIAL #	CODE	ROD	BORE	KIT #	List \$
MODEL 580 Super N Tier 3								
LOADER 4-IN-1 RH	87454017			P-UB-10	1-3/4	3	JIC-1543267C1	81.96
LOADER 4-IN-1 RH (WT)	87454017			P-UB-10	1-3/4	3	JIC-1543267C1	81.96
LOADER BUCKET	84210943			P-UB-12,14	1-1/2	3	JIC-84257772	109.99
LOADER BUCKET (WT)	84210943			P-UB-12,14	1-1/2	3	JIC-84257772	109.99
LOADER LIFT	84224057			P-UB-12,14	1-3/4	3-1/4	JIC-84257323	133.19
LOADER LIFT (WT)	84210940			P-UB-12,14	1-7/8	3-1/2	JIC-84258339	148.11
STEERING	84264405			I-U-10	36 mm	63 mm	JIC-84330972	106.02
STEERING (WT)	84264406			I-U-10	40 mm	70 mm	JIC-84331720	183.86
MODEL 580 Super N Tier 4								
BACKHOE ARM	84421595			P-UB-12,14	2-1/2	3-1/2	JIC-84259225	134.07
BACKHOE ARM (WT)	84421595			P-UB-12,14	2-1/2	3-1/2	JIC-84259225	134.07
BACKHOE STABILIZER	84421605			P-UB-14	2-1/4	4-1/2	JIC-84259227	149.76
BACKHOE STABILIZER (WT)	84421607			P-UB-14	2-1/2	5-1/4	JIC-84259228	173.34
BACKHOE SWING	84428583			P-UB-10	2	4	JIC-122535A1	165.24
BACKHOE SWING (WT)	84428583			P-UB-10	2	4	JIC-122535A1	165.24
BOOM	84421588			P-UB-12,14	2-1/2	5	JIC-84259219	225.62
BOOM (WT)	84421588			P-UB-12,14	2-1/2	5	JIC-84259219	225.62
BUCKET	84421601			P-UB-12,14	1-1/2	3	JIC-84257772	109.99
BUCKET (WT)	84421601			P-UB-12,14	1-1/2	3	JIC-84257772	109.99
CLAM	87455458			P-UB-10	1-3/4	3	JIC-86982377	64.88
CLAM (WT)	87455459			P-UB-10	1-3/4	3	JIC-86982377	64.88
DIPPER	84421591			P-UB-12,14	2-1/2	4-3/4	JIC-84259222	216.06
	84421678			P-UB-10	1-3/4	3	JIC-86982377	64.88
DIPPER (WT)	84421591			P-UB-12,14	2-1/2	4-3/4	JIC-84259222	216.06
	84421678			P-UB-10	1-3/4	3	JIC-86982377	64.88
EXTENDABLE DIPPER	84421678			P-UB-10	1-3/4	3	JIC-86982377	64.88
EXTENDABLE DIPPER (WT)	84421678			P-UB-10	1-3/4	3	JIC-86982377	64.88
LIFT	84421598			P-UB-12,14	1-3/4	3-1/4	JIC-84257323	133.19
LIFT (WT)	84421599			P-UB-12,14	1-7/8	3-1/2	JIC-84258339	148.11
LOADER BUCKET 4-IN-1	87455458			P-UB-10	1-3/4	3	JIC-86982377	64.88
LOADER BUCKET 4-IN-1 (WT)	87455459			P-UB-10	1-3/4	3	JIC-86982377	64.88
STEERING	84264405			I-U-10	36 mm	63 mm	JIC-84330972	106.02
STEERING (WT)	84264405			I-U-10	36 mm	63 mm	JIC-84330972	106.02
STEERING-2WD	401055A1			I-U-10	36 mm	63 mm	JIC-401061A1	105.29
STEERING-4WD (WT)	84264406			I-U-10	40 mm	70 mm	JIC-84331720	183.86
MODEL 580 with Backhoe Models 33, 33S								
3-PT HITCH LIFT		2pc		P-U-9	1-1/2	2-1/2	JIC-G32294	59.94
3-PT HITCH PITCH		2pc		P-U-9	1-1/4	2-1/2	JIC-G32295	75.31
		1pc		P-UB-10	1-1/4	2-1/2	JIC-G105507	43.97
3-PT HITCH TILT		2pc		P-UB-9	1-1/2	3	JIC-G105512	86.99
BACKHOE BOOM		2pc		P-U-9	2	4	JIC-G32299	86.57
		1pc		P-UB-9	2-1/4	4-1/2	JIC-G105520	147.24
		2pc		P-UB-9	2	4	JIC-G105517	91.69
				P-U-1	2-1/4		JIC-D42878	31.12
				I-U-1	2		JIC-D42876	32.24
		2pc		N-N-9		4	JIC-G33239	47.66
		2pc		N-N-9		4-1/2	JIC-DTVS4.5P	87.17
BACKHOE BUCKET		2pc		P-U-9	2	3-1/2	JIC-G32293	67.16
		2pc		P-UB-9	2	3-1/2	JIC-G105527	87.50
				P-U-1	2-1/4		JIC-D42878	31.12
				I-U-1	2		JIC-D42874	27.26
		2pc		I-U-1	1-3/4		JIC-D42873	35.04
		2pc		N-N-9		3-1/2	JIC-G33237	43.70
BACKHOE DIPPER		2pc		P-U-9	2	4	JIC-G32299	86.57

CASE

CASE

Backhoe Loaders								
APPLICATION	CYL #	Piston	SERIAL #	CODE	ROD	BORE	KIT #	List \$
MODEL 580 with Backhoe Models 33, 33S								
BACKHOE DIPPER		2pc		P-UB-9	2	4	JIC-G105517	91.69
				I-U-1	2		JIC-D42876	32.24
		2pc		N-N-9		4	JIC-G33239	47.66
BACKHOE DIPPER EXT		2pc		P-UB-9	1-3/4	3-1/2	JIC-G105529	69.68
		2pc		P-UB-9	1-1/2	3	JIC-G105512	86.99
				I-U-1	1-3/4		JIC-D42873	35.04
		2pc		N-N-9		3-1/2	JIC-G33237	43.70
BACKHOE STABILIZER		2pc		P-U-9	1-3/4	3-1/2	JIC-G105518	74.31
		2pc		P-UB-9	1-3/4	3-1/2	JIC-G105529	69.68
				I-U-1	1-3/4		JIC-D42873	35.04
		2pc		N-N-9		3-1/2	JIC-G33237	43.70
BACKHOE SWING		2pc		P-UB-9	1-3/4	4	JIC-G105519	83.00
				I-U-1	1-3/4		JIC-D42875	27.12
		2pc		N-N-9		4	JIC-G33239	47.66
LOADER CLAM		2pc		P-UB-9	1-3/4	3	JIC-G105524	95.86
LOADER GRAPPLE		2pc		P-U-9	1-1/2	2-1/2	JIC-G32294	59.94
				I-U-1	1-1/2		JIC-D42869	34.38
		2pc		N-N-9		2-1/2	JIC-G33193	38.51
LOADER HYDRA-LEVELING		2pc		P-UB-9	1-3/4	3	JIC-G105524	95.86
				I-U-1	1-3/4		JIC-D42872	25.58
		2pc		N-N-9		3	JIC-G33151	39.48
LOADER LIFT		2pc		P-UB-9	1-1/2	3	JIC-G105512	86.99
				I-U-1	1-1/2		JIC-D42870	34.14
		2pc		N-N-9		3	JIC-G33151	39.48
LOADER TILT		2pc		P-U-9	1-1/2	2-1/2	JIC-G32294	59.94
				I-U-1	1-1/2		JIC-D42869	34.38
		2pc		N-N-9		2-1/2	JIC-G33193	38.51
MODEL 580C Construction King								
3-PT HITCH LIFT	G101189	1pc		P-UB-10	1-1/2	3	JIC-G105548	65.14
	G33456	2pc		P-UB-9	1-1/2	3	JIC-G105512	86.99
3-PT HITCH PITCH	G33128			P-UB-10	1-1/4	2-1/2	JIC-G105507	43.97
3-PT HITCH TILT	G101188	1pc		P-UB-10	1-1/4	2-1/2	JIC-G105551	55.40
	G33351	2pc		P-U-9	1-1/4	2-1/2	JIC-G32295	75.31
BACKHOE BOOM	G101177	1pc		P-UB-10	1-3/4	3-1/4	JIC-G105547	74.88
	G33881	2pc		P-UB-8	1-3/4	3-1/4	JIC-G105528	79.76
BACKHOE BUCKET	G101176			P-UB-10	2	3-1/2	JIC-G105546	78.28
	G33196	2pc		P-UB-9	2	3-1/2	JIC-G105527	87.50
BACKHOE DIPPER	G101175	1pc		P-UB-10	2	4	JIC-G105545	88.50
	G32079	2pc		P-U-9	2	4	JIC-G34594	89.41
BACKHOE DIPPER EXT	G101183	1pc		P-UB-10	1-1/2	3	JIC-G105548	65.14
	G33142	2pc		P-UB-9	1-1/2	3	JIC-G105512	86.99
BACKHOE STABILIZER LH	G101181	1pc		P-UB-10	2	4	JIC-G105545	88.50
	G34471	2pc		P-U-9	2	4	JIC-G34594	89.41
BACKHOE STABILIZER RH	G101180	1pc		P-UB-10	2	4	JIC-G105545	88.50
	G34470	2pc		P-U-9	2	4	JIC-G34594	89.41
BACKHOE SWING	G101182	1pc		P-UB-10	2	4	JIC-G105545	88.50
	G102525	1pc	5411088-	P-UB-10	2	4	JIC-G105545	88.50
	G34881	2pc		P-U-9	2	4	JIC-G34594	89.41
LOADER BUCKET LH	G33421	2pc		P-U-9	1-1/2	2-1/2	JIC-G32294	59.94
LOADER BUCKET RH	G33420	2pc		P-U-9	1-1/2	2-1/2	JIC-G32294	59.94
LOADER BUCKET TILT LH	G101187	1pc		P-UB-10	1-1/2	2-1/2	JIC-G105550	48.88
LOADER BUCKET TILT RH	G101186	1pc		P-UB-10	1-1/2	2-1/2	JIC-G105550	48.88
LOADER CLAM LH	G101191	1pc		P-UB-10	1-3/4	3	JIC-G105549	82.89
	G33799	2pc		P-UB-9	1-3/4	3	JIC-G105524	95.86
LOADER CLAM RH	G101190	1pc		P-UB-10	1-3/4	3	JIC-G105549	82.89

CASE

Replacement Kits For

Backhoe Loaders								
APPLICATION	CYL #	Piston	SERIAL #	CODE	ROD	BORE	KIT #	List \$
MODEL 580C Construction King								
LOADER CLAM RH	G33798	2pc		P-UB-9	1-3/4	3	JIC-G105524	95.86
LOADER GRAPPLE	G101251	1pc		P-UB-10	1-1/2	2-1/2	JIC-G105550	48.88
	G34293	2pc		P-U-9	1-1/2	2-1/2	JIC-G32294	59.94
LOADER LIFT	G101184	1pc		P-UB-10	1-3/4	3	JIC-G105549	82.89
LOADER LIFT LH	G100414	2pc		P-UB-9	1-3/4	3	JIC-G105524	95.86
LOADER LIFT RH	G100415	2pc		P-UB-9	1-3/4	3	JIC-G105524	95.86
MODEL 580L								
3-PT HITCH LIFT	137512A1	1pc		P-UB-10	1-1/2	3	JIC-1543256C1	66.32
	137912A1	1pc		P-U-10	1-1/4	2-1/2	JIC-183286A1	76.36
	196832A1	1pc		P-UB-10	1-1/2	3	JIC-1543256C1	66.32
3-PT HITCH PITCH	138235A1	1pc		P-U-10	1-1/4	2-1/2	JIC-183286A1	76.36
BACKHOE BOOM	182106A1	1pc		P-UB-10,12	2-1/4	4-1/2	JIC-182218A1	149.29
BACKHOE BUCKET	128760A1	1pc		P-UB-10	2-1/4	3-1/4	JIC-131750A2	103.69
BACKHOE DIPPER	175774A1	1pc		P-UB-10,12	2-1/4	4-1/4	JIC-234844A1	154.94
	233114A1	1pc		P-UB-10,12	2-1/4	4-1/4	JIC-234844A1	154.94
BACKHOE DIPPER EXT	1340970C2	1pc		P-UB-10	1-3/4	3	JIC-1543267C1	81.96
BACKHOE STABILIZER	143574A1	1pc		P-UB-10	2	4	JIC-1543269C1	102.15
	143575A1	1pc		P-UB-10	2	4	JIC-1543269C1	102.15
	195503A1	1pc		P-UB-10	2	4	JIC-1543269C1	102.15
	195504A1	1pc		P-UB-10	2	4	JIC-1543269C1	102.15
BACKHOE SWING	139808A1	1pc		P-UB-10	2	4	JIC-122535A1	165.24
	139808A2	1pc		P-UB-10	2	4	JIC-122535A1	165.24
	188027A1	1pc		P-UB-10,12	2	3-3/4	JIC-191747A1	158.61
LOADER BUCKET	175238A1	1pc		P-UB-10	1-1/2	2-3/4	JIC-175251A1	162.08
LOADER CLAM	1346189C1	1pc		P-UB-10	1-3/4	3	JIC-1543267C1	81.96
LOADER LIFT	131417A1	1pc		P-UB-10	1-3/4	3	JIC-1543267C1	81.96
MODEL 580M								
BACKHOE BOOM	189653A2		02/08-	P-UB-10,12	2-1/4	4-1/2	JIC-182218A1	149.29
BACKHOE BUCKET	128760A1		02/08-	P-UB-10	2-1/4	3-1/4	JIC-131750A2	103.69
BACKHOE DIPPER	233114A2		02/08-	P-UB-10,12	2-1/4	4-1/4	JIC-234844A1	154.94
BACKHOE EXTENDABLE DIPPER	1340969C2		02/08-	P-UB-10	1-3/4	3	JIC-1543267C1	81.96
BACKHOE STABILIZER LH	195503A1		02/08-	P-UB-10	2	4	JIC-1543269C1	102.15
BACKHOE STABILIZER RH	195503A1		02/08-	P-UB-10	2	4	JIC-1543269C1	102.15
BACKHOE SWING	188027A2		02/08-	P-UB-10,12	2	3-3/4	JIC-191747A1	158.61
LOADER BUCKET	113133A2			P-UB-10	1-1/2	3	JIC-1543256C1	66.32
	87609669		02/08-	P-UB-10	1-1/2	3	JIC-1543256C1	66.32
LOADER CLAM	1346189C1			P-UB-10	1-3/4	3	JIC-1543267C1	81.96
LOADER CLAM LH	87454016		02/08-	P-UB-10	1-3/4	3	JIC-1543267C1	81.96
LOADER CLAM RH	87454017		02/08-	P-UB-10	1-3/4	3	JIC-1543267C1	81.96
LOADER LIFT	384240A1		02/08-	P-UB-10	1-3/4	3-1/4	JIC-1543260C1	83.86
MODEL 580N (Brazil)								
BACKHOE BUCKET	84421594			P-UB-12,14	2-1/4	3-1/4	JIC-84259224	156.70
BACKHOE EXTENDABLE DIPPER	84421678			P-UB-10	1-3/4	3	JIC-86982377	64.88
BACKHOE STABILIZER LH	84421604			P-UB-14	2-1/4	4-1/4	JIC-84259226	158.02
BACKHOE STABILIZER RH	84421603			P-UB-14	2-1/4	4-1/4	JIC-84259226	158.02
BACKHOE SWING	84426789			P-UB-10,12	2	3-3/4	JIC-191747A1	158.61
LOADER 4-IN-1 LH	87454016			P-UB-10	1-3/4	3	JIC-1543267C1	81.96
LOADER 4-IN-1 RH	87454017			P-UB-10	1-3/4	3	JIC-1543267C1	81.96
LOADER BUCKET	84421600			P-UB-10	1-1/2	3	JIC-1543256C1	66.32
LOADER LIFT	84421597			P-UB-12,14	1-3/4	3-1/4	JIC-84257323	133.19
STEERING	401055A1			I-U-10	36 mm	63 mm	JIC-401061A1	105.29
MODEL 580N Tier 3								
BACKHOE DIPPER	84290402			P-UB-12,14	2-1/4	4-1/4	JIC-84259221	126.77
BACKHOE STABILIZER LH	84210937			P-UB-14	2-1/4	4-1/4	JIC-84259226	158.02

CASE

CASE

Replacement Kits For

Backhoe Loaders								
APPLICATION	CYL #	Piston	SERIAL #	CODE	ROD	BORE	KIT #	List \$
MODEL 580N Tier 3								
BACKHOE STABILIZER RH	84210946			P-UB-14	2-1/4	4-1/4	JIC-84259226	158.02
BACKHOE SWING	188027A2			P-UB-10,12	2	3-3/4	JIC-191747A1	158.61
LOADER 4-IN-1 LH	87454016			P-UB-10	1-3/4	3	JIC-1543267C1	81.96
LOADER 4-IN-1 RH	87454017			P-UB-10	1-3/4	3	JIC-1543267C1	81.96
LOADER BUCKET	84224079			P-UB-14	1-1/2	3	JIC-84257788	89.43
LOADER LIFT	84210939			P-UB-14	1-3/4	3-1/4	JIC-84257765	93.55
STEERING	84264405			I-U-10	36 mm	63 mm	JIC-84330972	106.02
MODEL 580N Tier 4								
BACKHOE (W/O EXTENDABLE DIPPER)	84421678			P-UB-10	1-3/4	3	JIC-86982377	64.88
BACKHOE STABILIZER LH	84421604			P-UB-14	2-1/4	4-1/4	JIC-84259226	158.02
BACKHOE STABILIZER RH	84421603			P-UB-14	2-1/4	4-1/4	JIC-84259226	158.02
BACKHOE SWING	84426789			P-UB-10,12	2	3-3/4	JIC-84172816	88.94
BOOM	84421585			P-UB-12,14	2-1/4	4-1/2	JIC-84259218	166.67
	84551146			P-UB-12,14	2-1/4	4-1/2	JIC-84259218	166.67
BUCKET	84421594			P-UB-12,14	2-1/4	3-1/4	JIC-84259224	156.70
CLAM LH	87455458			P-UB-10	1-3/4	3	JIC-86982377	64.88
CLAM RH	87455459			P-UB-10	1-3/4	3	JIC-86982377	64.88
DIPPER	47458137			P-UB-12,14	2-1/4	4-1/4	JIC-84259221	126.77
	84421590			P-UB-12,14	2-1/4	4-1/4	JIC-84259221	126.77
EXTENDABLE DIPPER	84421678			P-UB-10	1-3/4	3	JIC-86982377	64.88
LIFT	84421597			P-UB-14	1-3/4	3-1/4	JIC-84257765	93.55
LOADER BUCKET	84421600			P-UB-14	1-1/2	3	JIC-84257788	89.43
LOADER BUCKET 4-IN-1 LH	87455458			P-UB-10	1-3/4	3	JIC-86982377	64.88
LOADER BUCKET 4-IN-1 RH	87455459			P-UB-10	1-3/4	3	JIC-86982377	64.88
STEERING	84264405			I-U-10	36 mm	63 mm	JIC-84330972	106.02
STEERING-2WD	401055A1			I-U-10	36 mm	63 mm	JIC-401061A1	105.29
MODEL 590 Super L								
BACKHOE BOOM	175785A1	1pc		P-UB-10	2-1/2	5-1/2	JIC-1980412C2	322.53
BACKHOE BUCKET	1986902C2	1pc		P-UB-10	2-1/2	3-1/2	JIC-1542923C2	105.84
	238435A1	1pc		P-UB-10	2-1/2	3-1/2	JIC-1542923C2	105.84
BACKHOE DIPPER	140965A1	1pc		P-UB-10,12	2-3/4	5-1/2	JIC-179011A1	231.88
BACKHOE DIPPER EXT	1340853C2	1pc		P-UB-10	1-3/4	3	JIC-1543267C1	81.96
BACKHOE STABILIZER	177256A1	1pc		P-UB-10	2-1/4	5	JIC-1543289C2	129.09
	177257A1	1pc		P-UB-10	2-1/4	5	JIC-1543289C2	129.09
BACKHOE SWING	139808A1	1pc		P-UB-10	2	4	JIC-122535A1	165.24
LOADER BUCKET	113133A2	1pc		P-UB-10	1-1/2	3	JIC-1543256C1	66.32
LOADER CLAM	1346189C1	1pc		P-UB-10	1-3/4	3	JIC-1543267C1	81.96
	1346190C1	1pc		P-UB-10	1-3/4	3	JIC-1543267C1	81.96
LOADER LIFT	133936A1	1pc		P-UB-10	1-3/4	3-1/2	JIC-1543266C1	83.50
MODEL 590 Super M								
BACKHOE BOOM	175785A1			P-UB-10	2-1/2	5-1/2	JIC-1980412C2	322.53
BACKHOE BUCKET	296434A1			P-UB-10	2-3/4	3-3/4	JIC-297895A1	115.98
BACKHOE DIPPER	140965A1			P-UB-10,12	2-3/4	5-1/2	JIC-179011A1	231.88
BACKHOE EXT. DIPPER	1340853C1			P-UB-10	1-3/4	3	JIC-1543267C1	81.96
BACKHOE SWING	139808A2			P-UB-10	2	4	JIC-122535A1	165.24
LOADER BUCKET	255756A1			P-UB-10	1-3/4	3-1/4	JIC-1543260C1	83.86
LOADER CLAM	1346189C1			P-UB-10	1-3/4	3	JIC-1543267C1	81.96
	1346190C1			P-UB-10	1-3/4	3	JIC-1543267C1	81.96
LOADER LIFT	133936A1			P-UB-10	1-3/4	3-1/2	JIC-1543266C1	83.50
STEERING	1986518C2			P-U-10	1-1/2	2-3/4	JIC-G110045	104.59
MODEL 590 Super M SERIES 3								
BACKHOE BOOM	175785A1		02/08-	I-UB-10	2-1/2	5-1/2	JIC-87367429	240.78
BACKHOE BUCKET	296434A1		02/08-	P-UB-10	2-3/4	3-3/4	JIC-297895A1	115.98
BACKHOE DIPPER	1340853C2		02/08-	P-UB-10	1-3/4	3	JIC-1543267C1	81.96

CASE

Replacement Kits For

CASE

Backhoe Loaders								
APPLICATION	CYL #	Piston	SERIAL #	CODE	ROD	BORE	KIT #	List \$
MODEL 590 Super M SERIES 3								
BACKHOE DIPPER	140965A1		02/08-	P-UB-10,12	2-3/4	5-1/2	JIC-87367212	199.54
BACKHOE STABILIZER LH	177257A1		02/08-	P-UB-10	2-1/4	5	JIC-84154317	108.07
BACKHOE STABILIZER RH	177256A1		02/08-	P-UB-10	2-1/4	5	JIC-84154317	108.07
BACKHOE SWING	139808A2		02/08-	P-UB-10	2	4	JIC-122535A1	165.24
LOADER BUCKET	255756A1		02/08-	P-UB-10	1-3/4	3-1/4	JIC-1543260C1	83.86
LOADER CLAM LH	87454016		02/08-	P-UB-10	1-3/4	3	JIC-1543267C1	81.96
LOADER CLAM RH	87454017		02/08-	P-UB-10	1-3/4	3	JIC-1543267C1	81.96
LOADER LIFT	133936A1		02/08-	P-UB-10	1-3/4	3-1/2	JIC-1543266C1	83.50
MODEL 590 Super N Tier 3								
BACKHOE BOOM	84210930			P-UB-12,14	2-3/4	5-1/2	JIC-84259220	206.60
BACKHOE BUCKET	84210936			P-UB-12,14	2-1/2	3-1/2	JIC-84259225	134.07
BACKHOE DIPPER	84302994			P-UB-12,14	2-3/4	5-1/4	JIC-84259223	335.96
BACKHOE EXTENDABLE DIPPER	84182292			P-UB-10	1-3/4	3	JIC-86982377	64.88
BACKHOE STABILIZER LH	84212184			P-UB-14	2-1/2	5-1/4	JIC-84259228	173.34
	84212184			Wear Ring		2-5/8	JIC-G102427	18.74
BACKHOE STABILIZER RH	84210948			P-UB-14	2-1/2	5-1/4	JIC-84259228	173.34
	84210948			Wear Ring		2-5/8	JIC-G102427	18.74
BACKHOE SWING	139808A2			P-UB-10	2	4	JIC-122535A1	165.24
LOADER 4-IN-1	87454017			P-UB-10	1-3/4	3	JIC-1543267C1	81.96
LOADER LIFT	84210940			P-UB-12,14	1-7/8	3-1/2	JIC-84258339	148.11
STEERING	401055A1			I-U-10	36 mm	63 mm	JIC-401061A1	105.29
MODEL 590 Super N Tier 4								
BACKHOE (W/O EXTENDABLE DIPPER)	84421679			P-UB-10	1-3/4	3	JIC-86982377	64.88
BACKHOE STABILIZER	84421609			P-UB-14	2-1/2	5-1/4	JIC-84259228	173.34
BACKHOE SWING	84428583			P-UB-10	2	4	JIC-122535A1	165.24
BOOM	84421589			P-UB-12,14	2-3/4	5-1/2	JIC-84259220	206.60
BUCKET	84421596			P-UB-12,14	2-1/2	3-1/2	JIC-84259225	134.07
	84421602			P-UB-12,14	1-3/4	3-1/4	JIC-84257323	133.19
CLAM LH	87455458			P-UB-10	1-3/4	3	JIC-86982377	64.88
CLAM RH	87455459			P-UB-10	1-3/4	3	JIC-86982377	64.88
DIPPER	84420672			P-UB-12,14	2-3/4	5-1/4	JIC-84259223	335.96
EXTENDABLE DIPPER	84421679			P-UB-10	1-3/4	3	JIC-86982377	64.88
LIFT	84421599			P-UB-12,14	1-7/8	3-1/2	JIC-84258339	148.11
LOADER BUCKET 4-IN-1 LH	87455458			P-UB-10	1-3/4	3	JIC-86982377	64.88
LOADER BUCKET 4-IN-1 RH	87455459			P-UB-10	1-3/4	3	JIC-86982377	64.88
STEERING	84264405			I-U-10	36 mm	63 mm	JIC-84330972	106.02
STEERING-4WD	84264406			I-U-10	40 mm	70 mm	JIC-84331720	183.86
MODEL 590SR Super R								
BACKHOE EXTENSION	87412686		1/04-	P-UB-10	2	2-3/4	JIC-87428866	56.35
BOOM	85820245		1/04-	P-UB-10,12	2-1/2	135 mm	JIC-87428634	311.47
	87412698		1/04-	P-UB-10,12	2-1/2	135 mm	JIC-87428874	258.24
BUCKET	87412691		1/04-	P-UB-10	2-1/2	90 mm	JIC-87428869	101.43
CLAM SHELL	85820005		1/04-	I-U-15	45 mm	80 mm	JIC-85824250	98.91
DIPPER	85820244		1/04-	P-UB-10	63 mm	4-1/2	JIC-85819350	256.76
	87412696		1/04-, After 13 Feb 2008	P-UB-10	2-1/2	4-1/2	JIC-87633295	171.56
LOADER LIFT	87429845		1/04-	P-UB-10	2	3-1/2	JIC-87432407	73.45
LOADER TILT	87429582		1/04-	P-UB-10	1-3/4	3-1/4	JIC-87432412	76.35
STABILIZER (SIDESHIFT)	87412685		1/04-	P-UB-10	2	2-3/4	JIC-87428866	56.35
SWING	87424832		1/04-, -N5GH02283	P-UB-10	2	110 mm	JIC-87445307-NP	103.75
	87450927		1/04-, N5GH002284-	P-UB-10	2	110 mm	JIC-87445307-NP	103.75
MODEL 590SR Super R Tier 2								
BACKHOE	87327257		3/05-	P-UB-10	1-3/4	3	JIC-87342131	63.81
BOOM	87412698		3/05-	P-UB-10,12	2-1/2	135 mm	JIC-87428874	258.24

CASE

CASE

Replacement Kits For

Backhoe Loaders								
APPLICATION	CYL #	Piston	SERIAL #	CODE	ROD	BORE	KIT #	List \$
MODEL 590SR Super R Tier 2								
BUCKET	235916A1		3/05-	P-UB-10	2-1/2	3-1/2	JIC-1542923C2	105.84
CLAMSHELL	87573861		3/05-	I-U-15	45 mm	80 mm	JIC-87573868	98.91
DIPPER	87412696		3/05-, After 13 Feb 2008	P-UB-10	2-1/2	4-1/2	JIC-87633295	171.56
EXTENSION	87412686		3/05-	P-UB-10	2	2-3/4	JIC-87428866	56.35
LOADER LIFT	87429845		3/05-	P-UB-10	2	3-1/2	JIC-87432407	73.45
LOADER TILT	87307299		3/05-	P-UB-10	1-3/4	3-1/4	JIC-87432412	76.35
	87429582		3/05-	P-UB-10	1-3/4	3-1/4	JIC-87432412	76.35
STABILIZER (SIDESHIFT)	87412685		3/05-	P-UB-10	2	2-3/4	JIC-87428866	56.35
	87574187		3/05-	P-UB-10	2	2-3/4	JIC-87428620	61.04
SWING	87450927		3/05-	P-UB-10	2	110 mm	JIC-87428631	116.68
MODEL 590SR Super R Tier 3								
BACKHOE EXTENSION	87327257		2/07-	P-UB-10	1-3/4	3	JIC-87342131	63.81
	87327257		2008-	P-UB-10	1-3/4	3	JIC-87342131	63.81
BOOM	87412698		2/07-	P-UB-10,12	2-1/2	135 mm	JIC-87428874	258.24
	87412698		2008-	P-UB-10,12	2-1/2	135 mm	JIC-87428874	258.24
BUCKET	235916A1		2/07-	P-UB-10	2-1/2	3-1/2	JIC-1542923C2	105.84
	235916A1		2008-	P-UB-10	2-1/2	3-1/2	JIC-1542923C2	105.84
CLAMSHELL	87573861		2/07-	I-U-15	45 mm	80 mm	JIC-87573868	98.91
	87573861		2008-	I-U-15	45 mm	80 mm	JIC-87573868	98.91
DIPPER	87412696		2/07-, After 13 Feb 2008	P-UB-10	2-1/2	4-1/2	JIC-87633295	171.56
	87412696		2008-, After 13 Feb 2008	P-UB-10	2-1/2	4-1/2	JIC-87633295	171.56
LOADER LIFT	87429845		2/07-	P-UB-10	2	3-1/2	JIC-87432407	73.45
	87585103		2008-	P-UB-10	2	3-3/4	JIC-87651309	86.27
LOADER TILT	87307299		2/07-	P-UB-10	1-3/4	3-1/4	JIC-87432412	76.35
	87307299		2008-	P-UB-10	1-3/4	3-1/4	JIC-87432412	76.35
STABILIZER (CENTRE PIVOT)	84209919		2008-	P-UB-14	2-1/4	4	JIC-84209920	133.59
STABILIZER (SIDESHIFT)	87574187		2/07-	P-UB-10	2	2-3/4	JIC-87608671	69.17
	87627940		2008-	P-UB-10	2	3	JIC-87653283	56.66
SWING	87450927		2/07-	P-UB-10	2	110 mm	JIC-87428631	116.68
	87450927		2008-	P-UB-10	2	110 mm	JIC-87428631	116.68
MODEL 680								
3-PT HITCH PITCH		1pc	ALL	P-UB-10	1-1/4	2-1/2	JIC-G110055	83.53
BACKHOE BOOM				P-U-1	2-1/4		JIC-D42878	31.12
		2pc		N-N-9		4-1/2	JIC-DTVS4.5P	87.17
BACKHOE BUCKET				I-U-1	2-1/4		JIC-D42877	25.34
		2pc		N-N-9		4	JIC-G33239	47.66
BACKHOE DIPPER				P-U-1	2-1/4		JIC-D42878	31.12
		2pc		N-N-9		4-1/2	JIC-DTVS4.5P	87.17
BACKHOE STABILIZER				I-U-1	1-3/4		JIC-D42873	35.04
		2pc		N-N-9		3-1/2	JIC-G33237	43.70
BACKHOE SWING				I-U-1	1-3/4		JIC-D42875	27.12
		2pc		N-N-9		4	JIC-G33239	47.66
LOADER TILT				I-U-1	1-3/4		JIC-D42873	35.04
		2pc		N-N-9		3-1/2	JIC-G33237	43.70
Crawler Dozers								
APPLICATION	CYL #	Piston	SERIAL #	CODE	ROD	BORE	KIT #	List \$
MODEL 750K - Series 2 Tier 2								
ANGLE	412359A1			P-UB-10	1-3/4	3-1/2	JIC-250741A1	107.14
LIFT	417854A1			P-UB-10	1-3/4	3-1/2	JIC-1543266C1	83.50
RIPPER LH	86994131			P-UB-10	1-3/4	3-1/4	JIC-1543265C1	83.86
RIPPER RH	86994129			P-UB-10	1-3/4	3-1/4	JIC-1543265C1	83.86
TILT	412357A1			P-UB-10	1-3/4	3-1/2	JIC-1543266C1	83.50

CASE

Replacement Kits For

CASE

Crawler Dozers

APPLICATION	CYL #	Piston	SERIAL #	CODE	ROD	BORE	KIT #	List \$
MODEL 750K - Series 3 Tier 2								
ANGLE	84135900			P-U-10	1-3/4	3-1/2	JIC-84157290	95.59
	87615546			P-UB-10	1-3/4	3-1/2	JIC-250741A1	107.14
LIFT	417854A1			P-UB-10	1-3/4	3-1/2	JIC-1543266C1	83.50
RIPPER LH	86994131			P-UB-10	1-3/4	3-1/4	JIC-1543265C1	83.86
RIPPER RH	86994129			P-UB-10	1-3/4	3-1/4	JIC-1543265C1	83.86
TILT	412357A1			P-UB-10	1-3/4	3-1/2	JIC-1543266C1	83.50
MODEL 750K								
ANGLE	412359A1			P-UB-10	1-3/4	3-1/2	JIC-250741A1	107.14
LIFT	417854A1			P-UB-10	1-3/4	3-1/2	JIC-1543266C1	83.50
RIPPER LH	86994131			P-UB-10	1-3/4	3-1/4	JIC-1543265C1	83.86
RIPPER RH	86994129			P-UB-10	1-3/4	3-1/4	JIC-1543265C1	83.86
TILT	412357A1			P-UB-10	1-3/4	3-1/2	JIC-1543266C1	83.50
MODEL 750L								
ANGLE	84135900			P-U-10	1-3/4	3-1/2	JIC-84157290	95.59
	87615546			P-UB-10	1-3/4	3-1/2	JIC-250741A1	107.14
LIFT	417854A1			P-UB-10	1-3/4	3-1/2	JIC-1543266C1	83.50
RIPPER LH	86994131			P-UB-10	1-3/4	3-1/4	JIC-1543265C1	83.86
RIPPER RH	86994129			P-UB-10	1-3/4	3-1/4	JIC-1543265C1	83.86
TILT	412357A1			P-UB-10	1-3/4	3-1/2	JIC-1543266C1	83.50
MODEL 850L								
ANGLE	84135900			P-U-10	1-3/4	3-1/2	JIC-84157290	95.59
	87615546			P-UB-10	1-3/4	3-1/2	JIC-250741A1	107.14
LIFT	417854A1			P-UB-10	1-3/4	3-1/2	JIC-1543266C1	83.50
RIPPER LH	86994131			P-UB-10	1-3/4	3-1/4	JIC-1543265C1	83.86
RIPPER RH	86994129			P-UB-10	1-3/4	3-1/4	JIC-1543265C1	83.86
TILT	412357A1			P-UB-10	1-3/4	3-1/2	JIC-1543266C1	83.50
MODEL 1150K								
ANGLE	87340255			P-UB-10	2-1/2	5	JIC-87342178	117.44
LIFT	87340259			P-UB-10	2	4-1/4	JIC-1543275C1	107.89
RIPPER LH 101.4mm	87517745			P-UB-10	2	4	JIC-1543273C1	107.21
RIPPER LH 101.6mm	87651120			P-UB-10	2	4	JIC-87672315	49.96
RIPPER RH 101.4mm	87517747			P-UB-10	2	4	JIC-1543273C1	107.21
RIPPER RH 101.6mm	87651090			P-UB-10	2	4	JIC-87672315	49.96
TILT	87377322			P-UB-10	2-1/2	5	JIC-84154316	100.04
MODEL 1650K - Tier 1								
ANGLE	76066278			P-UB-1	50 mm		JIC-76066272	119.17
	76066278			N-N-10		100 mm	JIC-76066271	51.53
LIFT				P-UB-1	50 mm		JIC-76066272	119.17
				N-N-10		90 mm	JIC-76066282	40.02
RIPPER LGP	76031556			P-UB-15	60 mm	120 mm	JIC-76031570	106.38
RIPPER LT XLT BD	76031593			P-UB-15	70 mm	125 mm	JIC-76031598	97.90
TILT	76066260			P-UB-1	63 mm		JIC-76066270	111.91
	76066260			N-N-10		125 mm	JIC-76066269	55.95
MODEL 1650K - Tier 2								
ANGLE version 1 & 2	76066278			P-UB-1	50 mm		JIC-76066272	119.17
	76066278			N-N-10		100 mm	JIC-76066271	51.53
ANGLE version 3	76073159			P-UB-1	55 mm		JIC-76073157	81.29
	76073159			N-N-10		110 mm	JIC-76073156	58.72
LIFT	76076602			P-UB-1	50 mm		JIC-76066272	119.17
	76076602			N-N-10		90 mm	JIC-76066282	40.02
	76076604			P-UB-1	50 mm		JIC-76066272	119.17
	76076604			N-N-10		90 mm	JIC-76066282	40.02
RIPPER version 1, 2, & 4	76092179			P-UB-15	70 mm	125 mm	JIC-76031598	97.90
RIPPER version 3	76031556			P-UB-15	60 mm	120 mm	JIC-76031570	106.38
TILT	76066260			P-UB-1	63 mm		JIC-76066270	111.91

CASE

Replacement Kits For

CASE

Crawler Dozers								
APPLICATION	CYL #	Piston	SERIAL #	CODE	ROD	BORE	KIT #	List \$
MODEL 1650K - Tier 2								
TILT	76066260			N-N-10		125 mm	JIC-76066269	55.95
	76087993			N-N-10		125 mm	JIC-79099850	61.24
	76087993			P-UB-1	63 mm		JIC-79071464	63.81
	76087993			N-N-10		125 mm	JIC-79099850	61.24
MODEL 1650L								
ANGLE LGP	76093425			P-UB-1	55 mm		JIC-76073157	81.29
	76093425			N-N-10		110 mm	JIC-76073156	58.72
ANGLE LT & XLT	76092195			P-UB-1	50 mm		JIC-76066272	119.17
	76092195			N-N-10		100 mm	JIC-76066271	51.53
LIFT	87589213			P-UB-1	50 mm		JIC-76066272	119.17
	87589213			N-N-10		90 mm	JIC-76066282	40.02
RIPPER LH	87651120			P-UB-10	2	4	JIC-87672315	49.96
RIPPER RH	87651090			P-UB-10	2	4	JIC-87672315	49.96
TILT	76092197			P-UB-1	63 mm		JIC-76066270	111.91
	76092197			N-N-10		125 mm	JIC-76066269	55.95
TILT BD	76041029			P-UB-10	63 mm	125 mm	JIC-76053661	126.41
MODEL 1850K - Tier 1								
ANGLE	76041964			P-UB-1	63 mm		JIC-79071464	63.81
LIFT LH	71470771			P-UB-1	60 mm		JIC-71452371	148.14
	71470771			N-N-10		95 mm	JIC-71470760	96.77
LIFT RH	71470778			P-UB-1	60 mm		JIC-71452371	148.14
	71470778			N-N-10		95 mm	JIC-71470760	96.77
RIPPER	71446490			P-UB-1	56 mm		JIC-79071472	61.87
	71446490			N-N-10		100 mm	JIC-79099829	26.60
	71446493			P-UB-1	56 mm		JIC-79071472	61.87
	71446493			N-N-10		100 mm	JIC-79099829	26.60
TILT	76046971			P-UB-1	70 mm		JIC-79071307	69.34
MODEL 1850K - Tier 2								
LIFT	71470071			P-UB-1	60 mm		JIC-71452371	148.14
	71470771			N-N-10		95 mm	JIC-71470760	96.77
	71470778			P-UB-1	60 mm		JIC-71452371	148.14
	71470778			N-N-10		95 mm	JIC-71470760	96.77
RIPPER	71446493			P-UB-1	56 mm		JIC-79071472	61.87
	71446493			N-N-10		100 mm	JIC-79099829	26.60
	71446494			P-UB-1	56 mm		JIC-79071472	61.87
	71446494			N-N-10		100 mm	JIC-79099829	26.60
TILT	76090663			P-UB-1	70 mm		JIC-79071307	69.34
MODEL 1850K - Tier 3								
ANGLE LT 6 WAY BLADE	87603249			P-UB-10	2-1/2	5-1/2	JIC-87731626	187.36
RIPPER	71446493			P-UB-1	56 mm		JIC-79071472	61.87
	71446493			N-N-10		100 mm	JIC-79099829	26.60
	71446494			P-UB-1	56 mm		JIC-79071472	61.87
TILT FRONT	76090663			P-UB-1	70 mm		JIC-79071307	69.34
TILT LT 6 WAY BLADE	87603253			P-UB-10	2-1/2	5-1/2	JIC-87731626	187.36
Crawler Dozers/Loaders								
APPLICATION	CYL #	Piston	SERIAL #	CODE	ROD	BORE	KIT #	List \$
MODEL 310E, 310F with Backhoe Model 31								
BACKHOE BOOM		2pc		P-U-9	2	4	JIC-G32616	83.25
				I-U-1	2		JIC-D42876	32.24
		2pc		N-N-9		4	JIC-G33239	47.66
BACKHOE BUCKET		2pc		P-U-9	1-3/4	3-1/2	JIC-G105518	74.31
				I-U-1	1-3/4		JIC-D42873	35.04
		2pc		N-N-9		3-1/2	JIC-G33237	43.70
BACKHOE DIPPER		2pc		P-UB-9	2	4	JIC-G105526	91.58
				I-U-1	2		JIC-D42876	32.24

CASE

Replacement Kits For

CASE

Crawler Dozers/Loaders								
APPLICATION	CYL #	Piston	SERIAL #	CODE	ROD	BORE	KIT #	List \$
MODEL 310E, 310F with Backhoe Model 31								
BACKHOE DIPPER		2pc		N-N-9		4	JIC-G33239	47.66
BACKHOE STABILIZER				I-U-1	1-3/4		JIC-D42873	35.04
		2pc		N-N-9		3-1/2	JIC-G33237	43.70
BACKHOE SWING		2pc		N-N-9		4	JIC-G33239	47.66
			2019001-3023000	I-U-1	1-3/4		JIC-D42875	27.12
DOZER ANGLING				I-U-1	1-3/4		JIC-D42873	35.04
		2pc		N-N-9		3-1/2	JIC-G33237	43.70
DOZER LIFT				I-U-1	1-1/4		JIC-D42867	31.89
		2pc		N-N-9		2-1/2	JIC-G33193	38.51
DOZER TILT				I-U-1	1-1/4		JIC-D42867	31.89
		2pc		N-N-9		2-1/2	JIC-G33193	38.51
LOADER LIFT				I-U-1	1-3/4		JIC-D42873	35.04
		2pc		N-N-9		3-1/2	JIC-G33237	43.70
LOADER TILT				I-U-1	1-1/4		JIC-D42867	31.89
		2pc		N-N-9		2-1/2	JIC-G33193	38.51
SCARIFIER				I-U-1	1-1/2		JIC-D42870	34.14
		2pc		N-N-9		3	JIC-G33151	39.48
MODEL 420C								
BACKHOE BOOM				I-U-1	2		JIC-D42876	32.24
		2pc		N-N-9		4	JIC-G33239	47.66
BACKHOE BUCKET				I-U-1	1-3/4		JIC-D42873	35.04
		2pc		N-N-9		3-1/2	JIC-G33237	43.70
BACKHOE DIPPER				I-U-1	2		JIC-D42876	32.24
		2pc		N-N-9		4	JIC-G33239	47.66
BACKHOE STABILIZER				I-U-1	1-3/4		JIC-D42873	35.04
		2pc		N-N-9		3-1/2	JIC-G33237	43.70
DOZER ANGLING				I-U-1	1-3/4		JIC-D42873	35.04
		2pc		N-N-9		3-1/2	JIC-G33237	43.70
DOZER LIFT				I-U-1	1-1/4		JIC-D42867	31.89
		2pc		N-N-9		4	JIC-G33239	47.66
DOZER TILT				I-U-1	1-1/4		JIC-D42867	31.89
		2pc		N-N-9		4	JIC-G33239	47.66
LOADER LIFT				I-U-1	1-3/4		JIC-D42873	35.04
		2pc		N-N-9		3-1/2	JIC-G33237	43.70
LOADER TILT				I-U-1	1-1/4		JIC-D42867	31.89
		2pc		N-N-9		4	JIC-G33239	47.66
SCARIFIER				I-U-1	1-1/2		JIC-D42870	34.14
		2pc		N-N-9		4	JIC-G33239	47.66
MODEL 450 with Backhoe Models 26, 26B, 26C, 26S, 32, 33, 35								
BACKHOE BOOM		2pc		P-U-9	2	4	JIC-G32299	86.57
		2pc		P-UB-9	2	4	JIC-G105517	91.69
		2pc		P-UB-9	1-3/4	3-1/2	JIC-G105529	69.68
		2pc		P-U-9	2-1/4	4	JIC-G34636	99.92
		1pc		P-UB-10	2-1/4	4	JIC-G105556	84.65
		2pc		P-UB-8	1-3/4	3-1/4	JIC-G105528	79.76
		2pc		P-UB-9	2-1/4	4-1/2	JIC-G105520	147.24
		1pc		P-UB-10	1-3/4	3-1/4	JIC-G105547	74.88
				I-U-1	1-3/4		JIC-D42873	35.04
				I-U-1	2		JIC-D42876	32.24
				P-U-1	2-1/4		JIC-D42878	31.12
		2pc		N-N-9		4-1/2	JIC-DTVS4.5P	87.17
		2pc		N-N-9		4	JIC-G33239	47.66
		2pc		N-N-9		3-1/2	JIC-G33237	43.70
	BACKHOE BUCKET		2pc		P-U-9	2	3-1/2	JIC-G32293
		1pc		P-UB-10	2	3-1/2	JIC-G105546	78.28

CASE

CASE

Replacement Kits For

Crawler Dozers/Loaders								
APPLICATION	CYL #	Piston	SERIAL #	CODE	ROD	BORE	KIT #	List \$
MODEL 450 with Backhoe Models 26, 26B, 26C, 26S, 32, 33, 35								
BACKHOE BUCKET		2pc		P-UB-9	2	3-1/2	JIC-G105527	87.50
		1pc		P-UB-10	1-3/4	3	JIC-G105549	82.89
		2pc		P-UB-9	1-3/4	3	JIC-G105524	95.86
				I-U-1	2		JIC-D42874	27.26
				I-U-1	1-3/4		JIC-D42872	25.58
				I-U-1	1-3/4		JIC-D42873	35.04
		2pc		N-N-9			3-1/2	JIC-G33237
BACKHOE DIPPER		2pc		P-U-9	2	3-1/2	JIC-G32293	67.16
		1pc		P-UB-10	2	3-1/2	JIC-G105546	78.28
		1pc		P-UB-10	2	4	JIC-1543273C1	107.21
		2pc		P-UB-9	2	4	JIC-G105517	91.69
		2pc		P-UB-9	2	3-1/2	JIC-G105527	87.50
		2pc		P-U-9	2	4	JIC-G32299	86.57
				I-U-1	2		JIC-D42874	27.26
				I-U-1	2		JIC-D42876	32.24
BACKHOE DIPPER EXT		2pc		N-N-9		3-1/2	JIC-G33237	43.70
		2pc		N-N-9		4	JIC-G33239	47.66
		2pc		P-UB-9	1-1/2	3	JIC-G105512	86.99
		2pc		P-UB-9	1-3/4	3-1/2	JIC-G105529	69.68
		2pc		P-UB-10	1-1/2	3	JIC-G105548	65.14
		2pc		I-U-1	1-3/4		JIC-D42873	35.04
		2pc		N-N-9		3-1/2	JIC-G33237	43.70
BACKHOE STABILIZER		1pc		P-UB-10	2	4	JIC-1543273C1	107.21
		2pc		P-UB-9	1-3/4	3-1/2	JIC-G105529	69.68
		2pc		P-U-9	1-3/4	3-1/2	JIC-G105518	74.31
		2pc		P-UB-9	2	4	JIC-G105517	91.69
		2pc		P-UB-9	1-3/4	3	JIC-G105524	95.86
				I-U-1	1-3/4		JIC-D42872	25.58
				I-U-1	1-1/2		JIC-D42870	34.14
				I-U-1	1-3/4		JIC-D42873	35.04
		2pc		N-N-9		3-1/2	JIC-G33237	43.70
		2pc		N-N-9		3	JIC-G33151	39.48
BACKHOE SWING		1pc		P-UB-10	1-1/2	3-1/2	JIC-G105555	61.29
		2pc		P-UB-9	2	4	JIC-G105517	91.69
		2pc		P-U-9	1-1/2	3-1/2	JIC-G34652	65.37
		2pc		P-UB-9	1-3/4	4	JIC-G105519	83.00
		1pc		P-UB-10	2	4	JIC-1543273C1	107.21
				I-U-1	1-1/2		JIC-D47896	27.55
				I-U-1	1-3/4		JIC-D42875	27.12
		2pc		N-N-9		4	JIC-G33239	47.66
DOZER ANGLING (Angle Dozer)		2pc		N-N-9		3-1/2	JIC-G33237	43.70
		2pc		I-U-9	1-1/2	2	JIC-D37361	126.31
DOZER ANGLING (Angle Tilt Dozer)		2pc		P-UB-9	1-1/2	2	JIC-G105503	119.05
		2pc		P-UB-9	2	4	JIC-G105526	91.58
		1pc		P-UB-10	2	4	JIC-1543273C1	107.21
DOZER LIFT				I-U-1	2		JIC-D42876	32.24
		2pc		N-N-9		4	JIC-G33239	47.66
		1pc		P-UB-10	1-1/4	2-1/2	JIC-G105551	55.40
		2pc		P-U-9	1-1/4	2-1/2	JIC-G32295	75.31
DOZER TILT				I-U-1	1-1/4		JIC-D42867	31.89
		2pc		N-N-9		2-1/2	JIC-G33193	38.51
		1pc		P-UB-10	2	3-1/2	JIC-G105546	78.28
	2pc		P-U-9	2	3-1/2	JIC-G34648	80.90	

CASE

CASE

Replacement Kits For

Crawler Dozers/Loaders								
APPLICATION	CYL #	Piston	SERIAL #	CODE	ROD	BORE	KIT #	List \$
MODEL 450 with Backhoe Models 26, 26B, 26C, 26S, 32, 33, 35								
DOZER TILT		2pc		P-UB-9	2	3-1/2	JIC-G105521	76.31
				I-U-1	2		JIC-D42874	27.26
		2pc		N-N-9		3-1/2	JIC-G33237	43.70
LOADER CLAM		1pc		P-UB-10	1-1/2	3	JIC-G105548	65.14
		2pc		P-UB-9	1-1/2	3	JIC-G105512	86.99
				I-U-1	1-1/2		JIC-D42870	34.14
		2pc		N-N-9		3	JIC-G33151	39.48
LOADER HYDRA-LEVELING		1pc		P-UB-10	1-3/4	3	JIC-G105549	82.89
		2pc		P-UB-9	1-3/4	3	JIC-G105524	95.86
				I-U-1	1-3/4		JIC-D42872	25.58
		2pc		N-N-9		3	JIC-G33151	39.48
LOADER LIFT		2pc		P-UB-9	2	3-1/2	JIC-G105521	76.31
		2pc		P-U-9	2	3-1/2	JIC-G34648	80.90
		1pc		P-UB-10	2	3-1/2	JIC-G105546	78.28
				I-U-1	2		JIC-D42874	27.26
		2pc		N-N-9		3-1/2	JIC-G33237	43.70
LOADER TILT		2pc		P-U-9	1-3/4	3	JIC-G34643	76.59
		1pc		P-UB-10	1-3/4	3	JIC-G105549	82.89
		2pc		P-UB-9	1-3/4	3	JIC-G105524	95.86
				I-U-1	1-3/4		JIC-D42872	25.58
		2pc		N-N-9		3	JIC-G33151	39.48
RIPPER		1pc		P-UB-10	1-1/2	3	JIC-G105548	65.14
		2pc		P-UB-9	1-1/2	3	JIC-G105512	86.99
				I-U-1	1-1/2		JIC-D42870	34.14
		2pc		N-N-9		3-1/2	JIC-G33237	43.70
MODEL 550E								
ANGLE	140146A1			P-UB-10	2	4	JIC-1543273C1	107.21
LIFT	1542565C1			P-UB-10	1-1/2	2-1/2	JIC-1542764C2	85.84
RIPPER	G101230			P-UB-10	1-1/2	3	JIC-1543252C1	70.43
TILT	1542717C1			P-UB-10	1-1/2	3	JIC-1543256C1	66.32
MODEL 550G								
ANGLE	140146A1			P-UB-10	2	4	JIC-1543273C1	107.21
LIFT	1542565C1			P-UB-10	1-1/2	2-1/2	JIC-1542764C2	85.84
RIPPER	G101230			P-UB-10	1-1/2	3	JIC-1543252C1	70.43
TILT	1542717C1			P-UB-10	1-1/2	3	JIC-1543256C1	66.32
MODEL 550H								
ANGLE	307662A1		12/99-	P-UB-10	1-3/4	3	JIC-310478A1	98.12
LIFT	307112A1		12/99-	P-UB-10	1-3/4	3	JIC-1543267C1	81.96
RIPPER	G101230		12/99-	P-UB-10	1-1/2	3	JIC-1543252C1	70.43
TILT	347202A1		12/99-	P-UB-10	1-3/4	3-1/2	JIC-1543266C1	83.50
MODEL 650G								
ANGLE	116969A1			P-UB-10	1-3/4	3-1/2	JIC-1543266C1	83.50
	190595A1			P-UB-10	1-3/4	3-1/2	JIC-1543266C1	83.50
	190595A2			P-UB-10	1-3/4	3-1/2	JIC-250741A1	107.14
LIFT	116211A1			P-UB-10	1-3/4	3-1/2	JIC-1543266C1	83.50
RIPPER	G101214			P-UB-10	1-3/4	3-1/4	JIC-1543265C1	83.86
	G101215			P-UB-10	1-3/4	3-1/4	JIC-1543265C1	83.86
TILT	117511A1			P-UB-10	1-3/4	3-1/2	JIC-1543266C1	83.50
MODEL 650K								
ANGLE	412359A1		11/02-	P-UB-10	1-3/4	3-1/2	JIC-250741A1	107.14
LIFT	417854A1		11/02-	P-UB-10	1-3/4	3-1/2	JIC-1543266C1	83.50
RIPPER LH	86994131		11/02-	N-UB-1	1-3/4		JIC-1542875C1	29.46
RIPPER RH	86994129		11/02-	P-UB-10	1-3/4	3-1/2	JIC-1543266C1	83.50
TILT	412357A1		11/02-	P-UB-10	1-3/4	3-1/2	JIC-1543266C1	83.50

CASE

CASE

Replacement Kits For

Crawler Dozers/Loaders								
APPLICATION	CYL #	Piston	SERIAL #	CODE	ROD	BORE	KIT #	List \$
MODEL 750 with Backhoe Models 32, 33S, 34								
BACKHOE BOOM		2pc		P-U-9	2	4	JIC-G32299	86.57
		2pc		P-UB-9	2-1/4	4-1/2	JIC-G105520	147.24
				I-U-1	2		JIC-D42876	32.24
				P-U-1	2-1/4		JIC-D42878	31.12
		2pc		N-N-9		4-1/2	JIC-DTVS4.5P	87.17
BACKHOE BUCKET		2pc		N-N-9		4	JIC-G33239	47.66
		2pc		P-U-9	2	3-1/2	JIC-G32293	67.16
				I-U-1	2-1/4		JIC-D42877	25.34
				I-U-1	1-3/4		JIC-D42873	35.04
				I-U-1	2		JIC-D42874	27.26
BACKHOE DIPPER		2pc		N-N-9		3-1/2	JIC-G33237	43.70
		2pc		N-N-9		4	JIC-G33239	47.66
		2pc		P-U-9	2	4	JIC-G32299	86.57
				P-U-1	2-1/4		JIC-D42878	31.12
				I-U-1	2		JIC-D42876	32.24
BACKHOE STABILIZER		2pc		N-N-9		4	JIC-G33239	47.66
		2pc		N-N-9		4-1/2	JIC-DTVS4.5P	87.17
		2pc		P-UB-9	1-3/4	3-1/2	JIC-G105529	69.68
				I-U-1	1-3/4		JIC-D42873	35.04
		2pc		N-N-9		3-1/2	JIC-G33237	43.70
BACKHOE SWING		2pc		P-UB-9	1-3/4	4	JIC-G105519	83.00
				I-U-1	1-3/4		JIC-D42875	27.12
		2pc		N-N-9		4	JIC-G33239	47.66
DOZER ANGLE		2pc		I-U-9	1-1/2	2-1/2	JIC-D37360	74.46
DOZER TILT				I-U-1	1-3/4		JIC-D42873	35.04
		2pc		N-N-9		3-1/2	JIC-G33237	43.70
LOADER LIFT				I-U-1	1-1/2		JIC-D42870	34.14
		2pc		N-N-9		3	JIC-G33151	39.48
LOADER TILT				I-U-1	2		JIC-D42876	32.24
		2pc		N-N-9		4	JIC-G33239	47.66
RIPPER				I-U-1	1-3/4		JIC-D42873	35.04
		2pc		N-N-9		3-1/2	JIC-G33237	43.70
MODEL 750H								
ANGLE	190595A1			P-UB-10	1-3/4	3-1/2	JIC-1543266C1	83.50
	190595A2			P-UB-10	1-3/4	3-1/2	JIC-250741A1	107.14
LIFT	116211A2			P-UB-10	1-3/4	3-1/2	JIC-1543266C1	83.50
RIPPER	G101214			P-UB-10	1-3/4	3-1/4	JIC-1543265C1	83.86
	G101215			P-UB-10	1-3/4	3-1/4	JIC-1543265C1	83.86
TILT	117511A2			P-UB-10	1-3/4	3-1/2	JIC-1543266C1	83.50
MODEL 850 with Backhoe Models 34, 35, 36								
BACKHOE BOOM		2pc		P-UB-8	1-3/4	3-1/4	JIC-G105528	79.76
		2pc		P-U-9	2-1/4	5	JIC-G32696	125.50
		1pc		P-UB-10	1-3/4	3-1/4	JIC-G105547	74.88
				P-U-1	2-1/4		JIC-D42878	31.12
		2pc		N-N-9		4-1/2	JIC-DTVS4.5P	87.17
BACKHOE BUCKET		1pc		P-UB-10	2	3-1/2	JIC-G105546	78.28
		2pc		P-UB-9	2	3-1/2	JIC-G105527	87.50
		2pc		P-U-9	2-1/4	4	JIC-G34636	99.92
				I-U-1	2-1/4		JIC-D42877	25.34
		2pc		N-N-9		4	JIC-G33239	47.66
BACKHOE DIPPER		2pc		P-UB-9	2-1/4	4-1/2	JIC-G105520	147.24
		2pc		P-UB-9	2-1/2	4-1/2	JIC-G105513	151.85
		2pc		P-UB-9	2	4	JIC-G105517	91.69
		1pc		P-UB-10	2	4	JIC-1543273C1	107.21
				P-U-1	2-1/4		JIC-D42878	31.12

CASE

Replacement Kits For

CASE

Crawler Dozers/Loaders								
APPLICATION	CYL #	Piston	SERIAL #	CODE	ROD	BORE	KIT #	List \$
MODEL 850 with Backhoe Models 34, 35, 36								
BACKHOE DIPPER		2pc		N-N-9		4-1/2	JIC-DTVS4.5P	87.17
BACKHOE DIPPER EXT		2pc		P-UB-9	1-1/2	3	JIC-G105512	86.99
		1pc		P-UB-10	1-1/2	3	JIC-G105548	65.14
BACKHOE STABILIZER		1pc		P-UB-10	2	4	JIC-1543273C1	107.21
		2pc		P-U-9	2	4	JIC-G32299	86.57
		2pc		P-UB-9	2	4	JIC-G105517	91.69
				I-U-1	2		JIC-D42876	32.24
		2pc		N-N-9		4	JIC-G33239	47.66
BACKHOE SWING		1pc		P-UB-10	2	4	JIC-1543273C1	107.21
		2pc		P-U-9	2	4-1/2	JIC-G32695	126.28
		2pc		P-UB-9	2	4-1/2	JIC-G105525	122.63
		2pc		P-UB-9	2	4	JIC-G105517	91.69
				I-U-1	1-3/4		JIC-D42875	27.12
		2pc		N-N-9		4	JIC-G33239	47.66
DOZER ANGLING		2pc		P-UB-9	1-1/2	2-1/2	JIC-G105505	58.93
		2pc		I-U-9	1-1/2	2-1/2	JIC-D37360	74.46
DOZER LIFT		2pc		P-UB-9	1-1/2	3	JIC-G105512	86.99
				I-U-1	1-1/2		JIC-D42870	34.14
		2pc		N-N-9		3	JIC-G33151	39.48
DOZER TILT		2pc		P-U-9	1-3/4	3-1/2	JIC-G105518	74.31
				I-U-1	1-3/4		JIC-D42873	35.04
		2pc		N-N-9		3-1/2	JIC-G33237	43.70
DOZER TILT & PITCH		2pc		P-UB-9	2	3-1/2	JIC-G105521	76.31
LOADER CLAM		2pc		P-U-9	2	4	JIC-G32299	86.57
LOADER HYDRA-LEVELING		2pc		P-U-9	2	4	JIC-G32299	86.57
				P-UB-9	2	4	JIC-G105517	91.69
				I-U-1	2		JIC-D42876	32.24
		2pc		N-N-9		4	JIC-G33239	47.66
LOADER LIFT				P-UB-9	2-1/4	4-1/2	JIC-G105520	147.24
				P-U-1	2-1/4		JIC-D42878	31.12
		2pc		N-N-9		4-1/2	JIC-DTVS4.5P	87.17
LOADER TILT		2pc		P-U-9	1-3/4	3-1/2	JIC-G32228	66.32
		2pc		P-U-9	1-3/4	3-1/2	JIC-G105508	80.87
				I-U-1	1-3/4		JIC-D42873	35.04
		2pc		N-N-9		3-1/2	JIC-G33237	43.70
RIPPER		2pc		P-U-9	1-3/4	4	JIC-G34626	89.90
				I-U-1	1-3/4		JIC-D42875	27.12
		2pc		N-N-9		4	JIC-G33239	47.66
MODEL 850B with Backhoe Model 35								
BACKHOE BOOM		2pc		P-UB-8	1-3/4	3-1/4	JIC-G105528	79.76
		1pc		P-UB-10	1-3/4	3-1/4	JIC-G105547	74.88
BACKHOE BUCKET		1pc		P-UB-10	2	3-1/2	JIC-G105546	78.28
		2pc		P-UB-9	2	3-1/2	JIC-G105527	87.50
BACKHOE DIPPER		2pc		P-UB-9	2	4	JIC-G105517	91.69
		1pc		P-UB-10	2	4	JIC-1543273C1	107.21
BACKHOE DIPPER EXT		2pc		P-UB-9	1-1/2	3	JIC-G105512	86.99
BACKHOE STABILIZER		1pc		P-UB-10	1-1/2	3	JIC-G105548	65.14
		2pc		P-UB-9	2	4	JIC-G105517	91.69
BACKHOE SWING		1pc		P-UB-10	2	4	JIC-1543273C1	107.21
		2pc		P-UB-9	2	4	JIC-G105517	91.69
DOZER ANGLE		1pc		P-UB-10	2	4	JIC-1543273C1	107.21
DOZER LIFT		2pc		P-UB-9	2	4-1/2	JIC-G105525	122.63
DOZER TILT		1pc		P-UB-10	1-3/4	3	JIC-G105549	82.89
		1pc		P-UB-10	1-1/2	3	JIC-G105548	65.14
DOZER TILT		1pc		P-UB-10	2	4	JIC-1543273C1	107.21

CASE

CASE

Replacement Kits For

Crawler Dozers/Loaders								
APPLICATION	CYL #	Piston	SERIAL #	CODE	ROD	BORE	KIT #	List \$
MODEL 850B with Backhoe Model 35								
DOZER TILT		1pc		P-UB-10	1-3/4	4	JIC-G105552	78.03
LOADER CLAM		1pc		P-UB-10	2	3-1/2	JIC-G105546	78.28
LOADER LIFT		1pc		P-UB-10	2	4	JIC-1543273C1	107.21
LOADER TILT		1pc		P-UB-10	2	3-1/2	JIC-G105546	78.28
RIPPER		1pc		P-UB-10	1-3/4	3-1/4	JIC-G105547	74.88
MODEL 850E, 855E								
DOZER ANGLE	1542644C1			P-UB-10	2	4	JIC-1543273C1	107.21
	G103467			P-UB-9	2	4-1/2	JIC-1543270C1	155.47
DOZER LIFT	G101217			P-UB-10	1-1/2	3	JIC-1543252C1	70.43
DOZER TILT	G109485			P-UB-10	2	4	JIC-1543273C1	107.21
LOADER BUCKET	G101210			P-UB-10	2	3-1/2	JIC-1543274C1	109.49
LOADER CLAM	G101211			P-UB-10	2	3-1/2	JIC-1543274C1	109.49
LOADER LIFT L/H	G101213			P-UB-10	2	4	JIC-1543273C1	107.21
LOADER LIFT R/H	G101212			P-UB-10	2	4	JIC-1543273C1	107.21
RIPPER L/H	G101215			P-UB-10	1-3/4	3-1/4	JIC-1543265C1	83.86
RIPPER R/H	G101214			P-UB-10	1-3/4	3-1/4	JIC-1543265C1	83.86
MODEL 850G								
ANGLE	116969A1			P-UB-10	1-3/4	3-1/2	JIC-1543266C1	83.50
	190595A1			P-UB-10	1-3/4	3-1/2	JIC-1543266C1	83.50
LIFT	116211A1			P-UB-10	1-3/4	3-1/2	JIC-1543266C1	83.50
RIPPER L/H	G101215			P-UB-10	1-3/4	3-1/4	JIC-1543265C1	83.86
RIPPER R/H	G101214			P-UB-10	1-3/4	3-1/4	JIC-1543265C1	83.86
TILT	117511A1			P-UB-10	1-3/4	3-1/2	JIC-1543266C1	83.50
MODEL 850H								
ANGLE	190595A2			P-UB-10	1-3/4	3-1/2	JIC-250741A1	107.14
LIFT	116211A2			P-UB-10	1-3/4	3-1/2	JIC-1543266C1	83.50
RIPPER LH	G101215			P-UB-10	1-3/4	3-1/4	JIC-1543265C1	83.86
RIPPER RH	G101214			P-UB-10	1-3/4	3-1/4	JIC-1543265C1	83.86
TILT	117511A2			P-UB-10	1-3/4	3-1/2	JIC-1543266C1	83.50
MODEL 850K								
ANGLE	412359A1		11/02-	P-UB-10	1-3/4	3-1/2	JIC-250741A1	107.14
LIFT	417854A1		11/02-	P-UB-10	1-3/4	3-1/2	JIC-1543266C1	83.50
RIPPER LH	86994131		11/02-	P-UB-10	1-3/4	3-1/4	JIC-1543265C1	83.86
RIPPER RH	86994129		11/02-	P-UB-10	1-3/4	3-1/4	JIC-1543265C1	83.86
TILT	412357A1		11/02-	P-UB-10	1-3/4	3-1/2	JIC-1543266C1	83.50
MODEL 1150G								
ANGLE	G110702			P-UB-10	2-1/2	5	JIC-84154316	100.04
LIFT	G109819			P-UB-10	1-3/4	3-1/4	JIC-1543265C1	83.86
RIPPER	G101272			P-UB-10	2	4	JIC-1543273C1	107.21
	G101273			P-UB-10	2	4	JIC-1543273C1	107.21
TILT	G110694			P-UB-10	2-1/2	5	JIC-84154316	100.04
MODEL 1150H								
ANGLE	G110702			P-UB-10	2-1/2	5	JIC-84154316	100.04
LIFT	G109819			P-UB-10	1-3/4	3-1/4	JIC-1543265C1	83.86
RIPPER LH	G101273			P-UB-10	2	4	JIC-1543273C1	107.21
RIPPER RH	G101272			P-UB-10	2	4	JIC-1543273C1	107.21
TILT	G110694			P-UB-10	2-1/2	5	JIC-1542879C1	103.74
Excavators								
APPLICATION	CYL #	Piston	SERIAL #	CODE	ROD	BORE	KIT #	List \$
MODEL 880								
ARM		2pc	6200000-6201114	P-UB-9	2-1/2	5-1/2	JIC-G105514	152.20
		2pc	6201115-	P-UB-9	2-3/4	5-1/2	JIC-G105566	245.68
BOOM		2pc	6200000-6201114	P-UB-9	2-1/2	5-1/2	JIC-G105514	152.20
		2pc	6201115-	P-UB-9	2-3/4	5-1/2	JIC-G105566	245.68
BUCKET		2pc		P-UB-9	2-1/2	5	JIC-G105515	129.22

CASE

CASE

Replacement Kits For

Excavators								
APPLICATION	CYL #	Piston	SERIAL #	CODE	ROD	BORE	KIT #	List \$
MODEL 880								
EXT BUCKET		2pc		P-UB-9	3	5	JIC-G105531	147.87
EXT DIPPER		1pc		P-UB-10	2-1/4	4	JIC-G105556	84.65
		2pc		P-U-9	2-1/4	4	JIC-G34636	99.92
MODEL 880B, 880C, 880D								
ARM		2pc		P-UB-9	2-3/4	5-1/2	JIC-G105566	245.68
BOOM		2pc		P-UB-9	2-3/4	5-1/2	JIC-G105566	245.68
BUCKET		2pc		P-UB-9	2-1/2	5	JIC-G109499	170.33
MODEL 880R								
ARM		2pc		P-UB-9	2-3/4	5-1/2	JIC-G105566	245.68
BOOM		2pc		P-UB-9	2-3/4	5-1/2	JIC-G105566	245.68
EXT BUCKET		2pc		P-UB-9	3	5	JIC-G105531	147.87
EXT DIPPER		2pc	-5352380	P-U-9	2-1/4	4	JIC-G34636	99.92
		1pc	5352381-	P-UB-10	2-1/4	4	JIC-G105556	84.65
MODEL 9010B								
ARM		1pc		P-UB-10	80 mm	115 mm	JIC-164494A1	466.27
BOOM		1pc		P-UB-10	75 mm	100 mm	JIC-164493A1	291.52
BUCKET		1pc		P-UB-10	70 mm	95 mm	JIC-162976A1	407.88
MODEL 9020B								
ARM		1pc		P-UB-10	90 mm	125 mm	JIC-161913A1	528.49
BOOM		1pc		P-UB-10	80 mm	115 mm	JIC-161912A1	442.50
BUCKET		1pc		P-UB-10	75 mm	105 mm	JIC-161914A1	464.57
MODEL 9030B								
ARM (Long Reach)		1pc		P-UB-10	105 mm	150 mm	JIC-160227A1	623.97
ARM (w/o long reach)		1pc		P-UB-10	100 mm	135 mm	JIC-160579A1	599.22
BOOM (w/ load option)		1pc		P-UB-10	85 mm	125 mm	JIC-164183A1	418.05
BOOM (w/o load option)		1pc		P-UB-10	85 mm	125 mm	JIC-160577A1	438.69
BUCKET (Long Reach)		1pc		P-UB-10	70 mm	95 mm	JIC-162976A1	407.88
BUCKET (w/o long reach)		1pc		P-UB-10	80 mm	120 mm	JIC-160581A1	390.15
MODEL 9040B								
ARM	151155A1			P-UB-10	110 mm	160 mm	JIC-156002A1	771.19
	159453A1			P-UB-10	105 mm	150 mm	JIC-160227A1	623.97
	162816			P-UB-10	105 mm	150 mm	JIC-160227A1	623.97
BOOM	159462A1			P-UB-10	90 mm	130 mm	JIC-LZ00533	483.14
	159463A1			P-UB-10	90 mm	130 mm	JIC-LZ00533	483.14
	162815A1			P-UB-10	90 mm	130 mm	JIC-LZ00533	483.14
BUCKET	159452A1			P-UB-10	90 mm	135 mm	JIC-160229A1	472.95
	160752A1			P-UB-10	70 mm	95 mm	JIC-LZ00522	407.88
MODEL CX130								
ARM	KNV1617			P-UB-10	80 mm	115 mm	JIC-LZ00449	181.28
	KNV1621			P-UB-10	80 mm	115 mm	JIC-LZ00449	181.28
BOOM LH	KNV1616			P-UB-10	70 mm	105 mm	JIC-LZ00448	199.23
	KNV1620			P-UB-10	70 mm	105 mm	JIC-LZ00448	199.23
BOOM RH	KNV1615			P-UB-10	70 mm	105 mm	JIC-LZ00448	199.23
	KNV1619			P-UB-10	70 mm	105 mm	JIC-LZ00448	199.23
BUCKET	KNV1618			P-UB-10	65 mm	95 mm	JIC-LZ00450	129.64
DOZER BLADE LH	168637A1			P-UB-10	70 mm	100 mm	JIC-LQU0245	216.23
DOZER BLADE RH	168636A1			P-UB-10	70 mm	100 mm	JIC-LQU0245	216.23
MODEL CX130C								
BLADE LH	LZ011490			P-U-10	70 mm	115 mm	JIC-LZ011480	307.93
BLADE LH (HBCV)	KMV18510			P-U-10	70 mm	115 mm	JIC-LZ011480	307.93
BLADE RH	LZ011530			P-U-10	70 mm	115 mm	JIC-LZ011480	307.93
BLADE RH (HBCV)	LZ011490			P-U-10	70 mm	115 mm	JIC-LZ011480	307.93
BOOM LH	KNV14340			P-UB-10	70 mm	105 mm	JIC-LZ010750	159.64
BOOM LH (HBCV)	KNV16270			P-UB-10	70 mm	105 mm	JIC-LZ010750	159.64
BOOM RH	KNV14330			P-UB-10	70 mm	105 mm	JIC-LZ010750	159.64
BOOM RH (HBCV)	KNV16250			P-UB-10	70 mm	105 mm	JIC-LZ010750	159.64

CASE

Replacement Kits For

Excavators								
APPLICATION	CYL #	Piston	SERIAL #	CODE	ROD	BORE	KIT #	List \$
MODEL CX130C								
BUCKET	KNV12541			P-UB-10	65 mm	95 mm	JIC-MMV80240	356.41
DIPPER	KNV14350			P-UB-10	80 mm	115 mm	JIC-MMV80210	293.35
DIPPER (HBCV)	KNV16290			P-UB-10	80 mm	115 mm	JIC-MMV80210	293.35
MODEL CX130D								
ARM	KNV14350			P-UB-10	80 mm	115 mm	JIC-MMV80210	293.35
	KNV16290			P-UB-10	80 mm	115 mm	JIC-MMV80210	293.35
BOOM LH	KNV14340			P-UB-10	70 mm	105 mm	JIC-LZ010750	159.64
BOOM RH	KNV14330			P-UB-10	70 mm	105 mm	JIC-LZ010750	159.64
BUCKET	KNV12541			P-UB-10	65 mm	95 mm	JIC-MMV80240	356.41
LIFT	KMV18480			P-U-10	70 mm	115 mm	JIC-LZ011480	307.93
	KMV18490			P-U-10	70 mm	115 mm	JIC-LZ011480	307.93
LIFT (w/Safety Valve)	KMV18510			P-U-10	70 mm	115 mm	JIC-LZ011480	307.93
	KMV18520			P-U-10	70 mm	115 mm	JIC-LZ011480	307.93
LIFT LH (w/Safety Valve)	KNV16270			P-UB-10	70 mm	105 mm	JIC-LZ010750	159.64
LIFT RH (w/Safety Valve)	KNV16250			P-UB-10	70 mm	105 mm	JIC-LZ010750	159.64
MODEL CX130D LC								
ARM	KNV14350			P-UB-10	80 mm	115 mm	JIC-MMV80210	293.35
	KNV16290			P-UB-10	80 mm	115 mm	JIC-MMV80210	293.35
BUCKET	KNV12541			P-UB-10	65 mm	95 mm	JIC-MMV80240	356.41
LIFT LH	KNV14340			P-UB-10	70 mm	105 mm	JIC-LZ010750	159.64
LIFT LH (w/Safety Valve)	KNV16270			P-UB-10	70 mm	105 mm	JIC-LZ010750	159.64
LIFT RH	KNV14330			P-UB-10	70 mm	105 mm	JIC-LZ010750	159.64
LIFT RH (w/Safety Valve)	KNV16250			P-UB-10	70 mm	105 mm	JIC-LZ010750	159.64
MODEL CX135SR								
ARM (w/ Load Hold)	KMV2548		08/02-	P-UB-10	80 mm	115 mm	JIC-LZ00449	181.28
ARM (w/o Load Hold)	KNV1617		08/02-	P-UB-10	80 mm	115 mm	JIC-LZ00449	181.28
BOOM LH (w/ Load Hold)	KMV2547		08/02-	P-UB-10	75 mm	105 mm	JIC-LZ00453	188.29
BOOM LH (w/o Load Hold)	KMV2543		08/02-	P-UB-10	75 mm	105 mm	JIC-LZ00453	188.29
BOOM RH (w/ Load Hold)	KMV2546		08/02-	P-UB-10	75 mm	105 mm	JIC-LZ00453	188.29
BOOM RH (w/o Load Hold)	KMV2542		08/02-	P-UB-10	75 mm	105 mm	JIC-LZ00453	188.29
BUCKET	KMV2545		08/02-	P-UB-10	65 mm	95 mm	JIC-LZ00450	129.64
DOZER BLADE LH (w/ Load Hold)	KMV2554		08/02-	P-UB-10	70 mm	110 mm	JIC-LZ00457	122.36
DOZER BLADE LH (w/o Load Hold)	KMV2368		08/02-	P-UB-10	70 mm	110 mm	JIC-LZ00457	122.36
DOZER BLADE RH (w/ Load Hold)	KMV2553		08/02-	P-UB-10	70 mm	110 mm	JIC-LZ00457	122.36
DOZER BLADE RH (w/o Load Hold)	KMV2367		08/02-	P-UB-10	70 mm	110 mm	JIC-LZ00457	122.36
OFFSET ARM	KMV2551		08/02-	P-UB-10	75 mm	105 mm	JIC-LZ00455	233.95
OFFSET BOOM	KMV2552		08/02-	P-UB-10	65 mm	120 mm	JIC-LZ00456	115.80
MODEL CX145C SR								
BLADE LH	LZ011490			P-U-10	70 mm	115 mm	JIC-LZ011480	307.93
BLADE RH	LZ011530			P-U-10	70 mm	115 mm	JIC-LZ011480	307.93
BLADE RH (HBCV)	LZ011490			P-U-10	70 mm	115 mm	JIC-LZ011480	307.93
BOOM (LH w/Safety Valve)	KMV17880			P-UB-10	75 mm	105 mm	JIC-MMV80220	140.58
BOOM (LH)	KMV17920			P-UB-10	75 mm	105 mm	JIC-MMV80220	140.58
BOOM (RH w/Safety Valve)	KMV17860			P-UB-10	75 mm	105 mm	JIC-MMV80220	140.58
BOOM (RH)	KMV17900			P-UB-10	75 mm	105 mm	JIC-MMV80220	140.58
BUCKET	KNV12541			P-UB-10	65 mm	95 mm	JIC-MMV80240	356.41
DIPPER				P-UB-10	80 mm	115 mm	JIC-MMV80210	293.35
DIPPER (HBCV)				P-UB-10	80 mm	115 mm	JIC-MMV80210	293.35
MODEL CX160								
ARM (w/o Load Hold)	KLV0308			P-UB-10	90 mm	125 mm	JIC-LZ00452	308.89
ARM(w/ Load Hold)	KLV0353			P-UB-10	90 mm	125 mm	JIC-LZ00452	308.89
BOOM LH (w/ Load Hold)	KLV0352			I-UB-10	80 mm	115 mm	JIC-LZ00451	188.36

CASE

Replacement Kits For

Excavators								
APPLICATION	CYL #	Piston	SERIAL #	CODE	ROD	BORE	KIT #	List \$
MODEL CX160								
BOOM LH (w/o Load Hold)	KLV0306			I-UB-10	80 mm	115 mm	JIC-LZ00451	188.36
BOOM RH (w/ Load Hold)	KLV0351			I-UB-10	80 mm	115 mm	JIC-LZ00451	188.36
BOOM RH (w/o Load Hold)	KLV0307			I-UB-10	80 mm	115 mm	JIC-LZ00451	188.36
BUCKET	KLV0309			P-UB-10	75 mm	105 mm	JIC-LZ00453	188.29
MODEL CX160B								
ARM	KLV11040			P-UB-10	90 mm	125 mm	JIC-LZ011000-D	233.51
BOOM LH	KLV10980			P-UB-10	80 mm	115 mm	JIC-LZ010870	189.41
BOOM RH	KLV10960			P-UB-10	80 mm	115 mm	JIC-LZ010870	189.41
BUCKET	KLV11081			P-UB-10	75 mm	105 mm	JIC-LZ010810	200.06
MODEL CX160C								
BOOM (LH)	KLV10980		35.736.AA [01]	P-UB-10	80 mm	115 mm	JIC-LZ010870	189.41
	KLV10980		35.964.21	P-UB-10	80 mm	115 mm	JIC-LZ010870	189.41
	KLV11020		35.736.AA [03]	P-UB-10	80 mm	115 mm	JIC-LZ010870	189.41
	KLV11020		35.964.23	P-UB-10	80 mm	115 mm	JIC-LZ010870	189.41
BOOM (RH)	KLV10960		35.736.AA [02]	P-UB-10	80 mm	115 mm	JIC-LZ010870	189.41
	KLV10960		35.964.20	P-UB-10	80 mm	115 mm	JIC-LZ010870	189.41
	KLV11000		35.736.AA [04]	P-UB-10	80 mm	115 mm	JIC-LZ010870	189.41
	KLV11000		35.964.22	P-UB-10	80 mm	115 mm	JIC-LZ010870	189.41
BUCKET	KLV11081		35.738.AA	P-UB-10	75 mm	105 mm	JIC-LZ008210	200.06
	KLV11081		35.964.30	P-UB-10	75 mm	105 mm	JIC-LZ008210	200.06
DIPPER	KLV11040		35.737.AA [01]	P-UB-10	90 mm	125 mm	JIC-LZ008180	233.51
	KLV11060		35.737.AA [02]	P-UB-10	90 mm	125 mm	JIC-LZ008180	233.51
MODEL CX160D LC								
ARM	KLV11040			P-UB-10	90 mm	125 mm	JIC-MMV80200	185.07
	KLV11060			P-UB-10	90 mm	125 mm	JIC-MMV80200	185.07
BUCKET	KLV11081			P-UB-10	75 mm	105 mm	JIC-LZ010810	200.06
	KLV11081			P-UB-10	75 mm	105 mm	JIC-LZ010810	200.06
	KLV11081			P-UB-10	75 mm	105 mm	JIC-LZ010810	200.06
LIFT LH	KLV10980			P-UB-10	80 mm	115 mm	JIC-LZ010870	189.41
LIFT LH (w/Safety Valve)	KLV11020			P-UB-10	80 mm	115 mm	JIC-LZ010870	189.41
LIFT RH	KLV10960			P-UB-10	80 mm	115 mm	JIC-LZ010870	189.41
LIFT RH (w/Safety Valve)	KLV11000			P-UB-10	80 mm	115 mm	JIC-LZ010870	189.41
MODEL CX210								
ARM (w/ Load Hold)	KRV3239			P-UB-10	95 mm	135 mm	JIC-LZ00446	192.97
ARM (w/o Load Hold)	KRV3236			P-UB-10	95 mm	135 mm	JIC-LZ00446	192.97
BOOM (w/ Load Hold)	KRV18920			P-UB-10	85 mm	120 mm	JIC-LZ00445	224.28
BOOM LH	KRV18910			P-UB-10	85 mm	120 mm	JIC-LZ00445	224.28
BOOM RH	KRV18900			P-UB-10	85 mm	120 mm	JIC-LZ00445	224.28
BUCKET	KRV3237			P-UB-10	80 mm	115 mm	JIC-LZ00447	154.83
MODEL CX210B								
ARM	KRV19600			P-UB-10	100 mm	140 mm	JIC-LZ011200	255.79
BOOM LH	KRV19540			P-UB-10	85 mm	120 mm	JIC-LZ010930	197.17
BOOM RH	KRV19520			P-UB-10	85 mm	120 mm	JIC-LZ010930	197.17
BUCKET	KRV19640			P-UB-10	85 mm	120 mm	JIC-LZ010940	189.48
MODEL CX210C								
ARM	KRV19600			P-UB-10	100 mm	140 mm	JIC-LZ011200	255.79
BOOM LH	KRV19540			P-UB-10	85 mm	120 mm	JIC-LZ010930	197.17
BOOM RH	KRV19520			P-UB-10	85 mm	120 mm	JIC-LZ010930	197.17
BUCKET	KNV12541			P-UB-10	65 mm	95 mm	JIC-LZ010710-D	172.87
MODEL CX210C LC								
BOOM LH (w/o Safety Valve)	KRV32991			P-UB-10	85 mm	120 mm	JIC-LZ010930	197.17
BOOM LH (w/Safety Valve)	KRV33031			P-UB-10	85 mm	120 mm	JIC-LZ010930	197.17
BOOM RH (w/o Safety Valve)	KRV32981			P-UB-10	85 mm	120 mm	JIC-LZ010930	197.17
BOOM RH (w/Safety Valve)	KRV33021			P-UB-10	85 mm	120 mm	JIC-LZ010930	197.17
BUCKET	KRV33010			P-UB-10	85 mm	120 mm	JIC-LZ010940	189.48

CASE

CASE

Replacement Kits For

Excavators								
APPLICATION	CYL #	Piston	SERIAL #	CODE	ROD	BORE	KIT #	List \$
MODEL CX210C LC								
DIPPER (w/o Safety Valve)	KRV33000			P-UB-10	100 mm	140 mm	JIC-LZ011200	255.79
MODEL CX210C LR								
BOOM LH (w/o Safety Valve)	KRV32991			P-UB-10	85 mm	120 mm	JIC-LZ010930	197.17
BOOM RH (w/o Safety Valve)	KRV32981			P-UB-10	85 mm	120 mm	JIC-LZ010930	197.17
BUCKET	KNV12541			P-UB-10	65 mm	95 mm	JIC-LZ008750	172.87
MODEL CX210C NLC								
BOOM LH (w/o Safety Valve)	KRV32991			P-UB-10	85 mm	120 mm	JIC-LZ010930	197.17
BOOM LH (w/Safety Valve)	KRV33031			P-UB-10	85 mm	120 mm	JIC-LZ010930	197.17
BOOM RH (w/o Safety Valve)	KRV32981			P-UB-10	85 mm	120 mm	JIC-LZ010930	197.17
BOOM RH (w/Safety Valve)	KRV33021			P-UB-10	85 mm	120 mm	JIC-LZ010930	197.17
BUCKET	KRV33010			P-UB-10	85 mm	120 mm	JIC-LZ010940	189.48
DIPPER (w/o Safety Valve)	KRV33000			P-UB-10	100 mm	140 mm	JIC-LZ011200	255.79
MODEL CX210D LC								
ARM	KRV43060			P-UB-10	100 mm	140 mm	JIC-LZ011200	255.79
ARM (w/Safety Valve)	KRV43100			P-UB-10	100 mm	140 mm	JIC-LZ011200	255.79
BOOM LIFT LH	KRV32991			P-UB-10	85 mm	120 mm	JIC-LZ010930	197.17
BOOM LIFT RH	KRV32981			P-UB-10	85 mm	120 mm	JIC-LZ010930	197.17
BUCKET	KRV43120			P-UB-10	85 mm	120 mm	JIC-LZ010940	189.48
LIFT LH (w/Safety Valve)	KRV33031			P-UB-10	85 mm	120 mm	JIC-LZ010930	197.17
LIFT RH (w/Safety Valve)	KRV33021			P-UB-10	85 mm	120 mm	JIC-LZ010930	197.17
MODEL CX210D LC LR								
ARM	KRV24000			P-UB-10	105 mm	145 mm	JIC-LZ011260	252.13
ARM (w/Safety Valve)	KRV24010			P-UB-10	105 mm	145 mm	JIC-LZ011260	252.13
BOOM LIFT LH	KRV32991			P-UB-10	85 mm	120 mm	JIC-LZ010930	197.17
BOOM LIFT RH	KRV32981			P-UB-10	85 mm	120 mm	JIC-LZ010930	197.17
BUCKET	KNV12541			P-UB-10	65 mm	95 mm	JIC-MMV80240	356.41
LIFT LH (w/Safety Valve)	KRV33031			P-UB-10	85 mm	120 mm	JIC-LZ010930	197.17
LIFT RH (w/Safety Valve)	KRV33021			P-UB-10	85 mm	120 mm	JIC-LZ010930	197.17
MODEL CX210D NLC								
ARM	KRV43060			P-UB-10	100 mm	140 mm	JIC-LZ011200	255.79
ARM (w/Safety Valve)	KRV43100			P-UB-10	100 mm	140 mm	JIC-LZ011200	255.79
BOOM LIFT LH	KRV32991			P-UB-10	85 mm	120 mm	JIC-LZ010930	197.17
BOOM LIFT RH	KRV32981			P-UB-10	85 mm	120 mm	JIC-LZ010930	197.17
BUCKET	KRV43120			P-UB-10	85 mm	120 mm	JIC-LZ010940	189.48
LIFT LH (w/Safety Valve)	KRV33031			P-UB-10	85 mm	120 mm	JIC-LZ010930	197.17
LIFT RH (w/Safety Valve)	KRV33021			P-UB-10	85 mm	120 mm	JIC-LZ010930	197.17
MODEL CX240								
ARM (w/ Load Hold)	KBV1687			P-UB-10	105 mm	145 mm	JIC-LZ00443	231.28
ARM (w/o Load Hold)	KBV1789			P-UB-10	105 mm	145 mm	JIC-LZ00443	231.28
BOOM (w/ Load Hold)	KBV1686			P-UB-10	90 mm	125 mm	JIC-LZ00442	259.94
BOOM LH (w/o Load Hold)	KBV1788			P-UB-10	90 mm	125 mm	JIC-LZ00442	259.94
BOOM RH (w/o Load Hold)	KBV1787			P-UB-10	90 mm	125 mm	JIC-LZ00442	259.94
BUCKET	KBV1790			P-UB-10	90 mm	130 mm	JIC-LZ00444	250.50
MODEL CX250C								
BOOM LH (w/o Safety Valve)	KBV25230			P-UB-10	90 mm	130 mm	JIC-MMV80160	203.65
BOOM RH (w/o Safety Valve)	KBV25220			P-UB-10	90 mm	130 mm	JIC-MMV80160	203.65
BUCKET	KBV24080			P-UB-10	90 mm	130 mm	JIC-MMV80160	203.65
DIPPER (Long Reach)	KBV18420			P-UB-10	105 mm	150 mm	JIC-MMV80090	208.28
	KBV18440			P-UB-10	105 mm	150 mm	JIC-MMV80090	208.28
MODEL CX250D LC								
ARM	KBV34010			P-UB-10	105 mm	145 mm	JIC-LZ011260	252.13
ARM (w/Safety Valve)	KBV31130			P-UB-10	105 mm	145 mm	JIC-LZ011260	252.13
BOOM LIFT LH	KBV25230			P-UB-10	90 mm	130 mm	JIC-MMV80160	203.65
BOOM LIFT RH	KBV25220			P-UB-10	90 mm	130 mm	JIC-MMV80160	203.65
BOOM LIFT RH (w/Safety Valve)	KBV25240			P-UB-10	90 mm	130 mm	JIC-MMV80160	203.65

CASE

Replacement Kits For

CASE

Excavators								
APPLICATION	CYL #	Piston	SERIAL #	CODE	ROD	BORE	KIT #	List \$
MODEL CX250D LC								
BOOM LIFT RH (w/Safety Valve)	KBV25250			P-UB-10	90 mm	130 mm	JIC-MMV80160	203.65
BUCKET	KBV24080			P-UB-10	90 mm	130 mm	JIC-MMV80160	203.65
MODEL CX250D LC LR								
ARM	KBV18420			P-UB-10	105 mm	150 mm	JIC-LZ011310	404.88
ARM (w/Safety Valve)	KBV18440			P-UB-10	105 mm	150 mm	JIC-LZ011310	404.88
BOOM LIFT LH	KBV25230			P-UB-10	90 mm	130 mm	JIC-MMV80160	203.65
BOOM LIFT RH	KBV25220			P-UB-10	90 mm	130 mm	JIC-MMV80160	203.65
BOOM LIFT RH (w/Safety Valve)	KBV25240			P-UB-10	90 mm	130 mm	JIC-MMV80160	203.65
	KBV25250			P-UB-10	90 mm	130 mm	JIC-MMV80160	203.65
BUCKET	KNV12541			P-UB-10	65 mm	95 mm	JIC-MMV80240	356.41
MODEL CX330								
ARM (w/ Load Hold)	KSV1456			P-UB-10	120 mm	170 mm	JIC-LZ00478	578.83
ARM (w/o Load Hold)	KSV1395			P-UB-10	120 mm	170 mm	JIC-LZ00478	578.83
BOOM LH (w/ Load Hold)	KSV1455			P-UB-10	100 mm	145 mm	JIC-LZ00477	519.49
BOOM LH (w/o Load Hold)	KSV1394			P-UB-10	100 mm	145 mm	JIC-LZ00477	519.49
BOOM RH (w/ Load Hold)	KSV1454			P-UB-10	100 mm	145 mm	JIC-LZ00477	519.49
BOOM RH (w/o Load Hold)	KSV1393			P-UB-10	100 mm	145 mm	JIC-LZ00477	519.49
BUCKET	KSV1396			P-UB-10	105 mm	150 mm	JIC-LZ00476	704.28
MODEL CX350C								
BOOM LH (w/o Safety Valve)	KSV1926			P-UB-14	100 mm	145 mm	JIC-LZ007300	581.15
BOOM RH (w/o Safety Valve)	KSV1925			P-UB-14	100 mm	145 mm	JIC-LZ007300	581.15
BUCKET	KSV1928			P-UB-14	105 mm	150 mm	JIC-LZ007310	555.01
DIPPER (w/o Safety Valve)	KSV1927			P-UB-10	120 mm	170 mm	JIC-LZ007320	550.33
MODEL CX350D LC								
ARM	KSV25611			P-UB-10	120 mm	170 mm	JIC-LZ012100	689.87
ARM (w/Safety Valve)	KSV25691			P-UB-10	120 mm	170 mm	JIC-LZ012100	689.87
BOOM LIFT LH (Heavy Duty)	KSV29720			P-UB-10	100 mm	145 mm	JIC-LZ012090	474.05
BOOM LIFT RH (Heavy Duty)	KSV29710			P-UB-10	100 mm	145 mm	JIC-LZ012090	474.05
BUCKET	KSV25291			P-UB-10	105 mm	150 mm	JIC-LZ012110	575.01
LIFT LH (w/Safety Valve)	KSV29760			P-UB-10	100 mm	145 mm	JIC-LZ012090	474.05
LIFT RH (w/Safety Valve)	KSV29780			P-UB-10	100 mm	145 mm	JIC-LZ012090	474.05
Excavators - Compact								
APPLICATION	CYL #	Piston	SERIAL #	CODE	ROD	BORE	KIT #	List \$
MODEL CX27B								
BOOM	72282200		06/04-	P-U-10	40 mm	70 mm	JIC-72280471	148.68
	72282211		06/04-	P-U-10	40 mm	70 mm	JIC-72280471	148.68
	72286201		06/04-	P-U-10	40 mm	70 mm	JIC-72280471	148.68
BOOM (CAB)	72286211		N5GN01293 & AFTER 09/05-	P-U-10	40 mm	70 mm	JIC-72280471	148.68
	87601559		N5GN01293 & AFTER 09/05-	P-U-10	40 mm	70 mm	JIC-72280471	148.68
BOOM (CANOPY)	72286201		N5GN01293 & AFTER 09/05-	P-U-10	40 mm	70 mm	JIC-72280471	148.68
	87601559		N5GN01293 & AFTER 09/05-	P-U-10	40 mm	70 mm	JIC-72280471	148.68
BUCKET	72282216		06/04-	P-U-10	35 mm	60 mm	JIC-72282317	153.01
	72286208		06/04-	P-U-10	35 mm	60 mm	JIC-72282317	153.01
	7286208		N5GN01293 & AFTER 09/05-	P-U-10	35 mm	60 mm	JIC-72282317	153.01
	87618923		N5GN01293 & AFTER 09/05-	P-U-10	35 mm	60 mm	JIC-72282317	153.01
DIPPER	72281123		06/04-	P-U-10	40 mm	70 mm	JIC-72282209	148.68
	72286205		06/04-	P-U-10	40 mm	70 mm	JIC-72282209	148.68
	72286205		N5GN01293 & AFTER 09/05-	P-U-10	40 mm	70 mm	JIC-72280471	148.68

CASE

Replacement Kits For

CASE

Excavators - Compact								
APPLICATION	CYL #	Piston	SERIAL #	CODE	ROD	BORE	KIT #	List \$
MODEL CX27B								
DIPPER	87616282		N5GN01293 & AFTER 09/05-	P-U-10	40 mm	70 mm	JIC-72280471	148.68
DOZER	72281649		06/04-	P-U-10	45 mm	85 mm	JIC-72282324	169.33
	72286196		06/04-	P-U-10	45 mm	85 mm	JIC-72282324	169.33
	72286196		N5GN01293 & AFTER 09/05-	P-U-10	45 mm	85 mm	JIC-72282324	169.33
SWING	72281425		06/04-	P-U-10	45 mm	75 mm	JIC-72280241	103.60
	72285830		N5GN01293 & AFTER 09/05-	P-U-10	45 mm	75 mm	JIC-72280241	103.60
MODEL CX31								
BOOM	47043387		06/04-	P-U-10	45 mm	75 mm	JIC-5001747M91	90.34
BOOM OFFSET	47043386		06/04-	P-U-10	50 mm	80 mm	JIC-5001732M91	124.95
BUCKET	6011206M91		06/04-	P-U-10	35 mm	65 mm	JIC-5001763M91	140.53
DIPPER	6010810M91		06/04-	P-U-10	45 mm	75 mm	JIC-5001747M91	90.34
DOZER	4010814M91		06/04-	P-U-10	55 mm	95 mm	JIC-5001761M91	127.65
MODEL CX31B								
BOOM	72283931		06/04-	P-U-10	45 mm	80 mm	JIC-72280454	105.40
	72283936		06/04-	P-U-10	45 mm	80 mm	JIC-72280454	105.40
	72286375		06/04-	P-U-10	45 mm	80 mm	JIC-72280454	105.40
	72286378		06/04-	P-U-10	45 mm	80 mm	JIC-72280454	105.40
BOOM (CAB)			N5GN00812/AFTER 04/05-	P-U-10	45 mm	80 mm	JIC-72280454	105.40
BOOM (CANOPY)			N5GN00812/AFTER 04/05-	P-U-10	45 mm	80 mm	JIC-PX01V00045R300	105.40
BUCKET			N5GN00812/AFTER 04/05-	P-U-10	40 mm	65 mm	JIC-72280251	115.90
	72285850		06/04-	P-U-10	40 mm	65 mm	JIC-72280251	115.90
DIPPER			N5GN00812/AFTER 04/05-	P-U-10	45 mm	75 mm	JIC-72280241	103.60
	72283933		06/04-	P-U-10	45 mm	75 mm	JIC-72280241	103.60
DOZER			N5GN00812/AFTER 04/05-	P-U-10	50 mm	100 mm	JIC-72280261	112.45
	7228252		06/04-	P-U-10	50 mm	100 mm	JIC-72280261	112.45
	72286391		06/04-	P-U-10	50 mm	100 mm	JIC-72280261	112.45
SWING			N5GN00812/AFTER 04/05-	P-U-10	45 mm	80 mm	JIC-72280268	121.14
	72280262		06/04-	P-U-10	45 mm	80 mm	JIC-72280268	121.14
MODEL CX36								
ARM	PX01V00035F2		PX11-08901-	P-U-10	45 mm	80 mm	JIC-PW01V00048R300	113.59
BLADE	PX01V00033F1			P-U-10	45 mm	90 mm	JIC-PX01V00033R300	185.56
BOOM Cab	PX01V00031F2		PX11-08901-	P-U-10	50 mm	85 mm	JIC-PX01V00030R300	270.63
BOOM Canopy	PX01V00030F2		PX11-08901-	P-U-10	50 mm	85 mm	JIC-PX01V00030R300	270.63
BUCKET	PW01V00046F1			P-U-10	35 mm	65 mm	JIC-PW01V00046R300	154.80
DOZER BLADE	PX01V00033F1		PX11-08901-	P-U-10	45 mm	90 mm	JIC-PX01V00033R300	185.56
SWING	PW01V00050F2			P-U-10	45 mm	80 mm	JIC-PW01V00043R300	160.10
MODEL CX36B								
BOOM	72283941		06/04-	P-U-10	45 mm	80 mm	JIC-72280454	105.40
	72283945		06/04-	P-U-10	45 mm	80 mm	JIC-72280454	105.40
	72286381		06/04-	P-U-10	45 mm	80 mm	JIC-72280454	105.40
	72286384		06/04-	P-U-10	45 mm	80 mm	JIC-72280454	105.40
BOOM Cab	72286384		N5GN00813 & AFTER 04/05-	P-U-10	45 mm	80 mm	JIC-72280454	105.40

CASE

Replacement Kits For

CASE

Excavators - Compact								
APPLICATION	CYL #	Piston	SERIAL #	CODE	ROD	BORE	KIT #	List \$
MODEL CX36B								
BOOM Cab	87639742		N5GN00813 & AFTER 04/05-	P-U-10	45 mm	80 mm	JIC-72280454	105.40
	PX01V00065F1		PX13-15001-, N6TN61738- NA	P-U-10	45 mm	80 mm	JIC-PX01V00045R300	105.40
BOOM Canopy	72286381		N5GN00813 & AFTER 04/05-	P-U-10	45 mm	80 mm	JIC-PX01V00045R300	105.40
	87566885		N5GN00813 & AFTER 04/05-	P-U-10	45 mm	80 mm	JIC-PX01V00045R300	105.40
	PX01V00062F1		PX13-15001-, N6TN61738- NA	P-U-10	45 mm	80 mm	JIC-PX01V00045R300	105.40
BUCKET	72284518		06/04-	P-U-10	40 mm	65 mm	JIC-72280251	115.90
	72285850		06/04-	P-U-10	40 mm	65 mm	JIC-72280251	115.90
	72285850		N5GN00813 & AFTER 04/05-	P-U-10	40 mm	65 mm	JIC-72280251	115.90
	87573321		N5GN00813 & AFTER 04/05-	P-U-10	40 mm	65 mm	JIC-72280251	115.90
DIPPER	72283943		06/04-	P-U-10	45 mm	80 mm	JIC-72280268	121.14
	72286389		06/04-	P-U-10	45 mm	80 mm	JIC-72280268	121.14
	72286389		N5GN00813 & AFTER 04/05-	P-U-10	45 mm	80 mm	JIC-72280268	121.14
	87571903		N5GN00813 & AFTER 04/05-	P-U-10	45 mm	80 mm	JIC-72280268	121.14
DOZER	72280252		06/04-	P-U-10	50 mm	100 mm	JIC-72280261	112.45
	72286391		06/04-	P-U-10	50 mm	100 mm	JIC-72280261	112.45
	72286391		N5GN00813 & AFTER 04/05-	P-U-10	50 mm	100 mm	JIC-72280261	112.45
SWING	72280262		06/04-	P-U-10	45 mm	80 mm	JIC-72280268	121.14
	72286392		N5GN00813 & AFTER 04/05-	P-U-10	45 mm	80 mm	JIC-72280268	121.14
MODEL CX50B								
BOOM	72284784		05/04-	P-U-10	45 mm	100 mm	JIC-72284002	118.23
	72284787		05/04-	P-U-10	45 mm	100 mm	JIC-72284002	118.23
	87345193		05/04-	P-U-10	45 mm	100 mm	JIC-72284002	118.23
	87357788		05/04-	P-U-10	45 mm	100 mm	JIC-72284002	118.23
BOOM CAB	87579031		N5GN01157 & AFTER 06/05-	P-U-10	45 mm	100 mm	JIC-72284002	118.23
BOOM CANOPY	87579038		N5GN01157 & AFTER 06/05-	P-U-10	45 mm	100 mm	JIC-72284002	118.23
BUCKET	72284461		05/04-	P-U-10	45 mm	75 mm	JIC-72284000	84.40
	72284461		N5GN01157 & AFTER 06/05-	P-U-10	45 mm	75 mm	JIC-72284000	84.40
DIPPER			N5GN01157 & AFTER 06/05-	P-U-10	50 mm	90 mm	JIC-72283999	168.61
	72284790		05/04-	P-U-10	50 mm	90 mm	JIC-72283999	168.61
	87345185		05/04-	P-U-10	50 mm	90 mm	JIC-72283999	168.61
DOZER			N5GN01157 & AFTER 06/05-	P-U-10	55 mm	95 mm	JIC-72284189	143.60
	72284279		05/04-	P-U-10	55 mm	95 mm	JIC-72284189	143.60
SWING	72283412		N5GN01157 & AFTER 06/05-	P-U-10	50 mm	90 mm	JIC-72284207	137.27
	72283413		05/04-	P-U-10	50 mm	90 mm	JIC-72284207	137.27
MODEL CX55B								
ARM	PS01V00002F1			N-N-10		90 mm	JIC-PS01V00002R300	154.59
	PS01V00002F1			P-U-1	50 mm		JIC-PS01V00002R400	474.61
BOOM	PS01V00001F1			I-U-1	55 mm		JIC-PS01V00001R400	189.60

CASE

CASE

Replacement Kits For

Excavators - Compact								
APPLICATION	CYL #	Piston	SERIAL #	CODE	ROD	BORE	KIT #	List \$
MODEL CX55B								
BOOM	PS01V00001F1			N-N-10		100 mm	JIC-PS01V00001R300	178.85
BUCKET	PS01V00003F1			N-N-10		75 mm	JIC-PS01V00003R300	114.47
	PS01V00003F1			I-U-1	45 mm		JIC-PS01V00003R400	176.48
SWING	PS01V00004F1			N-N-10		90 mm	JIC-PS01V00004R300	160.02
	PS01V00004F1			P-U-1	50 mm		JIC-PS01V00004R400	419.46
MODEL CX55BMSR								
ANGLE DOZER	PY01V00035F2; PY01V00073F1		PS02-00101-; PS02-01794-	P-U-10	45 mm	90 mm	JIC-PH01V00006R100	331.23
ARM	PY01V00050F1			P-U-10	55 mm	90 mm	JIC-PY01V00050R300	252.35
BOOM	PY01V00054F1		PS02-00101-	P-U-10	55 mm	100 mm	JIC-PY01V00054R300	304.31
BUCKET	PY01V00051F1			P-U-10	45 mm	80 mm	JIC-PW01V00062R300	198.89
MODEL CX75SR								
ARM (Offset W/Load Hold)	KAV2439			P-UB-10	60 mm	95 mm	JIC-LZ00471	278.57
ARM (Offset W/O Load Hold)	KAV2438			P-UB-10	60 mm	95 mm	JIC-LZ00471	278.57
ARM (STD W/Load Hold)	KAV2437			P-UB-10	60 mm	95 mm	JIC-LZ00469	229.30
	KAV2437		Tier 3	P-UB-10	60 mm	95 mm	JIC-LZ00469	229.30
ARM (STD W/O Load Hold)	KAV2436			P-UB-10	60 mm	95 mm	JIC-LZ00469	229.30
	KAV2436		Tier 3	P-UB-10	60 mm	95 mm	JIC-LZ00469	229.30
BLADE (W/Load Hold)	KAV2443			P-U-10	60 mm	100 mm	JIC-LZ00474	197.19
BLADE (W/O Load Hold)	KAV2085			P-U-10	60 mm	100 mm	JIC-LZ00474	197.19
	KAV2085		Tier 3	P-U-10	60 mm	100 mm	JIC-LZ00474	197.19
BOOM (Offset)	KAV2442			P-UB-10	55 mm	95 mm	JIC-LZ00472	211.53
	KAV2442		Tier 3	P-UB-10	55 mm	95 mm	JIC-LZ00472	211.53
BOOM (STD W/Load Hold)	KAV2435			P-UB-10	70 mm	110 mm	JIC-LZ00470	146.11
	KAV2435		Tier 3	P-UB-10	70 mm	110 mm	JIC-LZ00470	146.11
BOOM (STD W/O Load Hold)	KAV2434			P-UB-10	70 mm	110 mm	JIC-LZ00470	146.11
	KAV2434		Tier 3	P-UB-10	70 mm	110 mm	JIC-LZ00470	146.11
BUCKET (Offset)	KAV2441			P-UB-10	55 mm	85 mm	JIC-LZ00473	183.26
BUCKET (STD)	KAV2440			P-UB-10	55 mm	85 mm	JIC-LZ00473	183.26
	KAV2440		Tier 3	P-UB-10	55 mm	85 mm	JIC-LZ00473	183.26
MODEL CX80C								
BUCKET	KAV2440		05/13-	P-UB-10	55 mm	85 mm	JIC-LZ00473	183.26
DOZER BLADE	KAV12980		05/13-	P-U-10	70 mm	110 mm	JIC-LZ012050	104.36
	KAV12980		05/13-	Bushing	70 mm		JIC-LB014900	14.39
	KAV12981		05/13-	P-U-10	70 mm	110 mm	JIC-LZ012050	104.36
	KAV12981		05/13-	Bushing	70 mm		JIC-LB014900	14.39
	KAV18610		05/13-	P-U-10	70 mm	110 mm	JIC-LZ012050	104.36
	KAV18610		05/13-	Bushing	70 mm		JIC-LB014900	14.39
LIFT	KAV18220		05/13-	P-UB-10	75 mm	115 mm	JIC-LZ017220	253.61
	KAV18300		05/13-	P-UB-10	75 mm	115 mm	JIC-LZ017220	253.61
SWING	KAV15930		05/13-	P-UB-10	55 mm	95 mm	JIC-LZ012030	195.59
Forklifts - Rough Terrain								
APPLICATION	CYL #	Piston	SERIAL #	CODE	ROD	BORE	KIT #	List \$
MODEL 586G								
LIFT	341153A1			P-UB-1	60 mm	2-3/4	JIC-362347A1	105.85
	341187A1			P-UB-1	2	2-1/2	JIC-337742A1	75.44
	348729A1			P-UB-1	2	2-1/2	JIC-337742A1	75.44
	348743A1			P-UB-1	3	3-1/2	JIC-348747A1	101.62
	360622A1			P-UB-1	3	3-1/2	JIC-348747A1	101.62

CASE

CASE

Replacement Kits For

Forklifts - Rough Terrain								
APPLICATION	CYL #	Piston	SERIAL #	CODE	ROD	BORE	KIT #	List \$
MODEL 586G								
LIFT	360792A1			P-UB-1	2	2-1/2	JIC-337742A1	75.44
SIDESHIFT	327149A1			P-U-10	1-1/4	2-1/2	JIC-79975C2	25.58
STEERING	401055A1			I-U-10	36 mm	63 mm	JIC-401061A1	105.29
	G107720			P-U-10	1-1/2	2-3/4	JIC-86991005	55.33
TILT	318877A1			P-UB-10	1-1/2	3	JIC-1543256C1	66.32
Loaders - Skid Steer								
APPLICATION	CYL #	Piston	SERIAL #	CODE	ROD	BORE	KIT #	List \$
MODEL 40XT								
BACKHOE BOOM D100	G100936			P-UB-10	1-1/2	3	JIC-1543252C1	70.43
BACKHOE BOOM D125	305352A1			P-UB-10	1-1/2	3	JIC-1543256C1	66.32
BACKHOE BUCKET D100	G100936			P-UB-10	1-1/2	3	JIC-1543252C1	70.43
BACKHOE BUCKET D125	402216A1			P-UB-10	1-3/4	2-3/4	JIC-433774A1	52.88
BACKHOE DIPPER D100	G100936			P-UB-10	1-1/2	3	JIC-1543252C1	70.43
BACKHOE DIPPER D125	1346411C3			P-UB-10	1-1/2	3	JIC-1543256C1	66.32
BACKHOE SWING D100	384865A1			I,P-U-1	2-3/4		JIC-398166A1	93.18
BACKHOE SWING D125	379623A1			I,P-U-1	2-3/4		JIC-398166A1	93.18
LIFT	87438185			P-UB-11	1-1/2	2-1/4	JIC-86613644	53.88
LOADER BUCKET	447169A1		JAF0374550- NA, JAF0348069- EU	P-U-10	35 mm	65 mm	JIC-86988481	65.65
LOADER LIFT	447170A1		JAF0374550- NA, JAF0348069- EU	P-U-10	40 mm	60 mm	JIC-86988474	57.58
	86614636		-JAF0374549 NA, - JAF0348068 EU	P-UB-11	1-1/2	2-1/4	JIC-86613644	53.88
STABILIZER Fold Down	101643A1			P-U-10	1.375	3	JIC-H673837	128.70
STABILIZER Vertical	H514117			P-OB-3	1	2	JIC-H52704	26.83
MODEL 60XT								
BACKHOE BOOM D100	G100936			P-UB-10	1-1/2	3	JIC-1543252C1	70.43
BACKHOE BOOM D125	305352A1			P-UB-10	1-1/2	3	JIC-1543256C1	66.32
BACKHOE BUCKET D100	G100936			P-UB-10	1-1/2	3	JIC-1543252C1	70.43
BACKHOE BUCKET D125	402216A1			P-UB-10	1-3/4	2-3/4	JIC-433774A1	52.88
BACKHOE DIPPER D100	G100936			P-UB-10	1-1/2	3	JIC-1543252C1	70.43
BACKHOE DIPPER D125	1346411C3			P-UB-10	1-1/2	3	JIC-1543256C1	66.32
BACKHOE SWING D100	384865A1			I,P-U-1	2-3/4		JIC-398166A1	93.18
BACKHOE SWING D125	379623A1			I,P-U-1	2-3/4		JIC-398166A1	93.18
LOADER BUCKET	447171A1		JAF0350357- NA, JAF0350744- EU	P-U-10	35 mm	70 mm	JIC-86988490	84.63
	86614637		-JAF0350356 NA, - JAF0350743 EU	P-UB-11	1-3/8	2-3/4	JIC-86613643	79.21
LOADER LIFT	447173A1		JAF0350357- NA, JAF0350744- EU	P-U-10	40 mm	65 mm	JIC-86988486	53.06
	86614638		-JAF0350356 NA, - JAF0350743 EU	P-UB-11	1-1/2	2-1/2	JIC-86631598	54.17
STABILIZER Fold Down	101643A1			P-U-10	1.375	3	JIC-H673837	128.70
STABILIZER Vertical	H514117			P-OB-3	1	2	JIC-H52704	26.83
TILT	87438187			P-UB-11	1-3/8	2-3/4	JIC-86613643	79.21
	87438193			P-U-11	1-1/2	3	JIC-86614269	53.89
MODEL 70XT								
BACKHOE BOOM	305352A1			P-UB-10	1-1/2	3	JIC-1543256C1	66.32
BACKHOE BUCKET	402216A1			P-UB-10	1-3/4	2-3/4	JIC-433774A1	52.88
BACKHOE DIPPER	1346411C3			P-UB-10	1-1/2	3	JIC-1543256C1	66.32
BACKHOE SWING	379623A1			I,P-U-1	2-3/4		JIC-398166A1	93.18
LIFT	87438190			P-UB-11	1-1/2	2-1/2	JIC-86631598	54.17
LOADER BUCKET	447172A1		JAF0371244- NA, JAF0351855- EU	P-U-10	35 mm	75 mm	JIC-86988494	82.26
	86614639		-JAF0371243 NA, - JAF0351854 EU	P-U-11	1-1/2	3	JIC-86614269	53.89

CASE

CASE

Loaders - Skid Steer								
APPLICATION	CYL #	Piston	SERIAL #	CODE	ROD	BORE	KIT #	List \$
MODEL 70XT								
LOADER LIFT	447173A1		JAF0350744- NA, JAF0371244- EU	P-U-10	40 mm	65 mm	JIC-86988486	53.06
	86614638		-JAF0371243 NA, - JAF0351854 EU	P-UB-11	1-1/2	2-1/2	JIC-86631598	54.17
STABILIZER Fold Down	101643A1			P-U-10	1.375	3	JIC-H673837	128.70
STABILIZER Vertical	H514117			P-OB-3	1	2	JIC-H52704	26.83
TILT	87438187			P-UB-11	1-3/8	2-3/4	JIC-86613643	79.21
	87438193			P-U-11	1-1/2	3	JIC-86614269	53.89
MODEL 75XT								
BACKHOE BOOM	1346450C2			P-UB-10	1-1/2	3	JIC-1543256C1	66.32
	305352A1		JAF0318922- NA, JAF0352169- EU	P-UB-10	1-1/2	3	JIC-1543256C1	66.32
BACKHOE BUCKET	1346397C2			P-UB-10	1-1/2	2-3/4	JIC-1346409C2	148.94
	402216A1		JAF0318922- NA, JAF0352169- EU	P-UB-10	1-3/4	2-3/4	JIC-433774A1	52.88
BACKHOE DIPPER	1346411C2			P-UB-10	1-1/2	3	JIC-1543256C1	66.32
	1346411C3			P-UB-10	1-1/2	3	JIC-1543256C1	66.32
	1346411C3		JAF0318922- NA, JAF0352169- EU	P-UB-10	1-1/2	3	JIC-1543256C1	66.32
BACKHOE SWING	379623A1			I,P-U-1	2-3/4		JIC-398166A1	93.18
	H673149			P-OB-1	2-3/4		JIC-H53041	36.44
LOADER BUCKET	259694A3			P-UB-10	1-1/4	2-1/2	JIC-252828A3	41.20
LOADER LIFT	305509A2			P-UB-10	1-1/2	2-1/4	JIC-305517A3	58.90
	336187A1			P-UB-10,12	1-3/4	2-1/2	JIC-198376A2	83.59
STABILIZER (FOLD DOWN)	101643A1			P-U-10	1-3/8	3	JIC-700710260	128.70
STABILIZER (VERTICAL)	H514117			P-OB-3	1	2	JIC-H52704	26.83
MODEL 85XT								
BACKHOE BOOM	1346450C2			P-UB-10	1-1/2	3	JIC-1543256C1	66.32
	305352A1		JAF0352234- NA, JAF0352715- EU	P-UB-10	1-1/2	3	JIC-1543256C1	66.32
BACKHOE BUCKET	1346397C2			P-UB-10	1-1/2	2-3/4	JIC-1346409C2	148.94
	402216A1		JAF0352234- NA, JAF0352715- EU	P-UB-10	1-3/4	2-3/4	JIC-433774A1	52.88
BACKHOE DIPPER	1346411C2			P-UB-10	1-1/2	3	JIC-1543256C1	66.32
	1346411C3		JAF0352234- NA, JAF0352715- EU	P-UB-10	1-1/2	3	JIC-1543256C1	66.32
BACKHOE SWING	379623A1			I,P-U-1	2-3/4		JIC-398166A1	93.18
	H673149			P-OB-1	2-3/4		JIC-H53041	36.44
LOADER BUCKET	258425A3			P-UB-10,12	1-3/8	2-3/4	JIC-275503A2	84.51
	258426A3		JAF0352234- NA, JAF0352715- EU	P-UB-10,12	1-3/8	2-3/4	JIC-275503A2	84.51
LOADER LIFT	189980A3			P-UB-10,12	1-3/4	2-1/2	JIC-198376A2	83.59
	336187A1		JAF0352234- NA, JAF0352715- EU	N-UB-1	1-3/4		JIC-1542875C1	29.46
STABILIZER (FOLD DOWN)	101643A1			P-U-10	1-3/8	3	JIC-700710260	128.70
STABILIZER (VERTICAL)	H514117			P-OB-3	1	2	JIC-H52704	26.83
MODEL 90XT								
BACKHOE BOOM	1346450C2			P-UB-10	1-1/2	3	JIC-1543256C1	66.32
	305352A1			P-UB-10	1-1/2	3	JIC-1543256C1	66.32
BACKHOE BUCKET	1346397C2			P-UB-10	1-1/2	2-3/4	JIC-1346409C2	148.94
	402216A1		JAF0320050- NA, JAF0274262- EU	P-UB-10	1-3/4	2-3/4	JIC-433774A1	52.88
BACKHOE DIPPER	1346411C2			P-UB-10	1-1/2	3	JIC-1543256C1	66.32
	1346411C3			P-UB-10	1-1/2	3	JIC-1543256C1	66.32
BACKHOE SWING	379623A1			I,P-U-1	2-3/4		JIC-398166A1	93.18
	H673149			P-OB-1	2-3/4		JIC-H53041	36.44
LOADER BUCKET	186988A3			P-UB-10	1-3/8	2-1/4	JIC-231921A2	58.70

CASE

Replacement Kits For

Loaders - Skid Steer								
APPLICATION	CYL #	Piston	SERIAL #	CODE	ROD	BORE	KIT #	List \$
MODEL 90XT								
LOADER BUCKET	327411A1			P-UB-10	1-1/2	2-1/2	JIC-128725A1	47.47
LOADER LIFT	279527A2			P-U-10	1-3/4	2-1/4	JIC-231726A3	62.79
	308258A2			P-U-10	1-3/4	2-1/4	JIC-231726A3	62.79
	308259A1			P-U-10	1-3/4	2-1/4	JIC-231726A3	62.79
STABILIZER (FOLD DOWN)	101643A1			P-U-10	1-3/8	3	JIC-700710260	128.70
STABILIZER (VERTICAL)	H514117			P-OB-3	1	2	JIC-H52704	26.83
TRENCHER BOOM LIFT	221700A1		JAF0320050- NA, JAF0274262- EU	P-U-10	1-3/4	3-1/2	JIC-235933A1	51.93
MODEL 95XT								
BACKHOE BOOM	1346450C2	1pc		P-UB-10	1-1/2	3	JIC-1543256C1	66.32
BACKHOE BUCKET	1346397C2	1pc		P-UB-10	1-1/2	2-3/4	JIC-1346409C2	148.94
BACKHOE DIPPER	1346411C2	1pc		P-UB-10	1-1/2	3	JIC-1543256C1	66.32
BACKHOE SWING	H673149			P-OB-1	2-3/4		JIC-H53041	36.44
LOADER BUCKET	258426A2	1pc		P-UB-10,12	1-3/8	2-3/4	JIC-275503A2	84.51
LOADER LIFT	139091A3	1pc		P-UB-10,12	1-3/4	2-1/2	JIC-198376A2	83.59
STABILIZER (Fold Down)	101643A1	1pc		P-U-10	1-3/8	3	JIC-700710260	128.70
STABILIZER (Vertical)	H514117	1pc		P-OB-3	1	2	JIC-H52704	26.83
TRENCHER BOOM LIFT	221700A1	1pc		P-U-10	1-3/4	3-1/2	JIC-235933A1	51.93
MODEL 1818								
BUCKET TILT	D136128	1pc		P-U-10	1	2	JIC-N14638	56.63
LOADER BUCKET	104517A1	1pc		P-U-10	1	2	JIC-110510A1	101.95
LOADER LIFT	104516A1	1pc		P-U-10	1-3/8	2	JIC-110507A1	101.95
	D136838	1pc		P-U-10	1-1/4	2	JIC-N14639	69.45
MODEL 1825								
BUCKET TILT	D136128	1pc		P-U-10	1	2	JIC-N14638	56.63
LOADER BUCKET	104517A1	1pc		P-U-10	1	2	JIC-110510A1	101.95
LOADER LIFT	104516A1	1pc		P-U-10	1-3/8	2	JIC-110507A1	101.95
	D136838	1pc		P-U-10	1-1/4	2	JIC-N14639	69.45
MODEL 1835								
GRAPPLE	D61075	1pc		P-U-10	1	2	JIC-D61006	12.86
LOADER BUCKET		1pc		P-UB-10	1-1/4	2-1/2	JIC-G109476	53.26
	G103407	1pc		P-UB-10	1-1/4	2-1/2	JIC-G105507	43.97
LOADER LIFT		1pc		P-UB-10	1-1/2	2-1/2	JIC-G109458	39.08
	G34864	1pc		P-U-10	1-1/4	2-1/8	JIC-G34819	39.45
MODEL 1835B								
GRAPPLE	D61075	1pc		P-U-10	1	2	JIC-D61006	12.86
LOADER BUCKET	G103407	1pc		P-UB-10	1-1/4	2-1/2	JIC-G109476	53.26
LOADER LIFT		1pc		P-UB-10	1-1/2	2-1/2	JIC-G109458	39.08
	G106818	1pc		P-UB-10	1-1/2	2-1/2	JIC-128725A1	47.47
MODEL 1835C								
BUCKET TILT	118110A1	1pc	JAF0130838-	P-U-10	1-1/4	2-1/2	JIC-128728A1	40.16
	G103407	1pc	-JAF0130838	P-U-10	1-1/4	2-1/2	JIC-128728A1	40.16
GRAPPLE	D61075	1pc		P-U-10	1	2	JIC-D61006	12.86
LIFT		1pc		P-U-10	1-1/4	2-1/8	JIC-G34819	39.45
	117824A1	1pc	JAF0130838-	P-UB-10	1-1/2	2-1/2	JIC-128725A1	47.47
	G110666	1pc	-JAF0130838	P-UB-10	1-1/2	2-1/2	JIC-128725A1	47.47
MODEL 1838								
BACKHOE BOOM, DIPPER, & BUCKET	G100936	1pc		P-UB-10	1-1/2	3	JIC-1543252C1	70.43
BACKHOE DIPPER	G109376	1pc		P-UB-10	1-1/2	3	JIC-1543313C1	83.59
BACKHOE SWING	H514125			P-OB-1	2-3/4		JIC-H53041	36.44
GRAPPLE	D61010	1pc		P-U-10	1	2	JIC-D61006	12.86
LOADER BUCKET TILT	118110A1	1pc		P-U-10	1-1/4	2-1/2	JIC-128728A1	40.16
LOADER LIFT	117824A1	1pc		P-UB-10	1-1/2	2-1/2	JIC-128725A1	47.47
STABILIZER (Fold Down)	101643A1	1pc		P-U-10	1-3/8	3	JIC-700710260	128.70
STABILIZER (Vertical)	H514117	1pc		P-OB-3	1	2	JIC-H52704	26.83

CASE

Replacement Kits For

Loaders - Skid Steer								
APPLICATION	CYL #	Piston	SERIAL #	CODE	ROD	BORE	KIT #	List \$
MODEL 1840								
BACKHOE BOOM	1346450C2	1pc		P-UB-10	1-1/2	3	JIC-1543256C1	66.32
BACKHOE BUCKET	1346397C2	1pc		P-UB-10	1-1/2	2-3/4	JIC-1346409C2	148.94
BACKHOE DIPPER	1346411C1	1pc		P-UB-10	1-1/2	3	JIC-1543256C1	66.32
BACKHOE SWING	H673149			P-OB-1	2-3/4		JIC-H53041	36.44
GRAPPLE	D61075	1pc		P-U-10	1	2	JIC-D61006	12.86
LOADER BUCKET TILT	118110A1	1pc		P-U-10	1-1/4	2-1/2	JIC-128728A1	40.16
	G103407	1pc		P-U-10	1-1/4	2-1/2	JIC-128728A1	40.16
LOADER LIFT	117824A1	1pc		P-UB-10	1-1/2	2-1/2	JIC-128725A1	47.47
	G110666	1pc		P-UB-10	1-1/2	2-1/2	JIC-128725A1	47.47
STABILIZER (Vertical)	H514117	1pc		P-OB-3	1	2	JIC-H52704	26.83
MODEL 1845, 1845S								
4-IN-1 BUCKET	G33748	1pc		P-UB-10	1-1/2	3	JIC-1543313C1	83.59
BUCKET DUMP	G34926	1pc		P-UB-10	1-1/4	2-1/2	JIC-G105507	43.97
LOADER LIFT - 1845	G37917	1pc		P-UB-10	1-1/2	2-1/2	JIC-128725A1	47.47
LOADER LIFT - 1845S	G100295	1pc		P-UB-10	1-1/2	2-1/2	JIC-128725A1	47.47
SCARIFIER	G33744	1pc		P-UB-10	1-1/2	3	JIC-1543313C1	83.59
MODEL 1845B								
LOADER BUCKET	G34926	1pc		P-UB-10	1-1/4	2-1/2	JIC-G109476	53.26
LOADER CLAM	G33748	1pc		P-UB-10	1-1/2	3	JIC-1543313C1	83.59
LOADER LIFT	G100295	1pc		P-UB-10	1-1/2	2-1/2	JIC-128725A1	47.47
SCARIFIER	G33744	1pc		P-UB-10	1-1/2	3	JIC-1543313C1	83.59
MODEL 1845C								
BACKHOE BOOM	1346450C2	1pc		P-UB-10	1-1/2	3	JIC-1543256C1	66.32
BACKHOE BUCKET	1346397C2	1pc		P-UB-10	1-1/2	2-3/4	JIC-1346409C2	148.94
BACKHOE DIPPER	1346411C1	1pc		P-UB-10	1-1/2	3	JIC-1543256C1	66.32
	G109376	1pc		P-UB-10	1-1/2	3	JIC-1543313C1	83.59
BACKHOE SWING	H673149			P-OB-1	2-3/4		JIC-H53041	36.44
BOOM, DIPPER, & BUCKET	G100936	1pc		P-UB-10	1-1/2	3	JIC-1543252C1	70.43
LOADER BUCKET	G34926	1pc		P-U-10	1-1/4	2-1/2	JIC-128728A1	40.16
LOADER LIFT	117903A1	1pc		P-UB-10	1-1/2	2-1/2	JIC-128725A1	47.47
	129011A1	1pc		P-UB-10	1-1/2	2-1/2	JIC-128725A1	47.47
	G109773	1pc		P-UB-10	1-1/2	2-1/2	JIC-128725A1	47.47
	G109777	1pc		P-UB-10	1-1/2	2-1/2	JIC-128725A1	47.47
STABILIZER	101643A1	1pc		P-U-10	1-3/8	3	JIC-700710260	128.70
	H514117	1pc		P-OB-3	1	2	JIC-H52704	26.83
	H672226	1pc		P-U-10	1-3/8	3	JIC-700710260	128.70
SWING	H514125			P-OB-1	2-3/4		JIC-H53041	36.44
MODEL SR130								
BUCKET	47364450		12/22/12-2/14, 5/13-12/19	I-UB-10	1-1/4	2-1/4	JIC-47364495	91.66
	84231835		4/11-12/20/12	P-UB-10	1-1/4	2-1/4	JIC-84480961	42.29
COUPLER	87442337		4/11-2/14, 5/13-12/19	I-U-11	1-3/4	1-1/2	JIC-86518284	30.74
LIFT	47364867		5/13-12/19	I-UB-10	1-3/8	2-1/4	JIC-47364910	129.78
	84231616		4/11-2/14	P-UB-10	1-3/8	2-1/4	JIC-84480931	74.72
MODEL SR130B								
BUCKET	47364450		8/19-	I-UB-10	1-1/4	2-1/4	JIC-47364495	91.66
LIFT	47364867		8/19-	I-UB-10	1-3/8	2-1/4	JIC-47364910	129.78
MODEL SR160								
BUCKET	47364452		5/13-12/19	I-UB-10	1-3/8	2-1/2	JIC-47364494	108.48
COUPLER	87442337		5/13-12/19	I-U-11	1-3/4	1-1/2	JIC-86518284	30.74
LIFT	47364867		5/13-12/19	I-UB-10	1-3/8	2-1/4	JIC-47364910	129.78
MODEL SR160B								
BUCKET	47364450		8/19-	I-UB-10	1-1/4	2-1/4	JIC-47364495	91.66
	47364452		8/19-	P-UB-10	1-3/8	2-1/2	JIC-84480956	95.47
	48111031		8/19-	I-UB-10	1-1/2	3	JIC-47364492	42.08
LIFT	47364867		8/19-	I-UB-10	1-3/8	2-1/4	JIC-47364910	129.78

CASE

Replacement Kits For

CASE

Loaders - Skid Steer								
APPLICATION	CYL #	Piston	SERIAL #	CODE	ROD	BORE	KIT #	List \$
MODEL SR175								
BUCKET	47364446		5/13-12/19	I-UB-10	1-3/8	2-3/4	JIC-47364493	109.92
	84290567		4/11-2/14	P-UB-10	1-3/8	2-3/4	JIC-84480953	71.20
COUPLER	87442337		4/11-2/14	I-U-11	1-3/4	1-1/2	JIC-86518284	30.74
	87442337		5/13-12/19	I-U-11	1-3/4	1-1/2	JIC-86518284	30.74
LIFT	47364865		5/13-12/19	I-UB-10	1-1/2	2-1/4	JIC-47364909	127.42
	84303687		4/11-2/14	P-UB-10	1-1/2	2-1/4	JIC-84480934	81.07
MODEL SR175B								
BUCKET	48127873		8/19-	I-UB-10	1-3/8	2-3/4	JIC-47364493	109.92
LIFT	47364865		8/19-	I-UB-10	1-1/2	2-1/4	JIC-47364909	127.42
MODEL SR200								
BUCKET	84290567	4/11-		P-UB-10	1-3/8	2-3/4	JIC-84480953	71.20
LIFT	84231611	4/11-		P-UB-10	1-3/4	2-1/2	JIC-87705824	45.82
MODEL SR210								
BUCKET	47364446		10/13-12/19	I-UB-10	1-3/8	2-3/4	JIC-47364493	109.92
LIFT	47364862		10/13-12/19	I-UB-10	1-3/4	2-1/2	JIC-47364908	99.80
MODEL SR210B								
BUCKET	48127873		8/19-	I-UB-10	1-3/8	2-3/4	JIC-47364493	109.92
LIFT	47364908		8/19-	I-UB-10	1-3/4	2-1/2	JIC-47364908	99.80
MODEL SR220								
BUCKET	84290563	4/11-		P-UB-10	1-1/2	3	JIC-84480948	46.74
LIFT	84303684	4/11-		P-UB-10	1-3/4	2-1/2	JIC-87705824	45.82
MODEL SR250								
BUCKET	47364444	7/12-	Tier 4A	I-UB-10	1-1/2	3	JIC-47364492	42.08
	84290563	4/11-		P-UB-10	1-1/2	3	JIC-84480948	46.74
LIFT	47364858	7/12-	Tier 4A	I-UB-10	1-3/4	2-3/4	JIC-47364907	42.60
	84303684	4/11-		P-UB-10	1-3/4	2-1/2	JIC-87705824	45.82
MODEL SV185								
BUCKET	47364448		35.723.AA	I-UB-10	1-3/8	2-1/2	JIC-47364494	108.48
	84480956		35.723.AA [01]	P-UB-10	1-3/8	2-1/2	JIC-84480956	95.47
COUPLER	87442337		35.734.AA [04]	I-U-11	1-3/4	1-1/2	JIC-86518284	30.74
LIFT (LH)	84543463		35.701.CB [01]	P-UB-10,12	1-3/4	2	JIC-84480921	66.83
LIFT (RH)	84543464		35.701.CB [02]	P-UB-10,12	1-3/4	2	JIC-84480921	66.83
MODEL SV250								
BUCKET	47364444	1/13-	Tier 4A	I-UB-10	1-1/2	3	JIC-47364492	42.08
	84290563	4/11-		P-UB-10	1-1/2	3	JIC-84480948	46.74
LIFT LH	84358576	4/11-		P-UB-10,12	1-3/4	2	JIC-84480921	66.83
	84494545	1/13-	Tier 4A	P-UB-10,12	1-3/4	2	JIC-84480921	66.83
LIFT RH	84358575	4/11-		P-UB-10,12	1-3/4	2	JIC-84480921	66.83
	84494544	1/13-	Tier 4A	P-UB-10,12	1-3/4	2	JIC-84480921	66.83
MODEL SV280								
BUCKET	47364444		3/18-3/19	I-UB-10	1-1/2	3	JIC-47364492	42.08
	48115229		3/18-3/19	I-UB-10	1-1/2	3	JIC-47364492	42.08
LIFT LH	47416033		3/18-3/19	I-UB-10,12	1-3/4	2-3/4	JIC-51560437	91.51
LIFT RH	47416034		3/18-3/19	I-UB-10	1-3/4	2-3/4	JIC-47416073	121.13
MODEL SV280B								
BUCKET	48115229		8/19-	I-UB-10	1-1/2	3	JIC-47364492	42.08
LIFT LH	47416033		8/19-	I-UB-10,12	1-3/4	2-3/4	JIC-51560437	91.51
LIFT RH	47416034		8/19-	I-UB-10,12	1-3/4	2-3/4	JIC-51560437	91.51
MODEL SV300								
BUCKET	47364444	7/12-	Tier 4A	I-UB-10	1-1/2	3	JIC-47364492	42.08
	84290563			P-UB-10	1-1/2	3	JIC-84480948	46.74
LIFT	47364858	7/12-	Tier 4A	I-UB-10	1-3/4	2-3/4	JIC-47364907	42.60
LIFT LH	84358576	4/11-	NCM445112 NA, NCM458434 EU	P-UB-10,12	1-3/4	2	JIC-84480921	66.83
	84558165	4/11-	NCM445112 NA, NCM458434 EU	P-UB-10,12	2	2-3/4	JIC-84530079	69.80

CASE

Replacement Kits For

CASE

Loaders - Skid Steer								
APPLICATION	CYL #	Piston	SERIAL #	CODE	ROD	BORE	KIT #	List \$
MODEL SV300								
LIFT LH	84558165	7/12-	Tier 4A	P-UB-10,12	2	2-3/4	JIC-84530079	69.80
LIFT RH	84358575	4/11-	NCM445112 NA, NCM458434 EU	P-UB-10,12	1-3/4	2	JIC-84480921	66.83
	84558166	4/11-	NCM445112 NA, NCM458434 EU	P-UB-10,12	2	2-3/4	JIC-84530079	69.80
Loaders - Track Skid Steer								
APPLICATION	CYL #	Piston	SERIAL #	CODE	ROD	BORE	KIT #	List \$
MODEL TR270								
BOOM	47364862		35.701.CB	I-UB-10	1-3/4	2-1/2	JIC-47364908	99.80
BUCKET	47364446		35.723.AA	I-UB-10	1-3/8	2-3/4	JIC-47364493	109.92
	84290567		35.723.AA [01]	P-UB-10	1-3/8	2-3/4	JIC-84480953	71.20
LIFT	84231611		35.701.CB [01]	P-UB-10	1-3/4	2-1/2	JIC-87705824	45.82
MODEL TR310								
BUCKET	47364446		10/17-12/19	I-UB-10	1-3/8	2-3/4	JIC-47364493	109.92
	48127873		10/17-12/19	I-UB-10	1-3/8	2-3/4	JIC-47364493	109.92
LIFT	47364858		10/17-12/19	I-UB-10	1-3/4	2-3/4	JIC-47364907	42.60
MODEL TR310B								
BUCKET	48127873		08/19-	I-UB-10	1-3/8	2-3/4	JIC-47364493	109.92
LIFT	47364858		08/19-	I-UB-10	1-3/4	2-3/4	JIC-47364907	42.60
MODEL TR320								
BUCKET	47364444		35.723.AA [03]	I-UB-10	1-1/2	3	JIC-47364492	42.08
	47364444		35.730.02	I-UB-10	1-1/2	3	JIC-47364492	42.08
	84290563		35.723.AA [01]	P-UB-10	1-1/2	3	JIC-84480948	46.74
LIFT	84303684		35.701.CB [01]	P-UB-10	1-3/4	2-1/2	JIC-87705824	45.82
	84575712		35.701.CB [02]	P-UB-10	1-3/4	2-3/4	JIC-84576195	105.58
LIFT (LH)	47364858		35.730.01	I-UB-10	1-3/4	2-3/4	JIC-47364907	42.60
LIFT (RH)	47364858		35.730.01	I-UB-10	1-3/4	2-3/4	JIC-47364907	42.60
MODEL TR340								
BOOM	84575712		04/17-12/19	P-UB-10	1-3/4	2-3/4	JIC-84576195	105.58
BUCKET	47364444		03/15-04/17	I-UB-10	1-1/2	3	JIC-47364492	42.08
	47364446		03/15-04/17	I-UB-10	1-3/8	2-3/4	JIC-47364493	109.92
	48115229		03/15-04/17	I-UB-10	1-1/2	3	JIC-47364492	42.08
	48115229		04/17-12/19	I-UB-10	1-1/2	3	JIC-47364492	42.08
LIFT	47364858		03/15-04/17	I-UB-10	1-3/4	2-3/4	JIC-47364907	42.60
MODEL TR340B								
BUCKET	48115229		08/19-	I-UB-10	1-1/2	3	JIC-47364492	42.08
LIFT	47364858		08/19-	I-UB-10	1-3/4	2-3/4	JIC-47364907	42.60
MODEL TV380								
BOOM (LH)	47416033		35.723.010	I-UB-10	1-3/4	2-3/4	JIC-47416073	121.13
BOOM (RH)	47416034		35.723.030	I-UB-10	1-3/4	2-3/4	JIC-47416073	121.13
BUCKET	47364444		35.723.AA	I-UB-10	1-1/2	3	JIC-47364492	42.08
	47364444		35.723.AA [03]	I-UB-10	1-1/2	3	JIC-47364492	42.08
	47364444		35.730.02	I-UB-10	1-1/2	3	JIC-47364492	42.08
	47364858		35.723.010	I-UB-10	1-3/4	2-3/4	JIC-47364907	42.60
	84290563		35.723.AA [01]	P-UB-10	1-1/2	3	JIC-84480948	46.74
COUPLER	87442337		35.734.AA [01]	I-U-11	1-3/4	1-1/2	JIC-86518284	30.74
LIFT (LH)	47416033		35.701.CB [01]	I-UB-10	1-3/4	2-3/4	JIC-47416073	121.13
	47416033		35.701.CB [06]	I-UB-10	1-3/4	2-3/4	JIC-47416073	121.13
	47416033		35.730.01 [02]	I-UB-10	1-3/4	2-3/4	JIC-47416073	121.13
	84358576		35.701.CB [03]	P-UB-10,12	1-3/4	2	JIC-84480921	66.83
	84558165		35.701.CB [04]	P-UB-10,12	2	2-3/4	JIC-84530079	69.80
LIFT (RH)	84558165		35.730.01	P-UB-10,12	2	2-3/4	JIC-84530079	69.80
	47416034		35.701.CB [02]	I-UB-10	1-3/4	2-3/4	JIC-47416073	121.13
	47416034		35.701.CB [03]	I-UB-10	1-3/4	2-3/4	JIC-47416073	121.13
	47416034		35.730.01 [01]	I-UB-10	1-3/4	2-3/4	JIC-47416073	121.13
	84358575		35.701.CB [01]	P-UB-10,12	1-3/4	2	JIC-84480921	66.83

CASE

CASE

Replacement Kits For

Loaders - Track Skid Steer								
APPLICATION	CYL #	Piston	SERIAL #	CODE	ROD	BORE	KIT #	List \$
MODEL TV380								
LIFT (RH)	84558165		35.730.01	P-UB-10,12	2	2-3/4	JIC-84530079	69.80
	84558166		35.701.CB [02]	P-UB-10,12	2	2-3/4	JIC-84530079	69.80
	84558166		35.730.01	P-UB-10,12	2	2-3/4	JIC-84530079	69.80
MODEL TV450								
BUCKET	48095131		10/18-12/19	I-UB-10	1-1/2	3	JIC-47364492	42.08
LIFT	48095114		10/18-12/19	I-UB-10	1-3/4	2-3/4	JIC-47416073	121.13
MODEL TV450B								
BUCKET	48095131		08/19-	I-UB-10	1-1/2	3	JIC-47364492	42.08
LIFT	48095114		08/19-	I-UB-10	1-3/4	2-3/4	JIC-47416073	121.13
Loaders - Wheel								
APPLICATION	CYL #	Piston	SERIAL #	CODE	ROD	BORE	KIT #	List \$
MODEL 521D								
LOADER BUCKET	336396A2		-JEE0135500	P-UB-10	2-1/2	4-1/2	JIC-360982A1	110.78
	368885A1		-JEE0135500	P-UB-10	2-1/4	3-3/4	JIC-358013A1	87.04
LOADER BUCKET (XT)	87405381		JEE0135501-	P-UB-10	2-1/4	4-1/8	JIC-381101A1	152.22
	87446958		JEE0135501-	P-UB-10	2-1/4	4	JIC-360979A1	88.11
LOADER BUCKET (Z-BAR)	87366674		JEE0135501-	P-UB-10	2-1/2	4-1/2	JIC-87434291	110.78
	87405363		JEE0135501-	P-UB-10	2-1/2	4-1/2	JIC-360982A1	110.78
LOADER LIFT	337568A1		-JEE0135500	P-UB-10	2-1/4	4	JIC-360979A1	88.11
LOADER LIFT (XR)	87405374		JEE0135501-	P-UB-10	2-1/2	4-1/2	JIC-360982A1	110.78
LOADER LIFT (XT)	87366683		JEE0135501-	P-UB-10	2-1/4	4	JIC-360979A1	88.11
	87405367		JEE0135501-	P-UB-10	2-1/4	4	JIC-360979A1	88.11
LOADER LIFT (Z-BAR)	87405374		JEE0135501-	P-UB-10	2-1/2	4-1/2	JIC-360982A1	110.78
LOADER LIFT (Z-BAR/XT)	87317750		JEE0135501-	P-UB-10	2-1/4	4	JIC-360979A1	88.11
	87366683		JEE0135501-	P-UB-10	2-1/4	4	JIC-360979A1	88.11
MODEL 621B								
LOADER CLAM	S301431	1pc		I-U-10	2	4	JIC-S301442	58.65
LOADER LIFT	1343595C1			P-UB-10	3	5	JIC-1543305C1	148.31
	1343596C1	1pc		P-UB-10	3	5	JIC-1543305C1	148.31
LOADER TILT, XT LOADER	112551A1	1pc		P-UB-10	2-1/4	4-1/2	JIC-1543279C1	94.29
LOADER TILT, Z-BAR	1343552C2	1pc		P-UB-10	3	6	JIC-G110526	150.66
STEERING	1976862C1	1pc		P-UB-10	1-3/4	3	JIC-1543267C1	81.96
MODEL 621C								
LOADER LIFT	280706A1		ALL	P-UB-10	3	5	JIC-1543305C1	148.31
LOADER TILT	112551A1		ALL	P-UB-10	2-1/4	4-1/2	JIC-1543279C1	94.29
	125872A1		ALL	P-UB-10	3	6	JIC-1543306C1	178.84
	1343552C2		ALL	P-UB-10	3	6	JIC-1543306C1	178.84
STEERING	1976862C1		ALL	P-UB-10	1-3/4	3	JIC-1543267C1	81.96
MODEL 621D								
LOADER BUCKET (XR)	87366695		JEE0135501-	P-UB-10	3	5	JIC-87434293	132.45
	87405382		JEE0135501-	P-UB-10	3	5	JIC-360984A1	132.45
LOADER BUCKET (XT)	87405381		JEE0135501-	P-UB-10	2-1/4	4-1/8	JIC-381101A1	152.22
	87442555		JEE0135501-	P-UB-10	2-1/2	4-1/2	JIC-360982A1	110.78
LOADER BUCKET (Z-BAR)	87366688		JEE0135501-	P-UB-10	3	5	JIC-87434293	132.45
	87405371		JEE0135501-	P-UB-10	3	5	JIC-360984A1	132.45
LOADER LIFT	87318060		JEE0135501-	P-UB-10	2-1/2	4-1/2	JIC-360982A1	110.78
	87366691		JEE0135501-	P-UB-10	2-1/2	4-1/2	JIC-360982A1	110.78
	87405374		JEE0135501-	P-UB-10	2-1/2	4-1/2	JIC-360982A1	110.78
MODEL 621E								
LOADER BUCKET (XR)	87366695			P-UB-10	3	5	JIC-87434293	132.45
LOADER BUCKET (XT)	87442555			P-UB-10	2-1/2	4-1/2	JIC-360982A1	110.78
LOADER BUCKET (Z-BAR)	87366688			P-UB-10	3	5	JIC-87434293	132.45
LOADER LIFT	87577649			P-UB-10	2-1/2	4-3/4	JIC-87598751	111.92
STEERING	87452362			P-UB-10,12	1-3/4	3	JIC-8605261	76.42
MODEL 621F								
LOADER BUCKET (XR/LR)	87577650			P-UB-10	2-1/2	4-3/4	JIC-87598751	111.92

CASE

CASE

Replacement Kits For

Loaders - Wheel								
APPLICATION	CYL #	Piston	SERIAL #	CODE	ROD	BORE	KIT #	List \$
MODEL 621F								
LOADER LIFT (XT/TC)	87577650			P-UB-10	2-1/2	4-3/4	JIC-87598751	111.92
LOADER LIFT (Z-BAR)	87577650			P-UB-10	2-1/2	4-3/4	JIC-87598751	111.92
LOADER TILT (XR/LR)	87366695			P-UB-10	3	5	JIC-87434293	132.45
LOADER TILT (XT/TC)	87442555			P-UB-10	2-1/2	4-1/2	JIC-360982A1	110.78
LOADER TILT (Z-BAR)	87366689			P-UB-10	3	5	JIC-87434293	132.45
STEERING	87452362			P-UB-10,12	1-3/4	3	JIC-8605261	76.42
MODEL 721B								
LOADER CLAM	S301431	1pc		I-U-10	2	4	JIC-S301442	58.65
LOADER LIFT	1343595C1	1pc		P-UB-10	3	5	JIC-1543305C1	148.31
	1343596C1	1pc		P-UB-10	3	5	JIC-1543305C1	148.31
LOADER TILT, XT LOADER	112551A1	1pc		P-UB-10	2-1/4	4-1/2	JIC-1543279C1	94.29
LOADER TILT, Z-BAR	1980347C4	1pc		P-UB-10	3	6-1/2	JIC-1543303C1	248.57
STEERING	1976862C1	1pc		P-UB-10	1-3/4	3	JIC-1543267C1	81.96
MODEL 721C								
LOADER LIFT	280706A1		ALL	P-UB-10	3	5	JIC-1543305C1	148.31
LOADER TILT	112551A1		ALL	P-UB-10	2-1/4	4-1/2	JIC-1543279C1	94.29
	125873A1		ALL	P-UB-10	3	6-1/2	JIC-1543303C1	248.57
	308986A1		ALL	P-UB-10	3	6-1/2	JIC-1543303C1	248.57
STEERING	1976862C1		ALL	P-UB-10	1-3/4	3	JIC-1543267C1	81.96
MODEL 721D								
LOADER BUCKET (XT)	87324809		01/03-	I-UB-10	2-1/4	4-1/2	JIC-87440117	76.46
	87440056		01/03-	I-UB-10	2-1/4	4-1/2	JIC-87440117	76.46
LOADER BUCKET (Z-BAR)	8605291		01/03-	P-UB-10	3	5-3/4	JIC-8605263	140.75
	87441197		01/03-	P-UB-10	3	5-3/4	JIC-87442965	140.75
LOADER LIFT (Z-BAR/XT)	8605290		01/03-	P-UB-10	3	4-3/4	JIC-8605262	161.67
	87318066		01/03-	P-UB-10	3	4-3/4	JIC-8605262	161.67
MODEL 721E								
LOADER BUCKET (XR)	87691131			P-UB-10	3	5-3/4	JIC-87495411	163.35
LOADER BUCKET (XT)	87324809			I-UB-10	2-1/4	4-1/2	JIC-87440117	76.46
LOADER BUCKET (Z-BAR)	87441197			P-UB-10	3	5-3/4	JIC-87442965	140.75
LOADER LIFT	87318066			P-UB-10	3	4-3/4	JIC-8605262	161.67
STEERING	87452362			P-UB-10,12	1-3/4	3	JIC-8605261	76.42
MODEL 721F								
LOADER BUCKET (XR)	87691131			P-UB-10	3	5-3/4	JIC-87495411	163.35
LOADER BUCKET (XT)	87324809			I-UB-10	2-1/4	4-1/2	JIC-87440117	76.46
LOADER BUCKET (Z-BAR)	87441197			P-UB-10	3	5-3/4	JIC-87442965	140.75
LOADER LIFT	87319194			P-UB-10	3	4-3/4	JIC-8605262	161.67
LOADER LIFT (XT)	87319194			I-UB-10	2-1/4	4-1/2	JIC-87440117	76.46
STEERING	87452362			P-UB-10,12	1-3/4	3	JIC-8605261	76.42
MODEL 821B								
LOADER CLAM	S301000	1pc		I-U-10	2-1/2	5	JIC-S301013	98.28
LOADER LIFT	1986601C1	1pc		P-UB-10	3-1/2	6	JIC-1986823C2	248.03
LOADER TILT	1980386C3	1pc		P-UB-10	3-1/2	7	JIC-1543309C1	259.66
STEERING	1986978C1	1pc		P-UB-10	1-3/4	3-1/2	JIC-1543266C1	83.50
MODEL 821C								
LOADER LIFT	1986601C1		ALL	P-UB-10	3-1/2	6	JIC-1986823C2	248.03
LOADER TILT	190385C3		ALL	P-UB-10	3-1/2	7	JIC-1543309C1	259.66
STEERING	229402A1		ALL	P-UB-10	1-3/4	3-1/2	JIC-1543266C1	83.50
MODEL 821E								
LOADER BUCKET (XR)	87696084		8/06-	P-UB-10	3-1/2	6-1/2	JIC-87529743	285.74
LOADER BUCKET (Z-BAR)	87337179		8/06-	P-UB-10	3-1/2	6-1/2	JIC-87529743	285.74
LOADER LIFT	87337177		8/06-	P-UB-10	3	5-1/4	JIC-87530718	175.62
STEERING	87307850		8/06-	P-UB-10,12	1-3/4	3-1/4	JIC-87363451	203.01
MODEL 821F								
COUPLER	84139131		Tier 4/ Tier 2	I-U-10	1	2-1/2	JIC-87741101	194.21
LIFT	84244454		Tier 4/ Tier 2	P-UB-14	3	5-1/2	JIC-84244457	350.87

CASE

Replacement Kits For

CASE

Loaders - Wheel

APPLICATION	CYL #	Piston	SERIAL #	CODE	ROD	BORE	KIT #	List \$
MODEL 821F								
LIFT	84244454		Tier 4B	P-UB-14	3	5-1/2	JIC-84244457	350.87
	84244456		Tier 4/ Tier 2	P-UB-14	3	5-1/2	JIC-84244457	350.87
STEERING LH	47415407		Tier 4/ Tier 2 - NDF220261-	P-UB-10,12	1-3/4	3-1/4	JIC-87363451	203.01
	47415407		Tier 4B	P-UB-10,12	1-3/4	3-1/4	JIC-87363451	203.01
	84351777		Tier 4/ Tier 2 - NDF220260	P-UB-10,12	1-3/4	3-1/4	JIC-87363451	203.01
STEERING RH	47412984		Tier 4/ Tier 2 - NDF220261-	P-UB-10,12	1-3/4	3-1/4	JIC-87363451	203.01
	47412984		Tier 4B	P-UB-10,12	1-3/4	3-1/4	JIC-87363451	203.01
	84351775		Tier 4/ Tier 2 - NDF220260	P-UB-10,12	1-3/4	3-1/4	JIC-87363451	203.01
TILT (XR)	87696084		Tier 4/ Tier 2	P-UB-10	3-1/2	6-1/2	JIC-87529743	285.74
	87696086		Tier 4B	P-UB-10	3-1/2	6-1/2	JIC-87529743	285.74
TILT (Z-BAR)	87337179		Tier 4/ Tier 2	P-UB-10	3-1/2	6-1/2	JIC-87529743	285.74
	87337180		Tier 4B	P-UB-10	3-1/2	6-1/2	JIC-87529743	285.74
MODEL 921								
LOADER LIFT	1986603C1	1pc		P-UB-10	4	7	JIC-1986920C2	285.77
LOADER TILT	1346171C3	1pc		P-UB-10	4	8	JIC-1346357C2	372.75
STEERING	1346169C2	1pc	1346267C1 & 1346268C1	P-UB-10	2	4	JIC-1543269C1	102.15
	1346169C2	1pc	1346269C1 Gland	P-UB-10	2	4	JIC-1543269C1	102.15
MODEL 921C								
LOADER LIFT	1986603C1		ALL	P-UB-10	4	7	JIC-1986920C2	285.77
LOADER TILT	1346171C3		ALL	P-UB-10	4	8	JIC-1346357C2	372.75
STEERING	1346169C4		ALL	P-UB-10	2	4	JIC-1543269C1	102.15
MODEL W8E								
LOADER LIFT		2pc		P-U-9	2-1/2	5	JIC-G32184	114.85
LOADER TILT		2pc		P-U-9	1-3/4	3-1/2	JIC-G32228	66.32
MODEL W9, W9A, W9B, W9C, W9E, W10, W10B, W10C, W10E								
BACKHOE BOOM		2pc		P-U-9	2	4	JIC-G32299	86.57
		2pc		P-UB-9	2-1/4	4-1/2	JIC-G105520	147.24
				P-U-1	2-1/4		JIC-D42878	31.12
				I-U-1	2		JIC-D42876	32.24
		2pc		N-N-9		4	JIC-G33239	47.66
		2pc		N-N-9		4-1/2	JIC-DTVS4.5P	87.17
BACKHOE BUCKET		2pc		P-U-9	2	3-1/2	JIC-G32293	67.16
		2pc		P-U-9	2-1/4	4	JIC-G34636	99.92
				I-U-1	1-3/4		JIC-D42873	35.04
				I-U-1	2		JIC-D42874	27.26
				I-U-1	2-1/4		JIC-D42877	25.34
		2pc		N-N-9		3-1/2	JIC-G33237	43.70
		2pc		N-N-9		4	JIC-G33239	47.66
BACKHOE DIPPER		2pc		P-U-9	2	4	JIC-G32299	86.57
		2pc		P-UB-9	2-1/4	4-1/2	JIC-G105520	147.24
				P-U-1	2-1/4		JIC-D42878	31.12
				I-U-1	2		JIC-D42876	32.24
		2pc		N-N-9		4-1/2	JIC-DTVS4.5P	87.17
		2pc		N-N-9		4	JIC-G33239	47.66
BACKHOE STABILIZER		2pc		P-U-9	2	4	JIC-G32299	86.57
		2pc		P-U-9	1-3/4	3-1/2	JIC-G105518	74.31
		2pc		P-UB-9	1-3/4	3-1/2	JIC-G105529	69.68
				I-U-1	2		JIC-D42876	32.24
				I-U-1	1-3/4		JIC-D42873	35.04
		2pc		N-N-9		3-1/2	JIC-G33237	43.70
		2pc		N-N-9		4	JIC-G33239	47.66

CASE

CASE

Replacement Kits For

Loaders - Wheel								
APPLICATION	CYL #	Piston	SERIAL #	CODE	ROD	BORE	KIT #	List \$
MODEL W9, W9A, W9B, W9C, W9E, W10, W10B, W10C, W10E								
BACKHOE SWING		2pc		P-UB-9	1-3/4	4	JIC-G105519	83.00
				I-U-1	1-3/4		JIC-D42875	27.12
		2pc		N-N-9		4	JIC-G33239	47.66
LOADER LIFT		2pc		P-U-9	2-1/2	5	JIC-G32184	114.85
LOADER TILT		2pc		P-U-9	1-3/4	3-1/2	JIC-G32228	66.32
MODEL W14B								
LOADER CLAM		1pc		P-UB-10	1-1/2	3	JIC-G109452	49.45
LOADER GRAPPLE		1pc		P-UB-10	1-1/2	3	JIC-G109418	49.12
LOADER LIFT		2pc		P-UB-9	2-1/4	4-1/2	JIC-G105520	147.24
LOADER TILT		1pc		P-UB-10	2	3-1/2	JIC-G109453	73.30
STEERING		1pc		P-UB-10	1-1/4	2-1/2	JIC-G109475	55.40
Uni-Loaders								
APPLICATION	CYL #	Piston	SERIAL #	CODE	ROD	BORE	KIT #	List \$
MODEL 1530B								
BUCKET		1pc		P-UB-10	1-1/2	3	JIC-G105502	63.21
BUCKET CLAM		1pc		P-UB-10	1-1/2	3	JIC-G105502	63.21
GRAPPLE		1pc		P-U-10	1	2	JIC-D61006	12.86
LIFT		1pc	-9818250	P-UB-10	1-1/2	3	JIC-G105502	63.21
		1pc	9818251-	P-UB-10	1-1/2	2-1/2	JIC-G109458	39.08
SCARIFIER		1pc		P-UB-10	1-1/2	3	JIC-G105502	63.21
WOOD TICK		1pc		P-UB-10	1-1/2	3	JIC-G105502	63.21
MODEL 1700								
BUCKET		1pc		P-UB-10	1-1/2	3	JIC-G105502	63.21
BUCKET CLAM		1pc		P-UB-10	1-1/2	3	JIC-G105502	63.21
GRAPPLE		1pc		P-U-10	1	2	JIC-D61006	12.86
LIFT		1pc		P-UB-10	1-1/2	3	JIC-G105502	63.21
SCARIFIER		1pc		P-UB-10	1-1/2	3	JIC-G105502	63.21
WOOD TICK		1pc		P-UB-10	1-1/2	3	JIC-G105502	63.21
MODEL 1816B, 1816C								
BUCKET		1pc		P-U-10	1	2	JIC-D61006	12.86
GRAPPLE		1pc		P-U-10	1	2	JIC-D61006	12.86
LIFT		1pc		P-U-10	1	2	JIC-D61006	12.86
MODEL 1818								
BUCKET TILT	D136128			P-U-10	1	2	JIC-N14638	56.63
LOADER LIFT	D136838			P-U-10	1-1/4	2	JIC-N14639	69.45
MODEL 1825								
BUCKET 4-IN-1	E99740			P-U-10	1	2	JIC-N14638	56.63
BUCKET TILT	D136128			P-U-10	1	2	JIC-N14638	56.63
LOADER LIFT	D136838			P-U-10	1-1/4	2	JIC-N14639	69.45
MODEL 1830								
BUCKET		1pc		P-UB-10	1-1/4	2-1/2	JIC-G105507	43.97
		1pc		P-U-10	1	2-1/2	JIC-G35378	26.52
		1pc		P-U-10	1	2-1/2	JIC-G34807	27.50
GRAPPLE		1pc		P-U-10	1	2	JIC-D61006	12.86
LIFT		1pc		P-U-10	1-1/4	2-1/8	JIC-G34819	39.45
SCARIFIER		1pc		P-UB-10	1-1/2	3	JIC-G105502	63.21
MODEL 1835, 1835B								
BUCKET		1pc		P-UB-10	1-1/4	2-1/2	JIC-G109476	53.26
GRAPPLE		1pc		P-U-10	1	2	JIC-D61006	12.86
LIFT		1pc		P-UB-10	1-1/2	2-1/2	JIC-G109458	39.08
		1pc		P-U-10	1-1/4	2-1/8	JIC-G34819	39.45
MODEL 1840								
BUCKET TILT	118110A1			P-U-10	1-1/4	2-1/2	JIC-128728A1	40.16
	G103407			P-U-10	1-1/4	2-1/2	JIC-128728A1	40.16
GRAPPLE	D61075			P-U-10	1	2	JIC-D61006	12.86
LOADER LIFT	117824A1			P-UB-10	1-1/2	2-1/2	JIC-128725A1	47.47

CASE

CASE

Replacement Kits For

Uni-Loaders								
APPLICATION	CYL #	Piston	SERIAL #	CODE	ROD	BORE	KIT #	List \$
MODEL 1840								
LOADER LIFT	G110666	1pc		P-UB-10	1-1/2	2-1/2	JIC-G109458	39.08
MODEL 1845, 1845B, 1845C, 1845S								
BUCKET		1pc		P-UB-10	1-1/4	2-1/2	JIC-G109476	53.26
CLAM		1pc		P-UB-10	1-1/2	3	JIC-G109418	49.12
LIFT		1pc		P-UB-10	1-1/2	2-1/2	JIC-G109458	39.08
SCARIFIER		1pc		P-UB-10	1-1/2	3	JIC-G109418	49.12
Unimogs								
APPLICATION	CYL #	Piston	SERIAL #	CODE	ROD	BORE	KIT #	List \$
MODEL MB4/94 with Model 26C Backhoe, P80 Cable Plow, T70								
3-PT HITCH LIFT		2pc		P-UB-9	1-1/2	3	JIC-G105512	86.99
		1pc		P-UB-10	1-1/2	3	JIC-G105548	65.14
3-PT HITCH PITCH		1pc		P-UB-10	1-1/4	2-1/2	JIC-G105507	43.97
BACKHOE BOOM		1pc		P-UB-10	2-1/4	4	JIC-G105556	84.65
		2pc		P-U-9	2-1/4	4	JIC-G34636	99.92
BACKHOE BUCKET		1pc		P-UB-10	1-3/4	3	JIC-G105549	82.89
		2pc		P-UB-9	1-3/4	3	JIC-G105524	95.86
BACKHOE DIPPER		1pc		P-UB-10	2	3-1/2	JIC-G105546	78.28
		2pc		P-UB-9	2	3-1/2	JIC-G105527	87.50
BACKHOE DIPPER EXT		2pc		P-UB-9	1-1/2	3	JIC-G105512	86.99
		1pc		P-UB-10	1-1/2	3	JIC-G105548	65.14
BACKHOE STABILIZER		1pc		P-UB-10	1-3/4	3	JIC-G105549	82.89
		2pc		P-UB-9	1-3/4	3	JIC-G105524	95.86
		2pc		P-U-9	1-3/4	3-1/2	JIC-G105518	74.31
BACKHOE SWING		1pc		P-UB-10	1-1/2	3-1/2	JIC-G105555	61.29
		2pc		P-U-9	1-1/2	3-1/2	JIC-G34652	65.37
CABLE PLOW SHIFT		1pc		P-UB-10	1-1/2	2-1/2	JIC-G105550	48.88
FORKLIFT MAST TILT		1pc		P-UB-10	1-1/4	3	JIC-G105510	44.92
LIFT		2pc		P-UB-9	1-3/4	3	JIC-G105524	95.86
TILT		2pc		P-U-9	1-1/2	3-1/2	JIC-G34646	64.30
		1pc		P-UB-10	1-1/2	3	JIC-G105502	63.21

CASE

REPLACEMENT KITS FOR CASE EQUIPMENT

IMPORTANT - PLEASE READ

If a kit part number is unknown, the machine model number, serial number, and cylinder application will help identify the repair kit you need.

Example: Model Number 580C
 Serial Number 5411021
 Cylinder Application Backhoe Swing

If none of the above information is known, size and description of the parts needed will almost always be sufficient.

Kit Number	Code (Pg. 14)	Rod X Bore Size	List Price
JIC-00407763	O-RINGS		\$67.11
JIC-00407796	O-RINGS		55.16
JIC-00948956	P-U-10	0.87 X 1.75	42.36
JIC-00948959	P-U-15	1.25 X 2.5	38.33
JIC-00948963	P-U-4	2.25 X 3	44.61
JIC-00948964	P-U-10	1-3/4 X 3	40.75
JIC-00948966	P-U-4	2.25 X 4	74.92
JIC-110507A1	P-U-10	1-3/8 X 2	101.95
JIC-110510A1	P-U-10	1 X 2	101.95
JIC-122535A1	P-UB-10	2 X 4	165.24
JIC-128725A1	P-UB-10	1-1/2 X 2-1/2	47.47
JIC-128728A1	P-U-10	1-1/4 X 2-1/2	40.16
JIC-131750A2	P-UB-10	2-1/4 X 3-1/4	103.69
JIC-131790A1	P-UB-10	2-1/4 X 4-1/4	70.36
JIC-1343707C2	P-UB-10	2-1/2 X 4-1/2	112.08
JIC-1346357C2	P-UB-10	4 X 8	372.75
JIC-1346409C2	P-UB-10	1-1/2 X 2-3/4	148.94
JIC-1346478C2	P-UB-10	2-1/4 X 4	140.69
JIC-135352A1	P-UB-10	2 X 3	68.68
JIC-1542764C2	P-UB-10	1-1/2 X 2-1/2	85.84
JIC-1542873C1	N-UB-1	1-1/4	12.62
JIC-1542874C1	N-UB-1	1-1/2	21.34
JIC-1542875C1	N-UB-1	1-3/4	29.46
JIC-1542876C1	N-UB-1	2	20.35
JIC-1542877C1	N-UB-1	2-1/4	27.13
JIC-1542879C1	P-UB-10	2-1/2 X 5	103.74
JIC-1542881C1	N-UB-1	3	53.36
JIC-1542882C1	N-UB-1	3-1/2	64.19
JIC-1542915C2	P-UB-10	2-1/2 X 5	100.04
JIC-1542919C2	P-UB-10	2-1/4 X 5	247.03
JIC-1542919C4	P-UB-10	2-1/4 X 5	247.03
JIC-1542923C2	P-UB-10	2-1/2 X 3-1/2	105.84
JIC-1542946C1	P-UB-10	1-1/4 X 2-3/4	102.39
JIC-1543249C1	P-UB-10	1-1/4 X 2-1/2	76.99
JIC-1543250C1	P-UB-10	1-1/4 X 2-1/2	61.22
JIC-1543252C1	P-UB-10	1-1/2 X 3	70.43
JIC-1543253C1	P-UB-10	1-1/2 X 2-1/2	71.82
JIC-1543254C1	P-UB-10	1-1/2 X 3-1/2	77.11
JIC-1543256C1	P-UB-10	1-1/2 X 3	66.32
JIC-1543260C1	P-UB-10	1-3/4 X 3-1/4	83.86

Kit Number	Code (Pg. 14)	Rod X Bore Size	List Price
JIC-1543261C1	P-UB-10	1-3/4 x 3-1/2	\$77.12
JIC-1543262C1	P-UB-10	1-3/4 X 3	67.69
JIC-1543263C1	P-UB-9	1-3/4 X 3	99.08
JIC-1543264C1	P-UB-10	1-3/4 X 4	85.29
JIC-1543265C1	P-UB-10	1-3/4 X 3-1/4	83.86
JIC-1543266C1	P-UB-10	1-3/4 X 3-1/2	83.50
JIC-1543267C1	P-UB-10	1-3/4 X 3	81.96
JIC-1543268C1	P-UB-10	2 X 3-1/4	91.44
JIC-1543269C1	P-UB-10	2 X 4	102.15
JIC-1543270C1	P-UB-9	2 X 4-1/2	155.47
JIC-1543271C1	P-UB-9	2 X 4	89.78
JIC-1543273C1	P-UB-10	2 X 4	107.21
JIC-1543274C1	P-UB-10	2 X 3-1/2	109.49
JIC-1543275C1	P-UB-10	2 X 4-1/4	107.89
JIC-1543276C1	P-UB-9	2-1/4 X 4-1/2	160.75
JIC-1543277C1	P-UB-10	2-1/4 X 4	94.81
JIC-1543279C1	P-UB-10	2-1/4 X 4-1/2	94.29
JIC-1543289C2	P-UB-10	2-1/4 X 5	129.09
JIC-1543290C1	P-UB-10	2-1/2 X 4-1/2	81.22
JIC-1543291C1	P-UB-9	2-1/2 X 4-1/2	142.40
JIC-1543294C1	P-UB-10	2-1/2 X 3-1/2	77.12
JIC-1543295C1	P-UB-10	2-1/2 X 4	102.91
JIC-1543298C1	I-UB-10	2-3/4 X 5	110.31
JIC-1543299C1	P-UB-8	3 X 6	182.06
JIC-1543303C1	P-UB-10	3 X 6-1/2	248.57
JIC-1543305C1	P-UB-10	3 X 5	148.31
JIC-1543306C1	P-UB-10	3 X 6	178.84
JIC-1543309C1	P-UB-10	3-1/2 X 7	259.66
JIC-1543312C1	P-UB-9	2-1/2 X 5	178.73
JIC-1543313C1	P-UB-10	1-1/2 X 3	83.59
JIC-1543316C1	P-UB-10	1-1/4 X 3	78.88
JIC-1543360C1	P-UB-9	2-1/2 X 5	318.43
JIC-1543378C1	P-UB-9	1-1/2X3	126.38
JIC-1543383C1	P-UB-9	2 X 3-1/2	131.35
JIC-1543385C1	P-UB-10	2-1/4 X 4-1/2	92.58
JIC-156002A1	P-UB-10	110 X 160 mm	771.19
JIC-158846A1	P-UB-10	95 X 140 mm	601.06
JIC-160227A1	P-UB-10	105 X 150 mm	623.97
JIC-160229A1	P-UB-10	90 X 135 mm	472.95
JIC-160577A1	P-UB-10	85 X 125 mm	438.69

REPLACEMENT KITS FOR CASE EQUIPMENT

CASE

Kit Number	Code (Pg. 14)	Rod X Bore Size	List Price
JIC-160579A1	P-UB-10	100 X 135 mm	\$599.22
JIC-160581A1	P-UB-10	80 X 120 mm	390.15
JIC-161912A1	P-UB-10	80 X 115 mm	442.50
JIC-161913A1	P-UB-10	90 X 125 mm	528.49
JIC-161914A1	P-UB-10	75 X 105 mm	464.57
JIC-162976A1	P-UB-10	70 X 95 mm	407.88
JIC-164183A1	P-UB-10	85 X 125 mm	418.05
JIC-164493A1	P-UB-10	75 X 100 mm	291.52
JIC-164494A1	P-UB-10	80 X 115 mm	466.27
JIC-175251A1	P-UB-10	1-1/2 X 2-3/4	162.08
JIC-179011A1	P-UB-10,12	2-3/4 X 5-1/2	231.88
JIC-182218A1	P-UB-10,12	2-1/4 X 4-1/2	149.29
JIC-183286A1	P-U-10	1-1/4 X 2-1/2	76.36
JIC-191747A1	P-UB-10,12	2 X 3-3/4	158.61
JIC-1980161C1	P-UB-10	2 X 3-1/2	86.61
JIC-1980181C2	P-UB-10	2 X 3-3/4	111.66
JIC-1980412C2	P-UB-10	2-1/2 X 5-1/2	322.53
JIC-198376A2	P-UB-10,12	1-3/4 X 2-1/2	83.59
JIC-1986823C2	P-UB-10	3-1/2 X 6	248.03
JIC-1986856C2	P-UB-10	2 X 4-1/2	141.67
JIC-1986920C2	P-UB-10	4 X 7	285.77
JIC-1994527C2	P-UB-10	2-3/4 X 5-1/2	293.63
JIC-201501A1	I-U-10	40 X 70 mm	40.16
JIC-231726A3	P-U-10,12	1-3/4 X 2-1/4	62.79
JIC-231921A2	P-UB-10	1-3/8 X 2-1/4	58.70
JIC-234844A1	P-UB-10,12	2-1/4 X 4-1/4	154.94
JIC-235933A1	P-U-10	1-3/4 X 3-1/2	51.93
JIC-250741A1	P-UB-10	1-3/4 X 3-1/2	107.14
JIC-252828A3	P-UB-10	1-1/4 X 2-1/2	41.20
JIC-275503A2	P-UB-10,12	1-3/8 X 2-3/4	84.51
JIC-279532A1	N-UB-1	1-3/8	40.39
JIC-297895A1	P-UB-10	2-3/4 X 3-3/4	115.98
JIC-305517A3	P-UB-10,12	1-1/2 X 2-1/4	58.90
JIC-310478A1	P-UB-10	1-3/4 X 3	98.12
JIC-337742A1	P-UB-1	2 X 2-1/2	75.44
JIC-348747A1	P-UB-1	3 X 3-1/2	101.62
JIC-358013A1	P-UB-10	2-1/4 X 3-3/4	87.04
JIC-360979A1	P-UB-10	2-1/4 X 4	88.11
JIC-360982A1	P-UB-3	2-1/2 X 4-1/2	110.78
JIC-360984A1	P-UB-3	3 X 5	132.45
JIC-362347A1	P-UB-1	60 mm X 2-3/4	105.85
JIC-381101A1	P-UB-10	2-1/4 X 4-1/8	152.22
JIC-398166A1	I,P-U-1	2-3/4	93.18
JIC-400429A1	P-U-15	1-1/4 X 2-1/2	1.36
JIC-401061A1	I-U-10	36 X 63 mm	105.29
JIC-433774A1	P-UB-10	1-3/4 X 2-3/4	52.88

Kit Number	Code (Pg. 14)	Rod X Bore Size	List Price
JIC-47364492	I-UB-10	1-1/2 X 3	\$42.08
JIC-47364493	I-UB-10	1-3/8 X 2-3/4	109.92
JIC-47364494	I-UB-10	1-3/8 X 2-1/2	108.48
JIC-47364495	I-UB-10	1-1/4 X 2-1/4	91.66
JIC-47364907	I-UB-10	1-3/4 X 2-3/4	42.60
JIC-47364908	I-UB-10	1-3/4 X 2-1/2	99.80
JIC-47364909	I-UB-10	1-1/2 X 2-1/4	127.42
JIC-47364910	I-UB-10	1-3/8 X 2-1/4	129.78
JIC-47416073	I-UB-10	1-3/4 X 2-3/4	121.13
JIC-5001732M91	P-U-10	45 X 80 mm	124.95
JIC-5001747M91	P-U-10	45 X 75 mm	90.34
JIC-5001761M91	P-U-10	55 X 95 mm	127.65
JIC-5001763M91	P-U-10	35 X 65 mm	140.53
JIC-51560437	I-UB-10,12	1-3/4 X 2-3/4	91.51
JIC-700710260	P-U-10	1-3/8 X 3	128.70
JIC-71452371	P-UB-1	60 mm	148.14
JIC-71470760	N-N-10	95 mm	96.77
JIC-72280241	P-U-10	45 X 75 mm	103.60
JIC-72280251	P-U-10	40 X 65 mm	115.90
JIC-72280261	P-U-10	50 X 100 mm	112.45
JIC-72280268	P-U-10	45 X 80 mm	121.14
JIC-72280471	P-U-10	40 X 70 mm	148.68
JIC-72282209	P-U-10	40 X 70 mm	148.68
JIC-72282317	P-U-10	35 X 60 mm	153.01
JIC-72282324	P-U-10	45 X 85 mm	169.33
JIC-72283999	P-U-10	50 X 90 mm	168.61
JIC-72284000	P-U-10	45 X 75 mm	84.40
JIC-72284002	P-U-10	45 X 100 mm	118.23
JIC-72284189	P-U-10	55 X 95 mm	143.60
JIC-72284207	P-U-10	50 X 90 mm	137.27
JIC-76031570	P-UB-15	60 X 120 mm	106.38
JIC-76031598	P-UB-15	70 X 120 mm	97.90
JIC-76053661	P-UB-10	63 X 125 mm	126.41
JIC-76066269	N-N-10	125 mm	55.95
JIC-76066270	P-UB-1	63 mm	111.91
JIC-76066271	N-N-10	100 mm	51.53
JIC-76066272	P-UB-1	50 mm	119.17
JIC-76066282	N-N-10	90 mm	40.02
JIC-76073156	N-N-10	110 mm	58.72
JIC-76073157	P-UB-10	55 mm	81.29
JIC-79071307	P-UB-1	70 mm	69.34
JIC-79071464	P-UB-1	63 mm	63.81
JIC-79071472	P-UB-1	56 mm	61.87
JIC-79099829	N-N-10	100 mm	26.60
JIC-79099850	N-N-10	125 mm	61.24
JIC-79975C2	P-U-10	1-1/4 X 2-1/2	25.58

REPLACEMENT KITS FOR CASE EQUIPMENT

Kit Number	Code (Pg. 14)	Rod X Bore Size	List Price
JIC-84154316	P-UB-10	2-1/2 X 5	\$100.04
JIC-84154317	P-UB-10	2-1/4 X 5	108.07
JIC-84155085	P-UB-10	2 X 4-1/4	106.34
JIC-84157290	P-UB-10	1-3/4 X 3-1/2	95.59
JIC-84172816	P-UB-10,12	2 X 3-3/4	88.94
JIC-84207305	P-UB-10	2 X 4	61.96
JIC-84209920	P-UB-14	2-1/4 X 4	133.59
JIC-84244457	I-U-10	1 X 2-1/2	350.87
JIC-84257323	P-UB-12,14	1-3/4 X 3-1/4	133.19
JIC-84257765	P-UB-14	1-3/4 X 3-1/4	93.55
JIC-84257772	P-UB-12,14	1-1/2 X 3	109.99
JIC-84257788	P-UB-14	1-1/2 X 3	89.43
JIC-84258339	P-UB-12,14	1-7/8 X 3-1/2	148.11
JIC-84259218	P-UB-12,14	2-1/4 X 4-1/2	166.67
JIC-84259219	P-UB-12,14	2-1/2 X 5	225.62
JIC-84259220	P-UB-12,14	2-3/4 X 5-1/2	206.60
JIC-84259221	P-UB-12,14	2-1/4 X 4-1/4	126.77
JIC-84259222	P-UB-12,14	2-1/2 X 4-3/4	216.06
JIC-84259223	P-UB-12,14	2-3/4 X 5-1/4	335.96
JIC-84259224	P-UB-12,14	2-1/4 X 3-1/4	156.70
JIC-84259225	P-UB-12,14	2-1/2 X 3-1/2	134.07
JIC-84259226	P-UB-14	2-1/4 X 4-1/4	158.02
JIC-84259227	P-UB-14	2-1/4 X 4-1/2	149.76
JIC-84259228	P-UB-14	2-1/2 X 5-1/4	173.34
JIC-84330972	I-U-10	36 X 63 mm	106.02
JIC-84331720	I-U-10	40 X 70 mm	183.86
JIC-84365141	P-U-10	50 X 90 mm	314.18
JIC-84365143	P-U-10	50 X 90 mm	314.18
JIC-84480921	P-UB-10,12	1-3/4 X 2-1/2	66.83
JIC-84480931	P-UB-10	1-3/8 X 2-1/4	74.72
JIC-84480934	P-UB-10	1-1/2 X 2-1/4	81.07
JIC-84480948	P-UB-10	1-1/2 X 3	46.74
JIC-84480953	P-UB-10	1-3/8 X 2-3/4	71.20
JIC-84480956	P-UB-10	1-3/8 X 2-1/2	95.47
JIC-84480961	P-UB-10	1-1/4 X 2-1/4	42.29
JIC-84530079	P-UB-10,12	2 X 2-3/4	69.80
JIC-84576195	P-UB-10	1-3/4 X 2-3/4	105.58
JIC-85819350	P-UB-10	63 mm X 4-1/2	256.76
JIC-85824250	I-U-15	45 X 80 mm	98.91
JIC-8605261	P-UB-10,12	1-3/4 X 3	76.42
JIC-8605262	P-UB-10	3 X 4-3/4	161.67
JIC-8605263	P-UB-10	3 X 5-3/4	140.75
JIC-86518284	I-U-11	3/4 X 1-1/2	30.74
JIC-86613643	P-UB-11	1-3/8 X 2-3/4	79.21
JIC-86613644	P-UB-11	1-1/2 X 2-1/4	53.88
JIC-86614269	P-U-11	1-1/2 X 3	53.89

Kit Number	Code (Pg. 14)	Rod X Bore Size	List Price
JIC-86631598	P-UB-11	1-1/2 X 2-2/2	\$54.17
JIC-86982377	P-UB-10	1-3/4 X 3	64.88
JIC-86988474	P-U-10	40 X 60 mm	57.58
JIC-86988481	P-U-10	35 X 65 mm	65.65
JIC-86988486	P-U-10	40 X 65 mm	53.06
JIC-86988490	P-U-10	35 X 70 mm	84.63
JIC-86988494	P-U-10	35 X 75 mm	82.26
JIC-86991005	P-U-10	1-1/2 X 2-3/4	55.33
JIC-87214805	P-UB-10	60 mm X 95 mm	31.95
JIC-87221599	P-UB-10	70 mm X 110 mm	88.48
JIC-87342131	P-UB-10	1-3/4 X 3	63.81
JIC-87342178	P-UB-10	2-1/2 X 5	117.44
JIC-87363451	P-UB-10,12	1-3/4 X 3-1/4	203.01
JIC-87367212	P-UB-10,12	2-3/4 X 5-1/2	199.54
JIC-87367429	I-UB-10	2-1/2 X 5-1/2	240.78
JIC-87418297	P-UB-10,12	2-1/2 X 5-1/4	300.55
JIC-87428620	P-UB-10	2 X 2-3/4	61.04
JIC-87428631	P-UB-10	2 X 110 mm	116.68
JIC-87428634	P-UB-10,12	2-1/2 X 135 MM	311.47
JIC-87428866	P-UB-10	2-1/2 X 90 MM	56.35
JIC-87428869	P-UB-10	2 X 2-3/4	101.43
JIC-87428872	I,P-UB-10,12	2-1/2 X 4-1/2	146.67
JIC-87428874	P-UB-10,12	2-1/2 X 135 mm	258.24
JIC-87432407	P-UB-10	2 X 3-1/2	73.45
JIC-87432412	P-UB-10	1-3/4 X 3-1/4	76.35
JIC-87434291	P-UB-10	2-1/2 X 4-1/2	110.78
JIC-87434292	P-UB-10	2-1/4 X 4	88.11
JIC-87434293	P-UB-10	3 X 5	132.45
JIC-87440117	I-UB-10	2-1/4 X 4-1/2	76.46
JIC-87442965	P-UB-10	3 X 6	140.75
JIC-87445307-NP	P-UB-10	2 X 110 mm	103.75
JIC-87454548	Misc		4.56
JIC-87455549	O-rings and Back-ups		1.78
JIC-87495411	P-UB-10	3 X 5-3/4	163.35
JIC-87529742	P-UB-10	4 X 6-1/2	184.54
JIC-87529743	P-UB-10	3-1/2 X 6-1/2	285.74
JIC-87530718	P-UB-10	3 X 5-1/4	175.62
JIC-87573868	I-U-15	45 X 80 mm	98.91
JIC-87598751	P-UB-10	2-1/2 X 4-3/4	111.92
JIC-87608671	P-UB-10	2 X 2-3/4	69.17
JIC-87633295	P-UB-10	2-1/2 X 4-1/2	171.56
JIC-87651309	P-UB-10	2 X 3-3/4	86.27
JIC-87653283	P-UB-10	2 X 3	56.66
JIC-87672315	P-UB-10	2 X 4	49.96
JIC-87705824	P-UB-10	1-3/4 X 2-1/2	45.82
JIC-87731626	P-UB-10	2-1/2 X 5-1/2	187.36

REPLACEMENT KITS FOR CASE EQUIPMENT

CASE

Kit Number	Code (Pg. 14)	Rod X Bore Size	List Price
JIC-87741101	P-UB-10	60 mm X 95 mm	\$194.21
JIC-907001	TRACK ADJUSTER		42.58
JIC-A43296	I-U-10	1-1/4 X 2-1/8	36.31
JIC-A44644	I-O-3	3/4 X 1-1/2	17.31
JIC-A5349616	P-U-10	95 X 125 mm	173.12
JIC-D143215	I-U-10	2 X 4	50.21
JIC-D148100	I-U-10	3/4 X 1-1/2	37.97
JIC-D37360	I-U-9	1-1/2 X 2-1/2	74.46
JIC-D37361	I-U-9	1-1/2 X 2	126.31
JIC-D42867	I-U-1	1-1/4 ROD	31.89
JIC-D42869	I-U-1	1-1/2 ROD	34.38
JIC-D42870	I-U-1	1-1/2 ROD	34.14
JIC-D42872	I-U-1	1-3/4 ROD	25.58
JIC-D42873	I-U-1	1-3/4 ROD	35.04
JIC-D42874	I-U-1	2 ROD	27.26
JIC-D42875	I-U-1	1-3/4 ROD	27.12
JIC-D42876	I-U-1	2 ROD	32.24
JIC-D42877	I-U-1	2-1/4 ROD	25.34
JIC-D42878	P-U-1	2-1/4 ROD	31.12
JIC-D47651	I-U-1	2 ROD	28.21
JIC-D47896	I-U-1	1-1/2 ROD	27.55
JIC-D50279	I-U-9	3 X 5	110.91
JIC-D61006	P-U-10	1 X 2	12.86
JIC-D83184	I-U-11	3/4 X 1-1/2	27.83
JIC-G101021	P-U-10	1-1/4 X 2-1/8	38.33
JIC-G102408	P-U-10	1-3/4 X 4	75.16
JIC-G102410	P-U-10	1-3/4 X 3-1/2	70.81
JIC-G105206	P-UB-10	1-1/2 X 2-3/4	112.73
JIC-G105502	P-UB-10	1-1/2 X 3	63.21
JIC-G105503	P-UB-9	1-1/2 X 2	119.05
JIC-G105505	P-UB-9	1-1/2 X 2-1/2	58.93
JIC-G105507	P-UB-10	1-1/4 X 2-1/2	43.97
JIC-G105508	P-U-9	1-3/4 X 3-1/2	80.87
JIC-G105510	P-UB-10	1-1/4 X 3	44.92
JIC-G105512	P-UB-9	1-1/2 X 3	86.99
JIC-G105513	P-UB-9	2-1/2 X 4-1/2	151.85
JIC-G105514	P-UB-9	2-1/2 X 5-1/2	152.20
JIC-G105515	P-UB-9	2-1/2 X 5	129.22
JIC-G105516	P-UB-9	3 X 6	158.96
JIC-G105517	P-UB-9	2 X 4	91.69
JIC-G105518	P-U-9	1-3/4 X 3-1/2	74.31
JIC-G105519	P-UB-9	1-3/4 X 4	83.00
JIC-G105520	P-UB-9	2-1/4 X 4-1/2	147.24
JIC-G105521	P-UB-9	2 X 3-1/2	76.31
JIC-G105523	P-UB-9	1-3/4 X 3	83.25
JIC-G105524	P-UB-9	1-3/4 X 3	95.86

Kit Number	Code (Pg. 14)	Rod X Bore Size	List Price
JIC-G105525	P-UB-9	2 X 4-1/2	\$122.63
JIC-G105526	P-UB-9	2 X 4	91.58
JIC-G105527	P-UB-9	2 X 3-1/2	87.50
JIC-G105528	P-UB-8	1-3/4 X 3-1/4	79.76
JIC-G105529	P-UB-9	1-3/4 X 3-1/2	69.68
JIC-G105530	P-UB-9	2-1/4 X 5	153.32
JIC-G105531	P-UB-9	3 X 5	147.87
JIC-G105545	P-UB-10	2 X 4	88.50
JIC-G105546	P-UB-10	2 X 3-1/2	78.28
JIC-G105547	P-UB-10	1-3/4 X 3-1/4	74.88
JIC-G105548	P-UB-10	1-1/2 X 3	65.14
JIC-G105549	P-UB-10	1-3/4 X 3	82.89
JIC-G105550	P-UB-10	1-1/2 X 2-1/2	48.88
JIC-G105551	P-UB-10	1-1/4 X 2-1/2	55.40
JIC-G105552	P-UB-10	1-3/4 X 4	78.03
JIC-G105553	P-UB-10	2 X 3-1/4	82.07
JIC-G105555	P-UB-10	1-1/2 X 3-1/2	61.29
JIC-G105556	P-UB-10	2-1/4 X 4	84.65
JIC-G105557	P-UB-10	2-1/4 X 4-1/2	109.01
JIC-G105560	P-UB-10	2-1/2 X 4-1/2	81.35
JIC-G105561	P-UB-10	2-1/2 X 4	74.31
JIC-G105562	P-UB-10	2-3/4 X 5	122.08
JIC-G105563	P-UB-10	2-1/2 X 3-1/2	82.02
JIC-G105566	P-UB-9	2-3/4 X 5-1/2	245.68
JIC-G109417	P-UB-10	1-3/4 X 3-1/4	74.88
JIC-G109418	P-UB-10	1-1/2 X 3	49.12
JIC-G109421	P-UB-9	2 X 4	75.16
JIC-G109423	P-UB-10	2 X 4	82.89
JIC-G109424	P-UB-10	2-1/2 X 4	85.60
JIC-G109452	P-UB-10	1-1/2 X 3	49.45
JIC-G109453	P-UB-10	2 X 3-1/2	73.30
JIC-G109454	P-UB-9	2 X 3-1/2	58.13
JIC-G109456	P-UB-10	1-1/2 X 2-1/2	48.88
JIC-G109458	P-UB-10	1-1/2 X 2-1/2	39.08
JIC-G109460	P-UB-10	1-3/4 X 3	53.75
JIC-G109462	P-UB-9	1-3/4 X 3	60.57
JIC-G109465	P-UB-10	2 X 3-1/4	86.71
JIC-G109470	P-UB-9	1-3/4 X 3-1/2	64.23
JIC-G109471	P-UB-10	1-3/4 X 3-1/2	71.45
JIC-G109472	P-UB-10	1-1/2 X 3-1/2	67.56
JIC-G109475	P-UB-10	1-1/4 X 2-1/2	55.40
JIC-G109476	P-UB-10	1-1/4 X 2-1/2	53.26
JIC-G109484	P-UB-9	1-1/2 X 2-1/2	69.63
JIC-G109498	P-UB-9	2-1/2 X 4-1/2	140.04
JIC-G109499	P-UB-9	2-1/2 X 5	170.33
JIC-G109500	P-UB-9	3 X 6	219.14

REPLACEMENT KITS FOR CASE EQUIPMENT

Kit Number	Code (Pg. 14)	Rod X Bore Size	List Price
JIC-G109501	P-UB-9	2-1/4 X 5	\$141.83
JIC-G109502	P-U-9	3 X 5	145.86
JIC-G109503	P-U-10	2-1/2 X 4-1/2	81.82
JIC-G109504	P-UB-10	2-1/2 X 3-1/2	72.36
JIC-G109505	P-UB-10	2-1/4 X 4	77.75
JIC-G110045	P-U-10	1-1/2 X 2-3/4	104.59
JIC-G110046	P-UB-10	2-1/2 X 3-1/2	71.73
JIC-G110047	P-UB-10	1-1/4 X 2-3/4	68.05
JIC-G110048	P-UB-10	1-1/4 X 3	50.94
JIC-G110049	P-UB-10	1-3/4 X 3	64.18
JIC-G110050	P-UB-10	1-1/2 X 3	56.63
JIC-G110053	P-UB-10	1-3/4 X 3-1/4	58.86
JIC-G110055	P-UB-10	1-1/4 X 2-1/2	83.53
JIC-G110526	P-UB-10	3 X 6	150.66
JIC-G110537	P-UB-10	2 X 4-1/4	88.80
JIC-G110582	P-UB-10	2-1/2 X 5	86.87
JIC-G110583	P-UB-10	2-1/4 X 5	222.75
JIC-G110621	P-UB-10	1-3/4 X 3-1/2	66.83
JIC-G32184	P-U-9	2-1/2 X 5	114.85
JIC-G32228	P-U-9	1-3/4 X 3-1/2	66.32
JIC-G32293	P-U-9	2 X 3-1/2	67.16
JIC-G32294	P-U-9	1-1/2 X 2-1/2	59.94
JIC-G32295	P-U-9	1-1/4 X 2-1/2	75.31
JIC-G32299	P-U-9	2 X 4	86.57
JIC-G32616	P-U-9	2 X 4	83.25
JIC-G32617	P-U-9	1-3/4 X 4	86.72
JIC-G32668	P-U-9	3 X 5	127.83
JIC-G32695	P-U-9	2 X 4-1/2	126.28
JIC-G32696	P-U-9	2-1/4 X 5	125.50
JIC-G33823	P-U-9	2-1/2 X 5-1/2	136.71
JIC-G34334	P-U-9	3 X 5	157.63
JIC-G34335	P-U-9	2 X 4	88.37
JIC-G34594	P-U-9	2 X 4	89.41
JIC-G34622	P-U-9	1-3/4 X 3-1/2	74.31
JIC-G34624	P-U-9	1-3/4 X 3-1/2	71.45
JIC-G34626	P-U-9	1-3/4 X 4	89.90
JIC-G34631	P-U-9	1-3/4 X 3-1/2	71.45
JIC-G34636	P-U-9	2-1/4 X 4	99.92
JIC-G34643	P-U-9	1-3/4 X 3	76.59
JIC-G34646	P-U-9	1-1/2 X 3.5	64.30
JIC-G34648	P-U-9	2 X 3-1/2	80.90
JIC-G34652	P-U-9	1-1/2 X 3-1/2	65.37
JIC-G34655	P-U-9	1-3/4 X 3-1/2	67.16
JIC-G34656	P-U-10	1-1/2 X 3	60.02
JIC-G34807	P-U-10	1 X 2-1/2	27.50
JIC-G34819	P-U-10	1-1/4 X 2-1/8	39.45

Kit Number	Code (Pg. 14)	Rod X Bore Size	List Price
JIC-G34827	P-U-9	2-1/4 X 4	\$ 99.92
JIC-G35374	P-U-10	1 X 3	41.91
JIC-G35378	P-U-10	1 X 2-1/2	26.52
JIC-H52704	P-OB-3	1 X 2	26.83
JIC-H53041	P-OB-1	2-3/4 Rod Kit	36.44
JIC-H673837	P-U-10	1-3/8 X 3	128.70
JIC-LQU0245	P-UB-10	70 X 100 mm	216.23
JIC-LZ00361	P-UB-10	85 X 120 mm	220.81
JIC-LZ00440	P-UB-10	115 X 170 mm	499.36
JIC-LZ00442	P-UB-10	90 X 125 mm	259.94
JIC-LZ00443	P-UB-10	105 X 145 mm	231.28
JIC-LZ00444	P-UB-10	90 X 130 mm	250.50
JIC-LZ00445	P-UB-10	85 X 120 mm	224.28
JIC-LZ00446	P-UB-10	95 X 135 mm	192.97
JIC-LZ00447	P-UB-10	80 X 115 mm	154.83
JIC-LZ00448	P-UB-10	70 X 105 mm	199.23
JIC-LZ00449	P-UB-10	80 X 115 mm	181.28
JIC-LZ00450	P-UB-10	65 X 95 mm	129.64
JIC-LZ00451	I-UB-10	80 X 115 mm	188.36
JIC-LZ00452	P-UB-10	90 X 125 mm	308.89
JIC-LZ00453	P-UB-10	75 X 105 mm	188.29
JIC-LZ00455	P-UB-10	75 X 105 mm	233.95
JIC-LZ00456	P-UB-10	65 X 120 mm	115.80
JIC-LZ00457	P-UB-10	70 X 110 mm	122.36
JIC-LZ00469	P-UB-10	55 X 95 mm	229.30
JIC-LZ00470	P-UB-10	55 X 85 mm	146.11
JIC-LZ00471	P-U-10	60 X 100 mm	278.57
JIC-LZ00472	P-U-10	45 X 80 mm	211.53
JIC-LZ00473	P-UB-10	55 X 85 mm	183.26
JIC-LZ00474	P-U-10	45 X 80 mm	197.19
JIC-LZ00476	P-UB-10	105 X 150 mm	704.28
JIC-LZ00477	P-UB-10	100 X 145 mm	519.49
JIC-LZ00478	P-UB-10	120 X 170 mm	578.83
JIC-LZ00482	P-UB-10	105 X 150 mm	211.36
JIC-LZ00483	P-UB-10	100 X 145 mm	188.44
JIC-LZ00484	P-UB-10	120 X 170 mm	578.83
JIC-LZ00522	P-UB-10	70 X 95 mm	407.88
JIC-LZ00533	P-UB-10	90 X 130 mm	483.14
JIC-LZ00539	P-UB-10	75 X 100 mm	277.69
JIC-LZ007300	P-UB-14	100 X 145 mm	581.15
JIC-LZ007310	P-UB-14	105 X 150 mm	555.01
JIC-LZ007320	P-UB-10	120 X 170 mm	550.33
JIC-LZ007630	P-UB-10	85 X 120 mm	197.17
JIC-LZ007640	P-UB-10	100 X 140 mm	255.79
JIC-LZ007650	P-UB-10	85 X 120 mm	189.48
JIC-LZ008100	P-UB-10	80 X 115 mm	189.41

REPLACEMENT KITS FOR CASE EQUIPMENT

CASE

Kit Number	Code (Pg. 14)	Rod X Bore Size	List Price
JIC-LZ008180	P-UB-10	90 X 125 mm	\$ 233.51
JIC-LZ008210	P-UB-10	75 X 105 mm	200.06
JIC-LZ008750	P-UB-10	65 X 95 mm	172.87
JIC-LZ010710-D	P-UB-10	65 X 95 mm	172.87
JIC-LZ010750	P-UB-10	70 X 105 mm	159.64
JIC-LZ010810	P-UB-10	75 X 105 mm	200.06
JIC-LZ010870	P-UB-10	80 X 115 mm	189.41
JIC-LZ010930	P-UB-10	85 X 120 mm	197.17
JIC-LZ010940	P-UB-10	85 X 120 mm	189.48
JIC-LZ011000-D	P-UB-10	90 X 125 mm	233.51
JIC-LZ011200	P-UB-10	100 X 140 mm	255.79
JIC-LZ011260	P-UB-10	105 X 145 mm	252.13
JIC-LZ011310	P-UB-10	105 X 150 mm	404.88
JIC-LZ011480	P-U-10	70 X 115 mm	307.93
JIC-LZ012090	P-UB-10	100 X 145 mm	474.05
JIC-LZ012100	P-UB-10	120 X 170 mm	689.87
JIC-LZ012110	P-UB-10	105 X 150 mm	575.01
JIC-LZ012020	P-UB-10	75 X 115 mm	253.61
JIC-LZ012030	P-UB-10	55 X 95 mm	195.59
JIC-LZ012050	P-U-10	70 X 110 mm	104.36
JIC-LZ017220	P-UB-10	75 X 115 mm	253.61
JIC-MMV80090	P-UB-10	105 X 150 mm	208.28
JIC-MMV80160	P-UB-10	90 X 130 mm	203.65
JIC-MMV80200	P-UB-10	90 X 125 mm	185.07
JIC-MMV80210	P-UB-10	80 X 115 mm	293.35
JIC-MMV80220	P-UB-10	75 X 105 mm	140.58
JIC-MMV80240	P-UB-10	65 X 95 mm	356.41
JIC-N14638	P-U-10	1 X 2	56.63
JIC-N14639	P-U-10	1-1/4 X 2	69.45
JIC-PH01V00006R100	P-U-10	45 X 90 mm	331.23
JIC-PS01V00001R300	N-N-10	100 mm	178.85
JIC-PS01V00001R400	I-U-1	55 mm	189.60
JIC-PS01V00002R300	N-N-10	90 mm	154.59
JIC-PS01V00002R400	P-U-1	50 mm	474.61
JIC-PS01V00003R300	N-N-10	75 mm	114.47
JIC-PS01V00003R400	P-U-1	45 mm	176.48
JIC-PS01V00004R300	N-N-10	90 mm	160.02
JIC-PS01V00004R400	P-U-1	50 mm	419.46
JIC-PW01V000062R300	P-U-10	45 X 80 mm	198.89

Kit Number	Code (Pg. 14)	Rod X Bore Size	List Price
JIC-PY01V00050R300	P-U-10	55 X 90 mm	\$ 252.35
JIC-PY01V00054R300	P-U-10	55 X 100 mm	304.31
JIC-PW01V00043R300	P-U-10	50 X 85 mm	160.10
JIC-PW01V00046R300	P-U-10	45 X 90 mm	154.80
JIC-PW01V00048R300	P-U-10	45 X 80 mm	113.59
JIC-PX01V00030R300	P-U-10	50 X 85 mm	270.63
JIC-PX01V00033R300	P-U-10	45 X 90 mm	185.56
JIC-PX01V00045R300	P-U-10	45 X 80 mm	105.40
JIC-S300163	I-U-10	2 X 4	38.66
JIC-S301013	I-U-10	2-1/2 X 5	98.28
JIC-S301442	I-U-10	2 X 4	58.65
JIC-S92713	P-U-9	2-1/2 X 5	124.35
JIC-S92714	P-U-9	2-1/2 X 5-1/2	137.11
JIC-S92724	P-U-9	2-3/4 X 5-1/2	176.22

REPLACEMENT PARTS FOR CASE EQUIPMENT

Repair parts for Case are available online at www.HerculesUS.com or by contacting the Hercules Sales Team at the information provided below.

Scan the QR code for quick access.



REPLACEMENT SEAL KITS FOR CATERPILLAR® EQUIPMENT*

Machine Type		Page
Agricultural Tractors	65, 65B, 75, 65C, 65D, 70C, 65E, 69D, 73D, 75C, 75D, 75E, 75G, 85C	99
Attachments	Hydraulic Hammers	99
Backhoe Loaders	415F2, 415F2 IL, 416B, 416C, 416D, 416E, 416F, 416F2, 420D, 420E, 420F/420F IT, 420F2/420F2 IT, 422E, 422F, 424D, 426B, 426C, 428B, 428C, 428D, 428E, 428F, 430D, 430E, 430F/430F IT, 430F2/430F2 IT, 432D, 432E, 432F, 434E, 434F, 436B, 436C, 438B, 438C, 438D, 442D, 442E, 444E, 444F, 446, 446B, 446D, 450E, 450F	100 - 141
Crawler Dozers	3P, 3S, 4S, 5A, 5S, 6, 6S, 7A, 7S, 7U, 7SU, 8A, 8B, 8D, 8R, 8S, 8U, 9B, 9R, 9S, 9U, D3G, D3K XL & LGP, D3K2 LGP, D3K2 XL, D4B, D4G, D4K XL & LGP, D4K2 LGP, D4K2 XL, D4L, D4TSKH, D5, D5E, D5G, D5H, D5K XL & LGP, D5K2 LGP, D5K2 XL, D5M, D5N, D5TSKH, D6, D6 XE, D6D, D6E, D6G, D6H, D6K LGP, D6K XL, D6K2, D6K2 LGP, D6K2 XL, D6M, D6N, D6R, D6T, D7 LGP, D7A, D7B, D7C, D7D, D7E, D7G, D7R, D8N, D8R, D8T, D9N, D9R, D9T, D10N, D10R, D10T, D11N, D11R, D11T	142 - 161
Crawler Loaders	93T, 931B, 931C, 933, 933C, 933E, 933F, 933G, 935B, 935C, 939, 939C, 941, 941B, 943, 943B, 951, 951B, 951C, 953B, 953C, 953D, 963B, 963C, 963D, 963K, 973C	161 - 170
Dump Trucks - Articulated Excavators	725, 730, 740, D25D, D30D, D35HP, D35HPC, D250D, D250E, D300B AG, D300B CANE H, D350D, D350D, D350E, D350E, D400, D400D, D400E	170 - 175
Excavators	245, 245B, 302.5, 302.5C, 303 C CR, 303.5, 303.5C CR, 303CR, 304 C CR, 304.5, 304CR, 305 C CR, 305CR, 307, 307B, 307C, 308B, 308C CR, 308D CR, 308D CR SB, 311, 311B, 311C U, 312, 312B, 312BL, 312C, 312CL, 312E, 313B, 313F L, 313F LGC, 314C LCR, 314D LCR, 314E CR, 314E LCR, 314E LCR, 315, 315B, 315B L, 315C, 315C L, 315D L, 315F LCR, 315L, 316E L, 316F L, 317, 317B, 317BL, 317N, 318B, 318BL, 318C, 318C L, 318C LN, 320, 320 GC, 320B, 320BL, 320C, 320C L, 320C LN, 320C LRR, 320C LU, 320C S, 320C U, 320D, 320D L, 320D LN, 320D LRR, 320D RR, 320E, 320E L, 320E LN, 320E LRR, 320E RR, 320F L, 320L, 320N, 320S, 321B, 321C LCR, 321D LCR, 322, 322B, 322BL, 322C, 322C FM LGP, 322C L, 322C LN, 322L, 322N, 323, 323 GC, 323F L, 324D L, 324E, 324E L, 324E LN, 325B, 325BL, 325C, 325C L, 325C LN, 325D, 325D L, 325D LN, 325F L, 325L, 326, 326F L, 326F LN, 328D LCR, 329D L, 329D LN, 329E, 329E L, 329E LN, 329F L, 329F LN, 330, 330B, 330BL, 330C, 330C L, 330C LN, 330D, 330D L, 330D N, 330F, 330F L, 330F LN, 330G, 330L, 335F L, 335F LCR, 336, 336D, 336D L, 336D LN, 336E H, 336E L, 336E LH, 336E LN, 336E LNH, 336F L, 345B, 345BL, 345C, 345C L, 345D L, 349E, 349E L, 349E L VG, 349F L, 350, 350, 350L, 365, 365B, 365C L, 365C L MH, 374F L, 375, 375L, 385B, 385B L, 385C, 385C FS, 385C L, 5110B, 5130, 5130B	175 - 284
Excavators - Compact	301.7 CR, 301.7D CR, 302.7D, 303.5E CR, 303.5E2, 303.5E2 CR, 303E CR, 304E, 304E2, 304E2 CR, 305.5E, 305.5E2, 305.5E2 CR, 305E, 305E2, 305E2 CR, 306 CR, 308 CR, 308E, 308E CR, 308E2 CR, 309 CR, 310	284 - 304
Excavators - Front-Shovel	5080, 5110, 5230, 5230B	304
Excavators - Wheel	M315, M316, M318, M320	304 - 305
Forestry - Excavators	568 FM LL	305 - 306
Forestry - Forwarders	554, 564, 574, 574B	306
Forestry - Industrial Tractors	TK371, TK381	306
Forestry - Knuckle Boom Loaders	539	307
Forestry - Track Feller Bunchers	511, 521, 521B, 522, 522B, 532, 541, 541 II, 551, 552, 552 II, 1090, 1190, 1190T, 1290T, 1390, 2290, 2390, 2391, 2491, 2590, TK711, TK721, TK722, TK732, TK741, TK751, TK752	307 - 318
Forestry - Track Skidder/ Grappler Skidders	517, 527	318
Forestry - Track Skidders	D5H	319
Forestry - Tree Harvesters	550, 550B, 560B, 570, 570B, 580, 580B	319 - 321
Forestry - Wheel Feller Bunchers	533, 543, 553C, 563C, 563D, 573C, 573D, TK370, TK380	321 - 324
Forestry - Wheel Skidders	515, 525, 525B, 525C, 525D, 535B, 535C, 535D, 545, 545C, 545D	325 - 328
Integrated Toolcarriers	IT12F, IT14F, IT14G, IT24F, IT28F, IT28G, IT38F, IT38G, IT62G	328 - 332
Landfill Compactors	816, 816B, 816F, 826B, 826C, 826G, 836, 836C	332 - 333
Loaders - Skid Steer	226, 226B, 226B2, 226B3, 226D, 226D3, 232D3, 236, 236B, 236B2, 236B3, 236D, 236D3, 242, 242B, 242B2, 242D, 242D3, 246, 246B, 246C, 246D, 246D3, 252B, 252B2, 252B3, 262, 262B, 262C, 262C2, 262D, 262D3, 268B, 272C, 272D, 272D XHP, 272D2, 272D2 XHP, 272D3, 272D3 XE, 272D3 XHP	333 - 355

Continued on Next Page

Machine Type

Page

Loaders - Track Skid Steer	232B, 232B2, 232D, 239D, 239D3, 247B, 247B2, 247B3, 249D, 249D3, 257B, 257B2, 257B3, 257D, 257D3, 259B3, 259D, 259D3, 267B, 272D, 272D XHP, 277B, 277C, 277C2, 279C, 279C2, 279D, 279D3, 287B, 287C, 287C2, 287D, 289C, 289C2, 289D, 289D3, 297C, 297D, 297D XHP, 297D2, 297D2 XHP, 299C, 299D, 299D XHP, 299D2, 299D2 XHP, 299D3, 299D3 XE, 299D3 XHP	355 - 383
Loaders - Wheel	902, 904, 906, 906H2, 906M, 908, 908H2, 908M, 910E, 910F, 914, 914G, 924, 924F, 924G, 924Gz, 924H, 924Hz, 924K, 926, 926E, 926M, 928F, 928G, 928Hz, 930G, 930H, 930K, 930M, 930R, 930T, 936F, 938F, 938G, 938H, 938K, 938M, 944, 944A, 950 GC, 950B, 950E, 950F, 950G, 950H, 950K, 950M, 960F, 960G, 962G, 962M, 962M Z, 966, 966E, 966F, 966G, 966H, 966K, 966M, 970F, 972G, 972H, 972K, 972M, 972M XE, 980F, 980G, 980H, 980K, 980M, 982M, 988F, 988G, 988H, 988K, 988K XE, 990, 992D, 992G, 992K, 994D, R1300, R1300G, R1600, R1600G, R1700, R1700G	383 - 409
Motor Graders	12G, 12H, 12M, 12M2, 12M3, 14G, 14H, 14M, 16G, 16H, 16M, 24H, 112E, 112F, 120, 120G, 120H, 120M, 120M2, 130G, 135H, 140G, 140H, 143H, 140M, 140M2, 140M3, 160H, 163H	409 - 428
Off-Highway Trucks	768C, 769C, 769D, 770, 771C, 771D, 772B, 772E, 773B, 773D, 773E, 773F, 773G, 775, 775B, 775D, 775E, 775F, 775G, 776C, 776D, 777C, 777D, 777F, 777G, 783B, 784B, 784C, 785, 785B, 785C, 785C, 785D, 786, 787B, 789, 789B, 789C, 789D, 793, 793B, 793C, 793D, 797, 797B, 797F	428 - 437
Pipelayers	572G, 583R, 583T, 587R, 587T, 589, 591, MD7, MD8, MDW8, PL61, PL83, PL87	438
Scrapers	611, 613C II, 613G, 613SC, 615C II, 615SC, 621F, 621G, 621H, 621SC, 623F, 623F, 623G, 623G, 623H, 623SC, 623SCG, 627F, 627G, 627H, 627SC, 630, 630SC, 631E II, 631G, 631SC, 633B, 633E, 633E II, 633SC, 637B, 637E II, 637G, 637SC, 639SC, 641SC, 651C, 651E, 651SC, 657E, 657G, 657SC, 660SC, 666SC	439 - 455
Skidders	515, 525, 517, 518C, 520D, 522C, 520C, 525B, 527, 528B, 530B, 535B, 545, FB508, FB518	455 - 456
Soil Compactors	815, 815B, 815F, 815S, 825, 825B, 825C, 825G, 835	456 - 458
Telehandlers	TH62, TH63, TH82, TH83, TH355B, TH360B, TL642, TL943, TL1055, TL1255	458 - 463
Wheel Dozers	814, 814B, 814F, 814S, 824, 824B, 824C, 824S, 834S, 834U, 830M, 834, 834B, 834C	463 - 466
Alpha-Numeric Kit Listing		466 - 492
Caterpillar Assortment Kits		493
Caterpillar Individual Parts		Found Online
Caterpillar Nylon Insert Locking Nuts		495
Caterpillar Duo Cone Seals		496
Caterpillar Towmotor Lift Truck Kits		497

The following models are available online at www.HerculesUS.com or by calling your regional sales team.

Backhoe Loaders	416, 426, 428, 436, 438
Crawler Dozers	D10, D2, D3, D3 LGP, D3B, D3C, D4C, D4D, D4E, D4H, D5, D5B, D5C, D6, D6 LGP, D6B, D6C, D7, D7F, D7H, D8, D8H, D8K, D8L, D9D, D9G, D9H, D9L
Crawler Loaders	953, 955, 963, 973, 977, 983, 955C, 955E, 955F, 955H, 955K, 955L, 977D, 977H, 977K, 977L
Dump Trucks - Articulated	D250B, D25C, D300B, D30C, D350B, D350C, D35C, D40D
Excavators	215, 215B, 215C, 215D, 219, 219D, 225, 225B, 225D, 227, 229, 229D, 231D, 235, 235 FS, 235B, 235C, 235C FS, 235D, 245, 245 FS, 245B FS, 245D, 325, 325N, 330, E70B, E110, E110B, E120, E120B, E180, EL 180, E200B, EL200B, E240, EL240, E240B, EL240B, E300, EL300, E300B, EL300B
Integrated Toolcarriers	IT12, IT12B, IT14B, IT14C, IT18, IT18B, IT18F, IT28, IT28B
Loaders - Wheel	910, 916, 920, 930, 936, 950, 980, 988, 980C, 988B, 992, 992B, 918F, 936E, 950E, 950F, 966A, 966B, 966C, 966D, 966R, 980B, 992C, G910, G916, G926, G936
Motor Graders	12, 12E, 12F, 14, 14D, 14E, 16, 112, 120B, 140, 140B, 160G
Off-Highway Trucks	768, 768B, 769, 769B, 772, 773, 776, 776B, 777, 777B
Pipelayers	561B, 561C, 561D, 571A, 571F, 571G, 572C, 572C, 572D, 572E, 572F, 578, 583, 583H, 583K, 594, 594H
Scrapers	613, 613B, 613C, 615, 615C, 621, 621B, 621E, 621R, 621S, 623, 623B, 623E, 627, 627B, 627E, 630B, 631, 631B, 631C, 631D, 631E, 632, 633, 633C, 633D, 637, 637D, 637E, 639D, 641, 641B, 650, 650B, 651B, 651, 657, 657B, 660, 660B, 666, 666B, J621
Skidders	508, 518, 528

*All manufacturer's names, part numbers and descriptions are used for reference purposes only. We do not imply that any part shown is the product of these manufacturers. We also do not imply that the list price shown is exactly that of the manufacturer.

REPLACEMENT KITS FOR CATERPILLAR® EQUIPMENT

Agricultural Tractors							
APPLICATION	CYL #	Misc-Parts, Instructions, etc.	CODE	ROD	BORE	KIT #	List \$
MODEL 65, 65B, 75							
LIFT							
	9T2230		P-UB-10	2	4	CTC-1328816	148.39
	9T9517		P-UB-10	2	4	CTC-1328816	148.39
MODEL 65C, 65D, 70C							
LIFT							
	9T9517		P-UB-10	2	4	CTC-1328816	148.39
MODEL 65E							
LIFT							
	9T9517		P-UB-10	2	4	CTC-1328816	148.39
MODEL 69D							
STEERING							
	1100532		P-UB-10	2	3	CTC-7X2760	112.74
	9J1287		P-UB-10	2-3/8	3-3/4	CTC-7X2808	129.01
TENSIONER							
	4T4168		I-SP-10	4,6-1/2	5-3/4	CTC-8T4772	503.20
	9J4149		I-SP-10	4,6-1/2	5-3/4	CTC-8T4772	503.20
MODEL 73D							
LIFT							
	1163092		P-UB-3	7	8	CTC-1137478	1048.73
STEERING RH							
	7J7686		P-UB-10	2-3/8	4	CTC-8T1389	76.19
TENSIONER							
	1455155		I-SP-10	5,7-1/2	8-1/4	CTC-8T9042	728.16
	9J2017		I-SP-10	5,7-1/2	8-1/4	CTC-8T9042	728.16
	9T3122		I-SP-10	5,7-1/2	8-1/4	CTC-8T9042	728.16
UNSPECIFIED APPLICATION							
	1162837		P-U-3	7	8-1/2	CTC-1417296	437.25
	1U4777		P-UB-3	7	8	CTC-1137478	1048.73
	9T6081		P-U-3	7	8-1/2	CTC-1417296	437.25
	9T7204		N-N-10		2	CTC-6E4057	34.22
MODEL 75C							
LIFT							
	9T9517		P-UB-10	2	4	CTC-1328816	148.39
MODEL 75D, 75E, 75G, 85C							
LIFT							
	9T9517		P-UB-10	2	4	CTC-1328816	148.39
Attachments							
APPLICATION	CYL #	Misc-Parts, Instructions, etc.	CODE	ROD	BORE	KIT #	List \$
MODEL Hydraulic Hammers							
63							
	4GL1-121		I-U-1	63 mm		CTC-1094745	176.60
H63							
	4GL122-		I-U-1	63 mm		CTC-1094745	176.60
H63S							
	4GL122-		I-U-1	63 mm		CTC-1094745	176.60
H90C							
	6TZ1-		I-U-1	80 mm		CTC-1508828	374.91
H90CS							
	6TZ1-		I-U-1	80 mm		CTC-1508828	374.91

REPLACEMENT KITS FOR CATERPILLAR® EQUIPMENT

Backhoe Loaders							
APPLICATION	CYL #	Misc-Parts, Instructions, etc.	CODE	ROD	BORE	KIT #	List \$
MODEL 415F2							
BACKHOE BOOM							
HWA1-UP							
	2107074		P-UB-10	2-1/4	4-1/2	CTC-2959891	101.50
BACKHOE BUCKET							
HWA1-UP							
	4495429		P-U-10	60 mm	90 mm	CTC-5212974	132.60
	5107951		P-U-10	60 mm	90 mm	CTC-5212974	132.60
COUPLER							
HWA1-UP							
	3611139		I-U-15	3/4	1-1/4	CTC-3611131	66.36
	4555975		I-U-15	3/4	1-1/4	CTC-3611131	66.36
LIFT LH							
HWA1-UP							
	3585034		I-U-10	50 mm	80 mm	CTC-3240356	130.67
	5107944		P-U-10	50 mm	80 mm	CTC-5016702	122.41
LIFT RH							
HWA1-UP							
	3585035		I-U-10	50 mm	80 mm	CTC-3240356	130.67
	5107945		P-U-10	50 mm	80 mm	CTC-5016702	122.41
LOADER BUCKET MP							
HWA1-UP							
	2265540		I-U-10	1-1/2	3	CTC-2309357	88.69
STABILIZER LH							
HWA1-UP							
	2912681		P-UB-10	55 mm	100 mm	CTC-3975181	131.76
	2912681		Bushing	55 mm		CTC-2332614	27.98
STABILIZER RH							
HWA1-UP							
	2912682		P-UB-10	55 mm	100 mm	CTC-3975181	131.76
	2912682		Bushing	55 mm		CTC-2332614	27.98
STICK							
HWA1-UP							
	2107078	Grade Control	P-UB-10	2-1/4	4-1/4	CTC-3809470	89.96
	2107098	Extendable	P-UB-10	1-1/2	3	CTC-3387156	65.04
SWING LH							
HWA1-UP							
	3815055		P-UB-10	50 mm	100 mm	CTC-3779352	107.52
	3815055		Bushing	50 mm		CTC-2332613	23.00
SWING RH							
HWA1-UP							
	3818054		P-UB-10	50 mm	100 mm	CTC-3779352	107.52
	3818054		Bushing	50 mm		CTC-2332613	23.00
THUMB							
HWA1-UP							
	2754243		I-U-10	50 mm	70 mm	CTC-2764172	75.16
TILT							
HWA1-50176							
	3585044		I-U-10	50 mm	90 mm	CTC-3556294	129.32
HWA1-UP							
	5107946		P-U-10	50 mm	90 mm	CTC-5212972	124.09
HWA50177-UP							
	3585044		P-U-10	50 mm	90 mm	CTC-5212972	124.09
MODEL 415F2 IL							
BLADE							
PF41-UP							
	4645078		P-U-10	1-1/8	3	CTC-4781592	82.93

REPLACEMENT KITS FOR CATERPILLAR® EQUIPMENT

Backhoe Loaders							
APPLICATION	CYL #	Misc-Parts, Instructions, etc.	CODE	ROD	BORE	KIT #	List \$
MODEL 415F2 IL							
BUCKET MP							
	PF41-UP						
	2265540		I-U-10	1-1/2	3	CTC-2309357	88.69
LIFT							
	PF41-UP						
	4636991		I-U-1	2		CTC-4837796	81.72
	4636991		N-N-10		3	CTC-4799627	69.45
	4636991		Unitized Piston		3	CTC-4792525	179.33
LOADER LIFT LH							
	PF41-528						
	3585034		I-U-10	50 mm	80 mm	CTC-3240356	130.67
	PF4529-UP						
	5107944		P-U-10	50 mm	80 mm	CTC-5016702	122.41
LOADER LIFT RH							
	PF41-528						
	3585035		I-U-10	50 mm	80 mm	CTC-3240356	130.67
	PF4529-UP						
	5107945		P-U-10	50 mm	80 mm	CTC-5016702	122.41
LOADER TILT							
	PF41-528						
	3585044		P-U-10	50 mm	90 mm	CTC-5212972	124.09
	PF41-UP						
	3585044		I-U-10	50 mm	90 mm	CTC-3556294	129.32
	5107948		P-U-10	50 mm	90 mm	CTC-5212972	124.09
PITCH							
	PF41-UP						
	4821475		I-U-1	1-1/2		CTC-4787027	56.57
	4821475		N-N-10		3	CTC-4799627	69.45
	4821475		Unitized Piston		3	CTC-4792525	179.33
TILT							
	PF41-UP						
	4636990		I-U-1	1-1/2		CTC-4787027	56.57
	4636990		N-N-10		3	CTC-4799627	69.45
	4636990		Unitized Piston		3	CTC-4792525	179.33
MODEL 416B							
BACKHOE BOOM							
	6E0274		P-UB-10	2-3/8	4-1/2	CTC-3E8877	250.48
BACKHOE BUCKET							
	1268308		I-UB-10	2-1/2	3-1/2	CTC-3E3299	178.67
	6E0275		I-UB-10	2-1/2	3-1/2	CTC-3E3299	178.67
BACKHOE EXT BUCKET							
	6E1964		I-UB-10	2-1/2	3-1/2	CTC-3E3299	178.67
BACKHOE STICK							
	1065694	Rod Bearing width- 1.25"	P-UB-10	2-1/2	4-1/2	CTC-1469860	244.85
	1097020		P-UB-10	2-1/2	4-1/2	CTC-1113300	218.49
	1097021		P-UB-10	2-1/2	4-1/2	CTC-1113300	218.49
	6E0290	Rod Bearing width- 1.25"	P-UB-10	2-1/2	4-1/2	CTC-1469860	244.85
	6E0404		P-UB-10	1-1/2	3	CTC-7X2737	173.75
BACKHOE SWING							
	1166861		P-UB-10	2	4	CTC-1113302	190.32
	6E0288		P-UB-10	2	4	CTC-1113302	190.32
	6E1864		P-UB-10	2	4	CTC-1328816	148.39
LOADER BUCKET MP							
	9T4006		P-UB-10	1-1/2	3	CTC-7X2737	173.75
LOADER LIFT							
	9T0415		P-UB-10	1-7/8	3-1/4	CTC-3E3297	157.69

CATERPILLAR®

REPLACEMENT KITS FOR CATERPILLAR® EQUIPMENT

Backhoe Loaders							
APPLICATION	CYL #	Misc-Parts, Instructions, etc.	CODE	ROD	BORE	KIT #	List \$
MODEL 416B							
LOADER TILT							
	6E0105		P-UB-10	1-7/8	3-1/4	CTC-3E3297	157.69
	9T5490		P-UB-10	1-7/8	3-1/4	CTC-3E3297	157.69
STABILIZER							
	1052323		P-UB-10	2-1/8	4	CTC-1305923	218.57
	1052358		P-UB-10	2-1/8	4	CTC-1305923	218.57
	9T2993		P-UB-10	2-1/8	4	CTC-9X2400	190.64
	9T2994		P-UB-10	2-1/8	4	CTC-9X2400	190.64
STABILIZER LH							
	1165354		P-UB-10	2-1/8	4	CTC-8T3593	113.57
	1302364		P-UB-10	2-1/8	4	CTC-1305923	218.57
	6E0097		P-UB-10	2-1/8	4	CTC-1305923	218.57
STABILIZER RH							
	1165353		P-UB-10	2-1/8	4	CTC-1305923	218.57
	1302365		P-UB-10	2-1/8	4	CTC-1305923	218.57
	6E0099		P-UB-10	2-1/8	4	CTC-1305923	218.57
STEERING							
	6E5190		P-UB-10	1-7/8	3	CTC-1113301	209.58
UNSPECIFIED APPLICATION							
	1070624		P-UB-10	1-7/8	3-1/4	CTC-3E3297	157.69
	1070625		P-UB-10	1-7/8	3-1/4	CTC-3E3297	157.69
	1165354		P-UB-10	2-1/8	4	CTC-1305923	218.57
MODEL 416C							
BACKHOE BOOM							
	6E0274		P-UB-10	2-3/8	4-1/2	CTC-3E8877	250.48
	1AR1-UP; 1BR1-UP; 1KR1-UP; 1LR1-UP; 1WR1-8115; 1XR1-415,684-2183; 4ZN1-16043; 5YN1-15147						
	6E0274		P-UB-10	2-3/8	4-1/2	CTC-1945583	130.60
BACKHOE BUCKET							
	1268308		I-UB-10	2-1/2	3-1/2	CTC-3E3299	178.67
	1AR1-UP; 1BR1-UP; 1KR1-UP; 1LR1-UP; 1WR1-UP; 1XR1-2249; 4ZN1-UP; 5YN1-16589						
	1268308		I-UB-10	2-1/2	3-1/2	CTC-1864327	114.03
	1XR2250-UP; 5YN16590-UP						
	1668140		I-UB-10	2-3/4	3-3/4	CTC-1361990	263.22
BACKHOE EXT BUCKET							
	6E1964		I-UB-10	2-1/2	3-1/2	CTC-3E3299	178.67
	1AR1-UP; 1BR1-UP; 1KR1-UP; 1LR1-UP; 1WR1-UP; 1XR1-2249; 4ZN1-UP; 5YN1-16589						
	6E1964		I-UB-10	2-1/2	3-1/2	CTC-1864327	114.03
	1XR2250-UP; 5YN16590-UP						
	1668141		I-UB-10	2-3/4	3-3/4	CTC-1361990	263.22
BACKHOE EXT STICK							
	1AR1-UP; 1BR1-UP; 1KR1-UP; 1LR1-UP; 1WR1-8115; 1XR1-UP; 4ZN1-16043; 5YN1-16589						
	6E0404		P-UB-10	1-1/2	3	CTC-1856583	73.27
	1WR8116-UP; 1XR2184-UP; 4ZN16044-UP; 5YN16590-UP						
	1647174		P-UB-10	1-1/2	3	CTC-1856583	73.27
BACKHOE STICK							
	1097020		P-UB-10	2-1/2	4-1/2	CTC-1113300	218.49
	6E0404		P-UB-10	1-1/2	3	CTC-7X2737	173.75
	1AR1-UP; 1BR1-UP; 1KR1-UP; 1LR1-UP; 1WR1-UP; 1XR1-2183; 4ZN1-16043; 5YN1-15147						
	1097020		P-UB-10	2-1/2	4-1/2	CTC-1113300	218.49
	1WR10495-UP; 1XR2258-UP; 4ZN16044-UP; 5YN16590-UP						
	1843709		P-UB-10	2-1/2	4-1/2	CTC-2435805	117.64
	1WR8116-UP; 1XR2184-UP; 4ZN16044-UP; 5YN15148-UP						
	1692967		P-UB-10	2-1/2	4-1/2	CTC-1864362	116.86
BACKHOE SWING							
	1166857		P-UB-10	2	4	CTC-1113302	190.32

REPLACEMENT KITS FOR CATERPILLAR® EQUIPMENT

Backhoe Loaders							
APPLICATION	CYL #	Misc-Parts, Instructions, etc.	CODE	ROD	BORE	KIT #	List \$
MODEL 416C							
BACKHOE SWING							
1AR1-UP; 1BR1-438; 1BR649-UP; 1KR1-UP; 1LR1-UP; 1WR1-UP; 1XR1-2183; 4ZN1-16043; 5YN1-15147							
	1166861		P-UB-10	2	4	CTC-1857686	145.93
1WR8116-UP; 1XR2184-UP; 4ZN16044-UP; 5YN15360-UP							
	1699529		P-UB-10	2	4	CTC-1113302	190.32
COUPLER							
1KR1-UP; 1LR1-UP; 1WR1-UP; 1XR1-UP							
	9T8823		I-U-3	1	2	CTC-9T0418	146.42
1WR8116-UP							
	1783713		I-U-10	1	2	CTC-1809872	188.66
LOADER BUCKET MP							
	9T4006		P-UB-10	1-1/2	3	CTC-7X2737	173.75
1AR1-UP; 1BR1-UP; 1KR1-UP; 1LR1-UP; 1WR1-UP; 1XR1-UP; 4ZN16044-UP; 5YN1-15147; 5YN16590-UP							
	1851839		P-UB-10	1-1/2	3	CTC-1856583	73.27
1AR1-UP; 1BR1-UP; 1KR1-UP; 1LR1-UP; 1WR1-UP; 1XR1-UP; 4ZN1-UP; 5YN1-UP							
	9T4006		P-UB-10	1-1/2	3	CTC-1856583	73.27
1XR2250-UP							
	9T4006		P-UB-10	1-1/2	3	CTC-7X2737	173.75
LOADER LIFT							
1AR1-UP; 1BR1-UP; 4ZN1-16043; 5YN1-15147							
	6E0103		P-UB-10	1-7/8	3-1/4	CTC-1933088	140.15
	9T0415		P-UB-10	1-7/8	3-1/4	CTC-1933088	140.15
1AR1-UP; 1BR1-UP; 4ZN1-UP; 5YN1-UP							
	1070624		P-UB-10	1-7/8	3-1/4	CTC-1933088	140.15
1KR1-UP; 1WR1-UP							
	1235087		P-UB-10	2	3-1/2	CTC-2281778	124.32
1LR1-UP; 1XR1-UP							
	1110888		P-UB-10	2	3-1/2	CTC-1857674	164.74
	1235089		P-UB-10	2	3-1/2	CTC-1857674	164.74
LOADER TILT							
	6E0105		P-UB-10	1-7/8	3-1/4	CTC-3E3297	157.69
1AR1-UP; 1BR1-648; 4ZN1-16043; 5YN1-3799							
	6E0105		P-UB-10	1-7/8	3-1/4	CTC-1933088	140.15
	9T5370		P-UB-10	1-7/8	3-1/4	CTC-1933088	140.15
1AR1-UP; 1BR1-UP; 4ZN1-UP; 5YN1-UP							
	1070625		P-UB-10	1-7/8	3-1/4	CTC-1933088	140.15
1KR1-UP; 1LR1-UP; 1WR1-UP; 1XR1-UP							
	1235091		P-UB-10	2	3	CTC-1857667	135.46
1WR9975-UP; 1XR2250-UP							
	1835158		P-UB-10	2	3	CTC-1857667	135.46
STABILIZER							
1AR1-UP; 1BR1-UP; 1KR1-UP; 1LR1-UP; 1WR1-UP; 1XR1-2183; 4ZN1-16043; 5YN1-15147							
	1311846		P-UB-10	2-1/8	4	CTC-1935431	140.15
	1311847		P-UB-10	2-1/8	4	CTC-1935431	140.15
1WR8116-9103; 1XR2184-2249; 4ZN16044-UP; 5YN15148-16589							
	1521806		P-UB-10	2-1/8	4	CTC-1864404	159.35
1WR8116-UP; 1XR2184-2249; 4ZN16044-UP; 5YN15148-16589							
	1521796		P-UB-10	2-1/8	4	CTC-1864404	159.35
1WR8442-UP; 1XR2184-UP; 4ZN16044-UP; 5YN15148-UP							
	1731926		P-UB-10	2-1/8	4	CTC-1864404	159.35
	1731927		P-UB-10	2-1/8	4	CTC-1864404	159.35
STABILIZER LH							
	1311846		P-UB-10	2-1/8	4	CTC-1305923	218.57
	1521806		P-UB-10	2-1/8	4	CTC-1305923	218.57

CATERPILLAR®

REPLACEMENT KITS FOR CATERPILLAR® EQUIPMENT

Backhoe Loaders							
APPLICATION	CYL #	Misc-Parts, Instructions, etc.	CODE	ROD	BORE	KIT #	List \$
MODEL 416C							
STABILIZER RH							
	1311847		P-UB-10	2-1/8	4	CTC-1305923	218.57
	1521796		P-UB-10	2-1/8	4	CTC-1305923	218.57
STEERING							
	1156437		P-UB-10	1-3/4	2-1/2	CTC-1539054	181.05
UNSPECIFIED APPLICATION							
	1070624		P-UB-10	1-7/8	3-1/4	CTC-3E3297	157.69
	1070625		P-UB-10	1-7/8	3-1/4	CTC-3E3297	157.69
	1235087		P-UB-10	2	3-1/2	CTC-7X2783	164.74
	1235091		P-UB-10	2	3	CTC-7X2760	112.74
	9T8823		I-U-3	1	2	CTC-9T0418	146.42
MODEL 416D							
BACKHOE BOOM							
	BFP1-2532; BGJ1-UP; BKG1-537						
	6E0274		P-UB-10	2-3/8	4-1/2	CTC-2418924	121.58
	BFP1-5177						
	2063630		P-UB-10	2-3/8	4-3/4	CTC-2350973	159.96
	BFP1-UP; BGJ1-UP; BKG1-UP; B2D1-UP						
	2063628		P-UB-10	2-3/8	4-1/2	CTC-2350972	101.95
	BFP2533-5177; BGJ1-UP; BKG1-734						
	1917753		P-UB-10	2-3/8	4-1/2	CTC-2616885	131.33
BACKHOE BUCKET							
	BFP1-5177; BGJ1-522; BKG1-1523						
	1804849		I-UB-10	2-1/2	3-1/2	CTC-2235945	115.37
	BFP1-5177; BGJ1-522; BKG1-UP						
	1804239		I-UB-10	2-1/2	3-1/2	CTC-2235945	115.37
	BFP1-UP; BGJ1-UP; BKG1300-UP; B2D1-UP						
	2060514		I-UB-10	2-1/2	3-1/2	CTC-2235945	115.37
	2060518		I-UB-10	2-1/2	3-1/2	CTC-2235945	115.37
	BGJ1050-UP						
	1917839		I-UB-10	2-3/4	3-3/4	CTC-2315021	118.58
BACKHOE EXT STICK							
	BFP1-5177; BGJ1-408; BKG1-UP; B2D1-UP						
	1647174		P-UB-10	1-1/2	3	CTC-1856583	73.27
	BFP5178-UP; BGJ409-UP						
	1917725		P-UB-10	1-1/2	3	CTC-3809484	66.36
BACKHOE STICK							
	BFP1-5177; BGJ1-1049; BKG1-777						
	1843709		P-UB-10	2-1/2	4-1/2	CTC-2435805	117.64
	BFP2533-5177; BGJ1-1049; BKG777-2499						
	2060503		P-UB-10	2-1/2	4-1/2	CTC-2297194	88.26
	BFP5178-UP; BGJ1-UP; BKG2500-UP; B2D1-UP						
	2359829		P-UB-10	2-1/2	4-1/2	CTC-2297194	88.26
LOADER BUCKET MP							
	BFP12900-UP						
	2265540		I-U-10	1-1/2	3	CTC-2309357	88.69
	BFP1-UP; BGJ1-UP; BKG1-UP; CXP940-UP; B2D1-UP						
	1851839		P-UB-10	1-1/2	3	CTC-2350354	54.98
LOADER LIFT							
	BFP1-2491; BGJ1-UP						
	1070624		P-UB-10	1-7/8	3-1/4	CTC-2465926	70.71
	BFP12900-UP; BGJ1050-1140						
	2300979		P-U-10	1-7/8	3-1/4	CTC-2332628	221.71
	BFP1-UP; CXP1-UP; BGJ1-1049; BGJ1141-UP; BKG1-UP; B2D1-UP						
	2063549		P-UB-10	1-7/8	3-1/4	CTC-2094979	72.28

CATERPILLAR®

REPLACEMENT KITS FOR CATERPILLAR® EQUIPMENT

Backhoe Loaders							
APPLICATION	CYL #	Misc-Parts, Instructions, etc.	CODE	ROD	BORE	KIT #	List \$
MODEL 416D							
LOADER LIFT							
BFP2492-5177; BGJ1-522; BKG1-776; CXP1-939							
	1917843		P-UB-10	1-7/8	3-1/4	CTC-2094979	72.28
LOADER TILT							
BFP1-2491; BGJ1-522							
	1851851		P-UB-10	1-7/8	3-1/4	CTC-2465926	70.71
BFP1-UP; CXP1-UP; BGJ1-UP; BKG1-UP; B2D1-UP							
	2063553		P-UB-10	1-7/8	3-1/4	CTC-2094979	72.28
BFP2492-5177; BGJ1-522; BKG1-1299; CXP1-939							
	1924128		P-UB-10	1-7/8	3-1/4	CTC-2094979	72.28
STABILIZER							
B2D267-UP							
	2627050		P-UB-10	55 mm	100 mm	CTC-2332623	173.23
BFP13748-UP; BGJ1141-UP; B2D267-UP							
	2283499		P-UB-10	55 mm	100 mm	CTC-2332623	173.23
BFP13793-UP; BGJ1141-UP; B2D267-UP							
	2283500		P-UB-10	55 mm	100 mm	CTC-2332623	173.23
BFP1-5177; BGJ1-1049; BKG1-776							
	1807484		P-UB-10	2-1/8	4	CTC-2857486	130.29
	1807485		P-UB-10	2-1/8	4	CTC-2857486	130.29
BFP1-UP; BGJ1-1140; BKG1-UP; B2D1-266							
	2060520		P-UB-10	2-1/8	4	CTC-2857486	130.29
	2060522		P-UB-10	2-1/8	4	CTC-2857486	130.29
STEERING							
B2D1-UP; BFP12900-UP; BGJ1050-UP; BKG2500-UP							
	2145097		I-U-10	36 mm	65 mm	CTC-2152023	170.91
BFP1-12899; BGJ1-1049; BKG1-UP							
	1674235		P-UB-10	1-3/4	2-3/4	CTC-2350351	232.00
	1674235		P-UB-10	1-3/4	2-3/4	CTC-2350352	161.04
BFP1-9559; BGJ1-1049; CXP1-399							
	1787190		I-U-10	36 mm	65 mm	CTC-1787189	398.89
SWING							
BFP1-2461; BGJ1-1049							
	1699529		P-UB-10	2	4	CTC-3809482	116.23
BFP13793-UP; BGJ1141-UP; B2D267-UP							
	2283506		P-UB-10	50 mm	100 mm	CTC-2332622	99.54
BFP2492-UP; BGJ1-1140; BKG1-UP; B2D1-UP							
	1918161		P-UB-10	2	4	CTC-2618625	74.87
THUMB							
BFP12900-UP							
	2754243		I-U-10	50 mm	70 mm	CTC-2764172	75.16
MODEL 416E							
BACKHOE BOOM							
BWC1-UP; CBD1-UP; SHA1-UP							
	2107074		P-UB-10	2-1/4	4-1/2	CTC-2959891	101.50
BWC1-UP; SHA1-UP							
	2469885		P-UB-10	2-1/4	4-1/2	CTC-2469885K	97.96
BACKHOE BUCKET							
BWC1-UP; CBD1-UP; SHA1-UP							
	2107086		I-UB-10	2-3/8	85 mm	CTC-3651283	111.14
BWC1-UP; SHA1-UP							
	2107085		I-UB-10	2-3/8	85 mm	CTC-4158260	93.03
CBD1-UP							
	2107088		I-UB-10	2-1/2	3-1/2	CTC-3387038	53.65

REPLACEMENT KITS FOR CATERPILLAR® EQUIPMENT

Backhoe Loaders							
APPLICATION	CYL #	Misc-Parts, Instructions, etc.	CODE	ROD	BORE	KIT #	List \$
MODEL 416E							
BACKHOE EXT STICK							
BWC1-UP; CBD1-UP; SHA1-UP							
2107098			P-UB-10	1-1/2	3	CTC-3387156	65.04
BWC1-UP; SHA1-UP							
2107097			P-UB-10	1-1/2	3	CTC-3387156	65.04
BACKHOE STICK							
BWC1-UP; CBD1-UP; SHA1-UP							
2107078			P-UB-10	2-1/4	4-1/4	CTC-3809470	89.96
BWC1-UP; SHA1-UP							
2107077			P-UB-10	2-1/4	4-1/4	CTC-4158072	91.71
GRAPPLE							
CBD1-UP; SHA1-UP							
2754243			I-U-10	50 mm	70 mm	CTC-2764172	75.16
LOADER BUCKET MP							
BWC1-UP; CBD1-UP; SHA1-UP							
2265540			I-U-10	1-1/2	3	CTC-2309357	88.69
CBD1-UP							
1851839			P-UB-10	1-1/2	3	CTC-2350354	54.98
LOADER LIFT							
BWC1-UP; CBD1-UP; SHA1-UP							
2283508			P-U-10	1-7/8	3-1/4	CTC-2332628	221.71
LOADER TILT							
BWC1-UP; CBD1-UP; SHA1-UP							
2063553			P-UB-10	1-7/8	3-1/4	CTC-2342593	101.56
STABILIZER							
BWC1-UP; CBD1-5744; SHA1-UP							
2627049			P-UB-10	55 mm	100 mm	CTC-2332623	173.23
2627049			Bushing	55 mm		CTC-2332614	27.98
2627050			P-UB-10	55 mm	100 mm	CTC-2332623	173.23
2627050			Bushing	55 mm		CTC-2332614	27.98
SWING							
BWC1-UP; CBD1-5744; SHA1-UP							
2781971			P-UB-10	50 mm	100 mm	CTC-2332622	99.54
2781971			Bushing	50 mm		CTC-2332613	23.00
MODEL 416F							
BACKHOE BUCKET							
KSF1-UP; LWT1-UP							
2107088			I-UB-10	2-1/2	3-1/2	CTC-3387038	53.65
BOOM							
KSF1-UP; LWT1-UP							
2107074			P-UB-10	2-1/4	4-1/2	CTC-2959891	101.50
BUCKET MP							
KSF1-UP; LWT1-UP							
2265540			I-U-10	1-1/2	3	CTC-2309357	88.69
COUPLER							
KSF1-UP; LWT1-UP							
1903085			I-U-10	1	2	CTC-1809872	188.66
3750724			I-U-10	7/8	2	CTC-3675261	26.00
LWT1-UP							
3611139			I-U-15	3/4	1-1/4	CTC-3611131	66.36
LIFT LH							
KSF1-UP; LWT1-UP							
3585034			I-U-10	50 mm	80 mm	CTC-3240356	130.67
LIFT RH							
KSF1-UP; LWT1-UP							
3585035			I-U-10	50 mm	80 mm	CTC-3240356	130.67

REPLACEMENT KITS FOR CATERPILLAR® EQUIPMENT

Backhoe Loaders							
APPLICATION	CYL #	Misc-Parts, Instructions, etc.	CODE	ROD	BORE	KIT #	List \$
MODEL 416F							
STABILIZER LH							
KSF1-UP; LWT1-UP							
	2912681		P-UB-10	55 mm	100 mm	CTC-3975181	131.76
	2912681		Bushing	55 mm		CTC-2332614	27.98
STABILIZER RH							
KSF1-UP; LWT1-UP							
	2912682		P-UB-10	55 mm	100 mm	CTC-3975181	131.76
	2912682		Bushing	55 mm		CTC-2332614	27.98
STEERING							
KSF1-UP; LWT1-UP							
	2145097		I-U-10	36 mm	65 mm	CTC-2152023	170.91
STICK							
KSF1-UP; LWT1-UP							
	2107078		P-UB-10	2-1/4	4-1/4	CTC-3809470	89.96
STICK EXTENDABLE							
KSF1-UP; LWT1-UP							
	2107098		P-UB-10	1-1/2	3	CTC-3387156	65.04
SWING LH							
KSF1-UP; LWT1-UP							
	3818055		P-UB-10	50 mm	100 mm	CTC-3779352	107.52
	3818055		Bushing	50 mm		CTC-2332613	23.00
SWING RH							
KSF1-UP; LWT1-UP							
	3818054		P-UB-10	50 mm	100 mm	CTC-3779352	107.52
	3818054		Bushing	50 mm		CTC-2332613	23.00
THUMB							
LWT1-UP							
	2754243		I-U-10	50 mm	70 mm	CTC-2764172	75.16
TILT							
KSF1-UP; LWT1-UP							
	3585044		I-U-10	50 mm	90 mm	CTC-3556294	129.32
MODEL 416F2							
BOOM							
HWB1-UP; LBF1-UP; LYA1-UP							
	2107074		P-UB-10	2-1/4	4-1/2	CTC-2959891	101.50
BUCKET							
HWB1-UP; LBF1-UP; LYA1-UP							
	4495429		P-U-10	60 mm	90 mm	CTC-5212974	132.60
	5107951		P-U-10	60 mm	90 mm	CTC-5212974	132.60
BUCKET MP							
HWB1-UP; LBF1-UP; LYA1-UP							
	2265540		I-U-10	1-1/2	3	CTC-2309357	88.69
COUPLER							
HWB1-UP; LYA1-UP							
	3611139		I-U-15	3/4	1-1/4	CTC-3611131	66.36
	4555975		I-U-15	3/4	1-1/4	CTC-3611131	66.36
LIFT LH							
HWB1-UP; LBF1-UP; LYA1-UP							
	3585034		I-U-10	50 mm	80 mm	CTC-3240356	130.67
	5107944		P-U-10	50 mm	80 mm	CTC-5016702	122.41
LIFT RH							
HWB1-UP; LBF1-UP; LYA1-UP							
	3585035		I-U-10	50 mm	80 mm	CTC-3240356	130.67
	5107945		P-U-10	50 mm	80 mm	CTC-5016702	122.41

REPLACEMENT KITS FOR CATERPILLAR® EQUIPMENT

Backhoe Loaders							
APPLICATION	CYL #	Misc-Parts, Instructions, etc.	CODE	ROD	BORE	KIT #	List \$
MODEL 416F2							
STABILIZER LH							
HWB1-UP; LBF1-UP; LYA1-UP							
2912681			P-UB-10	55 mm	100 mm	CTC-3975181	131.76
2912681			Bushing	55 mm		CTC-2332614	27.98
LBF1-UP							
2627049			P-UB-10	55 mm	100 mm	CTC-2332623	173.23
2627049			Bushing	55 mm		CTC-2332614	27.98
STABILIZER RH							
HWB1-UP; LBF1-UP; LYA1-UP							
2912682			P-UB-10	55 mm	100 mm	CTC-3975181	131.76
2912682			Bushing	55 mm		CTC-2332614	27.98
LBF1-UP							
2627050			P-UB-10	55 mm	100 mm	CTC-2332623	173.23
2627050			Bushing	55 mm		CTC-2332614	27.98
STEERING							
HWB1-UP; LYA1-UP							
2145097			I-U-10	36 mm	65 mm	CTC-2152023	170.91
LBF1-UP							
4826752			I-U-10	40 mm	65 mm	CTC-4907482	193.81
STICK							
HWB1-UP; LBF1-UP; LYA1-UP							
2107078			P-UB-10	2-1/4	4-1/4	CTC-3809470	89.96
STICK EXTENDABLE							
HWB1-UP; LBF1-UP; LYA1-UP							
2107098			P-UB-10	1-1/2	3	CTC-3387156	65.04
SWING LH							
HWB1-UP; LBF1-UP; LYA1-UP							
3818055			P-UB-10	50 mm	100 mm	CTC-3779352	107.52
3818055			Bushing	50 mm		CTC-2332613	23.00
SWING RH							
HWB1-UP; LBF1-UP; LYA1-UP							
3818054			P-UB-10	50 mm	100 mm	CTC-3779352	107.52
3818054			Bushing	50 mm		CTC-2332613	23.00
THUMB							
HWB1-UP; LBF1-UP; LYA1-UP							
2754243			I-U-10	50 mm	70 mm	CTC-2764172	75.16
TILT							
HWB1-UP; LBF1-UP; LYA1-UP							
3585044			I-U-10	50 mm	90 mm	CTC-3556294	129.32
5107946			P-U-10	50 mm	90 mm	CTC-5212972	124.09
MODEL 420D							
BACKHOE BOOM							
1529148			P-UB-10	2-3/8	4-3/4	CTC-2350973	159.96
BKC1-501; BLN1-1832; BMC1-610; FDP1-3137							
1529148			P-UB-10	2-3/8	4-3/4	CTC-2350973	159.96
BKC1-501; BLN1833-4543; BMC1-610; FDP3138-7198							
1917846			P-UB-10	2-3/8	4-3/4	CTC-2350973	159.96
BKC1-UP; BLN1833-UP; BMC1-UP; FDP7199-UP; MBH1-UP							
2063630			P-UB-10	2-3/8	4-3/4	CTC-2350973	159.96
BACKHOE BUCKET							
1668140			I-UB-10	2-3/4	3-3/4	CTC-2235944	126.77
BKC1-501; BLN1-4543; BMC1-610; FDP1-7198							
1668140			I-UB-10	2-3/4	3-3/4	CTC-2235944	126.77
BKC1-UP; BLN1-UP; BMC1-UP; FDP1-UP							
1917839			I-UB-10	2-3/4	3-3/4	CTC-2315021	118.58

REPLACEMENT KITS FOR CATERPILLAR® EQUIPMENT

Backhoe Loaders							
APPLICATION	CYL #	Misc-Parts, Instructions, etc.	CODE	ROD	BORE	KIT #	List \$
MODEL 420D							
BACKHOE BUCKET							
BKC1-UP; BLN1-UP; BMC1-UP; FDP1-UP; MBH1-UP							
	1917835		I-UB-10	2-3/4	3-3/4	CTC-2315021	118.58
BLN1-4543; FDP1-7198							
	1668141		I-UB-10	2-3/4	3-3/4	CTC-2235944	126.77
BACKHOE EXT BUCKET							
	1668141		I-UB-10	2-3/4	3-3/4	CTC-2235944	126.77
BACKHOE EXT STICK							
	1647174		P-UB-10	1-1/2	3	CTC-2350354	54.98
BKC1-401; BLN1-4543; BMC1-506; FDP1-7198							
	1647174		P-UB-10	1-1/2	3	CTC-2350354	54.98
BKC402-UP; BLN4544-UP; BMC507-UP; FDP7199-UP							
	1917725		P-UB-10	1-1/2	3	CTC-3809484	66.36
BACKHOE STICK							
	1843709		P-UB-10	2-1/2	4-1/2	CTC-2435805	117.64
BKC1-501; BLN1-4543; BMC1-610; FDP1-7198							
	1843709		P-UB-10	2-1/2	4-1/2	CTC-2435805	117.64
BKC1-919; BLN1833-10299; BMC1-1059; FDP7199-18399							
	2060503		P-UB-10	2-1/2	4-1/2	CTC-2297194	88.26
BKC502-UP; BLN8014-UP; BMC1-UP; FDP10193-UP; MBH1-UP							
	2359829		P-UB-10	2-1/2	4-1/2	CTC-2359829K	88.20
BACKHOE SWING							
	1699529		P-UB-10	2	4	CTC-1113302	190.32
COUPLER							
BLN1-UP; MBH1-UP							
	1783713		I-U-10	1	2	CTC-1809872	188.66
GRAPPLE							
BLN10300-UP; FDP18400-UP							
	2754243		I-U-10	50 mm	70 mm	CTC-2764172	75.16
LOADER BUCKET MP							
	1851839		P-UB-10	1-1/2	3	CTC-2350354	54.98
BKC1-UP; BLN1-UP; BMC1-UP; FDP1-UP; MBH1-UP							
	1851839		P-UB-10	1-1/2	3	CTC-2350354	54.98
FDP18400-UP; MBH1-UP							
	2265540		I-U-10	1-1/2	3	CTC-2309357	88.69
LOADER LIFT							
	1807490		P-UB-10	2	85 mm	CTC-2410110	197.42
	1832856		P-UB-10	2	85 mm	CTC-2410110	197.42
BKC1-501; FDP1-7198							
	1832856		P-UB-10	2	85 mm	CTC-2410110	197.42
BKC1-UP; FDP7199-18399							
	1964523		P-UB-10	2	85 mm	CTC-2600273	153.19
BLN10300-UP; MBH1-UP							
	2283505		P-U-10	50 mm	85 mm	CTC-2432276	132.85
	2283505		Bushing	50 mm		CTC-2332613	23.00
BLN1-4543; BMC1-610							
	1807490		P-UB-10	2	85 mm	CTC-2410110	197.42
BLN1833-4543; BLN4544-10299; BMC1-UP							
	1923791		P-UB-10	2	85 mm	CTC-2600273	153.19
FDP18400-UP							
	2300980		P-U-10	50 mm	85 mm	CTC-2432276	132.85
LOADER TILT							
	1807482		P-UB-10	2	85 mm	CTC-2410110	197.42
	1832848		P-UB-10	2	75 mm	CTC-2410109	145.98
BKC1-501; FDP1-7198							
	1807482		P-UB-10	2	85 mm	CTC-2410110	197.42

REPLACEMENT KITS FOR CATERPILLAR® EQUIPMENT

Backhoe Loaders							
APPLICATION	CYL #	Misc-Parts, Instructions, etc.	CODE	ROD	BORE	KIT #	List \$
MODEL 420D							
LOADER TILT							
BKC1-501; FDP3138-7198							
1924110			P-UB-10	2	85 mm	CTC-2600273	153.19
BKC1-919; FDP7450-UP							
2007128			P-UB-10	2	4	CTC-2618625	74.87
BKC1-UP; FDP7199-7449							
2063555			P-UB-10	2	85 mm	CTC-2600273	153.19
BLN1-4543; BMC1-610							
1832848			P-UB-10	2	75 mm	CTC-2410109	145.98
BLN1833-UP; BMC1-UP; MBH1-UP							
1923884			P-UB-10	2	75 mm	CTC-1923884K	109.69
STABILIZER							
BKC1-501; BLN1-4543; BMC1-610; FDP1-7198							
1807484			P-UB-10	2-1/8	4	CTC-2857486	130.29
1807485			P-UB-10	2-1/8	4	CTC-2857486	130.29
BKC1-920; BLN1833-11017; BMC1-1063; FDP7199-20367							
2060520			P-UB-10	2-1/8	4	CTC-2857486	130.29
BKC1-920; BLN1833-11017; BMC1-1063; FDP7199-20477							
2060522			P-UB-10	2-1/8	4	CTC-2857486	130.29
BKC921-UP; BLN11018-UP; BMC1064-UP; FDP20368-UP; MBH1-UP							
2283499			P-UB-10	55 mm	100 mm	CTC-2332623	173.23
BKC921-UP; BLN11018-UP; BMC1064-UP; FDP20478-UP; MBH1-UP							
2283500			P-UB-10	55 mm	100 mm	CTC-2332623	173.23
STEERING							
1674235	ENG 03-UP		P-UB-10	1-3/4	2-3/4	CTC-2350351	232.00
1674235	ENG 00-02		P-UB-10	1-3/4	2-3/4	CTC-2350352	161.04
SWING							
BKC1-501; BLN1-1832; BMC1-610; FDP1-3137							
1699529			P-UB-10	2	4	CTC-3809482	116.23
BKC1-920; BLN1833-11084; BMC1-1063; FDP3138-20480							
1918161			P-UB-10	2	4	CTC-2618625	74.87
BKC921-UP; BLN11085-UP; BMC1064-UP; FDP20481-UP; MBH1-UP							
2283506			P-UB-10	50 mm	100 mm	CTC-2332622	99.54
2283506			Bushing	50 mm		CTC-2332613	23.00
MODEL 420E							
BACKHOE BOOM							
GAN1-UP; HLS1-UP; KMW1-UP; PHC1-UP; PRA1-UP							
2107076			P-UB-10	2-3/8	4-3/4	CTC-2959893	145.06
HLS1-UP; KMW1-UP; PHC1-UP; PRA1-UP							
2689049	PTFE piston seal		P-UB-10	2-3/8	4-3/4	CTC-3812732	160.90
2689049	Nylon piston seal		P-UB-10	2-3/8	4-3/4	CTC-3975704	166.22
BACKHOE BUCKET							
GAN1-UP; HLS1-UP; KMW1-UP; PHC1-UP; PRA1-UP							
2107088			I-UB-10	2-1/2	3-1/2	CTC-3387038	53.65
HLS1-UP; KMW1-UP; PHC1-UP; PRA1-UP							
2107087			I-UB-10	2-1/2	3-1/2	CTC-3975694	56.70
BACKHOE EXT STICK							
HLS1-UP; KMW1-UP; PHC1-UP; PRA1-UP							
2107097			P-UB-10	1-1/2	3	CTC-3387156	65.04
2107098			P-UB-10	1-1/2	3	CTC-3387156	65.04
BACKHOE STICK							
GAN1-UP; HLS1-UP; KMW1-UP; PHC1-UP; PRA1-UP							
2107082			P-UB-10	65 mm	4-3/4	CTC-3651270	302.27
HLS1-UP; KMW1-UP; PHC1-UP; PRA1-UP							
2107081			P-UB-10	65 mm	4-3/4	CTC-3651270	302.27

REPLACEMENT KITS FOR CATERPILLAR® EQUIPMENT

Backhoe Loaders							
APPLICATION	CYL #	Misc-Parts, Instructions, etc.	CODE	ROD	BORE	KIT #	List \$
MODEL 420E							
BACKHOE SWING							
GAN1-UP; HLS1-UP; KMW1-UP; PHC1-UP; PRA1-UP							
	2781971		P-UB-10	50 mm	100 mm	CTC-2332622	99.54
	2781971		Bushing	50 mm		CTC-2332613	23.00
COUPLER							
GAN1-UP; KMW1-UP; PHC1-UP							
	1903085		I-U-10	1	2	CTC-1809872	188.66
GRAPPLE							
HLS1-UP; KMW1-UP							
	2754243		I-U-10	50 mm	70 mm	CTC-2764172	75.16
LOADER BUCKET MP							
GAN1-UP; HLS1-UP; KMW1-UP; PHC1-UP; PRA1-UP							
	2265540		I-U-10	1-1/2	3	CTC-2309357	88.69
LOADER LIFT							
GAN1-UP; KMW1-UP; PHC1-UP							
	2283505		P-U-10	50 mm	85 mm	CTC-2432276	132.85
	2283505		Bushing	50 mm		CTC-2332613	23.00
HLS1-UP; PRA1-UP							
	2283509		P-U-10	50 mm	85 mm	CTC-2432276	132.85
	2283509		Bushing	50 mm		CTC-2332613	23.00
LOADER TILT							
GAN1-UP; KMW1-UP; PHC1-UP							
	1923884		P-UB-10	2	75 mm	CTC-1923884K	109.69
HLS1-UP; PRA1-UP							
	2007128		P-UB-10	2	4	CTC-2618625	74.87
STABILIZER							
GAN1-UP; HLS1-UP; KMW1-UP; PHC1-UP; PRA1-UP							
	2627049		P-UB-10	55 mm	100 mm	CTC-2332623	173.23
	2627049		Bushing	55 mm		CTC-2332614	27.98
	2627050		P-UB-10	55 mm	100 mm	CTC-2332623	173.23
	2627050		Bushing	55 mm		CTC-2332614	27.98
MODEL 420F/420F IT							
BACKHOE BOOM							
JWJ1-UP; LKH1-UP; LTG1-UP; SKR1-UP							
	2107076		P-UB-10	2-3/8	4-3/4	CTC-2959893	145.06
BACKHOE BUCKET							
JWJ1-UP; LKH1-UP; LTG1-UP; SKR1-UP							
	2107088		I-UB-10	2-1/2	3-1/2	CTC-3387038	53.65
BACKHOE STICK							
JWJ1-UP; LKH1-UP; LTG1-UP; SKR1-UP							
	2107082		P-UB-10	65 mm	4-3/4	CTC-3651270	302.27
	2107098		P-UB-10	1-1/2	3	CTC-3387156	65.04
BACKHOE SWING LH							
JWJ1-UP; LKH1-UP; LTG1-UP; SKR1-UP							
	3818054		P-UB-10	50 mm	100 mm	CTC-3779352	107.52
	3818054		Bushing	50 mm		CTC-2332613	23.00
	3818055		P-UB-10	50 mm	100 mm	CTC-3779352	107.52
	3818055		Bushing	50 mm		CTC-2332613	23.00
COUPLER							
JWJ1-UP; LKH1-UP							
	1783713		I-U-10	1	2	CTC-1809872	188.66
JWJ1-UP; LKH1-UP; LTG1-UP; SKR1-UP							
	3611139		I-U-15	3/4	1-1/4	CTC-3611131	66.36
LKH1-UP; LTG1-UP; SKR1-UP							
	4555975		I-U-15	3/4	1-1/4	CTC-3611131	66.36

REPLACEMENT KITS FOR CATERPILLAR® EQUIPMENT

Backhoe Loaders							
APPLICATION	CYL #	Misc-Parts, Instructions, etc.	CODE	ROD	BORE	KIT #	List \$
MODEL 420F/420F IT							
COUPLER							
LTG1-UP; SKR1-UP							
1903085			I-U-10	1	2	CTC-1809872	188.66
3750724			I-U-10	7/8	2	CTC-3675261	26.00
LOADER BUCKET MP							
JWJ1-UP; LKH1-UP; LTG1-UP; SKR1-UP							
2265540			I-U-10	1-1/2	3	CTC-2309357	88.69
LOADER LIFT LH							
JWJ1-3287; LKH1-515; LTG1-UP; SKR1-UP							
3585034			I-U-10	50 mm	80 mm	CTC-3240356	130.67
JWJ3288-UP; LKH516-UP; LTG1-UP; SKR1-UP							
5107944			P-U-10	50 mm	80 mm	CTC-5016702	122.41
LOADER LIFT RH							
JWJ1-3287; LKH1-515; LTG1-UP; SKR1-UP							
3585035			I-U-10	50 mm	80 mm	CTC-3240356	130.67
JWJ3288-UP; LKH516-UP; LTG1-UP; SKR1-UP							
5107945			P-U-10	50 mm	80 mm	CTC-5016702	122.41
LOADER TILT							
JWJ1-UP; LKH1-UP							
3585045	Insert Wiper		I-U-10	45 mm	70 mm	CTC-3240411	100.00
3585045	Press In Wiper		P-U-10	45 mm	70 mm	CTC-5212973	96.71
5107947			P-U-10	45 mm	70 mm	CTC-5212973	96.71
LTG1-UP; SKR1-UP							
3585044			P-U-10	50 mm	90 mm	CTC-5212972	124.09
5107946			P-U-10	50 mm	90 mm	CTC-5212972	124.09
STABILIZER LH							
JWJ1-UP; LKH1-UP; LTG1-UP; SKR1-UP							
2912681			P-UB-10	55 mm	100 mm	CTC-3975181	131.76
STABILIZER RH							
JWJ1-UP; LKH1-UP; LTG1-UP; SKR1-UP							
2912682			P-UB-10	55 mm	100 mm	CTC-3975181	131.76
STEERING							
JWJ1-UP; LKH1-UP; LTG1-UP; SKR1-UP							
2145097			I-U-10	36 mm	65 mm	CTC-2152023	170.91
THUMB							
LKH1-UP; LTG1-UP; SKR1-UP							
2754243			I-U-10	50 mm	70 mm	CTC-2764172	75.16
MODEL 420F2/420F2 IT							
BACKHOE BOOM							
HWC1-UP; HWD1-UP; LBS1-UP; LYB1-UP; LYC1-UP							
2107076			P-UB-10	2-3/8	4-3/4	CTC-2959893	145.06
BACKHOE BUCKET							
HWC1-UP; HWD1-UP; LBS1-UP; LYB1-UP; LYC1-UP							
5107951			P-U-10	60 mm	90 mm	CTC-5212974	132.60
HWC1-UP; HWD1-UP; LYB1-UP; LYC1-UP							
4495429			P-U-10	60 mm	90 mm	CTC-5212974	132.60
BACKHOE STICK							
HWC1-UP; HWD1-UP; LBS1-UP; LYB1-UP; LYC1-UP							
2107082			P-UB-10	65 mm	4-3/4	CTC-3651270	302.27
2107098			P-UB-10	1-1/2	3	CTC-3387156	65.04
BACKHOE SWING							
HWC1-UP; HWD1-UP; LBS1-UP; LYB1-UP; LYC1-UP							
3818054			P-UB-10	50 mm	100 mm	CTC-3779352	107.52
3818054	Bushing			50 mm		CTC-2332613	23.00
3818055			P-UB-10	50 mm	100 mm	CTC-3779352	107.52
3818055	Bushing			50 mm		CTC-2332613	23.00

REPLACEMENT KITS FOR CATERPILLAR® EQUIPMENT

Backhoe Loaders							
APPLICATION	CYL #	Misc-Parts, Instructions, etc.	CODE	ROD	BORE	KIT #	List \$
MODEL 420F2/420F2 IT							
BLADE							
HWD1-UP; LYC1-UP							
4893934			I-U-10	1-3/4	3	CTC-4827624	145.98
COUPLER							
HWC1-UP; HWD1-UP; LYB1-UP; LYC1-UP							
3611139			I-U-15	3/4	1-1/4	CTC-3611131	66.36
4555975			I-U-15	3/4	1-1/4	CTC-3611131	66.36
HWD1-UP; LYC1-UP							
1783713			I-U-10	1	2	CTC-1809872	188.66
LOADER BUCKET MP							
HWC1-UP; HWD1-UP; LBS1-UP; LYB1-UP; LYC1-UP							
2265540			I-U-10	1-1/2	3	CTC-2309357	88.69
LOADER LIFT LH							
HWC1-2181; HWD1-1711; LBS1-UP; LYB1-UP; LYC1-446							
3585034			I-U-10	50 mm	80 mm	CTC-3240356	130.67
HWC2182-UP; HWD1712-UP; LBS1-UP; LYB1-UP; LYC447-UP							
5107944			P-U-10	50 mm	80 mm	CTC-5016702	122.41
LOADER LIFT RH							
HWC1-2181; HWD1-1711; LBS1-UP; LYB1-UP; LYC1-446							
3585035			I-U-10	50 mm	80 mm	CTC-3240356	130.67
HWC2182-UP; HWD1712-UP; LBS1-UP; LYB1-UP; LYC447-UP							
5107945			P-U-10	50 mm	80 mm	CTC-5016702	122.41
LOADER TILT							
HWC1-2181; LYB1-UP							
3585044			P-U-10	50 mm	90 mm	CTC-5212972	124.09
HWC2182-UP; LBS1-UP; LYB1-UP							
5107946			P-U-10	50 mm	90 mm	CTC-5212972	124.09
HWD1-UP; LYC1-UP							
3585045	Insert Wiper		I-U-10	45 mm	70 mm	CTC-3240411	100.00
3585045	Press In Wiper		P-U-10	45 mm	70 mm	CTC-5212973	96.71
5107947			P-U-10	45 mm	70 mm	CTC-5212973	96.71
LBS1-UP							
3585044			I-U-10	50 mm	90 mm	CTC-3556294	129.32
STABILIZER LH							
HWC1-UP; HWD1-UP; LYB1-UP; LYC1-UP							
2912681			P-UB-10	55 mm	100 mm	CTC-3975181	131.76
2912681			Bushing	55 mm		CTC-2332614	27.98
LBS1-UP							
2627049			P-UB-10	55 mm	100 mm	CTC-2332623	173.23
2627049			Bushing	55 mm		CTC-2332614	27.98
STABILIZER RH							
HWC1-UP; HWD1-UP; LYB1-UP; LYC1-UP							
2912682			P-UB-10	55 mm	100 mm	CTC-3975181	131.76
2912682			Bushing	55 mm		CTC-2332614	27.98
LBS1-UP							
2627050			P-UB-10	55 mm	100 mm	CTC-2332623	173.23
2627050			Bushing	55 mm		CTC-2332614	27.98
STEERING							
HWC1-UP; HWD1-UP; LBS1-UP; LYB1-UP; LYC1-UP							
2145097			I-U-10	36 mm	65 mm	CTC-2152023	170.91
LBS1-UP							
4826752			I-U-10	40 mm	65 mm	CTC-4907482	193.81
THUMB							
HWC1-UP; HWD1-UP; LBS1-UP; LYB1-UP; LYC1-UP							
2754243			I-U-10	50 mm	70 mm	CTC-2764172	75.16

REPLACEMENT KITS FOR CATERPILLAR® EQUIPMENT

Backhoe Loaders							
APPLICATION	CYL #	Misc-Parts, Instructions, etc.	CODE	ROD	BORE	KIT #	List \$
MODEL 422E							
BACKHOE BOOM							
		DSK1-; HBE1-					
			P-UB-10	2-1/4	4-1/2	CTC-2959891	101.50
BACKHOE BUCKET							
		DSK1-; HBE1-					
			I-UB-10	2-3/8	85 mm	CTC-3651283	111.14
BACKHOE EXT STICK							
		DSK1-; HBE1-					
			P-UB-10	1-1/2	3	CTC-3387156	65.04
BACKHOE STABILIZER							
		DSK1-; HBE1-					
			P-UB-10	1-3/4	2-3/4	CTC-2342595	222.42
BACKHOE STICK							
		DSK1-; HBE1-					
			P-UB-10	2-1/4	4-1/4	CTC-3809470	89.96
LOADER BUCKET MP							
		DSK1-; MAW1-					
			I-U-10	1-1/2	3	CTC-2309357	88.69
		HBE1-					
			P-UB-10	1-1/2	3	CTC-2350354	54.98
LOADER LIFT							
		DSK1-; HBE1-; MAW1-					
			P-UB-10	1-7/8	3-1/4	CTC-2342593	101.56
LOADER TILT							
		DSK1-; HBE1-; MAW1-					
			P-UB-10	1-7/8	3-1/4	CTC-2342593	101.56
MODEL 422F							
LOADER BUCKET MP							
		LRH1-					
			I-U-10	1-1/2	3	CTC-2309357	88.69
MODEL 424D							
BACKHOE BOOM							
		BGP1-396; BKR1-418					
			P-UB-10	2-3/8	4-1/2	CTC-2418924	121.58
		BGP1-647; BKR1-528					
		1917753					
			P-UB-10	2-3/8	4-1/2	CTC-2616885	131.33
		BGP397-1612; BKR419-562; CJZ1-; RXA1-					
		2063628					
			P-UB-10	2-3/8	4-1/2	CTC-2350972	101.95
BACKHOE BUCKET							
		BGP1-1612; BKR1-562; CJZ1-UP; RXA1-UP					
			I-UB-10	2-1/2	3-1/2	CTC-2235945	115.37
BACKHOE EXT STICK							
		BGP1-396; BKR1-418					
			P-UB-10	1-1/2	3	CTC-2350354	54.98
		BGP397-1612; BKR419-562; CJZ1-; RXA1-					
			P-UB-10	1-1/2	3	CTC-1917725K	66.36
BACKHOE STABILIZER							
		BGP1-1612; BKR1-562; CJZ1-UP; RXA1-UP					
			P-UB-10	1-3/4	2-3/4	CTC-2342595	222.42
BACKHOE STICK							
		BGP1-1612; BKR1-562					
		1734015					
			P-UB-10	2-1/2	4-1/2	CTC-2435805	117.64
		BGP397-1612; BKR419-562; CJZ1-; RXA1-					
		2060509					
			P-UB-10	2-1/2	4-1/2	CTC-2297194	88.26
		2359831					
			P-UB-10	2-1/2	4-1/2	CTC-2297194	88.26

REPLACEMENT KITS FOR CATERPILLAR® EQUIPMENT

Backhoe Loaders							
APPLICATION	CYL #	Misc-Parts, Instructions, etc.	CODE	ROD	BORE	KIT #	List \$
MODEL 424D							
BACKHOE SWING							
		BGP1-1612; BKR1-562; CJZ1-277; RXA1-705					
			P-UB-10	2	4	CTC-2409538	110.44
LOADER BUCKET MP							
		BGP1-1612; BKR1-1612; BKR1-562; CJZ1-; RXA1-					
			P-UB-10	1-1/2	3	CTC-2350354	54.98
LOADER LIFT							
		BGP1-396; BKR1-418					
			P-UB-10	1-7/8	3-1/4	CTC-2465926	70.71
		BGP397-1612; BKR419-562; CJZ1-; RXA1-					
			P-UB-10	1-7/8	3-1/4	CTC-2342593	101.56
LOADER TILT							
		BGP1-396; BKR1-418					
			P-UB-10	1-7/8	3-1/4	CTC-2465926	70.71
		BGP397-1612; BKR419-562; CJZ1-; RXA1-					
			P-UB-10	1-7/8	3-1/4	CTC-2342593	101.56
STEERING							
		BGP1-1612; BKR1-1612					
			I-U-10	36 mm	65 mm	CTC-1787189	398.89
			P-UB-10	1-3/4	2-3/4	CTC-2350351	232.00
MODEL 426B							
BACKHOE BACKHOE BOOM							
	6E1948		P-UB-10	2-1/2	5	CTC-1361967	293.83
BACKHOE BUCKET							
	1268316		I-UB-10	2-3/4	3-3/4	CTC-9X2020	174.12
	6E1809		I-UB-10	2-3/4	3-3/4	CTC-9X2020	174.12
BACKHOE EXT BUCKET							
	6E3692		I-UB-10	2-3/4	3-3/4	CTC-9X2020	174.12
BACKHOE STICK							
	6E1935		P-UB-10	2-3/4	5	CTC-3E8878	291.34
	6E3662		P-UB-10	1-1/2	3	CTC-7X2737	173.75
BACKHOE SWING							
	1166861		P-UB-10	2	4	CTC-1113302	190.32
	6E0288		P-UB-10	2	4	CTC-1113302	190.32
	6E1864		P-UB-10	2	4	CTC-1328816	148.39
LOADER BUCKET MP							
	9T4006		P-UB-10	1-1/2	3	CTC-7X2737	173.75
LOADER LIFT							
	6E0103		P-UB-10	1-7/8	3-1/4	CTC-3E3297	157.69
	9T0415		P-UB-10	1-7/8	3-1/4	CTC-3E3297	157.69
LOADER TILT							
	1071855		P-UB-10	2	3-1/2	CTC-7X2783	164.74
	6E0113		P-UB-10	2	3-1/2	CTC-7X2783	164.74
STABILIZER							
	1052323		P-UB-10	2-1/8	4	CTC-1305923	218.57
	1052358		P-UB-10	2-1/8	4	CTC-1305923	218.57
STABILIZER LH							
	1165354		P-UB-10	2-1/8	4	CTC-1305923	218.57
	1302364		P-UB-10	2-1/8	4	CTC-1305923	218.57
	6E0098		P-UB-10	2-1/8	4	CTC-1305923	218.57
STABILIZER RH							
	1165353		P-UB-10	2-1/8	4	CTC-1305923	218.57
	1302365		P-UB-10	2-1/8	4	CTC-1305923	218.57
	6E0099		P-UB-10	2-1/8	4	CTC-1305923	218.57
STEERING							
	6E5190		P-UB-10	1-7/8	3	CTC-1113301	209.58

REPLACEMENT KITS FOR CATERPILLAR® EQUIPMENT

Backhoe Loaders							
APPLICATION	CYL #	Misc-Parts, Instructions, etc.	CODE	ROD	BORE	KIT #	List \$
MODEL 426B							
UNSPECIFIED APPLICATION							
	1070624		P-UB-10	1-7/8	3-1/4	CTC-3E3297	157.69
MODEL 426C							
BACKHOE BOOM							
	6E1948		P-UB-10	2-1/2	5	CTC-1361967	293.83
BACKHOE BUCKET							
	1268316		I-UB-10	2-3/4	3-3/4	CTC-9X2020	174.12
BACKHOE EXT BUCKET							
	6E3692		I-UB-10	2-3/4	3-3/4	CTC-9X2020	174.12
BACKHOE STICK							
	1535735		P-UB-10	1-1/2	3	CTC-7X2737	173.75
	6E1935		P-UB-10	2-3/4	5	CTC-3E8878	291.34
	6E3662		P-UB-10	1-1/2	3	CTC-7X2737	173.75
BACKHOE SWING							
	1166861		P-UB-10	2	4	CTC-1113302	190.32
LOADER BUCKET MP							
	9T4006		P-UB-10	1-1/2	3	CTC-7X2737	173.75
LOADER LIFT							
	1108688		P-UB-10	2	3-1/2	CTC-7X2783	164.74
	1216764		P-UB-10	2	3-1/2	CTC-7X2783	164.74
LOADER TILT							
	1071855		P-UB-10	2	3-1/2	CTC-7X2783	164.74
STABILIZER LH							
	1311846		P-UB-10	2-1/8	4	CTC-1305923	218.57
	1521806		P-UB-10	2-1/8	4	CTC-1305923	218.57
STABILIZER RH							
	1311847		P-UB-10	2-1/8	4	CTC-1305923	218.57
	1521796		P-UB-10	2-1/8	4	CTC-1305923	218.57
STEERING							
	1156437		P-UB-10	1-3/4	2-1/2	CTC-1539054	181.05
UNSPECIFIED APPLICATION							
	1235087		P-UB-10	2	3-1/2	CTC-7X2783	164.74
	1235091		P-UB-10	2	3	CTC-7X2760	112.74
	9T8823		I-U-3	1	2	CTC-9T0418	146.42
MODEL 428B							
BACKHOE BOOM							
	6E0274		P-UB-10	2-3/8	4-1/2	CTC-3E8877	250.48
BACKHOE BUCKET							
	1268308		I-UB-10	2-1/2	3-1/2	CTC-3E3299	178.67
	6E0275		I-UB-10	2-1/2	3-1/2	CTC-3E3299	178.67
BACKHOE EXT BUCKET							
	6E1964		I-UB-10	2-1/2	3-1/2	CTC-3E3299	178.67
	6E2421		I-UB-10	2-3/4	3-3/4	CTC-9X2020	174.12
BACKHOE STICK							
	1097021		P-UB-10	2-1/2	4-1/2	CTC-1113300	218.49
	6E0290	Rod Bearing width- 0.98"	P-UB-10	2-1/2	4-1/2	CTC-1113300	218.49
	6E0290	Rod Bearing width- 1.25"	P-UB-10	2-1/2	4-1/2	CTC-1469860	244.85
	6E0404		P-UB-10	1-1/2	3	CTC-7X2737	173.75
BACKHOE SWING							
	1166861		P-UB-10	2	4	CTC-1113302	190.32
	6E0288		P-UB-10	2	4	CTC-1113302	190.32
BACKHOE SWING LH							
	1166858		P-UB-10	2	4	CTC-1113302	190.32
	6E1864		P-UB-10	2	4	CTC-1113302	190.32
LOADER BUCKET MP							
	9T4006		P-UB-10	1-1/2	3	CTC-7X2737	173.75

REPLACEMENT KITS FOR CATERPILLAR® EQUIPMENT

Backhoe Loaders								
APPLICATION	CYL #	Misc-Parts, Instructions, etc.	CODE	ROD	BORE	KIT #	List \$	
MODEL 428B								
LOADER LIFT								
	6E0103		P-UB-10	1-7/8	3-1/4	CTC-3E3297	157.69	
	9T0415		P-UB-10	1-7/8	3-1/4	CTC-3E3297	157.69	
LOADER TILT								
	1071855		P-UB-10	2	3-1/2	CTC-7X2783	164.74	
	6E0113		P-UB-10	2	3-1/2	CTC-7X2783	164.74	
SIDESHIFT								
	1166858		P-UB-10	2	4	CTC-1113302	190.32	
SIDESHIFT RH								
	1166858		P-UB-10	2	4	CTC-1113302	190.32	
STABILIZER								
	1266950		P-UB-10	1-3/4	2-3/4	CTC-1539053	222.42	
	6E3483		P-UB-10	1-3/4	2-3/4	CTC-1539053	222.42	
STEERING								
	6E5190		P-UB-10	1-7/8	3	CTC-1113301	209.58	
UNSPECIFIED APPLICATION								
	1070624		P-UB-10	1-7/8	3-1/4	CTC-3E3297	157.69	
MODEL 428C								
BACKHOE BOOM								
	6E0274		P-UB-10	2-3/8	4-1/2	CTC-3E8877	250.48	
BACKHOE BUCKET								
	1268308		I-UB-10	2-1/2	3-1/2	CTC-3E3299	178.67	
	1268312		I-UB-10	2-3/4	3-3/4	CTC-1361990	263.22	
	6E0275		I-UB-10	2-1/2	3-1/2	CTC-3E3299	178.67	
BACKHOE EXT BUCKET								
	6E1964		I-UB-10	2-1/2	3-1/2	CTC-3E3299	178.67	
BACKHOE STICK								
	1097021		P-UB-10	2-1/2	4-1/2	CTC-1113300	218.49	
	6E0404		P-UB-10	1-1/2	3	CTC-7X2737	173.75	
BACKHOE SWING								
	1166861		P-UB-10	2	4	CTC-1113302	190.32	
LOADER BUCKET MP								
	9T4006		P-UB-10	1-1/2	3	CTC-7X2737	173.75	
LOADER TILT								
	1071855		P-UB-10	2	3-1/2	CTC-7X2783	164.74	
SIDESHIFT								
	1166858		P-UB-10	2	4	CTC-1113302	190.32	
SIDESHIFT RH								
	1166858		P-UB-10	2	4	CTC-1113302	190.32	
STABILIZER								
	1266950		P-UB-10	1-3/4	2-3/4	CTC-1539053	222.42	
STEERING								
	1156437		P-UB-10	1-3/4	2-1/2	CTC-1539054	181.05	
UNSPECIFIED APPLICATION								
	1070624		P-UB-10	1-7/8	3-1/4	CTC-3E3297	157.69	
	1235087		P-UB-10	2	3-1/2	CTC-7X2783	164.74	
	1235091		P-UB-10	2	3	CTC-7X2760	112.74	
	9T8823		I-U-3	1	2	CTC-9T0418	146.42	
MODEL 428D								
BACKHOE BOOM								
	BLL1-712; BMT1-3227; BNB1-UP; BNS1-1851; BXC1-UP; DSX1-UP; MBM1-UP							
			P-UB-10	2-3/8	4-3/4	CTC-2350973	159.96	
BACKHOE BUCKET								
	BLL1-712; BMT1-3227; BNB1-UP; BNS1-1851; BXC1-UP; DSX1-UP; MBM1-UP							
	1804239		I-UB-10	2-1/2	3-1/2	CTC-2235945	115.37	

REPLACEMENT KITS FOR CATERPILLAR® EQUIPMENT

Backhoe Loaders							
APPLICATION	CYL #	Misc-Parts, Instructions, etc.	CODE	ROD	BORE	KIT #	List \$
MODEL 428D							
BACKHOE EXT STICK							
BLL1-536; BMT1-1144; BNB1-414; BNS1-897							
	1647174		P-UB-10	1-1/2	3	CTC-2350354	54.98
BACKHOE STABILIZER							
BLL1-712; BMT1-3227; BNB1-UP; BNS1-1851; BXC1-UP; DSX1-UP; MBM1-UP							
	1734565		P-UB-10	1-3/4	2-3/4	CTC-2342595	222.42
BACKHOE STICK							
BLL1-650; BMT1-1262; BNB1-699; BNS1-976							
	1734015		P-UB-10	2-1/2	4-1/2	CTC-2435805	117.64
BLL537-UP; BMT1145-UP; BNB1-UP; BNS898-UP; BXC1-UP; DSX1-UP; MBM1-UP							
	2060509		P-UB-10	2-1/2	4-1/2	CTC-2297194	88.26
	2359831		P-UB-10	2-1/2	4-1/2	CTC-2297194	88.26
BACKHOE SWING							
BLL1-536; BMT1-1144; BNB1-UP; BNS1-897							
	1699529		P-UB-10	2	4	CTC-2409538	110.44
	1699530		P-UB-10	2	4	CTC-2409538	110.44
BLL537-650; BMT1145-UP; BNB1-UP; BNS898-UP; BXC1-729; DSX1-449; MBM1-247							
	1917735		P-UB-10	2	4	CTC-2618625	74.87
	1918161		P-UB-10	2	4	CTC-2618625	74.87
LOADER BUCKET MP							
BLL1-UP; BMT1-UP; BNB1-UP; BNS1-UP; BXC1-UP; DSX1-UP; MBM1-UP							
			P-UB-10	1-1/2	3	CTC-2350354	54.98
LOADER LIFT							
BLL1-650; BMT1-1262; BNB1-699; BNS1-976							
	1807490		P-UB-10	2	85 mm	CTC-2410110	197.42
	1832856		P-UB-10	2	85 mm	CTC-2410110	197.42
BLL537-UP; BMT1145-UP; BNB1-UP; BNS898-UP; BXC1-UP; DSX1-UP; MBM1-UP							
	1923791		P-UB-10	2	85 mm	CTC-2600273	153.19
	1964523		P-UB-10	2	85 mm	CTC-2600273	153.19
LOADER TILT							
BLL1-536; BLL546-650; BNB1-UP							
	1807482		P-UB-10	2	85 mm	CTC-2410110	197.42
BLL537-UP; BNB1-UP; MBM1-UP							
	1924110		P-UB-10	2	85 mm	CTC-2600273	153.19
	2063555		P-UB-10	2	85 mm	CTC-2600273	153.19
BMT1-1144; BMT1618-UP; BNS1-UP							
	1832848		P-UB-10	2	75 mm	CTC-2410109	145.98
BMT1145-UP; BNS898-UP; BXC1-UP; DSX1-UP							
	1923884		P-UB-10	2	75 mm	CTC-2617175	128.07
STEERING							
BLL1-UP; BMT1-UP; BNB1-UP; BNS1-UP							
	1787190		I-U-10	36 mm	65 mm	CTC-1787189	398.89
MODEL 428E							
BACKHOE BOOM							
DXC1-UP; SNL1-UP							
			P-UB-10	2-1/4	4-1/2	CTC-2959891	101.50
BACKHOE BUCKET							
DXC1-UP; SNL1-UP							
			I-UB-10	2-3/8	85 mm	CTC-3651283	111.14
BACKHOE EXT STICK							
DXC1-UP; SNL1-UP							
			P-UB-10	1-1/2	3	CTC-3387156	65.04
			P-UB-10	2-1/4	4-1/4	CTC-3809470	89.96
BACKHOE STABILIZER							
DXC1-UP; SNL1-UP							
			P-UB-10	1-3/4	2-3/4	CTC-2342595	222.42

REPLACEMENT KITS FOR CATERPILLAR® EQUIPMENT

Backhoe Loaders							
APPLICATION	CYL #	Misc-Parts, Instructions, etc.	CODE	ROD	BORE	KIT #	List \$
MODEL 428E							
BACKHOE STICK							
DXC1-UP; SNL1-UP							
			P-UB-10	2-1/4	4-1/4	CTC-3809470	89.96
LOADER BUCKET MP							
DPH1-UP; DXC1-UP							
			I-U-10	1-1/2	3	CTC-2309357	88.69
SNL1-UP							
			P-UB-10	1-1/2	3	CTC-2350354	54.98
LOADER LIFT							
DXC1-UP; SNL1-UP							
			P-UB-10	2	85 mm	CTC-2600273	153.19
LOADER TILT							
DXC1-UP; SNL1-UP							
			P-UB-10	2	75 mm	CTC-2617175	128.07
MODEL 428F							
LOADER BUCKET MP							
LBH1-UP; SJW1-UP							
			I-U-10	1-1/2	3	CTC-2309357	88.69
MODEL 430D							
BACKHOE BOOM							
BML1-UP; BNK1-UP							
1832849			P-UB-10	2-3/4	5-3/8	CTC-2440974	180.60
BML1-UP; BNK2502-UP							
2058655			P-UB-10	2-3/4	5-3/8	CTC-2440974	180.60
BACKHOE BUCKET							
BML1-2280; BNK1-2501							
1668140	Nylon piston seal		I-UB-10	2-3/4	3-3/4	CTC-1939270	162.88
1668140	PTFE piston seal		I-UB-10	2-3/4	3-3/4	CTC-2235944	126.77
1668141	Nylon piston seal		I-UB-10	2-3/4	3-3/4	CTC-1939270	162.88
1668141	PTFE piston seal		I-UB-10	2-3/4	3-3/4	CTC-2235944	126.77
BML1-UP; BNK1-UP							
1917835			I-UB-10	2-3/4	3-3/4	CTC-2315021	118.58
1917839			I-UB-10	2-3/4	3-3/4	CTC-2315021	118.58
BACKHOE EXT STICK							
BML1-2280; BNK1-2501							
1535735			P-UB-10	1-1/2	3	CTC-2350354	54.98
BML2281-UP; BNK2502-UP							
1917721			P-UB-10	1-1/2	3	CTC-4488804	66.36
BACKHOE STABILIZER							
BML1-5012; BNK1-6261							
1807484			P-UB-10	2-1/8	4	CTC-2857486	130.29
1807485			P-UB-10	2-1/8	4	CTC-2857486	130.29
BACKHOE STICK							
BML1-UP; BNK1-UP							
1832850			P-UB-10	65 mm	4-3/4	CTC-2456816	254.67
BML1-UP; BNK2502-UP							
2058656			P-UB-10	65 mm	4-3/4	CTC-2456816	254.67
BACKHOE SWING							
BML1-2280; BNK1-1032							
1699529			P-UB-10	2	4	CTC-3809482	116.23
BML1-5023; BNK1033-6261							
1918161			P-UB-10	2	4	CTC-2618625	74.87
BML5013-UP; BNK6262-UP							
2283506			P-UB-10	50 mm	100 mm	CTC-2332622	99.54
2283506			Bushing	50 mm		CTC-2332613	23.00

REPLACEMENT KITS FOR CATERPILLAR® EQUIPMENT

Backhoe Loaders							
APPLICATION	CYL #	Misc-Parts, Instructions, etc.	CODE	ROD	BORE	KIT #	List \$
MODEL 430D							
COUPLER							
BML1-UP							
			I-U-10	1	2	CTC-1809872	188.66
	1783713		I-U-10	1	2	CTC-1809872	188.66
GRAPPLE							
BML4800-UP; BNK5900-UP							
	2754243		I-U-10	50 mm	70 mm	CTC-2764172	75.16
LOADER BUCKET MP							
BML1-UP; BNK1-UP							
	1851839		P-UB-10	1-1/2	3	CTC-2350354	54.98
BML4800-UP; BNK5900-UP							
	2265540		I-U-10	1-1/2	3	CTC-2309357	88.69
LOADER LIFT							
BML1-2280; BNK1-2501							
	1807490		P-UB-10	2	85 mm	CTC-2410110	197.42
	1832856		P-UB-10	2	85 mm	CTC-2410110	197.42
BML1-4799; BNK1-5899							
	1923791		P-UB-10	2	85 mm	CTC-2600273	153.19
	1964523		P-UB-10	2	85 mm	CTC-2600273	153.19
BML4800-UP							
	2283505		P-U-10	50 mm	85 mm	CTC-2432276	132.85
	2283505		Bushing	50 mm		CTC-2332613	23.00
BNK5900-UP							
	2300980		P-U-10	50 mm	85 mm	CTC-2432276	132.85
	2300980		Bushing	50 mm		CTC-2332613	23.00
LOADER TILT							
BML1-2280							
	1832848		P-UB-10	2	75 mm	CTC-2410109	145.98
BML1-UP							
	1923884	PTFE piston seal	P-UB-10	2	75 mm	CTC-1923884K	109.69
	1923884	Nylon Piston seal	P-UB-10	2	75 mm	CTC-2617175	128.07
BNK1033-2501							
			P-UB-10	2	85 mm	CTC-2600273	153.19
	1924110		P-UB-10	2	85 mm	CTC-2600273	153.19
BNK1-1032							
	1807482		P-UB-10	2	85 mm	CTC-2410110	197.42
BNK2502-2558							
	2063555		P-UB-10	2	85 mm	CTC-2600273	153.19
BNK2502-UP							
			P-UB-10	2	4	CTC-2618625	74.87
	2007128		P-UB-10	2	4	CTC-2618625	74.87
STABILIZER							
BML1-2280; BNK1-2501							
	1807484		P-UB-10	2-1/8	4	CTC-2857486	130.29
	1807485		P-UB-10	2-1/8	4	CTC-2857486	130.29
BML1-5012; BNK2502-6244							
	2060520		P-UB-10	2-1/8	4	CTC-2857486	130.29
BML1-5012; BNK2502-6261							
	2060522		P-UB-10	2-1/8	4	CTC-2857486	130.29
BML5013-UP; BNK6245-UP							
	2283499		P-UB-10	55 mm	100 mm	CTC-2332623	173.23
BML5013-UP; BNK6262-UP							
	2283500		P-UB-10	55 mm	100 mm	CTC-2332623	173.23
	2283500		Bushing	55 mm		CTC-2332614	27.98

REPLACEMENT KITS FOR CATERPILLAR® EQUIPMENT

Backhoe Loaders							
APPLICATION	CYL #	Misc-Parts, Instructions, etc.	CODE	ROD	BORE	KIT #	List \$
MODEL 430D							
STEERING							
	BML1-4799; BNK1-5899						
			I-U-10	36 mm	65 mm	CTC-1787189	398.89
	1674235		P-UB-10	1-3/4	2-3/4	CTC-2350351	232.00
THUMB							
	BML4800-UP; BNK5900-UP						
	2754243		I-U-10	50 mm	70 mm	CTC-2764172	75.16
MODEL 430E							
BACKHOE BOOM							
	DDT1-UP; EAT1-UP; MXB1-UP; RLN1-UP; SCD1-UP; SWC1-UP						
			P-UB-10	3	5-1/4	CTC-2959887	187.41
	DDT1-UP; EAT1-UP; RLN1-UP; SCD1-UP						
	2469884		P-UB-10	3	5-1/4	CTC-2959887	187.41
	2689051		P-UB-10	3	5-1/4	CTC-2689051K	183.29
BACKHOE BUCKET							
	DDT1-UP; EAT1-UP; MXB1-UP; RLN1-UP; SCD1-UP; SWC1-UP						
			I-UB-10	2-3/4	3-3/8	CTC-3387039	175.11
	DDT1-UP; EAT1-UP; RLN1-UP; SCD1-UP						
	1668140		I-UB-10	2-3/4	3-3/4	CTC-2235944	126.77
	2107096		I-UB-10	2-3/4	3-3/4	CTC-3651342	172.57
BACKHOE EXT STICK							
	DDT1-UP; EAT1-UP; MXB1-UP; RLN1-UP; SCD1-UP; SWC1-UP						
			P-UB-10	1-1/2	3	CTC-3387156	65.04
			P-UB-10	2-1/2	5	CTC-3653007	187.27
	DDT1-UP; EAT1-UP; RLN1-UP; SCD1-UP						
	2107092		P-UB-10	2-1/2	5	CTC-3653007	187.27
	2107097		P-UB-10	1-1/2	3	CTC-3387156	65.04
	2107098		P-UB-10	1-1/2	3	CTC-3387156	65.04
BACKHOE STICK							
	DDT1-UP; EAT1-UP; MXB1-UP; RLN1-UP; SCD1-UP; SWC1-UP						
			P-UB-10	2-1/2	5	CTC-3653007	187.27
	DDT1-UP; EAT1-UP; RLN1-UP; SCD1-UP						
	2107091		P-UB-10	2-1/2	5	CTC-2107091K	120.68
COUPLER							
	DDT1-UP; MXB1-UP; SCD1-UP						
			I-U-10	1	2	CTC-1809872	188.66
	DDT1-UP; SCD1-UP						
	1903085		I-U-10	1	2	CTC-1809872	188.66
GRAPPLE							
	DDT1-UP; EAT1-UP						
	2754243		I-U-10	50 mm	70 mm	CTC-2764172	75.16
LOADER BUCKET MP							
	DDT1-UP; EAT1-UP; MXB1-UP; RLN1-UP; SCD1-UP; SWC1-UP						
			I-U-10	1-1/2	3	CTC-2309357	88.69
	DDT1-UP; EAT1-UP; RLN1-UP; SCD1-UP						
	2265540		I-U-10	1-1/2	3	CTC-2309357	88.69
LOADER LIFT							
	DDT1-UP; SCD1-UP						
	2283505		P-U-10	50 mm	85 mm	CTC-2432276	132.85
	2283505		Bushing	50 mm		CTC-2332613	23.00
	EAT1-UP; RLN1-UP						
	2283509		P-U-10	50 mm	85 mm	CTC-2432276	132.85
	2283509		Bushing	50 mm		CTC-2332613	23.00
LOADER TILT							
	DDT1-UP; MXB1-UP; SCD1-UP						
			P-UB-10	2	75 mm	CTC-2617175	128.07

REPLACEMENT KITS FOR CATERPILLAR® EQUIPMENT

Backhoe Loaders							
APPLICATION	CYL #	Misc-Parts, Instructions, etc.	CODE	ROD	BORE	KIT #	List \$
MODEL 430E							
LOADER TILT							
DDT1-UP; SCD1-UP							
1923884			P-UB-10	2	75 mm	CTC-1923884K	109.69
EAT1-UP; RLN1-UP							
2007128			P-UB-10	2	4	CTC-2618625	74.87
EAT1-UP; RLN1-UP; SWC1-UP							
			P-UB-10	2	4	CTC-2618625	74.87
STABILIZER							
DDT1-UP; EAT1-UP; RLN1-UP; SCD1-UP							
2627049			P-UB-10	55 mm	100 mm	CTC-2332623	173.23
2627049			Bushing	55 mm		CTC-2332614	27.98
2627050			P-UB-10	55 mm	100 mm	CTC-2332623	173.23
2627050			Bushing	55 mm		CTC-2332614	27.98
SWING							
DDT1-UP; EAT1-UP; RLN1-UP; SCD1-UP							
2781971			P-UB-10	50 mm	100 mm	CTC-2332622	99.54
2781971			Bushing	50 mm		CTC-2332613	23.00
THUMB							
DDT1-UP; EAT1-UP; MXB1-UP; RLN1-UP; SCD1-UP; SWC1-UP							
			I-U-10	50 mm	70 mm	CTC-2764172	75.16
MODEL 430F/430F IT							
BACKHOE BOOM							
LDY1-281; LNH1-UP; RDF1-UP; RGS1-UP							
2469884			P-UB-10	3	5-1/4	CTC-3769015	228.41
BACKHOE BUCKET							
LDY1-281; LNH1-UP; RDF1-UP; RGS1-UP							
2107096			I-UB-10	2-3/4	3-3/4	CTC-3651342	172.57
BACKHOE EXT STICK							
LDY1-281; LNH1-UP; RDF1-UP; RGS1-UP							
2107098			P-UB-10	1-1/2	3	CTC-3387156	65.04
BACKHOE STICK							
LDY1-281; LNH1-UP; RDF1-UP; RGS1-UP							
2107092			P-UB-10	2-1/2	5	CTC-3653007	187.27
BACKHOE SWING LH							
LDY1-281; LNH1-UP; RDF1-UP; RGS1-UP							
3818055			P-UB-10	50 mm	100 mm	CTC-3779352	107.52
3818055			Bushing	50 mm		CTC-2332613	23.00
BACKHOE SWING RH							
LDY1-281; LNH1-UP; RDF1-UP; RGS1-UP							
3818054			P-UB-10	50 mm	100 mm	CTC-3779352	107.52
3818054			Bushing	50 mm		CTC-2332613	23.00
COUPLER							
LDY1-281; LNH1-UP; RDF1-UP; RGS1-UP							
3611139			I-U-15	3/4	1-1/4	CTC-3611131	66.36
4555975			I-U-15	3/4	1-1/4	CTC-3611131	66.36
LDY1-281; RDF1-UP							
1903085			I-U-10	1	2	CTC-1809872	188.66
3750724			I-U-10	7/8	2	CTC-3675261	26.00
LNH1-UP; RGS1-UP							
1783713			I-U-10	1	2	CTC-1809872	188.66
LOADER BUCKET MP							
LDY1-281; LNH1-UP; RDF1-UP; RGS1-UP							
2265540			I-U-10	1-1/2	3	CTC-2309357	88.69
LOADER LIFT LH							
LDY1-281; LNH1-208; RDF1-UP; RGS1-761							
3585034			I-U-10	50 mm	80 mm	CTC-3240356	130.67

REPLACEMENT KITS FOR CATERPILLAR® EQUIPMENT

Backhoe Loaders							
APPLICATION	CYL #	Misc-Parts, Instructions, etc.	CODE	ROD	BORE	KIT #	List \$
MODEL 430F/430F IT							
LOADER LIFT LH							
LDY1-281; LNH209-UP; RDF1-UP; RGS762-UP							
	5107944		P-U-10	50 mm	80 mm	CTC-5016702	122.41
LOADER LIFT RH							
LDY1-281; LNH1-208; RDF1-UP; RGS1-761							
	3585035		I-U-10	50 mm	80 mm	CTC-3240356	130.67
LDY1-281; LNH209-UP; RDF1-UP; RGS762-UP							
	5107945		P-U-10	50 mm	80 mm	CTC-5016702	122.41
LOADER TILT							
LDY1-280; RDF1-869							
	3585044		I-U-10	50 mm	90 mm	CTC-3556294	129.32
LDY1-281; RDF1-UP							
	5107946		P-U-10	50 mm	90 mm	CTC-5212972	124.09
LDY281-UP; RDF870-UP							
	3585044		P-U-10	50 mm	90 mm	CTC-5212972	124.09
LNH1-UP; RGS1-UP							
	3585045	Insert Wiper	I-U-10	45 mm	70 mm	CTC-3240411	100.00
	3585045	Press In Wiper	P-U-10	45 mm	70 mm	CTC-5212973	96.71
	5107947		P-U-10	45 mm	70 mm	CTC-5212973	96.71
STABILIZER LH							
LDY1-281; LNH1-UP; RDF1-UP; RGS1-UP							
	2912681		P-UB-10	55 mm	100 mm	CTC-3975181	131.76
	2912681		Bushing	55 mm		CTC-2332614	27.98
STABILIZER RH							
LDY1-281; LNH1-UP; RDF1-UP; RGS1-UP							
	2912682		P-UB-10	55 mm	100 mm	CTC-3975181	131.76
	2912682		Bushing	55 mm		CTC-2332614	27.98
STEERING							
LDY1-281; LNH1-UP; RDF1-UP; RGS1-UP							
	2145097		I-U-10	36 mm	65 mm	CTC-2152023	170.91
THUMB							
LDY1-281; LNH1-UP							
	2754243		I-U-10	50 mm	70 mm	CTC-2764172	75.16
MODEL 430F2/430F2 IT							
BACKHOE BOOM							
HWE1-UP; HWG1-UP; LYD1-UP; LYE1-UP							
	2469884		P-UB-10	3	5-1/4	CTC-3769015	228.41
BACKHOE BUCKET							
HWE1-UP; HWG1-UP; LYD1-UP; LYE1-UP							
	4494908		I-UB-10	2-3/4	3-3/4	CTC-3651342	172.57
BACKHOE EXT STICK							
HWE1-UP; HWG1-UP; LYD1-UP; LYE1-UP							
	2107098		P-UB-10	1-1/2	3	CTC-3387156	65.04
BACKHOE STICK							
HWE1-UP; HWG1-UP; LYD1-UP; LYE1-UP							
	2107092		P-UB-10	2-1/2	5	CTC-3653007	187.27
BACKHOE SWING LH							
HWE1-UP; HWG1-UP; LYD1-UP; LYE1-UP							
	3818055		P-UB-10	50 mm	100 mm	CTC-3779352	107.52
	3818055		Bushing	50 mm		CTC-2332613	23.00
BACKHOE SWING RH							
HWE1-UP; HWG1-UP; LYD1-UP; LYE1-UP							
	3818054		P-UB-10	50 mm	100 mm	CTC-3779352	107.52
	3818054		Bushing	50 mm		CTC-2332613	23.00

REPLACEMENT KITS FOR CATERPILLAR® EQUIPMENT

Backhoe Loaders							
APPLICATION	CYL #	Misc-Parts, Instructions, etc.	CODE	ROD	BORE	KIT #	List \$
MODEL 430F2/430F2 IT							
COUPLER							
HWE1-UP; HWG1-UP; LYD1-UP; LYE1-UP							
3611139			I-U-15	3/4	1-1/4	CTC-3611131	66.36
4555975			I-U-15	3/4	1-1/4	CTC-3611131	66.36
HWG1-UP; LYE1-UP							
1783713			I-U-10	1	2	CTC-1809872	188.66
LOADER BUCKET MP							
HWE1-UP; HWG1-UP; LYD1-UP; LYE1-UP							
2265540			I-U-10	1-1/2	3	CTC-2309357	88.69
LOADER LIFT LH							
HWE1-607; HWG1-463; LYD1-UP; LYE1-207							
3585034			I-U-10	50 mm	80 mm	CTC-3240356	130.67
HWE608-UP; HWG464-UP; LYD1-UP; LYE208-UP							
5107944			P-U-10	50 mm	80 mm	CTC-5016702	122.41
LOADER LIFT RH							
HWE1-607; HWG1-463; LYD1-UP; LYE1-207							
3585035			I-U-10	50 mm	80 mm	CTC-3240356	130.67
HWE608-UP; HWG464-UP; LYD1-UP; LYE208-UP							
5107945			P-U-10	50 mm	80 mm	CTC-5016702	122.41
LOADER TILT							
HWE1-607; LYD1-204							
3585044			I-U-10	50 mm	90 mm	CTC-3556294	129.32
HWE608-UP; LYD1-UP							
5107946			P-U-10	50 mm	90 mm	CTC-5212972	124.09
HWG1-UP; LYE1-UP							
3585045	Insert Wiper		I-U-10	45 mm	70 mm	CTC-3240411	100.00
3585045	Press In Wiper		P-U-10	45 mm	70 mm	CTC-5212973	96.71
5107947			P-U-10	45 mm	70 mm	CTC-5212973	96.71
STABILIZER LH							
HWE1-UP; HWG1-UP; LYD1-UP; LYE1-UP							
2912681			P-UB-10	55 mm	100 mm	CTC-3975181	131.76
2912681			Bushing	55 mm		CTC-2332614	27.98
STABILIZER RH							
HWE1-UP; HWG1-UP; LYD1-UP; LYE1-UP							
2912682			P-UB-10	55 mm	100 mm	CTC-3975181	131.76
2912682			Bushing	55 mm		CTC-2332614	27.98
STEERING							
HWE1-UP; HWG1-UP; LYD1-UP; LYE1-UP							
2145097			I-U-10	36 mm	65 mm	CTC-2152023	170.91
THUMB							
HWE1-UP; HWG1-UP; LYD1-UP; LYE1-UP							
2754243			I-U-10	50 mm	70 mm	CTC-2764172	75.16
MODEL 432D							
BACKHOE BOOM							
BLD1-3844; TDR1-UP; WEP1-UP							
			P-UB-10	2-3/8	4-3/4	CTC-2350973	159.96
BACKHOE BUCKET							
BLD1-3844; TDR1-UP; WEP1-UP							
1804849			I-UB-10	2-1/2	3-1/2	CTC-2235945	115.37
1917835			I-UB-10	2-3/4	3-3/4	CTC-2315021	118.58
1917839			I-UB-10	2-3/4	3-3/4	CTC-2315021	118.58
2060518			I-UB-10	2-1/2	3-1/2	CTC-2235945	115.37
BLD1-UP							
1668140			I-UB-10	2-3/4	3-3/4	CTC-1939270	162.88
1668141			I-UB-10	2-3/4	3-3/4	CTC-1939270	162.88

REPLACEMENT KITS FOR CATERPILLAR® EQUIPMENT

Backhoe Loaders							
APPLICATION	CYL #	Misc-Parts, Instructions, etc.	CODE	ROD	BORE	KIT #	List \$
MODEL 432D							
BACKHOE EXT STICK							
	BLD1-859						
	1647174		P-UB-10	1-1/2	3	CTC-2350354	54.98
BACKHOE STABILIZER							
	BLD1-3844; TDR1-UP; WEP1-UP						
	1734565		P-UB-10	1-3/4	2-3/4	CTC-2342595	222.42
BACKHOE STICK							
	BLD1-859						
			P-UB-10	2-1/2	4-1/2	CTC-2435805	117.64
	BLD860-UP; TDR1-UP; WEP1-UP						
			P-UB-10	2-1/2	4-1/2	CTC-2297194	88.26
BACKHOE SWING							
	BLD1-859						
	1699529		P-UB-10	2	4	CTC-2409538	110.44
	1699530		P-UB-10	2	4	CTC-2409538	110.44
	BLD860-UP; TDR1-321; WEP1-881						
			P-UB-10	2	4	CTC-2618625	74.87
COUPLER							
	BLD1-3844; TDR1-UP; WEP1-UP						
			I-U-10	1	2	CTC-1809872	188.66
LOADER BUCKET MP							
	BLD1-3844; TDR1-UP; WEP1-UP						
	1851839		P-UB-10	1-1/2	3	CTC-2350354	54.98
LOADER LIFT							
	BLD1-859						
	1807490		P-UB-10	2	85 mm	CTC-2410110	197.42
	BLD860-UP; TDR1-UP; WEP1-UP						
			P-UB-10	2	85 mm	CTC-2600273	153.19
LOADER TILT							
	BLD1-859						
	1832848		P-UB-10	2	75 mm	CTC-2410109	145.98
	BLD860-UP; TDR1-UP; WEP1-UP						
			P-UB-10	2	75 mm	CTC-2617175	128.07
STEERING							
	BLD1-UP						
	1787190		I-U-10	36 mm	65 mm	CTC-1787189	398.89
MODEL 432E							
BACKHOE BOOM							
	BXE1-UP						
	2689049		P-UB-10	2-3/8	4-3/4	CTC-2350973	159.96
	BXE1-UP; RXS1-UP						
	2107076		P-UB-10	2-3/8	4-3/4	CTC-2959893	145.06
BACKHOE BUCKET							
	BXE1-UP; RXS1-UP						
			I-UB-10	2-3/8	85 mm	CTC-3651283	111.14
BACKHOE EXT STICK							
	BXE1-UP; RXS1-UP						
			P-UB-10	1-1/2	3	CTC-3387156	65.04
			P-UB-10	65 mm	4-3/4	CTC-3651270	302.27
BACKHOE STABILIZER							
	BXE1-UP; RXS1-UP						
			P-UB-10	1-3/4	2-3/4	CTC-2342595	222.42
BACKHOE STICK							
	BXE1-UP; RXS1-UP						
			P-UB-10	65 mm	4-3/4	CTC-3651270	302.27

REPLACEMENT KITS FOR CATERPILLAR® EQUIPMENT

Backhoe Loaders							
APPLICATION	CYL #	Misc-Parts, Instructions, etc.	CODE	ROD	BORE	KIT #	List \$
MODEL 432E							
COUPLER							
		BXE1-UP; JBA1-UP; RXS1-UP					
			I-U-10	1	2	CTC-1809872	188.66
LOADER BUCKET MP							
		BXE1-UP; RXS1-UP					
			P-UB-10	1-1/2	3	CTC-2350354	54.98
		JBA1-UP; RXS1-UP					
			I-U-10	1-1/2	3	CTC-2309357	88.69
LOADER LIFT							
		BXE1-UP; RXS1-UP					
			P-UB-10	2	85 mm	CTC-2600273	153.19
LOADER TILT							
		BXE1-UP; RXS1-UP					
			P-UB-10	2	75 mm	CTC-2617175	128.07
STEERING							
		BXE1-UP					
		2385238	I-U-10	38 mm	85 mm	CTC-2172886	216.10
MODEL 432F							
COUPLER							
		LNR1-UP; SEJ1-UP					
			I-U-10	1	2	CTC-1809872	188.66
LOADER BUCKET MP							
		LNR1-UP; SEJ1-UP					
			I-U-10	1-1/2	3	CTC-2309357	88.69
MODEL 434E							
BACKHOE BOOM							
		FSH1-UP					
		2689049	P-UB-10	2-3/8	4-3/4	CTC-2350973	159.96
		FSH1-UP; SXB1-UP					
			P-UB-10	2-3/8	4-3/4	CTC-2959893	145.06
BACKHOE BUCKET							
		FSH1-UP; SXB1-UP					
			I-UB-10	2-3/8	85 mm	CTC-3651283	111.14
BACKHOE EXT STICK							
		FSH1-UP; SXB1-UP					
			P-UB-10	1-1/2	3	CTC-3387156	65.04
			P-UB-10	65 mm	4-3/4	CTC-3651270	302.27
BACKHOE STABILIZER							
		FSH1-UP; SXB1-UP					
			P-UB-10	1-3/4	2-3/4	CTC-2342595	222.42
BACKHOE STICK							
		FSH1-UP; SXB1-UP					
			P-UB-10	65 mm	4-3/4	CTC-3651270	302.27
COUPLER							
		FSH1-UP; SJL1-UP; SXB1-UP					
			I-U-10	1	2	CTC-1809872	188.66
LOADER BUCKET MP							
		FSH1-UP					
			P-UB-10	1-1/2	3	CTC-2350354	54.98
		SEF1-UP; SJL1-UP; SXB1-UP					
			I-U-10	1-1/2	3	CTC-2309357	88.69
STEERING							
		FSH1-UP					
			I-U-10	38 mm	85 mm	CTC-2172886	216.10
		FSH1-UP; SEF1-UP; SJL1-UP; SXB1-UP					
			I-U-10	42 mm	85 mm	CTC-2807013	200.70

CATERPILLAR®

REPLACEMENT KITS FOR CATERPILLAR® EQUIPMENT

Backhoe Loaders							
APPLICATION	CYL #	Misc-Parts, Instructions, etc.	CODE	ROD	BORE	KIT #	List \$
MODEL 434F							
COUPLER							
	LDH1-UP						
			I-U-15	3/4	1-1/4	CTC-3611131	66.36
LOADER BUCKET MP							
	FLY1-UP; LDH1-UP						
			I-U-10	1-1/2	3	CTC-2309357	88.69
MODEL 436B							
BACKHOE BOOM							
	6E0274		P-UB-10	2-3/8	4-1/2	CTC-3E8877	250.48
	5KF1-UP						
	6E1670		P-UB-10	2	3-1/2	CTC-2281778	124.32
	9T5222		P-UB-10	2	3-1/2	CTC-2281778	124.32
	6MJ1-UP; 7FL1-UP						
	6E1948	Head 1213395	P-UB-10	2-1/2	5	CTC-2275347	150.12
BACKHOE BUCKET							
	1268316	PTFE piston seal	I-UB-10	2-3/4	3-3/4	CTC-1945603	139.91
	6E0275		I-UB-10	2-1/2	3-1/2	CTC-3E3299	178.67
	6E1809	PTFE piston seal	I-UB-10	2-3/4	3-3/4	CTC-1945603	139.91
	5KF1-805; 5KF806-UP						
	9T7288		I-UB-10	2-3/4	3-3/4	CTC-3E3314	274.21
	5KF806-UP						
	6E3297		I-UB-10	2-3/4	3-3/4	CTC-1939270	162.88
	6MJ1-UP; 7FL1-UP						
	1268316	Nylon piston seal	I-UB-10	2-3/4	3-3/4	CTC-1939270	162.88
	6E1809	Nylon piston seal	I-UB-10	2-3/4	3-3/4	CTC-1939270	162.88
BACKHOE EXT BUCKET							
	6E3692		I-UB-10	2-3/4	3-3/4	CTC-9X2020	174.12
BACKHOE EXT STICK							
	5KF1-UP; 6MJ1-UP; 7FL1-UP						
	6E3662		P-UB-10	1-1/2	3	CTC-2350354	54.98
	9T4809		P-UB-10	1-1/2	3	CTC-2350354	54.98
BACKHOE STICK							
	6MJ1-UP; 7FL1-UP						
	6E1935		P-UB-10	2-3/4	5	CTC-2440958	190.52
BACKHOE SWING							
	6E1864		P-UB-10	2	4	CTC-1328816	148.39
	5KF1-UP						
	4T6879		P-UB-10	2-1/8	4	CTC-2465929	69.16
	6E0093		P-UB-10	2-1/8	4	CTC-2465929	69.16
	6E0095		P-UB-10	2-1/8	4	CTC-2465929	69.16
	9T0529		P-UB-10	2-1/8	4	CTC-2465929	69.16
	6MJ1-UP; 7FL1-UP						
	1166861		P-UB-10	2	4	CTC-2409538	110.44
	6E0288		P-UB-10	2	4	CTC-2409538	110.44
LOADER BUCKET MP							
	5KF1-UP; 6MJ1-UP; 7FL1-UP						
	9T4006		P-UB-10	1-1/2	3	CTC-2350354	54.98
LOADER LIFT							
	5KF1-UP; 6MJ1-UP; 7FL1-UP						
	1070624		P-UB-10	1-7/8	3-1/4	CTC-2465926	70.71
	6E0103		P-UB-10	1-7/8	3-1/4	CTC-2465926	70.71
	9T0415		P-UB-10	1-7/8	3-1/4	CTC-2465926	70.71

REPLACEMENT KITS FOR CATERPILLAR® EQUIPMENT

Backhoe Loaders							
APPLICATION	CYL #	Misc-Parts, Instructions, etc.	CODE	ROD	BORE	KIT #	List \$
MODEL 436B							
LOADER TILT							
5KF1-UP; 6MJ1-UP; 7FL1-UP							
1071855			P-UB-10	2	3-1/2	CTC-2281778	124.32
1074346			P-UB-10	2	3-1/2	CTC-2281778	124.32
6E0113			P-UB-10	2	3-1/2	CTC-2281778	124.32
9T5371			P-UB-10	2	3-1/2	CTC-2281778	124.32
STABILIZER							
9T2993			P-UB-10	2-1/8	4	CTC-9X2400	190.64
9T2994			P-UB-10	2-1/8	4	CTC-9X2400	190.64
5KF1-UP; 6MJ1-UP; 7FL1-UP							
1052323			P-UB-10	2-1/8	4	CTC-2465929	69.16
1052358			P-UB-10	2-1/8	4	CTC-2465929	69.16
1164365			P-UB-10	2-1/8	4	CTC-2465929	69.16
1164366			P-UB-10	2-1/8	4	CTC-2465929	69.16
1164367			P-UB-10	2-1/8	4	CTC-2465929	69.16
1164368			P-UB-10	2-1/8	4	CTC-2465929	69.16
1165353			P-UB-10	2-1/8	4	CTC-2465929	69.16
1165354			P-UB-10	2-1/8	4	CTC-2465929	69.16
1302364			P-UB-10	2-1/8	4	CTC-2465929	69.16
1302365			P-UB-10	2-1/8	4	CTC-2465929	69.16
6E0097			P-UB-10	2-1/8	4	CTC-2465929	69.16
6E0099			P-UB-10	2-1/8	4	CTC-2465929	69.16
9T7391			P-UB-10	2-1/8	4	CTC-2465929	69.16
9T7392			P-UB-10	2-1/8	4	CTC-2465929	69.16
STABILIZER RH							
9T7069			P-UB-10	2-1/8	4	CTC-8T3593	113.57
STEERING							
5KF1-1552							
9T1493			P-UB-10	1-7/8	3	CTC-2465925	185.63
5KF1553-UP; 6MJ1-UP; 7FL1-UP							
6E5190			P-UB-10	1-7/8	3	CTC-2465927	175.31
MODEL 436C							
BACKHOE BOOM							
1118211			P-UB-10	2-5/8	5-1/4	CTC-1361908	282.90
1FR1-1415; 1PR1-1598; 1RR1-997; 2AR1-1603; 2BR1-910; 8TN1-924; 9JN1-883							
6E1948	Head 1213395		P-UB-10	2-1/2	5	CTC-2275347	150.12
6E1948	Head 6E1953		P-UB-10	2-1/2	5	CTC-2430384	129.73
BACKHOE BUCKET							
1118216			I-UB-10	2-3/4	3-3/4	CTC-9X2020	174.12
1268316	PTFE piston seal		I-UB-10	2-3/4	3-3/4	CTC-1945603	139.91
9T6305			I-UB-10	2-3/4	3-3/4	CTC-9X2020	174.12
1FR1-UP; 1PR1-UP; 1RR1-1099; 2AR1-UP; 2BR1-999; 8TN1-UP; 9JN1-1049							
1268316	Nylon piston seal		I-UB-10	2-3/4	3-3/4	CTC-1939270	162.88
BACKHOE EXT BUCKET							
1144828			I-UB-10	2-3/4	3-3/4	CTC-9X2020	174.12
6E3692			I-UB-10	2-3/4	3-3/4	CTC-9X2020	174.12
9T4760			I-UB-10	2-3/4	3-3/4	CTC-9X2020	174.12
BACKHOE EXT STICK							
6E5383			P-UB-10	1-3/4	3	CTC-7X2825	85.90
1FR1-1421; 1PR1-1815; 1RR1-UP; 2AR1-1874; 2BR1-UP; 8TN1-1315; 9JN1-UP							
1535735			P-UB-10	1-1/2	3	CTC-2350354	54.98
1647178			P-UB-10	1-1/2	3	CTC-2350354	54.98
6E3662			P-UB-10	1-1/2	3	CTC-2350354	54.98

REPLACEMENT KITS FOR CATERPILLAR® EQUIPMENT

Backhoe Loaders							
APPLICATION	CYL #	Misc-Parts, Instructions, etc.	CODE	ROD	BORE	KIT #	List \$
MODEL 436C							
BACKHOE STICK							
	1118213		P-UB-10	3	5-1/4	CTC-3E3293	284.34
	1239707		P-UB-10	1-3/4	3	CTC-7X2825	85.90
	6E1936		P-UB-10	2-3/4	5	CTC-3E8878	291.34
	6E3062		P-UB-10	3	5-1/4	CTC-3E3293	284.34
	6E3314		P-UB-10	3	5-1/4	CTC-3E3293	284.34
	9T8823		I-U-3	1	2	CTC-9T0418	146.42
	9T9186		P-UB-10	3	5-1/4	CTC-3E3293	284.34
	1FR1-1421; 1PR1-1815; 1RR1-UP; 2AR1-1874; 2BR1-UP; 8TN1-1315; 9JN1-UP						
	6E1935		P-UB-10	2-3/4	5	CTC-2440958	190.52
BACKHOE SWING							
	1121765		P-UB-10	2	4	CTC-1113302	190.32
	6E5219		P-UB-10	2	4	CTC-1113302	190.32
	1FR1-1421; 1PR1-1815; 1RR1-UP; 2AR1-1874; 2BR1-UP; 8TN1-1315; 9JN1-UP						
	1166861		P-UB-10	2	4	CTC-2409538	110.44
	1699529		P-UB-10	2	4	CTC-2409538	110.44
BACKHOE SWING LH							
	9T1701		P-UB-10	2-1/8	4	CTC-9X2400	190.64
BACKHOE SWING RH							
	9T1230		P-UB-10	2-1/8	4	CTC-9X2400	190.64
COUPLER							
	1PR1-UP; 1RR1-UP; 2AR1-UP; 2BR1-UP						
	1783713		I-U-10	1	2	CTC-1809872	188.66
LOADER BUCKET MP							
	1FR1-1421; 1PR1-1815; 1RR1-UP; 2AR1-1874; 2BR1-UP; 8TN1-1315; 9JN1-UP						
	1851839		P-UB-10	1-1/2	3	CTC-2350354	54.98
	9T4006		P-UB-10	1-1/2	3	CTC-2350354	54.98
LOADER LIFT							
	1117712		P-UB-10	2-1/4	3-3/4	CTC-1361897	215.59
	1257895		P-UB-10	2-1/4	3-3/4	CTC-1361897	215.59
	9T2997		P-UB-10	2	3-3/4	CTC-7X7938	167.35
	1FR1-1421; 1PR1-1815; 1RR1-UP; 2AR1-1874; 2BR1-UP; 8TN1-1315; 9JN1-UP						
	1108688		P-UB-10	2	3-1/2	CTC-2281778	124.32
	1110888		P-UB-10	2	3-1/2	CTC-2281778	124.32
	1216764		P-UB-10	2	3-1/2	CTC-2281778	124.32
	1235087		P-UB-10	2	3-1/2	CTC-2281778	124.32
	1235089		P-UB-10	2	3-1/2	CTC-2281778	124.32
LOADER TILT							
	1007844		P-UB-10	2	4	CTC-1328816	148.39
	9T2995		P-UB-10	2	4	CTC-1328816	148.39
	1FR1-UP; 8TN1-UP; 9JN1-UP						
	1071855		P-UB-10	2	3-1/2	CTC-2281778	124.32
	1074346		P-UB-10	2	3-1/2	CTC-2281778	124.32
	1836100		P-UB-10	2	3-1/2	CTC-2281778	124.32
	6E0113		P-UB-10	2	3-1/2	CTC-2281778	124.32
	1PR1-UP; 1RR1-UP; 2AR1-UP; 2BR1-UP						
	1121822		P-UB-10	2	3	CTC-2384462	71.73
	1235091		P-UB-10	2	3	CTC-2384462	71.73
	1235093		P-UB-10	2	3	CTC-2384462	71.73
	1835158		P-UB-10	2	3	CTC-2384462	71.73
STABILIZER LH							
	1329701		P-UB-10	2-1/8	4	CTC-1305923	218.57
	1521806		P-UB-10	2-1/8	4	CTC-2465929	69.16
	9T2994		P-UB-10	2-1/8	4	CTC-1305923	218.57

REPLACEMENT KITS FOR CATERPILLAR® EQUIPMENT

Backhoe Loaders							
APPLICATION	CYL #	Misc-Parts, Instructions, etc.	CODE	ROD	BORE	KIT #	List \$
MODEL 436C							
STABILIZER LH							
1FR1-1415; 1PR1-1603; 1RR1-997; 2AR1-1616; 2BR1-910; 8TN1-933; 9JN1-883							
1311846	Head 9T6388		P-UB-10	2-1/8	4	CTC-2465929	69.16
1311847	Head 9T6388		P-UB-10	2-1/8	4	CTC-2465929	69.16
1FR1416-UP; 1PR1599-UP; 1RR998-UP; 2AR1604-UP; 2BR911-UP; 8TN925-UP; 9JN884-UP							
1521796	Head 1521863		P-UB-10	2-1/8	4	CTC-2465928	271.88
1521806	Head 1521863		P-UB-10	2-1/8	4	CTC-2465928	271.88
1731926	Head 1521863		P-UB-10	2-1/8	4	CTC-2465928	271.88
1731927	Head 1521863		P-UB-10	2-1/8	4	CTC-2465928	271.88
STABILIZER RH							
1329700			P-UB-10	2-1/8	4	CTC-1305923	218.57
1521796			P-UB-10	2-1/8	4	CTC-2465929	69.16
9T2993			P-UB-10	2-1/8	4	CTC-1305923	218.57
STEERING							
1156437			P-UB-10	1-3/4	2-1/2	CTC-1539054	181.05
1FR1-UP; 1PR1-1598; 1RR1-UP; 2AR1-1603; 2BR1-UP; 8TN1-UP; 9JN1-UP							
1787190			I-U-10	36 mm	65 mm	CTC-1787189	398.89
2AR1-1603; 2BR1-910; 8TN1-924; 9JN1-883							
1156437	Head 6E4941		P-UB-10	1-3/4	2-3/4	CTC-2350352	161.04
2AR1-UP; 2BR1-UP; 8TN1-UP; 9JN1-UP							
1156437	Head 1515349		P-UB-10	1-3/4	2-3/4	CTC-2350351	232.00
1674235	Head 1515349		P-UB-10	1-3/4	2-3/4	CTC-2350351	232.00
MODEL 438B							
BACKHOE BOOM							
3DJ1-UP							
9T5219			P-UB-10	1-7/8	3-1/4	CTC-2465926	70.71
3KK1-UP							
6E0274			P-UB-10	2-3/8	4-1/2	CTC-2418924	121.58
BACKHOE BUCKET							
1268308			I-UB-10	2-1/2	3-1/2	CTC-3E3299	178.67
6E0275			I-UB-10	2-1/2	3-1/2	CTC-3E3299	178.67
3DJ1-UP							
9T7288			I-UB-10	2-3/4	3-3/4	CTC-3E3314	274.21
3KK1-UP							
1268312			I-UB-10	2-3/4	3-3/4	CTC-1939270	162.88
6E3693			I-UB-10	2-3/4	3-3/4	CTC-1939270	162.88
BACKHOE EXT BUCKET							
6E2421			I-UB-10	2-3/4	3-3/4	CTC-1945603	139.91
3KK1-2999							
6E2421			I-UB-10	2-3/4	3-3/4	CTC-2235944	126.77
3KK1-UP							
6E1964			I-UB-10	2-1/2	3-1/2	CTC-1864327	114.03
BACKHOE EXT STICK							
3DJ1-UP; 3KK1-UP							
6E0404			P-UB-10	1-1/2	3	CTC-2350354	54.98
9T4809			P-UB-10	1-1/2	3	CTC-2350354	54.98
3KK3000-UP							
6E2421			I-UB-10	2-3/4	3-3/4	CTC-2235944	126.77
BACKHOE STICK							
6E0290	Rod Bearing width- 0.98"		P-UB-10	2-1/2	4-1/2	CTC-2310898	120.66
3DJ1-UP							
6E0089			P-UB-10	2-1/2	4-1/4	CTC-2422538	91.30
9T7291			P-UB-10	2-1/2	4-1/4	CTC-2422538	91.30
3KK1-2999							
6E0290	Head 6E1405; Rod Bearing width- 1.25		P-UB-10	2-1/2	4-1/2	CTC-2435798	121.01

REPLACEMENT KITS FOR CATERPILLAR® EQUIPMENT

Backhoe Loaders							
APPLICATION	CYL #	Misc-Parts, Instructions, etc.	CODE	ROD	BORE	KIT #	List \$
MODEL 438B							
BACKHOE STICK							
3KK1-UP							
	1097021	Head 1213398	P-UB-10	2-1/2	4-1/2	CTC-2310898	120.66
BACKHOE SWING							
3DJ1-UP							
	6E0115		P-UB-10	2-1/8	4	CTC-2465929	69.16
	6E0117		P-UB-10	2-1/8	4	CTC-2465929	69.16
	9T0420		P-UB-10	2-1/8	4	CTC-2465929	69.16
	9T0421		P-UB-10	2-1/8	4	CTC-2465929	69.16
3KK1-UP							
	1166858		P-UB-10	2	4	CTC-2409538	110.44
	1166861		P-UB-10	2	4	CTC-2409538	110.44
	6E0288		P-UB-10	2	4	CTC-2409538	110.44
	6E1864		P-UB-10	2	4	CTC-2409538	110.44
LOADER BUCKET MP							
3DJ1-UP; 3KK1-UP							
	9T4006		P-UB-10	1-1/2	3	CTC-2350354	54.98
LOADER LIFT							
3DJ1-UP; 3KK1-UP							
	1070624		P-UB-10	1-7/8	3-1/4	CTC-2465926	70.71
	6E0103		P-UB-10	1-7/8	3-1/4	CTC-2465926	70.71
	9T0415		P-UB-10	1-7/8	3-1/4	CTC-2465926	70.71
LOADER TILT							
3DJ1-UP; 3KK1-UP							
	1071855		P-UB-10	2	3-1/2	CTC-2281778	124.32
	6E0113		P-UB-10	2	3-1/2	CTC-2281778	124.32
	9T5371		P-UB-10	2	3-1/2	CTC-2281778	124.32
SIDESHIFT							
	1166858		P-UB-10	2	4	CTC-2409538	110.44
SIDESHIFT RH							
	1166858		P-UB-10	2	4	CTC-2409538	110.44
STABILIZER							
	1266950	Head# 1515349	P-UB-10	1-3/4	2-3/4	CTC-2342595	222.42
	6E3483	Head# 1515349	P-UB-10	1-3/4	2-3/4	CTC-2342595	222.42
3DJ1-UP; 3KK1-UP							
	1266950	Head 6E4941	P-UB-10	1-3/4	2-3/4	CTC-2402482	65.74
	6E0119		P-UB-10	1-3/4	2-3/4	CTC-2402482	65.74
	6E3483	Head 6E4941	P-UB-10	1-3/4	2-3/4	CTC-2402482	65.74
	9T0527		P-UB-10	1-3/4	2-3/4	CTC-2402482	65.74
	9T9709		P-UB-10	1-3/4	2-3/4	CTC-2402482	65.74
STEERING							
3DJ1-UP							
	9T1493		P-UB-10	1-7/8	3	CTC-2465925	185.63
MODEL 438C							
BACKHOE BOOM							
1JR1107-UP; 1TR1284-UP; 2DR2717-UP; 9KN1061-UP							
	1529148		P-UB-10	2-3/8	4-3/4	CTC-2350973	159.96
1JR1-1106; 1TR1-1283; 2DR1-2716; 9KN1-1060							
	6E0274		P-UB-10	2-3/8	4-1/2	CTC-2418924	121.58
BACKHOE BUCKET							
	6E3693		I-UB-10	2-3/4	3-3/4	CTC-1361990	263.22
1JR1-UP; 1TR1-1549; 2DR1-3249; 9KN1-UP							
	1268312		I-UB-10	2-3/4	3-3/4	CTC-1939270	162.88
BACKHOE EXT BUCKET							
	6E2421	PTFE piston seal	I-UB-10	2-3/4	3-3/4	CTC-1945603	139.91

REPLACEMENT KITS FOR CATERPILLAR® EQUIPMENT

Backhoe Loaders							
APPLICATION	CYL #	Misc-Parts, Instructions, etc.	CODE	ROD	BORE	KIT #	List \$
MODEL 438C							
BACKHOE EXT BUCKET							
1JR1-1155; 1TR1-2096; 2DR1-3741; 9KN1-1418							
1668141			I-UB-10	2-3/4	3-3/4	CTC-1939270	162.88
6E2421	Nylon piston seal		I-UB-10	2-3/4	3-3/4	CTC-1939270	162.88
1JR1-UP; 1TR1-1549; 2DR1-3249; 9KN1-UP							
6E1964			I-UB-10	2-1/2	3-1/2	CTC-1864327	114.03
BACKHOE EXT STICK							
1JR1-1155; 1TR1-2096; 2DR1-3741; 9KN1-1418							
1647174			P-UB-10	1-1/2	3	CTC-2350354	54.98
6E0404			P-UB-10	1-1/2	3	CTC-2350354	54.98
BACKHOE STICK							
1JR1107-UP; 1TR1374-UP; 2DR3157-UP; 9KN1061-UP							
1734015	Head 1843711		P-UB-10	2-1/2	4-1/2	CTC-2435805	117.64
1JR1-1155; 1TR1-2096; 2DR1-3741; 9KN1-1418							
1097021	Head 1213398 or 1747432		P-UB-10	2-1/2	4-1/2	CTC-2310898	120.66
1734015	Head 1213398 or 1747432		P-UB-10	2-1/2	4-1/2	CTC-2310898	120.66
BACKHOE SWING							
1JR1-1155; 1TR1-2096; 2DR1-3741; 9KN1-1418							
1166858			P-UB-10	2	4	CTC-2409538	110.44
1166861			P-UB-10	2	4	CTC-2409538	110.44
1699529			P-UB-10	2	4	CTC-2409538	110.44
1699530			P-UB-10	2	4	CTC-2409538	110.44
COUPLER							
1TR1-UP; 2DR1-UP							
1783713			I-U-10	1	2	CTC-1809872	188.66
LOADER BUCKET MP							
1JR1-1155; 1TR1-2096; 2DR1-3741; 9KN1-1418							
1851839			P-UB-10	1-1/2	3	CTC-2350354	54.98
9T4006			P-UB-10	1-1/2	3	CTC-2350354	54.98
LOADER LIFT							
1JR1-UP; 9KN1-UP							
1070624			P-UB-10	1-7/8	3-1/4	CTC-2465926	70.71
6E0103			P-UB-10	1-7/8	3-1/4	CTC-2465926	70.71
9T0415			P-UB-10	1-7/8	3-1/4	CTC-2465926	70.71
1TR1-UP; 2DR1-UP							
1110888			P-UB-10	2	3-1/2	CTC-2281778	124.32
1235089			P-UB-10	2	3-1/2	CTC-2281778	124.32
LOADER TILT							
1JR1-UP; 9KN1-UP							
1071855			P-UB-10	2	3-1/2	CTC-2281778	124.32
1074346			P-UB-10	2	3-1/2	CTC-2281778	124.32
1836100			P-UB-10	2	3-1/2	CTC-2281778	124.32
6E0113			P-UB-10	2	3-1/2	CTC-2281778	124.32
1TR1-UP; 2DR1-UP							
1121822			P-UB-10	2	3	CTC-2384462	71.73
1235091			P-UB-10	2	3	CTC-2384462	71.73
1235093			P-UB-10	2	3	CTC-2384462	71.73
1835158			P-UB-10	2	3	CTC-2384462	71.73
SIDESHIFT							
1166858			P-UB-10	2	4	CTC-2409538	110.44
SIDESHIFT RH							
1166858			P-UB-10	2	4	CTC-2409538	110.44
STABILIZER							
1JR1107-UP; 1TR1-UP; 2DR1-UP; 9KN1061-UP							
1266950	Head 1515349		P-UB-10	1-3/4	2-3/4	CTC-2342595	222.42
1734565	Head 1515349		P-UB-10	1-3/4	2-3/4	CTC-2342595	222.42

CATERPILLAR®

REPLACEMENT KITS FOR CATERPILLAR® EQUIPMENT

Backhoe Loaders							
APPLICATION	CYL #	Misc-Parts, Instructions, etc.	CODE	ROD	BORE	KIT #	List \$
MODEL 438C							
STABILIZER							
	1JR1-1149; 1TR1-1549; 2DR1-3249; 9KN1-1199						
	1266950	Head 6E4941	P-UB-10	1-3/4	2-3/4	CTC-2402482	65.74
STEERING							
	1JR1-1155; 1TR1-2096; 2DR1-3741; 9KN1-1418						
	1787190		I-U-10	36 mm	65 mm	CTC-1787189	398.89
UNSPECIFIED APPLICATION							
	1235087		P-UB-10	2	3-1/2	CTC-7X2783	164.74
	9T8823		I-U-3	1	2	CTC-9T0418	146.42
MODEL 438D							
BACKHOE BOOM							
	BPE1-742; BPN1-549						
			P-UB-10	2-3/8	4-3/4	CTC-2350973	159.96
BACKHOE BUCKET							
	BPE1-742; BPN1-549						
	1668140		I-UB-10	2-3/4	3-3/4	CTC-1939270	162.88
	1668141		I-UB-10	2-3/4	3-3/4	CTC-1939270	162.88
	1804849		I-UB-10	2-1/2	3-1/2	CTC-2235945	115.37
	1917835		I-UB-10	2-3/4	3-3/4	CTC-2315021	118.58
	1917839		I-UB-10	2-3/4	3-3/4	CTC-2315021	118.58
BACKHOE EXT STICK							
	BPE1-511; BPN1-364						
	1647174		P-UB-10	1-1/2	3	CTC-2350354	54.98
BACKHOE STICK							
	BPE1-511; BPN1-364						
			P-UB-10	2-1/2	4-1/2	CTC-2435805	117.64
	BPE512-UP; BPN365-UP						
			P-UB-10	2-1/2	4-1/2	CTC-2297194	88.26
BACKHOE SWING							
	BPE1-511; BPN1-364						
	1699529		P-UB-10	2	4	CTC-2409538	110.44
	1699530		P-UB-10	2	4	CTC-2409538	110.44
	BPE512-UP; BPN365-UP						
			P-UB-10	2	4	CTC-2618625	74.87
LOADER BUCKET MP							
	BPE1-742; BPN1-549						
	1851839		P-UB-10	1-1/2	3	CTC-2350354	54.98
LOADER LIFT							
	BPE1-511; BPN1-364						
	1807490		P-UB-10	2	85 mm	CTC-2410110	197.42
	BPE512-UP; BPN365-UP						
			P-UB-10	2	85 mm	CTC-2600273	153.19
LOADER TILT							
	BPE1-511; BPN1-364						
	1832848		P-UB-10	2	75 mm	CTC-2410109	145.98
	BPE512-UP; BPN365-UP						
			P-UB-10	2	75 mm	CTC-2617175	128.07
STABILIZER							
	BPE1-742; BPN1-549						
	1734565		P-UB-10	1-3/4	2-3/4	CTC-2342595	222.42
STEERING							
	BPE1-742; BPN1-549						
	1787190		I-U-10	36 mm	65 mm	CTC-1787189	398.89

REPLACEMENT KITS FOR CATERPILLAR® EQUIPMENT

Backhoe Loaders							
APPLICATION	CYL #	Misc-Parts, Instructions, etc.	CODE	ROD	BORE	KIT #	List \$
MODEL 442D							
BACKHOE BOOM							
		BRG1-1122; BRY1-890; SMJ1-UP; TBD1-UP					
			P-UB-10	2-3/8	4-3/4	CTC-2350973	159.96
BACKHOE BUCKET							
		BRG1-1122; BRY1-890; SMJ1-UP; TBD1-UP					
	1804849		I-UB-10	2-1/2	3-1/2	CTC-2235945	115.37
	1917835		I-UB-10	2-3/4	3-3/4	CTC-2315021	118.58
	1917839		I-UB-10	2-3/4	3-3/4	CTC-2315021	118.58
		BRG1-827; BRY1-746					
	1668140		I-UB-10	2-3/4	3-3/4	CTC-1939270	162.88
	1668141		I-UB-10	2-3/4	3-3/4	CTC-1939270	162.88
BACKHOE EXT STICK							
		BRG1-649; BRY1-623					
	1647174		P-UB-10	1-1/2	3	CTC-2350354	54.98
BACKHOE STICK							
		BRG1-649; BRY1-623					
			P-UB-10	2-1/2	4-1/2	CTC-2435805	117.64
		BRG650-UP; BRY624-UP; SMJ1-UP; TBD1-UP					
			P-UB-10	2-1/2	4-1/2	CTC-2297194	88.26
BACKHOE SWING							
		BRG1-649; BRY1-623					
	1699529		P-UB-10	2	4	CTC-2409538	110.44
	1699530		P-UB-10	2	4	CTC-2409538	110.44
		BRG650-UP; BRY624-UP; SMJ1-233; TBD1-287					
			P-UB-10	2	4	CTC-2618625	74.87
COUPLER							
		BRG1-1122; BRY1-890; SMJ1-UP; TBD1-UP					
			I-U-10	1	2	CTC-1809872	188.66
LOADER BUCKET MP							
		BRG1-1122; BRY1-890; SMJ1-UP; TBD1-UP					
	1851839		P-UB-10	1-1/2	3	CTC-2350354	54.98
LOADER LIFT							
		BRG1-649; BRY1-623					
	1807490		P-UB-10	2	85 mm	CTC-2410110	197.42
		BRG650-UP; BRY624-UP; SMJ1-UP; TBD1-UP					
			P-UB-10	2	85 mm	CTC-2600273	153.19
LOADER TILT							
		BRG1-649; BRY1-623					
	1832848		P-UB-10	2	75 mm	CTC-2410109	145.98
		BRG650-UP; BRY624-UP; SMJ1-UP; TBD1-UP					
			P-UB-10	2	75 mm	CTC-2617175	128.07
STABILIZER							
		BRG1-1122; BRY1-890; SMJ1-UP; TBD1-UP					
	1734565		P-UB-10	1-3/4	2-3/4	CTC-2342595	222.42
STEERING							
		BRG1-UP; BRY1-UP					
	1787190		I-U-10	36 mm	65 mm	CTC-1787189	398.89
MODEL 442E							
BACKHOE BOOM							
		GKZ1-UP; PCR1-UP					
			P-UB-10	3	5-1/4	CTC-3769015	228.41
BACKHOE BUCKET							
		GKZ1-UP; PCR1-UP					
			I-UB-10	2-3/4	3-3/4	CTC-3651342	172.57

REPLACEMENT KITS FOR CATERPILLAR® EQUIPMENT

Backhoe Loaders							
APPLICATION	CYL #	Misc-Parts, Instructions, etc.	CODE	ROD	BORE	KIT #	List \$
MODEL 442E							
BACKHOE EXT STICK							
		GKZ1-UP; PCR1-UP					
			P-UB-10	1-1/2	3	CTC-3387156	65.04
			P-UB-10	2-1/2	5	CTC-3653007	187.27
BACKHOE STICK							
		GKZ1-UP; PCR1-UP					
			P-UB-10	2-1/2	5	CTC-3653007	187.27
COUPLER							
		EME1-UP; GKZ1-UP; PCR1-UP					
			I-U-10	1	2	CTC-1809872	188.66
LOADER BUCKET MP							
		EME1-UP; PCR1-UP					
			I-U-10	1-1/2	3	CTC-2309357	88.69
		GKZ1-UP					
			P-UB-10	1-1/2	3	CTC-2350354	54.98
LOADER LIFT							
		GKZ1-UP; PCR1-UP					
			P-UB-10	2	85 mm	CTC-2600273	153.19
LOADER TILT							
		GKZ1-UP; PCR1-UP					
			P-UB-10	2	75 mm	CTC-2617175	128.07
STABILIZER							
		GKZ1-UP; PCR1-UP					
			P-UB-10	1-3/4	2-3/4	CTC-2342595	222.42
MODEL 444E							
BACKHOE BOOM							
		HXB1-UP; LBE1-UP					
			P-UB-10	3	5-1/4	CTC-3769015	228.41
BACKHOE BUCKET							
		HXB1-UP; LBE1-UP					
			I-UB-10	2-3/4	3-3/4	CTC-3651342	172.57
BACKHOE EXT STICK							
		HXB1-UP; LBE1-UP					
			P-UB-10	2-1/2	5	CTC-3653007	187.27
		HXB1-UP; LBE1-UP; NBA1-UP					
			P-UB-10	1-1/2	3	CTC-3387156	65.04
BACKHOE STICK							
		HXB1-UP; LBE1-UP					
			P-UB-10	2-1/2	5	CTC-3653007	187.27
COUPLER							
		HXB1-UP; LBE1-UP; NBA1-UP					
			I-U-10	1	2	CTC-1809872	188.66
LOADER BUCKET MP							
		HXB1-UP; NBA1-UP					
			I-U-10	1-1/2	3	CTC-2309357	88.69
		LBE1-UP					
			P-UB-10	1-1/2	3	CTC-2350354	54.98
STABILIZER							
		HXB1-UP; LBE1-UP					
			P-UB-10	1-3/4	2-3/4	CTC-2342595	222.42
STEERING							
		HXB1-UP; LBE1-UP; NBA1-UP					
			I-U-10	42 mm	85 mm	CTC-2807013	200.70

REPLACEMENT KITS FOR CATERPILLAR® EQUIPMENT

Backhoe Loaders							
APPLICATION	CYL #	Misc-Parts, Instructions, etc.	CODE	ROD	BORE	KIT #	List \$
MODEL 444F							
COUPLER							
FBN1-UP; LJJ1-UP							
			I-U-10	1	2	CTC-1809872	188.66
LJJ1-UP							
			I-U-15	3/4	1-1/4	CTC-3611131	66.36
LOADER BUCKET MP							
FBN1-UP; LJJ1-UP							
			I-U-10	1-1/2	3	CTC-2309357	88.69
MODEL 446							
BACKHOE BOOM							
5BL1-UP; 6XF1-UP							
1118211			P-UB-10	2-5/8	5-1/4	CTC-2350970	170.97
9T6385			P-UB-10	2-5/8	5-1/4	CTC-2350970	170.97
BACKHOE BUCKET							
9T6305	PTFE piston seal		I-UB-10	2-3/4	3-3/4	CTC-1945603	139.91
5BL1-UP; 6XF1-UP							
1118217			I-UB-10	2-3/4	3-3/4	CTC-1939270	162.88
1628063			I-UB-10	2-3/4	3-3/4	CTC-1939270	162.88
9T6305	Nylon piston seal		I-UB-10	2-3/4	3-3/4	CTC-1939270	162.88
BACKHOE EXT BUCKET							
1144828	PTFE piston seal		I-UB-10	2-3/4	3-3/4	CTC-1945603	139.91
BACKHOE EXT STICK							
5BL1-UP; 6XF1-UP							
1144828	Nylon piston seal		I-UB-10	2-3/4	3-3/4	CTC-1939270	162.88
1239707			P-UB-10	1-3/4	3	CTC-2275350	53.51
6E5383			P-UB-10	1-3/4	3	CTC-2275350	53.51
9T2107			P-UB-10	1-3/4	3	CTC-2275350	53.51
9T4760			I-UB-10	2-3/4	3-3/4	CTC-1939270	162.88
BACKHOE STICK							
1118213			P-UB-10	3	5-1/4	CTC-3E3293	284.34
6E3062			P-UB-10	3	5-1/4	CTC-3E3293	284.34
6E3314			P-UB-10	3	5-1/4	CTC-3E3293	284.34
9T9186			P-UB-10	3	5-1/4	CTC-3E3293	284.34
5BL1-UP; 6XF1-UP							
			P-UB-10	3	5-1/4	CTC-2281776	173.42
BACKHOE SWING							
5BL1-UP							
1121765			P-UB-10	2	4	CTC-2409538	110.44
1699531			P-UB-10	2	4	CTC-2409538	110.44
6E5219			P-UB-10	2	4	CTC-2409538	110.44
6XF1-UP							
9T1230			P-UB-10	2-1/8	4	CTC-2465929	69.16
9T1701	PTFE piston seal		P-UB-10	2-1/8	4	CTC-2465929	69.16
BACKHOE SWING LH							
9T1701	Nylon piston seal		P-UB-10	2-1/8	4	CTC-2465931	239.23
BACKHOE SWING RH							
9T1230	Nylon piston seal		P-UB-10	2-1/8	4	CTC-2465931	239.23
LOADER BUCKET MP							
5BL1-UP							
6Q2195			I,P-U-15	1-1/2	3-1/2	CTC-6Q2203	91.87
5BL2500-UP							
			P-UB-10	1-3/4	3-1/2	CTC-2401881	115.17
			I-U-10	40 mm	3-1/2	CTC-2711529	39.90
LOADER LIFT							
5BL1-499; 6XF1-UP							
9T2997			P-UB-10	2	3-3/4	CTC-2409518	245.42

REPLACEMENT KITS FOR CATERPILLAR® EQUIPMENT

Backhoe Loaders							
APPLICATION	CYL #	Misc-Parts, Instructions, etc.	CODE	ROD	BORE	KIT #	List \$
MODEL 446							
LOADER LIFT							
5BL500-UP							
	1117712		P-UB-10	2-1/4	3-3/4	CTC-2350969	266.34
	1257895		P-UB-10	2-1/4	3-3/4	CTC-2350969	266.34
LOADER TILT							
	1007844	Nylon piston seal	P-UB-10	2	4	CTC-2409538	110.44
	9T2995	Nylon piston seal	P-UB-10	2	4	CTC-2409538	110.44
5BL1-UP; 6XF1-UP							
	1007844	PTFE piston seal	P-UB-10	2	4	CTC-2339205	68.83
	9T2995	PTFE piston seal	P-UB-10	2	4	CTC-2339205	68.83
STABILIZER							
	9T2993	Nylon piston seal	P-UB-10	2-1/8	4	CTC-2465931	239.23
	9T2994	Nylon piston seal	P-UB-10	2-1/8	4	CTC-2465931	239.23
5BL1-2933; 6XF1-UP							
	1329700		P-UB-10	2-1/8	4	CTC-2465929	69.16
	1329701		P-UB-10	2-1/8	4	CTC-2465929	69.16
	9T2993	PTFE piston seal	P-UB-10	2-1/8	4	CTC-2465929	69.16
	9T2994	PTFE piston seal	P-UB-10	2-1/8	4	CTC-2465929	69.16
5BL2934-UP							
			P-UB-10	2-1/2	4	CTC-2341949	78.76
STABILIZER LH							
	1329701		P-UB-10	2-1/8	4	CTC-1305923	218.57
	9T2994	PTFE piston seal	P-UB-10	2-1/8	4	CTC-2465929	69.16
STABILIZER RH							
	1329700		P-UB-10	2-1/8	4	CTC-1305923	218.57
	9T2993	PTFE piston seal	P-UB-10	2-1/8	4	CTC-2465929	69.16
STEERING							
5BL1-UP; 6XF1-UP							
	9T1834		P-UB-10	2-1/8	3-1/4	CTC-9X2031	349.31
MODEL 446B							
BACKHOE BOOM							
5BL1-UP; 6XF1-UP							
	1118211		P-UB-10	2-5/8	5-1/4	CTC-2350970	170.97
	9T6385		P-UB-10	2-5/8	5-1/4	CTC-2350970	170.97
BACKHOE BUCKET							
	1118217	PTFE piston seal	I-UB-10	2-3/4	3-3/4	CTC-1945603	139.91
	9T6305	PTFE piston seal	I-UB-10	2-3/4	3-3/4	CTC-1945603	139.91
5BL1-UP; 6XF1-UP							
	1118217	Nylon piston seal	I-UB-10	2-3/4	3-3/4	CTC-1939270	162.88
	1628063	Nylon piston seal	I-UB-10	2-3/4	3-3/4	CTC-1939270	162.88
	9T6305	Nylon piston seal	I-UB-10	2-3/4	3-3/4	CTC-1939270	162.88
BACKHOE EXT BUCKET							
	1144828	PTFE piston seal	I-UB-10	2-3/4	3-3/4	CTC-1945603	139.91
	9T4760	PTFE piston seal	I-UB-10	2-3/4	3-3/4	CTC-1945603	139.91
BACKHOE EXT STICK							
5BL1-UP; 6XF1-UP							
	1144828	Nylon piston seal	I-UB-10	2-3/4	3-3/4	CTC-1939270	162.88
	1239707		P-UB-10	1-3/4	3	CTC-2275350	53.51
	6E5383		P-UB-10	1-3/4	3	CTC-2275350	53.51
	9T2107		P-UB-10	1-3/4	3	CTC-2275350	53.51
	9T4760		I-UB-10	2-3/4	3-3/4	CTC-1939270	162.88

REPLACEMENT KITS FOR CATERPILLAR® EQUIPMENT

Backhoe Loaders							
APPLICATION	CYL #	Misc-Parts, Instructions, etc.	CODE	ROD	BORE	KIT #	List \$
MODEL 446B							
BACKHOE STICK							
	1118213		P-UB-10	3	5-1/4	CTC-3E3293	284.34
	1239707		P-UB-10	1-3/4	3	CTC-7X2825	85.90
	6E3062		P-UB-10	3	5-1/4	CTC-3E3293	284.34
	6E3314		P-UB-10	3	5-1/4	CTC-3E3293	284.34
	9T9186		P-UB-10	3	5-1/4	CTC-3E3293	284.34
	5BL1-UP; 6XF1-UP						
			P-UB-10	3	5-1/4	CTC-2281776	173.42
BACKHOE SWING							
	5BL1-UP						
	1121765		P-UB-10	2	4	CTC-2409538	110.44
	1699531		P-UB-10	2	4	CTC-2409538	110.44
	6E5219		P-UB-10	2	4	CTC-2409538	110.44
	6XF1-UP						
	9T1230	PTFE piston seal	P-UB-10	2-1/8	4	CTC-2465929	69.16
	9T1701	PTFE piston seal	P-UB-10	2-1/8	4	CTC-2465929	69.16
BACKHOE SWING LH							
	9T1701	Nylon piston seal	P-UB-10	2-1/8	4	CTC-2465931	239.23
BACKHOE SWING RH							
	9T1230	Nylon piston seal	P-UB-10	2-1/8	4	CTC-2465931	239.23
LOADER BUCKET MP							
	5BL1-UP						
	6Q2195		I,P-U-15	1-1/2	3-1/2	CTC-6Q2203	91.87
	5BL2500-UP						
			P-UB-10	1-3/4	3-1/2	CTC-2401881	115.17
			I-U-10	40 mm	3-1/2	CTC-2711529	39.90
LOADER LIFT							
	5BL1-499; 6XF1-UP						
	9T2997		P-UB-10	2	3-3/4	CTC-2409518	245.42
	5BL500-UP						
	1117712		P-UB-10	2-1/4	3-3/4	CTC-2350969	266.34
	1257895		P-UB-10	2-1/4	3-3/4	CTC-2350969	266.34
LOADER TILT							
	1007844	Nylon piston seal	P-UB-10	2	4	CTC-2409538	110.44
	5BL1-UP; 6XF1-UP						
	1007844		P-UB-10	2	4	CTC-2339205	68.83
	9T2995		P-UB-10	2	4	CTC-2339205	68.83
SIDESHIFT							
	1121765		P-UB-10	2	4	CTC-1113302	190.32
STABILIZER LH							
	5BL1-2933; 6XF1-UP						
	1329700		P-UB-10	2-1/8	4	CTC-2465929	69.16
	1329701		P-UB-10	2-1/8	4	CTC-2465929	69.16
	9T2993		P-UB-10	2-1/8	4	CTC-2465929	69.16
	9T2994		P-UB-10	2-1/8	4	CTC-2465929	69.16
	5BL2934-UP						
			P-UB-10	2-1/2	4	CTC-2341949	78.76
STEERING							
	5BL1-UP; 6XF1-UP						
	9T1834		P-UB-10	2-1/8	3-1/4	CTC-9X2031	349.31
MODEL 446D							
BACKHOE BOOM							
	DBL1-UP						
	1118211		P-UB-10	2-5/8	5-1/4	CTC-2350970	170.97

REPLACEMENT KITS FOR CATERPILLAR® EQUIPMENT

Backhoe Loaders							
APPLICATION	CYL #	Misc-Parts, Instructions, etc.	CODE	ROD	BORE	KIT #	List \$
MODEL 446D							
BACKHOE BUCKET							
DBL1-UP							
	2406029		I-UB-10	2-3/4	3-3/4	CTC-2315021	118.58
	2406030		I-UB-10	2-3/4	3-3/4	CTC-2315021	118.58
BACKHOE EXT STICK							
DBL1-UP							
	2424278		P-UB-10	1-3/4	3	CTC-2342594	63.01
BACKHOE STICK							
DBL1-UP							
	1118213		P-UB-10	3	5-1/4	CTC-2281776	173.42
BACKHOE SWING							
DBL1-426							
	1699531		P-UB-10	2	4	CTC-2409538	110.44
DBL427-UP							
	2514296		P-UB-10	50 mm	100 mm	CTC-2332622	99.54
LOADER BUCKET MP							
DBL1-UP							
	2265540		I-U-10	1-1/2	3	CTC-2309357	88.69
	2429893		P-UB-10	1-3/4	3-1/2	CTC-2401881	115.17
	2681322		I-U-10	40 mm	3-1/2	CTC-2711529	39.90
	6Q2195		I,P-U-15	1-1/2	3-1/2	CTC-6Q2203	91.87
LOADER LIFT							
DBL1-UP							
	1257895		P-UB-10	2-1/4	3-3/4	CTC-2350969	266.34
LOADER TILT							
DBL1-UP							
	1007844		P-UB-10	2	4	CTC-2339205	68.83
STABILIZER							
DBL1-UP							
	1978079		P-UB-10	2-1/2	4	CTC-2341949	78.76
	1978083		P-UB-10	2-1/2	4	CTC-2341949	78.76
STEERING							
DBL1-UP							
			P-UB-10	2-1/8	3-1/4	CTC-9X2031	349.31
	9T1834		P-UB-10	2-1/8	3-1/4	CTC-9T1834K	351.85
MODEL 450E							
BACKHOE BOOM							
EBL1-; RBA1-							
	2707285		P-UB-10	70 mm	140 mm	CTC-2707285K	261.85
BACKHOE BUCKET							
EBL1-; RBA1-							
	2707287		P-UB-10	75 mm	100 mm	CTC-3260496	318.76
BACKHOE EXT STICK							
EBL1-; RBA1-							
	2707288		P-UB-10	45 mm	75 mm	CTC-2707288K	211.44
BACKHOE STICK							
EBL1-; RBA1-							
	2707286		P-UB-10	80 mm	140 mm	CTC-2707286K	297.72
BACKHOE SWING							
EBL1-431							
	2868903		P-UB-10	50 mm	100 mm	CTC-2332622	99.54
EBL432-; LYR1-; RBA1-							
	2974896		P-UB-10	50 mm	100 mm	CTC-2974896K	134.65
LOADER BUCKET MP							
EBL1-; LYR1-							
	2265540		I-U-10	1-1/2	3	CTC-2309357	88.69

REPLACEMENT KITS FOR CATERPILLAR® EQUIPMENT

Backhoe Loaders							
APPLICATION	CYL #	Misc-Parts, Instructions, etc.	CODE	ROD	BORE	KIT #	List \$
MODEL 450E							
LOADER LIFT							
	EBL1-; RBA1-						
	1257895		P-UB-10	2-1/4	3-3/4	CTC-2350969	266.34
LOADER TILT							
	EBL1-; RBA1-						
	1007844		P-UB-10	2	4	CTC-2339205	68.83
STABILIZER LH							
	EBL1-; RBA1-						
	2707290		P-UB-10	65 mm	115 mm	CTC-3247165	269.53
STABILIZER RH							
	EBL1-; RBA1-						
	2707291		P-UB-10	65 mm	115 mm	CTC-3247165	269.53
STEERING							
	EBL1-; LYR1-; RBA1-						
	2385285		I-U-10	42 mm	85 mm	CTC-2807013	200.70
THUMB							
	EBL1-; LYR1-						
	2754243		I-U-10	50 mm	70 mm	CTC-2764172	75.16
MODEL 450F							
BOOM							
	HJR1-UP						
	3750723		P-UB-10	70 mm	140 mm	CTC-4414074	180.48
	3750723		Bushing	70 mm		CTC-2331015	43.69
BUCKET							
	HJR1-UP						
	3750719		P-UB-10	75 mm	100 mm	CTC-4412553	129.56
	3750719		Bushing	75 mm		CTC-4412543	45.86
BUCKET MP							
	HJR1-UP						
	2265540		I-U-10	1-1/2	3	CTC-2309357	88.69
LIFT							
	HJR1-UP						
	3750717		P-UB-10	55 mm	95 mm	CTC-4410267	112.02
	3750717		Bushing	55 mm		CTC-2332614	27.98
LOADER BUCKET MP							
			I-U-10	1-1/2	3	CTC-2309357	88.69
STABILIZER LH							
	HJR1-UP						
	3750721		P-UB-10	65 mm	115 mm	CTC-4413157	176.21
STABILIZER RH							
	HJR1-UP						
	3750722		P-UB-10	65 mm	115 mm	CTC-4413157	176.21
STEERING							
			I-U-10	42 mm	85 mm	CTC-2807013	200.70
	HJR1-UP						
	2385285		I-U-10	42 mm	85 mm	CTC-2807013	200.70
STICK							
	HJR1-UP						
	3750718		P-UB-10	80 mm	140 mm	CTC-4411138	175.73
	3750718		Bushing	80 mm		CTC-4411130	51.81
	3750720		P-UB-10	45 mm	75 mm	CTC-4413084	114.82
	3750720		Bushing	45 mm		CTC-4373535	19.53
SWING							
	HJR1-UP						
	2974896		P-UB-10	50 mm	100 mm	CTC-4499718	134.65
	2974896		Bushing	50 mm		CTC-2332613	23.00

CATERPILLAR®

REPLACEMENT KITS FOR CATERPILLAR® EQUIPMENT

Backhoe Loaders							
APPLICATION	CYL #	Misc-Parts, Instructions, etc.	CODE	ROD	BORE	KIT #	List \$
MODEL 450F							
THUMB							
			I-U-10	50 mm	70 mm	CTC-2764172	75.16
		HJR1-UP					
	2754243		I-U-10	50 mm	70 mm	CTC-2764172	75.16
TILT							
		HJR1-UP					
	3750716		P-UB-10	50 mm	100 mm	CTC-4406082	118.40
	3750716		Bushing	50 mm		CTC-2332613	23.00
Crawler Dozers							
APPLICATION	CYL #	Misc-Parts, Instructions, etc.	CODE	ROD	BORE	KIT #	List \$
MODEL 3P							
TILT							
	9J8674		P-UB-10	1-1/2	3-1/2	CTC-7X2752	152.63
MODEL 3S							
TILT							
	8J6893		P-UB-10	2	4	CTC-7X2789	163.22
	9J8674		P-UB-10	1-1/2	3-1/2	CTC-7X2752	152.63
MODEL 4S							
DOZER TILT							
	5J1603		P-V-10	2	4-3/4	CTC-7X2677	187.25
MODEL 5A							
LIFT							
	7J8299		P-UB-10	2-1/2	4	CTC-7X2659	198.91
MODEL 5S							
LIFT							
	7J8302		P-UB-10	2-1/2	4	CTC-7X2659	198.91
TILT							
	2J1402		P-UB-10	3	6-1/2	CTC-7X2694	254.15
MODEL 6							
LIFT							
	7J7974		P-UB-10	1-1/2	4	CTC-7X2738	139.94
RIPPER							
	2K3663		P-UB-10	2-1/2	7-1/4	CTC-7X2661	256.89
MODEL 6S							
TILT							
	2J1402		P-UB-10	3	6-1/2	CTC-7X2694	254.15
MODEL 7A							
TILT							
	5J7929		P-UB-10	2-1/2	6	CTC-7X2692	262.81
MODEL 7S, 7U							
DOZER TILT							
	3G4533		P-UB-10	3	6-1/2	CTC-1126550	283.54
	3J9694		P-U-10	3-1/2	8-1/4	CTC-7X2720	289.04
	6J9752		P-UB-10	3	6-1/2	CTC-1126550	283.54
	9J8748		P-UB-10	3	6-1/2	CTC-1126550	283.54
MODEL 7SU							
DOZER TILT							
	3G4533		P-UB-10	3	6-1/2	CTC-1126550	283.54
MODEL 8A							
DOZER LIFT							
	9J8802		P-UB-10	3-1/2	7-1/2	CTC-7X2722	297.18
MODEL 8B							
PIN PULLER							
	4J5057		P-V-10	1-1/4	4	CTC-8T1480	132.35
MODEL 8D							
RIPPER PIN PULLER							
	8J2071		P-UB-10	1-1/2	4	CTC-7X2738	139.94

REPLACEMENT KITS FOR CATERPILLAR® EQUIPMENT

Crawler Dozers							
APPLICATION	CYL #	Misc-Parts, Instructions, etc.	CODE	ROD	BORE	KIT #	List \$
MODEL 8R							
TILT							
	7J0192		P-UB-10	3-1/2	8-1/4	CTC-7X2721	419.95
MODEL 8S							
DOZER TILT							
	2J3894		P-U-10	3-1/2	8-1/4	CTC-7X2720	289.04
	3G5707		P-UB-10	3-1/2	8-1/4	CTC-7X2721	419.95
LIFT LH							
	5J9378		P-UB-10	2-1/2	5	CTC-7X2675	198.81
LIFT RH							
	5J9708		P-UB-10	2-1/2	5	CTC-7X2675	198.81
TILT							
	6J2472		P-UB-10	3-1/2	8-1/4	CTC-7X2728	279.89
	7J0192		P-UB-10	3-1/2	8-1/4	CTC-7X2721	419.95
	8J8682		P-UB-10	3-1/2	8-1/4	CTC-7X2721	419.95
MODEL 8U							
	6J2472		P-UB-10	3-1/2	8-1/4	CTC-7X2728	279.89
DOZER TILT							
	2J3894		P-U-10	3-1/2	8-1/4	CTC-7X2720	289.04
	3G5707		P-UB-10	3-1/2	8-1/4	CTC-7X2721	419.95
TILT							
	7J0192		P-UB-10	3-1/2	8-1/4	CTC-7X2721	419.95
	8J8682		P-UB-10	3-1/2	8-1/4	CTC-7X2721	419.95
MODEL 9B							
PIN PULLER							
	4J5057		P-V-10	1-1/4	4	CTC-8T1480	132.35
MODEL 9R							
TILT							
	6J1570		P-UB-10	3-1/2	8-1/4	CTC-7X2721	419.95
MODEL 9S, 9U							
DOZER TILT							
	2J6705		P-U-10	3-1/2	8-1/4	CTC-7X2720	289.04
	3G8661		P-UB-10	4	9-1/4	CTC-7X2799	454.33
TILT							
	6J1570		P-UB-10	3-1/2	8-1/4	CTC-7X2721	419.95
MODEL D3G							
ANGLING							
	BYR1-1323; CFC1-UP; CFF1-UP; JMH1-2051						
	2167388		P-UB-10	1-1/2	2-3/4	CTC-2833454	69.32
	BYR1324-UP; JMH2052-UP						
	2590459		P-UB-10	1-1/2	2-3/4	CTC-2833454	69.32
DOZER LIFT							
	JMH1-UP; BYR1-UP; CFC1-UP; CFF1-UP						
	1833721		P-UB-10	1-1/2	3-1/2	CTC-2465917	116.55
RIPPER-LH							
	BYR1-UP; CFC1-UP; CFF1-UP; JMH1-UP						
	1920893		P-UB-10	1-1/2	3	CTC-2465913	97.53
RIPPER-RH							
	BYR1-UP; CFC1-UP; CFF1-UP; JMH1-UP						
	1920891		P-UB-10	1-1/2	3	CTC-2465913	97.53
TILT							
	JMH1-UP; BYR1-UP; CFC1-UP; CFF1-UP						
	1838459		P-UB-10	1-1/2	3-1/2	CTC-2465917	116.55
MODEL D3K XL & LGP							
ANGLING							
	LLL1-UP; FFF1-UP						
	2633745		P-UB-10	1-1/2	3	CTC-3809484	66.36

REPLACEMENT KITS FOR CATERPILLAR® EQUIPMENT

Crawler Dozers							
APPLICATION	CYL #	Misc-Parts, Instructions, etc.	CODE	ROD	BORE	KIT #	List \$
MODEL D3K XL & LGP							
DOZER LIFT LH							
JTD1-UP; LLL1-UP; FFF1-UP							
	2764667		P-UB-10	1-1/2	3-1/2	CTC-3933608	115.99
DOZER LIFT RH							
JTD1-UP; LLL1-UP; FFF1-UP							
	2634068		P-UB-10	1-1/2	3-1/2	CTC-3933608	115.99
RIPPER LH							
JTD1-UP; LLL1-UP; FFF1-UP							
	2624418		P-UB-10	1-1/2	3	CTC-3809484	66.36
RIPPER RH							
JTD1-UP; LLL1-UP; FFF1-UP							
	2624415		P-UB-10	1-1/2	3	CTC-3809484	66.36
TILT							
JTD1-UP							
	3169205		P-UB-10	1-1/2	3	CTC-3809484	66.36
JTD1-UP; LLL1-UP; FFF1-UP							
	2635008		P-UB-10	1-1/2	3-1/2	CTC-3933608	115.99
MODEL D3K2 LGP							
ANGLING							
KLL1-UP							
	3649335		P-UB-10	1-1/2	3	CTC-4488804	66.36
DOZER LIFT							
GAE1-UP; KLL1-UP							
	3649326		P-UB-10	1-1/2	3-1/2	CTC-3933608	115.99
RIPPER LH							
GAE1-UP; KLL1-UP							
	2624418		P-UB-10	1-1/2	3	CTC-3809484	66.36
RIPPER RH							
GAE1-UP; KLL1-UP							
	2624415		P-UB-10	1-1/2	3	CTC-3809484	66.36
TILT							
GAE1-UP							
	3649344	Angle	P-UB-10	1-1/2	3	CTC-SK100112	60.85
GAE1-UP; KLL1-UP							
	3516695	Power Pitch	P-UB-10	1-3/4	3	CTC-3597243	120.52
	3649346		P-UB-10	1-1/2	3-1/2	CTC-3933608	115.99
TRACK ADJUSTER							
GAE1-UP; KLL1-UP							
	2540664		TRK ADJ			CTC-SK100111	49.46
MODEL D3K2 XL							
ANGLING							
KFF1-UP							
	3649335		P-UB-10	1-1/2	3	CTC-4488804	66.36
DOZER LIFT							
KFF1-UP							
	3649326		P-UB-10	1-1/2	3-1/2	CTC-3933608	115.99
RIPPER LH							
KFF1-UP							
	2624418		P-UB-10	1-1/2	3	CTC-3809484	66.36
RIPPER RH							
KFF1-UP							
	2624415		P-UB-10	1-1/2	3	CTC-3809484	66.36
TILT							
KFF1-UP							
	3516695	Power Pitch	P-UB-10	1-3/4	3	CTC-3597243	120.52
	3649346		P-UB-10	1-1/2	3-1/2	CTC-3933608	115.99

REPLACEMENT KITS FOR CATERPILLAR® EQUIPMENT

Crawler Dozers							
APPLICATION	CYL #	Misc-Parts, Instructions, etc.	CODE	ROD	BORE	KIT #	List \$
MODEL D3K2 XL							
TRACK ADJUSTER							
	KFF1-UP						
	2540664		TRK ADJ			CTC-SK100111	49.46
MODEL D4B							
ANGLING							
	9J8698		P-UB-10	1-1/2	3-1/2	CTC-7X2752	152.63
BACKHOE BOOM/BUCKET							
	3G5767		P-UB-10	2-1/4	4-1/2	CTC-1326770	231.03
	3G5905		P-UB-10	2-1/4	3-1/2	CTC-1358166	260.00
BACKHOE STICK/BLADE SHIFT							
	3G5771		P-UB-10	2	4	CTC-1328816	148.39
LIFT							
	7J9223		P-UB-10	1-1/2	3-1/2	CTC-1327058	166.20
	9T6652		P-UB-10	1-1/2	3-1/2	CTC-1327058	166.20
RIPPER							
	7J9920		P-UB-10	2	4	CTC-1328816	148.39
STABILIZER							
	3G6792		P-UB-10	1-1/2	3-1/2	CTC-7X2752	152.63
STABILIZER LH							
	1U2656		P-UB-10	2	4	CTC-1328816	148.39
STABILIZER RH							
	1U2655		P-UB-10	2	4	CTC-1328816	148.39
TILT							
	9J8674		P-UB-10	1-1/2	3-1/2	CTC-1327058	166.20
TRACK ADJUSTER							
			TRK ADJ			CTC-FIG4405	35.79
MODEL D4G							
ANGLING							
	CFN1-UP; FDC1-UP; HYD1-UP; TLX1-UP						
	2167388		P-UB-10	1-1/2	2-3/4	CTC-2833454	69.32
	HYD1719-UP; TLX859-UP						
	2590459		P-UB-10	1-1/2	2-3/4	CTC-2833454	69.32
DOZER LIFT							
	CFN1-UP; FDC1-UP; HYD1-UP; TLX1-UP						
	1833721		P-UB-10	1-1/2	3-1/2	CTC-2465917	116.55
RIPPER-LH							
	CFN1-UP; FDC1-UP; HYD1-UP; TLX1-UP						
	1920893		P-UB-10	1-1/2	3	CTC-2465913	97.53
RIPPER-RH							
	CFN1-UP; FDC1-UP; HYD1-UP; TLX1-UP						
	1920891		P-UB-10	1-1/2	3	CTC-2465913	97.53
TILT							
	CFN1-UP; FDC1-UP; HYD1-UP; TLX1-UP						
	1838459		P-UB-10	1-1/2	3-1/2	CTC-2465917	116.55
MODEL D4K XL & LGP							
ANGLING							
	MMM1-UP; RRR1-UP						
	2633745		P-UB-10	1-1/2	3	CTC-3809484	66.36
DOZER LIFT LH							
	MMM1-UP; RRR1-UP						
	2764667		P-UB-10	1-1/2	3-1/2	CTC-3933608	115.99
DOZER LIFT RH							
	MMM1-UP; RRR1-UP						
	2634068		P-UB-10	1-1/2	3-1/2	CTC-3933608	115.99

CATERPILLAR®

REPLACEMENT KITS FOR CATERPILLAR® EQUIPMENT

Crawler Dozers							
APPLICATION	CYL #	Misc-Parts, Instructions, etc.	CODE	ROD	BORE	KIT #	List \$
MODEL D4K XL & LGP							
RIPPER LH							
	MMM1-UP; RRR1-UP						
	2624418		P-UB-10	1-1/2	3	CTC-3809484	66.36
RIPPER RH							
	MMM1-UP; RRR1-UP						
	2624415		P-UB-10	1-1/2	3	CTC-3809484	66.36
TILT							
	MMM1-UP; RRR1-UP						
	2635008		P-UB-10	1-1/2	3-1/2	CTC-3933608	115.99
MODEL D4K2 LGP							
ANGLING							
	KRR1-UP						
	3649335		P-UB-10	1-1/2	3	CTC-4488804	66.36
DOZER LIFT							
	KRR1-UP						
	3649326		P-UB-10	1-1/2	3-1/2	CTC-3933608	115.99
RIPPER LH							
	KRR1-UP						
	2624418		P-UB-10	1-1/2	3	CTC-3809484	66.36
RIPPER RH							
	KRR1-UP						
	2624415		P-UB-10	1-1/2	3	CTC-3809484	66.36
TILT							
	KRR1-UP						
	3516695	Power Pitch	P-UB-10	1-3/4	3	CTC-3597243	120.52
	3649346		P-UB-10	1-1/2	3-1/2	CTC-3933608	115.99
TRACK ADJUSTER							
	KRR1-UP						
	2540664		TRK ADJ			CTC-SK100111	49.46
MODEL D4K2 XL							
ANGLING							
	KMM1-UP						
	3649335		P-UB-10	1-1/2	3	CTC-4488804	66.36
DOZER LIFT							
	KMM1-UP						
	3649326		P-UB-10	1-1/2	3-1/2	CTC-3933608	115.99
RIPPER LH							
	KMM1-UP						
	2624418		P-UB-10	1-1/2	3	CTC-3809484	66.36
RIPPER RH							
	KMM1-UP						
	2624415		P-UB-10	1-1/2	3	CTC-3809484	66.36
TILT							
	KMM1-UP						
	3516695	Power Pitch	P-UB-10	1-3/4	3	CTC-3597243	120.52
	3649346		P-UB-10	1-1/2	3-1/2	CTC-3933608	115.99
TRACK ADJUSTER							
	KMM1-UP						
	2540664		TRK ADJ			CTC-SK100111	49.46
MODEL D4L							
DOZER LIFT							
	3G9226		P-UB-10	2	4-1/4	CTC-7X2819	168.18
MODEL D4TSKH							
ANGLING							
	1006174		P-UB-10	1-3/4	3-1/2	CTC-7X2784	114.46
	9T9247		P-UB-10	1-3/4	3-1/2	CTC-7X2784	114.46

REPLACEMENT KITS FOR CATERPILLAR® EQUIPMENT

Crawler Dozers							
APPLICATION	CYL #	Misc-Parts, Instructions, etc.	CODE	ROD	BORE	KIT #	List \$
MODEL D4TSKH							
LIFT							
	6E0365		P-UB-10	2	4-1/4	CTC-7X2819	168.18
	6E0366		P-UB-10	2-1/2	4-3/4	CTC-1328811	244.68
TILT							
	9T9557		P-UB-10	2	4-1/4	CTC-1378662	205.36
MODEL D5							
ANGLING							
	BMG1-UP; HL91-UP; KML1-UP; KTA1-UP; RG91-UP; ST61-UP; Z2K1-UP; Z2N1-UP; Z6A1-UP; ZDA1-UP						
	3793507		P-UB-10	2	4	CTC-5803600	122.17
LIFT							
	BMG1-UP; HL91-UP; KML1-UP; KTA1-UP; RG91-UP; ST61-UP; Z2K1-UP; Z2N1-UP; Z6A1-1897; ZDA1-UP						
	5445051		P-UB-10	2-1/4	4-1/2	CTC-SK100233	164.91
	HR71-UP; Z2P1-UP						
	5800817		P-UB-10	55 mm	85 mm	CTC-SK100234	188.44
RIPPER							
	BMG1-UP; HL91-UP; HR71-UP; KML1-UP; KTA1-UP; RG91-UP; ST61-UP; Z2K1-UP; Z2N1-UP; Z2P1-UP; Z6A1-UP; ZDA1-UP						
	4484913		P-UB-10	2-1/2	5	CTC-SK100235	182.65
TILT							
	BMG1-UP; HL91-UP; KML1-UP; KTA1-UP; RG91-UP; ST61-UP; Z2K1-UP; Z2N1-UP; Z6A1-1897; ZDA1-UP						
	3793506		P-UB-10	65 mm	120 mm	CTC-3933605	209.79
	HR71-UP; RG91260-UP; Z2P1-UP						
	3679478		P-UB-10	3	6-1/2	CTC-2440980	245.08
MODEL D5E							
LIFT							
	8J6868		P-UB-10	2-1/2	4	CTC-7X2659	198.91
RIPPER							
	8J1779		P-UB-10	2-1/2	7-1/4	CTC-1542502	293.43
TRACK ADJUSTER							
			TRK ADJ			CTC-FIG4400	76.86
MODEL D5G							
ANGLING							
	FDH1141-UP; FDW651-UP; RKG1-2121; WGB1-2700						
	2167388		P-UB-10	1-1/2	2-3/4	CTC-2833454	69.32
	FDH1-UP; FDW1-UP						
	2011056		P-UB-10	1-1/2	2-3/4	CTC-2011056K	69.32
	RKG2122-UP; WGB2701-UP						
	2590459		P-UB-10	1-1/2	2-3/4	CTC-2833454	69.32
DOZER LIFT							
	FDH1-UP; FDW1-UP; RKG1-UP; WGB1-UP						
	1833721		P-UB-10	1-1/2	3-1/2	CTC-2465917	116.55
RIPPER-LH							
	FDH1-UP; FDW1-UP; RKG1-UP; WGB1-UP						
	1920893		P-UB-10	1-1/2	3	CTC-2465913	97.53
RIPPER-RH							
	FDH1-UP; FDW1-UP; RKG1-UP; WGB1-UP						
	1920891		P-UB-10	1-1/2	3	CTC-2465913	97.53
TILT							
	FDH1-UP; FDW1-UP; RKG1-UP; WGB1-UP						
	1838459		P-UB-10	1-1/2	3-1/2	CTC-2465917	116.55
MODEL D5H							
ANGLING							
	4T1666		P-UB-10	2	4	CTC-7X2789	163.22
	9T9273		P-UB-10	2	4	CTC-1113302	190.32

REPLACEMENT KITS FOR CATERPILLAR® EQUIPMENT

Crawler Dozers							
APPLICATION	CYL #	Misc-Parts, Instructions, etc.	CODE	ROD	BORE	KIT #	List \$
MODEL D5H							
LIFT							
	1153524		P-UB-10	2-1/4	3-3/4	CTC-1361897	215.59
	1U1839		P-UB-10	2-1/4	3-3/4	CTC-1361897	215.59
	1U2568		P-UB-10	2	4-1/4	CTC-7X2819	168.18
	3G5909		P-UB-10	2	4	CTC-7X2789	163.22
	4T1089		P-UB-10	2-1/4	3-3/4	CTC-1361897	215.59
	4T1659		P-UB-10	2-1/4	4-1/2	CTC-1326770	231.03
	6E5400		P-UB-10	2-1/4	4-1/2	CTC-1354392	224.57
RIPPER							
	3G5909		P-UB-10	2	4	CTC-1328816	148.39
	9T2716		P-UB-10	2-1/2	5	CTC-7X2658	269.30
TILT							
	1153523		P-UB-10	3	6-1/2	CTC-3933607	185.96
	1U3991		P-UB-10	3	6-1/2	CTC-1126550	283.54
	1U3991		P-UB-10	3	6-1/2	CTC-8T1408	129.19
	4T1625		P-UB-10	2-1/4	4-3/4	CTC-1318778	224.14
	4T2613		P-UB-10	2-1/2	5	CTC-1315118	272.48
	4T2613		P-UB-10	2-1/2	5	CTC-7X2658	269.30
MODEL D5K XL & LGP							
ANGLING							
	WWW1-UP; YYY1-UP						
	2633745		P-UB-10	1-1/2	3	CTC-3809484	66.36
DOZER LIFT LH							
	JLF1-UP; WWW1-UP; YYY1-UP						
	2764667		P-UB-10	1-1/2	3-1/2	CTC-3933608	115.99
DOZER LIFT RH							
	JLF1-UP; WWW1-UP; YYY1-UP						
	2634068		P-UB-10	1-1/2	3-1/2	CTC-3933608	115.99
RIPPER LH							
	JLF1-UP; WWW1-UP; YYY1-UP						
	2624418		P-UB-10	1-1/2	3	CTC-3809484	66.36
RIPPER RH							
	JLF1-UP; WWW1-UP; YYY1-UP						
	2624415		P-UB-10	1-1/2	3	CTC-3809484	66.36
TILT							
	JLF1-UP						
	3169205		P-UB-10	1-1/2	3	CTC-3809484	66.36
	JLF1-UP; WWW1-UP; YYY1-UP						
	2635008		P-UB-10	1-1/2	3-1/2	CTC-3933608	115.99
MODEL D5K2 LGP							
ANGLING							
	KYY1-UP						
	3649335		P-UB-10	1-1/2	3	CTC-4488804	66.36
DOZER LIFT							
	KYY1-UP; TRF1-UP						
	3649326		P-UB-10	1-1/2	3-1/2	CTC-3933608	115.99
RIPPER LH							
	KYY1-UP; TRF1-UP						
	2624418		P-UB-10	1-1/2	3	CTC-3809484	66.36
RIPPER RH							
	KYY1-UP; TRF1-UP						
	2624415		P-UB-10	1-1/2	3	CTC-3809484	66.36
TILT							
	KYY1-UP; TRF1-UP						
	3516695	Power Pitch	P-UB-10	1-3/4	3	CTC-3597243	120.52
	3649346		P-UB-10	1-1/2	3-1/2	CTC-3933608	115.99

REPLACEMENT KITS FOR CATERPILLAR® EQUIPMENT

Crawler Dozers							
APPLICATION	CYL #	Misc-Parts, Instructions, etc.	CODE	ROD	BORE	KIT #	List \$
MODEL D5K2 LGP							
TILT							
TRF1-UP							
3649344	Angle		P-UB-10	1-1/2	3	CTC-SK100112	60.85
TRACK ADJUSTER							
KYY1-UP; TRF1-UP							
2540665			TRK ADJ			CTC-SK100111	49.46
MODEL D5K2 XL							
ANGLING							
KWW1-UP							
3649335			P-UB-10	1-1/2	3	CTC-4488804	66.36
DOZER LIFT							
KWW1-UP							
3649326			P-UB-10	1-1/2	3-1/2	CTC-3933608	115.99
RIPPER LH							
KWW1-UP							
2624418			P-UB-10	1-1/2	3	CTC-3809484	66.36
RIPPER RH							
KWW1-UP							
2624415			P-UB-10	1-1/2	3	CTC-3809484	66.36
TILT							
KWW1-UP							
3516695	Power Pitch		P-UB-10	1-3/4	3	CTC-3597243	120.52
3649346			P-UB-10	1-1/2	3-1/2	CTC-3933608	115.99
TRACK ADJUSTER							
KWW1-UP							
2540665			TRK ADJ			CTC-SK100111	49.46
MODEL D5M							
ANGLING							
1061286			P-UB-10	1-3/4	3-1/2	CTC-7X2784	114.46
1378456			P-UB-10	1-3/4	3-1/2	CTC-7X2784	114.46
1526482			P-UB-10	1-3/4	3-1/2	CTC-7X2784	114.46
LIFT							
1059822			P-UB-10	2	4-1/4	CTC-1378662	205.36
1607610			P-UB-10	2-1/2	4-3/4	CTC-1328811	244.68
6E0366			P-UB-10	2-1/2	4-3/4	CTC-1328811	244.68
RIPPER							
3G9892			P-UB-10	2	4	CTC-1328816	148.39
MODEL D5N							
ANGLING							
AGG1-UP; AKD1-UP; CFH1-150; CKT1-292							
1526482			P-UB-10	1-3/4	3-1/2	CTC-2401881	115.17
AGG1-UP; AKD1-UP; CFH151-UP; CKT293-UP							
2432058			P-UB-10	1-3/4	3-1/2	CTC-2401881	115.17
DOZER LIFT							
AGG1-UP; AKD1-UP; CFH1-UP; CKT1-UP							
1677551			P-UB-10	2	4-1/4	CTC-3933606	80.26
DOZER TILT							
1600045	Includes 0.99" & 1.24" Wear ring		P-UB-10	2-1/2	4-3/4	CTC-1600045K	162.19
1600045	CHG 00-01, 0.99" Wear ring width		P-UB-10	2-1/2	4-3/4	CTC-1864382	151.79
1600045	CHG 06-UP, 1.24" Wear ring width		P-UB-10	2-1/2	4-3/4	CTC-1864399	134.49
RIPPER							
AGG1-UP; AKD1-UP; CFH1-UP; CKT1-UP							
3G9892			P-UB-10	2	4	CTC-2339205	68.83
MODEL D5TSKH							
ANGLING							
9T9273			P-UB-10	2	4	CTC-1113302	190.32

REPLACEMENT KITS FOR CATERPILLAR® EQUIPMENT

Crawler Dozers							
APPLICATION	CYL #	Misc-Parts, Instructions, etc.	CODE	ROD	BORE	KIT #	List \$
MODEL D5TSKH							
LIFT							
	6E0366		P-UB-10	2-1/2	4-3/4	CTC-1328811	244.68
MODEL D6							
ANGLING LH							
	AG91-UP; HR91-UP; KD51-UP; KTW1-UP; LB51-UP; RA91-UP; RBP1-UP; RDC1-UP; WH51-UP						
	5558737		P-UB-10	70 mm	120 mm	CTC-SK100232	237.36
ANGLING RH							
	AG91-UP; HR91-UP; KD51-UP; KTW1-UP; LB51-UP; RA91-UP; RBP1-UP; RDC1-UP; WH51-UP						
	5558742		P-UB-10	70 mm	120 mm	CTC-SK100232	237.36
LIFT							
	AG91-UP; HR91-UP; KD51-UP; KTW1-UP; LB51-UP; RA91-UP; RBP1-UP; RDC1-UP; WH51-UP						
	5083812		P-UB-10	65 mm	120 mm	CTC-SK100229	197.03
	GZ91-1153; JJ61-1042; KEW1-1104						
	4697482		P-UB-10	60 mm	90 mm	CTC-SK100227	234.88
	GZ91154-UP; JJ61043-UP; KEW1105-UP						
	6067146		P-UB-10	60 mm	90 mm	CTC-6217879	179.92
	HMK1086-UP; KMT1081-UP; LF91020-UP; SA91051-UP; SG61077-UP; TB61014-UP						
	6067145		P-UB-10	60 mm	90 mm	CTC-6217879	179.92
	HMK1-1085; KMT1-1080; LF91-1019; SA91-1050; SG61-1076; TB61-1013						
	4697480		P-UB-10	60 mm	90 mm	CTC-SK100227	234.88
RIPPER							
	9S51-UP						
	6067147		P-UB-10	70 mm	140 mm	CTC-6217877	206.06
	MS31-UP						
	4763369		P-UB-10	70 mm	140 mm	CTC-6217877	206.06
TILT							
	AG91-UP; HR91-UP; KD51-UP; KTW1-UP; LB51-UP; RA91-UP; RBP1-UP; RDC1-UP; WH51-UP						
	5132194		P-UB-10	65 mm	5-1/2	CTC-SK100230	224.09
	GZ91-UP; HNK1-UP; JJ61-UP; KEW1-UP; KMT1-UP; LF91-UP; SA91-UP; SG61-UP; TB61-UP						
	4757538		P-UB-10	70 mm	5-1/2	CTC-SK100228	252.51
	GZ91-UP; HNK1-UP; KEW1-UP; KMT1-UP; LF91-UP; SA91-UP						
	5510172		P-UB-10	70 mm	130 mm	CTC-SK100231	259.20
MODEL D6 XE							
ANGLING LH							
	D5M1-UP; HMK1-UP; LNC1-UP; LRG1-UP; WGY1-UP; XEC1-UP						
	5558737		P-UB-10	70 mm	120 mm	CTC-SK100232	237.36
ANGLING RH							
	D5M1-UP; HMK1-UP; LNC1-UP; LRG1-UP; WGY1-UP; XEC1-UP						
	5558742		P-UB-10	70 mm	120 mm	CTC-SK100232	237.36
LIFT							
	B721035-UP; HFE1012-UP; HZL1020-UP; TPL1027-UP						
	6067145		P-UB-10	60 mm	90 mm	CTC-6217879	179.92
	B721-1034; HFE1-1011; HZL1-1019; TPL1-1026						
	4697480		P-UB-10	60 mm	90 mm	CTC-SK100227	234.88
	ES91054-UP; HLY1071-UP						
	6067146		P-UB-10	60 mm	90 mm	CTC-6217879	179.92
	ES91-1053; HLY1-1070						
	4697482		P-UB-10	60 mm	90 mm	CTC-SK100227	234.88
	LRG1-UP; WGY1-UP; XEC1-UP						
	5083812		P-UB-10	65 mm	120 mm	CTC-SK100229	197.03
RIPPER							
	9S51-UP						
	6067147		P-UB-10	70 mm	140 mm	CTC-6217877	206.06
	MS31-UP						
	4763369		P-UB-10	70 mm	140 mm	CTC-6217877	206.06

REPLACEMENT KITS FOR CATERPILLAR® EQUIPMENT

Crawler Dozers							
APPLICATION	CYL #	Misc-Parts, Instructions, etc.	CODE	ROD	BORE	KIT #	List \$
MODEL D6 XE							
TILT							
B721-UP; ES31-UP; HFE1-UP; HLY1-UP; HZL1-UP; TPL1-UP							
5510172			P-UB-10	70 mm	130 mm	CTC-SK100231	259.20
B721-UP; ES91-UP; HFE1-UP; HLY1-UP; HZL1-UP; TPL1-UP							
4757538			P-UB-10	70 mm	5-1/2	CTC-SK100228	252.51
D5M1-UP; HMM1-UP; LNC1-UP; LRG1-UP; WGY1-UP; XEC1-UP							
5132194			P-UB-10	65 mm	5-1/2	CTC-SK100230	224.09
MODEL D6D							
BACKHOE STICK/BLADE SHIFT							
8J5448			P-UB-10	2	4	CTC-1328816	148.39
DOZER TILT							
1U3495			P-UB-10	2-1/2	6	CTC-7X2674	206.73
2J1402			P-UB-10	3	6-1/2	CTC-7X2694	254.15
7J3171			P-UB-10	2-1/2	6	CTC-7X2674	206.73
7J3172			P-UB-10	2-1/2	6	CTC-7X2674	206.73
DOZER TILT RH							
7J9695			P-UB-10	2-1/2	5-1/2	CTC-8T1374	149.41
LIFT							
7J7974			P-UB-10	1-1/2	4	CTC-7X2738	139.94
7J8302			P-UB-10	2-1/2	4	CTC-1318748	246.33
8J6868			P-UB-10	2-1/2	4	CTC-1318748	246.33
RIPPER							
8J1779			P-UB-10	2-1/2	7-1/4	CTC-1542502	293.43
TILT							
1U3495			P-UB-10	2-1/2	6	CTC-7X2692	262.81
2J1402			P-UB-10	3	6-1/2	CTC-1318733	312.78
7J3171			P-UB-10	2-1/2	6	CTC-7X2692	262.81
7J9695			P-UB-10	2-1/2	5-1/2	CTC-9X2050	161.08
9T2797			P-UB-10	2-1/2	6	CTC-7X2674	206.73
TILT LH							
6J0518			P-UB-10	2-1/2	6	CTC-7X2692	262.81
7J3172			P-UB-10	2-1/2	6	CTC-7X2692	262.81
TILT RH							
6J0517			P-UB-10	2-1/2	6	CTC-7X2692	262.81
TRACK ADJUSTER							
			TRK ADJ			CTC-FIG3400	95.70
MODEL D6E, D6G							
LIFT							
8J6868			P-UB-10	2-1/2	4	CTC-1318748	246.33
RIPPER							
1306135			P-UB-10	2-1/2	7-1/4	CTC-1542502	293.43
8J1779			P-UB-10	2-1/2	7-1/4	CTC-1542502	293.43
TILT							
1U3495			P-UB-10	2-1/2	6	CTC-7X2674	206.73
1U3495			P-UB-10	2-1/2	6	CTC-7X2692	262.81
9T2797			P-UB-10	2-1/2	6	CTC-7X2674	206.73
UNSPECIFIED APPLICATION							
2J1402			P-UB-10	3	6-1/2	CTC-1318733	312.78
MODEL D6H							
DOZER							
1U3989			P-UB-10	2-1/2	3-3/4	CTC-1318700	241.42
1U3990			P-UB-10	2-1/2	3-3/4	CTC-1318700	241.42
4Y3807			P-UB-10	2-1/2	3-3/4	CTC-1318700	241.42
9T8952			P-UB-10	2-1/2	4	CTC-1353223	256.63
9T8996			P-UB-10	2-1/2	4	CTC-1353223	256.63

REPLACEMENT KITS FOR CATERPILLAR® EQUIPMENT

Crawler Dozers							
APPLICATION	CYL #	Misc-Parts, Instructions, etc.	CODE	ROD	BORE	KIT #	List \$
MODEL D6H							
DOZER TILT							
	9T6095		P-UB-10	2-1/2	6	CTC-7X2655	181.76
RIPPER							
	9T2716		P-UB-10	2-1/2	5	CTC-7X2658	269.30
TILT							
	1U3991		P-UB-10	3	6-1/2	CTC-1126550	283.54
	1U3991		P-UB-10	3	6-1/2	CTC-7X2694	254.15
	1U3992		P-UB-10	2-1/2	6	CTC-7X2655	181.76
	1U3992		P-UB-10	2-1/2	6	CTC-7X2836	238.35
	3G2798		P-UB-10	2-1/2	5-1/2	CTC-3367353	145.13
	9T6095		P-UB-10	2-1/2	6	CTC-1315164	274.88
	9T8760		P-UB-10	2	4-1/4	CTC-7X2766	70.60
MODEL D6K LGP							
ANGLING							
	DHA1-UP; FBH1-UP						
	2692728		P-UB-10	45 mm	90 mm	CTC-3933609	165.85
DOZER LIFT							
	DHA1-UP; FBH1-UP						
	2692730		P-UB-10	60 mm	110 mm	CTC-3925201	169.51
DOZER TILT							
	DHA1-UP; FBH1-UP						
	2692729		P-UB-10	65 mm	120 mm	CTC-2692729K	209.79
RIPPER							
	4041-UP						
	2270842		P-UB-10	2-1/2	5	CTC-2422542	129.29
	3255723		P-UB-10	2-1/2	5	CTC-3933604	140.91
MODEL D6K XL							
ANGLING							
	DHA1-UP; FBH1-UP; HMG1-UP						
	2692728		P-UB-10	45 mm	90 mm	CTC-3933609	165.85
DOZER LIFT							
	DHA1-UP; FBH1-UP; HMG1-UP						
	2692730		P-UB-10	60 mm	110 mm	CTC-3925201	169.51
DOZER TILT							
	DHA1-UP; FBH1-UP; HMG1-UP						
	2692729		P-UB-10	65 mm	120 mm	CTC-2692729K	209.79
RIPPER							
	4041-UP						
	2270842		P-UB-10	2-1/2	5	CTC-2422542	129.29
	4041-UP; HMG1-UP						
	3255723		P-UB-10	2-1/2	5	CTC-3933604	140.91
MODEL D6K2							
ANGLING							
	MXK1-UP; RPR1-UP						
	3793504		P-UB-10	45 mm	90 mm	CTC-SK100114	168.07
DOZER LIFT							
	MXK1-UP; RPR1-UP						
	2692730		P-UB-10	60 mm	110 mm	CTC-3925201	169.51
RIPPER LIFT							
	MXK1-UP						
	3255723		P-UB-10	2-1/2	5	CTC-3933604	140.91
	MXK1-UP; RPR1-UP						
	4484913		P-UB-10	2-1/2	5	CTC-2422542	129.29
TILT							
	MXK1-UP; RPR1-UP						
	3793503		P-UB-10	60 mm	110 mm	CTC-SK100113	238.38

REPLACEMENT KITS FOR CATERPILLAR® EQUIPMENT

Crawler Dozers							
APPLICATION	CYL #	Misc-Parts, Instructions, etc.	CODE	ROD	BORE	KIT #	List \$
MODEL D6K2							
TRACK ADJUSTER							
	MXK1-UP; RPR1-UP						
	2398243		TRK ADJ			CTC-SK100002	42.63
MODEL D6K2 LGP							
ANGLING							
	RST1-UP						
	3793504		P-UB-10	45 mm	90 mm	CTC-SK100114	168.07
DOZER LIFT							
	RST1-UP						
	2692730		P-UB-10	60 mm	110 mm	CTC-3925201	169.51
RIPPER LIFT							
	RST1-UP						
	3255723		P-UB-10	2-1/2	5	CTC-3933604	140.91
	4484913		P-UB-10	2-1/2	5	CTC-2422542	129.29
TILT							
	RST1-UP						
	3793503		P-UB-10	60 mm	110 mm	CTC-SK100113	238.38
TRACK ADJUSTER							
	RST1-UP						
	2398243		TRK ADJ			CTC-SK100002	42.63
MODEL D6K2 XL							
ANGLING							
	WMR1-UP						
	3793504		P-UB-10	45 mm	90 mm	CTC-SK100114	168.07
DOZER LIFT							
	WMR1-UP						
	2692730		P-UB-10	60 mm	110 mm	CTC-3925201	169.51
RIPPER LIFT							
	WMR1-UP						
	3255723		P-UB-10	2-1/2	5	CTC-3933604	140.91
	4484913		P-UB-10	2-1/2	5	CTC-2422542	129.29
TILT							
	WMR1-UP						
	3793503		P-UB-10	60 mm	110 mm	CTC-SK100113	238.38
TRACK ADJUSTER							
	WMR1-UP						
	2398243		TRK ADJ			CTC-SK100002	42.63
MODEL D6M							
ANGLING							
	1103786		P-UB-10	2	4	CTC-1113302	190.32
	1526485		P-UB-10	2	4	CTC-1113302	190.32
LIFT							
	1103269		P-UB-10	2-1/4	4-1/2	CTC-1326770	231.03
	1153524		P-UB-10	2-1/4	3-3/4	CTC-1361897	215.59
RIPPER							
	3G5909		P-UB-10	2	4	CTC-1328816	148.39
	9T2716		P-UB-10	2-1/2	5	CTC-7X2658	269.30
TILT							
	1104761		P-UB-10	2-1/2	5-1/2	CTC-1570286	272.69
	1153523		P-UB-10	3	6-1/2	CTC-3933607	185.96
	1514518		P-UB-10	2-1/2	5-1/2	CTC-1570286	272.69
	1600054		P-UB-10	2-1/2	5-1/2	CTC-7X2653	259.89
UNSPECIFIED APPLICATION							
	1375107		P-UB-10	2	4	CTC-1113302	190.32

CATERPILLAR®

REPLACEMENT KITS FOR CATERPILLAR® EQUIPMENT

Crawler Dozers							
APPLICATION	CYL #	Misc-Parts, Instructions, etc.	CODE	ROD	BORE	KIT #	List \$
MODEL D6N							
ANGLING							
AKM1-UP; ALH1-UP; ALR1-UP; ALY1-UP; CBF1-UP; CBJ1-UP; CBL1-UP; CCG1-UP; CCK1-UP; CCS1-UP; DJA1-UP; DJY1-UP							
2280320			P-UB-10	2	4	CTC-2409538	110.44
AKM1-UP; ALY1-UP; CCK1-UP; DJA1-UP; DJY1-UP; GHS1-UP; JAH1-UP; LJR1-UP; MLW1-UP							
3217048			P-UB-10	2	4	CTC-2618566	115.18
ALH1-UP; ALR1-UP							
1526485			P-UB-10	2	4	CTC-2409538	110.44
DOZER LIFT							
AKM1-1885; ALY1-2181							
1922811			P-UB-10	2-1/4	4-1/2	CTC-2417585	117.91
AKM1-UP; ALH1-UP; ALR1-UP; ALY1-UP; CBJ1-UP; CCK1-UP							
1U1839			P-UB-10	2-1/4	3-3/4	CTC-2350969	266.34
AKM1-UP; ALH1-UP; ALY1-UP; CBF1-UP; CBJ1-UP; CBL1-UP; CCG1-UP; CCK1-UP; CCS1-UP; DJA1-UP; DJY1-UP; GHS1-UP; JAH1-UP; LJR1-UP; MLW1-UP							
1103269			P-UB-10	2-1/4	4-1/2	CTC-2417584	120.14
DJA1-UP; DJY1-UP; GHS1-UP; JAH1-UP; LJR1-UP; MLW1-UP							
2758416			P-UB-10	2-1/4	3-3/4	CTC-2845360	146.28
DOZER TILT							
AKM1-UP; ALH1-UP; ALR1-UP; ALY1-UP; CBF1-UP; CBJ1-UP; CBL1-UP; CCG1-UP; CCK1-UP; CCS1-UP; DJA1-UP; DJY1-UP; JAH1-UP; LJR1-UP							
1600054			P-UB-10	2-1/2	5-1/2	CTC-2422539	127.95
AKM1-UP; ALH1-UP; CBF1-UP; CBJ1-UP; CBL1-UP; CCG1-UP; CCK1-UP; CCS1-UP; DJA1-UP; DJY1-UP							
1153523			P-UB-10	3	6-1/2	CTC-3933607	185.96
DJA1-UP; DJY1-UP; GHS1-UP; JAH1-UP; LJR1-UP; MLW1-UP							
2339134			P-UB-10	3	6-1/2	CTC-2440980	245.08
3284267			P-UB-10	2-1/2	5-1/2	CTC-3284267K	127.95
RIPPER LIFT							
AKM1-UP; ALH1-UP; ALR1-UP; ALY1-UP; CBF1-UP; CBJ1-UP; CBL1-UP; CCG1-UP; CCK1-UP; CCS1-UP							
9T2716			P-UB-10	2-1/2	5	CTC-2422542	129.29
AKM1-UP; ALH1-UP; ALR1-UP; ALY1-UP; CBF1-UP; CBL1-UP; CCG1-UP; CCK1-UP; CCS1-UP; DJA1-UP; DJY1-UP; JAH1-UP							
2270842			P-UB-10	2-1/2	5	CTC-2422542	129.29
DJA1-UP; DJY1-UP; GHS1-UP; JAH1-UP; LJR1-UP; MLW1-UP							
3255723			P-UB-10	2-1/2	5	CTC-3933604	140.91
MODEL D6R							
DOZER							
1278931			P-UB-10	2-1/2	4	CTC-1353223	256.63
1294258			P-UB-10	2-1/2	4	CTC-1353223	256.63
RIPPER							
9T2716			P-UB-10	2-1/2	5	CTC-7X2658	269.30
TILT							
1U3991			P-UB-10	3	6-1/2	CTC-1126550	283.54
1U3991			P-UB-10	3	6-1/2	CTC-8T1408	129.19
9T6095			P-UB-10	2-1/2	6	CTC-1315164	274.88
9T6095			P-UB-10	2-1/2	6	CTC-7X2655	181.76
MODEL D6T							
ANGLING							
DJG1-UP; JWD1-UP; RLW1-UP; WCG1-UP; WFH1-UP; ZEB1-UP							
2871973			P-UB-10	2-1/4	4	CTC-2871973K	125.55
DOZER ANGLING							
DJG1-UP; JWD1-UP; RLW1-UP; WCG1-UP; WFH1-UP; ZEB1-UP							
2278893			P-UB-10	2-1/2	5-1/4	CTC-2341950	185.63
GCT1-UP; JHB1-UP; KJL1-UP; LAE1-UP; LAY1-UP; PEZ1-UP; SKL1-UP; SMC1-UP							
2270841			P-UB-10	2-1/2	6	CTC-2430388	114.05
DOZER LIFT							
DJG1-UP; JWD1-UP; RLW1-UP; WFH1-UP; ZEB1-UP							
2270994			P-UB-10	2-1/2	4	CTC-3652932	191.20

REPLACEMENT KITS FOR CATERPILLAR® EQUIPMENT

Crawler Dozers							
APPLICATION	CYL #	Misc-Parts, Instructions, etc.	CODE	ROD	BORE	KIT #	List \$
MODEL D6T							
DOZER LIFT							
GCT1-UP; JHB1-UP; LAE1-UP; LAY1-UP; LBD1-UP; LKJ1-UP; PEZ1-UP; SKL1-UP; SMC1-UP							
2270844			P-UB-10	2-1/2	4	CTC-2292626	157.40
JWD1-UP; RLW1-UP; WCG1-UP; ZEB1-UP							
2330478			P-UB-10	2-1/2	4	CTC-3652932	191.20
KJL1-UP; LAE1-UP; LBD1-UP; LKJ1-UP; PEZ1-UP							
2270843			P-UB-10	2-1/2	4	CTC-2292626	157.40
DOZER TILT							
JHB1-UP; KJL1-UP; LAE1-UP; LAY1-UP; LBD1-UP; LKJ1-UP; PEZ1-UP; SKL1-UP; SMC1-UP							
2339134			P-UB-10	3	6-1/2	CTC-2440980	245.08
RIPPER LIFT							
DJG1-UP; GCT1-UP; JHB1-UP; JWD1-UP; KJL1-UP; LAE1-UP; LAY1-UP; LBD1-UP; LKJ1-UP; PEZ1-UP; RLW1-UP; SKL1-UP; SMC1-UP; WCG1-UP; WFH1-UP; ZEB1-UP							
2270842			P-UB-10	2-1/2	5	CTC-2422542	129.29
3255723			P-UB-10	2-1/2	5	CTC-3933604	140.91
MODEL D7 LGP							
LIFT LH							
9J4887			P-UB-10	2-1/2	4-3/4	CTC-1014201	214.36
LIFT RH							
9J4888			P-UB-10	2-1/2	4-3/4	CTC-1014201	214.36
MODEL D7A, D7B, D7C, D7D, D7E							
DOZER LIFT							
3R6781			P-UB-10	2-1/2	4-3/4	CTC-7X2660	287.36
DOZER LIFT LH							
1U2133			P-UB-10	2-1/2	4-3/4	CTC-7X2660	287.36
1U2136			P-UB-10	2-1/2	4-3/4	CTC-7X2660	287.36
DOZER LIFT RH							
1U2134			P-UB-10	2-1/2	4-3/4	CTC-7X2660	287.36
1U2135			P-UB-10	2-1/2	4-3/4	CTC-7X2660	287.36
DOZER TILT							
2J6783			P-U-10	3-1/2	8-1/4	CTC-7X2720	289.04
3J9694			P-U-10	3-1/2	8-1/4	CTC-7X2720	289.04
3R6770			P-U-10	3-1/2	8-1/4	CTC-7X2720	289.04
9J8748			P-UB-10	3	6-1/2	CTC-7X2694	254.15
LIFT							
3J3271			P-UB-10	2-1/2	6	CTC-7X2679	221.05
4J6177			P-UB-10	2-1/2	4-3/4	CTC-1014201	214.36
4J6177			P-UB-10	2-1/2	4-3/4	CTC-7X2660	287.36
RIPPER							
3J6439			P-UB-10	2-1/2	6	CTC-7X2679	221.05
RIPPER LIFT							
3R6724	D7E only		P-UB-10	2-1/2	6	CTC-7X2679	221.05
4T9290			P-UB-10	2-1/2	6	CTC-7X2655	181.76
TILT							
5J7929			P-UB-10	2-1/2	6	CTC-7X2692	262.81
6J9752			P-UB-10	3	6-1/2	CTC-1126550	283.54
TRACK ADJUSTER							
	D7C, D7D only		TRK ADJ			CTC-FIG3400	95.70
	D7E only		TRK ADJ			CTC-FIG3404	74.02
MODEL D7G							
DOZER LH							
1041944			P-UB-10	2-1/2	4-3/4	CTC-1700221	226.62
1U2133			P-UB-10	2-1/2	4-3/4	CTC-7X2773	208.14
1U2136			P-UB-10	2-1/2	4-3/4	CTC-7X2773	208.14
DOZER LIFT							
3R6781			P-UB-10	2-1/2	4-3/4	CTC-7X2660	287.36

REPLACEMENT KITS FOR CATERPILLAR® EQUIPMENT

Crawler Dozers							
APPLICATION	CYL #	Misc-Parts, Instructions, etc.	CODE	ROD	BORE	KIT #	List \$
MODEL D7G							
DOZER LIFT LH							
	1U2133		P-UB-10	2-1/2	4-3/4	CTC-7X2660	287.36
	1U2136		P-UB-10	2-1/2	4-3/4	CTC-7X2660	287.36
DOZER LIFT RH							
	1U2134		P-UB-10	2-1/2	4-3/4	CTC-7X2660	287.36
	1U2135		P-UB-10	2-1/2	4-3/4	CTC-7X2660	287.36
DOZER RH							
	1041943		P-UB-10	2-1/2	4-3/4	CTC-1700221	226.62
	1U2134		P-UB-10	2-1/2	4-3/4	CTC-7X2773	208.14
	1U2135		P-UB-10	2-1/2	4-3/4	CTC-7X2773	208.14
DOZER TILT							
	2J6783		P-U-10	3-1/2	8-1/4	CTC-7X2720	289.04
	3J9694		P-U-10	3-1/2	8-1/4	CTC-7X2720	289.04
	3R6770		P-U-10	3-1/2	8-1/4	CTC-7X2720	289.04
	9J8748		P-UB-10	3	6-1/2	CTC-7X2694	254.15
LIFT							
	3J3271		P-UB-10	2-1/2	6	CTC-7X2679	221.05
	3R6781		P-UB-10	2-1/2	4-3/4	CTC-7X2660	287.36
	4J6177		P-UB-10	2-1/2	4-3/4	CTC-1014201	214.36
	4J6177		P-UB-10	2-1/2	4-3/4	CTC-7X2660	287.36
LIFT LH							
	7J3334		P-UB-10	2-1/2	4-3/4	CTC-7X2773	208.14
LIFT RH							
	7J3333		P-UB-10	2-1/2	4-3/4	CTC-7X2773	208.14
	9J4888		P-UB-10	2-1/2	4-3/4	CTC-7X2773	208.14
RIPPER							
	3J6439		P-UB-10	2-1/2	6	CTC-7X2679	221.05
RIPPER LIFT							
	4T9290		P-UB-10	2-1/2	6	CTC-7X2655	181.76
TILT							
	2J1402		P-UB-10	3	6-1/2	CTC-1318733	312.78
	5J7929		P-UB-10	2-1/2	6	CTC-7X2692	262.81
	6J9752		P-UB-10	3	6-1/2	CTC-1126550	283.54
	9J8748		P-UB-10	3	6-1/2	CTC-1126550	283.54
	9J8748		P-UB-10	3	6-1/2	CTC-8T1408	129.19
TILT LH							
	5J7930		P-UB-10	2-1/2	6	CTC-7X2692	262.81
	7J9364		P-UB-10	2-1/2	6	CTC-7X2669	345.57
TRACK ADJUSTER							
			TRK ADJ			CTC-FIG3401	89.33
MODEL D7R							
DOZER							
	1291908		P-UB-10	2-1/2	4	CTC-1353223	256.63
	1U4851		P-UB-10	2-1/2	4	CTC-1318748	246.33
	1U4851		P-UB-10	2-1/2	4	CTC-1353253	239.08
	1U4852		P-UB-10	2-1/2	4	CTC-1318748	246.33
	1U4852		P-UB-10	2-1/2	4	CTC-1353253	239.08
LIFT							
	1294259		P-UB-10	2-1/2	4	CTC-1353223	256.63
	6E1836		P-UB-10	2-1/2	4	CTC-1353223	256.63
	6E1841		P-UB-10	2-1/2	4	CTC-1353223	256.63
RIPPER							
	9T0142		P-UB-10	3	7-1/4	CTC-1326184	342.90

REPLACEMENT KITS FOR CATERPILLAR® EQUIPMENT

Crawler Dozers							
APPLICATION	CYL #	Misc-Parts, Instructions, etc.	CODE	ROD	BORE	KIT #	List \$
MODEL D7R							
TILT							
	1124814		P-UB-10	2-3/4	6	CTC-1352167	280.19
	3G4533		P-UB-10	3	6-1/2	CTC-1126550	283.54
	9T6113		P-UB-10	3	6-1/2	CTC-1126550	283.54
TILT LH							
	1470709		P-UB-10	3	6-1/2	CTC-1126550	283.54
TILT RH							
	1470708		P-UB-10	3	6-1/2	CTC-1126550	283.54
MODEL D8N							
DOZER							
	6E1102		P-UB-10	3	4-1/2	CTC-1353802	278.96
	6E1175		P-UB-10	3-1/2	7-1/4	CTC-1309483	453.24
	9T0140		P-UB-10	2-3/4	4-1/4	CTC-7X2451	177.39
	9T0141		P-UB-10	3-1/2	7-1/2	CTC-7X2722	297.18
PIN PULLER							
	6E3113		P-UB-10	1-3/4	4	CTC-1316108	173.81
	9T2066		P-UB-10	1-1/2	4	CTC-7X2738	139.94
RIPPER							
	9T0142		P-UB-10	3	7-1/4	CTC-1326184	342.90
	9T0143		P-UB-10	3	6-1/2	CTC-1279809	351.12
TILT							
	6E0397		P-UB-10	3	7-1/4	CTC-1326127	315.39
	9T6077		P-UB-10	3	6-1/2	CTC-1126550	283.54
MODEL D8R							
DOZER							
	6E1102		P-UB-10	3	4-1/2	CTC-1353802	278.96
	6E1175		P-UB-10	3-1/2	7-1/4	CTC-1309483	453.24
PIN PULLER							
	6E3113		P-UB-10	1-3/4	4	CTC-1316108	173.81
	9T2066		P-UB-10	1-1/2	4	CTC-7X2738	139.94
RIPPER							
	4Z6313		P-UB-10	3	6-1/2	CTC-1279809	351.12
	9T0142		P-UB-10	3	7-1/4	CTC-1326184	342.90
	9T0143		P-UB-10	3	6-1/2	CTC-1279809	351.12
TILT							
	6E0397		P-UB-10	3	7-1/4	CTC-1326127	315.39
MODEL D8T							
DOZER LIFT							
	J8B1-UP; KPZ1-UP						
	2505861		P-UB-10	3	4-1/2	CTC-3193557	152.98
DOZER TILT							
	J8B1-UP; KPZ1-UP						
	2407347		P-UB-10	3-1/2	7-1/4	CTC-2407347K	296.64
	2410550		P-UB-10	3-1/2	7-1/4	CTC-2460639	437.31
	6E0397		P-UB-10	3	7-1/4	CTC-2442059	372.96
RIPPER							
	J8B1-UP; KPZ1-UP						
	1553653		P-UB-10	3	7-1/4	CTC-2442067	214.20
RIPPER PIN PULLER							
	J8B1-UP; KPZ1-UP						
	6E3113		P-UB-10	1-3/4	4	CTC-2404819	173.81
RIPPER-LH							
	J8B1-UP; KPZ1-UP						
	1553652		P-UB-10	3	6-1/2	CTC-2442050	194.80

REPLACEMENT KITS FOR CATERPILLAR® EQUIPMENT

Crawler Dozers							
APPLICATION	CYL #	Misc-Parts, Instructions, etc.	CODE	ROD	BORE	KIT #	List \$
MODEL D8T							
RIPPER-RH							
	J8B1-UP; KPZ1-UP						
	1650102		P-UB-10	3	6-1/2	CTC-2442050	194.80
TILT							
	KPZ3627-UP						
	3473272		P-UB-10	3-1/2	7-1/4	CTC-3473272K	249.16
MODEL D9N							
DOZER LIFT							
	9T2860		P-UB-10	3	5-1/4	CTC-7X2756	202.29
DOZER TILT							
	3G5707		P-UB-10	3-1/2	8-1/4	CTC-7X2721	419.95
LIFT							
	9T2860		P-UB-10	3	5-1/4	CTC-7X2756	202.29
PIN PULLER							
	6E3113		P-UB-10	1-3/4	4	CTC-1316108	173.81
	9T2066		P-UB-10	1-1/2	4	CTC-7X2738	139.94
RIPPER							
	3G6457		P-UB-10	3-1/4	8-1/4	CTC-7X2715	401.41
RIPPER LIFT							
	3G6457		P-UB-10	3-1/4	8-1/4	CTC-7X2715	401.41
RIPPER PIN PULLER							
	9T2066		P-UB-10	1-1/2	4	CTC-7X2738	139.94
TILT							
	3G5707		P-UB-10	3-1/2	8-1/4	CTC-1371974	387.37
	6E4835	1229350 Piston	P-UB-10	3-1/2	8-1/4	CTC-1324905	335.91
	6E4836	1229350 Piston	P-UB-10	3-1/2	8-1/4	CTC-1324905	335.91
MODEL D9R							
DOZER							
	4Z6172		P-UB-10	3	4-3/4	CTC-1362025	334.53
	6E4433		P-UB-10	3	4-3/4	CTC-1542503	200.22
PIN PULLER							
	6E3113		P-UB-10	1-3/4	4	CTC-1316108	173.81
RIPPER							
	1238098		P-UB-10	3-1/4	7-1/4	CTC-1324987	364.19
	1325123		P-UB-10	3-1/4	7-1/4	CTC-1324987	364.19
	9T5813		P-UB-10	3-1/4	7-1/4	CTC-1324987	364.19
RIPPER TILT							
	1238097		P-UB-10	3	6	CTC-1324937	214.20
	1325149		P-UB-10	3	6	CTC-1324937	214.20
	9T5807		P-UB-10	3	6	CTC-1324937	214.20
TILT							
	1096778		P-UB-10	3-1/2	8-1/4	CTC-1324905	335.91
TILT LH							
	1098833		P-UB-10	3-1/2	8-1/4	CTC-1324905	335.91
	6E4835		P-UB-10	3-1/2	8-1/4	CTC-7X2721	419.95
TILT RH							
	1098832		P-UB-10	3-1/2	8-1/4	CTC-1324905	335.91
	6E4836		P-UB-10	3-1/2	8-1/4	CTC-7X2721	419.95
MODEL D9T							
DOZER LIFT							
	RJS1-UP						
	2256727		P-UB-10	3	4-3/4	CTC-4162092	205.29
	RJS1-UP; T9H1-UP; T9J1-UP						
	1658633		P-UB-10	3	4-3/4	CTC-3193558	192.78

REPLACEMENT KITS FOR CATERPILLAR® EQUIPMENT

Crawler Dozers							
APPLICATION	CYL #	Misc-Parts, Instructions, etc.	CODE	ROD	BORE	KIT #	List \$
MODEL D9T							
DOZER TILT							
	T9J1-UP						
	4Z6110		P-UB-10	3-1/2	8-1/4	CTC-4Z6110K	280.54
DOZER TILT LH							
	RJS1-UP						
	1098833		P-UB-10	3-1/2	8-1/4	CTC-2456835	294.37
DOZER TILT RH							
	RJS1-UP						
	1098832		P-UB-10	3-1/2	8-1/4	CTC-2456835	294.37
DOZER TILT STABILIZER							
	T9H1-UP; T9J1-UP						
	1096778		P-UB-10	3-1/2	8-1/4	CTC-2456835	294.37
RIPPER							
	CRM1-UP						
	1325123		P-UB-10	3-1/4	7-1/4	CTC-2450596	285.96
RIPPER - PIN PULLER							
	RJS1-UP						
	6E3113		P-UB-10	1-3/4	4	CTC-2404819	173.81
RIPPER TIP							
	CRM1-UP; MAM1-UP						
	1325149		P-UB-10	3	6	CTC-2442055	193.10
	RJS1-UP						
	4Z6364	Cold Weather	P-UB-10	3	6	CTC-4Z6364K	200.18
MODEL D10N							
DOZER							
	9T4279		P-UB-10	4	9-1/4	CTC-1324922	510.72
	9T4280		P-UB-10	4	9-1/4	CTC-1324922	510.72
	9T7341		P-UB-10	4	9-1/4	CTC-1324922	510.72
DOZER LIFT							
	9T2869		P-UB-10	3-1/2	6-1/4	CTC-7X0863	270.44
DOZER TILT							
	9T1180		P-UB-10	4	9-1/4	CTC-7X2799	454.33
	9T4279		P-UB-10	4	9-1/4	CTC-7X2799	454.33
LIFT							
	9T2869		P-UB-10	3-1/2	6-1/4	CTC-1365158	330.91
PIN PULLER							
	6E3113		P-UB-10	1-3/4	4	CTC-1316108	173.81
	9T2066		P-UB-10	1-1/2	4	CTC-7X2738	139.94
RIPPER							
	4T9977		P-UB-10	3-1/4	8-1/4	CTC-7X2715	401.41
RIPPER LH							
	4T5111		P-UB-10	3-1/4	9-1/4	CTC-1469631	390.23
	4T5111		P-UB-10	3-1/4	9-1/4	CTC-7X2707	536.15
RIPPER LIFT LH							
	4T5111		P-UB-10	3-1/4	9-1/4	CTC-7X2707	536.15
RIPPER LIFT RH							
	4T5112		P-UB-10	3-1/4	9-1/4	CTC-7X2707	536.15
RIPPER PIN PULLER							
	9T2066		P-UB-10	1-1/2	4	CTC-7X2738	139.94
RIPPER RH							
	4T5112		P-UB-10	3-1/4	9-1/4	CTC-1469631	390.23
	4T5112		P-UB-10	3-1/4	9-1/4	CTC-7X2707	536.15
RIPPER TILT							
	4T9977		P-UB-10	3-1/4	8-1/4	CTC-7X2715	401.41
TILT LH							
	9J0673		P-UB-10	2-3/4	6	CTC-7X2803	263.22

REPLACEMENT KITS FOR CATERPILLAR® EQUIPMENT

Crawler Dozers							
APPLICATION	CYL #	Misc-Parts, Instructions, etc.	CODE	ROD	BORE	KIT #	List \$
MODEL D10N							
TILT RH	9T9203		P-UB-10	4	9-1/4	CTC-1324922	510.72
TWIN TILT LH	9T9204		P-UB-10	4	9-1/4	CTC-7X2799	454.33
TWIN TILT RH	9T9203		P-UB-10	4	9-1/4	CTC-7X2799	454.33
MODEL D10R							
DOZER LH	9T9204		P-UB-10	4	9-1/4	CTC-1324922	510.72
DOZER RH	4T5112		P-UB-10	3-1/4	9-1/4	CTC-1469631	390.23
LIFT	9T2869		P-UB-10	3-1/2	6-1/4	CTC-1365158	330.91
PIN PULLER	6E3113		P-UB-10	1-3/4	4	CTC-1316108	173.81
RIPPER	4T9977		P-UB-10	3-1/4	8-1/4	CTC-7X2715	401.41
RIPPER LH	4T5111		P-UB-10	3-1/4	9-1/4	CTC-1469631	390.23
	4T5111		P-UB-10	3-1/4	9-1/4	CTC-7X2707	536.15
RIPPER RH	4T5112		P-UB-10	3-1/4	9-1/4	CTC-7X2707	536.15
TILT	9T9202		P-UB-10	4	9-1/4	CTC-1324922	510.72
MODEL D10T							
DOZER LIFT	BHA1-UP; BHF1-UP; BHJ1-UP; BHP1-UP; RJG1-UP						
	9T2869		P-UB-10	3-1/2	6-1/4	CTC-3189220	504.75
DOZER LIFT RH	RJG1-1900						
	2310865		P-UB-10	3-1/2	6-1/4	CTC-3189220	504.75
	RJG1901-UP						
	3238514		P-UB-10	3-1/2	6-1/4	CTC-3189220	504.75
DOZER TILT	BHA1-UP; BHF1-UP; BHJ1-UP; BHP1-UP						
	2320654		P-UB-10	4	9-1/4	CTC-2460648	504.06
DUAL TILT LH	RJG1-UP						
	2320652		P-UB-10	4	9-1/4	CTC-2460648	504.06
DUAL TILT RH	RJG1-UP						
	2320653		P-UB-10	4	9-1/4	CTC-2460648	504.06
RIPPER - PIN PULLER	RJG1-UP						
	6E3113		P-UB-10	1-3/4	4	CTC-2404819	173.81
RIPPER LIFT LH	4PP1-UP; BRT1-UP; BEY1-UP						
	1926446		P-UB-10	3-1/2	9-1/4	CTC-2610582	309.84
RIPPER LIFT RH	4PP1-UP; BRT1-UP; BEY1-UP						
	1926445		P-UB-10	3-1/2	9-1/4	CTC-2610582	309.84
RIPPER TILT	4PP1-UP; BRT1-UP; BEY1-UP						
	4T9977		P-UB-10	3-1/4	8-1/4	CTC-4T9977K	249.20

REPLACEMENT KITS FOR CATERPILLAR® EQUIPMENT

Crawler Dozers							
APPLICATION	CYL #	Misc-Parts, Instructions, etc.	CODE	ROD	BORE	KIT #	List \$
MODEL D11N							
DOZER LIFT LH							
	4T2727		P-UB-10	4	7	CTC-1326783	381.55
	4T2727		P-UB-10	4	7	CTC-8T1457	307.30
DOZER LIFT RH							
	4T2728		P-UB-10	4	7	CTC-1326783	381.55
	4T2728		P-UB-10	4	7	CTC-8T1457	307.30
DOZER TILT							
	1U2711		P-UB-10	4	10-1/2	CTC-1324932	578.16
	9T1180		P-UB-10	4	9-1/4	CTC-7X2799	454.33
	9T4276		P-UB-10	4	9-1/4	CTC-7X2799	454.33
PIN PULLER							
	6E3113		P-UB-10	1-3/4	4	CTC-2404819	173.81
	9T2066		P-UB-10	1-1/2	4	CTC-7X2738	139.94
RIPPER							
	4T7985		P-UB-10	3-1/4	8-1/4	CTC-7X2715	401.41
RIPPER PIN PULLER							
	9T2066		P-UB-10	1-1/2	4	CTC-7X2738	139.94
RIPPER TILT							
	3G2220		P-UB-10	3-1/4	8-1/4	CTC-7X2801	364.97
	3G3220		P-UB-10	3-1/4	8-1/4	CTC-7X2715	401.41
	4T7985		P-UB-10	3-1/4	8-1/4	CTC-7X2715	401.41
TILT							
	9T3715		P-UB-10	4	10-1/2	CTC-1324932	578.16
	9T3716		P-UB-10	4	10-1/2	CTC-1324932	578.16
MODEL D11R							
DOZER							
	1U2711		P-UB-10	4	10-1/2	CTC-1324932	578.16
DOZER LH							
	4T2727		P-UB-10	4	7	CTC-1326783	381.55
	4T2727		P-UB-10	4	7	CTC-8T1457	307.30
DOZER RH							
	4T2728		P-UB-10	4	7	CTC-1326783	381.55
	4T2728		P-UB-10	4	7	CTC-8T1457	307.30
PIN PULLER							
	6E3113		P-UB-10	1-3/4	4	CTC-1316108	173.81
	9T2066		P-UB-10	1-1/2	4	CTC-7X2738	139.94
RIPPER							
	1616615		P-UB-10	3-1/2	10	CTC-2460635	725.32
RIPPER LH							
	1616616		P-UB-10	3-1/2	10	CTC-2460635	725.32
	1617563		P-UB-10	4-1/2	220 mm	CTC-2295546	591.43
RIPPER RH							
	1617562		P-UB-10	4-1/2	220 mm	CTC-2295546	591.43
TILT							
	9T3715		P-UB-10	4	10-1/2	CTC-1324932	578.16
	9T3716		P-UB-10	4	10-1/2	CTC-1324932	578.16
MODEL D11T							
LIFT							
	AMA1-; GEB1-; JEL1-; 8PP1-; 8RP1-						
	2520471		P-UB-10	4	7	CTC-3189225	387.74
	AMA1-; JEL1-; JNS1-; MDG1-						
	2618004		P-UB-10	4	7	CTC-4161944	320.44
	BHZ1-; GEB1-; TPB1-						
	2520473		P-UB-10	4	7	CTC-3189225	387.74

REPLACEMENT KITS FOR CATERPILLAR® EQUIPMENT

Crawler Dozers							
APPLICATION	CYL #	Misc-Parts, Instructions, etc.	CODE	ROD	BORE	KIT #	List \$
MODEL D11T							
RIPPER LIFT							
	AMA1-; GAZ1-; JCJ1-; JEL1-; JJC1-; LJA1-; MJM1-						
	3401877		P-UB-10	3-1/2	10	CTC-2460635	725.32
RIPPER LIFT LH							
	7ZP1-						
	1616616		P-UB-10	3-1/2	10	CTC-2460635	725.32
	GAZ1-; 5MP1-; 7CP1-; 7DP1-; 7PP1-						
	1018614		P-UB-10	3-1/2	10	CTC-2460635	725.32
RIPPER LIFT RH							
	7ZP1-						
	1616615		P-UB-10	3-1/2	10	CTC-2460635	725.32
	GAZ1-; 5MP1-; 7CP1-; 7DP1-; 7PP1-						
	1018581		P-UB-10	3-1/2	10	CTC-2460635	725.32
RIPPER PIN PULLER							
	AMA1-; GEB1-; JEL1-; JNS1-; TPB1-; 7YP1-; 7ZP1-						
	6E3113		P-UB-10	1-3/4	4	CTC-2404819	173.81
RIPPER TILT LH							
	AMA1-; GAZ1-; LJA1-; JJC1-; JCJ1-; JEL1-; MJM1-; 5MP1-; 7CP1-; 7DP1-; 7PP1-						
	1306381		P-UB-10	3-3/4	7-3/4	CTC-2459840	534.46
RIPPER TILT RH							
	AMA1-; GAZ1-; LJA1-; JJC1-; JCJ1-; JEL1-; MJM1-; 5MP1-; 7CP1-; 7DP1-; 7PP1-						
	1303263		P-UB-10	3-3/4	7-3/4	CTC-2459840	534.46
TILT							
	GEB1-						
	3082444		P-UB-10	4	10-1/2	CTC-2460649	760.89
	3672255		P-UB-10	4	10-1/2	CTC-2460649	760.89
TILT LH							
	7ZP1-						
	1617563		P-UB-10	4-1/2	220 mm	CTC-2295546	591.43
	8PP1-; 8RP1-						
	3082462		P-UB-10	4	10-1/2	CTC-2460649	760.89
	AMA1-; JEL1-; 8PP1-; 8RP1-						
	3672259		P-UB-10	4	10-1/2	CTC-2460649	760.89
	BHZ1-; JNS1-; MDG1-						
	3082465		P-UB-10	5	11	CTC-3082465K	881.84
TILT RH							
	7ZP1-						
	1617562		P-UB-10	4-1/2	220 mm	CTC-2295546	591.43
	8PP1-; 8RP1-						
	3082464		P-UB-10	4	10-1/2	CTC-2460649	760.89
	AMA1-; JEL1-; 8PP1-; 8RP1-						
	3672258		P-UB-10	4	10-1/2	CTC-2460649	760.89
	BHZ1-; JNS1-; MDG1-						
	3082467		P-UB-10	5	10	CTC-3082467K	662.57
Crawler Loaders							
APPLICATION	CYL #	Misc-Parts, Instructions, etc.	CODE	ROD	BORE	KIT #	List \$
MODEL 931							
BACKHOE BOOM							
	3G5767		P-UB-10	2-1/4	4-1/2	CTC-7X2748	172.14
	8J5555		P-UB-10	2-1/4	4-1/2	CTC-7X2748	172.14
BACKHOE BUCKET							
	3G5905		P-UB-10	2-1/4	3-1/2	CTC-7X2818	144.32
	8J5642		P-UB-10	2-1/4	3-1/2	CTC-7X2818	144.32

REPLACEMENT KITS FOR CATERPILLAR® EQUIPMENT

Crawler Loaders							
APPLICATION	CYL #	Misc-Parts, Instructions, etc.	CODE	ROD	BORE	KIT #	List \$
MODEL 931							
BACKHOE STABILIZER							
	1U2655		P-UB-10	2	4	CTC-1328816	148.39
	1U2656		P-UB-10	2	4	CTC-1328816	148.39
	3G6792		P-UB-10	1-1/2	3-1/2	CTC-7X2752	152.63
	8J6903		P-UB-10	2	4	CTC-1328816	148.39
	8J6904		P-UB-10	2	4	CTC-1328816	148.39
	8J9481		P-UB-10	1-1/2	3-1/2	CTC-7X2752	152.63
BACKHOE STICK							
	3G5771		P-UB-10	2	4	CTC-1328816	148.39
	8J5448		P-UB-10	2	4	CTC-1328816	148.39
LIFT							
	7J5893		P-UB-10	2	4	CTC-1328816	148.39
	7J5894		P-UB-10	2	4	CTC-1328816	148.39
M.P. BUCKET							
	3G7365		P-UB-10	1-1/2	3-1/2	CTC-7X2752	152.63
	8J5391		P-UB-10	1-1/2	3-1/2	CTC-7X2752	152.63
RIPPER							
	7J9920		P-UB-10	2	4	CTC-1328816	148.39
TILT							
	7J5885		P-UB-10	1-3/4	3	CTC-7X2791	141.74
	9J7905		P-UB-10	1-3/4	3	CTC-7X2791	141.74
MODEL 931B							
BACKHOE BOOM/BUCKET							
	3G5767		P-UB-10	2-1/4	4-1/2	CTC-1326770	231.03
	3G5905		P-UB-10	2-1/4	3-1/2	CTC-1358166	260.00
BACKHOE BUCKET							
	8J5642		P-UB-10	2-1/4	3-1/2	CTC-7X2818	144.32
BACKHOE STABILIZER							
	8J6903		P-UB-10	2	4	CTC-7X2789	163.22
	8J6904		P-UB-10	2	4	CTC-7X2789	163.22
	8J9481		P-UB-10	1-1/2	3-1/2	CTC-7X2752	152.63
BACKHOE STICK/BLADE SHIFT							
	3G5771		P-UB-10	2	4	CTC-1328816	148.39
LIFT							
	7J5893		P-UB-10	2	4	CTC-1328816	148.39
	7J5894		P-UB-10	2	4	CTC-1328816	148.39
LIFT LH							
	6E0214		P-UB-10	2	4	CTC-1328816	148.39
	9T6705		P-UB-10	2	4	CTC-1328816	148.39
LIFT RH							
	9T6704		P-UB-10	2	4	CTC-1328816	148.39
M.P. BUCKET							
	3G7365		P-UB-10	1-1/2	3-1/2	CTC-7X2752	152.63
RIPPER							
	7J9920		P-UB-10	2	4	CTC-1328816	148.39
STABILIZER							
	3G6792		P-UB-10	1-1/2	3-1/2	CTC-7X2752	152.63
	8J6903		P-UB-10	2	4	CTC-7X2789	163.22
	8J6904		P-UB-10	2	4	CTC-7X2789	163.22
	8J9481		P-UB-10	1-1/2	3-1/2	CTC-7X2752	152.63
STABILIZER LH							
	1U2656		P-UB-10	2	4	CTC-1328816	148.39
STABILIZER RH							
	1U2655		P-UB-10	2	4	CTC-1328816	148.39

REPLACEMENT KITS FOR CATERPILLAR® EQUIPMENT

Crawler Loaders							
APPLICATION	CYL #	Misc-Parts, Instructions, etc.	CODE	ROD	BORE	KIT #	List \$
MODEL 931B							
TILT							
	1U3165		P-UB-10	1-3/4	3-1/4	CTC-7X2764	110.00
	4T0963		P-UB-10	1-3/4	3-1/4	CTC-7X2764	110.00
	7J5885		P-UB-10	1-3/4	3	CTC-7X2791	141.74
	9J7905		P-UB-10	1-3/4	3	CTC-7X2791	141.74
MODEL 931C							
BACKHOE BOOM/BUCKET							
	3G5767		P-UB-10	2-1/4	4-1/2	CTC-1326770	231.03
	3G5767		P-UB-10	2-1/4	4-1/2	CTC-7X2748	172.14
	3G5905		P-UB-10	2-1/4	3-1/2	CTC-1358166	260.00
BACKHOE BUCKET							
	8J5642		P-UB-10	2-1/4	3-1/2	CTC-7X2818	144.32
BACKHOE STABILIZER							
	1U2655		P-UB-10	2	4	CTC-7X2789	163.22
	1U2656		P-UB-10	2	4	CTC-7X2789	163.22
	3G6792		P-UB-10	1-1/2	3-1/2	CTC-7X2752	152.63
	8J6903		P-UB-10	2	4	CTC-7X2789	163.22
	8J6904		P-UB-10	2	4	CTC-7X2789	163.22
	8J9481		P-UB-10	1-1/2	3-1/2	CTC-7X2752	152.63
BACKHOE STICK/BLADE SHIFT							
	3G5771		P-UB-10	2	4	CTC-1328816	148.39
BUCKET							
	3G7365		P-UB-10	1-1/2	3-1/2	CTC-7X2752	152.63
LIFT							
	7J5893		P-UB-10	2	4	CTC-1328816	148.39
	7J5894		P-UB-10	2	4	CTC-1328816	148.39
LIFT LH							
	6E0214		P-UB-10	2	4	CTC-1328816	148.39
	9T6705		P-UB-10	2	4	CTC-1328816	148.39
LIFT RH							
	9T6704		P-UB-10	2	4	CTC-1328816	148.39
M.P. BUCKET							
	3G7365		P-UB-10	1-1/2	3-1/2	CTC-7X2752	152.63
RIPPER							
	7J9920		P-UB-10	2	4	CTC-1328816	148.39
STABILIZER							
	3G6792		P-UB-10	1-1/2	3-1/2	CTC-7X2752	152.63
STABILIZER LH							
	1U2656		P-UB-10	2	4	CTC-1328816	148.39
STABILIZER RH							
	1U2655		P-UB-10	2	4	CTC-1328816	148.39
TILT							
	4T0963		P-UB-10	1-3/4	3-1/4	CTC-7X2764	110.00
MODEL 933							
BUCKET							
	3G7365		P-UB-10	1-1/2	3-1/2	CTC-7X2752	152.63
LIFT LH							
	1052808		P-UB-10	2	4	CTC-1328816	148.39
LIFT RH							
	1052886		P-UB-10	2	4	CTC-1328816	148.39
	6E0212		P-UB-10	2	4	CTC-1328816	148.39
RIPPER							
	7J9920		P-UB-10	2	4	CTC-1328816	148.39
TILT							
	1012493		P-UB-10	1-3/4	3-1/2	CTC-7X2784	114.46
	1368600		P-UB-10	1-3/4	3-1/2	CTC-7X2784	114.46

REPLACEMENT KITS FOR CATERPILLAR® EQUIPMENT

Crawler Loaders							
APPLICATION	CYL #	Misc-Parts, Instructions, etc.	CODE	ROD	BORE	KIT #	List \$
MODEL 933C							
BUCKET							
	1494362		P-UB-10	2	4	CTC-1328816	148.39
LIFT RH							
	1412421		P-UB-10	2	4	CTC-1328816	148.39
RIPPER							
	7J9920		P-UB-10	2	4	CTC-1328816	148.39
TILT							
	1214264		P-UB-10	1-3/4	3-1/2	CTC-7X2784	114.46
TRACK ADJUSTER							
			TRK ADJ			CTC-FIG4400	76.86
MODEL 933E, 933F, 933G							
TRACK ADJUSTER							
			TRK ADJ			CTC-FIG4400	76.86
MODEL 935B							
BACKHOE / BOOM BUCKET							
	3G5767		P-UB-10	2-1/4	4-1/2	CTC-1326770	231.03
	3G5905		P-UB-10	2-1/4	3-1/2	CTC-1358166	260.00
BACKHOE BUCKET							
	3G7365		P-UB-10	1-1/2	3-1/2	CTC-7X2752	152.63
BACKHOE STICK/BLADE SHIFT							
	3G5771		P-UB-10	2	4	CTC-1328816	148.39
LIFT							
	7J5893		P-UB-10	2	4	CTC-1328816	148.39
	7J5894		P-UB-10	2	4	CTC-1328816	148.39
LIFT LH							
	6E0214		P-UB-10	2	4	CTC-1328816	148.39
	9T6705		P-UB-10	2	4	CTC-1328816	148.39
LIFT RH							
	9T6704		P-UB-10	2	4	CTC-1328816	148.39
RIPPER							
	7J9920		P-UB-10	2	4	CTC-1328816	148.39
STABILIZER							
	3G6792		P-UB-10	1-1/2	3-1/2	CTC-7X2752	152.63
STABILIZER LH							
	1U2656		P-UB-10	2	4	CTC-1328816	148.39
STABILIZER RH							
	1U2655		P-UB-10	2	4	CTC-1328816	148.39
TILT							
	4T0963		P-UB-10	1-3/4	3-1/4	CTC-7X2764	110.00
MODEL 935C							
BACKHOE BOOM/BUCKET							
	3G5767		P-UB-10	2-1/4	4-1/2	CTC-1326770	231.03
	3G5905		P-UB-10	2-1/4	3-1/2	CTC-1358166	260.00
BACKHOE BUCKET							
	3G7365		P-UB-10	1-1/2	3-1/2	CTC-7X2752	152.63
BACKHOE STICK/BLADE SHIFT							
	3G5771		P-UB-10	2	4	CTC-1328816	148.39
LIFT							
	7J5893		P-UB-10	2	4	CTC-1328816	148.39
	7J5894		P-UB-10	2	4	CTC-1328816	148.39
LIFT LH							
	6E0214		P-UB-10	2	4	CTC-1328816	148.39
	9T6705		P-UB-10	2	4	CTC-1328816	148.39
LIFT RH							
	6E0212		P-UB-10	2	4	CTC-1328816	148.39
	9T6704		P-UB-10	2	4	CTC-1328816	148.39

REPLACEMENT KITS FOR CATERPILLAR® EQUIPMENT

Crawler Loaders							
APPLICATION	CYL #	Misc-Parts, Instructions, etc.	CODE	ROD	BORE	KIT #	List \$
MODEL 935C							
RIPPER							
	7J9920		P-UB-10	2	4	CTC-1328816	148.39
STABILIZER							
	3G6792		P-UB-10	1-1/2	3-1/2	CTC-7X2752	152.63
STABILIZER LH							
	1U2656		P-UB-10	2	4	CTC-1328816	148.39
STABILIZER RH							
	1U2655		P-UB-10	2	4	CTC-1328816	148.39
TILT							
	4T0963		P-UB-10	1-3/4	3-1/4	CTC-7X2764	110.00
MODEL 939							
BUCKET							
	3G7365		P-UB-10	1-1/2	3-1/2	CTC-7X2752	152.63
LIFT LH							
	1052808		P-UB-10	2	4	CTC-1328816	148.39
LIFT RH							
	1052886		P-UB-10	2	4	CTC-1328816	148.39
	6E0212		P-UB-10	2	4	CTC-1328816	148.39
RIPPER							
	7J9920		P-UB-10	2	4	CTC-1328816	148.39
TILT							
	1012518		P-UB-10	2	4	CTC-1328816	148.39
	1363129		P-UB-10	2	4	CTC-1328816	148.39
MODEL 939C							
BUCKET							
	1494362		P-UB-10	2	4	CTC-1328816	148.39
LIFT							
	1412422		P-UB-10	2-1/2	4-1/2	CTC-1113300	218.49
RIPPER							
	7J9920		P-UB-10	2	4	CTC-1328816	148.39
TILT							
	1414266		P-UB-10	2	4	CTC-1328816	148.39
MODEL 941							
BUCKET							
	7J6789		P-UB-10	2	4	CTC-7X2789	163.22
	8J5663		P-UB-10	2	4	CTC-7X2789	163.22
BUCKET LH							
	6J2806		P-UB-10	2	4	CTC-7X2789	163.22
BUCKET RH							
	6J2805		P-UB-10	2	4	CTC-7X2789	163.22
LIFT							
	8J6868		P-UB-10	2-1/2	4	CTC-7X2659	198.91
LIFT LH							
	6J3082		P-UB-10	2-1/4	4	CTC-7X2802	146.69
	7J9862		P-UB-10	2-1/4	4	CTC-7X2802	146.69
	9J5726		P-UB-10	2-1/4	4	CTC-7X2802	146.69
LIFT RH							
	6J3081		P-UB-10	2-1/4	4	CTC-7X2802	146.69
	7J9861		P-UB-10	2-1/4	4	CTC-7X2802	146.69
	9J5725		P-UB-10	2-1/4	4	CTC-7X2802	146.69
PUMP							
	16U; 32F; 80H; 86J						
	9J5080	w/ Felt Ring				CTC-4J9281	29.55
	9J5080	w/ FKM Oil Seal				CTC-9J5116	44.01
	80H; 86J						
	7J0583					CTC-9J5111	67.12

REPLACEMENT KITS FOR CATERPILLAR® EQUIPMENT

Crawler Loaders							
APPLICATION	CYL #	Misc-Parts, Instructions, etc.	CODE	ROD	BORE	KIT #	List \$
MODEL 941							
RIPPER							
	6J3308		P-UB-10	2-1/2	5-1/2	CTC-8T1374	149.41
	6J3308		P-UB-10	2-1/2	5-1/2	CTC-9X2050	161.08
SIDE DUMP							
	8J5670		P-UB-10	2	4	CTC-7X2755	182.47
	8J5670		P-UB-10	2	4	CTC-7X7937	223.75
TILT							
			P-UB-10	2-3/8	4	CTC-2418925	90.35
TRACK ADJUSTER							
			TRK ADJ			CTC-FIG4400	76.86
MODEL 941B							
BUCKET							
	7J6789		P-UB-10	2	4	CTC-7X2789	163.22
	8J5663		P-UB-10	2	4	CTC-7X2789	163.22
LIFT LH							
	6J3082		P-UB-10	2-1/4	4	CTC-7X2802	146.69
	7J9862		P-UB-10	2-1/4	4	CTC-7X2802	146.69
	9J5726		P-UB-10	2-1/4	4	CTC-7X2802	146.69
LIFT RH							
	6J3081		P-UB-10	2-1/4	4	CTC-7X2802	146.69
	7J9861		P-UB-10	2-1/4	4	CTC-7X2802	146.69
	9J5725		P-UB-10	2-1/4	4	CTC-7X2802	146.69
M.P. BUCKET							
	8J5663		P-UB-10	2	4	CTC-7X2789	163.22
M.P. BUCKET LH							
	6J2806		P-UB-10	2	4	CTC-7X2789	163.22
M.P. BUCKET RH							
	6J2805		P-UB-10	2	4	CTC-7X2789	163.22
PUMP							
	16U; 32F; 80H; 86J						
	9J5080	w/ Felt Ring				CTC-4J9281	29.55
	9J5080	w/ FKM Oil Seal				CTC-9J5116	44.01
	80H; 86J						
	7J0583					CTC-9J5111	67.12
RIPPER							
	6J3308		P-UB-10	2-1/2	5-1/2	CTC-8T1374	149.41
	6J3308		P-UB-10	2-1/2	5-1/2	CTC-9X2050	161.08
SIDE DUMP							
	8J5670		P-UB-10	2	4	CTC-7X2755	182.47
	8J5670		P-UB-10	2	4	CTC-7X7937	223.75
TILT							
			P-UB-10	2-3/8	4	CTC-2418925	90.35
TRACK ADJUSTER							
			TRK ADJ			CTC-FIG4400	76.86
MODEL 943							
BUCKET							
	4T9387		P-UB-10	2	4	CTC-1328816	148.39
	9J4892		P-UB-10	2	4	CTC-7X2789	163.22
BUCKET TILT							
	1U4802		P-UB-10	2-1/2	4-3/4	CTC-7X2660	287.36
LIFT							
	4T1963		P-UB-10	2-1/4	4	CTC-1361171	162.17
	9J0532		P-UB-10	2-1/4	4	CTC-1361171	162.17
M.P. BUCKET							
	9J4892		P-UB-10	2	4	CTC-7X2789	163.22

REPLACEMENT KITS FOR CATERPILLAR® EQUIPMENT

Crawler Loaders							
APPLICATION	CYL #	Misc-Parts, Instructions, etc.	CODE	ROD	BORE	KIT #	List \$
MODEL 943							
RIPPER							
	3G1296		P-UB-10	2	4	CTC-1328816	148.39
TILT							
	1U4802		P-UB-10	2-1/2	4-3/4	CTC-7X2660	287.36
	3G4653		P-UB-10	2-1/2	4-3/4	CTC-7X2660	287.36
MODEL 943B							
BUCKET							
	4T9387		P-UB-10	2	4	CTC-1328816	148.39
LIFT							
	9T3623		P-UB-10	2-1/4	4	CTC-1361171	162.17
RIPPER							
	3G1296		P-UB-10	2	4	CTC-1328816	148.39
TILT							
	6E0257		P-UB-10	2-1/2	4-3/4	CTC-1328811	244.68
MODEL 951							
LIFT							
	7J9821		P-UB-10	2-1/4	4-1/4	CTC-7X2750	183.01
	7J9822		P-UB-10	2-1/4	4-1/4	CTC-7X2750	183.01
	9J5728		P-UB-10	2-1/4	4-1/4	CTC-7X2750	183.01
LIFT RH							
	9J5727		P-UB-10	2-1/4	4-1/4	CTC-7X2750	183.01
LOG FORK LH							
	8J5677		P-V-10	2	5	CTC-7X2763	216.70
LOG FORK RH							
	8J5676		P-V-10	2	5	CTC-7X2763	216.70
M.P. BUCKET LH							
	6J2806		P-UB-10	2	4	CTC-7X2789	163.22
M.P. BUCKET RH							
	6J2805		P-UB-10	2	4	CTC-7X2789	163.22
RIPPER							
	6J3308		P-UB-10	2-1/2	5-1/2	CTC-8T1374	149.41
TILT							
	4T9387		P-UB-10	2	4	CTC-7X2789	163.22
	5J9815		P-UB-10	2-3/8	4-1/4	CTC-8T1464	85.78
	5J9816		P-UB-10	2-3/8	4-1/4	CTC-8T1464	85.78
	8J5939		P-UB-10	2-3/8	4-1/4	CTC-8T1464	85.78
TILT LH							
	2K3744		P-V-10	2	5	CTC-7X2763	216.70
	3G8083		P-UB-10	2-3/8	4-1/4	CTC-8T1464	85.78
TILT RH							
	2K3743		P-V-10	2	5	CTC-7X2763	216.70
	7J9833		P-UB-10	2-3/8	4-1/4	CTC-8T1464	85.78
TRACK ADJUSTER							
			TRK ADJ			CTC-FIG4400	76.86
MODEL 951B, 951C							
BUCKET							
	7J6789		P-UB-10	2	4	CTC-7X2789	163.22
	8J5663		P-UB-10	2	4	CTC-7X2789	163.22
BUCKET LH							
	6J2806		P-UB-10	2	4	CTC-7X2789	163.22
BUCKET RH							
	6J2805		P-UB-10	2	4	CTC-7X2789	163.22
LIFT LH							
	6J4014		P-UB-10	2-1/4	4-1/4	CTC-7X2750	183.01
	7J9822		P-UB-10	2-1/4	4-1/4	CTC-7X2750	183.01
	9J5728		P-UB-10	2-1/4	4-1/4	CTC-7X2750	183.01

REPLACEMENT KITS FOR CATERPILLAR® EQUIPMENT

Crawler Loaders							
APPLICATION	CYL #	Misc-Parts, Instructions, etc.	CODE	ROD	BORE	KIT #	List \$
MODEL 951B, 951C							
LIFT RH							
	6J4013		P-UB-10	2-1/4	4-1/4	CTC-7X2750	183.01
	7J9821		P-UB-10	2-1/4	4-1/4	CTC-7X2750	183.01
	9J5727		P-UB-10	2-1/4	4-1/4	CTC-7X2750	183.01
PUMP							
	16U; 32F; 80H; 86J						
	9J5080	w/ Felt Ring				CTC-4J9281	29.55
	9J5080	w/ FKM Oil Seal				CTC-9J5116	44.01
	80H; 86J						
	7J0583					CTC-9J5111	67.12
RIPPER							
	6J3308		P-UB-10	2-1/2	5-1/2	CTC-9X2050	161.08
SIDE DUMP							
	8J5670		P-UB-10	2	4	CTC-7X2755	182.47
	8J5670		P-UB-10	2	4	CTC-7X7937	223.75
TILT							
	6J3308		P-UB-10	2-1/2	5-1/2	CTC-8T1374	149.41
	8J5939		P-UB-10	2-3/8	4-1/4	CTC-8T1464	85.78
TILT LH							
	3G8083		P-UB-10	2-3/8	4-1/4	CTC-8T1464	85.78
	5J9815		P-UB-10	2-3/8	4-1/4	CTC-8T1464	85.78
	5J9816		P-UB-10	2-3/8	4-1/4	CTC-8T1464	85.78
	7J9834		P-UB-10	2-3/8	4-1/4	CTC-8T1464	85.78
TILT RH							
	7J9833		P-UB-10	2-3/8	4-1/4	CTC-8T1464	85.78
	8J5939		P-UB-10	2-3/8	4-1/4	CTC-8T1464	85.78
TRACK ADJUSTER							
		951C only	TRK ADJ			CTC-FIG4400	76.86
MODEL 953B							
BUCKET							
	4T9387		P-UB-10	2	4	CTC-1328816	148.39
LIFT							
	9T3625	Rod Bearing width- 0.98", Head 9T3609	P-UB-10	2-1/2	4-3/4	CTC-1361131	229.07
	9T3625	Rod Bearing width- 1.24", Head 1206679	P-UB-10	2-1/2	4-3/4	CTC-2341948	144.97
RIPPER							
	3G1296		P-UB-10	2	4	CTC-1328816	148.39
TILT							
	1U0418		P-UB-10	3	5-1/2	CTC-1281673	365.64
MODEL 953C							
BUCKET							
	4T9387		P-UB-10	2	4	CTC-1328816	148.39
LIFT							
	9T3625	Rod Bearing width- 0.98", Head 9T3609	P-UB-10	2-1/2	4-3/4	CTC-1361131	229.07
	9T3625	Rod Bearing width- 1.24", Head 1206679	P-UB-10	2-1/2	4-3/4	CTC-2341948	144.97
RIPPER							
	3G1296		P-UB-10	2	4	CTC-1328816	148.39
TILT							
	1U0418		P-UB-10	3	5-1/2	CTC-1281673	365.64
MODEL 953D							
BUCKET MP							
	LBP1-UP						
	2929044		P-UB-10	2	4	CTC-2929044K	110.43

CATERPILLAR®

REPLACEMENT KITS FOR CATERPILLAR® EQUIPMENT

Crawler Loaders							
APPLICATION	CYL #	Misc-Parts, Instructions, etc.	CODE	ROD	BORE	KIT #	List \$
MODEL 953D							
LIFT							
LBP1-UP							
	2488788		P-UB-10	65 mm	115 mm	CTC-3925193	245.50
	2526337		P-UB-10	65 mm	115 mm	CTC-3925193	245.50
RIPPER							
9JW1-UP							
	2860814		P-UB-10	2	4	CTC-2860814K	110.51
TILT							
LBP1-UP							
	2696483		P-UB-10	85 mm	140 mm	CTC-2696483K	204.57
MODEL 953K							
BUCKET							
JNR1-UP; LJT1-UP							
	6053745		P-U-10	50 mm	4	CTC-6115949	133.82
BUCKET MP							
JNR1-UP; LJT1-UP							
	2929044		P-UB-10	2	4	CTC-2929044K	110.43
LIFT							
JNR1-418; LJT1-377							
	2488788		P-UB-10	65 mm	115 mm	CTC-3925193	245.50
JNR419-UP; LJT378-UP							
	6053741		P-U-10	65 mm	115 mm	CTC-6115924	160.93
RIPPER							
JNR1-UP; LJT1-UP							
	6053744		P-U-10	50 mm	4	CTC-6115949	133.82
TILT							
JNR1-418; LJT1-377							
	2696483		P-UB-10	85 mm	140 mm	CTC-4152462	204.57
JNR1-UP							
	6069013		P-UB-10	85 mm	140 mm	CTC-6115900	273.93
MODEL 963B, 963C							
CLAMP							
	8J8498		P-V-10	2	4-1/2	CTC-1328783	119.45
LIFT							
			P-UB-10	2-3/4	5-1/2	CTC-2601518	196.82
RIPPER							
	1228420		P-UB-10	2-1/4	4-1/2	CTC-1326770	231.03
RIPPER RH							
	1228421		P-UB-10	2-1/4	4-1/2	CTC-1326770	231.03
TILT							
	3G3874		P-UB-10	3-3/4	6-1/2	CTC-7X2731	414.43
MODEL 963D							
BUCKET MP							
LCS1-UP							
	2929043		P-UB-10	2	4-1/2	CTC-3260501	173.70
LIFT LH							
LCS1-UP							
	2469101		P-UB-10	3	5	CTC-2469101K	170.82
LIFT RH							
LCS1-UP							
	2940509		P-UB-10	3	5	CTC-2940509K	174.75
RIPPER LH							
8XR1-UP							
	2860813		P-UB-10	2-1/4	4-1/2	CTC-3110662	110.21

REPLACEMENT KITS FOR CATERPILLAR® EQUIPMENT

Crawler Loaders							
APPLICATION	CYL #	Misc-Parts, Instructions, etc.	CODE	ROD	BORE	KIT #	List \$
MODEL 963D							
RIPPER RH							
	8XR1-UP						
	2860812		P-UB-10	2-1/4	4-1/2	CTC-3110662	110.21
TILT							
	LCS1-UP						
	2940510		P-UB-10	95 mm	150 mm	CTC-2940510K	327.82
MODEL 963K							
BUCKET							
	LBL1-UP						
	3825007		P-UB-10	2-1/4	4-1/2	CTC-3110662	110.21
BUCKET MP							
	LBL1-UP; YDR1-UP						
	2929043		P-UB-10	2	4-1/2	CTC-3260501	173.70
LIFT							
	LBL1-UP; YDR1-UP						
	2469101		P-UB-10	3	5	CTC-4153244	170.82
RIPPER LH							
	LBL1-UP; YDR1-UP						
	2860813		P-UB-10	2-1/4	4-1/2	CTC-3110662	110.21
RIPPER RH							
	LBL1-UP; YDR1-UP						
	2860812		P-UB-10	2-1/4	4-1/2	CTC-3110662	110.21
TILT							
	LBL1-UP; YDR1-UP						
	2940510		P-UB-10	95 mm	150 mm	CTC-3925198	327.82
MODEL 973C							
BUCKET							
	9J1822		P-UB-10	2	5	CTC-7X2788	189.80
RIPPER							
	4T7606		P-UB-10	2-1/2	5	CTC-7X2658	269.30
TILT							
	3G5949		P-UB-10	3-1/4	5-1/2	CTC-7X2712	148.21
Dump Trucks - Articulated							
APPLICATION	CYL #	Misc-Parts, Instructions, etc.	CODE	ROD	BORE	KIT #	List \$
MODEL 725							
HOIST							
	AFX1-; B1L1-						
	2414071		P-UB-10	3	4-1/2	CTC-2414071K	180.99
	B1L1-; WWA1-						
	2854031		P-UB-10	3	4-1/2	CTC-2854031K	195.59
STEERING LH							
	AFX1-329						
	1915337		P-UB-10	2	3-1/2	CTC-1857674	164.74
	AFX330-359						
	2095024		P-UB-10	2	3-1/2	CTC-2281778	124.32
	AFX360-418						
	2110604		P-UB-10	2	3-1/2	CTC-2281778	124.32
	AFX419-472						
	2126258		P-UB-10	2	3-1/2	CTC-2281778	124.32
	AFX473-						
	2153024		P-UB-10	2	3-1/2	CTC-2281778	124.32
	AFX473-; B1L1-2127						
	2733267		P-UB-10	2	3-1/2	CTC-2281778	124.32
	B1L2128-2332; WWA1-						
	3316042		P-UB-10	2	3-1/2	CTC-2281778	124.32

REPLACEMENT KITS FOR CATERPILLAR® EQUIPMENT

Dump Trucks - Articulated							
APPLICATION	CYL #	Misc-Parts, Instructions, etc.	CODE	ROD	BORE	KIT #	List \$
MODEL 725							
STEERING LH							
B1L2333-; WWA1-							
	3498518		P-UB-10	2	3-1/2	CTC-2281778	124.32
STEERING RH							
AFX1-329							
	1915336		P-UB-10	2	3-1/2	CTC-1857674	164.74
AFX330-359							
	2095023		P-UB-10	2	3-1/2	CTC-2281778	124.32
AFX360-418							
	2110603		P-UB-10	2	3-1/2	CTC-2281778	124.32
AFX419-472							
	2126257		P-UB-10	2	3-1/2	CTC-2281778	124.32
AFX473-							
	2153023		P-UB-10	2	3-1/2	CTC-2281778	124.32
AFX473-; B1L1-2127							
	2733266		P-UB-10	2	3-1/2	CTC-2281778	124.32
B1L2128-2332; WWA1-							
	3316041		P-UB-10	2	3-1/2	CTC-2281778	124.32
B1L2333-; WWA1-							
	3498517		P-UB-10	2	3-1/2	CTC-2281778	124.32
SUSPENSION							
AFX1001-; B1L1-2664; WWA1-							
	2004300		P-UB-10	4-1/2	150 mm	CTC-4160092	263.81
AFX1-1000							
	1468928		P-UB-10	4-1/2	150 mm	CTC-4160092	263.81
SUSPENSION FRONT							
AFX1001-; B1L2665-							
	3414122		P-UB-10	4-1/2	150 mm	CTC-4160092	263.81
TAILGATE							
AFX1-856							
	1512611		P-UB-10	2	3	CTC-1857667	135.46
MODEL 730							
HOIST							
AGF1-; B1M1-							
	2414062		P-UB-10	3	5	CTC-2414062K	204.79
B1M1-; WWB1-							
	2854032		P-UB-10	3	5	CTC-2854032K	228.99
STEERING LH							
AGF1-371							
	1915337		P-UB-10	2	3-1/2	CTC-1857674	164.74
AGF372-407							
	2095024		P-UB-10	2	3-1/2	CTC-1857674	164.74
AGF408-442							
	2110604		P-UB-10	2	3-1/2	CTC-1857674	164.74
AGF443-475							
	2126258		P-UB-10	2	3-1/2	CTC-2281778	124.32
AGF476-							
	2153024		P-UB-10	2	3-1/2	CTC-2281778	124.32
AGF476-; B1M1-2342; B1W1-349							
	2733267		P-UB-10	2	3-1/2	CTC-2281778	124.32
B1M2343-2713; B1W350-366; WWB1-							
	3316042		P-UB-10	2	3-1/2	CTC-2281778	124.32
B1M2714-; B1W367-; WWB1-							
	3498518		P-UB-10	2	3-1/2	CTC-2281778	124.32

REPLACEMENT KITS FOR CATERPILLAR® EQUIPMENT

Dump Trucks - Articulated							
APPLICATION	CYL #	Misc-Parts, Instructions, etc.	CODE	ROD	BORE	KIT #	List \$
MODEL 730							
STEERING RH							
AGF1-371							
1915336			P-UB-10	2	3-1/2	CTC-1857674	164.74
AGF372-407							
2095023			P-UB-10	2	3-1/2	CTC-1857674	164.74
AGF408-442							
2110603			P-UB-10	2	3-1/2	CTC-1857674	164.74
AGF443-475							
2126257			P-UB-10	2	3-1/2	CTC-2281778	124.32
AGF476-							
2153023			P-UB-10	2	3-1/2	CTC-2281778	124.32
AGF476-; B1M1-2342; B1W1-349							
2733266			P-UB-10	2	3-1/2	CTC-2281778	124.32
B1M2343-2713; B1W350-366; WWB1-							
3316041			P-UB-10	2	3-1/2	CTC-2281778	124.32
B1M2714-; B1W367-; WWB1-							
3498517			P-UB-10	2	3-1/2	CTC-2281778	124.32
SUSPENSION							
AGF1-933							
1468928			P-UB-10	4-1/2	150 mm	CTC-4160092	263.81
AGF934-; B1M1-; B1W1-; WWB1-							
2004300			P-UB-10	4-1/2	150 mm	CTC-4160092	263.81
SUSPENSION FRONT							
AGF934-; B1M1-; B1W407-							
3414122			P-UB-10	4-1/2	150 mm	CTC-4160092	263.81
TAIL GATE							
B1W1-							
2037847	HEAD 1662843		P-U-10	45 mm	75 mm	CTC-4398573	74.80
TAILGATE							
AGF1-796							
1512611			P-UB-10	2	3	CTC-1857667	135.46
MODEL 740							
HOIST							
AXM1-; B1P1-156							
1416667			P-UB-10	3-1/2	5-1/2	CTC-4160066	255.51
B1P157-							
2414068			P-UB-10	3-1/2	5-1/2	CTC-4160066	255.51
B1P157-; WWD1-							
2854034			P-UB-10	3-1/2	5-1/2	CTC-2854034K	255.51
STEERING							
AXM823-; AZZ292-; B1P1-; B1R1-; WWD1-							
2231335			P-UB-10	55 mm	4-1/2	CTC-2179894	195.31
STEERING LH							
AXM1-822; AZZ1-291							
2153026			P-UB-10	55 mm	4-1/2	CTC-2179894	195.31
STEERING RH							
AXM369-822; AZZ264-291							
2153025			P-UB-10	55 mm	4-1/2	CTC-2179894	195.31
SUSPENSION							
AXM1-1182; AZZ1-327							
1468928			P-UB-10	4-1/2	150 mm	CTC-4160092	263.81
SUSPENSION FRONT							
AXM1183-; AZZ328-; B1P1-; B1R1-; WWD1-							
2282758			P-UB-10	4-1/2	150 mm	CTC-4160092	263.81
B1P1-; B1R1-							
3414124			P-UB-10	4-1/2	150 mm	CTC-4160092	263.81

REPLACEMENT KITS FOR CATERPILLAR® EQUIPMENT

Dump Trucks - Articulated							
APPLICATION	CYL #	Misc-Parts, Instructions, etc.	CODE	ROD	BORE	KIT #	List \$
MODEL 740							
TAILGATE							
AXM1-967							
	1512611		P-UB-10	2	3	CTC-1857667	135.46
AZZ1-; B1R1-							
	1677329		P-UB-10	2	3	CTC-2384462	71.73
MODEL D25D							
STEERING							
	1433299		I-UB-10	2	4-1/2	CTC-1857699	344.33
	1453620		P-UB-10	2	4-1/2	CTC-1857700	155.40
	7U2910		I-U-5	2	4-1/2	CTC-6U9552	357.00
SUSPENSION							
	1049660		P-UB-10	3-1/2	4-1/2	CTC-1942756	528.87
SUSPENSION REAR							
	7U9538		I-UB-10	2	4-1/2	CTC-7U9545	494.30
UNSPECIFIED APPLICATION							
	1511179		P-UB-10	3-1/2	4-1/2	CTC-1944399	391.10
	5U7777		I-U-3	3-1/2	5-1/2	CTC-5U7775	514.89
MODEL D30D							
STEERING							
	1433299		I-UB-5	2	4-1/2	CTC-1721689	292.61
	1453620		P-UB-10	2	4-1/2	CTC-1721690	77.76
	7U2910		I-U-5	2	4-1/2	CTC-6U9552	357.00
SUSPENSION							
	1049660		P-UB-4	3-1/2	4-1/2	CTC-1417975	255.82
	2U9448		I-U-10	4	4-1/2	CTC-1045008	445.35
SUSPENSION REAR							
	7U9538		I-UB-10	2	4-1/2	CTC-7U9545	494.30
UNSPECIFIED APPLICATION							
	5U7777		I-U-3	3-1/2	5-1/2	CTC-5U7775	514.89
	7U9508		I-U-10	4	4-1/2	CTC-1045008	445.35
MODEL D35HP							
HOIST							
	5U7777		I-U-3	3-1/2	5-1/2	CTC-5U7775	514.89
STEERING							
	6U1040		I-U-5	2	4-1/2	CTC-6U9552	357.00
MODEL D35HPC							
STEERING							
	7U2910		I-U-5	2	4-1/2	CTC-6U9552	357.00
UNSPECIFIED APPLICATION							
	5U7777		I-U-3	3-1/2	5-1/2	CTC-5U7775	514.89
	6U4161		I-U-10	4	4-1/2	CTC-1045008	445.35
	7U2910		I-U-5	2	4-1/2	CTC-6U9552	357.00
MODEL D250D							
HOIST							
	1478507		P-UB-10	2-3/4	4	CTC-1944397	264.58
	7U6405		I-U-10	2-3/4	4	CTC-7U8075	310.66
SUSPENSION							
	7U7230		P-UB-10	4	4-1/2	CTC-1944396	390.31
UNSPECIFIED APPLICATION							
	1340006		P-UB-10	4	4-1/2	CTC-1944396	390.31
	1512611		P-UB-10	2	3	CTC-1857667	135.46
MODEL D250E							
HOIST							
	1218785		I-U-10	2-3/4	4	CTC-1915027	187.85
	1256187		P-UB-10	3	4	CTC-1315423	305.51
	1478507		P-UB-10	2-3/4	4	CTC-1944397	264.58

REPLACEMENT KITS FOR CATERPILLAR® EQUIPMENT

Dump Trucks - Articulated							
APPLICATION	CYL #	Misc-Parts, Instructions, etc.	CODE	ROD	BORE	KIT #	List \$
MODEL D250E							
STEERING							
	1185432		N-UB-10	2	4	CTC-1857687	229.22
	1466651		N-UB-10	2	4	CTC-1857687	229.22
SUSPENSION							
	1185432		N-UB-10	2	4	CTC-1857687	229.22
UNSPECIFIED APPLICATION							
	1340006		P-UB-10	4	4-1/2	CTC-1944396	390.31
	1447657		P-UB-10	4	4-1/2	CTC-1944396	390.31
	1512611		P-UB-10	2	3	CTC-1857667	135.46
	7U7230		P-UB-10	4	4-1/2	CTC-1944396	390.31
MODEL D300B AG, D300B CANE H							
STEERING							
	5U9000		I-U-5	2	4-1/2	CTC-6U9552	357.00
MODEL D350D							
HOIST							
	1434850		P-UB-10	3-1/2	5-1/2	CTC-1721691	274.99
STEERING							
	1433299		I-UB-5	2	4-1/2	CTC-1721689	292.61
	1453620		P-UB-10	2	4-1/2	CTC-1721690	77.76
SUSPENSION							
	1049660		P-UB-4	3-1/2	4-1/2	CTC-1417975	255.82
SUSPENSION REAR							
	7U9538		I-UB-5	2	4-1/2	CTC-1721689	292.61
MODEL D350D, D350E							
STEERING							
	7U2910		I-U-5	2	4-1/2	CTC-6U9552	357.00
SUSPENSION							
	2U8060		I-U-10	4	4-1/2	CTC-1045008	445.35
	7U7198		I-U-10	4	4-1/2	CTC-1045008	445.35
SUSPENSION REAR							
	7U9538		I-UB-10	2	4-1/2	CTC-7U9545	494.30
UNSPECIFIED APPLICATION							
	5U7773		I-U-3	3-1/2	5-1/2	CTC-5U7775	514.89
	7U2476		I-U-10	4	4-1/2	CTC-7U2486	477.00
MODEL D350E							
HOIST							
	1434850		P-UB-10	3-1/2	5-1/2	CTC-1721691	274.99
STEERING							
	1433299		I-UB-5	2	4-1/2	CTC-1721689	292.61
	1453620		P-UB-10	2	4-1/2	CTC-1721690	77.76
SUSPENSION							
	1049660		P-UB-4	3-1/2	4-1/2	CTC-1417975	255.82
SUSPENSION REAR							
	7U9538		I-UB-5	2	4-1/2	CTC-1721689	292.61
MODEL D400							
HOIST							
	1434850		P-UB-10	3-1/2	5-1/2	CTC-1721691	274.99
	5U7773		I-U-3	3-1/2	5-1/2	CTC-5U7775	514.89
STEERING							
	6U1040		I-U-5	2	4-1/2	CTC-6U9552	357.00
	7U2910		I-U-5	2	4-1/2	CTC-6U9552	357.00
MODEL D400D							
STEERING							
	7U2910		I-U-5	2	4-1/2	CTC-6U9552	357.00

REPLACEMENT KITS FOR CATERPILLAR® EQUIPMENT

Dump Trucks - Articulated							
APPLICATION	CYL #	Misc-Parts, Instructions, etc.	CODE	ROD	BORE	KIT #	List \$
MODEL D400D							
SUSPENSION							
	1049660		P-UB-10	3-1/2	4-1/2	CTC-1942756	528.87
	2U8060		I-U-10	4	4-1/2	CTC-1045008	445.35
	7U7198		I-U-10	4	4-1/2	CTC-1045008	445.35
SUSPENSION REAR							
	7U9538		I-UB-10	2	4-1/2	CTC-7U9545	494.30
MODEL D400E							
HOIST							
	1416667		P-UB-10	3-1/2	5-1/2	CTC-4160066	255.51
	1434850		P-UB-10	3-1/2	5-1/2	CTC-1890263	393.39
STEERING							
	1433299		I-UB-10	2	4-1/2	CTC-1857699	344.33
	1453620		P-UB-10	2	4-1/2	CTC-1857700	155.40
	7U2910		I-U-5	2	4-1/2	CTC-6U9552	357.00
SUSPENSION							
	1049660		P-UB-10	3-1/2	4-1/2	CTC-1942756	528.87
	2U8060		I-U-10	4	4-1/2	CTC-1045008	445.35
	7U7198		I-U-10	4	4-1/2	CTC-1045008	445.35
SUSPENSION REAR							
	7U9538		I-UB-10	2	4-1/2	CTC-1857699	344.33
UNSPECIFIED APPLICATION							
	1331584		P-UB-10	4	4-1/2	CTC-1944398	367.26
	1511179		P-UB-10	3-1/2	4-1/2	CTC-1944399	391.10
	1512611		P-UB-10	2	3	CTC-1857667	135.46
	5U7773		I-U-3	3-1/2	5-1/2	CTC-5U7775	514.89
	7U2476		I-U-10	4	4-1/2	CTC-7U2486	477.00
Excavators							
APPLICATION	CYL #	Misc-Parts, Instructions, etc.	CODE	ROD	BORE	KIT #	List \$
MODEL 245, 245B							
BOOM							
	1024212		P-UB-14	4-3/4	7	CTC-8T1567	381.41
	3G3524		P-UB-10	4-3/4	7-1/4	CTC-8T1545	462.31
	3G4615		P-UB-10	5	6	CTC-8T1909	536.07
	8J3720		P-UB-14	4-3/4	7	CTC-8T1567	381.41
	9J5379		P-UB-14	4-3/4	7	CTC-8T1567	381.41
	9T9358		P-UB-10	4-3/4	7-1/4	CTC-8T1545	462.31
BOTTOM DUMP							
	1U1659		P-UB-10	3-1/2	7-3/4	CTC-9X2644	314.86
BUCKET							
	1U1646		P-UB-14	4-3/4	7	CTC-8T1565	392.67
	1U1646		P-UB-14	4-3/4	7	CTC-8T1567	381.41
	1U1659		P-UB-10	3-1/2	7-3/4	CTC-9X2644	314.86
	8J8721		P-UB-10	4-3/4	7	CTC-1371946	480.80
	8J8721		P-UB-14	4-3/4	7	CTC-8T1565	392.67
	9J7755		P-UB-10	5-3/4	7	CTC-8C4398	588.59
	9J9398		P-UB-10	5-3/4	7	CTC-8C4398	588.59
COUNTERWEIGHT							
	8J6167		P-UB-10	2-1/2	5	CTC-7X2658	269.30
LIFT							
	8J6167		P-UB-10	2-1/2	5	CTC-1315118	272.48
	8J6167		P-UB-10	2-1/2	5	CTC-7X2658	269.30

REPLACEMENT KITS FOR CATERPILLAR® EQUIPMENT

Excavators							
APPLICATION	CYL #	Misc-Parts, Instructions, etc.	CODE	ROD	BORE	KIT #	List \$
MODEL 245, 245B							
STICK							
	1011908		P-UB-10	5-3/4	8-1/4	CTC-3E8880	968.99
	3G2778		P-UB-10	5-3/4	8-1/4	CTC-3E8880	968.99
	3G2778		P-UB-10	5-3/4	8-1/4	CTC-8T1558	979.98
	6E5093		P-UB-10	5-3/4	8-1/4	CTC-3E8880	968.99
	9T1388		P-UB-10	5-3/4	8-1/4	CTC-3E8880	968.99
	9T1388		P-UB-10	5-3/4	8-1/4	CTC-8T1558	979.98
	9T9356		P-UB-10	5-3/4	8-1/4	CTC-3E8880	968.99
TRACK ADJUSTER							
			TRK ADJ			CTC-FIG0405	173.86
MODEL 302.5							
BLADE							
	4AZ1-4947						
	1662835		P-U-10	45 mm	75 mm	CTC-2697190	79.31
	4AZ4948-UP						
	2126335		P-U-10	45 mm	75 mm	CTC-2697190	79.31
BOOM							
	4AZ1-329						
	1509211		P-U-10	45 mm	75 mm	CTC-1509211K	85.11
	4AZ330-4822						
	1794969		P-U-10	45 mm	75 mm	CTC-4288641	85.11
	4AZ4823-UP						
	2126337		P-U-10	45 mm	75 mm	CTC-4288641	85.11
BUCKET							
	4AZ1-4828						
	1513187		P-U-10	35 mm	65 mm	CTC-2698599	82.44
	4AZ1-UP						
	2269959		P-U-10	35 mm	65 mm	CTC-2698599	82.44
	4AZ4829-5653						
	2126328		P-U-10	35 mm	65 mm	CTC-2126328K	82.44
BUCKET TILT							
	4AZ1-UP						
	2443074		P-U-10	30 mm	60 mm	CTC-1608546	82.27
STICK							
	4AZ1-4828						
	1512460		P-U-10	40 mm	70 mm	CTC-4288674	71.68
	4AZ1-UP						
	2374079		P-U-10	40 mm	70 mm	CTC-2702668	69.94
	4AZ4829-5653						
	2126329		P-U-10	40 mm	70 mm	CTC-2126329K	69.94
	2373542		P-U-10	40 mm	70 mm	CTC-2702668	69.94
SWING BOOM							
	4AZ1-4822						
	1511266		P-U-10	45 mm	75 mm	CTC-4288651	91.18
	1724223		P-U-10	45 mm	75 mm	CTC-1724223K	80.46
	4AZ4823-UP						
	2126336		P-U-10	45 mm	75 mm	CTC-2697190	79.31
MODEL 302.5C							
BOOM							
	GBB1-UP						
	2126337		P-U-10	45 mm	75 mm	CTC-4288641	85.11
BUCKET							
	GBB1-UP						
	2269959		P-U-10	35 mm	65 mm	CTC-2698599	82.44

REPLACEMENT KITS FOR CATERPILLAR® EQUIPMENT

Excavators							
APPLICATION	CYL #	Misc-Parts, Instructions, etc.	CODE	ROD	BORE	KIT #	List \$
MODEL 302.5C							
LIFT							
	GBB1-UP						
	2309267		P-U-10	45 mm	85 mm	CTC-2309267K	128.45
STICK							
	GBB1-UP						
	2374079		P-U-10	40 mm	70 mm	CTC-2702668	69.94
SWING BOOM							
	GBB1-1897						
	2126336		P-U-10	45 mm	75 mm	CTC-2697190	79.31
	GBB1898-UP						
	2935360		P-U-10	45 mm	75 mm	CTC-2697190	79.31
MODEL 303 C CR							
BLADE ANGLE							
	BXT1-UP						
			P-U-10	35 mm	65 mm	CTC-2839122	68.53
			Bushing	35 mm		CTC-2032343	13.20
BLADE RAISE LOWER							
	BXT1-UP						
	2666979		P-U-10	45 mm	80 mm	CTC-2788641	117.53
	2666979		Bushing	45 mm		CTC-2378377	24.93
BOOM							
	BXT1-UP						
	2737033		P-U-10	45 mm	80 mm	CTC-2788641	117.53
	2737033		Bushing	45 mm		CTC-2378377	24.93
	2840420		P-U-10	45 mm	80 mm	CTC-2788641	117.53
	2840420		Bushing	45 mm		CTC-2378377	24.93
	2855034		P-U-10	50 mm	85 mm	CTC-2790639	138.28
BUCKET							
	BXT1-UP						
	2666973		P-U-10	40 mm	70 mm	CTC-2519845	112.69
	2778672		P-U-10	40 mm	70 mm	CTC-2519845	112.69
STICK							
	BXT1-UP						
	2840863		P-U-10	45 mm	80 mm	CTC-2797940	125.43
	2840863		Bushing	45 mm		CTC-2378377	24.93
TILTABLE BUCKET							
	BXT1-UP						
	2460192		P-UB-10	1-1/2	3	CTC-2350354	54.98
MODEL 303.5							
BLADE							
	AFW1-UP; DCH1-UP						
	1636935		P-U-10	50 mm	90 mm	CTC-2765739	189.25
BOOM							
	AFW1-UP						
	1637006		P-U-10	45 mm	80 mm	CTC-1637006K	169.49
BUCKET							
	AFW1-UP; DCH1-UP						
	1637008		P-U-10	40 mm	70 mm	CTC-2723225	230.27
STICK							
	AFW1-UP; DCH1-UP						
	1636936		P-U-10	45 mm	75 mm	CTC-2725225	244.08
SWING BOOM							
	AFW1-UP; DCH1-UP						
	1637007		P-U-10	45 mm	80 mm	CTC-2765938	165.75

REPLACEMENT KITS FOR CATERPILLAR® EQUIPMENT

Excavators							
APPLICATION	CYL #	Misc-Parts, Instructions, etc.	CODE	ROD	BORE	KIT #	List \$
MODEL 303.5C CR							
BLADE ANGLE							
DMY1-UP							
2866384			P-U-10	35 mm	65 mm	CTC-2839122	68.53
2866384			Bushing	35 mm		CTC-2032343	13.20
BLADE RAISE LOWER							
DMY1-UP							
2666979			P-U-10	45 mm	80 mm	CTC-2788641	117.53
2666979			Bushing	45 mm		CTC-2378377	24.93
2666979			Link Pin Seal			CTC-1920638	12.53
2666979			Link Pin Seal			CTC-1920638	12.53
BOOM							
DMY1-UP							
2737030			P-U-10	50 mm	85 mm	CTC-2812321	121.42
2843369			P-U-10	50 mm	85 mm	CTC-2812321	121.42
2843369			Link Pin Seal			CTC-1920638	12.53
2843369			Link Pin Seal			CTC-1920638	12.53
BUCKET							
DMY1-UP							
2460192			P-UB-10	1-1/2	3	CTC-2350354	54.98
2666971			P-U-10	45 mm	75 mm	CTC-2812322	111.79
2666971			Bushing	45 mm		CTC-2378377	24.93
2666971			Link Pin Seal			CTC-1920638	12.53
2666971			Link Pin Seal			CTC-1920638	12.53
2779900			P-U-10	45 mm	75 mm	CTC-2812322	111.79
2779900			Bushing	45 mm		CTC-2378377	24.93
2779900			Link Pin Seal			CTC-1920638	12.53
2779900			Link Pin Seal			CTC-1920638	12.53
STICK							
DMY1-UP							
2840883			P-U-10	50 mm	80 mm	CTC-2812323	120.99
2840883			Link Pin Seal			CTC-1920638	12.53
2840883			Link Pin Seal			CTC-1920638	12.53
SWING BOOM							
DMY1-UP							
2843909			P-U-10	50 mm	85 mm	CTC-2790639	138.28
2843909			Link Pin Seal			CTC-1920638	12.53
2843909			Link Pin Seal			CTC-1920638	12.53
MODEL 303CR							
BLADE							
DMA1-UP							
1937859			P-U-10	45 mm	85 mm	CTC-2765210	116.07
BOOM							
DMA1-UP							
1987021			P-U-10	50 mm	80 mm	CTC-2765302	181.70
BUCKET							
DMA1-UP							
2037172			P-U-10	40 mm	65 mm	CTC-2714484	71.23
2190541			P-U-10	40 mm	65 mm	CTC-2190541K	72.84
2390837			P-U-10	40 mm	65 mm	CTC-2714484	71.23
STICK							
DMA1-UP							
1937852			P-U-10	45 mm	75 mm	CTC-2712173	114.10
2763879			P-U-10	45 mm	75 mm	CTC-2763879K	116.67
SWING BOOM							
DMA1-UP							
1937855			P-U-10	45 mm	80 mm	CTC-2765284	98.99

REPLACEMENT KITS FOR CATERPILLAR® EQUIPMENT

Excavators							
APPLICATION	CYL #	Misc-Parts, Instructions, etc.	CODE	ROD	BORE	KIT #	List \$
MODEL 303CR							
TILT							
	DMA1-UP						
	2460192		P-UB-10	1-1/2	3	CTC-2350354	54.98
MODEL 304 C CR							
BLADE ANGLE							
	FPK1-UP						
	2704714		P-U-10	35 mm	65 mm	CTC-2839122	68.53
	2704714		Bushing	35 mm		CTC-2032343	13.20
BLADE RAISE LOWER							
	FPK1-UP						
	2937158		P-U-10	55 mm	90 mm	CTC-4308918	194.16
BOOM							
	FPK1-UP						
	2666975		P-U-10	55 mm	90 mm	CTC-4308918	194.16
	2709475		P-UB-14	55 mm	95 mm	CTC-2773395	155.08
	2828548		P-UB-14	55 mm	95 mm	CTC-2773395	155.08
BUCKET							
	FPK1-UP						
	2666969		P-UB-14	45 mm	75 mm	CTC-2774167	223.67
STICK							
	FPK1-UP						
	2828550		P-UB-14	50 mm	85 mm	CTC-2774140	130.77
TILTABLE BUCKET							
	FPK1-UP						
	2460192		P-UB-10	1-1/2	3	CTC-2350354	54.98
MODEL 304.5							
BLADE							
	ANR1-UP; WAK1-UP						
	1636973		P-U-10	50 mm	100 mm	CTC-1934324	203.77
BOOM							
	ANR1-UP; WAK1-UP						
	1636970		P-U-10	50 mm	85 mm	CTC-1934321	215.67
BUCKET							
	ANR1-UP; WAK1-UP						
	1636972		P-U-10	45 mm	75 mm	CTC-1934323	116.61
STICK							
	ANR1-UP; WAK1-UP						
	1708945		P-U-10	50 mm	80 mm	CTC-1934325	185.74
SWING BOOM							
	ANR1-UP; WAK1-UP						
	1636971		P-U-10	50 mm	90 mm	CTC-1934322	142.51
MODEL 304CR							
BLADE							
	NAD1-UP						
	2153747		P-U-10	55 mm	100 mm	CTC-2167247	215.49
BLADE ANGLE							
	NAD1-UP						
	2704714		P-U-10	35 mm	65 mm	CTC-2839122	68.53
	2704714		Bushing	35 mm		CTC-2032343	13.20
BOOM							
	NAD1-UP						
	2099617		P-U-10	50 mm	85 mm	CTC-2167644	140.65
	2160991		P-U-10	55 mm	95 mm	CTC-2199066	257.14
BUCKET							
	NAD1-UP						
	2180511		P-U-10	45 mm	70 mm	CTC-2168100	303.88
	2397706		P-U-10	45 mm	70 mm	CTC-2168100	303.88

REPLACEMENT KITS FOR CATERPILLAR® EQUIPMENT

Excavators							
APPLICATION	CYL #	Misc-Parts, Instructions, etc.	CODE	ROD	BORE	KIT #	List \$
MODEL 304CR							
BUCKET							
STICK							
NAD1-UP							
	2081152		P-U-10	55 mm	85 mm	CTC-2171643	228.06
MODEL 305 C CR							
BLADE							
HWJ1-834							
	2666977		P-U-10	55 mm	90 mm	CTC-4308918	194.16
	2666977		Bushing	55 mm		CTC-2725664	27.17
HWJ1-UP							
	2937158		P-U-10	55 mm	90 mm	CTC-4308918	194.16
	2937158		Bushing	55 mm		CTC-2725664	27.17
BLADE ANGLE							
HWJ1-UP							
	2704714		P-U-10	35 mm	65 mm	CTC-2839122	68.53
	2704714		Bushing	35 mm		CTC-2032343	13.20
BOOM							
HWJ1-UP							
	2666975		P-U-10	55 mm	90 mm	CTC-4308918	194.16
	2666975		Bushing	55 mm		CTC-2725664	27.17
	2737025		P-U-10	55 mm	100 mm	CTC-2737025K	175.82
	2737025		Bushing	55 mm		CTC-2725641	20.30
	2821535		P-U-10	55 mm	100 mm	CTC-4307589	146.65
	2821535		Bushing	55 mm		CTC-2725641	20.30
BUCKET							
HWJ1-UP							
	2666967		P-U-10	50 mm	80 mm	CTC-4308744	136.24
	2666967		Bushing	50 mm		CTC-2218270	23.00
STICK							
HWJ1-UP							
	2821537		P-U-10	55 mm	90 mm	CTC-4308918	194.16
	2821537		Bushing	55 mm		CTC-2725664	27.17
TILTABLE BUCKET							
HWJ1-UP							
	2460192		P-UB-10	1-1/2	3	CTC-2350354	54.98
MODEL 305CR							
BLADE							
DGT1-UP; DSA244-UP							
	2153747		P-U-10	55 mm	100 mm	CTC-2167247	215.49
DSA1-243							
	1911962		P-U-10	55 mm	100 mm	CTC-1992402	142.28
BLADE ANGLE							
DGT1-UP							
	2704714		P-U-10	35 mm	65 mm	CTC-2839122	68.53
	2704714		Bushing	35 mm		CTC-2032343	13.20
BOOM							
DGT1-UP; DSA1-UP							
	1911958		P-U-10	55 mm	100 mm	CTC-1989433	139.82
BUCKET							
DGT1-UP; DSA1-UP							
	2152232		P-U-10	45 mm	75 mm	CTC-1991149	111.84
STICK							
DGT1-UP; DSA1-UP							
	1911959		P-U-10	55 mm	85 mm	CTC-1990609	132.69

REPLACEMENT KITS FOR CATERPILLAR® EQUIPMENT

Excavators							
APPLICATION	CYL #	Misc-Parts, Instructions, etc.	CODE	ROD	BORE	KIT #	List \$
MODEL 305CR							
SWING BOOM							
	DGT1-UP; DSA1-UP						
	1911961		P-U-10	50 mm	90 mm	CTC-1992097	154.36
MODEL 307							
BLADE LH							
	1076377		P-UB-15	50 mm	90 mm	CTC-0933045	411.90
	1148378		P-UB-15	50 mm	90 mm	CTC-0933045	411.90
BLADE RH							
	1076472		P-UB-15	50 mm	90 mm	CTC-0933045	411.90
	1148377		P-UB-15	50 mm	90 mm	CTC-0933045	411.90
BOOM							
	1038195		P-UB-14	75 mm	110 mm	CTC-1057255	435.34
	1057468		P-UB-14	55 mm	100 mm	CTC-1057480	337.98
	1239937		P-UB-14	55 mm	100 mm	CTC-1057480	337.98
BUCKET							
	1057238		P-UB-14	55 mm	80 mm	CTC-1057253	295.50
OFFSET							
	1057468		P-UB-14	55 mm	100 mm	CTC-1057480	337.98
	1239937		P-UB-14	55 mm	100 mm	CTC-1057480	337.98
STICK							
	1038320		P-UB-14	60 mm	90 mm	CTC-1038333	396.48
	1057437		P-UB-14	60 mm	90 mm	CTC-1038333	396.48
	1251494		P-UB-14	60 mm	90 mm	CTC-1038333	396.48
MODEL 307B							
BLADE							
	1231627		P-UB-10	80 mm	120 mm	CTC-1697835	345.93
	1624835		P-UB-10	80 mm	120 mm	CTC-1697835	345.93
BOOM							
	1336759		P-UB-14	75 mm	110 mm	CTC-1697826	212.93
	1437980		P-UB-14	75 mm	110 mm	CTC-1697826	212.93
	1505901		P-UB-14	55 mm	100 mm	CTC-1697829	228.46
BUCKET							
	1057238		P-UB-14	55 mm	80 mm	CTC-1057253	295.50
	1336765		P-UB-14	55 mm	80 mm	CTC-1697828	240.01
OFFSET							
	1239937		P-UB-14	55 mm	100 mm	CTC-1057480	337.98
STICK							
	1038320		P-UB-14	60 mm	90 mm	CTC-1038333	396.48
	1475903		P-UB-14	60 mm	90 mm	CTC-1697827	330.72
	1505899		P-UB-14	60 mm	90 mm	CTC-1697827	330.72
SWING							
	1437981		P-UB-10	65 mm	100 mm	CTC-1697830	183.96
MODEL 307C							
BLADE							
			P-UB-10	80 mm	120 mm	CTC-1697835	345.93
	BCM1-UP; BNE1-UP						
	1799671		P-UB-10	80 mm	120 mm	CTC-1697835	345.93
	1799671		Bushing	80 mm		CTC-1140755	50.30
	2358256		P-UB-10	80 mm	120 mm	CTC-1697835	345.93
	2358256		Bushing	80 mm		CTC-1140755	50.30

REPLACEMENT KITS FOR CATERPILLAR® EQUIPMENT

Excavators							
APPLICATION	CYL #	Misc-Parts, Instructions, etc.	CODE	ROD	BORE	KIT #	List \$
MODEL 307C							
BOOM							
BCM1-UP							
1659273			P-UB-14	75 mm	110 mm	CTC-1697826	212.93
1659273			Bushing	75 mm		CTC-1140750	45.86
1935230			P-UB-14	75 mm	110 mm	CTC-1697826	212.93
1935230			Bushing	75 mm		CTC-1140750	45.86
2357905			P-UB-14	75 mm	110 mm	CTC-1697826	212.93
2357905			Bushing	75 mm		CTC-1140750	45.86
2358249			P-UB-14	75 mm	110 mm	CTC-1697826	212.93
2358249			Bushing	75 mm		CTC-1140750	45.86
2358264			P-UB-14	55 mm	100 mm	CTC-1697829	228.46
2358264			Bushing	55 mm		CTC-1140752	27.98
3044904			P-UB-14	75 mm	110 mm	CTC-1697826	212.93
3044904			Bushing	75 mm		CTC-1140750	45.86
3044909			P-UB-14	75 mm	110 mm	CTC-1697826	212.93
3044909			Bushing	75 mm		CTC-1140750	45.86
BNE1-UP							
2357921			P-UB-14	75 mm	110 mm	CTC-1697826	212.93
2357921			Bushing	75 mm		CTC-1140750	45.86
2557799	Variable Adjustable Boom		P-UB-14	55 mm	100 mm	CTC-1697829	228.46
2557799	Variable Adjustable Boom		Bushing	55 mm		CTC-1140752	27.98
2557801	Variable Adjustable Boom		P-UB-14	75 mm	110 mm	CTC-1697826	212.93
2557801	Variable Adjustable Boom		Bushing	75 mm		CTC-1140750	45.86
3044912			P-UB-14	75 mm	110 mm	CTC-1697826	212.93
3044912			Bushing	75 mm		CTC-1140750	45.86
3044913	Variable Adjustable Boom		P-UB-14	75 mm	110 mm	CTC-1697826	212.93
3044913	Variable Adjustable Boom		Bushing	75 mm		CTC-1140750	45.86
3044915	Variable Adjustable Boom		P-UB-14	55 mm	100 mm	CTC-1697829	228.46
3044915	Variable Adjustable Boom		Bushing	55 mm		CTC-1140752	27.98
BUCKET							
BCM1-UP; BNE1-UP							
1659279			P-UB-14	55 mm	80 mm	CTC-1697828	240.01
1659279			Bushing	55 mm		CTC-1140752	27.98
3044908			P-UB-14	55 mm	80 mm	CTC-1697828	240.01
3044908			Bushing	55 mm		CTC-1140752	27.98
CAB RISER							
BCM1-UP; BNE1-UP							
2358287			P-UB-14	60 mm	90 mm	CTC-1697827	330.72
2358287			Bushing	60 mm		CTC-1140751	35.82
OFFSET							
BCM1-UP							
1799711			P-UB-14	55 mm	100 mm	CTC-1697829	228.46
1799711			Bushing	55 mm		CTC-1140752	27.98
3044906			P-UB-14	55 mm	100 mm	CTC-1697829	228.46
3044906			Bushing	55 mm		CTC-1140752	27.98
STICK							
BCM1-UP							
1799708			P-UB-14	60 mm	90 mm	CTC-1697827	330.72
1799708			Bushing	60 mm		CTC-1140751	35.82
2042718			P-UB-14	60 mm	90 mm	CTC-1697827	330.72
2042718			Bushing	60 mm		CTC-1140751	35.82
2358271			P-UB-14	60 mm	90 mm	CTC-1697827	330.72
2358271			Bushing	60 mm		CTC-1140751	35.82
3044907			P-UB-14	60 mm	90 mm	CTC-1697827	330.72
3044907			Bushing	60 mm		CTC-1140751	35.82

REPLACEMENT KITS FOR CATERPILLAR® EQUIPMENT

Excavators							
APPLICATION	CYL #	Misc-Parts, Instructions, etc.	CODE	ROD	BORE	KIT #	List \$
MODEL 307C							
STICK							
BCM1-UP; BNE1-UP							
1659276			P-UB-14	60 mm	90 mm	CTC-1697827	330.72
1659276			Bushing	60 mm		CTC-1140751	35.82
2357913			P-UB-14	60 mm	90 mm	CTC-1697827	330.72
2357913			Bushing	60 mm		CTC-1140751	35.82
3044905			P-UB-14	60 mm	90 mm	CTC-1697827	330.72
3044905			Bushing	60 mm		CTC-1140751	35.82
3044910			P-UB-14	60 mm	90 mm	CTC-1697827	330.72
3044910			Bushing	60 mm		CTC-1140751	35.82
SWING							
BNE1-UP							
1772556			P-UB-14	75 mm	110 mm	CTC-1697826	212.93
1772556			Bushing	75 mm		CTC-1140750	45.86
SWING BOOM							
BNE1-463							
1772474			P-UB-14	60 mm	90 mm	CTC-1697827	330.72
1772474			Bushing	60 mm		CTC-1140751	35.82
BNE1630-UP							
3044911			P-UB-14	60 mm	90 mm	CTC-1697827	330.72
3044911			Bushing	60 mm		CTC-1140751	35.82
BNE464-UP							
2375468			P-UB-14	60 mm	90 mm	CTC-1697827	330.72
2375468			Bushing	60 mm		CTC-1140751	35.82
MODEL 308B							
BLADE							
1231627			P-UB-10	80 mm	120 mm	CTC-1697835	345.93
1624835			P-UB-10	80 mm	120 mm	CTC-1697835	345.93
BUCKET							
1057238			P-UB-14	55 mm	80 mm	CTC-1057253	295.50
STICK							
1038320			P-UB-14	60 mm	90 mm	CTC-1038333	396.48
MODEL 308C CR							
BLADE							
KCX1-UP							
1799671			P-UB-10	80 mm	120 mm	CTC-1697835	345.93
1799671			Bushing	80 mm		CTC-1140755	50.30
2358256			P-UB-10	80 mm	120 mm	CTC-1697835	345.93
2358256			Bushing	80 mm		CTC-1140755	50.30

REPLACEMENT KITS FOR CATERPILLAR® EQUIPMENT

Excavators							
APPLICATION	CYL #	Misc-Parts, Instructions, etc.	CODE	ROD	BORE	KIT #	List \$
MODEL 308C CR							
BOOM							
KCX1-UP							
1799645			P-UB-14	75 mm	110 mm	CTC-1697826	212.93
1799645			Bushing	75 mm		CTC-1140750	45.86
1799651			P-UB-10	55 mm	100 mm	CTC-2003242	225.85
1799655			P-UB-10	75 mm	120 mm	CTC-2003239	133.53
1799655			Bushing	75 mm		CTC-1140750	45.86
1799658			P-UB-10	70 mm	100 mm	CTC-2003240	154.05
1799658			Bushing	70 mm		CTC-1140753	43.69
2159893			P-UB-14	75 mm	110 mm	CTC-1697826	212.93
2159893			Bushing	75 mm		CTC-1140750	45.86
2357834			P-UB-10	55 mm	100 mm	CTC-2003242	225.85
2357845			P-UB-10	75 mm	120 mm	CTC-2003239	133.53
2357845			Bushing	75 mm		CTC-1140750	45.86
2357862			P-UB-10	70 mm	100 mm	CTC-2003240	154.05
2357862			Bushing	70 mm		CTC-1140753	43.69
3044900			P-UB-14	75 mm	110 mm	CTC-3044900K	204.78
3044900			Bushing	75 mm		CTC-1140750	45.86
BUCKET							
KCX1-UP							
1659279			P-UB-14	55 mm	80 mm	CTC-1697828	240.01
3044908			P-UB-14	55 mm	80 mm	CTC-1697828	240.01
STICK							
KCX1-UP							
2042718			P-UB-14	60 mm	90 mm	CTC-1697827	330.72
2042718			Bushing	60 mm		CTC-1140751	35.82
2159896			P-UB-14	60 mm	90 mm	CTC-1697827	330.72
2159896			Bushing	60 mm		CTC-1140751	35.82
3044910			P-UB-14	60 mm	90 mm	CTC-1697827	330.72
3044910			Bushing	60 mm		CTC-1140751	35.82
MODEL 308D CR							
BLADE							
GBT1-							
3033487			P-UB-10	80 mm	120 mm	CTC-1697835	345.93
BOOM							
GBT1-							
2987702			P-UB-10	70 mm	110 mm	CTC-4157472	183.82
BUCKET							
GBT1-							
2987704			P-UB-14	55 mm	85 mm	CTC-2987704K	160.74
COUPLER							
GBT1-							
2569777			I-U-14	50 mm	100 mm	CTC-3265235	254.75
3611139			I-U-15	3/4	1-1/4	CTC-3611131	66.36
STICK							
GBT1-							
2987703			P-UB-14	60 mm	95 mm	CTC-4157469	162.15
THUMB							
GBT1-							
3056716			I-U-10	50 mm	70 mm	CTC-2764172	75.16
3056717			I-U-10	50 mm	70 mm	CTC-2764172	75.16
TRACK ADJUSTER							
GBT1-							
1362462			TRK ADJ			CTC-1362462K	52.46

REPLACEMENT KITS FOR CATERPILLAR® EQUIPMENT

Excavators							
APPLICATION	CYL #	Misc-Parts, Instructions, etc.	CODE	ROD	BORE	KIT #	List \$
MODEL 308D CR SB							
BLADE							
	FYC1-						
	3033487		P-UB-10	80 mm	120 mm	CTC-1697835	345.93
BOOM							
	FYC1-						
	3044915	Variable Adjustable Boom	P-UB-14	55 mm	100 mm	CTC-3747255	228.46
	3197257		P-UB-10	70 mm	110 mm	CTC-4157472	183.82
	3287730		P-UB-14	75 mm	110 mm	CTC-3287730K	183.70
BUCKET							
	FYC1-						
	2987704		P-UB-14	55 mm	85 mm	CTC-2987704K	160.74
	3044908		P-UB-14	55 mm	80 mm	CTC-1697828	240.01
COUPLER							
	FYC1-						
	2569777		I-U-14	50 mm	100 mm	CTC-3265235	254.75
	3611139		I-U-15	3/4	1-1/4	CTC-3611131	66.36
STICK							
	FYC1-						
	2987703		P-UB-14	60 mm	95 mm	CTC-4157469	162.15
	FYC1-1875						
	3044910		P-UB-14	60 mm	90 mm	CTC-1697827	330.72
	3044910		Bushing	60 mm		CTC-1140751	35.82
	FYC1828-						
	3747244		P-UB-14	60 mm	90 mm	CTC-1697827	330.72
	3747244		Bushing	60 mm		CTC-1140751	35.82
SWING BOOM							
	FYC1-						
	3145850		P-UB-14	65 mm	110 mm	CTC-3145850K	174.22
THUMB							
	FYC1-						
	3056716		I-U-10	50 mm	70 mm	CTC-2764172	75.16
	3056717		I-U-10	50 mm	70 mm	CTC-2764172	75.16
TRACK ADJUSTER							
	FYC1-						
	1362462		TRK ADJ			CTC-1362462K	52.46
MODEL 311							
BOOM							
	1251548		P-UB-10	70 mm	100 mm	CTC-616858	438.69
	418841		P-UB-10	70 mm	100 mm	CTC-616858	438.69
BUCKET							
	1251547		P-UB-10	65 mm	100 mm	CTC-418914	326.98
	1346987		P-UB-10	65 mm	100 mm	CTC-1764935	354.00
	418840		P-UB-10	65 mm	100 mm	CTC-418914	326.98
STICK							
	1251549		P-UB-10	75 mm	110 mm	CTC-418913	465.55
	418842		P-UB-10	75 mm	110 mm	CTC-418913	465.55
MODEL 311B							
BLADE LH							
	1298009		P-UB-10	80 mm	120 mm	CTC-1697835	345.93
BLADE RH							
	1298010		P-UB-10	80 mm	120 mm	CTC-1697835	345.93
BOOM							
	1211395		P-UB-10	70 mm	100 mm	CTC-1211405	437.19
BUCKET							
	1195447		P-UB-10	65 mm	100 mm	CTC-1195457	336.61
	1438158		P-UB-10	65 mm	100 mm	CTC-1697839	350.42

REPLACEMENT KITS FOR CATERPILLAR® EQUIPMENT

Excavators							
APPLICATION	CYL #	Misc-Parts, Instructions, etc.	CODE	ROD	BORE	KIT #	List \$
MODEL 311B							
STICK							
	1211406		P-UB-10	75 mm	110 mm	CTC-1195435	472.67
	1438160		P-UB-10	75 mm	110 mm	CTC-1697837	415.54
MODEL 311C U							
BLADE LH							
	CKE1-UP; PAD1-UP						
	1709809		P-UB-10	80 mm	120 mm	CTC-1709946	457.03
BLADE RH							
	CKE1-UP; PAD1-UP						
	1709810		P-UB-10	80 mm	120 mm	CTC-1709946	457.03
BOOM							
	CKE1-UP; PAD1-UP						
	1709806			70 mm	100 mm	CTC-1709929	497.32
BUCKET							
	CKE1-UP						
	1709809		P-UB-10	65 mm	100 mm	CTC-1709941	207.55
	2959396		P-UB-10	65 mm	100 mm	CTC-1709941	207.55
	CKE1-UP; PAD1-UP						
	2487855		P-UB-10	65 mm	100 mm	CTC-1709941	207.55
	2836118		P-UB-10	65 mm	100 mm	CTC-1709941	207.55
COUPLER							
	CKE1-UP						
	1847487	Quick Coupler	I-U-10	1-3/4	63 mm	CTC-1728486	106.61
	2734147		I-U-10	1-3/4	63 mm	CTC-3265237	106.61
STICK							
	CKE1-UP; PAD1-UP						
	1709807		P-UB-10	75 mm	110 mm	CTC-1709937	249.22
MODEL 312							
BOOM							
	1148519		P-UB-10	75 mm	110 mm	CTC-1148526	383.63
	1251545		P-UB-10	75 mm	110 mm	CTC-418913	465.55
	418838		P-UB-10	75 mm	110 mm	CTC-418913	465.55
BUCKET							
	1195447		P-UB-10	65 mm	100 mm	CTC-1195457	336.61
	1251547		P-UB-10	65 mm	100 mm	CTC-418914	326.98
	1346987		P-UB-10	65 mm	100 mm	CTC-1764935	354.00
	418840		P-UB-10	65 mm	100 mm	CTC-418914	326.98
OFFSET							
	1239906		P-UB-10	70 mm	130 mm	CTC-1697843	402.56
STICK							
	1211406		P-UB-10	75 mm	110 mm	CTC-1195435	472.67
	1239943		P-UB-10	80 mm	120 mm	CTC-1148290	324.64
	1251546		P-UB-10	80 mm	120 mm	CTC-513047	391.72
	1251940		P-UB-10	80 mm	120 mm	CTC-1148290	324.64
	418839		P-UB-10	80 mm	120 mm	CTC-513047	391.72
MODEL 312B, 312BL							
BLADE LH							
	1298009		P-UB-10	80 mm	120 mm	CTC-1697835	345.93
BLADE RH							
	1298010		P-UB-10	80 mm	120 mm	CTC-1697835	345.93
BOOM							
	1195425		P-UB-10	75 mm	110 mm	CTC-1195435	472.67
	1438156		P-UB-10	75 mm	110 mm	CTC-1697837	415.54
BUCKET							
	1195447		P-UB-10	65 mm	100 mm	CTC-1195457	336.61
	1438158		P-UB-10	65 mm	100 mm	CTC-1697839	350.42

REPLACEMENT KITS FOR CATERPILLAR® EQUIPMENT

Excavators							
APPLICATION	CYL #	Misc-Parts, Instructions, etc.	CODE	ROD	BORE	KIT #	List \$
MODEL 312B, 312BL							
STICK							
	1195436		P-UB-10	80 mm	120 mm	CTC-1195446	431.21
	1438157		P-UB-10	80 mm	120 mm	CTC-1697838	434.08
MODEL 312C, 312CL							
BOOM							
			P-UB-10	75 mm	110 mm	CTC-1709937	249.22
			Bushing	75 mm		CTC-1140750	45.86
BUCKET							
			P-UB-10	65 mm	100 mm	CTC-1709941	207.55
			Bushing	65 mm		CTC-1140754	38.00
STICK							
			P-UB-10	80 mm	120 mm	CTC-1709999	308.05
			Bushing	80 mm		CTC-1140755	50.30
MODEL 312E							
BLADE LH							
GAC1-; MJD1-; PZL1-; WEY1-							
	3494109		P-UB-10	80 mm	120 mm	CTC-3494122	277.95
	3494109		Bushing	80 mm		CTC-1140755	50.30
	3852886		P-UB-10	80 mm	120 mm	CTC-3937948	408.48
	3852886		Bushing	80 mm		CTC-3852900	46.27
BLADE RH							
GAC1-; MJD1-; PZL1-; WEY1-							
	3494110		P-UB-10	80 mm	120 mm	CTC-3494122	277.95
	3494110		Bushing	80 mm		CTC-1140755	50.30
	3852887		P-UB-10	80 mm	120 mm	CTC-3937948	408.48
	3852887		Bushing	80 mm		CTC-3852900	46.27
BOOM							
GAC1-; MJD1-; PZL1-; WEY1-							
	3582096		P-UB-10	75 mm	110 mm	CTC-3494119	439.00
	3582096		Bushing	75 mm		CTC-1140750	45.86
	3852828		P-UB-14	75 mm	110 mm	CTC-3937887	342.31
	3852828		Bushing	75 mm		CTC-3937931	41.34
PZL1-; WEY1-							
	1847660	Variable Adjustable Boom	P-UB-10	85 mm	140 mm	CTC-3808347	298.58
	1847660	Variable Adjustable Boom	Bushing	85 mm		CTC-1140756	54.86
BUCKET							
GAC1-							
	3746547		P-UB-10	75 mm	110 mm	CTC-3494119	439.00
	3746547		Bushing	75 mm		CTC-1140750	45.86
GAC1-; MJD1-; PZL1-; WEY1-							
	3582108		P-UB-10	70 mm	100 mm	CTC-3494121	297.60
	3582108		Bushing	70 mm		CTC-1140753	43.69
	3687047		P-UB-10	70 mm	100 mm	CTC-3494121	297.60
	3687047		Bushing	70 mm		CTC-1140753	43.69
	3852834		P-UB-14	70 mm	100 mm	CTC-3904227	357.72
	3852834		Bushing	70 mm		CTC-3904158	37.36
COUPLER							
MJD1-; PZL1-; WEY1-							
	3006024		P-U-10,12	1-1/2	2-1/2	CTC-3465584	52.46
PZL1-; WEY1-							
	1690329		I-U-5	40 mm	60 mm	CTC-2027897	66.15

REPLACEMENT KITS FOR CATERPILLAR® EQUIPMENT

Excavators							
APPLICATION	CYL #	Misc-Parts, Instructions, etc.	CODE	ROD	BORE	KIT #	List \$
MODEL 312E							
STICK							
GAC1-; MJD1-; PZL1-; WEY1-							
3582102			P-UB-10	80 mm	120 mm	CTC-3494120	408.20
3582102			Bushing	80 mm		CTC-1140755	50.30
3852831			P-UB-14	80 mm	120 mm	CTC-3937949	356.36
3852831			Bushing	80 mm		CTC-3852900	46.27
TRACK ADJUSTER							
GAC1-; MJD1-; PZL1-; WEY1-							
2979143			TRK ADJ			CTC-2979143K	60.43
MODEL 313B							
BLADE LH							
1298009			P-UB-10	80 mm	120 mm	CTC-1697835	345.93
BLADE RH							
1298010			P-UB-10	80 mm	120 mm	CTC-1697835	345.93
BOOM							
1624758			P-UB-10	75 mm	110 mm	CTC-1697837	415.54
BUCKET							
1346987			P-UB-10	65 mm	100 mm	CTC-1764935	354.00
1438158			P-UB-10	65 mm	100 mm	CTC-1697839	350.42
OFFSET							
1239906			P-UB-10	70 mm	130 mm	CTC-1697843	402.56
STICK							
1195436			P-UB-10	80 mm	120 mm	CTC-1195446	431.21
1211406			P-UB-10	75 mm	110 mm	CTC-1195435	472.67
1438157			P-UB-10	80 mm	120 mm	CTC-1697838	434.08
1438160			P-UB-10	75 mm	110 mm	CTC-1697837	415.54
MODEL 313F L							
BLADE LH							
DJE1-UP; NLG1-UP; PRG1-UP							
3852886			P-UB-10	80 mm	120 mm	CTC-3937948	408.48
3852886			Bushing	80 mm		CTC-3852900	46.27
BLADE RH							
DJE1-UP; NLG1-UP; PRG1-UP							
3852887			P-UB-10	80 mm	120 mm	CTC-3937948	408.48
3852887			Bushing	80 mm		CTC-3852900	46.27
BOOM							
DJE1-UP; NLG1-UP; PRG1-UP							
3852828			P-UB-14	75 mm	110 mm	CTC-3937887	342.31
3852828			Bushing	75 mm		CTC-3937931	41.34
NLG1-UP; PRG1-UP							
1847660	Variable Adjustable Boom		P-UB-10	85 mm	140 mm	CTC-3808347	298.58
1847660	Variable Adjustable Boom		Bushing	85 mm		CTC-1140756	54.86
BUCKET							
DJE1-UP; NLG1-UP; PRG1-UP							
3687047			P-UB-10	70 mm	100 mm	CTC-3494121	297.60
3687047			Bushing	70 mm		CTC-1140753	43.69
3852834			P-UB-14	70 mm	100 mm	CTC-3904227	357.72
3852834			Bushing	70 mm		CTC-3904158	37.36
4842102			I-U-10	40 mm	70 mm	CTC-3240355	97.42
4842102			P-U-10	40 mm	70 mm	CTC-5016692	90.06
4842103			I-U-10	40 mm	70 mm	CTC-3240355	97.42
4842103			P-U-10	40 mm	70 mm	CTC-5016692	90.06
STICK							
DJE1-UP; NLG1-UP; PRG1-UP							
3852831			P-UB-14	80 mm	120 mm	CTC-3937949	356.36

REPLACEMENT KITS FOR CATERPILLAR® EQUIPMENT

Excavators							
APPLICATION	CYL #	Misc-Parts, Instructions, etc.	CODE	ROD	BORE	KIT #	List \$
MODEL 313F L							
TRACK ADJUSTER							
DJE1-UP; NLG1-UP; PRG1-UP							
	2979143		TRK ADJ			CTC-2979143K	60.43
MODEL 313F LGC							
BLADE LH							
GJD1-UP; HDK1-UP; ZGS1-UP							
	3852886		P-UB-10	80 mm	120 mm	CTC-3937948	408.48
	3852886		Bushing	80 mm		CTC-3852900	46.27
BLADE RH							
GJD1-UP; HDK1-UP; ZGS1-UP							
	3852887		P-UB-10	80 mm	120 mm	CTC-3937948	408.48
	3852887		Bushing	80 mm		CTC-3852900	46.27
BOOM							
GJD1-UP; HDK1-UP; ZGS1-UP							
	3852828		P-UB-14	75 mm	110 mm	CTC-3937887	342.31
	3852828		Bushing	75 mm		CTC-3937931	41.34
BUCKET							
GJD1-UP; HDK1-UP; ZGS1-UP							
	3852834		P-UB-14	70 mm	100 mm	CTC-3904227	357.72
	3852834		Bushing	70 mm		CTC-3904158	37.36
GJD1-UP; ZGS1-UP							
	4842102		I-U-10	40 mm	70 mm	CTC-3240355	97.42
	4842102		P-U-10	40 mm	70 mm	CTC-5016692	90.06
	4842103		I-U-10	40 mm	70 mm	CTC-3240355	97.42
	4842103		P-U-10	40 mm	70 mm	CTC-5016692	90.06
COUPLER							
HDK1-UP							
	3006024		P-U-10,12	1-1/2	2-1/2	CTC-3465584	52.46
STICK							
GJD1-UP; HDK1-UP; ZGS1-UP							
	3852831		P-UB-14	80 mm	120 mm	CTC-3937949	356.36
TRACK ADJUSTER							
GJD1-UP; HDK1-UP; ZGS1-UP							
	2979143		TRK ADJ			CTC-2979143K	60.43
MODEL 314C LCR							
BLADE LH							
KJA1-UP; PCA1-UP							
	1709809		P-UB-10	80 mm	120 mm	CTC-1709946	457.03
	1709809		Bushing	80 mm		CTC-1140755	50.30
BLADE RH							
KJA1-UP; PCA1-UP							
	1709810		P-UB-10	80 mm	120 mm	CTC-1709946	457.03
	1709810		Bushing	80 mm		CTC-1140755	50.30
BOOM							
KJA1-UP; PCA1-UP							
	1948228		P-UB-10	75 mm	110 mm	CTC-1709937	249.22
	1948228		Bushing	75 mm		CTC-1140750	45.86
	1948239		P-UB-10	75 mm	110 mm	CTC-1709937	249.22
	1948239		Bushing	75 mm		CTC-1140750	45.86

REPLACEMENT KITS FOR CATERPILLAR® EQUIPMENT

Excavators							
APPLICATION	CYL #	Misc-Parts, Instructions, etc.	CODE	ROD	BORE	KIT #	List \$
MODEL 314C LCR							
BUCKET							
KJA1-UP; PCA1-UP							
1709808			P-UB-10	65 mm	100 mm	CTC-1709941	207.55
1709808			Bushing	65 mm		CTC-1140754	38.00
2487855			P-UB-10	65 mm	100 mm	CTC-1709941	207.55
2487855			Bushing	65 mm		CTC-1140754	38.00
2836118			P-UB-10	65 mm	100 mm	CTC-1709941	207.55
2836118			Bushing	65 mm		CTC-1140754	38.00
2959396			P-UB-10	65 mm	100 mm	CTC-1709941	207.55
2959396			Bushing	65 mm		CTC-1140754	38.00
OFFSET							
KJA1-UP; PCA1-UP							
2042765			P-UB-10	75 mm	130 mm	CTC-2003361	316.73
2042765			Bushing	75 mm		CTC-1140750	45.86
QUICK COUPLER							
KJA1-UP; PCA1-UP							
1847487			I-U-10	1-3/4	63 mm	CTC-1728486	106.61
2734147			I-U-10	1-3/4	63 mm	CTC-3265237	106.61
STICK							
KJA1-UP; PCA1-UP							
1948250			P-UB-10	80 mm	120 mm	CTC-1709999	308.05
1948250			Bushing	80 mm		CTC-1140755	50.30
1948312			P-UB-10	80 mm	120 mm	CTC-1709999	308.05
1948312			Bushing	80 mm		CTC-1140755	50.30
2512894			P-UB-10	80 mm	120 mm	CTC-1709999	308.05
2512894			Bushing	80 mm		CTC-1140755	50.30
3350003			P-UB-10	80 mm	120 mm	CTC-3350007	232.65
3350003			Bushing	80 mm		CTC-1140755	50.30
MODEL 314D CR							
BLADE LH							
PDP1-UP							
2742682			P-UB-10	80 mm	120 mm	CTC-1709946	457.03
2742682			Bushing	80 mm		CTC-1140755	50.30
PDP1-UP; WLN1-UP							
3264445			P-UB-10	80 mm	120 mm	CTC-1709946	457.03
3264445			Bushing	80 mm		CTC-1140755	50.30
3852886			P-UB-10	80 mm	120 mm	CTC-3937948	408.48
3852886			Bushing	80 mm		CTC-3852900	46.27
BLADE RH							
PDP1-UP							
2742683			P-UB-10	80 mm	120 mm	CTC-1709946	457.03
2742683			Bushing	80 mm		CTC-1140755	50.30
PDP1-UP; WLN1-UP							
3264451			P-UB-10	80 mm	120 mm	CTC-1709946	457.03
3264451			Bushing	80 mm		CTC-1140755	50.30
3852887			P-UB-10	80 mm	120 mm	CTC-3937948	408.48
3852887			Bushing	80 mm		CTC-3852900	46.27

REPLACEMENT KITS FOR CATERPILLAR® EQUIPMENT

Excavators							
APPLICATION	CYL #	Misc-Parts, Instructions, etc.	CODE	ROD	BORE	KIT #	List \$
MODEL 314D CR							
BOOM							
PDP1-UP; WLN1-UP							
2897720			P-UB-10	75 mm	110 mm	CTC-2897733	618.32
2897720			Bushing	75 mm		CTC-1140750	45.86
3349964			P-UB-10	75 mm	110 mm	CTC-2897733	618.32
3349964			Bushing	75 mm		CTC-1140750	45.86
3852850			P-UB-14	75 mm	110 mm	CTC-3937887	342.31
3852850			Bushing	75 mm		CTC-3937931	41.34
4191111			P-UB-10	75 mm	110 mm	CTC-3494119	439.00
4191111			Bushing	75 mm		CTC-1140750	45.86
BOOM OFFSET							
PDP1-UP; WLN1-UP							
3845097			P-UB-10	75 mm	130 mm	CTC-3949688	264.60
3845097			Bushing	75 mm		CTC-1140750	45.86
BUCKET							
PDP1-UP; WLN1-UP							
2897699			P-UB-10	70 mm	100 mm	CTC-2836179	310.74
2897699			Bushing	70 mm		CTC-1140753	43.69
2898086			P-UB-10	70 mm	100 mm	CTC-2836179	310.74
2898086			Bushing	70 mm		CTC-1140753	43.69
3582108			P-UB-10	70 mm	100 mm	CTC-3494121	297.60
3582108			Bushing	70 mm		CTC-1140753	43.69
3852834			P-UB-14	70 mm	100 mm	CTC-3904227	357.72
3852834			Bushing	70 mm		CTC-3904158	37.36
COUPLER							
PDP1-UP; WLN1-UP							
2734147			I-U-10	1-3/4	63 mm	CTC-3265237	106.61
3006024			P-U-10,12	1-1/2	2-1/2	CTC-3465584	52.46
OFFSET							
PDP1-UP; WLN1-UP							
2835905			P-UB-10	75 mm	130 mm	CTC-2003361	316.73
2835905			Bushing	75 mm		CTC-1140750	45.86
STICK							
PDP1-UP; WLN1-UP							
2742737			P-UB-10	80 mm	120 mm	CTC-2897716	597.56
2742737			Bushing	80 mm		CTC-1140755	50.30
2897713			P-UB-10	80 mm	120 mm	CTC-2897716	597.56
2897713			Bushing	80 mm		CTC-1140755	50.30
3624130			P-UB-10	80 mm	120 mm	CTC-3494120	408.20
3624130			Bushing	80 mm		CTC-1140755	50.30
3852831			P-UB-14	80 mm	120 mm	CTC-3937949	356.36
3852831			Bushing	80 mm		CTC-3852900	46.27
TRACK ADJUSTER							
PDP1-UP; WLN1-UP							
2979143			TRK ADJ			CTC-2979143K	60.43
MODEL 314D LCR							
BLADE LH							
BYJ1-UP; SBP1-UP							
2742682			P-UB-10	80 mm	120 mm	CTC-1709946	457.03
2742682			Bushing	80 mm		CTC-1140755	50.30
BYJ1-UP; SBP1-UP; SSZ1-UP; TXN1-UP; XHR1-UP							
3264445			P-UB-10	80 mm	120 mm	CTC-1709946	457.03
3264445			Bushing	80 mm		CTC-1140755	50.30
BYJ1-UP; SSZ1-UP; TXN1-UP; XHR1-UP							
3852886			P-UB-10	80 mm	120 mm	CTC-3937948	408.48
3852886			Bushing	80 mm		CTC-3852900	46.27

REPLACEMENT KITS FOR CATERPILLAR® EQUIPMENT

Excavators							
APPLICATION	CYL #	Misc-Parts, Instructions, etc.	CODE	ROD	BORE	KIT #	List \$
MODEL 314D LCR							
BLADE RH							
BYJ1-UP; SBP1-UP							
2742683			P-UB-10	80 mm	120 mm	CTC-1709946	457.03
2742683			Bushing	80 mm		CTC-1140755	50.30
BYJ1-UP; SBP1-UP; SSZ1-UP; TXN1-UP; XHR1-UP							
3264451			P-UB-10	80 mm	120 mm	CTC-1709946	457.03
3264451			Bushing	80 mm		CTC-1140755	50.30
BYJ1-UP; SSZ1-UP; TXN1-UP; XHR1-UP							
3852887			P-UB-10	80 mm	120 mm	CTC-3937948	408.48
3852887			Bushing	80 mm		CTC-3852900	46.27
BOOM							
BYJ1-UP; SBP1-UP; SSZ1-UP; TXN1-UP; XHR1-UP							
2897720			P-UB-10	75 mm	110 mm	CTC-2897733	618.32
2897720			Bushing	75 mm		CTC-1140750	45.86
3349964			P-UB-10	75 mm	110 mm	CTC-2897733	618.32
3349964			Bushing	75 mm		CTC-1140750	45.86
BYJ1-UP; SSZ1-UP; TXN1-UP; XHR1-UP							
3852850			P-UB-14	75 mm	110 mm	CTC-3937887	342.31
3852850			Bushing	75 mm		CTC-3937931	41.34
BYJ1-UP; SSZ1-UP; XHR1-UP							
4191111			P-UB-10	75 mm	110 mm	CTC-3494119	439.00
4191111			Bushing	75 mm		CTC-1140750	45.86
SBP1-UP; TXN1-UP							
1847660	Variable Adjustable Boom		P-UB-10	85 mm	140 mm	CTC-3808347	298.58
2959458			P-UB-10	75 mm	110 mm	CTC-2897733	618.32
2959458			Bushing	75 mm		CTC-1140750	45.86
BOOM OFFSET							
BYJ1-UP; SSZ1-UP; XHR1-UP							
3845097			P-UB-10	75 mm	130 mm	CTC-3949688	264.60
3845097			Bushing	75 mm		CTC-1140750	45.86
BUCKET							
BYJ1-UP; SBP1-UP; SSZ1-UP; TXN1-UP; XHR1-UP							
2897699			P-UB-10	70 mm	100 mm	CTC-2836179	310.74
2897699			Bushing	70 mm		CTC-1140753	43.69
BYJ1-UP; SSZ1-UP; TXN1-UP; XHR1-UP							
2898086			P-UB-10	70 mm	100 mm	CTC-2836179	310.74
2898086			Bushing	70 mm		CTC-1140753	43.69
3852834			P-UB-14	70 mm	100 mm	CTC-3904227	357.72
3852834			Bushing	70 mm		CTC-3904158	37.36
BYJ1-UP; SSZ1-UP; XHR1-UP							
3582108			P-UB-10	70 mm	100 mm	CTC-3494121	297.60
3582108			Bushing	70 mm		CTC-1140753	43.69
COUPLER							
BYJ1-UP; SBP1-UP; SSZ1-UP; TXN1-UP; XHR1-UP							
2734147			I-U-10	1-3/4	63 mm	CTC-3265237	106.61
BYJ1-UP; SSZ1-UP; TXN1-UP; XHR1-UP							
3006024			P-U-10,12	1-1/2	2-1/2	CTC-3465584	52.46
OFFSET							
BYJ1-UP; SBP1-UP; SSZ1-UP; TXN1-UP; XHR1-UP							
2835905			P-UB-10	75 mm	130 mm	CTC-2003361	316.73
2835905			Bushing	75 mm		CTC-1140750	45.86

REPLACEMENT KITS FOR CATERPILLAR® EQUIPMENT

Excavators							
APPLICATION	CYL #	Misc-Parts, Instructions, etc.	CODE	ROD	BORE	KIT #	List \$
MODEL 314D LCR							
STICK							
BYJ1-UP; SBP1-UP; SSZ1-UP; TXN1-UP; XHR1-UP							
2742737			P-UB-10	80 mm	120 mm	CTC-2897716	597.56
2742737			Bushing	80 mm		CTC-1140755	50.30
2897713			P-UB-10	80 mm	120 mm	CTC-2897716	597.56
2897713			Bushing	80 mm		CTC-1140755	50.30
BYJ1-UP; SSZ1-UP; TXN1-UP; XHR1-UP							
3624130			P-UB-10	80 mm	120 mm	CTC-3494120	408.20
3624130			Bushing	80 mm		CTC-1140755	50.30
3852831			P-UB-14	80 mm	120 mm	CTC-3937949	356.36
3852831			Bushing	80 mm		CTC-3852900	46.27
SBP1-UP; TXN1-UP							
2897726			P-UB-10	75 mm	110 mm	CTC-2897733	618.32
2897726			Bushing	75 mm		CTC-1140750	45.86
TRACK ADJUSTER							
BYJ1-UP; SBP1-UP; SSZ1-UP; TXN1-UP; XHR1-UP							
2979143			TRK ADJ			CTC-2979143K	60.43
MODEL 314E CR							
BLADE LH							
ECN1-UP; GMD1-UP							
3852886			P-UB-10	80 mm	120 mm	CTC-3937948	408.48
3852886			Bushing	80 mm		CTC-3852900	46.27
BLADE RH							
ECN1-UP; GMD1-UP							
3852887			P-UB-10	80 mm	120 mm	CTC-3937948	408.48
3852887			Bushing	80 mm		CTC-3852900	46.27
BOOM							
ECN1-UP							
3624127	Type 1		P-UB-10	75 mm	110 mm	CTC-2897733	618.32
3624127	Type 1		Bushing	75 mm		CTC-1140750	45.86
3713870			P-UB-10	75 mm	110 mm	CTC-3494119	439.00
3713870			Bushing	75 mm		CTC-1140750	45.86
ECN1-UP; GMD1-UP							
3624127	Type 2		P-UB-10	75 mm	110 mm	CTC-3494119	439.00
3624127	Type 2		Bushing	75 mm		CTC-1140750	45.86
3852850			P-UB-14	75 mm	110 mm	CTC-3937887	342.31
3852850			Bushing	75 mm		CTC-3937931	41.34
BOOM OFFSET							
ECN1-UP; GMD1-UP							
3845097			P-UB-10	75 mm	130 mm	CTC-3949688	264.60
3845097			Bushing	75 mm		CTC-1140750	45.86
BUCKET							
ECN1-UP							
3582108			P-UB-10	70 mm	100 mm	CTC-3494121	297.60
3582108			Bushing	70 mm		CTC-1140753	43.69
ECN1-UP; GMD1-UP							
3852834			P-UB-14	70 mm	100 mm	CTC-3904227	357.72
3852834			Bushing	70 mm		CTC-3904158	37.36
GMD1-UP							
3687047			P-UB-10	70 mm	100 mm	CTC-3494121	297.60
3687047			Bushing	70 mm		CTC-1140753	43.69

REPLACEMENT KITS FOR CATERPILLAR® EQUIPMENT

Excavators							
APPLICATION	CYL #	Misc-Parts, Instructions, etc.	CODE	ROD	BORE	KIT #	List \$
MODEL 314E CR							
STICK							
ECN1-UP; GMD1-UP							
3624130			P-UB-10	80 mm	120 mm	CTC-3494120	408.20
3624130			Bushing	80 mm		CTC-1140755	50.30
3852831			P-UB-14	80 mm	120 mm	CTC-3937949	356.36
3852831			Bushing	80 mm		CTC-3852900	46.27
TRACK ADJUSTER							
ECN1-UP; GMD1-UP							
2979143			TRK ADJ			CTC-2979143K	60.43
MODEL 314E LCR							
BLADE LH							
DKD1-UP; YCW1-UP; ZJT1-UP							
3852886			P-UB-10	80 mm	120 mm	CTC-3937948	408.48
3852886			Bushing	80 mm		CTC-3852900	46.27
BLADE RH							
DKD1-UP; YCW1-UP; ZJT1-UP							
3852887			P-UB-10	80 mm	120 mm	CTC-3937948	408.48
3852887			Bushing	80 mm		CTC-3852900	46.27
BOOM							
DKD1-UP							
1847660	Variable Adj		P-UB-10	85 mm	140 mm	CTC-3808347	298.58
1847660	Variable Adj		Bushing	85 mm		CTC-1140756	54.86
4156387			P-UB-14	75 mm	110 mm	CTC-3937887	342.31
4156387			Bushing	75 mm		CTC-3937931	41.34
DKD1-UP; YCW1-UP; ZJT1-UP							
3624127	Type 1		P-UB-10	75 mm	110 mm	CTC-2897733	618.32
3624127	Type 2		P-UB-10	75 mm	110 mm	CTC-3494119	439.00
3624127	Type 1 & 2		Bushing	75 mm		CTC-1140750	45.86
3713870			P-UB-10	75 mm	110 mm	CTC-3494119	439.00
3713870			Bushing	75 mm		CTC-1140750	45.86
3852850			P-UB-14	75 mm	110 mm	CTC-3937887	342.31
3852850			Bushing	75 mm		CTC-3937931	41.34
BOOM OFFSET							
DKD1-UP; ZJT1-UP							
3845097			P-UB-10	75 mm	130 mm	CTC-3949688	264.60
3845097			Bushing	75 mm		CTC-1140750	45.86
BUCKET							
DKD1-UP; YCW1-UP; ZJT1-UP							
3582108			P-UB-10	70 mm	100 mm	CTC-3494121	297.60
3582108			Bushing	70 mm		CTC-1140753	43.69
3852834			P-UB-14	70 mm	100 mm	CTC-3904227	357.72
3852834			Bushing	70 mm		CTC-3904158	37.36
DKD1-UP; ZJT1-UP							
3687047			P-UB-10	70 mm	100 mm	CTC-3494121	297.60
3687047			Bushing	70 mm		CTC-1140753	43.69
YCW1-UP							
3746547			P-UB-10	75 mm	110 mm	CTC-3494119	439.00
3746547			Bushing	75 mm		CTC-1140750	45.86
3852885			P-UB-14	75 mm	110 mm	CTC-3937887	342.31
3852885			Bushing	75 mm		CTC-3937931	41.34
COUPLER							
ZJT1-UP							
3006024			P-U-10,12	1-1/2	2-1/2	CTC-3465584	52.46

REPLACEMENT KITS FOR CATERPILLAR® EQUIPMENT

Excavators							
APPLICATION	CYL #	Misc-Parts, Instructions, etc.	CODE	ROD	BORE	KIT #	List \$
MODEL 314E LCR							
STICK							
DKD1-UP; YCW1-UP; ZJT1-UP							
3624130			P-UB-10	80 mm	120 mm	CTC-3494120	408.20
3624130			Bushing	80 mm		CTC-1140755	50.30
3852831			P-UB-14	80 mm	120 mm	CTC-3937949	356.36
3852831			Bushing	80 mm		CTC-3852900	46.27
DKD1-UP; ZJT1-UP							
3582102			P-UB-10	80 mm	120 mm	CTC-3494120	408.20
3582102			Bushing	80 mm		CTC-1140755	50.30
TRACK ADJUSTER							
DKD1-UP; YCW1-UP; ZJT1-UP							
2979143			TRK ADJ			CTC-2979143K	60.43
MODEL 315							
BOOM							
1057336			P-UB-10	80 mm	110 mm	CTC-1057359	392.20
1276046			P-UB-10	80 mm	110 mm	CTC-1057359	392.20
BUCKET							
1057381			P-UB-10	70 mm	100 mm	CTC-1057397	324.39
1076640			P-UB-10	80 mm	110 mm	CTC-1057359	392.20
1276056			P-UB-10	70 mm	100 mm	CTC-1057397	324.39
1276060			P-UB-10	80 mm	110 mm	CTC-1057359	392.20
STICK							
1057362			P-UB-10	85 mm	120 mm	CTC-1057379	414.65
1276051			P-UB-10	85 mm	120 mm	CTC-1057379	414.65
1624672			P-UB-10	85 mm	120 mm	CTC-1624676	166.35
MODEL 315B							
BOOM							
1SW1-UP; 3AW1-UP; 7RZ1-UP							
1559251			P-UB-10	80 mm	110 mm	CTC-1659420	222.47
1559251			Bushing	80 mm		CTC-1140755	50.30
BUCKET							
1SW1-UP; 3AW1-UP; 7RZ1-UP							
1733490			P-UB-10	70 mm	100 mm	CTC-1799638	156.34
1733490			Bushing	70 mm		CTC-1140753	43.69
STICK							
1SW1-UP; 3AW1-UP; 7RZ1-UP							
1559253			P-UB-10	85 mm	120 mm	CTC-1659418	223.67
1559253			Bushing	85 mm		CTC-1140756	54.86
MODEL 315B L							
BOOM							
1SW1-UP; 3AW1-UP; 5SW1-UP; 7RZ1-UP							
1559251			P-UB-10	80 mm	110 mm	CTC-1659420	222.47
1559251			Bushing	80 mm		CTC-1140755	50.30
5SW1-UP							
1336630			P-UB-10	80 mm	110 mm	CTC-1336646	396.43
1336630			Bushing	80 mm		CTC-1140755	50.30
1847660			P-UB-10	85 mm	140 mm	CTC-3808347	298.58
1847660			Bushing	85 mm		CTC-1140756	54.86
BUCKET							
1SW1-UP; 3AW1-UP; 7RZ1-UP							
1733490			P-UB-10	70 mm	100 mm	CTC-1799638	156.34
1733490			Bushing	70 mm		CTC-1140753	43.69

REPLACEMENT KITS FOR CATERPILLAR® EQUIPMENT

Excavators							
APPLICATION	CYL #	Misc-Parts, Instructions, etc.	CODE	ROD	BORE	KIT #	List \$
MODEL 315B L							
BUCKET							
5SW1-UP							
1336636			P-UB-10	70 mm	100 mm	CTC-1336691	344.15
1336636			Bushing	70 mm		CTC-1140753	43.69
1336639			P-UB-10	80 mm	110 mm	CTC-1336646	396.43
1336639			Bushing	80 mm		CTC-1140755	50.30
1559255			P-UB-10	70 mm	100 mm	CTC-1709827	175.45
1559255			Bushing	70 mm		CTC-1140753	43.69
1588923			P-UB-10	80 mm	110 mm	CTC-1659420	222.47
1588923			Bushing	80 mm		CTC-1140755	50.30
STICK							
1SW1-UP; 3AW1-UP; 5SW1-UP; 7RZ1-UP							
1559253			P-UB-10	85 mm	120 mm	CTC-1659418	223.67
1559253			Bushing	85 mm		CTC-1140756	54.86
5SW1-UP							
1336633			P-UB-10	85 mm	120 mm	CTC-1184131	399.75
1336633			Bushing	85 mm		CTC-1140756	54.86
MODEL 315C							
BOOM							
AKE1-UP; CFB1-UP; CFT1-UP; CJC1-UP							
1733482			P-UB-10	80 mm	110 mm	CTC-1799625	402.75
1733482			Bushing	80 mm		CTC-1140755	50.30
BUCKET							
AKE1-UP; CFB1-UP; CFT1-UP; CJC1-UP							
1733490			P-UB-10	70 mm	100 mm	CTC-1799638	156.34
1733490			Bushing	70 mm		CTC-1140753	43.69
1733493			P-UB-10	80 mm	110 mm	CTC-1799625	402.75
1733493			Bushing	80 mm		CTC-1140755	50.30
2836126			P-UB-10	70 mm	100 mm	CTC-1799638	156.34
2836126			Bushing	70 mm		CTC-1140753	43.69
2836128			P-UB-10	80 mm	110 mm	CTC-1799625	402.75
2836128			Bushing	80 mm		CTC-1140755	50.30
QUICK COUPLER							
AKE1-UP; CFB1-UP; CFT1-UP; CJC1-UP							
1847488			I-U-10	50 mm	70 mm	CTC-1728487	87.21
STICK							
AKE1-UP; CFB1-UP; CFT1-UP; CJC1-UP							
1733486			P-UB-10	85 mm	120 mm	CTC-1799634	223.67
1733486			Bushing	85 mm		CTC-1140756	54.86
MODEL 315C L							
BOOM							
AKE1-UP; ANF1-UP; CFB1-UP; CFT1-UP; CJC1-UP							
1733482			P-UB-10	80 mm	110 mm	CTC-1799625	402.75
1733482			Bushing	80 mm		CTC-1140755	50.30
ANF1-UP							
1559251			P-UB-10	80 mm	110 mm	CTC-1659420	222.47
1559251			Bushing	80 mm		CTC-1140755	50.30
1847660			P-UB-10	85 mm	140 mm	CTC-3808347	298.58
1847660			Bushing	85 mm		CTC-1140756	54.86

REPLACEMENT KITS FOR CATERPILLAR® EQUIPMENT

Excavators							
APPLICATION	CYL #	Misc-Parts, Instructions, etc.	CODE	ROD	BORE	KIT #	List \$
MODEL 315C L							
BUCKET							
AKE1-UP; ANF1-UP; CFB1-UP; CFT1-UP; CJC1-UP							
1733490			P-UB-10	70 mm	100 mm	CTC-1799638	156.34
1733490			Bushing	70 mm		CTC-1140753	43.69
1733493			P-UB-10	80 mm	110 mm	CTC-1799625	402.75
1733493			Bushing	80 mm		CTC-1140755	50.30
2836126			P-UB-10	70 mm	100 mm	CTC-1799638	156.34
2836126			Bushing	70 mm		CTC-1140753	43.69
AKE1-UP; CFB1-UP; CFT1-UP; CJC1-UP							
2836128			P-UB-10	80 mm	110 mm	CTC-1799625	402.75
2836128			Bushing	80 mm		CTC-1140755	50.30
ANF1-UP							
2836128			P-UB-10	80 mm	110 mm	CTC-1799625	402.75
2836128			Bushing	80 mm		CTC-1140755	50.30
QUICK COUPLER							
AKE1-UP; CFB1-UP; CFT1-UP; CJC1-UP							
1847488			I-U-10	50 mm	70 mm	CTC-1728487	87.21
STICK							
AKE1-UP; CFB1-UP; CFT1-UP; CJC1-UP							
1733486			P-UB-10	85 mm	120 mm	CTC-1799634	223.67
1733486			Bushing	85 mm		CTC-1140756	54.86
ANF1-UP							
1559253			P-UB-10	85 mm	120 mm	CTC-1659418	223.67
1559253			Bushing	85 mm		CTC-1140756	54.86
2248528			P-UB-10	85 mm	120 mm	CTC-1659418	223.67
2248528			Bushing	85 mm		CTC-1140756	54.86
MODEL 315D L							
BOOM							
BZN1-UP; CJN1-UP; JGS1-UP; JHA1-UP; KBD1-UP; NCM1-UP							
2590840			P-UB-10	80 mm	110 mm	CTC-2667861	219.61
BZN1-UP; CJN1-UP; JGS1-UP; NCM1-UP; TLE1-UP							
2898093			P-UB-10	80 mm	110 mm	CTC-2667861	219.61
NCM1-UP; TLE1-UP							
1847660			P-UB-10	85 mm	140 mm	CTC-3808347	298.58
BUCKET							
BZN1-UP; CJN1-UP; JGS1-UP							
2818979			P-UB-10	70 mm	100 mm	CTC-1799638	156.34
3021734			P-UB-10	80 mm	110 mm	CTC-1799625	402.75
BZN1-UP; CJN1-UP; JGS1-UP; JHA1-UP; KBD1-UP							
3228747			P-UB-10	80 mm	110 mm	CTC-1799625	402.75
BZN1-UP; JGS1-UP; KBD1-UP							
3421892			P-UB-10	80 mm	110 mm	CTC-1799625	402.75
CJN1-UP							
2590916			P-UB-10	80 mm	110 mm	CTC-1799625	402.75
CJN1-UP; JGS1-UP; NCM1-UP; TLE1-UP							
3349944			P-UB-10	80 mm	110 mm	CTC-1799625	402.75
CJN1-UP; KBD1-UP							
2590846			P-UB-10	70 mm	100 mm	CTC-1799638	156.34
CJN1-UP; NCM1-UP							
2898121			P-UB-10	80 mm	110 mm	CTC-1799625	402.75
CJN1-UP; NCM1-UP; TLE1-UP							
2898113			P-UB-10	70 mm	100 mm	CTC-1799638	156.34
COUPLER							
BZN1-UP; CJN1-UP; JGS1-UP; KBD1-UP; NCM1-UP; TLE1-UP							
2569795			I-U-10	50 mm	70 mm	CTC-1728487	87.21

CATERPILLAR®

REPLACEMENT KITS FOR CATERPILLAR® EQUIPMENT

Excavators							
APPLICATION	CYL #	Misc-Parts, Instructions, etc.	CODE	ROD	BORE	KIT #	List \$
MODEL 315D L							
COUPLER							
BZN1-UP; JGS1-UP							
3052017			P-U-10,12	1-3/4	3	CTC-3465609	62.49
NCM1-UP; TLE1-UP							
1690329			I-U-5	40 mm	60 mm	CTC-2027897	66.15
STICK							
BZN1-UP; CJN1-UP; JGS1-UP; JHA1-UP; KBD1-UP							
2590843			P-UB-10	85 mm	120 mm	CTC-2667874	197.47
BZN1-UP; CJN1-UP; JGS1-UP; NCM1-UP; TLE1-UP							
3228746			P-UB-10	85 mm	120 mm	CTC-2667874	197.47
CJN1-UP							
2898103			P-UB-10	85 mm	120 mm	CTC-2667874	197.47
NCM1-UP							
2884014			P-UB-10	85 mm	120 mm	CTC-2667874	197.47
MODEL 315F LCR							
BLADE LH							
TDY1-UP							
3852886			P-UB-10	80 mm	120 mm	CTC-3937948	408.48
3852886			Bushing	80 mm		CTC-3852900	46.27
BLADE RH							
TDY1-UP							
3852887			P-UB-10	80 mm	120 mm	CTC-3937948	408.48
3852887			Bushing	80 mm		CTC-3852900	46.27
BOOM							
TDY1-UP							
3624127			P-UB-10	75 mm	110 mm	CTC-3494119	439.00
3624127			Bushing	75 mm		CTC-1140750	45.86
3845097			P-UB-10	75 mm	130 mm	CTC-3949688	264.60
3845097			Bushing	75 mm		CTC-1140750	45.86
3852828			P-UB-14	75 mm	110 mm	CTC-3937887	342.31
3852828			Bushing	75 mm		CTC-3937931	41.34
3852850			P-UB-14	75 mm	110 mm	CTC-3937887	342.31
3852850			Bushing	75 mm		CTC-3937931	41.34
4156387			P-UB-14	75 mm	110 mm	CTC-3937887	342.31
4156387			Bushing	75 mm		CTC-3937931	41.34
BOOM VAR ADJ							
TDY1-UP							
1847660			P-UB-10	85 mm	140 mm	CTC-3808347	298.58
1847660			Bushing	85 mm		CTC-1140756	54.86
BUCKET							
TDY1-UP							
3582108			P-UB-10	70 mm	100 mm	CTC-3494121	297.60
3582108			Bushing	70 mm		CTC-1140753	43.69
3687047			P-UB-10	70 mm	100 mm	CTC-3494121	297.60
3687047			Bushing	70 mm		CTC-1140753	43.69
3852834			P-UB-14	70 mm	100 mm	CTC-3904227	357.72
3852834			Bushing	70 mm		CTC-3904158	37.36
3852885			P-UB-14	75 mm	110 mm	CTC-3937887	342.31
3852885			Bushing	75 mm		CTC-3937931	41.34
4699342	Head 3234218		I-U-10	50 mm	80 mm	CTC-3240356	130.67
4699342	Head 4914780		P-U-10	50 mm	80 mm	CTC-5016702	122.41
4699353	Head 3234218		I-U-10	50 mm	80 mm	CTC-3240356	130.67
4699353	Head 4914780		P-U-10	50 mm	80 mm	CTC-5016702	122.41

CATERPILLAR®

REPLACEMENT KITS FOR CATERPILLAR® EQUIPMENT

Excavators							
APPLICATION	CYL #	Misc-Parts, Instructions, etc.	CODE	ROD	BORE	KIT #	List \$
MODEL 315F LCR							
COUPLER							
TDY1-UP							
	3954045		I-U-10	1	1-3/4	CTC-4536525	30.65
	3954045		Chk Vlv Kit			CTC-2138433	19.97
	5697997		I-U-10	1	1-3/4	CTC-4536525	30.65
	5697997		Chk Vlv Kit			CTC-2138433	19.97
STICK							
TDY1-UP							
	3624130		P-UB-10	80 mm	120 mm	CTC-3494120	408.20
	3624130		Bushing	80 mm		CTC-1140755	50.30
	3852831		P-UB-14	80 mm	120 mm	CTC-3937949	356.36
	3852831		Bushing	80 mm		CTC-3852900	46.27
TRACK ADJUSTER							
TDY1-UP							
	2979143		TRK ADJ			CTC-2979143K	60.43
MODEL 315L							
BOOM							
	1057336		P-UB-10	80 mm	110 mm	CTC-1057359	392.20
BUCKET							
	1057381		P-UB-10	70 mm	100 mm	CTC-1057397	324.39
	1076640		P-UB-10	80 mm	110 mm	CTC-1057359	392.20
STICK							
	1057362		P-UB-10	85 mm	120 mm	CTC-1057379	414.65
MODEL 316E L							
BOOM							
DZW1-UP; WZY1-UP; YZZ1-UP							
	3604557		P-UB-10	80 mm	110 mm	CTC-3604580	212.09
	3604557		Bushing	80 mm		CTC-1140755	50.30
	3852913		P-UB-14	80 mm	110 mm	CTC-3852908	265.22
	3852913		Bushing	80 mm		CTC-3852900	46.27
YZZ1-UP							
	1847660		P-UB-10	85 mm	140 mm	CTC-3808347	298.58
	1847660		Bushing	85 mm		CTC-1140756	54.86
BUCKET							
DZW1-UP; WZY1-UP; YZZ1-UP							
	3604563		P-UB-10	80 mm	110 mm	CTC-3604582	192.60
	3604563		Bushing	80 mm		CTC-1140755	50.30
	3852917		P-UB-14	80 mm	110 mm	CTC-3852946	209.09
	3852917		Bushing	80 mm		CTC-3852900	46.27
DZW1-UP; YZZ1-UP							
	3678623		P-UB-10	80 mm	110 mm	CTC-3604582	192.60
	3678623		Bushing	80 mm		CTC-1140755	50.30
COUPLER							
DZW1-UP; YZZ1-UP							
	2569795		I-U-10	50 mm	70 mm	CTC-1728487	87.21
	3052017		P-U-10,12	1-3/4	3	CTC-3465609	62.49
YZZ1-UP							
	1690329		I-U-5	40 mm	60 mm	CTC-2027897	66.15
STICK							
DZW1-UP; WZY1-UP; YZZ1-UP							
	3604560		P-UB-10	85 mm	120 mm	CTC-3604581	271.98
	3604560		Bushing	85 mm		CTC-1140756	54.86
	3852915		P-UB-14	85 mm	120 mm	CTC-3852942	242.44
	3852915		Bushing	85 mm		CTC-3852934	51.37

REPLACEMENT KITS FOR CATERPILLAR® EQUIPMENT

Excavators							
APPLICATION	CYL #	Misc-Parts, Instructions, etc.	CODE	ROD	BORE	KIT #	List \$
MODEL 316E L							
TRACK ADJUSTER							
DZW1-UP; WZY1-UP; YZZ1-UP							
	2979191		TRK ADJ			CTC-SK100162	90.00
MODEL 316F L							
BOOM							
ECZ1-UP; XAD1-UP; YDL1-UP							
	3852913		P-UB-14	80 mm	110 mm	CTC-3852908	265.22
	3852913		Bushing	80 mm		CTC-3852900	46.27
BOOM VAR ADJ							
ECZ1-UP							
	1847660		P-UB-10	85 mm	140 mm	CTC-3808347	298.58
	1847660		Bushing	85 mm		CTC-1140756	54.86
BUCKET							
ECZ1-UP; XAD1-UP; YDL1-UP							
	3678623		P-UB-10	80 mm	110 mm	CTC-3604582	192.60
	3678623		Bushing	80 mm		CTC-1140755	50.30
	3852917		P-UB-14	80 mm	110 mm	CTC-3852946	209.09
	3852917		Bushing	80 mm		CTC-3852900	46.27
BUCKET LH							
ECZ1-UP; YDL1-UP							
	4699342	Head 3234218	I-U-10	50 mm	80 mm	CTC-3240356	130.67
	4699342	Head 4914780	P-U-10	50 mm	80 mm	CTC-5016702	122.41
BUCKET RH							
ECZ1-UP; YDL1-UP							
	4699353	Head 3234218	I-U-10	50 mm	80 mm	CTC-3240356	130.67
	4699353	Head 4914780	P-U-10	50 mm	80 mm	CTC-5016702	122.41
COUPLER							
ECZ1-UP							
	1690329		I-U-5	40 mm	60 mm	CTC-2027897	66.15
YDL1-UP							
	2569795		I-U-10	50 mm	70 mm	CTC-1728487	87.21
	3052017		P-U-10,12	1-3/4	3	CTC-3465609	62.49
STICK							
ECZ1-UP; XAD1-UP; YDL1-UP							
	3852915		P-UB-14	85 mm	120 mm	CTC-3852942	242.44
	3852915		Bushing	85 mm		CTC-3852934	51.37
	5397995		P-UB-14	85 mm	120 mm	CTC-3852942	242.44
	5397995		Bushing	85 mm		CTC-3852934	51.37
TRACK ADJUSTER							
ECZ1-20000; XAD1-20000; YDL1-20000							
	2979191		TRK ADJ			CTC-SK100162	90.00
ECZ20001-UP; XAD20001-UP; YDL20001-UP							
	5246326		TRK ADJ			CTC-SK100162	90.00
MODEL 317							
BOOM							
	1057336		P-UB-10	80 mm	110 mm	CTC-1057359	392.20
	1276046		P-UB-10	80 mm	110 mm	CTC-1057359	392.20
BUCKET							
	1057381		P-UB-10	70 mm	100 mm	CTC-1057397	324.39
	1076640		P-UB-10	80 mm	110 mm	CTC-1057359	392.20
	1276056		P-UB-10	70 mm	100 mm	CTC-1057397	324.39
	1276060		P-UB-10	80 mm	110 mm	CTC-1057359	392.20
STICK							
	1057362		P-UB-10	85 mm	120 mm	CTC-1057379	414.65
	1276051		P-UB-10	85 mm	120 mm	CTC-1057379	414.65
	1624672		P-UB-10	85 mm	120 mm	CTC-1624676	166.35

REPLACEMENT KITS FOR CATERPILLAR® EQUIPMENT

Excavators							
APPLICATION	CYL #	Misc-Parts, Instructions, etc.	CODE	ROD	BORE	KIT #	List \$
MODEL 317B, 317BL							
BOOM							
	1336630	Piston - C 1276047	P-UB-10	80 mm	110 mm	CTC-1336646	396.43
	1336630		Bushing	80 mm		CTC-1140755	50.30
	1559251		P-UB-10	80 mm	110 mm	CTC-1659420	222.47
BUCKET							
	1336636	Piston - C 1336687	P-UB-10	70 mm	100 mm	CTC-1336691	344.15
	1336636		Bushing	70 mm		CTC-1140753	43.69
	1559255		P-UB-10	70 mm	100 mm	CTC-1709827	175.45
5SW							
	1336639		P-UB-10	80 mm	110 mm	CTC-1336646	396.43
STICK							
	1336633	Piston - C 1276052	P-UB-10	85 mm	120 mm	CTC-1184131	399.75
	1336633		Bushing	85 mm		CTC-1140756	54.86
UNSPECIFIED APPLICATION							
	1588923		P-UB-10	80 mm	110 mm	CTC-1659420	222.47
MODEL 317N							
BOOM							
	1057336		P-UB-10	80 mm	110 mm	CTC-1057359	392.20
BUCKET							
	1057381		P-UB-10	70 mm	100 mm	CTC-1057397	324.39
	1076640		P-UB-10	80 mm	110 mm	CTC-1057359	392.20
STICK							
	1057362		P-UB-10	85 mm	120 mm	CTC-1057379	414.65
MODEL 318B, 318BL							
BOOM							
	1475755		P-UB-10	85 mm	120 mm	CTC-1373763	591.59
BUCKET							
	1183967		P-UB-10	85 mm	120 mm	CTC-1261947	553.74
	1184134		P-UB-10	85 mm	120 mm	CTC-1184131	399.75
	1475763		P-UB-10	80 mm	110 mm	CTC-1659420	222.47
STICK							
	1475760		P-UB-10	95 mm	130 mm	CTC-1659419	361.73
MODEL 318C							
BOOM							
	FAA1-UP; BTG1-UP; DAH1-UP						
	1842614		P-UB-10	95 mm	160 mm	CTC-2521191	312.45
	1948407		P-UB-10	85 mm	120 mm	CTC-1799634	223.67
BUCKET							
	BTG1-UP; DAH1-UP						
	2836132		P-UB-10	85 mm	120 mm	CTC-2366368	175.29
	BTG475-UP; DAH1136-UP						
	2836130		P-UB-10	80 mm	110 mm	CTC-1799625	402.75
	FAA1-1135; BTG1-474; DAH1-UP						
	1948413		P-UB-10	80 mm	110 mm	CTC-1799625	402.75
	FAA1-UP; BTG1-UP; DAH1-UP						
	1589061		P-U-10	85 mm	120 mm	CTC-2366389	175.29
COUPLER							
	FAA1-UP; BTG1-UP; DAH1-UP						
	1690329		I-U-5	40 mm	60 mm	CTC-2027897	66.15
STICK							
	FAA1-UP; BTG1-UP; DAH1-UP						
	1948410		P-UB-10	95 mm	130 mm	CTC-2159984	173.70
MODEL 318C L							
BOOM							
	GPA1-UP; MDY1-UP						
	1948416		P-UB-10	85 mm	120 mm	CTC-2478998	260.51

REPLACEMENT KITS FOR CATERPILLAR® EQUIPMENT

Excavators							
APPLICATION	CYL #	Misc-Parts, Instructions, etc.	CODE	ROD	BORE	KIT #	List \$
MODEL 318C L							
BUCKET							
GPA1-UP; MDY1-UP							
	2003220		P-UB-10	80 mm	110 mm	CTC-2478995	233.95
	2043689		P-UB-10	85 mm	120 mm	CTC-2479001	237.10
COUPLER							
GPA1-UP; MDY1-UP							
	1728402		I-U-10	50 mm	70 mm	CTC-1728487	87.21
STICK							
GPA1-UP; MDY1-UP							
	1949418		P-UB-10	95 mm	130 mm	CTC-2590630	268.40
MODEL 318C LN							
BOOM							
GPA1-UP; MDY1-UP							
	1948416		P-UB-10	85 mm	120 mm	CTC-2478998	260.51
BUCKET							
GPA1-UP; MDY1-UP							
	2003220		P-UB-10	80 mm	110 mm	CTC-2478995	233.95
	2043689		P-UB-10	85 mm	120 mm	CTC-2479001	237.10
COUPLER							
GPA1-UP; MDY1-UP							
	1728402		I-U-10	50 mm	70 mm	CTC-1728487	87.21
STICK							
GPA1-UP; MDY1-UP							
	1949418		P-UB-10	95 mm	130 mm	CTC-2590630	268.40
MODEL 320							
BOOM							
	0875491		P-UB-10	85 mm	120 mm	CTC-413665	500.78
	0875496		P-UB-10	85 mm	120 mm	CTC-0875394	414.00
	0875496		P-UB-10	85 mm	120 mm	CTC-1184131	399.75
	1069596		P-UB-10	95 mm	160 mm	CTC-6C6091	538.84
BOOM VA							
	6C6085		P-UB-10	95 mm	160 mm	CTC-6C6091	538.84
BUCKET							
	0874899		P-UB-10	85 mm	120 mm	CTC-1186023	426.08
	0875633		P-UB-10	85 mm	120 mm	CTC-0875394	414.00
	0875633		P-UB-10	85 mm	120 mm	CTC-1184131	399.75
	1185931		P-UB-10	85 mm	120 mm	CTC-1186023	426.08
	1251547		P-UB-10	65 mm	100 mm	CTC-418914	326.98
	1346987		P-UB-10	65 mm	100 mm	CTC-1764935	354.00
	417652		P-UB-10	65 mm	100 mm	CTC-417664	327.13
	418840		P-UB-10	65 mm	100 mm	CTC-418914	326.98
	717291		P-UB-10	85 mm	130 mm	CTC-7Y5145	427.56
	7Y5100		P-UB-10	85 mm	130 mm	CTC-7Y5145	427.56
STICK							
	0875422		P-UB-10	100 mm	140 mm	CTC-0875387	546.61
	0875493		P-UB-10	100 mm	140 mm	CTC-1270630	517.42
	0876638		P-UB-10	100 mm	140 mm	CTC-0875387	546.61
	7Y4650		P-UB-10	105 mm	150 mm	CTC-1163612	482.77
UNSPECIFIED APPLICATION							
	0874898		P-UB-10	100 mm	140 mm	CTC-1597774	241.80
MODEL 320 GC							
BOOM							
BR41-UP; DKJ1-UP; EBZ1-UP; JGY1-UP; KHJ1-UP; KTN1-UP; LKS1-UP; RGJ1-UP; RSF1-UP; XBJ1-UP; YTF1-UP; ZBT1-UP							
	5109212		P-UB-10	85 mm	120 mm	CTC-4560197	216.42
	5109212		Bushing	85 mm		CTC-0964402	51.37

CATERPILLAR®

REPLACEMENT KITS FOR CATERPILLAR® EQUIPMENT

Excavators							
APPLICATION	CYL #	Misc-Parts, Instructions, etc.	CODE	ROD	BORE	KIT #	List \$
MODEL 320 GC							
BOOM							
DKJ1-UP; KHJ1-UP							
5234008			P-UB-10	85 mm	120 mm	CTC-4642931	319.82
5234008			Bushing	85 mm		CTC-0964402	51.37
YTF1-UP							
5433884		Variable Adjustable Boom	P-UB-14	95 mm	160 mm	CTC-5542902	455.14
5433884		Variable Adjustable Boom	Bushing	95 mm		CTC-3852931	54.60
BUCKET							
BR41-UP; DKJ1-UP; EBZ1-UP; JGY1-UP; KTN1-UP; LKS1-UP; RGJ1-UP; XBJ1-UP; ZBT1-UP							
4904177			P-UB-10	80 mm	115 mm	CTC-5197656	188.72
4904177			Bushing	80 kmm		CTC-1505839	47.66
DKJ1-UP							
5234013			P-UB-10	80 mm	115 mm	CTC-5277766	194.94
5234013			Bushing	80 kmm		CTC-1505839	47.66
KHJ1-UP							
5234012			P-UB-10	85 mm	120 mm	CTC-4642932	289.84
5234012			Bushing	85 mm		CTC-0964402	51.37
KHJ1-UP; KTN1-UP; YTF1-UP							
4904180			P-UB-10	85 mm	120 mm	CTC-4560207	210.47
4904180			Bushing	85 mm		CTC-0964402	51.37
COUPLER							
BR41-UP; KHJ1-UP; YTF1-UP							
3909505			I-U-10	1-1/2	2-1/2	CTC-4536523	24.49
3909505			Chk Vlv Kit			CTC-2138433	19.97
DKJ1-UP; KHJ1-UP; XBJ1-UP; YTF1-UP							
2948011			P-U-10,12	2	3-1/2	CTC-3460643	70.28
KTN1-UP							
1690329			I-U-5	40 mm	60 mm	CTC-2027897	66.15
STICK							
BR41-UP; DKJ1-UP; EBZ1-UP; JGY1-UP; KTN1-UP; LKS1-UP; RGJ1-UP; RSF1-UP; XBJ1-UP; ZBT1-UP							
5863629		kit does not include cushion rings	P-UB-10	95 mm	135 mm	CTC-4560209	249.96
5863629		kit includes cushion rings	P-UB-10	95 mm	135 mm	CTC-5197601	240.56
5863629			Bushing	95 mm		CTC-0964430	55.81
BR41-UP; DKJ1-UP; JGY1-UP; KTN1-UP; LKS1-UP; XBJ1-UP; ZBT1-1							
4904140			P-UB-10	95 mm	135 mm	CTC-5197601	240.56
4904140			Bushing	95 mm		CTC-0964430	55.81
DKJ1-UP							
5863635			P-UB-10	95 mm	135 mm	CTC-4642935	266.19
5863635			Bushing	95 mm		CTC-0964430	55.81
KHJ1-UP							
5863644			P-UB-10	100 mm	140 mm	CTC-4642937	284.54
5863644			Bushing	100 mm		CTC-0965625	76.50
KHJ1-UP; YTF1-UP							
5863638			P-UB-10	100 mm	140 mm	CTC-5261958	287.41
5863638			Bushing	100 mm		CTC-0965625	76.50
KTN1-UP							
4904144			P-UB-10	100 mm	140 mm	CTC-5261958	287.41
4904144			Bushing	100 mm		CTC-0965625	76.50

REPLACEMENT KITS FOR CATERPILLAR® EQUIPMENT

Excavators							
APPLICATION	CYL #	Misc-Parts, Instructions, etc.	CODE	ROD	BORE	KIT #	List \$
MODEL 320B, 320BL							
BOOM							
	1183953		P-UB-10	100 mm	140 mm	CTC-1373764	516.32
	1183955		P-UB-10	100 mm	140 mm	CTC-1373764	516.32
	1184023		P-UB-10	85 mm	120 mm	CTC-1373763	591.59
	1184128		P-UB-10	85 mm	120 mm	CTC-1184131	399.75
	1195425		P-UB-10	75 mm	110 mm	CTC-1195435	472.67
	1232081		P-UB-10	105 mm	150 mm	CTC-1373767	670.05
	1336770		P-UB-10	100 mm	140 mm	CTC-1336823	513.76
	1589058		P-UB-10	85 mm	120 mm	CTC-1589092	291.76
	1842614		P-UB-10	95 mm	160 mm	CTC-1884457	350.89
BUCKET							
	1183967		P-UB-10	85 mm	120 mm	CTC-1261947	553.74
	1184134		P-UB-10	85 mm	120 mm	CTC-1184131	399.75
	1195447		P-UB-10	65 mm	100 mm	CTC-1195457	336.61
	1232044		P-UB-10	90 mm	130 mm	CTC-1764914	227.00
	1232084		P-UB-10	90 mm	130 mm	CTC-1373768	704.71
	1251547		P-UB-10	65 mm	100 mm	CTC-418914	326.98
	1346987		P-UB-10	65 mm	100 mm	CTC-1764935	354.00
	1475780		P-UB-10	85 mm	125 mm	CTC-1475781	460.14
	1540756		P-UB-10	90 mm	130 mm	CTC-1540757	717.34
	1589061		P-UB-10	85 mm	120 mm	CTC-1589092	291.76
	1799764		P-UB-10	90 mm	130 mm	CTC-1799772	330.77
	417652		P-UB-10	65 mm	100 mm	CTC-417664	327.13
	418840		P-UB-10	65 mm	100 mm	CTC-418914	326.98
STICK							
	1184000		P-UB-10	105 mm	150 mm	CTC-1680758	542.65
	1232081		P-UB-10	105 mm	150 mm	CTC-1373767	670.05
	1412609		P-UB-10	95 mm	160 mm	CTC-1855574	302.44
	1589059		P-UB-10	100 mm	140 mm	CTC-1589093	196.01
	1589060		P-UB-10	100 mm	140 mm	CTC-1589093	196.01
TILT CAB							
	N/A		P-UB-10	2-1/4	5	CTC-9X6392	255.99
UNSPECIFIED APPLICATION							
	1336771		P-UB-10	105 mm	150 mm	CTC-1373767	670.05
	1336812		P-UB-10	90 mm	130 mm	CTC-1373768	704.71
	1336866		P-UB-10	100 mm	140 mm	CTC-1373661	238.59
	1336867		P-UB-10	100 mm	140 mm	CTC-1373661	238.59
	1540727		P-UB-10	85 mm	120 mm	CTC-1540728	780.29
	1540743		P-UB-10	85 mm	120 mm	CTC-1540744	707.48
	1540772		P-UB-10	90 mm	130 mm	CTC-1540773	716.85
MODEL 320C							
BOOM							
	AMC1-UP; ANB1-UP; BBC1-UP; BDC1-UP; BEF1-UP; BER1-UP; BPR1-UP; BRXI-UP						
	1588991		P-UB-10	85 mm	120 mm	CTC-1373763	591.59
	1588991		Bushing	85 mm		CTC-0964402	51.37
	AMC1-UP; ANB1-UP; BDC1-UP; BER1-UP; BPR1-UP; BRXI-UP; GNG1-UP; HKT1-UP; MAB1-UP; PAB1-UP; RAW1-UP; SBN1-UP						
	2043614		P-UB-10	85 mm	120 mm	CTC-2478998	260.51
	2043614		Bushing	85 mm		CTC-0964402	51.37
	AMC1-UP; ANB1-UP; GHA1-UP; GNG1-UP; HBC1-UP; HKT1-UP; MAB1-UP; PAB1-UP						
	1850340		P-UB-10	85 mm	120 mm	CTC-2478996	260.51
	1850340		Bushing	85 mm		CTC-0964402	51.37
	AMC1-UP; ANB1-UP; MAB1-UP; PAB1-UP						
	2043616		P-UB-10	100 mm	140 mm	CTC-2590633	246.59
	2043616		Bushing	100 mm		CTC-0965625	76.50
	2590702		P-UB-10	100 mm	140 mm	CTC-2590699	246.59
	2590702		Bushing	100 mm		CTC-0965625	76.50

REPLACEMENT KITS FOR CATERPILLAR® EQUIPMENT

Excavators							
APPLICATION	CYL #	Misc-Parts, Instructions, etc.	CODE	ROD	BORE	KIT #	List \$
MODEL 320C							
BOOM							
AXK1-UP							
1842614			P-UB-10	95 mm	160 mm	CTC-2521191	312.45
1842614			Bushing	95 mm		CTC-6C6093	70.66
AXK1-UP; BBE1-UP; BBL1-UP; BCN1-UP; BDC1-UP; BEA1-UP; BER1-UP; DBG1-UP; GLA1-UP; JTG1-UP							
1589058			P-UB-10	85 mm	120 mm	CTC-2366368	175.29
1589058			Bushing	85 mm		CTC-1140756	54.86
BBC1-UP; BCB1-UP; BEF1-UP							
2043614			P-UB-10	85 mm	120 mm	CTC-2043625	381.12
2043614			Bushing	85 mm		CTC-0964402	51.37
BBE1-UP; BBL1-UP; BCN1-UP; BEA1-UP; DBG1-UP; GLA1-UP; JTG1-UP							
1842614			P-UB-10	95 mm	160 mm	CTC-2521191	312.45
1842614			Bushing	95 mm		CTC-6C6093	70.66
BDC1-UP; BER1-UP							
1232081			P-UB-10	105 mm	150 mm	CTC-1373767	670.05
1232081			Bushing	105 mm		CTC-0995572	65.80
BDC1-UP; BER1-UP; RAW1-UP; SBN1-UP							
2043616			P-UB-10	100 mm	140 mm	CTC-2043626	302.78
2043616			Bushing	100 mm		CTC-0965625	76.50
MAB1-UP; PAB1-UP							
2742510			P-UB-10	85 mm	120 mm	CTC-2742511	188.30
2742510			Bushing	85 mm		CTC-1140756	54.86
RAW1-UP; SBN1-UP							
1589058			P-UB-10	85 mm	120 mm	CTC-1589092	291.76
1589058			Bushing	85 mm		CTC-1140756	54.86
BUCKET							
ALF1-UP; BCB1-UP; BDC1-UP; BER1-UP							
1346987			P-UB-10	65 mm	100 mm	CTC-1764935	354.00
1346987			Bushing	65 mm		CTC-1140754	38.00
AMC1-UP; ANB1-UP							
1588995			P-UB-10	100 mm	140 mm	CTC-1373764	516.32
1588995			Bushing	100 mm		CTC-0965625	76.50
2043618			P-UB-10	85 mm	125 mm	CTC-2479005	240.76
2043618			Bushing	85 mm		CTC-0964402	51.37
2836132			P-UB-10	85 mm	120 mm	CTC-2366368	175.29
2836132			Bushing	85 mm		CTC-1140756	54.86
AMC1-UP; ANB1-UP; AXK1-UP; BBE1-UP; BBL1-UP; BCN1-UP; BEA1-UP; DBG1-UP; GLA1-UP; JTG1-UP							
1589061			P-U-10	85 mm	120 mm	CTC-2366389	175.29
1589061			Bushing	85 mm		CTC-1140756	54.86
AMC1-UP; ANB1-UP; BBC1-UP; BCB1-UP; BEF1-UP; BPR1-UP; BRXI-UP; RAW1-UP; SBN1-UP							
2043617			P-UB-10	85 mm	120 mm	CTC-2043627	223.74
2043617			Bushing	85 mm		CTC-0964402	51.37
AMC1-UP; ANB1-UP; BBC1-UP; BEF1-UP							
1589088			P-UB-10	85 mm	125 mm	CTC-1850223	265.12
1589088			Bushing	85 mm		CTC-0964402	51.37
AMC1-UP; ANB1-UP; BPR1-UP; BRXI-UP; GNG1-UP; HKT1-UP; MAB1-UP; PAB1-UP							
2043689			P-UB-10	85 mm	120 mm	CTC-2479001	237.10
2043689			Bushing	85 mm		CTC-0964402	51.37
AMC1-UP; ANB1-UP; GHA1-UP; GNG1-UP; HBC1-UP; HKT1-UP; MAB1-UP; PAB1-UP							
1799793			P-UB-10	90 mm	130 mm	CTC-2590626	224.45
1799793			Bushing	90 mm		CTC-1052575	49.56
2043696			P-UB-10	85 mm	120 mm	CTC-2479000	237.10
2043696			Bushing	85 mm		CTC-0964402	51.37
AMC1-UP; ANB1-UP; GHA1-UP; HBC1-UP							
1850346			P-UB-10	85 mm	120 mm	CTC-1540744	707.48
1850346			Bushing	85 mm		CTC-0964402	51.37

REPLACEMENT KITS FOR CATERPILLAR® EQUIPMENT

Excavators							
APPLICATION	CYL #	Misc-Parts, Instructions, etc.	CODE	ROD	BORE	KIT #	List \$
MODEL 320C							
BUCKET							
AMC1-UP; ANB1-UP; MAB1-UP; PAB1-UP							
2096011			P-UB-10	90 mm	130 mm	CTC-2590627	224.45
2096011			Bushing	90 mm		CTC-1052575	49.56
2590694			P-UB-10	85 mm	120 mm	CTC-2590695	260.51
2590694			Bushing	85 mm		CTC-0964402	51.37
2590698			P-UB-10	100 mm	140 mm	CTC-2590699	246.59
2590698			Bushing	100 mm		CTC-0965625	76.50
2590705			P-UB-10	85 mm	120 mm	CTC-2590706	237.10
2590705			Bushing	85 mm		CTC-0964402	51.37
2590732			P-UB-10	90 mm	130 mm	CTC-2590719	227.16
2590732			Bushing	90 mm		CTC-1052575	49.56
AMC1-UP; ANB1-UP; RAW1-UP; SBN1-UP							
1588999			P-UB-10	90 mm	130 mm	CTC-1850196	264.20
1588999			Bushing	90 mm		CTC-1052575	49.56
AXK1-UP							
1799764			P-UB-10	90 mm	130 mm	CTC-2159986	200.07
1799764			Bushing	90 mm		CTC-1140758	63.28
BBC1-UP; BCB1-UP; BEF1-UP							
2043618			P-UB-10	85 mm	125 mm	CTC-2043628	240.76
2043618			Bushing	85 mm		CTC-0964402	51.37
BBE1-UP; BBL1-UP; BCN1-UP; BEA1-UP; DBG1-UP; GLA1-UP; JTG1-UP							
1799764			P-UB-10	90 mm	130 mm	CTC-2159986	200.07
1799764			Bushing	90 mm		CTC-1140758	63.28
2836132			P-UB-10	85 mm	120 mm	CTC-2366368	175.29
2836132			Bushing	85 mm		CTC-1140756	54.86
BCB1-UP							
2043689			P-UB-10	85 mm	120 mm	CTC-2043692	237.10
2043689			Bushing	85 mm		CTC-0964402	51.37
2096011			P-UB-10	90 mm	130 mm	CTC-2043630	404.95
2096011			Bushing	90 mm		CTC-1052575	49.56
BDC1-UP; BER1-UP; RAW1-UP; SBN1-UP							
1589061			P-UB-10	85 mm	120 mm	CTC-1589092	291.76
1589061			Bushing	85 mm		CTC-1140756	54.86
1799764			P-UB-10	90 mm	130 mm	CTC-1799772	330.77
1799764			Bushing	90 mm		CTC-1140758	63.28
BPR1-UP; BRXI-UP							
1588997			P-UB-10	85 mm	120 mm	CTC-1261947	553.74
1588997			Bushing	85 mm		CTC-0964402	51.37
MAB1-UP; PAB1-UP							
2742521			P-UB-10	85 mm	120 mm	CTC-2742511	188.30
2742521			Bushing	85 mm		CTC-1140756	54.86
COUPLER							
AMC1-UP; ANB1-UP; BDC1-UP; BER1-UP; MAB1-UP; PAB1-UP							
1728402			I-U-10	50 mm	70 mm	CTC-1728487	87.21
STICK							
AMC1-UP; ANB1-UP; BBC1-UP; BCB1-UP; BEF1-UP; MAB1-UP; PAB1-UP							
2043615			P-UB-10	100 mm	140 mm	CTC-2043626	302.78
2043615			Bushing	100 mm		CTC-0965625	76.50
AMC1-UP; ANB1-UP; BBC1-UP; BEF1-UP; BPR1-UP; BRXI-UP; RAW1-UP; SBN1-UP							
1588993			P-UB-10	100 mm	140 mm	CTC-1373764	516.32
1588993			Bushing	100 mm		CTC-0965625	76.50
AMC1-UP; ANB1-UP; BPR1-UP; BRXI-UP; GNG1-UP; HKT1-UP; MAB1-UP; PAB1-UP							
2144500			P-UB-10	100 mm	140 mm	CTC-2590635	246.59
2144500			Bushing	100 mm		CTC-0965625	76.50

REPLACEMENT KITS FOR CATERPILLAR® EQUIPMENT

Excavators							
APPLICATION	CYL #	Misc-Parts, Instructions, etc.	CODE	ROD	BORE	KIT #	List \$
MODEL 320C							
STICK							
AMC1-UP; ANB1-UP; GHA1-UP; GNG1-UP; HBC1-UP; HKT1-UP; MAB1-UP; PAB1-UP							
1850342			P-UB-10	100 mm	140 mm	CTC-2590631	246.59
1850342			Bushing	100 mm		CTC-0965625	76.50
1850344			P-UB-10	100 mm	140 mm	CTC-2590631	246.59
1850344			Bushing	100 mm		CTC-0965625	76.50
AXK1-UP							
1589059			P-UB-10	100 mm	140 mm	CTC-2159985	196.01
1589059			Bushing	100 mm		CTC-1140757	77.11
AXK1-UP; BBE1-UP; BBL1-UP; BCN1-UP; BEA1-UP; DBG1-UP; GLA1-UP; JTG1-UP							
1589060			P-UB-10	100 mm	140 mm	CTC-2159985	196.01
1589060			Bushing	100 mm		CTC-1140757	77.11
BBC1-UP; BCB1-UP; BEF1-UP							
2144500			P-UB-10	100 mm	140 mm	CTC-2144502	246.59
2144500			Bushing	100 mm		CTC-0965625	76.50
BBE1-UP; BBL1-UP; BCN1-UP; BEA1-UP; DBG1-UP; GLA1-UP; JTG1-UP							
1589059			P-UB-10	100 mm	140 mm	CTC-2095874	406.41
1589059			Bushing	100 mm		CTC-1140757	77.11
BCB1-UP							
1232081			P-UB-10	105 mm	150 mm	CTC-1373767	670.05
1232081			Bushing	105 mm		CTC-0995572	65.80
2043616			P-UB-10	100 mm	140 mm	CTC-2043616	246.59
2043616			Bushing	100 mm		CTC-0965625	76.50
BDC1-UP; BER1-UP; RAW1-UP; SBN1-UP							
1589059			P-UB-10	100 mm	140 mm	CTC-2159985	196.01
1589059			Bushing	100 mm		CTC-1140757	77.11
1589060			P-UB-10	100 mm	140 mm	CTC-2095874	406.41
1589060			Bushing	100 mm		CTC-1140757	77.11
BPR1-UP; BRX1-UP; GNG1-UP; HKT1-UP							
2043615			P-UB-10	100 mm	140 mm	CTC-2590633	246.59
2043615			Bushing	100 mm		CTC-0965625	76.50
MAB1-UP; PAB1-UP							
2742514			P-UB-10	100 mm	140 mm	CTC-2742515	270.97
2742514			Bushing	100 mm		CTC-1140757	77.11
RAW1-UP; SBN1-UP							
2043615			P-UB-10	100 mm	140 mm	CTC-1373764	516.32
2043615			Bushing	100 mm		CTC-0965625	76.50
UNSPECIFIED APPLICATION							
AKH1-UP; ALF1-UP							
1980648			I-U-10	45 mm	60 mm	CTC-1980648K	74.91
MODEL 320C L							
BOOM							
AMC1-UP; ANB1-UP; BBC1-UP; BDC1-UP; BEF1-UP; BER1-UP; BPR1-UP; BRX1-UP							
1588991			P-UB-10	85 mm	120 mm	CTC-1373763	591.59
1588991			Bushing	85 mm		CTC-0964402	51.37
AMC1-UP; ANB1-UP; BDC1-UP; BER1-UP; BPR1-UP; BRX1-UP; EAG1-UP; GNG1-UP; HKT1-UP; MAB1-UP; PAB1-UP; RAW1-UP; SBN1-UP							
2043614			P-UB-10	85 mm	120 mm	CTC-2478998	260.51
2043614			Bushing	85 mm		CTC-0964402	51.37
AMC1-UP; ANB1-UP; GHA1-UP; GNG1-UP; HBC1-UP; HKT1-UP; MAB1-UP; PAB1-UP							
1850340			P-UB-10	85 mm	120 mm	CTC-2478996	260.51
1850340			Bushing	85 mm		CTC-0964402	51.37
AMC1-UP; ANB1-UP; MAB1-UP; PAB1-UP							
2043616			P-UB-10	100 mm	140 mm	CTC-2590633	246.59
2043616			Bushing	100 mm		CTC-0965625	76.50
2590702			P-UB-10	100 mm	140 mm	CTC-2590699	246.59
2590702			Bushing	100 mm		CTC-0965625	76.50

CATERPILLAR®

REPLACEMENT KITS FOR CATERPILLAR® EQUIPMENT

Excavators							
APPLICATION	CYL #	Misc-Parts, Instructions, etc.	CODE	ROD	BORE	KIT #	List \$
MODEL 320C L							
BOOM							
AXK1-UP							
1842614			P-UB-10	95 mm	160 mm	CTC-2521191	312.45
1842614			Bushing	95 mm		CTC-6C6093	70.66
AXK1-UP; BBE1-UP; BBL1-UP; BCN1-UP; BDC1-UP; BEA1-UP; BER1-UP; DBG1-UP; GLA1-UP; JTG1-UP							
1589058			P-UB-10	85 mm	120 mm	CTC-2366368	175.29
1589058			Bushing	85 mm		CTC-1140756	54.86
BBC1-UP; BCB1-UP; BEF1-UP							
2043614			P-UB-10	85 mm	120 mm	CTC-2043625	381.12
2043614			Bushing	85 mm		CTC-0964402	51.37
BBE1-UP; BBL1-UP; BCN1-UP; BEA1-UP; DBG1-UP; GLA1-UP; JTG1-UP							
1842614			P-UB-10	95 mm	160 mm	CTC-2521191	312.45
1842614			Bushing	95 mm		CTC-6C6093	70.66
BDC1-UP; BER1-UP							
1232081			P-UB-10	105 mm	150 mm	CTC-1373767	670.05
1232081			Bushing	105 mm		CTC-0995572	65.80
BDC1-UP; BER1-UP; RAW1-UP; SBN1-UP							
2043616			P-UB-10	100 mm	140 mm	CTC-2043626	302.78
2043616			Bushing	100 mm		CTC-0965625	76.50
MAB1-UP; PAB1-UP							
2742510			P-UB-10	85 mm	120 mm	CTC-2742511	188.30
2742510			Bushing	85 mm		CTC-1140756	54.86
RAW1-UP; SBN1-UP							
1589058			P-UB-10	85 mm	120 mm	CTC-1589092	291.76
1589058			Bushing	85 mm		CTC-1140756	54.86
BUCKET							
ALF1-UP; BCB1-UP; BDC1-UP; BER1-UP							
1346987			P-UB-10	65 mm	100 mm	CTC-1764935	354.00
1346987			Bushing	65 mm		CTC-1140754	38.00
AMC1-UP; ANB1-UP							
1588995			P-UB-10	100 mm	140 mm	CTC-1373764	516.32
1588995			Bushing	100 mm		CTC-0965625	76.50
2043618			P-UB-10	85 mm	125 mm	CTC-2479005	240.76
2043618			Bushing	85 mm		CTC-0964402	51.37
2590705			P-UB-10	85 mm	120 mm	CTC-2590706	237.10
2590705			Bushing	85 mm		CTC-0964402	51.37
2836132			P-UB-10	85 mm	120 mm	CTC-2366368	175.29
2836132			Bushing	85 mm		CTC-1140756	54.86
AMC1-UP; ANB1-UP; AXK1-UP; BBE1-UP; BBL1-UP; BCN1-UP; BEA1-UP; DBG1-UP; GLA1-UP; JTG1-UP							
1589061			P-U-10	85 mm	120 mm	CTC-2366389	175.29
1589061			Bushing	85 mm		CTC-1140756	54.86
AMC1-UP; ANB1-UP; BBC1-UP; BEF1-UP							
1589088			P-UB-10	85 mm	125 mm	CTC-1850223	265.12
1589088			Bushing	85 mm		CTC-0964402	51.37
AMC1-UP; ANB1-UP; BCB1-UP; BPR1-UP; BRX1-UP; RAW1-UP; SBN1-UP							
2043617			P-UB-10	85 mm	120 mm	CTC-2043627	223.74
2043617			Bushing	85 mm		CTC-0964402	51.37
AMC1-UP; ANB1-UP; BPR1-UP; BRX1-UP; EAG1-UP; GNG1-UP; HKT1-UP; MAB1-UP; PAB1-UP							
2043689			P-UB-10	85 mm	120 mm	CTC-2479001	237.10
2043689			Bushing	85 mm		CTC-0964402	51.37
AMC1-UP; ANB1-UP; GHA1-UP; GNG1-UP; HBC1-UP; HKT1-UP; MAB1-UP; PAB1-UP							
1799793			P-UB-10	90 mm	130 mm	CTC-2590626	224.45
1799793			Bushing	90 mm		CTC-1052575	49.56
2043696			P-UB-10	85 mm	120 mm	CTC-2479000	237.10
2043696			Bushing	85 mm		CTC-0964402	51.37

REPLACEMENT KITS FOR CATERPILLAR® EQUIPMENT

Excavators							
APPLICATION	CYL #	Misc-Parts, Instructions, etc.	CODE	ROD	BORE	KIT #	List \$
MODEL 320C L							
BUCKET							
AMC1-UP; ANB1-UP; GHA1-UP; HBC1-UP							
1850346			P-UB-10	85 mm	120 mm	CTC-1540744	707.48
1850346			Bushing	85 mm		CTC-0964402	51.37
AMC1-UP; ANB1-UP; MAB1-UP; PAB1-UP							
2096011			P-UB-10	90 mm	130 mm	CTC-2590627	224.45
2096011			Bushing	90 mm		CTC-1052575	49.56
2590694			P-UB-10	85 mm	120 mm	CTC-2590695	260.51
2590694			Bushing	85 mm		CTC-0964402	51.37
2590698			P-UB-10	100 mm	140 mm	CTC-2590699	246.59
2590698			Bushing	100 mm		CTC-0965625	76.50
2590732			P-UB-10	90 mm	130 mm	CTC-2590719	227.16
2590732			Bushing	90 mm		CTC-1052575	49.56
AMC1-UP; ANB1-UP; RAW1-UP; SBN1-UP							
1588999			P-UB-10	90 mm	130 mm	CTC-1850196	264.20
1588999			Bushing	90 mm		CTC-1052575	49.56
AXK1-UP							
1799764			P-UB-10	90 mm	130 mm	CTC-2159986	200.07
1799764			Bushing	90 mm		CTC-1140758	63.28
BBC1-UP; BCB1-UP; BEF1-UP							
2043618			P-UB-10	85 mm	125 mm	CTC-2043628	240.76
2043618			Bushing	85 mm		CTC-0964402	51.37
BBC1-UP; BEF1-UP							
2043617			P-UB-10	85 mm	120 mm	CTC-2043627	223.74
2043617			Bushing	85 mm		CTC-0964402	51.37
BBE1-UP; BBL1-UP; BCN1-UP; BEA1-UP; DBG1-UP; GLA1-UP; JTG1-UP							
1799764			P-UB-10	90 mm	130 mm	CTC-2159986	200.07
1799764			Bushing	90 mm		CTC-1140758	63.28
2836132			P-UB-10	85 mm	120 mm	CTC-2366368	175.29
2836132			Bushing	85 mm		CTC-1140756	54.86
BCB1-UP							
2043689			P-UB-10	85 mm	120 mm	CTC-2043692	237.10
2043689			Bushing	85 mm		CTC-0964402	51.37
2096011			P-UB-10	90 mm	130 mm	CTC-2043630	404.95
2096011			Bushing	90 mm		CTC-1052575	49.56
BDC1-UP; BER1-UP; RAW1-UP; SBN1-UP							
1589061			P-UB-10	85 mm	120 mm	CTC-1589092	291.76
1589061			Bushing	85 mm		CTC-1140756	54.86
1799764			P-UB-10	90 mm	130 mm	CTC-1799772	330.77
1799764			Bushing	90 mm		CTC-1140758	63.28
BPR1-UP; BRXI-UP							
1588997			P-UB-10	85 mm	120 mm	CTC-1261947	553.74
1588997			Bushing	85 mm		CTC-0964402	51.37
MAB1-UP; PAB1-UP							
2590705			P-UB-10	85 mm	120 mm	CTC-2590706	237.10
2590705			Bushing	85 mm		CTC-0964402	51.37
2742521			P-UB-10	85 mm	120 mm	CTC-2742511	188.30
2742521			Bushing	85 mm		CTC-1140756	54.86
COUPLER							
AMC1-UP; ANB1-UP; BDC1-UP; BER1-UP; MAB1-UP; PAB1-UP							
1728402			I-U-10	50 mm	70 mm	CTC-1728487	87.21
STICK							
AMC1-UP; ANB1-UP; BBC1-UP; BCB1-UP; BEF1-UP; MAB1-UP; PAB1-UP							
2043615			P-UB-10	100 mm	140 mm	CTC-2043626	302.78
2043615			Bushing	100 mm		CTC-0965625	76.50

REPLACEMENT KITS FOR CATERPILLAR® EQUIPMENT

Excavators							
APPLICATION	CYL #	Misc-Parts, Instructions, etc.	CODE	ROD	BORE	KIT #	List \$
MODEL 320C L							
STICK							
AMC1-UP; ANB1-UP; BBC1-UP; BEF1-UP; BPR1-UP; BRXI-UP; RAW1-UP; SBN1-UP							
1588993			P-UB-10	100 mm	140 mm	CTC-1373764	516.32
1588993			Bushing	100 mm		CTC-0965625	76.50
AMC1-UP; ANB1-UP; BPR1-UP; BRXI-UP; GNG1-UP; HKT1-UP; MAB1-UP; PAB1-UP							
2144500			P-UB-10	100 mm	140 mm	CTC-2590635	246.59
2144500			Bushing	100 mm		CTC-0965625	76.50
AMC1-UP; ANB1-UP; GHA1-UP; GNG1-UP; HBC1-UP; HKT1-UP; MAB1-UP; PAB1-UP							
1850342			P-UB-10	100 mm	140 mm	CTC-2590631	246.59
1850342			Bushing	100 mm		CTC-0965625	76.50
1850344			P-UB-10	100 mm	140 mm	CTC-2590631	246.59
1850344			Bushing	100 mm		CTC-0965625	76.50
AXK1-UP							
1589059			P-UB-10	100 mm	140 mm	CTC-2159985	196.01
1589059			Bushing	100 mm		CTC-1140757	77.11
AXK1-UP; BBE1-UP; BBL1-UP; BCN1-UP; BEA1-UP; DBG1-UP; GLA1-UP; JTG1-UP							
1589060			P-UB-10	100 mm	140 mm	CTC-2159985	196.01
1589060			Bushing	100 mm		CTC-1140757	77.11
BBC1-UP; BCB1-UP; BEF1-UP							
2144500			P-UB-10	100 mm	140 mm	CTC-2144502	246.59
2144500			Bushing	100 mm		CTC-0965625	76.50
BBE1-UP; BBL1-UP; BCN1-UP; BEA1-UP; DBG1-UP; GLA1-UP; JTG1-UP							
1589059			P-UB-10	100 mm	140 mm	CTC-2095874	406.41
1589059			Bushing	100 mm		CTC-1140757	77.11
BCB1-UP							
1232081			P-UB-10	105 mm	150 mm	CTC-1373767	670.05
1232081			Bushing	105 mm		CTC-0995572	65.80
2043616			P-UB-10	100 mm	140 mm	CTC-2043616	246.59
2043616			Bushing	100 mm		CTC-0965625	76.50
BDC1-UP; BER1-UP; RAW1-UP; SBN1-UP							
1589059			P-UB-10	100 mm	140 mm	CTC-2159985	196.01
1589059			Bushing	100 mm		CTC-1140757	77.11
1589060			P-UB-10	100 mm	140 mm	CTC-2095874	406.41
1589060			Bushing	100 mm		CTC-1140757	77.11
BPR1-UP; BRXI-UP; EAG1-UP; GNG1-UP; HKT1-UP							
2043615			P-UB-10	100 mm	140 mm	CTC-2590633	246.59
2043615			Bushing	100 mm		CTC-0965625	76.50
EAG1-UP							
2144500			P-UB-10	100 mm	140 mm	CTC-2590635	246.59
MAB1-UP; PAB1-UP							
2742514			P-UB-10	100 mm	140 mm	CTC-2742515	270.97
2742514			Bushing	100 mm		CTC-1140757	77.11
RAW1-UP; SBN1-UP							
2043615			P-UB-10	100 mm	140 mm	CTC-1373764	516.32
2043615			Bushing	100 mm		CTC-0965625	76.50
UNSPECIFIED APPLICATION							
AKH1-UP; ALF1-UP							
1980648			I-U-10	45 mm	60 mm	CTC-1980648K	74.91
MODEL 320C LN							
BOOM							
BBE1-UP; BBL1-UP; BCN1-UP; BEA1-UP; DBG1-UP; GLA1-UP; JTG1-UP							
1589058			P-UB-10	85 mm	120 mm	CTC-2366368	175.29
1589058			Bushing	85 mm		CTC-1140756	54.86
1842614			P-UB-10	95 mm	160 mm	CTC-2521191	312.45
1842614			Bushing	95 mm		CTC-6C6093	70.66

REPLACEMENT KITS FOR CATERPILLAR® EQUIPMENT

Excavators							
APPLICATION	CYL #	Misc-Parts, Instructions, etc.	CODE	ROD	BORE	KIT #	List \$
MODEL 320C LN							
BUCKET							
BBE1-UP; BBL1-UP; BCN1-UP; BEA1-UP; DBG1-UP; GLA1-UP; JTG1-UP							
1589061			P-U-10	85 mm	120 mm	CTC-2366389	175.29
1589061			Bushing	85 mm		CTC-1140756	54.86
1799764			P-UB-10	90 mm	130 mm	CTC-2159986	200.07
1799764			Bushing	90 mm		CTC-1140758	63.28
2836132			P-UB-10	85 mm	120 mm	CTC-2366368	175.29
2836132			Bushing	85 mm		CTC-1140756	54.86
STICK							
BBE1-UP; BBL1-UP; BCN1-UP; BEA1-UP; DBG1-UP; GLA1-UP; JTG1-UP							
1589059			P-UB-10	100 mm	140 mm	CTC-2095874	406.41
1589059			Bushing	100 mm		CTC-1140757	77.11
1589060			P-UB-10	100 mm	140 mm	CTC-2159985	196.01
1589060			Bushing	100 mm		CTC-1140757	77.11
MODEL 320C LRR							
BOOM							
GAD1-UP							
1589058			P-UB-10	85 mm	120 mm	CTC-2366368	175.29
1589058			Bushing	85 mm		CTC-1140756	54.86
STICK							
GAD1-UP							
1589059			P-UB-10	100 mm	140 mm	CTC-2159985	196.01
1589059			Bushing	100 mm		CTC-1140757	77.11
MODEL 320C LU							
BOOM							
CLM1-UP; CLZ1-UP							
1588991			P-UB-10	85 mm	120 mm	CTC-1373763	591.59
1588991			Bushing	85 mm		CTC-0964402	51.37
CLM1-UP; CLZ1-UP; MAC1-UP; PAC1-UP							
1850340			P-UB-10	85 mm	120 mm	CTC-2478996	260.51
1850340			Bushing	85 mm		CTC-0964402	51.37
2043614			P-UB-10	85 mm	120 mm	CTC-2478998	260.51
2043614			Bushing	85 mm		CTC-0964402	51.37
MAC1-UP; PAC1-UP							
2742510			P-UB-10	85 mm	120 mm	CTC-2742511	188.30
2742510			Bushing	85 mm		CTC-1140756	54.86
BUCKET							
CLM1-UP; CLZ1-UP							
1850346			P-UB-10	85 mm	120 mm	CTC-1540744	707.48
1850346			Bushing	85 mm		CTC-0964402	51.37
2043617			P-UB-10	85 mm	120 mm	CTC-2043627	223.74
2043617			Bushing	85 mm		CTC-0964402	51.37
2043696			P-UB-10	85 mm	120 mm	CTC-2479000	237.10
2043696			Bushing	85 mm		CTC-0964402	51.37
CLM1-UP; CLZ1-UP; MAC1-UP; PAC1-UP							
2043689			P-UB-10	85 mm	120 mm	CTC-2479001	237.10
2043689			Bushing	85 mm		CTC-0964402	51.37
MAC1-UP; PAC1-UP							
2590694			P-UB-10	85 mm	120 mm	CTC-2590695	260.51
2590694			Bushing	85 mm		CTC-0964402	51.37
2590698			P-UB-10	100 mm	140 mm	CTC-2590699	246.59
2590698			Bushing	100 mm		CTC-0965625	76.50
2590705			P-UB-10	85 mm	120 mm	CTC-2590706	237.10
2590705			Bushing	85 mm		CTC-0964402	51.37
2742521			P-UB-10	85 mm	120 mm	CTC-2742511	188.30
2742521			Bushing	85 mm		CTC-1140756	54.86

REPLACEMENT KITS FOR CATERPILLAR® EQUIPMENT

Excavators							
APPLICATION	CYL #	Misc-Parts, Instructions, etc.	CODE	ROD	BORE	KIT #	List \$
MODEL 320C LU							
COUPLER							
MAC1-UP; PAC1-UP							
	1728402		I-U-10	50 mm	70 mm	CTC-1728487	87.21
STICK							
CLM1-UP; CLZ1-UP							
	1588993		P-UB-10	100 mm	140 mm	CTC-1373764	516.32
	1588993		Bushing	100 mm		CTC-0965625	76.50
CLM1-UP; CLZ1-UP; MAC1-UP; PAC1-UP							
	1850342		P-UB-10	100 mm	140 mm	CTC-2590631	246.59
	1850342		Bushing	100 mm		CTC-0965625	76.50
	2043615		P-UB-10	100 mm	140 mm	CTC-2590633	246.59
	2043615		Bushing	100 mm		CTC-0965625	76.50
MAC1-UP; PAC1-UP							
	2742514		P-UB-10	100 mm	140 mm	CTC-2742515	270.97
	2742514		Bushing	100 mm		CTC-1140757	77.11
MODEL 320C S							
BOOM							
BBE1-UP; BBL1-UP; BCN1-UP; BEA1-UP; BMZ1-UP; EGL1-UP							
	1589058		P-UB-10	85 mm	120 mm	CTC-2366368	175.29
	1589058		Bushing	85 mm		CTC-1140756	54.86
BBE1-UP; BBL1-UP; BCN1-UP; BEA1-UP; EGL1-UP							
	1842614		P-UB-10	95 mm	160 mm	CTC-2521191	312.45
	1842614		Bushing	95 mm		CTC-6C6093	70.66
BMZ1-UP							
	1842614		P-UB-10	95 mm	160 mm	CTC-2521191	312.45
	1842614		Bushing	95 mm		CTC-6C6093	70.66
BUCKET							
BBE1-UP; BBL1-UP; BCN1-UP; BEA1-UP; BMZ1-UP; EGL1-UP							
	1589061		P-U-10	85 mm	120 mm	CTC-2366389	175.29
	1589061		Bushing	85 mm		CTC-1140756	54.86
BBE1-UP; BBL1-UP; BCN1-UP; BEA1-UP; EGL1-UP							
	1799764		P-UB-10	90 mm	130 mm	CTC-2159986	200.07
	1799764		Bushing	90 mm		CTC-1140758	63.28
	2836132		P-UB-10	85 mm	120 mm	CTC-2366368	175.29
	2836132		Bushing	85 mm		CTC-1140756	54.86
BMZ1-UP							
	1799764		P-UB-10	90 mm	130 mm	CTC-2159986	200.07
	1799764		Bushing	90 mm		CTC-1140758	63.28
STICK							
BBE1-UP; BBL1-UP; BCN1-UP; BEA1-UP; BMZ1-UP; EGL1-UP							
	1589060		P-UB-10	100 mm	140 mm	CTC-2159985	196.01
	1589060		Bushing	100 mm		CTC-1140757	77.11
BBE1-UP; BBL1-UP; BCN1-UP; BEA1-UP; EGL1-UP							
	1589059		P-UB-10	100 mm	140 mm	CTC-2095874	406.41
	1589059		Bushing	100 mm		CTC-1140757	77.11
BMZ1-UP							
	1589059		P-UB-10	100 mm	140 mm	CTC-2159985	196.01
	1589059		Bushing	100 mm		CTC-1140757	77.11
MODEL 320C U							
BOOM							
CLM1-UP; CLZ1-UP							
	1588991		P-UB-10	85 mm	120 mm	CTC-1373763	591.59
	1588991		Bushing	85 mm		CTC-0964402	51.37

REPLACEMENT KITS FOR CATERPILLAR® EQUIPMENT

Excavators							
APPLICATION	CYL #	Misc-Parts, Instructions, etc.	CODE	ROD	BORE	KIT #	List \$
MODEL 320C U							
BOOM							
CLM1-UP; CLZ1-UP; MAC1-UP; PAC1-UP							
1850340			P-UB-10	85 mm	120 mm	CTC-2478996	260.51
1850340			Bushing	85 mm		CTC-0964402	51.37
2043614			P-UB-10	85 mm	120 mm	CTC-2478998	260.51
2043614			Bushing	85 mm		CTC-0964402	51.37
MAC1-UP; PAC1-UP							
2742510			P-UB-10	85 mm	120 mm	CTC-2742511	188.30
2742510			Bushing	85 mm		CTC-1140756	54.86
BUCKET							
CLM1-UP; CLZ1-UP							
1850346			P-UB-10	85 mm	120 mm	CTC-1540744	707.48
1850346			Bushing	85 mm		CTC-0964402	51.37
2043617			P-UB-10	85 mm	120 mm	CTC-2043627	223.74
2043617			Bushing	85 mm		CTC-0964402	51.37
2043696			P-UB-10	85 mm	120 mm	CTC-2479000	237.10
2043696			Bushing	85 mm		CTC-0964402	51.37
CLM1-UP; CLZ1-UP; MAC1-UP; PAC1-UP							
2043689			P-UB-10	85 mm	120 mm	CTC-2479001	237.10
2043689			Bushing	85 mm		CTC-0964402	51.37
MAC1-UP; PAC1-UP							
2590694			P-UB-10	85 mm	120 mm	CTC-2590695	260.51
2590694			Bushing	85 mm		CTC-0964402	51.37
2590698			P-UB-10	100 mm	140 mm	CTC-2590699	246.59
2590698			Bushing	100 mm		CTC-0965625	76.50
2590705			P-UB-10	85 mm	120 mm	CTC-2590706	237.10
2590705			Bushing	85 mm		CTC-0964402	51.37
2742521			P-UB-10	85 mm	120 mm	CTC-2742511	188.30
2742521			Bushing	85 mm		CTC-1140756	54.86
COUPLER							
MAC1-UP; PAC1-UP							
1728402			I-U-10	50 mm	70 mm	CTC-1728487	87.21
STICK							
CLM1-UP; CLZ1-UP							
1588993			P-UB-10	100 mm	140 mm	CTC-1373764	516.32
1588993			Bushing	100 mm		CTC-0965625	76.50
CLM1-UP; CLZ1-UP; MAC1-UP; PAC1-UP							
1850342			P-UB-10	100 mm	140 mm	CTC-2590631	246.59
1850342			Bushing	100 mm		CTC-0965625	76.50
2043615			P-UB-10	100 mm	140 mm	CTC-2590633	246.59
2043615			Bushing	100 mm		CTC-0965625	76.50
MAC1-UP; PAC1-UP							
2742514			P-UB-10	100 mm	140 mm	CTC-2742515	270.97
2742514			Bushing	100 mm		CTC-1140757	77.11
MODEL 320D							
BOOM							
A6F1-UP; A8F1-UP; CXY1-UP; DHK1-UP; FAL1-UP; JFZ1-UP; JGZ1-UP; KGF1-UP; MCH1-UP; MDE1-UP; MGG1-UP; PHX1-UP							
2426731			P-UB-10	85 mm	120 mm	CTC-2478868	255.98
2426731			Bushing	85 mm		CTC-0964402	51.37
A6F1-UP; A8F1-UP; CXY1-UP; DHK1-UP; FAL1-UP; KGF1-UP; MCH1-UP; PHX1-UP							
2426751			P-UB-10	100 mm	140 mm	CTC-2478878	314.97
2426751			Bushing	100 mm		CTC-0965625	76.50
BZP1-UP; JGZ1-UP; MDE1-UP							
2426746			P-UB-10	85 mm	120 mm	CTC-2667891	255.98
2426746			Bushing	85 mm		CTC-0964402	51.37

REPLACEMENT KITS FOR CATERPILLAR® EQUIPMENT

Excavators							
APPLICATION	CYL #	Misc-Parts, Instructions, etc.	CODE	ROD	BORE	KIT #	List \$
MODEL 320D							
BOOM							
CXY1-UP; DHK1-UP							
2426746			P-UB-10	85 mm	120 mm	CTC-2667891	255.98
2667972			P-UB-10	85 mm	120 mm	CTC-2668011	255.98
2667972			Bushing	85 mm		CTC-0964402	51.37
FAL1-UP; KGF1-UP							
2426746			P-UB-10	85 mm	120 mm	CTC-2667891	255.98
2426746			Bushing	85 mm		CTC-0964402	51.37
GKS1-UP							
2897752			P-UB-10	100 mm	140 mm	CTC-2344566	233.91
2897752			Bushing	100 mm		CTC-0965625	76.50
BUCKET							
A6F1-UP; A8F1-UP; CXY1-UP; DHK1-UP; FAL1-UP; JFZ1-UP; JGZ1-UP; KGF1-UP; MCH1-UP; MDE1-UP; MGG1-UP; PHX1-UP							
2426756			P-UB-10	85 mm	120 mm	CTC-2478888	219.22
2426756			Bushing	85 mm		CTC-0964402	51.37
A6F1-UP; A8F1-UP; CXY1-UP; DHK1-UP; FAL1-UP; KGF1-UP; MCH1-UP; PHX1-UP							
2254591			P-UB-10	95 mm	135 mm	CTC-2344587	214.64
2254591			Bushing	95 mm		CTC-0964430	55.81
BZP1-UP; CXY1-UP; DHK1-UP; FAL1-UP; JGZ1-UP; KGF1-UP; MDE1-UP							
2426759			P-UB-10	85 mm	120 mm	CTC-2667892	219.22
2426759			Bushing	85 mm		CTC-0964402	51.37
CXY1-UP; DHK1-UP							
2667978			P-UB-10	85 mm	120 mm	CTC-2668057	219.22
2667978			Bushing	85 mm		CTC-0964402	51.37
CXY1-UP; DHK1-UP; FAL1-UP; JGZ1-UP; KGF1-UP; MDE1-UP							
2254599			P-UB-10	95 mm	135 mm	CTC-2590656	212.53
2254599			Bushing	95 mm		CTC-0964430	55.81
EBT1-							
2426770			P-UB-10	90 mm	130 mm	CTC-2426770K	217.48
CAB TILT							
GKS1-UP							
2632914			P-UB-10	2-1/4	5	CTC-2417578	101.85
COUPLER							
CXY1-UP; DHK1-UP; FAL1-UP; KGF1-UP; MCH1-UP; PHX1-UP							
1728402			I-U-10	50 mm	70 mm	CTC-1728487	87.21
HEEL							
GKS1-UP							
2897756			P-UB-10	90 mm	130 mm	CTC-2590678	208.31
2897756			Bushing	90 mm		CTC-1052575	49.56
STICK							
A6F1-UP; A8F1-UP; CXY1-UP; DHK1-UP; FAL1-UP; JFZ1-UP; JGZ1-UP; KGF1-UP; MCH1-UP; MDE1-UP; MGG1-UP; PHX1-UP							
2426744			P-UB-10	100 mm	140 mm	CTC-2478974	314.97
2426744			Bushing	100 mm		CTC-0965625	76.50
A6F1-UP; A8F1-UP; CXY1-UP; DHK1-UP; FAL1-UP; KGF1-UP; MCH1-UP; PHX1-UP							
2426734			P-UB-10	100 mm	140 mm	CTC-2478878	314.97
2426734			Bushing	100 mm		CTC-0965625	76.50
BZP1-UP; CXY1-UP; DHK1-UP; FAL1-UP; JGZ1-UP; KGF1-UP; MDE1-UP							
2426748			P-UB-10	100 mm	140 mm	CTC-2590775	314.97
2426748			Bushing	100 mm		CTC-0965625	76.50
CXY1-UP; DHK1-UP							
2667974			P-UB-10	100 mm	140 mm	CTC-2668012	314.97
2667974			Bushing	100 mm		CTC-0965625	76.50
CXY1-UP; DHK1-UP; FAL1-UP; JGZ1-UP; KGF1-UP; MDE1-UP							
2426763			P-UB-10	100 mm	140 mm	CTC-2590775	314.97
2426763			Bushing	100 mm		CTC-0965625	76.50

REPLACEMENT KITS FOR CATERPILLAR® EQUIPMENT

Excavators							
APPLICATION	CYL #	Misc-Parts, Instructions, etc.	CODE	ROD	BORE	KIT #	List \$
MODEL 320D							
STICK							
GKS1-UP							
	2897754		P-UB-10	105 mm	150 mm	CTC-2344576	537.24
	2897754		Bushing	105 mm		CTC-0995572	65.80
MODEL 320D L							
BOOM							
A6F1-UP; A8F1-UP; A9F1-UP; CXY1-UP; DHK1-UP; FAL1-UP; KGF1-UP; MCH1-UP; PHX1-UP							
	2426751		P-UB-10	100 mm	140 mm	CTC-2478878	314.97
	2426751		Bushing	100 mm		CTC-0965625	76.50
A6F1-UP; A8F1-UP; CXY1-UP; DHK1-UP; FAL1-UP; JFZ1-UP; JGZ1-UP; KGF1-UP; MCH1-UP; MDE1-UP; MGG1-UP; PHX1-UP							
	2426731		P-UB-10	85 mm	120 mm	CTC-2478868	255.98
	2426731		Bushing	85 mm		CTC-0964402	51.37
A9F1-UP							
	2426731		P-UB-10	85 mm	120 mm	CTC-2478868	255.98
	2426731		Bushing	85 mm		CTC-0964402	51.37
CXY1-UP; DHK1-UP							
	2426746		P-UB-10	85 mm	120 mm	CTC-2667891	255.98
	2667972		P-UB-10	85 mm	120 mm	CTC-2668011	255.98
	2667972		Bushing	85 mm		CTC-0964402	51.37
FAL1-UP; KGF1-UP							
	2426746		P-UB-10	85 mm	120 mm	CTC-2667891	255.98
	2426746		Bushing	85 mm		CTC-0964402	51.37
JGZ1-UP; MDE1-UP							
	2426746		P-UB-10	85 mm	120 mm	CTC-2667891	255.98
	2426746		Bushing	85 mm		CTC-0964402	51.37
BUCKET							
A6F1-UP; A8F1-UP; A9F1-UP; CXY1-UP; DHK1-UP; FAL1-UP; JFZ1-UP; JGZ1-UP; KGF1-UP; MCH1-UP; MDE1-UP; MGG1-UP; PHX1-UP							
	2426756		P-UB-10	85 mm	120 mm	CTC-2478888	219.22
	2426756		Bushing	85 mm		CTC-0964402	51.37
A6F1-UP; A8F1-UP; A9F1-UP; CXY1-UP; DHK1-UP; FAL1-UP; KGF1-UP; MCH1-UP; PHX1-UP							
	2254591		P-UB-10	95 mm	135 mm	CTC-2344587	214.64
	2254591		Bushing	95 mm		CTC-0964430	55.81
CXY1-UP; DHK1-UP							
	2667978		P-UB-10	85 mm	120 mm	CTC-2668057	219.22
	2667978		Bushing	85 mm		CTC-0964402	51.37
CXY1-UP; DHK1-UP; FAL1-UP; JGZ1-UP; KGF1-UP; MDE1-UP							
	2254599		P-UB-10	95 mm	135 mm	CTC-2590656	212.53
	2254599		Bushing	95 mm		CTC-0964430	55.81
	2426759		P-UB-10	85 mm	120 mm	CTC-2667892	219.22
	2426759		Bushing	85 mm		CTC-0964402	51.37
COUPLER							
CXY1-UP; DHK1-UP; FAL1-UP; KGF1-UP; MCH1-UP; PHX1-UP							
	1728402		I-U-10	50 mm	70 mm	CTC-1728487	87.21
STICK							
A6F1-UP; A8F1-UP; A9F1-UP; CXY1-UP; DHK1-UP; FAL1-UP; JFZ1-UP; JGZ1-UP; KGF1-UP; MCH1-UP; MDE1-UP; MGG1-UP; PHX1-UP							
	2426744		P-UB-10	100 mm	140 mm	CTC-2478974	314.97
	2426744		Bushing	100 mm		CTC-0965625	76.50
A6F1-UP; A8F1-UP; A9F1-UP; CXY1-UP; DHK1-UP; FAL1-UP; KGF1-UP; MCH1-UP; PHX1-UP							
	2426734		P-UB-10	100 mm	140 mm	CTC-2478878	314.97
	2426734		Bushing	100 mm		CTC-0965625	76.50
CXY1-UP; DHK1-UP							
	2667974		P-UB-10	100 mm	140 mm	CTC-2668012	314.97
	2667974		Bushing	100 mm		CTC-0965625	76.50

REPLACEMENT KITS FOR CATERPILLAR® EQUIPMENT

Excavators							
APPLICATION	CYL #	Misc-Parts, Instructions, etc.	CODE	ROD	BORE	KIT #	List \$
MODEL 320D L							
STICK							
CXY1-UP; DHK1-UP; FAL1-UP; JGZ1-UP; KGF1-UP; MDE1-UP							
2426748			P-UB-10	100 mm	140 mm	CTC-2590775	314.97
2426748			Bushing	100 mm		CTC-0965625	76.50
2426763			P-UB-10	100 mm	140 mm	CTC-2590775	314.97
2426763			Bushing	100 mm		CTC-0965625	76.50
MODEL 320D LN							
BOOM							
WBN1-UP							
2426731			P-UB-10	85 mm	120 mm	CTC-2478868	255.98
2426731			Bushing	85 mm		CTC-0964402	51.37
2426746			P-UB-10	85 mm	120 mm	CTC-2667891	255.98
2426746			Bushing	85 mm		CTC-0964402	51.37
2667972			P-UB-10	85 mm	120 mm	CTC-2668011	255.98
2667972			Bushing	85 mm		CTC-0964402	51.37
BUCKET							
WBN1-UP							
2426756			P-UB-10	85 mm	120 mm	CTC-2478888	219.22
2426756			Bushing	85 mm		CTC-0964402	51.37
2426759			P-UB-10	85 mm	120 mm	CTC-2667892	219.22
2426759			Bushing	85 mm		CTC-0964402	51.37
2667978			P-UB-10	85 mm	120 mm	CTC-2668057	219.22
2667978			Bushing	85 mm		CTC-0964402	51.37
STICK							
WBN1-UP							
2426734			P-UB-10	100 mm	140 mm	CTC-2478878	314.97
2426734			Bushing	100 mm		CTC-0965625	76.50
2426748			P-UB-10	100 mm	140 mm	CTC-2590775	314.97
2426748			Bushing	100 mm		CTC-0965625	76.50
2667974			P-UB-10	100 mm	140 mm	CTC-2668012	314.97
2667974			Bushing	100 mm		CTC-0965625	76.50
MODEL 320D LRR							
BOOM							
EBY1-UP							
2667972			P-UB-10	85 mm	120 mm	CTC-2668011	255.98
2667972			Bushing	85 mm		CTC-0964402	51.37
EBY1-UP; FXK1-UP; GKL1-UP; TAE1-UP; WFD1-UP; XCK1-UP; ZGB1-UP							
2426731			P-UB-10	85 mm	120 mm	CTC-2478868	255.98
2426731			Bushing	85 mm		CTC-0964402	51.37
EBY1-UP; GKL1-UP; TAE1-UP							
2426746			P-UB-10	85 mm	120 mm	CTC-2667891	255.98
2426746			Bushing	85 mm		CTC-0964402	51.37
BUCKET							
EBY1-UP							
2667978			P-UB-10	85 mm	120 mm	CTC-2668057	219.22
2667978			Bushing	85 mm		CTC-0964402	51.37
EBY1-UP; FXK1-UP; GKL1-UP; TAE1-UP							
2426759			P-UB-10	85 mm	120 mm	CTC-2667892	219.22
2426759			Bushing	85 mm		CTC-0964402	51.37
EBY1-UP; FXK1-UP; GKL1-UP; TAE1-UP; WFD1-UP; XCK1-UP; ZGB1-UP							
2426756			P-UB-10	85 mm	120 mm	CTC-2478888	219.22
2426756			Bushing	85 mm		CTC-0964402	51.37
QUICK COUPLER							
TAE1-UP; WFD1-UP; XCK1-UP							
1728402			I-U-10	50 mm	70 mm	CTC-1728487	87.21

CATERPILLAR®

REPLACEMENT KITS FOR CATERPILLAR® EQUIPMENT

Excavators							
APPLICATION	CYL #	Misc-Parts, Instructions, etc.	CODE	ROD	BORE	KIT #	List \$
MODEL 320D LRR							
STICK							
EBY1-UP							
2667974			P-UB-10	100 mm	140 mm	CTC-2668012	314.97
2667974			Bushing	100 mm		CTC-0965625	76.50
EBY1-UP; FXK1-UP; GKL1-UP; TAE1-UP; WFD1-UP; XCK1-UP							
2426744			P-UB-10	100 mm	140 mm	CTC-2478974	314.97
2426744			Bushing	100 mm		CTC-0965625	76.50
EBY1-UP; FXK1-UP; GKL1-UP; TAE1-UP; WFD1-UP; XCK1-UP; ZGB1-UP							
2426734			P-UB-10	100 mm	140 mm	CTC-2478878	314.97
2426734			Bushing	100 mm		CTC-0965625	76.50
EBY1-UP; GKL1-UP; TAE1-UP							
2426748			P-UB-10	100 mm	140 mm	CTC-2590775	314.97
2426748			Bushing	100 mm		CTC-0965625	76.50
MODEL 320D RR							
BOOM							
EBY1-UP							
2667972			P-UB-10	85 mm	120 mm	CTC-2668011	255.98
2667972			Bushing	85 mm		CTC-0964402	51.37
EBY1-UP; FXK1-UP; GKL1-UP; WFD1-UP; XCK1-UP; YDS1-UP							
2426731			P-UB-10	85 mm	120 mm	CTC-2478868	255.98
2426731			Bushing	85 mm		CTC-0964402	51.37
EBY1-UP; GKL1-UP; YDS1-UP							
2426746			P-UB-10	85 mm	120 mm	CTC-2667891	255.98
2426746			Bushing	85 mm		CTC-0964402	51.37
BUCKET							
EBY1-UP							
2667978			P-UB-10	85 mm	120 mm	CTC-2668057	219.22
2667978			Bushing	85 mm		CTC-0964402	51.37
EBY1-UP; FXK1-UP; GKL1-UP; WFD1-UP; XCK1-UP; YDS1-UP							
2426756			P-UB-10	85 mm	120 mm	CTC-2478888	219.22
2426756			Bushing	85 mm		CTC-0964402	51.37
EBY1-UP; FXK1-UP; GKL1-UP; YDS1-UP							
2426759			P-UB-10	85 mm	120 mm	CTC-2667892	219.22
2426759			Bushing	85 mm		CTC-0964402	51.37
QUICK COUPLER							
WFD1-UP; XCK1-UP; YDS1-UP							
1728402			I-U-10	50 mm	70 mm	CTC-1728487	87.21
STICK							
EBY1-UP							
2667974			P-UB-10	100 mm	140 mm	CTC-2668012	314.97
2667974			Bushing	100 mm		CTC-0965625	76.50
EBY1-UP; FXK1-UP; GKL1-UP; WFD1-UP; XCK1-UP; YDS1-UP							
2426734			P-UB-10	100 mm	140 mm	CTC-2478878	314.97
2426734			Bushing	100 mm		CTC-0965625	76.50
2426744			P-UB-10	100 mm	140 mm	CTC-2478974	314.97
2426744			Bushing	100 mm		CTC-0965625	76.50
EBY1-UP; GKL1-UP; YDS1-UP							
2426748			P-UB-10	100 mm	140 mm	CTC-2590775	314.97
2426748			Bushing	100 mm		CTC-0965625	76.50
MODEL 320E							
BOOM							
AWS1-UP; SHX1-UP; SXE1-UP							
3412790			P-UB-10	85 mm	120 mm	CTC-4560197	216.42
3412790			Bushing	85 mm		CTC-0964402	51.37

REPLACEMENT KITS FOR CATERPILLAR® EQUIPMENT

Excavators							
APPLICATION	CYL #	Misc-Parts, Instructions, etc.	CODE	ROD	BORE	KIT #	List \$
MODEL 320E							
BUCKET							
AWS1-UP							
3412818			P-UB-10	90 mm	130 mm	CTC-4560210	251.12
3412818			Bushing	90 mm		CTC-1052575	49.56
AWS1-UP; SHX1-UP; SXE1-UP							
3412814			P-UB-10	85 mm	120 mm	CTC-4560207	210.47
3412814			Bushing	85 mm		CTC-0964402	51.37
AWS1-UP; SXE1-UP							
3568788	Type 1		P-UB-10	85 mm	120 mm	CTC-2478790	175.29
3568788	Type 2		P-UB-10	85 mm	120 mm	CTC-3979294	233.87
3568788	Types 1 and 2		Bushing	85 mm		CTC-1140756	54.86
COUPLER							
AWS1-UP; SXE1-UP							
1690329			I-U-5	40 mm	60 mm	CTC-2027897	66.15
2948011			P-U-10,12	2	3-1/2	CTC-3460643	70.28
STICK							
AWS1-UP; SHX1-UP; SXE1-UP							
3412802			P-UB-10	100 mm	140 mm	CTC-4560202	300.14
3412802			Bushing	100 mm		CTC-0965625	76.50
TRACK ADJUSTER							
AWS1-UP; SHX1-UP; SXE1-UP							
2394390			TRK ADJ			CTC-SK100110	71.42
MODEL 320E L							
BOOM							
KLT1-UP; LAK1-UP; NAZ1-UP; REE1-UP; TEX1-UP; TNJ1-UP; WBK1-UP							
3412790			P-UB-10	85 mm	120 mm	CTC-4560197	216.42
3412790			Bushing	85 mm		CTC-0964402	51.37
NAZ1-UP							
3605447	Variable Adjustable Boom		P-UB-10	95 mm	160 mm	CTC-3979296	354.11
3605447	Variable Adjustable Boom		Bushing	95 mm		CTC-6C6093	70.66
REE1-UP; TEX1-UP; TNJ1-UP; WBK1-UP							
3319283			P-UB-10	90 mm	125 mm	CTC-4560198	232.31
3319283			Bushing	90 mm		CTC-1052575	49.56
BUCKET							
KLT1-UP							
3412818			P-UB-10	90 mm	130 mm	CTC-4560210	251.12
3412818			Bushing	90 mm		CTC-1052575	49.56
KLT1-UP; LAK1-UP; NAZ1-UP; REE1-UP; TEX1-UP; TNJ1-UP; WBK1-UP							
3568788	Type 1		P-UB-10	85 mm	120 mm	CTC-2478790	175.29
3568788	Type 2		P-UB-10	85 mm	120 mm	CTC-3979294	233.87
3568788	Types 1 and 2		Bushing	85 mm		CTC-1140756	54.86
KLT1-UP; LAK1-UP; NAZ1-UP; REE1-UP; TEX1-UP; TNJ1-UP; WBK1-UP							
3412814			P-UB-10	85 mm	120 mm	CTC-4560207	210.47
3412814			Bushing	85 mm		CTC-0964402	51.37
LAK1-UP; NAZ1-UP; REE1-UP; WBK1-UP							
3582108			P-UB-10	70 mm	100 mm	CTC-3494121	297.60
3582108			Bushing	70 mm		CTC-1140753	43.69
NAZ1-UP; REE1-UP; TEX1-UP							
3852834			P-UB-14	70 mm	100 mm	CTC-3904227	357.72
3852834			Bushing	70 mm		CTC-3904158	37.36
COUPLER							
KLT1-UP; LAK1-UP; NAZ1-UP; REE1-UP; TEX1-UP; TNJ1-UP; WBK1-UP							
2948011			P-U-10,12	2	3-1/2	CTC-3460643	70.28
KLT1-UP; NAZ1-UP; WBK1-UP							
1690329			I-U-5	40 mm	60 mm	CTC-2027897	66.15

REPLACEMENT KITS FOR CATERPILLAR® EQUIPMENT

Excavators							
APPLICATION	CYL #	Misc-Parts, Instructions, etc.	CODE	ROD	BORE	KIT #	List \$
MODEL 320E L							
STICK							
KLT1-UP; LAK1-UP; NAZ1-UP; REE1-UP; TEX1-UP; TNJ1-UP; WBK1-UP							
3412802			P-UB-10	100 mm	140 mm	CTC-4560202	300.14
3412802			Bushing	100 mm		CTC-0965625	76.50
LAK1-UP; NAZ1-UP; REE1-UP; WBK1-UP							
3412177			P-UB-10	105 mm	150 mm	CTC-3500975	301.26
3412177			Bushing	105 mm		CTC-0995572	65.80
3494148			P-UB-10	105 mm	150 mm	CTC-4560203	301.26
3494148			Bushing	105 mm		CTC-0995572	65.80
REE1-UP							
2254588			P-UB-10	105 mm	150 mm	CTC-4560203	301.26
2254588			Bushing	105 mm		CTC-0995572	65.80
TNJ1-UP; WBK1-UP							
3412807			P-UB-10	100 mm	140 mm	CTC-4560204	288.10
3412807			Bushing	100 mm		CTC-0965625	76.50
TRACK ADJUSTER							
KLT1-UP; LAK1-UP; NAZ1-UP; REE1-UP; TEX1-UP; TNJ1-UP; WBK1-UP							
2394390			TRK ADJ			CTC-SK100110	71.42
MODEL 320E LN							
BOOM							
DFG1-UP							
3412790			P-UB-10	85 mm	120 mm	CTC-4560197	216.42
3412790			Bushing	85 mm		CTC-0964402	51.37
3605447	Variable Adjustable Boom		P-UB-10	95 mm	160 mm	CTC-3979296	354.11
3605447	Variable Adjustable Boom		Bushing	95 mm		CTC-6C6093	70.66
BUCKET							
DFG1-UP							
3412182			P-UB-10	95 mm	135 mm	CTC-3500976	243.83
3412182			Bushing	95 mm		CTC-0964430	55.81
3412814			P-UB-10	85 mm	120 mm	CTC-4560207	210.47
3412814			Bushing	85 mm		CTC-0964402	51.37
3568788	Type 1		P-UB-10	85 mm	120 mm	CTC-2478790	175.29
3568788	Type 2		P-UB-10	85 mm	120 mm	CTC-3979294	233.87
3568788	Types 1 and 2		Bushing	85 mm		CTC-1140756	54.86
COUPLER							
DFG1-UP							
1690329			I-U-5	40 mm	60 mm	CTC-2027897	66.15
2948011			P-U-10,12	2	3-1/2	CTC-3460643	70.28
STICK							
DFG1-UP							
3412802			P-UB-10	100 mm	140 mm	CTC-4560202	300.14
3412802			Bushing	100 mm		CTC-0965625	76.50
TRACK ADJUSTER							
DFG1-UP							
2394390			TRK ADJ			CTC-SK100110	71.42
MODEL 320E LRR							
BOOM							
MEW1-UP; PNL1-UP; TFX1-UP							
3412790			P-UB-10	85 mm	120 mm	CTC-4560197	216.42
3412790			Bushing	85 mm		CTC-0964402	51.37
BUCKET							
MEW1-UP							
3412818			P-UB-10	90 mm	130 mm	CTC-4560210	251.12
3412818			Bushing	90 mm		CTC-1052575	49.56

REPLACEMENT KITS FOR CATERPILLAR® EQUIPMENT

Excavators							
APPLICATION	CYL #	Misc-Parts, Instructions, etc.	CODE	ROD	BORE	KIT #	List \$
MODEL 320E LRR							
BUCKET							
MEW1-UP; PNL1-UP; TFX1-UP							
3412814			P-UB-10	85 mm	120 mm	CTC-4560207	210.47
3412814			Bushing	85 mm		CTC-0964402	51.37
3568788	Type 1		P-UB-10	85 mm	120 mm	CTC-2478790	175.29
3568788	Type 2		P-UB-10	85 mm	120 mm	CTC-3979294	233.87
3568788	Types 1 and 2		Bushing	85 mm		CTC-1140756	54.86
COUPLER							
TFX1-UP							
2948011			P-U-10,12	2	3-1/2	CTC-3460643	70.28
STICK							
MEW1-UP; PNL1-UP; TFX1-UP							
3412802			P-UB-10	100 mm	140 mm	CTC-4560202	300.14
3412802			Bushing	100 mm		CTC-0965625	76.50
TRACK ADJUSTER							
MEW1-UP; PNL1-UP; TFX1-UP							
2394390			TRK ADJ			CTC-SK100110	71.42
MODEL 320E RR							
BOOM							
LHN1-UP							
3412790			P-UB-10	85 mm	120 mm	CTC-4560197	216.42
3412790			Bushing	85 mm		CTC-0964402	51.37
BUCKET							
LHN1-UP							
3412814			P-UB-10	85 mm	120 mm	CTC-4560207	210.47
3412814			Bushing	85 mm		CTC-0964402	51.37
3412818			P-UB-10	90 mm	130 mm	CTC-4560210	251.12
3412818			Bushing	90 mm		CTC-1052575	49.56
3568788	Type 1		P-UB-10	85 mm	120 mm	CTC-2478790	175.29
3568788	Type 2		P-UB-10	85 mm	120 mm	CTC-3979294	233.87
3568788	Types 1 and 2		Bushing	85 mm		CTC-1140756	54.86
STICK							
LHN1-UP							
3412802			P-UB-10	100 mm	140 mm	CTC-4560202	300.14
3412802			Bushing	100 mm		CTC-0965625	76.50
TRACK ADJUSTER							
LHN1-UP							
2394390			TRK ADJ			CTC-SK100110	71.42
MODEL 320F L							
BOOM							
NHD1-UP; YBM1-UP							
3412790			P-UB-10	85 mm	120 mm	CTC-4560197	216.42
3412790			Bushing	85 mm		CTC-0964402	51.37
BOOM VAR ADJ							
NHD1-UP							
3605447			P-UB-10	95 mm	160 mm	CTC-3979296	354.11
3605447			Bushing	95 mm		CTC-6C6093	70.66
BUCKET							
NHD1-UP							
3852834			P-UB-14	70 mm	100 mm	CTC-3904227	357.72
3852834			Bushing	70 mm		CTC-3904158	37.36
4699342	Head 3234219		I-U-10	50 mm	80 mm	CTC-3240356	130.67
4699353	Head 3234219		I-U-10	50 mm	80 mm	CTC-3240356	130.67

REPLACEMENT KITS FOR CATERPILLAR® EQUIPMENT

Excavators							
APPLICATION	CYL #	Misc-Parts, Instructions, etc.	CODE	ROD	BORE	KIT #	List \$
MODEL 320F L							
BUCKET							
NHD1-UP; YBM1-UP							
3412814			P-UB-10	85 mm	120 mm	CTC-4560207	210.47
3412814			Bushing	85 mm		CTC-0964402	51.37
4699342	Head 4944314		P-U-10	50 mm	80 mm	CTC-5016702	122.41
4699353	Head 4944314		P-U-10	50 mm	80 mm	CTC-5016702	122.41
COUPLER							
NHD1-UP; YBM1-UP							
3909505			I-U-10	1-1/2	2-1/2	CTC-4536523	24.49
3909505			Chk Vlv Kit			CTC-2138433	19.97
STICK							
NHD1-UP; YBM1-UP							
3412802			P-UB-10	100 mm	140 mm	CTC-4560202	300.14
3412802			Bushing	100 mm		CTC-0965625	76.50
TRACK ADJUSTER							
NHD1-UP; YBM1-UP							
2394390			TRK ADJ			CTC-SK100110	71.42
MODEL 320L							
BOOM							
874898			P-UB-10	100 mm	140 mm	CTC-2459842	255.97
BUCKET							
1251547			P-UB-10	65 mm	100 mm	CTC-418914	326.98
417652			P-UB-10	65 mm	100 mm	CTC-417664	327.13
418840			P-UB-10	65 mm	100 mm	CTC-418914	326.98
717291			P-UB-10	85 mm	130 mm	CTC-7Y5145	427.56
7Y5100			P-UB-10	85 mm	130 mm	CTC-7Y5145	427.56
STICK							
7Y4650			P-UB-10	105 mm	150 mm	CTC-1163612	482.77
875493			P-UB-10	100 mm	140 mm	CTC-1270630	517.42
MODEL 320N							
BOOM							
874898			P-UB-10	100 mm	140 mm	CTC-2459842	255.97
BUCKET							
7Y5100			P-UB-10	85 mm	130 mm	CTC-7Y5145	427.56
STICK							
875493			P-UB-10	100 mm	140 mm	CTC-1270630	517.42
MODEL 320S							
BOOM							
0875496			P-UB-10	85 mm	120 mm	CTC-1184131	399.75
1069596			P-UB-10	95 mm	160 mm	CTC-6C6091	538.84
BOOM VA							
6C6085			P-UB-10	95 mm	160 mm	CTC-6C6091	538.84
BUCKET							
0875633			P-UB-10	85 mm	120 mm	CTC-1184131	399.75
7Y5100			P-UB-10	85 mm	130 mm	CTC-7Y5145	427.56
STICK							
0875422			P-UB-10	100 mm	140 mm	CTC-0875387	546.61
0876638			P-UB-10	100 mm	140 mm	CTC-0875387	546.61
MODEL 321B							
BOOM-LH							
1913267			P-UB-10	90 mm	125 mm	CTC-2479004	215.98
BUCKET							
1232084			P-UB-10	90 mm	130 mm	CTC-1373768	704.71
UNSPECIFIED APPLICATION							
1183967			P-UB-10	85 mm	120 mm	CTC-1261947	553.74

REPLACEMENT KITS FOR CATERPILLAR® EQUIPMENT

Excavators							
APPLICATION	CYL #	Misc-Parts, Instructions, etc.	CODE	ROD	BORE	KIT #	List \$
MODEL 321C LCR							
BLADE LH							
KCR1-UP; MCF1-UP							
	1913288		P-UB-10	100 mm	140 mm	CTC-1645174	349.99
	1913288		Bushing	100 mm		CTC-0965625	76.50
BLADE RH							
KCR1-UP; MCF1-UP							
	1913286		P-UB-10	100 mm	140 mm	CTC-1645174	349.99
	1913286		Bushing	100 mm		CTC-0965625	76.50
BOOM							
KCR1-UP							
	2449116		P-UB-10	85 mm	120 mm	CTC-2478998	260.51
	2449116		Bushing	85 mm		CTC-0964402	51.37
KCR1-UP; MCF1-UP							
	2160021		P-UB-10	90 mm	125 mm	CTC-2479004	215.98
	2160021		Bushing	90 mm		CTC-1052575	49.56
MCF1-UP							
	2043614		P-UB-10	85 mm	120 mm	CTC-2043625	381.12
	2043614		Bushing	85 mm		CTC-0964402	51.37
BOOM LH							
KCR1-UP; MCF1-UP							
	2160018		P-UB-10	90 mm	125 mm	CTC-2479004	215.98
	2160018		Bushing	90 mm		CTC-1052575	49.56
BUCKET							
KCR1-UP							
	2449120		P-UB-10	85 mm	120 mm	CTC-2479001	237.10
	2449120		Bushing	85 mm		CTC-0964402	51.37
KCR1-UP; MCF1-UP							
	2043689		P-UB-10	85 mm	120 mm	CTC-2479001	237.10
	2043689		Bushing	85 mm		CTC-0964402	51.37
COUPLER							
KCR1-UP; MCF1-UP							
	1728402		I-U-10	50 mm	70 mm	CTC-1728487	87.21
STICK							
KCR1-UP							
	2424840		P-UB-10	100 mm	140 mm	CTC-2590633	246.59
	2424840		Bushing	100 mm		CTC-0965625	76.50
KCR1-UP; MCF1-UP							
	2043615		P-UB-10	100 mm	140 mm	CTC-2590633	246.59
	2043615		Bushing	100 mm		CTC-0965625	76.50
STICK LH							
MCF1-UP							
	2817970		P-UB-10	100 mm	140 mm	CTC-1373764	516.32
	2817970		Bushing	100 mm		CTC-0965625	76.50
STICK RH							
MCF1-UP							
	2817971		P-UB-10	100 mm	140 mm	CTC-1373764	516.32
	2817971		Bushing	100 mm		CTC-0965625	76.50
MODEL 321D LCR							
BLADE LH							
PBD1-UP							
	1913288		P-UB-10	100 mm	140 mm	CTC-1645174	349.99
	1913288		Bushing	100 mm		CTC-0965625	76.50
BLADE RH							
PBD1-UP							
	1913286		P-UB-10	100 mm	140 mm	CTC-1645174	349.99
	1913286		Bushing	100 mm		CTC-0965625	76.50

CATERPILLAR®

REPLACEMENT KITS FOR CATERPILLAR® EQUIPMENT

Excavators							
APPLICATION	CYL #	Misc-Parts, Instructions, etc.	CODE	ROD	BORE	KIT #	List \$
MODEL 321D LCR							
BOOM							
PBD1-UP; TXA1-UP							
	2426731		P-UB-10	85 mm	120 mm	CTC-2478868	255.98
	2426731		Bushing	85 mm		CTC-0964402	51.37
	2795614		P-UB-10	95 mm	160 mm	CTC-2521191	312.45
	2795614		Bushing	95 mm		CTC-6C6093	70.66
BOOM LH							
KBZ1-UP; MDT1-UP; MPG1-UP; NAS1-UP; PBD1-UP; TXA1-UP							
	2742689		P-UB-10	90 mm	125 mm	CTC-2835988	831.46
	2742689		Bushing	90 mm		CTC-1052575	49.56
BOOM RH							
KBZ1-UP; MDT1-UP; MPG1-UP; NAS1-UP; PBD1-UP; TXA1-UP							
	2742690		P-UB-10	90 mm	125 mm	CTC-2835988	831.46
	2742690		Bushing	90 mm		CTC-1052575	49.56
BUCKET							
KBZ1-UP; MDT1-UP; MPG1-UP; NAS1-UP; PBD1-UP; TXA1-UP							
	2426756		P-UB-10	85 mm	120 mm	CTC-2478888	219.22
	2426756		Bushing	85 mm		CTC-0964402	51.37
KBZ1-UP; MPG1-UP; TXA1-UP							
	3494134		P-UB-10	85 mm	120 mm	CTC-3500967	364.05
	3494134		Bushing	85 mm		CTC-0964402	51.37
COUPLER							
KBZ1-UP; MDT1-UP; MPG1-UP; NAS1-UP; TXA1-UP							
	1728402		I-U-10	50 mm	70 mm	CTC-1728487	87.21
QUICK COUPLER							
KBZ1-UP; MDT1-UP; MPG1-UP; NAS1-UP; TXA1-UP							
	2948011		P-U-10,12	2	3-1/2	CTC-3460643	70.28
STICK							
KBZ1-UP; MDT1-UP; MPG1-UP; NAS1-UP; PBD1-UP; TXA1-UP							
	2426734		P-UB-10	100 mm	140 mm	CTC-2478878	314.97
	2426734		Bushing	100 mm		CTC-0965625	76.50
MODEL 322							
BOOM							
	1052571		P-UB-10	90 mm	130 mm	CTC-1052585	464.55
	1052588		P-UB-10	100 mm	140 mm	CTC-1270630	517.42
	711345		P-UB-10	90 mm	130 mm	CTC-711360	474.59
BUCKET							
	0875633		P-UB-10	85 mm	120 mm	CTC-0875394	414.00
	0875633		P-UB-10	85 mm	120 mm	CTC-1184131	399.75
	1052597		P-UB-10	85 mm	130 mm	CTC-1052601	693.34
	1185931		P-UB-10	85 mm	120 mm	CTC-1186023	426.08
	418840		P-UB-10	65 mm	100 mm	CTC-418914	326.98
	717291		P-UB-10	85 mm	130 mm	CTC-7Y5145	427.56
	7Y5100		P-UB-10	85 mm	130 mm	CTC-7Y5145	427.56
	7Y5150		P-UB-10	105 mm	150 mm	CTC-1163612	482.77
STICK							
	717341		P-UB-10	100 mm	140 mm	CTC-0875387	546.61
MODEL 322B, 322BL							
BOOM							
	1140636		P-UB-10	100 mm	140 mm	CTC-1184024	517.42
	1184069		P-UB-10	90 mm	130 mm	CTC-1373765	761.49
	1184070		P-UB-10	100 mm	140 mm	CTC-1373764	516.32
	1184166		P-UB-10	90 mm	130 mm	CTC-1184175	472.39
	1336869		P-UB-10	90 mm	130 mm	CTC-1540748	460.89

REPLACEMENT KITS FOR CATERPILLAR® EQUIPMENT

Excavators							
APPLICATION	CYL #	Misc-Parts, Instructions, etc.	CODE	ROD	BORE	KIT #	List \$
MODEL 322B, 322BL							
BUCKET							
	1183921		P-UB-10	105 mm	150 mm	CTC-1163612	482.77
	1183921		P-UB-10	105 mm	150 mm	CTC-1680758	542.65
	1184008		P-UB-10	90 mm	130 mm	CTC-1184175	472.39
	1184134		P-UB-10	85 mm	120 mm	CTC-1184131	399.75
	1232044		P-UB-10	90 mm	130 mm	CTC-1184175	472.39
	1232084		P-UB-10	90 mm	130 mm	CTC-1373768	704.71
	1232091		P-UB-10	90 mm	130 mm	CTC-1261887	617.23
	1251547		P-UB-10	65 mm	100 mm	CTC-418914	326.98
	1336810		P-UB-10	105 mm	150 mm	CTC-1289277	588.66
	1346987		P-UB-10	65 mm	100 mm	CTC-1764935	354.00
	1540756		P-UB-10	90 mm	130 mm	CTC-1540757	717.34
	411726		P-UB-10	110 mm	160 mm	CTC-0876654	510.63
	418840		P-UB-10	65 mm	100 mm	CTC-418914	326.98
STICK							
	1163638		P-UB-10	110 mm	170 mm	CTC-1680759	641.06
	1183953		P-UB-10	100 mm	140 mm	CTC-1373764	516.32
	1184000		P-UB-10	105 mm	150 mm	CTC-1163612	482.77
	1184000		P-UB-10	105 mm	150 mm	CTC-1680758	542.65
	1184176		P-UB-10	100 mm	140 mm	CTC-1184024	517.42
	1336771		P-UB-10	105 mm	150 mm	CTC-1373767	670.05
	7Y4650		P-UB-10	105 mm	150 mm	CTC-7Y4698	531.00
TILT CAB							
	N/A		P-UB-10	2-1/4	5	CTC-9X6392	255.99
UNSPECIFIED APPLICATION							
	1183967		P-UB-10	85 mm	120 mm	CTC-1261947	553.74
	1540743		P-UB-10	85 mm	120 mm	CTC-1540744	707.48
	1540747		P-UB-10	90 mm	130 mm	CTC-1540748	460.89
MODEL 322C							
BOOM							
BFK1-UP; BGR1-UP							
	1772440		P-UB-10	90 mm	130 mm	CTC-2159986	200.07
	1772440		Bushing	90 mm		CTC-1140758	63.28
	6C9407		P-UB-10	100 mm	170 mm	CTC-2330763	359.55
	6C9407		Bushing	100 mm		CTC-1140757	77.11
BKM1-UP; BLP1-UP							
	1772440		P-UB-10	90 mm	130 mm	CTC-2159986	200.07
	1772440		Bushing	90 mm		CTC-1140758	63.28
	1915580		P-UB-10	90 mm	130 mm	CTC-2590625	255.68
	1915580		Bushing	90 mm		CTC-1052575	49.56
	2043619		P-UB-10	90 mm	130 mm	CTC-2590628	255.68
	2043619		Bushing	90 mm		CTC-1052575	49.56
	2590711		P-UB-10	90 mm	130 mm	CTC-2590712	258.35
	2590711		Bushing	90 mm		CTC-1052575	49.56
	2897878		P-UB-10	90 mm	130 mm	CTC-2897878K	256.53
	2897878		Bushing	90 mm		CTC-1140758	63.28
BPH1-UP; CAM1-UP; LAR1-UP; MZH1-UP							
	1772440		P-UB-10	90 mm	130 mm	CTC-1799772	330.77
	1772440		Bushing	90 mm		CTC-1140758	63.28
	2044910		P-UB-10	90 mm	130 mm	CTC-2465940	283.81
	2044912		P-UB-10	100 mm	140 mm	CTC-2481167	229.63
	2044912		Bushing	100 mm		CTC-1140757	77.11
C3R1-UP; CBY1-UP							
	1756855		P-UB-10	100 mm	140 mm	CTC-2481163	617.93
	1756855		Bushing	100 mm		CTC-1140757	77.11

REPLACEMENT KITS FOR CATERPILLAR® EQUIPMENT

Excavators							
APPLICATION	CYL #	Misc-Parts, Instructions, etc.	CODE	ROD	BORE	KIT #	List \$
MODEL 322C							
BOOM							
DAA1-UP; FED1-UP							
	2742525		P-UB-10	90 mm	130 mm	CTC-2742526	199.76
	2742525		Bushing	90 mm		CTC-1140758	63.28
BUCKET							
BFK1-UP; BGR1-UP; BKM1-UP; BLP1-UP							
	1772446		P-UB-10	90 mm	130 mm	CTC-2159986	200.07
	1772446		Bushing	90 mm		CTC-1140758	63.28
	1772465		P-UB-10	105 mm	150 mm	CTC-1915619	259.52
	1772465		Bushing	105 mm		CTC-1140760	84.03
	2478853		P-UB-10	105 mm	150 mm	CTC-1915619	259.52
	2478853		Bushing	105 mm		CTC-1140760	84.03
BKM1-UP							
	1346987		P-UB-10	65 mm	100 mm	CTC-1764935	354.00
	1346987		Bushing	65 mm		CTC-1140754	38.00
	2043689		P-UB-10	85 mm	120 mm	CTC-2479001	237.10
	2043689		Bushing	85 mm		CTC-0964402	51.37
BKM1-UP; BLP1-UP							
	1772453		P-UB-10	90 mm	130 mm	CTC-1261887	617.23
	1772453		Bushing	90 mm		CTC-1052575	49.56
	1850346		P-UB-10	85 mm	120 mm	CTC-1540744	707.48
	1850346		Bushing	85 mm		CTC-0964402	51.37
	1915584		P-UB-10	90 mm	130 mm	CTC-2590626	224.45
	1915584		Bushing	90 mm		CTC-1052575	49.56
	2043621		P-UB-10	90 mm	130 mm	CTC-2590627	224.45
	2043621		Bushing	90 mm		CTC-1052575	49.56
	2043696		P-UB-10	85 mm	120 mm	CTC-2479000	237.10
	2043696		Bushing	85 mm		CTC-0964402	51.37
	2590705		P-UB-10	85 mm	120 mm	CTC-2590706	237.10
	2590705		Bushing	85 mm		CTC-0964402	51.37
	2590718		P-UB-10	90 mm	130 mm	CTC-2590719	227.16
	2590718		Bushing	90 mm		CTC-1052575	49.56
	2590746		P-UB-10	105 mm	150 mm	CTC-2590743	200.34
	2590746		Bushing	105 mm		CTC-1140760	84.03
	2897887		P-UB-10	90 mm	130 mm	CTC-2159986	200.07
	2897887		Bushing	90 mm		CTC-1140758	63.28
BKM243-UP; BLP180-UP							
	2043617		P-UB-10	85 mm	120 mm	CTC-2043627	223.74
	2043617		Bushing	85 mm		CTC-0964402	51.37
BPH1-UP; CAM1-UP; LAR1-UP; MZH1-UP							
	2044914		P-UB-10	90 mm	130 mm	CTC-2465940	283.81
C3R1-296; CBY1-UP							
	1232044		P-UB-10	90 mm	130 mm	CTC-1764914	227.00
	1232044		Bushing	90 mm		CTC-1140758	63.28
C3R297-UP							
	1799764		P-UB-10	90 mm	130 mm	CTC-2159986	200.07
	1799764		Bushing	90 mm		CTC-1140758	63.28
DAA1-UP; FED1-UP							
	2742521		P-UB-10	85 mm	120 mm	CTC-2742511	188.30
	2742521		Bushing	85 mm		CTC-1140756	54.86
	2742532		P-UB-10	90 mm	130 mm	CTC-2742526	199.76
	2742532		Bushing	90 mm		CTC-1140758	63.28
CAB TILT							
BPH1-UP; C3R1001-UP; CAM1-UP; LAR1001-UP; LAR1-UP; MZH1-UP							
	1175148		P-UB-10	2-1/4	5	CTC-2417578	101.85
	2632914		P-UB-10	2-1/4	5	CTC-2417578	101.85

REPLACEMENT KITS FOR CATERPILLAR® EQUIPMENT

Excavators							
APPLICATION	CYL #	Misc-Parts, Instructions, etc.	CODE	ROD	BORE	KIT #	List \$
MODEL 322C							
GRAPPLE							
CBY1-UP							
1504569			P-UB-10	2-1/2	4	CTC-1533724	342.30
STICK							
BFK1-UP; BGR1-UP; BKM1-UP; BLP1-UP							
1772443			P-UB-10	100 mm	140 mm	CTC-2159985	196.01
1772443			Bushing	100 mm		CTC-1140757	77.11
BKM1-UP							
1169123			P-UB-10	105 mm	150 mm	CTC-1997416	329.90
1169123			Bushing	105 mm		CTC-1140760	84.03
BKM1-UP; BLP1-UP							
1915582			P-UB-10	100 mm	140 mm	CTC-2590631	246.59
1915582			Bushing	100 mm		CTC-0965625	76.50
2043620			P-UB-10	100 mm	140 mm	CTC-2590633	246.59
2043620			Bushing	100 mm		CTC-0965625	76.50
2590715			P-UB-10	100 mm	140 mm	CTC-2590699	246.59
2590715			Bushing	100 mm		CTC-0965625	76.50
BPH1-UP; CAM1-UP; LAR1-UP; MZH1-UP							
1772443			P-UB-10	100 mm	140 mm	CTC-1589093	196.01
C3R1-UP; CBY1-UP							
1336771			P-UB-10	105 mm	150 mm	CTC-1373767	670.05
1336771			Bushing	105 mm		CTC-0995572	65.80
1433201			P-UB-10	110 mm	170 mm	CTC-1433201K	384.59
1433201			Bushing	110 mm		CTC-1140761	133.61
CBY1-UP							
1163638			P-UB-10	110 mm	170 mm	CTC-1680759	641.06
1163638			Bushing	110 mm		CTC-1140761	133.61
DAA1-UP; FED1-UP							
2742529			P-UB-10	100 mm	140 mm	CTC-2742515	270.97
2742529			Bushing	100 mm		CTC-1140757	77.11
2897884			P-UB-10	100 mm	140 mm	CTC-2478792	296.47
2897884			Bushing	100 mm		CTC-1140757	77.11
MODEL 322C FM LGP							
BOOM							
BYL1-UP							
1756855			P-UB-10	100 mm	140 mm	CTC-2481163	617.93
1756855			Bushing	100 mm		CTC-1140757	77.11
1772440			P-UB-10	90 mm	130 mm	CTC-1799772	330.77
1772440			Bushing	90 mm		CTC-1140758	63.28
BUCKET							
BYL1-UP							
1799764			P-UB-10	90 mm	130 mm	CTC-2159986	200.07
1799764			Bushing	90 mm		CTC-1140758	63.28
CAB TILT							
BYL1001-UP							
2632914	O-ring kit. 2 per application.		O-ring Kit			CTC-1143616	9.81
2632914			P-UB-10	2-1/4	5	CTC-2417578	101.85
BYL1-UP							
1175148	O-ring kit. 2 per application.		O-ring Kit			CTC-1143616	9.81
1175148			P-UB-10	2-1/4	5	CTC-2417578	101.85
STICK							
BYL1-UP							
1336771			P-UB-10	105 mm	150 mm	CTC-1373767	670.05
1336771			Bushing	105 mm		CTC-0995572	65.80
1913118			P-UB-10	110 mm	170 mm	CTC-1913171	384.59
1913118			Bushing	110 mm		CTC-1140761	133.61

REPLACEMENT KITS FOR CATERPILLAR® EQUIPMENT

Excavators							
APPLICATION	CYL #	Misc-Parts, Instructions, etc.	CODE	ROD	BORE	KIT #	List \$
MODEL 322C L							
BOOM							
BKJ1-UP							
1772440			P-UB-10	90 mm	130 mm	CTC-1799772	330.77
1772440			Bushing	90 mm		CTC-1140758	63.28
2044910			P-UB-10	90 mm	130 mm	CTC-2465940	283.81
2044912			P-UB-10	100 mm	140 mm	CTC-2481167	229.63
2044912			Bushing	100 mm		CTC-1140757	77.11
BKM1-UP; BLP1-UP							
1772440			P-UB-10	90 mm	130 mm	CTC-2159986	200.07
1772440			Bushing	90 mm		CTC-1140758	63.28
1915580			P-UB-10	90 mm	130 mm	CTC-2590625	255.68
1915580			Bushing	90 mm		CTC-1052575	49.56
2043619			P-UB-10	90 mm	130 mm	CTC-2590628	255.68
2043619			Bushing	90 mm		CTC-1052575	49.56
2590711			P-UB-10	90 mm	130 mm	CTC-2590712	258.35
2590711			Bushing	90 mm		CTC-1052575	49.56
2897878			P-UB-10	90 mm	130 mm	CTC-2897878K	256.53
2897878			Bushing	90 mm		CTC-1140758	63.28
DAA1-UP; FED1-UP							
2742525			P-UB-10	90 mm	130 mm	CTC-2742526	199.76
2742525			Bushing	90 mm		CTC-1140758	63.28
EMR1-UP; MAR1-UP							
1772440			P-UB-10	90 mm	130 mm	CTC-2159986	200.07
1772440			Bushing	90 mm		CTC-1140758	63.28
2113069			P-UB-10	100 mm	170 mm	CTC-2519341	423.26
2113069			Bushing	100 mm		CTC-1140757	77.11
BUCKET							
BKJ1-UP							
1589061			P-U-10	85 mm	120 mm	CTC-2366389	175.29
1589061			Bushing	85 mm		CTC-1140756	54.86
2044914			P-UB-10	90 mm	130 mm	CTC-2465940	283.81
BKJ1-UP; BKM1-UP							
1346987			P-UB-10	65 mm	100 mm	CTC-1764935	354.00
1346987			Bushing	65 mm		CTC-1140754	38.00
BKJ1-UP; BKM1-UP; BLP1-UP; EMR1-UP; MAR1-UP							
1772446			P-UB-10	90 mm	130 mm	CTC-2159986	200.07
1772446			Bushing	90 mm		CTC-1140758	63.28
1772465			P-UB-10	105 mm	150 mm	CTC-1915619	259.52
1772465			Bushing	105 mm		CTC-1140760	84.03
BKM1-UP							
2043689			P-UB-10	85 mm	120 mm	CTC-2479001	237.10
2043689			Bushing	85 mm		CTC-0964402	51.37

REPLACEMENT KITS FOR CATERPILLAR® EQUIPMENT

Excavators							
APPLICATION	CYL #	Misc-Parts, Instructions, etc.	CODE	ROD	BORE	KIT #	List \$
MODEL 322C L							
BUCKET							
BKM1-UP; BLP1-UP							
1772453			P-UB-10	90 mm	130 mm	CTC-1261887	617.23
1772453			Bushing	90 mm		CTC-1052575	49.56
1850346			P-UB-10	85 mm	120 mm	CTC-1540744	707.48
1850346			Bushing	85 mm		CTC-0964402	51.37
1915584			P-UB-10	90 mm	130 mm	CTC-2590626	224.45
1915584			Bushing	90 mm		CTC-1052575	49.56
2043621			P-UB-10	90 mm	130 mm	CTC-2590627	224.45
2043621			Bushing	90 mm		CTC-1052575	49.56
2043696			P-UB-10	85 mm	120 mm	CTC-2479000	237.10
2043696			Bushing	85 mm		CTC-0964402	51.37
2590705			P-UB-10	85 mm	120 mm	CTC-2590706	237.10
2590705			Bushing	85 mm		CTC-0964402	51.37
2590718			P-UB-10	90 mm	130 mm	CTC-2590719	227.16
2590718			Bushing	90 mm		CTC-1052575	49.56
2590746			P-UB-10	105 mm	150 mm	CTC-2590743	200.34
2590746			Bushing	105 mm		CTC-1140760	84.03
2897887			P-UB-10	90 mm	130 mm	CTC-2159986	200.07
2897887			Bushing	90 mm		CTC-1140758	63.28
BKM1-UP; BLP1-UP; EMR1-UP; MAR1-UP							
2478853			P-UB-10	105 mm	150 mm	CTC-1915619	259.52
2478853			Bushing	105 mm		CTC-1140760	84.03
BKM243-UP; BLP180-UP							
2043617			P-UB-10	85 mm	120 mm	CTC-2043627	223.74
2043617			Bushing	85 mm		CTC-0964402	51.37
DAA1-UP; FED1-UP							
2742521			P-UB-10	85 mm	120 mm	CTC-2742511	188.30
2742521			Bushing	85 mm		CTC-1140756	54.86
2742532			P-UB-10	90 mm	130 mm	CTC-2742526	199.76
2742532			Bushing	90 mm		CTC-1140758	63.28
HEK1-UP							
1709808			P-UB-10	65 mm	100 mm	CTC-1709941	207.55
1709808			Bushing	65 mm		CTC-1140754	38.00
QUICK COUPLER							
BKJ1-UP							
1728402			I-U-10	50 mm	70 mm	CTC-1728487	87.21
STICK							
BKJ1-UP							
1169123			P-UB-10	105 mm	150 mm	CTC-1997416	329.90
1169123			Bushing	105 mm		CTC-1140760	84.03
1772443			P-UB-10	100 mm	140 mm	CTC-1589093	196.01
BKM1-UP							
1169123			P-UB-10	105 mm	150 mm	CTC-1997416	329.90
1169123			Bushing	105 mm		CTC-1140760	84.03
BKM1-UP; BLP1-UP							
1915582			P-UB-10	100 mm	140 mm	CTC-2590631	246.59
1915582			Bushing	100 mm		CTC-0965625	76.50
2043620			P-UB-10	100 mm	140 mm	CTC-2590633	246.59
2043620			Bushing	100 mm		CTC-0965625	76.50
2590715			P-UB-10	100 mm	140 mm	CTC-2590699	246.59
2590715			Bushing	100 mm		CTC-0965625	76.50
BKM1-UP; BLP1-UP; EMR1-UP; MAR1-UP							
1772443			P-UB-10	100 mm	140 mm	CTC-2159985	196.01
1772443			Bushing	100 mm		CTC-1140757	77.11

REPLACEMENT KITS FOR CATERPILLAR® EQUIPMENT

Excavators							
APPLICATION	CYL #	Misc-Parts, Instructions, etc.	CODE	ROD	BORE	KIT #	List \$
MODEL 322C L							
STICK							
DAA1-UP; EMR1-UP; FED1-UP; MAR1-UP							
2897884			P-UB-10	100 mm	140 mm	CTC-2478792	296.47
2897884			Bushing	100 mm		CTC-1140757	77.11
DAA1-UP; FED1-UP							
2742529			P-UB-10	100 mm	140 mm	CTC-2742515	270.97
2742529			Bushing	100 mm		CTC-1140757	77.11
HEK1-UP							
2166607			P-UB-10	105 mm	150 mm	CTC-1915619	259.52
2166607			Bushing	105 mm		CTC-1140760	84.03
MODEL 322C LN							
BOOM							
BFK1-UP; BGR1-UP							
6C9407			P-UB-10	100 mm	170 mm	CTC-2330763	359.55
6C9407			Bushing	100 mm		CTC-1140757	77.11
BFK1-UP; BGR1-UP; EMR1-UP; MAR1-UP							
1772440			P-UB-10	90 mm	130 mm	CTC-2159986	200.07
1772440			Bushing	90 mm		CTC-1140758	63.28
EMR1-UP; MAR1-UP							
2113069			P-UB-10	100 mm	170 mm	CTC-2519341	423.26
2113069			Bushing	100 mm		CTC-1140757	77.11
BUCKET							
BFK1-UP; BGR1-UP; EMR1-UP; MAR1-UP							
1772446			P-UB-10	90 mm	130 mm	CTC-2159986	200.07
1772446			Bushing	90 mm		CTC-1140758	63.28
1772465			P-UB-10	105 mm	150 mm	CTC-1915619	259.52
1772465			Bushing	105 mm		CTC-1140760	84.03
2478853			P-UB-10	105 mm	150 mm	CTC-1915619	259.52
2478853			Bushing	105 mm		CTC-1140760	84.03
STICK							
BFK1-UP; BGR1-UP; EMR1-UP; MAR1-UP							
1772443			P-UB-10	100 mm	140 mm	CTC-2159985	196.01
1772443			Bushing	100 mm		CTC-1140757	77.11
EMR1-UP; MAR1-UP							
2897884			P-UB-10	100 mm	140 mm	CTC-2478792	296.47
2897884			Bushing	100 mm		CTC-1140757	77.11
MODEL 322L							
BOOM							
1052571			P-UB-10	90 mm	130 mm	CTC-1052585	464.55
1052588			P-UB-10	100 mm	140 mm	CTC-1270630	517.42
711345			P-UB-10	90 mm	130 mm	CTC-711360	474.59
BUCKET							
1052597			P-UB-10	85 mm	130 mm	CTC-1052601	693.34
717291			P-UB-10	85 mm	130 mm	CTC-7Y5145	427.56
7Y5100			P-UB-10	85 mm	130 mm	CTC-7Y5145	427.56
7Y5150			P-UB-10	105 mm	150 mm	CTC-1163612	482.77
875633			P-UB-10	85 mm	120 mm	CTC-0875394	414.00
STICK							
717341			P-UB-10	100 mm	140 mm	CTC-0875387	546.61
MODEL 322N							
BOOM							
711345			P-UB-10	90 mm	130 mm	CTC-711360	474.59
BUCKET							
717291			P-UB-10	85 mm	130 mm	CTC-7Y5145	427.56
7Y5100			P-UB-10	85 mm	130 mm	CTC-7Y5145	427.56
7Y5150			P-UB-10	105 mm	150 mm	CTC-1163612	482.77

REPLACEMENT KITS FOR CATERPILLAR® EQUIPMENT

Excavators							
APPLICATION	CYL #	Misc-Parts, Instructions, etc.	CODE	ROD	BORE	KIT #	List \$
MODEL 322N							
STICK							
	717341		P-UB-10	100 mm	140 mm	CTC-0875387	546.61
MODEL 323							
BOOM							
BR91-UP; KPE1-UP; KTY1-UP; LTN1-UP; NDL1-UP; RAZ1-UP; YBL1-UP							
	5109212		P-UB-10	85 mm	120 mm	CTC-4560197	216.42
	5109212		Bushing	85 mm		CTC-0964402	51.37
DWF1-UP; HDL1-UP; LTN1-UP; NDL1-UP; RAZ1-UP							
	5158513	Heavy Lift Boom	P-UB-10	90 mm	125 mm	CTC-4560198	232.31
	5158513	Heavy Lift Boom	Bushing	90 mm		CTC-1052575	49.56
HDL1-UP; KPE1-UP; LTN1-UP; NDL1-UP; RAZ1-UP							
	5433884	Variable Adjustment Boom	P-UB-14	95 mm	160 mm	CTC-5542902	455.14
	5433884	Variable Adjustment Boom	Bushing	95 mm		CTC-3852931	54.60
KTY1-UP							
	5234008	Variable Adjustment Boom	P-UB-10	85 mm	120 mm	CTC-4642931	319.82
	5234008	Variable Adjustment Boom	Bushing	85 mm		CTC-0964402	51.37
RAZ1-UP							
	3605447	Variable Adjustment Boom	P-UB-10	95 mm	160 mm	CTC-3629412	354.11
	3605447	Variable Adjustment Boom	Bushing	95 mm		CTC-6C6093	70.66
BUCKET							
BR91-UP; DWF1-UP; HDL1-UP; KTY1-UP; LTN1-UP; NDL1-UP; RAZ1-UP; YBL1-UP							
	4904180		P-UB-10	85 mm	120 mm	CTC-4560207	210.47
	4904180		Bushing	85 mm		CTC-0964402	51.37
HDL1-UP; KTY1-UP; LTN1-UP; NDL1-UP; RAZ1-UP; YBL1-UP							
	3852834		P-UB-14	70 mm	100 mm	CTC-3904227	357.72
	3852834		Bushing	70 mm		CTC-3904158	37.36
KTY1-UP; YBL1-UP							
	5234012		P-UB-10	85 mm	120 mm	CTC-4642932	289.84
	5234012		Bushing	85 mm		CTC-0964402	51.37
COUPLER							
BR91-UP; KPE1-UP; NDL1-UP							
	3909505		I-U-10	1-1/2	2-1/2	CTC-4536523	24.49
KPE1-UP							
	2948011		P-U-10,12	2	3-1/2	CTC-3460643	70.28
NDL1-UP							
	5638380		I-UB-10	40 mm	63 mm	CTC-5765831	94.58
	5776377		I-U-10	40 mm	63 mm	CTC-5770457	67.01
STICK							
BR91-UP; DWF1-UP; HDL1-UP; KPE1-UP; KTY1-UP; LTN1-UP; NDL1-UP; RAZ1-UP; YBL1-UP							
	4904144		P-UB-10	100 mm	140 mm	CTC-5261958	287.41
	4904144		Bushing	100 mm		CTC-0965625	76.50
DWF1-UP; HDL1-UP; KPE1-UP; KTY1-UP; LTN1-UP; NDL1-UP; RAZ1-UP; YBL1-UP							
	5863638		P-UB-10	100 mm	140 mm	CTC-5261958	287.41
	5863638		Bushing	100 mm		CTC-0965625	76.50
HDL1-UP; KTY1-UP; LTN1-UP; NDL1-UP; RAZ1-UP							
	5656417		P-UB-10	105 mm	150 mm	CTC-4560205	358.90
	5656417		Bushing	105 mm		CTC-0995572	65.80
KTY1-UP							
	5234010		P-UB-10	100 mm	140 mm	CTC-5282579	345.64
	5234010		Bushing	100 mm		CTC-0965625	76.50
RAZ1-UP							
	3412177		P-UB-10	105 mm	150 mm	CTC-4560205	358.90
	3412177		Bushing	105 mm		CTC-0995572	65.80
YBL1-UP							
	5863644		P-UB-10	100 mm	140 mm	CTC-5282579	345.64
	5863644		Bushing	100 mm		CTC-0965625	76.50

REPLACEMENT KITS FOR CATERPILLAR® EQUIPMENT

Excavators							
APPLICATION	CYL #	Misc-Parts, Instructions, etc.	CODE	ROD	BORE	KIT #	List \$
MODEL 323							
TRACK ADJ							
BR91-UP; DWF1-UP; HDL1-UP; KPE1-UP; KTY1-UP; LTN1-UP; NDL1-UP; RAZ1-UP; YBL1-UP							
	4897197		TRK ADJ			CTC-SK100110	71.42
MODEL 323 GC							
BOOM							
FJM1-UP							
	5109212		P-UB-10	85 mm	120 mm	CTC-4560197	216.42
	5109212		Bushing	85 mm		CTC-0964402	51.37
BUCKET							
FJM1-UP							
	4904180		P-UB-10	85 mm	120 mm	CTC-4560207	210.47
	4904180		Bushing	85 mm		CTC-0964402	51.37
STICK							
FJM1-UP							
	5863638		P-UB-10	100 mm	140 mm	CTC-5261958	287.41
	5863638		Bushing	100 mm		CTC-0965625	76.50
TRACK ADJ							
FJM1-UP							
	4897197		TRK ADJ			CTC-SK100110	71.42
MODEL 323F L							
BOOM							
XCF1-UP							
	3412790		P-UB-10	85 mm	120 mm	CTC-4560197	216.42
	3412790		Bushing	85 mm		CTC-0964402	51.37
YEJ1-UP							
	3319283		P-UB-10	90 mm	125 mm	CTC-4560198	232.31
	3319283		Bushing	90 mm		CTC-1052575	49.56
BUCKET							
XCF1-UP							
	3852834		P-UB-14	70 mm	100 mm	CTC-3904227	357.72
	3852834		Bushing	70 mm		CTC-3904158	37.36
XCF1-UP; YEJ1-UP							
	3412814		P-UB-10	85 mm	120 mm	CTC-4560207	210.47
	3412814		Bushing	85 mm		CTC-0964402	51.37
	3568788		P-UB-10	85 mm	120 mm	CTC-3979294	233.87
	3568788		Bushing	85 mm		CTC-1140756	54.86
BUCKET LH							
XCF1-UP; YEJ1-UP							
	4699342		P-U-10	50 mm	80 mm	CTC-5016702	122.41
BUCKET RH							
XCF1-UP; YEJ1-UP							
	4699353		P-U-10	50 mm	80 mm	CTC-5016702	122.41
COUPLER							
XCF1-UP; YEJ1-UP							
	3909505		I-U-10	1-1/2	2-1/2	CTC-4536523	24.49
STICK							
XCF1-UP							
	3412177		P-UB-10	105 mm	150 mm	CTC-4560205	358.90
	3412177		Bushing	105 mm		CTC-0995572	65.80
XCF1-UP; YEJ1-UP							
	3412802		P-UB-10	100 mm	140 mm	CTC-4560202	300.14
	3412802		Bushing	100 mm		CTC-0965625	76.50
TRACK ADJUSTER							
XCF1-UP; YEJ1-UP							
	2394390		TRK ADJ			CTC-SK100110	71.42

CATERPILLAR®

REPLACEMENT KITS FOR CATERPILLAR® EQUIPMENT

Excavators							
APPLICATION	CYL #	Misc-Parts, Instructions, etc.	CODE	ROD	BORE	KIT #	List \$
MODEL 324D L							
BOOM							
BTK1-UP; JYG1-UP; LAB1-UP; PYT1-UP; SYM1-UP							
2897957			P-UB-10	95 mm	135 mm	CTC-2344488	228.92
2897957			Bushing	95 mm		CTC-1289260	65.66
DFP1-UP; JAT1-UP							
2667981			P-UB-10	95 mm	135 mm	CTC-2668013	273.59
2667981			Bushing	95 mm		CTC-0964430	55.81
2667981			Link Pin Seal	90 mm		CTC-1661495	49.60
2667981			Link Pin Seal	90 mm		CTC-7X4803	49.60
DFP1-UP; JAT1-UP; PYT1-UP							
2426858			P-UB-10	95 mm	135 mm	CTC-2590665	273.59
2426858			Bushing	95 mm		CTC-0964430	55.81
2426858			Link Pin Seal	90 mm		CTC-1661495	49.60
2426858			Link Pin Seal	90 mm		CTC-7X4803	49.60
2426862			P-UB-10	100 mm	140 mm	CTC-2478974	314.97
2426862			Bushing	100 mm		CTC-0965625	76.50
DFP1-UP; JAT1-UP; PYT1-UP; TSN1-UP							
2426867			P-UB-10	95 mm	135 mm	CTC-2590774	265.64
2426867			Bushing	95 mm		CTC-0964430	55.81
2426867			Link Pin Seal	90 mm		CTC-1661495	49.60
2426867			Link Pin Seal	90 mm		CTC-7X4803	49.60
JYG1-UP; LAB1-UP; SYM1-UP							
2426849			P-UB-10	95 mm	135 mm	CTC-2344488	228.92
2426849			Bushing	95 mm		CTC-1289260	65.66
BUCKET							
BTK1-UP; JYG1-UP; LAB1-UP; PYT1-UP; SYM1-UP							
2897975			P-UB-10	90 mm	130 mm	CTC-2159986	200.07
2897975			Bushing	90 mm		CTC-1140758	63.28
3154451			P-UB-10	105 mm	150 mm	CTC-1915619	259.52
3154451			Bushing	105 mm		CTC-1140760	84.03
DFP1-UP							
3494134			P-UB-10	85 mm	120 mm	CTC-3500967	364.05
3494134			Bushing	85 mm		CTC-0964402	51.37
DFP1-UP; JAT1-UP							
2667985			P-UB-10	90 mm	130 mm	CTC-2668014	654.96
2667985			Bushing	90 mm		CTC-1052575	49.56
2897699			P-UB-10	70 mm	100 mm	CTC-2836179	310.74
2897699			Bushing	70 mm		CTC-1140753	43.69
DFP1-UP; JAT1-UP; PYT1-UP							
2426756			P-UB-10	85 mm	120 mm	CTC-2478888	219.22
2426756			Bushing	85 mm		CTC-0964402	51.37
2426759			P-UB-10	85 mm	120 mm	CTC-2667892	219.22
2426759			Bushing	85 mm		CTC-0964402	51.37
2426864			P-UB-10	90 mm	130 mm	CTC-2590678	208.31
2426864			Bushing	90 mm		CTC-1052575	49.56
DFP1-UP; JAT1-UP; PYT1-UP; SYM1-UP							
3154442			P-UB-10	105 mm	150 mm	CTC-1915619	259.52
3154442			Bushing	105 mm		CTC-1140760	84.03
DFP1-UP; JAT1-UP; PYT1-UP; TSN1-UP							
2426871			P-UB-10	90 mm	130 mm	CTC-2590776	486.69
2426871			Bushing	90 mm		CTC-1052575	49.56
3154449			P-UB-10	105 mm	150 mm	CTC-2502475	217.70
3154449			Bushing	105 mm		CTC-1140760	84.03

REPLACEMENT KITS FOR CATERPILLAR® EQUIPMENT

Excavators							
APPLICATION	CYL #	Misc-Parts, Instructions, etc.	CODE	ROD	BORE	KIT #	List \$
MODEL 324D L							
BUCKET							
DFP1-UP; JYG1-UP							
2487855			P-UB-10	65 mm	100 mm	CTC-1709941	207.55
2487855			Bushing	65 mm		CTC-1140754	38.00
2836118			P-UB-10	65 mm	100 mm	CTC-1709941	207.55
2836118			Bushing	65 mm		CTC-1140754	38.00
JYG1-UP							
2426767			P-UB-10	85 mm	120 mm	CTC-2478790	175.29
2426767			Bushing	85 mm		CTC-1140756	54.86
JYG1-UP; LAB1-UP; SYM1-UP							
2426855			P-UB-10	90 mm	130 mm	CTC-2159986	200.07
2426855			Bushing	90 mm		CTC-1140758	63.28
2898012			P-UB-10	105 mm	150 mm	CTC-1915619	259.52
2898012			Bushing	105 mm		CTC-1140760	84.03
JYG1-UP; PYT1-UP							
2897948			P-UB-10	85 mm	120 mm	CTC-2478790	175.29
2897948			Bushing	85 mm		CTC-1140756	54.86
JYG1-UP; SYM1-UP							
2254581			P-UB-10	105 mm	150 mm	CTC-1915619	259.52
2254581			Bushing	105 mm		CTC-1140760	84.03
PYT1-UP							
2898086			P-UB-10	70 mm	100 mm	CTC-2836179	310.74
2898086			Bushing	70 mm		CTC-1140753	43.69
CAB RISER							
DFP1-UP							
2358287			P-UB-14	60 mm	90 mm	CTC-1697827	330.72
2358287			Bushing	60 mm		CTC-1140751	35.82
COUPLER							
BTK1-UP; SYM1-UP							
1690753			P-U-5	40 mm	70 mm	CTC-2191322	55.25
SYM1-UP							
1690329			I-U-5	40 mm	60 mm	CTC-2027897	66.15
FORE BOOM							
SYM1-UP							
2798111			P-UB-10	100 mm	170 mm	CTC-2519341	423.26
2798111			Bushing	100 mm		CTC-1140757	77.11
STICK							
BTK1-UP; JYG270-UP; LAB1-UP; SYM1-UP							
2897967			P-UB-10	100 mm	140 mm	CTC-2478792	296.47
2897967			Bushing	100 mm		CTC-1140757	77.11
DFP1-UP; JAT1-UP							
2667983			P-UB-10	100 mm	140 mm	CTC-2668012	314.97
2667983			Bushing	100 mm		CTC-0965625	76.50
DFP1-UP; JAT1-UP; JYG1-UP; PYT1-UP							
2166607			P-UB-10	105 mm	150 mm	CTC-1915619	259.52
2166607			Bushing	105 mm		CTC-1140760	84.03
DFP1-UP; JAT1-UP; PYT1-UP							
2426860			P-UB-10	100 mm	140 mm	CTC-2478878	314.97
2426860			Bushing	100 mm		CTC-0965625	76.50
DFP1-UP; JAT1-UP; PYT1-UP; TSN1-UP							
2426869			P-UB-10	100 mm	140 mm	CTC-2590775	314.97
2426869			Bushing	100 mm		CTC-0965625	76.50
JYG1-UP; LAB1-UP; SYM1-UP							
2426852			P-UB-10	100 mm	140 mm	CTC-2478792	296.47
2426852			Bushing	100 mm		CTC-1140757	77.11

REPLACEMENT KITS FOR CATERPILLAR® EQUIPMENT

Excavators							
APPLICATION	CYL #	Misc-Parts, Instructions, etc.	CODE	ROD	BORE	KIT #	List \$
MODEL 324E							
BOOM							
JCZ1-UP							
	3408939		P-UB-10	95 mm	135 mm	CTC-4560199	272.74
	3408939		Bushing	95 mm		CTC-0964430	55.81
BUCKET							
JCZ1-UP							
	3408949		P-UB-10	90 mm	130 mm	CTC-4560208	351.85
	3408949		Bushing	90 mm		CTC-1052575	49.56
	3579766		P-UB-10	105 mm	150 mm	CTC-3249485	300.77
	3579766		Bushing	105 mm		CTC-1140760	84.03
COUPLER							
JCZ1-UP							
	2948011		P-U-10,12	2	3-1/2	CTC-3460643	70.28
STICK							
JCZ1-UP							
	3408944		P-UB-10	100 mm	140 mm	CTC-4560204	288.10
	3408944		Bushing	100 mm		CTC-0965625	76.50
TRACK ADJUSTER							
JCZ1-UP							
	2394373		TRK ADJ			CTC-SK100161	117.49
MODEL 324E L							
BOOM							
KTE1-UP; PNW1-UP; TLF1-UP							
	3408939		P-UB-10	95 mm	135 mm	CTC-4560199	272.74
	3408939		Bushing	95 mm		CTC-0964430	55.81
BUCKET							
KTE1-UP; PNW1-UP							
	3852834		P-UB-14	70 mm	100 mm	CTC-3904227	357.72
	3852834		Bushing	70 mm		CTC-3904158	37.36
KTE1-UP; PNW1-UP; TLF1-UP							
	3408949		P-UB-10	90 mm	130 mm	CTC-4560208	351.85
	3408949		Bushing	90 mm		CTC-1052575	49.56
	3579766		P-UB-10	105 mm	150 mm	CTC-3249485	300.77
	3579766		Bushing	105 mm		CTC-1140760	84.03
	3582108		P-UB-10	70 mm	100 mm	CTC-3494121	297.60
	3582108		Bushing	70 mm		CTC-1140753	43.69
PNW1-UP; TLF1-UP							
	3566515		P-UB-10	95 mm	135 mm	CTC-3979295	392.71
	3566515		Bushing	95 mm		CTC-1289260	65.66
COUPLER							
KTE1-UP; PNW1-UP; TLF1-UP							
	2948011		P-U-10,12	2	3-1/2	CTC-3460643	70.28
COUPLER LOCK							
TLF1-UP							
	1690753		P-U-5	40 mm	70 mm	CTC-2191322	55.25
FORE BOOM							
TLF1-UP							
	2798111		P-UB-10	100 mm	170 mm	CTC-2519341	423.26
	2798111		Bushing	100 mm		CTC-1140757	77.11
STICK							
KTE1-UP; PNW1-UP; TLF1-UP							
	2166607	Type 1	P-UB-10	105 mm	150 mm	CTC-1915619	259.52
	2166607	Type 2	P-UB-10	105 mm	150 mm	CTC-3249485	300.77
	2166607	Type 1 & 2	Bushing	105 mm		CTC-1140760	84.03
	3408944		P-UB-10	100 mm	140 mm	CTC-4560204	288.10
	3408944		Bushing	100 mm		CTC-0965625	76.50

REPLACEMENT KITS FOR CATERPILLAR® EQUIPMENT

Excavators							
APPLICATION	CYL #	Misc-Parts, Instructions, etc.	CODE	ROD	BORE	KIT #	List \$
MODEL 324E L							
STICK							
PNW1-UP; TLF1-UP							
3408947			P-UB-10	100 mm	140 mm	CTC-4560204	288.10
3408947			Bushing	100 mm		CTC-0965625	76.50
TRACK ADJUSTER							
KTE1-UP; PNW1-UP; TLF1-UP							
2394373			TRK ADJ			CTC-SK100161	117.49
MODEL 324E LN							
BOOM							
LDG1-UP							
3408939			P-UB-10	95 mm	135 mm	CTC-4560199	272.74
3408939			Bushing	95 mm		CTC-0964430	55.81
BUCKET							
LDG1-UP							
3408949			P-UB-10	90 mm	130 mm	CTC-4560208	351.85
3408949			Bushing	90 mm		CTC-1052575	49.56
3566515			P-UB-10	95 mm	135 mm	CTC-3979295	392.71
3566515			Bushing	95 mm		CTC-1289260	65.66
3579766			P-UB-10	105 mm	150 mm	CTC-3249485	300.77
3579766			Bushing	105 mm		CTC-1140760	84.03
COUPLER							
LDG1-UP							
2948011			P-U-10,12	2	3-1/2	CTC-3460643	70.28
COUPLER LOCK							
LDG1-UP							
1690753			P-U-5	40 mm	70 mm	CTC-2191322	55.25
FORE BOOM							
LDG1-UP							
2798111			P-UB-10	100 mm	170 mm	CTC-2519341	423.26
2798111			Bushing	100 mm		CTC-1140757	77.11
STICK							
LDG1-UP							
2166607	Type 1		P-UB-10	105 mm	150 mm	CTC-1915619	259.52
2166607	Type 2		P-UB-10	105 mm	150 mm	CTC-3249485	300.77
2166607	Type 1 & 2		Bushing	105 mm		CTC-1140760	84.03
3408944			P-UB-10	100 mm	140 mm	CTC-4560204	288.10
3408944			Bushing	100 mm		CTC-0965625	76.50
3408947			P-UB-10	100 mm	140 mm	CTC-4560204	288.10
3408947			Bushing	100 mm		CTC-0965625	76.50
TRACK ADJUSTER							
LDG1-UP							
2394373			TRK ADJ			CTC-SK100161	117.49
MODEL 325B, 325BL							
BOOM							
1077040			P-UB-10	100 mm	140 mm	CTC-1373766	495.62
1140636			P-UB-10	100 mm	140 mm	CTC-1184024	517.42
1169123			P-UB-10	105 mm	150 mm	CTC-1163612	482.77
1232081			P-UB-10	105 mm	150 mm	CTC-1373767	670.05
1540760			P-UB-10	100 mm	140 mm	CTC-1540761	611.54

REPLACEMENT KITS FOR CATERPILLAR® EQUIPMENT

Excavators							
APPLICATION	CYL #	Misc-Parts, Instructions, etc.	CODE	ROD	BORE	KIT #	List \$
MODEL 325B, 325BL							
BUCKET							
1183921			P-UB-10	105 mm	150 mm	CTC-1163612	482.77
1183921			P-UB-10	105 mm	150 mm	CTC-1680758	542.65
1184134			P-UB-10	85 mm	120 mm	CTC-1184131	399.75
1232044			P-UB-10	90 mm	130 mm	CTC-1184175	472.39
1232044	325BL Only		P-UB-10	90 mm	130 mm	CTC-1764914	227.00
1232084			P-UB-10	90 mm	130 mm	CTC-1373768	704.71
1336810			P-UB-10	105 mm	150 mm	CTC-1289277	588.66
1497610			P-UB-10	90 mm	130 mm	CTC-1184175	472.39
1540756			P-UB-10	90 mm	130 mm	CTC-1540757	717.34
1540772			P-UB-10	90 mm	130 mm	CTC-1540773	716.85
411726			P-UB-10	110 mm	160 mm	CTC-0876654	510.63
417652			P-UB-10	65 mm	100 mm	CTC-417664	327.13
418840			P-UB-10	65 mm	100 mm	CTC-418914	326.98
STICK							
0875375			P-UB-10	130 mm	180 mm	CTC-0875407	636.93
1163638			P-UB-10	110 mm	170 mm	CTC-1680759	641.06
1184000			P-UB-10	105 mm	150 mm	CTC-1163612	482.77
1184000			P-UB-10	105 mm	150 mm	CTC-1680758	542.65
1232081			P-UB-10	105 mm	150 mm	CTC-1373767	670.05
1479427			P-UB-10	105 mm	150 mm	CTC-1680758	542.65
1540765			P-UB-10	105 mm	150 mm	CTC-1540766	627.85
7Y4650			P-UB-10	105 mm	150 mm	CTC-7Y4698	531.00
MODEL 325C							
BOOM							
AMH1-UP; BKW1-UP; BMM1-UP; BTD1-UP							
2096006			P-UB-10	100 mm	140 mm	CTC-2590634	241.97
2096006			Bushing	100 mm		CTC-0965625	76.50
BKW1-UP; BMM1-UP							
1799789			P-UB-10	100 mm	140 mm	CTC-1336823	513.76
1799789			Bushing	100 mm		CTC-0965625	76.50
1915587			P-UB-10	100 mm	140 mm	CTC-2590632	241.97
1915587			Bushing	100 mm		CTC-0965625	76.50
2590724			P-UB-10	100 mm	140 mm	CTC-2590725	241.97
2590724			Bushing	100 mm		CTC-0965625	76.50
JLC1-UP							
2033906			P-UB-10	105 mm	150 mm	CTC-1915619	259.52
2033906			Bushing	105 mm		CTC-1140760	84.03
JLD1-UP							
1799782			P-UB-10	100 mm	140 mm	CTC-2159985	196.01
1799782			Bushing	100 mm		CTC-1140757	77.11
1915548			P-UB-10	105 mm	150 mm	CTC-1915619	259.52
1915548			Bushing	105 mm		CTC-1140760	84.03
2113069			P-UB-10	100 mm	170 mm	CTC-2519341	423.26
2113069			Bushing	100 mm		CTC-1140757	77.11
2502419			P-UB-10	105 mm	150 mm	CTC-2426840	280.78
2502419			Bushing	105 mm		CTC-1140760	84.03
BUCKET							
AMH1-UP; BKW1-UP; BMM1-UP; BTD1-UP							
2096011			P-UB-10	90 mm	130 mm	CTC-2590627	224.45
2096011			Bushing	90 mm		CTC-1052575	49.56
AMH1-UP; BTD1-UP; JLC1-UP; JLD1-UP							
1772465			P-UB-10	105 mm	150 mm	CTC-1915619	259.52
1772465			Bushing	105 mm		CTC-1140760	84.03
2478853			P-UB-10	105 mm	150 mm	CTC-1915619	259.52
2478853			Bushing	105 mm		CTC-1140760	84.03

REPLACEMENT KITS FOR CATERPILLAR® EQUIPMENT

Excavators							
APPLICATION	CYL #	Misc-Parts, Instructions, etc.	CODE	ROD	BORE	KIT #	List \$
MODEL 325C							
BUCKET							
BKW1-UP; BMM1-UP							
1799793			P-UB-10	90 mm	130 mm	CTC-2590626	224.45
1799793			Bushing	90 mm		CTC-1052575	49.56
1948276			P-UB-10	105 mm	150 mm	CTC-2003315	259.52
1948276			Bushing	105 mm		CTC-1140760	84.03
2478854			P-UB-10	105 mm	150 mm	CTC-2502475	217.70
2478854			Bushing	105 mm		CTC-1140760	84.03
2590732			P-UB-10	90 mm	130 mm	CTC-2590719	227.16
2590732			Bushing	90 mm		CTC-1052575	49.56
JLC1-UP							
2201532			P-UB-10	100 mm	140 mm	CTC-2159985	196.01
2201532			Bushing	100 mm		CTC-1140757	77.11
JLC1-UP; JLD1-UP							
1799764			P-UB-10	90 mm	130 mm	CTC-2159986	200.07
1799764			Bushing	90 mm		CTC-1140758	63.28
STICK							
AMH1-UP; BKW1-UP; BMM1-UP; BTD1-UP							
1799791			P-UB-10	105 mm	150 mm	CTC-2590637	550.36
1799791			Bushing	105 mm		CTC-0995572	65.80
2096008			P-UB-10	105 mm	150 mm	CTC-2590637	550.36
2096008			Bushing	105 mm		CTC-0995572	65.80
BKW1-UP; BMM1-UP							
1915589			P-UB-10	105 mm	150 mm	CTC-2590636	550.36
1915589			Bushing	105 mm		CTC-0995572	65.80
2590728			P-UB-10	105 mm	150 mm	CTC-2590729	550.36
2590728			Bushing	105 mm		CTC-0995572	65.80
JLC1-UP							
2044907			P-UB-10	95 mm	160 mm	CTC-2521191	312.45
2044907			Bushing	95 mm		CTC-6C6093	70.66
JLC1-UP; JLD1-UP							
1799785	Type 1		P-UB-10	105 mm	150 mm	CTC-1915619	259.52
1799785	Type 2		P-UB-10	105 mm	150 mm	CTC-2426840	280.78
1799785	Type 1 and Type 2		Bushing	105 mm		CTC-1140760	84.03
1915551			P-UB-10	115 mm	170 mm	CTC-2316844	508.33
MODEL 325C L							
BOOM							
AMH1-UP; BKW1-UP; BMM1-UP; BTD1-UP							
2096006			P-UB-10	100 mm	140 mm	CTC-2590634	241.97
2096006			Bushing	100 mm		CTC-0965625	76.50
BFE1-UP; CRB1-UP; CSJ1-UP; JLC1-UP; JLD1-UP							
1799782			P-UB-10	100 mm	140 mm	CTC-2159985	196.01
1799782			Bushing	100 mm		CTC-1140757	77.11
BKW1-UP; BMM1-UP							
1799789			P-UB-10	100 mm	140 mm	CTC-1336823	513.76
1799789			Bushing	100 mm		CTC-0965625	76.50
1915587			P-UB-10	100 mm	140 mm	CTC-2590632	241.97
1915587			Bushing	100 mm		CTC-0965625	76.50
2590724			P-UB-10	100 mm	140 mm	CTC-2590725	241.97
2590724			Bushing	100 mm		CTC-0965625	76.50
CRB1-UP; CSJ1-UP; JLC1-UP; JLD1-UP							
2113069			P-UB-10	100 mm	170 mm	CTC-2519341	423.26
2113069			Bushing	100 mm		CTC-1140757	77.11
JLC1-UP							
2033906			P-UB-10	105 mm	150 mm	CTC-1915619	259.52
2033906			Bushing	105 mm		CTC-1140760	84.03

REPLACEMENT KITS FOR CATERPILLAR® EQUIPMENT

Excavators							
APPLICATION	CYL #	Misc-Parts, Instructions, etc.	CODE	ROD	BORE	KIT #	List \$
MODEL 325C L							
BOOM							
JLC1-UP; JLD1-UP							
1915548			P-UB-10	105 mm	150 mm	CTC-1915619	259.52
1915548			Bushing	105 mm		CTC-1140760	84.03
2502419			P-UB-10	105 mm	150 mm	CTC-2426840	280.78
2502419			Bushing	105 mm		CTC-1140760	84.03
BUCKET							
AMH1-UP; BFE1-UP; BTD1-UP; CRB1-UP; CSJ1-UP; JLC1-UP; JLD1-UP							
1772465			P-UB-10	105 mm	150 mm	CTC-1915619	259.52
1772465			Bushing	105 mm		CTC-1140760	84.03
AMH1-UP; BKW1-UP; BMM1-UP; BTD1-UP							
2096011			P-UB-10	90 mm	130 mm	CTC-2590627	224.45
2096011			Bushing	90 mm		CTC-1052575	49.56
AMH1-UP; BTD1-UP; CRB1-UP; CSJ1-UP; JLC1-UP; JLD1-UP							
2478853			P-UB-10	105 mm	150 mm	CTC-1915619	259.52
2478853			Bushing	105 mm		CTC-1140760	84.03
BFE1-UP							
1589061			P-U-10	85 mm	120 mm	CTC-2366389	175.29
1589061			Bushing	85 mm		CTC-1140756	54.86
1799764			P-UB-10	90 mm	130 mm	CTC-2159986	200.07
1799764			Bushing	90 mm		CTC-1140758	63.28
BKW1-UP; BMM1-UP							
1799793			P-UB-10	90 mm	130 mm	CTC-2590626	224.45
1799793			Bushing	90 mm		CTC-1052575	49.56
1948276			P-UB-10	105 mm	150 mm	CTC-2003315	259.52
1948276			Bushing	105 mm		CTC-1140760	84.03
2478854			P-UB-10	105 mm	150 mm	CTC-2502475	217.70
2478854			Bushing	105 mm		CTC-1140760	84.03
2590732			P-UB-10	90 mm	130 mm	CTC-2590719	227.16
2590732			Bushing	90 mm		CTC-1052575	49.56
CRB1-UP							
1709808			P-UB-10	65 mm	100 mm	CTC-1709941	207.55
1709808			Bushing	65 mm		CTC-1140754	38.00
2959396			P-UB-10	65 mm	100 mm	CTC-1709941	207.55
2959396			Bushing	65 mm		CTC-1140754	38.00
CRB1-UP; CSJ1-UP; JLC1-UP; JLD1-UP							
1799764			P-UB-10	90 mm	130 mm	CTC-2159986	200.07
1799764			Bushing	90 mm		CTC-1140758	63.28
JLC1-UP							
2201532			P-UB-10	100 mm	140 mm	CTC-2159985	196.01
2201532			Bushing	100 mm		CTC-1140757	77.11
QUICK COUPLER							
BFE1-UP; CRB1-UP							
1728403			I-U-14	50 mm	100 mm	CTC-2525507	254.75
STICK							
AMH1-UP; BKW1-UP; BMM1-UP; BTD1-UP							
1799791			P-UB-10	105 mm	150 mm	CTC-2590637	550.36
1799791			Bushing	105 mm		CTC-0995572	65.80
2096008			P-UB-10	105 mm	150 mm	CTC-2590637	550.36
2096008			Bushing	105 mm		CTC-0995572	65.80
BFE1-UP							
1799785			P-UB-10	105 mm	150 mm	CTC-1915619	259.52
1799785			Bushing	105 mm		CTC-1140760	84.03

CATERPILLAR®

REPLACEMENT KITS FOR CATERPILLAR® EQUIPMENT

Excavators							
APPLICATION	CYL #	Misc-Parts, Instructions, etc.	CODE	ROD	BORE	KIT #	List \$
MODEL 325C L							
STICK							
BKW1-UP; BMM1-UP							
1915589			P-UB-10	105 mm	150 mm	CTC-2590636	550.36
1915589			Bushing	105 mm		CTC-0995572	65.80
2590728			P-UB-10	105 mm	150 mm	CTC-2590729	550.36
2590728			Bushing	105 mm		CTC-0995572	65.80
CRB1-UP; CSJ1-UP							
2188124			P-UB-10	105 mm	150 mm	CTC-1884219	259.52
2188124			Bushing	105 mm		CTC-1140760	84.03
CRB1-UP; CSJ1-UP; JLC1-UP; JLD1-UP							
1799785	Type 1		P-UB-10	105 mm	150 mm	CTC-1915619	259.52
1799785	Type 2		P-UB-10	105 mm	150 mm	CTC-2426840	280.78
1799785	Type 1 and Type 2		Bushing	105 mm		CTC-1140760	84.03
JLC1-UP							
2044907			P-UB-10	95 mm	160 mm	CTC-2521191	312.45
2044907			Bushing	95 mm		CTC-6C6093	70.66
JLC1-UP; JLD1-UP							
1915551			P-UB-10	115 mm	170 mm	CTC-2316844	508.33
MODEL 325C LN							
BOOM							
CRB1-UP; CSJ1-UP							
1799782			P-UB-10	100 mm	140 mm	CTC-2159985	196.01
1799782			Bushing	100 mm		CTC-1140757	77.11
2113069			P-UB-10	100 mm	170 mm	CTC-2519341	423.26
2113069			Bushing	100 mm		CTC-1140757	77.11
BUCKET							
CRB1-UP							
1709808			P-UB-10	65 mm	100 mm	CTC-1709941	207.55
1709808			Bushing	65 mm		CTC-1140754	38.00
2959396			P-UB-10	65 mm	100 mm	CTC-1709941	207.55
2959396			Bushing	65 mm		CTC-1140754	38.00
CRB1-UP; CSJ1-UP							
1772465			P-UB-10	105 mm	150 mm	CTC-1915619	259.52
1772465			Bushing	105 mm		CTC-1140760	84.03
1799764			P-UB-10	90 mm	130 mm	CTC-2159986	200.07
1799764			Bushing	90 mm		CTC-1140758	63.28
2478853			P-UB-10	105 mm	150 mm	CTC-1915619	259.52
2478853			Bushing	105 mm		CTC-1140760	84.03
QUICK COUPLER							
CRB1-UP							
1728403			I-U-14	50 mm	100 mm	CTC-2525507	254.75
STICK							
CRB1-UP; CSJ1-UP							
1799785	Type 1		P-UB-10	105 mm	150 mm	CTC-1915619	259.52
1799785	Type 2		P-UB-10	105 mm	150 mm	CTC-2426840	280.78
1799785	Type 1 and Type 2		Bushing	105 mm		CTC-1140760	84.03
2188124			P-UB-10	105 mm	150 mm	CTC-1884219	259.52
2188124			Bushing	105 mm		CTC-1140760	84.03
MODEL 325D							
BOOM							
DBH1-UP; KBE1-UP; KDG1-UP; SCR1-UP							
2254584			P-UB-10	100 mm	140 mm	CTC-2344566	233.91
2254584			Bushing	100 mm		CTC-0965625	76.50

REPLACEMENT KITS FOR CATERPILLAR® EQUIPMENT

Excavators							
APPLICATION	CYL #	Misc-Parts, Instructions, etc.	CODE	ROD	BORE	KIT #	List \$
MODEL 325D							
BOOM							
KDG1-UP; SCR1-UP							
2254595			P-UB-10	100 mm	140 mm	CTC-2590648	233.91
2254595			Bushing	100 mm		CTC-0965625	76.50
2667988			P-UB-10	100 mm	140 mm	CTC-2668015	223.47
2667988			Bushing	100 mm		CTC-0965625	76.50
BUCKET							
AZP1-UP; DBH1-UP; KBE1-UP; KDG1-UP; SCR1-UP							
2254581			P-UB-10	105 mm	150 mm	CTC-1915619	259.52
2254581			Bushing	105 mm		CTC-1140760	84.03
DBH1-UP; KBE1-UP; KDG1-UP; SCR1-UP							
2254591			P-UB-10	95 mm	135 mm	CTC-2344587	214.64
2254591			Bushing	95 mm		CTC-0964430	55.81
KDG1-UP; SCR1-UP							
2254599			P-UB-10	95 mm	135 mm	CTC-2590656	212.53
2254599			Bushing	95 mm		CTC-0964430	55.81
2254602			P-UB-10	105 mm	150 mm	CTC-2502475	217.70
2254602			Bushing	105 mm		CTC-1140760	84.03
2667992			P-UB-10	95 mm	135 mm	CTC-2668045	214.64
2667992			Bushing	95 mm		CTC-0964430	55.81
2668080			P-UB-10	105 mm	150 mm	CTC-2590743	200.34
2668080			Bushing	105 mm		CTC-1140760	84.03
STICK							
DBH1-UP; KBE1-UP; KDG1-UP; SCR1-UP							
2254588			P-UB-10	105 mm	150 mm	CTC-2344576	537.24
2254588			Bushing	105 mm		CTC-0995572	65.80
2590778			P-UB-10	105 mm	150 mm	CTC-2590779	513.08
2590778			Bushing	105 mm		CTC-0995572	65.80
KDG1-UP; SCR1-UP							
2254597			P-UB-10	105 mm	150 mm	CTC-2590650	537.24
2254597			Bushing	105 mm		CTC-0995572	65.80
2667990			P-UB-10	105 mm	150 mm	CTC-2668016	537.24
2667990			Bushing	105 mm		CTC-0995572	65.80
MODEL 325D L							
BOOM							
A3R1-UP; GBR1-UP; GPB1-UP; JCL1-UP; MCL1-UP; PAL1-UP; PKE1-UP; T2S1-UP							
2254572			P-UB-10	100 mm	140 mm	CTC-2159985	196.01
2254572			Bushing	100 mm		CTC-1140757	77.11
A3R1-UP; GBR1-UP; GPB1-UP; PKE1-UP							
2959400			P-UB-10	100 mm	140 mm	CTC-2478792	296.47
2959400			Bushing	100 mm		CTC-1140757	77.11
DBH1-UP; KBE1-UP; KDG1-UP; SCR1-UP							
2254584			P-UB-10	100 mm	140 mm	CTC-2344566	233.91
2254584			Bushing	100 mm		CTC-0965625	76.50
GBR1-UP							
2033906			P-UB-10	105 mm	150 mm	CTC-1915619	259.52
2033906			Bushing	105 mm		CTC-1140760	84.03
2795614			P-UB-10	95 mm	160 mm	CTC-2521191	312.45
2795614			Bushing	95 mm		CTC-6C6093	70.66
GBR1-UP; GPB1-UP; LAL1-UP; MCL1-UP; NAC1-UP; PAL1-UP; PKE1-UP; T2S1-UP							
2959398			P-UB-10	100 mm	140 mm	CTC-2478792	296.47
2959398			Bushing	100 mm		CTC-1140757	77.11
GBR1-UP; GPB1-UP; LAL1-UP; MCL1-UP; PKE1-UP; T2S1-UP							
2798111			P-UB-10	100 mm	170 mm	CTC-2519341	423.26
2798111			Bushing	100 mm		CTC-1140757	77.11

REPLACEMENT KITS FOR CATERPILLAR® EQUIPMENT

Excavators							
APPLICATION	CYL #	Misc-Parts, Instructions, etc.	CODE	ROD	BORE	KIT #	List \$
MODEL 325D L							
BOOM							
KDG1-UP; SCR1-UP							
2254595			P-UB-10	100 mm	140 mm	CTC-2590648	233.91
2254595			Bushing	100 mm		CTC-0965625	76.50
2667988			P-UB-10	100 mm	140 mm	CTC-2668015	223.47
2667988			Bushing	100 mm		CTC-0965625	76.50
BUCKET							
A3R1-UP							
2487855			P-UB-10	65 mm	100 mm	CTC-1709941	207.55
2487855			Bushing	65 mm		CTC-1140754	38.00
2836118			P-UB-10	65 mm	100 mm	CTC-1709941	207.55
2836118			Bushing	65 mm		CTC-1140754	38.00
A3R1-UP; AZP1-UP; DBH1-UP; GBR1-UP; GPB1-UP; KBE1-UP; KDG1-UP; MCL1-UP; PKE1-UP; SCR1-UP; T2S1-UP							
2254581			P-UB-10	105 mm	150 mm	CTC-1915619	259.52
2254581			Bushing	105 mm		CTC-1140760	84.03
A3R1-UP; GBR1-UP; GPB1-UP; JCL1-UP; MCL1-UP; PAL1-UP; PKE1-UP; T2S1-UP							
2254578			P-UB-10	95 mm	135 mm	CTC-2344488	228.92
2254578			Bushing	95 mm		CTC-1289260	65.66
A3R1-UP; GBR1-UP; GPB1-UP; LAL1-UP; MCL1-UP; NAC1-UP; PAL1-UP; PKE1-UP							
2898004			P-UB-10	95 mm	135 mm	CTC-2344488	228.92
2898004			Bushing	95 mm		CTC-1289260	65.66
A3R1-UP; GBR1-UP; GPB1-UP; LAL1-UP; MCL1-UP; NAC1-UP; PAL1-UP; PKE1-UP; T2S1-UP							
2898012			P-UB-10	105 mm	150 mm	CTC-1915619	259.52
2898012			Bushing	105 mm		CTC-1140760	84.03
DBH1-UP; KBE1-UP; KDG1-UP; SCR1-UP							
2254591			P-UB-10	95 mm	135 mm	CTC-2344587	214.64
2254591			Bushing	95 mm		CTC-0964430	55.81
GBR1-UP							
2201532			P-UB-10	100 mm	140 mm	CTC-2159985	196.01
2201532			Bushing	100 mm		CTC-1140757	77.11
2897948			P-UB-10	85 mm	120 mm	CTC-2478790	175.29
2897948			Bushing	85 mm		CTC-1140756	54.86
GBR1-UP; GPB1-UP; MCL1-UP; PKE1-UP							
2426767			P-UB-10	85 mm	120 mm	CTC-2478790	175.29
2426767			Bushing	85 mm		CTC-1140756	54.86
GPB1-UP							
2959396			P-UB-10	65 mm	100 mm	CTC-1709941	207.55
2959396			Bushing	65 mm		CTC-1140754	38.00
3095975			P-UB-10	65 mm	100 mm	CTC-1709941	207.55
3095975			Bushing	65 mm		CTC-1140754	38.00
KDG1-UP; SCR1-UP							
2254599			P-UB-10	95 mm	135 mm	CTC-2590656	212.53
2254599			Bushing	95 mm		CTC-0964430	55.81
2254602			P-UB-10	105 mm	150 mm	CTC-2502475	217.70
2254602			Bushing	105 mm		CTC-1140760	84.03
2667992			P-UB-10	95 mm	135 mm	CTC-2668045	214.64
2667992			Bushing	95 mm		CTC-0964430	55.81
2668080			P-UB-10	105 mm	150 mm	CTC-2590743	200.34
2668080			Bushing	105 mm		CTC-1140760	84.03
STICK							
A3R1-UP							
2166607			P-UB-10	105 mm	150 mm	CTC-1915619	259.52
2166607			Bushing	105 mm		CTC-1140760	84.03
A3R1-UP; GBR1-UP; GPB1-UP; JCL1-UP; MCL1-UP; PAL1-UP; PKE1-UP; T2S1-UP							
2254575			P-UB-10	105 mm	150 mm	CTC-2426840	280.78
2254575			Bushing	105 mm		CTC-1140760	84.03

REPLACEMENT KITS FOR CATERPILLAR® EQUIPMENT

Excavators							
APPLICATION	CYL #	Misc-Parts, Instructions, etc.	CODE	ROD	BORE	KIT #	List \$
MODEL 325D L							
STICK							
A3R1-UP; GBR1-UP; GPB1-UP; LAL1-UP; MCL1-UP; NAC1-UP; PAL1-UP; PKE1-UP; T2S1-UP							
2897994			P-UB-10	105 mm	150 mm	CTC-2426840	280.78
2897994			Bushing	105 mm		CTC-1140760	84.03
DBH1-UP; KBE1-UP; KDG1-UP; SCR1-UP							
2254588			P-UB-10	105 mm	150 mm	CTC-2344576	537.24
2254588			Bushing	105 mm		CTC-0995572	65.80
2590778			P-UB-10	105 mm	150 mm	CTC-2590779	513.08
2590778			Bushing	105 mm		CTC-0995572	65.80
GBR1-UP							
2344601			P-UB-10	115 mm	170 mm	CTC-2316844	508.33
2836188			P-UB-10	115 mm	170 mm	CTC-2316844	508.33
2898031			P-UB-10	115 mm	170 mm	CTC-2316844	508.33
KDG1-UP; SCR1-UP							
2254597			P-UB-10	105 mm	150 mm	CTC-2590650	537.24
2254597			Bushing	105 mm		CTC-0995572	65.80
2667990			P-UB-10	105 mm	150 mm	CTC-2668016	537.24
2667990			Bushing	105 mm		CTC-0995572	65.80
MODEL 325D LN							
BOOM							
GPB1-UP; PKE1-UP							
2254572			P-UB-10	100 mm	140 mm	CTC-2159985	196.01
2254572			Bushing	100 mm		CTC-1140757	77.11
2798111			P-UB-10	100 mm	170 mm	CTC-2519341	423.26
2798111			Bushing	100 mm		CTC-1140757	77.11
2959398			P-UB-10	100 mm	140 mm	CTC-2478792	296.47
2959398			Bushing	100 mm		CTC-1140757	77.11
2959400			P-UB-10	100 mm	140 mm	CTC-2478792	296.47
2959400			Bushing	100 mm		CTC-1140757	77.11
BUCKET							
GPB1-UP							
2959396			P-UB-10	65 mm	100 mm	CTC-1709941	207.55
2959396			Bushing	65 mm		CTC-1140754	38.00
3095975			P-UB-10	65 mm	100 mm	CTC-1709941	207.55
3095975			Bushing	65 mm		CTC-1140754	38.00
GPB1-UP; PKE1-UP							
2254578			P-UB-10	95 mm	135 mm	CTC-2344488	228.92
2254578			Bushing	95 mm		CTC-1289260	65.66
2254581			P-UB-10	105 mm	150 mm	CTC-1915619	259.52
2254581			Bushing	105 mm		CTC-1140760	84.03
2426767			P-UB-10	85 mm	120 mm	CTC-2478790	175.29
2426767			Bushing	85 mm		CTC-1140756	54.86
2898004			P-UB-10	95 mm	135 mm	CTC-2344488	228.92
2898004			Bushing	95 mm		CTC-1289260	65.66
2898012			P-UB-10	105 mm	150 mm	CTC-1915619	259.52
2898012			Bushing	105 mm		CTC-1140760	84.03
STICK							
GPB1-UP; PKE1-UP							
2254575			P-UB-10	105 mm	150 mm	CTC-2426840	280.78
2254575			Bushing	105 mm		CTC-1140760	84.03
2897994			P-UB-10	105 mm	150 mm	CTC-2426840	280.78
2897994			Bushing	105 mm		CTC-1140760	84.03

REPLACEMENT KITS FOR CATERPILLAR® EQUIPMENT

Excavators							
APPLICATION	CYL #	Misc-Parts, Instructions, etc.	CODE	ROD	BORE	KIT #	List \$
MODEL 325F L							
BOOM							
RBW1-UP; YCA1-UP							
3412790			P-UB-10	85 mm	120 mm	CTC-4560197	216.42
3412790			Bushing	85 mm		CTC-0964402	51.37
5433884			P-UB-14	95 mm	160 mm	CTC-5542902	455.14
5433884			Bushing	95 mm		CTC-3852931	54.60
BOOM LH							
NDJ1-UP; RBW1-UP; XAA1-UP; YCA1-UP							
4185506			P-UB-10	90 mm	125 mm	CTC-4560198	232.31
4185506			Bushing	90 mm		CTC-1052575	49.56
BOOM RH							
NDJ1-UP; RBW1-UP; XAA1-UP; YCA1-UP							
4185507			P-UB-10	90 mm	125 mm	CTC-4560198	232.31
4185507			Bushing	90 mm		CTC-1052575	49.56
BOOM VAR ADJ							
RBW1-UP; YCA1-UP							
3605447			P-UB-10	95 mm	160 mm	CTC-3979296	354.11
3605447			Bushing	95 mm		CTC-6C6093	70.66
BUCKET							
NDJ1-UP; RBW1-UP; XAA1-UP; YCA1-UP							
3412814			P-UB-10	85 mm	120 mm	CTC-4560207	210.47
3412814			Bushing	85 mm		CTC-0964402	51.37
5751074			P-UB-10	85 mm	120 mm	CTC-5456415	290.40
5751074			Bushing	85 mm		CTC-1140756	54.86
RBW1-UP; YCA1-UP							
3412182			P-UB-10	95 mm	135 mm	CTC-4560209	249.96
3412182			Bushing	95 mm		CTC-0964430	55.81
3412818			P-UB-10	90 mm	130 mm	CTC-4560210	251.12
3412818			Bushing	90 mm		CTC-1052575	49.56
COUPLER							
NDJ1-UP; RBW1-UP; XAA1-UP; YCA1-UP							
3909505			I-U-10	1-1/2	2-1/2	CTC-4536523	24.49
3909505			Chk Vlv Kit			CTC-2138433	19.97
STICK							
NDJ1-UP; RBW1-UP; XAA1-UP; YCA1-UP							
3412802			P-UB-10	100 mm	140 mm	CTC-4560202	300.14
3412802			Bushing	100 mm		CTC-0965625	76.50
TRACK ADJUSTER							
NDJ1-UP; RBW1-UP; XAA1-UP; YCA1-UP							
2394390			TRK ADJ			CTC-SK100110	71.42
MODEL 325L							
BOOM							
7Y4601			P-UB-10	95 mm	130 mm	CTC-7Y5147	478.17
BUCKET							
1251547			P-UB-10	65 mm	100 mm	CTC-4I8914	326.98
4I7652			P-UB-10	65 mm	100 mm	CTC-4I7664	327.13
4I8840			P-UB-10	65 mm	100 mm	CTC-4I8914	326.98
7I7291			P-UB-10	85 mm	130 mm	CTC-7Y5145	427.56
7Y5100			P-UB-10	85 mm	130 mm	CTC-7Y5145	427.56
7Y5150			P-UB-10	105 mm	150 mm	CTC-1163612	482.77
875633			P-UB-10	85 mm	120 mm	CTC-0875394	414.00
STICK							
1169123			P-UB-10	105 mm	150 mm	CTC-1163612	482.77
7Y4650			P-UB-10	105 mm	150 mm	CTC-1163612	482.77

CATERPILLAR®

REPLACEMENT KITS FOR CATERPILLAR® EQUIPMENT

Excavators							
APPLICATION	CYL #	Misc-Parts, Instructions, etc.	CODE	ROD	BORE	KIT #	List \$
MODEL 326							
BOOM							
FAY1-UP; GWP1-UP; HFF1-UP; HKP1-UP; JFH1-UP; JYM1-UP; KCK1-UP; MFJ1-UP							
5275464			P-UB-10	95 mm	135 mm	CTC-4560199	272.74
5275464			Bushing	95 mm		CTC-0964430	55.81
HFF1-UP; KCK1-UP							
5724800			P-UB-10	95 mm	135 mm	CTC-4642935	266.19
5724800			Bushing	95 mm		CTC-0964430	55.81
KCK1-UP							
5947093			P-UB-10	95 mm	135 mm	CTC-4642935	266.19
5947093			Bushing	95 mm		CTC-0964430	55.81
BUCKET							
FAY1-UP; GWP1-UP; HFF1-UP; HKP1-UP; JFH1-UP; JYM1-UP; KCK1-UP; MFJ1-UP							
3852834			P-UB-14	70 mm	100 mm	CTC-3904227	357.72
3852834			Bushing	70 mm		CTC-3904158	37.36
5275476			P-UB-10	90 mm	130 mm	CTC-4560208	351.85
5275476			Bushing	90 mm		CTC-1052575	49.56
HFF1-UP; KCK1-UP							
5724804			P-UB-10	90 mm	130 mm	CTC-4642933	302.66
5724804			Bushing	90 mm		CTC-1052575	49.56
COUPLER							
FAY1-UP							
3897213			I-U-10	1-1/2	2-1/2	CTC-4536523	24.49
3897213			Chk Vlv Kit			CTC-2138433	19.97
5638381			I-UB-10	40 mm	63 mm	CTC-5765831	94.58
5638381			Chk Vlv Kit			CTC-2138433	19.97
5776378			I-U-10	40 mm	63 mm	CTC-5770458	49.03
5776378			Chk Vlv Kit			CTC-2138433	19.97
STICK							
FAY1-UP; GWP1-UP; HFF1-UP; HKP1-UP; JFH1-UP; JYM1-UP; KCK1-UP; MFJ1-UP							
2166607			P-UB-10	105 mm	150 mm	CTC-5551814	275.77
2166607			Bushing	105 mm		CTC-1140760	84.03
5275472			P-UB-10	100 mm	140 mm	CTC-5261958	287.41
5275472			Bushing	100 mm		CTC-0965625	76.50
HFF1-UP; KCK1-UP							
5724802			P-UB-10	100 mm	140 mm	CTC-4649647	310.07
5724802			Bushing	100 mm		CTC-0965625	76.50
MODEL 326F L							
BOOM							
EBK1-UP; FBR1-UP; WGL1-UP; XFK1-UP							
3408939			P-UB-10	95 mm	135 mm	CTC-4560199	272.74
3408939			Bushing	95 mm		CTC-0964430	55.81
BUCKET							
EBK1-UP; FBR1-UP; WGL1-UP; XFK1-UP							
3408949			P-UB-10	90 mm	130 mm	CTC-4560208	351.85
3408949			Bushing	90 mm		CTC-1052575	49.56
3852834			P-UB-14	70 mm	100 mm	CTC-3904227	357.72
3852834			Bushing	70 mm		CTC-3904158	37.36
FBR1-UP; WGL1-UP; XFK1-UP							
3566515			P-UB-10	95 mm	135 mm	CTC-3979295	392.71
3566515			Bushing	95 mm		CTC-1289260	65.66
WGL1-UP; XFK1-UP							
3579766			P-UB-10	105 mm	150 mm	CTC-5185138	260.84
3579766			Bushing	105 mm		CTC-1140760	84.03

CATERPILLAR®

REPLACEMENT KITS FOR CATERPILLAR® EQUIPMENT

Excavators							
APPLICATION	CYL #	Misc-Parts, Instructions, etc.	CODE	ROD	BORE	KIT #	List \$
MODEL 326F L							
COUPLER							
FBR1-UP; WGL1-UP							
2948011			P-U-10,12	2	3-1/2	CTC-3460643	70.28
3897213			I-U-10	1-1/2	2-1/2	CTC-4536523	24.49
FORE BOOM							
XFK1-UP							
2798111			P-UB-10	100 mm	170 mm	CTC-2519341	423.26
2798111			Bushing	100 mm		CTC-1140757	77.11
STICK							
EBK1-UP; FBR1-UP; WGL1-UP; XFK1-UP							
2166607			P-UB-10	105 mm	150 mm	CTC-3249485	300.77
2166607			Bushing	105 mm		CTC-1140760	84.03
3408944			P-UB-10	100 mm	140 mm	CTC-4560204	288.10
3408944			Bushing	100 mm		CTC-0965625	76.50
TRACK ADJUSTER							
EBK1-UP; FBR1-UP; WGL1-UP; XFK1-UP							
2394373			TRK ADJ			CTC-SK100161	117.49
MODEL 326F LN							
BOOM							
HCJ1-UP							
3408939			P-UB-10	95 mm	135 mm	CTC-4560199	272.74
3408939			Bushing	95 mm		CTC-0964430	55.81
BUCKET							
HCJ1-UP							
3408949			P-UB-10	90 mm	130 mm	CTC-4560208	351.85
3408949			Bushing	90 mm		CTC-1052575	49.56
3566515			P-UB-10	95 mm	135 mm	CTC-3979295	392.71
3566515			Bushing	95 mm		CTC-1289260	65.66
3579766			P-UB-10	105 mm	150 mm	CTC-5185138	260.84
3579766			Bushing	105 mm		CTC-1140760	84.03
3852834			P-UB-14	70 mm	100 mm	CTC-3904227	357.72
3852834			Bushing	70 mm		CTC-3904158	37.36
FORE BOOM							
HCJ1-UP							
2798111			P-UB-10	100 mm	170 mm	CTC-2519341	423.26
2798111			Bushing	100 mm		CTC-1140757	77.11
STICK							
HCJ1-UP							
3408944			P-UB-10	100 mm	140 mm	CTC-4560204	288.10
3408944			Bushing	100 mm		CTC-0965625	76.50
TRACK ADJUSTER							
HCJ1-UP							
2394373			TRK ADJ			CTC-SK100161	117.49
MODEL 328D LCR							
BLADE							
MKR1-UP; SWF1-UP							
1913286			P-UB-10	100 mm	140 mm	CTC-1645174	349.99
1913286			Bushing	100 mm		CTC-0965625	76.50
1913288			P-UB-10	100 mm	140 mm	CTC-1645174	349.99
1913288			Bushing	100 mm		CTC-0965625	76.50
BLADE LH							
MKR1-UP; SWF1-UP							
1913288			P-UB-10	100 mm	140 mm	CTC-1645174	349.99
1913288			Bushing	100 mm		CTC-0965625	76.50

REPLACEMENT KITS FOR CATERPILLAR® EQUIPMENT

Excavators							
APPLICATION	CYL #	Misc-Parts, Instructions, etc.	CODE	ROD	BORE	KIT #	List \$
MODEL 328D LCR							
BLADE RH							
MKR1-UP; SWF1-UP							
1913286			P-UB-10	100 mm	140 mm	CTC-1645174	349.99
1913286			Bushing	100 mm		CTC-0965625	76.50
BOOM							
GTN1-UP; MKR1-UP; RMX1-UP; SWF1-UP							
2667935			P-UB-10	100 mm	140 mm	CTC-2344566	233.91
2667935			Bushing	100 mm		CTC-0965625	76.50
3494153			P-UB-10	100 mm	140 mm	CTC-4560200	308.54
3494153			Bushing	100 mm		CTC-0965625	76.50
MKR1-UP; RMX1-UP							
2959673			P-UB-10	100 mm	140 mm	CTC-2590648	233.91
2959673			Bushing	100 mm		CTC-0965625	76.50
BUCKET							
GTN1-UP; MKR1-UP; RMX1-UP; SWF1-UP							
2254591			P-UB-10	95 mm	135 mm	CTC-2344587	214.64
2254591			Bushing	95 mm		CTC-0964430	55.81
3412182			P-UB-10	95 mm	135 mm	CTC-3500976	243.83
3412182			Bushing	95 mm		CTC-0964430	55.81
3494152			P-UB-10	95 mm	135 mm	CTC-3500976	243.83
3494152			Bushing	95 mm		CTC-0964430	55.81
MKR1-UP; RMX1-UP							
2254599			P-UB-10	95 mm	135 mm	CTC-2590656	212.53
2254599			Bushing	95 mm		CTC-0964430	55.81
COUPLER							
GTN1-UP; MKR1-UP; RMX1-UP; SWF1-UP							
2745997			I-U-14	50 mm	100 mm	CTC-2525507	254.75
STICK							
GTN1-UP; MKR1-UP; RMX1-UP; SWF1-UP							
2254588			P-UB-10	105 mm	150 mm	CTC-2344576	537.24
2254588			Bushing	105 mm		CTC-0995572	65.80
3494148			P-UB-10	105 mm	150 mm	CTC-3500974	301.26
3494148			Bushing	105 mm		CTC-0995572	65.80
3494150			P-UB-10	105 mm	150 mm	CTC-3500975	301.26
3494150			Bushing	105 mm		CTC-0995572	65.80
GTN1-UP; RMX1-UP							
3000199			P-UB-10	105 mm	150 mm	CTC-2344576	537.24
3000199			Bushing	105 mm		CTC-0995572	65.80
3640930			P-UB-10	105 mm	150 mm	CTC-3500974	301.26
3640930			Bushing	105 mm		CTC-0995572	65.80
GTN1-UP; RMX1-UP; SWF1-UP							
3412177			P-UB-10	105 mm	150 mm	CTC-3500975	301.26
3412177			Bushing	105 mm		CTC-0995572	65.80
MKR1-UP; RMX1-UP							
2254597			P-UB-10	105 mm	150 mm	CTC-2590650	537.24
2254597			Bushing	105 mm		CTC-0995572	65.80
TRACK ADJUSTER							
GTN1-315; MKR1-212							
1793043			TRK ADJ			CTC-SK100116	217.39
GTN316-UP; MKR213-UP; RMX1-UP; SWF1-UP							
2979151			TRK ADJ			CTC-SK100116	217.39
MODEL 329D L							
BOOM							
BFC1-UP; CZF1-UP; JHJ1-UP; LGN1-UP; RSK1-UP; TPM1-UP; WLT1-UP; XDB1-UP							
2959398			P-UB-10	100 mm	140 mm	CTC-3981893	306.55
2959398			Bushing	100 mm		CTC-1140757	77.11

REPLACEMENT KITS FOR CATERPILLAR® EQUIPMENT

Excavators							
APPLICATION	CYL #	Misc-Parts, Instructions, etc.	CODE	ROD	BORE	KIT #	List \$
MODEL 329D L							
BOOM							
DJF1-UP; TZL1-UP							
4185481			P-UB-10	100 mm	140 mm	CTC-3500973	308.54
4185481			Bushing	100 mm		CTC-0965625	76.50
DJF1-UP; TZL1-UP; YFW1-UP							
2254584			P-UB-10	100 mm	140 mm	CTC-2344566	233.91
2254584			Bushing	100 mm		CTC-0965625	76.50
2667988			P-UB-10	100 mm	140 mm	CTC-2668015	223.47
2667988			Bushing	100 mm		CTC-0965625	76.50
3494146			P-UB-10	100 mm	140 mm	CTC-3500973	308.54
3494146			Bushing	100 mm		CTC-0965625	76.50
DJF1-UP; YFW1-UP							
2254595			P-UB-10	100 mm	140 mm	CTC-2590648	233.91
2254595			Bushing	100 mm		CTC-0965625	76.50
TZL1-UP; YFW1-UP							
4188812			P-UB-10	100 mm	140 mm	CTC-2668015	223.47
4188812			Bushing	100 mm		CTC-0965625	76.50
BUCKET							
BFC1-UP; CZF1-UP; JHJ1-UP; LGN1-UP; RSK1-UP; TPM1-UP; WLT1-UP; XDB1-UP							
2898004			P-UB-10	95 mm	135 mm	CTC-2344488	228.92
2898004			Bushing	95 mm		CTC-1289260	65.66
3154451			P-UB-10	105 mm	150 mm	CTC-3764331	251.79
3154451			Bushing	105 mm		CTC-1140760	84.03
DJF1-UP; TZL1-UP							
3412182			P-UB-10	95 mm	135 mm	CTC-3500976	243.83
3412182			Bushing	95 mm		CTC-0964430	55.81
DJF1-UP; TZL1-UP; YFW1-UP							
3154442			P-UB-10	105 mm	150 mm	CTC-3764331	251.79
3154442			Bushing	105 mm		CTC-1140760	84.03
3154449			P-UB-10	105 mm	150 mm	CTC-3764332	251.79
3154449			Bushing	105 mm		CTC-1140760	84.03
3494152			P-UB-10	95 mm	135 mm	CTC-3500976	243.83
3494152			Bushing	95 mm		CTC-0964430	55.81
3579766			P-UB-10	105 mm	150 mm	CTC-3764331	251.79
3579766			Bushing	105 mm		CTC-1140760	84.03
DJF1-UP; YFW1-UP							
2254591			P-UB-10	95 mm	135 mm	CTC-2344587	214.64
2254591			Bushing	95 mm		CTC-0964430	55.81
2254599			P-UB-10	95 mm	135 mm	CTC-2590656	212.53
2254599			Bushing	95 mm		CTC-0964430	55.81
2667992			P-UB-10	95 mm	135 mm	CTC-2668045	214.64
2667992			Bushing	95 mm		CTC-0964430	55.81
JHJ1-UP							
2836118			P-UB-10	65 mm	100 mm	CTC-1709941	207.55
2836118			Bushing	65 mm		CTC-1140754	38.00
TZL1-UP							
3852834			P-UB-14	70 mm	100 mm	CTC-3904227	357.72
3852834			Bushing	70 mm		CTC-3904158	37.36
TZL1-UP; YFW1-UP							
3154450			P-UB-10	105 mm	150 mm	CTC-2590743	200.34
3154450			Bushing	105 mm		CTC-1140760	84.03
3582108			P-UB-10	70 mm	100 mm	CTC-3494121	297.60
3582108			Bushing	70 mm		CTC-1140753	43.69
4188818			P-UB-10	95 mm	135 mm	CTC-2668045	214.64
4188818			Bushing	95 mm		CTC-0964430	55.81

REPLACEMENT KITS FOR CATERPILLAR® EQUIPMENT

Excavators							
APPLICATION	CYL #	Misc-Parts, Instructions, etc.	CODE	ROD	BORE	KIT #	List \$
MODEL 329D L							
BUCKET							
WLT1-UP; XDB1-UP							
2898086			P-UB-10	70 mm	100 mm	CTC-2836179	310.74
2898086			Bushing	70 mm		CTC-1140753	43.69
XDB1-UP							
3154473			P-UB-10	110 mm	160 mm	CTC-3338750	276.07
3154473			Bushing	110 mm		CTC-1140762	125.08
YFW1-UP							
2897699			P-UB-10	70 mm	100 mm	CTC-2836179	310.74
2897699			Bushing	70 mm		CTC-1140753	43.69
COUPLER							
BFC1-UP; CZF1-UP; TPM1-UP; WLT1-UP; XDB1-UP							
1690753			P-U-5	40 mm	70 mm	CTC-2191322	55.25
TZL1-UP; WLT1-UP; YFW1-UP							
2948011			P-U-10,12	2	3-1/2	CTC-3460643	70.28
FORE BOOM							
XDB1-UP							
2798111			P-UB-10	100 mm	170 mm	CTC-2519341	423.26
2798111			Bushing	100 mm		CTC-1140757	77.11
STICK							
BFC1-UP; CZF1-UP; TPM1-UP; WLT1-UP; XDB1-UP							
2897994			P-UB-10	105 mm	150 mm	CTC-3249485	300.77
2897994			Bushing	105 mm		CTC-1140760	84.03
DJF1-UP							
2590779			P-UB-10	105 mm	150 mm	CTC-2590779	513.08
2590779			Bushing	105 mm		CTC-0995572	65.80
DJF1-UP; TZL1-UP; YFW1-UP							
2667990			P-UB-10	105 mm	150 mm	CTC-2668016	537.24
2667990			Bushing	105 mm		CTC-0995572	65.80
3494148			P-UB-10	105 mm	150 mm	CTC-3500974	301.26
3494148			Bushing	105 mm		CTC-0995572	65.80
3494150			P-UB-10	105 mm	150 mm	CTC-3500975	301.26
3494150			Bushing	105 mm		CTC-0995572	65.80
DJF1-UP; YFW1-UP							
2254597			P-UB-10	105 mm	150 mm	CTC-2590650	537.24
2254597			Bushing	105 mm		CTC-0995572	65.80
JHJ1-UP; LGN1-UP; RSK1-UP							
2897994			P-UB-10	105 mm	150 mm	CTC-2426840	280.78
2897994			Bushing	105 mm		CTC-1140760	84.03
JHJ1-UP; TZL1-UP; WLT1-UP; XDB1-UP; YFW1-UP							
2166607			P-UB-10	105 mm	150 mm	CTC-3764331	251.79
2166607			Bushing	105 mm		CTC-1140760	84.03
TZL1-UP							
4185483			P-UB-10	105 mm	150 mm	CTC-3500974	301.26
4185483			Bushing	105 mm		CTC-0995572	65.80
TZL1-UP; YFW1-UP							
4188814			P-UB-10	105 mm	150 mm	CTC-2668016	537.24
4188814			Bushing	105 mm		CTC-0995572	65.80
YFW1-UP							
2254588			P-UB-10	105 mm	150 mm	CTC-2344576	537.24
2254588			Bushing	105 mm		CTC-0995572	65.80
2590778			P-UB-10	105 mm	150 mm	CTC-2590779	513.08
2590778			Bushing	105 mm		CTC-0995572	65.80
TRACK ADJUSTER							
BFC1-UP; CZF1-UP; DJF1-UP; JHJ1-UP; LGN1-UP; RSK1-UP; TPM1-UP; TZL1-UP; WLT1-UP; XDB1-UP; YFW1-UP							
2979150			TRK ADJ			CTC-SK100115	89.41

REPLACEMENT KITS FOR CATERPILLAR® EQUIPMENT

Excavators							
APPLICATION	CYL #	Misc-Parts, Instructions, etc.	CODE	ROD	BORE	KIT #	List \$
MODEL 329D LN							
BOOM							
EBM1-UP; SCY1-UP							
	2959398		P-UB-10	100 mm	140 mm	CTC-3981893	306.55
	2959398		Bushing	100 mm		CTC-1140757	77.11
BUCKET							
EBM1-UP; SCY1-UP							
	2898004		P-UB-10	95 mm	135 mm	CTC-2344488	228.92
	2898004		Bushing	95 mm		CTC-1289260	65.66
	3154451		P-UB-10	105 mm	150 mm	CTC-3764331	251.79
	3154451		Bushing	105 mm		CTC-1140760	84.03
COUPLER							
EBM1-UP; SCY1-UP							
	1690753		P-U-5	40 mm	70 mm	CTC-2191322	55.25
FORE BOOM							
EBM1-UP							
	2798111		P-UB-10	100 mm	170 mm	CTC-2519341	423.26
	2798111		Bushing	100 mm		CTC-1140757	77.11
STICK							
EBM1-UP; SCY1-UP							
	2897994		P-UB-10	105 mm	150 mm	CTC-3249485	300.77
	2897994		Bushing	105 mm		CTC-1140760	84.03
TRACK ADJUSTER							
EBM1-UP; SCY1-UP							
	2979150		TRK ADJ			CTC-SK100115	89.41
MODEL 329E							
BOOM							
PTY1-UP							
	3412172		P-UB-10	100 mm	140 mm	CTC-4560200	308.54
	3412172		Bushing	100 mm		CTC-0965625	76.50
BUCKET							
PTY1-UP							
	3412182		P-UB-10	95 mm	135 mm	CTC-3500976	243.83
	3412182		Bushing	95 mm		CTC-0964430	55.81
	3579766		P-UB-10	105 mm	150 mm	CTC-3249485	300.77
	3579766		Bushing	105 mm		CTC-1140760	84.03
	3582108		P-UB-10	70 mm	100 mm	CTC-3494121	297.60
	3582108		Bushing	70 mm		CTC-1140753	43.69
	3852834		P-UB-14	70 mm	100 mm	CTC-3904227	357.72
	3852834		Bushing	70 mm		CTC-3904158	37.36
COUPLER							
PTY1-UP							
	2948011		P-U-10,12	2	3-1/2	CTC-3460643	70.28
STICK							
PTY1-UP							
	2166607	Type 1	P-UB-10	105 mm	150 mm	CTC-1915619	259.52
	2166607	Type 2	P-UB-10	105 mm	150 mm	CTC-3249485	300.77
	2166607	Type 1 & 2	Bushing	105 mm		CTC-1140760	84.03
	3412177		P-UB-10	105 mm	150 mm	CTC-3500975	301.26
	3412177		Bushing	105 mm		CTC-0995572	65.80
TRACK ADJUSTER							
PTY1-UP							
	2979150		TRK ADJ			CTC-SK100115	89.41
MODEL 329E L							
BOOM							
PLW1-UP; RDX1-UP; TST1-UP; WJK1-UP							
	3412172		P-UB-10	100 mm	140 mm	CTC-4560200	308.54

REPLACEMENT KITS FOR CATERPILLAR® EQUIPMENT

Excavators							
APPLICATION	CYL #	Misc-Parts, Instructions, etc.	CODE	ROD	BORE	KIT #	List \$
MODEL 329E L							
BOOM							
PLW1-UP; RDX1-UP; TST1-UP; WJK1-UP; ZCD1-UP							
	3412172		Bushing	100 mm		CTC-0965625	76.50
BUCKET							
PLW1-UP; RDX1-UP; TST1-UP; WJK1-UP; ZCD1-UP							
	3412182		P-UB-10	95 mm	135 mm	CTC-3500976	243.83
	3412182		Bushing	95 mm		CTC-0964430	55.81
	3582108		P-UB-10	70 mm	100 mm	CTC-3494121	297.60
	3582108		Bushing	70 mm		CTC-1140753	43.69
	3852834		P-UB-14	70 mm	100 mm	CTC-3904227	357.72
	3852834		Bushing	70 mm		CTC-3904158	37.36
PLW1-UP; TST1-UP							
	2897699		P-UB-10	70 mm	100 mm	CTC-2836179	310.74
	2897699		Bushing	70 mm		CTC-1140753	43.69
	3579766		P-UB-10	105 mm	150 mm	CTC-3764331	251.79
	3579766		Bushing	105 mm		CTC-1140760	84.03
PLW1-UP; TST1-UP; ZCD1-UP							
	3550712		P-UB-10	95 mm	135 mm	CTC-3979295	392.71
	3550712		Bushing	95 mm		CTC-1289260	65.66
RDX1-UP; WJK1-UP; ZCD1-UP							
	3579766		P-UB-10	105 mm	150 mm	CTC-3249485	300.77
	3579766		Bushing	105 mm		CTC-1140760	84.03
COUPLER							
PLW1-UP; RDX1-UP; WJK1-UP; ZCD1-UP							
	2948011		P-U-10,12	2	3-1/2	CTC-3460643	70.28
TST1-UP							
	1690753		P-U-5	40 mm	70 mm	CTC-2191322	55.25
STICK							
PLW1-UP; RDX1-UP; TST1-UP; WJK1-UP; ZCD1-UP							
	3412177		P-UB-10	105 mm	150 mm	CTC-3500975	301.26
	3412177		Bushing	105 mm		CTC-0995572	65.80
PLW1-UP; TST1-UP; ZCD1-UP							
	2166607		P-UB-10	105 mm	150 mm	CTC-3249485	300.77
	2166607		Bushing	105 mm		CTC-1140760	84.03
RDX1-UP; WJK1-UP							
	2166607	Type 1	P-UB-10	105 mm	150 mm	CTC-1915619	259.52
	2166607	Type 2	P-UB-10	105 mm	150 mm	CTC-3249485	300.77
	2166607	Type 1 & 2	Bushing	105 mm		CTC-1140760	84.03
ZCD1-UP							
	3412180		P-UB-10	105 mm	150 mm	CTC-3500975	301.26
	3412180		Bushing	105 mm		CTC-0995572	65.80
TRACK ADJUSTER							
PLW1-UP; RDX1-UP; TST1-UP; WJK1-UP; ZCD1-UP							
	2979150		TRK ADJ			CTC-SK100115	89.41
MODEL 329E LN							
BOOM							
RLD1-UP							
	3412172		P-UB-10	100 mm	140 mm	CTC-4560200	308.54
	3412172		Bushing	100 mm		CTC-0965625	76.50

REPLACEMENT KITS FOR CATERPILLAR® EQUIPMENT

Excavators							
APPLICATION	CYL #	Misc-Parts, Instructions, etc.	CODE	ROD	BORE	KIT #	List \$
MODEL 329E LN							
BUCKET							
RLD1-UP							
3412182			P-UB-10	95 mm	135 mm	CTC-3500976	243.83
3412182			Bushing	95 mm		CTC-0964430	55.81
3550712			P-UB-10	95 mm	135 mm	CTC-3979295	392.71
3550712			Bushing	95 mm		CTC-1289260	65.66
3579766			P-UB-10	105 mm	150 mm	CTC-3764331	251.79
3579766			Bushing	105 mm		CTC-1140760	84.03
COUPLER							
RLD1-UP							
1690753			P-U-5	40 mm	70 mm	CTC-2191322	55.25
STICK							
RLD1-UP							
3412177			P-UB-10	105 mm	150 mm	CTC-3500975	301.26
3412177			Bushing	105 mm		CTC-0995572	65.80
TRACK ADJUSTER							
RLD1-UP							
2979150			TRK ADJ			CTC-SK100115	89.41
MODEL 329F L							
BOOM							
ERL1-UP; WBA1-UP							
3412172			P-UB-10	100 mm	140 mm	CTC-4560200	308.54
3412172			Bushing	100 mm		CTC-0965625	76.50
BUCKET							
ERL1-UP							
3852834			P-UB-14	70 mm	100 mm	CTC-3904227	357.72
3852834			Bushing	70 mm		CTC-3904158	37.36
ERL1-UP; WBA1-UP							
3412182			P-UB-10	95 mm	135 mm	CTC-4560209	249.96
3412182			Bushing	95 mm		CTC-0964430	55.81
3550712			P-UB-10	95 mm	135 mm	CTC-3979295	392.71
3550712			Bushing	95 mm		CTC-1289260	65.66
3579766			P-UB-10	105 mm	150 mm	CTC-5185138	260.84
3579766			Bushing	105 mm		CTC-1140760	84.03
COUPLER							
ERL1-UP							
2948011			P-U-10,12	2	3-1/2	CTC-3460643	70.28
3897213			I-U-10	1-1/2	2-1/2	CTC-4536523	24.49
WBA1-UP							
1690753			P-U-5	40 mm	70 mm	CTC-2191322	55.25
STICK							
ERL1-UP; WBA1-UP							
2166607			P-UB-10	105 mm	150 mm	CTC-3249485	300.77
2166607			Bushing	105 mm		CTC-1140760	84.03
3412177			P-UB-10	105 mm	150 mm	CTC-4560205	358.90
3412177			Bushing	105 mm		CTC-0995572	65.80
TRACK ADJUSTER							
ERL1-UP; WBA1-UP							
2979150			TRK ADJ			CTC-SK100115	89.41
MODEL 329F LN							
BOOM							
LBN1-UP							
3412172			P-UB-10	100 mm	140 mm	CTC-4560200	308.54
3412172			Bushing	100 mm		CTC-0965625	76.50

CATERPILLAR®

REPLACEMENT KITS FOR CATERPILLAR® EQUIPMENT

Excavators							
APPLICATION	CYL #	Misc-Parts, Instructions, etc.	CODE	ROD	BORE	KIT #	List \$
MODEL 329F LN							
BUCKET							
LBN1-UP							
3412182			P-UB-10	95 mm	135 mm	CTC-4560209	249.96
3412182			Bushing	95 mm		CTC-0964430	55.81
3550712			P-UB-10	95 mm	135 mm	CTC-3979295	392.71
3550712			Bushing	95 mm		CTC-1289260	65.66
3579766			P-UB-10	105 mm	150 mm	CTC-5185138	260.84
3579766			Bushing	105 mm		CTC-1140760	84.03
COUPLER							
LBN1-UP							
1690753			P-U-5	40 mm	70 mm	CTC-2191322	55.25
STICK							
LBN1-UP							
2166607			P-UB-10	105 mm	150 mm	CTC-3249485	300.77
2166607			Bushing	105 mm		CTC-1140760	84.03
3412177			P-UB-10	105 mm	150 mm	CTC-4560205	358.90
3412177			Bushing	105 mm		CTC-0995572	65.80
TRACK ADJUSTER							
LBN1-UP							
2979150			TRK ADJ			CTC-SK100115	89.41
MODEL 330							
BOOM							
KEL1-UP; KFN1-UP; LHW1-UP; MGK1-UP; PFN1-UP; SZD1-UP; TJH1-UP; WCH1-UP; XNB1-UP; YCS1-UP							
5165827			P-UB-10	100 mm	140 mm	CTC-4560200	308.54
5165827			Bushing	100 mm		CTC-0965625	76.50
KEL1-UP; MGK1-UP; YCS1-UP							
5655677			P-UB-10	100 mm	140 mm	CTC-4642937	284.54
5655677			Bushing	100 mm		CTC-0965625	76.50
BUCKET							
KEL1-UP; KFN1-UP; MGK1-UP; SZD1-UP; TJH1-UP; WCH1-UP; XNB1-UP							
5947105			P-UB-10	95 mm	135 mm	CTC-4560209	249.96
5947105			Bushing	95 mm		CTC-0964430	55.81
KEL1-UP; LHW1-UP; MGK1-UP; XNB1-UP							
6268986			P-UB-10	105 mm	150 mm	CTC-6268987	288.21
6268986			Bushing	105 mm		CTC-5938312	79.79
KEL1-UP; LHW1-UP; MGK1-UP; XNB1-UP; YCS1-UP							
5122365			P-UB-10	105 mm	150 mm	CTC-5551816	260.28
5122365			Bushing	105 mm		CTC-5938312	79.79
5773705			P-UB-10	105 mm	150 mm	CTC-5952033	551.89
5773705			Bushing	105 mm		CTC-5945726	72.73
KEL1-UP; WCH1-UP							
3852834			P-UB-14	70 mm	100 mm	CTC-3904227	357.72
3852834			Bushing	70 mm		CTC-3904158	37.36
LHW1-UP; MGK1-UP; PFN1-UP; WCH1-UP; XNB1-UP; YCS1-UP							
5165842			P-UB-10	95 mm	135 mm	CTC-4560209	249.96
5165842			Bushing	95 mm		CTC-0964430	55.81
MGK1-UP							
5947113			P-UB-10	95 mm	135 mm	CTC-4642935	266.19
5947113			Bushing	95 mm		CTC-0964430	55.81
MGK1-UP; YCS1-UP							
5655681			P-UB-10	95 mm	135 mm	CTC-4642935	266.19
5655681			Bushing	95 mm		CTC-0964430	55.81
COUPLER							
KFN1-UP; LHW1-UP; MGK1-UP; PFN1-UP; WCH1-UP							
3897213			I-U-10	1-1/2	2-1/2	CTC-4536523	24.49
3897213			Chk Vlv Kit			CTC-2138433	19.97

CATERPILLAR®

REPLACEMENT KITS FOR CATERPILLAR® EQUIPMENT

Excavators							
APPLICATION	CYL #	Misc-Parts, Instructions, etc.	CODE	ROD	BORE	KIT #	List \$
MODEL 330							
COUPLER							
KFN1-UP; MGK1-UP; PFN1-UP; WCH1-UP							
5776378			I-U-10	40 mm	63 mm	CTC-5770458	49.03
5776378			Chk Vlv Kit			CTC-2138433	19.97
LHW1-UP; MGK1-UP; PFN1-UP; WCH1-UP							
5638381			I-UB-10	40 mm	63 mm	CTC-5765831	94.58
5638381			Chk Vlv Kit			CTC-2138433	19.97
STICK							
KEL1-UP; KFN1-UP; LHW1-UP; MGK1-UP; SZD1-UP; TJH1-UP; WCH1-UP; XNB1-UP							
5947100			P-UB-10	105 mm	150 mm	CTC-5266137	187.61
5947100			Bushing	105 mm		CTC-0995572	65.80
KEL1-UP; LHW1-UP; MGK1-UP; PFN1-UP; TJH1-UP; WCH1-UP; XNB1-UP; YCS1-UP							
5165834			P-UB-10	105 mm	150 mm	CTC-5284258	199.04
5165834			Bushing	105 mm		CTC-0995572	65.80
KEL1-UP; LHW1-UP; WCH1-UP							
2166607			P-UB-10	105 mm	150 mm	CTC-5551814	275.77
2166607			Bushing	105 mm		CTC-1140760	84.03
KEL1-UP; MGK1-UP							
5655679			P-UB-10	105 mm	150 mm	CTC-5732755	219.61
5655679			Bushing	105 mm		CTC-0995572	65.80
KEL1-UP; MGK1-UP; YCS1-UP							
5947110			P-UB-10	105 mm	150 mm	CTC-5732755	219.61
5947110			Bushing	105 mm		CTC-0995572	65.80
MODEL 330B, 330BL							
BOOM							
1163578			P-UB-10	105 mm	150 mm	CTC-1680758	542.65
1336808			P-UB-10	105 mm	150 mm	CTC-1289277	588.66
BUCKET							
1183921			P-UB-10	105 mm	150 mm	CTC-1680758	542.65
1183935			P-UB-10	110 mm	160 mm	CTC-1680760	537.21
1184134			P-UB-10	85 mm	120 mm	CTC-1184131	399.75
1336810			P-UB-10	105 mm	150 mm	CTC-1289277	588.66
1336811			P-UB-10	110 mm	160 mm	CTC-1289280	587.08
STICK							
0875375			P-UB-10	130 mm	180 mm	CTC-0875407	636.93
1163638			P-UB-10	110 mm	170 mm	CTC-1680759	641.06
1336809			P-UB-10	110 mm	170 mm	CTC-1289278	635.57
MODEL 330C							
BOOM							
GKX1-UP; JAB1-UP; JCD1-UP; JNK1-UP; KDD1-UP; MCA1-UP							
1915548			P-UB-10	105 mm	150 mm	CTC-1915619	259.52
1915548			Bushing	105 mm		CTC-1140760	84.03
GKX1-UP; JAB1-UP; KDD1-UP; MCA1-UP							
2502473			P-UB-10	105 mm	150 mm	CTC-2502475	217.70
2502473			Bushing	105 mm		CTC-1140760	84.03
GKX1-UP; MCA1-UP							
2502419			P-UB-10	105 mm	150 mm	CTC-2426840	280.78
2502419			Bushing	105 mm		CTC-1140760	84.03
JAB1-UP; KDD1-UP							
1948270			P-UB-10	105 mm	150 mm	CTC-2003315	259.52
1948270			Bushing	105 mm		CTC-1140760	84.03
2502419			P-UB-10	105 mm	150 mm	CTC-2426840	280.78
2502419			Bushing	105 mm		CTC-1140760	84.03
2590742			P-UB-10	105 mm	150 mm	CTC-2590743	200.34
2590742			Bushing	105 mm		CTC-1140760	84.03

REPLACEMENT KITS FOR CATERPILLAR® EQUIPMENT

Excavators							
APPLICATION	CYL #	Misc-Parts, Instructions, etc.	CODE	ROD	BORE	KIT #	List \$
MODEL 330C							
BOOM							
JCD1-UP; JNK1-UP							
2502419			P-UB-10	105 mm	150 mm	CTC-2426840	280.78
2502419			Bushing	105 mm		CTC-1140760	84.03
BUCKET							
GKX1-UP; JAB1-UP; JCD1-UP; JNK1-UP; KDD1-UP; MCA1-UP							
1772465			P-UB-10	105 mm	150 mm	CTC-1915619	259.52
1772465			Bushing	105 mm		CTC-1140760	84.03
1915554			P-UB-10	110 mm	160 mm	CTC-2159988	319.62
1915554			Bushing	110 mm		CTC-1140762	125.08
2478853			P-UB-10	105 mm	150 mm	CTC-1915619	259.52
2478853			Bushing	105 mm		CTC-1140760	84.03
GKX1-UP; JAB1-UP; KDD1-UP; MCA1-UP							
2478854			P-UB-10	105 mm	150 mm	CTC-2502475	217.70
2478854			Bushing	105 mm		CTC-1140760	84.03
JAB1-UP; KDD1-UP							
1948276			P-UB-10	105 mm	150 mm	CTC-2003315	259.52
1948276			Bushing	105 mm		CTC-1140760	84.03
1948279			P-UB-10	110 mm	160 mm	CTC-1948235	378.61
1948279			Bushing	110 mm		CTC-1140762	125.08
2590746			P-UB-10	105 mm	150 mm	CTC-2590743	200.34
2590746			Bushing	105 mm		CTC-1140760	84.03
2590750			P-UB-10	110 mm	160 mm	CTC-2590751	368.31
2590750			Bushing	110 mm		CTC-1140762	125.08
JCD1-UP							
1709808			P-UB-10	65 mm	100 mm	CTC-1709941	207.55
1709808			Bushing	65 mm		CTC-1140754	38.00
2959396			P-UB-10	65 mm	100 mm	CTC-1709941	207.55
2959396			Bushing	65 mm		CTC-1140754	38.00
JCD1-UP; JNK1-UP							
1589061			P-U-10	85 mm	120 mm	CTC-2366389	175.29
1589061			Bushing	85 mm		CTC-1140756	54.86
2836132			P-UB-10	85 mm	120 mm	CTC-2366368	175.29
2836132			Bushing	85 mm		CTC-1140756	54.86
STICK							
GKX1-UP; JAB1-UP; KDD1-UP; MCA1-UP							
1915551			P-UB-10	115 mm	170 mm	CTC-2316844	508.33
1948273			P-UB-10	115 mm	170 mm	CTC-2316845	518.98
2897763			P-UB-10	115 mm	170 mm	CTC-2316844	508.33
2897780			P-UB-10	115 mm	170 mm	CTC-2316845	518.98
JAB1-UP; KDD1-UP							
2590767			P-UB-10	115 mm	170 mm	CTC-2590768	517.15
2897784			P-UB-10	115 mm	170 mm	CTC-2590768	517.15
JCD1-UP; JNK1-UP							
1915551			P-UB-10	115 mm	170 mm	CTC-2316844	508.33
UNSPECIFIED APPLICATION							
JCD1-UP; JNK1-UP							
1234121			P-UB-10	2	4	CTC-2409538	110.44
MODEL 330C L							
BOOM							
CAP1-UP; CGZ1-UP							
2255306			P-UB-10	110 mm	180 mm	CTC-2304001	420.27
2255306			Bushing	110 mm		CTC-1140762	125.08
CAP1-UP; CGZ1-UP; GKX1-UP; JAB1-UP; JCD1-UP; JNK1-UP; KDD1-UP; MCA1-UP; MKM1-UP							
1915548			P-UB-10	105 mm	150 mm	CTC-1915619	259.52
1915548			Bushing	105 mm		CTC-1140760	84.03

CATERPILLAR®

REPLACEMENT KITS FOR CATERPILLAR® EQUIPMENT

Excavators							
APPLICATION	CYL #	Misc-Parts, Instructions, etc.	CODE	ROD	BORE	KIT #	List \$
MODEL 330C L							
BOOM							
CAP1-UP; CGZ1-UP; JCD1-UP; JNK1-UP							
2502419			P-UB-10	105 mm	150 mm	CTC-2426840	280.78
2502419			Bushing	105 mm		CTC-1140760	84.03
CYA1-UP							
1915548			P-UB-10	105 mm	150 mm	CTC-1884219	259.52
1915548			Bushing	105 mm		CTC-1140760	84.03
DKY1-UP							
1915548			P-UB-10	105 mm	150 mm	CTC-1884219	259.52
1915548			Bushing	105 mm		CTC-1140760	84.03
GKX1-UP; JAB1-UP; KDD1-UP; MCA1-UP							
2502473			P-UB-10	105 mm	150 mm	CTC-2502475	217.70
2502473			Bushing	105 mm		CTC-1140760	84.03
GKX1-UP; MCA1-UP; CYA1-UP							
2502419			P-UB-10	105 mm	150 mm	CTC-2426840	280.78
2502419			Bushing	105 mm		CTC-1140760	84.03
JAB1-UP; KDD1-UP							
1948270			P-UB-10	105 mm	150 mm	CTC-2003315	259.52
1948270			Bushing	105 mm		CTC-1140760	84.03
2502419			P-UB-10	105 mm	150 mm	CTC-2426840	280.78
2502419			Bushing	105 mm		CTC-1140760	84.03
2590742			P-UB-10	105 mm	150 mm	CTC-2590743	200.34
2590742			Bushing	105 mm		CTC-1140760	84.03
MKM1-UP							
2162731			P-UB-10	110 mm	160 mm	CTC-2042721	371.52
2162731			Bushing	110 mm		CTC-1140762	125.08
BUCKET							
CAP1-UP; CGZ1-UP; DKY1-UP; GKX1-UP; JAB1-UP; JCD1-UP; JNK1-UP; KDD1-UP; MCA1-UP; MKM1-UP							
1772465			P-UB-10	105 mm	150 mm	CTC-1915619	259.52
1772465			Bushing	105 mm		CTC-1140760	84.03
1915554			P-UB-10	110 mm	160 mm	CTC-2159988	319.62
1915554			Bushing	110 mm		CTC-1140762	125.08
CAP1-UP; CGZ1-UP; GKX1-UP; JAB1-UP; JCD1-UP; JNK1-UP; KDD1-UP; MCA1-UP; MKM1-UP							
2478853			P-UB-10	105 mm	150 mm	CTC-1915619	259.52
2478853			Bushing	105 mm		CTC-1140760	84.03
CYA1-UP							
1772465			P-UB-10	105 mm	150 mm	CTC-1884219	259.52
1772465			Bushing	105 mm		CTC-1140760	84.03
1915554			P-UB-10	110 mm	160 mm	CTC-1948396	338.83
1915554			Bushing	110 mm		CTC-1140762	125.08
GKX1-UP; JAB1-UP; KDD1-UP; MCA1-UP							
2478854			P-UB-10	105 mm	150 mm	CTC-2502475	217.70
2478854			Bushing	105 mm		CTC-1140760	84.03
JAB1-UP; KDD1-UP							
1948276			P-UB-10	105 mm	150 mm	CTC-2003315	259.52
1948276			Bushing	105 mm		CTC-1140760	84.03
1948279			P-UB-10	110 mm	160 mm	CTC-1948235	378.61
1948279			Bushing	110 mm		CTC-1140762	125.08
2590746			P-UB-10	105 mm	150 mm	CTC-2590743	200.34
2590746			Bushing	105 mm		CTC-1140760	84.03
2590750			P-UB-10	110 mm	160 mm	CTC-2590751	368.31
2590750			Bushing	110 mm		CTC-1140762	125.08

REPLACEMENT KITS FOR CATERPILLAR® EQUIPMENT

Excavators							
APPLICATION	CYL #	Misc-Parts, Instructions, etc.	CODE	ROD	BORE	KIT #	List \$
MODEL 330C L							
BUCKET							
JCD1-UP							
1709808			P-UB-10	65 mm	100 mm	CTC-1709941	207.55
1709808			Bushing	65 mm		CTC-1140754	38.00
2959396			P-UB-10	65 mm	100 mm	CTC-1709941	207.55
2959396			Bushing	65 mm		CTC-1140754	38.00
JCD1-UP; JNK1-UP							
1589061			P-U-10	85 mm	120 mm	CTC-2366389	175.29
1589061			Bushing	85 mm		CTC-1140756	54.86
2836132			P-UB-10	85 mm	120 mm	CTC-2366368	175.29
2836132			Bushing	85 mm		CTC-1140756	54.86
QUICK COUPLER							
DKY1-UP							
1728403			I-U-14	50 mm	100 mm	CTC-2525507	254.75
STICK							
CAP1-UP; CGZ1-UP; JCD1-UP; JNK1-UP; MKM1-UP							
1915551			P-UB-10	115 mm	170 mm	CTC-2316844	508.33
1915551			Bushing	115 mm		CTC-1915644	119.24
CYA1-UP							
1915551			P-UB-10	115 mm	170 mm	CTC-1915649	508.33
1915551			Bushing	115 mm		CTC-1915644	119.24
CYA1-UP; GKX1-UP; JAB1-UP; KDD1-UP; MCA1-UP							
2897763			P-UB-10	115 mm	170 mm	CTC-2316844	508.33
DKY1-UP							
1915551			P-UB-10	115 mm	170 mm	CTC-2316844	508.33
1915551			Bushing	115 mm		CTC-1915644	119.24
GKX1-UP; JAB1-UP; KDD1-UP; MCA1-UP							
1915551			P-UB-10	115 mm	170 mm	CTC-2316844	508.33
1915551			Bushing	115 mm		CTC-1915644	119.24
1948273			P-UB-10	115 mm	170 mm	CTC-2316845	518.98
2897780			P-UB-10	115 mm	170 mm	CTC-2316845	518.98
JAB1-UP; KDD1-UP							
2590767			P-UB-10	115 mm	170 mm	CTC-2590768	517.15
2897784			P-UB-10	115 mm	170 mm	CTC-2590768	517.15
MKM1-UP							
2141591			P-UB-10	90 mm	130 mm	CTC-2119614	252.68
2141591			Bushing	90 mm		CTC-1140758	63.28
2228776			P-UB-10	100 mm	140 mm	CTC-2159985	196.01
2228776			Bushing	100 mm		CTC-1140757	77.11
UNSPECIFIED APPLICATION							
CAP1-UP; JCD1-UP; JNK1-UP							
1234121			P-UB-10	2	4	CTC-2409538	110.44
MODEL 330C LN							
BOOM							
CAP1-UP; CGZ1-UP							
1915548			P-UB-10	105 mm	150 mm	CTC-1915619	259.52
1915548			Bushing	105 mm		CTC-1140760	84.03
2255306			P-UB-10	110 mm	180 mm	CTC-2304001	420.27
2255306			Bushing	110 mm		CTC-1140762	125.08
2502419			P-UB-10	105 mm	150 mm	CTC-2426840	280.78
2502419			Bushing	105 mm		CTC-1140760	84.03

REPLACEMENT KITS FOR CATERPILLAR® EQUIPMENT

Excavators							
APPLICATION	CYL #	Misc-Parts, Instructions, etc.	CODE	ROD	BORE	KIT #	List \$
MODEL 330C LN							
BUCKET							
CAP1-UP; CGZ1-UP							
1772465			P-UB-10	105 mm	150 mm	CTC-1915619	259.52
1772465			Bushing	105 mm		CTC-1140760	84.03
1915554			P-UB-10	110 mm	160 mm	CTC-2159988	319.62
1915554			Bushing	110 mm		CTC-1140762	125.08
2478853			P-UB-10	105 mm	150 mm	CTC-1915619	259.52
2478853			Bushing	105 mm		CTC-1140760	84.03
STICK							
CAP1-UP; CGZ1-UP							
1915551			P-UB-10	115 mm	170 mm	CTC-2316844	508.33
UNSPECIFIED APPLICATION							
CAP1-UP							
1234121			P-UB-10	2	4	CTC-2409538	110.44
MODEL 330D							
BOOM							
EAH1-UP; EDX1-UP; ERN1-UP; FFK1-UP; MEY1-UP; NBD1-UP; THJ1-UP							
2344598			P-UB-10	105 mm	150 mm	CTC-2426840	280.78
2344598			Bushing	105 mm		CTC-1140760	84.03
EAH1-UP; FFK1-UP							
3119517			P-UB-10	105 mm	150 mm	CTC-2426840	280.78
3119517			Bushing	105 mm		CTC-1140760	84.03
3119524			P-UB-10	105 mm	150 mm	CTC-2502475	217.70
3119524			Bushing	105 mm		CTC-1140760	84.03
EAH1-UP; FFK1-UP; MEY1-UP; NBD1-UP							
2344608			P-UB-10	105 mm	150 mm	CTC-2502475	217.70
2344608			Bushing	105 mm		CTC-1140760	84.03
EDX1-UP; MEY1-UP; NBD1-UP							
2668074			P-UB-10	105 mm	150 mm	CTC-2590743	200.34
2668074			Bushing	105 mm		CTC-1140760	84.03
2898021			P-UB-10	105 mm	150 mm	CTC-2426840	280.78
2898021			Bushing	105 mm		CTC-1140760	84.03
MEY1-UP; NBD1-UP							
2898050			P-UB-10	105 mm	150 mm	CTC-2502475	217.70
2898050			Bushing	105 mm		CTC-1140760	84.03
BUCKET							
EAH1-UP; EDX1-UP; ERN1-UP; FFK1-UP; MEY1-UP; NBD1-UP; THJ1-UP							
2254581			P-UB-10	105 mm	150 mm	CTC-1915619	259.52
2254581			Bushing	105 mm		CTC-1140760	84.03
2344604			P-UB-10	110 mm	160 mm	CTC-2254625	431.63
2344604			Bushing	110 mm		CTC-1140762	125.08
EAH1-UP; FFK1-UP; MEY1-UP; NBD1-UP							
2254602			P-UB-10	105 mm	150 mm	CTC-2502475	217.70
2254602			Bushing	105 mm		CTC-1140760	84.03
2344614			P-UB-10	110 mm	160 mm	CTC-1948235	378.61
2344614			Bushing	110 mm		CTC-1140762	125.08
EDX1-UP; MEY1-UP; NBD1-UP							
2668083			P-UB-10	110 mm	160 mm	CTC-2590751	368.31
2668083			Bushing	110 mm		CTC-1140762	125.08
ERN1-UP; THJ1-UP							
2426767			P-UB-10	85 mm	120 mm	CTC-2478790	175.29
2426767			Bushing	85 mm		CTC-1140756	54.86
2898012			P-UB-10	105 mm	150 mm	CTC-1915619	259.52
2898012			Bushing	105 mm		CTC-1140760	84.03
2898041			P-UB-10	110 mm	160 mm	CTC-2254625	431.63
2898041			Bushing	110 mm		CTC-1140762	125.08

REPLACEMENT KITS FOR CATERPILLAR® EQUIPMENT

Excavators							
APPLICATION	CYL #	Misc-Parts, Instructions, etc.	CODE	ROD	BORE	KIT #	List \$
MODEL 330D							
STICK							
EAH1-UP; EDX1-UP; ERN1-UP; FFK1-UP; MEY1-UP; NBD1-UP; THJ1-UP							
2344601			P-UB-10	115 mm	170 mm	CTC-2316844	508.33
2836188			P-UB-10	115 mm	170 mm	CTC-2316844	508.33
EAH1-UP; FFK1-UP; MEY1-UP; NBD1-UP							
2836194			P-UB-10	115 mm	170 mm	CTC-2316845	518.98
EDX1-UP; MEY1-UP; NBD1-UP							
2668077			P-UB-10	115 mm	170 mm	CTC-2590768	517.15
2836195			P-UB-10	115 mm	170 mm	CTC-2590768	517.15
2898031			P-UB-10	115 mm	170 mm	CTC-2316844	508.33
MEY1-UP; NBD1-UP							
2344611			P-UB-10	115 mm	170 mm	CTC-2316845	518.98
2898053			P-UB-10	115 mm	170 mm	CTC-2316845	518.98
MODEL 330D L							
BOOM							
B6H1-UP; EAH1-UP; EDX1-UP; FFK1-UP; GGE1-UP; HAS1-UP; JLP1-UP; MAG1-UP; MEY1-UP; MWP1-UP; NBD1-UP; RAS1-UP; T2Y1-UP							
2344598			P-UB-10	105 mm	150 mm	CTC-2426840	280.78
2344598			Bushing	105 mm		CTC-1140760	84.03
B6H1-UP; EDX1-UP; GGE1-UP; JLP1-UP; LRM1-UP; MEY1-UP; MWP1-UP; NBD1-UP; RAS1-UP; T2Y1-UP							
2898021			P-UB-10	105 mm	150 mm	CTC-2426840	280.78
2898021			Bushing	105 mm		CTC-1140760	84.03
EAH1-UP; FFK1-UP							
3119517			P-UB-10	105 mm	150 mm	CTC-2426840	280.78
3119517			Bushing	105 mm		CTC-1140760	84.03
3119524			P-UB-10	105 mm	150 mm	CTC-2502475	217.70
3119524			Bushing	105 mm		CTC-1140760	84.03
EAH1-UP; FFK1-UP; MEY1-UP; NBD1-UP							
2344608			P-UB-10	105 mm	150 mm	CTC-2502475	217.70
2344608			Bushing	105 mm		CTC-1140760	84.03
EDX1-UP; MEY1-UP; NBD1-UP							
2668074			P-UB-10	105 mm	150 mm	CTC-2590743	200.34
2668074			Bushing	105 mm		CTC-1140760	84.03
GGE1-UP; RAS1-UP							
2255306			P-UB-10	110 mm	180 mm	CTC-2304001	420.27
2255306			Bushing	110 mm		CTC-1140762	125.08
MEY1-UP; NBD1-UP							
2898050			P-UB-10	105 mm	150 mm	CTC-2502475	217.70
2898050			Bushing	105 mm		CTC-1140760	84.03
BUCKET							
B6H1-UP; EAH1-UP; EDX1-UP; FFK1-UP; GGE1-UP; HAS1-UP; JLP1-UP; MAG1-UP; MEY1-UP; MWP1-UP; NBD1-UP; RAS1-UP; T2Y1-UP							
2254581			P-UB-10	105 mm	150 mm	CTC-1915619	259.52
2254581			Bushing	105 mm		CTC-1140760	84.03
B6H1-UP; EAH1-UP; EDX1-UP; FFK1-UP; GGE1-UP; JLP1-UP; MEY1-UP; NBD1-UP; RAS1-UP; T2Y1-UP							
2344604			P-UB-10	110 mm	160 mm	CTC-2254625	431.63
2344604			Bushing	110 mm		CTC-1140762	125.08
B6H1-UP; GGE1-UP; HAS1-UP; JLP1-UP; LRM1-UP; MWP1-UP; RAS1-UP; T2Y1-UP							
2898012			P-UB-10	105 mm	150 mm	CTC-1915619	259.52
2898012			Bushing	105 mm		CTC-1140760	84.03
EAH1-UP; FFK1-UP; MEY1-UP; NBD1-UP							
2254602			P-UB-10	105 mm	150 mm	CTC-2502475	217.70
2254602			Bushing	105 mm		CTC-1140760	84.03
2344614			P-UB-10	110 mm	160 mm	CTC-1948235	378.61
2344614			Bushing	110 mm		CTC-1140762	125.08

REPLACEMENT KITS FOR CATERPILLAR® EQUIPMENT

Excavators							
APPLICATION	CYL #	Misc-Parts, Instructions, etc.	CODE	ROD	BORE	KIT #	List \$
MODEL 330D L							
BUCKET							
EDX1-UP; MEY1-UP; NBD1-UP							
2668083			P-UB-10	110 mm	160 mm	CTC-2590751	368.31
2668083			Bushing	110 mm		CTC-1140762	125.08
GGE1-UP; HAS1-UP; LRM1-UP; MWP1-UP; RAS1-UP; T2Y1-UP							
2898041			P-UB-10	110 mm	160 mm	CTC-2254625	431.63
2898041			Bushing	110 mm		CTC-1140762	125.08
MWP1-UP							
2254529			P-UB-10	110 mm	160 mm	CTC-2254625	431.63
2254529			Bushing	110 mm		CTC-1140762	125.08
QUICK COUPLER							
B6H1-UP; JLP1-UP							
1690753			P-U-5	40 mm	70 mm	CTC-2191322	55.25
STICK							
B6H1-UP; EAH1-UP; EDX1-UP; FFK1-UP; GGE1-UP; HAS1-UP; JLP1-UP; MEY1-UP; MWP1-UP; NBD1-UP; RAS1-UP; T2Y1-UP							
2344601			P-UB-10	115 mm	170 mm	CTC-2316844	508.33
B6H1-UP; EDX1-UP; GGE1-UP; MEY1-UP; NBD1-UP; RAS1-UP; T2Y1-UP; JLP1-UP; LRM1-UP							
2898031			P-UB-10	115 mm	170 mm	CTC-2316844	508.33
EAH1-UP; EDX1-UP; FFK1-UP; HAS1-UP; MAG1-UP; MEY1-UP; NBD1-UP; T2Y1-UP							
2836188			P-UB-10	115 mm	170 mm	CTC-2316844	508.33
EAH1-UP; FFK1-UP; MEY1-UP; NBD1-UP							
2836194			P-UB-10	115 mm	170 mm	CTC-2316845	518.98
EDX1-UP; MEY1-UP; NBD1-UP							
2668077			P-UB-10	115 mm	170 mm	CTC-2590768	517.15
2836195			P-UB-10	115 mm	170 mm	CTC-2590768	517.15
MEY1-UP; NBD1-UP							
2344611			P-UB-10	115 mm	170 mm	CTC-2316845	518.98
2898053			P-UB-10	115 mm	170 mm	CTC-2316845	518.98
MWP1-UP							
2898031			P-UB-10	115 mm	170 mm	CTC-2316844	508.33
MODEL 330D N							
BOOM							
GGE1-UP; RAS1-UP							
2255306			P-UB-10	110 mm	180 mm	CTC-2304001	420.27
2255306			Bushing	110 mm		CTC-1140762	125.08
2344598			P-UB-10	105 mm	150 mm	CTC-2426840	280.78
2344598			Bushing	105 mm		CTC-1140760	84.03
2898021			P-UB-10	105 mm	150 mm	CTC-2426840	280.78
2898021			Bushing	105 mm		CTC-1140760	84.03
BUCKET							
GGE1-UP; RAS1-UP							
2254581			P-UB-10	105 mm	150 mm	CTC-1915619	259.52
2254581			Bushing	105 mm		CTC-1140760	84.03
2344604			P-UB-10	110 mm	160 mm	CTC-2254625	431.63
2344604			Bushing	110 mm		CTC-1140762	125.08
2898012			P-UB-10	105 mm	150 mm	CTC-1915619	259.52
2898012			Bushing	105 mm		CTC-1140760	84.03
2898041			P-UB-10	110 mm	160 mm	CTC-2254625	431.63
2898041			Bushing	110 mm		CTC-1140762	125.08
STICK							
GGE1-UP; RAS1-UP							
2344601			P-UB-10	115 mm	170 mm	CTC-2316844	508.33
2898031			P-UB-10	115 mm	170 mm	CTC-2316844	508.33

REPLACEMENT KITS FOR CATERPILLAR® EQUIPMENT

Excavators							
APPLICATION	CYL #	Misc-Parts, Instructions, etc.	CODE	ROD	BORE	KIT #	List \$
MODEL 330F							
BOOM							
LNK1-UP							
3412172			P-UB-10	100 mm	140 mm	CTC-4560200	308.54
3412172			Bushing	100 mm		CTC-0965625	76.50
TRACK ADJUSTER							
LNK1-UP							
2979150			TRK ADJ			CTC-SK100115	89.41
MODEL 330F L							
BOOM							
GHT1-UP; HCK1-UP; LCG1-UP; MBX1-UP							
3412172			P-UB-10	100 mm	140 mm	CTC-4560200	308.54
3412172			Bushing	100 mm		CTC-0965625	76.50
BUCKET							
GHT1-UP; HCK1-UP; LCG1-UP; MBX1-UP							
3412182			P-UB-10	95 mm	135 mm	CTC-4560209	249.96
3412182			Bushing	95 mm		CTC-0964430	55.81
HCK1-UP; LCG1-UP; MBX1-UP							
3550712			P-UB-10	95 mm	135 mm	CTC-3979295	392.71
3550712			Bushing	95 mm		CTC-1289260	65.66
3852834			P-UB-14	70 mm	100 mm	CTC-3904227	357.72
3852834			Bushing	70 mm		CTC-3904158	37.36
LCG1-UP; MBX1-UP							
3579766			P-UB-10	105 mm	150 mm	CTC-5185138	260.84
3579766			Bushing	105 mm		CTC-1140760	84.03
COUPLER							
HCK1-UP; MBX1-UP							
3897213			I-U-10	1-1/2	2-1/2	CTC-4536523	24.49
3897213			Chk Vlv Kit			CTC-2138433	19.97
MBX1-UP							
2948011			P-U-10,12	2	3-1/2	CTC-3460643	70.28
STICK							
GHT1-UP; HCK1-UP; LCG1-UP; MBX1-UP							
3412177			P-UB-10	105 mm	150 mm	CTC-4560205	358.90
3412177			Bushing	105 mm		CTC-0995572	65.80
5656417			P-UB-10	105 mm	150 mm	CTC-4560205	358.90
5656417			Bushing	105 mm		CTC-0995572	65.80
HCK1-UP							
2166607			P-UB-10	105 mm	150 mm	CTC-5551814	275.77
2166607			Bushing	105 mm		CTC-1140760	84.03
LCG1-UP; MBX1-UP							
2166607			P-UB-10	105 mm	150 mm	CTC-5185133	275.77
2166607			Bushing	105 mm		CTC-1140760	84.03
TRACK ADJUSTER							
GHT1-UP; HCK1-UP; LCG1-UP; MBX1-UP							
2979150			TRK ADJ			CTC-SK100115	89.41
MODEL 330F LN							
BOOM							
HBT1-UP; JFR1-UP; JHF1-UP; KFA1-UP; LBN1-UP; WBA1-UP							
3412172			P-UB-10	100 mm	140 mm	CTC-4560200	308.54
3412172			Bushing	100 mm		CTC-0965625	76.50
BUCKET							
HBT1-UP; JFR1-UP; JHF1-UP; KFA1-UP; LBN1-UP; WBA1-UP							
3412182			P-UB-10	95 mm	135 mm	CTC-4560209	249.96
3412182			Bushing	95 mm		CTC-0964430	55.81
3550712			P-UB-10	95 mm	135 mm	CTC-3979295	392.71
3550712			Bushing	95 mm		CTC-1289260	65.66

REPLACEMENT KITS FOR CATERPILLAR® EQUIPMENT

Excavators							
APPLICATION	CYL #	Misc-Parts, Instructions, etc.	CODE	ROD	BORE	KIT #	List \$
MODEL 330F LN							
BUCKET							
LBN1-UP; WBA1-UP							
3579766			P-UB-10	105 mm	150 mm	CTC-5185138	260.84
3579766			Bushing	105 mm		CTC-1140760	84.03
COUPLER							
JHF1-UP; KFA1-UP							
3897213			I-U-10	1-1/2	2-1/2	CTC-4536523	24.49
3897213			Chk Vlv Kit			CTC-2138433	19.97
LBN1-UP; WBA1-UP							
1690753			P-U-5	40 mm	70 mm	CTC-2191322	55.25
STICK							
HBT1-UP; JFR1-UP; JHF1-UP; KFA1-UP							
5656417			P-UB-10	105 mm	150 mm	CTC-4560205	358.90
5656417			Bushing	105 mm		CTC-0995572	65.80
HBT1-UP; JFR1-UP; JHF1-UP; KFA1-UP; LBN1-UP; WBA1-UP							
3412177			P-UB-10	105 mm	150 mm	CTC-4560205	358.90
3412177			Bushing	105 mm		CTC-0995572	65.80
LBN1-UP; WBA1-UP							
2166607			P-UB-10	105 mm	150 mm	CTC-5185133	275.77
2166607			Bushing	105 mm		CTC-1140760	84.03
TRACK ADJUSTER							
HBT1-UP; JFR1-UP; JHF1-UP; KFA1-UP; LBN1-UP; WBA1-UP							
2979150			TRK ADJ			CTC-SK100115	89.41
MODEL 330G							
BOOM							
EET1-UP; FEK1-UP; GDW1-UP; NDH1-UP; RBN1-UP; SCZ1-UP; SYH1-UP; TML1-UP							
5165827			P-UB-10	100 mm	140 mm	CTC-4560200	308.54
5165827			Bushing	100 mm		CTC-0965625	76.50
EET1-UP; FEK1-UP; SYH1-UP							
5655677			P-UB-10	100 mm	140 mm	CTC-4642937	284.54
5655677			Bushing	100 mm		CTC-0965625	76.50
BUCKET							
EET1-UP							
5947113			P-UB-10	95 mm	135 mm	CTC-4642935	266.19
5947113			Bushing	95 mm		CTC-0964430	55.81
EET1-UP; FEK1-UP; GDW1-UP; NDH1-UP; SCZ1-UP; SYH1-UP; TML1-UP							
5165842			P-UB-10	95 mm	135 mm	CTC-4560209	249.96
5165842			Bushing	95 mm		CTC-0964430	55.81
EET1-UP; FEK1-UP; GDW1-UP; TML1-UP							
6268986			P-UB-10	105 mm	150 mm	CTC-6268987	288.21
6268986			Bushing	105 mm		CTC-5938312	79.79
EET1-UP; FEK1-UP; RBN1-UP; SCZ1-UP; TML1-UP							
5947105			P-UB-10	95 mm	135 mm	CTC-4560209	249.96
5947105			Bushing	95 mm		CTC-0964430	55.81
FEK1-UP; GDW1-UP; SYH1-UP; TML1-UP							
5122365			P-UB-10	105 mm	150 mm	CTC-5551816	260.28
5122365			Bushing	105 mm		CTC-5938312	79.79
5773705			P-UB-10	105 mm	150 mm	CTC-5952033	551.89
5773705			Bushing	105 mm		CTC-5945726	72.73
SYH1-UP							
5655681			P-UB-10	95 mm	135 mm	CTC-4642935	266.19
5655681			Bushing	95 mm		CTC-0964430	55.81

REPLACEMENT KITS FOR CATERPILLAR® EQUIPMENT

Excavators							
APPLICATION	CYL #	Misc-Parts, Instructions, etc.	CODE	ROD	BORE	KIT #	List \$
MODEL 330G							
COUPLER							
EET1-UP; GDW1-UP; NDH1-UP; SCZ1-UP							
3897213			I-U-10	1-1/2	2-1/2	CTC-4536523	24.49
3897213			Chk Vlv Kit			CTC-2138433	19.97
5638381			I-UB-10	40 mm	63 mm	CTC-5765831	94.58
5638381			Chk Vlv Kit			CTC-2138433	19.97
5776378			I-U-10	40 mm	63 mm	CTC-5770458	49.03
5776378			Chk Vlv Kit			CTC-2138433	19.97
STICK							
EET1-UP; FEK1-UP							
5655679			P-UB-10	105 mm	150 mm	CTC-5732755	219.61
5655679			Bushing	105 mm		CTC-0995572	65.80
EET1-UP; FEK1-UP; GDW1-UP; NDH1-UP; RBN1-UP; SCZ1-UP; SYH1-UP; TML1-UP							
5165834			P-UB-10	105 mm	150 mm	CTC-5284258	199.04
5165834			Bushing	105 mm		CTC-0995572	65.80
EET1-UP; FEK1-UP; GDW1-UP; RBN1-UP; SCZ1-UP; TML1-UP							
5947100			P-UB-10	105 mm	150 mm	CTC-5266137	187.61
5947100			Bushing	105 mm		CTC-0995572	65.80
EET1-UP; FEK1-UP; SYH1-UP							
5947110			P-UB-10	105 mm	150 mm	CTC-5732755	219.61
5947110			Bushing	105 mm		CTC-0995572	65.80
MODEL 330L							
BOOM							
7Y4906			P-UB-10	105 mm	150 mm	CTC-1163612	482.77
BUCKET							
1183921			P-UB-10	105 mm	150 mm	CTC-1163612	482.77
1183935			P-UB-10	110 mm	160 mm	CTC-1183946	576.98
411726			P-UB-10	110 mm	160 mm	CTC-0876654	510.63
7Y5100			P-UB-10	85 mm	130 mm	CTC-7Y5145	427.56
7Y5150			P-UB-10	105 mm	150 mm	CTC-1163612	482.77
875531			P-UB-10	110 mm	160 mm	CTC-0876654	510.63
STICK							
1163638			P-UB-10	110 mm	170 mm	CTC-1163649	455.70
7Y4926			P-UB-10	110 mm	170 mm	CTC-1163649	455.70
TILT							
1163578			P-UB-10	105 mm	150 mm	CTC-1163612	482.77
MODEL 335F L							
BLADE LH							
FEP1-UP; SGJ1-UP							
1913288			P-UB-10	100 mm	140 mm	CTC-4661538	292.56
1913288			Bushing	100 mm		CTC-0965625	76.50
BLADE RH							
FEP1-UP; SGJ1-UP							
1913286			P-UB-10	100 mm	140 mm	CTC-4661538	292.56
1913286			Bushing	100 mm		CTC-0965625	76.50
BOOM							
FEP1-UP; SGJ1-UP							
3991890			P-UB-10	100 mm	140 mm	CTC-4560200	308.54
3991890			Bushing	100 mm		CTC-0965625	76.50
BUCKET							
FEP1-UP; SGJ1-UP							
3412182			P-UB-10	95 mm	135 mm	CTC-4560209	249.96
3412182			Bushing	95 mm		CTC-0964430	55.81
SGJ1-UP							
3412177			P-UB-10	105 mm	150 mm	CTC-4560205	358.90
3412177			Bushing	105 mm		CTC-0995572	65.80

CATERPILLAR®

REPLACEMENT KITS FOR CATERPILLAR® EQUIPMENT

Excavators							
APPLICATION	CYL #	Misc-Parts, Instructions, etc.	CODE	ROD	BORE	KIT #	List \$
MODEL 335F L							
COUPLER							
FEP1-UP; SGJ1-UP							
3897213			I-U-10	1-1/2	2-1/2	CTC-4536523	24.49
3897213			Chk Vlv Kit			CTC-2138433	19.97
STICK							
FEP1-UP; SGJ1-UP							
5656417			P-UB-10	105 mm	150 mm	CTC-4560205	358.90
5656417			Bushing	105 mm		CTC-0995572	65.80
TRACK ADJUSTER							
FEP1-UP; SGJ1-UP							
2979151			TRK ADJ			CTC-SK100116	217.39
MODEL 335F LCR							
BLADE LH							
KNE1-UP							
1913288			P-UB-10	100 mm	140 mm	CTC-4661538	292.56
1913288			Bushing	100 mm		CTC-0965625	76.50
BLADE RH							
KNE1-UP							
1913286			P-UB-10	100 mm	140 mm	CTC-4661538	292.56
1913286			Bushing	100 mm		CTC-0965625	76.50
BOOM							
KNE1-UP							
3991890			P-UB-10	100 mm	140 mm	CTC-4560200	308.54
3991890			Bushing	100 mm		CTC-0965625	76.50
BUCKET							
KNE1-UP							
3412182			P-UB-10	95 mm	135 mm	CTC-4560209	249.96
3412182			Bushing	95 mm		CTC-0964430	55.81
COUPLER							
KNE1-UP							
2948011			P-U-10,12	2	3-1/2	CTC-3460643	70.28
3897213			I-U-10	1-1/2	2-1/2	CTC-4536523	24.49
3897213			Chk Vlv Kit			CTC-2138433	19.97
STICK							
KNE1-UP							
3412177			P-UB-10	105 mm	150 mm	CTC-4560205	358.90
3412177			Bushing	105 mm		CTC-0995572	65.80
5656417			P-UB-10	105 mm	150 mm	CTC-4560205	358.90
5656417			Bushing	105 mm		CTC-0995572	65.80
TRACK ADJUSTER							
KNE1-UP							
2979151			TRK ADJ			CTC-SK100116	217.39
MODEL 336							
BOOM							
DKS1-UP							
5122357			P-UB-10	105 mm	150 mm	CTC-5185133	275.77
5122357			Bushing	105 mm		CTC-1140760	84.03
FEL1-UP; GDY1-UP; MZR1-UP							
5303079			P-UB-10	105 mm	150 mm	CTC-5655573	212.82
5303079			Bushing	105 mm		CTC-5938312	79.79
FEL1-UP; GDY1-UP; MZR1-UP; YBN1-UP; ZDB1-UP							
5313130			P-UB-10	105 mm	150 mm	CTC-5655572	216.88
5313130			Bushing	105 mm		CTC-5938312	79.79
FEL1-UP; JHD1-UP; RDL1-UP; SP91-UP; YBN1-UP; ZDB1-UP; ZFC1-UP							
5122357			P-UB-10	105 mm	150 mm	CTC-5551814	275.77
5122357			Bushing	105 mm		CTC-1140760	84.03

REPLACEMENT KITS FOR CATERPILLAR® EQUIPMENT

Excavators							
APPLICATION	CYL #	Misc-Parts, Instructions, etc.	CODE	ROD	BORE	KIT #	List \$
MODEL 336							
BOOM							
FEL1-UP; JHD1-UP; RDL1-UP; YBN1-UP							
6253393			P-UB-10	105 mm	150 mm	CTC-5551814	275.77
6253393			Bushing	105 mm		CTC-5938312	79.79
GDY1-UP; HDF1-UP; MZR1-UP; SYL1-UP; WFF1-UP							
5122357			P-UB-10	105 mm	150 mm	CTC-5551814	275.77
5122357			Bushing	105 mm		CTC-5938312	79.79
JHD1-UP; RDL1-UP; YBN1-UP							
6236003			P-UB-10	105 mm	150 mm	CTC-5945734	549.99
6236003			Bushing	105 mm		CTC-5945726	72.73
BUCKET							
DKS1-UP; FEL1-20050; GDY1-UP; HDF1-UP; JHD1-10193; MZR1-UP; RDL1-240; SP91-UP; SYL1-UP; WFF1-UP; YBN1-UP; ZDB1-UP; ZFC1-UP							
5122365			P-UB-10	105 mm	150 mm	CTC-5551816	260.28
5122365			Bushing	105 mm		CTC-5938312	79.79
DKS1-UP; FEL1-UP; GDY1-UP; HDF1-UP; JHD1-UP; MZR1-UP; RDL1-UP; SP91-UP; SYL1-UP; WFF1-UP; YBN1-UP; ZDB1-UP; ZFC1-UP							
5223895			P-UB-10	110 mm	160 mm	CTC-5635553	279.83
5223895			Bushing	110 mm		CTC-5938314	118.79
DKS1-UP; FEL1-UP; GDY1-UP; HDF1-UP; JHD1-UP; MZR1-UP; RDL1-UP; SP920271-UP; SYL1-UP; WFF1-UP; YBN1-UP; ZDB1-UP; ZFC1-UP							
5773705			P-UB-10	105 mm	150 mm	CTC-5952033	551.89
5773705			Bushing	105 mm		CTC-5945726	72.73
DKS1-UP; FEL1-UP; GDY1-UP; HDF1-UP; JHD1-UP; MZR1-UP; RDL1-UP; SYL1-UP; WFF1-UP; YBN1-UP; ZDB1-UP							
5773713			P-UB-10	110 mm	160 mm	CTC-5952055	374.53
5773713			Bushing	110 mm		CTC-5952052	83.25
FEL1-UP							
5303083			P-UB-10	105 mm	150 mm	CTC-5655573	212.82
5303083			Bushing	105 mm		CTC-1140760	84.03
5313134			P-UB-10	105 mm	150 mm	CTC-5197965	357.89
5313134			Bushing	105 mm		CTC-1140760	84.03
FEL1-UP; GDY1-UP; YBN1-UP							
5313128			P-UB-10	110 mm	160 mm	CTC-5655575	272.01
5313128			Bushing	110 mm		CTC-1140762	125.08
FEL1-UP; JHD1-UP; RDL1-UP; YBN1-UP							
6241290			P-UB-10	110 mm	160 mm	CTC-5952055	374.53
6241290			Bushing	110 mm		CTC-5952052	83.25
FEL1-UP; YBN1-UP							
5313136			P-UB-10	110 mm	160 mm	CTC-5655574	279.44
5313136			Bushing	110 mm		CTC-5938314	118.79
FEL20051-UP; GDY1-UP; HDF1-UP; JHD10194-UP; MZR1-UP; RDL241-UP; SYL1-UP; WFF1-UP; YBN1-UP							
6268986			P-UB-10	105 mm	150 mm	CTC-6268987	288.21
6268986			Bushing	105 mm		CTC-5938312	79.79
GDY1-UP							
5303803			P-UB-10	105 mm	150 mm	CTC-5655573	212.82
5303803			Bushing	105 mm		CTC-5938312	79.79
GDY1-UP; MZR1-UP; ZDB1-UP							
5313134			P-UB-10	105 mm	150 mm	CTC-5655572	216.88
5313134			Bushing	105 mm		CTC-5938312	79.79
5313136			P-UB-10	110 mm	160 mm	CTC-5655574	279.44
5313136			Bushing	110 mm		CTC-1140762	125.08
MZR1-UP							
5303083			P-UB-10	105 mm	150 mm	CTC-5655573	212.82
5303083			Bushing	105 mm		CTC-5938312	79.79
5313128			P-UB-10	110 mm	160 mm	CTC-5655575	272.01
5313128			Bushing	110 mm		CTC-5938314	118.79

CATERPILLAR®

REPLACEMENT KITS FOR CATERPILLAR® EQUIPMENT

Excavators							
APPLICATION	CYL #	Misc-Parts, Instructions, etc.	CODE	ROD	BORE	KIT #	List \$
MODEL 336							
COUPLER							
DKS1043-UP; FEL1-UP; GDY1-UP; HDF1-UP; JHD1-UP; MZR1-UP; RDL1-UP; SYL1-UP; WFF1-UP; YBN1-UP							
5671404			I-U-14	45 mm	75 mm	CTC-5770460	52.12
5671404			Chk Vlv Kit			CTC-2138433	19.97
FEL1-UP; GDY1-UP; HDF1-UP; JHD1-UP; MZR1-UP; RDL1-UP; SYL1-UP; WFF1-UP; YBN1-UP							
3889752			I-U-10	1-3/4	3	CTC-6068999	69.38
3889752			Chk Vlv Kit			CTC-2138433	19.97
5638383			I-UB-10	45 mm	75 mm	CTC-5765832	130.37
5638383			Chk Vlv Kit			CTC-2138433	19.97
STICK							
DKS1-UP							
5122361			P-UB-10	115 mm	170 mm	CTC-5185137	359.44
5122361			Bushing	115 mm		CTC-1915644	119.24
DKS1-UP; FEL1-UP; GDY1-UP; HDF1-UP; JHD1-UP; MZR1-UP; RDL1-UP; SP91-UP; SYL1-UP; WFF1-UP; YBN1-UP; ZDB1-UP							
5773702			P-UB-10	115 mm	170 mm	CTC-5952016	633.88
5773702			Bushing	115 mm		CTC-5952010	93.30
DKS1-UP; GDY1-UP; HDF1-UP; JHD1-UP; MZR1-UP; RDL1-UP; SP91-UP; SYL1-UP; YBN1-UP; ZDB1-UP; ZFC1-UP							
6241282			P-UB-10	115 mm	170 mm	CTC-5952016	633.88
6241282			Bushing	115 mm		CTC-5952010	93.30
FEL1-20050; ZDB1-UP							
5122361			P-UB-10	115 mm	170 mm	CTC-5551815	329.49
5122361			Bushing	115 mm		CTC-1915644	119.24
FEL1-UP; GDY1-UP; MZR1-UP							
5303081			P-UB-10	115 mm	170 mm	CTC-5655577	247.11
5303081			Bushing	115 mm		CTC-5938315	113.24
FEL1-UP; GDY1-UP; MZR1-UP; YBN1-UP; ZDB1-UP							
5313132			P-UB-10	115 mm	170 mm	CTC-5655576	361.61
5313132			Bushing	115 mm		CTC-5938315	113.24
FEL20051-UP; GDY1-UP; HDF1-UP; JHD1-UP; MZR1-UP; RDL241-UP; SYL1-UP; WFF1-UP; YBN21751-UP							
6268983			P-UB-10	115 mm	170 mm	CTC-SK100226	247.44
6268983			Bushing	115 mm		CTC-5938315	113.24
GDY1-UP; HDF1-UP; JHD1-UP; MZR1-UP; RDL1-UP; SP91-UP; SYL1-UP; WFF1-UP; YBN1-21750; ZFC1-UP							
5122361			P-UB-10	115 mm	170 mm	CTC-5551815	329.49
5122361			Bushing	115 mm		CTC-5938315	113.24
MODEL 336D							
BOOM							
JBT1-UP							
3119517			P-UB-10	105 mm	150 mm	CTC-3249485	300.77
JBT1-UP; KKT1-UP; PGW1-UP							
3119524			P-UB-10	105 mm	150 mm	CTC-2502475	217.70
KKT1-UP							
3119531			P-UB-10	105 mm	150 mm	CTC-2502475	217.70
KKT1-UP; PGW1-UP							
3119517			P-UB-10	105 mm	150 mm	CTC-2426840	280.78
3119525			P-UB-10	105 mm	150 mm	CTC-2590743	200.34
3119526			P-UB-10	105 mm	150 mm	CTC-2426840	280.78
MYP1-UP							
2255306	Variable Adj Boom		P-UB-10	110 mm	180 mm	CTC-2304001	420.27
PGW1-UP							
3119531			P-UB-10	105 mm	150 mm	CTC-3764334	300.77

REPLACEMENT KITS FOR CATERPILLAR® EQUIPMENT

Excavators							
APPLICATION	CYL #	Misc-Parts, Instructions, etc.	CODE	ROD	BORE	KIT #	List \$
MODEL 336D							
BUCKET							
JBT1-UP; KKT1-UP; PGW1-UP							
3154442			P-UB-10	105 mm	150 mm	CTC-1915619	259.52
3154442			P-UB-10	105 mm	150 mm	CTC-3764331	251.79
3154449			P-UB-10	105 mm	150 mm	CTC-3764332	251.79
3154463			P-UB-10	110 mm	160 mm	CTC-2254625	431.63
3154471			P-UB-10	110 mm	160 mm	CTC-1948235	378.61
JBT1-UP; PGW1-UP							
3154463			P-UB-10	110 mm	160 mm	CTC-3338750	276.07
KKT1-UP							
2668083			P-UB-10	110 mm	160 mm	CTC-2590751	368.31
2898041			P-UB-10	110 mm	160 mm	CTC-2254625	431.63
KKT1-UP; MYG1-UP; MYP1-UP; PGW1-UP							
3154451			P-UB-10	105 mm	150 mm	CTC-1915619	259.52
KKT1-UP; PGW1-UP							
3154450			P-UB-10	105 mm	150 mm	CTC-2590743	200.34
3154455			P-UB-10	105 mm	150 mm	CTC-2502475	217.70
3154472			P-UB-10	110 mm	160 mm	CTC-2590751	368.31
3154473			P-UB-10	110 mm	160 mm	CTC-2254625	431.63
3154474			P-UB-10	110 mm	160 mm	CTC-1948235	378.61
MYG1-UP; MYP1-UP							
3154473			P-UB-10	110 mm	160 mm	CTC-3338750	276.07
COUPLER							
KKT1-UP; PGW1-UP							
2948011			P-U-10,12	2	3-1/2	CTC-3460643	70.28
MYG1-UP; MYP1-UP							
1690753			P-U-5	40 mm	70 mm	CTC-2191322	55.25
STICK							
JBT1-UP; KKT1-UP; PGW1-UP							
2836188			P-UB-10	115 mm	170 mm	CTC-2316844	508.33
2836194			P-UB-10	115 mm	170 mm	CTC-2316845	518.98
KKT1-UP							
2898031			P-UB-10	115 mm	170 mm	CTC-2316844	508.33
KKT1-UP; PGW1-UP							
2836188			P-UB-10	115 mm	170 mm	CTC-3198295	370.16
2836194			P-UB-10	115 mm	170 mm	CTC-3764333	370.16
2836195			P-UB-10	115 mm	170 mm	CTC-2590768	517.15
2898053			P-UB-10	115 mm	170 mm	CTC-2316845	518.98
MYP1-UP; PGW1-UP							
2898031			P-UB-10	115 mm	170 mm	CTC-3198295	370.16
MODEL 336D L							
BOOM							
DTS1-UP; J2F1-UP; JBF1-UP; JWR1-UP; KDJ1-UP; L5X1-UP; LMG1-UP; MDS1-UP; PPN1-UP; PRF1-UP; PTB1-UP; WET1-UP; W3K1-UP; WRKZ-UP; ZML1-UP							
3119526			P-UB-10	105 mm	150 mm	CTC-2426840	280.78
J2F1-UP; MDS1-UP; W3K1-UP; ZML1-UP							
3585972			P-UB-10	105 mm	150 mm	CTC-3249485	300.77
KDJ1-UP							
2255306	Variable Adj Boom		P-UB-10	110 mm	180 mm	CTC-2304001	420.27
M4T1-UP							
2898021			P-UB-10	105 mm	150 mm	CTC-2426840	280.78
MPL1-UP							
3119517			P-UB-10	105 mm	150 mm	CTC-3249485	300.77
MPL1-UP; PRF1-UP; WRK1-UP							
3119524			P-UB-10	105 mm	150 mm	CTC-2502475	217.70
PRF1-UP							
3119531			P-UB-10	105 mm	150 mm	CTC-2502475	217.70

REPLACEMENT KITS FOR CATERPILLAR® EQUIPMENT

Excavators							
APPLICATION	CYL #	Misc-Parts, Instructions, etc.	CODE	ROD	BORE	KIT #	List \$
MODEL 336D L							
BOOM							
PRF1-UP; WRK1-UP							
3119517			P-UB-10	105 mm	150 mm	CTC-2426840	280.78
3119525			P-UB-10	105 mm	150 mm	CTC-2590743	200.34
WRK1-UP							
3119531			P-UB-10	105 mm	150 mm	CTC-3764334	300.77
BUCKET							
DTS1-UP; J2F1-UP; JBF1-UP; JWR1-UP; KDJ1-UP; LMG1-UP; MDS1-UP; PPN1-UP; PTB1-UP; WET1-UP; W3K1-UP							
3154473			P-UB-10	110 mm	160 mm	CTC-3338750	276.07
DTS1-UP; J2F1-UP; JBF1-UP; JWR1-UP; KDJ1-UP; LMG1-UP; PPN1-UP; PRF1-UP; PTB1-UP; WET1-UP; W3K1-UP; WRK1-UP; ZML1-UP							
3154451			P-UB-10	105 mm	150 mm	CTC-1915619	259.52
DTS1-UP; JBF1-UP; JWR1-UP; LMG1-UP							
2897948			P-UB-10	85 mm	120 mm	CTC-2478790	175.29
J2F1-UP; M4T1-UP							
2898012			P-UB-10	105 mm	150 mm	CTC-1915619	259.52
J2F1-UP; MDS1-UP; W3K1-UP; ZML1-UP							
3579784			P-UB-10	110 mm	160 mm	CTC-3338750	276.07
3588482			P-UB-10	110 mm	160 mm	CTC-3338750	276.07
J2F1-UP; W3K1-UP; ZML1-UP							
3579766			P-UB-10	105 mm	150 mm	CTC-3764331	251.79
M4T1-UP; PRF1-UP							
2898041			P-UB-10	110 mm	160 mm	CTC-2254625	431.63
MPL1-UP; PRF1-UP; WRK1-UP							
3154442			P-UB-10	105 mm	150 mm	CTC-1915619	259.52
3154442			P-UB-10	105 mm	150 mm	CTC-3764331	251.79
3154449			P-UB-10	105 mm	150 mm	CTC-3764332	251.79
3154463			P-UB-10	110 mm	160 mm	CTC-2254625	431.63
3154471			P-UB-10	110 mm	160 mm	CTC-1948235	378.61
MPL1-UP; WRK1-UP							
3154463			P-UB-10	110 mm	160 mm	CTC-3338750	276.07
PRF1-UP							
2668083			P-UB-10	110 mm	160 mm	CTC-2590751	368.31
PRF1-UP; WRK1-UP							
3154450			P-UB-10	105 mm	150 mm	CTC-2590743	200.34
3154455			P-UB-10	105 mm	150 mm	CTC-2502475	217.70
3154472			P-UB-10	110 mm	160 mm	CTC-2590751	368.31
3154473			P-UB-10	110 mm	160 mm	CTC-2254625	431.63
3154474			P-UB-10	110 mm	160 mm	CTC-1948235	378.61
COUPLER							
DTS1-UP; JBF1-UP; KDJ1-UP; LMG1-UP; M4T1-UP; PPN1-UP; WET1-UP							
1690753			P-U-5	40 mm	70 mm	CTC-2191322	55.25
J2F1-UP; W3K1-UP							
3270338			I-U-10	75 mm	100 mm	CTC-3265051	106.55
PRF1-UP; W3K1-UP; WRK1-UP							
2948011			P-U-10,12	2	3-1/2	CTC-3460643	70.28
STICK							
DTS1-UP; JBF1-UP; JWR1-UP; KDJ1-UP; LMG1-UP; PPN1-UP; PTB1-UP; WET1-UP; WRK1-UP							
2898031			P-UB-10	115 mm	170 mm	CTC-3198295	370.16
J2F1-UP; M4T1-UP; MDS1-UP; PRF1-UP; W3K1-UP; ZML1-UP							
2898031			P-UB-10	115 mm	170 mm	CTC-2316844	508.33
J2F1-UP; MDS1-UP; W3K1-UP; ZML1-UP							
3751722			P-UB-10	115 mm	170 mm	CTC-3751733	403.29
MPL1-UP; PRF1-UP; WRK1-UP							
2836188			P-UB-10	115 mm	170 mm	CTC-2316844	508.33
2836194			P-UB-10	115 mm	170 mm	CTC-2316845	518.98

REPLACEMENT KITS FOR CATERPILLAR® EQUIPMENT

Excavators							
APPLICATION	CYL #	Misc-Parts, Instructions, etc.	CODE	ROD	BORE	KIT #	List \$
MODEL 336D L							
STICK							
PRF1-UP; WRK1-UP							
2836188			P-UB-10	115 mm	170 mm	CTC-3198295	370.16
2836194			P-UB-10	115 mm	170 mm	CTC-3764333	370.16
2836195			P-UB-10	115 mm	170 mm	CTC-2590768	517.15
2898053			P-UB-10	115 mm	170 mm	CTC-2316845	518.98
MODEL 336D LN							
BOOM							
MYG1-UP; MYP1-UP							
3119526			P-UB-10	105 mm	150 mm	CTC-2426840	280.78
STICK							
MYG1-UP							
2898031			P-UB-10	115 mm	170 mm	CTC-3198295	370.16
MODEL 336E H							
BOOM							
HDW1-UP							
3585972			P-UB-10	105 mm	150 mm	CTC-3249485	300.77
BUCKET							
HDW1-UP							
3260415			P-UB-10	105 mm	150 mm	CTC-3249485	300.77
3579766			P-UB-10	105 mm	150 mm	CTC-3249485	300.77
STICK							
HDW1-UP							
3751722			P-UB-10	115 mm	170 mm	CTC-3751733	403.29
MODEL 336E L							
BOOM							
BMH1-UP; BZY1-UP; CMR1-UP; DPX1-UP; FJH1-UP; GTJ1-UP; JRJ1-UP; KED1-UP; TEG1-UP; YCE1-UP; YEP1-UP							
3585972			P-UB-10	105 mm	150 mm	CTC-3249485	300.77
BZY1-UP; YEP1-UP							
3198275			P-UB-10	105 mm	150 mm	CTC-3249485	300.77
BUCKET							
BMH1-UP; BZY1-UP; CMR1-UP; DPX1-UP; FJH1-UP; GTJ1-UP; JRJ1-UP; KED1-UP; TEG1-UP; YCE1-UP; YEP1-UP							
3260415			P-UB-10	105 mm	150 mm	CTC-3249485	300.77
BMH1-UP; BZY1-UP; CMR1-UP; DPX1-UP; GTJ1-UP; KED1-UP; TEG1-UP; YEP1-UP							
3579766			P-UB-10	105 mm	150 mm	CTC-3249485	300.77
BZY1-UP; CMR1-UP; FJH1-UP; GTJ1-UP; JRJ1-UP; KED1-UP; TEG1-UP; YCE1-UP; YEP1-UP							
3579784			P-UB-10	110 mm	160 mm	CTC-3338750	276.07
BZY1-UP; YEP1-UP							
3198277			P-UB-10	105 mm	150 mm	CTC-3249485	300.77
3278185			P-UB-10	110 mm	160 mm	CTC-3338750	276.07
FJH1-UP; JRJ1-UP; YCE1-UP							
3579766			P-UB-10	105 mm	150 mm	CTC-3764331	251.79
COUPLER							
BZY1-UP; CMR1-UP; FJH1-UP; GTJ1-UP; JRJ1-UP; KED1-UP; TEG1-UP; YEP1-UP							
2948011			P-U-10,12	2	3-1/2	CTC-3460643	70.28
YCE1-UP							
1690753			P-U-5	40 mm	70 mm	CTC-2191322	55.25
STICK							
BMH1-UP; BZY1-UP; CMR1-UP; DPX1-UP; FJH1-UP; GTJ1-UP; JRJ1-UP; KED1-UP; TEG1-UP; YCE1-UP; YEP1-UP							
3751722			P-UB-10	115 mm	170 mm	CTC-3751733	403.29
BZY1-UP; CMR1-UP; GTJ1-UP; KED1-UP; TEG1-UP; YCE1-UP; YEP1-UP							
3574703			P-UB-10	115 mm	170 mm	CTC-3198295	370.16
BZY1-UP; YEP1-UP							
3198276			P-UB-10	115 mm	170 mm	CTC-3198295	370.16

CATERPILLAR®

REPLACEMENT KITS FOR CATERPILLAR® EQUIPMENT

Excavators							
APPLICATION	CYL #	Misc-Parts, Instructions, etc.	CODE	ROD	BORE	KIT #	List \$
MODEL 336E LH							
BOOM							
GNY1-UP; JEA1-UP; RZA1-UP							
	3585972		P-UB-10	105 mm	150 mm	CTC-3249485	300.77
BUCKET							
GNY1-UP; JEA1-UP; RZA1-UP							
	3260415		P-UB-10	105 mm	150 mm	CTC-3249485	300.77
	3579766		P-UB-10	105 mm	150 mm	CTC-3249485	300.77
COUPLER							
RZA1-UP							
	2948011		P-U-10,12	2	3-1/2	CTC-3460643	70.28
STICK							
GNY1-UP; JEA1-UP; RZA1-UP							
	3751722		P-UB-10	115 mm	170 mm	CTC-3751733	403.29
RZA1-UP							
	3574703		P-UB-10	115 mm	170 mm	CTC-3198295	370.16
MODEL 336E LN							
BOOM							
TMZ1-UP							
	3585972		P-UB-10	105 mm	150 mm	CTC-3249485	300.77
BUCKET							
TMZ1-UP							
	3260415		P-UB-10	105 mm	150 mm	CTC-3249485	300.77
	3579766		P-UB-10	105 mm	150 mm	CTC-3764331	251.79
	3579784		P-UB-10	110 mm	160 mm	CTC-3338750	276.07
COUPLER							
TMZ1-UP							
	1690753		P-U-5	40 mm	70 mm	CTC-2191322	55.25
STICK							
TMZ1-UP							
	3574703		P-UB-10	115 mm	170 mm	CTC-3198295	370.16
	3751722		P-UB-10	115 mm	170 mm	CTC-3751733	403.29
MODEL 336E LNH							
BOOM							
SSL1-UP							
	3585972		P-UB-10	105 mm	150 mm	CTC-3249485	300.77
BUCKET							
SSL1-UP							
	3260415		P-UB-10	105 mm	150 mm	CTC-3249485	300.77
	3579766		P-UB-10	105 mm	150 mm	CTC-3249485	300.77
STICK							
SSL1-UP							
	3751722		P-UB-10	115 mm	170 mm	CTC-3751733	403.29
MODEL 336F L							
BOOM							
RKB1-UP; SSN1-UP; TZA1-UP							
	3585972		P-UB-10	105 mm	150 mm	CTC-3249485	300.77
	3585972		Bushing	105 mm		CTC-1140760	84.03
BUCKET							
RKB1-UP; SSN1-UP							
	3260415		P-UB-10	105 mm	150 mm	CTC-3249485	300.77
	3260415		Bushing	105 mm		CTC-1140760	84.03
RKB1-UP; SSN1-UP; TZA1-UP							
	3579766		P-UB-10	105 mm	150 mm	CTC-3764331	251.79
	3579766		Bushing	105 mm		CTC-1140760	84.03
	3579784		P-UB-10	110 mm	160 mm	CTC-3338750	276.07
	3579784		Bushing	110 mm		CTC-1140762	125.08

REPLACEMENT KITS FOR CATERPILLAR® EQUIPMENT

Excavators							
APPLICATION	CYL #	Misc-Parts, Instructions, etc.	CODE	ROD	BORE	KIT #	List \$
MODEL 336F L							
COUPLER							
RKB1-UP; TZA1-UP							
2948011			P-U-10,12	2	3-1/2	CTC-3460643	70.28
STICK							
RKB1-UP; SSN1-UP; TZA1-UP							
3751722			P-UB-10	115 mm	170 mm	CTC-3751733	403.29
3751722			Bushing	115 mm		CTC-1915644	119.24
TRACK ADJUSTER							
RKB1-UP; SSN1-UP; TZA1-UP							
2979151			TRK ADJ			CTC-SK100116	217.39
MODEL 345B, 345BL							
BOOM							
1297829			P-UB-10	110 mm	160 mm	CTC-1680760	537.21
1553737			P-UB-10	110 mm	160 mm	CTC-1680760	537.21
BUCKET							
1183935			P-UB-10	110 mm	160 mm	CTC-1680760	537.21
1184134			P-UB-10	85 mm	120 mm	CTC-1184131	399.75
1232044			P-UB-10	90 mm	130 mm	CTC-1184175	472.39
1297835			P-UB-10	110 mm	170 mm	CTC-1680759	641.06
COUNTERWEIGHT							
1231078			P-UB-10	3	4-3/4	CTC-1570288	261.25
MATERIAL HANDLER							
1504125			P-UB-10	110 mm	170 mm	CTC-1680759	641.06
STEERING							
1151371			P-UB-10	2-1/4	4	CTC-1546526	228.66
STICK							
1163638			P-UB-10	110 mm	170 mm	CTC-1680759	641.06
1297832			P-UB-10	130 mm	190 mm	CTC-1261979	470.85
MODEL 345C							
BOOM							
BWY1-UP; ELS1-UP; GCL1-UP; TAJ1-UP; TBA1-UP; WDE1-UP							
2254523			P-UB-10	110 mm	160 mm	CTC-2254625	431.63
2254523			Bushing	110 mm		CTC-1140762	125.08
BWY1-UP; TBA1-UP; WDE1-UP							
2668087			P-UB-10	110 mm	160 mm	CTC-2742460	423.15
2668087			Bushing	110 mm		CTC-1140762	125.08
BUCKET							
BWY1-UP; ELS1-UP; GCL1-UP; TAJ1-UP; TBA1-UP; WDE1-UP							
2254529			P-UB-10	110 mm	160 mm	CTC-2254625	431.63
2254529			Bushing	110 mm		CTC-1140762	125.08
2254532			P-UB-10	110 mm	170 mm	CTC-2344442	382.11
2254532			Bushing	110 mm		CTC-1140761	133.61
BWY1-UP; TBA1-UP; WDE1-UP							
2742456			P-UB-10	110 mm	160 mm	CTC-2742460	423.15
2742456			Bushing	110 mm		CTC-1140762	125.08
2742459			P-UB-10	110 mm	170 mm	CTC-2742462	430.83
2742459			Bushing	110 mm		CTC-1140761	133.61
COUNTERWEIGHT							
BWY1-UP; TAJ1-UP; TBA1-UP; WDE1-UP							
2369769			P-UB-10	3	4-3/4	CTC-2369769K	160.61
STICK							
BWY1-UP; ELS1-UP; GCL1-UP; TAJ1-UP; TBA1-UP; WDE1-UP							
2254526			P-UB-10	130 mm	190 mm	CTC-2254646	514.54
2254526			Bushing	130 mm		CTC-1140763	127.63

REPLACEMENT KITS FOR CATERPILLAR® EQUIPMENT

Excavators							
APPLICATION	CYL #	Misc-Parts, Instructions, etc.	CODE	ROD	BORE	KIT #	List \$
MODEL 345C							
STICK							
BWY1-UP; TAJ1-UP; TBA1-UP; WDE1-UP							
2426839			P-UB-10	130 mm	190 mm	CTC-2254646	514.54
2426839			Bushing	130 mm		CTC-1140763	127.63
BWY1-UP; TBA1-UP; WDE1-UP							
2742453			P-UB-10	130 mm	190 mm	CTC-2742461	697.13
2742453			Bushing	130 mm		CTC-1140763	127.63
MODEL 345C L							
BOOM							
BWY1-UP; DHP1-UP; ELS1-UP; ESD1-UP; FPC1-UP; GCL1-UP; GJR1-UP; GPH1-UP; LYS1-UP; PJW1-UP; S5M1-UP; TBA1-UP; TDG1-UP; WDE1-UP							
2254523			P-UB-10	110 mm	160 mm	CTC-2254625	431.63
2254523			Bushing	110 mm		CTC-1140762	125.08
BWY1-UP; DHP1-UP; GJR1-UP; TBA1-UP; WDE1-UP							
2668087			P-UB-10	110 mm	160 mm	CTC-2742460	423.15
2668087			Bushing	110 mm		CTC-1140762	125.08
BUCKET							
BWY1-UP; DHP1-UP; ELS1-UP; ESD1-UP; ESD1-UP; FPC1-UP; GCL1-UP; GJR1-UP; GPH1-UP; LYS1-UP; PJW1-UP; PJW1-UP; S5M1-UP; TBA1-UP; TDG1-UP; TDG1-UP; WDE1-UP							
2254529			P-UB-10	110 mm	160 mm	CTC-2254625	431.63
2254529			Bushing	110 mm		CTC-1140762	125.08
BWY1-UP; DHP1-UP; ELS1-UP; ESD1-UP; GCL1-UP; GJR1-UP; GPH1-UP; LYS1-UP; PJW1-UP; S5M1-UP; TBA1-UP; TDG1-UP; WDE1-UP							
2254532			P-UB-10	110 mm	170 mm	CTC-2344442	382.11
2254532			Bushing	110 mm		CTC-1140761	133.61
BWY1-UP; DHP1-UP; GJR1-UP; TBA1-UP; WDE1-UP							
2742456			P-UB-10	110 mm	160 mm	CTC-2742460	423.15
2742456			Bushing	110 mm		CTC-1140762	125.08
2742459			P-UB-10	110 mm	170 mm	CTC-2742462	430.83
2742459			Bushing	110 mm		CTC-1140761	133.61
COUNTERWEIGHT							
BWY1-UP; DHP1-UP; ESD1-UP; FPC1-UP; GJR1-UP; PJW1-UP; TBA1-UP; TDG1-UP; WDE1-UP							
2369769			P-UB-10	3	4-3/4	CTC-2369769K	160.61
STICK							
BWY1-UP; DHP1-UP; ELS1-UP; ESD1-UP; FPC1-UP; GCL1-UP; GJR1-UP; GPH1-UP; LYS1-UP; PJW1-UP; S5M1-UP; TBA1-UP; TDG1-UP; WDE1-UP							
2254526			P-UB-10	130 mm	190 mm	CTC-2254646	514.54
2254526			Bushing	130 mm		CTC-1140763	127.63
BWY1-UP; DHP1-UP; ESD1-UP; GJR1-UP; PJW1-UP; S5M1-UP; TBA1-UP; TDG1-UP; WDE1-UP							
2426839			P-UB-10	130 mm	190 mm	CTC-2254646	514.54
2426839			Bushing	130 mm		CTC-1140763	127.63
BWY1-UP; DHP1-UP; GJR1-UP; TBA1-UP; WDE1-UP							
2742453			P-UB-10	130 mm	190 mm	CTC-2742461	697.13
2742453			Bushing	130 mm		CTC-1140763	127.63
MODEL 345D L							
BOOM							
BYC1-UP; EEH1-UP; GYR1-UP; JKN1-UP; KFH1-UP; LKY1-UP; MLK1-UP; NLM1-UP; PBT1-UP; RAE1-UP; RAJ1-UP; RGD1-UP; RGG1-UP; YEE1-UP							
2254523			P-UB-10	110 mm	160 mm	CTC-3764336	288.56
BYC1-UP; JKN1-UP; PBT1-UP; RAE1-UP							
2668087			P-UB-10	110 mm	160 mm	CTC-2742460	423.15
BUCKET							
BYC1-UP; EEH1-UP; GYR1-UP; JKN1-UP; KFH1-UP; LKY1-UP; MLK1-UP; NLM1-UP; RAE1-UP; PBT1-UP; RAJ1-UP; RGD1-UP; RGG1-UP; YEE1-UP							
2254532			P-UB-10	110 mm	170 mm	CTC-3338675	356.18
BYC1-UP; EEH1-UP; GYR1-UP; JKN1-UP; KFH1-UP; LKY1-UP; NLM1-UP; MLK1-UP; PBT1-UP; RAE1-UP; RAJ1-UP; RGG1-UP; YEE1-UP							
2937678			P-UB-10	110 mm	160 mm	CTC-2254625	431.63

REPLACEMENT KITS FOR CATERPILLAR® EQUIPMENT

Excavators							
APPLICATION	CYL #	Misc-Parts, Instructions, etc.	CODE	ROD	BORE	KIT #	List \$
MODEL 345D L							
BUCKET							
BYC1-UP; GYR1-UP; KFH1-UP; LKY1-UP; NLM1-UP; RGD1-UP; RGG1-UP							
2254529			P-UB-10	110 mm	160 mm	CTC-3338750	276.07
BYC1-UP; JKN1-UP; PBT1-UP; RAE1-UP							
2742456			P-UB-10	110 mm	160 mm	CTC-2742460	423.15
2742459			P-UB-10	110 mm	170 mm	CTC-2742462	430.83
EEH1-UP; JKN1-UP; MLK1-UP; PBT1-UP; RAE1-UP; RAJ1-UP; YEE1-UP							
2254529			P-UB-10	110 mm	160 mm	CTC-2254625	431.63
EEH1-UP; RAJ1-UP; YEE1-UP							
3675217			P-UB-10	110 mm	160 mm	CTC-3338750	276.07
COUNTERWEIGHT							
BYC1-UP; EEH1-UP; JKN1-UP; PBT1-UP; RAE1-UP; RAJ1-UP; YEE1-UP							
2369769			P-UB-10	3	4-3/4	CTC-2369769K	160.61
COUPLER							
EEH1-UP; JKN1-UP; RAJ1-UP; YEE1-UP							
3030703	Quick Coupler		P-U-10,12	3-1/4	5-1/2	CTC-3460644	156.58
EEH1-UP; MLK1-UP; RAJ1-UP; YEE1-UP							
1690753	Lock		P-U-5	40 mm	70 mm	CTC-2191322	55.25
EEH1-UP; RAJ1-UP; YEE1-UP							
2692106			I-U-14	50 mm	100 mm	CTC-2525507	254.75
3242645			I-U-10	50 mm	100 mm	CTC-3265946	111.41
STICK							
BYC1-UP; GYR1-UP; JKN1-UP; KFH1-UP; LKY1-UP; MLK1-UP; NLM1-UP; PBT1-UP; RAE1-UP; RGD1-UP; RGG1-UP; YEE1-UP							
2254526			P-UB-10	130 mm	190 mm	CTC-3319328	528.43
BYC1-UP; JKN1-UP; PBT1-UP; RAE1-UP							
2742453			P-UB-10	130 mm	190 mm	CTC-2742461	697.13
EEH1-UP; RAJ1-UP							
2254526			P-UB-10	130 mm	190 mm	CTC-2254646	514.54
MODEL 349E							
BOOM							
FJB1-UP; RGH1-UP							
3588439			P-UB-10	115 mm	170 mm	CTC-3198295	370.16
3588439			Bushing	115 mm		CTC-1915644	119.24
BUCKET							
FJB1-UP; RGH1-UP							
3579784			P-UB-10	110 mm	160 mm	CTC-3338750	276.07
3579784			Bushing	110 mm		CTC-1140762	125.08
3588482			P-UB-10	110 mm	160 mm	CTC-3338750	276.07
3588482			Bushing	110 mm		CTC-1140762	125.08
3588503			P-UB-10	110 mm	170 mm	CTC-3338675	356.18
3588503			Bushing	110 mm		CTC-1140761	133.61
STICK							
FJB1-UP; RGH1-UP							
3588461			P-UB-10	130 mm	190 mm	CTC-3319328	528.43
3588461			Bushing	130 mm		CTC-1140763	127.63
3706692			P-UB-10	130 mm	190 mm	CTC-3799497	400.01
3706692			Bushing	130 mm		CTC-1140763	127.63
TRACK ADJUSTER							
FJB1-UP; RGH1-UP							
2979250			TRK ADJ			CTC-SK100117	138.77
MODEL 349E L							
BOOM							
ETC1-UP; MPZ1-UP; MZW1-UP; SPG1-UP; TFG1-UP; WHZ1-UP							
3588439			P-UB-10	115 mm	170 mm	CTC-3198295	370.16
3588439			Bushing	115 mm		CTC-1915644	119.24

REPLACEMENT KITS FOR CATERPILLAR® EQUIPMENT

Excavators							
APPLICATION	CYL #	Misc-Parts, Instructions, etc.	CODE	ROD	BORE	KIT #	List \$
MODEL 349E L							
BOOM							
MPZ1-UP; MZW1-UP; TFG1-UP							
4195749			P-UB-10	115 mm	170 mm	CTC-3751733	403.29
4195749			Bushing	115 mm		CTC-1915644	119.24
BUCKET							
ETC1-UP; MPZ1-UP; MZW1-UP; SPG1-UP; TFG1-UP; WHZ1-UP							
3588482			P-UB-10	110 mm	160 mm	CTC-3338750	276.07
3588482			Bushing	110 mm		CTC-1140762	125.08
3588503			P-UB-10	110 mm	170 mm	CTC-3338675	356.18
3588503			Bushing	110 mm		CTC-1140761	133.61
ETC1-UP; MPZ1-UP; MZW1-UP; TFG1-UP							
3675217			P-UB-10	110 mm	160 mm	CTC-3338750	276.07
3675217			Bushing	110 mm		CTC-1140762	125.08
ETC1-UP; MPZ1-UP; SPG1-UP; TFG1-UP; WHZ1-UP							
3579784			P-UB-10	110 mm	160 mm	CTC-3338750	276.07
3579784			Bushing	110 mm		CTC-1140762	125.08
MPZ1-UP; MZW1-UP; TFG1-UP							
2937678			P-UB-10	110 mm	160 mm	CTC-2254625	431.63
2937678			Bushing	110 mm		CTC-1140762	125.08
COUNTERWEIGHT							
MPZ1-UP							
2369769			P-UB-10	3	4-3/4	CTC-3193565	158.76
COUPLER							
MPZ1-UP; TFG1-UP							
1690753			P-U-5	40 mm	70 mm	CTC-2191322	55.25
STICK							
ETC1-UP; MPZ1-UP; MZW1-UP; SPG1-UP; TFG1-UP; WHZ1-UP							
3706692			P-UB-10	130 mm	190 mm	CTC-3799497	400.01
3706692			Bushing	130 mm		CTC-1140763	127.63
MPZ1-UP; SPG1-UP; TFG1-UP; WHZ1-UP							
3588461			P-UB-10	130 mm	190 mm	CTC-3319328	528.43
3588461			Bushing	130 mm		CTC-1140763	127.63
TRACK ADJUSTER							
ETC1-UP; MPZ1-UP; MZW1-UP; SPG1-UP; TFG1-UP; WHZ1-UP							
2979250			TRK ADJ			CTC-SK100117	138.77
MODEL 349E L VG							
BOOM							
DGE1-UP; FEJ1-UP; KCN1-UP; KFX1-UP							
3588439			P-UB-10	115 mm	170 mm	CTC-3198295	370.16
3588439			Bushing	115 mm		CTC-1915644	119.24
DGE1-UP; KCN1-UP; KFX1-UP							
4195749			P-UB-10	115 mm	170 mm	CTC-3751733	403.29
4195749			Bushing	115 mm		CTC-1915644	119.24
BUCKET							
DGE1-UP; FEJ1-UP; KCN1-UP							
3579784			P-UB-10	110 mm	160 mm	CTC-3338750	276.07
3579784			Bushing	110 mm		CTC-1140762	125.08
DGE1-UP; FEJ1-UP; KCN1-UP; KFX1-UP							
3588482			P-UB-10	110 mm	160 mm	CTC-3338750	276.07
3588482			Bushing	110 mm		CTC-1140762	125.08
3588503			P-UB-10	110 mm	170 mm	CTC-3338675	356.18
3588503			Bushing	110 mm		CTC-1140761	133.61
3675217			P-UB-10	110 mm	160 mm	CTC-3338750	276.07
3675217			Bushing	110 mm		CTC-1140762	125.08

REPLACEMENT KITS FOR CATERPILLAR® EQUIPMENT

Excavators							
APPLICATION	CYL #	Misc-Parts, Instructions, etc.	CODE	ROD	BORE	KIT #	List \$
MODEL 349E L VG							
BUCKET							
DGE1-UP; KCN1-UP; KFX1-UP							
2937678			P-UB-10	110 mm	160 mm	CTC-2254625	431.63
2937678			Bushing	110 mm		CTC-1140762	125.08
COUNTERWEIGHT							
DGE1-UP							
2369769			P-UB-10	3	4-3/4	CTC-3193565	158.76
COUPLER							
DGE1-UP; KCN1-UP							
1690753			P-U-5	40 mm	70 mm	CTC-2191322	55.25
STICK							
DGE1-UP; FEJ1-UP; KCN1-UP; KFX1-UP							
3706692			P-UB-10	130 mm	190 mm	CTC-3799497	400.01
3706692			Bushing	130 mm		CTC-1140763	127.63
DGE1-UP; KCN1-UP; KFX1-UP							
3588461			P-UB-10	130 mm	190 mm	CTC-3319328	528.43
3588461			Bushing	130 mm		CTC-1140763	127.63
TRACK ADJUSTER							
DGE1-UP; FEJ1-UP; KCN1-UP; KFX1-UP							
2979250			TRK ADJ			CTC-SK100117	138.77
MODEL 349F L							
BOOM							
BZ21-UP; HPD1-UP							
4195749			P-UB-10	115 mm	170 mm	CTC-3751733	403.29
4195749			Bushing	115 mm		CTC-1915644	119.24
KEA1-UP							
3588439			P-UB-10	115 mm	170 mm	CTC-3198295	370.16
3588439			Bushing	115 mm		CTC-1915644	119.24
BUCKET							
BZ21-UP; HPD1-UP; KEA1-UP							
3579784			P-UB-10	110 mm	160 mm	CTC-3338750	276.07
3579784			Bushing	110 mm		CTC-1140762	125.08
3588503			P-UB-10	110 mm	170 mm	CTC-3338675	356.18
3588503			Bushing	110 mm		CTC-1140761	133.61
3675217			P-UB-10	110 mm	160 mm	CTC-3338750	276.07
3675217			Bushing	110 mm		CTC-1140762	125.08
COUNTERWEIGHT							
BZ21-UP; HPD1-UP; KEA1-UP							
2369769			P-UB-10	3	4-3/4	CTC-3193565	158.76
STICK							
BZ21-UP; HPD1-UP; KEA1-UP							
3706692			P-UB-10	130 mm	190 mm	CTC-3799497	400.01
3706692			Bushing	130 mm		CTC-1140763	127.63
TRACK ADJUSTER							
BZ21-UP; HPD1-UP; KEA1-UP							
2979250			TRK ADJ			CTC-SK100117	138.77
MODEL 350							
BUCKET							
1578989			P-UB-10	110 mm	160 mm	CTC-1560656	425.65
411726			P-UB-10	110 mm	160 mm	CTC-1560656	425.65
413792			P-UB-10	130 mm	180 mm	CTC-1560625	673.86
STICK							
0875375			P-UB-10	130 mm	180 mm	CTC-1560625	673.86
1560674			P-UB-10	130 mm	180 mm	CTC-1560625	673.86

REPLACEMENT KITS FOR CATERPILLAR® EQUIPMENT

Excavators							
APPLICATION	CYL #	Misc-Parts, Instructions, etc.	CODE	ROD	BORE	KIT #	List \$
MODEL 350, 350L							
BOOM							
	411515		P-UB-10	110 mm	170 mm	CTC-1163649	455.70
	411515		P-UB-10	110 mm	170 mm	CTC-1680759	641.06
BUCKET							
	411726		P-UB-10	110 mm	160 mm	CTC-0876654	510.63
	413792		P-UB-10	130 mm	180 mm	CTC-0875407	636.93
	7Y5100		P-UB-10	85 mm	130 mm	CTC-7Y5145	427.56
LIFT							
	6E3529		P-UB-10	2-1/2	4	CTC-710968	231.33
STICK							
	0875375		P-UB-10	130 mm	180 mm	CTC-0875407	636.93
MODEL 365, 365B							
BUCKET							
	1438004		P-UB-10	130 mm	180 mm	CTC-1709830	626.82
	1438007		P-UB-10	140 mm	200 mm	CTC-1709829	507.28
COUNTERWEIGHT							
	1505913		P-UB-10	90 mm	130 mm	CTC-1184175	472.39
STICK							
	1438001		P-UB-10	140 mm	200 mm	CTC-1709829	507.28
	1589114		P-UB-10	140 mm	200 mm	CTC-1709829	507.28
MODEL 365C L							
BOOM							
	MCY1-UP						
	2042823		P-UB-10	130 mm	190 mm	CTC-2254646	514.54
	2332975		P-UB-10	140 mm	200 mm	CTC-2159995	606.77
BUCKET							
	MCY1-UP						
	1438004		P-UB-10	130 mm	180 mm	CTC-4195876	294.99
	1438007		P-UB-10	140 mm	200 mm	CTC-3701940	615.08
	2201532		P-UB-10	100 mm	140 mm	CTC-2159985	196.01
COUNTERWEIGHT							
	MCY1-UP						
	1505913		P-UB-10	90 mm	130 mm	CTC-2159986	200.07
STICK							
	MCY1-UP						
	1799794		P-UB-10	140 mm	200 mm	CTC-2159995	606.77
	2590871		P-UB-10	150 mm	220 mm	CTC-2160000	1074.67
	3153375	Type 1, Piston 2159972, Head 1733366	P-UB-10	150 mm	220 mm	CTC-2160000	1074.67
	3153375	Type 2, Piston 4335664, Head 3653598	P-UB-10	150 mm	220 mm	CTC-3701866	690.99
	3178432		P-UB-10	140 mm	200 mm	CTC-3701940	615.08
	3264403		P-UB-10	140 mm	200 mm	CTC-2159995	606.77
TRACK ADJUSTER							
	MCY1-439						
	1686743		TRK ADJ			CTC-SK100109	151.66
	MCY1-462						
	1362430		TRK ADJ			CTC-SK100109	151.66
	MCY1-UP						
	2979153		TRK ADJ			CTC-SK100109	151.66
	2979154		TRK ADJ			CTC-SK100109	151.66
UNDERCARRIAGE							
	MCY1-UP						
	1234121		P-UB-10	2	4	CTC-2409538	110.44

REPLACEMENT KITS FOR CATERPILLAR® EQUIPMENT

Excavators							
APPLICATION	CYL #	Misc-Parts, Instructions, etc.	CODE	ROD	BORE	KIT #	List \$
MODEL 365C L MH							
BOOM							
GWC1-UP							
2042823			P-UB-10	130 mm	190 mm	CTC-2254646	514.54
2042823			Bushing	130 mm		CTC-1140763	127.63
2332975			P-UB-10	140 mm	200 mm	CTC-2159995	606.77
2332975			Bushing	140 mm		CTC-1289261	164.93
STICK							
GWC1-UP							
2632504			P-UB-10	130 mm	190 mm	CTC-3319328	528.43
2632504			Bushing	130 mm		CTC-1140763	127.63
TRACK ADJUSTER							
GWC1-UP							
1362430			TRK ADJ			CTC-SK100109	151.66
2979153			TRK ADJ			CTC-SK100109	151.66
MODEL 374F L							
BOOM							
AP41-UP; AT21-UP; DNM1-UP; EBF1-UP; MFL1-UP; NFJ1-UP							
3807401			P-UB-10	130 mm	190 mm	CTC-5185140	644.07
3807401			Bushing	130 mm		CTC-1140763	127.63
EBF1-UP; MFL1-UP; NFJ1-UP; XWL1-UP							
5701992			P-UB-10	130 mm	190 mm	CTC-5185140	644.07
5701992			Bushing	130 mm		CTC-1140763	127.63
BUCKET							
AP41-UP; AT21-UP; DNM1-UP; EBF1-20160; MFL1-20073; NFJ1-20091							
4176665			P-UB-10	140 mm	200 mm	CTC-3701940	615.08
4176665			Bushing	140 mm		CTC-1289261	164.93
AP41-UP; AT21-UP; DNM1-UP; EBF1-UP; MFL10001-UP; NFJ1-UP; XWL1-UP							
3636260			P-UB-10	130 mm	190 mm	CTC-5185134	472.32
3636260			Bushing	130 mm		CTC-1140763	127.63
AP41-UP; AT21-UP; DNM1-UP; EBF1-UP; MFL1-UP; NFJ1-UP; XWL1-UP							
3622784			P-UB-10	130 mm	190 mm	CTC-5185134	472.32
3622784			Bushing	130 mm		CTC-1140763	127.63
AP41-UP; AT21-UP; DNM1-UP; EBF20161-UP; MFL20074-UP; NFJ20092-UP; XWL1-UP							
5701986			P-UB-10	140 mm	200 mm	CTC-3701940	615.08
5701986			Bushing	140 mm		CTC-1289261	164.93
DNM10001-UP; EBF1-UP; MFL10001-UP; NFJ10001-UP; XWL1-UP							
4933132			P-UB-10	140 mm	200 mm	CTC-3701940	615.08
4933132			Bushing	140 mm		CTC-1289261	164.93
COUNTERWEIGHT							
AP41-UP; AT21-UP; DNM1-UP; EBF1-UP; MFL1-UP; NFJ1-UP; XWL1-UP							
1505913			P-UB-10	90 mm	130 mm	CTC-2159986	200.07
1505913			Bushing	90 mm		CTC-1140758	63.28
STICK							
AP41-UP; AT21-UP; DNM1-UP; EBF1-UP; MFL1-UP; NFJ1-UP; XWL1-UP							
3628488			P-UB-10	145 mm	210 mm	CTC-3701871	1005.90
3628488			Bushing	140 mm		CTC-1559100	168.07
TRACK ADJUSTER							
AP41-UP; AT21-UP; DNM1-UP; EBF1-UP; MFL1-UP; NFJ1-UP; XWL1-UP							
2979153			TRK ADJ			CTC-SK100109	151.66
MODEL 375							
BOOM							
6E0018			P-UB-10	140 mm	200 mm	CTC-1560626	797.00
1JM1-172; 6NK1-; 6RL1-00048; 8WJ1-90; 8XG1-00216; 9WL1-							
6E0018			P-UB-10	140 mm	200 mm	CTC-2344666	555.58
1JM173-; 6RL00081-; 8WJ91-; 8XG00313-							
1140596			P-UB-10	140 mm	200 mm	CTC-1560626	797.00

REPLACEMENT KITS FOR CATERPILLAR® EQUIPMENT

Excavators							
APPLICATION	CYL #	Misc-Parts, Instructions, etc.	CODE	ROD	BORE	KIT #	List \$
MODEL 375							
BOOM							
6NK1-; 9WL1-							
1140596			P-UB-10	140 mm	200 mm	CTC-2003495	440.68
6RL00049-; 8XG00217-							
1140596			P-UB-10	140 mm	200 mm	CTC-2344666	555.58
BUCKET							
1578989							
411726			P-UB-10	110 mm	160 mm	CTC-1560656	425.65
411726							
			P-UB-10	110 mm	160 mm	CTC-1560656	425.65
1JM1-; 6LR00081-; 6NK1-; 6RL1-; 8WJ1-; 8XG00313-; 9WL1-							
6E0021			P-UB-10	140 mm	200 mm	CTC-1560626	797.00
1JM1-; 6LR81-; 6NK1-; 8WJ1-; 8XG00313-; 9WL1-							
1560694			P-UB-10	140 mm	200 mm	CTC-2003495	440.68
1JM1-; 6NK1-; 8WJ1-; 9WL1-							
6E0020			P-UB-10	150 mm	220 mm	CTC-1560627	933.35
1JM1-; 8WJ1-							
1560697			P-UB-10	150 mm	220 mm	CTC-1560627	933.35
6LR00081-; 8XG00313-							
1560697	TYPE 2		P-UB-10	150 mm	220 mm	CTC-2344667	1117.66
6E0020	TYPE 1		P-UB-10	150 mm	220 mm	CTC-1560627	933.35
6NK1-; 9WL1-							
1560697			P-UB-10	150 mm	220 mm	CTC-2344667	1117.66
6RL1-							
6E0020			P-UB-10	150 mm	220 mm	CTC-1163529	933.35
COUNTERWEIGHT							
1JM1-111; 6NK1-; 8WJ1-83; 9WL1-							
6E3529			P-UB-10	2-1/2	4	CTC-7I0968	231.33
LIFT							
6E3529							
			P-UB-10	2-1/2	4	CTC-7I0968	231.33
STICK							
1JM1-; 6NK1-; 6RL00081-; 8WJ1-; 8XG00313-; 9WL1-							
6E0019			P-UB-10	150 mm	220 mm	CTC-1560627	933.35
1JM1-; 6NK1-; 6RL81-; 8WJ1-; 8XG00313-; 9WL1-							
1560664			P-UB-10	150 mm	220 mm	CTC-1560627	933.35
6NK1-; 9WL1-							
1560679			P-UB-10	150 mm	220 mm	CTC-1560627	933.35
6RL00106-; 8XG00350-							
1560665			P-UB-10	150 mm	220 mm	CTC-2344667	1117.66
6RL1-							
6E0019			P-UB-10	150 mm	220 mm	CTC-1163529	933.35
TRACK ADJUSTER							
1JM1-; 6NK1-; 6RL1-; 8WJ1-; 8XG1-; 9WL1-							
7Y0858			TRK ADJ			CTC-7Y0858K	83.30
6NK1-110; 8XG1-00159							
7Y0859			TRK ADJ			CTC-7Y0859K	83.30
MODEL 375L							
BOOM							
1140596							
6E0018			P-UB-10	140 mm	200 mm	CTC-2344666	555.58
6E0018							
			P-UB-10	140 mm	200 mm	CTC-1560626	797.00
BUCKET							
411726							
6E0021			P-UB-10	110 mm	160 mm	CTC-0876654	510.63
6E0021							
			P-UB-10	140 mm	200 mm	CTC-2344666	555.58
LIFT							
6E3529							
			P-UB-10	2-1/2	4	CTC-7I0968	231.33
STICK							
6E0019							
			P-UB-10	150 mm	220 mm	CTC-5I8893	774.48

REPLACEMENT KITS FOR CATERPILLAR® EQUIPMENT

Excavators							
APPLICATION	CYL #	Misc-Parts, Instructions, etc.	CODE	ROD	BORE	KIT #	List \$
MODEL 385B							
BOOM							
ANS1-							
2044916			P-UB-10	145 mm	210 mm	CTC-2417619	712.02
ANS1-; BKF1-; BLY1-; CLS1-; FDL1-; MYA1-							
1559068			P-UB-10	145 mm	210 mm	CTC-2159999	560.37
FDL1-							
2332973			P-UB-10	150 mm	220 mm	CTC-2160000	1074.67
BUCKET							
ANS1-							
2044920			P-UB-10	140 mm	200 mm	CTC-2159995	606.77
2044922			P-UB-10	150 mm	220 mm	CTC-2522426	560.51
2159965			P-UB-10	150 mm	220 mm	CTC-2160000	1074.67
ANS1-; BKF1-; BLY1-; CLS1-; FDL1-; MYA1-							
1559074			P-UB-10	140 mm	200 mm	CTC-2159995	606.77
BKF1-; BLY1-; CLS1-; FDL1-; MYA1-							
1559077			P-UB-10	150 mm	220 mm	CTC-2160000	1074.67
FDL1-							
1183935			P-UB-10	110 mm	160 mm	CTC-2003572	374.24
1772465			P-UB-10	105 mm	150 mm	CTC-1915619	259.52
2201532			P-UB-10	100 mm	140 mm	CTC-2159985	196.01
2478853			P-UB-10	105 mm	150 mm	CTC-1915619	259.52
MYA1-							
1211518			P-UB-10	90 mm	160 mm	CTC-2526101	554.63
COUNTERWEIGHT							
ANS1-; BKF1-; BLY1-; CLS1-; FDL1-; MYA1-							
1559197			P-UB-10	105 mm	150 mm	CTC-1884219	259.52
STICK							
ANS1-							
2044918			P-UB-10	150 mm	220 mm	CTC-2089505	560.51
FDL1-							
1799794			P-UB-10	140 mm	200 mm	CTC-2159995	606.77
3178432			P-UB-10	140 mm	200 mm	CTC-2159995	606.77
3264403			P-UB-10	140 mm	200 mm	CTC-2159995	606.77
TRACK ADJUSTER							
ANS1-; BKF1-; BLY1-; CLS1-; FDL1-; MYA1-							
1686743			TRK ADJ			CTC-1686743K	151.66
CLS1-; FDL1-; MYA1-							
2979154			TRK ADJ			CTC-2979154K	151.66
UNDERCARRIAGE							
FDL1-							
1234121			P-UB-10	2	4	CTC-2409538	110.44
UNSPECIFIED APPLICATION							
ANS1-; BKF1-; BLY1-; CLS1-; FDL1-; MYA1-							
1559071			P-UB-10	150 mm	220 mm	CTC-2160000	1074.67
CLS1-; FDL1-; MYA1-							
2590871			P-UB-10	150 mm	220 mm	CTC-2160000	1074.67
MODEL 385B L							
BOOM							
BKF1-; BLY1-; CLS1-; FDL1-; RCD1-							
1559068			P-UB-10	145 mm	210 mm	CTC-2159999	560.37
FDL1-							
2332973			P-UB-10	150 mm	220 mm	CTC-2160000	1074.67
BUCKET							
BKF1-; BLY1-; CLS1-; FDL1-; RCD1-							
1559074			P-UB-10	140 mm	200 mm	CTC-2159995	606.77
1559077			P-UB-10	150 mm	220 mm	CTC-2160000	1074.67

REPLACEMENT KITS FOR CATERPILLAR® EQUIPMENT

Excavators							
APPLICATION	CYL #	Misc-Parts, Instructions, etc.	CODE	ROD	BORE	KIT #	List \$
MODEL 385B L							
BUCKET							
FDL1-							
	1183935		P-UB-10	110 mm	160 mm	CTC-2003572	374.24
	1772465		P-UB-10	105 mm	150 mm	CTC-1915619	259.52
	2201532		P-UB-10	100 mm	140 mm	CTC-2159985	196.01
	2478853		P-UB-10	105 mm	150 mm	CTC-1915619	259.52
RCD1-							
	2096037		P-UB-10	140 mm	200 mm	CTC-2159995	606.77
	2159965		P-UB-10	150 mm	220 mm	CTC-2160000	1074.67
COUNTERWEIGHT							
BKF1-; BLY1-; CLS1-; FDL1-; RCD1-							
	1559197		P-UB-10	105 mm	150 mm	CTC-1915619	259.52
STICK							
FDL1-							
	1799794		P-UB-10	140 mm	200 mm	CTC-2159995	606.77
	3178432		P-UB-10	140 mm	200 mm	CTC-2159995	606.77
	3264403		P-UB-10	140 mm	200 mm	CTC-2159995	606.77
TRACK ADJUSTER							
BKF1-; BLY1-; CLS1-; FDL1-; RCD152-							
	1686743		TRK ADJ			CTC-1686743K	151.66
CLS1-; FDL1-; RCD1-							
	2979154		TRK ADJ			CTC-2979154K	151.66
UNDERCARRIAGE							
FDL1-							
	1234121		P-UB-10	2	4	CTC-2409538	110.44
UNSPECIFIED APPLICATION							
BKF1-; BLY1-; CLS1-; FDL1-; RCD1-							
	1559071		P-UB-10	150 mm	220 mm	CTC-2160000	1074.67
CLS1-; FDL1-; RCD1-							
	2590871		P-UB-10	150 mm	220 mm	CTC-2160000	1074.67
MODEL 385C							
BOOM							
KBC1-; KGB1-; KKK1-; MNZ1-; MSF1-							
	1559068		P-UB-10	145 mm	210 mm	CTC-2159999	560.37
KGB1-; WAW1-							
	2332973		P-UB-10	150 mm	220 mm	CTC-2160000	1074.67
KGB352-							
	3539616		P-UB-10	145 mm	210 mm	CTC-2159999	560.37
BUCKET							
KBC1-; KGB1-; KKK1-; MNZ1-							
	1559074		P-UB-10	140 mm	200 mm	CTC-2159995	606.77
	1559077		P-UB-10	150 mm	220 mm	CTC-2160000	1074.67
	2096037		P-UB-10	140 mm	200 mm	CTC-2159995	606.77
	2159965		P-UB-10	150 mm	220 mm	CTC-2160000	1074.67
KGB1-							
	2201532		P-UB-10	100 mm	140 mm	CTC-2159985	196.01
	2254581		P-UB-10	105 mm	150 mm	CTC-1915619	259.52
	2478853		P-UB-10	105 mm	150 mm	CTC-1915619	259.52
	2898012		P-UB-10	105 mm	150 mm	CTC-1915619	259.52
	3154442		P-UB-10	105 mm	150 mm	CTC-1915619	259.52
KGB1-; MSF1-							
	3154451		P-UB-10	105 mm	150 mm	CTC-3764331	251.79
COUNTERWEIGHT							
KBC1-; KGB1-; KKK1-; MNZ1-; MSF1-							
	1559197		P-UB-10	105 mm	150 mm	CTC-1915619	259.52

REPLACEMENT KITS FOR CATERPILLAR® EQUIPMENT

Excavators							
APPLICATION	CYL #	Misc-Parts, Instructions, etc.	CODE	ROD	BORE	KIT #	List \$
MODEL 385C							
STICK							
KGB1-							
	1799794		P-UB-10	140 mm	200 mm	CTC-2159995	606.77
	3178432		P-UB-10	140 mm	200 mm	CTC-2159995	606.77
	3264403		P-UB-10	140 mm	200 mm	CTC-2159995	606.77
KGB1-;KKK1-							
	2898031		P-UB-10	115 mm	170 mm	CTC-3198295	370.16
KGB1-;KKK1-; MNZ1-; MSF1-							
	3153375	TYPE 1	P-UB-10	150 mm	220 mm	CTC-2160000	1074.67
	3153375	TYPE 2	P-UB-10	150 mm	220 mm	CTC-3701866	690.99
WAW1-							
	2632504		P-UB-10	130 mm	190 mm	CTC-3319328	528.43
STICK LH							
KGB1-;KKK1-							
	2344601		P-UB-10	115 mm	170 mm	CTC-2316844	508.33
	2836188		P-UB-10	115 mm	170 mm	CTC-3198295	370.16
STICK RH							
KGB1-;KKK1-							
	2876811		P-UB-10	115 mm	170 mm	CTC-2316844	508.33
	3071481		P-UB-10	115 mm	170 mm	CTC-3198295	370.16
TRACK ADJUSTER							
KBC1-; KGB1-; KKK208-; MNZ163-; MSF1-; WAW221-							
	2979154		TRK ADJ			CTC-2979154K	151.66
KBC1-; KGB1-407;KKK1-207; MNZ1-162; WAW1-220							
	1686743		TRK ADJ			CTC-1686743K	151.66
UNDERCARRIAGE							
KGB1-							
	1234121		P-UB-10	2	4	CTC-2409538	110.44
UNSPECIFIED APPLICATION							
KBC1-; KGB1-; KKK1-; MNZ1-							
	1559071		P-UB-10	150 mm	220 mm	CTC-2160000	1074.67
	2590871		P-UB-10	150 mm	220 mm	CTC-2160000	1074.67
MODEL 385C FS							
BOOM							
EAM1-; GLT1-; MMA1-; T2F1-							
	1850165		P-UB-10	130 mm	180 mm	CTC-2159996	457.60
BUCKET							
EAM1-; GLT1-; MMA1-; T2F1-							
	1057485		P-UB-10	5-3/4	7	CTC-1211605	524.28
	1211518		P-UB-10	90 mm	160 mm	CTC-2526101	554.63
EAM1-; MMA1-; T2F1-							
	3743206		P-UB-10	5-3/4	7	CTC-1211605	524.28
COUNTERWEIGHT							
GLT1-							
	1559197		P-UB-10	105 mm	150 mm	CTC-1915619	259.52
MASTER CYLINDER							
EAM1-; GLT1-; MMA1-; T2F1-							
	415693		P-UB-10	5	6	CTC-1211597	387.64
EAM1-; MMA1-; T2F1-							
	3744298		P-UB-10	5	6	CTC-1211597	387.64
STICK							
EAM1-; GLT1-; MMA1-; T2F1-							
	2092917		P-UB-10	150 mm	220 mm	CTC-2160000	1074.67
TRACK ADJUSTER							
EAM1-289; GLT1-; MMA1-265; T2F1-							
	1686743		TRK ADJ			CTC-1686743K	151.66

REPLACEMENT KITS FOR CATERPILLAR® EQUIPMENT

Excavators							
APPLICATION	CYL #	Misc-Parts, Instructions, etc.	CODE	ROD	BORE	KIT #	List \$
MODEL 385C FS							
TRACK ADJUSTER							
EAM290-; GLT1-; MMA226-; T2F1-							
	2979154		TRK ADJ			CTC-2979154K	151.66
MODEL 385C L							
BOOM							
EDA1-; JCM1-; KGB1-; KKK1-; SBE1-; T2E1-							
	1559068		P-UB-10	145 mm	210 mm	CTC-2159999	560.37
KGB1-; M3W1-; T2E1-							
	2332973		P-UB-10	150 mm	220 mm	CTC-2160000	1074.67
KGB352-							
	3539616		P-UB-10	145 mm	210 mm	CTC-2159999	560.37
BUCKET							
EDA1-; JCM1-; KGB1-; KKK1-; SBE1-; T2E1-							
	1559074		P-UB-10	140 mm	200 mm	CTC-2159995	606.77
	1559077		P-UB-10	150 mm	220 mm	CTC-2160000	1074.67
	2096037		P-UB-10	140 mm	200 mm	CTC-2159995	606.77
	2159965		P-UB-10	150 mm	220 mm	CTC-2160000	1074.67
JCM1-; SBE1-							
	1438004		P-UB-10	130 mm	180 mm	CTC-2159996	457.60
	1438007		P-UB-10	140 mm	200 mm	CTC-2159995	606.77
KGB1-; SBE1-							
	2254581		P-UB-10	105 mm	150 mm	CTC-1915619	259.52
	2898012		P-UB-10	105 mm	150 mm	CTC-1915619	259.52
	3154442		P-UB-10	105 mm	150 mm	CTC-1915619	259.52
	3154451		P-UB-10	105 mm	150 mm	CTC-3764331	251.79
KGB1-; T2E1-							
	2201532		P-UB-10	100 mm	140 mm	CTC-2159985	196.01
	2478853		P-UB-10	105 mm	150 mm	CTC-1915619	259.52
T2E1-							
	3998583		P-UB-10	105 mm	150 mm	CTC-1915619	259.52
COUNTERWEIGHT							
EDA1-; JCM1-; KGB1-; KKK1-; SBE1-; T2E1-							
	1559197		P-UB-10	105 mm	150 mm	CTC-1915619	259.52
STICK							
EDA1-; JCM1-; KGB1-; KKK1-; SBE1-; T2E1-							
	3153375	TYPE 1	P-UB-10	150 mm	220 mm	CTC-2160000	1074.67
	3153375	TYPE 2	P-UB-10	150 mm	220 mm	CTC-3701866	690.99
KGB1-							
	3264403		P-UB-10	140 mm	200 mm	CTC-2159995	606.77
KGB1-; T2E1-							
	1799794		P-UB-10	140 mm	200 mm	CTC-2159995	606.77
	3178432		P-UB-10	140 mm	200 mm	CTC-2159995	606.77
KGB1-;KKK1-							
	2898031		P-UB-10	115 mm	170 mm	CTC-3198295	370.16
STICK LH							
KGB1-;KKK1-							
	2344601		P-UB-10	115 mm	170 mm	CTC-2316844	508.33
	2836188		P-UB-10	115 mm	170 mm	CTC-3198295	370.16
STICK RH							
KGB1-;KKK1-							
	2876811		P-UB-10	115 mm	170 mm	CTC-2316844	508.33
	3071481		P-UB-10	115 mm	170 mm	CTC-3198295	370.16
TRACK ADJUSTER							
EDA1-; JCM184-; KGB1-; KKK208-; M3W1-; SBE297-; T2E1-							
	2979154		TRK ADJ			CTC-2979154K	151.66

REPLACEMENT KITS FOR CATERPILLAR® EQUIPMENT

Excavators							
APPLICATION	CYL #	Misc-Parts, Instructions, etc.	CODE	ROD	BORE	KIT #	List \$
MODEL 385C L							
TRACK ADJUSTER							
EDA1-462; JCM1-183; KGB1-407; KKK1-207; SBE1-296; T2E1-							
1686743			TRK ADJ			CTC-1686743K	151.66
UNDERCARRIAGE							
KGB1-; T2E1-							
1234121			P-UB-10	2	4	CTC-2409538	110.44
UNSPECIFIED APPLICATION							
EDA1-; JCM1-; KGB1-; KKK1-; SBE1-; T2E1-							
1559071			P-UB-10	150 mm	220 mm	CTC-2160000	1074.67
2590871			P-UB-10	150 mm	220 mm	CTC-2160000	1074.67
MODEL 5110B							
BOOM							
AAA1-UP; AAK1-UP; AAT1-UP							
1671847			P-UB-10	6-1/2	9-1/4	CTC-SK100017	1453.39
BUCKET							
AAA1-UP							
1681838			P-UB-10	7	10	CTC-SK100018	1368.99
AAA344-UP							
2287940			P-UB-10	7	10	CTC-SK100018	1368.99
2469100			P-UB-10	7	10	CTC-SK100018	1368.99
STICK							
AAA1-UP							
2469045			P-UB-10	7	10	CTC-SK100018	1368.99
AAA344-348							
1681843			P-UB-10	7	10	CTC-SK100018	1368.99
AAA349-UP							
2163337			P-UB-10	7	10	CTC-SK100018	1368.99
AAK1-UP							
2057707			P-UB-10	7	10	CTC-SK100018	1368.99
2469049			P-UB-10	7	10	CTC-SK100018	1368.99
AAT1-UP							
2226406			P-UB-10	150 mm	220 mm	CTC-SK100019	775.23
TRACK ADJUSTER							
AAA1-UP; AAK1-UP; AAT1-UP							
1271474			TRK ADJ			CTC-SK100016	295.55
WORK TOOL							
AAK1-UP							
2057222			P-UB-10	6-1/2	9-1/4	CTC-SK100017	1453.39
MODEL 5130							
BOOM							
5ZL1-39							
1064338	Front Shovel		P-UB-10	7	11	CTC-2463446	849.57
5ZL1-UP							
1076228	TYPE 1,2		P-UB-10	7-1/2	11	CTC-2395021	879.05
5ZL40-UP							
1207610	Front Shovel		P-UB-10	7	11	CTC-2463446	849.57
BUCKET							
5ZL1-39							
1064340	Front Shovel		P-UB-10	6	7-1/2	CTC-2463443	722.27
5ZL1-UP							
1079625	TYPE 1		P-UB-10	6-1/2	8-1/2	CTC-2481190	826.05
1079625	TYPE 2		P-UB-10	6-1/2	8-1/2	CTC-2481192	913.93
1141169	TYPE 1		P-UB-10	6-1/2	8-1/2	CTC-2481190	826.05
1141169	TYPE 2		P-UB-10	6-1/2	8-1/2	CTC-2481192	913.93
6E5752	Front Shovel		P-UB-10	3	6	CTC-2442053	517.22

CATERPILLAR®

REPLACEMENT KITS FOR CATERPILLAR® EQUIPMENT

Excavators							
APPLICATION	CYL #	Misc-Parts, Instructions, etc.	CODE	ROD	BORE	KIT #	List \$
MODEL 5130							
BUCKET LH							
5ZL44-UP							
1224967		Front Shovel; 1 2.49in wear ring	P-UB-10	6	7-1/2	CTC-2463443	722.27
1224967		Front Shovel; 2 1.49in wear rings	P-UB-10	6	7-1/2	CTC-2463445	954.30
BUCKET RH							
5ZL1-UP							
1122053		Front Shovel; 1 2.49in wear ring	P-UB-10	6	7-1/2	CTC-2463443	722.27
1122053		Front Shovel; 2 1.49in wear rings	P-UB-10	6	7-1/2	CTC-2463445	954.30
STICK							
5ZL1-39							
1064339		Front Shovel; 2.49in wide wear ring	P-UB-10	6	7-1/2	CTC-2463443	722.27
1064339		Front Shovel; 1.49in wide wear ring	P-UB-10	6	7-1/2	CTC-2463445	954.30
5ZL1-UP							
1036035		TYPE 2,3; 2 1.49in piston wear rings	P-UB-10	7-1/4	10	CTC-2481194	839.05
1036035		TYPE 1; 1 3.24in piston wear ring	P-UB-10	7-1/4	10	CTC-SK100066	682.44
1122049		Front Shovel; 1 2.49in wear ring	P-UB-10	6	7-1/2	CTC-2463443	722.27
1122049		Front Shovel; 2 1.49in wear rings	P-UB-10	6	7-1/2	CTC-2463445	954.30
TRACK ADJUSTER							
5ZL1-70							
6E5821			TRK ADJ	6		CTC-SK100084	222.54
5ZL71-UP							
1271474			TRK ADJ			CTC-SK100016	295.55
MODEL 5130B							
BOOM							
4CS1-UP							
1076228			P-UB-10	7-1/2	11	CTC-2395021	879.05
1207610		Front Shovel	P-UB-10	7	11	CTC-2463446	849.57
BUCKET							
4CS1-UP							
6E5752		Front Shovel	P-UB-10	3	6	CTC-2442053	517.22
BUCKET LH							
4CS1-153							
1365044			P-UB-10	6-1/2	220 mm	CTC-SK100081	988.61
4CS154-UP							
1491064			P-UB-10	7	220 mm	CTC-SK100089	719.12
4CS173-UP							
1491064			P-UB-10	7	220 mm	CTC-SK100090	692.40
4CS1-UP							
1224967		Front Shovel; 1 2.49in wear ring	P-UB-10	6	7-1/2	CTC-2463443	722.27
1224967		Front Shovel; 2 1.49in wear rings	P-UB-10	6	7-1/2	CTC-2463445	954.30
BUCKET RH							
4CS1-153							
1365043			P-UB-10	6-1/2	220 mm	CTC-SK100081	988.61
4CS154-UP							
1491063			P-UB-10	7	220 mm	CTC-SK100089	719.12
4CS173-UP							
1491063			P-UB-10	7	220 mm	CTC-SK100090	692.40
4CS1-UP							
1122053		Front Shovel; 1 2.49in wear ring	P-UB-10	6	7-1/2	CTC-2463443	722.27
1122053		Front Shovel; 2 1.49in wear rings	P-UB-10	6	7-1/2	CTC-2463445	954.30
STICK							
4CS1-196							
1036035			P-UB-10	7-1/4	10	CTC-2481194	839.05
4CS197-UP							
2133531		TYPE 1,2	P-UB-10	7-1/4	10	CTC-2481194	839.05

REPLACEMENT KITS FOR CATERPILLAR® EQUIPMENT

Excavators							
APPLICATION	CYL #	Misc-Parts, Instructions, etc.	CODE	ROD	BORE	KIT #	List \$
MODEL 5130B							
STICK							
4CS1-UP							
1122049		Front Shovel; 1 2.49in wear ring	P-UB-10	6	7-1/2	CTC-2463443	722.27
1122049		Front Shovel; 2 1.49in wear rings	P-UB-10	6	7-1/2	CTC-2463445	954.30
TRACK ADJUSTER							
4CS1-UP							
1271474			TRK ADJ			CTC-SK100016	295.55
Excavators - Compact							
APPLICATION	CYL #	Misc-Parts, Instructions, etc.	CODE	ROD	BORE	KIT #	List \$
MODEL 301.7 CR							
BLADE							
JH71-UP							
5177273			P-UB-10	30 mm	65 mm	CTC-5967019	120.24
BOOM							
JH71-UP							
5612215			P-UB-10	35 mm	65 mm	CTC-5920828	112.83
5612216			P-UB-10	35 mm	65 mm	CTC-5920828	112.83
BUCKET							
JH71-UP							
5286482			P-UB-10	30 mm	50 mm	CTC-5920827	111.95
STICK							
JH71-UP							
5612217			P-UB-10	30 mm	55 mm	CTC-5920825	117.21
5612218			P-UB-10	30 mm	55 mm	CTC-5920825	117.21
SWING BOOM							
JH71-UP							
5177272			P-UB-10	30 mm	60 mm	CTC-5920826	119.42
SWIVEL							
JH71-UP							
2307445			Swivel Kit			CTC-2388157	208.72
THUMB							
JH71-UP							
5622798			I-U-10	40 mm	65 mm	CTC-5797044	87.47
UNDERCARRIAGE							
JH71-UP							
5177274			P-UB-10	30 mm	55 mm	CTC-5920825	117.21
MODEL 301.7D CR							
BLADE							
LJ81-782; LJD1-1593							
3951267			P-UB-10	35 mm	65 mm	CTC-3951270	101.57
LJ81-UP; LJD1-UP							
5697876			I-U-10	40 mm	70 mm	CTC-5708323	223.55
BOOM							
LJ81-1447; LJD1-2912							
4385867			P-U-10	35 mm	65 mm	CTC-3792735	60.37
LJ81448-UP; LJD2913-UP							
5809596			I-U-10	35 mm	65 mm	CTC-5792831	408.50
5809596			Bushing	35 mm		CTC-5767333	11.55
LJ81-UP; LJD1-UP							
5749285			I-U-10	30 mm	60 mm	CTC-5749252	408.42
BOOM OFFSET							
LJ81-UP; LJK1-1549							
5046725			P-U-10	30 mm	60 mm	CTC-3792737	71.80
BUCKET							
LJ81-733; LJD1-1261							
3792868			P-U-10	30 mm	55 mm	CTC-3735748	77.23

REPLACEMENT KITS FOR CATERPILLAR® EQUIPMENT

Excavators - Compact							
APPLICATION	CYL #	Misc-Parts, Instructions, etc.	CODE	ROD	BORE	KIT #	List \$
MODEL 301.7D CR							
BUCKET							
LJ8734-1450; LJD1262-2913							
	5199252		P-U-10	30 mm	55 mm	CTC-5199260	385.81
LJ8734-UP; LJD1262-UP							
	5809586		I-U-10	30 mm	55 mm	CTC-5764154	134.80
	5809586		Bushing	30 mm		CTC-5764153	10.41
DIPPER							
LJ81-1450; LJD1-2913							
	5727051		P-U-10	30 mm	55 mm	CTC-3735748	77.23
STICK							
LJ81-1450; LJD1-2913							
	4385854		P-U-10	30 mm	55 mm	CTC-3735748	77.23
LJ81451-UP; LJD2914-UP							
	5809592		I-U-10	30 mm	55 mm	CTC-5764154	134.80
	5809592		Bushing	30 mm		CTC-5764153	10.41
SWING							
LJ81451-UP; LJD2914-UP							
	5809588		I-U-10	30 mm	60 mm	CTC-5792777	335.32
SWING BOOM							
LJ81-UP; LJD1-1549							
	4397245		P-U-10	30 mm	60 mm	CTC-3792737	71.80
TELESCOPING							
LJ81392-UP; LJD2726-UP							
	5809598		I-U-10	30 mm	50 mm	CTC-5764815	150.42
	5809598		Bushing	30 mm		CTC-5764153	10.41
TILT							
LJ81-UP; LJD1-UP							
	2443074		P-U-10	30 mm	60 mm	CTC-1608546	82.27
UNDERCARRIAGE							
LJ81-1391; LJD1-UP							
	5718026		P-U-10	30 mm	50 mm	CTC-3951275	111.83
MODEL 302.7D							
BLADE							
LJ71-UP; LJL1-UP							
	5725855		I-UB-14	50 mm	90 mm	CTC-3842381	245.92
LJL1-UP							
	3841112		I-UB-14	50 mm	90 mm	CTC-3842381	245.92
BOOM							
LJ71-UP; LJL1-UP							
	3841130		I-UB-10	40 mm	70 mm	CTC-3842448	247.43
BOOM SWING							
LJ71-UP; LJL1-UP							
	5248765		I-UB-10	40 mm	70 mm	CTC-3842454	216.80
BUCKET							
LJ71-UP; LJL1-UP							
	4674023		I-UB-10	36 mm	65 mm	CTC-3860714	151.85
	4674025		I-UB-10	40 mm	65 mm	CTC-4671783	297.20
STICK							
LJ71-UP; LJL1-UP							
	3841131		I-UB-10	45 mm	70 mm	CTC-3842452	238.06
THUMB							
LJ71-UP; LJL1-UP							
	2688223		P-U-10	1-1/2	2-1/2	CTC-2782253	125.07
	2688223		Bushing	1-1/2		CTC-2782248	20.47

REPLACEMENT KITS FOR CATERPILLAR® EQUIPMENT

Excavators - Compact							
APPLICATION	CYL #	Misc-Parts, Instructions, etc.	CODE	ROD	BORE	KIT #	List \$
MODEL 302.7D							
TILT							
	LJL1-UP						
	2443074		P-U-10	30 mm	60 mm	CTC-1608546	82.27
MODEL 303.5E CR							
BLADE							
	RSE1-UP						
	2666979		P-U-10	45 mm	80 mm	CTC-2788641	117.53
	SFH1-UP						
	2666979		P-U-10	45 mm	80 mm	CTC-2788641	117.53
BLADE ANGLE							
	RKY1-UP						
	2866384		P-U-10	35 mm	65 mm	CTC-2839122	68.53
BLADE LIFT							
	RKY1-UP						
	2666979		P-U-10	45 mm	80 mm	CTC-2788641	117.53
BOOM							
	RKY1-UP						
	2840420		P-U-10	45 mm	80 mm	CTC-2788641	117.53
	RSE1-UP						
	2737034		P-U-10	45 mm	80 mm	CTC-2788641	117.53
	SFH1-UP						
	2840420		P-U-10	45 mm	80 mm	CTC-2788641	117.53
BUCKET							
	RKY1-UP						
	3760170		P-U-10	40 mm	70 mm	CTC-2519845	112.69
	RSE1-UP						
	3760170		P-U-10	40 mm	70 mm	CTC-2519845	112.69
	SFH1-UP						
	3760170		P-U-10	40 mm	70 mm	CTC-2519845	112.69
QUICK COUPLER							
	RKY1-UP						
	3611125		I-U-11	3/4	1 1/4	CTC-3611078	230.74
STICK							
	RKY1-UP						
	2840863		P-U-10	45 mm	80 mm	CTC-2797940	125.43
	RSE1-UP						
	2737035		P-U-10	45 mm	80 mm	CTC-2797940	125.43
	SFH1-UP						
	2840863		P-U-10	45 mm	80 mm	CTC-2797940	125.43
SWING BOOM							
	RKY1-UP						
	3760171		P-U-10	50 mm	85 mm	CTC-2790639	138.28
	RSE1-UP						
	3760171		P-U-10	50 mm	85 mm	CTC-2790639	138.28
	SFH1-UP						
	3760171		P-U-10	50 mm	85 mm	CTC-2790639	138.28
THUMB							
	RKY1-UP						
	2688224		P-U-10	1 1/2	2 1/2	CTC-2782257	74.92
TILT							
	RKY1-UP						
	2460192		P-UB-10	1-1/2	3	CTC-2350354	54.98
MODEL 303.5E2							
ANGLE BLADE							
	JWY1-UP						
	3976961		P-U-10	35 mm	65 mm	CTC-4690723	187.41

REPLACEMENT KITS FOR CATERPILLAR® EQUIPMENT

Excavators - Compact							
APPLICATION	CYL #	Misc-Parts, Instructions, etc.	CODE	ROD	BORE	KIT #	List \$
MODEL 303.5E2							
BLADE							
JWY1-UP							
	3976963		P-U-10	45 mm	80 mm	CTC-4690717	235.02
	4874410		P-U-10	40 mm	80 mm	CTC-5078289	217.77
BOOM							
JWY1-UP							
	3976967		P-U-10	45 mm	80 mm	CTC-4690676	252.74
	3976971		P-U-10	45 mm	80 mm	CTC-4690676	252.74
BUCKET							
JWY1-UP							
	3976978		P-U-10	40 mm	70 mm	CTC-4690689	187.69
QUICK COUPLER							
JWY1-UP							
	3611125		I-U-11	3/4	1 1/4	CTC-3611078	230.74
	4855287		Valve Kit			CTC-4999314	83.17
	5674570		I-U-10	3/4	1-1/4	CTC-4855282	279.18
STICK							
JWY1-UP							
	3976983		P-U-10	45 mm	80 mm	CTC-4690682	248.74
SWING BOOM							
JWY1-UP							
	3976975		P-U-10	50 mm	85 mm	CTC-4690729	269.77
THUMB							
JWY1-UP							
	2688224		P-U-10	1 1/2	2 1/2	CTC-2782257	74.92
	2688224		Bushing	1-1/2		CTC-2782248	20.47
TRACK ADJUSTER							
JWY1-461							
	4220865		TRK ADJ			CTC-SK100206	12.54
	4220866		TRK ADJ			CTC-SK100206	12.54
JWY462-UP							
	4691395		TRK ADJ			CTC-SK100206	12.54
	4691396		TRK ADJ			CTC-SK100206	12.54
MODEL 303.5E2 CR							
ANGLE BLADE							
BG81-UP							
	3976961		P-U-10	35 mm	65 mm	CTC-4690723	187.41
BLADE							
AC51-UP; CR61-UP; CR91-UP; DWD1-UP							
	2666979		P-U-10	45 mm	80 mm	CTC-2788641	117.53
	2666979		Bushing	45 mm		CTC-2378377	24.93
BG81-UP							
	3976963		P-U-10	45 mm	80 mm	CTC-4690717	235.02
BOOM							
AC51-UP; DWD1-UP							
	2737034		P-U-10	45 mm	80 mm	CTC-2788641	117.53
	2737034		Bushing	45 mm		CTC-3147387	24.93
BG81-UP							
	3976967		P-U-10	45 mm	80 mm	CTC-4690676	252.74
	3976971		P-U-10	45 mm	80 mm	CTC-4690676	252.74
BUCKET							
AC51-UP; CR61-UP; CR91-UP; DWD1-UP							
	3760170		P-U-10	40 mm	70 mm	CTC-2519845	112.69
	3760170		Bushing	40 mm		CTC-3108780	13.51
BG81-UP							
	3976978		P-U-10	40 mm	70 mm	CTC-4690689	187.69

REPLACEMENT KITS FOR CATERPILLAR® EQUIPMENT

Excavators - Compact							
APPLICATION	CYL #	Misc-Parts, Instructions, etc.	CODE	ROD	BORE	KIT #	List \$
MODEL 303.5E2 CR							
QUICK COUPLER							
BG81-UP; CR61-UP							
3611125			I-U-11	3/4	1 1/4	CTC-3611078	230.74
5674570			I-U-10	3/4	1-1/4	CTC-4855282	279.18
CR61-UP; DWD1-UP							
4855287			Valve Kit			CTC-4999314	83.17
STICK							
AC51-UP; DWD1-UP							
2737035			P-U-10	45 mm	80 mm	CTC-2797940	125.43
2737035			Bushing	45 mm		CTC-2378377	24.93
BG81-UP							
3976983			P-U-10	45 mm	80 mm	CTC-4690682	248.74
CR61-UP; CR91-UP							
2840863			P-U-10	45 mm	80 mm	CTC-2797940	125.43
2840863			Bushing	45 mm		CTC-2378377	24.93
SWING BOOM							
AC51-UP; CR61-UP; CR91-UP							
3760171			P-U-10	50 mm	85 mm	CTC-2790639	138.28
3760171			Bushing	50 mm		CTC-3111031	25.26
BG81-UP							
3976975			P-U-10	50 mm	85 mm	CTC-4690729	269.77
THUMB							
BG81-UP							
2688224			P-U-10	1 1/2	2 1/2	CTC-2782257	74.92
2688224			Bushing	1-1/2		CTC-2782248	20.47
TILT							
BG81-UP							
2460192			P-UB-10	1-1/2	3	CTC-2350354	54.98
TRACK ADJUSTER							
AC51-UP; CR61-UP; CR91-UP; DWD1-UP							
3927373			TRK ADJ			CTC-SK100205	11.34
3927374			TRK ADJ			CTC-SK100205	11.34
BG81-UP							
4220865			TRK ADJ			CTC-SK100206	12.54
4220866			TRK ADJ			CTC-SK100206	12.54
4691395			TRK ADJ			CTC-SK100206	12.54
4691396			TRK ADJ			CTC-SK100206	12.54
MODEL 303E CR							
BLADE							
CK31-UP; CR71-UP; FR31-UP; HHM1-UP; SGE1-UP; SMG1-UP							
3407462			P-U-10	45 mm	75 mm	CTC-2812322	111.79
BOOM							
CK31-UP; HHM1-UP; SGE1-UP; SMG1-UP							
5023495			P-U-10	45 mm	75 mm	CTC-4220728	159.10
CR71-UP; FR31-UP							
4215343			P-U-10	45 mm	75 mm	CTC-4220728	159.10
SMG1-UP							
3407458			P-U-10	45 mm	75 mm	CTC-4220728	159.10
BUCKET							
CK31-UP; CR71-UP; HHM1-UP; SGE1-UP; SMG1-UP							
3410895			P-U-10	40 mm	65 mm	CTC-2400453	115.71
3410895			Bushing	40 mm		CTC-3108780	13.51
QUICK COUPLER							
CK31-UP							
5674570			I-U-10	3/4	1-1/4	CTC-4855282	279.18

CATERPILLAR®

REPLACEMENT KITS FOR CATERPILLAR® EQUIPMENT

Excavators - Compact							
APPLICATION	CYL #	Misc-Parts, Instructions, etc.	CODE	ROD	BORE	KIT #	List \$
MODEL 303E CR							
QUICK COUPLER							
CK31-UP; HHM1-UP							
3611125			I-U-11	3/4	1 1/4	CTC-3611078	230.74
CK31-UP; HHM1-UP; SGE1-UP							
4855287			I-U-10	3/4	1-1/4	CTC-4855282	279.18
4855287			Valve Kit			CTC-4999314	83.17
STICK							
CK31-UP; CR71-UP; FR31-UP; HHM1-UP; SGE1-UP; SMG1-UP							
3407459			P-U-10	45 mm	75 mm	CTC-2812322	111.79
CR71-UP; FR31-UP							
4215345			P-U-10	45 mm	75 mm	CTC-2812322	111.79
SWING							
CK31-UP; CR71-UP; FR31-UP; HHM1-UP; SGE1-UP; SMG1-UP							
3410896			P-U-10	45 mm	80 mm	CTC-2797940	125.43
THUMB							
HHM1-UP; SGE1-UP							
2688224			P-U-10	1 1/2	2 1/2	CTC-2782257	74.92
2688224			Bushing	1-1/2		CTC-2782248	20.47
5206100			I-U-10	40 mm	65 mm	CTC-5776165	89.43
TILT							
HHM1-UP							
2460192			P-UB-10	1-1/2	3	CTC-2350354	54.98
MODEL 304E							
BLADE							
SSC1-UP, TSR1-UP, TTN1-UP							
2666979			P-U-10	45 mm	80 mm	CTC-2788641	117.53
2666979			Bushing	45 mm		CTC-2378377	24.93
TTN1-UP							
2866384			P-U-10	35 mm	65 mm	CTC-2839122	68.53
2866384			Bushing	35 mm		CTC-2032343	13.20
BOOM							
SSC1-UP; TTN1-UP							
2843369			P-U-10	50 mm	85 mm	CTC-2812321	121.42
2843369			Bushing	50 mm		CTC-3111031	25.26
TSR1-UP							
2737031			P-U-10	50 mm	85 mm	CTC-2812321	121.42
2737031			Bushing	50 mm		CTC-3111031	25.26
BUCKET							
SSC1-UP; TTN1-UP							
2779900			P-U-10	45 mm	75 mm	CTC-2812322	111.79
2779900			Bushing	45 mm		CTC-2378377	24.93
TSR1-UP							
2779901			P-U-10	45 mm	75 mm	CTC-2812322	111.79
2779901			Bushing	45 mm		CTC-2378377	24.93
QUICK COUPLER							
TTN1-UP							
3611125			I-U-11	3/4	1 1/4	CTC-3611078	230.74
5674570			I-U-10	3/4	1-1/4	CTC-4855282	279.18
STICK							
SSC1-UP; TTN1-UP							
2840883			P-U-10	50 mm	80 mm	CTC-2812323	120.99
2840883			Bushing	50 mm		CTC-3111031	25.26
TSR1-UP							
2737032			P-U-10	50 mm	80 mm	CTC-2812323	120.99
2737032			Bushing	50 mm		CTC-3111031	25.26

REPLACEMENT KITS FOR CATERPILLAR® EQUIPMENT

Excavators - Compact							
APPLICATION	CYL #	Misc-Parts, Instructions, etc.	CODE	ROD	BORE	KIT #	List \$
MODEL 304E							
SWING BOOM							
SSC1-UP, TSR1-UP, TTN1-UP							
	3760171		P-U-10	50 mm	85 mm	CTC-2790639	138.28
	3760171		Bushing	50 mm		CTC-3111031	25.26
THUMB							
TTN1-UP							
	2688224		P-U-10	1 1/2	2 1/2	CTC-2782257	74.92
	2688224		Bushing	1-1/2		CTC-2782248	20.47
TILT							
TTN1-UP							
	2460192		P-UB-10	1-1/2	3	CTC-2350354	54.98
TRACK ADJUSTER							
SSC1-UP, TSR1-UP, TTN324-UP							
	3927373		TRK ADJ			CTC-SK100205	11.34
	3927374		TRK ADJ			CTC-SK100205	11.34
TTN1-323							
	2674827		TRK ADJ			CTC-SK100205	11.34
	2674828		TRK ADJ			CTC-SK100205	11.34
MODEL 304E2							
BLADE							
ME41-2921							
	3976963		P-U-10	45 mm	80 mm	CTC-4690717	235.02
ME41-UP							
	3976961		P-U-10	35 mm	65 mm	CTC-4690723	187.41
ME42910-UP							
	4874410		P-U-10	40 mm	80 mm	CTC-5078289	217.77
BOOM							
ME41-1254							
	3976972		P-U-10	50 mm	85 mm	CTC-4690697	287.96
ME41255-UP							
	4787046		P-U-10	50 mm	85 mm	CTC-4828678	153.96
ME41-UP							
	4787045		P-U-10	50 mm	85 mm	CTC-4787051	268.04
BUCKET							
ME41-UP							
	3976979		P-U-10	45 mm	75 mm	CTC-4690711	262.34
QUICK COUPLER							
ME41-UP							
	3611125		I-U-11	3/4	1 1/4	CTC-3611078	230.74
	4855287		Valve Kit			CTC-4999314	83.17
	5674570		I-U-10	3/4	1-1/4	CTC-4855282	279.18
STICK							
ME41-UP							
	3976984		P-U-10	50 mm	80 mm	CTC-4690704	257.26
SWING BOOM							
ME41-UP							
	3976975		P-U-10	50 mm	85 mm	CTC-4690729	269.77
THUMB							
ME41-UP							
	2688224		P-U-10	1 1/2	2 1/2	CTC-2782257	74.92
	2688224		Bushing	1-1/2		CTC-2782248	20.47

CATERPILLAR®

REPLACEMENT KITS FOR CATERPILLAR® EQUIPMENT

Excavators - Compact							
APPLICATION	CYL #	Misc-Parts, Instructions, etc.	CODE	ROD	BORE	KIT #	List \$
MODEL 304E2							
TRACK ADJUSTER							
ME41-UP							
4220865			TRK ADJ			CTC-SK100206	12.54
4220866			TRK ADJ			CTC-SK100206	12.54
4691395			TRK ADJ			CTC-SK100206	12.54
4691396			TRK ADJ			CTC-SK100206	12.54
MODEL 304E2 CR							
BLADE							
CJ21-UP							
3976961			P-U-10	35 mm	65 mm	CTC-4690723	187.41
3976963			P-U-10	45 mm	80 mm	CTC-4690717	235.02
FC21-UP, GC51-UP, HC51-UP, KC41-UP							
2666979			P-U-10	45 mm	80 mm	CTC-2788641	117.53
2666979			Bushing	45 mm		CTC-2378377	24.93
BOOM							
CJ21-UP							
3976968			P-U-10	50 mm	85 mm	CTC-4690697	287.96
3976972			P-U-10	50 mm	85 mm	CTC-4690697	287.96
4787045			P-U-10	50 mm	85 mm	CTC-4787051	268.04
4787046			P-U-10	50 mm	85 mm	CTC-4828678	153.96
FC21-117, GC51-UP							
2843369			P-U-10	50 mm	85 mm	CTC-2812321	121.42
2843369			Bushing	50 mm		CTC-3111031	25.26
FC21118-UP, GC51-UP							
5023494			P-U-10	50 mm	85 mm	CTC-2812321	121.42
5023494			Bushing	50 mm		CTC-3111031	25.26
HC51-UP, KC41-UP							
2737031			P-U-10	50 mm	85 mm	CTC-2812321	121.42
2737031			Bushing	50 mm		CTC-3111031	25.26
BUCKET							
CJ21-UP							
3976979			P-U-10	45 mm	75 mm	CTC-4690711	262.34
FC21-UP, GC51-UP, HC51-UP, KC41-UP							
2779900			P-U-10	45 mm	75 mm	CTC-2812322	111.79
2779900			Bushing	45 mm		CTC-2378377	24.93
QUICK COUPLER							
CJ21-UP							
3611125			I-U-11	3/4	1 1/4	CTC-3611078	230.74
5674570			I-U-10	3/4	1-1/4	CTC-4855282	279.18
FC21-UP							
3611125			I-U-11	3/4	1 1/4	CTC-3611078	230.74
5674570			I-U-10	3/4	1-1/4	CTC-4855282	279.18
FC21-UP, KC41-UP							
4855287			I-U-10	3/4	1-1/4	CTC-4855282	279.18
STICK							
CJ21-UP							
3976984			P-U-10	50 mm	80 mm	CTC-4690704	257.26
FC21-UP, GC51-UP							
2840883			P-U-10	50 mm	80 mm	CTC-2812323	120.99
2840883			Bushing	50 mm		CTC-3111031	25.26
HC51-UP, KC41-UP							
2737032			P-U-10	50 mm	80 mm	CTC-2812323	120.99
2737032			Bushing	50 mm		CTC-3111031	25.26
SWING BOOM							
CJ21-UP							
3976975			P-U-10	50 mm	85 mm	CTC-4690729	269.77

REPLACEMENT KITS FOR CATERPILLAR® EQUIPMENT

Excavators - Compact							
APPLICATION	CYL #	Misc-Parts, Instructions, etc.	CODE	ROD	BORE	KIT #	List \$
MODEL 304E2 CR							
SWING BOOM							
FC21-UP, GC51-UP, HC51-UP, KC41-UP							
3760171			P-U-10	50 mm	85 mm	CTC-2790639	138.28
3760171			Bushing	50 mm		CTC-3111031	25.26
THUMB							
CJ21-UP							
2688224			P-U-10	1 1/2	2 1/2	CTC-2782257	74.92
TILT							
CJ21-UP							
2460192			P-UB-10	1-1/2	3	CTC-2350354	54.98
TRACK ADJUSTER							
CJ21-UP							
4220865			TRK ADJ			CTC-SK100206	12.54
4220866			TRK ADJ			CTC-SK100206	12.54
4691395			TRK ADJ			CTC-SK100206	12.54
4691396			TRK ADJ			CTC-SK100206	12.54
FC21-UP, GC51-UP, HC51-UP, KC41-UP							
3927373			TRK ADJ			CTC-SK100205	11.34
3927374			TRK ADJ			CTC-SK100205	11.34
MODEL 305.5E							
BLADE							
FSC1-UP							
2937158			P-U-10	55 mm	90 mm	CTC-4308918	194.16
MX51-UP							
3882913			I-UB-1	60 mm		CTC-3924561	172.96
YGB1-UP							
2937158			P-U-10	55 mm	90 mm	CTC-4308918	194.16
BLADE ANGLE							
FKY1-UP							
3891815			P-U-10	35 mm	65 mm	CTC-2839122	68.53
BLADE LIFT							
FKY1-UP							
2937158			P-U-10	55 mm	90 mm	CTC-4308918	194.16
BOOM							
FKY1-UP							
2821535			P-U-10	55 mm	100 mm	CTC-4307589	146.65
3712449			P-UB-14	55 mm	95 mm	CTC-2773395	155.08
3885292			P-U-10	55 mm	100 mm	CTC-SK100181	119.67
FSC1-UP							
3106213			P-U-10	55 mm	100 mm	CTC-SK100184	119.67
MX51-UP							
4252913			P-UB-1	55 mm		CTC-3750731	180.25
YGB1-UP							
2821536			P-U-10	55 mm	100 mm	CTC-SK100185	119.67
BUCKET							
FKY1-UP							
2666967			P-U-10	50 mm	80 mm	CTC-4308744	136.24
FSC1-UP							
2666968			P-U-10	50 mm	80 mm	CTC-SK100182	113.77
MX51-UP							
4252914			P-UB-1	40 mm		CTC-4523459	69.87
4252914			N-N-10		70 mm	CTC-4523460	51.63
YGB1-UP							
2666968			P-U-10	50 mm	80 mm	CTC-SK100182	113.77

REPLACEMENT KITS FOR CATERPILLAR® EQUIPMENT

Excavators - Compact							
APPLICATION	CYL #	Misc-Parts, Instructions, etc.	CODE	ROD	BORE	KIT #	List \$
MODEL 305.5E							
QUICK COUPLER							
FKY1-UP							
	3611077		I-U-11	3/4	1 1/4	CTC-3611078	230.74
STICK							
FKY1-UP							
	2821537		P-U-10	55 mm	90 mm	CTC-4308918	194.16
FSC1-UP							
	2737027		P-U-10	55 mm	90 mm	CTC-SK100183	106.89
MX51500-UP							
	4550419		P-UB-1	55 mm		CTC-3750740	126.05
MX51-UP							
	3638169		P-UB-1	55 mm		CTC-3750740	126.05
YGB1-UP							
	2821538		P-U-10	55 mm	90 mm	CTC-SK100186	106.89
SWING BOOM							
FKY1-UP							
	3769683		P-U-10	55 mm	90 mm	CTC-SK100180	92.68
FSC1-UP							
	3769683		P-U-10	55 mm	90 mm	CTC-SK100180	92.68
YGB1-UP							
	3769683		P-U-10	55 mm	90 mm	CTC-SK100180	92.68
TILT							
FKY1-UP							
	2460192		P-UB-10	1-1/2	3	CTC-2350354	54.98
MODEL 305.5E2							
BLADE							
CR51-UP							
	3976962		P-UB-1	40 mm		CTC-4610859	138.58
	3976962		N-N-10		70 mm	CTC-4610860	104.42
	3976962		Cushion Kit			CTC-4610861	5.60
	3976965		P-UB-1	55 mm		CTC-4610668	184.88
	3976965		N-N-10		90 mm	CTC-4610669	209.62
WE21-136							
	3882913		I-UB-1	60 mm		CTC-3924561	172.96
	3882913		N-N-10		110 mm	CTC-3924562	121.56
	3882913		Cushion Kit			CTC-3924563	3.28
WE2137-UP							
	4715687		I-UB-1	60 mm		CTC-3924561	172.96
	4715687		N-N-10		110 mm	CTC-3924562	121.56
	4715687		Cushion Kit			CTC-3924563	3.28
BOOM							
CR51-UP							
	3976970		P-UB-1	55 mm		CTC-4610642	212.88
	3976970		N-N-10		100 mm	CTC-4610643	120.10
	3976970		Cushion Kit			CTC-4610644	4.67
	3976974		P-UB-1	55 mm		CTC-4610642	212.88
	3976974		N-N-10		100 mm	CTC-4610643	120.10
	3976974		Cushion Kit			CTC-4610644	4.67
	5127559		P-UB-1	55 mm		CTC-4610642	212.88
	5127559		N-N-10		100 mm	CTC-4610643	120.10
	5127559		Cushion Kit			CTC-4610644	4.67
	5127560		P-UB-1	55 mm		CTC-4610642	212.88
	5127560		N-N-10		100 mm	CTC-4610643	120.10
	5127560		Cushion Kit			CTC-4610644	4.67

REPLACEMENT KITS FOR CATERPILLAR® EQUIPMENT

Excavators - Compact							
APPLICATION	CYL #	Misc-Parts, Instructions, etc.	CODE	ROD	BORE	KIT #	List \$
MODEL 305.5E2							
BOOM							
WE21-UP							
	4252913		P-UB-1	55 mm		CTC-3750731	180.25
	4252913		N-N-10		100 mm	CTC-3750732	123.68
BUCKET							
CR51-UP							
	3976981		P-UB-1	50 mm		CTC-4610680	240.51
	3976981		N-N-10		80 mm	CTC-4610681	75.35
	3976981		Cushion Kit			CTC-4610682	6.61
WE21-UP							
	4252914		P-UB-1	40 mm		CTC-4523459	69.87
	4252914		N-N-10		70 mm	CTC-4523460	51.63
	4252914		Cushion Kit			CTC-4523461	13.02
COUPLER							
CR51-UP							
	4556016		I-U-11	3/4	1 1/4	CTC-3611078	230.74
QUICK COUPLER							
EJX1-UP							
	3611077		I-U-11	3/4	1 1/4	CTC-3611078	230.74
STICK							
CR51-UP							
	3976986		P-UB-1	55 mm		CTC-4610668	184.88
	3976986		N-N-10		90 mm	CTC-4610669	209.62
WE21-UP							
	4550419		P-UB-1	55 mm		CTC-3750740	126.05
SWING BOOM							
CR51-UP							
	3976976		P-UB-1	55 mm		CTC-4610668	184.88
	3976976		N-N-10		90 mm	CTC-4610669	209.62
THUMB							
CR51-UP							
	2688225		P-U-10	1 3/4	3	CTC-2782263	98.00
	2688225		Bushing	1-3/4		CTC-2782262	18.35
EJX1-UP							
	2688225		P-U-10	1 3/4	3	CTC-2782263	98.00
TILT							
EJX1-UP							
	2460192		P-UB-10	1-1/2	3	CTC-2350354	54.98
TRACK ADJUSTER LH							
CR51-UP							
	4691393		TRK ADJ			CTC-SK100191	7.80
	5239563		TRK ADJ			CTC-SK100191	7.80
WE21-UP							
	3535580		TRK ADJ			CTC-SK100193	21.56
TRACK ADJUSTER RH							
CR51-UP							
	4691394		TRK ADJ			CTC-SK100191	7.80
	5239564		TRK ADJ			CTC-SK100191	7.80
WE21-UP							
	3535581		TRK ADJ			CTC-SK100193	21.56

REPLACEMENT KITS FOR CATERPILLAR® EQUIPMENT

Excavators - Compact							
APPLICATION	CYL #	Misc-Parts, Instructions, etc.	CODE	ROD	BORE	KIT #	List \$
MODEL 305.5E2 CR							
BLADE							
EJX1-UP							
3976962		P-UB-1	40 mm			CTC-4610859	138.58
3976962		N-N-10			70 mm	CTC-4610860	104.42
3976962		Cushion Kit				CTC-4610861	5.60
3976965		P-UB-1	55 mm			CTC-4610668	184.88
3976965		N-N-10			90 mm	CTC-4610669	209.62
FR51-UP; HRX1-UP; NC51-UP; SHW1-UP							
4610517		P-U-10	55 mm		90 mm	CTC-4812718	311.75
4610517		Bushing	55 mm			CTC-4800652	27.61
BOOM							
EJX1-UP							
3976970		P-UB-1	55 mm			CTC-4610642	212.88
3976970		N-N-10			100 mm	CTC-4610643	120.10
3976970		Cushion Kit				CTC-4610644	4.67
3976974		P-UB-1	55 mm			CTC-4610642	212.88
3976974		N-N-10			100 mm	CTC-4610643	120.10
3976974		Cushion Kit				CTC-4610644	4.67
5127559		P-UB-1	55 mm			CTC-4610642	212.88
5127559		N-N-10			100 mm	CTC-4610643	120.10
5127559		Cushion Kit				CTC-4610644	4.67
5127560		P-UB-1	55 mm			CTC-4610642	212.88
5127560		N-N-10			100 mm	CTC-4610643	120.10
5127560		Cushion Kit				CTC-4610644	4.67
BUCKET							
EJX1-UP							
3976981		P-UB-1	50 mm			CTC-4610680	240.51
3976981		N-N-10			80 mm	CTC-4610681	75.35
3976981		Cushion Kit				CTC-4610682	6.61
FR51-UP; HRX1-UP; NC51-UP; SHW1-UP							
4610516		P-U-10	50 mm		80 mm	CTC-4812720	120.39
4610516		Bushing	50 mm			CTC-3111031	25.26
COUPLER							
EJX1-UP							
4556016		I-U-11	3/4		1 1/4	CTC-3611078	230.74
EJX1-UP; SHW1-UP							
3611077		I-U-11	3/4		1 1/4	CTC-3611078	230.74
HRX1-UP; SHW1-UP							
4855288		I-U-10	3/4		1-1/4	CTC-4855282	279.18
4855288		Valve Kit				CTC-4999314	83.17
STICK							
EJX1-UP							
3976986		P-UB-1	55 mm			CTC-4610668	184.88
3976986		N-N-10			90 mm	CTC-4610669	209.62
FR51-UP; HRX1-UP							
4610521		P-U-10	55 mm		90 mm	CTC-4812718	311.75
4610521		Bushing	55 mm			CTC-4800652	27.61
NC51-UP; SHW1-UP							
4610515		P-U-10	55 mm		90 mm	CTC-4812718	311.75
4610515		Bushing	55 mm			CTC-4800652	27.61
SWING BOOM							
EJX1-UP							
3976976		P-UB-1	55 mm			CTC-4610668	184.88
3976976		N-N-10			90 mm	CTC-4610669	209.62

REPLACEMENT KITS FOR CATERPILLAR® EQUIPMENT

Excavators - Compact							
APPLICATION	CYL #	Misc-Parts, Instructions, etc.	CODE	ROD	BORE	KIT #	List \$
MODEL 305.5E2 CR							
THUMB							
EJX1-UP							
	2688225		P-U-10	1 3/4	3	CTC-2782263	98.00
	2688225		Bushing	1-3/4		CTC-2782262	18.35
TILT							
EJX1-UP							
	2460192		P-UB-10	1-1/2	3	CTC-2350354	54.98
TRACK ADJUSTER LH							
EJX1-UP							
	4691393		TRK ADJ			CTC-SK100191	7.80
	5239563		TRK ADJ			CTC-SK100191	7.80
FR51-UP; HRX1-UP; NC51-UP; SHW1-UP							
	3771230		TRK ADJ			CTC-SK100192	7.05
TRACK ADJUSTER RH							
EJX1-UP							
	4691394		TRK ADJ			CTC-SK100191	7.80
	5239564		TRK ADJ			CTC-SK100191	7.80
FR51-UP; HRX1-UP; NC51-UP; SHW1-UP							
	3771239		TRK ADJ			CTC-SK100192	7.05
MODEL 305E							
BLADE							
WDL1-UP							
	3712452		P-UB-10	50 mm	85 mm	CTC-2774178	294.48
XFA1-UP							
	3891815		P-U-10	35 mm	65 mm	CTC-2839122	68.53
XSC1-UP							
	3712452		P-UB-10	50 mm	85 mm	CTC-2774178	294.48
BLADE ANGLE							
XFA1-UP							
	3712452		P-UB-10	50 mm	85 mm	CTC-2774178	294.48
BOOM							
XFA1-UP							
	3712449		P-UB-14	55 mm	95 mm	CTC-2773395	155.08
	3885291		P-UB-14	55 mm	95 mm	CTC-2773395	155.08
BUCKET							
WDL1-UP							
	3743179		P-UB-14	45 mm	75 mm	CTC-3944852	147.31
XFA1-UP							
	3712451		P-UB-14	45 mm	75 mm	CTC-2774167	223.67
XSC1-UP							
	3743179		P-UB-14	45 mm	75 mm	CTC-3944852	147.31
QUICK COUPLER							
XFA1-UP							
	3611077		I-U-11	3/4	1 1/4	CTC-3611078	230.74
STICK							
WDL1-UP							
	3742031		P-UB-14	50 mm	85 mm	CTC-3944846	260.42
XFA1-UP							
	3712450		P-UB-14	50 mm	85 mm	CTC-2774140	130.77
XSC1-UP							
	3930821		P-UB-14	50 mm	85 mm	CTC-3944848	155.30
SWING BOOM							
WDL1-UP							
	3769683		P-U-10	55 mm	90 mm	CTC-SK100180	92.68
XFA1-UP							
	3769683		P-U-10	55 mm	90 mm	CTC-SK100180	92.68

CATERPILLAR®

REPLACEMENT KITS FOR CATERPILLAR® EQUIPMENT

Excavators - Compact							
APPLICATION	CYL #	Misc-Parts, Instructions, etc.	CODE	ROD	BORE	KIT #	List \$
MODEL 305E							
SWING BOOM							
	XSC1-UP						
	3769683		P-U-10	55 mm	90 mm	CTC-SK100180	92.68
THUMB							
	XFA1-UP						
	2688225		P-U-10	1 3/4	3	CTC-2782263	98.00
TILT							
	XFA1-UP						
	2460192		P-UB-10	1-1/2	3	CTC-2350354	54.98
MODEL 305E2							
BLADE							
	H5M1-UP						
	3976962		P-UB-1	40 mm		CTC-4610859	138.58
	3976962		N-N-10		70 mm	CTC-4610860	104.42
	3976962		Cushion Kit			CTC-4610861	5.60
	3976965		P-UB-1	55 mm		CTC-4610668	184.88
	3976965		N-N-10		90 mm	CTC-4610669	209.62
BOOM							
	H5M1-UP						
	3976970		P-UB-1	55 mm		CTC-4610642	212.88
	3976970		N-N-10		100 mm	CTC-4610643	120.10
	3976970		Cushion Kit			CTC-4610644	4.67
	3976974		P-UB-1	55 mm		CTC-4610642	212.88
	3976974		N-N-10		100 mm	CTC-4610643	120.10
	3976974		Cushion Kit			CTC-4610644	4.67
	5127559		P-UB-1	55 mm		CTC-4610642	212.88
	5127559		N-N-10		100 mm	CTC-4610643	120.10
	5127559		Cushion Kit			CTC-4610644	4.67
	5127560		P-UB-1	55 mm		CTC-4610642	212.88
	5127560		N-N-10		100 mm	CTC-4610643	120.10
	5127560		Cushion Kit			CTC-4610644	4.67
BUCKET							
	H5M1-UP						
	3976980		P-UB-1	45 mm		CTC-3750749	178.68
	3976980		N-N-10		75 mm	CTC-3750750	78.78
	3976980		Cushion Kit			CTC-3750751	4.12
QUICK COUPLER							
	H5M1-UP						
	4556016		I-U-11	3/4	1 1/4	CTC-3611078	230.74
STICK							
	H5M1-UP						
	3976985		P-UB-1	50 mm		CTC-4610023	127.71
	3976985		N-N-10		85 mm	CTC-4515100	46.38
	3976985		Cushion Kit			CTC-4610021	14.46
SWING BOOM							
	H5M1-UP						
	3976976		P-UB-1	55 mm		CTC-4610668	184.88
	3976976		N-N-10		90 mm	CTC-4610669	209.62
THUMB							
	H5M1-UP						
	2688225		P-U-10	1 3/4	3	CTC-2782263	98.00
	2688225		Bushing	1-3/4		CTC-2782262	18.35
TRACK ADJUSTER							
	H5M1-UP						
	5239563		TRK ADJ			CTC-SK100191	7.80
	5239564		TRK ADJ			CTC-SK100191	7.80

REPLACEMENT KITS FOR CATERPILLAR® EQUIPMENT

Excavators - Compact							
APPLICATION	CYL #	Misc-Parts, Instructions, etc.	CODE	ROD	BORE	KIT #	List \$
MODEL 305E2 CR							
BLADE							
BZ51-UP; DF51-UP; PYR1-UP; R5C1-UP							
4610517			P-U-10	55 mm	90 mm	CTC-4812718	311.75
4610517			Bushing	55 mm		CTC-4800652	27.61
DJX1-UP							
3976962			P-UB-1	40 mm		CTC-4610859	138.58
3976962			N-N-10		70 mm	CTC-4610860	104.42
3976962			Cushion Kit			CTC-4610861	5.60
3976965			P-UB-1	55 mm		CTC-4610668	184.88
3976965			N-N-10		90 mm	CTC-4610669	209.62
BOOM							
BZ51-UP; PYR1-UP							
4610509			P-U-10	55 mm	95 mm	CTC-4812715	331.72
4610509			Bushing	55 mm		CTC-4800652	27.61
5023496			P-U-10	55 mm	95 mm	CTC-4812715	331.72
5023496			Bushing	55 mm		CTC-4800652	27.61
DF51-UP; R5C1-UP							
4610518			P-U-10	55 mm	95 mm	CTC-4812715	331.72
4610518			Bushing	55 mm		CTC-4800652	27.61
DJX1-UP							
3976969			P-UB-1	55 mm		CTC-4609933	257.63
3976969			N-N-10		95 mm	CTC-4609935	97.82
3976969			Cushion Kit			CTC-4609936	5.15
3976970			P-UB-1	55 mm		CTC-4610642	212.88
3976970			N-N-10		100 mm	CTC-4610643	120.10
3976970			Cushion Kit			CTC-4610644	4.67
3976973			P-UB-1	55 mm		CTC-4609933	257.63
3976973			N-N-10		95 mm	CTC-4609935	97.82
3976973			Cushion Kit			CTC-4609936	5.15
3976974			P-UB-1	55 mm		CTC-4610642	212.88
3976974			N-N-10		100 mm	CTC-4610643	120.10
3976974			Cushion Kit			CTC-4610644	4.67
BUCKET							
BZ51-UP; DF51-UP; PYR1-UP; R5C1-UP							
4610511			P-U-10	45 mm	75 mm	CTC-4812717	254.10
4610511			Bushing	45 mm		CTC-3147387	24.93
DJX1-UP							
3976980			P-UB-1	45 mm		CTC-3750749	178.68
3976980			N-N-10		75 mm	CTC-3750750	78.78
3976980			Cushion Kit			CTC-3750751	4.12
BUCKET TILT							
DJX1-UP							
2460192			P-UB-10	1-1/2	3	CTC-2350354	54.98
QUICK COUPLER							
DJX1-UP							
4556016			I-U-11	3/4	1 1/4	CTC-3611078	230.74
DJX1-UP; PYR1-UP							
3611077			I-U-11	3/4	1 1/4	CTC-3611078	230.74
PYR1-UP; R5C1-UP							
4855288			I-U-10	3/4	1-1/4	CTC-4855282	279.18
4855288			Valve Kit			CTC-4999314	83.17
STICK							
BZ51-UP; PYR1-UP							
4610510			P-U-10	50 mm	85 mm	CTC-4812716	350.37
4610510			Bushing	50 mm		CTC-3111031	25.26

REPLACEMENT KITS FOR CATERPILLAR® EQUIPMENT

Excavators - Compact							
APPLICATION	CYL #	Misc-Parts, Instructions, etc.	CODE	ROD	BORE	KIT #	List \$
MODEL 305E2 CR							
STICK							
DF51-UP; R5C1-UP							
4610519			P-U-10	50 mm	85 mm	CTC-4812716	350.37
4610519			Bushing	50 mm		CTC-3111031	25.26
DJX1-UP							
3976985			P-UB-1	50 mm		CTC-4610023	127.71
3976985			N-N-10		85 mm	CTC-4515100	46.38
3976985			Cushion Kit			CTC-4610021	14.46
SWING BOOM							
BZ51-UP; DF51-UP; PYR1-UP; R5C1-UP							
4610512			P-U-10	55 mm	90 mm	CTC-4812718	311.75
4610512			Bushing	55 mm		CTC-4800652	27.61
DJX1-UP							
3976976			P-UB-1	55 mm		CTC-4610668	184.88
3976976			N-N-10		90 mm	CTC-4610669	209.62
THUMB							
DJX1-UP							
2688225			P-U-10	1 3/4	3	CTC-2782263	98.00
2688225			Bushing	1-3/4		CTC-2782262	18.35
TRACK ADJUSTER							
BZ51-UP; DF51-UP; PYR1-UP; R5C1-UP							
3771230			TRK ADJ			CTC-SK100192	7.05
3771239			TRK ADJ			CTC-SK100192	7.05
DJX1-UP							
4155192			TRK ADJ			CTC-SK100191	7.80
4155193			TRK ADJ			CTC-SK100191	7.80
4691393			TRK ADJ			CTC-SK100191	7.80
4691394			TRK ADJ			CTC-SK100191	7.80
5239563			TRK ADJ			CTC-SK100191	7.80
5239564			TRK ADJ			CTC-SK100191	7.80
MODEL 306 CR							
BLADE							
6G61-UP							
5429969			P-UB-10	60 mm	110 mm	CTC-5834284	136.98
6G61-UP; 6W61-UP							
3976962			P-UB-1	40 mm		CTC-4610859	138.58
3976962			N-N-10		70 mm	CTC-4610860	104.42
3976962			Cushion Kit			CTC-4610861	5.60
5394692			P-UB-10	60 mm	110 mm	CTC-5834285	153.20
BOOM							
6G61-UP							
5367969			P-UB-10	70 mm	115 mm	CTC-5834276	161.60
6G61-UP; 6W61-UP							
5367968			P-UB-10	70 mm	115 mm	CTC-5834276	161.60
6070890			P-UB-10	70 mm	115 mm	CTC-5834276	161.60
BOOM SWING							
6G61-UP							
5367973			P-UB-10	55 mm	90 mm	CTC-5834280	117.40
6G61-UP; 6W61-UP							
6047685			P-UB-10	55 mm	90 mm	CTC-5834280	117.40
BUCKET							
6G61-UP							
5622803			P-U-10	30 mm	60 mm	CTC-5799491	107.79
6G61-UP; 6W61-UP							
5641765			P-UB-10	50 mm	80 mm	CTC-5834283	187.62
5660409			P-U-10	30 mm	60 mm	CTC-5918076	121.44

REPLACEMENT KITS FOR CATERPILLAR® EQUIPMENT

Excavators - Compact							
APPLICATION	CYL #	Misc-Parts, Instructions, etc.	CODE	ROD	BORE	KIT #	List \$
MODEL 306 CR							
COUPLER							
6G61-UP; 6W61-UP							
4855288			I-U-10	3/4	1-1/4	CTC-4855282	279.18
4855288			Valve Kit			CTC-4999314	83.17
STICK							
6G61-UP							
5367970			P-UB-10	55 mm	90 mm	CTC-5834278	129.18
5367971			P-UB-10	55 mm	90 mm	CTC-5834278	129.18
6G61-UP; 6W61-UP							
5757059			P-UB-10	55 mm	90 mm	CTC-5834278	129.18
5757060			P-UB-10	55 mm	90 mm	CTC-5834278	129.18
6W61-UP							
6083244			P-UB-10	45 mm	90 mm	CTC-6094296	124.94
THUMB							
6G61-UP; 6W61-UP							
2688225			P-U-10	1 3/4	3	CTC-2782263	98.00
5206109			I-U-10	45 mm	75 mm	CTC-5776166	93.87
TILT LH							
6G61-UP							
4388392			P-U-10	35 mm	75 mm	CTC-5890405	113.90
TILT RH							
6G61-UP							
4388391			P-U-10	35 mm	75 mm	CTC-5890405	113.90
MODEL 308 CR							
BLADE							
GK81-UP; GP81-UP; GW81-UP; GX81-UP							
3741857			I-UB-1	80 mm		CTC-4185330	307.53
3741857			N-N-10		120 mm	CTC-4185332	85.17
BOOM							
GG81-UP; GW81-UP							
5155481			P-UB-10	70 mm	115 mm	CTC-5661336	175.54
5155482			P-UB-10	70 mm	115 mm	CTC-5661336	175.54
GK81-UP							
5177284			P-UB-10	55 mm	100 mm	CTC-5487528	142.03
5240078			P-UB-10	75 mm	120 mm	CTC-5289375	181.94
5240079			P-UB-10	75 mm	120 mm	CTC-5289375	181.94
GP81-UP; GX81-UP							
5240075			P-UB-10	70 mm	110 mm	CTC-5690649	168.50
BOOM VAR ADJ							
GG81-UP; GW81-UP							
5198850			P-UB-10	55 mm	100 mm	CTC-5661346	128.66
5263982			P-UB-10	75 mm	110 mm	CTC-5661350	188.56
BUCKET							
GG81-UP; GP81-UP; GW81-UP; GX81-UP							
5212883			P-UB-10	55 mm	85 mm	CTC-5659464	121.94
GK81-UP; GX81-UP							
5240084			P-UB-10	60 mm	85 mm	CTC-5487522	127.55
COUPLER							
GG81-UP; GW81-UP; GX81-UP							
4855289			I-U-10	3/4	1-1/4	CTC-4855284	140.93
4855289			Valve Kit			CTC-4999314	83.17
STICK							
GG81-UP							
5958786			P-UB-10	60 mm	95 mm	CTC-5444207	132.85
GG81-UP; GP81-UP; GW81-UP; GX81-UP							
5240077			P-UB-10	60 mm	95 mm	CTC-5444207	132.85

REPLACEMENT KITS FOR CATERPILLAR® EQUIPMENT

Excavators - Compact							
APPLICATION	CYL #	Misc-Parts, Instructions, etc.	CODE	ROD	BORE	KIT #	List \$
MODEL 308 CR							
STICK							
GK81-UP							
	5240082		P-UB-10	70 mm	100 mm	CTC-5289380	151.81
	5240083		P-UB-10	70 mm	100 mm	CTC-5289380	151.81
SWING BOOM							
GG81-UP; GW81-UP							
	5155483		P-UB-10	65 mm	110 mm	CTC-5661340	152.22
THUMB							
GG81-UP							
	3056171		I-U-10	50 mm	70 mm	CTC-2764172	75.16
	3056716		I-U-10	50 mm	70 mm	CTC-2764172	75.16
MODEL 308E							
BLADE							
GBJ1-UP							
	3760176		P-UB-14	80 mm	120 mm	CTC-3825845	255.14
TAZ1-UP							
	3741857		I-UB-1	80 mm		CTC-4185330	307.53
	3741857		N-N-10		120 mm	CTC-4185332	85.17
BOOM							
GBJ1-UP							
	3884093		P-UB-10	70 mm	110 mm	CTC-3914638	207.04
GBJ221-UP							
	3760172		P-UB-10	70 mm	110 mm	CTC-3825775	279.38
	4417702		P-UB-10	70 mm	110 mm	CTC-SK100189	268.68
BUCKET							
GBJ1-UP							
	3760174		P-UB-10	55 mm	85 mm	CTC-3825827	177.75
	4417706		P-UB-10	55 mm	85 mm	CTC-SK100188	138.89
COUPLER							
GBJ1-UP							
	4555975		I-U-15	3/4	1-1/4	CTC-3611131	66.36
STICK							
GBJ1-UP							
	3760173		P-UB-10	60 mm	95 mm	CTC-3825802	195.01
	3884094		P-UB-10	60 mm	95 mm	CTC-3825822	203.09
SWING BOOM							
GBJ1-UP							
	3760175		P-UB-10	65 mm	110 mm	CTC-3825860	213.98
THUMB							
GBJ1-UP							
	3056717		I-U-10	50 mm	70 mm	CTC-2764172	75.16
MODEL 308E CR							
BLADE							
HAM1-UP							
	3760176		P-UB-14	80 mm	120 mm	CTC-3825845	255.14
HEL1-UP							
	3760176		P-UB-14	80 mm	120 mm	CTC-3825845	255.14
BOOM							
HAM1-UP							
	3927693		P-UB-10	70 mm	110 mm	CTC-4286802	213.89
HEL1-UP							
	3927692		P-UB-10	70 mm	110 mm	CTC-3825775	279.38
	4417727		P-UB-10	70 mm	110 mm	CTC-SK100189	268.68
BUCKET							
HAM1-UP							
	3760174		P-UB-10	55 mm	85 mm	CTC-3825827	177.75

REPLACEMENT KITS FOR CATERPILLAR® EQUIPMENT

Excavators - Compact							
APPLICATION	CYL #	Misc-Parts, Instructions, etc.	CODE	ROD	BORE	KIT #	List \$
MODEL 308E CR							
BUCKET							
HEL1-UP							
	3760174		P-UB-10	55 mm	85 mm	CTC-3825827	177.75
	4417706		P-UB-10	55 mm	85 mm	CTC-SK100188	138.89
STICK							
HAM1-UP							
	3384094		P-UB-10	60 mm	95 mm	CTC-3825822	203.09
HEL1-UP							
	3760173		P-UB-10	60 mm	95 mm	CTC-3825802	195.01
MODEL 308E2 CR							
BLADE							
EC21-UP							
	3760176		P-UB-14	80 mm	120 mm	CTC-3825845	255.14
FJX1-UP							
	3760176		P-UB-14	80 mm	120 mm	CTC-3825845	255.14
MY21-UP							
	3760176		P-UB-14	80 mm	120 mm	CTC-3825845	255.14
TMX1-UP							
	3760176		P-UB-14	80 mm	120 mm	CTC-3825845	255.14
BOOM							
EC21-UP							
	4417729		P-UB-10	70 mm	110 mm	CTC-SK100189	268.68
	4417735		P-UB-10	70 mm	110 mm	CTC-4567244	423.06
FJX1-UP							
	3760172		P-UB-10	70 mm	110 mm	CTC-3825775	279.38
	4215336		P-UB-10	70 mm	110 mm	CTC-4215355	279.38
	4417702		P-UB-10	70 mm	110 mm	CTC-SK100189	268.68
MY21-UP							
	3927692		P-UB-10	70 mm	110 mm	CTC-3825775	279.38
	4417727		P-UB-10	70 mm	110 mm	CTC-SK100189	268.68
TMX1-UP							
	3760172		P-UB-10	70 mm	110 mm	CTC-3825775	279.38
	4350781		P-UB-10	70 mm	110 mm	CTC-4215355	279.38
	4417702		P-UB-10	70 mm	110 mm	CTC-SK100189	268.68
BUCKET							
EC21-UP							
	3760174		P-UB-10	55 mm	85 mm	CTC-3825827	177.75
	4417706		P-UB-10	55 mm	85 mm	CTC-SK100188	138.89
FJX1-UP							
	3760174		P-UB-10	55 mm	85 mm	CTC-3825827	177.75
	4417706		P-UB-10	55 mm	85 mm	CTC-SK100188	138.89
MY21-UP							
	3760174		P-UB-10	55 mm	85 mm	CTC-3825827	177.75
	4417706		P-UB-10	55 mm	85 mm	CTC-SK100188	138.89
TMX1-UP							
	3760174		P-UB-10	55 mm	85 mm	CTC-3825827	177.75
	4417706		P-UB-10	55 mm	85 mm	CTC-SK100188	138.89
COUPLER							
FJX1-UP							
	3611139		I-U-15	3/4	1-1/4	CTC-3611131	66.36
	4555975		I-U-15	3/4	1-1/4	CTC-3611131	66.36
TMX1-UP							
	4555975		I-U-15	3/4	1-1/4	CTC-3611131	66.36
STICK							
EC21-UP							
	4417711		P-UB-10	60 mm	95 mm	CTC-SK100190	163.36

CATERPILLAR®

REPLACEMENT KITS FOR CATERPILLAR® EQUIPMENT

Excavators - Compact							
APPLICATION	CYL #	Misc-Parts, Instructions, etc.	CODE	ROD	BORE	KIT #	List \$
MODEL 308E2 CR							
STICK							
FJX1-UP							
3760173			P-UB-10	60 mm	95 mm	CTC-3825802	195.01
4215337			P-UB-10	60 mm	95 mm	CTC-4220706	203.09
MY21-UP							
3760173			P-UB-10	60 mm	95 mm	CTC-3825802	195.01
TMX1-UP							
3760173			P-UB-10	60 mm	95 mm	CTC-3825802	195.01
4215337			P-UB-10	60 mm	95 mm	CTC-4220706	203.09
SWING BOOM							
FJX1-UP							
3760175			P-UB-10	65 mm	110 mm	CTC-3825860	213.98
TMX1-UP							
3760175			P-UB-10	65 mm	110 mm	CTC-3825860	213.98
THUMB							
FJX1-UP							
3053717			I-U-10	50 mm	70 mm	CTC-2764172	75.16
3056716			I-U-10	50 mm	70 mm	CTC-2764172	75.16
TMX1-UP							
3056716			I-U-10	50 mm	70 mm	CTC-2764172	75.16
3056717			I-U-10	50 mm	70 mm	CTC-2764172	75.16
MODEL 309 CR							
BLADE							
GG91-UP; GW91-UP							
3741857			I-UB-1	80 mm		CTC-4185330	307.53
3741857			N-N-10		120 mm	CTC-4185332	85.17
BLADE LH							
GG91-UP; GW91-UP							
5665630			P-UB-10	60 mm	90 mm	CTC-5661344	147.69
BLADE RH							
GG91-UP; GW91-UP							
5665629			P-UB-10	60 mm	90 mm	CTC-5661344	147.69
BOOM							
GG91-UP; GW91-UP							
5155481			P-UB-10	70 mm	115 mm	CTC-5661336	175.54
5155482			P-UB-10	70 mm	115 mm	CTC-5661336	175.54
5198850	Var Adj		P-UB-10	55 mm	100 mm	CTC-5661346	128.66
5263982	Var Adj		P-UB-10	75 mm	110 mm	CTC-5661350	188.56
BUCKET							
GG91-UP; GW91-UP							
5212883			P-UB-10	55 mm	85 mm	CTC-5659464	121.94
COUPLER							
GG91-UP; GW91-UP							
4855289			I-U-10	3/4	1-1/4	CTC-4855284	140.93
4855289			Valve Kit			CTC-4999314	83.17
STICK							
GG91-UP							
5958786			P-UB-10	60 mm	95 mm	CTC-5444207	132.85
GG91-UP; GW91-UP							
5240076			P-UB-10	60 mm	95 mm	CTC-5444207	132.85
5240077			P-UB-10	60 mm	95 mm	CTC-5444207	132.85
SWING BOOM							
GG91-UP; GW91-UP							
5155483			P-UB-10	65 mm	110 mm	CTC-5661340	152.22

REPLACEMENT KITS FOR CATERPILLAR® EQUIPMENT

Excavators - Compact							
APPLICATION	CYL #	Misc-Parts, Instructions, etc.	CODE	ROD	BORE	KIT #	List \$
MODEL 309 CR							
THUMB							
	GG91-UP						
	3056716		I-U-10	50 mm	70 mm	CTC-2764172	75.16
	3056717		I-U-10	50 mm	70 mm	CTC-2764172	75.16
MODEL 310							
BLADE LH							
	GWT1-UP						
	5189057		P-UB-10	60 mm	90 mm	CTC-5661344	147.69
	5665630		P-UB-10	60 mm	90 mm	CTC-5661344	147.69
BLADE RH							
	GWT1-UP						
	5155494		P-UB-10	60 mm	90 mm	CTC-5661344	147.69
	5665629		P-UB-10	60 mm	90 mm	CTC-5661344	147.69
BOOM LH							
	GWT1-UP						
	5155489		P-UB-10	65 mm	95 mm	CTC-5662718	153.43
	5155490		P-UB-10	65 mm	95 mm	CTC-5662718	153.43
BOOM RH							
	GWT1-UP						
	5189055		P-UB-10	65 mm	95 mm	CTC-5662718	153.43
	5189056		P-UB-10	65 mm	95 mm	CTC-5662718	153.43
BUCKET							
	GWT1-UP						
	5155493		P-UB-10	65 mm	85 mm	CTC-5662722	150.24
COUPLER							
	GWT1-UP						
	4855295		I-U-15	1	2	CTC-4855264	26.88
	4855295		Valve Kit			CTC-4999314	83.17
STICK							
	GWT1-UP						
	5638695		P-UB-10	70 mm	105 mm	CTC-5662730	151.89
	5638696		P-UB-10	70 mm	105 mm	CTC-5662730	151.89
	5757049		P-UB-10	70 mm	105 mm	CTC-5662730	151.89
THUMB							
	GWT1-UP						
	3056716		I-U-10	50 mm	70 mm	CTC-2764172	75.16
Excavators - Front-Shovel							
APPLICATION	CYL #	Misc-Parts, Instructions, etc.	CODE	ROD	BORE	KIT #	List \$
MODEL 5080							
BOOM							
	4I3915		P-UB-10	130 mm	180 mm	CTC-0875407	636.93
STICK							
	6E4272		P-UB-10	150 mm	220 mm	CTC-1560627	933.35
MODEL 5110							
BUCKET							
	6E0020		P-UB-10	150 mm	220 mm	CTC-1560627	933.35
MODEL 5230, 5230B							
BUCKET							
	6E6435		P-UB-10	3-1/2	7-1/4	CTC-1309483	453.24
Excavators - Wheel							
APPLICATION	CYL #	Misc-Parts, Instructions, etc.	CODE	ROD	BORE	KIT #	List \$
MODEL M315							
BOOM							
	1134979		P-UB-10	80 mm	110 mm	CTC-1247009	355.42
	1134989		P-UB-10	80 mm	110 mm	CTC-1247009	355.42

REPLACEMENT KITS FOR CATERPILLAR® EQUIPMENT

Excavators - Wheel							
APPLICATION	CYL #	Misc-Parts, Instructions, etc.	CODE	ROD	BORE	KIT #	List \$
MODEL M315							
STICK							
	1141872		P-UB-10	80 mm	110 mm	CTC-1247009	355.42
	1586388		P-UB-10	75 mm	110 mm	CTC-1586389	335.47
MODEL M316							
BLADE							
			I-U-10	60 mm	100 mm	CTC-1183135	150.10
BOOM							
			I-U-15	60 mm	110 mm	CTC-1558421	117.45
			P-UB-10	75 mm	140 mm	CTC-2605319	507.37
COUPLER							
			I-U-5	40 mm	60 mm	CTC-2027897	66.15
STABILIZER							
			P-U-10	70 mm	130 mm	CTC-2000920	239.56
STICK							
			P-UB-10	80 mm	120 mm	CTC-2605316	184.66
MODEL M318							
BOOM							
	1112034		I-U-10	60 mm	100 mm	CTC-1183135	150.10
	1124231		P-UB-10	85 mm	120 mm	CTC-1247008	251.54
	1124241		P-UB-10	85 mm	120 mm	CTC-1247008	251.54
	1124243		P-UB-10	85 mm	160 mm	CTC-1247005	322.88
BUCKET							
	1124245		P-UB-10	80 mm	110 mm	CTC-1247007	417.07
MATERIAL HANDLER							
	1415981		P-UB-10	80 mm	110 mm	CTC-1247009	355.42
STICK							
	1124236		P-UB-10	85 mm	120 mm	CTC-1247008	251.54
MODEL M320							
BOOM							
	1279243		P-UB-10	100 mm	170 mm	CTC-1296156	308.58
	1283203		P-UB-10	95 mm	130 mm	CTC-7Y5147	478.17
BUCKET							
	0875633		P-UB-10	85 mm	120 mm	CTC-0875394	414.00
	0875633		P-UB-10	85 mm	120 mm	CTC-1184131	399.75
STICK							
	1279242		P-UB-10	100 mm	140 mm	CTC-0875387	546.61
	1386696		P-UB-10	85 mm	120 mm	CTC-1184131	399.75
Forestry - Excavators							
APPLICATION	CYL #	Misc-Parts, Instructions, etc.	CODE	ROD	BORE	KIT #	List \$
MODEL 568 FM LL							
BOOM							
	BRB1-UP						
			P-UB-10	110 mm	170 mm	CTC-2959894	659.14
			Bushing	110 mm		CTC-1140761	133.61
	YJX1-UP						
			P-UB-10	105 mm	150 mm	CTC-3249485	300.77
			Bushing	105 mm		CTC-1140760	84.03
BUCKET							
	BRB1-UP						
			P-UB-10	110 mm	160 mm	CTC-2344674	353.14
			P-UB-10	105 mm	150 mm	CTC-3087824	344.80
			Bushing	105 mm		CTC-1140760	84.03
			Bushing	110 mm		CTC-1140762	125.08
	YJX1-UP						
			P-UB-10	105 mm	150 mm	CTC-3249485	300.77
			Bushing	105 mm		CTC-1140760	84.03

REPLACEMENT KITS FOR CATERPILLAR® EQUIPMENT

Forestry - Excavators							
APPLICATION	CYL #	Misc-Parts, Instructions, etc.	CODE	ROD	BORE	KIT #	List \$
MODEL 568 FM LL							
CAB TILT							
		BRB1-UP; YJX1-UP					
			P-UB-10	2-1/4	5	CTC-2417578	101.85
GRAPPLE							
		BRB1-UP					
			P-UB-10	2-1/2	4	CTC-2167858	167.23
STICK							
		BRB1-UP					
			P-UB-10	130 mm	180 mm	CTC-SK100004	631.16
		YJX1-UP					
			P-UB-10	115 mm	170 mm	CTC-3198295	370.16
			Bushing	115 mm		CTC-1915644	119.24
TRACK ADJUSTER							
		BRB1-UP; YJX1-UP					
			TRACK ADJ			CTC-SK100014	136.40
Forestry - Forwarders							
APPLICATION	CYL #	Misc-Parts, Instructions, etc.	CODE	ROD	BORE	KIT #	List \$
MODEL 554							
STEERING							
		1AM1-UP; TGH1-UP					
		1602675	P-UB-10	2	3-1/2	CTC-2281778	124.32
MODEL 564							
STEERING							
		KBN1-UP					
			P-UB-10	2	3-1/2	CTC-2281778	124.32
MODEL 574							
STEERING							
		1FM220-222; 1FM224-UP; CZZ1-UP; RLS1-UP					
		1602675	P-UB-10	2	3-1/2	CTC-2281778	124.32
MODEL 574B							
STEERING							
		1FM220-222; 1FM224-UP; CZZ1-UP; RLS1-UP					
		1602675	P-UB-10	2	3-1/2	CTC-2281778	124.32
Forestry - Industrial Tractors							
APPLICATION	CYL #	Misc-Parts, Instructions, etc.	CODE	ROD	BORE	KIT #	List \$
MODEL TK371							
LIFT							
		WBG1-UP					
			P-UB-10	2-1/2	4	CTC-SK100007	72.36
STEERING							
		WBG1-UP					
			P-UB-10	1-3/4	3	CTC-2275350	53.51
TILT							
		WBG1-UP					
			P-UB-10,12	2-1/2	4	CTC-SK100008	484.24
MODEL TK381							
LIFT							
		WBH1-UP					
			P-UB-10	2-1/2	4	CTC-SK100007	72.36
STEERING							
		WBH1-UP					
			P-UB-10	1-3/4	3	CTC-2275350	53.51
TILT							
		WBH1-UP					
			P-UB-10,12	2-1/2	4	CTC-SK100008	484.24

REPLACEMENT KITS FOR CATERPILLAR® EQUIPMENT

Forestry - Knuckle Boom Loaders							
APPLICATION	CYL #	Misc-Parts, Instructions, etc.	CODE	ROD	BORE	KIT #	List \$
MODEL 539							
BOOM							
1PZ1-203							
	1747132		P-UB-10	4	6	CTC-2460658	543.59
STABILIZER							
1PZ1-203							
	1746063		P-UB-10	3-1/2	6	CTC-SK100011	239.21
STICK							
1PZ1-203							
	1747120		P-UB-10	4	6	CTC-2460658	543.59
Forestry - Track Feller Bunchers							
APPLICATION	CYL #	Misc-Parts, Instructions, etc.	CODE	ROD	BORE	KIT #	List \$
MODEL 511							
BOOM							
5111-UP							
			P-UB-10	95 mm	130 mm	CTC-1659419	361.73
			Bushing	95 mm		CTC-1289260	65.66
SAW TILT							
5111-UP							
	2545457		P-UB-10	95 mm	130 mm	CTC-1659419	361.73
	2545457		Bushing	95 mm		CTC-1289260	65.66
	2747480		P-UB-10	90 mm	130 mm	CTC-3446336	233.95
	2747480		Bushing	90 mm		CTC-1140758	63.28
STICK							
5111-UP							
			P-UB-10	95 mm	130 mm	CTC-1659419	361.73
			Bushing	95 mm		CTC-1289260	65.66
TRACK ADJUSTER							
5111-UP							
			TRACK ADJ			CTC-SK100013	87.33
MODEL 521							
BOOM							
5211-UP							
			P-UB-10	95 mm	130 mm	CTC-1659419	361.73
			Bushing	95 mm		CTC-1289260	65.66
SAW TILT							
5211-UP							
	2545457		P-UB-10	95 mm	130 mm	CTC-1659419	361.73
	2545457		Bushing	95 mm		CTC-1289260	65.66
	2747480		P-UB-10	90 mm	130 mm	CTC-3446336	233.95
	2747480		Bushing	90 mm		CTC-1140758	63.28
STICK							
5211-UP							
			P-UB-10	95 mm	130 mm	CTC-1659419	361.73
			Bushing	95 mm		CTC-1289260	65.66
TRACK ADJUSTER							
5211-UP							
			TRACK ADJ			CTC-SK100013	87.33
MODEL 521B							
BOOM							
F7B1-UP							
			P-UB-10	100 mm	140 mm	CTC-2478792	296.47
			P-UB-10	95 mm	160 mm	CTC-2521191	312.45
			Bushing	100 mm		CTC-1140757	77.11
			Bushing	95 mm		CTC-6C6093	70.66

REPLACEMENT KITS FOR CATERPILLAR® EQUIPMENT

Forestry - Track Feller Bunchers							
APPLICATION	CYL #	Misc-Parts, Instructions, etc.	CODE	ROD	BORE	KIT #	List \$
MODEL 521B							
SAW TILT							
	F7B1-UP						
			P-UB-10	90 mm	130 mm	CTC-3446336	233.95
			Bushing	90 mm		CTC-1140758	63.28
STICK							
	F7B1-UP						
			P-UB-10	95 mm	130 mm	CTC-1659419	361.73
			Bushing	95 mm		CTC-1289260	65.66
TRACK ADJUSTER							
	F7B1-UP						
			TRACK ADJ			CTC-SK100014	136.40
MODEL 522							
BOOM							
	5221-UP						
			P-UB-10	95 mm	130 mm	CTC-1659419	361.73
			Bushing	95 mm		CTC-1289260	65.66
CAB TILT							
	5221-UP						
			P-UB-10	3-1/4	7	CTC-SK100010	316.46
SAW TILT							
	5221-UP						
	2545457		P-UB-10	95 mm	130 mm	CTC-1659419	361.73
	2545457		Bushing	95 mm		CTC-1289260	65.66
	2747480		P-UB-10	90 mm	130 mm	CTC-3446336	233.95
	2747480		Bushing	90 mm		CTC-1140758	63.28
STICK							
	5221-UP						
			P-UB-10	95 mm	130 mm	CTC-1659419	361.73
			Bushing	95 mm		CTC-1289260	65.66
TRACK ADJUSTER							
	5221-UP						
			TRACK ADJ			CTC-SK100013	87.33
MODEL 522B							
BOOM							
	F7C1-UP						
			P-UB-10	100 mm	140 mm	CTC-2478792	296.47
			P-UB-10	95 mm	160 mm	CTC-2521191	312.45
			Bushing	100 mm		CTC-1140757	77.11
			Bushing	95 mm		CTC-6C6093	70.66
CAB TILT							
	F7C1-UP						
			P-UB-10	3-1/4	7	CTC-2290334	286.81
SAW TILT							
	F7C1-UP						
			P-UB-10	90 mm	130 mm	CTC-3446336	233.95
			Bushing	90 mm		CTC-1140758	63.28
STICK							
	F7C1-UP						
			P-UB-10	95 mm	130 mm	CTC-1659419	361.73
			Bushing	95 mm		CTC-1289260	65.66
TRACK ADJUSTER							
	F7C1-UP						
			TRACK ADJ			CTC-SK100014	136.40

REPLACEMENT KITS FOR CATERPILLAR® EQUIPMENT

Forestry - Track Feller Bunchers							
APPLICATION	CYL #	Misc-Parts, Instructions, etc.	CODE	ROD	BORE	KIT #	List \$
MODEL 532							
BOOM							
5321-UP							
			P-UB-10	95 mm	130 mm	CTC-1659419	361.73
			Bushing	95 mm		CTC-1289260	65.66
CAB TILT							
5321-UP							
			P-UB-10	3-1/4	7	CTC-2290334	286.81
SAW TILT							
5321-UP							
	2545457		P-UB-10	95 mm	130 mm	CTC-1659419	361.73
	2545457		Bushing	95 mm		CTC-1289260	65.66
	2747480		P-UB-10	90 mm	130 mm	CTC-3446336	233.95
	2747480		Bushing	90 mm		CTC-1140758	63.28
STICK							
5321-UP							
			P-UB-10	95 mm	130 mm	CTC-1659419	361.73
			Bushing	95 mm		CTC-1289260	65.66
TRACK ADJUSTER							
5321-UP							
			TRACK ADJ			CTC-SK100014	136.40
MODEL 541							
BOOM							
5411-UP; F7D1-UP							
			P-UB-10	95 mm	130 mm	CTC-1659419	361.73
			P-UB-10	105 mm	150 mm	CTC-2481168	309.52
			Bushing	105 mm		CTC-1140760	84.03
			Bushing	95 mm		CTC-1289260	65.66
SAW TILT							
5411-UP; F7D1-UP							
			P-UB-10	105 mm	150 mm	CTC-2481168	309.52
			Bushing	105 mm		CTC-1140760	84.03
STICK							
5411-UP							
			P-UB-10	100 mm	140 mm	CTC-2159985	196.01
			Bushing	100 mm		CTC-1140757	77.11
5411-UP; F7D1-UP							
			P-UB-10	105 mm	150 mm	CTC-2481168	309.52
			Bushing	105 mm		CTC-1140760	84.03
F7D1-UP							
			P-UB-10	100 mm	140 mm	CTC-2478792	296.47
			Bushing	100 mm		CTC-1140757	77.11
TRACK ADJUSTER							
5411-UP; F7D1-UP							
			TRACK ADJ			CTC-SK100014	136.40
MODEL 541 II							
BOOM							
5411-UP; F7D1-UP							
			P-UB-10	95 mm	130 mm	CTC-1659419	361.73
			P-UB-10	105 mm	150 mm	CTC-2481168	309.52
			Bushing	105 mm		CTC-1140760	84.03
			Bushing	95 mm		CTC-1289260	65.66
SAW TILT							
5411-UP; F7D1-UP							
			P-UB-10	105 mm	150 mm	CTC-2481168	309.52
			Bushing	105 mm		CTC-1140760	84.03

REPLACEMENT KITS FOR CATERPILLAR® EQUIPMENT

Forestry - Track Feller Bunchers							
APPLICATION	CYL #	Misc-Parts, Instructions, etc.	CODE	ROD	BORE	KIT #	List \$
MODEL 541 II							
STICK							
5411-UP							
			P-UB-10	100 mm	140 mm	CTC-2159985	196.01
			Bushing	100 mm		CTC-1140757	77.11
5411-UP; F7D1-UP							
			P-UB-10	105 mm	150 mm	CTC-2481168	309.52
			Bushing	105 mm		CTC-1140760	84.03
F7D1-UP							
			P-UB-10	100 mm	140 mm	CTC-2478792	296.47
			Bushing	100 mm		CTC-1140757	77.11
TRACK ADJUSTER							
5411-UP; F7D1-UP							
			TRACK ADJ			CTC-SK100014	136.40
MODEL 551							
BOOM							
5511-UP							
			P-UB-10	95 mm	130 mm	CTC-1659419	361.73
			P-UB-10	105 mm	150 mm	CTC-2481168	309.52
			Bushing	105 mm		CTC-1140760	84.03
			Bushing	95 mm		CTC-1289260	65.66
SAW TILT							
5511-UP							
			P-UB-10	105 mm	150 mm	CTC-2481168	309.52
			Bushing	105 mm		CTC-1140760	84.03
STICK							
5511-UP							
			P-UB-10	100 mm	140 mm	CTC-2159985	196.01
			P-UB-10	105 mm	150 mm	CTC-2481168	309.52
			Bushing	100 mm		CTC-1140757	77.11
			Bushing	105 mm		CTC-1140760	84.03
TRACK ADJUSTER							
5511-UP							
			TRACK ADJ			CTC-SK100014	136.40
MODEL 552							
BOOM							
5521-UP; F7G1-UP							
			P-UB-10	95 mm	130 mm	CTC-1659419	361.73
			P-UB-10	105 mm	150 mm	CTC-2481168	309.52
			Bushing	105 mm		CTC-1140760	84.03
			Bushing	95 mm		CTC-1289260	65.66
CAB TILT							
5521-UP; F7G1-UP							
			P-UB-10	3-1/4	7	CTC-2290334	286.81
SAW TILT							
5521-UP; F7G1-UP							
			P-UB-10	105 mm	150 mm	CTC-2481168	309.52
			Bushing	105 mm		CTC-1140760	84.03
STICK							
5521-UP							
			P-UB-10	100 mm	140 mm	CTC-2159985	196.01
			Bushing	100 mm		CTC-1140757	77.11
5521-UP; F7G1-UP							
			P-UB-10	105 mm	150 mm	CTC-2481168	309.52
			Bushing	105 mm		CTC-1140760	84.03

REPLACEMENT KITS FOR CATERPILLAR® EQUIPMENT

Forestry - Track Feller Bunchers							
APPLICATION	CYL #	Misc-Parts, Instructions, etc.	CODE	ROD	BORE	KIT #	List \$
MODEL 552							
STICK							
F7G1-UP							
			P-UB-10	100 mm	140 mm	CTC-2478792	296.47
			Bushing	100 mm		CTC-1140757	77.11
TRACK ADJUSTER							
5521-UP; F7G1-UP							
			TRACK ADJ			CTC-SK100014	136.40
MODEL 552 II							
BOOM							
5521-UP; F7G1-UP							
			P-UB-10	95 mm	130 mm	CTC-1659419	361.73
			P-UB-10	105 mm	150 mm	CTC-2481168	309.52
			Bushing	105 mm		CTC-1140760	84.03
			Bushing	95 mm		CTC-1289260	65.66
CAB TILT							
5521-UP; F7G1-UP							
			P-UB-10	3-1/4	7	CTC-2290334	286.81
SAW TILT							
5521-UP; F7G1-UP							
			P-UB-10	105 mm	150 mm	CTC-2481168	309.52
			Bushing	105 mm		CTC-1140760	84.03
STICK							
5521-UP							
			P-UB-10	100 mm	140 mm	CTC-2159985	196.01
			Bushing	100 mm		CTC-1140757	77.11
5521-UP; F7G1-UP							
			P-UB-10	105 mm	150 mm	CTC-2481168	309.52
			Bushing	105 mm		CTC-1140760	84.03
F7G1-UP							
			P-UB-10	100 mm	140 mm	CTC-2478792	296.47
			Bushing	100 mm		CTC-1140757	77.11
TRACK ADJUSTER							
5521-UP; F7G1-UP							
			TRACK ADJ			CTC-SK100014	136.40
MODEL 1090							
BOOM							
BZJ1-UP							
			P-UB-10	95 mm	130 mm	CTC-1659419	361.73
			Bushing	95 mm		CTC-1289260	65.66
SAW TILT							
BZJ1-2109							
2159052			P-UB-10	95 mm	130 mm	CTC-1659419	361.73
2159052			Bushing	95 mm		CTC-1289260	65.66
2545457			P-UB-10	95 mm	130 mm	CTC-1659419	361.73
2545457			Bushing	95 mm		CTC-1289260	65.66
BZJ1-UP							
2747480			P-UB-10	90 mm	130 mm	CTC-3446336	233.95
2747480			Bushing	90 mm		CTC-1140758	63.28
STICK							
BZJ1-UP							
			P-UB-10	95 mm	130 mm	CTC-1659419	361.73
			Bushing	95 mm		CTC-1289260	65.66
TRACK ADJUSTER							
BZJ1-UP							
			TRACK ADJ			CTC-SK100013	87.33

REPLACEMENT KITS FOR CATERPILLAR® EQUIPMENT

Forestry - Track Feller Bunchers							
APPLICATION	CYL #	Misc-Parts, Instructions, etc.	CODE	ROD	BORE	KIT #	List \$
MODEL 1190							
BOOM							
		BZK1-UP; BZL1-UP					
			P-UB-10	95 mm	130 mm	CTC-1659419	361.73
			Bushing	95 mm		CTC-1289260	65.66
CAB TILT							
		BZL1-UP					
			P-UB-10	3-1/4	7	CTC-2290334	286.81
SAW TILT							
		BZK1-2159; BZL1-2209					
		2159052	P-UB-10	95 mm	130 mm	CTC-1659419	361.73
		2159052	Bushing	95 mm		CTC-1289260	65.66
		2545457	P-UB-10	95 mm	130 mm	CTC-1659419	361.73
		2545457	Bushing	95 mm		CTC-1289260	65.66
		BZK1-UP; BZL206-UP					
		2747480	P-UB-10	90 mm	130 mm	CTC-3446336	233.95
		2747480	Bushing	90 mm		CTC-1140758	63.28
STICK							
		BZK1-UP; BZL1-UP					
			P-UB-10	95 mm	130 mm	CTC-1659419	361.73
			Bushing	95 mm		CTC-1289260	65.66
TRACK ADJUSTER							
		BZK1-UP; BZL1-UP					
			TRACK ADJ			CTC-SK100013	87.33
MODEL 1190T							
BOOM							
		BZK1-UP; BZL1-UP					
			P-UB-10	95 mm	130 mm	CTC-1659419	361.73
			Bushing	95 mm		CTC-1289260	65.66
CAB TILT							
		BZL1-UP					
			P-UB-10	3-1/4	7	CTC-2290334	286.81
SAW TILT							
		BZK1-2159; BZL1-2209					
		2159052	P-UB-10	95 mm	130 mm	CTC-1659419	361.73
		2159052	Bushing	95 mm		CTC-1289260	65.66
		2545457	P-UB-10	95 mm	130 mm	CTC-1659419	361.73
		2545457	Bushing	95 mm		CTC-1289260	65.66
		BZK1-UP; BZL206-UP					
		2747480	P-UB-10	90 mm	130 mm	CTC-3446336	233.95
		2747480	Bushing	90 mm		CTC-1140758	63.28
STICK							
		BZK1-UP; BZL1-UP					
			P-UB-10	95 mm	130 mm	CTC-1659419	361.73
			Bushing	95 mm		CTC-1289260	65.66
TRACK ADJUSTER							
		BZK1-UP; BZL1-UP					
			TRACK ADJ			CTC-SK100013	87.33
MODEL 1290T							
BOOM							
		BZM1-UP					
			P-UB-10	95 mm	130 mm	CTC-1659419	361.73
			Bushing	95 mm		CTC-1289260	65.66
		BZM2260-UP					
			P-UB-10	95 mm	160 mm	CTC-2521191	312.45
			Bushing	95 mm		CTC-6C6093	70.66

REPLACEMENT KITS FOR CATERPILLAR® EQUIPMENT

Forestry - Track Feller Bunchers							
APPLICATION	CYL #	Misc-Parts, Instructions, etc.	CODE	ROD	BORE	KIT #	List \$
MODEL 1290T							
CAB TILT							
	BZM1-UP						
			P-UB-10	3-1/4	7	CTC-2290334	286.81
SAW TILT							
	BZM1-UP						
	2159052		P-UB-10	95 mm	130 mm	CTC-1659419	361.73
	2159052		Bushing	95 mm		CTC-1289260	65.66
	2545457		P-UB-10	95 mm	130 mm	CTC-1659419	361.73
	2545457		Bushing	95 mm		CTC-1289260	65.66
	BZM2260-UP						
	2747480		P-UB-10	90 mm	130 mm	CTC-3446336	233.95
	2747480		Bushing	90 mm		CTC-1140758	63.28
STICK							
	BZM1-UP						
			P-UB-10	95 mm	130 mm	CTC-1659419	361.73
			Bushing	95 mm		CTC-1289260	65.66
TRACK ADJUSTER							
	BZM1-UP						
			TRACK ADJ			CTC-SK100014	136.40
MODEL 1390							
BOOM							
	B3F1-UP						
			P-UB-10	95 mm	130 mm	CTC-1659419	361.73
			P-UB-10	105 mm	150 mm	CTC-2481168	309.52
			Bushing	105 mm		CTC-1140760	84.03
			Bushing	95 mm		CTC-1289260	65.66
SAW TILT							
	B3F1-UP						
			P-UB-10	105 mm	150 mm	CTC-2481168	309.52
			Bushing	105 mm		CTC-1140760	84.03
STICK							
	B3F1-UP						
			P-UB-10	95 mm	130 mm	CTC-1659419	361.73
			P-UB-10	100 mm	140 mm	CTC-2159985	196.01
			P-UB-10	105 mm	150 mm	CTC-2481168	309.52
			Bushing	100 mm		CTC-1140757	77.11
			Bushing	105 mm		CTC-1140760	84.03
			Bushing	95 mm		CTC-1289260	65.66
TRACK ADJUSTER							
	B3F1-2309						
			TRACK ADJ			CTC-SK100013	87.33
	B3F2310-UP						
			TRACK ADJ			CTC-SK100015	160.90
MODEL 2290							
BOOM							
	P2D1-UP						
			P-UB-10	95 mm	130 mm	CTC-1659419	361.73
			Bushing	95 mm		CTC-1289260	65.66
SAW TILT							
	P2D1-UP						
			P-UB-10	90 mm	130 mm	CTC-3446336	233.95
			Bushing	90 mm		CTC-1140758	63.28
STICK							
	P2D1-UP						
			P-UB-10	95 mm	130 mm	CTC-1659419	361.73
			Bushing	95 mm		CTC-1289260	65.66

REPLACEMENT KITS FOR CATERPILLAR® EQUIPMENT

Forestry - Track Feller Bunchers							
APPLICATION	CYL #	Misc-Parts, Instructions, etc.	CODE	ROD	BORE	KIT #	List \$
MODEL 2290							
TRACK ADJUSTER							
	P2D1-UP		TRACK ADJ			CTC-SK100013	87.33
MODEL 2390							
BOOM							
	P3H250-UP		P-UB-10	95 mm	130 mm	CTC-1659419	361.73
			Bushing	95 mm		CTC-1289260	65.66
SAW TILT							
	P3H250-UP		P-UB-10	90 mm	130 mm	CTC-3446336	233.95
			Bushing	90 mm		CTC-1140758	63.28
STICK							
	P3H250-UP		P-UB-10	95 mm	130 mm	CTC-SK100003	303.81
TRACK ADJUSTER							
	P3H250-UP		TRACK ADJ			CTC-SK100013	87.33
MODEL 2391							
BOOM							
	P4K1-UP		P-UB-10	95 mm	130 mm	CTC-1659419	361.73
			Bushing	95 mm		CTC-1289260	65.66
CAB TILT							
	P4K1-UP		P-UB-10	3-1/4	7	CTC-2290334	286.81
SAW TILT							
	P4K1-UP		P-UB-10	90 mm	130 mm	CTC-3446336	233.95
			Bushing	90 mm		CTC-1140758	63.28
STICK							
	P4K1-UP		P-UB-10	95 mm	130 mm	CTC-SK100003	303.81
TRACK ADJUSTER							
	P4K1-UP		TRACK ADJ			CTC-SK100013	87.33
MODEL 2491							
BOOM							
	P5J1-UP		P-UB-10	95 mm	130 mm	CTC-1659419	361.73
			Bushing	95 mm		CTC-1289260	65.66
CAB TILT							
	P5J1-UP		P-UB-10	3-1/4	7	CTC-2290334	286.81
SAW TILT							
	P5J1-UP		P-UB-10	90 mm	130 mm	CTC-3446336	233.95
			Bushing	90 mm		CTC-1140758	63.28
STICK							
	P5J1-UP		P-UB-10	95 mm	130 mm	CTC-1659419	361.73
			Bushing	95 mm		CTC-1289260	65.66
TRACK ADJUSTER							
	P5J1-UP		TRACK ADJ			CTC-SK100014	136.40

REPLACEMENT KITS FOR CATERPILLAR® EQUIPMENT

Forestry - Track Feller Bunchers							
APPLICATION	CYL #	Misc-Parts, Instructions, etc.	CODE	ROD	BORE	KIT #	List \$
MODEL 2590							
BOOM							
P6B1-UP							
			P-UB-10	95 mm	130 mm	CTC-1659419	361.73
			P-UB-10	105 mm	150 mm	CTC-2481168	309.52
			Bushing	105 mm		CTC-1140760	84.03
			Bushing	95 mm		CTC-1289260	65.66
SAW TILT							
P6B1-UP							
			P-UB-10	105 mm	150 mm	CTC-2481168	309.52
			Bushing	105 mm		CTC-1140760	84.03
STICK							
P6B1-UP							
			P-UB-10	100 mm	140 mm	CTC-2478792	296.47
			P-UB-10	105 mm	150 mm	CTC-2481168	309.52
			Bushing	100 mm		CTC-1140757	77.11
			Bushing	105 mm		CTC-1140760	84.03
TRACK ADJUSTER							
P6B1-UP							
			TRACK ADJ			CTC-SK100014	136.40
MODEL TK711							
BOOM							
1011-UP							
			P-UB-10	95 mm	130 mm	CTC-1659419	361.73
			Bushing	95 mm		CTC-1289260	65.66
SAW TILT							
1011-UP							
	2159052		P-UB-10	95 mm	130 mm	CTC-1659419	361.73
	2159052		Bushing	95 mm		CTC-1289260	65.66
	2545457		P-UB-10	95 mm	130 mm	CTC-1659419	361.73
	2545457		Bushing	95 mm		CTC-1289260	65.66
	2747480		P-UB-10	90 mm	130 mm	CTC-3446336	233.95
	2747480		Bushing	90 mm		CTC-1140758	63.28
STICK							
1011-UP							
			P-UB-10	95 mm	130 mm	CTC-1659419	361.73
			Bushing	95 mm		CTC-1289260	65.66
TRACK ADJUSTER							
1011-UP							
			TRACK ADJ			CTC-SK100013	87.33
MODEL TK721							
BOOM							
1021-UP							
			P-UB-10	95 mm	130 mm	CTC-1659419	361.73
			Bushing	95 mm		CTC-1289260	65.66
SAW TILT							
1021-UP							
	2159052		P-UB-10	95 mm	130 mm	CTC-1659419	361.73
	2159052		Bushing	95 mm		CTC-1289260	65.66
	2545457		P-UB-10	95 mm	130 mm	CTC-1659419	361.73
	2545457		Bushing	95 mm		CTC-1289260	65.66
	2747480		P-UB-10	90 mm	130 mm	CTC-3446336	233.95
	2747480		Bushing	90 mm		CTC-1140758	63.28
STICK							
1021-UP							
			P-UB-10	95 mm	130 mm	CTC-1659419	361.73
			Bushing	95 mm		CTC-1289260	65.66

REPLACEMENT KITS FOR CATERPILLAR® EQUIPMENT

Forestry - Track Feller Bunchers							
APPLICATION	CYL #	Misc-Parts, Instructions, etc.	CODE	ROD	BORE	KIT #	List \$
MODEL TK721							
TRACK ADJUSTER							
	1021-UP						
			TRACK ADJ			CTC-SK100013	87.33
MODEL TK722							
BOOM							
	1031-UP						
			P-UB-10	95 mm	130 mm	CTC-1659419	361.73
			Bushing	95 mm		CTC-1289260	65.66
CAB TILT							
	103445-UP						
			P-UB-10	3-1/4	7	CTC-2290334	286.81
SAW TILT							
	1031-UP						
	2159052		P-UB-10	95 mm	130 mm	CTC-1659419	361.73
	2159052		Bushing	95 mm		CTC-1289260	65.66
	2545457		P-UB-10	95 mm	130 mm	CTC-1659419	361.73
	2545457		Bushing	95 mm		CTC-1289260	65.66
	2747480		P-UB-10	90 mm	130 mm	CTC-3446336	233.95
	2747480		Bushing	90 mm		CTC-1140758	63.28
STICK							
	1031-UP						
			P-UB-10	95 mm	130 mm	CTC-1659419	361.73
			Bushing	95 mm		CTC-1289260	65.66
TRACK ADJUSTER							
	1031-UP						
			TRACK ADJ			CTC-SK100013	87.33
MODEL TK732							
BOOM							
	1041-UP						
			P-UB-10	95 mm	130 mm	CTC-1659419	361.73
			Bushing	95 mm		CTC-1289260	65.66
CAB TILT							
	104545-UP						
			P-UB-10	3-1/4	7	CTC-2290334	286.81
SAW TILT							
	1041-UP						
	2159052		P-UB-10	95 mm	130 mm	CTC-1659419	361.73
	2159052		Bushing	95 mm		CTC-1289260	65.66
	2545457		P-UB-10	95 mm	130 mm	CTC-1659419	361.73
	2545457		Bushing	95 mm		CTC-1289260	65.66
	2747480		P-UB-10	90 mm	130 mm	CTC-3446336	233.95
	2747480		Bushing	90 mm		CTC-1140758	63.28
STICK							
	1041-UP						
			P-UB-10	95 mm	130 mm	CTC-1659419	361.73
			Bushing	95 mm		CTC-1289260	65.66
TRACK ADJUSTER							
	1041-UP						
			TRACK ADJ			CTC-SK100014	136.40
MODEL TK741							
BOOM							
	2021-1204						
			P-UB-10	95 mm	130 mm	CTC-1659419	361.73
			P-UB-10	105 mm	150 mm	CTC-2481168	309.52
			Bushing	105 mm		CTC-1140760	84.03
			Bushing	95 mm		CTC-1289260	65.66

REPLACEMENT KITS FOR CATERPILLAR® EQUIPMENT

Forestry - Track Feller Bunchers							
APPLICATION	CYL #	Misc-Parts, Instructions, etc.	CODE	ROD	BORE	KIT #	List \$
MODEL TK741							
SAW TILT							
	2021-1204						
			P-UB-10	105 mm	150 mm	CTC-2481168	309.52
			Bushing	105 mm		CTC-1140760	84.03
STICK							
	2021-1204						
			P-UB-10	95 mm	130 mm	CTC-1659419	361.73
			P-UB-10	100 mm	140 mm	CTC-2159985	196.01
			P-UB-10	105 mm	150 mm	CTC-2481168	309.52
			Bushing	100 mm		CTC-1140757	77.11
			Bushing	105 mm		CTC-1140760	84.03
			Bushing	95 mm		CTC-1289260	65.66
TRACK ADJUSTER							
	2021-1204						
			TRACK ADJ			CTC-SK100013	87.33
MODEL TK751							
BOOM							
	3011-1114						
			P-UB-10	95 mm	130 mm	CTC-1659419	361.73
			P-UB-10	105 mm	150 mm	CTC-2481168	309.52
			Bushing	105 mm		CTC-1140760	84.03
			Bushing	95 mm		CTC-1289260	65.66
SAW TILT							
	3011-1114						
			P-UB-10	105 mm	150 mm	CTC-2481168	309.52
			Bushing	105 mm		CTC-1140760	84.03
STICK							
	3011-1114						
			P-UB-10	95 mm	130 mm	CTC-1659419	361.73
			P-UB-10	100 mm	140 mm	CTC-2159985	196.01
			P-UB-10	105 mm	150 mm	CTC-2481168	309.52
			Bushing	100 mm		CTC-1140757	77.11
			Bushing	105 mm		CTC-1140760	84.03
			Bushing	95 mm		CTC-1289260	65.66
TRACK ADJUSTER							
	3011-1114						
			TRACK ADJ			CTC-SK100014	136.40
MODEL TK752							
BOOM							
	3021-UP						
			P-UB-10	95 mm	130 mm	CTC-1659419	361.73
			P-UB-10	105 mm	150 mm	CTC-2481168	309.52
			Bushing	105 mm		CTC-1140760	84.03
			Bushing	95 mm		CTC-1289260	65.66
CAB TILT							
	3021-1144						
			P-UB-10	3-1/4	7	CTC-2290334	286.81
SAW TILT							
	3021-UP						
			P-UB-10	105 mm	150 mm	CTC-2481168	309.52
			Bushing	105 mm		CTC-1140760	84.03

REPLACEMENT KITS FOR CATERPILLAR® EQUIPMENT

Forestry - Track Feller Bunchers							
APPLICATION	CYL #	Misc-Parts, Instructions, etc.	CODE	ROD	BORE	KIT #	List \$
MODEL TK752							
STICK							
	3021-UP		P-UB-10	95 mm	130 mm	CTC-1659419	361.73
			P-UB-10	100 mm	140 mm	CTC-2159985	196.01
			P-UB-10	105 mm	150 mm	CTC-2481168	309.52
			Bushing	100 mm		CTC-1140757	77.11
			Bushing	105 mm		CTC-1140760	84.03
			Bushing	95 mm		CTC-1289260	65.66
TRACK ADJUSTER							
	3021-UP		TRACK ADJ			CTC-SK100014	136.40
Forestry - Track Skidder/Grapple Skidders							
APPLICATION	CYL #	Misc-Parts, Instructions, etc.	CODE	ROD	BORE	KIT #	List \$
MODEL 517							
ARCH LIFT							
	5WW1-UP						
	1607610		P-UB-10	2-1/2	4-3/4	CTC-2285272	142.10
	6E0366		P-UB-10	2-1/2	4-3/4	CTC-2285272	142.10
BOOM							
	5WW1-UP						
	2838423		P-UB-10	70 mm	140 mm	CTC-SK100005	449.69
DOZER ANGLING							
	5WW1-UP; 6PW1-UP; 7EH1-UP						
	1006174		P-UB-10	1-3/4	3-1/2	CTC-2401881	115.17
DOZER LIFT							
	5WW1-UP; 6PW1-UP; 7EH1-UP						
	6E0365		P-UB-10	2	4-1/4	CTC-2408523	92.17
DOZER TILT							
	5WW1-UP; 6PW1-UP; 7EH1-UP						
	9T9557		P-UB-10	2	4-1/4	CTC-2409939	225.33
GRAPPLE							
	5WW1-UP						
	2838424		P-UB-10	70 mm	140 mm	CTC-SK100005	449.69
MODEL 527							
ARCH LIFT							
	4NS1-UP						
	1607610		P-UB-10	2-1/2	4-3/4	CTC-2285272	142.10
	6E0366		P-UB-10	2-1/2	4-3/4	CTC-2285272	142.10
BOOM							
	4NS1-UP; JSR1-UP						
	2838423		P-UB-10	70 mm	140 mm	CTC-SK100005	449.69
DOZER ANGLING							
	2RS1-UP; 3DS1-UP; 4NS1-UP; BDW1-UP; JSR1-UP; PTR1-UP						
	1317192		P-UB-10	2-1/4	4-1/4	CTC-2417579	267.38
	PTR1-UP						
			P-UB-10	2	4	CTC-2409538	110.44
DOZER LIFT							
	2RS1-UP; 3DS1-UP; 4NS1-UP; BDW1-UP; JSR1-UP; PTR1-UP						
	1418640		P-UB-10	2-1/4	3-3/4	CTC-2350969	266.34
	6E0367		P-UB-10	2-1/4	4-1/2	CTC-3110662	110.21
DOZER TILT							
	2RS1-UP; 3DS1-UP; 4NS1-UP; BDW1-UP; JSR1-UP; PTR1-UP						
	9T9558		P-UB-10	2-1/4	4-3/4	CTC-2417580	266.14
GRAPPLE							
	4NS1-UP; JSR1-UP						
	2838424		P-UB-10	70 mm	140 mm	CTC-SK100005	449.69

REPLACEMENT KITS FOR CATERPILLAR® EQUIPMENT

Forestry - Track Skidders							
APPLICATION	CYL #	Misc-Parts, Instructions, etc.	CODE	ROD	BORE	KIT #	List \$
MODEL D5H							
ARCH LIFT							
	7EG1-UP						
	6E0366		P-UB-10	2-1/2	4-3/4	CTC-2285272	142.10
DOZER ANGLING							
	7EG1-UP						
	9T9273		P-UB-10	2	4	CTC-2339205	68.83
DOZER LIFT							
	7EG1-UP						
	6E0367		P-UB-10	2-1/4	4-1/2	CTC-3110662	110.21
DOZER TILT							
	7EG1-UP						
	9T9558		P-UB-10	2-1/4	4-3/4	CTC-2417580	266.14
GRAPPLE							
	7EG1-UP						
	1030258		P-UB-10	2	4	CTC-8C9353	94.63
	1030972		P-UB-10	2	4-1/2	CTC-8C9438	119.49
	1034254		P-UB-10	3	5	CTC-SK100012	205.40
	8C9412		P-UB-10	2	4	CTC-8C9353	94.63
	8C9429		P-UB-10	2	4-1/2	CTC-8C9438	119.49
Forestry - Tree Harvesters							
APPLICATION	CYL #	Misc-Parts, Instructions, etc.	CODE	ROD	BORE	KIT #	List \$
MODEL 550							
BOOM LIFT							
	7ZN1-UP; SAW1-UP						
	1602678		P-UB-10	2-1/2	4-1/4	CTC-2341951	264.60
PENDULUM ARM							
	7ZN1-UP; SAW1-UP						
	1602676		P-UB-10	2-1/2	4-3/4	CTC-2341948	144.97
	1602677		P-UB-10	2-1/2	4-3/4	CTC-2341948	144.97
STEERING							
	7ZN149-UP; SAW1-UP						
	1602675		P-UB-10	2	3-1/2	CTC-2281778	124.32
STICK							
	7ZN153-UP; SAW1-UP						
	1717597		P-UB-10	2-1/2	5-1/2	CTC-SK100009	117.41
MODEL 550B							
BOOM LIFT							
	7ZN1-UP; SAW1-UP						
	1602678		P-UB-10	2-1/2	4-1/4	CTC-2341951	264.60
PENDULUM ARM							
	7ZN1-UP; SAW1-UP						
	1602676		P-UB-10	2-1/2	4-3/4	CTC-2341948	144.97
	1602677		P-UB-10	2-1/2	4-3/4	CTC-2341948	144.97
STEERING							
	7ZN149-UP; SAW1-UP						
	1602675		P-UB-10	2	3-1/2	CTC-2281778	124.32
STICK							
	7ZN153-UP; SAW1-UP						
	1717597		P-UB-10	2-1/2	5-1/2	CTC-SK100009	117.41
MODEL 560B							
BOOM LIFT							
	TRA1-UP						
			P-UB-10	2-1/2	4-1/4	CTC-2341951	264.60
PENDULUM ARM							
	TRA1-UP						
			P-UB-10	2-1/2	4-3/4	CTC-2341948	144.97

REPLACEMENT KITS FOR CATERPILLAR® EQUIPMENT

Forestry - Tree Harvesters							
APPLICATION	CYL #	Misc-Parts, Instructions, etc.	CODE	ROD	BORE	KIT #	List \$
MODEL 560B							
STEERING							
	TRA1-UP						
			P-UB-10	2	3-1/2	CTC-2281778	124.32
STICK							
	TRA1-UP						
			P-UB-10	2-1/2	5-1/2	CTC-SK100009	117.41
MODEL 570							
BOOM LIFT							
	4XR1-UP; CKG1-UP						
	1602678		P-UB-10	2-1/2	4-1/4	CTC-2341951	264.60
PENDULUM ARM							
	4XR1-UP; CKG1-UP						
	1602676		P-UB-10	2-1/2	4-3/4	CTC-2341948	144.97
	1602677		P-UB-10	2-1/2	4-3/4	CTC-2341948	144.97
STEERING							
	4XR198-UP; CKG1-UP						
	1602675		P-UB-10	2	3-1/2	CTC-2281778	124.32
STICK							
	4XR198-UP; CKG1-UP						
	1717597		P-UB-10	2-1/2	5-1/2	CTC-SK100009	117.41
	2022488		P-UB-10	2-1/2	5-1/2	CTC-SK100009	117.41
MODEL 570B							
BOOM LIFT							
	4XR1-UP; CKG1-UP						
	1602678		P-UB-10	2-1/2	4-1/4	CTC-2341951	264.60
PENDULUM ARM							
	4XR1-UP; CKG1-UP						
	1602676		P-UB-10	2-1/2	4-3/4	CTC-2341948	144.97
	1602677		P-UB-10	2-1/2	4-3/4	CTC-2341948	144.97
STEERING							
	4XR198-UP; CKG1-UP						
	1602675		P-UB-10	2	3-1/2	CTC-2281778	124.32
STICK							
	4XR198-UP; CKG1-UP						
	1717597		P-UB-10	2-1/2	5-1/2	CTC-SK100009	117.41
	2022488		P-UB-10	2-1/2	5-1/2	CTC-SK100009	117.41
MODEL 580							
BOOM LIFT							
	7CN1-UP; CLT1-UP						
	1602678		P-UB-10	2-1/2	4-1/4	CTC-2341951	264.60
PENDULUM ARM							
	7CN1-UP; CLT1-UP						
	1602676		P-UB-10	2-1/2	4-3/4	CTC-2341948	144.97
	1602677		P-UB-10	2-1/2	4-3/4	CTC-2341948	144.97
STEERING							
	7CN173-UP; CLT1-UP						
	1602675		P-UB-10	2	3-1/2	CTC-2281778	124.32
STICK							
	7CN179-UP; CLT1-UP						
	1717597		P-UB-10	2-1/2	5-1/2	CTC-SK100009	117.41
	2022488		P-UB-10	2-1/2	5-1/2	CTC-SK100009	117.41
MODEL 580B							
BOOM LIFT							
	7CN1-UP; CLT1-UP						
	1602678		P-UB-10	2-1/2	4-1/4	CTC-2341951	264.60

CATERPILLAR®

REPLACEMENT KITS FOR CATERPILLAR® EQUIPMENT

Forestry - Tree Harvesters							
APPLICATION	CYL #	Misc-Parts, Instructions, etc.	CODE	ROD	BORE	KIT #	List \$
MODEL 580B							
PENDULUM ARM							
7CN1-UP; CLT1-UP							
	1602676		P-UB-10	2-1/2	4-3/4	CTC-2341948	144.97
	1602677		P-UB-10	2-1/2	4-3/4	CTC-2341948	144.97
STEERING							
7CN173-UP; CLT1-UP							
	1602675		P-UB-10	2	3-1/2	CTC-2281778	124.32
STICK							
7CN179-UP; CLT1-UP							
	1717597		P-UB-10	2-1/2	5-1/2	CTC-SK100009	117.41
	2022488		P-UB-10	2-1/2	5-1/2	CTC-SK100009	117.41
Forestry - Wheel Feller Bunchers							
APPLICATION	CYL #	Misc-Parts, Instructions, etc.	CODE	ROD	BORE	KIT #	List \$
MODEL 533							
LIFT							
CDR1-UP							
			P-UB-10	2-1/2	4	CTC-SK100007	72.36
STEERING							
CDR1-UP							
			P-UB-10	1-3/4	3	CTC-2275350	53.51
TILT							
CDR1-UP							
	2156717		P-UB-10	2-1/2	4	CTC-SK100007	72.36
	2249878		P-UB-10,12	2-1/2	4	CTC-SK100008	484.24
MODEL 543							
LIFT							
ASJ1-UP							
			P-UB-10	2-1/2	4	CTC-SK100007	72.36
STEERING							
ASJ1-UP							
			P-UB-10	1-3/4	3	CTC-2275350	53.51
TILT							
ASJ1-UP							
	2156717		P-UB-10	2-1/2	4	CTC-SK100007	72.36
	2249878		P-UB-10,12	2-1/2	4	CTC-SK100008	484.24
MODEL 553C							
LIFT							
PGR1-UP; W531-UP							
	3644635		P-UB-1	2-1/2		CTC-3770612	189.50
	3644635		N-N-14		4	CTC-3770613	87.33
SC-57 CENTER POST SAW ACCUMULATOR ARM							
A271-UP; PAW1-UP							
	3306045		P-UB-1	2		CTC-3469028	90.68
	3306045		N-N-14		3-1/2	CTC-3469030	75.72
SC-57 CENTER POST SAW GRAPPLE ARM							
A271-UP; PAW1-UP							
	3306045		P-UB-1	2		CTC-3469028	90.68
	3306045		N-N-14		3-1/2	CTC-3469030	75.72
SH-56B BUNCHING SAW ACCUMULATOR ARM							
A821-UP; PYW1-UP							
	3743574		P-UB-1	2		CTC-3707995	106.34
	3743574		N-N-14		3-1/2	CTC-3469030	75.72
SH-56B BUNCHING SAW GRAPPLE ARM							
A821-UP; PYW1-UP							
	3748220		P-UB-1	2		CTC-3707995	106.34
	3748220		N-N-14		3-1/2	CTC-3469030	75.72

REPLACEMENT KITS FOR CATERPILLAR® EQUIPMENT

Forestry - Wheel Feller Bunchers							
APPLICATION	CYL #	Misc-Parts, Instructions, etc.	CODE	ROD	BORE	KIT #	List \$
MODEL 553C							
SS-56 FELLING SAW ACCUMULATOR ARM							
1111-UP							
4351313			P-UB-1	2		CTC-3469028	90.68
4351313			N-N-14		3-1/2	CTC-3469030	75.72
SS-56 FELLING SAW GRAPPLE ARM							
1111-UP							
4351313			P-UB-1	2		CTC-3469028	90.68
4351313			N-N-14		3-1/2	CTC-3469030	75.72
SS-56 FELLING SAW GUARD							
1111-UP							
4351461			P-UB-1	1-1/2		CTC-4351466	111.22
4351461			N-N-14		3	CTC-3956781	92.67
STEERING							
PGR1-UP; W531-UP							
3644636			P-UB-1	2		CTC-3707995	106.34
3644636			N-N-14		3-1/2	CTC-4306989	201.17
TILT							
PGR1-UP; W531-UP							
3644634			P-UB-1	2-1/2		CTC-3770612	189.50
3644634			N-N-14		4	CTC-3770613	87.33
MODEL 563C							
LIFT							
JCB1-UP; W631-UP							
3644635			P-UB-1	2-1/2		CTC-3770612	189.50
3644635			N-N-14		4	CTC-3770613	87.33
SC-57 CENTER POST SAW ACCUMULATOR ARM							
A271-UP; PAW1-UP							
3306045			P-UB-1	2		CTC-3469028	90.68
3306045			N-N-14		3-1/2	CTC-3469030	75.72
SC-57 CENTER POST SAW GRAPPLE ARM							
A271-UP; PAW1-UP							
3306045			P-UB-1	2		CTC-3469028	90.68
3306045			N-N-14		3-1/2	CTC-3469030	75.72
SH-56B BUNCHING SAW ACCUMULATOR ARM							
A821-UP; PYW1-UP							
3743574			P-UB-1	2		CTC-3707995	106.34
3743574			N-N-14		3-1/2	CTC-3469030	75.72
SH-56B BUNCHING SAW GRAPPLE ARM							
A821-UP; PYW1-UP							
3748220			P-UB-1	2		CTC-3707995	106.34
3748220			N-N-14		3-1/2	CTC-3469030	75.72
SS-56 FELLING SAW ACCUMULATOR ARM							
1111-UP							
4351313			P-UB-1	2		CTC-3469028	90.68
4351313			N-N-14		3-1/2	CTC-3469030	75.72
SS-56 FELLING SAW GRAPPLE ARM							
1111-UP							
4351313			P-UB-1	2		CTC-3469028	90.68
4351313			N-N-14		3-1/2	CTC-3469030	75.72
SS-56 FELLING SAW GUARD							
1111-UP							
4351461			P-UB-1	1-1/2		CTC-4351466	111.22
4351461			N-N-14		3	CTC-3956781	92.67

REPLACEMENT KITS FOR CATERPILLAR® EQUIPMENT

Forestry - Wheel Feller Bunchers							
APPLICATION	CYL #	Misc-Parts, Instructions, etc.	CODE	ROD	BORE	KIT #	List \$
MODEL 563C							
STEERING							
JCB1-UP; W631-UP							
	3644636		P-UB-1	2		CTC-3707995	106.34
	3644636		N-N-14		3-1/2	CTC-4306989	201.17
TILT							
JCB1-UP; W631-UP							
	3644634		P-UB-1	2-1/2		CTC-3770612	189.50
	3644634		N-N-14		4	CTC-3770613	87.33
MODEL 563D							
HFW221 FELLING SAW ACCUMULATOR ARM							
HW31-UP							
	3306045		P-UB-1	2		CTC-3469028	90.68
	3306045		N-N-14		3-1/2	CTC-3469030	75.72
HFW221 FELLING SAW GRAPPLE ARM							
HW31-UP							
	3306045		P-UB-1	2		CTC-3469028	90.68
	3306045		N-N-14		3-1/2	CTC-3469030	75.72
HFW222-SC FELLING SAW ACCUMULATOR ARM							
HW21-UP							
	4351313		P-UB-1	2		CTC-3469028	90.68
	4351313		N-N-14		3-1/2	CTC-3469030	75.72
HFW222-SC FELLING SAW GRAPPLE ARM							
HW21-UP							
	4351313		P-UB-1	2		CTC-3469028	90.68
	4351313		N-N-14		3-1/2	CTC-3469030	75.72
HFW222-SC FELLING SAW GUARD							
HW21-UP							
	4351461		P-UB-1	1-1/2		CTC-4351466	111.22
	4351461		N-N-14		3	CTC-3956781	92.67
HFW232 BUNCHING SAW COLLECTOR ARM							
HH81000-UP							
	5764831		P-UB-10	60 mm	90 mm	CTC-5037834	183.41
HH81-999							
	5326118		P-UB-10	60 mm	90 mm	CTC-5037834	183.41
HH81-UP							
	4988415		P-UB-10	60 mm	90 mm	CTC-5037834	183.41
HFW232 BUNCHING SAW GRAPPLE ARM							
HH81000-UP							
	5764831		P-UB-10	60 mm	90 mm	CTC-5037834	183.41
HH81-999							
	5326118		P-UB-10	60 mm	90 mm	CTC-5037834	183.41
HH81-UP							
	4988415		P-UB-10	60 mm	90 mm	CTC-5037834	183.41
LIFT							
D631-UP							
	3644635		P-UB-1	2-1/2		CTC-3770612	189.50
	3644635		N-N-14		4	CTC-3770613	87.33
STEERING							
D631-UP							
	3644636		P-UB-1	2		CTC-3707995	106.34
	3644636		N-N-14		3-1/2	CTC-4306989	201.17
TILT							
D631-UP							
	3644634		P-UB-1	2-1/2		CTC-3770612	189.50
	3644634		N-N-14		4	CTC-3770613	87.33

REPLACEMENT KITS FOR CATERPILLAR® EQUIPMENT

Forestry - Wheel Feller Bunchers							
APPLICATION	CYL #	Misc-Parts, Instructions, etc.	CODE	ROD	BORE	KIT #	List \$
MODEL 573C							
LIFT							
RJT1-UP; W731-UP							
3644635			P-UB-1	2-1/2		CTC-3770612	189.50
3644635			N-N-14		4	CTC-3770613	87.33
SC-57 CENTER POST SAW ACCUMULATOR ARM							
A271-UP; PAW1-UP							
3306045			P-UB-1	2		CTC-3469028	90.68
3306045			N-N-14		3-1/2	CTC-3469030	75.72
SC-57 CENTER POST SAW GRAPPLE ARM							
A271-UP; PAW1-UP							
3306045			P-UB-1	2		CTC-3469028	90.68
3306045			N-N-14		3-1/2	CTC-3469030	75.72
SH-56B BUNCHING SAW ACCUMULATOR ARM							
A821-UP; PYW1-UP							
3743574			P-UB-1	2		CTC-3707995	106.34
3743574			N-N-14		3-1/2	CTC-3469030	75.72
SH-56B BUNCHING SAW GRAPPLE ARM							
A821-UP; PYW1-UP							
3748220			P-UB-1	2		CTC-3707995	106.34
3748220			N-N-14		3-1/2	CTC-3469030	75.72
SS-56 FELLING SAW ACCUMULATOR ARM							
1111-UP							
4351313			P-UB-1	2		CTC-3469028	90.68
4351313			N-N-14		3-1/2	CTC-3469030	75.72
SS-56 FELLING SAW GRAPPLE ARM							
1111-UP							
4351313			P-UB-1	2		CTC-3469028	90.68
4351313			N-N-14		3-1/2	CTC-3469030	75.72
SS-56 FELLING SAW GUARD							
1111-UP							
4351461			P-UB-1	1-1/2		CTC-4351466	111.22
4351461			N-N-14		3	CTC-3956781	92.67
STEERING							
RJT1-UP; W731-UP							
3644636			P-UB-1	2		CTC-3707995	106.34
3644636			N-N-14		3-1/2	CTC-4306989	201.17
TILT							
RJT1-UP; W731-UP							
3644634			P-UB-1	2-1/2		CTC-3770612	189.50
3644634			N-N-14		4	CTC-3770613	87.33
MODEL 573D							
HFW221 FELLING SAW ACCUMULATOR ARM							
HW31-UP							
3306045			P-UB-1	2		CTC-3469028	90.68
3306045			N-N-14		3-1/2	CTC-3469030	75.72
HFW221 FELLING SAW GRAPPLE ARM							
HW31-UP							
3306045			P-UB-1	2		CTC-3469028	90.68
3306045			N-N-14		3-1/2	CTC-3469030	75.72
HFW222-SC FELLING SAW ACCUMULATOR ARM							
HW21-UP							
4351313			P-UB-1	2		CTC-3469028	90.68
4351313			N-N-14		3-1/2	CTC-3469030	75.72

CATERPILLAR®

REPLACEMENT KITS FOR CATERPILLAR® EQUIPMENT

Forestry - Wheel Feller Bunchers							
APPLICATION	CYL #	Misc-Parts, Instructions, etc.	CODE	ROD	BORE	KIT #	List \$
MODEL 573D							
HFW222-SC FELLING SAW GRAPPLE ARM							
HW21-UP							
	4351313		P-UB-1	2		CTC-3469028	90.68
	4351313		N-N-14		3-1/2	CTC-3469030	75.72
HFW222-SC FELLING SAW GUARD							
HW21-UP							
	4351461		P-UB-1	1-1/2		CTC-4351466	111.22
	4351461		N-N-14		3	CTC-3956781	92.67
HFW232 BUNCHING SAW COLLECTOR ARM							
HH81000-UP							
	5764831		P-UB-10	60 mm	90 mm	CTC-5037834	183.41
HH81-999							
	5326118		P-UB-10	60 mm	90 mm	CTC-5037834	183.41
HH81-UP							
	4988415		P-UB-10	60 mm	90 mm	CTC-5037834	183.41
HFW232 BUNCHING SAW GRAPPLE ARM							
HH81000-UP							
	5764831		P-UB-10	60 mm	90 mm	CTC-5037834	183.41
HH81-999							
	5326118		P-UB-10	60 mm	90 mm	CTC-5037834	183.41
HH81-UP							
	4988415		P-UB-10	60 mm	90 mm	CTC-5037834	183.41
LIFT							
D731-UP							
	3644635		P-UB-1	2-1/2		CTC-3770612	189.50
	3644635		N-N-14		4	CTC-3770613	87.33
STEERING							
D731-UP							
	3644636		P-UB-1	2		CTC-3707995	106.34
	3644636		N-N-14		3-1/2	CTC-4306989	201.17
TILT							
D731-UP							
	3644634		P-UB-1	2-1/2		CTC-3770612	189.50
	3644634		N-N-14		4	CTC-3770613	87.33
MODEL TK370							
LIFT							
WBD1-UP							
			P-UB-10	2-1/2	4	CTC-SK100007	72.36
STEERING							
WBD1-UP							
			P-UB-10	1-3/4	3	CTC-2275350	53.51
TILT							
WBD1-UP							
			P-UB-10,12	2-1/2	4	CTC-SK100008	484.24
MODEL TK380							
LIFT							
WBE1-UP							
			P-UB-10	2-1/2	4	CTC-SK100007	72.36
STEERING							
WBE1-UP							
			P-UB-10	1-3/4	3	CTC-2275350	53.51
TILT							
WBE1-UP							
			P-UB-10,12	2-1/2	4	CTC-SK100008	484.24

REPLACEMENT KITS FOR CATERPILLAR® EQUIPMENT

Forestry - Wheel Skidders							
APPLICATION	CYL #	Misc-Parts, Instructions, etc.	CODE	ROD	BORE	KIT #	List \$
MODEL 515							
LIFT							
4LR1-UP							
	1117951		P-UB-10	2	4	CTC-2409538	110.44
	1397547		P-UB-10	2	4	CTC-2409538	110.44
STEERING							
4LR1-UP							
	1117474		P-UB-10	1-3/4	3	CTC-2275350	53.51
	1117474		P-UB-10	1-3/4	3	CTC-2405524	193.91
	1117475		P-UB-10	1-3/4	3	CTC-2275350	53.51
	1117475		P-UB-10	1-3/4	3	CTC-2405524	193.91
MODEL 525							
ARCH							
3KZ1-UP							
			P-UB-10	2	4	CTC-2618566	115.18
BOOM							
3KZ1-UP							
			P-UB-10	2	4	CTC-2618566	115.18
GRAPPLE							
1DN1-UP							
	1030258		P-UB-10	2	4	CTC-8C9353	94.63
LIFT							
1DN1-UP							
	1117951		P-UB-10	2	4	CTC-2409538	110.44
	1397547		P-UB-10	2	4	CTC-2409538	110.44
3KZ1-UP							
	1600492		P-UB-10	2-1/4	4	CTC-2418921	118.46
STEERING							
1DN1-UP							
	1117474		P-UB-10	1-3/4	3	CTC-2405524	193.91
	1117475		P-UB-10	1-3/4	3	CTC-2405524	193.91
1DN1-UP; 3KZ1-1039							
	1117474		P-UB-10	1-3/4	3	CTC-2275350	53.51
	1117475		P-UB-10	1-3/4	3	CTC-2275350	53.51
	1685239		P-UB-10	1-3/4	3	CTC-2275350	53.51
	1685241		P-UB-10	1-3/4	3	CTC-2275350	53.51
3KZ1040-UP							
			P-UB-10	2	3	CTC-2620981	149.18
MODEL 525B							
ARCH							
3KZ1-UP							
			P-UB-10	2	4	CTC-2618566	115.18
BOOM							
3KZ1-UP							
			P-UB-10	2	4	CTC-2618566	115.18
GRAPPLE							
1DN1-UP							
	1030258		P-UB-10	2	4	CTC-8C9353	94.63
LIFT							
1DN1-UP							
	1117951		P-UB-10	2	4	CTC-2409538	110.44
	1397547		P-UB-10	2	4	CTC-2409538	110.44
3KZ1-UP							
	1600492		P-UB-10	2-1/4	4	CTC-2418921	118.46

REPLACEMENT KITS FOR CATERPILLAR® EQUIPMENT

Forestry - Wheel Skidders							
APPLICATION	CYL #	Misc-Parts, Instructions, etc.	CODE	ROD	BORE	KIT #	List \$
MODEL 525B							
STEERING							
1DN1-UP							
	1117474		P-UB-10	1-3/4	3	CTC-2405524	193.91
	1117475		P-UB-10	1-3/4	3	CTC-2405524	193.91
1DN1-UP; 3KZ1-1039							
	1117474		P-UB-10	1-3/4	3	CTC-2275350	53.51
	1117475		P-UB-10	1-3/4	3	CTC-2275350	53.51
	1685239		P-UB-10	1-3/4	3	CTC-2275350	53.51
	1685241		P-UB-10	1-3/4	3	CTC-2275350	53.51
3KZ1040-UP							
			P-UB-10	2	3	CTC-2620981	149.18
MODEL 525C							
ARCH							
5251-UP							
			P-UB-10	2	4	CTC-2618566	115.18
BOOM							
5251-UP							
			P-UB-10	2	4	CTC-2618566	115.18
GRAPPLE							
5251-UP							
	2781194		P-UB-10	50 mm	100 mm	CTC-2976850	163.86
	2781765		P-UB-10	65 mm	115 mm	CTC-2976851	307.46
LIFT							
5251-UP							
			P-UB-10	2-1/4	4	CTC-2418921	118.46
STEERING							
5251-UP							
			P-UB-10	2	3-1/2	CTC-2281778	124.32
MODEL 525D							
ARCH LH							
2L51-UP; GKP1-UP							
	4170069		P-UB-10	2	4	CTC-2618566	115.18
ARCH RH							
2L51-UP; GKP1-UP							
	4170070		P-UB-10	2	4	CTC-2618566	115.18
BOOM							
2L51-UP; GKP1-UP							
	4168963		P-UB-10	2	4	CTC-2618566	115.18
LIFT							
2L51-UP; GKP1-UP							
	3799122		P-UB-10	2-1/4	4	CTC-SK100196	136.41
STEERING							
2L51-UP; GKP1-UP							
	3857264		P-UB-10	2	3-1/2	CTC-3769011	113.82
TILT							
2L51-UP; GKP1-UP							
	3752714		P-U-10	1-1/4	2	CTC-4555441	43.45
TONG							
2L51-UP; GKP1-UP							
	4251756		P-UB-10	65 mm	115 mm	CTC-3247165	269.53
MODEL 535B							
ARCH							
AAE1-UP							
	2003202		P-UB-10	2	4	CTC-2618566	115.18
	2003204		P-UB-10	2	4	CTC-2618566	115.18

REPLACEMENT KITS FOR CATERPILLAR® EQUIPMENT

Forestry - Wheel Skidders							
APPLICATION	CYL #	Misc-Parts, Instructions, etc.	CODE	ROD	BORE	KIT #	List \$
MODEL 535B							
BOOM							
AAE1-UP							
	2003195		P-UB-10	2	4	CTC-2618566	115.18
LIFT							
AAE1-UP							
	1600492		P-UB-10	2-1/4	4	CTC-2418921	118.46
STEERING							
AAE1-613							
	1685239		P-UB-10	1-3/4	3	CTC-2275350	53.51
	1685241		P-UB-10	1-3/4	3	CTC-2275350	53.51
AAE614-UP							
			P-UB-10	2	3	CTC-2620981	149.18
MODEL 535C							
ARCH							
5351-UP							
			P-UB-10	2	4	CTC-2618566	115.18
BOOM							
5351-UP							
			P-UB-10	2	4	CTC-2618566	115.18
GRAPPLE							
5351-UP							
	2781765		P-UB-10	65 mm	115 mm	CTC-2976851	307.46
LIFT							
5351-UP							
			P-UB-10	2-1/4	4	CTC-2418921	118.46
STEERING							
5351-UP							
			P-UB-10	2	3-1/2	CTC-2281778	124.32
MODEL 535D							
ARCH LH							
3L51-643; MTP1-574							
	4170069		P-UB-10	2	4	CTC-2618566	115.18
ARCH RH							
3L51-643; MTP1-574							
	4170070		P-UB-10	2	4	CTC-2618566	115.18
BLADE LIFT							
3L51-UP; MTP1-UP							
	3799122		P-UB-10	2-1/4	4	CTC-SK100196	136.41
BOOM							
3L51-643; MTP1-574							
	4168963		P-UB-10	2	4	CTC-2618566	115.18
CAB TILT							
3L51-UP; MTP1-UP							
	3752714		P-U-10	1-1/4	2	CTC-4555441	43.45
STEERING							
3L51-UP; MTP1-UP							
	3857264		P-UB-10	2	3-1/2	CTC-3769011	113.82
TONG							
3L51-UP; MTP1-UP							
	4251756		P-UB-10	65 mm	115 mm	CTC-3247165	269.53
MODEL 545							
ARCH							
2FZ1-UP							
	2003202		P-UB-10	2	4	CTC-2618566	115.18
	2003204		P-UB-10	2	4	CTC-2618566	115.18

REPLACEMENT KITS FOR CATERPILLAR® EQUIPMENT

Forestry - Wheel Skidders							
APPLICATION	CYL #	Misc-Parts, Instructions, etc.	CODE	ROD	BORE	KIT #	List \$
MODEL 545							
BOOM							
2FZ1-UP							
	2003195		P-UB-10	2	4	CTC-2618566	115.18
LIFT							
2FZ1-UP							
	1600492		P-UB-10	2-1/4	4	CTC-2418921	118.46
STEERING							
2FZ1-UP							
	1650176		P-UB-10	2	3-1/2	CTC-2281778	124.32
	1650179		P-UB-10	2	3-1/2	CTC-2281778	124.32
MODEL 545C							
ARCH							
5451-UP							
			P-UB-10	2	4	CTC-2618566	115.18
BOOM							
5451-UP							
			P-UB-10	2	4	CTC-2618566	115.18
LIFT							
5451-UP							
			P-UB-10	2-1/4	4	CTC-2418921	118.46
STEERING							
5451-UP							
			P-UB-10	2	3-1/2	CTC-2281778	124.32
MODEL 545D							
ARCH LH							
4L51-198; KGP1-344							
	4170069		P-UB-10	2	4	CTC-2618566	115.18
ARCH RH							
4L51-198; KGP1-344							
	4170070		P-UB-10	2	4	CTC-2618566	115.18
BLADE LIFT							
4L51-UP; KGP1-UP							
	3799122		P-UB-10	2-1/4	4	CTC-SK100196	136.41
BOOM							
4L51-198; KGP1-344							
	4168963		P-UB-10	2	4	CTC-2618566	115.18
CAB TILT							
4L51-UP; KGP1-UP							
	3752714		P-U-10	1-1/4	2	CTC-4555441	43.45
STEERING							
4L51-UP; KGP1-UP							
	3857264		P-UB-10	2	3-1/2	CTC-3769011	113.82
TONG							
4L51-UP; KGP1-UP							
	4161346		P-UB-10	65 mm	130 mm	CTC-SK100219	175.81
Integrated Toolcarriers							
APPLICATION	CYL #	Misc-Parts, Instructions, etc.	CODE	ROD	BORE	KIT #	List \$
MODEL IT12F							
LIFT							
	6E6398		P-UB-10	2-1/4	3-1/2	CTC-1859503	220.05
	9T5152		P-UB-10	2-1/4	4	CTC-1859527	183.39

REPLACEMENT KITS FOR CATERPILLAR® EQUIPMENT

Integrated Toolcarriers							
APPLICATION	CYL #	Misc-Parts, Instructions, etc.	CODE	ROD	BORE	KIT #	List \$
MODEL IT12F							
STEERING							
	4T8579		I-U-3	3/4	1-1/2	CTC-1791715	24.17
	9T5729		I-O-3	3/4	1-1/2	CTC-1791749	8.64
	9T7209	Head# 6E4940	P-UB-10	1-1/2	2-3/4	CTC-1361599	163.14
	9T7209	Head# 9T2542	P-UB-10	1-1/2	2-3/4	CTC-7X2736	165.06
	9T7210	Head# 6E4940	P-UB-10	1-1/2	2-3/4	CTC-1361599	163.14
	9T7210	Head# 9T2542	P-UB-10	1-1/2	2-3/4	CTC-7X2736	165.06
STEERING LH							
	6E5900	Head# 1515349	P-UB-10	1-3/4	2-3/4	CTC-1539053	222.42
	6E5900	Head# 6E4941	P-UB-10	1-3/4	2-3/4	CTC-1857024	88.07
	6E5973		P-UB-10	1-1/2	2-3/4	CTC-1361599	163.14
STEERING RH							
	6E5972	Head# 1515349	P-UB-10	1-3/4	2-3/4	CTC-1539053	222.42
	6E5972	Head# 6E4941	P-UB-10	1-3/4	2-3/4	CTC-1857024	88.07
	6E5985		P-UB-10	1-1/2	2-3/4	CTC-1361599	163.14
TILT							
	9T5151		P-UB-10	2	3-1/2	CTC-1857674	164.74
MODEL IT14F							
LIFT							
	6E6398		P-UB-10	2-1/4	3-1/2	CTC-1859503	220.05
STEERING							
	4T8579		I-U-3	3/4	1-1/2	CTC-1791715	24.17
	9T5729		I-O-3	3/4	1-1/2	CTC-1791749	8.64
STEERING LH							
	6E5900	Head# 1515349	P-UB-10	1-3/4	2-3/4	CTC-1539053	222.42
	6E5900	Head# 6E4941	P-UB-10	1-3/4	2-3/4	CTC-1857024	88.07
STEERING RH							
	6E5972	Head# 1515349	P-UB-10	1-3/4	2-3/4	CTC-1539053	222.42
	6E5972	Head# 6E4941	P-UB-10	1-3/4	2-3/4	CTC-1857024	88.07
MODEL IT14G							
FK							
	1491381		P-UB-10	2	3-1/2	CTC-1857674	164.74
LIFT							
	1116244		P-UB-10	2-1/4	3-1/2	CTC-1859503	220.05
	1314401		P-UB-10	2-1/4	3-1/2	CTC-1859503	220.05
	1314402		P-UB-10	2-1/4	3-1/2	CTC-1859503	220.05
STEERING							
	1044187		P-UB-10	1-1/2	2-1/2	CTC-1856601	82.83
	4T8579		I-U-3	3/4	1-1/2	CTC-1791715	24.17
	9T8823		I-U-3	1	2	CTC-9T0418	146.42
MODEL IT24F							
LIFT							
	1007020	Head# 1206679	P-UB-10	2-1/2	4-3/4	CTC-1361131	229.07
	1007020	Head# 9T3609	P-UB-10	2-1/2	4-3/4	CTC-1864381	248.57
	1341379		P-UB-10	2-1/2	4-3/4	CTC-1361131	229.07
	1342327		P-UB-10	2-1/4	4	CTC-1546526	228.66
	9T3937		P-UB-10	2-1/4	4	CTC-1546526	228.66
	9T8823		I-U-3	1	2	CTC-9T0418	146.42
STEERING							
	9T2637		P-UB-10	1-1/2	2-3/4	CTC-1361599	163.14

CATERPILLAR®

REPLACEMENT KITS FOR CATERPILLAR® EQUIPMENT

Integrated Toolcarriers							
APPLICATION	CYL #	Misc-Parts, Instructions, etc.	CODE	ROD	BORE	KIT #	List \$
MODEL IT24F							
TILT							
	1107845	Head# 1206679	P-UB-10	2-1/2	4-1/2	CTC-1113300	218.49
	1107845	Head# 9T3609	P-UB-10	2-1/2	4-1/2	CTC-1469860	244.85
	1262492		P-UB-10	2	4	CTC-1113302	190.32
	1262492		P-UB-10	2	4	CTC-1857688	111.41
	1341380		P-UB-10	2	4	CTC-1857688	111.41
	1341381		P-UB-10	2	4	CTC-1857688	111.41
	1342671		P-UB-10	2-1/2	4-1/2	CTC-1113300	218.49
	6E1114		I-U-3	1	2	CTC-9T0418	146.42
	6E4651	Head# 1206679	P-UB-10	2-1/2	4-1/2	CTC-1113300	218.49
	6E4651	Head# 9T3609	P-UB-10	2-1/2	4-1/2	CTC-1469860	244.85
	9T7026		P-UB-10	2	4	CTC-1857688	111.41
MODEL IT28F							
LIFT							
	1341384		P-UB-10	2-1/2	4-3/4	CTC-1361131	229.07
	9T6788	Head# 1206679	P-UB-10	2-1/2	4-3/4	CTC-1361131	229.07
	9T6788	Head# 9T3609	P-UB-10	2-1/2	4-3/4	CTC-1864381	248.57
	9T8823		I-U-3	1	2	CTC-9T0418	146.42
PIN PULLER							
	6E5393		I-U-3	1	2	CTC-9T0418	146.42
STEERING							
	6E1114		I-U-3	1	2	CTC-9T0418	146.42
	9T6646		P-UB-10	1-1/2	2-3/4	CTC-1361599	163.14
TILT							
	1341385		P-UB-10	2	4	CTC-1857688	111.41
	9T6929		P-UB-10	2	4	CTC-1857688	111.41
MODEL IT28G							
LIFT							
	1191060		P-UB-10	2-1/2	4-3/4	CTC-1361131	229.07
	6E1114		I-U-3	1	2	CTC-9T0418	146.42
	9T8823		I-U-3	1	2	CTC-9T0418	146.42
STEERING LH							
	1250374		P-UB-10	1-1/2	2-3/4	CTC-1361599	163.14
STEERING RH							
	1250373		P-UB-10	1-1/2	2-3/4	CTC-1856596	74.10
TILT							
	1191852		P-UB-10	2	4	CTC-1857688	111.41
	1273020		P-UB-10	2	4	CTC-1857688	111.41
MODEL IT38F							
LIFT							
	1148131		P-UB-10	3	4-3/4	CTC-1915030	259.18
STEERING							
	1050094		P-UB-10	1-3/4	3	CTC-1857025	84.97
TILT							
	1156963		P-UB-10	2-3/4	4-1/2	CTC-1933117	178.48
MODEL IT38G							
LIFT							
	1148131		P-UB-10	3	4-3/4	CTC-1570288	261.25
	1CW1-UP; 7BS1-UP						
	1148131		P-UB-10	3	4-3/4	CTC-2275349	158.76
STEERING							
	1050094		P-UB-10	1-3/4	3	CTC-7X2825	85.90
	1393312		P-UB-10	1-3/4	3	CTC-7X2825	85.90
TILT							
	1156963		P-UB-10	2-3/4	4-1/2	CTC-1636105	257.00
	1CW1-UP; 7BS1-UP						
	1156963		P-UB-10	2-3/4	4-1/2	CTC-2275348	192.50

REPLACEMENT KITS FOR CATERPILLAR® EQUIPMENT

Integrated Toolcarriers							
APPLICATION	CYL #	Misc-Parts, Instructions, etc.	CODE	ROD	BORE	KIT #	List \$
MODEL IT62G							
LIFT RH							
	1188296		P-UB-10	3	6	CTC-7X2698	298.08
	1250024		P-UB-10	3	6	CTC-7X2698	298.08
STEERING							
	1188288		P-UB-10	1-3/4	3-1/2	CTC-7X2784	114.46
TILT							
	1349397		P-UB-10	3	5-1/4	CTC-3E3293	284.34
Landfill Compactors							
APPLICATION	CYL #	Misc-Parts, Instructions, etc.	CODE	ROD	BORE	KIT #	List \$
MODEL 816							
LIFT							
	1U2088		P-UB-10	2-1/2	4-3/4	CTC-7X2660	287.36
	4J9233		P-V-10	2	4-1/2	CTC-7X2770	156.70
PUMP							
	15R; 57U; 91P						
	9J5067					CTC-9J5114	43.00
STEERING							
	4T1574		P-UB-10	2	4	CTC-7X2789	163.22
STEERING LH							
	7J9356		P-UB-10	2	4	CTC-7X2755	182.47
STEERING RH							
	7J9355		P-UB-10	2	4	CTC-7X2755	182.47
MODEL 816B							
DOZER							
	1U2088		P-UB-10	2-1/2	4-3/4	CTC-1328811	244.68
DOZER LIFT							
	1U2088		P-UB-10	2-1/2	4-3/4	CTC-7X2660	287.36
STEERING							
	4T1574		P-UB-10	2	4	CTC-1328816	148.39
	6E5024		P-UB-10	2	4	CTC-1113302	190.32
STEERING LH							
	7J9356		P-UB-10	2	4	CTC-7X2755	182.47
MODEL 816F							
DOZER							
	1U2088		P-UB-10	2-1/2	4-3/4	CTC-1328811	244.68
STEERING							
	4T1574		P-UB-10	2	4	CTC-1328816	148.39
	6E5024		P-UB-10	2	4	CTC-1113302	190.32
MODEL 826B							
LIFT							
	7K9401		P-UB-10	2-1/4	5	CTC-7X2729	259.72
	8J2650		P-UB-10	2	4-1/2	CTC-7X2768	141.85
	9J7111		P-UB-10	2-1/2	5-1/2	CTC-7X2653	259.89
STEERING							
	7J9718		P-UB-10	2-1/4	5	CTC-7X2729	259.72
STEERING LH							
	9J7087		P-UB-10	2-1/4	5	CTC-7X2729	259.72
STEERING RH							
	9J7086		P-UB-10	2-1/4	5	CTC-7X2729	259.72
MODEL 826C							
LIFT							
	8J2650		P-UB-10	2	4-1/2	CTC-7X2768	141.85
	9J7111		P-UB-10	2-1/2	5-1/2	CTC-7X2653	259.89
STEERING							
	9J7086		P-UB-10	2-1/4	5	CTC-9X6392	255.99
	9J7087		P-UB-10	2-1/4	5	CTC-9X6392	255.99

CATERPILLAR®

REPLACEMENT KITS FOR CATERPILLAR® EQUIPMENT

Landfill Compactors							
APPLICATION	CYL #	Misc-Parts, Instructions, etc.	CODE	ROD	BORE	KIT #	List \$
MODEL 826G							
DOZER							
	1164842		P-UB-10	3	4-3/4	CTC-1570288	261.25
STEERING							
	1175151		P-UB-10	2-1/2	4-1/2	CTC-1113300	218.49
MODEL 836, 836C							
LIFT							
	6J1272		P-V-10	2-1/2	6-1/2	CTC-7X2676	175.08
STEERING							
	9J8165		P-UB-10	2-1/4	5	CTC-9X6392	255.99
Loaders - Skid Steer							
APPLICATION	CYL #	Misc-Parts, Instructions, etc.	CODE	ROD	BORE	KIT #	List \$
MODEL 226							
ANGLE BLADE							
	5FZ1-UP						
	2259521		P-U-10	32 mm	63 mm	CTC-1771958	110.59
BUCKET							
	5FZ1-UP						
	2781969		I-U-10	30 mm	60 mm	CTC-2781970	77.96
	2936264		I-U-10	30 mm	50 mm	CTC-2620941	40.30
BUCKET MP							
	5FZ1-UP						
	1545018		P-U-10	30 mm	60 mm	CTC-1643213	106.19
GRAPPLE							
	5FZ1-11443						
	2781975		I-U-10	30 mm	60 mm	CTC-2781970	77.96
	5FZ1-UP						
	1565512		P-U-10	30 mm	60 mm	CTC-1643213	106.19
	1649295		P-U-10	25 mm	40 mm	CTC-1725285	91.26
LIFT LH							
	5FZ1-UP						
	1428961		I-U-10	35 mm	50 mm	CTC-1428962	79.81
LIFT RH							
	5FZ1-UP						
	1428960		I-U-10	35 mm	50 mm	CTC-1428962	79.81
TILT LH							
	5FZ1-2158						
	1428956		P-U-10	30 mm	65 mm	CTC-1428963	158.33
	5FZ2159-UP						
	1779569		P-U-10	30 mm	65 mm	CTC-1428963	158.33
TILT RH							
	5FZ1-2158						
	1428955		P-U-10	30 mm	65 mm	CTC-1428963	158.33
	5FZ2159-UP						
	1779568		P-U-10	30 mm	65 mm	CTC-1428963	158.33
MODEL 226B							
ANGLE BLADE							
	MJH1-UP						
	2259521		P-U-10	32 mm	63 mm	CTC-1771958	110.59
	2749930		I-U-10	35 mm	70 mm	CTC-2666140	65.50
BUCKET							
	MJH1-10574						
	1545018		P-U-10	30 mm	60 mm	CTC-1643213	106.19
	2781969		I-U-10	30 mm	60 mm	CTC-2781970	77.96
	2936264		I-U-10	30 mm	50 mm	CTC-2620941	40.30

REPLACEMENT KITS FOR CATERPILLAR® EQUIPMENT

Loaders - Skid Steer							
APPLICATION	CYL #	Misc-Parts, Instructions, etc.	CODE	ROD	BORE	KIT #	List \$
MODEL 226B							
GRAPPLE							
	MJH1-10574						
	1565512		P-U-10	30 mm	60 mm	CTC-1643213	106.19
	1649295		P-U-10	25 mm	40 mm	CTC-1725285	91.26
	2781975		I-U-10	30 mm	60 mm	CTC-2781970	77.96
LIFT LH							
	MJH1-10574						
	2303683		P-U-10	35 mm	50 mm	CTC-2186826	60.91
LIFT RH							
	MJH1-10574						
	2303693		P-U-10	35 mm	50 mm	CTC-2186826	60.91
TILT							
	MJH1-UP						
	2749931		I-U-10	35 mm	70 mm	CTC-2666140	65.50
TILT LH							
	MJH1-10574						
	2303684		P-U-10	30 mm	65 mm	CTC-2186825	91.47
TILT RH							
	MJH1-10574						
	2303694		P-U-10	30 mm	65 mm	CTC-2186825	91.47
MODEL 226B2							
BUCKET							
	MJH10575-UP						
	2781969		I-U-10	30 mm	60 mm	CTC-2781970	77.96
	2936264		I-U-10	30 mm	50 mm	CTC-2620941	40.30
GRAPPLE							
	MJH10575-UP						
	1649295		P-U-10	25 mm	40 mm	CTC-1725285	91.26
	2781975		I-U-10	30 mm	60 mm	CTC-2781970	77.96
GRAPPLE RH							
	MJH10575-UP						
	2550943		I-U-10	25 mm	40 mm	CTC-2863591	33.02
LIFT LH							
	MJH10575-15087;15094-15156						
	2303683		P-U-10	35 mm	50 mm	CTC-2186826	60.91
	MJH15088-15093;15157-UP						
	2935706		P-U-10	35 mm	50 mm	CTC-3712697	65.92
LIFT RH							
	MJH10575-15087;15094-15156						
	2303693		P-U-10	35 mm	50 mm	CTC-2186826	60.91
	MJH15088-15093;15157-UP						
	2935705		P-U-10	35 mm	50 mm	CTC-3712697	65.92
TILT LH							
	MJH10575-15087;15094-15156						
	2303684		P-U-10	30 mm	65 mm	CTC-2186825	91.47
TILT RH							
	MJH10575-15087;15094-15156						
	2303694		P-U-10	30 mm	65 mm	CTC-2186825	91.47
	MJH15088-15093;15157-UP						
	2935707		P-U-10	30 mm	65 mm	CTC-3712718	73.29
MODEL 226B3							
ANGLE BLADE							
	AS21-UP; MWD1-UP; SNA1-UP						
	2749930		I-U-10	35 mm	70 mm	CTC-2666140	65.50
	MWD1-UP; SNA1-UP						
	2259521		P-U-10	32 mm	63 mm	CTC-1771958	110.59

REPLACEMENT KITS FOR CATERPILLAR® EQUIPMENT

Loaders - Skid Steer							
APPLICATION	CYL #	Misc-Parts, Instructions, etc.	CODE	ROD	BORE	KIT #	List \$
MODEL 226B3							
BUCKET							
AS21-UP; DXZ1-UP; F3D1-UP; MWD1-UP; SNA1-UP							
2781969			I-U-10	30 mm	60 mm	CTC-2781970	77.96
AS21-UP; MWD1-UP; SNA1-UP							
2936264			I-U-10	30 mm	50 mm	CTC-2620941	40.30
MWD1-UP; SNA1-UP							
1545018			P-U-10	30 mm	60 mm	CTC-1643213	106.19
GRAPPLE							
AS21-UP; MWD1-UP; SNA1-UP							
2550943			I-U-10	25 mm	40 mm	CTC-2863591	33.02
2781975			I-U-10	30 mm	60 mm	CTC-2781970	77.96
LIFT LH							
AS21-UP; DXZ1-UP; F3D1-UP; MWD1-UP; SNA1-UP							
2935706			P-U-10	35 mm	50 mm	CTC-3712697	65.92
2935706			Bushing	35 mm		CTC-2965140	12.16
LIFT RH							
AS21-UP; DXZ1-UP; F3D1-UP; MWD1-UP; SNA1-UP							
2935705			P-U-10	35 mm	50 mm	CTC-3712697	65.92
2935705			Bushing	35 mm		CTC-2965140	12.16
TILT							
AS21-UP; MWD1-UP; SNA1-UP							
2749931			I-U-10	35 mm	70 mm	CTC-2666140	65.50
TILT LH							
AS21-UP; DXZ1-UP; F3D1-UP; MWD1-UP; SNA1-UP							
2935708			P-U-10	30 mm	65 mm	CTC-3712718	73.29
2935708			Bushing	30 mm		CTC-2965139	10.97
TILT RH							
AS21-UP; DXZ1-UP; F3D1-UP; MWD1-UP; SNA1-UP							
2935707			P-U-10	30 mm	65 mm	CTC-3712718	73.29
2935707			Bushing	30 mm		CTC-2965139	10.97
MODEL 226D							
ANGLE BLADE							
HRD1-UP							
2749930			I-U-10	35 mm	70 mm	CTC-2666140	65.50
BUCKET							
HRD1-UP							
2781969			I-U-10	30 mm	60 mm	CTC-2781970	77.96
COUPLER							
HRD1-UP							
5154591			I-U-10	25 mm	50 mm	CTC-5187949	88.13
GRAPPLE							
HRD1-UP							
4817387			I-U-10	1-1/4	3	CTC-5052263	93.03
LIFT							
HRD1-UP							
4321218			P-U-10	40 mm	55 mm	CTC-SK100211	71.65
4321218			Bushing	40 mm		CTC-2974130	5.36
TILT							
HRD1-UP							
2749931			I-U-10	35 mm	70 mm	CTC-2666140	65.50
TILT LH							
HRD1-UP							
4571619			P-U-10	30 mm	65 mm	CTC-SK100212	70.53
4571619			Bushing	30 mm		CTC-2965139	10.97

REPLACEMENT KITS FOR CATERPILLAR® EQUIPMENT

Loaders - Skid Steer							
APPLICATION	CYL #	Misc-Parts, Instructions, etc.	CODE	ROD	BORE	KIT #	List \$
MODEL 226D							
TILT RH							
HRD1-UP							
4571613			P-U-10	30 mm	65 mm	CTC-SK100212	70.53
4571613			Bushing	30 mm		CTC-2965139	10.97
MODEL 226D3							
ANGLE BLADE							
D5R1-UP; DX81-UP; EK51-UP							
2749930			I-U-10	35 mm	70 mm	CTC-2666140	65.50
4893905			I-U-10	1-1/2	2-1/2	CTC-5052264	45.14
EK51-UP							
2259521			P-U-10	32 mm	63 mm	CTC-1771958	110.59
BUCKET							
D5R1-UP; DX81-UP; EK51-UP							
2781969			I-U-10	30 mm	60 mm	CTC-2781970	77.96
5622803			P-U-10	30 mm	60 mm	CTC-5799491	107.79
5660409			P-U-10	30 mm	60 mm	CTC-5918076	121.44
EK51-UP							
2936264			I-U-10	30 mm	50 mm	CTC-2620941	40.30
COUPLER							
D5R1-UP; DX81-UP; EK51-UP							
5154591			I-U-10	25 mm	50 mm	CTC-5187949	88.13
GRAPPLE							
D5R1-UP; DX81-UP; EK51-UP							
4827647			I-U-10	1-1/4	3	CTC-5052263	93.03
EK51-UP							
2550943			I-U-10	25 mm	40 mm	CTC-2863591	33.02
5622800			P-U-10	30 mm	60 mm	CTC-5918076	121.44
5622802			P-U-10	30 mm	60 mm	CTC-5799491	107.79
LIFT							
D5R1-UP; DX81-UP							
5823329			P-U-10	40 mm	55 mm	CTC-6073564	79.46
D5R1-UP; DX81-UP; EK51-UP							
4321218			P-U-10	40 mm	55 mm	CTC-4397329	60.52
4321218			Bushing	40 mm		CTC-2974130	5.36
TILT							
D5R1-UP; DX81-UP; EK51-UP							
2749931			I-U-10	35 mm	70 mm	CTC-2666140	65.50
TILT LH							
D5R1-UP; DX81-UP							
5823330			P-U-10	30 mm	65 mm	CTC-6073565	81.19
D5R1-UP; DX81-UP; EK51-UP							
4571619			P-U-10	30 mm	65 mm	CTC-3712718	73.29
4571619			Bushing	30 mm		CTC-2965139	10.97
TILT RH							
D5R1-UP; DX81-UP							
5823331			P-U-10	30 mm	65 mm	CTC-6073565	81.19
D5R1-UP; DX81-UP; EK51-UP							
4571613			P-U-10	30 mm	65 mm	CTC-3712718	73.29
4571613			Bushing	30 mm		CTC-2965139	10.97
MODEL 232D3							
ANGLE BLADE							
D5Z1-UP; GJ51-UP; HRS1-UP; PWN1-UP							
2749930			I-U-10	35 mm	70 mm	CTC-2666140	65.50
4893905			I-U-10	1-1/2	2-1/2	CTC-5052264	45.14
GJ51-UP							
2259521			P-U-10	32 mm	63 mm	CTC-1771958	110.59

REPLACEMENT KITS FOR CATERPILLAR® EQUIPMENT

Loaders - Skid Steer							
APPLICATION	CYL #	Misc-Parts, Instructions, etc.	CODE	ROD	BORE	KIT #	List \$
MODEL 232D3							
BUCKET							
D5Z1-UP; GJ51-UP; HRS1-UP; PWN1-UP							
2781969			I-U-10	30 mm	60 mm	CTC-2781970	77.96
5622803			P-U-10	30 mm	60 mm	CTC-5799491	107.79
5660409			P-U-10	30 mm	60 mm	CTC-5918076	121.44
GJ51-UP							
2936264			I-U-10	30 mm	50 mm	CTC-2620941	40.30
COUPLER							
D5Z1-UP; GJ51-UP; HRS1-UP; PWN1-UP							
5154591			I-U-10	25 mm	50 mm	CTC-5187949	88.13
GRAPPLE							
D5Z1-UP; GJ51-UP; HRS1-UP; PWN1-UP							
4827647			I-U-10	1-1/4	3	CTC-5052263	93.03
GJ51-UP							
2550943			I-U-10	25 mm	40 mm	CTC-2863591	33.02
5622800			P-U-10	30 mm	60 mm	CTC-5918076	121.44
5622802			P-U-10	30 mm	60 mm	CTC-5799491	107.79
LIFT							
D5Z1-UP; GJ51-UP; HRS1-UP; PWN1-UP							
4572318			P-U-10	45 mm	65 mm	CTC-3712737	74.88
4572318			Bushing	45 mm		CTC-2965141	14.22
4572361			P-U-10	45 mm	65 mm	CTC-3712737	74.88
4572361			Bushing	45 mm		CTC-2965141	14.22
TILT							
D5Z1-UP; GJ51-UP; HRS1-UP; PWN1-UP							
2749931			I-U-10	35 mm	70 mm	CTC-2666140	65.50
TILT LH							
D5Z1-UP; GJ51-UP; HRS1-UP; PWN1-UP							
4571619			P-U-10	30 mm	65 mm	CTC-3712718	73.29
4571619			Bushing	30 mm		CTC-2965139	10.97
5823330			P-U-10	30 mm	65 mm	CTC-6073565	81.19
TILT RH							
D5Z1-UP; GJ51-UP; HRS1-UP; PWN1-UP							
4571613			P-U-10	30 mm	65 mm	CTC-3712718	73.29
4571613			Bushing	30 mm		CTC-2965139	10.97
5823331			P-U-10	30 mm	65 mm	CTC-6073565	81.19
MODEL 236							
ANGLE BLADE							
4YZ1-UP							
2259521			P-U-10	32 mm	63 mm	CTC-1771958	110.59
4YZ4000-UP							
2749930			I-U-10	35 mm	70 mm	CTC-2666140	65.50
BUCKET							
4YZ1-UP							
1545018			P-U-10	30 mm	60 mm	CTC-1643213	106.19
2781969			I-U-10	30 mm	60 mm	CTC-2781970	77.96
4YZ4000-UP							
2936264			I-U-10	30 mm	50 mm	CTC-2620941	40.30
GRAPPLE							
4YZ1-UP							
1565512			P-U-10	30 mm	60 mm	CTC-1643213	106.19
1649295			P-U-10	25 mm	40 mm	CTC-1725285	91.26
2781975			I-U-10	30 mm	60 mm	CTC-2781970	77.96

CATERPILLAR®

REPLACEMENT KITS FOR CATERPILLAR® EQUIPMENT

Loaders - Skid Steer							
APPLICATION	CYL #	Misc-Parts, Instructions, etc.	CODE	ROD	BORE	KIT #	List \$
MODEL 236							
LIFT LH							
4YZ1-UP							
	1429196		P-U-10	35 mm	70 mm	CTC-1429192	76.89
	1429196		P-U-10	40 mm	60 mm	CTC-1429193	117.72
LIFT RH							
4YZ1-UP							
	1429195		P-U-10	35 mm	70 mm	CTC-1429192	76.89
	1429195		P-U-10	40 mm	60 mm	CTC-1429193	117.72
TILT							
47Z4000-UP							
	2749931		I-U-10	35 mm	70 mm	CTC-2666140	65.50
TILT LH							
4YZ1-UP							
	1779566		P-U-10	35 mm	70 mm	CTC-1429192	76.89
TILT RH							
4YZ1-UP							
	1779565		P-U-10	35 mm	70 mm	CTC-1429192	76.89
MODEL 236B							
ANGLE BLADE							
HEN1-6749							
	2259521		P-U-10	32 mm	63 mm	CTC-1771958	110.59
	2749930		I-U-10	35 mm	70 mm	CTC-2666140	65.50
BUCKET							
HEN1-6749							
	1545018		P-U-10	30 mm	60 mm	CTC-1643213	106.19
	2781969		I-U-10	30 mm	60 mm	CTC-2781970	77.96
	2936264		I-U-10	30 mm	50 mm	CTC-2620941	40.30
GRAPPLE							
HEN1-6749							
	1565512		P-U-10	30 mm	60 mm	CTC-1643213	106.19
	1649295		P-U-10	25 mm	40 mm	CTC-1725285	91.26
	2781975		I-U-10	30 mm	60 mm	CTC-2781970	77.96
LIFT LH							
HEN1-6749							
	2303685		P-U-10	40 mm	60 mm	CTC-2186823	94.81
LIFT RH							
HEN1-6749							
	2303695		P-U-10	40 mm	60 mm	CTC-2186823	94.81
TILT							
HEN1-6749							
	2749931		I-U-10	35 mm	70 mm	CTC-2666140	65.50
TILT LH							
HEN1-6749							
	2303687		P-U-10	35 mm	70 mm	CTC-2186822	118.13
TILT RH							
HEN1-6749							
	2303697		P-U-10	35 mm	70 mm	CTC-2186822	118.13
MODEL 236B2							
ANGLE BLADE							
HEN6750-UP							
	2259521		P-U-10	32 mm	63 mm	CTC-1771958	110.59
	2749930		I-U-10	35 mm	70 mm	CTC-2666140	65.50
BUCKET							
HEN6750-UP							
	2781969		I-U-10	30 mm	60 mm	CTC-2781970	77.96
	2936264		I-U-10	30 mm	50 mm	CTC-2620941	40.30

CATERPILLAR®

REPLACEMENT KITS FOR CATERPILLAR® EQUIPMENT

Loaders - Skid Steer							
APPLICATION	CYL #	Misc-Parts, Instructions, etc.	CODE	ROD	BORE	KIT #	List \$
MODEL 236B2							
GRAPPLE							
HEN6750-UP							
	1649295		P-U-10	25 mm	40 mm	CTC-1725285	91.26
	2550943		I-U-10	25 mm	40 mm	CTC-2863591	33.02
	2781975		I-U-10	30 mm	60 mm	CTC-2781970	77.96
LIFT LH							
HEN6750-9767							
	2303685		P-U-10	40 mm	60 mm	CTC-2186823	94.81
HEN9768-UP							
	2956952		P-U-10	40 mm	60 mm	CTC-3712756	67.02
LIFT RH							
HEN6750-9767							
	2303695		P-U-10	40 mm	60 mm	CTC-2186823	94.81
HEN9768-UP							
	2956951		P-U-10	40 mm	60 mm	CTC-3712756	67.02
TILT							
HEN6750-UP							
	2749931		I-U-10	35 mm	70 mm	CTC-2666140	65.50
TILT LH							
HEN6750-9765							
	2303687		P-U-10	35 mm	70 mm	CTC-2186822	118.13
HEN9766-UP							
	2956954		P-U-10	35 mm	70 mm	CTC-3712760	68.31
TILT RH							
HEN6750-9765							
	2303697		P-U-10	35 mm	70 mm	CTC-2186822	118.13
HEN9766-UP							
	2956953		P-U-10	35 mm	70 mm	CTC-3712760	68.31
MODEL 236B3							
ANGLE BLADE							
A9H1-UP							
	2259521		P-U-10	32 mm	63 mm	CTC-1771958	110.59
	2749930		I-U-10	35 mm	70 mm	CTC-2666140	65.50
BUCKET							
A9H1-UP							
	1545018		P-U-10	30 mm	60 mm	CTC-1643213	106.19
	2781969		I-U-10	30 mm	60 mm	CTC-2781970	77.96
	2936264		I-U-10	30 mm	50 mm	CTC-2620941	40.30
GRAPPLE							
A9H1-UP							
	2550943		I-U-10	25 mm	40 mm	CTC-2863591	33.02
	2781975		I-U-10	30 mm	60 mm	CTC-2781970	77.96
LIFT LH							
A9H1-UP							
	2956952		P-U-10	40 mm	60 mm	CTC-3712756	67.02
LIFT RH							
A9H1-UP							
	2956951		P-U-10	40 mm	60 mm	CTC-3712756	67.02
TILT							
A9H1-UP							
	2749931		I-U-10	35 mm	70 mm	CTC-2666140	65.50
TILT LH							
A9H1-UP							
	2956954		P-U-10	35 mm	70 mm	CTC-3712760	68.31
	2956954		Bushing	35 mm		CTC-2965140	12.16

REPLACEMENT KITS FOR CATERPILLAR® EQUIPMENT

Loaders - Skid Steer							
APPLICATION	CYL #	Misc-Parts, Instructions, etc.	CODE	ROD	BORE	KIT #	List \$
MODEL 236B3							
TILT RH							
A9H1-UP							
	2956953		P-U-10	35 mm	70 mm	CTC-3712760	68.31
	2956953		Bushing	35 mm		CTC-2965140	12.16
MODEL 236D							
ANGLE BLADE							
BGZ1-UP; MPW1-UP; SEN1-UP							
	2259521		P-U-10	32 mm	63 mm	CTC-1771958	110.59
	2749930		I-U-10	35 mm	70 mm	CTC-2666140	65.50
BUCKET							
BGZ1-UP; MPW1-UP; SEN1-UP							
	2781969		I-U-10	30 mm	60 mm	CTC-2781970	77.96
	2936264		I-U-10	30 mm	50 mm	CTC-2620941	40.30
COUPLER							
BGZ1-UP; MPW1-UP; SEN1-UP							
	5154591		I-U-10	25 mm	50 mm	CTC-5187949	88.13
GRAPPLE							
BGZ1-UP; MPW1-UP; SEN1-UP							
	2550943		I-U-10	25 mm	40 mm	CTC-2863591	33.02
	2781975		I-U-10	30 mm	60 mm	CTC-2781970	77.96
	4817387		I-U-10	1-1/4	3	CTC-5052263	93.03
LIFT							
BGZ1-UP; MPW1-UP; SEN1-UP							
	3780891		P-U-10	40 mm	55 mm	CTC-4397329	60.52
	3780891		Bushing	40 mm		CTC-2974130	5.36
MPW1-UP							
	3805668		P-U-10	45 mm	65 mm	CTC-3712737	74.88
	3805668		Bushing	45 mm		CTC-2965141	14.22
TILT							
BGZ1-UP; MPW1-UP; SEN1-UP							
	2749931		I-U-10	35 mm	70 mm	CTC-2666140	65.50
TILT LH							
BGZ1-UP; MPW1-UP; SEN1-UP							
	3787964		P-U-10	35 mm	70 mm	CTC-3712760	68.31
	3787964		Bushing	35 mm		CTC-2965140	12.16
TILT RH							
BGZ1-UP; MPW1-UP; SEN1-UP							
	3787963		P-U-10	35 mm	70 mm	CTC-3712760	68.31
	3787963		Bushing	35 mm		CTC-2965140	12.16
MODEL 236D3							
BUCKET							
AZ61-UP; F9C1-UP; GK61-UP; KXL1-UP							
	2781969		I-U-10	30 mm	60 mm	CTC-2781970	77.96
	5622803		P-U-10	30 mm	60 mm	CTC-5799491	107.79
	5660409		P-U-10	30 mm	60 mm	CTC-5918076	121.44
COUPLER							
AZ61-UP; F9C1-UP; GK61-UP; KXL1-UP							
	5154591		I-U-10	25 mm	50 mm	CTC-5187949	88.13
GRAPPLE							
AZ61-UP; F9C1-UP; GK61-UP; KXL1-UP							
	4827647		I-U-10	1-1/4	3	CTC-5052263	93.03
LIFT							
AZ61-UP; F9C1-UP; GK61-UP; KXL1-UP							
	3780891		P-U-10	40 mm	55 mm	CTC-4397329	60.52
	3780891		Bushing	40 mm		CTC-2974130	5.36

REPLACEMENT KITS FOR CATERPILLAR® EQUIPMENT

Loaders - Skid Steer							
APPLICATION	CYL #	Misc-Parts, Instructions, etc.	CODE	ROD	BORE	KIT #	List \$
MODEL 236D3							
TILT LH							
AZ61-UP; F9C1-UP; GK61-UP; KXL1-UP							
	3787964		P-U-10	35 mm	70 mm	CTC-3712760	68.31
	3787964		Bushing	35 mm		CTC-2965140	12.16
TILT RH							
AZ61-UP; F9C1-UP; GK61-UP; KXL1-UP							
	3787963		P-U-10	35 mm	70 mm	CTC-3712760	68.31
	3787963		Bushing	35 mm		CTC-2965140	12.16
MODEL 242							
ANGLE BLADE							
CMB1-UP							
	2259521		P-U-10	32 mm	63 mm	CTC-1771958	110.59
BUCKET							
CMB1-UP							
	1545018		P-U-10	30 mm	60 mm	CTC-1643213	106.19
	2781969		I-U-10	30 mm	60 mm	CTC-2781970	77.96
	2936264		I-U-10	30 mm	50 mm	CTC-2620941	40.30
GRAPPLE							
CMB1-1646							
	2781975		I-U-10	30 mm	60 mm	CTC-2781970	77.96
CMB1-UP							
	1565512		P-U-10	30 mm	60 mm	CTC-1643213	106.19
	1649295		P-U-10	25 mm	40 mm	CTC-1725285	91.26
LIFT							
CMB1-UP							
	1919641		P-U-10	45 mm	60 mm	CTC-1919605	114.44
TILT LH							
CMB1-UP							
	1779569		P-U-10	30 mm	65 mm	CTC-1428963	158.33
TILT RH							
CMB1-UP							
	1779568		P-U-10	30 mm	65 mm	CTC-1428963	158.33
MODEL 242B							
ANGLE BLADE							
BXM1-4224							
	2259521		P-U-10	32 mm	63 mm	CTC-1771958	110.59
	2749930		I-U-10	35 mm	70 mm	CTC-2666140	65.50
BUCKET							
BXM1-4224							
	1545018		P-U-10	30 mm	60 mm	CTC-1643213	106.19
	2781969		I-U-10	30 mm	60 mm	CTC-2781970	77.96
	2936264		I-U-10	30 mm	50 mm	CTC-2620941	40.30
GRAPPLE							
BXM1-4224							
	1565512		P-U-10	30 mm	60 mm	CTC-1643213	106.19
	1649295		P-U-10	25 mm	40 mm	CTC-1725285	91.26
	2781975		I-U-10	30 mm	60 mm	CTC-2781970	77.96
LIFT							
BXM1-4224							
	2303703		P-U-10	45 mm	60 mm	CTC-2186827	91.87
TILT							
BXM1-4224							
	2749931		I-U-10	35 mm	70 mm	CTC-2666140	65.50
TILT LH							
BXM1-4224							
	2303684		P-U-10	30 mm	65 mm	CTC-2186825	91.47

REPLACEMENT KITS FOR CATERPILLAR® EQUIPMENT

Loaders - Skid Steer							
APPLICATION	CYL #	Misc-Parts, Instructions, etc.	CODE	ROD	BORE	KIT #	List \$
MODEL 242B							
TILT RH							
	BXM1-4224						
	2303694		P-U-10	30 mm	65 mm	CTC-2186825	91.47
MODEL 242B2							
ANGLE BLADE							
	BXM4225-UP						
	2259521		P-U-10	32 mm	63 mm	CTC-1771958	110.59
	2749930		I-U-10	35 mm	70 mm	CTC-2666140	65.50
BUCKET							
	BXM4225-UP						
	2781969		I-U-10	30 mm	60 mm	CTC-2781970	77.96
	2936264		I-U-10	30 mm	50 mm	CTC-2620941	40.30
GRAPPLE							
	BXM4225-UP						
	1649295		P-U-10	25 mm	40 mm	CTC-1725285	91.26
	2781975		I-U-10	30 mm	60 mm	CTC-2781970	77.96
GRAPPLE RH							
	BXM4225-UP						
	2550943		I-U-10	25 mm	40 mm	CTC-2863591	33.02
LIFT							
	BXM4225-UP						
	2303703		P-U-10	45 mm	60 mm	CTC-2186827	91.87
TILT							
	BXM4225-UP						
	2749931		I-U-10	35 mm	70 mm	CTC-2666140	65.50
TILT LH							
	BXM4225-UP						
	2303684		P-U-10	30 mm	65 mm	CTC-2186825	91.47
TILT RH							
	BXM4225-UP						
	2303694		P-U-10	30 mm	65 mm	CTC-2186825	91.47
MODEL 242D							
ANGLE BLADE							
	A9W1-UP; DML1-UP; DZT1-UP						
	2259521		P-U-10	32 mm	63 mm	CTC-1771958	110.59
	2749930		I-U-10	35 mm	70 mm	CTC-2666140	65.50
BUCKET							
	A9W1-UP; DML1-UP; DZT1-UP						
	2781969		I-U-10	30 mm	60 mm	CTC-2781970	77.96
	2936264		I-U-10	30 mm	50 mm	CTC-2620941	40.30
COUPLER							
	A9W1-UP; DML1-UP; DZT1-UP						
	5154591		I-U-10	25 mm	50 mm	CTC-5187949	88.13
GRAPPLE							
	A9W1-UP; DML1-UP; DZT1-UP						
	2550943		I-U-10	25 mm	40 mm	CTC-2863591	33.02
	2781975		I-U-10	30 mm	60 mm	CTC-2781970	77.96
	4827647		I-U-10	1-1/4	3	CTC-5052263	93.03
LIFT							
	A9W1-UP; DML1-UP; DZT1-UP						
	3805668		P-U-10	45 mm	65 mm	CTC-3712737	74.88
	3805668		Bushing	45 mm		CTC-2965141	14.22
TILT							
	A9W1-UP; DML1-UP; DZT1-UP						
	2749931		I-U-10	35 mm	70 mm	CTC-2666140	65.50

REPLACEMENT KITS FOR CATERPILLAR® EQUIPMENT

Loaders - Skid Steer							
APPLICATION	CYL #	Misc-Parts, Instructions, etc.	CODE	ROD	BORE	KIT #	List \$
MODEL 242D							
TILT LH							
A9W1-UP; DML1-UP; DZT1-UP							
	3787964		P-U-10	35 mm	70 mm	CTC-3712760	68.31
	3787964		Bushing	35 mm		CTC-2965140	12.16
TILT RH							
A9W1-UP; DML1-UP; DZT1-UP							
	3787963		P-U-10	35 mm	70 mm	CTC-3712760	68.31
	3787963		Bushing	35 mm		CTC-2965140	12.16
MODEL 242D3							
BUCKET							
HSX1-UP; ME61-UP; NXL1-UP;R2L1-UP							
	2781969		I-U-10	30 mm	60 mm	CTC-2781970	77.96
	5622803		P-U-10	30 mm	60 mm	CTC-5799491	107.79
	5660409		P-U-10	30 mm	60 mm	CTC-5918076	121.44
T7Z1-UP; T8A1-UP; T8T1-UP; T8W1-UP							
	5660409		P-U-10	30 mm	60 mm	CTC-5918076	121.44
COUPLER							
HSX1-UP; ME61-UP; NXL1-UP;R2L1-UP							
	5154591		I-U-10	25 mm	50 mm	CTC-5187949	88.13
T7Z1-UP; T8A1-UP; T8T1-UP; T8W1-UP							
	5154591		I-U-10	25 mm	50 mm	CTC-5187949	88.13
GRAPPLE							
HSX1-UP; ME61-UP; NXL1-UP;R2L1-UP							
	4827647		I-U-10	1-1/4	3	CTC-5052263	93.03
LIFT							
HSX1-UP; ME61-UP; NXL1-UP;R2L1-UP							
	3805668		P-U-10	45 mm	65 mm	CTC-3712737	74.88
	3805668		Bushing	45 mm		CTC-2965141	14.22
TILT LH							
HSX1-UP; ME61-UP; NXL1-UP;R2L1-UP							
	2787964		P-U-10	35 mm	70 mm	CTC-3712760	68.31
	2787964		Bushing	35 mm		CTC-2965140	12.16
TILT RH							
HSX1-UP; ME61-UP; NXL1-UP;R2L1-UP							
	3787963		P-U-10	35 mm	70 mm	CTC-3712760	68.31
	3787963		Bushing	35 mm		CTC-2965140	12.16
MODEL 246							
ANGLE BLADE							
5SZ1-UP							
	2259521		P-U-10	32 mm	63 mm	CTC-1771958	110.59
5SZ4000-UP							
	2749930		I-U-10	35 mm	70 mm	CTC-2666140	65.50
BUCKET							
5SZ1-UP							
	1545018		P-U-10	30 mm	60 mm	CTC-1643213	106.19
	2781969		I-U-10	30 mm	60 mm	CTC-2781970	77.96
5SZ4000-UP							
	2936264		I-U-10	30 mm	50 mm	CTC-2620941	40.30
GRAPPLE							
5SZ1-UP							
	1565512		P-U-10	30 mm	60 mm	CTC-1643213	106.19
	1649295		P-U-10	25 mm	40 mm	CTC-1725285	91.26
	2781975		I-U-10	30 mm	60 mm	CTC-2781970	77.96

REPLACEMENT KITS FOR CATERPILLAR® EQUIPMENT

Loaders - Skid Steer							
APPLICATION	CYL #	Misc-Parts, Instructions, etc.	CODE	ROD	BORE	KIT #	List \$
MODEL 246							
LIFT LH							
5SZ1-UP							
	1429196		P-U-10	35 mm	70 mm	CTC-1429192	76.89
	1429196		P-U-10	40 mm	60 mm	CTC-1429193	117.72
LIFT RH							
5SZ1-UP							
	1429195		P-U-10	35 mm	70 mm	CTC-1429192	76.89
	1429195		P-U-10	40 mm	60 mm	CTC-1429193	117.72
TILT							
5SZ4000-UP							
	2749931		I-U-10	35 mm	70 mm	CTC-2666140	65.50
TILT LH							
5SZ1-UP							
	1779566		P-U-10	35 mm	70 mm	CTC-1429192	76.89
TILT RH							
5SZ1-UP							
	1779565		P-U-10	35 mm	70 mm	CTC-1429192	76.89
MODEL 246B							
ANGLE BLADE							
PAT1-UP							
	2259521		P-U-10	32 mm	63 mm	CTC-1771958	110.59
	2749930		I-U-10	35 mm	70 mm	CTC-2666140	65.50
BUCKET							
PAT1-UP							
	1545018		P-U-10	30 mm	60 mm	CTC-1643213	106.19
	2781969		I-U-10	30 mm	60 mm	CTC-2781970	77.96
	2936264		I-U-10	30 mm	50 mm	CTC-2620941	40.30
GRAPPLE							
PAT1-UP							
	1565512		P-U-10	30 mm	60 mm	CTC-1643213	106.19
	1649295		P-U-10	25 mm	40 mm	CTC-1725285	91.26
	2781975		I-U-10	30 mm	60 mm	CTC-2781970	77.96
LIFT LH							
PAT1-UP							
	2303685		P-U-10	40 mm	60 mm	CTC-2186823	94.81
LIFT RH							
PAT1-UP							
	2303695		P-U-10	40 mm	60 mm	CTC-2186823	94.81
TILT							
PAT1-UP							
	2749931		I-U-10	35 mm	70 mm	CTC-2666140	65.50
TILT LH							
PAT1-UP							
	2303687		P-U-10	35 mm	70 mm	CTC-2186822	118.13
TILT RH							
PAT1-UP							
	2303697		P-U-10	35 mm	70 mm	CTC-2186822	118.13
MODEL 246C							
ANGLE BLADE							
JAY1-UP							
	2259521		P-U-10	32 mm	63 mm	CTC-1771958	110.59
	2749930		I-U-10	35 mm	70 mm	CTC-2666140	65.50

REPLACEMENT KITS FOR CATERPILLAR® EQUIPMENT

Loaders - Skid Steer							
APPLICATION	CYL #	Misc-Parts, Instructions, etc.	CODE	ROD	BORE	KIT #	List \$
MODEL 246C							
BUCKET							
JAY1-UP							
	1545018		P-U-10	30 mm	60 mm	CTC-1643213	106.19
	2781969		I-U-10	30 mm	60 mm	CTC-2781970	77.96
	2936264		I-U-10	30 mm	50 mm	CTC-2620941	40.30
GRAPPLE							
JAY1-UP							
	1649295		P-U-10	25 mm	40 mm	CTC-1725285	91.26
	2550943		I-U-10	25 mm	40 mm	CTC-2863591	33.02
	2781975		I-U-10	30 mm	60 mm	CTC-2781970	77.96
LIFT							
JAY1-4094;4096-4202							
	2582512		P-U-10	45 mm	65 mm	CTC-2186824	100.03
JAY4095;4203-UP							
	2935710		P-U-10	45 mm	65 mm	CTC-3712737	74.88
TILT							
JAY1-UP							
	2749931		I-U-10	35 mm	70 mm	CTC-2666140	65.50
TILT LH							
JAY1-4094;4096-4215							
	2582515		P-U-10	35 mm	75 mm	CTC-2583621	72.98
JAY4095;4216-UP							
	2935712		P-U-10	35 mm	75 mm	CTC-3712751	72.57
TILT RH							
JAY1-4094;4096-4215							
	2582514		P-U-10	35 mm	75 mm	CTC-2583621	72.98
JAY4095;4216-UP							
	2935711		P-U-10	35 mm	75 mm	CTC-3712751	72.57
MODEL 246D							
ANGLE BLADE							
BYF1-UP; HMR1-UP; JSL1-UP							
	2559521		P-U-10	32 mm	63 mm	CTC-1771958	110.59
	2749930		I-U-10	35 mm	70 mm	CTC-2666140	65.50
BUCKET							
BYF1-UP; HMR1-UP; JSL1-UP							
	2781969		I-U-10	30 mm	60 mm	CTC-2781970	77.96
	2936264		I-U-10	30 mm	50 mm	CTC-2620941	40.30
COUPLER							
BYF1-UP; HMR1-UP; JSL1-UP							
	5154591		I-U-10	25 mm	50 mm	CTC-5187949	88.13
GRAPPLE							
BYF1-UP; HMR1-UP; JSL1-UP							
	2550943		I-U-10	25 mm	40 mm	CTC-2863591	33.02
	2781975		I-U-10	30 mm	60 mm	CTC-2781970	77.96
	4817387		I-U-10	1-1/4	3	CTC-5052263	93.03
LIFT							
BYF1-UP; HMR1-UP; JSL1-UP							
	4924510		I-U-10	50 mm	70 mm	CTC-3806119	112.76
TILT							
BYF1-UP; HMR1-UP; JSL1-UP							
	2749931		I-U-10	35 mm	70 mm	CTC-2666140	65.50
TILT LH							
BYF1-UP; HMR1-UP; JSL1-UP							
	2935712		P-U-10	35 mm	75 mm	CTC-3712751	72.57

REPLACEMENT KITS FOR CATERPILLAR® EQUIPMENT

Loaders - Skid Steer							
APPLICATION	CYL #	Misc-Parts, Instructions, etc.	CODE	ROD	BORE	KIT #	List \$
MODEL 246D							
TILT RH							
	BYF1-UP; HMR1-UP; JSL1-UP						
	2935711		P-U-10	35 mm	75 mm	CTC-3712751	72.57
MODEL 246D3							
BUCKET							
	AH61-UP; EP31-UP; GM61-UP; KC61-UP; PF61-UP						
	5622803		P-U-10	30 mm	60 mm	CTC-5799491	107.79
	5660409		P-U-10	30 mm	60 mm	CTC-5918076	121.44
	AH61-UP; GM61-UP; KC61-UP; PF61-UP						
	2781969		I-U-10	30 mm	60 mm	CTC-2781970	77.96
	T9X1-UP; T9Z1-UP; TC71-UP; TM71-UP						
	5660409		P-U-10	30 mm	60 mm	CTC-5918076	121.44
COUPLER							
	AH61-UP; EP31-UP; GM61-UP; KC61-UP; PF61-UP						
	5154591		I-U-10	25 mm	50 mm	CTC-5187949	88.13
	T9X1-UP; T9Z1-UP; TC71-UP; TM71-UP						
	5154591		I-U-10	25 mm	50 mm	CTC-5187949	88.13
GRAPPLE							
	AH61-UP; GM61-UP; KC61-UP; PF61-UP						
	4827647		I-U-10	1-1/4	3	CTC-5052263	93.03
LIFT							
	AH61-UP; EP31-UP; GM61-UP; KC61-UP; PF61-UP						
	4924510		I-U-10	50 mm	70 mm	CTC-3806119	112.76
TILT LH							
	AH61-UP; EP31-UP; GM61-UP; KC61-UP; PF61-UP						
	2935712		P-U-10	35 mm	75 mm	CTC-3712751	72.57
	2935712		Bushing	35 mm		CTC-2965140	12.16
TILT RH							
	AH61-UP; EP31-UP; GM61-UP; KC61-UP; PF61-UP						
	2935711		P-U-10	35 mm	75 mm	CTC-3712751	72.57
	2935711		Bushing	35 mm		CTC-2965140	12.16
MODEL 252B							
ANGLE BLADE							
	SCP1-4599						
	2259521		P-U-10	32 mm	63 mm	CTC-1771958	110.59
	2749930		I-U-10	35 mm	70 mm	CTC-2666140	65.50
BUCKET							
	SCP1-4599						
	1545018		P-U-10	30 mm	60 mm	CTC-1643213	106.19
	2781969		I-U-10	30 mm	60 mm	CTC-2781970	77.96
	2936264		I-U-10	30 mm	50 mm	CTC-2620941	40.30
GRAPPLE							
	SCP1-4599						
	1565512		P-U-10	30 mm	60 mm	CTC-1643213	106.19
	1649295		P-U-10	25 mm	40 mm	CTC-1725285	91.26
	2781975		I-U-10	30 mm	60 mm	CTC-2781970	77.96
LIFT							
	SCP1-4599						
	2303705		P-U-10	45 mm	65 mm	CTC-2186824	100.03
TILT							
	SCP1-4599						
	2749931		I-U-10	35 mm	70 mm	CTC-2666140	65.50
TILT LH							
	SCP1-4599						
	2303687		P-U-10	35 mm	70 mm	CTC-2186822	118.13

REPLACEMENT KITS FOR CATERPILLAR® EQUIPMENT

Loaders - Skid Steer							
APPLICATION	CYL #	Misc-Parts, Instructions, etc.	CODE	ROD	BORE	KIT #	List \$
MODEL 252B							
TILT RH							
SCP1-4599							
	2303697		P-U-10	35 mm	70 mm	CTC-2186822	118.13
MODEL 252B2							
ANGLE BLADE							
SCP4600-UP							
	2259521		P-U-10	32 mm	63 mm	CTC-1771958	110.59
	2749930		I-U-10	35 mm	70 mm	CTC-2666140	65.50
BUCKET							
SCP4600-UP							
	2781969		I-U-10	30 mm	60 mm	CTC-2781970	77.96
	2936264		I-U-10	30 mm	50 mm	CTC-2620941	40.30
GRAPPLE							
SCP4600-UP							
	1649295		P-U-10	25 mm	40 mm	CTC-1725285	91.26
	2550943		I-U-10	25 mm	40 mm	CTC-2863591	33.02
	2781975		I-U-10	30 mm	60 mm	CTC-2781970	77.96
LIFT							
SCP4600-UP							
	2303705		P-U-10	45 mm	65 mm	CTC-2186824	100.03
SCP6188-UP							
	2978699		P-U-10	45 mm	65 mm	CTC-3712737	74.88
TILT							
SCP4600-UP							
	2749931		I-U-10	35 mm	70 mm	CTC-2666140	65.50
TILT LH							
SCP4600-6187							
	2303687		P-U-10	35 mm	70 mm	CTC-2186822	118.13
SCP6188-UP							
	2956954		P-U-10	35 mm	70 mm	CTC-3712760	68.31
TILT RH							
SCP4600-6187							
	2303697		P-U-10	35 mm	70 mm	CTC-2186822	118.13
SCP6188-UP							
	2956953		P-U-10	35 mm	70 mm	CTC-3712760	68.31
MODEL 252B3							
ANGLE BLADE							
TNK1-UP							
	2259521		P-U-10	32 mm	63 mm	CTC-1771958	110.59
	2749930		I-U-10	35 mm	70 mm	CTC-2666140	65.50
BUCKET							
TNK1-UP							
	1545018		P-U-10	30 mm	60 mm	CTC-1643213	106.19
	2781969		I-U-10	30 mm	60 mm	CTC-2781970	77.96
	2936264		I-U-10	30 mm	50 mm	CTC-2620941	40.30
GRAPPLE							
TNK1-UP							
	2550943		I-U-10	25 mm	40 mm	CTC-2863591	33.02
	2781975		I-U-10	30 mm	60 mm	CTC-2781970	77.96
LIFT							
TNK1-UP							
	2978699		P-U-10	45 mm	65 mm	CTC-3712737	74.88
	2978699		Bushing	45 mm		CTC-2965141	14.22
TILT							
TNK1-UP							
	2749931		I-U-10	35 mm	70 mm	CTC-2666140	65.50

REPLACEMENT KITS FOR CATERPILLAR® EQUIPMENT

Loaders - Skid Steer							
APPLICATION	CYL #	Misc-Parts, Instructions, etc.	CODE	ROD	BORE	KIT #	List \$
MODEL 252B3							
TILT LH							
TNK1-UP							
	2956954		P-U-10	35 mm	70 mm	CTC-3712760	68.31
	2956954		Bushing	35 mm		CTC-2965140	12.16
TILT RH							
TNK1-UP							
	2956953		P-U-10	35 mm	70 mm	CTC-3712760	68.31
	2956953		Bushing	35 mm		CTC-2965140	12.16
MODEL 262							
ANGLE BLADE							
CED1-UP							
	2259521		P-U-10	32 mm	63 mm	CTC-1771958	110.59
	2749930		I-U-10	35 mm	70 mm	CTC-2666140	65.50
BUCKET							
CED1-UP							
	1545018		P-U-10	30 mm	60 mm	CTC-1643213	106.19
	2781969		I-U-10	30 mm	60 mm	CTC-2781970	77.96
	2936264		I-U-10	30 mm	50 mm	CTC-2620941	40.30
GRAPPLE							
CED1-UP							
	1565512		P-U-10	30 mm	60 mm	CTC-1643213	106.19
	1649295		P-U-10	25 mm	40 mm	CTC-1725285	91.26
	2781975		I-U-10	30 mm	60 mm	CTC-2781970	77.96
LIFT							
CED1-UP							
	1908041		P-U-10	45 mm	65 mm	CTC-2063805	157.16
TILT							
CED1-UP							
	2749931		I-U-10	35 mm	70 mm	CTC-2666140	65.50
TILT LH							
CED1-UP							
	1779566		P-U-10	35 mm	70 mm	CTC-1429192	76.89
TILT RH							
CED1-UP							
	1779565		P-U-10	35 mm	70 mm	CTC-1429192	76.89
MODEL 262B							
ANGLE BLADE							
PDT1-UP							
	2259521		P-U-10	32 mm	63 mm	CTC-1771958	110.59
	2749930		I-U-10	35 mm	70 mm	CTC-2666140	65.50
BUCKET							
PDT1-UP							
	1545018		P-U-10	30 mm	60 mm	CTC-1643213	106.19
	2781969		I-U-10	30 mm	60 mm	CTC-2781970	77.96
	2936264		I-U-10	30 mm	50 mm	CTC-2620941	40.30
GRAPPLE							
PDT1-UP							
	1565512		P-U-10	30 mm	60 mm	CTC-1643213	106.19
	1649295		P-U-10	25 mm	40 mm	CTC-1725285	91.26
	2781975		I-U-10	30 mm	60 mm	CTC-2781970	77.96
LIFT							
PDT1-UP							
	2303705		P-U-10	45 mm	65 mm	CTC-2186824	100.03
TILT							
PDT1-UP							
	2749931		I-U-10	35 mm	70 mm	CTC-2666140	65.50

REPLACEMENT KITS FOR CATERPILLAR® EQUIPMENT

Loaders - Skid Steer							
APPLICATION	CYL #	Misc-Parts, Instructions, etc.	CODE	ROD	BORE	KIT #	List \$
MODEL 262B							
TILT LH							
	PDT1-UP						
	2303687		P-U-10	35 mm	70 mm	CTC-2186822	118.13
TILT RH							
	PDT1-UP						
	2303697		P-U-10	35 mm	70 mm	CTC-2186822	118.13
MODEL 262C							
ANGLE BLADE							
	MST1-UP						
	225952		P-U-10	32 mm	63 mm	CTC-1771958	110.59
	2749930		I-U-10	35 mm	70 mm	CTC-2666140	65.50
BUCKET							
	MST1-UP						
	1545018		P-U-10	30 mm	60 mm	CTC-1643213	106.19
	2781969		I-U-10	30 mm	60 mm	CTC-2781970	77.96
	2936264		I-U-10	30 mm	50 mm	CTC-2620941	40.30
GRAPPLE							
	MST1-UP						
	1649295		P-U-10	25 mm	40 mm	CTC-1725285	91.26
	2550943		I-U-10	25 mm	40 mm	CTC-2863591	33.02
	2781975		I-U-10	30 mm	60 mm	CTC-2781970	77.96
LIFT							
	MST1-3376						
	2582516		P-U-10	45 mm	65 mm	CTC-2186824	100.03
	MST1860-UP						
	2935713		P-U-10	45 mm	65 mm	CTC-3712737	74.88
TILT							
	MST1-UP						
	2749931		I-U-10	35 mm	70 mm	CTC-2666140	65.50
TILT LH							
	MST1-3357						
	2582515		P-U-10	35 mm	75 mm	CTC-2583621	72.98
	MST1860-UP						
	2935712		P-U-10	35 mm	75 mm	CTC-3712751	72.57
TILT RH							
	MST1-3357						
	2582514		P-U-10	35 mm	75 mm	CTC-2583621	72.98
	MST1860-UP						
	2935711		P-U-10	35 mm	75 mm	CTC-3712751	72.57
MODEL 262C2							
ANGLE BLADE							
	TMW1-UP						
	2749930		I-U-10	35 mm	70 mm	CTC-2666140	65.50
BUCKET							
	TMW1-UP						
	2781969		I-U-10	30 mm	60 mm	CTC-2781970	77.96
	2936264		I-U-10	30 mm	50 mm	CTC-2620941	40.30
GRAPPLE							
	TMW1-UP						
	2550943		I-U-10	25 mm	40 mm	CTC-2863591	33.02
	2781975		I-U-10	30 mm	60 mm	CTC-2781970	77.96
LIFT							
	TMW1-UP						
	2935713		P-U-10	45 mm	65 mm	CTC-3712737	74.88
	2935713		Bushing	45 mm		CTC-2965141	14.22

REPLACEMENT KITS FOR CATERPILLAR® EQUIPMENT

Loaders - Skid Steer							
APPLICATION	CYL #	Misc-Parts, Instructions, etc.	CODE	ROD	BORE	KIT #	List \$
MODEL 262C2							
TILT							
	TMW1-UP						
	2749931		I-U-10	35 mm	70 mm	CTC-2666140	65.50
TILT LH							
	TMW1-UP						
	2935712		P-U-10	35 mm	75 mm	CTC-3712751	72.57
	2935712		Bushing	35 mm		CTC-2965140	12.16
TILT RH							
	TMW1-UP						
	2935711		P-U-10	35 mm	75 mm	CTC-3712751	72.57
	2935711		Bushing	35 mm		CTC-2965140	12.16
MODEL 262D							
ANGLE BLADE							
	DTB1-UP; KTS1-UP; LST1-UP						
	2749930		I-U-10	35 mm	70 mm	CTC-2666140	65.50
BUCKET							
	DTB1-UP; KTS1-UP; LST1-UP						
	2781969		I-U-10	30 mm	60 mm	CTC-2781970	77.96
GRAPPLE							
	DTB1-UP; KTS1-UP; LST1-UP						
	2550943		I-U-10	25 mm	40 mm	CTC-2863591	33.02
LIFT							
	DTB1-UP; KTS1-UP; LST1-UP						
	3779483		P-U-10	45 mm	65 mm	CTC-3712737	74.88
	3779483		Bushing	45 mm		CTC-2965141	14.22
TILT							
	DTB1-UP; KTS1-UP; LST1-UP						
	2749931		I-U-10	35 mm	70 mm	CTC-2666140	65.50
TILT LH							
	DTB1-UP; KTS1-UP; LST1-UP						
	2935712		P-U-10	35 mm	75 mm	CTC-3712751	72.57
	2935712		Bushing	35 mm		CTC-2965140	12.16
TILT RH							
	DTB1-UP; KTS1-UP; LST1-UP						
	2935711		P-U-10	35 mm	75 mm	CTC-3712751	72.57
	2935711		Bushing	35 mm		CTC-2965140	12.16
MODEL 262D3							
BUCKET							
	BT21-UP; W6E1-UP; ZB21-UP						
	2781969		I-U-10	30 mm	60 mm	CTC-2781970	77.96
	5622803		P-U-10	30 mm	60 mm	CTC-5799491	107.79
	5660409		P-U-10	30 mm	60 mm	CTC-5918076	121.44
	TP31-UP; TP41-UP; TP61-UP; TP71-UP						
	5660409		P-U-10	30 mm	60 mm	CTC-5918076	121.44
COUPLER							
	BT21-UP; EP81-UP; MXJ1-UP; W6E1-UP; ZB21-UP						
	5154591		I-U-10	25 mm	50 mm	CTC-5187949	88.13
	TP31-UP; TP41-UP; TP61-UP; TP71-UP						
	5154591		I-U-10	25 mm	50 mm	CTC-5187949	88.13
GRAPPLE							
	BT21-UP; MXJ1-UP; W6E1-UP; ZB21-UP						
	4827647		I-U-10	1-1/4	3	CTC-5052263	93.03
LIFT							
	BT21-UP; EP81-UP; MXJ1-UP; W6E1-UP; ZB21-UP						
	4924507		P-U-10	45 mm	65 mm	CTC-3712737	74.88
	4924507		Bushing	45 mm		CTC-2965141	14.22

REPLACEMENT KITS FOR CATERPILLAR® EQUIPMENT

Loaders - Skid Steer							
APPLICATION	CYL #	Misc-Parts, Instructions, etc.	CODE	ROD	BORE	KIT #	List \$
MODEL 262D3							
TILT LH							
BT21-UP; EP81-UP; MXJ1-UP; W6E1-UP; ZB21-UP							
2935712			P-U-10	35 mm	75 mm	CTC-3712751	72.57
2935712			Bushing	35 mm		CTC-2965140	12.16
TILT RH							
BT21-UP; EP81-UP; MXJ1-UP; W6E1-UP; ZB21-UP							
2935711			P-U-10	35 mm	75 mm	CTC-3712751	72.57
2935711			Bushing	35 mm		CTC-2965140	12.16
MODEL 268B							
ANGLE BLADE							
LBA1-UP							
2259521			P-U-10	32 mm	63 mm	CTC-1771958	110.59
BUCKET							
LBA1-UP							
1545018			P-U-10	30 mm	60 mm	CTC-1643213	106.19
2781969			I-U-10	30 mm	60 mm	CTC-2781970	77.96
2936264			I-U-10	30 mm	50 mm	CTC-2620941	40.30
GRAPPLE							
LBA1-UP							
1565512			P-U-10	30 mm	60 mm	CTC-1643213	106.19
1649295			P-U-10	25 mm	40 mm	CTC-1725285	91.26
2550943			I-U-10	25 mm	40 mm	CTC-2863591	33.02
2781975			I-U-10	30 mm	60 mm	CTC-2781970	77.96
LIFT							
LBA1-UP							
2303705			P-U-10	45 mm	65 mm	CTC-2186824	100.03
TILT LH							
LBA1-UP							
2303687			P-U-10	35 mm	70 mm	CTC-2186822	118.13
TILT RH							
LBA1-UP							
2303697			P-U-10	35 mm	70 mm	CTC-2186822	118.13
MODEL 272C							
ANGLE BLADE							
RED1-UP							
2259521			P-U-10	32 mm	63 mm	CTC-1771958	110.59
2749930			I-U-10	35 mm	70 mm	CTC-2666140	65.50
BUCKET							
RED1-UP							
1545018			P-U-10	30 mm	60 mm	CTC-1643213	106.19
2781969			I-U-10	30 mm	60 mm	CTC-2781970	77.96
2936264			I-U-10	30 mm	50 mm	CTC-2620941	40.30
GRAPPLE							
RED1-UP							
1649295			P-U-10	25 mm	40 mm	CTC-1725285	91.26
2550943			I-U-10	25 mm	40 mm	CTC-2863591	33.02
2781975			I-U-10	30 mm	60 mm	CTC-2781970	77.96
LIFT							
RED1-2026; RED2029-2068							
2582516			P-U-10	45 mm	65 mm	CTC-2186824	100.03
RED2027-2028; RED2069-UP							
2935713			P-U-10	45 mm	65 mm	CTC-3712737	74.88
2935713			Bushing	45 mm		CTC-2965141	14.22
TILT							
RED1-UP							
2749931			I-U-10	35 mm	70 mm	CTC-2666140	65.50

REPLACEMENT KITS FOR CATERPILLAR® EQUIPMENT

Loaders - Skid Steer							
APPLICATION	CYL #	Misc-Parts, Instructions, etc.	CODE	ROD	BORE	KIT #	List \$
MODEL 272C							
TILT LH							
RED1-2026; RED2029-2064							
2582515			P-U-10	35 mm	75 mm	CTC-2583621	72.98
RED2027-2028; RED2065-UP							
2935712			P-U-10	35 mm	75 mm	CTC-3712751	72.57
2935712			Bushing	35 mm		CTC-2965140	12.16
TILT RH							
RED1-2026; RED2029-2064							
2582514			P-U-10	35 mm	75 mm	CTC-2583621	72.98
RED2027-2028; RED2065-UP							
2935711			P-U-10	35 mm	75 mm	CTC-3712751	72.57
2935711			Bushing	35 mm		CTC-2965140	12.16
MODEL 272D							
ANGLE BLADE							
BL21-UP; MD21-UP							
2259521			P-U-10	32 mm	63 mm	CTC-1771958	110.59
2749930			I-U-10	35 mm	70 mm	CTC-2666140	65.50
BUCKET							
BL21-UP; MD21-UP							
2781969			I-U-10	30 mm	60 mm	CTC-2781970	77.96
2936264			I-U-10	30 mm	50 mm	CTC-2620941	40.30
COUPLER							
BL21-UP; MD21-UP							
5154591			I-U-10	25 mm	50 mm	CTC-5187949	88.13
GRAPPLE							
BL21-UP; MD21-UP							
2550943			I-U-10	25 mm	40 mm	CTC-2863591	33.02
2781975			I-U-10	30 mm	60 mm	CTC-2781970	77.96
4817387			I-U-10	1-1/4	3	CTC-5052263	93.03
LIFT							
BL21-UP; MD21-UP							
4924504			I-U-10	50 mm	70 mm	CTC-3806119	112.76
TILT							
BL21-UP; MD21-UP							
2749931			I-U-10	35 mm	70 mm	CTC-2666140	65.50
TILT LH							
BL21-UP; MD21-UP							
2935712			P-U-10	35 mm	75 mm	CTC-3712751	72.57
2935712			Bushing	35 mm		CTC-2965140	12.16
TILT RH							
BL21-UP; MD21-UP							
2935711			P-U-10	35 mm	75 mm	CTC-3712751	72.57
2935711			Bushing	35 mm		CTC-2965140	12.16
MODEL 272D XHP							
ANGLE BLADE							
BL21-UP; MD21-UP							
2259521			P-U-10	32 mm	63 mm	CTC-1771958	110.59
2749930			I-U-10	35 mm	70 mm	CTC-2666140	65.50
BUCKET							
BL21-UP; MD21-UP							
2781969			I-U-10	30 mm	60 mm	CTC-2781970	77.96
2936264			I-U-10	30 mm	50 mm	CTC-2620941	40.30
COUPLER							
BL21-UP; MD21-UP							
5154591			I-U-10	25 mm	50 mm	CTC-5187949	88.13

CATERPILLAR®

REPLACEMENT KITS FOR CATERPILLAR® EQUIPMENT

Loaders - Skid Steer							
APPLICATION	CYL #	Misc-Parts, Instructions, etc.	CODE	ROD	BORE	KIT #	List \$
MODEL 272D XHP							
GRAPPLE							
BL21-UP; MD21-UP							
	2550943		I-U-10	25 mm	40 mm	CTC-2863591	33.02
	2781975		I-U-10	30 mm	60 mm	CTC-2781970	77.96
	4817387		I-U-10	1-1/4	3	CTC-5052263	93.03
LIFT							
BL21-UP; MD21-UP							
	4924504		I-U-10	50 mm	70 mm	CTC-3806119	112.76
TILT							
BL21-UP; MD21-UP							
	2749931		I-U-10	35 mm	70 mm	CTC-2666140	65.50
TILT LH							
BL21-UP; MD21-UP							
	2935712		P-U-10	35 mm	75 mm	CTC-3712751	72.57
	2935712		Bushing	35 mm		CTC-2965140	12.16
TILT RH							
BL21-UP; MD21-UP							
	2935711		P-U-10	35 mm	75 mm	CTC-3712751	72.57
	2935711		Bushing	35 mm		CTC-2965140	12.16
MODEL 272D2							
ANGLE							
B5W1-UP; BL21-UP; MD21-UP							
	2749930		I-U-10	35 mm	70 mm	CTC-2666140	65.50
ANGLE BLADE							
B5W1-UP; BL21-UP; MD21-UP							
	2259521		P-U-10	32 mm	63 mm	CTC-1771958	110.59
BUCKET							
B5W1-UP; BL21-UP; MD21-UP							
	2781969		I-U-10	30 mm	60 mm	CTC-2781970	77.96
	2936264		I-U-10	30 mm	50 mm	CTC-2620941	40.30
	5622803		P-U-10	30 mm	60 mm	CTC-5799491	107.79
COUPLER							
B5W1-UP; BL21-UP; MD21-UP							
	5154591		I-U-10	25 mm	50 mm	CTC-5187949	88.13
GRAPPLE							
B5W1-UP; BL21-UP; MD21-UP							
	2550943		I-U-10	25 mm	40 mm	CTC-2863591	33.02
	2781975		I-U-10	30 mm	60 mm	CTC-2781970	77.96
	4817387		I-U-10	1-1/4	3	CTC-5052263	93.03
	5622802		P-U-10	30 mm	60 mm	CTC-5799491	107.79
LIFT							
B5W1-UP; BL21-UP; MD21-UP							
	4924504		I-U-10	50 mm	70 mm	CTC-3806119	112.76
TILT							
B5W1-UP; BL21-UP; MD21-UP							
	2749931		I-U-10	35 mm	70 mm	CTC-2666140	65.50
TILT LH							
B5W1-UP; BL21-UP; MD21-UP							
	2935712		P-U-10	35 mm	75 mm	CTC-3712751	72.57
	2935712		Bushing	35 mm		CTC-2965140	12.16
TILT RH							
B5W1-UP; BL21-UP; MD21-UP							
	2935711		P-U-10	35 mm	75 mm	CTC-3712751	72.57
	2935711		Bushing	35 mm		CTC-2965140	12.16

REPLACEMENT KITS FOR CATERPILLAR® EQUIPMENT

Loaders - Skid Steer							
APPLICATION	CYL #	Misc-Parts, Instructions, etc.	CODE	ROD	BORE	KIT #	List \$
MODEL 272D2 XHP							
ANGLE							
BL21-UP; ETL1-UP; MD21-UP							
	2749930		I-U-10	35 mm	70 mm	CTC-2666140	65.50
ANGLE BLADE							
BL21-UP; ETL1-UP; MD21-UP							
	2259521		P-U-10	32 mm	63 mm	CTC-1771958	110.59
BUCKET							
BL21-UP; ETL1-UP; MD21-UP							
	2781969		I-U-10	30 mm	60 mm	CTC-2781970	77.96
	2936264		I-U-10	30 mm	50 mm	CTC-2620941	40.30
	5622803		P-U-10	30 mm	60 mm	CTC-5799491	107.79
COUPLER							
BL21-UP; ETL1-UP; MD21-UP							
	5154591		I-U-10	25 mm	50 mm	CTC-5187949	88.13
GRAPPLE							
BL21-UP; ETL1-UP; MD21-UP							
	2550943		I-U-10	25 mm	40 mm	CTC-2863591	33.02
	2781975		I-U-10	30 mm	60 mm	CTC-2781970	77.96
	4817387		I-U-10	1-1/4	3	CTC-5052263	93.03
	5622802		P-U-10	30 mm	60 mm	CTC-5799491	107.79
LIFT							
BL21-UP; ETL1-UP; MD21-UP							
	4924504		I-U-10	50 mm	70 mm	CTC-3806119	112.76
TILT							
BL21-UP; ETL1-UP; MD21-UP							
	2749931		I-U-10	35 mm	70 mm	CTC-2666140	65.50
TILT LH							
BL21-UP; ETL1-UP; MD21-UP							
	2935712		P-U-10	35 mm	75 mm	CTC-3712751	72.57
	2935712		Bushing	35 mm		CTC-2965140	12.16
TILT RH							
BL21-UP; ETL1-UP; MD21-UP							
	2935711		P-U-10	35 mm	75 mm	CTC-3712751	72.57
	2935711		Bushing	35 mm		CTC-2965140	12.16
MODEL 272D3							
BUCKET							
GJ21-UP; HX21-UP; L321-UP; S1L1-UP							
	2781969		I-U-10	30 mm	60 mm	CTC-2781970	77.96
	5622803		P-U-10	30 mm	60 mm	CTC-5799491	107.79
	5660409		P-U-10	30 mm	60 mm	CTC-5918076	121.44
COUPLER							
GJ21-UP; HX21-UP; L321-UP; S1L1-UP							
	5154591		I-U-10	25 mm	50 mm	CTC-5187949	88.13
GRAPPLE							
GJ21-UP; HX21-UP; L321-UP; S1L1-UP							
	2550943		I-U-10	25 mm	40 mm	CTC-2863591	33.02
	4827647		I-U-10	1-1/4	3	CTC-5052263	93.03
LIFT							
GJ21-UP; HX21-UP; L321-UP; S1L1-UP							
	4924504		I-U-10	50 mm	70 mm	CTC-3806119	112.76
TILT LH							
GJ21-UP; HX21-UP; L321-UP; S1L1-UP							
	2935712		P-U-10	35 mm	75 mm	CTC-3712751	72.57
	2935712		Bushing	35 mm		CTC-2965140	12.16

CATERPILLAR®

REPLACEMENT KITS FOR CATERPILLAR® EQUIPMENT

Loaders - Skid Steer							
APPLICATION	CYL #	Misc-Parts, Instructions, etc.	CODE	ROD	BORE	KIT #	List \$
MODEL 272D3							
TILT RH							
GJ21-UP; HX21-UP; L321-UP; S1L1-UP							
2935711			P-U-10	35 mm	75 mm	CTC-3712751	72.57
2935711			Bushing	35 mm		CTC-2965140	12.16
MODEL 272D3 XE							
BUCKET							
TP91-UP; TY31-UP; TY41-UP; TY61-UP							
5660409			P-U-10	30 mm	60 mm	CTC-5918076	121.44
COUPLER							
TP91-UP; TY31-UP; TY41-UP; TY61-UP							
5154591			I-U-10	25 mm	50 mm	CTC-5187949	88.13
MODEL 272D3 XHP							
BUCKET							
GJ21-UP; HX21-UP; L321-UP; S1L1-UP							
2781969			I-U-10	30 mm	60 mm	CTC-2781970	77.96
5622803			P-U-10	30 mm	60 mm	CTC-5799491	107.79
5660409			P-U-10	30 mm	60 mm	CTC-5918076	121.44
COUPLER							
GJ21-UP; HX21-UP; L321-UP; S1L1-UP							
5154591			I-U-10	25 mm	50 mm	CTC-5187949	88.13
GRAPPLE							
GJ21-UP; HX21-UP; L321-UP; S1L1-UP							
2550943			I-U-10	25 mm	40 mm	CTC-2863591	33.02
4827647			I-U-10	1-1/4	3	CTC-5052263	93.03
LIFT							
GJ21-UP; HX21-UP; L321-UP; S1L1-UP							
4924504			I-U-10	50 mm	70 mm	CTC-3806119	112.76
TILT LH							
GJ21-UP; HX21-UP; L321-UP; S1L1-UP							
2935712			P-U-10	35 mm	75 mm	CTC-3712751	72.57
2935712			Bushing	35 mm		CTC-2965140	12.16
TILT RH							
GJ21-UP; HX21-UP; L321-UP; S1L1-UP							
2935711			P-U-10	35 mm	75 mm	CTC-3712751	72.57
2935711			Bushing	35 mm		CTC-2965140	12.16
Loaders - Track Skid Steer							
APPLICATION	CYL #	Misc-Parts, Instructions, etc.	CODE	ROD	BORE	KIT #	List \$
MODEL 232B							
ANGLE BLADE							
SCH1-2474							
2259521			P-U-10	32 mm	63 mm	CTC-1771958	110.59
2749930			I-U-10	35 mm	70 mm	CTC-2666140	65.50
BUCKET							
SCH1-2474							
1545018			P-U-10	30 mm	60 mm	CTC-1643213	106.19
2781969			I-U-10	30 mm	60 mm	CTC-2781970	77.96
2936264			I-U-10	30 mm	50 mm	CTC-2620941	40.30
GRAPPLE							
SCH1-2474							
1565512			P-U-10	30 mm	60 mm	CTC-1643213	106.19
1649295			P-U-10	25 mm	40 mm	CTC-1725285	91.26
2550943			I-U-10	25 mm	40 mm	CTC-2863591	33.02
2781975			I-U-10	30 mm	60 mm	CTC-2781970	77.96
LIFT							
SCH1-2474							
2303703			P-U-10	45 mm	60 mm	CTC-2186827	91.87

REPLACEMENT KITS FOR CATERPILLAR® EQUIPMENT

Loaders - Track Skid Steer							
APPLICATION	CYL #	Misc-Parts, Instructions, etc.	CODE	ROD	BORE	KIT #	List \$
MODEL 232B							
LIFT							
SCH1-2474							
	1919641		P-U-10	45 mm	60 mm	CTC-1919605	114.44
TILT							
SCH1-2474							
	2749931		I-U-10	35 mm	70 mm	CTC-2666140	65.50
TILT LH							
SCH1-2474							
	1779569		P-U-10	30 mm	65 mm	CTC-1428963	158.33
	2303684		P-U-10	30 mm	65 mm	CTC-2186825	91.47
TILT RH							
SCH1-2474							
	1779568		P-U-10	30 mm	65 mm	CTC-1428963	158.33
	2303694		P-U-10	30 mm	65 mm	CTC-2186825	91.47
MODEL 232B2							
ANGLE BLADE							
SCH2475-UP							
	2259521		P-U-10	32 mm	63 mm	CTC-1771958	110.59
	2749930		I-U-10	35 mm	70 mm	CTC-2666140	65.50
BUCKET							
SCH2475-UP							
	2781969		I-U-10	30 mm	60 mm	CTC-2781970	77.96
	2936264		I-U-10	30 mm	50 mm	CTC-2620941	40.30
GRAPPLE							
SCH2475-UP							
	1649295		P-U-10	25 mm	40 mm	CTC-1725285	91.26
	2550943		I-U-10	25 mm	40 mm	CTC-2863591	33.02
	2781975		I-U-10	30 mm	60 mm	CTC-2781970	77.96
LIFT							
SCH2475-UP							
	2303703		P-U-10	45 mm	60 mm	CTC-2186827	91.87
	2935709		P-U-10	45 mm	60 mm	CTC-3712727	66.35
	2935709		Bushing	45 mm		CTC-2965141	14.22
TILT							
SCH2475-UP							
	2749931		I-U-10	35 mm	70 mm	CTC-2666140	65.50
TILT LH							
SCH2475-UP							
	2303684		P-U-10	30 mm	65 mm	CTC-2186825	91.47
	2935708		P-U-10	30 mm	65 mm	CTC-3712718	73.29
	2935708		Bushing	30 mm		CTC-2965139	10.97
TILT RH							
SCH2475-UP							
	2303694		P-U-10	30 mm	65 mm	CTC-2186825	91.47
	2935707		P-U-10	30 mm	65 mm	CTC-3712718	73.29
	2935707		Bushing	30 mm		CTC-2965139	10.97
MODEL 232D							
ANGLE BLADE							
DPR1-UP; KXC1-UP							
	2749930		I-U-10	35 mm	70 mm	CTC-2666140	65.50
BUCKET							
DPR1-UP; KXC1-UP							
	2781969		I-U-10	30 mm	60 mm	CTC-2781970	77.96
	5622803		P-U-10	30 mm	60 mm	CTC-5799491	107.79

REPLACEMENT KITS FOR CATERPILLAR® EQUIPMENT

Loaders - Track Skid Steer							
APPLICATION	CYL #	Misc-Parts, Instructions, etc.	CODE	ROD	BORE	KIT #	List \$
MODEL 232D							
COUPLER							
DPR1-UP; KXC1-UP							
	5154591		I-U-10	25 mm	50 mm	CTC-5187949	88.13
GRAPPLE							
DPR1-UP; KXC1-UP							
	4827647		I-U-10	1-1/4	3	CTC-5052263	93.03
LIFT							
DPR1-UP; KXC1-UP							
	4572318		P-U-10	45 mm	65 mm	CTC-3712737	74.88
	4572318		Bushing	45 mm		CTC-2965141	14.22
	4572361		P-U-10	45 mm	65 mm	CTC-3712737	74.88
	4572361		Bushing	45 mm		CTC-2965141	14.22
TILT							
DPR1-UP; KXC1-UP							
	2749931		I-U-10	35 mm	70 mm	CTC-2666140	65.50
TILT LH							
DPR1-UP; KXC1-UP							
	4571619		P-U-10	30 mm	65 mm	CTC-3712718	73.29
	4571619		Bushing	30 mm		CTC-2965139	10.97
TILT RH							
DPR1-UP; KXC1-UP							
	4571613		P-U-10	30 mm	65 mm	CTC-3712718	73.29
	4571613		Bushing	30 mm		CTC-2965139	10.97
MODEL 239D							
ANGLE BLADE							
BL91-UP; CD41-UP							
	2749930		I-U-10	35 mm	70 mm	CTC-2666140	65.50
BUCKET							
BL91-UP; CD41-UP							
	2781969		I-U-10	30 mm	60 mm	CTC-2781970	77.96
COUPLER							
BL91-UP; CD41-UP							
	5154591		I-U-10	25 mm	50 mm	CTC-5187949	88.13
GRAPPLE							
BL91-UP; CD41-UP							
	4817387		I-U-10	1-1/4	3	CTC-5052263	93.03
LIFT							
BL91-UP; CD41-UP							
	4321218		P-U-10	40 mm	55 mm	CTC-4397329	60.52
	4321218		Bushing	40 mm		CTC-2974130	5.36
TILT							
BL91-UP; CD41-UP							
	2749931		I-U-10	35 mm	70 mm	CTC-2666140	65.50
	4571613		P-U-10	30 mm	65 mm	CTC-3712718	73.29
	4571613		Bushing	30 mm		CTC-2965139	10.97
	4571619		P-U-10	30 mm	65 mm	CTC-3712718	73.29
	4571619		Bushing	30 mm		CTC-2965139	10.97
TRACK ADJUSTER							
BL91-UP; CD41-UP							
	4209806		TRK ADJ			CTC-SK100207	43.57
MODEL 239D3							
ANGLE BLADE							
K5S1-UP							
	2259521		P-U-10	32 mm	63 mm	CTC-1771958	110.59
	2749930		I-U-10	35 mm	70 mm	CTC-2666140	65.50
	4893905		I-U-10	1-1/2	2-1/2	CTC-5052264	45.14

REPLACEMENT KITS FOR CATERPILLAR® EQUIPMENT

Loaders - Track Skid Steer							
APPLICATION	CYL #	Misc-Parts, Instructions, etc.	CODE	ROD	BORE	KIT #	List \$
MODEL 239D3							
BUCKET							
HC91-UP; K5S1-UP; KE91-UP							
2781969			I-U-10	30 mm	60 mm	CTC-2781970	77.96
5660409			P-U-10	30 mm	60 mm	CTC-5918076	121.44
HC91-UP; KE91-UP							
5622803			P-U-10	30 mm	60 mm	CTC-5799491	107.79
K5S1-UP							
2936264			I-U-10	30 mm	50 mm	CTC-2620941	40.30
COUPLER							
HC91-UP; K5S1-UP; KE91-UP; RWK1-UP							
5154591			I-U-10	25 mm	50 mm	CTC-5187949	88.13
GRAPPLE							
HC91-UP; K5S1-UP; KE91-UP							
4817387			I-U-10	1-1/4	3	CTC-5052263	93.03
K5S1-UP							
1565512			P-U-10	30 mm	60 mm	CTC-1643213	106.19
2550943			I-U-10	25 mm	40 mm	CTC-2863591	33.02
2781975			I-U-10	30 mm	60 mm	CTC-2781970	77.96
5622800			P-U-10	30 mm	60 mm	CTC-5918076	121.44
5622802			P-U-10	30 mm	60 mm	CTC-5799491	107.79
LIFT							
HC91-UP; K5S1-UP; KE91-UP							
4321218			Bushing	40 mm		CTC-2974130	5.36
HC91-UP; K5S1-UP; KE91-UP; RWK1-UP							
5823329			P-U-10	40 mm	55 mm	CTC-6073564	79.46
K5S1-UP							
4321218			P-U-10	40 mm	55 mm	CTC-4397329	60.52
TILT							
K5S1-UP							
2749931			I-U-10	35 mm	70 mm	CTC-2666140	65.50
TILT LH							
HC91-UP; K5S1-UP; KE91-UP							
4571619			P-U-10	30 mm	65 mm	CTC-3712718	73.29
4571619			Bushing	30 mm		CTC-2965139	10.97
HC91-UP; K5S1-UP; KE91-UP; RWK1-UP							
5823330			P-U-10	30 mm	65 mm	CTC-6073565	81.19
TILT RH							
HC91-UP; K5S1-UP; KE91-UP							
4571613			P-U-10	30 mm	65 mm	CTC-3712718	73.29
4571613			Bushing	30 mm		CTC-2965139	10.97
HC91-UP; K5S1-UP; KE91-UP; RWK1-UP							
5823331			P-U-10	30 mm	65 mm	CTC-6073565	81.19
TRACK ADJUSTER							
HC91-UP; K5S1-UP; KE91-UP; RWK1-UP							
4209806			TRK ADJ			CTC-SK100207	43.57
MODEL 247B							
ANGLE BLADE							
MTL1-5074							
2259521			P-U-10	32 mm	63 mm	CTC-1771958	110.59
2749930			I-U-10	35 mm	70 mm	CTC-2666140	65.50
BUCKET							
MTL1-5074							
1545018			P-U-10	30 mm	60 mm	CTC-1643213	106.19
2781969			I-U-10	30 mm	60 mm	CTC-2781970	77.96
2936264			I-U-10	30 mm	50 mm	CTC-2620941	40.30

REPLACEMENT KITS FOR CATERPILLAR® EQUIPMENT

Loaders - Track Skid Steer							
APPLICATION	CYL #	Misc-Parts, Instructions, etc.	CODE	ROD	BORE	KIT #	List \$
MODEL 247B							
GRAPPLE							
MTL1-5074							
	1565512		P-U-10	30 mm	60 mm	CTC-1643213	106.19
	1649295		P-U-10	25 mm	40 mm	CTC-1725285	91.26
	2550943		I-U-10	25 mm	40 mm	CTC-2863591	33.02
	2781975		I-U-10	30 mm	60 mm	CTC-2781970	77.96
LIFT LH							
MTL1-5074							
	2303683		P-U-10	35 mm	50 mm	CTC-2186826	60.91
LIFT RH							
MTL1-5074							
	2303693		P-U-10	35 mm	50 mm	CTC-2186826	60.91
TILT							
MTL1-5074							
	2749931		I-U-10	35 mm	70 mm	CTC-2666140	65.50
TILT LH							
MTL1-5074							
	2303684		P-U-10	30 mm	65 mm	CTC-2186825	91.47
TILT RH							
MTL1-5074							
	2303694		P-U-10	30 mm	65 mm	CTC-2186825	91.47
MODEL 247B2							
ANGLE BLADE							
MTL5075-UP							
	2259521		P-U-10	32 mm	63 mm	CTC-1771958	110.59
	2749930		I-U-10	35 mm	70 mm	CTC-2666140	65.50
	2749931		I-U-10	35 mm	70 mm	CTC-2666140	65.50
BUCKET							
MTL5075-UP							
	2781969		I-U-10	30 mm	60 mm	CTC-2781970	77.96
	2936264		I-U-10	30 mm	50 mm	CTC-2620941	40.30
GRAPPLE							
MTL5075-UP							
	1649295		P-U-10	25 mm	40 mm	CTC-1725285	91.26
	2550943		I-U-10	25 mm	40 mm	CTC-2863591	33.02
	2781975		I-U-10	30 mm	60 mm	CTC-2781970	77.96
LIFT LH							
MTL5075-6744; MTL6751-6801							
	2303683		P-U-10	35 mm	50 mm	CTC-2186826	60.91
MTL6745-6750; MTL6802-UP							
	2935706		P-U-10	35 mm	50 mm	CTC-3712697	65.92
	2935706		Bushing	35 mm		CTC-2965140	12.16
LIFT RH							
MTL5075-6744; MTL6751-6801							
	2303693		P-U-10	35 mm	50 mm	CTC-2186826	60.91
MTL6745-6750; MTL6802-UP							
	2935705		P-U-10	35 mm	50 mm	CTC-3712697	65.92
	2935705		Bushing	35 mm		CTC-2965140	12.16
TILT LH							
MTL5075-6744; MTL6751-6801							
	2303684		P-U-10	30 mm	65 mm	CTC-2186825	91.47
MTL6745-6750; MTL6802-UP							
	2935708		P-U-10	30 mm	65 mm	CTC-3712718	73.29
	2935708		Bushing	30 mm		CTC-2965139	10.97

REPLACEMENT KITS FOR CATERPILLAR® EQUIPMENT

Loaders - Track Skid Steer							
APPLICATION	CYL #	Misc-Parts, Instructions, etc.	CODE	ROD	BORE	KIT #	List \$
MODEL 247B2							
TILT RH							
MTL5075-6744; MTL6751-6801							
2303694			P-U-10	30 mm	65 mm	CTC-2186825	91.47
MTL6745-6750; MTL6802-UP							
2935707			P-U-10	30 mm	65 mm	CTC-3712718	73.29
2935707			Bushing	30 mm		CTC-2965139	10.97
MODEL 247B3							
ANGLE BLADE							
ESL1-UP; KB31-UP; TSL1-UP							
2259521			P-U-10	32 mm	63 mm	CTC-1771958	110.59
2749930			I-U-10	35 mm	70 mm	CTC-2666140	65.50
BUCKET							
ESL1-UP; KB31-UP; TSL1-UP							
2781969			I-U-10	30 mm	60 mm	CTC-2781970	77.96
2936264			I-U-10	30 mm	50 mm	CTC-2620941	40.30
KB31-UP; TSL1-UP							
1545018			P-U-10	30 mm	60 mm	CTC-1643213	106.19
GRAPPLE							
ESL1-UP; KB31-UP; TSL1-UP							
2550943			I-U-10	25 mm	40 mm	CTC-2863591	33.02
2781975			I-U-10	30 mm	60 mm	CTC-2781970	77.96
LIFT LH							
ESL1-UP; KB31-UP; TSL1-UP							
2935706			P-U-10	35 mm	50 mm	CTC-3712697	65.92
2935706			Bushing	35 mm		CTC-2965140	12.16
LIFT RH							
ESL1-UP; KB31-UP; TSL1-UP							
2935705			P-U-10	35 mm	50 mm	CTC-3712697	65.92
2935705			Bushing	35 mm		CTC-2965140	12.16
TILT							
ESL1-UP; KB31-UP; TSL1-UP							
2749931			I-U-10	35 mm	70 mm	CTC-2666140	65.50
TILT LH							
ESL1-UP; KB31-UP; TSL1-UP							
2935708			P-U-10	30 mm	65 mm	CTC-3712718	73.29
2935708			Bushing	30 mm		CTC-2965139	10.97
TILT RH							
ESL1-UP; KB31-UP; TSL1-UP							
2935707			P-U-10	30 mm	65 mm	CTC-3712718	73.29
2935707			Bushing	30 mm		CTC-2965139	10.97
MODEL 249D							
ANGLE BLADE							
AH91-UP; GWR1-UP							
2749930			I-U-10	35 mm	70 mm	CTC-2666140	65.50
BUCKET							
AH91-UP; GWR1-UP							
2781969			I-U-10	30 mm	60 mm	CTC-2781970	77.96
COUPLER							
AH91-UP; GWR1-UP							
5154591			I-U-10	25 mm	50 mm	CTC-5187949	88.13
GRAPPLE							
AH91-UP; GWR1-UP							
4817387			I-U-10	1-1/4	3	CTC-5052263	93.03

REPLACEMENT KITS FOR CATERPILLAR® EQUIPMENT

Loaders - Track Skid Steer							
APPLICATION	CYL #	Misc-Parts, Instructions, etc.	CODE	ROD	BORE	KIT #	List \$
MODEL 249D							
LIFT							
AH91-UP; GWR1-UP							
4572318			P-U-10	45 mm	65 mm	CTC-3712737	74.88
4572318			Bushing	45 mm		CTC-2965141	14.22
4572361			P-U-10	45 mm	65 mm	CTC-3712737	74.88
4572361			Bushing	45 mm		CTC-2965141	14.22
TILT							
AH91-UP; GWR1-UP							
2749931			I-U-10	35 mm	70 mm	CTC-2666140	65.50
4571613			P-U-10	30 mm	65 mm	CTC-3712718	73.29
4571613			Bushing	30 mm		CTC-2965139	10.97
4571619			P-U-10	30 mm	65 mm	CTC-3712718	73.29
4571619			Bushing	30 mm		CTC-2965139	10.97
TRACK ADJUSTER							
AH91-UP; GWR1-UP							
4209806			TRK ADJ			CTC-SK100207	43.57
MODEL 249D3							
ANGLE BLADE							
WS51-UP							
2259521			P-U-10	32 mm	63 mm	CTC-1771958	110.59
2749930			I-U-10	35 mm	70 mm	CTC-2666140	65.50
4893905			I-U-10	1-1/2	2-1/2	CTC-5052264	45.14
BUCKET							
P9C1-UP; R9E1-UP; WKD1-UP							
5622803			P-U-10	30 mm	60 mm	CTC-5799491	107.79
P9C1-UP; R9E1-UP; WKD1-UP; WS51-UP							
2781969			I-U-10	30 mm	60 mm	CTC-2781970	77.96
P9C1-UP; R9E1-UP; WS51-UP							
5660409			P-U-10	30 mm	60 mm	CTC-5918076	121.44
WS51-UP							
2936264			I-U-10	30 mm	50 mm	CTC-2620941	40.30
COUPLER							
P9C1-UP; R9E1-UP; WKD1-UP; WS51-UP							
5154591			I-U-10	25 mm	50 mm	CTC-5187949	88.13
GRAPPLE							
P9C1-UP; R9E1-UP; WS51-UP							
4827647			I-U-10	1-1/4	3	CTC-5052263	93.03
WS51-UP							
1565512			P-U-10	30 mm	60 mm	CTC-1643213	106.19
2550943			I-U-10	25 mm	40 mm	CTC-2863591	33.02
2781975			I-U-10	30 mm	60 mm	CTC-2781970	77.96
5622800			P-U-10	30 mm	60 mm	CTC-5918076	121.44
5622802			P-U-10	30 mm	60 mm	CTC-5799491	107.79
LIFT LH							
P9C1-UP; R9E1-UP; WKD1-UP; WS51-UP							
4572361			P-U-10	45 mm	65 mm	CTC-3712737	74.88
4572361			Bushing	45 mm		CTC-2965141	14.22
LIFT RH							
P9C1-UP; R9E1-UP; WKD1-UP; WS51-UP							
4572318			P-U-10	45 mm	65 mm	CTC-3712737	74.88
4572318			Bushing	45 mm		CTC-2965141	14.22
TILT							
WS51-UP							
2749931			I-U-10	35 mm	70 mm	CTC-2666140	65.50

REPLACEMENT KITS FOR CATERPILLAR® EQUIPMENT

Loaders - Track Skid Steer							
APPLICATION	CYL #	Misc-Parts, Instructions, etc.	CODE	ROD	BORE	KIT #	List \$
MODEL 249D3							
TILT LH							
P9C1-UP; R9E1-UP; WKD1-UP; WS51-UP							
4571619			P-U-10	30 mm	65 mm	CTC-3712718	73.29
4571619			Bushing	30 mm		CTC-2965139	10.97
5823330			P-U-10	30 mm	65 mm	CTC-6073565	81.19
TILT RH							
P9C1-UP; R9E1-UP; WKD1-UP; WS51-UP							
4571613			P-U-10	30 mm	65 mm	CTC-3712718	73.29
4571613			Bushing	30 mm		CTC-2965139	10.97
5823331			P-U-10	30 mm	65 mm	CTC-6073565	81.19
MODEL 257B							
ANGLE BLADE							
SLK1-7299							
2259521			P-U-10	32 mm	63 mm	CTC-1771958	110.59
2749930			I-U-10	35 mm	70 mm	CTC-2666140	65.50
BUCKET							
SLK1-7299							
1545018			P-U-10	30 mm	60 mm	CTC-1643213	106.19
2781969			I-U-10	30 mm	60 mm	CTC-2781970	77.96
2936264			I-U-10	30 mm	50 mm	CTC-2620941	40.30
GRAPPLE							
SLK1-7299							
1565512			P-U-10	30 mm	60 mm	CTC-1643213	106.19
1649295			P-U-10	25 mm	40 mm	CTC-1725285	91.26
2781975			I-U-10	30 mm	60 mm	CTC-2781970	77.96
LIFT							
SLK1-7299							
2303703			P-U-10	45 mm	60 mm	CTC-2186827	91.87
TILT							
SLK1-7299							
2749931			I-U-10	35 mm	70 mm	CTC-2666140	65.50
TILT LH							
SLK1-7299							
2303684			P-U-10	30 mm	65 mm	CTC-2186825	91.47
TILT RH							
SLK1-7299							
2303694			P-U-10	30 mm	65 mm	CTC-2186825	91.47
MODEL 257B2							
ANGLE BLADE							
SLK7300-UP							
2259521			P-U-10	32 mm	63 mm	CTC-1771958	110.59
2749930			I-U-10	35 mm	70 mm	CTC-2666140	65.50
BUCKET							
SLK7300-UP							
2781969			I-U-10	30 mm	60 mm	CTC-2781970	77.96
2936264			I-U-10	30 mm	50 mm	CTC-2620941	40.30
GRAPPLE							
SLK7300-UP							
1649295			P-U-10	25 mm	40 mm	CTC-1725285	91.26
2550943			I-U-10	25 mm	40 mm	CTC-2863591	33.02
2781975			I-U-10	30 mm	60 mm	CTC-2781970	77.96
LIFT							
SLK7300-UP							
2303703			P-U-10	45 mm	60 mm	CTC-2186827	91.87

REPLACEMENT KITS FOR CATERPILLAR® EQUIPMENT

Loaders - Track Skid Steer							
APPLICATION	CYL #	Misc-Parts, Instructions, etc.	CODE	ROD	BORE	KIT #	List \$
MODEL 257B2							
TILT							
	SLK7300-UP						
	2749931		I-U-10	35 mm	70 mm	CTC-2666140	65.50
TILT LH							
	SLK7300-UP						
	2303684		P-U-10	30 mm	65 mm	CTC-2186825	91.47
TILT RH							
	SLK7300-UP						
	2303694		P-U-10	30 mm	65 mm	CTC-2186825	91.47
MODEL 257B3							
ANGLE BLADE							
	B7H1-UP						
	2259521		P-U-10	32 mm	63 mm	CTC-1771958	110.59
	2749930		I-U-10	35 mm	70 mm	CTC-2666140	65.50
BUCKET							
	B7H1-UP						
	1545018		P-U-10	30 mm	60 mm	CTC-1643213	106.19
	2781969		I-U-10	30 mm	60 mm	CTC-2781970	77.96
	2936264		I-U-10	30 mm	50 mm	CTC-2620941	40.30
GRAPPLE							
	B7H1-UP						
	2550943		I-U-10	25 mm	40 mm	CTC-2863591	33.02
	2781975		I-U-10	30 mm	60 mm	CTC-2781970	77.96
LIFT							
	B7H1-UP						
	3294955		P-U-10	45 mm	65 mm	CTC-3712737	74.88
TILT							
	B7H1-UP						
	2749931		I-U-10	35 mm	70 mm	CTC-2666140	65.50
TILT LH							
	B7H1-UP						
	3294954		P-U-10	35 mm	70 mm	CTC-3712760	68.31
	3294954		Bushing	35 mm		CTC-2965140	12.16
TILT RH							
	B7H1-UP						
	3294953		P-U-10	35 mm	70 mm	CTC-3712760	68.31
	3294953		Bushing	35 mm		CTC-2965140	12.16
MODEL 257D							
ANGLE BLADE							
	EML1-UP; EZW1-UP; FMR1-UP						
	2259521		P-U-10	32 mm	63 mm	CTC-1771958	110.59
	2749930		I-U-10	35 mm	70 mm	CTC-2666140	65.50
BUCKET							
	EML1-UP; EZW1-UP; FMR1-UP						
	2781969		I-U-10	30 mm	60 mm	CTC-2781970	77.96
	2936264		I-U-10	30 mm	50 mm	CTC-2620941	40.30
COUPLER							
	EML1-UP; EZW1-UP; FMR1-UP						
	5154591		I-U-10	25 mm	50 mm	CTC-5187949	88.13
GRAPPLE							
	EML1-UP; EZW1-UP; FMR1-UP						
	2550943		I-U-10	25 mm	40 mm	CTC-2863591	33.02
	2781975		I-U-10	30 mm	60 mm	CTC-2781970	77.96
	4817387		I-U-10	1-1/4	3	CTC-5052263	93.03

REPLACEMENT KITS FOR CATERPILLAR® EQUIPMENT

Loaders - Track Skid Steer							
APPLICATION	CYL #	Misc-Parts, Instructions, etc.	CODE	ROD	BORE	KIT #	List \$
MODEL 257D							
LIFT							
EML1-UP; EZW1-UP; FMR1-UP							
3805668			P-U-10	45 mm	65 mm	CTC-3712737	74.88
TILT							
EML1-UP; EZW1-UP; FMR1-UP							
2749931			I-U-10	35 mm	70 mm	CTC-2666140	65.50
TILT LH							
EML1-UP; EZW1-UP; FMR1-UP							
3787964			P-U-10	35 mm	70 mm	CTC-3712760	68.31
TILT RH							
EML1-UP; EZW1-UP; FMR1-UP							
3787963			P-U-10	35 mm	70 mm	CTC-3712760	68.31
MODEL 257D3							
BUCKET							
FMA1-UP; KEZ1-UP; LM71-UP; S7E1-UP							
2781969			I-U-10	30 mm	60 mm	CTC-2781970	77.96
5622803			P-U-10	30 mm	60 mm	CTC-5799491	107.79
5660409			P-U-10	30 mm	60 mm	CTC-5918076	121.44
COUPLER							
FMA1-UP; KEZ1-UP; LM71-UP; S7E1-UP							
5154591			I-U-10	25 mm	50 mm	CTC-5187949	88.13
GRAPPLE							
FMA1-UP; KEZ1-UP; LM71-UP; S7E1-UP							
4827647			I-U-10	1-1/4	3	CTC-5052263	93.03
LIFT							
FMA1-UP; KEZ1-UP; LM71-UP; S7E1-UP							
3805668			P-U-10	45 mm	65 mm	CTC-3712737	74.88
3805668			Bushing	45 mm		CTC-2965141	14.22
TILT LH							
FMA1-UP; KEZ1-UP; LM71-UP; S7E1-UP							
3787964			P-U-10	35 mm	70 mm	CTC-3712760	68.31
3787964			Bushing	35 mm		CTC-2965140	12.16
TILT RH							
FMA1-UP; KEZ1-UP; LM71-UP; S7E1-UP							
3787963			P-U-10	35 mm	70 mm	CTC-3712760	68.31
3787963			Bushing	35 mm		CTC-2965140	12.16
MODEL 259B3							
ANGLE BLADE							
YYZ1-UP							
2259521			P-U-10	32 mm	63 mm	CTC-1771958	110.59
2749930			I-U-10	35 mm	70 mm	CTC-2666140	65.50
BUCKET							
YYZ1-UP							
1545018			P-U-10	30 mm	60 mm	CTC-1643213	106.19
2781969			I-U-10	30 mm	60 mm	CTC-2781970	77.96
2936264			I-U-10	30 mm	50 mm	CTC-2620941	40.30
GRAPPLE							
YYZ1-UP							
2550843			I-U-10	25 mm	40 mm	CTC-2863591	33.02
2781975			I-U-10	30 mm	60 mm	CTC-2781970	77.96
LIFT							
YYZ1-UP							
3294955			P-U-10	45 mm	65 mm	CTC-3712737	74.88
TILT							
YYZ1-UP							
2749931			I-U-10	35 mm	70 mm	CTC-2666140	65.50

REPLACEMENT KITS FOR CATERPILLAR® EQUIPMENT

Loaders - Track Skid Steer							
APPLICATION	CYL #	Misc-Parts, Instructions, etc.	CODE	ROD	BORE	KIT #	List \$
MODEL 259B3							
TILT LH							
YYZ1-UP							
	3294954		P-U-10	35 mm	70 mm	CTC-3712760	68.31
	3294954		Bushing	35 mm		CTC-2965140	12.16
TILT RH							
YYZ1-UP							
	3294953		P-U-10	35 mm	70 mm	CTC-3712760	68.31
	3294953		Bushing	35 mm		CTC-2965140	12.16
MODEL 259D							
ANGLE BLADE							
FTK1-UP; FTL1-UP; GTK1-UP							
	2259521		P-U-10	32 mm	63 mm	CTC-1771958	110.59
	2749930		I-U-10	35 mm	70 mm	CTC-2666140	65.50
BUCKET							
FTK1-UP; FTL1-UP; GTK1-UP							
	2781969		I-U-10	30 mm	60 mm	CTC-2781970	77.96
	2936264		I-U-10	30 mm	50 mm	CTC-2620941	40.30
GRAPPLE							
FTK1-UP; FTL1-UP; GTK1-UP							
	2550943		I-U-10	25 mm	40 mm	CTC-2863591	33.02
	2781975		I-U-10	30 mm	60 mm	CTC-2781970	77.96
LIFT							
FTK1-UP; FTL1-UP; GTK1-UP							
	3805668		P-U-10	45 mm	65 mm	CTC-3712737	74.88
	3805668		Bushing	45 mm		CTC-2965141	14.22
TILT							
FTK1-UP; FTL1-UP; GTK1-UP							
	2749931		I-U-10	35 mm	70 mm	CTC-2666140	65.50
TILT LH							
FTK1-UP; FTL1-UP; GTK1-UP							
	3787964		P-U-10	35 mm	70 mm	CTC-3712760	68.31
	3787964		Bushing	35 mm		CTC-2965140	12.16
TILT RH							
FTK1-UP; FTL1-UP; GTK1-UP							
	3787963		P-U-10	35 mm	70 mm	CTC-3712760	68.31
	3787963		Bushing	35 mm		CTC-2965140	12.16
MODEL 259D3							
BUCKET							
CW91-UP; MC91-UP; TE91-UP; TLS1-UP							
	2781969		I-U-10	30 mm	60 mm	CTC-2781970	77.96
	5622803		P-U-10	30 mm	60 mm	CTC-5799491	107.79
	5660409		P-U-10	30 mm	60 mm	CTC-5918076	121.44
COUPLER							
CW91-UP; MC91-UP; TE91-UP; TLS1-UP							
	5154591		I-U-10	25 mm	50 mm	CTC-5187949	88.13
GRAPPLE							
CW91-UP; MC91-UP; TE91-UP; TLS1-UP							
	4817387		I-U-10	1-1/4	3	CTC-5052263	93.03
LIFT							
CW91-UP; MC91-UP; TE91-UP; TLS1-UP							
	3805668		P-U-10	45 mm	65 mm	CTC-3712737	74.88
	3805668		Bushing	45 mm		CTC-2965141	14.22
TILT LH							
CW91-UP; MC91-UP; TE91-UP; TLS1-UP							
	3787964		P-U-10	35 mm	70 mm	CTC-3712760	68.31
	3787964		Bushing	35 mm		CTC-2965140	12.16

REPLACEMENT KITS FOR CATERPILLAR® EQUIPMENT

Loaders - Track Skid Steer							
APPLICATION	CYL #	Misc-Parts, Instructions, etc.	CODE	ROD	BORE	KIT #	List \$
MODEL 259D3							
TILT RH							
CW91-UP; MC91-UP; TE91-UP; TLS1-UP							
3787963			P-U-10	35 mm	70 mm	CTC-3712760	68.31
3787963			Bushing	35 mm		CTC-2965140	12.16
TRACK ADJUSTER							
CW91-UP; MC91-UP; TE91-UP; TLS1-UP							
3041898			TRK ADJ			CTC-SK100207	43.57
MODEL 267B							
ANGLE BLADE							
CYC1-UP							
2259521			P-U-10	32 mm	63 mm	CTC-1771958	110.59
2749930			I-U-10	35 mm	70 mm	CTC-2666140	65.50
BUCKET							
CYC1-UP							
1545018			P-U-10	30 mm	60 mm	CTC-1643213	106.19
2781969			I-U-10	30 mm	60 mm	CTC-2781970	77.96
2936264			I-U-10	30 mm	50 mm	CTC-2620941	40.30
GRAPPLE							
CYC1-UP							
1565512			P-U-10	30 mm	60 mm	CTC-1643213	106.19
1649295			P-U-10	25 mm	40 mm	CTC-1725285	91.26
2550943			I-U-10	25 mm	40 mm	CTC-2863591	33.02
2781975			I-U-10	30 mm	60 mm	CTC-2781970	77.96
LIFT LH							
CYC1-UP							
2303685			P-U-10	40 mm	60 mm	CTC-2186823	94.81
LIFT RH							
CYC1-UP							
2303695			P-U-10	40 mm	60 mm	CTC-2186823	94.81
TILT							
CYC1-UP							
2749931			I-U-10	35 mm	70 mm	CTC-2666140	65.50
TILT LH							
CYC1-UP							
2303687			P-U-10	35 mm	70 mm	CTC-2186822	118.13
TILT RH							
CYC1-UP							
2303697			P-U-10	35 mm	70 mm	CTC-2186822	118.13
MODEL 272D							
ANGLE BLADE							
B5W1-UP; GSL1-UP							
2749930			I-U-10	35 mm	70 mm	CTC-2666140	65.50
BUCKET							
B5W1-UP; GSL1-UP							
2781969			I-U-10	30 mm	60 mm	CTC-2781970	77.96
GRAPPLE							
B5W1-UP; GSL1-UP							
2550943			I-U-10	25 mm	40 mm	CTC-2863591	33.02
LIFT							
B5W1-UP; GSL1-UP							
3463785			I-U-10	50 mm	70 mm	CTC-3806119	112.76
TILT							
B5W1-UP; GSL1-UP							
2749931			I-U-10	35 mm	70 mm	CTC-2666140	65.50

REPLACEMENT KITS FOR CATERPILLAR® EQUIPMENT

Loaders - Track Skid Steer							
APPLICATION	CYL #	Misc-Parts, Instructions, etc.	CODE	ROD	BORE	KIT #	List \$
MODEL 272D							
TILT LH							
B5W1-UP; GSL1-UP							
	2935712		P-U-10	35 mm	75 mm	CTC-3712751	72.57
	2935712		Bushing	35 mm		CTC-2965140	12.16
TILT RH							
B5W1-UP; GSL1-UP							
	2935711		P-U-10	35 mm	75 mm	CTC-3712751	72.57
	2935711		Bushing	35 mm		CTC-2965140	12.16
MODEL 272D XHP							
ANGLE BLADE							
ETL1-UP							
	2749930		I-U-10	35 mm	70 mm	CTC-2666140	65.50
BUCKET							
ETL1-UP; SHY1-UP							
	2781969		I-U-10	30 mm	60 mm	CTC-2781970	77.96
GRAPPLE							
ETL1-UP; SHY1-UP							
	2550943		I-U-10	25 mm	40 mm	CTC-2863591	33.02
LIFT							
ETL1-UP; SHY1-UP							
	3463785		I-U-10	50 mm	70 mm	CTC-3806119	112.76
TILT							
ETL1-UP							
	2749931		I-U-10	35 mm	70 mm	CTC-2666140	65.50
TILT LH							
ETL1-UP; SHY1-UP							
	2935712		P-U-10	35 mm	75 mm	CTC-3712751	72.57
	2935712		Bushing	35 mm		CTC-2965140	12.16
TILT RH							
ETL1-UP; SHY1-UP							
	2935711		P-U-10	35 mm	75 mm	CTC-3712751	72.57
	2935711		Bushing	35 mm		CTC-2965140	12.16
MODEL 277B							
ANGLE BLADE							
MDH1-UP							
	2259521		P-U-10	32 mm	63 mm	CTC-1771958	110.59
	2749930		I-U-10	35 mm	70 mm	CTC-2666140	65.50
BUCKET							
MDH1-UP							
	1545018		P-U-10	30 mm	60 mm	CTC-1643213	106.19
	2781969		I-U-10	30 mm	60 mm	CTC-2781970	77.96
	2936264		I-U-10	30 mm	50 mm	CTC-2620941	40.30
GRAPPLE							
MDH1-UP							
	1565512		P-U-10	30 mm	60 mm	CTC-1643213	106.19
	1649295		P-U-10	25 mm	40 mm	CTC-1725285	91.26
	2550943		I-U-10	25 mm	40 mm	CTC-2863591	33.02
	2781975		I-U-10	30 mm	60 mm	CTC-2781970	77.96
LIFT LH							
MDH1-UP							
	2303685		P-U-10	40 mm	60 mm	CTC-2186823	94.81
LIFT RH							
MDH1-UP							
	2303695		P-U-10	40 mm	60 mm	CTC-2186823	94.81

REPLACEMENT KITS FOR CATERPILLAR® EQUIPMENT

Loaders - Track Skid Steer							
APPLICATION	CYL #	Misc-Parts, Instructions, etc.	CODE	ROD	BORE	KIT #	List \$
MODEL 277B							
TILT							
	MDH1-UP						
	2749931		I-U-10	35 mm	70 mm	CTC-2666140	65.50
TILT LH							
	MDH1-UP						
	2303687		P-U-10	35 mm	70 mm	CTC-2186822	118.13
TILT RH							
	MDH1-UP						
	2303697		P-U-10	35 mm	70 mm	CTC-2186822	118.13
MODEL 277C							
ANGLE BLADE							
	JWF1-UP						
	2259521		P-U-10	32 mm	63 mm	CTC-1771958	110.59
	2749930		I-U-10	35 mm	70 mm	CTC-2666140	65.50
BUCKET							
	JWF1-UP						
	1545018		P-U-10	30 mm	60 mm	CTC-1643213	106.19
	2781969		I-U-10	30 mm	60 mm	CTC-2781970	77.96
	2936264		I-U-10	30 mm	50 mm	CTC-2620941	40.30
GRAPPLE							
	JWF1-UP						
	1649295		P-U-10	25 mm	40 mm	CTC-1725285	91.26
	2550973		I-U-10	25 mm	40 mm	CTC-2863591	33.02
	2781975		I-U-10	30 mm	60 mm	CTC-2781970	77.96
LIFT							
	JWF1-2295; KCC1-199						
	2582512		P-U-10	45 mm	65 mm	CTC-2186824	100.03
	JWF1460-UP; KCC200-UP						
	2935710		P-U-10	45 mm	65 mm	CTC-3712737	74.88
	2935710		Bushing	45 mm		CTC-2965141	14.22
TILT							
	JWF1-UP						
	2749931		I-U-10	35 mm	70 mm	CTC-2666140	65.50
TILT LH							
	JWF1-2297; KCC1-204						
	2582515		P-U-10	35 mm	75 mm	CTC-2583621	72.98
	JWF1460-UP; KCC205-UP						
	2935712		P-U-10	35 mm	75 mm	CTC-3712751	72.57
	2935712		Bushing	35 mm		CTC-2965140	12.16
TILT RH							
	JWF1-2297; KCC1-204						
	2582514		P-U-10	35 mm	75 mm	CTC-2583621	72.98
	JWF1460-UP; KCC205-UP						
	2935711		P-U-10	35 mm	75 mm	CTC-3712751	72.57
	2935711		Bushing	35 mm		CTC-2965140	12.16
MODEL 277C2							
ANGLE BLADE							
	MET1-UP						
	2749930		I-U-10	35 mm	70 mm	CTC-2666140	65.50
BUCKET							
	MET1-UP						
	2781969		I-U-10	30 mm	60 mm	CTC-2781970	77.96
	2936264		I-U-10	30 mm	50 mm	CTC-2620941	40.30

REPLACEMENT KITS FOR CATERPILLAR® EQUIPMENT

Loaders - Track Skid Steer							
APPLICATION	CYL #	Misc-Parts, Instructions, etc.	CODE	ROD	BORE	KIT #	List \$
MODEL 277C2							
GRAPPLE							
MET1-UP							
	2550943		I-U-10	25 mm	40 mm	CTC-2863591	33.02
	2781975		I-U-10	30 mm	60 mm	CTC-2781970	77.96
LIFT							
MET1-UP							
	2935710		P-U-10	45 mm	65 mm	CTC-3712737	74.88
	2935710		Bushing	45 mm		CTC-2965141	14.22
TILT							
MET1-UP							
	2749931		I-U-10	35 mm	70 mm	CTC-2666140	65.50
TILT LH							
MET1-UP							
	2935712		P-U-10	35 mm	75 mm	CTC-3712751	72.57
	2935712		Bushing	35 mm		CTC-2965140	12.16
TILT RH							
MET1-UP							
	2935711		P-U-10	35 mm	75 mm	CTC-3712751	72.57
	2935711		Bushing	35 mm		CTC-2965140	12.16
MODEL 279C							
ANGLE BLADE							
MBT1-UP							
	2259521		P-U-10	32 mm	63 mm	CTC-1771958	110.59
	2749930		I-U-10	35 mm	70 mm	CTC-2666140	65.50
BUCKET							
MBT1-UP							
	2781969		I-U-10	30 mm	60 mm	CTC-2781970	77.96
	2936264		I-U-10	30 mm	50 mm	CTC-2620941	40.30
GRAPPLE							
MBT1-UP							
	2550943		I-U-10	25 mm	40 mm	CTC-2863591	33.02
	2781975		I-U-10	30 mm	60 mm	CTC-2781970	77.96
LIFT							
MBT1-UP							
	2582512		P-U-10	45 mm	65 mm	CTC-2186824	100.03
	2935710		P-U-10	45 mm	65 mm	CTC-3712737	74.88
	2935710		Bushing	45 mm		CTC-2965141	14.22
TILT							
MBT1-UP							
	2749931		I-U-10	35 mm	70 mm	CTC-2666140	65.50
TILT LH							
MBT1-UP							
	2582515		P-U-10	35 mm	75 mm	CTC-2583621	72.98
	2935712		P-U-10	35 mm	75 mm	CTC-3712751	72.57
	2935712		Bushing	35 mm		CTC-2965140	12.16
TILT RH							
MBT1-UP							
	2582514		P-U-10	35 mm	75 mm	CTC-2583621	72.98
	2935711		P-U-10	35 mm	75 mm	CTC-3712751	72.57
	2935711		Bushing	35 mm		CTC-2965140	12.16
MODEL 279C2							
ANGLE BLADE							
KWB1-UP							
	2749930		I-U-10	35 mm	70 mm	CTC-2666140	65.50

REPLACEMENT KITS FOR CATERPILLAR® EQUIPMENT

Loaders - Track Skid Steer							
APPLICATION	CYL #	Misc-Parts, Instructions, etc.	CODE	ROD	BORE	KIT #	List \$
MODEL 279C2							
BUCKET							
KWB1-UP							
	2781969		I-U-10	30 mm	60 mm	CTC-2781970	77.96
	2936264		I-U-10	30 mm	50 mm	CTC-2620941	40.30
GRAPPLE							
KWB1-UP							
	2550943		I-U-10	25 mm	40 mm	CTC-2863591	33.02
	2781975		I-U-10	30 mm	60 mm	CTC-2781970	77.96
LIFT							
KWB1-UP							
	2935710		P-U-10	45 mm	65 mm	CTC-3712737	74.88
	2935710		Bushing	45 mm		CTC-2965141	14.22
TILT							
KWB1-UP							
	2749931		I-U-10	35 mm	70 mm	CTC-2666140	65.50
TILT LH							
KWB1-UP							
	2935712		P-U-10	35 mm	75 mm	CTC-3712751	72.57
	2935712		Bushing	35 mm		CTC-2965140	12.16
TILT RH							
KWB1-UP							
	2935711		P-U-10	35 mm	75 mm	CTC-3712751	72.57
	2935711		Bushing	35 mm		CTC-2965140	12.16
MODEL 279D							
ANGLE BLADE							
GTL1-UP; PPT1-UP; RCX1-UP							
	2749930		I-U-10	35 mm	70 mm	CTC-2666140	65.50
BUCKET							
GTL1-UP; PPT1-UP; RCX1-UP							
	2781969		I-U-10	30 mm	60 mm	CTC-2781970	77.96
GRAPPLE							
GTL1-UP; PPT1-UP; RCX1-UP							
	2550943		I-U-10	25 mm	40 mm	CTC-2863591	33.02
LIFT							
GTL1-UP; PPT1-UP; RCX1-UP; WEF1-UP							
	3757845		I-U-10	50 mm	70 mm	CTC-3806119	112.76
TILT							
GTL1-UP; PPT1-UP; RCX1-UP							
	2749931		I-U-10	35 mm	70 mm	CTC-2666140	65.50
TILT LH							
GTL1-UP; PPT1-UP; RCX1-UP; WEF1-UP							
	2935712		P-U-10	35 mm	75 mm	CTC-3712751	72.57
	2935712		Bushing	35 mm		CTC-2965140	12.16
TILT RH							
GTL1-UP; PPT1-UP; RCX1-UP; WEF1-UP							
	2935711		P-U-10	35 mm	75 mm	CTC-3712751	72.57
	2935711		Bushing	35 mm		CTC-2965140	12.16
MODEL 279D3							
BUCKET							
EP71-UP; RB91-UP; SZ91-UP; TB91-UP; Z9E1-UP							
	5622803		P-U-10	30 mm	60 mm	CTC-5799491	107.79
	5660409		P-U-10	30 mm	60 mm	CTC-5918076	121.44
RB91-UP; SZ91-UP; TB91-UP; Z9E1-UP							
	2781969		I-U-10	30 mm	60 mm	CTC-2781970	77.96

REPLACEMENT KITS FOR CATERPILLAR® EQUIPMENT

Loaders - Track Skid Steer							
APPLICATION	CYL #	Misc-Parts, Instructions, etc.	CODE	ROD	BORE	KIT #	List \$
MODEL 279D3							
COUPLER							
EP71-UP; RB91-UP; SZ91-UP; TB91-UP; Z9E1-UP							
	5154591		I-U-10	25 mm	50 mm	CTC-5187949	88.13
GRAPPLE							
RB91-UP; SZ91-UP; TB91-UP; Z9E1-UP							
	4817387		I-U-10	1-1/4	3	CTC-5052263	93.03
LIFT							
EP71-UP; RB91-UP; SZ91-UP; TB91-UP; Z9E1-UP							
	4924510		I-U-10	50 mm	70 mm	CTC-3806119	112.76
TILT LH							
EP71-UP; RB91-UP; SZ91-UP; TB91-UP; Z9E1-UP							
	2935712		P-U-10	35 mm	75 mm	CTC-3712751	72.57
	2935712		Bushing	35 mm		CTC-2965140	12.16
TILT RH							
EP71-UP; RB91-UP; SZ91-UP; TB91-UP; Z9E1-UP							
	2935711		P-U-10	35 mm	75 mm	CTC-3712751	72.57
	2935711		Bushing	35 mm		CTC-2965140	12.16
TRACK ADJUSTER							
EP71-UP; RB91-UP; SZ91-UP; TB91-UP; Z9E1-UP							
	3041898		TRK ADJ			CTC-SK100207	43.57
MODEL 287B							
ANGLE BLADE							
ZSA1-UP							
	2259521		P-U-10	32 mm	63 mm	CTC-1771958	110.59
BUCKET							
ZSA1-UP							
	1545018		P-U-10	30 mm	60 mm	CTC-1643213	106.19
	2781969		I-U-10	30 mm	60 mm	CTC-2781970	77.96
	2936264		I-U-10	30 mm	50 mm	CTC-2620941	40.30
GRAPPLE							
ZSA1-UP							
	1565512		P-U-10	30 mm	60 mm	CTC-1643213	106.19
	1649295		P-U-10	25 mm	40 mm	CTC-1725285	91.26
	2550943		I-U-10	25 mm	40 mm	CTC-2863591	33.02
	2781975		I-U-10	30 mm	60 mm	CTC-2781970	77.96
LIFT							
ZSA1-UP							
	2303705		P-U-10	45 mm	65 mm	CTC-2186824	100.03
TILT LH							
ZSA1-UP							
	2303687		P-U-10	35 mm	70 mm	CTC-2186822	118.13
TILT RH							
ZSA1-UP							
	2303697		P-U-10	35 mm	70 mm	CTC-2186822	118.13
MODEL 287C							
ANGLE BLADE							
MAS1-UP							
	2259521		P-U-10	32 mm	63 mm	CTC-1771958	110.59
	2749930		I-U-10	35 mm	70 mm	CTC-2666140	65.50
BUCKET							
MAS1-UP							
	1545018		P-U-10	30 mm	60 mm	CTC-1643213	106.19
	2781969		I-U-10	30 mm	60 mm	CTC-2781970	77.96
	2936264		I-U-10	30 mm	50 mm	CTC-2620941	40.30
	5622803		P-U-10	30 mm	60 mm	CTC-5799491	107.79

REPLACEMENT KITS FOR CATERPILLAR® EQUIPMENT

Loaders - Track Skid Steer							
APPLICATION	CYL #	Misc-Parts, Instructions, etc.	CODE	ROD	BORE	KIT #	List \$
MODEL 287C							
GRAPPLE							
MAS1-UP							
	1649295		P-U-10	25 mm	40 mm	CTC-1725285	91.26
	2550943		I-U-10	25 mm	40 mm	CTC-2863591	33.02
	2781975		I-U-10	30 mm	60 mm	CTC-2781970	77.96
	5622802		P-U-10	30 mm	60 mm	CTC-5799491	107.79
LIFT							
MAS1-UP							
	2582516		P-U-10	45 mm	65 mm	CTC-2186824	100.03
	2935713		P-U-10	45 mm	65 mm	CTC-3712737	74.88
	2935713		Bushing	45 mm		CTC-2965141	14.22
TILT							
MAS1-UP							
	2749931		I-U-10	35 mm	70 mm	CTC-2666140	65.50
TILT LH							
MAS1-UP							
	2582515		P-U-10	35 mm	75 mm	CTC-2583621	72.98
	2935712		P-U-10	35 mm	75 mm	CTC-3712751	72.57
	2935712		Bushing	35 mm		CTC-2965140	12.16
TILT RH							
MAS1-UP							
	2582514		P-U-10	35 mm	75 mm	CTC-2583621	72.98
	2935711		P-U-10	35 mm	75 mm	CTC-3712751	72.57
	2935711		Bushing	35 mm		CTC-2965140	12.16
MODEL 287C2							
BUCKET							
SSB1-UP							
	2781969		I-U-10	30 mm	60 mm	CTC-2781970	77.96
	2936264		I-U-10	30 mm	50 mm	CTC-2620941	40.30
GRAPPLE							
SSB1-UP							
	2550943		I-U-10	25 mm	40 mm	CTC-2863591	33.02
	2781975		I-U-10	30 mm	60 mm	CTC-2781970	77.96
LIFT							
SSB1-UP							
	2935713		P-U-10	45 mm	65 mm	CTC-3712737	74.88
	2935713		Bushing	45 mm		CTC-2965141	14.22
TILT							
SSB1-UP							
	2749931		I-U-10	35 mm	70 mm	CTC-2666140	65.50
TILT LH							
SSB1-UP							
	2935712		P-U-10	35 mm	75 mm	CTC-3712751	72.57
	2935712		Bushing	35 mm		CTC-2965140	12.16
TILT RH							
SSB1-UP							
	2935711		P-U-10	35 mm	75 mm	CTC-3712751	72.57
	2935711		Bushing	35 mm		CTC-2965140	12.16
MODEL 287D							
ANGLE BLADE							
HMT1-UP; STK1-UP; TLK1-UP							
	2259521		P-U-10	32 mm	63 mm	CTC-1771958	110.59
	2749930		I-U-10	35 mm	70 mm	CTC-2666140	65.50

REPLACEMENT KITS FOR CATERPILLAR® EQUIPMENT

Loaders - Track Skid Steer							
APPLICATION	CYL #	Misc-Parts, Instructions, etc.	CODE	ROD	BORE	KIT #	List \$
MODEL 287D							
BUCKET							
HMT1-UP; STK1-UP; TLK1-UP							
	2781969		I-U-10	30 mm	60 mm	CTC-2781970	77.96
	2936264		I-U-10	30 mm	50 mm	CTC-2620941	40.30
	5622803		P-U-10	30 mm	60 mm	CTC-5799491	107.79
COUPLER							
HMT1-UP; STK1-UP; TLK1-UP							
	5154591		I-U-10	25 mm	50 mm	CTC-5187949	88.13
GRAPPLE							
HMT1-UP; STK1-UP; TLK1-UP							
	2550943		I-U-10	25 mm	40 mm	CTC-2863591	33.02
	2781975		I-U-10	30 mm	60 mm	CTC-2781970	77.96
	4827647		I-U-10	1-1/4	3	CTC-5052263	93.03
	5622802		P-U-10	30 mm	60 mm	CTC-5799491	107.79
LIFT							
HMT1-UP; STK1-UP; TLK1-UP							
	4924507		P-U-10	45 mm	65 mm	CTC-3712737	74.88
TILT							
HMT1-UP; STK1-UP; TLK1-UP							
	2749931		I-U-10	35 mm	70 mm	CTC-2666140	65.50
TILT LH							
HMT1-UP; STK1-UP; TLK1-UP							
	2935712		P-U-10	35 mm	75 mm	CTC-3712751	72.57
	2935712		Bushing	35 mm		CTC-2965140	12.16
TILT RH							
HMT1-UP; STK1-UP; TLK1-UP							
	2935711		P-U-10	35 mm	75 mm	CTC-3712751	72.57
	2935711		Bushing	35 mm		CTC-2965140	12.16
MODEL 289C							
ANGLE BLADE							
JMP1-UP							
	2259521		P-U-10	32 mm	63 mm	CTC-1771958	110.59
	2749930		I-U-10	35 mm	70 mm	CTC-2666140	65.50
BUCKET							
JMP1-UP							
	2781969		I-U-10	30 mm	60 mm	CTC-2781970	77.96
	2936264		I-U-10	30 mm	50 mm	CTC-2620941	40.30
GRAPPLE							
JMP1-UP							
	2550943		I-U-10	25 mm	40 mm	CTC-2863591	33.02
	2781975		I-U-10	30 mm	60 mm	CTC-2781970	77.96
LIFT							
JMP1-1150; JMP1155-1245							
	2582516		P-U-10	45 mm	65 mm	CTC-2186824	100.03
JMP1151-1154; JMP1246-UP							
	2935713		P-U-10	45 mm	65 mm	CTC-3712737	74.88
	2935713		Bushing	45 mm		CTC-2965141	14.22
TILT							
JMP1-UP							
	2749931		I-U-10	35 mm	70 mm	CTC-2666140	65.50
TILT LH							
JMP1-1150; JMP1155-1227							
	2582515		P-U-10	35 mm	75 mm	CTC-2583621	72.98
JMP1151-1154; JMP1228-UP							
	2935712		P-U-10	35 mm	75 mm	CTC-3712751	72.57
	2935712		Bushing	35 mm		CTC-2965140	12.16

REPLACEMENT KITS FOR CATERPILLAR® EQUIPMENT

Loaders - Track Skid Steer							
APPLICATION	CYL #	Misc-Parts, Instructions, etc.	CODE	ROD	BORE	KIT #	List \$
MODEL 289C							
TILT RH							
JMP1-1150; JMP1155-1227							
	2582514		P-U-10	35 mm	75 mm	CTC-2583621	72.98
JMP1151-1154; JMP1228-UP							
	2935711		P-U-10	35 mm	75 mm	CTC-3712751	72.57
	2935711		Bushing	35 mm		CTC-2965140	12.16
MODEL 289C2							
ANGLE BLADE							
RTD1-UP							
	2749930		I-U-10	35 mm	70 mm	CTC-2666140	65.50
BUCKET							
RTD1-UP							
	2781969		I-U-10	30 mm	60 mm	CTC-2781970	77.96
	2936264		I-U-10	30 mm	50 mm	CTC-2620941	40.30
GRAPPLE							
RTD1-UP							
	2550943		I-U-10	25 mm	40 mm	CTC-2863591	33.02
	2781975		I-U-10	30 mm	60 mm	CTC-2781970	77.96
LIFT							
RTD1-UP							
	2935713		P-U-10	45 mm	65 mm	CTC-3712737	74.88
	2935713		Bushing	45 mm		CTC-2965141	14.22
TILT							
RTD1-UP							
	2749931		I-U-10	35 mm	70 mm	CTC-2666140	65.50
TILT LH							
RTD1-UP							
	2935712		P-U-10	35 mm	75 mm	CTC-3712751	72.57
	2935712		Bushing	35 mm		CTC-2965140	12.16
TILT RH							
RTD1-UP							
	2935711		P-U-10	35 mm	75 mm	CTC-3712751	72.57
	2935711		Bushing	35 mm		CTC-2965140	12.16
MODEL 289D							
ANGLE BLADE							
A9Z1-UP; TAW1-UP; WCT1-UP							
	2749930		I-U-10	35 mm	70 mm	CTC-2666140	65.50
BUCKET							
A9Z1-UP; TAW1-UP; WCT1-UP							
	2781969		I-U-10	30 mm	60 mm	CTC-2781970	77.96
GRAPPLE							
A9Z1-UP; TAW1-UP; WCT1-UP							
	2550943		I-U-10	25 mm	40 mm	CTC-2863591	33.02
LIFT							
A9Z1-UP; TAW1-UP; WCT1-UP							
	3779483		P-U-10	45 mm	65 mm	CTC-3712737	74.88
	3779483		Bushing	45 mm		CTC-2965141	14.22
TILT							
A9Z1-UP; TAW1-UP; WCT1-UP							
	2749931		I-U-10	35 mm	70 mm	CTC-2666140	65.50
TILT LH							
A9Z1-UP; TAW1-UP; WCT1-UP							
	2935712		P-U-10	35 mm	75 mm	CTC-3712751	72.57
	2935712		Bushing	35 mm		CTC-2965140	12.16

CATERPILLAR®

REPLACEMENT KITS FOR CATERPILLAR® EQUIPMENT

Loaders - Track Skid Steer							
APPLICATION	CYL #	Misc-Parts, Instructions, etc.	CODE	ROD	BORE	KIT #	List \$
MODEL 289D							
TILT RH							
A9Z1-UP; TAW1-UP; WCT1-UP							
	2935711		P-U-10	35 mm	75 mm	CTC-3712751	72.57
	2935711		Bushing	35 mm		CTC-2965140	12.16
MODEL 289D3							
BUCKET							
BT91-UP; JX91-UP; KX91-UP; LA91-UP							
	2781969		I-U-10	30 mm	60 mm	CTC-2781970	77.96
	5622803		P-U-10	30 mm	60 mm	CTC-5799491	107.79
	5660409		P-U-10	30 mm	60 mm	CTC-5918076	121.44
COUPLER							
BT91-UP; EP91-UP; JX91-UP; KX91-UP; LA91-UP							
	5154591		I-U-10	25 mm	50 mm	CTC-5187949	88.13
GRAPPLE							
BT91-UP; JX91-UP; KX91-UP; LA91-UP							
	4817387		I-U-10	1-1/4	3	CTC-5052263	93.03
LIFT							
BT91-UP; EP91-UP; JX91-UP; KX91-UP; LA91-UP							
	4924507		P-U-10	45 mm	65 mm	CTC-3712737	74.88
TILT LH							
BT91-UP; EP91-UP; JX91-UP; KX91-UP; LA91-UP							
	2935712		P-U-10	35 mm	75 mm	CTC-3712751	72.57
	2935712		Bushing	35 mm		CTC-2965140	12.16
TILT RH							
BT91-UP; EP91-UP; JX91-UP; KX91-UP; LA91-UP							
	2935711		P-U-10	35 mm	75 mm	CTC-3712751	72.57
	2935711		Bushing	35 mm		CTC-2965140	12.16
TRACK ADJUSTER							
BT91-UP; EP91-UP; JX91-UP; KX91-UP; LA91-UP							
	3041898		TRK ADJ			CTC-SK100207	43.57
MODEL 297C							
ANGLE BLADE							
GCP1-UP							
	2259521		P-U-10	32 mm	63 mm	CTC-1771958	110.59
	2749930		I-U-10	35 mm	70 mm	CTC-2666140	65.50
BUCKET							
GCP1-UP							
	1545018		P-U-10	30 mm	60 mm	CTC-1643213	106.19
	2781969		I-U-10	30 mm	60 mm	CTC-2781970	77.96
	2936264		I-U-10	30 mm	50 mm	CTC-2620941	40.30
GRAPPLE							
GCP1-UP							
	1649295		P-U-10	25 mm	40 mm	CTC-1725285	91.26
	2550943		I-U-10	25 mm	40 mm	CTC-2863591	33.02
	2781975		I-U-10	30 mm	60 mm	CTC-2781970	77.96
	5622802		P-U-10	30 mm	60 mm	CTC-5799491	107.79
LIFT							
GCP1-1637; GCP1639-1651							
	2582516		P-U-10	45 mm	65 mm	CTC-2186824	100.03
GCP1638; GCP1652-UP							
	2935713		P-U-10	45 mm	65 mm	CTC-3712737	74.88
	2935713		Bushing	45 mm		CTC-2965141	14.22
TILT							
GCP1-UP							
	2749931		I-U-10	35 mm	70 mm	CTC-2666140	65.50

REPLACEMENT KITS FOR CATERPILLAR® EQUIPMENT

Loaders - Track Skid Steer							
APPLICATION	CYL #	Misc-Parts, Instructions, etc.	CODE	ROD	BORE	KIT #	List \$
MODEL 297C							
TILT LH							
GCP1-1637; GCP1639-1651							
2582515			P-U-10	35 mm	75 mm	CTC-2583621	72.98
GCP1638; GCP1652-UP							
2935712			P-U-10	35 mm	75 mm	CTC-3712751	72.57
2935712			Bushing	35 mm		CTC-2965140	12.16
TILT RH							
GCP1-1637; GCP1639-1651							
2582514			P-U-10	35 mm	75 mm	CTC-2583621	72.98
GCP1638; GCP1652-UP							
2935711			P-U-10	35 mm	75 mm	CTC-3712751	72.57
2935711			Bushing	35 mm		CTC-2965140	12.16
MODEL 297D							
ANGLE BLADE							
BE71-UP							
2259521			P-U-10	32 mm	63 mm	CTC-1771958	110.59
2749930			I-U-10	35 mm	70 mm	CTC-2666140	65.50
BUCKET							
BE71-UP							
2781969			I-U-10	30 mm	60 mm	CTC-2781970	77.96
2936264			I-U-10	30 mm	50 mm	CTC-2620941	40.30
5622803			P-U-10	30 mm	60 mm	CTC-5799491	107.79
COUPLER							
BE71-UP							
5154591			I-U-10	25 mm	50 mm	CTC-5187949	88.13
GRAPPLE							
BE71-UP							
2550943			I-U-10	25 mm	40 mm	CTC-2863591	33.02
2781975			I-U-10	30 mm	60 mm	CTC-2781970	77.96
4827647			I-U-10	1-1/4	3	CTC-5052263	93.03
5622802			P-U-10	30 mm	60 mm	CTC-5799491	107.79
LIFT							
BE71-UP							
4924504			I-U-10	50 mm	70 mm	CTC-3806119	112.76
TILT							
BE71-UP							
2749931			I-U-10	35 mm	70 mm	CTC-2666140	65.50
TILT LH							
BE71-UP							
2935712			P-U-10	35 mm	75 mm	CTC-3712751	72.57
2935712			Bushing	35 mm		CTC-2965140	12.16
TILT RH							
BE71-UP							
2935711			P-U-10	35 mm	75 mm	CTC-3712751	72.57
2935711			Bushing	35 mm		CTC-2965140	12.16
MODEL 297D XHP							
ANGLE BLADE							
HP71-UP							
2259521			P-U-10	32 mm	63 mm	CTC-1771958	110.59
2749930			I-U-10	35 mm	70 mm	CTC-2666140	65.50
BUCKET							
HP71-UP							
2781969			I-U-10	30 mm	60 mm	CTC-2781970	77.96
2936264			I-U-10	30 mm	50 mm	CTC-2620941	40.30

REPLACEMENT KITS FOR CATERPILLAR® EQUIPMENT

Loaders - Track Skid Steer							
APPLICATION	CYL #	Misc-Parts, Instructions, etc.	CODE	ROD	BORE	KIT #	List \$
MODEL 297D XHP							
COUPLER							
HP71-UP							
	5154591		I-U-10	25 mm	50 mm	CTC-5187949	88.13
GRAPPLE							
HP71-UP							
	2550943		I-U-10	25 mm	40 mm	CTC-2863591	33.02
	2781975		I-U-10	30 mm	60 mm	CTC-2781970	77.96
	4827647		I-U-10	1-1/4	3	CTC-5052263	93.03
	5622802		P-U-10	30 mm	60 mm	CTC-5799491	107.79
LIFT							
HP71-UP							
	4924504		I-U-10	50 mm	70 mm	CTC-3806119	112.76
TILT							
HP71-UP							
	2749931		I-U-10	35 mm	70 mm	CTC-2666140	65.50
TILT LH							
HP71-UP							
	2935712		P-U-10	35 mm	75 mm	CTC-3712751	72.57
	2935712		Bushing	35 mm		CTC-2965140	12.16
TILT RH							
HP71-UP							
	2935711		P-U-10	35 mm	75 mm	CTC-3712751	72.57
	2935711		Bushing	35 mm		CTC-2965140	12.16
MODEL 297D2							
ANGLE BLADE							
BL71-UP							
	2259521		P-U-10	32 mm	63 mm	CTC-1771958	110.59
	2749930		I-U-10	35 mm	70 mm	CTC-2666140	65.50
BUCKET							
BL71-UP							
	2781969		I-U-10	30 mm	60 mm	CTC-2781970	77.96
	2936264		I-U-10	30 mm	50 mm	CTC-2620941	40.30
	5622803		P-U-10	30 mm	60 mm	CTC-5799491	107.79
COUPLER							
BL71-UP							
	5154591		I-U-10	25 mm	50 mm	CTC-5187949	88.13
GRAPPLE							
BL71-UP							
	2550943		I-U-10	25 mm	40 mm	CTC-2863591	33.02
	2781975		I-U-10	30 mm	60 mm	CTC-2781970	77.96
	4827647		I-U-10	1-1/4	3	CTC-5052263	93.03
	5622802		P-U-10	30 mm	60 mm	CTC-5799491	107.79
LIFT							
BL71-UP							
	4924504		I-U-10	50 mm	70 mm	CTC-3806119	112.76
TILT							
BL71-UP							
	2749931		I-U-10	35 mm	70 mm	CTC-2666140	65.50
TILT LH							
BL71-UP							
	2935712		P-U-10	35 mm	75 mm	CTC-3712751	72.57
	2935712		Bushing	35 mm		CTC-2965140	12.16
TILT RH							
BL71-UP							
	2935711		P-U-10	35 mm	75 mm	CTC-3712751	72.57
	2935711		Bushing	35 mm		CTC-2965140	12.16

REPLACEMENT KITS FOR CATERPILLAR® EQUIPMENT

Loaders - Track Skid Steer							
APPLICATION	CYL #	Misc-Parts, Instructions, etc.	CODE	ROD	BORE	KIT #	List \$
MODEL 297D2 XHP							
ANGLE BLADE							
	HP21-UP						
	2259521		P-U-10	32 mm	63 mm	CTC-1771958	110.59
	2749930		I-U-10	35 mm	70 mm	CTC-2666140	65.50
BUCKET							
	HP21-UP						
	2781969		I-U-10	30 mm	60 mm	CTC-2781970	77.96
	2936264		I-U-10	30 mm	50 mm	CTC-2620941	40.30
	5622803		P-U-10	30 mm	60 mm	CTC-5799491	107.79
COUPLER							
	HP21-UP						
	5154591		I-U-10	25 mm	50 mm	CTC-5187949	88.13
GRAPPLE							
	HP21-UP						
	2550943		I-U-10	25 mm	40 mm	CTC-2863591	33.02
	2781975		I-U-10	30 mm	60 mm	CTC-2781970	77.96
	4827647		I-U-10	1-1/4	3	CTC-5052263	93.03
	5622802		P-U-10	30 mm	60 mm	CTC-5799491	107.79
LIFT							
	HP21-UP						
	4924504		I-U-10	50 mm	70 mm	CTC-3806119	112.76
TILT							
	HP21-UP						
	2749931		I-U-10	35 mm	70 mm	CTC-2666140	65.50
TILT LH							
	HP21-UP						
	2935712		P-U-10	35 mm	75 mm	CTC-3712751	72.57
	2935712		Bushing	35 mm		CTC-2965140	12.16
TILT RH							
	HP21-UP						
	2935711		P-U-10	35 mm	75 mm	CTC-3712751	72.57
	2935711		Bushing	35 mm		CTC-2965140	12.16
MODEL 299C							
ANGLE BLADE							
	JSP1-UP						
	2259521		P-U-10	32 mm	63 mm	CTC-1771958	110.59
	2749930		I-U-10	35 mm	70 mm	CTC-2666140	65.50
BUCKET							
	JSP1-UP						
	2781969		I-U-10	30 mm	60 mm	CTC-2781970	77.96
	2936264		I-U-10	30 mm	50 mm	CTC-2620941	40.30
GRAPPLE							
	JSP1-UP						
	2550943		I-U-10	25 mm	40 mm	CTC-2863591	33.02
	2781975		I-U-10	30 mm	60 mm	CTC-2781970	77.96
LIFT							
	JSP1-966; JSP1001-1067						
	2582516		P-U-10	45 mm	65 mm	CTC-2186824	100.03
	JSP997-1000; JSP1068-JUP						
	2935713		P-U-10	45 mm	65 mm	CTC-3712737	74.88
	2935713		Bushing	45 mm		CTC-2965141	14.22
TILT							
	JSP1-UP						
	2749931		I-U-10	35 mm	70 mm	CTC-2666140	65.50

REPLACEMENT KITS FOR CATERPILLAR® EQUIPMENT

Loaders - Track Skid Steer							
APPLICATION	CYL #	Misc-Parts, Instructions, etc.	CODE	ROD	BORE	KIT #	List \$
MODEL 299C							
TILT LH							
JSP1-996; JSP1001-1054							
2582515			P-U-10	35 mm	75 mm	CTC-2583621	72.98
JSP997-1000; JSP1055-UP							
2935712			P-U-10	35 mm	75 mm	CTC-3712751	72.57
2935712			Bushing	35 mm		CTC-2965140	12.16
TILT RH							
JSP1-996; JSP1001-1054							
2582514			P-U-10	35 mm	75 mm	CTC-2583621	72.98
JSP997-1000; JSP1055-UP							
2935711			P-U-10	35 mm	75 mm	CTC-3712751	72.57
2935711			Bushing	35 mm		CTC-2965140	12.16
MODEL 299D							
ANGLE BLADE							
GTC1-UP; HCL1-UP							
2749930			I-U-10	35 mm	70 mm	CTC-2666140	65.50
BUCKET							
GTC1-UP; HCL1-UP							
2781969			I-U-10	30 mm	60 mm	CTC-2781970	77.96
HCL1-UP							
2936264			I-U-10	30 mm	50 mm	CTC-2620941	40.30
GRAPPLE							
GTC1-UP; HCL1-UP							
2550943			I-U-10	25 mm	40 mm	CTC-2863591	33.02
HCL1-UP							
2781975			I-U-10	30 mm	60 mm	CTC-2781970	77.96
LIFT							
GTC1-UP; HCL1-UP							
3463785			I-U-10	50 mm	70 mm	CTC-3806119	112.76
TILT							
GTC1-UP; HCL1-UP							
2749931			I-U-10	35 mm	70 mm	CTC-2666140	65.50
TILT LH							
GTC1-UP; HCL1-UP							
2935712			P-U-10	35 mm	75 mm	CTC-3712751	72.57
2935712			Bushing	35 mm		CTC-2965140	12.16
TILT RH							
GTC1-UP; HCL1-UP							
2935711			P-U-10	35 mm	75 mm	CTC-3712751	72.57
2935711			Bushing	35 mm		CTC-2965140	12.16
MODEL 299D XHP							
ANGLE BLADE							
JST1-UP; NLC1-UP							
2749930			I-U-10	35 mm	70 mm	CTC-2666140	65.50
BUCKET							
JST1-UP; NLC1-UP							
2781969			I-U-10	30 mm	60 mm	CTC-2781970	77.96
NLC1-UP							
2936264			I-U-10	30 mm	50 mm	CTC-2620941	40.30
GRAPPLE							
JST1-UP; NLC1-UP							
2550943			I-U-10	25 mm	40 mm	CTC-2863591	33.02
NLC1-UP							
2781975			I-U-10	30 mm	60 mm	CTC-2781970	77.96

REPLACEMENT KITS FOR CATERPILLAR® EQUIPMENT

Loaders - Track Skid Steer							
APPLICATION	CYL #	Misc-Parts, Instructions, etc.	CODE	ROD	BORE	KIT #	List \$
MODEL 299D XHP							
LIFT							
JST1-UP; NLC1-UP							
	3463785		I-U-10	50 mm	70 mm	CTC-3806119	112.76
TILT							
JST1-UP; NLC1-UP							
	2749931		I-U-10	35 mm	70 mm	CTC-2666140	65.50
TILT LH							
JST1-UP; NLC1-UP							
	2935712		P-U-10	35 mm	75 mm	CTC-3712751	72.57
	2935712		Bushing	35 mm		CTC-2965140	12.16
TILT RH							
JST1-UP; NLC1-UP							
	2935711		P-U-10	35 mm	75 mm	CTC-3712751	72.57
	2935711		Bushing	35 mm		CTC-2965140	12.16
MODEL 299D2							
ANGLE BLADE							
BY41-UP; DX21-UP; DX91-UP; FD21-UP							
	2259521		P-U-10	32 mm	63 mm	CTC-1771958	110.59
	2749930		I-U-10	35 mm	70 mm	CTC-2666140	65.50
BUCKET							
BY41-UP; DX21-UP; DX91-UP; FD21-UP							
	2936264		I-U-10	30 mm	50 mm	CTC-2620941	40.30
BY41-UP; DX21-UP; DX91-UP; FD21-UP; HLM1-UP							
	2781969		I-U-10	30 mm	60 mm	CTC-2781970	77.96
COUPLER							
BY41-UP; DX21-UP; DX91-UP; FD21-UP							
	5154591		I-U-10	25 mm	50 mm	CTC-5187949	88.13
GRAPPLE							
BY41-UP; DX21-UP; DX91-UP; FD21-UP							
	2550943		I-U-10	25 mm	40 mm	CTC-2863591	33.02
	2781975		I-U-10	30 mm	60 mm	CTC-2781970	77.96
	4827647		I-U-10	1-1/4	3	CTC-5052263	93.03
LIFT							
BY41-UP; DX21-UP; DX91-UP; FD21-UP; HLM1-UP							
	4924504		I-U-10	50 mm	70 mm	CTC-3806119	112.76
TILT							
BY41-UP; DX21-UP; DX91-UP; FD21-UP							
	2749931		I-U-10	35 mm	70 mm	CTC-2666140	65.50
BY41-UP; DX21-UP; DX91-UP; FD21-UP; HLM1-UP							
	2935711		P-U-10	35 mm	75 mm	CTC-3712751	72.57
	2935711		Bushing	35 mm		CTC-2965140	12.16
	2935712		P-U-10	35 mm	75 mm	CTC-3712751	72.57
	2935712		Bushing	35 mm		CTC-2965140	12.16
TRACK ADJUSTER							
BY41-UP; DX21-UP; DX91-UP; FD21-UP; HLM1-UP							
	3041898		TRK ADJ			CTC-SK100207	43.57
MODEL 299D2 XHP							
ANGLE BLADE							
BY41-UP; DX21-UP; DX91-UP; FD21-UP							
	2259521		P-U-10	32 mm	63 mm	CTC-1771958	110.59
	2749930		I-U-10	35 mm	70 mm	CTC-2666140	65.50
BUCKET							
BY41-UP; DX21-UP; DX91-UP; FD21-UP							
	2936264		I-U-10	30 mm	50 mm	CTC-2620941	40.30
BY41-UP; DX21-UP; DX91-UP; FD21-UP; HLM1-UP							
	2781969		I-U-10	30 mm	60 mm	CTC-2781970	77.96

CATERPILLAR®

REPLACEMENT KITS FOR CATERPILLAR® EQUIPMENT

Loaders - Track Skid Steer							
APPLICATION	CYL #	Misc-Parts, Instructions, etc.	CODE	ROD	BORE	KIT #	List \$
MODEL 299D2 XHP							
COUPLER							
BY41-UP; DX21-UP; DX91-UP; FD21-UP							
	5154591		I-U-10	25 mm	50 mm	CTC-5187949	88.13
GRAPPLE							
BY41-UP; DX21-UP; DX91-UP; FD21-UP							
	2550943		I-U-10	25 mm	40 mm	CTC-2863591	33.02
	2781975		I-U-10	30 mm	60 mm	CTC-2781970	77.96
	4827647		I-U-10	1-1/4	3	CTC-5052263	93.03
LIFT							
BY41-UP; DX21-UP; DX91-UP; FD21-UP; HLM1-UP							
	4924504		I-U-10	50 mm	70 mm	CTC-3806119	112.76
TILT							
BY41-UP; DX21-UP; DX91-UP; FD21-UP							
	2749931		I-U-10	35 mm	70 mm	CTC-2666140	65.50
BY41-UP; DX21-UP; DX91-UP; FD21-UP; HLM1-UP							
	2935711		P-U-10	35 mm	75 mm	CTC-3712751	72.57
	2935711		Bushing	35 mm		CTC-2965140	12.16
	2935712		P-U-10	35 mm	75 mm	CTC-3712751	72.57
	2935712		Bushing	35 mm		CTC-2965140	12.16
TRACK ADJUSTER							
BY41-UP; DX21-UP; DX91-UP; FD21-UP; HLM1-UP							
	3041898		TRK ADJ			CTC-SK100207	43.57
MODEL 299D3							
ANGLE BLADE							
B621-UP; GX91-UP; JX31-UP; P3R1-UP							
	2259521		P-U-10	32 mm	63 mm	CTC-1771958	110.59
	2749930		I-U-10	35 mm	70 mm	CTC-2666140	65.50
	2749931		I-U-10	35 mm	70 mm	CTC-2666140	65.50
	4893905		I-U-10	1-1/2	2-1/2	CTC-5052264	45.14
BUCKET							
AN91-UP; B621-UP; BX91-UP; CY91-UP; DY91-UP; GX91-UP; JX31-UP; P3R1-UP							
	5660409		P-U-10	30 mm	60 mm	CTC-5918076	121.44
AN91-UP; BX91-UP; CY91-UP; DY91-UP							
	2781969		I-U-10	30 mm	60 mm	CTC-2781970	77.96
	5622803		P-U-10	30 mm	60 mm	CTC-5799491	107.79
B621-UP; GX91-UP; JX31-UP; P3R1-UP							
	2936264		I-U-10	30 mm	50 mm	CTC-2620941	40.30
COUPLER							
AN91-UP; B621-UP; BX91-UP; CY91-UP; DY91-UP; GX91-UP; JX31-UP; P3R1-UP							
	5154591		I-U-10	25 mm	50 mm	CTC-5187949	88.13
GRAPPLE							
AN91-UP; B621-UP; BX91-UP; CY91-UP; DY91-UP; GX91-UP; JX31-UP; P3R1-UP							
	2550943		I-U-10	25 mm	40 mm	CTC-2863591	33.02
	4817387		I-U-10	1-1/4	3	CTC-5052263	93.03
B621-UP; GX91-UP; JX31-UP; P3R1-UP							
	2781975		I-U-10	30 mm	60 mm	CTC-2781970	77.96
	5622800		P-U-10	30 mm	60 mm	CTC-5918076	121.44
	5622802		P-U-10	30 mm	60 mm	CTC-5799491	107.79
LIFT							
AN91-UP; B621-UP; BX91-UP; CY91-UP; DY91-UP; GX91-UP; JX31-UP; P3R1-UP							
	4924504		I-U-10	50 mm	70 mm	CTC-3806119	112.76
TILT LH							
AN91-UP; B621-UP; BX91-UP; CY91-UP; DY91-UP; GX91-UP; JX31-UP; P3R1-UP							
	2935712		P-U-10	35 mm	75 mm	CTC-3712751	72.57
	2935712		Bushing	35 mm		CTC-2965140	12.16

REPLACEMENT KITS FOR CATERPILLAR® EQUIPMENT

Loaders - Track Skid Steer							
APPLICATION	CYL #	Misc-Parts, Instructions, etc.	CODE	ROD	BORE	KIT #	List \$
MODEL 299D3							
TILT RH							
AN91-UP; B621-UP; BX91-UP; CY91-UP; DY91-UP; GX91-UP; JX31-UP; P3R1-UP							
2935711			P-U-10	35 mm	75 mm	CTC-3712751	72.57
2935711			Bushing	35 mm		CTC-2965140	12.16
TRACK ADJUSTER							
AN91-UP; B621-UP; BX91-UP; CY91-UP; DY91-UP; GX91-UP; JX31-UP; P3R1-UP							
3041898			TRK ADJ			CTC-SK100207	43.57
MODEL 299D3 XE							
ANGLE BLADE							
R231-UP; S381-UP							
2259521			P-U-10	32 mm	63 mm	CTC-1771958	110.59
2749930			I-U-10	35 mm	70 mm	CTC-2666140	65.50
2749931			I-U-10	35 mm	70 mm	CTC-2666140	65.50
4893905			I-U-10	1-1/2	2-1/2	CTC-5052264	45.14
BUCKET							
LB31-UP; R231-UP; S381-UP; XES1-UP							
5660409			P-U-10	30 mm	60 mm	CTC-5918076	121.44
R231-UP; S381-UP							
2936264			I-U-10	30 mm	50 mm	CTC-2620941	40.30
COUPLER							
LB31-UP; R231-UP; S381-UP; XES1-UP							
5154591			I-U-10	25 mm	50 mm	CTC-5187949	88.13
GRAPPLE							
LB31-UP; R231-UP; S381-UP; XES1-UP							
2550943			I-U-10	25 mm	40 mm	CTC-2863591	33.02
4817387			I-U-10	1-1/4	3	CTC-5052263	93.03
R231-UP; S381-UP							
2781975			I-U-10	30 mm	60 mm	CTC-2781970	77.96
5622800			P-U-10	30 mm	60 mm	CTC-5918076	121.44
5622802			P-U-10	30 mm	60 mm	CTC-5799491	107.79
LIFT							
LB31-UP; R231-UP; S381-UP; XES1-UP							
4924504			I-U-10	50 mm	70 mm	CTC-3806119	112.76
TILT LH							
LB31-UP; R231-UP; S381-UP; XES1-UP							
2935712			P-U-10	35 mm	75 mm	CTC-3712751	72.57
2935712			Bushing	35 mm		CTC-2965140	12.16
TILT RH							
LB31-UP; R231-UP; S381-UP; XES1-UP							
2935711			P-U-10	35 mm	75 mm	CTC-3712751	72.57
2935711			Bushing	35 mm		CTC-2965140	12.16
TRACK ADJUSTER							
LB31-UP; R231-UP; S381-UP; XES1-UP							
3041898			TRK ADJ			CTC-SK100207	43.57
MODEL 299D3 XHP							
ANGLE BLADE							
B621-UP; GX91-UP; JX31-UP; P3R1-UP							
2259521			P-U-10	32 mm	63 mm	CTC-1771958	110.59
2749930			I-U-10	35 mm	70 mm	CTC-2666140	65.50
2749931			I-U-10	35 mm	70 mm	CTC-2666140	65.50
4893905			I-U-10	1-1/2	2-1/2	CTC-5052264	45.14
BUCKET							
AN91-UP; B621-UP; BX91-UP; CY91-UP; DY91-UP; GX91-UP; JX31-UP; P3R1-UP							
5660409			P-U-10	30 mm	60 mm	CTC-5918076	121.44

REPLACEMENT KITS FOR CATERPILLAR® EQUIPMENT

Loaders - Track Skid Steer							
APPLICATION	CYL #	Misc-Parts, Instructions, etc.	CODE	ROD	BORE	KIT #	List \$
MODEL 299D3 XHP							
BUCKET							
AN91-UP; BX91-UP; CY91-UP; DY91-UP							
2781969			I-U-10	30 mm	60 mm	CTC-2781970	77.96
5622803			P-U-10	30 mm	60 mm	CTC-5799491	107.79
B621-UP; GX91-UP; JX31-UP; P3R1-UP							
2936264			I-U-10	30 mm	50 mm	CTC-2620941	40.30
COUPLER							
AN91-UP; B621-UP; BX91-UP; CY91-UP; DY91-UP; GX91-UP; JX31-UP; P3R1-UP							
5154591			I-U-10	25 mm	50 mm	CTC-5187949	88.13
GRAPPLE							
AN91-UP; B621-UP; BX91-UP; CY91-UP; DY91-UP; GX91-UP; JX31-UP; P3R1-UP							
2550943			I-U-10	25 mm	40 mm	CTC-2863591	33.02
4817387			I-U-10	1-1/4	3	CTC-5052263	93.03
B621-UP; GX91-UP; JX31-UP; P3R1-UP							
2781975			I-U-10	30 mm	60 mm	CTC-2781970	77.96
5622800			P-U-10	30 mm	60 mm	CTC-5918076	121.44
5622802			P-U-10	30 mm	60 mm	CTC-5799491	107.79
LIFT							
AN91-UP; B621-UP; BX91-UP; CY91-UP; DY91-UP; GX91-UP; JX31-UP; P3R1-UP							
4924504			I-U-10	50 mm	70 mm	CTC-3806119	112.76
TILT LH							
AN91-UP; B621-UP; BX91-UP; CY91-UP; DY91-UP; GX91-UP; JX31-UP; P3R1-UP							
2935712			P-U-10	35 mm	75 mm	CTC-3712751	72.57
2935712			Bushing	35 mm		CTC-2965140	12.16
TILT RH							
AN91-UP; B621-UP; BX91-UP; CY91-UP; DY91-UP; GX91-UP; JX31-UP; P3R1-UP							
2935711			P-U-10	35 mm	75 mm	CTC-3712751	72.57
2935711			Bushing	35 mm		CTC-2965140	12.16
TRACK ADJUSTER							
AN91-UP; B621-UP; BX91-UP; CY91-UP; DY91-UP; GX91-UP; JX31-UP; P3R1-UP							
3041898			TRK ADJ			CTC-SK100207	43.57
Loaders - Wheel							
APPLICATION	CYL #	Misc-Parts, Instructions, etc.	CODE	ROD	BORE	KIT #	List \$
MODEL 902							
STEERING							
1349838			P-UB-10	35 mm	70 mm	CTC-4228805	96.15
UNSPECIFIED APPLICATION							
9T4006			P-UB-10	1-1/2	3	CTC-7X2737	173.75
MODEL 904							
LIFT							
4T8580			P-UB-10	2	3-3/4	CTC-7X2787	165.33
STEERING							
1U4666			P-UB-10	1-1/2	2-3/4	CTC-7X2749	94.50
TILT							
4T8581			P-UB-10	1-3/4	3-1/4	CTC-7X2764	110.00
MODEL 906							
BUCKET GRAPPLE							
1649430			P-UB-10	1-1/4	2-1/2	CTC-4452682	61.25
LIFT							
1344485			P-UB-10	55 mm	100 mm	CTC-1344485K	188.76
MULTIPURPOSE BUCKET							
1349838			P-UB-10	35 mm	70 mm	CTC-4228805	96.15
9T4006			P-UB-10	1-1/2	3	CTC-1856583	73.27
SIDE DUMP							
1250373			P-UB-10	1-1/2	2-3/4	CTC-1856596	74.10

REPLACEMENT KITS FOR CATERPILLAR® EQUIPMENT

Loaders - Wheel							
APPLICATION	CYL #	Misc-Parts, Instructions, etc.	CODE	ROD	BORE	KIT #	List \$
MODEL 906							
STEERING							
	1349838		P-UB-10	35 mm	70 mm	CTC-4228805	96.15
STEERING RH							
	1250373		P-UB-10	1-1/2	2-3/4	CTC-1856596	74.10
TILT							
	1350532		P-UB-10	50 mm	85 mm	CTC-1350532K	343.99
MODEL 906H2							
BUCKET MP							
	JRF1-UP						
	1581839		P-UB-10	1-1/2	3	CTC-2350354	54.98
COUPLER							
	JRF1-UP						
	1783713		I-U-10	1	2	CTC-1809872	188.66
GRAPPLE							
	JRF1-UP						
	4827647		I-U-10	1-1/4	3	CTC-5052263	93.03
LIFT							
	JRF1-UP						
	2573975		P-UB-10	50 mm	75 mm	CTC-4483453	115.22
STEERING							
	JRF1-UP						
	2573976		P-UB-10	35 mm	80 mm	CTC-4481975	116.43
TILT							
	JRF1-UP						
	2573977		P-UB-10	55 mm	90 mm	CTC-4483564	127.44
MODEL 906M							
BUCKET MP							
	H661-UP; K561-UP; Z661-UP						
	1851839		P-UB-10	1-1/2	3	CTC-2350354	54.98
COUPLER							
	H661-UP; K561-UP; Z661-UP						
	1783713		I-U-10	1	2	CTC-1809872	188.66
	5083948		P-U-10	25 mm	50 mm	CTC-5635454	88.03
LIFT							
	H661-UP; K561-UP; Z661-UP						
	2573975		P-UB-10	50 mm	75 mm	CTC-4483453	115.22
STEERING							
	H661-UP; K561-UP; Z661-UP						
	2573976		P-UB-10	35 mm	80 mm	CTC-4481975	116.43
TILT							
	H661-UP; K561-UP; Z661-UP						
	2573977		P-UB-10	55 mm	90 mm	CTC-4483564	127.44
MODEL 908							
HIGH DUMP							
	1349848		P-UB-10	35 mm	70 mm	CTC-1349838K	96.15
MULTIPURPOSE BUCKET							
	9T4006		P-UB-10	1-1/2	3	CTC-1856583	73.27
SIDE DUMP							
	1250373		P-UB-10	1-1/2	2-3/4	CTC-1856596	74.10
STEERING							
	1465137		P-UB-10	40 mm	90 mm	CTC-SK100065	70.88
	8BS1294-UP						
	2184349		P-UB-10	40 mm	90 mm	CTC-SK100065	70.88
MODEL 908H2							
BUCKET MP							
	JRD1-UP						
	1851839		P-UB-10	1-1/2	3	CTC-2350354	54.98

REPLACEMENT KITS FOR CATERPILLAR® EQUIPMENT

Loaders - Wheel							
APPLICATION	CYL #	Misc-Parts, Instructions, etc.	CODE	ROD	BORE	KIT #	List \$
MODEL 908H2							
COUPLER							
	JRD1-UP						
	1783713		I-U-10	1	2	CTC-1809872	188.66
GRAPPLE							
	JRD1-UP						
	4817387		I-U-10	1-1/4	3	CTC-5052263	93.03
LIFT							
	JRD1-UP						
	2605415		P-UB-10	50 mm	85 mm	CTC-4496299	118.54
STEERING							
	JRD1-UP						
	2573976		P-UB-10	35 mm	80 mm	CTC-4481975	116.43
TILT							
	JRD1-UP						
	2605417		P-UB-10	55 mm	100 mm	CTC-4496284	138.93
MODEL 908M							
BUCKET MP							
	H881-UP; K581-UP; Z881-UP						
	1851839		P-UB-10	1-1/2	3	CTC-2350354	54.98
COUPLER							
	H881-UP; K581-UP						
	5083948		P-U-10	25 mm	50 mm	CTC-5635454	88.03
	H881-UP; K581-UP; Z881-UP						
	1783713		I-U-10	1	2	CTC-1809872	188.66
LIFT							
	H881-UP; K581-UP; Z881-UP						
	2605415		P-UB-10	50 mm	85 mm	CTC-4496299	118.54
STEERING							
	H881-UP; K581-UP; Z881-UP						
	2573976		P-UB-10	35 mm	80 mm	CTC-4481975	116.43
TILT							
	H881-UP; K581-UP; Z881-UP						
	2605417		P-UB-10	55 mm	100 mm	CTC-4496284	138.93
MODEL 910E, 910F							
BUCKET							
	8J5391		P-UB-10	1-1/2	3-1/2	CTC-7X2752	152.63
LIFT							
	6E5969		P-UB-10	2-1/4	4	CTC-1361171	162.17
	9T5745		P-UB-10	2-1/4	4	CTC-1361171	162.17
STEERING							
	9T7209		P-UB-10	1-1/2	2-3/4	CTC-1361599	163.14
	9T7210		P-UB-10	1-1/2	2-3/4	CTC-1361599	163.14
STEERING LH							
	6E5900		P-UB-10	1-3/4	2-3/4	CTC-1539053	222.42
	6E5973		P-UB-10	1-1/2	2-3/4	CTC-1361599	163.14
STEERING RH							
	6E5985		P-UB-10	1-1/2	2-3/4	CTC-1361599	163.14
TILT							
	6E5918		P-UB-10	2-1/4	4	CTC-1361171	162.17
	6E5966	Rod Bearing width- 0.98"	P-UB-10	2-1/2	4-3/4	CTC-1361131	229.07
	9T5778		P-UB-10	2-1/2	4-3/4	CTC-1358695	152.32
MODEL 914							
M.P. BUCKET TILT							
	4T4666		P-UB-10	2-1/2	4	CTC-7X2665	237.11
MODEL 914G							
STEERING							
	9T8823		I-U-3	1	2	CTC-9T0418	146.42

REPLACEMENT KITS FOR CATERPILLAR® EQUIPMENT

Loaders - Wheel							
APPLICATION	CYL #	Misc-Parts, Instructions, etc.	CODE	ROD	BORE	KIT #	List \$
MODEL 914G							
TILT							
	6E5918		P-UB-10	2-1/4	4	CTC-1361171	162.17
MODEL 924							
M.P. BUCKET TILT							
	4T5545		P-UB-10	2-1/2	4-1/4	CTC-7X2663	79.02
MODEL 924F							
LIFT							
	1342327		P-UB-10	2-1/4	4	CTC-1546526	228.66
	9T3937		P-UB-10	2-1/4	4	CTC-1546526	228.66
STEERING							
	9T2637		P-UB-10	1-1/2	2-3/4	CTC-1361599	163.14
TILT							
	1107845		P-UB-10	2-1/2	4-1/2	CTC-1113300	218.49
	1342671		P-UB-10	2-1/2	4-1/2	CTC-1113300	218.49
	6E4651		P-UB-10	2-1/2	4-1/2	CTC-1113300	218.49
MODEL 924G							
COUPLER							
3PZ1-UP; 9SW1-UP; AAN1148-UP; DDA1-UP; EEB1-UP; RBB1-UP; WMB1-UP							
	1903085		I-U-10	1	2	CTC-1809872	188.66
9SW1-UP							
	1880563		I-U-10	1	2	CTC-1809872	188.66
9SW-UP; DDA1-UP							
	1783720		I-U-10	1	2	CTC-1809872	188.66
LIFT							
	1417483		P-UB-10	2-1/2	4	CTC-1542501	229.70
	9T8823		I-U-3	1	2	CTC-9T0418	146.42
3DZ1-UP; 6YW1-UP							
	1524187		P-UB-10	2-1/2	4-1/4	CTC-2341951	264.60
3PZ1-UP; 9SW1-UP; AAN1-UP; DDA1-UP; EEB1-UP; RBB1-UP; WMB1-UP							
	1417483		P-UB-10	2-1/2	4	CTC-2341949	78.76
LOG FORK							
9SW1-UP							
	1491381		P-UB-10	2	3-1/2	CTC-2281778	124.32
MULTIPURPOSE BUCKET							
DDA1-UP; EEB1-UP; WMB1-UP							
	2681322		I-U-10	40 mm	3-1/2	CTC-2711529	39.90
STEERING							
	1426251		P-UB-10	1-1/2	2-3/4	CTC-1361599	163.14
3DZ1-UP; 3PZ1-UP; 6YW1-UP; 9SW1-UP; AAN1-UP; DDA1-UP; EEB1-UP; RBB1-UP; WMB1-UP							
	1426251		P-UB-10	1-1/2	2-3/4	CTC-2339204	100.11
3DZ1-UP; 3PZ1-UP; 6YW1-UP; 9SW1-UP; AAN1-UP; RBB1-UP; WMB1-UP							
	1426251		P-UB-10	1-1/2	2-3/4	CTC-2339204	100.11
TILT							
	1525306		P-UB-10	2-1/2	4-3/4	CTC-1361131	229.07
3DZ1-UP; 6YW1-UP							
	1525306		P-UB-10	2-1/2	4-3/4	CTC-2341948	144.97
3PZ1-UP; 9SW1-UP; AAN1-UP; DDA1-1987; RBB1-1046; WMB1-972							
	1417484		P-UB-10	2-1/2	5-1/4	CTC-2341950	185.63
6YW1-UP							
	3408871		P-UB-10	2-1/2	4-3/4	CTC-3408871K	144.97
DDA1988-UP; EEB1-UP; RBB1-UP; WMB973-UP							
	2689437		P-UB-10	2-1/2	5-1/4	CTC-2341950	185.63
RBB1047-UP							
	2689437		P-UB-10	2-1/2	5-1/4	CTC-2341950	185.63

CATERPILLAR®

REPLACEMENT KITS FOR CATERPILLAR® EQUIPMENT

Loaders - Wheel							
APPLICATION	CYL #	Misc-Parts, Instructions, etc.	CODE	ROD	BORE	KIT #	List \$
MODEL 924Gz							
LIFT							
AAB1-UP; DFZ1-UP; RTA1-UP; WGX1-UP							
1524187			P-UB-10	2-1/2	4-1/4	CTC-2341951	264.60
STEERING							
AAB1-UP; DFZ1-UP; RTA1-UP; WGX1-UP							
1426251			P-UB-10	1-1/2	2-3/4	CTC-2339204	100.11
TILT							
AAB1-UP; DFZ1-UP; RTA1-UP; WGX1-UP							
1525306			P-UB-10	2-1/2	4-3/4	CTC-2341948	144.97
DFZ1-UP							
3408871			P-UB-10	2-1/2	4-3/4	CTC-3408871K	144.97
MODEL 924H							
BUCKET							
KLN1-UP							
1809338			P-UB-10	2	4	CTC-2339205	68.83
BUCKET SIDE DUMP							
KLN1-UP							
1806336			P-U,UB-10	2	4	CTC-1807208	205.53
COUPLER							
HXC1-UP; JTM1-UP; KLN1-UP; LKW1-UP							
1903085			I-U-10	1	2	CTC-1809872	188.66
LIFT							
HXC1-UP; JTM1-UP; KLN1-UP; LKW1-UP							
1417483			P-UB-10	2-1/2	4	CTC-2341949	78.76
MULTIPURPOSE BUCKET							
HXC1-UP; JTM1-UP; LKW1-UP							
2681322			I-U-10	40 mm	3-1/2	CTC-2711529	39.90
STEERING							
HXC1-UP; JTM1-UP; KLN1-UP; LKW1-UP							
1426251			P-UB-10	1-1/2	2-3/4	CTC-2339204	100.11
TILT							
HXC1-UP; JTM1-UP; KLN1-UP; LKW1-UP							
2689437			P-UB-10	2-1/2	5-1/4	CTC-2341950	185.63
MODEL 924Hz							
LIFT							
JRL1-UP; JZZ1-UP; PED1-UP; WLB1-UP							
1524187			P-UB-10	2-1/2	4-1/4	CTC-2341951	264.60
STEERING							
JRL1-UP; JZZ1-UP; PED1-UP; WLB1-UP							
1426251			P-UB-10	1-1/2	2-3/4	CTC-2339204	100.11
TILT							
JRL1-UP; JZZ1-UP;WLB841-UP							
3408871			P-UB-10	2-1/2	4-3/4	CTC-3408871K	144.97
PED1-UP; WLB1-UP							
1525306			P-UB-10	2-1/2	4-3/4	CTC-2341948	144.97
MODEL 924K							
BUCKET							
ENC1-UP; HJF1-UP; PWR1-UP							
3825007			P-UB-10	2-1/4	4-1/2	CTC-3110662	110.21
PWR1-UP							
1809338			P-UB-10	2	4	CTC-1857688	111.41
2054846			I-U-15	50 mm	90 mm	CTC-2072084	561.10
2681322			I-U-10	40 mm	3-1/2	CTC-2711529	39.90
COUPLER							
ENC1-UP; HJF1-UP; PWR1-UP							
3750724			I-U-10	7/8	2	CTC-3675261	26.00

REPLACEMENT KITS FOR CATERPILLAR® EQUIPMENT

Loaders - Wheel							
APPLICATION	CYL #	Misc-Parts, Instructions, etc.	CODE	ROD	BORE	KIT #	List \$
MODEL 924K							
COUPLER							
	PWR1-UP						
	1903085		I-U-10	1	2	CTC-1809872	188.66
FORK							
	PWR1-UP						
	2847718		I-U-11	1-1/4	2-1/2	CTC-3476233	39.92
LIFT							
	ENC1-UP; HJF1-UP						
	3749705		I-U-10	60 mm	110 mm	CTC-3240399	158.52
	PWR1-UP						
	3395590		I-U-10	60 mm	110 mm	CTC-3240399	158.52
STEERING							
	ENC1-UP; HJF1-UP; PWR1-UP						
	3395595		I-U-10	40 mm	70 mm	CTC-3240355	97.42
	4955994		P-U-10	40 mm	70 mm	CTC-5016692	90.06
TILT							
	ENC1-UP; HJF1-UP						
	3749706		I-U-10	70 mm	130 mm	CTC-3240397	182.53
	PWR1-UP						
	3395592		I-U-10	70 mm	130 mm	CTC-3240397	182.53
	3518513		I-U-10	70 mm	130 mm	CTC-3240397	182.53
MODEL 926							
BUCKET							
	4T9387		P-UB-10	2	4	CTC-1328816	148.39
LIFT							
	3G2991		P-UB-10	2-1/2	4-3/4	CTC-1328811	244.68
	3G2991		P-UB-10	2-1/2	4-3/4	CTC-7X2660	287.36
PIN PULLER							
	6E5393		I-U-3	1	2	CTC-9T0418	146.42
STEERING							
	3G3501		P-UB-10	1-1/2	3	CTC-7X2751	102.45
TILT							
	3G2798		P-UB-10	2-1/2	5-1/2	CTC-3367353	145.13
MODEL 926E							
BUCKET							
	4T9387		P-UB-10	2	4	CTC-1328816	148.39
LIFT							
	3G2991		P-UB-10	2-1/2	4-3/4	CTC-1328811	244.68
	3G2991		P-UB-10	2-1/2	4-3/4	CTC-7X2660	287.36
STEERING							
	3G3501		P-UB-10	1-1/2	3	CTC-7X2751	102.45
	4T1574		P-UB-10	2	4	CTC-1328816	148.39
TILT							
	3G2798		P-UB-10	2-1/2	5-1/2	CTC-3367353	145.13
	4T1063		P-UB-10	2	4-1/4	CTC-7X2766	70.60
MODEL 926M							
BUCKET							
	LTE1-UP						
	2054846		I-U-15	50 mm	90 mm	CTC-2072084	561.10
	2681322		I-U-10	40 mm	3-1/2	CTC-2711529	39.90
COUPLER							
	LTE1-UP						
	3750724		I-U-10	7/8	2	CTC-3675261	26.00
LIFT							
	LTE1-UP						
	4956004		I,P-U-10	60 mm	110 mm	CTC-5016706	148.62

REPLACEMENT KITS FOR CATERPILLAR® EQUIPMENT

Loaders - Wheel							
APPLICATION	CYL #	Misc-Parts, Instructions, etc.	CODE	ROD	BORE	KIT #	List \$
MODEL 926M							
STEERING							
LTE1-UP							
	4955994		P-U-10	40 mm	70 mm	CTC-5016692	90.06
TILT							
LTE1-UP							
	4956005		P-U-10	70 mm	130 mm	CTC-5016704	171.63
	4956006		P-U-10	70 mm	130 mm	CTC-5016704	171.63
MODEL 928F							
LIFT							
	1341383		P-UB-10	2-1/2	4-1/2	CTC-1113300	218.49
	6E1400		P-UB-10	2-1/2	4-1/2	CTC-1113300	218.49
PIN PULLER							
	6E5393		I-U-3	1	2	CTC-9T0418	146.42
STEERING							
	9T6646		P-UB-10	1-1/2	2-3/4	CTC-1361599	163.14
TILT							
	1341382	Rod Bearing width- 0.98"	P-UB-10	2-1/2	4-3/4	CTC-1361131	229.07
	9T6645	Rod Bearing width- 0.98"	P-UB-10	2-1/2	4-3/4	CTC-1361131	229.07
MODEL 928G							
COUPLER							
	2370946		I-U-10	1	2	CTC-1832091	18.56
	2370946		Chk Vlv Kit			CTC-2138433	19.97
LIFT							
	1191060	Rod Bearing width- 0.98"	P-UB-10	2-1/2	4-3/4	CTC-1864382	151.79
STEERING LH							
	1250374		P-UB-10	1-1/2	2-3/4	CTC-1856596	74.10
STEERING RH							
	1250373		P-UB-10	1-1/2	2-3/4	CTC-1856596	74.10
TILT							
	1188105		P-UB-10	2-1/2	5	CTC-2275347	150.12
MODEL 928Hz							
COUPLER							
BYD1-UP; CXK1-UP							
	1903085		I-U-10	1	2	CTC-1809872	188.66
CXK1-UP							
	2370946		I-U-10	1	2	CTC-1832091	18.56
	2370946		Chk Vlv Kit			CTC-2138433	19.97
	3612508		I-U-10	1	2	CTC-1832091	18.56
	3612508		Chk Vlv Kit			CTC-2138433	19.97
LIFT							
BYD1-UP; CXK1-UP							
	1191060		P-UB-10	2-1/2	4-3/4	CTC-1864382	151.79
STEERING							
BYD1-UP; CXK1-UP							
	1250373		P-UB-10	1-1/2	2-3/4	CTC-2339204	100.11
	1250374		P-UB-10	1-1/2	2-3/4	CTC-2339204	100.11
TILT							
BYD1-UP; CXK1-UP							
	1188105		P-UB-10	2-1/2	5	CTC-2275347	150.12
CXK867-UP							
	3408752		P-UB-10	2-1/2	5	CTC-3408752K	150.12
MODEL 930G							
COUPLER							
TFW1-UP; TWR1-UP							
	1903085		I-U-10	1	2	CTC-1809872	188.66

REPLACEMENT KITS FOR CATERPILLAR® EQUIPMENT

Loaders - Wheel							
APPLICATION	CYL #	Misc-Parts, Instructions, etc.	CODE	ROD	BORE	KIT #	List \$
MODEL 930G							
LIFT							
	TFW1-UP; TWR1-UP						
	2356823		P-UB-10	2-1/2	4-1/2	CTC-2297194	88.26
MULTIPURPOSE BUCKET							
	TFW1-UP; TWR1-UP						
	2681322		I-U-10	40 mm	3-1/2	CTC-2711529	39.90
TILT							
	TFW1-UP; TWR1-UP						
	2356824		P-UB-10	2-3/4	6	CTC-2861075	175.41
MODEL 930H							
COUPLER							
	DHC1-UP; FTD1-UP						
	1903085		I-U-10	1	2	CTC-1809872	188.66
LIFT							
	DHC1-UP; FTD1-UP						
	2356823		P-UB-10	2-1/2	4-1/2	CTC-2297194	88.26
MULTIPURPOSE BUCKET							
	DHC1-UP; FTD1-UP						
	2681322		I-U-10	40 mm	3-1/2	CTC-2711529	39.90
STEERING							
	DHC1-UP; FTD1-UP						
	2379271		P-UB-10	1-1/2	2-3/4	CTC-2833454	69.32
TILT							
	DHC1-UP; FTD1-UP						
	2356824		P-UB-10	2-3/4	6	CTC-2861075	175.41
MODEL 930K							
BUCKET							
	EYE1-UP; RHN1-UP						
	3825007		P-UB-10	2-1/4	4-1/2	CTC-3110662	110.21
	RHN1-UP						
	2054846		I-U-15	50 mm	90 mm	CTC-2072084	561.10
	2681322		I-U-10	40 mm	3-1/2	CTC-2711529	39.90
COUPLER							
	DYB1-UP; EYE1-UP; RHN1-UP						
	3750724		I-U-10	7/8	2	CTC-3675261	26.00
	RHN1-UP						
	1903085		I-U-10	1	2	CTC-1809872	188.66
FORK							
	RHN1-UP						
	2847718		I-U-11	1-1/4	2-1/2	CTC-3476233	39.92
LIFT							
	DYB1-UP; EYE1-UP; RHN1-UP						
	3395593		I-U-10	65 mm	120 mm	CTC-3240398	174.21
STEERING							
	DYB1-UP; EYE1-UP; RHN1-UP						
	3395595		I-U-10	40 mm	70 mm	CTC-3240355	97.42
	4955994		P-U-10	40 mm	70 mm	CTC-5016692	90.06
TILT							
	DYB1-UP; EYE1-UP; RHN1-UP						
	3395594		I-U-10	90 mm	150 mm	CTC-4401767	208.58
	EYE1-UP; RHN1-UP						
	3518514		I-U-10	90 mm	150 mm	CTC-4401767	208.58
MODEL 930M							
BUCKET							
	KTG1-UP						
	2054846		I-U-15	50 mm	90 mm	CTC-2072084	561.10
	2681322		I-U-10	40 mm	3-1/2	CTC-2711529	39.90

REPLACEMENT KITS FOR CATERPILLAR® EQUIPMENT

Loaders - Wheel							
APPLICATION	CYL #	Misc-Parts, Instructions, etc.	CODE	ROD	BORE	KIT #	List \$
MODEL 930M							
COUPLER							
	KTG1-UP						
	3750724		I-U-10	7/8	2	CTC-3675261	26.00
LIFT							
	KTG1-UP						
	4955995		P-U-10	65 mm	120 mm	CTC-5016695	163.73
STEERING							
	KTG1-UP						
	4955994		P-U-10	40 mm	70 mm	CTC-5016692	90.06
TILT							
	KTG1-UP						
	4955996		P-U-10	90 mm	150 mm	CTC-5016697	214.47
	4955997		P-U-10	90 mm	150 mm	CTC-5016697	214.47
MODEL 930R, 930T							
ARTICULATION							
	9T2447	930R only	P-UB-10	1-3/4	3	CTC-7X2825	85.90
LIFT LH							
	7J9872		P-UB-10	2-1/4	4-1/2	CTC-7X2747	208.41
LIFT RH							
	7J9871		P-UB-10	2-1/4	4-1/2	CTC-7X2747	208.41
STEERING							
	7J9838		P-UB-10	1-1/2	3	CTC-1372530	99.37
	7J9838		P-UB-10	1-1/2	3	CTC-7X2751	102.45
TILT LH							
	7J9730		P-UB-10	2	4-1/4	CTC-7X2766	70.60
TILT RH							
	7J9729		P-UB-10	2	4-1/4	CTC-7X2766	70.60
MODEL 936F							
LIFT							
	9T1196		P-UB-10	2-1/2	5-1/2	CTC-7X2672	142.04
PIN PULLER							
	6E5393		I-U-3	1	2	CTC-9T0418	146.42
STEERING							
	3G5110		P-UB-10	1-3/4	3-1/2	CTC-7X2784	114.46
	6E2035		P-UB-10	1-3/4	3-1/2	CTC-7X2784	114.46
TILT							
	3G5291		P-UB-10	2-3/4	6-1/2	CTC-7X2686	193.14
MODEL 938F							
LIFT							
	1287678		P-UB-10	2-1/2	5	CTC-1361967	293.83
	9T7160	Rod Bearing width- 0.98"	P-UB-10	2-1/2	4-3/4	CTC-1361131	229.07
STEERING							
	1050094		P-UB-10	1-3/4	3	CTC-7X2825	85.90
TILT							
	1377855		P-UB-10	2-3/4	5-1/2	CTC-1358736	321.79
	9T7161		P-UB-10	2-3/4	5-1/2	CTC-1358736	321.79
MODEL 938G							
COUPLER							
	2080828		Chk Vlv Kit			CTC-2138433	19.97
	2370946		I-U-10	1	2	CTC-1832091	18.56
	2370946		Chk Vlv Kit			CTC-2138433	19.97
LIFT							
	1KM1-1123; 2RM1-1123; 7SN1-384						
	9T7160	Head# 1206679	P-UB-10	2-1/2	4-3/4	CTC-1864382	151.79
	9T7160	Head# 9T3609	P-UB-10	2-1/2	4-3/4	CTC-9X2151	132.86
	1KM1124-; 2RM1124-; 7SN385-						
	1287678		P-UB-10	2-1/2	5	CTC-1361967	293.83

REPLACEMENT KITS FOR CATERPILLAR® EQUIPMENT

Loaders - Wheel							
APPLICATION	CYL #	Misc-Parts, Instructions, etc.	CODE	ROD	BORE	KIT #	List \$
MODEL 938G							
STEERING							
	1050094		P-UB-10	1-3/4	3	CTC-7X2825	85.90
	1393312		P-UB-10	1-3/4	3	CTC-7X2825	85.90
TILT							
	4YS1-						
	1377855		P-UB-10	2-3/4	5-1/2	CTC-1358736	321.79
	9T7161		P-UB-10	2-3/4	5-1/2	CTC-1358736	321.79
MODEL 938H							
COUPLER							
	JKM1-UP; MJC1-UP						
	2370946		I-U-10	1	2	CTC-1832091	18.56
	2370946		Chk Vlv Kit			CTC-2138433	19.97
LIFT							
	JKM1-UP; LKM1-UP; MCC1-UP; MJC1-UP						
	2549037		P-UB-10	70 mm	130 mm	CTC-2976845	366.49
STEERING							
	JKM1-153; LKM1-175						
	1393312		P-UB-10	1-3/4	3	CTC-2275350	53.51
	JKM154-UP; LKM176-UP; MCC1-UP; MJC1-UP						
	3149340		P-UB-10	1-3/4	3	CTC-3260504	110.12
TILT							
	JKM1-905; LKM1-1037; MCC1-UP; MJC1-835						
	3388416		P-UB-10	70 mm	140 mm	CTC-3388416K	559.48
	JKM1-988; LKM1-1037; MJC1-810						
	3171090	High Lift Arrangement	P-UB-10	70 mm	140 mm	CTC-3171090K	559.48
	JKM906-UP; LKM1038-UP; MJC836-UP						
	3461093		P-UB-10	70 mm	140 mm	CTC-3461093K	559.48
	JKM989-UP; LKM1038-UP; MJC811-UP						
	3461094	High Lift Arrangement	P-UB-10	70 mm	140 mm	CTC-3461094K	559.48
MODEL 938K							
BUCKET							
	SWL1-UP						
	2054846		I-U-15	50 mm	90 mm	CTC-2072084	561.10
	2681322		I-U-10	40 mm	3-1/2	CTC-2711529	39.90
COUPLER							
	HFW1-UP; SWL1-UP; XXT1-UP						
	3750724		I-U-10	7/8	2	CTC-3675261	26.00
LIFT							
	HFW1-UP; SWL1-UP; XXT1-UP						
	3473853		I-U-10	65 mm	120 mm	CTC-3240398	174.21
STEERING							
	HFW1-UP; SWL1-UP; XXT1-UP						
	3473852		I-U-10	50 mm	80 mm	CTC-3240356	130.67
	4955999		P-U-10	50 mm	80 mm	CTC-5016702	122.41
TILT							
	HFW1-UP						
	4491000		I-U-10	70 mm	130 mm	CTC-3240397	182.53
	HFW1-UP; SWL1-UP; XXT1-UP						
	3473854		I-U-10	90 mm	150 mm	CTC-4401767	208.58
	SWL1-UP; XXT1-UP						
	3518515		I-U-10	90 mm	150 mm	CTC-4401767	208.58
MODEL 938M							
BUCKET							
	J3R1-UP						
	2054846		I-U-15	50 mm	90 mm	CTC-2072084	561.10
	2681322		I-U-10	40 mm	3-1/2	CTC-2711529	39.90

REPLACEMENT KITS FOR CATERPILLAR® EQUIPMENT

Loaders - Wheel							
APPLICATION	CYL #	Misc-Parts, Instructions, etc.	CODE	ROD	BORE	KIT #	List \$
MODEL 938M							
COUPLER							
	J3R1-UP						
	3750724		I-U-10	7/8	2	CTC-3675261	26.00
LIFT							
	J3R1-UP						
	4956000		P-U-10	65 mm	120 mm	CTC-5016695	163.73
STEERING							
	J3R1-UP						
	4955999		P-U-10	50 mm	80 mm	CTC-5016702	122.41
TILT							
	J3R1-UP						
	4956001		P-U-10	90 mm	150 mm	CTC-5016697	214.47
	4956002		P-U-10	90 mm	150 mm	CTC-5016697	214.47
MODEL 944, 944A							
LOG FORK LH							
	8J5677		P-V-10	2	5	CTC-7X2763	216.70
LOG FORK RH							
	8J5676		P-V-10	2	5	CTC-7X2763	216.70
MODEL 950 GC							
BUCKET SIDE DUMP							
	M5K4201-UP						
	5247624		P-UB-14	63 mm	110 mm	CTC-5247632	198.69
COUPLER							
	M5K1-UP; M5T1-UP						
	4522509		I-U-10	1	2-1/2	CTC-4560584	51.37
	4522509		Chk Vlv Kit			CTC-2138433	19.97
LIFT							
	M5K1-4200						
	4725051		I-UB-14	85 mm	160 mm	CTC-4891720	339.69
	M5K4201-UP						
	5247639		I-UB-14	85 mm	160 mm	CTC-4891720	339.69
LIFT LH							
	M5K1-121; M5K123-176						
	3870612		I-UB-14	85 mm	140 mm	CTC-3979883	330.46
	M5K1-UP; M5T1-UP						
	4526974		I-UB-14	85 mm	140 mm	CTC-3979883	330.46
LIFT RH							
	M5K1-121; M5K123-176						
	3870611		I-UB-14	85 mm	140 mm	CTC-3979883	330.46
	M5K1-UP; M5T1-UP						
	4526975		I-UB-14	85 mm	140 mm	CTC-3979883	330.46
STEERING							
	M5K1-UP; M5T1-UP						
	3870614		I-UB-14	50 mm	90 mm	CTC-3979893	165.00
TILT							
	M5K1-UP; M5T1-UP						
	3870613		I-UB-14	85 mm	160 mm	CTC-3979888	339.41
	5247636		I-UB-14	85 mm	160 mm	CTC-3979888	339.41
	M5K4201-UP						
	5506975		P-UB-10	3-1/2	6-1/4	CTC-SK100220	235.87
MODEL 950B, 950E, 950F							
LIFT							
	4T0263	950B & 950E only	P-UB-10	2-1/2	4-3/4	CTC-1328811	244.68
	4T0263		P-UB-10	2-1/2	4-3/4	CTC-7X2660	287.36
	4T0263		P-UB-10	2-1/2	4-3/4	CTC-7X2673	257.41
	7J9902	950F only	P-UB-10	2	4-1/4	CTC-7X2819	168.18

REPLACEMENT KITS FOR CATERPILLAR® EQUIPMENT

Loaders - Wheel							
APPLICATION	CYL #	Misc-Parts, Instructions, etc.	CODE	ROD	BORE	KIT #	List \$
MODEL 950B, 950E, 950F							
LIFT LH							
	1U1147		P-UB-10	3	6	CTC-7X2698	298.08
LIFT RH							
	1U1148		P-UB-10	3	6	CTC-7X2698	298.08
STEERING							
	3G0892		P-UB-10	1-3/4	3-1/2	CTC-7X2784	114.46
	6E3889		P-UB-10	1-3/4	3-1/2	CTC-7X2784	114.46
	6E4892		P-UB-10	1-3/4	3-1/2	CTC-7X2784	114.46
	6E5024	950B & 950F only	P-UB-10	2	4	CTC-1113302	190.32
TILT							
	3G8786		P-UB-10	3-1/4	7	CTC-1328518	347.71
MODEL 950G							
COUPLER							
	2080828		Chk Vlv Kit			CTC-2138433	19.97
	2370946		I-U-10	1	2	CTC-1832091	18.56
	2370946		Chk Vlv Kit			CTC-2138433	19.97
LIFT							
	1188296		P-UB-10	3	6	CTC-7X2698	298.08
	1250024		P-UB-10	3	6	CTC-7X2698	298.08
STEERING							
	1188288	Head# 1537182	P-UB-10	1-3/4	3-1/2	CTC-2281795	157.01
	1630324	Head# 1630329	P-UB-10	1-3/4	3-1/2	CTC-2281795	157.01
	4BS1-413; 3JW1-684; 5FW1-784						
	1188288	Head# 9T8790	P-UB-10	1-3/4	3-1/2	CTC-7X2784	114.46
TILT							
	1189001		P-UB-10	3-1/4	7	CTC-7X2710	325.07
	1518206		P-UB-20	3-1/4	8-1/2	CTC-2297173	492.33
MODEL 950H							
COUPLER							
	2370946		I-U-10	1	2	CTC-1832091	18.56
	2370946		Chk Vlv Kit			CTC-2138433	19.97
LIFT							
	2424271		P-UB-10	3-1/4	5-3/4	CTC-2424271K	405.39
	2424272		P-UB-10	3-1/4	5-3/4	CTC-2424272K	405.39
STEERING							
	1630324		P-UB-10	1-3/4	3-1/2	CTC-2281795	157.01
TILT							
	2424270		P-UB-10	3-1/4	6-1/4	CTC-2424270K	336.05
	2457487		P-UB-10	3-1/2	7-1/2	CTC-2457487K	413.37
	2457491		P-UB-10	3-1/4	6-1/4	CTC-2457491K	336.05
MODEL 950K							
BUCKET							
	FER1-UP; J5M1-UP; R4A1-UP						
	3845321	material handling	P-UB-10	2-1/4	5	CTC-4700323	160.85
	J5M1-UP						
	3450267	multipurpose	I-U-15	60 mm	100 mm	CTC-3704107	563.17
	R4A1-UP						
	1883120	side dump	P-UB-10	2-1/4	5	CTC-1883143	151.21
	2200525	multipurpose	I-U-15	70 mm	125 mm	CTC-3704117	651.40
	3825007	multipurpose/material handling	P-UB-10	2-1/4	4-1/2	CTC-3110662	110.21
COUPLER							
	FER1-UP; J5M1-UP						
	3642851		I-U-10	1	2-1/2	CTC-3156338	28.50
	R4A1-UP						
	3612508		I-U-10	1	2	CTC-1832091	18.56

CATERPILLAR®

REPLACEMENT KITS FOR CATERPILLAR® EQUIPMENT

Loaders - Wheel							
APPLICATION	CYL #	Misc-Parts, Instructions, etc.	CODE	ROD	BORE	KIT #	List \$
MODEL 950K							
FORK							
R4A1-UP							
	2032208		P-UB-10	2-1/4	5	CTC-2417578	101.85
	2350597		P-UB-10	2-1/4	4-1/2	CTC-2370922	153.33
	3854585		P-UB-10	2-1/2	5-1/2	CTC-3866092	253.58
	3878656		P-UB-10	2-1/2	5-1/2	CTC-3866092	253.58
LIFT							
FER1-UP; J5M1-UP; R4A1-UP							
	3475536		P-UB-10	85 mm	150 mm	CTC-SK100106	220.91
	3475541		P-UB-10	85 mm	140 mm	CTC-SK100107	204.87
STEERING							
FER1-UP							
	3149338		P-UB-10	1-3/4	3-1/2	CTC-3260503	256.33
J5M1-UP; R4A1-UP							
	3696640		P-UB-10	1-3/4	3-1/2	CTC-3260503	256.33
TILT							
FER1-UP; J5M1-UP; R4A1-UP							
	3475542		P-UB-10	85 mm	160 mm	CTC-SK100108	235.69
	3475543		P-UB-10	85 mm	160 mm	CTC-SK100108	235.69
MODEL 950M							
BUCKET							
EMB1-UP							
	1883120		P-UB-10	2-1/4	5	CTC-1883143	151.21
	2200525		I-U-15	70 mm	125 mm	CTC-3704117	651.40
	3825007		P-UB-10	2-1/4	4-1/2	CTC-3110662	110.21
EMB1-UP; FTR1-UP							
	3845321		P-UB-10	2-1/4	5	CTC-4700323	160.85
FTR1-UP							
	3450267		I-U-15	60 mm	100 mm	CTC-3704107	563.17
COUPLER							
EMB1-UP; FTR1-UP							
	3642851		I-U-10	1	2-1/2	CTC-4560584	51.37
	4522500		I-U-10	1	2-1/2	CTC-3156338	28.50
FORK							
EMB1-UP							
	3854585		P-UB-10	2-1/2	5-1/2	CTC-3866092	253.58
LIFT							
EMB1-UP; FTR1-UP							
	3475536		P-UB-10	85 mm	150 mm	CTC-SK100106	220.91
	3475541		P-UB-10	85 mm	140 mm	CTC-SK100107	204.87
	4326169		P-UB-10	85 mm	150 mm	CTC-SK100163	216.94
STEERING							
EMB1-UP; FTR1-UP							
	3596706		P-UB-10	50 mm	80 mm	CTC-5186058	117.76
	3950394		P-UB-10	50 mm	80 mm	CTC-5186058	117.76
TILT							
EMB1-UP; FTR1-UP							
	3475542		P-UB-10	85 mm	160 mm	CTC-SK100108	235.69
	3475543		P-UB-10	85 mm	160 mm	CTC-SK100108	235.69
	3475544		P-UB-10	85 mm	170 mm	CTC-SK100164	366.14
MODEL 960F							
LIFT							
	7J9902		P-UB-10	2	4-1/4	CTC-7X2819	168.18
LIFT LH							
	1U1147		P-UB-10	3	6	CTC-7X2698	298.08

REPLACEMENT KITS FOR CATERPILLAR® EQUIPMENT

Loaders - Wheel							
APPLICATION	CYL #	Misc-Parts, Instructions, etc.	CODE	ROD	BORE	KIT #	List \$
MODEL 960F							
LIFT RH							
	1U1148		P-UB-10	3	6	CTC-7X2698	298.08
STEERING							
	3G0892		P-UB-10	1-3/4	3-1/2	CTC-7X2784	114.46
	6E3889		P-UB-10	1-3/4	3-1/2	CTC-7X2784	114.46
	6E4892		P-UB-10	1-3/4	3-1/2	CTC-7X2784	114.46
TILT							
	3G8786		P-UB-10	3-1/4	7	CTC-1328518	347.71
MODEL 960G, 962G							
LIFT RH							
	1188296		P-UB-10	3	6	CTC-7X2698	298.08
	1250024		P-UB-10	3	6	CTC-7X2698	298.08
STEERING							
	1188288		P-UB-10	1-3/4	3-1/2	CTC-7X2784	114.46
TILT							
	1294447		P-UB-10	3-1/4	7	CTC-7X2710	325.07
MODEL 962M							
BUCKET							
	EJB1-UP; F2T1-UP; J2S1-UP; RKH1-UP						
	3845321		P-UB-10	2-1/4	5	CTC-4700323	160.85
	EJB1-UP; F2T1-UP; RKH1-UP						
	3450267		I-U-15	60 mm	100 mm	CTC-3704107	563.17
	EJB1-UP; RKH1-UP						
	1883120		P-UB-10	2-1/4	5	CTC-1883143	151.21
	2200525		I-U-15	70 mm	125 mm	CTC-3704117	651.40
	3825007		P-UB-10	2-1/4	4-1/2	CTC-3110662	110.21
COUPLER							
	EJB1-UP; F2T1-UP; J2S1-UP; JYD1-UP; K881-UP; LSE1-UP; RCL1-UP; RKH1-UP						
	4522500		I-U-10	1	2-1/2	CTC-4560584	51.37
	4522500		Chk Vlv Kit			CTC-2138433	19.97
FORK							
	EJB1-UP; J2S1-UP; RKH1-UP						
	3854585		P-UB-10	2-1/2	5-1/2	CTC-3866092	253.58
	EJB1-UP; RKH1-UP						
	2847718		I-U-11	1-1/4	2-1/2	CTC-3476233	39.92
	J2S1-UP						
	2032208		P-UB-10	2-1/4	5	CTC-1859516	156.38
LIFT							
	EJB1-UP; F2T1-UP; J2S1-UP; JYD1-UP; K881-UP; LSE1-UP; RCL1-UP; RKH1-369						
	4334380		P-UB-10	85 mm	160 mm	CTC-SK100222	227.03
	EJB1-UP; F2T1-UP; J2S1-UP; JYD1-UP; K881-UP; LSE1-UP; RCL1-UP; RKH1-UP						
	3475536		P-UB-10	85 mm	150 mm	CTC-SK100106	220.91
STEERING							
	EJB1-UP; F2T1-UP; J2S1-UP; JYD1-UP; K881-UP; LSE1-UP; RCL1-UP; RKH1-UP						
	3596706		P-UB-10	50 mm	80 mm	CTC-5186058	117.76
	3950394		P-UB-10	50 mm	80 mm	CTC-5186058	117.76
TILT							
	EJB1-UP; F2T1-UP; J2S1-UP; JYD1-UP; K881-UP; LSE1-UP; RCL1-UP; RKH1-369						
	3475540		P-UB-10	95 mm	180 mm	CTC-SK100223	313.58
	EJB1-UP; F2T1-UP; J2S1-UP; JYD1-UP; K881-UP; LSE1-UP; RKH1-369						
	3475539		P-UB-10	85 mm	170 mm	CTC-SK100164	366.14
	EJB1-UP; F2T1-UP; RKH1-UP						
	5143883		P-UB-10,12	2-1/4	5	CTC-5186422	199.26
	EJB291-UP; F2T1-UP; J2S1-UP; JYD1-UP; K881-UP; LSE1-UP; RCL1-UP; RKH1-UP						
	3475538		P-UB-10	85 mm	170 mm	CTC-SK100164	366.14

CATERPILLAR®

REPLACEMENT KITS FOR CATERPILLAR® EQUIPMENT

Loaders - Wheel							
APPLICATION	CYL #	Misc-Parts, Instructions, etc.	CODE	ROD	BORE	KIT #	List \$
MODEL 962M Z							
COUPLER							
	SA81-UP						
	4522509		I-U-10	1	2-1/2	CTC-4560584	51.37
	4522509		Chk Vlv Kit			CTC-2138433	19.97
LIFT							
	SA810250-UP						
	4894697		P-UB-10	85 mm	140 mm	CTC-SK100224	196.03
	4945323		P-UB-10	85 mm	140 mm	CTC-SK100224	196.03
	SA81-UP						
	4829225		P-UB-14	85 mm	140 mm	CTC-3814591	283.42
	4829226		P-UB-14	85 mm	140 mm	CTC-3814591	283.42
STEERING							
	SA81-UP						
	3596706		P-UB-10	50 mm	80 mm	CTC-5186058	117.76
	3950394		P-UB-10	50 mm	80 mm	CTC-5186058	117.76
TILT							
	SA81-UP						
	4829215		P-UB-10	3-1/4	6-1/4	CTC-SK100225	208.77
	4829216		P-UB-10	3-1/4	6-1/4	CTC-SK100225	208.77
	4829217		P-UB-10	3-1/4	6-1/4	CTC-SK100225	208.77
MODEL 966							
LIFT							
	9J2434		P-UB-10	2-1/2	6-1/2	CTC-7X2666	271.74
PUMP							
	25U; 30K; 42J; 76J; 78G						
	9J5049					CTC-9J5108	64.20
STEERING							
	6E5024		P-UB-10	2	4	CTC-1113302	190.32
STEERING LH							
	7J9356		P-UB-10	2	4	CTC-7X2755	182.47
TILT							
	3G5497		P-UB-14	3-1/4	8-1/4	CTC-7X2703	377.11
TILT LH							
	7J9364		P-UB-10	2-1/2	6	CTC-7X2669	345.57
MODEL 966E, 966F							
LIFT LH							
	3G5495		P-UB-10	3-1/4	7	CTC-7X2710	325.07
LIFT RH							
	3G5496		P-UB-10	3-1/4	7	CTC-7X2710	325.07
STEERING							
	4T1574		P-UB-10	2	4	CTC-1328816	148.39
	6E5024		P-UB-10	2	4	CTC-1113302	190.32
	9J7061	966E only	P-UB-10	2	4	CTC-7X2789	163.22
TILT							
	3G5497		P-UB-14	3-1/4	8-1/4	CTC-7X2703	377.11
MODEL 966G							
LIFT LH							
	1332964		P-UB-10	3-1/4	7	CTC-7X2710	325.07
LIFT RH							
	1332963		P-UB-10	3-1/4	7	CTC-7X2710	325.07
STEERING							
	1331747		P-UB-10	2	3-1/2	CTC-7X2783	164.74

REPLACEMENT KITS FOR CATERPILLAR® EQUIPMENT

Loaders - Wheel							
APPLICATION	CYL #	Misc-Parts, Instructions, etc.	CODE	ROD	BORE	KIT #	List \$
MODEL 966G							
TILT							
	1332962		P-UB-10	3-1/4	9-1/4	CTC-1332962K	458.03
	1449005		P-UB-10	3-1/4	8-1/4	CTC-2281780	378.56
	1713953		P-UB-10	3-1/4	8-1/4	CTC-2281780	378.56
	1882445		P-UB-10	3-1/2	9-1/4	CTC-2282533	503.82
MODEL 966H							
LIFT							
	2424274		P-UB-10	3-1/2	6-1/4	CTC-2959888	330.08
	2424275		P-UB-10	3-1/2	6-1/4	CTC-2959888	330.08
STEERING							
	1331747		P-UB-10	2	3-1/2	CTC-7X2783	164.74
TILT							
	2424273		P-UB-10	3-1/4	170 mm	CTC-3133829	350.05
	2448777		P-UB-10	3-3/4	7-3/4	CTC-3652880	297.44
	2457484		P-UB-10	3-1/4	170 mm	CTC-3133829	350.05
MODEL 966K							
BUCKET							
	NGX1-UP; PBG1-UP						
	3845321		P-UB-10	2-1/4	5	CTC-4700323	160.85
	PBG1-UP; TFS1-UP						
	2200525		I-U-15	70 mm	125 mm	CTC-3704117	651.40
	TFS1-UP						
	1883120		P-UB-10	2-1/4	5	CTC-1883143	151.21
COUPLER							
	NGX1-UP; PBG1-UP; TFS1-UP						
	3612507		I-U-10	1	2-1/2	CTC-4560584	51.37
	PBG1-UP; TFS1-UP						
	4522509		I-U-10	1	2-1/2	CTC-4560584	51.37
FORK							
	TFS1-UP						
	2032208		P-UB-10	2-1/4	5	CTC-2417578	101.85
LIFT							
	NGX1-UP; PBG1-UP; TFS1-UP						
	2424275		P-UB-10	3-1/2	6-1/4	CTC-2959888	330.08
	3492514		P-UB-10	3-1/2	6-1/4	CTC-2959888	330.08
STEERING							
	NGX1-205; PGB1-872; TFS1-777						
	3195045		P-UB-10	50 mm	90 mm	CTC-4572837	132.85
	NGX206-UP; PGB873-UP; TFS778-UP						
	3899689		P-UB-10	50 mm	90 mm	CTC-4572837	132.85
TILT							
	NGX1-UP; PBG1-UP; TFS1-UP						
	3562219		P-UB-10	3-1/4	170 mm	CTC-4576093	243.03
	3585189		P-UB-10	3-1/4	170 mm	CTC-3133829	350.05
	PBG1-UP; TFS1-UP						
	3522057		P-UB-10	100 mm	190 mm	CTC-SK100165	305.37
MODEL 966M							
BUCKET							
	DYC1-UP; P6C1-UP						
	3845321		P-UB-10	2-1/4	5	CTC-4700323	160.85
	KJP1-UP						
	1883120		P-UB-10	2-1/4	5	CTC-1883143	151.21
	2200525		I-U-15	70 mm	125 mm	CTC-3704117	651.40
COUPLER							
	DYC1-UP; KJP1-562; P6C1-UP						
	3612507		I-U-10	1	2-1/2	CTC-4560584	51.37

REPLACEMENT KITS FOR CATERPILLAR® EQUIPMENT

Loaders - Wheel							
APPLICATION	CYL #	Misc-Parts, Instructions, etc.	CODE	ROD	BORE	KIT #	List \$
MODEL 966M							
COUPLER							
DYC1-UP; KJP568-UP; P6C1-UP							
	4522509		I-U-10	1	2-1/2	CTC-4560584	51.37
LIFT							
DYC1-UP; KJP1-UP; P6C1-UP							
	2424275		P-UB-10	3-1/2	6-1/4	CTC-2959888	330.08
	3492514		P-UB-10	3-1/2	6-1/4	CTC-2959888	330.08
STEERING							
DYC1-UP; KJP1-UP; P6C1-UP							
	3884770		P-UB-10	50 mm	85 mm	CTC-4710172	153.64
TILT							
DYC1-UP; KJP1-UP; P6C1-UP							
	3596691		P-UB-10	3-1/4	170 mm	CTC-4576093	243.03
	3596692	High Lift	P-UB-10	3-1/4	170 mm	CTC-4576093	243.03
	3596693		P-UB-10	100 mm	190 mm	CTC-SK100166	345.36
MODEL 970F							
LIFT LH							
	6E5879		P-UB-10	3-1/4	7	CTC-7X2710	325.07
LIFT RH							
	6E5878		P-UB-10	3-1/4	7	CTC-7X2710	325.07
STEERING							
	4T1574		P-UB-10	2	4	CTC-1328816	148.39
	6E5024		P-UB-10	2	4	CTC-1113302	190.32
TILT							
	3G5497		P-UB-14	3-1/4	8-1/4	CTC-7X2703	377.11
MODEL 972G							
LIFT LH							
	1332964	Piston Bearings; 1.49", 1.99"	P-UB-10	3-1/4	7	CTC-7X2710	325.07
1EW1-UP; 4WW1-UP; 6AW1-UP; 7LS1-UP; 9GW1-500; AAW1-400							
	1332964	Piston Bearing; 1.49"	P-UB-10	3-1/4	7	CTC-2281779	240.29
LIFT RH							
	1332963	Piston Bearings; 1.49", 1.99"	P-UB-10	3-1/4	7	CTC-7X2710	325.07
1EW1-UP; 4WW1-UP; 6AW1-UP; 7LS1-UP; 9GW1-500; AAW1-400							
	1332963	Piston Bearing; 1.49"	P-UB-10	3-1/4	7	CTC-2281779	240.29
STEERING							
	1331747		P-UB-10	2	3-1/2	CTC-7X2783	164.74
1EW1-UP; 4WW1-UP; 6AW1-UP; 7LS1-UP; 9GW1-319; AAW1-215							
	1331747		P-UB-10	2	3-1/2	CTC-7X2783	164.74
1EW1-UP; 6AW1-UP							
	1331747		P-UB-1	2		CTC-8C4510	50.88
TILT							
1EW1-UP; 4WW1-341; 6AW1-UP; 7SL1-306; 9GW1-292; AAW1-200							
	1332962		P-UB-10	3-1/4	9-1/4	CTC-1332962K	458.03
1EW1-UP; 4WW342-UP; 6AW1-UP; 9GW293-UP; AWW201-UP							
	1882445		P-UB-10	3-1/2	9-1/4	CTC-2282533	503.82
1EW1-UP; 6AW1-UP							
	1744715		P-UB-10	3-1/4	9-1/4	CTC-1744715K	324.17
	1905955		P-UB-10	3-1/2	9-1/4	CTC-2282533	503.82
4WW1-UP; 7SL1-UP							
	1533747	Logging Arrangement	P-UB-10	2-1/4	5	CTC-2417578	101.85
	2032208	Logging Arrangement	P-UB-10	2-1/4	5	CTC-2417578	101.85
AAW1-196							
	1449005		P-UB-10	3-1/4	8-1/4	CTC-2281780	378.56

REPLACEMENT KITS FOR CATERPILLAR® EQUIPMENT

Loaders - Wheel							
APPLICATION	CYL #	Misc-Parts, Instructions, etc.	CODE	ROD	BORE	KIT #	List \$
MODEL 972H							
BUCKET							
A7D1-UP							
	2200525		I-U-15	70 mm	125 mm	CTC-3704117	651.40
COUPLER							
A7D1-UP							
	2370946		I-U-10	1	2	CTC-1832091	18.56
	2370946		Chk Vlv Kit			CTC-2138433	19.97
	3612507		I-U-10	1	2-1/2	CTC-3156338	28.50
	3612507		Chk Vlv Kit			CTC-2138433	19.97
	3612508		I-U-10	1	2	CTC-1832091	18.56
	3612508		Chk Vlv Kit			CTC-2138433	19.97
LIFT							
A7D1-UP; A7G1-UP; A7J1-UP; GTA1-UP; WLA1-UP							
	2424274		P-UB-10	3-1/2	6-1/4	CTC-2959888	330.08
	2424275		P-UB-10	3-1/2	6-1/4	CTC-2959888	330.08
STEERING							
A7D1-595; A7G1-1005; A7J1-295; WLA1-UP							
	1331747		P-UB-10	2	3-1/2	CTC-7X2783	164.74
A7D596-UP; A7G1006-UP; A7J296-UP; GTA1-UP; WLA1-UP							
	3149336		P-UB-10	2	3-1/2	CTC-3260502	222.74
TILT							
A7D1-UP							
	2032208	Logging Arrangement	P-UB-10	2-1/4	5	CTC-2417578	101.85
A7D1-UP; A7G1-2157; A7J1-UP; GTA1-UP; WLA1-UP							
	2448777	Logging Arrangement	P-UB-10	3-3/4	7-3/4	CTC-3652880	297.44
A7D1-UP; A7G1-UP; A7J1-UP; GTA1-UP							
	2457486	High Lift Arrangement	P-UB-10	3-3/4	7-3/4	CTC-3652880	297.44
A7D1-UP; A7G1-UP; GTA1-UP							
	3585190	High Lift Arrangement	P-UB-10	3-3/4	7-3/4	CTC-3652880	297.44
A7D1-UP; A7G2158-UP; GTA1-UP; WLA1-UP							
	3562220		P-UB-10	3-3/4	7-3/4	CTC-3652880	297.44
MODEL 972K							
BUCKET							
PEM1-UP							
	3845321		P-UB-10	2-1/4	5	CTC-4700323	160.85
PEM1-UP; Z4W1-UP							
	2200525		I-U-15	70 mm	125 mm	CTC-3704117	651.40
Z4W1-UP							
	1883120		P-UB-10	2-1/4	5	CTC-1883143	151.21
COUPLER							
PEM1-UP; Z4W1-UP							
	3612507		I-U-10	1	2-1/2	CTC-4560584	51.37
	4522509		I-U-10	1	2-1/2	CTC-4560584	51.37
FORK							
Z4W1-UP							
	2032208		P-UB-10	2-1/4	5	CTC-2417578	101.85
LIFT							
PEM1-UP; Z4W1-UP							
	2424275		P-UB-10	3-1/2	6-1/4	CTC-2959888	330.08
	3492514		P-UB-10	3-1/2	6-1/4	CTC-2959888	330.08
STEERING							
PEM1-591; Z4W1-459							
	3195045		P-UB-10	50 mm	90 mm	CTC-4572837	132.85
PEM592-UP; Z4W460-UP							
	3899689		P-UB-10	50 mm	90 mm	CTC-4572837	132.85

REPLACEMENT KITS FOR CATERPILLAR® EQUIPMENT

Loaders - Wheel							
APPLICATION	CYL #	Misc-Parts, Instructions, etc.	CODE	ROD	BORE	KIT #	List \$
MODEL 972K							
TILT							
PEM1-UP; Z4W1-UP							
	3522057		P-UB-10	100 mm	190 mm	CTC-SK100165	305.37
	3547410		P-UB-10	100 mm	190 mm	CTC-SK100165	305.37
MODEL 972M							
BUCKET							
A8P1-UP							
	2200525		I-U-15	70 mm	125 mm	CTC-3704117	651.40
JPR1-UP							
	3845321		P-UB-10	2-1/4	5	CTC-4700323	160.85
COUPLER							
A8P1-302; JPR1-UP							
	3612507		I-U-10	1	2-1/2	CTC-4560584	51.37
A8P303-UP; JPR1-UP							
	4522509		I-U-10	1	2-1/2	CTC-4560584	51.37
LIFT							
A8P1-UP; JPR1-UP							
	2424275		P-UB-10	3-1/2	6-1/4	CTC-2959888	330.08
	3492514		P-UB-10	3-1/2	6-1/4	CTC-2959888	330.08
STEERING							
A8P1-UP; JPR1-UP							
	3884770		P-UB-10	50 mm	85 mm	CTC-4710172	153.64
TILT							
A8P1-UP; JPR1-UP							
	3596693		P-UB-10	100 mm	190 mm	CTC-SK100166	345.36
	3596694		P-UB-10	100 mm	190 mm	CTC-SK100166	345.36
MODEL 972M XE							
BUCKET							
EDW1-UP							
	3845321		P-UB-10	2-1/4	5	CTC-4700323	160.85
LIFT							
EDW1-UP							
	2424275		P-UB-10	3-1/2	6-1/4	CTC-2959888	330.08
	3492514		P-UB-10	3-1/2	6-1/4	CTC-2959888	330.08
	4395316		P-UB-10	90 mm	170 mm	CTC-SK100167	300.96
	4395317		P-UB-10	90 mm	170 mm	CTC-SK100167	300.96
STEERING							
EDW1-UP							
	3884770		P-UB-10	50 mm	85 mm	CTC-4710172	153.64
TILT							
EDW1-UP							
	3596693		P-UB-10	100 mm	190 mm	CTC-SK100166	345.36
	3596694		P-UB-10	100 mm	190 mm	CTC-SK100166	345.36
MODEL 980F							
LIFT							
	1U3527		P-UB-10	3-1/2	7-1/2	CTC-7X2730	256.01
STEERING							
	6E6653		P-UB-10	2-1/4	4-1/2	CTC-1354392	224.57
STEERING LH							
	9J6536		P-UB-10	2-1/4	4-1/2	CTC-1373529	100.12
STEERING RH							
	9J5869		P-UB-10	2-1/4	4-1/2	CTC-1373529	100.12

REPLACEMENT KITS FOR CATERPILLAR® EQUIPMENT

Loaders - Wheel							
APPLICATION	CYL #	Misc-Parts, Instructions, etc.	CODE	ROD	BORE	KIT #	List \$
MODEL 980F							
TILT LH							
	3G1306		P-UB-10	2-3/4	6-1/4	CTC-7X2688	236.72
	3G5070		P-UB-10	2-3/4	7	CTC-1328284	212.93
	4T6791		P-UB-10	3	6-1/4	CTC-7X2701	180.28
	9T2419		P-UB-10	3	6-1/4	CTC-1328491	361.09
TILT RH							
	3G1305		P-UB-10	2-3/4	6-1/4	CTC-7X2688	236.72
	3G5069		P-UB-10	2-3/4	7	CTC-1328284	212.93
	4T7949		P-UB-10	3	6-1/4	CTC-7X2701	180.28
	6E4866		P-UB-10	2-3/4	6-1/4	CTC-7X2688	236.72
	9T2418		P-UB-10	3	6-1/4	CTC-1328491	361.09
MODEL 980G							
LIFT							
	1118181		P-UB-10	3-1/2	7-3/4	CTC-2281775	255.21
STEERING							
	1151371		P-UB-10	2-1/4	4	CTC-1546526	228.66
TILT							
	1463032		P-UB-10	3	7	CTC-1605796	376.37
TILT LH							
	1125004		P-UB-10	2-3/4	6-1/4	CTC-7X2688	236.72
	1240617		P-UB-10	3	7	CTC-1605796	376.37
	1246227		P-UB-10	3	6-1/4	CTC-1917694	347.87
	1463035		P-UB-10	3	7	CTC-1605796	376.37
TILT RH							
	1125003		P-UB-10	2-3/4	6-1/4	CTC-7X2688	236.72
	1240616		P-UB-10	3	7	CTC-1605796	376.37
	1246228		P-UB-10	3	6-1/4	CTC-1917694	347.87
MODEL 980H							
LIFT							
	1118181		P-UB-10	3-1/2	7-3/4	CTC-2281775	255.21
STEERING							
	1151371		P-UB-10	2-1/4	4	CTC-1546526	228.66
TILT LH							
	1125004		P-UB-10	2-3/4	6-1/4	CTC-7X2688	236.72
	1240617		P-UB-10	3	7	CTC-1605796	376.37
	1246227		P-UB-10	3	6-1/4	CTC-1917694	347.87
TILT RH							
	1125003		P-UB-10	2-3/4	6-1/4	CTC-7X2688	236.72
	1240616		P-UB-10	3	7	CTC-1605796	376.37
	1246228		P-UB-10	3	6-1/4	CTC-1917694	347.87
MODEL 980K							
FORK							
	W7K1-						
	2032208		P-UB-10	2-1/4	5	CTC-2417578	101.85
LIFT							
	GTZ1-; W7K1-						
	3349861		P-UB-10	90 mm	180 mm	CTC-4572370	339.92
STEERING							
	GTZ1-; NEP1-; W7K1-						
	3195051		P-UB-10	55 mm	100 mm	CTC-3195051K	176.58
TILT							
	GTZ1-; W7K1-						
	3453897		P-UB-10	100 mm	140 mm	CTC-3453897K	175.84
	3519360		P-UB-10	100 mm	140 mm	CTC-3519360K	175.84
	W7K1-						
	3615042		P-UB-10	100 mm	150 mm	CTC-3615042K	180.40

REPLACEMENT KITS FOR CATERPILLAR® EQUIPMENT

Loaders - Wheel							
APPLICATION	CYL #	Misc-Parts, Instructions, etc.	CODE	ROD	BORE	KIT #	List \$
MODEL 980M							
COUPLER							
KRS1-UP; MK21-UP; N8T1-UP; WW31-UP; XDJ1-UP							
4522500			I-U-10	1	2-1/2	CTC-4560584	51.37
KRS1-UP; XDJ1-UP							
4476628			I-U-10	1	2-1/2	CTC-4560584	51.37
4522509			I-U-10	1	2-1/2	CTC-4560584	51.37
LIFT							
KRS1-UP; MGD1-UP; MK21-UP; N8T1-UP; WW31-UP; XDJ1-UP							
3826076			P-UB-10	90 mm	180 mm	CTC-4572370	339.92
3870059			P-UB-10	95 mm	130 mm	CTC-4710336	217.27
3870059			Bushing	95 mm		CTC-1289260	65.66
STEERING							
KRS1-UP; MGD1-UP; MK21-UP; N8T1-UP; WW31-UP; XDJ1-UP							
3950387			P-UB-10	55 mm	95 mm	CTC-4710276	167.47
TILT							
KRS1-UP; MGD1-UP; MK21-UP; N8T1-UP; WW31-UP; XDJ1-UP							
3827982			P-UB-10	95 mm	130 mm	CTC-4710336	217.27
3827982			Bushing	95 mm		CTC-1289260	65.66
KRS1-UP; MGD1-UP; N8T1-UP; WW31-UP; XDJ1-UP							
3519361			P-UB-10	100 mm	170 mm	CTC-SK100208	295.35
3519361			Bushing	100 mm		CTC-1140757	77.11
KRS1-UP; XDJ1-UP							
3615042			P-UB-10	100 mm	150 mm	CTC-SK100209	221.17
3615042			Bushing	100 mm		CTC-1140757	77.11
MK21-UP; N8T1-UP; WW31-UP							
3557732			P-UB-10	100 mm	170 mm	CTC-SK100208	295.35
3557732			Bushing	100 mm		CTC-1140757	77.11
MODEL 982M							
COUPLER							
K1Y1-UP; XDL1-UP							
4476628			I-U-10	1	2-1/2	CTC-4560584	51.37
LIFT							
F9A1-UP; K1Y1-UP; LRS1-UP; MK61-UP; WMD1-UP; XDL1-UP							
3596695			P-UB-10	100 mm	190 mm	CTC-4778370	326.30
3596695			Bushing	100 mm		CTC-1140757	77.11
LIFT & TILT							
K1Y1-UP; LRS20201-UP; MK620101-UP; XDL1-UP							
5205977			P-UB-10	95 mm	130 mm	CTC-4710336	217.27
5205977			Bushing	95 mm		CTC-1289260	65.66
STEERING							
F9A1-UP; K1Y1-UP; LRS1-UP; MK61-UP; WMD1-UP; XDL1-UP							
3950387			P-UB-10	55 mm	95 mm	CTC-4710276	167.47
TILT							
F9A1-UP; K1Y1-UP; LRS1-UP; MK61-UP; WMD1-UP; XDL1-UP							
3827981			P-UB-10	95 mm	130 mm	CTC-4710336	217.27
3827981			Bushing	95 mm		CTC-1289260	65.66
LRS20201-UP; MK620101-UP; XDL510-UP							
5276910			P-UB-10	100 mm	150 mm	CTC-SK100210	265.40
5276910			Bushing	100 mm		CTC-1140757	77.11
MODEL 988F							
LIFT							
9T8257			P-UB-10	4	8-1/2	CTC-7X2742	345.85
STEERING							
9J8165			P-UB-10	2-1/4	5	CTC-9X6392	255.99

REPLACEMENT KITS FOR CATERPILLAR® EQUIPMENT

Loaders - Wheel							
APPLICATION	CYL #	Misc-Parts, Instructions, etc.	CODE	ROD	BORE	KIT #	List \$
MODEL 988F							
TILT							
	3G2976		P-UB-10	3-1/2	8-1/2	CTC-7X2719	300.49
	4T6792		P-UB-10	3-1/2	7-3/4	CTC-1570284	273.28
	9J3632		P-UB-10	3-1/4	7-3/4	CTC-7X2706	409.48
MODEL 988G							
LIFT							
	1521644		P-UB-10	4-1/2	220 mm	CTC-2295546	591.43
LIFT LH							
	1686943	Logging Arrangement	P-UB-10	5	9-1/4	CTC-1686943K	539.49
	1738613		P-UB-10	5	220 mm	CTC-2295549	804.31
LIFT RH							
	1686942		P-UB-10	5	9-1/4	CTC-2857396	527.62
	1738612		P-UB-10	5	220 mm	CTC-2295549	804.31
STEERING LH							
	1338173		P-UB-10	2-1/2	4	CTC-1542501	229.70
	2594733		P-UB-10	2-1/2	4	CTC-2295538	266.02
STEERING RH							
	1353288		P-UB-10	2-1/2	4	CTC-1542501	229.70
	2594737		P-UB-10	2-1/2	4	CTC-2295538	266.02
TILT							
	1521644	High Lift Arrangement	P-UB-10	4-1/2	220 mm	CTC-2295546	591.43
	1686944		P-UB-10	4-1/2	9-1/4	CTC-3812504	596.06
	2311955		P-UB-10	4-1/2	220 mm	CTC-2295546	591.43
MODEL 988H							
COUPLER							
	BXY1-						
	1949203		I-U-15	30 mm	50 mm	CTC-2341902	34.92
LIFT LH							
	A7A1-						
	1738613		P-UB-10	5	220 mm	CTC-2295549	804.31
	BXY1-						
	1738613		P-UB-10	5	220 mm	CTC-2295549	804.31
LIFT RH							
	A7A1-						
	1738612		P-UB-10	5	220 mm	CTC-2295549	804.31
	BXY1-						
	1738612		P-UB-10	5	220 mm	CTC-2295549	804.31
STEERING							
	A7A1-; BXY1900-						
	2880568		P-UB-10	2-1/2	4	CTC-2295538	266.02
STEERING LH							
	BXY1-1899						
	2594733		P-UB-10	2-1/2	4	CTC-2295538	266.02
STEERING RH							
	BXY1-1899						
	2594737		P-UB-10	2-1/2	4	CTC-2295538	266.02
TILT							
	A7A1-; BXY1-						
	2311955		P-UB-10	4-1/2	220 mm	CTC-2295546	591.43
	BXY1-						
	2716441		P-UB-10	4-1/2	220 mm	CTC-2295546	591.43
MODEL 988K							
COUPLER							
	L8X1-UP; LWX1-UP; T8E1-UP; TWX1-UP						
	4522509		I-U-10	1	2-1/2	CTC-4560584	51.37
	4522509		Chk Vlv Kit			CTC-2138433	19.97

CATERPILLAR®

REPLACEMENT KITS FOR CATERPILLAR® EQUIPMENT

Loaders - Wheel							
APPLICATION	CYL #	Misc-Parts, Instructions, etc.	CODE	ROD	BORE	KIT #	List \$
MODEL 988K							
COUPLER							
	LWX1-UP; TWX1-476						
	3612507		I-U-10	1	2-1/2	CTC-4560584	51.37
	3612507		Chk Vlv Kit			CTC-2138433	19.97
FORK							
	L8X1-UP; LWX1-UP; T8E1-UP; TWX1-UP						
	5360885		P-UB-10,12	4	6	CTC-4395252	370.53
LIFT							
	L8X1-UP; LWX1-UP; T8E1-UP; TWX1-UP						
	4907561		P-UB-10	5	9-1/4	CTC-SK100221	508.38
	L8X242-UP; LWX1-UP; T8E1-UP; TWX1-UP						
	4907560		P-UB-10	5	9-1/4	CTC-SK100221	508.38
LIFT LH							
	L8X1-241; LWX1-UP; T8E1-UP; TWX1-UP						
	3813691		P-UB-10	5	9-1/4	CTC-SK100221	508.38
	L8X1-UP; LWX1-UP; T8E1-UP; TWX1-UP						
	3557378		P-UB-10	130 mm	210 mm	CTC-4779286	671.73
LIFT RH							
	L8X1-241; LWX1-UP; T8E1-UP; TWX1-UP						
	3813692		P-UB-10	5	9-1/4	CTC-SK100221	508.38
	L8X1-UP; LWX1-UP; T8E1-UP; TWX1-UP						
	3557377		P-UB-10	130 mm	210 mm	CTC-4779286	671.73
STEERING							
	L8X1-UP; LWX1-UP; T8E1-UP; TWX1-UP						
	3630218		P-UB-10	70 mm	100 mm	CTC-4710317	224.45
TILT							
	L8X1-241; LWX1-UP; T8E1-UP; TWX1-UP						
	3813690		P-UB-10	5-3/4	11-1/2	CTC-2297176	547.31
	L8X1-UP; LWX1-UP; T8E1-UP; TWX1-UP						
	3540798		P-UB-10	5-1/2	10-1/2	CTC-2481198	937.91
	L8X242-UP; LWX1-UP; T8E1-UP; TWX1-UP						
	4907324		P-UB-10	5-3/4	11-1/2	CTC-2297176	547.31
MODEL 988K XE							
FORK							
	E8X1-UP						
	5360885		P-UB-10,12	4	6	CTC-4395252	370.53
LIFT							
	E8X1-UP						
	4907560		P-UB-10	5	9-1/4	CTC-SK100221	508.38
	4907561		P-UB-10	5	9-1/4	CTC-SK100221	508.38
LIFT LH							
	E8X1-UP						
	3557378		P-UB-10	130 mm	210 mm	CTC-4779286	671.73
	3813691		P-UB-10	5	9-1/4	CTC-SK100221	508.38
LIFT RH							
	E8X1-UP						
	3557377		P-UB-10	130 mm	210 mm	CTC-4779286	671.73
	3813692		P-UB-10	5	9-1/4	CTC-SK100221	508.38
STEERING							
	E8X1-UP						
	3630218		P-UB-10	70 mm	100 mm	CTC-4710317	224.45
TILT							
	E8X1-UP						
	3540798		P-UB-10	5-1/2	10-1/2	CTC-2481198	937.91
	3813690		P-UB-10	5-3/4	11-1/2	CTC-2297176	547.31
	4907324		P-UB-10	5-3/4	11-1/2	CTC-2297176	547.31

REPLACEMENT KITS FOR CATERPILLAR® EQUIPMENT

Loaders - Wheel							
APPLICATION	CYL #	Misc-Parts, Instructions, etc.	CODE	ROD	BORE	KIT #	List \$
MODEL 990							
LIFT							
	9T9569		P-UB-10	6	9-1/4	CTC-1353857	462.22
STEERING LH							
	6E1244		P-UB-14	3-1/4	5-1/2	CTC-1354539	196.92
STEERING RH							
	9T9568		P-UB-14	3-1/4	5-1/2	CTC-1354539	196.92
TILT							
	1459897		P-UB-10	5-3/4	11-1/2	CTC-1354382	722.03
	9T9570		P-UB-10	5-3/4	11-1/2	CTC-1354382	722.03
MODEL 992D							
LIFT							
	1028731		P-UB-10	7	11-1/2	CTC-7X2809	722.85
	1U1771		P-UB-10	7	11-1/2	CTC-7X2809	722.85
	9J2994		P-UB-10	7	11-1/2	CTC-7X2809	722.85
STEERING							
	9J5419		P-UB-10	3-1/4	7	CTC-7X2710	325.07
TILT LH							
	1026248		P-UB-10	4	10	CTC-7X2810	369.29
	1U1767		P-UB-10	4	10	CTC-7X2811	439.22
	3G4599		P-UB-10	4	10	CTC-7X2810	369.29
TILT RH							
	1026247		P-UB-10	4	10	CTC-7X2810	369.29
	1U1766		P-UB-10	4	10	CTC-7X2811	439.22
	3G4598		P-UB-10	4	10	CTC-7X2810	369.29
MODEL 992G							
LIFT LH							
	7HR1-						
	1128209		P-UB-10	7	11	CTC-1570289	1530.84
	7HR1-231						
	1128209		P-UB-10	7	11	CTC-1597532	1530.84
	7HR232-99999; ADZ1-; AZX1-833						
	1621523		P-UB-10	7	11	CTC-2297189	1010.97
	AZX834-						
	3153044		P-UB-10	7	11	CTC-2297189	1010.97
LIFT RH							
	7HR1-231						
	1367880		P-UB-10	7	11	CTC-1570289	1530.84
	1367880		P-UB-10	7	11	CTC-1597532	1530.84
	7HR232-99999; ADZ1-; AZX1-833						
	1621522		P-UB-10	7	11	CTC-2297189	1010.97
	AZX834-						
	3153043		P-UB-10	7	11	CTC-2297189	1010.97
STEERING							
	7HR1-99999; ADZ1-; AZX1-						
	1128208		P-UB-10	3-1/4	5-1/2	CTC-2297191	368.97
TILT							
	7HR1-99999; ADZ1-; AZX1-						
	1677996		P-UB-10	5-1/2	11	CTC-2297190	725.66
MODEL 992K							
LIFT LH							
	8801-						
	2711717		P-UB-10	7	11	CTC-2297189	1010.97
	H4C1-						
	2711717		P-UB-10	7	11	CTC-2297189	1010.97
	H4C1-; ZMX1-						
	2711717		P-UB-10	7	11	CTC-2297189	1010.97

CATERPILLAR®

REPLACEMENT KITS FOR CATERPILLAR® EQUIPMENT

Loaders - Wheel							
APPLICATION	CYL #	Misc-Parts, Instructions, etc.	CODE	ROD	BORE	KIT #	List \$
MODEL 992K							
LIFT RH							
8801-; ZMX1-							
	2711716		P-UB-10	7	11	CTC-2297189	1010.97
H4C1-							
	2711716		P-UB-10	7	11	CTC-2297189	1010.97
STEERING							
8801-; H4C1-; ZMX1-							
	1571352		P-UB-10	3-1/4	5-1/2	CTC-2297191	368.97
TILT LH							
8801-; H4C1-; ZMX1-							
	2713572		P-UB-10	6	10-1/2	CTC-2713572K	1246.19
MODEL 994D							
LIFT							
3TZ1-UP							
	1934076		P-UB-10	8	12	CTC-2456821	1850.14
	9T9020		P-UB-10	8	12	CTC-2456821	1850.14
LIFT (HI-LIFT)							
3TZ1-UP							
	1934075		P-UB-10	8	12	CTC-2456821	1850.14
	9T9023		P-UB-10	8	12	CTC-2456821	1850.14
STEERING LH							
3TZ1-UP							
	6E0529		P-UB-10	4-1/4	7-3/4	CTC-1309763	610.49
	6E0529		P-UB-1	4-1/4		CTC-1309771	427.42
STEERING RH							
3TZ1-UP							
	9T9019		P-UB-10	4-1/4	7-3/4	CTC-2463431	610.49
	9T9019		P-UB-1	4-1/4		CTC-2463432	427.42
TILT LH							
3TZ1-UP							
	1123172	CHG 10-	P-UB-10	5-1/2	10-1/2	CTC-2342590	845.32
	1123172		P-UB-10	5-1/2	10-1/2	CTC-2463437	1041.53
TILT LH (HI-LIFT)							
3TZ1-UP							
	1142820		P-UB-10	5-1/2	10-1/2	CTC-2463437	1041.53
	2196272	CHG 01-	P-UB-10	5-1/2	10-1/2	CTC-2342590	845.32
	2196272		P-UB-10	5-1/2	10-1/2	CTC-2463437	1041.53
TILT RH							
3TZ1-UP							
	1123171	CHG 10, 11-	P-UB-10	5-1/2	10-1/2	CTC-2342590	845.32
	1123171		P-UB-10	5-1/2	10-1/2	CTC-2463437	1041.53
TILT RH (HI-LIFT)							
3TZ1-UP							
	1142821		P-UB-10	5-1/2	10-1/2	CTC-2463437	1041.53
	2196273	CHG 01-	P-UB-10	5-1/2	10-1/2	CTC-2342590	845.32
	2196273		P-UB-10	5-1/2	10-1/2	CTC-2463437	1041.53
MODEL R1300							
EJECTOR							
6QW1-UP; LJB1-UP; RSL1-UP							
			P-UB-10	2-1/4	4	CTC-2342591	103.20
LIFT							
6QW1-UP; LJB1-UP; RSL1-UP							
			P-UB-10	3-1/4	7	CTC-2281779	240.29
RAMMER							
6QW							
			P-UB-10	2-1/2	5	CTC-2430387	333.32

REPLACEMENT KITS FOR CATERPILLAR® EQUIPMENT

Loaders - Wheel							
APPLICATION	CYL #	Misc-Parts, Instructions, etc.	CODE	ROD	BORE	KIT #	List \$
MODEL R1300							
STEERING							
		6QW1-UP; LJB1-UP; RSL1-UP	P-UB-10	3	6	CTC-2378313	345.11
TILT							
		6QW1-UP; LJB1-UP; RSL1-UP	P-UB-10	4-1/4	8-1/4	CTC-2436225	369.34
MODEL R1300G							
EJECTOR							
		6QW1-UP; LJB1-UP; RSL1-UP	P-UB-10	2-1/4	4	CTC-2342591	103.20
LIFT							
		6QW1-UP; LJB1-UP; RSL1-UP	P-UB-10	3-1/4	7	CTC-2281779	240.29
RAMMER							
		6QW	P-UB-10	2-1/2	5	CTC-2430387	333.32
STEERING							
		6QW1-UP; LJB1-UP; RSL1-UP	P-UB-10	3	6	CTC-2378313	345.11
TILT							
		6QW1-UP; LJB1-UP; RSL1-UP	P-UB-10	4-1/4	8-1/4	CTC-2436225	369.34
MODEL R1600							
EJECTOR							
		9EW1-UP; 9XP1-UP; 9PP1-UP; 9YZ1-UP	P-UB-10	2	4-1/2	CTC-2409936	225.17
LIFT							
		9EW830-837	P-UB-10	3-1/4	7	CTC-2281779	240.29
		9EW838-UP; 9XP; 9PP; 9YZ	P-UB-10	3-1/2	7-1/2	CTC-2456831	343.60
STEERING							
		9EW1-UP; 9XP1-UP; 9PP1-UP; 9YZ1-UP	P-UB-10	2	4	CTC-2409538	110.44
TILT							
		9EW1-UP; 9XP1-UP; 9PP1-UP; 9YZ1-UP	P-UB-10	5	9-1/4	ELPH-9EP9170	503.55
MODEL R1600G							
EJECTOR							
		9EW1-UP; 9XP1-UP; 9PP1-UP; 9YZ1-UP	P-UB-10	2	4-1/2	CTC-2409936	225.17
LIFT							
		9EW830-837	P-UB-10	3-1/4	7	CTC-2281779	240.29
		9EW838-UP; 9XP; 9PP; 9YZ	P-UB-10	3-1/2	7-1/2	CTC-2456831	343.60
STEERING							
		9EW1-UP; 9XP1-UP; 9PP1-UP; 9YZ1-UP	P-UB-10	2	4	CTC-2409538	110.44
TILT							
		9EW1-UP; 9XP1-UP; 9PP1-UP; 9YZ1-UP	P-UB-10	5	9-1/4	ELPH-9EP9170	503.55
MODEL R1700							
LIFT							
		4LZ127-178	P-UB-10	4	8-1/2	ELPH-9DE2659	406.08

REPLACEMENT KITS FOR CATERPILLAR® EQUIPMENT

Loaders - Wheel							
APPLICATION	CYL #	Misc-Parts, Instructions, etc.	CODE	ROD	BORE	KIT #	List \$
MODEL R1700							
LIFT							
	4LZ179-187		P-UB-10	4	8-1/2	ELPH-9EL7527	453.00
	4LZ188-UP; 8XZ; SBR		P-UB-10	4	8-1/2	CTC-2460659	418.82
STEERING							
	4LZ1-UP; 8XZ1-UP; SBR1-UP		P-UB-10	2-1/2	5	CTC-1636223	339.13
TILT							
	4LZ127-130		P-UB-10	4	10	ELPH-9DE2994	518.91
	4LZ131-UP; 8XZ; SBR		P-UB-10	5-1/2	10	CTC-1663850	763.24
MODEL R1700G							
LIFT							
	4LZ127-178		P-UB-10	4	8-1/2	ELPH-9DE2659	406.08
	4LZ179-187		P-UB-10	4	8-1/2	ELPH-9EL7527	453.00
	4LZ188-UP; 8XZ; SBR		P-UB-10	4	8-1/2	CTC-2460659	418.82
STEERING							
	4LZ1-UP; 8XZ1-UP; SBR1-UP		P-UB-10	2-1/2	5	CTC-1636223	339.13
TILT							
	4LZ127-130		P-UB-10	4	10	ELPH-9DE2994	518.91
	4LZ131-UP; 8XZ; SBR		P-UB-10	5-1/2	10	CTC-1663850	763.24
Motor Graders							
APPLICATION	CYL #	Misc-Parts, Instructions, etc.	CODE	ROD	BORE	KIT #	List \$
MODEL 12G							
ARTICULATION							
	8J0546		P-UB-10	1-3/4	3	CTC-7X2791	141.74
	9T2453		P-UB-10	1-3/4	3	CTC-7X2825	85.90
	9T8784		P-UB-10	1-3/4	3	CTC-7X2825	85.90
BACKHOE STICK/BLADE SHIFT							
	8J0028		P-UB-10	1-3/4	3	CTC-7X2791	141.74
BLADE							
	3G5223		P-UB-10	2	3-1/4	CTC-7X2767	108.65
	8J6380		P-UB-10	2	3-1/4	CTC-7X2767	108.65
	9T2472		P-UB-10	2	3	CTC-7X2753	103.74
	9T2472		P-UB-10	2	3	CTC-7X2760	112.74
BLADE TIP							
	6E1549		P-UB-10	1-1/2	2-3/4	CTC-1361599	163.14
	8J0024		P-UB-10	1-1/2	2-3/4	CTC-7X2749	94.50
	8J0024		P-UB-10	1-1/2	2-3/4	CTC-8T1402	71.30
	9J3466		P-UB-10	1-1/2	2-3/4	CTC-7X2749	94.50
	9T2461		P-UB-10	1-1/2	2-3/4	CTC-1361599	163.14
CENTER SHIFT							
	3G5224		P-UB-10	2	3-1/4	CTC-7X2767	108.65
	9T2549		P-UB-10	2	3	CTC-7X2760	112.74
CONVEYOR SWING							
	3G5224		P-UB-10	2	3-1/4	CTC-7X2767	108.65
	8J6367		P-UB-10	2	3-1/4	CTC-7X2767	108.65
	9T2549		P-UB-10	2	3	CTC-7X2760	112.74

REPLACEMENT KITS FOR CATERPILLAR® EQUIPMENT

Motor Graders							
APPLICATION	CYL #	Misc-Parts, Instructions, etc.	CODE	ROD	BORE	KIT #	List \$
MODEL 12G							
PUMP							
	61M; 72V; 74V						
	8J0498					CTC-3G1708	258.09
RIPPER							
	1137754		P-UB-10	2	4	CTC-1328816	148.39
	8J1658		P-UB-10	2	4	CTC-1328816	148.39
SCARIFIER							
	3G1853		P-UB-10	1-3/4	3	CTC-7X2791	141.74
	8J7321		P-UB-10	1-1/2	3	CTC-7X2751	102.45
	9T2554		P-UB-10	1-3/4	3	CTC-7X2825	85.90
	9T6951		P-UB-10	1-3/4	3	CTC-7X2825	85.90
SIDESHIFT							
	1052094		P-UB-10	1-3/4	3	CTC-7X2825	85.90
	9T2483		P-UB-10	1-3/4	3	CTC-7X2825	85.90
STEERING LH							
	3G8070		P-UB-10	1-1/2	2-1/2	CTC-7X2739	90.45
	8J8820		P-UB-10	1-1/2	2-1/2	CTC-7X2739	90.45
	9T2395		P-UB-10	1-1/2	2-1/4	CTC-7X2826	65.19
STEERING RH							
	3G8069		P-UB-10	1-1/2	2-1/2	CTC-7X2739	90.45
	8J5538		P-UB-10	1-1/2	2-1/2	CTC-7X2739	90.45
	9T2393		P-UB-10	1-1/2	2-1/4	CTC-7X2826	65.19
WHEEL LEAN							
	1219242		P-UB-10	2	3-1/2	CTC-7X2783	164.74
	3G4752		P-UB-10	1-1/2	3-1/2	CTC-7X2752	152.63
	8J5539		P-UB-10	1-1/2	3-1/2	CTC-7X2752	152.63
	9T2520		P-UB-10	1-1/2	3-1/2	CTC-1327058	166.20
MODEL 12H							
ARTICULATION							
	1251-; 2GS1-; 2LR1-; 2WR1-; 4ER1-; 4XM1-; 5ZM1-303; 8MN1-; AMZ1-; CBK1-; XZJ1-						
	9T8784		P-UB-10	1-3/4	3	CTC-3769017	62.45
	2GS1-; 2LR1-; 2WR1-; 4ER1-; 4XM1-; 5ZM1-303; 8MN1-; XZJ1-						
	6E1560		P-UB-10	1-3/4	3	CTC-3769017	62.45
	AMZ1-; CBK1-						
	1376792		P-UB-10	1-7/8	3-1/4	CTC-2465926	70.71
BLADE LIFT							
	1251-; 2GS1-; 2LR291-; 2WR1-; 4ER1-; 4XM766-; 5ZM1-; 8MN1-; AMZ1-; CBK1-						
	1324929		P-UB-10	2	3	CTC-2384462	71.73
BLADE TIP							
	1251-; 2WR566-						
	9T2461		P-UB-10	1-1/2	2-3/4	CTC-2339204	100.11
	1251-; 2WR753-						
	1317191		P-UB-10	1-1/2	2-3/4	CTC-1856596	74.10
	2GS1-388; 2LR1-; 2WR1-; 4ER1-; 4XM1-2005; 5ZM1-297; 8MN1-669						
	6E1549		P-UB-10	1-1/2	2-3/4	CTC-2339204	100.11
	2GS389-; 4ER557-; 4XM2006-; 5ZM298-; 8MN670-; AMZ1-; CBK1-; XZJ1-						
	1317191		P-UB-10	1-1/2	2-3/4	CTC-2339204	100.11
CENTER SHIFT							
	1251-; 2GS1-; 2LR1-; 2WR1-; 4ER1-; 4XM1-; 5ZM1-; 8MN1-; AMZ1-; CBK1-; XZJ1-						
	6E1343		P-UB-10	2	3	CTC-1857667	135.46
CONVEYOR SWING							
	6E1343		P-UB-10	2	3	CTC-7X2760	112.74
LIFT							
	2LR1-290; 2WR1-; 4ER1-; 4XM1-760; 4XM763-765; 8MN1-						
	6E1338		P-UB-10	2	3	CTC-2384462	71.73

CATERPILLAR®

REPLACEMENT KITS FOR CATERPILLAR® EQUIPMENT

Motor Graders							
APPLICATION	CYL #	Misc-Parts, Instructions, etc.	CODE	ROD	BORE	KIT #	List \$
MODEL 12H							
LIFT							
	2WR1-						
	3Q8420		P-UB-10	1-3/4	3	CTC-7X2791	141.74
LIFT/TILT							
	1251-; 2WR1-						
	1526485		P-UB-10	2	4	CTC-2409538	110.44
RIPPER							
	1251-; 2LR1-; 2WR1-; 4XM1-; 5ZM1-; AMZ1-						
	1137754		P-UB-10	2	4	CTC-1857688	111.41
	2GS1-; 4ER1-; 8MN1-; CBK1-; XZJ1-						
	1137754		P-UB-10	2	4	CTC-2339205	68.83
SCARIFIER							
	9T2554		P-UB-10	1-3/4	3	CTC-7X2825	85.90
	2GS1-; 2LR1-; 2WR1-; 4ER1-303; 4XM2285-; 5ZM1-; 8MN1-; AMZ1-; CBK1-; XZJ1-						
	1652510		P-UB-10	1-3/4	3	CTC-3769017	62.45
	2LR1-; 4XM1-2284; 5ZM1-						
	9T6951		P-UB-10	1-3/4	3	CTC-7X2825	85.90
SIDESHIFT							
	1251-; 2GS1-; 2LR1-; 2WR1-; 4ER1-; 4XM1-; 5ZM1-; 8MN1-; AMZ1-; CBK1-; XZJ1-						
	1125575		P-UB-10	1-3/4	3	CTC-3769017	62.45
STEERING LH							
	1251-; 2GS448-; 2LR1-; 2WR881-883; 2WR887-; 4ER627-; 4XM1-; 8MN724-; AMZ1-; CBK1-; XZJ1-						
	1309041		P-UB-10	1-1/2	2-1/4	CTC-1856590	48.88
	2GS1-447; 2LR1-; 2WR1-880; 2WR884-886; 4ER1-626; 4XM1-; 5ZM1-303; 8MN1-723						
	9T2395		P-UB-10	1-1/2	2-1/4	CTC-2465916	86.26
STEERING RH							
	1251-; 2GS448-; 2LR1-; 2WR881-883; 2WR887-; 4ER627-; 4XM1-; 8MN724-; AMZ1-; CBK1-; XZJ1-						
	1309042		P-UB-10	1-1/2	2-1/4	CTC-1856590	48.88
	2GS1-447; 2LR1-; 2WR1-880; 2WR884-886; 4ER1-626; 4XM1-; 5ZM1-303						
	9T2393		P-UB-10	1-1/2	2-1/4	CTC-2465916	86.26
WHEEL LEAN							
	9T2520		P-UB-10	1-1/2	3-1/2	CTC-1327058	166.20
	1251-; 2GS1-; 2LR1-2WR1-; 4ER1-; 4XM1-; 5ZM1-303; 8MN1-; AMZ1-; CBK1-; XZJ1-						
	1219242		P-UB-10	2	3-1/2	CTC-3769011	113.82
MODEL 12M							
ARTICULATION							
	B921-; F9B1-; F9M1-; R9P1-; R9S1-						
	2470096		P-UB-10	1-7/8	3-1/4	CTC-2465926	70.71
	B9F1-13; B9R1-23						
	2627758		P-UB-10	1-3/4	3	CTC-2275350	53.51
	B9F14-; B9R24-						
	3163308		P-UB-10	1-3/4	3	CTC-3769017	62.45
	R9B1-						
	3163308		P-UB-10	1-3/4	3	CTC-3233312	62.45
BLADE							
	B9F1-; B921-						
	3149338		P-UB-10	1-3/4	3-1/2	CTC-3260503	256.33
BLADE LIFT							
	B921-; F9B1-; F9M1-; R9P1-; R9S1-						
	3351974		P-UB-10	2	3	CTC-2384462	71.73
	B9F1-; B9R1-; R9B1-						
	2707534		P-UB-10	2	3	CTC-2384462	71.73
BLADE TIP							
	B9F1-; B9R1-; B921-; F9B1-; F9M1-; R9B1-; R9P1-; R9S1-						
	1317191		P-UB-10	1-1/2	2-3/4	CTC-2339204	100.11

REPLACEMENT KITS FOR CATERPILLAR® EQUIPMENT

Motor Graders							
APPLICATION	CYL #	Misc-Parts, Instructions, etc.	CODE	ROD	BORE	KIT #	List \$
MODEL 12M							
CENTER SHIFT							
B921-; F9B1-; F9M1-; R9P1-; R9S1-							
	2621907		P-UB-10	2	3	CTC-2384462	71.73
B9F1-; B9R1-; R9B1-							
	2621908		P-UB-10	2	3	CTC-2384462	71.73
LIFT							
B9F1-; B9R1-; R9B1-							
	3351973		P-UB-10	2	3	CTC-2384462	71.73
RIPPER							
B9F1-; B921-							
	1137754		P-UB-10	2	4	CTC-2339205	68.83
B9F1-; B921-; F9B1-; F9M1-; R9P1-; R9S1-							
	3262227		P-UB-10	50 mm	110 mm	CTC-4173698	148.19
B9R1-; R9B1-							
	1137754		P-UB-10	2	4	CTC-1857688	111.41
SCARIFIER							
B9F1-; B9R1-; B921-; F9B1-; F9M1-; R9B1-; R9P1-; R9S1-							
	1652510		P-UB-10	1-3/4	3	CTC-3769017	62.45
SIDESHIFT							
B9F1-; B9R1-; B921-; F9B1-; F9M1-; R9B1-; R9P1-; R9S1-							
	2494116		P-UB-10	1-3/4	3	CTC-3769017	62.45
STEERING							
B92249-UP							
	3896062		P-UB-10	2	3	CTC-3076273	59.57
B9F1-; B9R1-; B921-; F9M1-; R9B1-; R9S1-							
	2558715		P-UB-10	2	3	CTC-3076273	59.57
F9B1-; R9P1-							
	2625766		P-UB-10	2	3	CTC-3076273	59.57
WHEEL LEAN							
B9F1-; B9R1-; B921-; F9B1-; F9M1-; R9B1-; R9P1-; R9S1-							
	2495299		P-UB-10	2	3-1/2	CTC-3769011	113.82
WORK TOOL LIFT							
B9F1-; B9R1-; B921-; F9B1-; F9M1-; R9B1-; R9S1-							
	2173501		P-UB-10	1-3/4	3-1/2	CTC-2401881	115.17
MODEL 12M2							
ARTICULATION							
F9B1-UP; F9M1-UP; R9P1-UP; R9S1-UP							
	2470096		P-UB-10	1-7/8	3-1/4	CTC-2465926	70.71
BLADE LIFT							
F9B1-UP; F9M1-UP; R9P1-UP; R9S1-UP							
	3351974		P-UB-10	2	3	CTC-2384462	71.73
BLADE TIP							
F9B1-UP; F9M1-UP; R9P1-UP; R9S1-UP							
	1317191		P-UB-10	1-1/2	2-3/4	CTC-2339204	100.11
BULLDOZER							
F9B1-UP; F9M1-UP							
	3149338		P-UB-10	1-3/4	3-1/2	CTC-3260503	256.33
CENTERSHIFT							
F9B1-UP; F9M1-UP; R9P1-UP; R9S1-UP							
	2621907		P-UB-10	2	3	CTC-2384462	71.73
LINK							
R9P1-UP; R9S1-UP							
	2773811		P-UB-10	1-3/4	3-1/2	CTC-2401881	115.17
MAST							
R9P1-UP; R9S1-UP							
	2558000		GK-I-U-12	2, 3	2-1/2, 3-1/2	CTC-2599096	308.50

CATERPILLAR®

REPLACEMENT KITS FOR CATERPILLAR® EQUIPMENT

Motor Graders							
APPLICATION	CYL #	Misc-Parts, Instructions, etc.	CODE	ROD	BORE	KIT #	List \$
MODEL 12M2							
RIPPER							
	F9B1-UP; F9M1-UP; R9P1-UP; R9S1-UP						
	3262227		P-UB-10	50 mm	110 mm	CTC-4173698	148.19
SCARIFIER							
	F9B1-UP; F9M1-UP; R9P1-UP; R9S1-UP						
	1652510		P-UB-10	1-3/4	3	CTC-3769017	62.45
SIDESHIFT							
	F9B1-UP; F9M1-UP; R9P1-UP; R9S1-UP						
	2494116		P-UB-10	1-3/4	3	CTC-3769017	62.45
STEERING							
	F9B185-UP						
	3844547		P-UB-10	2	3	CTC-3076273	59.57
	F9B1-UP; R9P1-UP						
	2625766		P-UB-10	2	3	CTC-3076273	59.57
	F9M1-UP; R9S1-UP						
	2558715		P-UB-10	2	3	CTC-3076273	59.57
	F9M410-UP; R9S1-UP						
	3896062		P-UB-10	2	3	CTC-3076273	59.57
WHEEL LEAN							
	F9B1-UP; F9M1-UP; R9P1-UP; R9S1-UP						
	2495299		P-UB-10	2	3-1/2	CTC-3769011	113.82
WORK TOOL LIFT							
	F9B1-UP; F9M1-UP; R9P1-UP; R9S1-UP						
	2173501		P-UB-10	1-3/4	3-1/2	CTC-2401881	115.17
MODEL 12M3							
ARTICULATION							
	N9B1-UP; N9F1-UP; N9P1-UP; N9R1-UP						
	2470096		P-UB-10	1-7/8	3-1/4	CTC-2465926	70.71
BLADE							
	N9B1-UP; N9F1-UP						
	3149338		P-UB-10	1-3/4	3-1/2	CTC-3260503	256.33
BLADE LIFT							
	N9B1-UP; N9F1-UP; N9P1-UP; N9R1-UP						
	3351974		P-UB-10	2	3	CTC-2384462	71.73
BLADE TIP							
	N9B1-UP; N9F1-UP; N9P1-UP; N9R1-UP						
	1317191		P-UB-10	1-1/2	2-3/4	CTC-2339204	100.11
CENTERSHIFT							
	N9B1-UP; N9F1-UP; N9P1-UP; N9R1-UP						
	2621907		P-UB-10	2	3	CTC-2384462	71.73
RIPPER							
	N9B1-UP; N9F1-UP; N9P1-UP; N9R1-UP						
	3262227		P-UB-10	50 mm	110 mm	CTC-4173698	148.19
SCARIFIER							
	N9B1-UP; N9F1-UP; N9P1-UP; N9R1-UP						
	1652510		P-UB-10	1-3/4	3	CTC-3769017	62.45
SIDESHIFT							
	N9B1-UP; N9F1-UP; N9P1-UP; N9R1-UP						
	2494116		P-UB-10	1-3/4	3	CTC-3769017	62.45
	N9P1-UP; N9R1-UP						
	5096993		P-UB-10	1-3/4	3	CTC-SK100214	111.68
STEERING							
	N9B1-UP; N9P1-UP						
	3844547		P-UB-10	2	3	CTC-4710161	140.76
	N9P1-UP; N9R1-UP						
	3896062		P-UB-10	2	3	CTC-4710161	140.76

REPLACEMENT KITS FOR CATERPILLAR® EQUIPMENT

Motor Graders							
APPLICATION	CYL #	Misc-Parts, Instructions, etc.	CODE	ROD	BORE	KIT #	List \$
MODEL 12M3							
WHEEL LEAN							
		N9B1-UP; N9F1-UP; N9P1-UP; N9R1-UP					
	2495299		P-UB-10	2	3-1/2	CTC-3769011	113.82
WORK TOOL LIFT							
		N9B1-UP; N9F1-UP					
	2173501		P-UB-10	1-3/4	3-1/2	CTC-2401881	115.17
WORK TOOL SNOW WING							
		N9P1-UP; N9R1-UP					
	2773836		P-UB-10	1-3/4	3	CTC-2402016	66.44
MODEL 14G							
ARTICULATION							
	1U2704		P-UB-10	2	3-1/2	CTC-7X2792	140.42
	6E2446		P-UB-10	2	3-1/2	CTC-7X2783	164.74
	6E4724		P-UB-10	2	3-1/2	CTC-7X2783	164.74
	9T2879		P-UB-10	2	3-1/2	CTC-7X2783	164.74
BACKHOE STICK/BLADE SHIFT							
	8J6359		P-UB-10	2-1/4	3-3/4	CTC-7X2798	121.44
BLADE							
	8J6010		P-UB-10	2-1/4	3-3/4	CTC-7X2798	121.44
BLADE LIFT							
	3G5227		P-UB-10	2-1/4	3-3/4	CTC-7X2798	121.44
BLADE TIP							
	9T3198		P-UB-10	2	4	CTC-1328816	148.39
	9T8944		P-UB-10	2	4	CTC-1328816	148.39
CENTER SHIFT							
	3G5228		P-UB-10	2-1/4	3-3/4	CTC-7X2798	121.44
CONVEYOR SWING							
	3G5228		P-UB-10	2-1/4	3-3/4	CTC-7X2798	121.44
	8J6250		P-UB-10	2-1/4	3-3/4	CTC-7X2798	121.44
DRAWBAR TIP							
	8J6256		P-UB-10	1-3/4	3	CTC-7X2791	141.74
LIFT RH							
	6J5843		P-UB-10	2-1/2	5	CTC-7X2675	198.81
RIPPER							
	1135264		P-UB-10	2-1/2	5	CTC-1361967	293.83
	3G1762		P-UB-10	2-1/2	5	CTC-1315106	232.77
	3G5189		P-UB-10	2-1/2	5	CTC-7X2658	269.30
SIDESHIFT							
	4T0340		P-UB-10	2-1/2	4	CTC-7X2665	237.11
	9T3206		P-UB-10	2-1/2	4	CTC-1542501	229.70
STEERING LH							
	3G7644		P-UB-10	1-1/2	2-3/4	CTC-7X2749	94.50
	9J0541		P-UB-10	1-1/2	2-3/4	CTC-7X2749	94.50
	9T1721		P-UB-10	1-3/4	2-1/2	CTC-1539054	181.05
STEERING RH							
	3G7643		P-UB-10	1-1/2	2-3/4	CTC-7X2749	94.50
	8J5386		P-UB-10	1-1/2	2-3/4	CTC-7X2749	94.50
	9T1301		P-UB-10	1-3/4	2-1/2	CTC-1539054	181.05
TIP							
	4T0379		P-UB-10	2	4	CTC-1328816	148.39
WHEEL LEAN							
	1219243		P-UB-10	2	3-1/2	CTC-7X2783	164.74
	3G4751		P-UB-10	1-1/2	3-1/2	CTC-7X2752	152.63
	8J5385		P-UB-10	1-1/2	3-1/2	CTC-7X2752	152.63
	9T3219		P-UB-10	1-1/2	3-1/2	CTC-1327058	166.20

REPLACEMENT KITS FOR CATERPILLAR® EQUIPMENT

Motor Graders							
APPLICATION	CYL #	Misc-Parts, Instructions, etc.	CODE	ROD	BORE	KIT #	List \$
MODEL 14H							
ARTICULATION							
6E2446			P-UB-10	2	3-1/2	CTC-7X2783	164.74
9T2879			P-UB-10	2	3-1/2	CTC-7X2783	164.74
7WJ1-							
6E4724			P-UB-10	2	3-1/2	CTC-3769011	113.82
ASE1-							
1846804			P-UB-10	2	3-1/2	CTC-3769011	113.82
BLADE LIFT							
7WJ1-							
9T2703			P-UB-10	2-1/4	3-1/2	CTC-2350355	256.63
7WJ1-; ASE1-							
1752603			P-UB-10	2-1/4	3-1/2	CTC-2350355	256.63
BLADE TIP							
9T3198			P-UB-10	2	4	CTC-1328816	148.39
7WJ1-; ASE1-							
9T8944			P-UB-10	2	4	CTC-2339205	68.83
CENTER SHIFT							
7WJ1-985							
9T2696			P-UB-10	2-1/4	3-1/2	CTC-2350355	256.63
7WJ986-							
1574679			P-UB-10	2-1/4	3-1/2	CTC-2350355	256.63
7WJ986-; ASE1-							
2095773			P-UB-10	2-1/4	3-1/2	CTC-2350355	256.63
RIPPER							
7WJ1-; ASE1-							
1135264	0.98 wide rod bearing		P-UB-10	2-1/2	5	CTC-2275347	150.12
1135264	1.24" wide rod bearing		P-UB-10	2-1/2	5	CTC-2430384	129.73
SIDESHIFT							
7WJ1-; ASE1-							
9T3206	0.98 wide rod bearing		P-UB-10	2-1/2	4	CTC-2341949	78.76
9T3206	1.24" wide rod bearing		P-UB-10	2-1/2	4	CTC-2422548	92.22
STEERING LH							
7WJ1-							
9T1301	Cyl Type 1, Head 6E4941		P-UB-10	1-3/4	2-1/2	CTC-2402484	177.04
9T1301	Cyl Type 2, Head 1515349 or 3831592		P-UB-10	1-3/4	2-1/2	CTC-2405500	92.27
9T1721	Cyl Type 1, Head 6E4941		P-UB-10	1-3/4	2-1/2	CTC-2402484	177.04
9T1721	Cyl Type 2, Head 1515349 or 3831592		P-UB-10	1-3/4	2-1/2	CTC-2405500	92.27
7WJ1-; ASE1-							
1652496			P-UB-10	1-3/4	2-1/2	CTC-2405500	92.27
STEERING RH							
9T1301			P-UB-10	1-3/4	2-1/2	CTC-1539054	181.05
7WJ1-; ASE1-							
1652495			P-UB-10	1-3/4	2-1/2	CTC-2405500	92.27
WHEEL LEAN							
9T3219			P-UB-10	1-1/2	3-1/2	CTC-1327058	166.20
7WJ1-; ASE1-							
1219243			P-UB-10	2	3-1/2	CTC-3769011	113.82
MODEL 14M							
ARTICULATION							
B9J1-1450; R9J1-							
3039598			P-UB-10	55 mm	95 mm	CTC-3176058	177.68
BLADE LIFT							
B9J1-1450; R9J1-250							
2707536			P-UB-10	2-1/4	3-1/2	CTC-2350355	256.63
R9J251-							
3657414			P-UB-10	2-1/4	3-1/2	CTC-2350355	256.63

REPLACEMENT KITS FOR CATERPILLAR® EQUIPMENT

Motor Graders							
APPLICATION	CYL #	Misc-Parts, Instructions, etc.	CODE	ROD	BORE	KIT #	List \$
MODEL 14M							
BLADE TIP							
B9J1-1450; R9J1-							
	9T8944		P-UB-10	2	4	CTC-2339205	68.83
CENTER SHIFT							
B9J1-1450; R9J1-							
	2621906		P-UB-10	2-1/4	3-1/2	CTC-2350355	256.63
RIPPER							
B9J1-1450; R9J1-							
	1135264	0.98 wide rod bearing	P-UB-10	2-1/2	5	CTC-2275347	150.12
	1135264	1.24" wide rod bearing	P-UB-10	2-1/2	5	CTC-2430384	129.73
SIDESHIFT							
B9J1-1450; R9J1-							
	2575083		P-UB-10	2-1/2	4	CTC-2341949	78.76
STEERING LH							
B9J1-1450; R9J1-							
	2765682		P-UB-10	2	3	CTC-3655556	54.64
STEERING RH							
B9J1-1450; R9J1-							
	2765681		P-UB-10	2	3	CTC-3655556	54.64
WHEEL LEAN							
B9J1-1450; R9J1-							
	2495299		P-UB-10	2	3-1/2	CTC-3769011	113.82
MODEL 16G							
ARTICULATION							
	1U1649		P-UB-10	2-1/2	4	CTC-7X2665	237.11
	9T3050		P-UB-10	2-1/2	4	CTC-1542501	229.70
BLADE							
	9T3106		P-UB-10	2-1/2	4	CTC-1542501	229.70
BLADE LIFT							
	3G5229		P-UB-10	2-1/2	4-1/4	CTC-7X2663	79.02
	8J5568		P-UB-10	2-1/2	4-1/4	CTC-7X2663	79.02
BLADE TIP							
	6J9731		P-UB-10	1-1/2	4	CTC-7X2738	139.94
	6J9732		P-UB-10	1-1/2	4	CTC-7X2738	139.94
	9T3198		P-UB-10	2	4	CTC-1328816	148.39
	9T8944		P-UB-10	2	4	CTC-1328816	148.39
CENTER SHIFT							
	3G5230		P-UB-10	2-1/2	4-1/4	CTC-7X2663	79.02
CONVEYOR SWING							
	9T3312		P-UB-10	2-1/2	4	CTC-1542501	229.70
DRAWBAR TIP							
	8J3761		P-UB-10	1-3/4	3	CTC-7X2791	141.74
LIFT							
	8J5827		P-UB-10	2-1/2	4-1/4	CTC-7X2663	79.02
LIFT LH							
	6J5844		P-UB-10	2-1/2	5	CTC-7X2675	198.81
LIFT RH							
	6J5843		P-UB-10	2-1/2	5	CTC-7X2675	198.81
RIPPER							
	1135264		P-UB-10	2-1/2	5	CTC-1361967	293.83
	3G1762		P-UB-10	2-1/2	5	CTC-1315106	232.77
	3G5189		P-UB-10	2-1/2	5	CTC-7X2658	269.30
SIDESHIFT							
	4T0340		P-UB-10	2-1/2	4	CTC-7X2665	237.11
	9T3206		P-UB-10	2-1/2	4	CTC-1542501	229.70

REPLACEMENT KITS FOR CATERPILLAR® EQUIPMENT

Motor Graders							
APPLICATION	CYL #	Misc-Parts, Instructions, etc.	CODE	ROD	BORE	KIT #	List \$
MODEL 16G							
STEERING							
	1U2704		P-UB-10	2	3-1/2	CTC-7X2792	140.42
STEERING LH							
	3G7599		P-UB-10	1-3/4	3	CTC-7X2791	141.74
	8J3612		P-UB-10	1-3/4	3	CTC-7X2791	141.74
	9T2854		P-UB-10	1-3/4	2-3/4	CTC-1539053	222.42
STEERING RH							
	3G7600		P-UB-10	1-3/4	3	CTC-7X2791	141.74
	8J8411		P-UB-10	1-3/4	3	CTC-7X2791	141.74
	9T2853		P-UB-10	1-3/4	2-3/4	CTC-1539053	222.42
	9T2853		P-UB-10	1-3/4	2-3/4	CTC-7X2820	126.58
TIP							
	4T0379		P-UB-10	2	4	CTC-1328816	148.39
WHEEL LEAN							
	1219244		P-UB-10	2-1/4	4	CTC-1361171	162.17
	3G4750		P-UB-10	1-3/4	4	CTC-7X2790	148.71
	8J3613		P-UB-10	1-3/4	4	CTC-1316108	173.81
	9T3492		P-UB-10	1-3/4	4	CTC-1316108	173.81
MODEL 16H							
ARTICULATION							
	6ZJ1-; ATS1-						
	9T3050	Head 1213397 or 1729981	P-UB-10	2-1/2	4	CTC-2341949	78.76
	9T3050	Head 6E4978	P-UB-10	2-1/2	4	CTC-2422548	92.22
BLADE LIFT							
	6ZJ1-; ATS1-						
	9T3106	Head 1213397	P-UB-10	2-1/2	4	CTC-2341949	78.76
	9T3106	Head 6E4978	P-UB-10	2-1/2	4	CTC-2422548	92.22
BLADE TIP							
	9T3198		P-UB-10	2	4	CTC-1328816	148.39
	6ZJ1-; ATS1-						
	9T8944		P-UB-10	2	4	CTC-2339205	68.83
CENTER SHIFT							
	6ZJ1-; ATS1-						
	9T3312	Head 1213397	P-UB-10	2-1/2	4	CTC-2341949	78.76
	9T3312	Head 6E4978	P-UB-10	2-1/2	4	CTC-2422548	92.22
CONVEYOR SWING							
	9T3312		P-UB-10	2-1/2	4	CTC-1542501	229.70
RIPPER							
	6ZJ1-; ATS1-						
	1135264	Head 1213395, 0.98 wide rod bearing	P-UB-10	2-1/2	5	CTC-2275347	150.12
	1135264	1.24" wide rod bearing	P-UB-10	2-1/2	5	CTC-2430384	129.73
SIDESHIFT							
	6ZJ1-; ATS1-						
	9T3206	Head 1213397 or 1729981	P-UB-10	2-1/2	4	CTC-2341949	78.76
	9T3206	Head 6E4978	P-UB-10	2-1/2	4	CTC-2422548	92.22
STEERING LH							
	6ZJ1-						
	9T2854		P-UB-10	1-3/4	2-3/4	CTC-2342595	222.42
	6ZJ1-; ATS1-						
	1652507		P-UB-10	1-3/4	2-3/4	CTC-1857035	179.31
STEERING RH							
	6ZJ1-						
	9T2853		P-UB-10	1-3/4	2-3/4	CTC-2342595	222.42
	6ZJ1-; ATS1-						
	1652506		P-UB-10	1-3/4	2-3/4	CTC-1857035	179.31

REPLACEMENT KITS FOR CATERPILLAR® EQUIPMENT

Motor Graders							
APPLICATION	CYL #	Misc-Parts, Instructions, etc.	CODE	ROD	BORE	KIT #	List \$
MODEL 16H							
WHEEL LEAN							
	1219244		P-UB-10	2-1/4	4	CTC-1361171	162.17
	9T3492		P-UB-10	1-3/4	4	CTC-1316108	173.81
	6ZJ1-; ATS1-						
	1219244		P-UB-10	2-1/4	4	CTC-4252108	144.18
MODEL 16M							
ARTICULATION							
	B9H1-722; R9H1-2908074		P-UB-10	2-1/2	4	CTC-2341949	78.76
	R9H1-3786610		P-UB-10	2-1/2	4	CTC-2341949	78.76
BLADE LIFT							
	B9H1-; R9H1-222						
	2707538		P-UB-10	2-1/2	4	CTC-2341949	78.76
	R9H223-3657416		P-UB-10	2-1/2	4	CTC-2341949	78.76
BLADE TIP							
	B9H1-; R9H1-9T8944		P-UB-10	2	4	CTC-2339205	68.83
CENTER SHIFT							
	B9H1-; R9H1-2621905		P-UB-10	2-1/2	4	CTC-2341949	78.76
RIPPER							
	B9H1-; R9H1-1135264		P-UB-10	2-1/2	5	CTC-2275347	150.12
	0.98 wide rod bearing						
	1135264	1.24" wide rod bearing	P-UB-10	2-1/2	5	CTC-2430384	129.73
SIDESHIFT							
	B9H1-; R9H1-2575083		P-UB-10	2-1/2	4	CTC-2341949	78.76
STEERING							
	B9H1-; R9H1-2673863		P-UB-10	2	3	CTC-3076273	59.57
WHEEL LEAN							
	B9H1-; R9H1-2893054		P-UB-10	2-1/4	4	CTC-4252108	144.18
MODEL 24H							
ARTICULATION							
	1170837		P-UB-10	3	4-3/4	CTC-1570288	261.25
	1433033		P-UB-10	3	5	CTC-1605784	115.91
BLADE							
	1170830		P-UB-10	2-1/4	4	CTC-1361171	162.17
	1170832		P-UB-10	3	5-1/4	CTC-3E3293	284.34
RIPPER							
	1137754		P-UB-10	2	4	CTC-1328816	148.39
STEERING							
	1170833		I-UB-10	2-1/2	3-1/2	CTC-3E3299	178.67
TIP							
	1435988	Rod Bearing width- 0.98"	P-UB-10	2-1/2	4-3/4	CTC-1361131	229.07
WHEEL LEAN							
	1170836	Rod Bearing width- 0.98"	P-UB-10	2-1/2	4-3/4	CTC-1361131	229.07
MODEL 112E							
STEERING							
	4J4115		P-UB-10	1-1/2	4	CTC-7X2738	139.94
MODEL 112F							
STEERING							
	4J4115		P-UB-10	1-1/2	4	CTC-7X2738	139.94

CATERPILLAR®

REPLACEMENT KITS FOR CATERPILLAR® EQUIPMENT

Motor Graders							
APPLICATION	CYL #	Misc-Parts, Instructions, etc.	CODE	ROD	BORE	KIT #	List \$
MODEL 120							
STEERING							
	4J4115		P-UB-10	1-1/2	4	CTC-7X2738	139.94
MODEL 120G							
ARTICULATION							
	8J8590		P-UB-10	1-3/4	3	CTC-7X2791	141.74
	9T2447		P-UB-10	1-3/4	3	CTC-7X2825	85.90
	9T8785		P-UB-10	1-3/4	3	CTC-7X2825	85.90
BACKHOE STICK/BLADE SHIFT							
	8J0028		P-UB-10	1-3/4	3	CTC-7X2791	141.74
	9T2483		P-UB-10	1-3/4	3	CTC-7X2825	85.90
BLADE							
	3G5225		P-UB-10	1-3/4	3	CTC-7X2791	141.74
	8J8589		P-UB-10	1-3/4	3	CTC-7X2791	141.74
	9T2471		P-UB-10	1-3/4	3	CTC-7X2825	85.90
BLADE LIFT							
	3G5225		P-UB-10	1-3/4	3	CTC-7X2791	141.74
BLADE RH							
	6J5843		P-UB-10	2-1/2	5	CTC-7X2675	198.81
BLADE TIP							
	6E1549		P-UB-10	1-1/2	2-3/4	CTC-1361599	163.14
	8J0024		P-UB-10	1-1/2	2-3/4	CTC-7X2749	94.50
	9J3466		P-UB-10	1-1/2	2-3/4	CTC-7X2749	94.50
	9T2461		P-UB-10	1-1/2	2-3/4	CTC-1361599	163.14
CENTER SHIFT							
	3G5226		P-UB-10	1-3/4	3	CTC-7X2791	141.74
	8J6367		P-UB-10	2	3-1/4	CTC-7X2767	108.65
	9T2374		P-UB-10	1-3/4	3	CTC-7X2825	85.90
CONVEYOR SWING							
	3G5226		P-UB-10	1-3/4	3	CTC-7X2791	141.74
	8J8777		P-UB-10	1-3/4	3	CTC-7X2791	141.74
	9T2374		P-UB-10	1-3/4	3	CTC-7X2825	85.90
PUMP							
	87V						
	8J6730					CTC-3G1708	258.09
SCARIFIER							
	3G1853		P-UB-10	1-3/4	3	CTC-7X2791	141.74
	8J7321		P-UB-10	1-1/2	3	CTC-7X2751	102.45
	9T2554		P-UB-10	1-3/4	3	CTC-7X2825	85.90
	9T6951		P-UB-10	1-3/4	3	CTC-7X2825	85.90
SIDESHIFT							
	1052094		P-UB-10	1-3/4	3	CTC-7X2825	85.90
	8J0028		P-UB-10	1-3/4	3	CTC-7X2791	141.74
	9T2483		P-UB-10	1-3/4	3	CTC-7X2825	85.90
STEERING LH							
	3G8070		P-UB-10	1-1/2	2-1/2	CTC-7X2739	90.45
	8J8820		P-UB-10	1-1/2	2-1/2	CTC-7X2739	90.45
	9T2395		P-UB-10	1-1/2	2-1/4	CTC-7X2826	65.19
STEERING RH							
	3G8069		P-UB-10	1-1/2	2-1/2	CTC-7X2739	90.45
	8J5538		P-UB-10	1-1/2	2-1/2	CTC-7X2739	90.45
	9T2393		P-UB-10	1-1/2	2-1/4	CTC-7X2826	65.19
WHEEL LEAN							
	1219242		P-UB-10	2	3-1/2	CTC-7X2783	164.74
	3G4752		P-UB-10	1-1/2	3-1/2	CTC-7X2752	152.63
	8J5539		P-UB-10	1-1/2	3-1/2	CTC-7X2752	152.63
	9T2520		P-UB-10	1-1/2	3-1/2	CTC-1327058	166.20

REPLACEMENT KITS FOR CATERPILLAR® EQUIPMENT

Motor Graders							
APPLICATION	CYL #	Misc-Parts, Instructions, etc.	CODE	ROD	BORE	KIT #	List \$
MODEL 120H							
ARTICULATION							
	6E1554		P-UB-10	1-3/4	3	CTC-7X2825	85.90
	6E4724		P-UB-10	2	3-1/2	CTC-7X2783	164.74
	9T8785		P-UB-10	1-3/4	3	CTC-7X2825	85.90
BLADE							
	1125575		P-UB-10	1-3/4	3	CTC-7X2825	85.90
	1198664		P-UB-10	2	3	CTC-7X2760	112.74
	1324926		P-UB-10	2	3	CTC-7X2760	112.74
BLADE TIP							
	6E1549		P-UB-10	1-1/2	2-3/4	CTC-1361599	163.14
CONVEYOR SWING							
	6E1754		P-UB-10	2	3	CTC-7X2760	112.74
SCARIFIER							
	9T2554		P-UB-10	1-3/4	3	CTC-7X2825	85.90
	9T6951		P-UB-10	1-3/4	3	CTC-7X2825	85.90
STEERING LH							
	9T2395		P-UB-10	1-1/2	2-1/4	CTC-7X2826	65.19
STEERING RH							
	9T2393		P-UB-10	1-1/2	2-1/4	CTC-7X2826	65.19
WHEEL LEAN							
	1219242		P-UB-10	2	3-1/2	CTC-7X2783	164.74
	9T2520		P-UB-10	1-1/2	3-1/2	CTC-1327058	166.20
MODEL 120M							
ARTICULATION							
	B9C1-UP; B9N148-UP; B9W1-UP; CBS1-UP; D9W1-UP; NJD1-UP; PJB1-UP; R9A1-UP; R9C1-UP; RMY1-UP						
	3163308		P-UB-10	1-3/4	3	CTC-3769017	62.45
	B9N1-147						
	2627758		P-UB-10	1-3/4	3	CTC-2275350	53.51
BLADE LIFT							
	B9C1000-UP; B9W1-UP; D9W1-UP; R9A1-UP; R9C1-UP						
	3351973		P-UB-10	2	3	CTC-2384462	71.73
	B9C1-715; B9N1-UP; B9W1-UP; D9W1-191; R9A1-UP; R9C1-UP						
	2707534		P-UB-10	2	3	CTC-2384462	71.73
	CBS1-UP; NJD1-UP; PJB1-UP; RMY1-UP						
	3261217		P-UB-10	2	3	CTC-2384462	71.73
BLADE TIP							
	B9C1-UP; B9N1-UP; B9W1-UP; CBS1-UP; D9W1-UP; NJD1-UP; PJB1-UP; R9A1-UP; R9C1-UP; RMY1-UP						
	1317191		P-UB-10	1-1/2	2-3/4	CTC-2339204	100.11
	PJB1-UP						
	3470206		P-UB-10	1-1/2	2-3/4	CTC-2339204	100.11
BULLDOZER							
	B9C1-UP; B9W209-UP; D9W1-UP; R9A1-UP; R9C1-UP						
	3149338		P-UB-10	1-3/4	3-1/2	CTC-3260503	256.33
CENTERSHIFT							
	B9C1-UP; B9N1-UP; B9W1-UP; CBS1-UP; D9W1-UP; NJD1-UP; PJB1-UP; R9A1-UP; R9C1-UP; RMY1-UP						
	2621908		P-UB-10	2	3	CTC-2384462	71.73
	PJB1-UP						
	3470203		P-UB-10	2	3	CTC-2384462	71.73
RIPPER							
	B9C1-UP; B9N1-UP; B9W1-UP; D9W1-UP						
	6E4724		P-UB-10	2	3-1/2	CTC-3769011	113.82
	B9C1-UP; B9N1-UP; B9W1-UP; D9W1-UP; R9A1-UP; R9C1-UP						
	1137754		P-UB-10	2	4	CTC-2339205	68.83
	B9C1-UP; B9W209-UP; D9W1-UP; R9A1-UP; R9C1-UP						
	3262227		P-UB-10	50 mm	110 mm	CTC-4173698	148.19

CATERPILLAR®

REPLACEMENT KITS FOR CATERPILLAR® EQUIPMENT

Motor Graders							
APPLICATION	CYL #	Misc-Parts, Instructions, etc.	CODE	ROD	BORE	KIT #	List \$
MODEL 120M							
SCARIFIER							
B9C1-UP; B9N1-UP; B9W1-UP; CBS1-UP; D9W1-UP; NJD1-UP; PJB1-UP; R9A1-UP; R9C1-UP; RMY1-UP							
	1652510		P-UB-10	1-3/4	3	CTC-3769017	62.45
SIDESHIFT							
B9C1-UP; B9N1-UP; B9W1-UP; CBS1-UP; D9W1-UP; NJD1-UP; PJB1-UP; R9A1-UP; R9C1-UP; RMY1-UP							
	2494116		P-UB-10	1-3/4	3	CTC-3769017	62.45
STEERING							
B9C1233-UP; R9A1-UP							
	3896062		P-UB-10	2	3	CTC-3076273	59.57
B9C1-UP; B9N1-UP; B9W1-UP; D9W1-UP; NJD1-UP; R9C1-UP							
	2625766		P-UB-10	2	3	CTC-3076273	59.57
B9C232-UP; B9N181-UP; R9A1-UP							
	2558715		P-UB-10	2	3	CTC-3076273	59.57
CBS1-UP; PJB1-UP; RMY1-UP							
	3382818		P-UB-10	2	3	CTC-3076273	59.57
WHEEL LEAN							
B9C232-UP; B9N181-UP; B9W1-UP; D9W1-UP; NJD1-UP; R9A1-UP; R9C1-UP							
	2495299		P-UB-10	2	3-1/2	CTC-3769011	113.82
CBS1-UP; PJB1-UP; RMY1-UP							
	3394488		P-UB-10	2	3-1/2	CTC-3769011	113.82
WORK TOOL LIFT							
B9C1-UP; B9N1-UP; B9W1-UP; D9W1-UP; R9A1-UP; R9C1-UP; RMY1-UP							
	2173501		P-UB-10	1-3/4	3-1/2	CTC-2401881	115.17
MODEL 120M2							
ARTICULATION							
M921-UP; M9C1-UP; M9H1-UP; R9N1-UP; R9W1-UP							
	3163308		P-UB-10	1-3/4	3	CTC-3769017	62.45
BLADE LIFT							
M921-UP; M9C1-UP; M9H1-UP; R9N1-UP; R9W1-UP							
	3351973		P-UB-10	2	3	CTC-2384462	71.73
BLADE TIP							
M921-UP; M9C1-UP; M9H1-UP; R9N1-UP; R9W1-UP							
	1317191		P-UB-10	1-1/2	2-3/4	CTC-2339204	100.11
BULLDOZER							
M9H1-UP							
	3149338		P-UB-10	1-3/4	3-1/2	CTC-3260503	256.33
CENTERSHIFT							
M921-UP; M9C1-UP; M9H1-UP; R9N1-UP; R9W1-UP							
	2621908		P-UB-10	2	3	CTC-2384462	71.73
LINK							
R9W1-UP							
	2773811		P-UB-10	1-3/4	3-1/2	CTC-2401881	115.17
RIPPER							
M9C1-UP; M9H1-UP; R9N1-UP; R9W1-UP							
	3262227		P-UB-10	50 mm	110 mm	CTC-4173698	148.19
SCARIFIER							
M9C1-UP; M9H1-UP; R9N1-UP; R9W1-UP							
	1652510		P-UB-10	1-3/4	3	CTC-3769017	62.45
SIDESHIFT							
M921-UP; M9C1-UP; M9H1-UP; R9N1-UP; R9W1-UP							
	2494116		P-UB-10	1-3/4	3	CTC-3769017	62.45
STEERING							
M92104-UP; M9C392-UP; R9N1-UP							
	3896062		P-UB-10	2	3	CTC-3076273	59.57
M921-UP; M9C1-UP; R9N1-UP							
	2558715		P-UB-10	2	3	CTC-3076273	59.57

REPLACEMENT KITS FOR CATERPILLAR® EQUIPMENT

Motor Graders							
APPLICATION	CYL #	Misc-Parts, Instructions, etc.	CODE	ROD	BORE	KIT #	List \$
MODEL 120M2							
STEERING							
M9H1-UP; R9W1-UP							
2625766			P-UB-10	2	3	CTC-3076273	59.57
M9H317-UP; R9W1-UP							
3844547			P-UB-10	2	3	CTC-3076273	59.57
WHEEL LEAN							
M921-UP; M9H1-UP; R9N1-UP; R9W1-UP							
2495299			P-UB-10	2	3-1/2	CTC-3769011	113.82
WORK TOOL LIFT							
M9C1-UP; M9H1-UP; R9N1-UP; R9W1-UP							
2173501			P-UB-10	1-3/4	3-1/2	CTC-2401881	115.17
MODEL 130G							
ARTICULATION							
8J0546			P-UB-10	1-3/4	3	CTC-7X2791	141.74
9T2453			P-UB-10	1-3/4	3	CTC-7X2825	85.90
9T8784			P-UB-10	1-3/4	3	CTC-7X2825	85.90
BACKHOE STICK/BLADE SHIFT							
8J0028			P-UB-10	1-3/4	3	CTC-7X2791	141.74
9T2483			P-UB-10	1-3/4	3	CTC-7X2825	85.90
BLADE							
3G5223			P-UB-10	2	3-1/4	CTC-7X2767	108.65
8J6380			P-UB-10	2	3-1/4	CTC-7X2767	108.65
9T2472			P-UB-10	2	3	CTC-7X2760	112.74
BLADE LIFT							
3G5223			P-UB-10	2	3-1/4	CTC-7X2767	108.65
9T2471			P-UB-10	1-3/4	3	CTC-7X2825	85.90
9T2472			P-UB-10	2	3	CTC-7X2753	103.74
BLADE TIP							
6E1549			P-UB-10	1-1/2	2-3/4	CTC-1361599	163.14
8J0024			P-UB-10	1-1/2	2-3/4	CTC-7X2749	94.50
9J3466			P-UB-10	1-1/2	2-3/4	CTC-7X2749	94.50
9T2461			P-UB-10	1-1/2	2-3/4	CTC-1361599	163.14
CENTER SHIFT							
3G5224			P-UB-10	2	3-1/4	CTC-7X2767	108.65
8J6367			P-UB-10	2	3-1/4	CTC-7X2767	108.65
9T2549			P-UB-10	2	3	CTC-7X2760	112.74
CONVEYOR SWING							
3G5224			P-UB-10	2	3-1/4	CTC-7X2767	108.65
8J6367			P-UB-10	2	3-1/4	CTC-7X2767	108.65
9T2549			P-UB-10	2	3	CTC-7X2760	112.74
LIFT							
9T2471			P-UB-10	1-3/4	3	CTC-7X2825	85.90
PUMP							
61M; 72V; 74V							
8J0498						CTC-3G1708	258.09
RIPPER							
1137754			P-UB-10	2	4	CTC-1328816	148.39
8J1658			P-UB-10	2	4	CTC-1328816	148.39
SCARIFIER							
3G1853			P-UB-10	1-3/4	3	CTC-7X2791	141.74
8J7321			P-UB-10	1-1/2	3	CTC-7X2751	102.45
9T2554			P-UB-10	1-3/4	3	CTC-7X2825	85.90
9T6951			P-UB-10	1-3/4	3	CTC-7X2825	85.90

CATERPILLAR®

REPLACEMENT KITS FOR CATERPILLAR® EQUIPMENT

Motor Graders							
APPLICATION	CYL #	Misc-Parts, Instructions, etc.	CODE	ROD	BORE	KIT #	List \$
MODEL 130G							
SIDESHIFT							
	1052094		P-UB-10	1-3/4	3	CTC-7X2825	85.90
	8J0028		P-UB-10	1-3/4	3	CTC-7X2791	141.74
	9T2483		P-UB-10	1-3/4	3	CTC-7X2825	85.90
STEERING LH							
	3G8070		P-UB-10	1-1/2	2-1/2	CTC-7X2739	90.45
	8J8820		P-UB-10	1-1/2	2-1/2	CTC-7X2739	90.45
	9T2395		P-UB-10	1-1/2	2-1/4	CTC-7X2826	65.19
STEERING RH							
	3G8069		P-UB-10	1-1/2	2-1/2	CTC-7X2739	90.45
	8J5538		P-UB-10	1-1/2	2-1/2	CTC-7X2739	90.45
	9T2393		P-UB-10	1-1/2	2-1/4	CTC-7X2826	65.19
WHEEL LEAN							
	1219242		P-UB-10	2	3-1/2	CTC-7X2783	164.74
	3G4752		P-UB-10	1-1/2	3-1/2	CTC-7X2752	152.63
	8J5539		P-UB-10	1-1/2	3-1/2	CTC-7X2752	152.63
	9T2520		P-UB-10	1-1/2	3-1/2	CTC-1327058	166.20
MODEL 135H							
ARTICULATION							
	6E1554		P-UB-10	1-3/4	3	CTC-7X2825	85.90
	6E4724		P-UB-10	2	3-1/2	CTC-7X2783	164.74
	9T8785		P-UB-10	1-3/4	3	CTC-7X2825	85.90
BLADE							
	1324926		P-UB-10	2	3	CTC-7X2760	112.74
BLADE TIP							
	6E1549		P-UB-10	1-1/2	2-3/4	CTC-1361599	163.14
CONVEYOR SWING							
	6E1754		P-UB-10	2	3	CTC-7X2760	112.74
SCARIFIER							
	9T2554		P-UB-10	1-3/4	3	CTC-7X2825	85.90
	9T6951		P-UB-10	1-3/4	3	CTC-7X2825	85.90
SIDESHIFT							
	1125575		P-UB-10	1-3/4	3	CTC-7X2825	85.90
STEERING LH							
	9T2395		P-UB-10	1-1/2	2-1/4	CTC-7X2826	65.19
STEERING RH							
	9T2393		P-UB-10	1-1/2	2-1/4	CTC-7X2826	65.19
WHEEL LEAN							
	1219242		P-UB-10	2	3-1/2	CTC-7X2783	164.74
	9T2520		P-UB-10	1-1/2	3-1/2	CTC-1327058	166.20
MODEL 140G							
ARTICULATION							
	8J0546		P-UB-10	1-3/4	3	CTC-7X2791	141.74
	9T2453		P-UB-10	1-3/4	3	CTC-7X2825	85.90
	9T8784		P-UB-10	1-3/4	3	CTC-7X2825	85.90
BACKHOE STICK/BLADE SHIFT							
	8J0028		P-UB-10	1-3/4	3	CTC-7X2791	141.74
BLADE							
	3G5223		P-UB-10	2	3-1/4	CTC-7X2767	108.65
	8J6380		P-UB-10	2	3-1/4	CTC-7X2767	108.65
	9T2472		P-UB-10	2	3	CTC-7X2760	112.74
BLADE LIFT							
	9T2472		P-UB-10	2	3	CTC-7X2753	103.74

REPLACEMENT KITS FOR CATERPILLAR® EQUIPMENT

Motor Graders							
APPLICATION	CYL #	Misc-Parts, Instructions, etc.	CODE	ROD	BORE	KIT #	List \$
MODEL 140G							
BLADE TIP							
	6E1549		P-UB-10	1-1/2	2-3/4	CTC-1361599	163.14
	8J0024		P-UB-10	1-1/2	2-3/4	CTC-7X2749	94.50
	9J3466		P-UB-10	1-1/2	2-3/4	CTC-7X2749	94.50
	9T2461		P-UB-10	1-1/2	2-3/4	CTC-1361599	163.14
CENTER SHIFT							
	3G5224		P-UB-10	2	3-1/4	CTC-7X2767	108.65
	8J6367		P-UB-10	2	3-1/4	CTC-7X2767	108.65
	9T2549		P-UB-10	2	3	CTC-7X2760	112.74
CONVEYOR SWING							
	3G5224		P-UB-10	2	3-1/4	CTC-7X2767	108.65
	8J6367		P-UB-10	2	3-1/4	CTC-7X2767	108.65
	9T2549		P-UB-10	2	3	CTC-7X2760	112.74
PUMP							
	61M; 72V; 74V						
	8J0498					CTC-3G1708	258.09
RIPPER							
	1137754		P-UB-10	2	4	CTC-1328816	148.39
	8J1658		P-UB-10	2	4	CTC-1328816	148.39
RIPPER LIFT							
	3G5189		P-UB-10	2-1/2	5	CTC-7X2658	269.30
SCARIFIER							
	3G1853		P-UB-10	1-3/4	3	CTC-7X2791	141.74
	8J7321		P-UB-10	1-1/2	3	CTC-7X2751	102.45
	9T2554		P-UB-10	1-3/4	3	CTC-7X2825	85.90
	9T6951		P-UB-10	1-3/4	3	CTC-7X2825	85.90
SIDESHIFT							
	1052094		P-UB-10	1-3/4	3	CTC-7X2825	85.90
	8J0028		P-UB-10	1-3/4	3	CTC-7X2791	141.74
	9T2483		P-UB-10	1-3/4	3	CTC-7X2825	85.90
STEERING LH							
	3G8070		P-UB-10	1-1/2	2-1/2	CTC-7X2739	90.45
	8J8820		P-UB-10	1-1/2	2-1/2	CTC-7X2739	90.45
	9T2395		P-UB-10	1-1/2	2-1/4	CTC-7X2826	65.19
STEERING RH							
	3G8069		P-UB-10	1-1/2	2-1/2	CTC-7X2739	90.45
	8J5538		P-UB-10	1-1/2	2-1/2	CTC-7X2739	90.45
	9T2393		P-UB-10	1-1/2	2-1/4	CTC-7X2826	65.19
WHEEL LEAN							
	1219242		P-UB-10	2	3-1/2	CTC-7X2783	164.74
	3G4752		P-UB-10	1-1/2	3-1/2	CTC-7X2752	152.63
	4J4115		P-UB-10	1-1/2	4	CTC-7X2738	139.94
	8J5539		P-UB-10	1-1/2	3-1/2	CTC-7X2752	152.63
	9T2520		P-UB-10	1-1/2	3-1/2	CTC-1327058	166.20
MODEL 140H, 143H							
ARTICULATION							
	1376790		P-UB-10	1-7/8	3-1/4	CTC-3E3297	157.69
	1376792		P-UB-10	1-7/8	3-1/4	CTC-3E3297	157.69
	6E1560		P-UB-10	1-3/4	3	CTC-7X2825	85.90
	9T8784		P-UB-10	1-3/4	3	CTC-7X2825	85.90
BLADE							
	1324929		P-UB-10	2	3	CTC-7X2760	112.74
BLADE TIP							
	6E1549		P-UB-10	1-1/2	2-3/4	CTC-1361599	163.14
CONVEYOR SWING							
	6E1343		P-UB-10	2	3	CTC-7X2760	112.74

REPLACEMENT KITS FOR CATERPILLAR® EQUIPMENT

Motor Graders							
APPLICATION	CYL #	Misc-Parts, Instructions, etc.	CODE	ROD	BORE	KIT #	List \$
MODEL 140H, 143H							
RIPPER							
	1137754		P-UB-10	2	4	CTC-1328816	148.39
SCARIFIER							
	9T2554		P-UB-10	1-3/4	3	CTC-7X2825	85.90
	9T6951		P-UB-10	1-3/4	3	CTC-7X2825	85.90
SIDESHIFT							
	1125575		P-UB-10	1-3/4	3	CTC-7X2825	85.90
STEERING LH							
	9T2395		P-UB-10	1-1/2	2-1/4	CTC-7X2826	65.19
STEERING RH							
	9T2393		P-UB-10	1-1/2	2-1/4	CTC-7X2826	65.19
WHEEL LEAN							
	1219242		P-UB-10	2	3-1/2	CTC-7X2783	164.74
	9T2520		P-UB-10	1-1/2	3-1/2	CTC-1327058	166.20
MODEL 140M							
ARTICULATION							
	B9D1-UP; B9G1-UP; B9M1-UP; D9G1-UP						
	2470096		P-UB-10	1-7/8	3-1/4	CTC-2465926	70.71
BLADE LIFT							
	B9D1-UP; B9G1-UP; B9M1-UP; D9G1-UP						
	2621900		P-UB-10	2	3	CTC-2384462	71.73
	B9D3500-UP; B9G1-UP; B9M1-UP; D9G1300-UP						
	3351974		P-UB-10	2	3	CTC-2384462	71.73
BLADE TIP							
	B9D1-UP; B9G1-UP; B9M1-UP; D9G1-UP						
	1317191		P-UB-10	1-1/2	2-3/4	CTC-2339204	100.11
BULLDOZER							
	B9D1-UP; D9G1-UP						
	3149338		P-UB-10	1-3/4	3-1/2	CTC-3260503	256.33
CENTERSHIFT							
	B9D1-UP; B9G1-UP; B9M1-UP; D9G1-UP						
	2621907		P-UB-10	2	3	CTC-2384462	71.73
LINK							
	B9G1-UP; B9M1-UP						
	2773811		P-UB-10	1-3/4	3-1/2	CTC-2401881	115.17
MAST							
	B9G1-UP; B9M1-UP						
	2558000		GK-I-U-12	2, 3	2-1/2, 3-1/2	CTC-2599096	308.50
RIPPER							
	B9D1-UP; B9G1-UP; B9M1-UP						
	3262227		P-UB-10	50 mm	110 mm	CTC-4173698	148.19
	B9D1-UP; B9G1-UP; B9M1-UP; D9G1-UP						
	1137754		P-UB-10	2	4	CTC-2339205	68.83
SCARIFIER							
	B9D1-UP; B9G1-UP; B9M1-UP; D9G1-UP						
	1652510		P-UB-10	1-3/4	3	CTC-3769017	62.45
SIDESHIFT							
	B9D1-UP; B9G1-UP; B9M1-UP; D9G1-UP						
	2494116		P-UB-10	1-3/4	3	CTC-3769017	62.45
SNOW WING							
	B9G1-UP; B9M1-UP						
	2773836		P-UB-10	1-3/4	3	CTC-2402016	66.44
STEERING							
	B9D1488-UP; B9M551-UP						
	2558715		P-UB-10	2	3	CTC-3076273	59.57

REPLACEMENT KITS FOR CATERPILLAR® EQUIPMENT

Motor Graders							
APPLICATION	CYL #	Misc-Parts, Instructions, etc.	CODE	ROD	BORE	KIT #	List \$
MODEL 140M							
STEERING							
B9D1-UP; B9G1-UP; B9M1-UP; D9G1-UP							
2625766			P-UB-10	2	3	CTC-3076273	59.57
B9D4519-UP							
3896062			P-UB-10	2	3	CTC-3076273	59.57
D9G1481-UP							
3844547			P-UB-10	2	3	CTC-3076273	59.57
WHEEL LEAN							
B9D1488-UP; B9G1-UP; B9M551-UP; D9G1-UP							
2495299			P-UB-10	2	3-1/2	CTC-3769011	113.82
WORK TOOL LIFT							
B9D1-UP; B9G1-UP; B9M1-UP; D9G1-UP							
2173501			P-UB-10	1-3/4	3-1/2	CTC-2401881	115.17
MODEL 140M2							
ARTICULATION							
M9D1-UP; M9J1-UP; R9G1-UP; R9M1-UP							
2470096			P-UB-10	1-7/8	3-1/4	CTC-2465926	70.71
BLADE LIFT							
M9D1-UP; M9J1-UP; R9G1-UP; R9M1-UP							
3351974			P-UB-10	2	3	CTC-2384462	71.73
BLADE TIP							
M9D1-UP; M9J1-UP; R9G1-UP; R9M1-UP							
1317191			P-UB-10	1-1/2	2-3/4	CTC-2339204	100.11
BULLDOZER							
M9D1-UP; M9J1-UP; R9G1-UP; R9M1-UP							
3149338			P-UB-10	1-3/4	3-1/2	CTC-3260503	256.33
CENTERSHIFT							
M9D1-UP; M9J1-UP; R9G1-UP; R9M1-UP							
2621907			P-UB-10	2	3	CTC-2384462	71.73
MAST							
R9G1-UP; R9M1-UP							
2558000			GK-I-U-12	2, 3	2-1/2, 3-1/2	CTC-2599096	308.50
RIPPER							
M9D1-UP; M9J1-UP; R9G1-UP; R9M1-UP							
3262227			P-UB-10	50 mm	110 mm	CTC-4173698	148.19
SCARIFIER							
M9D1-UP; M9J1-UP; R9G1-UP; R9M1-UP							
1652510			P-UB-10	1-3/4	3	CTC-3769017	62.45
SIDESHIFT							
M9D1-UP; M9J1-UP; R9G1-UP; R9M1-UP							
2494116			P-UB-10	1-3/4	3	CTC-3769017	62.45
STEERING							
M9D1695-UP; R9M1-UP							
3896062			P-UB-10	2	3	CTC-3076273	59.57
M9D1-UP; R9M1-UP							
2558715			P-UB-10	2	3	CTC-3076273	59.57
M9J1-UP; R9G1-UP							
2625766			P-UB-10	2	3	CTC-3076273	59.57
M9J845-UP; R9G1-UP							
3844547			P-UB-10	2	3	CTC-3076273	59.57
WHEEL LEAN							
M9D1-UP; M9J1-UP; R9G1-UP; R9M1-UP							
2495299			P-UB-10	2	3-1/2	CTC-3769011	113.82
WORK TOOL LIFT							
M9D1-UP; M9J1-UP; R9G1-UP; R9M1-UP							
2173501			P-UB-10	1-3/4	3-1/2	CTC-2401881	115.17

CATERPILLAR®

REPLACEMENT KITS FOR CATERPILLAR® EQUIPMENT

Motor Graders							
APPLICATION	CYL #	Misc-Parts, Instructions, etc.	CODE	ROD	BORE	KIT #	List \$
MODEL 140M3							
ARTICULATION							
	N9D1-UP; N9G1-UP; N9J1-UP; N9M1-UP						
	2470096		P-UB-10	1-7/8	3-1/4	CTC-2465926	70.71
BLADE LIFT							
	N9D1-UP; N9G1-UP; N9J1-UP; N9M1-UP						
	3351974		P-UB-10	2	3	CTC-2384462	71.73
BLADE TIP							
	N9D1-UP; N9G1-UP; N9J1-UP; N9M1-UP						
	1317191		P-UB-10	1-1/2	2-3/4	CTC-2339204	100.11
CENTERSHIFT							
	N9D1-UP; N9G1-UP; N9J1-UP; N9M1-UP						
	2621907		P-UB-10	2	3	CTC-2384462	71.73
RIPPER							
	N9D1-UP; N9G1-UP; N9J1-UP; N9M1-UP						
	3262227		P-UB-10	50 mm	110 mm	CTC-4173698	148.19
SCARIFIER							
	N9D1-UP; N9G1-UP; N9J1-UP; N9M1-UP						
	1652510		P-UB-10	1-3/4	3	CTC-3769017	62.45
SIDESHIFT							
	N9D1-UP; N9G1-UP; N9J1-UP; N9M1-UP						
	2494116		P-UB-10	1-3/4	3	CTC-3769017	62.45
	N9G1-UP; N9M1-UP						
	5096993		P-UB-10	1-3/4	3	CTC-SK100214	111.68
STEERING							
	N9D1-UP; N9M1-UP						
	3896062		P-UB-10	2	3	CTC-4710161	140.76
	N9G1-UP; N9J1-UP						
	3844547		P-UB-10	2	3	CTC-4710161	140.76
WHEEL LEAN							
	N9D1-UP; N9G1-UP; N9J1-UP; N9M1-UP						
	2495299		P-UB-10	2	3-1/2	CTC-3769011	113.82
WORK TOOL SNOW WING							
	N9G1-UP; N9M1-UP						
	2773836		P-UB-10	1-3/4	3	CTC-2402016	66.44
MODEL 160H, 163H							
ARTICULATION							
	1376790		P-UB-10	1-7/8	3-1/4	CTC-3E3297	157.69
	1376792		P-UB-10	1-7/8	3-1/4	CTC-3E3297	157.69
	6E1560		P-UB-10	1-3/4	3	CTC-7X2825	85.90
	9T8784		P-UB-10	1-3/4	3	CTC-7X2825	85.90
BLADE							
	1324929		P-UB-10	2	3	CTC-7X2760	112.74
BLADE TIP							
	6E1549		P-UB-10	1-1/2	2-3/4	CTC-1361599	163.14
CONVEYOR SWING							
	6E1343		P-UB-10	2	3	CTC-7X2760	112.74
RIPPER							
	1137754		P-UB-10	2	4	CTC-1328816	148.39
SCARIFIER							
	9T2554		P-UB-10	1-3/4	3	CTC-7X2825	85.90
	9T6951		P-UB-10	1-3/4	3	CTC-7X2825	85.90
SIDESHIFT							
	1125575		P-UB-10	1-3/4	3	CTC-7X2825	85.90
STEERING LH							
	9T2395		P-UB-10	1-1/2	2-1/4	CTC-7X2826	65.19

REPLACEMENT KITS FOR CATERPILLAR® EQUIPMENT

Motor Graders							
APPLICATION	CYL #	Misc-Parts, Instructions, etc.	CODE	ROD	BORE	KIT #	List \$
MODEL 160H, 163H							
STEERING RH							
	9T2393		P-UB-10	1-1/2	2-1/4	CTC-7X2826	65.19
WHEEL LEAN							
	1219242		P-UB-10	2	3-1/2	CTC-7X2783	164.74
	9T2520		P-UB-10	1-1/2	3-1/2	CTC-1327058	166.20
Off-Highway Trucks							
APPLICATION	CYL #	Misc-Parts, Instructions, etc.	CODE	ROD	BORE	KIT #	List \$
MODEL 768C							
HOIST							
	9J4149		I-SP-10	4,6-1/2	5-3/4	CTC-8T4772	503.20
STEERING							
			P-UB-10	2-3/8	3-3/4	CTC-2578422	84.60
			P-UB-10	2	3	CTC-2937596	64.06
SUSPENSION							
	1162836		P-U-3	7	8-1/2	CTC-1417296	437.25
SUSPENSION FRONT							
	79S1; 02X1-						
			P-UB-3	7	8	CTC-1137475	731.61
SUSPENSION REAR							
			P-U-3	7	8-1/2	CTC-2959886	439.77
	5J6572		I-SP-1	7	8-1/2	CTC-5J6572K	363.92
MODEL 769C							
HOIST							
	4T4168		I-SP-10	4,6-1/2	5-3/4	CTC-8T4772	503.20
	9J4149		I-SP-10	4,6-1/2	5-3/4	CTC-8T4772	503.20
STEERING							
			P-UB-10	2-3/8	3-3/4	CTC-2578422	84.60
			P-UB-10	2	3	CTC-2937596	64.06
SUSPENSION							
	1162836		P-U-3	7	8-1/2	CTC-1417296	437.25
SUSPENSION FRONT							
			P-UB-3	7	8	CTC-2950148	1048.73
	01X2920-; 3BJ1-; 5TR; 6JR; 5SS; 6YS; 9XS; BCA; BBB						
			P-UB-3	7	8	CTC-1137475	731.61
SUSPENSION REAR							
			P-U-3	7	8-1/2	CTC-2959886	439.77
	5J6572		I-SP-1	7	8-1/2	CTC-5J6572K	363.92
	1X1-1X3271						
	3G0688		I-SP-1	7	8-1/2	CTC-5J6572K	363.92
	1X3272-						
	3G0688		I-SP-1	7	8-1/2	CTC-3G0688K	363.92
MODEL 769D							
HOIST							
	4T4168		I-SP-10	4,6-1/2	5-3/4	CTC-8T4772	503.20
	9J4149		I-SP-10	4,6-1/2	5-3/4	CTC-8T4772	503.20
STEERING							
			P-UB-10	2	3	CTC-2937596	64.06
	1100532		P-UB-10	2	3	CTC-7X2760	112.74
	9J1287		P-UB-10	2-3/8	3-3/4	CTC-7X2808	129.01
SUSPENSION							
	1162836		P-U-3	7	8-1/2	CTC-1417296	437.25
SUSPENSION FRONT							
	01X2920-; 3BJ1-; 5TR; 6JR; 5SS; 6YS; 9XS; BCA; BBB						
			P-UB-3	7	8	CTC-1137475	731.61
SUSPENSION REAR							
			P-U-3	7	8-1/2	CTC-2959886	439.77

CATERPILLAR®

REPLACEMENT KITS FOR CATERPILLAR® EQUIPMENT

Off-Highway Trucks							
APPLICATION	CYL #	Misc-Parts, Instructions, etc.	CODE	ROD	BORE	KIT #	List \$
MODEL 769D							
UNSPECIFIED APPLICATION							
	1303921		P-UB-3	7	8	CTC-1137475	731.61
MODEL 770							
STEERING							
			P-UB-10	2	3	CTC-2937596	64.06
SUSPENSION REAR							
	BZZ1-UP						
	3945681		P-UB-1	7	8-1/2	CTC-SK100097	465.11
MODEL 771C							
HOIST							
	4T4168		I-SP-10	4,6-1/2	5-3/4	CTC-8T4772	503.20
	9J4149		I-SP-10	4,6-1/2	5-3/4	CTC-8T4772	503.20
STEERING							
			P-UB-10	2	3	CTC-2937596	64.06
	9J1287		P-UB-10	2-3/8	3-3/4	CTC-7X2808	129.01
SUSPENSION							
	1162836		P-U-3	7	8-1/2	CTC-1417296	437.25
SUSPENSION FRONT							
			P-UB-3	7	8	CTC-2950148	1048.73
	01X2920-; 3BJ1-; 5TR; 6JR; 5SS; 6YS; 9XS; BCA; BBB						
			P-UB-3	7	8	CTC-1137475	731.61
SUSPENSION REAR							
			P-U-3	7	8-1/2	CTC-2959886	439.77
UNSPECIFIED APPLICATION							
	9J5476		P-UB-3	7	8	CTC-1137475	731.61
MODEL 771D							
HOIST							
	4T4168		I-SP-10	4,6-1/2	5-3/4	CTC-8T4772	503.20
	9J4149		I-SP-10	4,6-1/2	5-3/4	CTC-8T4772	503.20
STEERING							
			P-UB-10	2	3	CTC-2937596	64.06
	1100532		P-UB-10	2	3	CTC-7X2760	112.74
	9J1287		P-UB-10	2-3/8	3-3/4	CTC-7X2808	129.01
SUSPENSION							
	1162836		P-U-3	7	8-1/2	CTC-1417296	437.25
SUSPENSION FRONT							
	01X2920-; 3BJ1-; 5TR; 6JR; 5SS; 6YS; 9XS; BCA; BBB						
			P-UB-3	7	8	CTC-1137475	731.61
SUSPENSION REAR							
			P-U-3	7	8-1/2	CTC-2959886	439.77
MODEL 772B							
DOOR							
	3G4640		P-UB-10	2-1/2	6	CTC-7X2669	345.57
	9J8157		P-UB-10	2-1/2	6	CTC-7X2836	238.35
HOIST							
	9J2017		I-SP-10	5,7-1/2	8-1/4	CTC-8T9042	728.16
	9T3122		I-SP-10	5,7-1/2	8-1/4	CTC-8T9042	728.16
STEERING							
			P-UB-10	2-3/8	4	CTC-2418925	90.35
			P-UB-10	2	3	CTC-2937596	64.06
SUSPENSION							
	8J2322		P-UB-3	7	8	CTC-1137475	731.61
SUSPENSION FRONT							
			P-UB-3	7	8	CTC-2950148	1048.73
	1U4777		P-UB-3	7	8	CTC-1137478	1048.73
	7J3480		P-UB-3	7	8	CTC-1137475	731.61

REPLACEMENT KITS FOR CATERPILLAR® EQUIPMENT

Off-Highway Trucks							
APPLICATION	CYL #	Misc-Parts, Instructions, etc.	CODE	ROD	BORE	KIT #	List \$
MODEL 772B							
SUSPENSION FRONT							
	64W168-		P-UB-3	7	8	CTC-1137478	1048.73
SUSPENSION REAR							
			P-U-3	7	8-1/2	CTC-2959886	439.77
UNSPECIFIED APPLICATION							
	1163092		P-UB-3	7	8	CTC-1137478	1048.73
MODEL 772E							
SUSPENSION REAR							
			P-U-3	7	8-1/2	CTC-2959886	439.77
MODEL 773B							
DOOR							
	3G4640		P-UB-10	2-1/2	6	CTC-7X2669	345.57
HOIST							
			I-SP-10	5,7-1/2	6-1/2,8-1/4	CTC-3126388	768.45
	9J2017		I-SP-10	5,7-1/2	8-1/4	CTC-8T9042	728.16
	9T3122		I-SP-10	5,7-1/2	8-1/4	CTC-8T9042	728.16
STEERING RH							
	63G1-; 63W1-						
	7J7686		P-UB-10	2-3/8	4	CTC-8T1389	76.19
SUSPENSION							
	1162837		P-U-3	7	8-1/2	CTC-1417296	437.25
SUSPENSION FRONT							
			P-UB-3	7	8	CTC-2950148	1048.73
	63W1271-; 7XJ1-; 6KR; 7ER; 7CS; 8AS						
			P-UB-3	7	8	CTC-1137478	1048.73
SUSPENSION REAR							
	9T6082		P-U-3	7	8-1/2	CTC-1417296	437.25
	63G; 63W1-63W1724						
	8J9332		I-SP-1	7	8-1/2	CTC-5J6572K	363.92
	63W1725-						
	8J9332		I-SP-1	7	8-1/2	CTC-3G0688K	363.92
UNSPECIFIED APPLICATION							
	1163092		P-UB-3	7	8	CTC-1137478	1048.73
MODEL 773D							
HOIST							
			I-SP-10	5,7-1/2	6-1/2,8-1/4	CTC-3126388	768.45
	1455155		I-SP-10	5,7-1/2	8-1/4	CTC-8T9042	728.16
	9J2017		I-SP-10	5,7-1/2	8-1/4	CTC-8T9042	728.16
STEERING RH							
	7J7686		P-UB-10	2-3/8	4	CTC-8T1389	76.19
SUSPENSION							
	1162837		P-U-3	7	8-1/2	CTC-1417296	437.25
SUSPENSION FRONT							
			P-UB-3	7	8	CTC-2950148	1048.73
	1163092		P-UB-3	7	8	CTC-1137478	1048.73
	1U4777		P-UB-3	7	8	CTC-1137478	1048.73
	63W1271-; 7XJ1-; 6KR; 7ER; 7CS; 8AS						
			P-UB-3	7	8	CTC-1137478	1048.73
SUSPENSION REAR							
	9T6082		P-U-3	7	8-1/2	CTC-1417296	437.25
MODEL 773E							
HOIST							
			I-SP-10	5,7-1/2	6-1/2,8-1/4	CTC-3126388	768.45
STEERING							
			I-UB-10	2-1/2	3-1/2	CTC-2949583	112.25

CATERPILLAR®

REPLACEMENT KITS FOR CATERPILLAR® EQUIPMENT

Off-Highway Trucks							
APPLICATION	CYL #	Misc-Parts, Instructions, etc.	CODE	ROD	BORE	KIT #	List \$
MODEL 773E							
SUSPENSION REAR							
			P-UB-1	7	8-1/2	CTC-2976848	455.39
MODEL 773F							
HOIST							
	EED1-400						
	1455155		I-U-10	5, 7-1/2	6-1/2, 8-1/4	CTC-4494753	608.91
	EED401-862						
	2960738		I-SP-10	5, 7-1/2	6-1/2, 8-1/4	CTC-SK100020	677.21
	EED863-UP						
	2960738		I-U-10	5, 7-1/2	6-1/2, 8-1/4	CTC-4494753	608.91
	EXD1-UP						
	2960738		I-U-10	5, 7-1/2	6-1/2, 8-1/4	CTC-4494753	608.91
STEERING							
	EED1-UP; EXD1-UP						
	1053357		I-UB-10	2-1/2	3-1/2	CTC-2949583	112.25
SUSPENSION FRONT							
	EED1-400						
	2645784		P-U-1	7	8	CTC-2976847	680.82
	EED401-UP; EXC1-UP						
	2960736		P-U-1	7	8	CTC-2976847	680.82
SUSPENSION REAR							
			P-UB-1	7	8-1/2	CTC-2976848	455.39
	EED1-400						
	2645786		P-UB-1	7	8-1/2	CTC-2976848	455.39
	EED401-UP; EXD1-UP						
	2960737		P-UB-1	7	8-1/2	CTC-2976848	455.39
MODEL 773G							
HOIST							
	JWS1-UP; MWH1-UP						
	1455155		I-U-10	5, 7-1/2	6-1/2, 8-1/4	CTC-3367372	694.93
	JWS1-UP; MWH1-UP; T5S1-UP; T5T1-UP						
	2960738		I-U-10	5, 7-1/2	6-1/2, 8-1/4	CTC-3367372	694.93
STEERING							
	JWS1-UP; MWH1-UP; T5S1-UP; T5T1-UP						
	1053357		I-UB-10	2-1/2	3-1/2	CTC-2949583	112.25
	3348695		P-UB-10	2-1/2	3-1/2	CTC-SK100061	135.83
SUSPENSION FRONT							
	JWS1-UP; MWH1-UP; T5S1-UP; T5T1-UP						
	3344225		P-U-1	7	8	CTC-SK100060	1097.59
SUSPENSION REAR							
	JWS1-UP; MWH1-UP; T5S1-UP; T5T1-UP						
	3344228		P-UB-1	7	8-1/2	CTC-3626460	383.23
MODEL 775							
HOIST							
	9J2017		I-SP-10	5,7-1/2	8-1/4	CTC-8T9042	728.16
	9T3122		I-SP-10	5,7-1/2	8-1/4	CTC-8T9042	728.16
STEERING RH							
	7J7686		P-UB-10	2-3/8	4	CTC-8T1389	76.19
SUSPENSION							
	1162837		P-U-3	7	8-1/2	CTC-1417296	437.25
SUSPENSION REAR							
	9T6082		P-U-3	7	8-1/2	CTC-1417296	437.25
UNSPECIFIED APPLICATION							
	1163092		P-UB-3	7	8	CTC-1137478	1048.73
	1U4777		P-UB-3	7	8	CTC-1137478	1048.73

REPLACEMENT KITS FOR CATERPILLAR® EQUIPMENT

Off-Highway Trucks							
APPLICATION	CYL #	Misc-Parts, Instructions, etc.	CODE	ROD	BORE	KIT #	List \$
MODEL 775B							
HOIST							
			I-SP-10	5,7-1/2	6-1/2,8-1/4	CTC-3126388	768.45
SUSPENSION							
	1U4777		P-UB-3	7	8	CTC-1137478	1048.73
SUSPENSION FRONT							
			P-UB-3	7	8	CTC-2950148	1048.73
	63W1271-; 7XJ1-; 6KR; 7ER; 7CS; 8AS						
			P-UB-3	7	8	CTC-1137478	1048.73
SUSPENSION REAR							
			P-U-3	7	8-1/2	CTC-2959886	439.77
MODEL 775D							
HOIST							
			I-SP-10	5,7-1/2	6-1/2,8-1/4	CTC-3126388	768.45
	1455155		I-SP-10	5,7-1/2	8-1/4	CTC-8T9042	728.16
	9J2017		I-SP-10	5,7-1/2	8-1/4	CTC-8T9042	728.16
	9T3122		I-SP-10	5,7-1/2	8-1/4	CTC-8T9042	728.16
STEERING RH							
	7J7686		P-UB-10	2-3/8	4	CTC-8T1389	76.19
SUSPENSION							
	1162837		P-U-3	7	8-1/2	CTC-1417296	437.25
SUSPENSION FRONT							
			P-UB-3	7	8	CTC-2950148	1048.73
	63W1271-; 7XJ1-; 6KR; 7ER; 7CS; 8AS						
			P-UB-3	7	8	CTC-1137478	1048.73
SUSPENSION REAR							
			P-U-3	7	8-1/2	CTC-2959886	439.77
UNSPECIFIED APPLICATION							
	1163092		P-UB-3	7	8	CTC-1137478	1048.73
	1U4777		P-UB-3	7	8	CTC-1137478	1048.73
	9T6082		P-U-3	7	8-1/2	CTC-1417296	437.25
MODEL 775E							
SUSPENSION FRONT							
			P-UB-3	7	8	CTC-2950148	1048.73
	BEC321-471						
			P-U-1	7	8	CTC-2976847	680.82
MODEL 775F							
HOIST							
	DLS1-396						
	1455155		I-U-10	5, 7-1/2	6-1/2, 8-1/4	CTC-3367372	694.93
	DLS397-UP; EYG1-UP						
	2960738		I-U-10	5, 7-1/2	6-1/2, 8-1/4	CTC-3367372	694.93
STEERING							
	DLS1-UP; EYG1-UP						
	1053357		I-UB-10	2-1/2	3-1/2	CTC-2949583	112.25
	4172644		P-UB-10	2-1/2	3-1/2	CTC-SK100095	140.81
SUSPENSION FRONT							
	DLS1-396						
	2645784		P-U-1	7	8	CTC-2976847	680.82
	DLS397-UP; EYG1-UP						
	2960736		P-U-1	7	8	CTC-2976847	680.82
SUSPENSION REAR							
	DLS1-396						
	2645786		P-UB-1	7	8-1/2	CTC-2976848	455.39
	DLS397-UP; EYG1-UP						
	2960737		P-UB-1	7	8-1/2	CTC-2976848	455.39

REPLACEMENT KITS FOR CATERPILLAR® EQUIPMENT

Off-Highway Trucks							
APPLICATION	CYL #	Misc-Parts, Instructions, etc.	CODE	ROD	BORE	KIT #	List \$
MODEL 775G							
HOIST							
	MJS1-UP; RFM1-UP						
	1455155		I-U-10	5, 7-1/2	6-1/2, 8-1/4	CTC-3367372	694.93
	MJS1-UP; RFM1-UP; T5F1-UP; T5W1-UP						
	2960738		I-U-10	5, 7-1/2	6-1/2, 8-1/4	CTC-3367372	694.93
STEERING							
	MJS1-UP; RFM1-UP						
	4172644		P-UB-10	2-1/2	3-1/2	CTC-SK100095	140.81
	MJS1-UP; RFM1-UP; T5F1-UP; T5W1-UP						
	1053357		I-UB-10	2-1/2	3-1/2	CTC-2949583	112.25
	3348695		P-UB-10	2-1/2	3-1/2	CTC-4208531	135.83
SUSPENSION FRONT							
	MJS1-384; RFM1-617; T5F1-101; T5W1-110						
	3344225		P-U-1	7	8	CTC-4206848	782.71
	MJS385-UP; RFM618-UP; T5F102-UP; T5W111-UP						
	4415252		P-U-1	7	8	CTC-4206848	782.71
SUSPENSION REAR							
	MJS1-UP; RFM1-UP; T5W1-UP						
	3344228		P-UB-1	7	8-1/2	CTC-3626460	383.23
MODEL 776C, 776D							
STEERING							
	8J9912		P-UB-10	2-3/8	4	CTC-8T1389	76.19
SUSPENSION REAR							
			P-UB-1	9	10-1/2	CTC-2959885	422.05
	8J8865		I,P-U-13	9	10-1/2	CTC-1137482	306.26
MODEL 777C							
HOIST							
	8J8924		I-UB-10	5-1/2	9-1/2	CTC-8T1543	736.38
	4XJ1-UP						
	1711232		I-U-10	5-1/2,8-1/2	7-1/2,9-1/2	CTC-3365288	633.45
STEERING							
	8J9912		P-UB-10	2-3/8	4	CTC-8T1389	76.19
SUSPENSION FRONT							
	4T4756		I,P-U-3	9	10-3/4	CTC-1137463	2741.90
SUSPENSION REAR							
			P-UB-1	9	10-1/2	CTC-2959885	422.05
	8J8865		I,P-U-13	9	10-1/2	CTC-1137482	306.26
MODEL 777D							
HOIST							
	8J8924		I-UB-10	5-1/2	9-1/2	CTC-8T1543	736.38
	2YW1-UP; 3PR1-UP; AGC410-UP; AGY1-UP; FKR1-UP						
	1711232		I-U-10	5-1/2,8-1/2	7-1/2,9-1/2	CTC-3365288	633.45
	3PR1-UP; AGC1-409; AGY1-UP						
	1804327		I-SP-10	5-1/2,8-1/2	7-1/2,9-1/2	CTC-4219022	340.22
STEERING							
	1052440		I-UB-10	2-1/2	3-1/2	CTC-3E3299	178.67
	8J9912		P-UB-10	2-3/8	4	CTC-8T1389	76.19
SUSPENSION FRONT							
	4T4756		I,P-U-3	9	10-3/4	CTC-1137463	2741.90
SUSPENSION REAR							
			P-UB-1	9	10-1/2	CTC-2959885	422.05
	8J8865		I,P-U-13	9	10-1/2	CTC-1137482	306.26
MODEL 777F							
HOIST							
	JRP1-UP						
	1711232		I-U-10	5-1/2,8-1/2	7-1/2,9-1/2	CTC-3365288	633.45

REPLACEMENT KITS FOR CATERPILLAR® EQUIPMENT

Off-Highway Trucks							
APPLICATION	CYL #	Misc-Parts, Instructions, etc.	CODE	ROD	BORE	KIT #	List \$
MODEL 777F							
STEERING							
			I-UB-10	2-1/2	3-1/2	CTC-2949583	112.25
SUSPENSION FRONT							
			P-UB-1	9	10-3/4	CTC-3087849	2399.15
SUSPENSION REAR							
			P-U-1	9	10-1/2	CTC-2976849	442.06
MODEL 777G							
HOIST							
	RDR1-UP; T4Y1-UP; T5A1-UP; TNM1-UP 2960608		I-U-10	5-1/2,8-1/2	7-1/2,9-1/2	CTC-3365288	633.45
STEERING LH							
	RDR1-UP; T4Y1-UP; T5A1-UP; TNM1-UP 3348703		P-UB-10	2-1/2	3-1/2	CTC-SK100023	278.02
STEERING RH							
	RDR1-UP; T4Y1-UP; T5A1-UP; TNM1-UP 3822003		P-UB-10	2-1/2	3-1/2	CTC-4389145	246.20
SUSPENSION FRONT							
	RDR1-UP; T4Y1-UP; T5A1-UP; TNM1-UP 3356351	Wear Rings				CTC-5126568	1084.25
	3356351		P-UB-1	9	10-3/4	CTC-5280339	1340.59
	3356352	Wear Rings				CTC-5126568	1084.25
	3356352		P-UB-1	9	10-3/4	CTC-5280339	1340.59
SUSPENSION REAR							
	RDR1-UP; T4Y1-UP; T5A1-UP; TNM1-UP 3356354		P-UB-1	9	10-1/2	CTC-SK100022	611.46
MODEL 783B							
HOIST							
		Includes extra parts	I-SP-3,10	7-1/4, 10-1/2	9-1/4, 11-1/2	CTC-0715438	1177.73
			I-SP-3,10	7-1/4, 10-1/2	9-1/4, 11-1/2	CTC-8T4939	1237.01
STEERING							
			P-UB-10	2-1/2	5	CTC-1304012	288.96
		Serial# 8GB1-316	P-UB-10	2-1/2	5	CTC-7X2658	269.30
SUSPENSION FRONT							
		Insert wiper kit	I-U-3	11	13-1/8	CTC-0711436	1921.14
		Press-in wiper kit	P-U-3	11	13-1/8	CTC-0712436	2053.70
		Combination kit	I,P-U-3	11	13-1/8	CTC-1137476	2567.21
UNSPECIFIED APPLICATION							
	4T5931		I-SP-3,10	7-1/4, 10-1/2	9-1/4, 11-1/2	CTC-8T4939	1237.01
MODEL 784B, 784C							
STEERING							
	6E5857		P-UB-10	2-1/2	5	CTC-1304012	288.96
MODEL 785, 785B, 785C							
HOIST							
		Includes extra parts	I-SP-3,10	7-1/4, 10-1/2	9-1/4, 11-1/2	CTC-0715438	1177.73
			I-SP-3,10	7-1/4, 10-1/2	9-1/4, 11-1/2	CTC-8T4939	1237.01
STEERING							
			P-UB-10	2-1/2	5	CTC-1304012	288.96
			P-UB-10	2-1/2	5	CTC-7X2658	269.30
SUSPENSION FRONT							
		Insert wiper kit	I-U-3	11	13-1/8	CTC-0711436	1921.14
		Press-in wiper kit	P-U-3	11	13-1/8	CTC-0712436	2053.70
		Combination kit	I,P-U-3	11	13-1/8	CTC-1137476	2567.21
UNSPECIFIED APPLICATION							
	4T5931	785C	I-SP-3,10	7-1/4, 10-1/2	9-1/4, 11-1/2	CTC-8T4939	1237.01

REPLACEMENT KITS FOR CATERPILLAR® EQUIPMENT

Off-Highway Trucks							
APPLICATION	CYL #	Misc-Parts, Instructions, etc.	CODE	ROD	BORE	KIT #	List \$
MODEL 785C							
HOIST							
1HW1-UP; 5AZ1-UP							
	4T5931		I-U-10	7-1/4,10-1/2	9-1/4,11-1/2	CTC-3573798	1208.61
STEERING							
APX1-UP; 1HW1-UP; 5AZ1-UP							
	1U3182	1.55" wide wear ring, rod bearing incl	P-UB-10	2-1/2	5	CTC-2422542	129.29
	1U3182	1.11" wide wear ring, rod bearing incl	P-UB-10	2-1/2	5	CTC-2430384	129.73
	1U3182	1.55" wide wear ring	P-UB-10	2-1/2	5	CTC-2430386	112.74
SUSPENSION FRONT							
1HW1-UP; 5AZ1-UP							
	1U4605	Insert Wiper	I-U-1	11	13-1/8	CTC-3367368	2003.07
1HW1-UP; 5AZ400-UP; APX368-UP							
	3008549		P-U-1	11	13-1/8	CTC-5401438	2463.01
	3008549		Wear Rings			CTC-5126571	1567.31
APX1-367; 1HW1-UP; 5AZ1-399							
	1U4605	Press-in Wiper	P-U-1	11	13-1/8	CTC-3408491	2095.88
APX368-UP; 5AZ400-UP							
	2299872		P-U-1	11	13-1/8	CTC-3408491	2095.88
APX605-UP; APX1618-UP; 5AZ428-UP							
	3117785		P-U-1	11	13-1/8	CTC-3408491	2095.88
SUSPENSION REAR							
APX1-367; 1HW1-UP; 5AZ1-399							
	1072860		P-U-1	11	12-1/2	CTC-3406080	385.70
APX1618-UP; 5AZ428-UP							
	3117788		P-U-1	11	12-1/2	CTC-3406080	385.70
APX368-UP; 5AZ400-UP							
	2299890		P-U-1	11	12-1/2	CTC-3406080	385.70
MODEL 785D							
HOIST							
DMC1-142; MSY1-188							
	4T5931		I-U-10	7-1/4,10-1/2	9-1/4,11-1/2	CTC-3573798	1208.61
DMC143-UP; MSY187-UP							
	3117786		I-U-10	7-1/4,10-1/2	9-1/4,11-1/2	CTC-4220025	1201.73
STEERING							
DMC1-UP; MSY1-UP							
	1U3182		P-UB-10	2-1/2	5	CTC-2422542	129.29
	1U3182		P-UB-10	2-1/2	5	CTC-2430384	129.73
	1U3182		P-UB-10	2-1/2	5	CTC-2430386	112.74
SUSPENSION FRONT							
DMC1-UP; MSY1-UP							
	2299872		P-U-1	11	13-1/8	CTC-3408491	2095.88
	3008549		P-U-1	11	13-1/8	CTC-5401438	2463.01
	3008549		Wear Rings			CTC-5126571	1567.31
	3117784		P-U-1	11	13-1/8	CTC-3408491	2095.88
	3117785		P-U-1	11	13-1/8	CTC-3408491	2095.88
SUSPENSION REAR							
DMC1-UP; MSY1-UP							
	3117788		P-U-1	11	12-1/2	CTC-3406080	385.70
	3117789		P-U-1	11	12-1/2	CTC-3406080	385.70
MODEL 786							
STEERING							
	7J9718		P-UB-10	2-1/4	5	CTC-7X2729	259.72
	7J9984		P-UB-10	2-1/4	5	CTC-7X2729	259.72
TILT LH							
	7J9762		P-UB-10	2-3/4	6-1/2	CTC-7X2689	257.61

REPLACEMENT KITS FOR CATERPILLAR® EQUIPMENT

Off-Highway Trucks							
APPLICATION	CYL #	Misc-Parts, Instructions, etc.	CODE	ROD	BORE	KIT #	List \$
MODEL 786							
TILT RH							
	7J9761		P-UB-10	2-3/4	6-1/2	CTC-7X2689	257.61
MODEL 787B							
HOIST							
	9T2807	spring loaded rod u-seals	I-U-10	7-1/4, 11	9-1/2, 12-1/4	CTC-3541312	1424.06
	9T2807	flat cross-section rod seals	I-SP-3,10	7-1/4, 11	9-1/2, 12-1/4	CTC-8C5788	886.29
STEERING							
	4T6797		P-UB-10	2-3/4	6	CTC-1363337	124.72
SUSPENSION							
	1061801		I,P-U-3	12-1/2	14-1/4	CTC-1137480	1071.64
MODEL 789, 789B, 789C							
HOIST							
	9T2807	spring loaded rod u-seals	I-U-10	7-1/4, 11	9-1/2, 12-1/4	CTC-3541312	1424.06
	9T2807	flat cross-section rod seals	I-SP-3,10	7-1/4, 11	9-1/2, 12-1/4	CTC-8C5788	886.29
STEERING							
			P-UB-10	2-3/4	6	CTC-2440953	163.92
SUSPENSION FRONT							
		Insert wiper kit	I-U-3	12-1/2	15-1/8	CTC-0717440	2777.18
		Press-in wiper kit	P-U-3	12-1/2	15-1/8	CTC-0718440	2776.80
		Combination kit	I,P-U-3	12-1/2	15-1/8	CTC-1131073	3122.75
SUSPENSION REAR							
		Head# 4T4761	I-U-3	12-1/2	14-1/4	CTC-0719441	1169.86
		Head# 1060904, 1061807, 1591977	P-U-3	12-1/2	14-1/4	CTC-0720441	961.28
		Head# 4T4761, 1060904, 1061807, 1591977	I,P-U-3	12-1/2	14-1/4	CTC-1137480	1071.64
UNSPECIFIED APPLICATION							
	1061801	789C	I,P-U-3	12-1/2	14-1/4	CTC-1137480	1071.64
	4T4844	789B, 789C	I,P-U-3	12-1/2	14-1/4	CTC-1137480	1071.64
MODEL 789D							
HOIST							
	SHH1-UP; SPD1-UP						
	9T2807	spring loaded rod u-seals	I-U-10	7-1/4, 11	9-1/2, 12-1/4	CTC-3541312	1424.06
	9T2807	flat cross-section rod seals	I-SP-3,10	7-1/4, 11	9-1/2, 12-1/4	CTC-8C5788	886.29
STEERING							
	SHH1-UP; SPD1-UP						
	4T6797		P-UB-10	2-3/4	6	CTC-SK100064	303.48
SUSPENSION FRONT							
	SHH1-306; SPD1-308						
	4T5182		P-SP,U-1	12-1/2	15-1/8	CTC-SK100062	2781.63
	SHH1-UP; SPD1-UP						
	3477423		P-SP,U-1	12-1/2	15-1/8	CTC-SK100063	2811.41
	3524023		P-SP,U-1	12-1/2	15-1/8	CTC-SK100063	2811.41
	6E1921		P-SP,U-1	12-1/2	15-1/8	CTC-SK100062	2781.63
SUSPENSION REAR							
	SHH1-UP; SPD1-UP						
	1061801		P-U-1	12-1/2	14-1/4	CTC-3802685	559.73
	2292346		P-U-1	12-1/2	14-1/4	CTC-3802685	559.73
MODEL 793, 793B							
HOIST							
			I-SP-10, 3	8-3/4, 12-1/2	11, 13-3/4	CTC-1125343	1014.48
STEERING							
			P-UB-10	2-3/4	5-1/2	CTC-2601518	196.82
	9T8912		P-UB-10	2-3/4	5-1/2	CTC-3234199	182.74
SUSPENSION FRONT							
		Combination kit	I,P-U-3	13-1/2	16-1/8	CTC-1137472	3085.68
		Insert wiper kit	I-U-3	13-1/2	16-1/8	CTC-7751023	2717.06
		Press-in wiper kit	P-U-3	13-1/2	16-1/8	CTC-7761023	2674.94

CATERPILLAR®

REPLACEMENT KITS FOR CATERPILLAR® EQUIPMENT

Off-Highway Trucks							
APPLICATION	CYL #	Misc-Parts, Instructions, etc.	CODE	ROD	BORE	KIT #	List \$
MODEL 793, 793B							
SUSPENSION REAR							
		Head# 4T4761	I-U-3	12-1/2	14-1/4	CTC-0719441	1169.86
		Head# 1060904, 1061807, 1591977	P-U-3	12-1/2	14-1/4	CTC-0720441	961.28
		Head# 1946859; kit includes rod wear ring	P-U-3	12-1/2	14-1/4	CTC-0778441	2631.51
		Head# 4T4761, 1060904, 1061807, 1591977	I,P-U-3	12-1/2	14-1/4	CTC-1137480	1071.64
MODEL 793C							
HOIST							
			I-SP-3,10	7-3/4, 11-1/2	10, 12-3/4	CTC-1531282	1095.39
STEERING							
			P-UB-10	2-3/4	5-1/2	CTC-2601518	196.82
SUSPENSION FRONT							
		Combination kit	I,P-U-3	13-1/2	16-1/8	CTC-1137472	3085.68
		Insert wiper kit	I-U-3	13-1/2	16-1/8	CTC-7751023	2717.06
		Press-in wiper kit	P-U-3	13-1/2	16-1/8	CTC-7761023	2674.94
SUSPENSION REAR							
		Head# 4T4761	I-U-3	12-1/2	14-1/4	CTC-0719441	1169.86
		Head# 1060904, 1061807, 1591977	P-U-3	12-1/2	14-1/4	CTC-0720441	961.28
		Head# 4T4761, 1060904, 1061807, 1591977	I,P-U-3	12-1/2	14-1/4	CTC-1137480	1071.64
UNSPECIFIED APPLICATION							
		6E1101	I,P-U-3	12-1/2	14-1/4	CTC-1137480	1071.64
MODEL 793D							
HOIST							
		FDB1-UP					
		1212071	I-SP-3,10	7-3/4, 11-1/2	10, 12-3/4	CTC-1531282	1095.39
STEERING							
		FDB155-UP					
		9T8912	P-UB-10	2-3/4	5-1/2	CTC-1570287	237.80
		FDB1-UP					
		9T8912	P-UB-10	2-3/4	5-1/2	CTC-1937639	192.16
SUSPENSION FRONT							
		FDB1-UP					
		2848014	P-U-1	13-1/2		CTC-3367342	2135.76
		2848015	P-U-1	13-1/2		CTC-3367342	2135.76
SUSPENSION REAR							
		FDB1-UP					
		2848016	P-U-1	12-1/2		CTC-3802688	774.15
		2848017	P-U-1	12-1/2		CTC-3802688	774.15
MODEL 797							
STEERING							
		5YW1-UP					
		1523601	P-UB-10	3-1/4	6-1/4	CTC-2450620	209.64
		2317761	P-UB-10	3-1/2	7	CTC-2350974	218.87
MODEL 797B							
STEERING							
		JSM1-UP					
		1946171	P-UB-10	3-1/2	7	CTC-2350974	218.87
MODEL 797F							
STEERING LH							
		LAJ1-UP; WSP1-UP					
		1946171	P-UB-10	3-1/2	7	CTC-2350974	218.87

REPLACEMENT KITS FOR CATERPILLAR® EQUIPMENT

Pipelayers							
APPLICATION	CYL #	Misc-Parts, Instructions, etc.	CODE	ROD	BORE	KIT #	List \$
MODEL 572G							
DOZER LIFT LH							
	1U2136		P-UB-10	2-1/2	4-3/4	CTC-7X2660	287.36
DOZER LIFT RH							
	1U2135		P-UB-10	2-1/2	4-3/4	CTC-7X2660	287.36
PUMP							
	38A; 40U; 78V						
	9J5047					CTC-9J5109	51.31
TRACK ADJUSTER							
			TRK ADJ			CTC-FIG3401	89.33
MODEL 583R							
COUNTERWEIGHT							
	1333850		P-UB-10	2-1/8	4	CTC-1305923	218.57
	2XS1-UP						
	1333850		P-UB-10	2-1/8	4	CTC-2465929	69.16
	2XS1-UP; CMX1-UP						
	1333850		P-UB-10	2-1/8	4	CTC-2465933	165.80
MODEL 583T							
COUNTERWEIGHT							
	2XS1-UP						
	1333850		P-UB-10	2-1/8	4	CTC-2465929	69.16
	2XS1-UP; CMX1-UP						
	1333850		P-UB-10	2-1/8	4	CTC-2465933	165.80
MODEL 587R							
COUNTERWEIGHT							
	BXL1-UP; FAT1-UP						
			P-UB-10	50 mm	120 mm	CTC-3087847	253.54
MODEL 587T							
COUNTERWEIGHT							
	BXL1-UP; FAT1-UP						
			P-UB-10	50 mm	120 mm	CTC-3087847	253.54
MODEL 589							
COUNTERWEIGHT							
	3G2918		P-V-10	2	4-1/2	CTC-7X2700	113.54
MODEL 591							
COUNTERWEIGHT							
	3G9729		P-V-10	2	4-1/2	CTC-7X2700	113.54
MODEL MD7, MD8, MDW8							
COUNTERWEIGHT							
	3G3505		P-UB-10	2	4-1/2	CTC-7X2768	141.85
MODEL PL61							
COUNTERWEIGHT							
	WGS1-UP						
	2966784		P-UB-10	60 mm	100 mm	CTC-SK100001	213.32
TRACK ADJUSTER							
	WGS1-UP						
			TRK ADJ			CTC-SK100002	42.63
MODEL PL83							
COUNTERWEIGHT							
	KSD1-UP						
			P-UB-10	2-1/8	4	CTC-2465933	165.80
MODEL PL87							
COUNTERWEIGHT							
	KKJ1-UP						
			P-UB-10	50 mm	120 mm	CTC-3087847	253.54

REPLACEMENT KITS FOR CATERPILLAR® EQUIPMENT

Scrapers							
APPLICATION	CYL #	Misc-Parts, Instructions, etc.	CODE	ROD	BORE	KIT #	List \$
MODEL 611							
APRON							
6SZ1-UP; 7WZ1-UP							
	1706079		P-UB-10	2-1/2	4-1/2	CTC-2310898	120.66
BOWL							
3G5679							
			P-UB-10	2-1/4	5	CTC-9X6392	255.99
6SZ1-UP; 7WZ1-UP							
	3G5679		P-UB-10	2-1/4	5	CTC-2949581	125.11
EJECTOR							
6SZ1-UP; 7WZ1-UP							
	1600624		P-UB-10	2-3/4	5-1/2	CTC-SK100056	165.18
LOAD							
3G7274							
			P-UB-10	2-1/4	4-3/4	CTC-1318778	224.14
6SZ1-UP; 7WZ1-UP							
	3G7274		P-UB-10	2-1/4	4-3/4	CTC-2417580	266.14
STEERING							
6E3566							
			P-UB-10	2-1/4	4-1/2	CTC-1354392	224.57
6SZ1-UP; 7WZ1-UP							
	6E3566		P-UB-10	2-1/4	4-1/2	CTC-2417585	117.91
MODEL 613C II							
BOWL							
8LJ1-UP; 92X1-UP; 93X1612-UP; LCZ1-UP; TJK1-UP							
	9T8252		P-UB-10	2	4	CTC-2409538	110.44
8LJ1-UP; 92X1-UP; 93X1-989; 93X1001-1001; 93X1003-1003; 93X1028-1031; 93X1033-1034							
	1U3124		P-UB-10	2	4	CTC-2406899	68.83
8LJ1-UP; 92X1-UP; 93X990-1000; 93X1002-1002; 93X1004-1027; 93X1032-1032; 93X1035-1611							
	1U3124		P-UB-10	2	4	CTC-2339205	68.83
EJECTOR							
8LJ1-UP; 92X1-UP; 93X1-1611							
	1U2012			2-1/4	3-1/2	CTC-2410903	123.79
	1U2012			2-1/4	3-1/2	CTC-2418916	298.10
8LJ1-UP; 92X1-UP; 93X1612-UP; TJK1-UP							
	9T8039		P-UB-10	2-1/4	3-1/2	CTC-2350355	256.63
FLOOR							
8LJ1-UP; 92X1-UP; 93X1-2779							
	1U2157		P-UB-10	2-1/2	5	CTC-2430386	112.74
8LJ1-UP; 92X1-UP; 93X1-UP; TJK1-UP							
	1U2157		P-UB-10	2-1/2	5	CTC-2430387	333.32
STEERING							
8LJ1-UP; 93X1-2779; LCZ1-UP; TJK1-UP							
	6E2968		P-UB-10	2	3-1/2	CTC-2281778	124.32
92X1798-UP; 93X1-UP; TJK1-UP							
	9T7900		P-UB-10	2	4	CTC-2409538	110.44
92X1-989; 92X998-1000; 92X1003-1003							
	1U2291		P-UB-10	2	4	CTC-2406899	68.83
92X990-997; 92X1001-1002; 92X1004-1797							
	1U2291		P-UB-10	2	4	CTC-2339205	68.83
MODEL 613G							
BOWL							
DBE1-UP; ESB1-UP							
			P-UB-10	2	4	CTC-2409538	110.44
EJECTOR							
DBE1-UP; ESB1-UP							
			P-UB-10	2-1/4	3-1/2	CTC-2350355	256.63
YCB1-UP							
			P-UB-10	85 mm	120 mm	CTC-SK100025	155.25

REPLACEMENT KITS FOR CATERPILLAR® EQUIPMENT

Scrapers							
APPLICATION	CYL #	Misc-Parts, Instructions, etc.	CODE	ROD	BORE	KIT #	List \$
MODEL 613G							
FLOOR							
		DBE1-UP; ESB1-UP					
			P-UB-10	65 mm	130 mm	CTC-3087841	218.86
STEERING							
		DBE1-UP; ESB1-UP; YCB1-UP					
			P-UB-10	2	3-1/2	CTC-2281778	124.32
MODEL 613SC							
BOWL							
	1U3124		P-UB-10	2	4	CTC-1328816	148.39
	3G5679		P-UB-10	2-1/4	5	CTC-9X6392	255.99
	7J6058		P-UB-10	2	4	CTC-7X2755	182.47
	9T8252		P-UB-10	2	4	CTC-1328816	148.39
EJECTOR							
	1U2012		P-UB-10	2-1/4	3-1/2	CTC-1358166	260.00
FLOOR							
	1U2157		P-UB-10	2-1/2	5	CTC-1315118	272.48
MODEL 615C II							
ACCUMULATOR							
		46Z1-UP; 2XG1-UP; 47Z1-UP					
		Piston 9J9318 w/o wear ring	N-N-10		5	CTC-SK100057	48.92
		46Z1-UP; 5TF1-UP; 9XG1-UP; 2XG1-UP; 47Z1-UP					
		Piston 9T1440 w/ wear ring	N-N-10		5	CTC-SK100059	121.63
BOWL LIFT							
		46Z1-UP; 5TF1-UP; 9XG1-UP; 2XG1-897, 47Z1-UP					
	3G5679	Piston 7J5525	P-UB-10	2-1/4	5	CTC-2410895	97.85
	3G5679	Piston 9T8563	P-UB-10	2-1/4	5	CTC-2949581	125.11
		46Z1-UP; 5TF1-UP; 9XG1-UP; 2XG898-UP					
	3G5679		P-UB-10	2-1/4	5	CTC-2949581	125.11
EJECTOR							
		46Z1-UP; 5TF1-UP; 9XG1-UP; 2XG1-UP; 47Z1-UP					
	3G3892			2-1/2	4-1/4	CTC-2430393	297.34
		46Z1-UP; 5TF1-UP; 9XG1-UP; 47Z1-UP					
	3G3892		P-UB-10	2-1/2	4-1/4	CTC-2422546	99.41
FLOOR/DOOR							
		46Z1-UP; 5TF1-UP; 9XG1-UP					
	3G3883			2-3/4	5-1/2	CTC-2285274	346.78
		46Z1-UP; 5TF1-UP; 9XG1-UP; 2XG1-897, 47Z1-UP					
	3G3883	1 Buffer Ring		2-3/4	5-1/2	CTC-2285275	296.39
		46Z1-UP; 5TF1-UP; 9XG1-UP; 47Z1-UP					
	3G3883	3 Buffer Rings	P-UB-10	2-3/4	5-1/2	CTC-SK100035	100.04
LOAD							
		46Z1-UP; 5TF1-UP; 2XG1-UP; 47Z1-UP					
	3G7274		P-UB-10	2-1/4	4-3/4	CTC-2410902	123.56
		46Z1-UP; 5TF1-UP; 9XG1-UP; 2XG1-UP; 47Z1-UP					
	3G7274		P-UB-10	2-1/4	4-3/4	CTC-2417580	266.14
STEERING							
		46Z1-UP; 5TF1-UP; 2XG1-UP; 47Z1-UP					
	5J1326		P-UB-10	2-1/4	5	CTC-2410895	97.85
		9XG1-UP; 2XG1-UP; 47Z1-UP					
	6E3566		P-UB-10	2-1/4	4-1/2	CTC-2417585	117.91
MODEL 615SC							
BOWL							
	3G5679		P-UB-10	2-1/4	5	CTC-7X2729	259.72
	3G5679		P-UB-10	2-1/4	5	CTC-9X6392	255.99
EJECTOR							
	3G3892		P-UB-10	2-1/2	4-1/4	CTC-7X2663	79.02

REPLACEMENT KITS FOR CATERPILLAR® EQUIPMENT

Scrapers							
APPLICATION	CYL #	Misc-Parts, Instructions, etc.	CODE	ROD	BORE	KIT #	List \$
MODEL 615SC							
STEERING							
	5J1326		P-UB-10	2-1/4	5	CTC-7X2729	259.72
MODEL 621F							
ACCUMULATOR							
	2PD1-1030; 6AB1-1522; 8PL1-UP; 2TF1-UP; 5JK1-UP; 6BB1-UP; 9NL1-UP		N-N-10		5	CTC-SK100059	121.63
APRON							
	2PD1-UP; 4SK1-UP; 6AB1-UP; 8PL1-UP; 2TF1-UP; 6BB1-1234			2-3/4	7-1/4	CTC-2440957	454.48
	5J0778						
	2PD1-UP; 4SK1-UP; 6AB1-UP; 8PL1-UP; 5JK1-UP; 6BB1235-UP; 9NL1-UP			2-3/4	7-1/4	CTC-2440954	242.56
	6E3690						
	2PD1-UP; 4SK1-UP; 6AB1-UP; 8PL1-UP; 5JK1-UP; 6BB1-UP; 9NL1-UP			2-3/4	7-1/4	CTC-2440954	242.56
	5J0778						
BOWL							
	2PD1-UP; 4SK1-UP; 6AB1-UP; 8PL1-UP; 2TF1-UP; 5JK1-UP; 6BB1-UP; 9NL1-UP			2-1/2	6	CTC-2422545	379.38
	5J2449						
	5J2450			2-1/2	6	CTC-2422545	379.38
EJECTOR							
	2PD1-UP; 4SK1-UP; 6AB1-UP; 8PL1-UP; 2TF1-699; 6BB1-1234			4	6-1/2	CTC-2460643	706.16
	1U0408	Head 3G1729					
	2PD1-UP; 4SK1-UP; 6AB1-UP; 8PL1-UP; 2TF700-UP; 5JK1-UP; 6BB1235-UP; 9NL1-UP			4	6-1/2	CTC-2460641	782.05
	1U0408						
	2PD1-UP; 4SK1-UP; 6AB1-UP; 8PL1-UP; 5JK1-UP			4	6-1/2	CTC-SK100053	444.55
	9T4885	Auger arrangement	P-UB-10				
	2PD1-UP; 4SK1-UP; 6AB1-UP; 8PL1-UP; 6BB1-1234			4	6-1/2	CTC-2460641	782.05
	1U0408	Head 9T6530					
LOAD							
	1083592		P-UB-10	2-1/2	5-1/2	CTC-7X2653	259.89
	2PD1022-UP; 4SK1-UP; 6AB1579-UP; 8PL1-UP; 2TF1-UP; 5JK1-UP; 6BB1-UP; 9NL1-UP			2-1/2	5-1/2	CTC-2422539	127.95
	1083592						
	2PD1-739; 6AB1-1165; 2TF1-UP; 5JK1-UP; 6BB1-UP; 9NL1-UP			2-1/2	5-1/2	CTC-2422539	127.95
	9T1803		P-UB-10				
	2PD740-1021; 6AB1166-1578; 8PL1-UP; 2TF1-UP; 5JK1-UP; 6BB1-UP; 9NL1-UP			2-1/2	5-1/2	CTC-9X6027	181.58
	9T8935		P-SP-10				
SERVO							
	2PD1-UP; 4SK1-UP; 6AB1-UP; 8PL1-UP; 2TF1-UP; 5JK1-UP; 6BB1-UP; 9NL1-UP			3/4	1-1/2	CTC-3651382	57.09
	4T9364		I-U-10				
	2PD1-UP; 4SK1-UP; 6AB1-UP; 8PL1-UP2TF1-UP; 5JK1-UP; 6BB1-UP; 9NL1-UP			3/4	1-1/2	CTC-3651382	57.09
	9T6685		I-U-10				
STEERING							
	3G5192	1.11" wide wear ring, rod bearing incl	P-UB-10	2-1/2	5	CTC-1304012	288.96
	5J1326		P-UB-10	2-1/4	5	CTC-7X2729	259.72
	2PD1-UP; 4SK1-UP; 6AB1-UP; 8PL1-UP; 2TF1-638; 6BB1-1234			2-1/2	5	CTC-2430386	112.74
	3G5192		P-UB-10				
	2PD1-UP; 4SK1-UP; 6AB1-UP; 8PL1-UP; 2TF639-UP; 6BB1-1234			2-1/2	5	CTC-2422542	129.29
	3G5192	Piston 7J5525	P-UB-10				
	2PD1-UP; 4SK1-UP; 6AB1-UP; 8PL1-UP; 5JK1-UP; 6BB1235-UP; 9NL1-UP			2-1/2	5	CTC-2430384	129.73
	3G5192		P-UB-10				
	2PD1-UP; 4SK1-UP; 6AB1-UP; 8PL1-UP; 6BB1-1234			2-1/2	5	CTC-2430384	129.73
	3G5192	Piston 9T8563	P-UB-10				
MODEL 621G							
APRON							
	ALP1-UP; CEN1-UP; DBB1-UP; KJW1-UP; NEL1-UP; ANG1-UP; CEP1-UP; DBX1-UP; KLK1-UP; MEX1-UP			2-3/4	7-1/4	CTC-2440954	242.56
	6E3690						

REPLACEMENT KITS FOR CATERPILLAR® EQUIPMENT

Scrapers							
APPLICATION	CYL #	Misc-Parts, Instructions, etc.	CODE	ROD	BORE	KIT #	List \$
MODEL 621G							
BOWL							
ALP1-UP; CEN1-UP; DBB1-UP; KJW1-UP; NEL1-UP; ANG1-UP; CEP1-UP; DBX1-UP; KLK1-UP; MEX1-UP							
5J2449				2-1/2	6	CTC-2422545	379.38
5J2450				2-1/2	6	CTC-2422545	379.38
EJECTOR							
ALP1-UP; CEN1-UP; DBB1-UP; KJW1-UP; NEL1-UP; ANG1-UP; CEP1-UP; DBX1-UP; KLK1-UP; MEX1-UP							
1U0408				4	6-1/2	CTC-2460641	782.05
9T4885	Auger arrangement		P-UB-10	4	6-1/2	CTC-SK100053	444.55
LOAD							
1083592			P-UB-10	2-1/2	5-1/2	CTC-7X2653	259.89
ALP1-UP; CEN1-UP; DBB1-UP; KJW1-UP; NEL1-UP; ANG1-UP; CEP1-UP; DBX1-UP; KLK1-UP; MEX1-UP							
1083592			P-UB-10	2-1/2	5-1/2	CTC-2422539	127.95
CEN1-UP; ANG1-UP; CEP1-UP; DBX1-UP; KLK1-UP; MEX1-UP							
			P-UB-10	2-1/2	5-1/2	CTC-SK100054	332.29
PUMP							
DBB; 14S; 15S; 35V; 45P							
9J5075						CTC-9J5108	64.20
SERVO							
ALP1-UP; CEN1-UP; DBB1-UP; KJW1-UP; NEL1-UP; ANG1-UP; CEP1-UP; DBX1-UP; KLK1-UP; MEX1-UP							
9T6685			I-U-10	3/4	1-1/2	CTC-3651382	57.09
STEERING							
ALP1-UP; CEN1-UP; DBB1-UP; KJW1-UP; NEL1-UP; ANG1-UP; CEP1-UP; DBX1-UP; KLK1-UP; MEX1-UP							
3G5192			P-UB-10	2-1/2	5	CTC-2430384	129.73
CEN1-UP; ANG1-UP; CEP1-UP; DBX1-UP; KLK1-UP; MEX1-UP							
			P-UB-10	2-1/4	5	CTC-SK100055	561.93
MODEL 621H							
BAIL							
DBK1-UP; EAZ1-UP							
			P-UB-10	60 mm	90 mm	CTC-SK100026	340.39
LOAD							
DBK1-UP; EAZ1-UP							
			P-UB-10	2-1/2	5-1/2	CTC-3367351	321.18
SERVO							
DBK1-UP; EAZ1-UP							
			I-U-10	3/4	1-1/2	CTC-3651382	57.09
STEERING							
DBK1-UP; EAZ1-UP							
			P-UB-10	2-1/2	5	CTC-2430384	129.73
MODEL 621SC							
APRON							
5J0778			P-UB-10	2-3/4	7-1/4	CTC-7X2681	181.74
6E3690			P-UB-10	2-3/4	7-1/4	CTC-7X2681	181.74
BOWL LH							
5J2450			P-UB-10	2-1/2	6	CTC-7X2662	274.02
BOWL RH							
5J2449			P-UB-10	2-1/2	6	CTC-7X2662	274.02
EJECTOR							
1U0408			P-UB-10	4	6-1/2	CTC-7X2765	377.11
6J9689			P-UB-10	4	6-1/2	CTC-7X2765	377.11
9T4885			P-UB-10	4	6-1/2	CTC-7X2765	377.11
LOAD							
8J0204			P-UB-10	2-1/2	5-1/2	CTC-9X2050	161.08
STEERING							
3G5192	1.11" wide wear ring, rod bearing incl		P-UB-10	2-1/2	5	CTC-1304012	288.96
3G5192	1.55" wide wear ring		P-UB-10	2-1/2	5	CTC-7X2743	179.74
5J1326			P-UB-10	2-1/4	5	CTC-7X2729	259.72

CATERPILLAR®

REPLACEMENT KITS FOR CATERPILLAR® EQUIPMENT

Scrapers							
APPLICATION	CYL #	Misc-Parts, Instructions, etc.	CODE	ROD	BORE	KIT #	List \$
MODEL 623F							
ACCUMULATOR							
3XW1-UP; 5SG1-UP; 6DB1-UP; 6CB1-UP; 6YF1-387							
			N-N-10		5	CTC-SK100059	121.63
BOWL							
5EW1-UP; 6BK1-UP; 6CB1-UP; 6YF1-UP; 3XW1-UP; 5SG1-UP; 6DB1-UP							
	8J1876			2-1/2	6	CTC-2422545	379.38
EJECTOR							
5EW1-UP; 6BK1-UP; 6CB1-UP; 6YF1-UP; 3XW1-UP; 5SG1-UP; 6DB1-UP							
	8J5478	Piston 9T8563	P-UB-10	2-1/2	5	CTC-2430384	129.73
5EW1-UP; 6BK1-UP; 6CB1-UP; 6YF1-UP; 6DB1-UP							
	8J5478	Piston 7J5525	P-UB-10	2-1/2	5	CTC-2422542	129.29
	8J5478		P-UB-10	2-1/2	5	CTC-2430386	112.74
FLOOR							
5EW1-UP; 6BK1-UP; 6CB1-UP; 6YF1-UP; 3XW1-287							
	1478194		P-UB-10	4	6	CTC-2460658	543.59
5EW1-UP; 6BK1-UP; 6CB1-UP; 6YF1-UP; 3XW288-UP							
				3-1/4	5-1/2	CTC-2611073	432.11
5EW1-UP; 6BK1-UP; 6CB1-UP; 6YF1-UP; 5SG1-UP; 6DB1-UP							
	8J1821		P-UB-10	3	6	CTC-2442062	260.45
5EW1-UP; 6BK1-UP; 6CB1-UP; 6YF1-UP; 6DB1-UP							
	8J1821			3	6	CTC-2442064	112.66
LOAD							
5EW1-UP; 6BK1-UP; 6CB1-841; 6YF431-UP; 3XW1-UP; 5SG1-UP; 6DB1-UP							
	1083592		P-UB-10	2-1/2	5-1/2	CTC-2422539	127.95
	9T1803		P-UB-10	2-1/2	5-1/2	CTC-2422539	127.95
6CB842-UP; 6YF1-430; 3XW1-UP; 5SG1-UP; 6DB1-UP							
	9T8935		P-SP-10	2-1/2	5-1/2	CTC-9X6027	181.58
SERVO							
5EW1-UP; 6BK1-UP; 6CB1-UP; 6YF1-UP; 3XW1-UP; 5SG1-UP; 6DB1-UP							
	4T9364		I-U-10	3/4	1-1/2	CTC-3651382	57.09
	9T6685		I-U-10	3/4	1-1/2	CTC-3651382	57.09
STEERING							
5EW1-UP; 6BK1-UP; 6CB1-UP; 6YF1-UP; 3XW1-UP; 5SG1-UP; 6DB1-UP							
	3G5192	Piston 9T8563	P-UB-10	2-1/2	5	CTC-2430384	129.73
5EW1-UP; 6BK1-UP; 6CB1-UP; 6YF1-UP; 6DB1-UP							
	3G5192	Piston 7J5525	P-UB-10	2-1/2	5	CTC-2422542	129.29
	3G5192		P-UB-10	2-1/2	5	CTC-2430386	112.74
MODEL 623F, 623G							
LOAD							
	1083592		P-UB-10	2-1/2	5-1/2	CTC-7X2653	259.89
MODEL 623G							
BOWL							
ARW1-UP; CES1-UP; DBC1-UP; AWB1-UP; CEW1-UP; DBY1-UP							
	8J1876			2-1/2	6	CTC-2422545	379.38
EJECTOR							
ARW1-UP; CES1-UP; DBC1-UP; AWB1-UP; CEW1-UP; DBY1-UP							
	8J5478		P-UB-10	2-1/2	5	CTC-2430384	129.73
FLOOR							
ARW1-UP; CES1-UP; DBC1-UP; AWB1-UP; CEW1-UP; DBY1-UP							
	1854338			3-1/4	5-1/2	CTC-2611073	432.11
LOAD							
ARW1-UP; CES1-UP; DBC1-UP; AWB1-UP; CEW1-UP; DBY1-UP							
			P-UB-10	2-1/2	5-1/2	CTC-2422539	127.95
SERVO							
ARW1-UP; CES1-UP; DBC1-UP; AWB1-UP; CEW1-UP; DBY1-UP							
			I-U-10	3/4	1-1/2	CTC-3651382	57.09

REPLACEMENT KITS FOR CATERPILLAR® EQUIPMENT

Scrapers							
APPLICATION	CYL #	Misc-Parts, Instructions, etc.	CODE	ROD	BORE	KIT #	List \$
MODEL 623G							
STEERING							
ARW1-UP; CES1-UP; DBC1-UP; AWB1-UP; CEW1-UP; DBY1-UP							
	3G5192		P-UB-10	2-1/2	5	CTC-2430384	129.73
MODEL 623H							
LOAD							
DBF1-UP; EJD1-UP							
			P-UB-10	2-1/2	5-1/2	CTC-3367351	321.18
SERVO							
DBF1-UP; EJD1-UP							
			I-U-10	3/4	1-1/2	CTC-3651382	57.09
STEERING							
DBF1-UP; EJD1-UP							
			P-UB-10	2-1/2	5	CTC-2430384	129.73
MODEL 623SC							
EJECTOR							
	8J5478		P-UB-10	2-1/2	5	CTC-1304012	288.96
	8J5478		P-UB-10	2-1/2	5	CTC-7X2658	269.30
FLOOR							
	8J1821		P-UB-10	3	6	CTC-7X2698	298.08
LIFT							
	8J1876		P-UB-10	2-1/2	6	CTC-7X2662	274.02
LOAD							
	8J0204		P-UB-10	2-1/2	5-1/2	CTC-9X2050	161.08
STEERING							
	3G5192	1.11" wide wear ring, rod bearing incl	P-UB-10	2-1/2	5	CTC-1304012	288.96
	3G5192	1.55" wide wear ring	P-UB-10	2-1/2	5	CTC-7X2743	179.74
	5J1326		P-UB-10	2-1/4	5	CTC-7X2729	259.72
MODEL 623SCG							
EJECTOR							
	8J5478		P-UB-10	2-1/2	5	CTC-1304012	288.96
LIFT							
	8J1876		P-UB-10	2-1/2	6	CTC-7X2662	274.02
STEERING							
	3G5192	1.11" wide wear ring, rod bearing incl	P-UB-10	2-1/2	5	CTC-1304012	288.96
MODEL 627F							
ACCUMULATOR							
6EB1-UP; 6GB1-UP; 7CB1-875; 3WJ1-UP; 4YK1-UP; 6FB1-UP; 6HB1-UP							
			N-N-10		5	CTC-SK100059	121.63
APRON							
1DL1-UP; 6EB1-UP; 6GB1-UP; 7CG1-UP; 3WJ1-UP; 4YK1-UP; 6FB1-UP; 6HB1-UP							
	5J0778			2-3/4	7-1/4	CTC-2440954	242.56
	6E3690			2-3/4	7-1/4	CTC-2440954	242.56
1DL1-UP; 6EB1-UP; 6GB1-UP; 7CG1-UP; 6FB1-UP; 6HB1-UP							
	5J0778			2-3/4	7-1/4	CTC-2440957	454.48
BAIL							
	6E0801		P-UB-10	1-3/4	3	CTC-7X2825	85.90
1DL1-UP; 3WJ1-UP; 4YK1-UP; 6FB1-UP; 6HB1-UP							
	6E0801		P-UB-10	1-3/4	3	CTC-2275350	53.51
6EB644-UP; 6GB1-UP; 7CG1-UP; 3WJ1-UP; 4YK1-UP; 6FB1-UP; 6HB1-UP							
	4T5638		P-UB-10	1-3/4	3	CTC-2402016	66.44
BOWL LIFT							
	5J2449	Wear Ring 1.74"	P-UB-10	2-1/2	6	CTC-7X2662	274.02
	5J2450	Wear Ring 1.74"	P-UB-10	2-1/2	6	CTC-7X2662	274.02
1DL1-UP; 6EB1-UP; 6GB1-UP; 7CG1-UP; 3WJ1-UP; 4YK1-UP; 6FB1-UP; 6HB1-UP							
	5J2449			2-1/2	6	CTC-2422545	379.38
	5J2450			2-1/2	6	CTC-2422545	379.38

REPLACEMENT KITS FOR CATERPILLAR® EQUIPMENT

Scrapers							
APPLICATION	CYL #	Misc-Parts, Instructions, etc.	CODE	ROD	BORE	KIT #	List \$
MODEL 627F							
EJECTOR							
1DL1-UP; 6EB1-UP; 6GB1-UP; 7CG1-UP; 3WJ1-UP; 4YK1-UP; 6FB1-UP; 6HB1-UP							
1U0408	Head 9T6530			4	6-1/2	CTC-2460641	782.05
9T4885	Auger arrangement		P-UB-10	4	6-1/2	CTC-SK100053	444.55
1DL1-UP; 6EB1-UP; 6GB1-UP; 7CG1-UP; 6FB1-UP; 6HB1-UP							
1U0408	Head 3G1729			4	6-1/2	CTC-2460643	706.16
LOAD							
1083592			P-UB-10	2-1/2	5-1/2	CTC-7X2653	259.89
1DL1-UP; 6EG1-586; 6GB1-713; 3WJ1-UP; 4YK1-UP; 6FB1-UP; 6HB1-UP							
9T1803			P-UB-10	2-1/2	5-1/2	CTC-2422539	127.95
6EB587-UP; 6GB714-UP; 7CG1-925; 3WJ1-UP; 4YK1-UP; 6FB1-UP; 6HB1-UP							
9T8935			P-SP-10	2-1/2	5-1/2	CTC-9X6027	181.58
7CG926-UP; 3WJ1-UP; 4YK1-UP; 6FB1-UP; 6HB1-UP							
1083592			P-UB-10	2-1/2	5-1/2	CTC-2422539	127.95
SERVO							
1DL1-UP; 6EB1-UP; 6GB1-UP; 7CG1-UP; 3WJ1-UP; 4YK1-UP; 6FB1-UP; 6HB1-UP							
4T9364			I-U-10	3/4	1-1/2	CTC-3651382	57.09
9T6685			I-U-10	3/4	1-1/2	CTC-3651382	57.09
STEERING							
1DL1-UP; 6EB1-UP; 6GB1-UP; 7CG1-UP; 3WJ1-UP; 4YK1-UP; 6FB1-UP; 6HB1-UP							
3G5192	Piston 9T8563		P-UB-10	2-1/2	5	CTC-2430384	129.73
1DL1-UP; 6EB1-UP; 6GB1-UP; 7CG1-UP; 6FB1-UP; 6HB1-UP							
3G5192	Piston 7J5525		P-UB-10	2-1/2	5	CTC-2422542	129.29
3G5192			P-UB-10	2-1/2	5	CTC-2430386	112.74
MODEL 627G							
APRON							
AXF1-UP; CEX1-UP; DBD1-UP; AYK1-UP; CEZ1-UP; DBZ1-UP							
6E3690				2-3/4	7-1/4	CTC-2440954	242.56
BAIL							
AXF1-UP; CEX1-UP; DBD1-UP; AYK1-UP; CEZ1-UP; DBZ1-UP							
1677434			P-UB-10	1-3/4	3	CTC-2275350	53.51
BOWL LIFT							
5J2449	Wear Ring 1.74"		P-UB-10	2-1/2	6	CTC-7X2662	274.02
5J2450	Wear Ring 1.74"		P-UB-10	2-1/2	6	CTC-7X2662	274.02
AXF1-UP; CEX1-UP; DBD1-UP; AYK1-UP; CEZ1-UP; DBZ1-UP							
5J2449				2-1/2	6	CTC-2422545	379.38
5J2450				2-1/2	6	CTC-2422545	379.38
EJECTOR							
AXF1-UP; CEX1-UP; DBD1-UP; AYK1-UP; CEZ1-UP; DBZ1-UP							
1U0408				4	6-1/2	CTC-2460641	782.05
9T4885			P-UB-10	4	6-1/2	CTC-SK100053	444.55
LOAD							
AXF1-UP; CEX1-UP; DBD1-UP; AYK1-UP; CEZ1-UP; DBZ1-UP							
1083592			P-UB-10	2-1/2	5-1/2	CTC-2422539	127.95
SERVO							
AXF1-UP; CEX1-UP; DBD1-UP; AYK1-UP; CEZ1-UP; DBZ1-UP							
9T6685			I-U-10	3/4	1-1/2	CTC-3651382	57.09
STEERING							
AXF1-UP; CEX1-UP; DBD1-UP; AYK1-UP; CEZ1-UP; DBZ1-UP							
3G5192			P-UB-10	2-1/2	5	CTC-2430384	129.73
MODEL 627H							
BAIL							
DBW1-UP; LCT1-UP							
			P-UB-10	60 mm	90 mm	CTC-SK100026	340.39

REPLACEMENT KITS FOR CATERPILLAR® EQUIPMENT

Scrapers							
APPLICATION	CYL #	Misc-Parts, Instructions, etc.	CODE	ROD	BORE	KIT #	List \$
MODEL 627H							
LOAD							
	DBW1-UP; LCT1-UP						
			P-UB-10	2-1/2	5-1/2	CTC-3367351	321.18
SERVO							
	DBW1-UP; LCT1-UP						
			I-U-10	3/4	1-1/2	CTC-3651382	57.09
STEERING							
	DBW1-UP; LCT1-UP						
			P-UB-10	2-1/2	5	CTC-2430384	129.73
MODEL 627SC							
APRON							
	5J0778		P-UB-10	2-3/4	7-1/4	CTC-7X2681	181.74
	6E3690		P-UB-10	2-3/4	7-1/4	CTC-7X2681	181.74
BAIL							
	7J2377		P-U-10	2	3-1/2	CTC-7X2806	194.12
	8J6064		P-U-10	2	3-1/2	CTC-7X2806	194.12
BOWL LH							
	5J2450		P-UB-10	2-1/2	6	CTC-7X2662	274.02
BOWL RH							
	5J2449		P-UB-10	2-1/2	6	CTC-7X2662	274.02
EJECTOR							
	1U0408		P-UB-10	4	6-1/2	CTC-7X2765	377.11
	9T4885		P-UB-10	4	6-1/2	CTC-7X2765	377.11
LOAD							
	8J0204		P-UB-10	2-1/2	5-1/2	CTC-9X2050	161.08
STEERING							
	3G5192	1.11" wide wear ring, rod bearing incl	P-UB-10	2-1/2	5	CTC-1304012	288.96
	3G5192	1.55" wide wear ring, rod bearing incl	P-UB-10	2-1/2	5	CTC-7X2658	269.30
	3G5192	1.55" wide wear ring	P-UB-10	2-1/2	5	CTC-7X2743	179.74
	5J1326		P-UB-10	2-1/4	5	CTC-7X2729	259.72
MODEL 630							
TRACTION CONTROL							
	4D0470		P-V-10	2	5	CTC-7X2763	216.70
	4D5543		P-V-10	2	5	CTC-7X2763	216.70
MODEL 630SC							
EJECTOR							
	6J1419		I-U-10	6	8-1/4	CTC-1180672	812.39
MODEL 631E II							
ACCUMULATOR							
	1AB1-581; 1BB1-UP; 4LD1-UP; 6PC1-UP						
			N-N-10		5	CTC-SK100057	48.92
	1AB582-1468, 1640-UP; 1NB1-UP; 3ND1-544; 1BB1-UP; 4LD1-UP; 6PC1-UP						
			N-N-10		5	CTC-SK100059	121.63
APRON							
	1AB1-UP; 1NB1-UP; 3ND1-UP; 1BB1-UP; 4LD1-UP; 6PC1-UP						
	8J5931			3	8-1/4	CTC-2442069	516.06
BOWL							
	1AB1-UP; 1NB1-UP; 3ND1-UP; 1BB1-850; 4LD1-250; 6PC1-518						
	9J0408			2-3/4	7-1/4	CTC-2435820	357.00
	9J0409			2-3/4	7-1/4	CTC-2435820	357.00
	1AB1-UP; 1NB1-UP; 3ND1-UP; 1BB851-UP; 4LD251-UP; 6PC1-UP						
	9J0408			2-3/4	7-1/4	CTC-2435814	384.60
	9J0409			2-3/4	7-1/4	CTC-2435814	384.60

REPLACEMENT KITS FOR CATERPILLAR® EQUIPMENT

Scrapers							
APPLICATION	CYL #	Misc-Parts, Instructions, etc.	CODE	ROD	BORE	KIT #	List \$
MODEL 631E II							
EJECTOR							
1AB1-UP; 1NB1-UP; 3ND1-UP; 1BB1-UP; 4LD1-269; 6PC1-597							
6E0897			I-U-10	6	8-1/4	CTC-1891778	796.99
6E0905			I-U-10	6	8-1/4	CTC-1891778	796.99
6J5824			I-U-10	6	8-1/4	CTC-1891778	796.99
9T3595			I-U-10	6	8-1/4	CTC-1891778	796.99
9T4887			I-U-10	6	8-1/4	CTC-1891778	796.99
1AB1-UP; 1NB1-UP; 3ND1-UP; 1BB1-UP; 4LD270-UP; 6PC598-UP							
6E0897				6	8-1/4	CTC-2463442	1109.45
LOAD							
1AB1076-1445; 1NB686-871; 3ND318-536; 1BB1-UP; 4LD1-UP; 6PC1-UP							
8J9959			P-SP-10	2-1/2	6-1/2	CTC-9X6024	245.47
1AB1446-1639; 1NB872-1389; 1BB1-UP; 4LD1-UP; 6PC1-UP							
1083591	Head 1100311			2-1/2	6-1/2	CTC-2435803	352.46
1083591	Head 9T6538		P-SP-10	2-1/2	6-1/2	CTC-9X6024	245.47
8J9959	Head 9T6538		P-SP-10	2-1/2	6-1/2	CTC-9X6024	245.47
1AB1640-UP; 1NB1390-UP; 3ND537-UP; 1BB1-UP; 4LD1-UP; 6PC1-UP							
1083591				2-1/2	6-1/2	CTC-2435803	352.46
1AB1-679; 1NB1-595; 3ND1-275; 1BB1-UP; 4LD1-UP; 6PC1-UP							
8J9959				2-1/2	6-1/2	CTC-2435797	330.27
1AB680-1075; 1NB595-685; 3ND276-317; 1BB1-UP; 4LD1-UP; 6PC1-UP							
8J9959				2-1/2	6-1/2	CTC-2435803	352.46
SERVO							
1AB1-UP; 1NB1-UP; 3ND1-UP; 1BB1-UP; 4LD1-UP; 6PC1-UP							
4T9364			I-U-10	3/4	1-1/2	CTC-3651382	57.09
9T6685			I-U-10	3/4	1-1/2	CTC-3651382	57.09
STEERING							
1AB1-UP; 1NB1-UP; 3ND1-UP; 1BB1-747, 749-752; 4LD1-250; 6PC1-518							
3G7607	Head 9J5605		P-UB-10	2-3/4	6-1/2	CTC-2355802	116.19
1AB1-UP; 1NB1-UP; 3ND1-UP; 1BB1-UP; 4LD251-UP; 6PC1-UP							
3G7607	Head 9T6861		P-UB-10	2-3/4	6-1/2	CTC-2355804	319.76
MODEL 631G							
APRON							
AWK1-UP; CLR1-UP; DFA1-UP; AXZ1-UP; CMT1-UP; DEM1-UP							
8J5931				3	8-1/4	CTC-2442069	516.06
BOWL							
AWK1-UP; CLR1-UP; DFA1-UP; AXZ1-UP; CMT1-UP; DEM1-UP							
9J0408				2-3/4	7-1/4	CTC-2435814	384.60
9J0409				2-3/4	7-1/4	CTC-2435814	384.60
EJECTOR							
AWK1-UP; CLR1-UP; DFA1-UP; AXZ1-UP; CMT1-UP; DEM1-UP							
6E0897				6	8-1/4	CTC-2463442	1109.45
LOAD							
AWK1-UP; CLR1-UP; DFA1-UP; AXZ1-UP; CMT1-UP; DEM1-UP							
1083591				2-1/2	6-1/2	CTC-2435803	352.46
SERVO							
AWK1-UP; CLR1-UP; DFA1-UP; AXZ1-UP; CMT1-UP; DEM1-UP							
9T6685			I-U-10	3/4	1-1/2	CTC-3651382	57.09
STEERING							
AWK1-UP; CLR1-UP; DFA1-UP; AXZ1-UP; CMT1-UP; DEM1-UP							
3G7607			P-UB-10	2-3/4	6-1/2	CTC-2355804	319.76
MODEL 631SC							
APRON							
8J5931			P-UB-10	3	8-1/4	CTC-7X2695	515.48

REPLACEMENT KITS FOR CATERPILLAR® EQUIPMENT

Scrapers							
APPLICATION	CYL #	Misc-Parts, Instructions, etc.	CODE	ROD	BORE	KIT #	List \$
MODEL 631SC							
EJECTOR							
	6E0897		I-U-10	6	8-1/4	CTC-1180672	812.39
	6E0905		I-U-10	6	8-1/4	CTC-1180672	812.39
	6J1419		I-U-10	6	8-1/4	CTC-1180672	812.39
	6J5824		I-U-10	6	8-1/4	CTC-1180672	812.39
	6J5824		P-V-10	6	8-1/4	CTC-8T1415	473.30
	9T3595		I-U-10	6	8-1/4	CTC-1180672	812.39
	9T4887		I-U-10	6	8-1/4	CTC-1180672	812.39
LIFT LH							
	7J2396		P-UB-10	2-3/4	7-1/4	CTC-7X2687	329.74
	9J0409		P-UB-10	2-3/4	7-1/4	CTC-7X2687	329.74
LIFT RH							
	7J2395		P-UB-10	2-3/4	7-1/4	CTC-7X2687	329.74
	9J0408		P-UB-10	2-3/4	7-1/4	CTC-7X2687	329.74
LOAD							
	7J3386		P-UB-10	2-1/2	6	CTC-7X2836	238.35
STEERING							
	3G7607		P-UB-10	2-3/4	6-1/2	CTC-7X2689	257.61
	3J9031		P-UB-10	2-1/2	6-1/2	CTC-8T1376	127.25
	5J1250		P-UB-10	2-1/2	6-1/2	CTC-8T1376	127.25
	5J7806		P-UB-10	2-1/2	6-1/2	CTC-8T1376	127.25
MODEL 633B							
ACCUMULATOR							
	66M693-UP; 86H711-UP						
			N-N-10		5	CTC-SK100057	48.92
BOWL LIFT							
	3G9677		P-UB-10	2-3/4	7-1/4	CTC-7X2687	329.74
	44J1-UP; 66M1-UP; 86H1-340						
	5J7654		P-V-10	2-3/4	7-1/4	CTC-SK100036	145.52
	5J7654		I-V-10	2-3/4	7-1/4	CTC-SK100038	134.99
	44J1-UP; 66M1-UP; 86H341-537						
	7J0243		P-V-10	2-3/4	7-1/4	CTC-SK100036	145.52
	44J1-UP; 66M1-UP; 86H538-980						
	7J0243		P-UB-10	2-3/4	7-1/4	CTC-SK100034	128.95
	44J1-UP; 66M1-UP; 86H981-UP						
	7J0243			2-3/4	7-1/4	CTC-2435820	357.00
FLOOR							
	44J1-UP; 66M1-UP; 86H1-687						
	5J7806			2-1/2	6-1/2	CTC-2422554	295.27
	6J1516			2-1/2	6-1/2	CTC-2422554	295.27
	7J1693			2-1/2	6-1/2	CTC-2422554	295.27
	44J1-UP; 66M1-UP; 86H688-UP						
	6J1516			2-1/2	6-1/2	CTC-2435797	330.27
	7J1693			2-1/2	6-1/2	CTC-2435797	330.27
LOAD CUSHION HITCH							
	9J0537		P-UB-10	2-1/2	6-1/2	CTC-8T1376	127.25
	66M693-850, 825-861, 866; 86H1-UP						
	7J3386		P-UB-10	2-1/2	6	CTC-2422558	107.60
	66M851, 862-865, 867-UP; 86H1-UP						
	9J0537			2-1/2	6-1/2	CTC-2435797	330.27
SERVO-MASTER							
	66M693-UP; 86H1-UP						
	5J8606		I-U-10	3/4	1-1/2	CTC-8T1387	64.09

CATERPILLAR®

REPLACEMENT KITS FOR CATERPILLAR® EQUIPMENT

Scrapers							
APPLICATION	CYL #	Misc-Parts, Instructions, etc.	CODE	ROD	BORE	KIT #	List \$
MODEL 633B							
STEERING							
	5J7806		P-UB-10	2-1/2	6-1/2	CTC-8T1376	127.25
	6J1516		P-UB-10	2-1/2	6-1/2	CTC-8T1376	127.25
	8J3544		P-UB-10	2-1/2	6-1/2	CTC-8T1376	127.25
	44J1-UP; 66M1-659; 86H1-UP						
	5J7806			2-1/2	6-1/2	CTC-2422554	295.27
	66M660-UP; 86H1-UP						
	5J7806			2-1/2	6-1/2	CTC-2435797	330.27
	8J3544			2-1/2	6-1/2	CTC-2435797	330.27
STEERING RH							
	7J1693		P-UB-10	2-1/2	6-1/2	CTC-8T1376	127.25
MODEL 633E							
BOWL							
	2PS1-UP; 1EB1-UP						
	1313223			2-3/4	7-1/4	CTC-2435814	384.60
	3G9677			2-3/4	7-1/4	CTC-2435814	384.60
EJECTOR							
	2PS1-UP; 1EB1-UP						
	1U0408			4	6-1/2	CTC-2460641	782.05
FLOOR							
	2PS1-UP; 1EB1-UP						
	2T3616		P-UB-10	3	6-1/4	CTC-SK100052	217.09
LOAD							
	2PS1-UP; 1EB1-UP						
	1083591			2-1/2	6-1/2	CTC-2435803	352.46
SERVO							
	2PS1-UP; 1EB1-UP						
	9T6685		I-U-10	3/4	1-1/2	CTC-3651382	57.09
STEERING							
	2PS1-UP; 1EB1-UP						
	3G7607		P-UB-10	2-3/4	6-1/2	CTC-2355804	319.76
MODEL 633E II							
BOWL							
	2PS1-UP; 1EB1-UP						
	1313223			2-3/4	7-1/4	CTC-2435814	384.60
	3G9677			2-3/4	7-1/4	CTC-2435814	384.60
EJECTOR							
	2PS1-UP; 1EB1-UP						
	1U0408			4	6-1/2	CTC-2460641	782.05
FLOOR							
	2PS1-UP; 1EB1-UP						
	2T3616		P-UB-10	3	6-1/4	CTC-SK100052	217.09
LOAD							
	2PS1-UP; 1EB1-UP						
	1083591			2-1/2	6-1/2	CTC-2435803	352.46
SERVO							
	2PS1-UP; 1EB1-UP						
	9T6685		I-U-10	3/4	1-1/2	CTC-3651382	57.09
STEERING							
	2PS1-UP; 1EB1-UP						
	3G7607		P-UB-10	2-3/4	6-1/2	CTC-2355804	319.76
MODEL 633SC							
BOWL							
	1313223		P-UB-10	2-3/4	7-1/4	CTC-7X2687	329.74
EJECTOR							
	1U0408		P-UB-10	4	6-1/2	CTC-7X2765	377.11

REPLACEMENT KITS FOR CATERPILLAR® EQUIPMENT

Scrapers							
APPLICATION	CYL #	Misc-Parts, Instructions, etc.	CODE	ROD	BORE	KIT #	List \$
MODEL 633SC							
LIFT							
	3G9677		P-UB-10	2-3/4	7-1/4	CTC-7X2687	329.74
LOAD							
	7J3386		P-UB-10	2-1/2	6	CTC-7X2836	238.35
STEERING							
	5J7806		P-UB-10	2-1/2	6-1/2	CTC-8T1376	127.25
	6J1516		P-UB-10	2-1/2	6-1/2	CTC-8T1376	127.25
	8J3544		P-UB-10	2-1/2	6-1/2	CTC-8T1376	127.25
STEERING RH							
	7J1693		P-UB-10	2-1/2	6-1/2	CTC-8T1376	127.25
MODEL 637B							
APRON							
	8J5931		P-UB-10	3	8-1/4	CTC-7X2695	515.48
BOWL LIFT							
	7J2395		P-UB-10	2-3/4	7-1/4	CTC-7X2687	329.74
	7J2396		P-UB-10	2-3/4	7-1/4	CTC-7X2687	329.74
EJECTOR							
	6J5824		P-V-10	6	8-1/4	CTC-8T1415	473.30
MODEL 637E II							
ACCUMULATOR							
	1FB1-331; 1JB1-431; 1HB1-UP; 1LB1-UP; 7CB1-UP						
			N-N-10		5	CTC-SK100057	48.92
	1FB332-547; 660-UP; 1JB432-UP; 1HB1-UP; 1LB1-UP; 7CB1-UP						
			N-N-10		5	CTC-SK100059	121.63
APRON							
	1FB1-UP; 1JB1-UP; 1HB1-UP; 1LB1-UP; 7CB1-UP						
	8J5931			3	8-1/4	CTC-2442069	516.06
BAIL							
	1FB374-UP; 1JB1-UP; 1HB1-UP; 1LB1-UP; 7CB1-UP						
	4T5638		P-UB-10	1-3/4	3	CTC-2402016	66.44
BOWL							
	1FB1-UP; 1JB1-UP; 1HB1-414; 1LB1-667; 7CB1-83						
	9J0408			2-3/4	7-1/4	CTC-2435820	357.00
	9J0409			2-3/4	7-1/4	CTC-2435820	357.00
	1FB1-UP; 1JB1-UP; 1HB415-UP; 1LB668-UP; 7CB84-UP						
	9J0408			2-3/4	7-1/4	CTC-2435814	384.60
	9J0409			2-3/4	7-1/4	CTC-2435814	384.60
EJECTOR							
	1FB1-UP; 1JB1-UP; 1HB1-UP; 1LB1-UP; 7CB1-UP						
	6E0897	Head 4T9318	I-U-10	6	8-1/4	CTC-1891778	796.99
	6E0897	Head 1715908		6	8-1/4	CTC-2463442	1109.45
	6E0905	Head 4T9318	I-U-10	6	8-1/4	CTC-1891778	796.99
	6E0905	Head 1715908		6	8-1/4	CTC-2463442	1109.45
	6J5824	Head 4T9318	I-U-10	6	8-1/4	CTC-1891778	796.99
	9T3595	Head 4T9318	I-U-10	6	8-1/4	CTC-1891778	796.99
	9T4887	Head 4T9318	I-U-10	6	8-1/4	CTC-1891778	796.99
LOAD							
	1FB1-342; 1JB1-510; 1HB1-UP; 1LB1-UP; 7CB1-UP						
	8J9959			2-1/2	6-1/2	CTC-2435797	330.27
	1FB343-367; 1JB511-665; 1HB1-UP; 1LB1-UP; 7CB1-UP						
	8J9959			2-1/2	6-1/2	CTC-2435803	352.46
	1FB368-563; 1JB666-UP; 1HB1-UP; 1LB1-UP; 7CB1-UP						
	8J9959		P-SP-10	2-1/2	6-1/2	CTC-9X6024	245.47
	1FB564-UP; 1HB1-UP; 1LB1-UP; 7CB1-UP						
	1083591			2-1/2	6-1/2	CTC-2435803	352.46

CATERPILLAR®

REPLACEMENT KITS FOR CATERPILLAR® EQUIPMENT

Scrapers							
APPLICATION	CYL #	Misc-Parts, Instructions, etc.	CODE	ROD	BORE	KIT #	List \$
MODEL 637E II							
SERVO							
1FB1-UP; 1JB1-UP; 1HB1-UP; 1LB1-UP; 7CB1-UP							
4T9364			I-U-10	3/4	1-1/2	CTC-3651382	57.09
9T6685			I-U-10	3/4	1-1/2	CTC-3651382	57.09
STEERING							
1FB1-UP; 1JB1-UP; 1HB1-409; 1LB1-624; 7CB1-81							
3G7607	Head 9J5605		P-UB-10	2-3/4	6-1/2	CTC-2355802	116.19
1FB1-UP; 1JB1-UP; 1HB1-UP; 1LB1-UP; 7CB1-UP							
3G7607	Head 9T6861		P-UB-10	2-3/4	6-1/2	CTC-2355804	319.76
MODEL 637G							
APRON							
AXT1-UP; CEH1-UP; DFJ1-UP; AWE1-UP; AYN1-UP; CEJ1-UP; CEM1-UP; DEX1-UP; DEY1-UP							
8J5931				3	8-1/4	CTC-2442069	516.06
BAIL							
AXT1-UP; CEH1-UP; DFJ1-UP; AWE1-UP; AYN1-UP; CEJ1-UP; CEM1-UP; DEX1-UP; DEY1-UP							
1677434			P-UB-10	1-3/4	3	CTC-2275350	53.51
BOWL							
AXT1-UP; CEH1-UP; DFJ1-UP; AWE1-UP; AYN1-UP; CEJ1-UP; CEM1-UP; DEX1-UP; DEY1-UP							
9J0408				2-3/4	7-1/4	CTC-2435814	384.60
9J0409				2-3/4	7-1/4	CTC-2435814	384.60
EJECTOR							
AXT1-UP; CEH1-UP; DFJ1-UP; AWE1-UP; AYN1-UP; CEJ1-UP; CEM1-UP; DEX1-UP; DEY1-UP							
6E0897				6	8-1/4	CTC-2463442	1109.45
LOAD							
AXT1-UP; CEH1-UP; DFJ1-UP; AWE1-UP; AYN1-UP; CEJ1-UP; CEM1-UP; DEX1-UP; DEY1-UP							
1083591				2-1/2	6-1/2	CTC-2435803	352.46
SERVO							
AXT1-UP; CEH1-UP; DFJ1-UP; AWE1-UP; AYN1-UP; CEJ1-UP; CEM1-UP; DEX1-UP; DEY1-UP							
9T6685			I-U-10	3/4	1-1/2	CTC-3651382	57.09
STEERING							
AXT1-UP; CEH1-UP; DFJ1-UP; AWE1-UP; AYN1-UP; CEJ1-UP; CEM1-UP; DEX1-UP; DEY1-UP							
3G7607			P-UB-10	2-3/4	6-1/2	CTC-2355804	319.76
MODEL 637SC							
APRON							
8J5931			P-UB-10	3	8-1/4	CTC-7X2695	515.48
BAIL							
7J2377			P-U-10	2	3-1/2	CTC-7X2806	194.12
8J6064			P-U-10	2	3-1/2	CTC-7X2806	194.12
EJECTOR							
6E0897			I-U-10	6	8-1/4	CTC-1180672	812.39
6E0905			I-U-10	6	8-1/4	CTC-1180672	812.39
6J5824			I-U-10	6	8-1/4	CTC-1180672	812.39
6J5824			P-V-10	6	8-1/4	CTC-8T1415	473.30
9T3595			I-U-10	6	8-1/4	CTC-1180672	812.39
9T4887			I-U-10	6	8-1/4	CTC-1180672	812.39
LIFT LH							
7J2396			P-UB-10	2-3/4	7-1/4	CTC-7X2687	329.74
9J0409			P-UB-10	2-3/4	7-1/4	CTC-7X2687	329.74
LIFT RH							
7J2395			P-UB-10	2-3/4	7-1/4	CTC-7X2687	329.74
9J0408			P-UB-10	2-3/4	7-1/4	CTC-7X2687	329.74
LOAD							
7J3386			P-UB-10	2-1/2	6	CTC-7X2836	238.35
STEERING							
3G7607			P-UB-10	2-3/4	6-1/2	CTC-7X2689	257.61
5J7806			P-UB-10	2-1/2	6-1/2	CTC-8T1376	127.25

REPLACEMENT KITS FOR CATERPILLAR® EQUIPMENT

Scrapers							
APPLICATION	CYL #	Misc-Parts, Instructions, etc.	CODE	ROD	BORE	KIT #	List \$
MODEL 639SC							
EJECTOR							
	3G2949		P-UB-10	2-1/2	4-1/2	CTC-7X2667	152.83
LIFT							
	3G9677		P-UB-10	2-3/4	7-1/4	CTC-7X2687	329.74
MODEL 641SC							
BOWL							
	6J1983		P-UB-10	3	8-1/4	CTC-7X2695	515.48
BOWL LH							
	7J4364		P-UB-10	3	8-1/4	CTC-7X2695	515.48
BOWL RH							
	7J4363		P-UB-10	3	8-1/4	CTC-7X2695	515.48
LOAD							
	5J8623		P-UB-10	3-1/2	8-1/4	CTC-7X2728	279.89
	7J4623		P-UB-10	3-1/2	8-1/4	CTC-7X2725	496.51
MODEL 651C							
APRON							
	5J8117		P-UB-10	3-1/4	9-1/4	CTC-7X2708	326.06
STEERING							
	3G9689		P-UB-10	2-3/4	7-1/4	CTC-7X2687	329.74
	5J8149		P-UB-10	2-3/4	7-1/4	CTC-7X2687	329.74
MODEL 651E							
APRON							
	3G8621		P-UB-10	3-1/4	9-1/4	CTC-7X2708	326.06
	4YR1-UP; 89Z1-UP; 5XR1-UP; 88Z205-UP						
	3G8621			3-1/4	9-1/4	CTC-2450603	593.04
	4YR1-UP; 89Z1-UP; 88Z1-204						
	3G8621			3-1/4	9-1/4	CTC-2450602	566.16
BOWL LH							
	4YR1-UP; 89Z1-UP; 5XR1-UP; 88Z160-UP						
	4T5735			3-1/4	9-1/4	CTC-2450609	450.37
	4YR1-UP; 89Z1-UP; 88Z1-159						
	4T5735			3-1/4	9-1/4	CTC-2450607	434.56
BOWL LIFT							
	4T5735		P-UB-10	3-1/4	9-1/4	CTC-7X2716	255.35
	4T5736		P-UB-10	3-1/4	9-1/4	CTC-7X2716	255.35
BOWL RH							
	4YR1-UP; 89Z1-UP; 5XR1-UP; 88Z156-UP						
	4T5736			3-1/4	9-1/4	CTC-2450609	450.37
	4YR1-UP; 89Z1-UP; 88Z1-155						
	4T5736			3-1/4	9-1/4	CTC-2450607	434.56
CUSHION HITCH							
	3G8757		P-UB-10	3-1/2	8-1/4	CTC-7X2724	325.05
EJECTOR							
	4YR1-UP; 89Z1-UP; 5XR1-UP; 88Z1-UP						
	3G8617		I-UB-10	7-1/4	10-1/4	CTC-1891796	1155.04
	4YR1-UP; 89Z1-UP; 5XR207-UP						
	3G8827		I,P-UB-10	4-1/2,6-3/4	6,7-3/4	CTC-2456819	1424.01
	4YR1-UP; 89Z1-UP; 88Z1-UP						
	3G8617		P-V-10	7-1/4	10-1/4	CTC-2481193	995.61
LOAD							
	3G8757		P-UB-10	3-1/2	8-1/4	CTC-7X2724	325.05
	4YR1-UP; 89Z1-UP; 5XR1-UP; 88Z1-UP						
	3G8757	Head 9T5702	P-UB-10	3-1/2	8-1/4	CTC-2456830	357.35
	3G8757	Head 1627522	P-UB-10	3-1/2	8-1/4	CTC-SK100051	286.20

REPLACEMENT KITS FOR CATERPILLAR® EQUIPMENT

Scrapers							
APPLICATION	CYL #	Misc-Parts, Instructions, etc.	CODE	ROD	BORE	KIT #	List \$
MODEL 651E							
PUMP							
4YR; 25W; 58K; 65K; 66K; 67K; 68K							
	9J5044					CTC-9J5108	64.20
SERVO							
4YR1-UP; 89Z1-UP; 5XR1-UP; 88Z1-UP							
	1U3895		I-U-10	3/4	1-1/2	CTC-3651382	57.09
	4T9364		I-U-10	3/4	1-1/2	CTC-3651382	57.09
	9T6685		I-U-10	3/4	1-1/2	CTC-3651382	57.09
STEERING							
	3G5516		P-UB-10	3-1/4	7-1/4	CTC-7X2718	309.63
	3G9689		P-UB-10	2-3/4	7-1/4	CTC-7X2687	329.74
	4T8563		P-UB-10	3-1/4	7-1/4	CTC-7X2718	309.63
89Z1-129; 88Z115-172							
	3G5516			3-1/4	7-1/4	CTC-2450613	363.05
	4T8563			3-1/4	7-1/4	CTC-2450613	363.05
89Z130-UP; 5XR1-UP; 88Z173-UP							
	4T8563			3-1/4	7-1/4	CTC-2450614	354.10
MODEL 651SC							
APRON							
	3G8621		P-UB-10	3-1/4	9-1/4	CTC-7X2708	326.06
BOWL							
	7J4398		P-UB-10	3-1/4	9-1/4	CTC-7X2716	255.35
BOWL LH							
	4T5735		P-UB-10	3-1/4	9-1/4	CTC-7X2716	255.35
LOAD							
	5J8623		P-UB-10	3-1/2	8-1/4	CTC-7X2728	279.89
	7J4623		P-UB-10	3-1/2	8-1/4	CTC-7X2725	496.51
STEERING							
	4T8563		P-UB-10	3-1/4	7-1/4	CTC-7X2718	309.63
MODEL 657E							
APRON							
	3G8621		P-UB-10	3-1/4	9-1/4	CTC-7X2708	326.06
5YR1-UP; 6TR1-UP; 90Z1-UP; 91Z1-UP; 6MB1-108; 86Z1-311; 87Z1-UP							
	3G8621			3-1/4	9-1/4	CTC-2450602	566.16
5YR1-UP; 6TR1-UP; 90Z1-UP; 91Z1-UP; 6PR1-UP; 6MB109-UP; 7KR1-UP; 86Z312-UP							
	3G8621			3-1/4	9-1/4	CTC-2450603	593.04
BAIL							
	4T5638		P-UB-10	1-3/4	3	CTC-7X2791	141.74
	8J8458		P-UB-10	1-1/2	3-1/2	CTC-7X2752	152.63
5YR1-UP; 91Z196-UP; 6MB1-UP; 6PR1-UP; 7KR1-UP; 86Z1-UP; 87Z1-UP							
	4T5638		P-UB-10	1-3/4	3	CTC-2402016	66.44
91Z1-195; 6MB1-UP; 6PR1-UP; 7KR1-UP; 86Z1-UP; 87Z1-UP							
	8J8458		P-UB-10	1-1/2	3-1/2	CTC-2465914	124.13
BOWL LIFT							
	4T5735		P-UB-10	3-1/4	9-1/4	CTC-7X2716	255.35
	4T5736		P-UB-10	3-1/4	9-1/4	CTC-7X2716	255.35
5YR1-UP; 6TR1-UP; 90Z1-UP; 91Z1-UP; 6MB1-92; 86Z1-242; 87Z1-UP							
	4T5735			3-1/4	9-1/4	CTC-2450607	434.56
	4T5736			3-1/4	9-1/4	CTC-2450607	434.56
5YR1-UP; 6TR1-UP; 90Z1-UP; 91Z1-UP; 6MB93-UP; 6PR1-UP; 7KR1-UP; 86Z243-UP							
	4T5735			3-1/4	9-1/4	CTC-2450609	450.37
	4T5736			3-1/4	9-1/4	CTC-2450609	450.37
CUSHION HITCH							
	3G8757		P-UB-10	3-1/2	8-1/4	CTC-7X2724	325.05

REPLACEMENT KITS FOR CATERPILLAR® EQUIPMENT

Scrapers							
APPLICATION	CYL #	Misc-Parts, Instructions, etc.	CODE	ROD	BORE	KIT #	List \$
MODEL 657E							
EJECTOR							
	9T4886		P-U-10	4-1/2	6	CTC-8C6958	414.20
	9T4887		I-U-10	6	8-1/4	CTC-1180672	812.39
	9T4887		P-V-10	6	8-1/4	CTC-8T1415	473.30
	5YR1-UP; 6TR1-UP; 90Z1-UP; 91Z1-UP; 6MB1-UP; 6PR1-UP; 7KR1-UP; 86Z1-UP; 87Z1-UP		I,P-UB-10	4-1/2,6-3/4	6,7-3/4	CTC-2456819	1424.01
	9T4886		P-U-10	4-1/2	6	CTC-8C6958	414.20
LOAD							
	3G8757		P-UB-10	3-1/2	8-1/4	CTC-7X2724	325.05
	5YR1-UP; 6TR1-UP; 90Z1-UP; 91Z1-UP; 6MB1-UP; 6PR1-UP; 7KR1-UP; 86Z1-UP; 87Z1-UP		P-UB-10	3-1/2	8-1/4	CTC-2456830	357.35
SERVO							
	5YR1-UP; 6TR1-UP; 90Z1-UP; 91Z1-UP; 6MB1-UP; 6PR1-UP; 7KR1-UP; 86Z1-UP; 87Z1-UP						
	1U3895		I-U-10	3/4	1-1/2	CTC-3651382	57.09
	4T9364		I-U-10	3/4	1-1/2	CTC-3651382	57.09
	9T6685		I-U-10	3/4	1-1/2	CTC-3651382	57.09
STEERING							
	3G5516		P-UB-10	3-1/4	7-1/4	CTC-7X2718	309.63
	4T8563		P-UB-10	3-1/4	7-1/4	CTC-7X2718	309.63
	5YR1-UP; 6TR1-UP; 90Z1-UP; 91Z1-UP; 6MB102-UP; 6PR1-UP; 7KR1-UP; 86Z275-UP						
	4T8563			3-1/4	7-1/4	CTC-2450614	354.10
	91Z1-244; 6MB73-101; 86Z145-274; 87Z1-UP; 90Z1-179						
	3G5516			3-1/4	7-1/4	CTC-2450613	363.05
	4T8563			3-1/4	7-1/4	CTC-2450613	363.05
MODEL 657G							
APRON							
	A4G1-UP; W1B1-UP; W1C1-UP; GER1-UP; W1E1-UP; W1F1-UP						
				3-1/4	9-1/4	CTC-2450603	593.04
BAIL							
	W1C1-UP; GER1-UP; W1E1-UP; W1F1-UP						
			P-UB-10	1-3/4	3	CTC-2275350	53.51
BOWL							
	A4G1-UP; W1B1-UP; W1C1-UP; GER1-UP; W1E1-UP; W1F1-UP						
				3-1/4	9-1/4	CTC-2450609	450.37
EJECTOR							
	A4G1-UP; W1B1-UP; W1C1-UP; GER1-UP						
			P-U-10	4-1/2	6	CTC-8C6958	414.20
	A4G1-UP; W1B1-UP; W1C1-UP; W1F1-UP						
			I,P-UB-10	4-1/2,6-3/4	6,7-3/4	CTC-2456819	1424.01
LOAD							
	A4G1-UP; W1B1-UP; W1C1-UP; GER1-UP; W1E1-UP; W1F1-UP						
			P-UB-10	3-1/2	8-1/4	CTC-2456830	357.35
SERVO							
	A4G1-UP; W1B1-UP; W1C1-UP; GER1-UP; W1E1-UP; W1F1-UP						
			I-U-10	3/4	1-1/2	CTC-3651382	57.09
STEERING							
	A4G1-UP; W1B1-UP; W1C1-UP; GER1-UP; W1E1-UP; W1F1-UP						
				3-1/4	7-1/4	CTC-2450614	354.10
MODEL 657SC							
APRON							
	3G8621		P-UB-10	3-1/4	9-1/4	CTC-7X2708	326.06
	5J8117		P-UB-10	3-1/4	9-1/4	CTC-7X2708	326.06

REPLACEMENT KITS FOR CATERPILLAR® EQUIPMENT

Scrapers							
APPLICATION	CYL #	Misc-Parts, Instructions, etc.	CODE	ROD	BORE	KIT #	List \$
MODEL 657SC							
BAIL							
	7J2377		P-U-10	2	3-1/2	CTC-7X2806	194.12
	8J6062		P-U-10	2	3-1/2	CTC-7X2806	194.12
	8J8457		P-UB-10	1-1/2	3-1/2	CTC-7X2752	152.63
BOWL							
	7J4398		P-UB-10	3-1/4	9-1/4	CTC-7X2716	255.35
BOWL LH							
	4T5735		P-UB-10	3-1/4	9-1/4	CTC-7X2716	255.35
BOWL RH							
	7J4397		P-UB-10	3-1/4	9-1/4	CTC-7X2716	255.35
LOAD							
	5J8623		P-UB-10	3-1/2	8-1/4	CTC-7X2728	279.89
	7J4623		P-UB-10	3-1/2	8-1/4	CTC-7X2725	496.51
STEERING							
	4T8563		P-UB-10	3-1/4	7-1/4	CTC-7X2718	309.63
MODEL 660SC, 666SC							
BOWL LH							
	7J4356		P-UB-10	3-1/4	9-1/4	CTC-7X2716	255.35
Skidders							
APPLICATION	CYL #	Misc-Parts, Instructions, etc.	CODE	ROD	BORE	KIT #	List \$
MODEL 515, 525							
LIFT							
	1117951		P-UB-10	2	4	CTC-1113302	190.32
	1397547		P-UB-10	2	4	CTC-1113302	190.32
MODEL 517							
ANGLING							
	1006174		P-UB-10	1-3/4	3-1/2	CTC-7X2784	114.46
LIFT							
	6E0365		P-UB-10	2	4-1/4	CTC-7X2819	168.18
TILT							
	9T9557		P-UB-10	2	4-1/4	CTC-1378662	205.36
MODEL 518C, 520D, 522C							
LIFT							
	1117951		P-UB-10	2	4	CTC-1113302	190.32
	1397547		P-UB-10	2	4	CTC-1113302	190.32
	7J8925	518C & 522C only	P-UB-10	2	4	CTC-1328816	148.39
STEERING LH							
	7J3350		P-UB-10	1-3/4	3	CTC-7X2825	85.90
STEERING RH							
	7J3349		P-UB-10	1-3/4	3	CTC-7X2825	85.90
MODEL 520C							
LIFT							
	7J8925		P-UB-10	2	4	CTC-7X2789	163.22
STEERING RH							
	7J3349		P-UB-10	1-3/4	3	CTC-7X2791	141.74
MODEL 525B							
LIFT							
	1600492		P-UB-10	2-1/4	4	CTC-1546526	228.66
MODEL 527							
LIFT							
	1418640		P-UB-10	2-1/4	3-3/4	CTC-1361897	215.59
	1607610		P-UB-10	2-1/2	4-3/4	CTC-1328811	244.68
	6E0366		P-UB-10	2-1/2	4-3/4	CTC-1328811	244.68
MODEL 528B							
DOZER							
	7J9902		P-UB-10	2	4-1/4	CTC-7X2819	168.18

REPLACEMENT KITS FOR CATERPILLAR® EQUIPMENT

Skidders							
APPLICATION	CYL #	Misc-Parts, Instructions, etc.	CODE	ROD	BORE	KIT #	List \$
MODEL 528B							
STEERING LH							
	9J5856		P-UB-10	1-3/4	3-3/4	CTC-1329361	69.28
STEERING RH							
	9J5854		P-UB-10	1-3/4	3-3/4	CTC-1329361	69.28
MODEL 530B							
DOZER							
	7J9902		P-UB-10	2	4-1/4	CTC-7X2819	168.18
LIFT							
	7J9902		P-UB-10	2	4-1/4	CTC-7X2819	168.18
STEERING							
	9J5854		P-UB-10	1-3/4	3-3/4	CTC-1329361	69.28
	9J5856		P-UB-10	1-3/4	3-3/4	CTC-1329361	69.28
MODEL 535B, 545							
LIFT							
	1600492		P-UB-10	2-1/4	4	CTC-1546526	228.66
MODEL FB508							
GRAPPLE							
	4T0860		P-UB-10	1-1/2	3-1/4	CTC-7X2741	115.97
	4T0861		P-UB-10	1-1/2	3-1/4	CTC-7X2741	115.97
	9T5924		P-UB-10	1-1/2	3-1/4	CTC-7X2741	115.97
MODEL FB518							
LIFT							
	9T1773		P-UB-10	2-1/2	5	CTC-7X2658	269.30
STEERING							
	7J3349		P-UB-10	1-3/4	3	CTC-7X2791	141.74
	7J3350		P-UB-10	1-3/4	3	CTC-7X2791	141.74
TILT LH							
	9T1777		P-UB-10	2-1/4	4-1/4	CTC-7X2750	183.01
TILT RH							
	9T1772		P-UB-10	2-1/4	4-1/4	CTC-7X2750	183.01
Soil Compactors							
APPLICATION	CYL #	Misc-Parts, Instructions, etc.	CODE	ROD	BORE	KIT #	List \$
MODEL 815							
LIFT							
	3G0881		P-UB-10	2	4	CTC-7X2789	163.22
	8J6809		P-UB-10	2	4	CTC-7X2755	182.47
	8J8756		P-UB-10	2	4	CTC-7X2789	163.22
LIFT RH							
	4J7859		P-UB-10	2	4	CTC-7X2755	182.47
PUMP							
	15R; 57U; 91P						
	9J5067					CTC-9J5114	43.00
STEERING							
	4T1574		P-UB-10	2	4	CTC-1328816	148.39
	4T1574		P-UB-10	2	4	CTC-7X2789	163.22
	7J6054		P-UB-10	2	4	CTC-7X2755	182.47
STEERING LH							
	7J9356		P-UB-10	2	4	CTC-7X2755	182.47
STEERING RH							
	7J9355		P-UB-10	2	4	CTC-7X2755	182.47
TILT							
	1U1988		P-UB-10	2	4	CTC-7X2755	182.47
MODEL 815B							
LIFT							
	3G0881		P-UB-10	2	4	CTC-1328816	148.39
	8J6809		P-UB-10	2	4	CTC-7X2755	182.47

REPLACEMENT KITS FOR CATERPILLAR® EQUIPMENT

Soil Compactors							
APPLICATION	CYL #	Misc-Parts, Instructions, etc.	CODE	ROD	BORE	KIT #	List \$
MODEL 815B							
STEERING							
	4T1574		P-UB-10	2	4	CTC-1328816	148.39
	6E5024		P-UB-10	2	4	CTC-1113302	190.32
TILT							
	1U1988		P-UB-10	2	4	CTC-7X2755	182.47
MODEL 815F							
LIFT							
	3G0881		P-UB-10	2	4	CTC-1328816	148.39
STEERING							
	4T1574		P-UB-10	2	4	CTC-1328816	148.39
	6E5024		P-UB-10	2	4	CTC-1113302	190.32
MODEL 815S							
TILT							
	1U1988		P-UB-10	2	4	CTC-7X2755	182.47
MODEL 825							
LIFT							
	8J2650		P-UB-10	2	4-1/2	CTC-7X2768	141.85
	9J7934		P-UB-10	2	4-1/2	CTC-7X2768	141.85
STEERING LH							
	9J7087		P-UB-10	2-1/4	5	CTC-7X2729	259.72
STEERING RH							
	9J7086		P-UB-10	2-1/4	5	CTC-7X2729	259.72
TILT							
	9J7951		P-UB-10	2	4-1/2	CTC-7X2768	141.85
MODEL 825B							
LIFT							
	4J9233		P-V-10	2	4-1/2	CTC-7X2770	156.70
	7J9818		P-UB-10	3	7-1/4	CTC-7X2699	329.85
	8J2650		P-UB-10	2	4-1/2	CTC-7X2768	141.85
	9J7934		P-UB-10	2	4-1/2	CTC-7X2768	141.85
STEERING							
	6J7590		P-UB-10	2-1/4	5	CTC-7X2729	259.72
	7J9718		P-UB-10	2-1/4	5	CTC-7X2729	259.72
	7K9401		P-UB-10	2-1/4	5	CTC-7X2729	259.72
STEERING LH							
	9J7087		P-UB-10	2-1/4	5	CTC-7X2729	259.72
STEERING RH							
	9J7086		P-UB-10	2-1/4	5	CTC-7X2729	259.72
TILT							
	9J7951		P-UB-10	2	4-1/2	CTC-7X2768	141.85
MODEL 825C							
LIFT							
	7J9818		P-UB-10	3	7-1/4	CTC-7X2699	329.85
	8J2650		P-UB-10	2	4-1/2	CTC-7X2768	141.85
	9J7934		P-UB-10	2	4-1/2	CTC-7X2768	141.85
STEERING LH							
	9J7087		P-UB-10	2-1/4	5	CTC-9X6392	255.99
STEERING RH							
	9J7086		P-UB-10	2-1/4	5	CTC-9X6392	255.99
TILT							
	9J7951		P-UB-10	2	4-1/2	CTC-7X2768	141.85
MODEL 825G							
LIFT							
	1199226		P-UB-10	2-1/4	3-3/4	CTC-1361897	215.59
	1447349		P-UB-10	2-1/4	3-3/4	CTC-1361897	215.59
	1493236		P-UB-10	2-1/4	3-3/4	CTC-1361897	215.59

REPLACEMENT KITS FOR CATERPILLAR® EQUIPMENT

Soil Compactors							
APPLICATION	CYL #	Misc-Parts, Instructions, etc.	CODE	ROD	BORE	KIT #	List \$
MODEL 825G							
STEERING							
	1175151		P-UB-10	2-1/2	4-1/2	CTC-1113300	218.49
TILT							
	1198863		P-UB-10	2	3-3/4	CTC-7X7938	167.35
MODEL 835							
LIFT							
	4J9233		P-V-10	2	4-1/2	CTC-7X2770	156.70
STEERING							
	7J9984		P-UB-10	2-1/4	5	CTC-7X2729	259.72
Telehandlers							
APPLICATION	CYL #	Misc-Parts, Instructions, etc.	CODE	ROD	BORE	KIT #	List \$
MODEL TH62, TH63, TH82, TH83							
MULTIPURPOSE BUCKET							
	9T4006		P-UB-10	1-1/2	3	CTC-1856583	73.27
UNSPECIFIED APPLICATION							
	9T4006		P-UB-10	1-1/2	3	CTC-7X2737	173.75
MODEL TH355B							
AXLE LOCK							
	SLE1- 2050055		P-U-10	2	100 mm	CTC-4394536	121.72
BOOM							
	SLE1-4499 2028910		P-U-10	4	5-1/4	CTC-4394330	218.05
	SLE1-4499; JRK1- 2251846		P-U-10	4	5-1/4	CTC-2251846K	222.95
	SLE4500- 2533933		P-U-10	4	5-1/4	CTC-2533933K	222.95
	2533964		P-U-10	4	5-1/4	CTC-2533964K	222.95
BUCKET MULTIPURPOSE							
	SLE1-; JRK1- 9T4006		P-UB-10	1-1/2	3	CTC-1856583	73.27
CARRIAGE - Side Shift							
	SLE1-; JRK1- 2245091		P-UB-10	1-1/2	3	CTC-2245091K	53.62
COUPLER							
	SLE1- 2364442		P-U-10	25 mm	50 mm	CTC-2392956	53.94
FORK							
	SLE1-; JRK1- 2799336		P-U-10	75 mm	125 mm	CTC-2799336K	232.00
FRAME LEVELING							
	SLE4500-; JRK1- 2047813		P-U-10	2	100 mm	CTC-4394536	121.72
STABILIZER							
	SLE1- 2598723		P-U-10	55 mm	115 mm	CTC-2598723K	181.48
	SLE1-; JRK1- 2072068		P-U-10	55 mm	125 mm	CTC-4395349	233.41
STEERING							
	SLE1-; JRK1- 2167483		I-U-10	38 mm	85 mm	CTC-2172886	216.10
TAIL GATE							
	SLE1- 2037847	HEAD 2037855	P-U-10	45 mm	75 mm	CTC-2037847K2	86.40
	SLE1-; JRK1- 2037847	HEAD 1662843	P-U-10	45 mm	75 mm	CTC-4398573	74.80

REPLACEMENT KITS FOR CATERPILLAR® EQUIPMENT

Telehandlers							
APPLICATION	CYL #	Misc-Parts, Instructions, etc.	CODE	ROD	BORE	KIT #	List \$
MODEL TH355B							
TELESCOPING							
SLE1-1231							
	2319220		P-U-10	70 mm	100 mm	CTC-2331014	128.50
SLE1232-							
	2413160		P-U-10	70 mm	100 mm	CTC-2331014	128.50
TILT							
SLE1-; JRK1-							
	2037756		P-U-10	75 mm	125 mm	CTC-4393847	226.90
MODEL TH360B							
AXLE LOCK							
SLE1-							
	2050055		P-U-10	2	100 mm	CTC-4394536	121.72
BOOM							
SLE1-4499							
	2028910		P-U-10	4	5-1/4	CTC-4394330	218.05
SLE1-4499; JRK1-							
	2251846		P-U-10	4	5-1/4	CTC-2251846K	222.95
SLE4500-							
	2533933		P-U-10	4	5-1/4	CTC-2533933K	222.95
	2533964		P-U-10	4	5-1/4	CTC-2533964K	222.95
BUCKET MULTIPURPOSE							
SLE1-; JRK1-							
	9T4006		P-UB-10	1-1/2	3	CTC-1856583	73.27
CARRIAGE - Side Shift							
SLE1-; JRK1-							
	2245091		P-UB-10	1-1/2	3	CTC-2245091K	53.62
COUPLER							
SLE1-							
	2364442		P-U-10	25 mm	50 mm	CTC-2392956	53.94
FORK							
SLE1-; JRK1-							
	2799336		P-U-10	75 mm	125 mm	CTC-2799336K	232.00
FRAME LEVELING							
SLE4500-; JRK1-							
	2047813		P-U-10	2	100 mm	CTC-4394536	121.72
STABILIZER							
SLE1-							
	2598723		P-U-10	55 mm	115 mm	CTC-2598723K	181.48
SLE1-; JRK1-							
	2072068		P-U-10	55 mm	125 mm	CTC-4395349	233.41
STEERING							
SLE1-; JRK1-							
	2167483		I-U-10	38 mm	85 mm	CTC-2172886	216.10
TAIL GATE							
SLE1-							
	2037847	HEAD 2037855	P-U-10	45 mm	75 mm	CTC-2037847K2	86.40
SLE1-; JRK1-							
	2037847	HEAD 1662843	P-U-10	45 mm	75 mm	CTC-4398573	74.80
TELESCOPING							
SLE1-1231							
	2319220		P-U-10	70 mm	100 mm	CTC-2331014	128.50
SLE1232-							
	2413160		P-U-10	70 mm	100 mm	CTC-2331014	128.50
TILT							
SLE1-; JRK1-							
	2037756		P-U-10	75 mm	125 mm	CTC-4393847	226.90

REPLACEMENT KITS FOR CATERPILLAR® EQUIPMENT

Telehandlers							
APPLICATION	CYL #	Misc-Parts, Instructions, etc.	CODE	ROD	BORE	KIT #	List \$
MODEL TL642							
CARRIAGE - Dual Fork Positioning							
	TBK00100-						
	4179881		I-U-4	1-1/8	2	CTC-4179889	147.70
CARRIAGE - Side Shift							
	TBK00100-						
	3622120		I-U-10	1-1/4	2-1/2	CTC-3276314	28.50
CARRIAGE - Swing							
	TBK00100-						
	3755001		I-U-10	1-1/4	2-1/2	CTC-3276314	28.50
OUTRIGGER							
Before TBK01162							
	2991323	Head 3052089, Piston 3052088	P-UB-10	2-1/2	5	CTC-2991323K1	81.69
	TBK01162-						
	2991323	Head 4176015, Piston 4176009	I-U-10	2-1/2	5	CTC-4176026	111.83
QUICK COUPLER							
	TBK00100-						
	2953419		P-U-10	25 mm	50 mm	CTC-3056015	65.85
MODEL TL943							
CARRIAGE - Dual Fork Positioning							
	TBL00100-						
	4179881	Kit includes Rod Gland.	I-U-4	1-1/8	2	CTC-4179889	147.70
CARRIAGE - Side Shift							
	TBL00100-						
	3622120		I-U-10	1-1/4	2-1/2	CTC-3276314	28.50
CARRIAGE - Swing							
	TBL00100-						
	3755001		I-U-10	1-1/4	2-1/2	CTC-3276314	28.50
COMPENSATING							
Before TBL00990							
	2988649		P-UB-14	2-1/2	5-1/2	CTC-2990530	285.97
	TBL00990-						
	3249539		P-UB-14	2-1/2	5-1/2	CTC-3249539K	262.45
CROWD							
Before TBL01001							
	2988618		P-UB-14	3	4	CTC-2990516	207.98
	TBL01001-						
	3248347		P-UB-14	3	4	CTC-3858057	137.73
LIFT							
Before TBL00970							
	2988627		P-UB-14	3-3/4	7	CTC-2990515	342.51
	TBL00970-01598, excluding 01551, 01585						
	3249540		P-UB-14	3-3/4	7	CTC-3631202	319.50
	TBL01599-, including 01551, 01585						
	3612843		P-UB-14	3-3/4	7	CTC-3631202	319.50
	3612867		P-UB-14	3-3/4	7	CTC-3631202	319.50
OUTRIGGER							
Before TBL01591, excluding 1585							
	2991323	Head 3052089, Piston 3052088	P-UB-10	2-1/2	5	CTC-2991323K1	81.69
	TBL01591-, including 1585						
	2991323	Head 4176015, Piston 4176009	I-U-10	2-1/2	5	CTC-4176026	111.83
QUICK COUPLER							
	TBL00100-						
	2953419		P-U-10	25 mm	50 mm	CTC-3056015	65.85
STEERING							
	TBL00100-						
	3052050		I-U-10	50 mm	100 mm	CTC-3044561	83.72

REPLACEMENT KITS FOR CATERPILLAR® EQUIPMENT

Telehandlers							
APPLICATION	CYL #	Misc-Parts, Instructions, etc.	CODE	ROD	BORE	KIT #	List \$
MODEL TL943							
SWAY							
Before TBL00944							
	2988626		P-UB-14	2	4	CTC-2990517	237.65
TBL00944-							
	3248346		P-UB-14	2	4	CTC-3248346K	176.91
TILT							
Before TBL00970							
	2988648		P-UB-14	2-1/2	5-1/2	CTC-2990529	256.68
TBL00970-							
	3249541		P-UB-14	2-1/2	5-1/2	CTC-3249541K	240.13
MODEL TL1055							
CARRIAGE - Dual Fork Positioning							
TBM00100-							
	4179881		I-U-4	1-1/8	2	CTC-4179889	147.70
CARRIAGE - Side Shift							
TBM00100-							
	3622120		I-U-10	1-1/4	2-1/2	CTC-3276314	28.50
CARRIAGE - Swing							
TBM00100-							
	3755001		I-U-10	1-1/4	2-1/2	CTC-3276314	28.50
COMPENSATING							
TBM00100-00556							
	2988461		P-UB-14	2-1/2	5-3/4	CTC-3353866	362.01
TBM00557-00841, excluding 00839							
	3250044		P-UB-14	2-1/2	5-3/4	CTC-3418115	478.32
TBM00842-01376, including 00839							
	3313808		P-UB-14	2-1/2	5-3/4	CTC-3418115	478.32
TBM01377-							
	3963661		P-U-14	2-1/2	5-3/4	CTC-4175758	270.39
CROWD							
TBM00100-00631							
	2988459		P-UB-14	3	4-3/4	CTC-2990477	353.25
TBM00632-00809							
	3250042		P-UB-14	3	4-3/4	CTC-3417059	300.46
TBM00810-01365							
	3313806		P-UB-14	3	4-3/4	CTC-3417059	300.46
TBM01366-							
	4186275		P-UB-14	3	4-3/4	CTC-4186276	220.94
LIFT							
TBM00100-00604							
	2988462		P-UB-14	3-1/2	5-1/2	CTC-2990481	425.52
TBM00605-00823							
	3250045		P-UB-14	3-1/2	5-1/2	CTC-3418110	425.37
TBM00824-01380							
	3313805		P-UB-14	3-1/2	5-1/2	CTC-3418110	425.37
TBM01381-							
	3912076		P-UB-14	3-1/2	5-1/2	CTC-3912080	286.24
OUTRIGGER							
-TBM01285							
	2980609		P-UB-10	2-1/2	5	CTC-3151126	76.36
TBM01286-							
	3808343		I-U-10	2-1/2	5	CTC-4176026	111.83
QUICK COUPLER							
TBM00100-							
	2953419		P-U-10	25 mm	50 mm	CTC-3056015	65.85

REPLACEMENT KITS FOR CATERPILLAR® EQUIPMENT

Telehandlers							
APPLICATION	CYL #	Misc-Parts, Instructions, etc.	CODE	ROD	BORE	KIT #	List \$
MODEL TL1055							
STABILIZER							
TBM00100-00546							
2988657			P-UB-14	2	4	CTC-2990480	243.86
TBM00547-00834							
3250038			P-UB-14	2	4	CTC-3417048	220.05
TBM00835-01285, including 01295-01299							
3313809			P-UB-14	2	4	CTC-3417048	220.05
TBM01286-, excluding 01295-01299							
3808345			P-UB-14	2	4	CTC-4175006	231.92
STEERING							
TBM00100-							
3052050			I-U-10	50 mm	100 mm	CTC-3044561	83.72
SWAY							
TBM00100-00509							
2988656			P-UB-14	2	4	CTC-2990480	243.86
TBM00510-00837, excluding 00817-00820							
3250037			P-UB-14	2	4	CTC-3417048	220.05
TBM00838-01285, including 00817-00820, 01289-01290, 01296							
3313801			P-UB-14	2	4	CTC-3417048	220.05
TBM01286-, excluding 01289-01290, 01296							
3808344			P-UB-14	2	4	CTC-4175006	231.92
TILT							
TBM00100-00631							
2988460			P-UB-14	2-1/2	5-3/4	CTC-3353866	362.01
TBM00632-00809							
3250043			P-UB-14	2-1/2	5-3/4	CTC-3418115	478.32
TBM00810-01080, excluding 01074							
3313807			P-UB-14	2-1/2	5-3/4	CTC-3418115	478.32
TBM01081-01391, including 01074, excluding 01372-01376							
3422650			P-UB-14	2-1/2	5-3/4	CTC-3418115	478.32
TBM01392-, including 01372-01376							
3963663			P-U-14	2-1/2	5-3/4	CTC-4175758	270.39
MODEL TL1255							
CARRIAGE - Dual Fork Positioning							
TBN00100-							
4179881			I-U-4	1-1/8	2	CTC-4179889	147.70
CARRIAGE - Side Shift							
TBN00100-							
3622120			I-U-10	1-1/4	2-1/2	CTC-3276314	28.50
CARRIAGE - Swing							
TBN00100-							
3755001			I-U-10	1-1/4	2-1/2	CTC-3276314	28.50
CROWD							
TBN00100-00335							
2988459			P-UB-14	3	4-3/4	CTC-2990477	353.25
TBN00336-00413							
3250042			P-UB-14	3	4-3/4	CTC-3417059	300.46
TBN00414-00846							
3313806			P-UB-14	3	4-3/4	CTC-3417059	300.46
TBN00847-							
4186275			P-UB-14	3	4-3/4	CTC-4186276	220.94
OUTRIGGER							
-TBN00775							
2980609			P-UB-10	2-1/2	5	CTC-3151126	76.36
TBN00776-							
3808343			I-U-10	2-1/2	5	CTC-4176026	111.83

REPLACEMENT KITS FOR CATERPILLAR® EQUIPMENT

Telehandlers							
APPLICATION	CYL #	Misc-Parts, Instructions, etc.	CODE	ROD	BORE	KIT #	List \$
MODEL TL1255							
QUICK COUPLER							
	TBN00100-2953419		P-U-10	25 mm	50 mm	CTC-3056015	65.85
STABILIZER							
	TBN00100-00313						
	2988657		P-UB-14	2	4	CTC-2990480	243.86
	TBN00314-00429						
	3250038		P-UB-14	2	4	CTC-3417048	220.05
	TBN00430-00774, including 00780-00781, 00783-00784						
	3313809		P-UB-14	2	4	CTC-3417048	220.05
	TBN00775-, excluding 00780-00781, 00783-00784						
	3808345		P-UB-14	2	4	CTC-4175006	231.92
STEERING							
	TBN00100-3052050		I-U-10	50 mm	100 mm	CTC-3044561	83.72
SWAY							
	TBN00100-00262						
	2988656		P-UB-14	2	4	CTC-2990480	243.86
	TBN00263-00434, excluding 00416-00417						
	3250037		P-UB-14	2	4	CTC-3417048	220.05
	TBN00435-00774, including 00416-00417, 00776						
	3313801		P-UB-14	2	4	CTC-3417048	220.05
	TBN00775-, excluding 00776						
	3808344		P-UB-14	2	4	CTC-4175006	231.92
Wheel Dozers							
APPLICATION	CYL #	Misc-Parts, Instructions, etc.	CODE	ROD	BORE	KIT #	List \$
MODEL 814							
BLADE TIP							
	1U4744		P-UB-10	2	4	CTC-7X2755	182.47
DOZER							
	7J7028		P-UB-10	2-1/2	4-3/4	CTC-7X2773	208.14
DOZER LIFT							
	7J7028		P-UB-10	2-1/2	4-3/4	CTC-7X2660	287.36
LIFT							
	1U2088		P-UB-10	2-1/2	4-3/4	CTC-7X2660	287.36
LIFT RH							
	4J7859		P-UB-10	2	4	CTC-7X2755	182.47
PUMP							
	14R; 90P						
	9J5068					CTC-9J5114	43.00
STEERING							
	4T1574		P-UB-10	2	4	CTC-1328816	148.39
STEERING LH							
	7J9356		P-UB-10	2	4	CTC-7X2755	182.47
STEERING RH							
	7J9355		P-UB-10	2	4	CTC-7X2755	182.47
TILT							
	7J7295		P-UB-10	2	4-1/2	CTC-7X2768	141.85
MODEL 814B							
BLADE TIP							
	1U4744		P-UB-10	2	4	CTC-7X2755	182.47
DOZER							
	1U2088		P-UB-10	2-1/2	4-3/4	CTC-1328811	244.68
DOZER LIFT							
	1U2088		P-UB-10	2-1/2	4-3/4	CTC-7X2660	287.36
	7J7028		P-UB-10	2-1/2	4-3/4	CTC-7X2660	287.36

REPLACEMENT KITS FOR CATERPILLAR® EQUIPMENT

Wheel Dozers							
APPLICATION	CYL #	Misc-Parts, Instructions, etc.	CODE	ROD	BORE	KIT #	List \$
MODEL 814B							
STEERING							
	4T1574		P-UB-10	2	4	CTC-1328816	148.39
	6E5024		P-UB-10	2	4	CTC-1113302	190.32
TILT							
	7J7295		P-UB-10	2	4-1/2	CTC-7X2768	141.85
MODEL 814F							
DOZER							
	1U2088		P-UB-10	2-1/2	4-3/4	CTC-1328811	244.68
STEERING							
	4T1574		P-UB-10	2	4	CTC-1328816	148.39
	6E5024		P-UB-10	2	4	CTC-1113302	190.32
MODEL 814S							
BLADE TIP							
	1U4744		P-UB-10	2	4	CTC-7X2755	182.47
TILT							
	7J7295		P-UB-10	2	4-1/2	CTC-7X2768	141.85
MODEL 824							
BLADE TIP							
	4J5632		P-V-10	2-1/2	6-1/2	CTC-7X2678	175.08
	4J6006	App requires 2 kits.	P-UB-10	2-1/2	6	CTC-7X2656	257.94
	4J6006	App requires 2 kits.	P-UB-10	2-1/2	6	CTC-7X2692	262.81
BLADE TIP LH							
	4J4498		P-UB-10	2-1/2	6	CTC-7X2656	257.94
LIFT							
	3J9307		P-V-10	2-1/2	6-1/2	CTC-7X2676	175.08
	4J6005		P-V-10	2-1/2	6-1/2	CTC-7X2676	175.08
	4J7621		P-V-10	2-1/2	6-1/2	CTC-7X2676	175.08
	4J9233		P-V-10	2	4-1/2	CTC-7X2770	156.70
	6J1269		P-V-10	2-1/2	6-1/2	CTC-7X2676	175.08
	6J1272		P-V-10	2-1/2	6-1/2	CTC-7X2676	175.08
	6J1273		P-V-10	2-1/2	6-1/2	CTC-7X2676	175.08
	9J7111		P-UB-10	2-1/2	5-1/2	CTC-7X2653	259.89
PUMP							
	29G; 36H; 43E						
	3J6536					CTC-9J5115	58.11
STEERING							
	7J9984		P-UB-10	2-1/4	5	CTC-7X2729	259.72
STEERING LH							
	9J7087		P-UB-10	2-1/4	5	CTC-7X2729	259.72
STEERING RH							
	9J7086		P-UB-10	2-1/4	5	CTC-7X2729	259.72
TILT RH							
	4J4497		P-V-10	2-1/2	6-1/2	CTC-7X2678	175.08
MODEL 824B							
BLADE							
	7K9401		P-UB-10	2-1/4	5	CTC-7X2729	259.72
BLADE LH							
	4J4498		P-UB-10	2-1/2	6	CTC-7X2656	257.94
BLADE TIP							
	4J6006	App requires 2 kits.	P-UB-10	2-1/2	6	CTC-7X2656	257.94
BLADE TIP LH							
	4J4498		P-UB-10	2-1/2	6	CTC-7X2656	257.94

REPLACEMENT KITS FOR CATERPILLAR® EQUIPMENT

Wheel Dozers							
APPLICATION	CYL #	Misc-Parts, Instructions, etc.	CODE	ROD	BORE	KIT #	List \$
MODEL 824B							
LIFT							
	3J9307		P-V-10	2-1/2	6-1/2	CTC-7X2676	175.08
	4J6005		P-V-10	2-1/2	6-1/2	CTC-7X2676	175.08
	4J7621		P-V-10	2-1/2	6-1/2	CTC-7X2676	175.08
	4J9233		P-V-10	2	4-1/2	CTC-7X2770	156.70
	6J1269		P-V-10	2-1/2	6-1/2	CTC-7X2676	175.08
	6J1272		P-V-10	2-1/2	6-1/2	CTC-7X2676	175.08
	6J1273		P-V-10	2-1/2	6-1/2	CTC-7X2676	175.08
	9J7111		P-UB-10	2-1/2	5-1/2	CTC-7X2653	259.89
PUMP							
	29G; 36H; 43E						
	3J6536					CTC-9J5115	58.11
STEERING							
	6J7590		P-UB-10	2-1/4	5	CTC-7X2729	259.72
	7J9718		P-UB-10	2-1/4	5	CTC-7X2729	259.72
	7J9984		P-UB-10	2-1/4	5	CTC-7X2729	259.72
STEERING LH							
	9J7087		P-UB-10	2-1/4	5	CTC-7X2729	259.72
STEERING RH							
	9J7086		P-UB-10	2-1/4	5	CTC-7X2729	259.72
TILT RH							
	4J4497		P-V-10	2-1/2	6-1/2	CTC-7X2678	175.08
MODEL 824C							
BLADE LH							
	4J4498		P-UB-10	2-1/2	6	CTC-7X2656	257.94
BLADE RH							
	4J4497		P-V-10	2-1/2	6-1/2	CTC-7X2678	175.08
BLADE TIP							
	4J4497		P-V-10	2-1/2	6-1/2	CTC-7X2678	175.08
	4J5632		P-V-10	2-1/2	6-1/2	CTC-7X2678	175.08
	4J6006	App requires 2 kits.	P-UB-10	2-1/2	6	CTC-7X2656	257.94
BLADE TIP LH							
	4J4498		P-UB-10	2-1/2	6	CTC-7X2656	257.94
LIFT							
	4J6005		P-V-10	2-1/2	6-1/2	CTC-7X2676	175.08
	6J1269		P-V-10	2-1/2	6-1/2	CTC-7X2676	175.08
	6J1272		P-V-10	2-1/2	6-1/2	CTC-7X2676	175.08
	6J1273		P-V-10	2-1/2	6-1/2	CTC-7X2676	175.08
	9J7111		P-UB-10	2-1/2	5-1/2	CTC-7X2653	259.89
LIFT LH							
	4J4498		P-UB-10	2-1/2	6	CTC-7X2656	257.94
STEERING LH							
	9J7087		P-UB-10	2-1/4	5	CTC-9X6392	255.99
STEERING RH							
	9J7086		P-UB-10	2-1/4	5	CTC-9X6392	255.99
MODEL 824S, 834S, 834U							
LIFT LH							
	4J4498		P-UB-10	2-1/2	6	CTC-7X2656	257.94
TILT RH							
	4J4497		P-V-10	2-1/2	6-1/2	CTC-7X2678	175.08
MODEL 830M							
DOZER LIFT							
	3R4109		P-UB-10	2-1/2	4-3/4	CTC-7X2660	287.36
LIFT							
	3J6439		P-UB-10	2-1/2	6	CTC-7X2679	221.05

CATERPILLAR®

REPLACEMENT KITS FOR CATERPILLAR® EQUIPMENT

Wheel Dozers							
APPLICATION	CYL #	Misc-Parts, Instructions, etc.	CODE	ROD	BORE	KIT #	List \$
MODEL 830M							
RIPPER LIFT							
	3R6724		P-UB-10	2-1/2	6	CTC-7X2679	221.05
STEERING							
	5R0062		P-UB-10	2-1/4	5	CTC-7X2729	259.72
	7J9984		P-UB-10	2-1/4	5	CTC-7X2729	259.72
MODEL 834							
BLADE LH							
	4J4498		P-UB-10	2-1/2	6	CTC-7X2656	257.94
BLADE TIP							
	4J5632		P-V-10	2-1/2	6-1/2	CTC-7X2678	175.08
	4J6006	App requires 2 kits.	P-UB-10	2-1/2	6	CTC-7X2656	257.94
LIFT							
	4J6005		P-V-10	2-1/2	6-1/2	CTC-7X2676	175.08
	4J7621		P-V-10	2-1/2	6-1/2	CTC-7X2676	175.08
	4J9233		P-V-10	2	4-1/2	CTC-7X2770	156.70
	6J1269		P-V-10	2-1/2	6-1/2	CTC-7X2676	175.08
	6J1272		P-V-10	2-1/2	6-1/2	CTC-7X2676	175.08
PUMP							
	29G; 36H; 43E						
	3J6536					CTC-9J5115	58.11
STEERING							
	7J9984		P-UB-10	2-1/4	5	CTC-7X2729	259.72
	9J8165		P-UB-10	2-1/4	5	CTC-9X6392	255.99
TILT RH							
	4J4497		P-V-10	2-1/2	6-1/2	CTC-7X2678	175.08
MODEL 834B							
BLADE LH							
	4J4498		P-UB-10	2-1/2	6	CTC-7X2656	257.94
BLADE TIP							
	4J5632		P-V-10	2-1/2	6-1/2	CTC-7X2678	175.08
LIFT							
	4J7621		P-V-10	2-1/2	6-1/2	CTC-7X2676	175.08
	6J1272		P-V-10	2-1/2	6-1/2	CTC-7X2676	175.08
LIFT LH							
	4J4498		P-UB-10	2-1/2	6	CTC-7X2656	257.94
STEERING							
	9J8165		P-UB-10	2-1/4	5	CTC-9X6392	255.99
TILT RH							
	4J4497		P-V-10	2-1/2	6-1/2	CTC-7X2678	175.08
TIP							
	4J6006	App requires 2 kits.	P-UB-10	2-1/2	6	CTC-7X2656	257.94
MODEL 834C							
BLADE TIP							
	4J5632		P-V-10	2-1/2	6-1/2	CTC-7X2678	175.08
	4J6006	App requires 2 kits.	P-UB-10	2-1/2	6	CTC-7X2656	257.94

REPLACEMENT KITS FOR CATERPILLAR® EQUIPMENT

NOTE: CATERPILLAR kit numbers are used as a reference only. We do not imply that these kits are original REPLACEMENT KITS.

Kit Number	Code (Pg. 14)	Rod X Bore Size	List Price	Kit Number	Code (Pg. 14)	Rod X Bore Size	List Price
CTC-1014201	P-UB-10	2-1/2 X 4-3/4	\$ 214.36	CTC-1194418	P-UB-10	3-1/2 X 10	\$ 513.92
CTC-1014867	P-V-10	3 X 6-1/4	246.67	CTC-1195435	P-UB-10	75 X 110	472.67
CTC-1014874	P-UB-10	2-3/4 X 6-1/2	188.39	CTC-1195446	P-UB-10	80 X 120	431.21
CTC-1016061	I-U-10	30 X 63 mm	201.54	CTC-1195457	P-UB-10	65 X 100	336.61
CTC-1017554	P-UB-10	5-1/2 X 10-1/2	570.76	CTC-1211405	P-UB-10	70 X 100 mm	437.19
CTC-1038333	P-UB-14	60 X 90 mm	396.48	CTC-1211526	P-UB-10	90 X 160 mm	393.99
CTC-1040763	P-U-1	70 mm Rod Kit	86.87	CTC-1211577	O-RING KIT		172.43
CTC-1041023	P-U-1	75 mm Rod Kit	76.01	CTC-1211597	P-UB-10	5 X 6	387.64
CTC-1045008	I-U-10	4 X 4-1/2	445.35	CTC-1211605	P-UB-10	5-3/4 X 7	524.28
CTC-1052585	P-UB-10	90 X 130	464.55	CTC-1231768	P-UB-10	75 X 120 mm	462.74
CTC-1052601	P-UB-10	85 X 130	693.34	CTC-1231771	P-UB-10	70 X 100 mm	413.99
CTC-1057253	P-UB-14	55 X 80	295.50	CTC-1234121K	P-UB-10	2 X 4	122.47
CTC-1057255	P-UB-14	75 X 110	435.34	CTC-1239920	P-UB-10	70 X 130 mm	386.31
CTC-1057359	P-UB-10	80 X 100	392.20	CTC-1247005	P-UB-10	85 X 160 mm	322.88
CTC-1057379	P-UB-10	85 X 120	414.65	CTC-1247006	P-UB-10	70 X 130 mm	348.06
CTC-1057397	P-UB-10	70 X 100	324.39	CTC-1247007	P-UB-10	80 X 110 mm	417.07
CTC-1057480	P-UB-14	55 X 100	337.98	CTC-1247008	P-UB-10	85 X 120 mm	251.54
CTC-1082148	O-RINGS		15.90	CTC-1247009	P-UB-10	80 X 110 mm	355.42
CTC-1094745	I-U-1	63 mm	176.60	CTC-1247010	P-UB-10	75 X 140 mm	393.66
CTC-1113203	O-RING KIT		16.77	CTC-1257895K	P-UB-10	2-1/4 X 3-3/4	266.34
CTC-1113300	P-UB-10	2-1/2 X 4-1/2	218.49	CTC-1259700	P-U-10	70 X 110 mm	280.02
CTC-1113301	P-UB-10	1-7/8 X 3	209.58	CTC-1261887	P-UB-10	90 X 130	617.23
CTC-1113302	P-UB-10	2 X 4	190.32	CTC-1261937	P-UB-10	85 X 120 mm	216.97
CTC-1113725	P-UB-10	3-1/4 X 5-1/2	244.86	CTC-1261947	P-UB-10	85 X 120	553.74
CTC-1118211K	P-UB-10	2-5/8 X 5-1/4	170.97	CTC-1261979	P-UB-10	130 X 190 mm	470.85
CTC-1125343	I-SP-3,10	8-3/4, 12-1/2 X 11, 13-3/4	1014.48	CTC-1270630	P-UB-10	100 X 140 mm	517.42
CTC-1126550	P-UB-10	3 X 6-1/2	283.54	CTC-1270631	P-UB-10	100 X 140 mm	473.87
CTC-1126552	P-UB-10	3 X 6-1/2	369.99	CTC-1270795	P-UB-10	2-1/2 X 5	189.60
CTC-1131073	I,P-U-3	12-1/2 X 15-1/8	3122.75	CTC-1279809	P-UB-10	3 X 6-1/2	351.12
CTC-1132693	I-U-3	1-1/4 X 2-1/2	26.74	CTC-1281187	P-UB-10	3-1/4 X 7	425.67
CTC-1137463	I,P-U-3	9 X 10-3/4	2741.90	CTC-1281673	P-UB-10	3 x 5-1/2	365.64
CTC-1137472	I,P-U-3	13-1/2 X 16-1/8	3085.68	CTC-1289277	P-UB-10	105 X 150 mm	588.66
CTC-1137475	P-UB-3	7 X 8	731.61	CTC-1289278	P-UB-10	110 X 170	635.57
CTC-1137476	I,P-U-3	11 X 13-1/8	2567.21	CTC-1289280	P-UB-10	110 X 160 mm	587.08
CTC-1137478	P-UB-3	7 X 8	1048.73	CTC-1296156	P-UB-10	100 X 170 mm	308.58
CTC-1137480	I,P-U-3	12-1/2 X 14-1/4	1071.64	CTC-1304012	P-UB-10	2-1/2 X 5	288.96
CTC-1137482	I,P-U-13	9 X 10-1/2	306.255	CTC-1305923	P-UB-10	2-1/8 X 4	218.57
CTC-1143616	O-RING KIT		9.81	CTC-1309466	P-UB-10	3 X 6	353.98
CTC-1148131K	P-UB-10	3 X 4-3/4	158.76	CTC-1309483	P-UB-10	3-1/2 x 7-1/4	453.24
CTC-1148290	P-UB-10	80 X 120	324.64	CTC-1309702	P-UB-10	6 X 7-1/2	568.61
CTC-1148526	P-UB-10	75 X 110	383.63	CTC-1309712	P-UB-10	6 X 7-1/2	617.05
CTC-1153523K	P-UB-10	3 X 6-1/2	190.14	CTC-1309758	P-UB-10	7 X 10	649.56
CTC-1156963K	P-UB-10	2-3/4 X 4-1/2	192.50	CTC-1309763	P-UB-10	4-1/4 X 7-3/4	610.49
CTC-1163529	P-UB-10	150 X 220 mm	933.35	CTC-1309771	P-UB-1	4-1/4	427.42
CTC-1163612	P-UB-10	105 X 150	482.77	CTC-1315083	P-UB-10	3-1/2 X 6-1/4	215.32
CTC-1163649	P-UB-10	110 X 170	455.70	CTC-1315088	P-UB-10	2-1/4 X 4-1/4	237.05
CTC-1180672	I-U-10	6 X 8-1/4	812.39	CTC-1315106	P-UB-10	2-1/2 X 5	232.77
CTC-1183135	I-U-10	60 X 100 mm	150.10	CTC-1315118	P-UB-10	2-1/2 X 5	272.48
CTC-1183946	P-UB-10	110 X 160	576.98	CTC-1315164	P-UB-10	2-1/2 X 6	274.88
CTC-1184024	P-UB-10	100 X 140	517.42	CTC-1315420	I-U-10	2-3/4 X 4	240.51
CTC-1184131	P-UB-10	85 X 120	399.75	CTC-1315421	I-UB-10	2 X 4	231.92
CTC-1184175	P-UB-10	90 X 130	472.39	CTC-1315423	P-UB-10	3 X 4	305.51
CTC-1186023	P-UB-10	85 X 120	426.08	CTC-1315424	P-UB-10	3-1/2 X 4-1/2	340.98

CATERPILLAR®

REPLACEMENT KITS FOR CATERPILLAR® EQUIPMENT

NOTE: CATERPILLAR kit numbers are used as a reference only. We do not imply that these kits are original REPLACEMENT KITS.

Kit Number	Code (Pg. 14)	Rod X Bore Size	List Price	Kit Number	Code (Pg. 14)	Rod X Bore Size	List Price
CTC-1316102	P-UB-10	3-1/2 X 8-1/4	\$ 419.80	CTC-1334802	P-UB-10	3-1/4 X 7	\$ 379.81
CTC-1316108	P-UB-10	1-3/4 X 4	173.81	CTC-1336646	P-UB-10	80 X 110	396.43
CTC-1316109	P-UB-10	3 X 4-3/4	180.09	CTC-1336691	P-UB-10	70 X 100	344.15
CTC-1316117	P-UB-10	3-1/2 X 6-1/4	391.92	CTC-1336823	P-UB-10	100 X 140 mm	513.76
CTC-1316122	P-UB-5	3-1/2 X 4-1/2	384.26	CTC-1344485K	P-UB-10	55 X 100 mm	188.76
CTC-1318700	P-UB-10	2-1/2 X 3-3/4	241.42	CTC-1347123	P-UB-10	85 X 125 mm	537.00
CTC-1318733	P-UB-10	3 X 6-1/2	312.78	CTC-1347127	P-UB-10	90 X 130 mm	650.77
CTC-1318740	P-UB-10	3 X 6-1/2	274.41	CTC-1347128	P-UB-10	100 X 140 mm	498.03
CTC-1318748	P-UB-10	2-1/2 X 4	246.33	CTC-1349838K	P-UB-10	35 X 70 mm	96.15
CTC-1318778	P-UB-10	2-1/4 x 4-3/4	224.14	CTC-1350532K	P-UB-10	50 X 85 mm	343.99
CTC-1321417	P-UB-10	2-1/4 X 3-3/4	219.14	CTC-1352167	P-UB-10	2-3/4 x 6	280.19
CTC-1324905	P-UB-10	3-1/2 X 8-1/4	335.91	CTC-1353223	P-UB-10	2-1/2 X 4	256.63
CTC-1324919	P-UB-10	3-1/2 X 10	507.11	CTC-1353253	P-UB-10	2-1/2 X 4	239.08
CTC-1324922	P-UB-10	4 X 9-1/4	510.72	CTC-1353802	P-UB-10	3 x 4-1/2	278.96
CTC-1324932	P-UB-10	4 x 10-1/2	578.16	CTC-1353829	P-UB-10	3 X 4-1/2	324.56
CTC-1324937	P-UB-10	3 X 6	214.20	CTC-1353857	P-UB-10	6 X 9-1/4	462.22
CTC-1324987	P-UB-10	3-1/4 X 7-1/4	364.19	CTC-1354382	P-UB-10	5-3/4 X 11-1/2	722.03
CTC-1324993	P-UB-10	3-1/4 X 7-3/4	408.36	CTC-1354392	P-UB-10	2-1/4 x 4-1/2	224.57
CTC-1324997	P-UB-10	3-3/4 X 7-3/4	385.69	CTC-1354402	P-UB-10	3-1/4 X 8-1/4	396.85
CTC-1326121	P-UB-10	2-3/4 x 5-1/4	322.62	CTC-1354446	P-V-10	3-1/4 X 7-1/4	330.36
CTC-1326127	P-UB-10	3 X 7-1/4	315.39	CTC-1354539	P-UB-14	3-1/4 X 5-1/2	196.92
CTC-1326130	P-UB-10	3-1/2 X 7-1/4	384.92	CTC-1358143	P-UB-10	3 X 5-1/2	301.04
CTC-1326148	P-UB-10	2-3/4 X 4-1/4	259.96	CTC-1358153	P-UB-10	3 X 5-1/2	302.09
CTC-1326170	P-UB-10	2-3/4 X 4-1/4	272.48	CTC-1358166	P-UB-10	2-1/4 X 3-1/2	260.00
CTC-1326180	P-UB-10	3 X 7-1/4	339.51	CTC-1358695	P-UB-10	2-1/2 X 4-3/4	152.32
CTC-1326184	P-UB-10	3 X 7-1/4	342.90	CTC-1358736	P-UB-10	2-3/4 X 5-1/2	321.79
CTC-1326770	P-UB-10	2-1/4 X 4-1/2	231.03	CTC-1361131	P-UB-10	2-1/2 x 4-3/4	229.07
CTC-1326783	P-UB-10	4 X 7	381.55	CTC-1361171	P-UB-10	2-1/4 X 4	162.17
CTC-1326806	P-UB-10	4 X 7	566.67	CTC-1361599	P-UB-10	1-1/2 X 2-3/4	163.14
CTC-1327058	P-UB-10	1-1/2 X 3-1/2	166.20	CTC-1361897	P-UB-10	2-1/4 X 3-3/4	215.59
CTC-1327114	P-UB-10	2-1/2 X 4-1/4	249.87	CTC-1361908	P-UB-10	2-5/8 X 5-1/4	282.90
CTC-1327123	P-UB-10	2-1/2 X 5-1/2	284.16	CTC-1361967	P-UB-10	2-1/2 X 5	293.83
CTC-1327129	P-UB-10	2-3/4 X 5-1/2	287.82	CTC-1361990	I-UB-10	2-3/4 X 3-3/4	263.22
CTC-1327131	P-UB-10	2-3/4 X 5-1/2	308.31	CTC-1362025	P-UB-10	3 X 4-3/4	334.53
CTC-1328088	P-UB-10	2-3/4 X 6-1/2	328.75	CTC-1362049	P-UB-10	110 X 170 mm	411.59
CTC-1328111	P-UB-10	2-3/4 X 5-1/2	289.69	CTC-1362721	P-UB-10	3-1/2 X 7-1/2	305.52
CTC-1328284	P-UB-10	2-3/4 X 7	212.93	CTC-1363084	P-UB-10	3 X 6	225.76
CTC-1328491	P-UB-10	3 X 6-1/4	361.09	CTC-1363121	P-UB-10	2-1/2 X 6	263.19
CTC-1328518	P-UB-10	3-1/4 X 7	347.71	CTC-1363337	P-UB-10	2-3/4 X 6	124.72
CTC-1328576	P-UB-10	3-1/4 X 9-1/4	512.63	CTC-1363741	P-UB-3	3 X 6-1/2	251.92
CTC-1328608	P-UB-10	3-1/4 X 9-1/4	385.87	CTC-1365158	P-UB-10	3-1/2 X 6-1/4	330.91
CTC-1328620	P-UB-10	3-1/4 X 7-1/4	354.10	CTC-1368341	P-UB-10	2-1/2 X 6-1/2	247.43
CTC-1328633	P-UB-10	1-1/2 X 3-1/4	174.99	CTC-1368797	P-UB-10	3-1/4 X 6-1/2	340.00
CTC-1328770	P-UB-10	1-3/4 X 3-1/4	180.95	CTC-1368823	P-UB-10	3-3/4 X 6-1/2	273.54
CTC-1328783	P-V-10	2 X 4-1/2	119.45	CTC-1368865	P-UB-10	4 X 6-1/2	556.08
CTC-1328811	P-UB-10	2-1/2 X 4-3/4	244.68	CTC-1370264	P-UB-10	2-1/2 X 6-1/2	269.17
CTC-1328816	P-UB-10	2 X 4	148.39	CTC-1370315	P-UB-10	2-3/4 X 7-1/4	372.38
CTC-1328849	P-UB-10	1-3/4 X 3	180.76	CTC-1371384	P-UB-10	3-1/4 X 9-1/4	368.67
CTC-1329361	P-UB-10	1-3/4 X 3-3/4	69.28	CTC-1371394	P-UB-10	3-1/4 X 9-1/4	321.36
CTC-1332274	P-UB-10	4 X 10	504.83	CTC-1371762	P-UB-10	4 X 9-1/4	445.31
CTC-1332962K	P-UB-10	3-1/4 X 9-1/4	458.03	CTC-1371774	P-UB-10	4-3/4 X 7-1/4	536.37
CTC-1333614	P-UB-10	4 X 7	485.06	CTC-1371946	P-UB-10	4-3/4 X 7	480.80
CTC-1334759	P-UB-10	3-1/4 X 7	264.51	CTC-1371955	P-UB-10	4-3/4 X 6-1/2	475.29

CATERPILLAR®

REPLACEMENT KITS FOR CATERPILLAR® EQUIPMENT

NOTE: CATERPILLAR kit numbers are used as a reference only. We do not imply that these kits are original REPLACEMENT KITS.

Kit Number	Code (Pg. 14)	Rod X Bore Size	List Price	Kit Number	Code (Pg. 14)	Rod X Bore Size	List Price
CTC-1371974	P-UB-10	3-1/2 X 8-1/4	\$ 387.37	CTC-1512460K	P-U-10	40 X 70 mm	\$ 71.68
CTC-1372489	P-UB-10	2-3/4 X 7-1/4	293.29	CTC-1513187K	P-U-10	35 X 65 mm	83.14
CTC-1372530	P-UB-10	1-1/2 X 3	99.37	CTC-1526482K	P-UB-10	1-3/4 X 3-1/2	115.17
CTC-1372533	P-UB-10	1-1/2 X 3	147.10	CTC-1526485K	P-UB-10	2 X 4	110.44
CTC-1373496	P-U-10	2-1/2 X 5	192.39	CTC-1529148K	P-UB-10	2-3/8 X 4-3/4	159.96
CTC-1373529	P-UB-10	2-1/4 X 4-1/2	100.12	CTC-1531282	I-SP-3,10	7-3/4, 11-1/2 X 10, 12-3/4	1095.39
CTC-1373602	P-UB-10	2-1/4 X 4-1/2	247.22	CTC-1533724	P-UB-10	2-1/2 X 4	342.30
CTC-1373661	P-UB-10	100 X 140 mm	238.59	CTC-1534973	P-UB-10	3-1/2 X 8-1/2	426.88
CTC-1373763	P-UB-10	85 X 120	591.59	CTC-1539053	P-UB-10	1-3/4 X 2-3/4	222.42
CTC-1373764	P-UB-10	100 X 140	516.32	CTC-1539054	P-UB-10	1-3/4 X 2-1/2	181.05
CTC-1373765	P-UB-10	90 X 130	761.49	CTC-1540728	P-UB-10	85 X 120	780.29
CTC-1373766	P-UB-10	100 X 140	495.62	CTC-1540735	P-UB-10	100 X 140 mm	593.66
CTC-1373767	P-UB-10	105 X 150	670.05	CTC-1540744	P-UB-10	85 X 120	707.48
CTC-1373768	P-UB-10	90 X 130	704.71	CTC-1540748	P-UB-10	90 X 130 mm	460.89
CTC-1378527	P-UB-10	2 X 4-1/4	155.79	CTC-1540757	P-UB-10	90 X 130mm	717.34
CTC-1378646	P-UB-10	3 X 5-1/4	293.86	CTC-1540761	P-UB-10	100 X 140	611.54
CTC-1378662	P-UB-10	2 X 4-1/4	205.36	CTC-1540766	P-UB-10	105 X 150	627.85
CTC-1379011	P-UB-10	55 X 100 mm	401.92	CTC-1540773	P-UB-10	90 X 130mm	716.85
CTC-1379403	P-UB-10	105 X 150 mm	579.41	CTC-1542501	P-UB-10	2-1/2 X 4	229.70
CTC-1396249	Swivel Kit		146.43	CTC-1542502	P-UB-10	2-1/2 X 7-1/4	293.43
CTC-1416667K	P-UB-10	3-1/2 X 5-1/2	255.51	CTC-1542503	P-UB-10	3 X 4-3/4	200.22
CTC-1417296	P-U-3	7 X 8-1/2	437.25	CTC-1542505	P-UB-10	6 X 7-1/2	712.69
CTC-1417975	P-UB-4	3-1/2 X 4-1/2	255.82	CTC-1546525	P-UB-10	2-1/4 X 4-3/4	245.03
CTC-1425422	P-UB-10	75 X 110 mm	441.56	CTC-1546526	P-UB-10	2-1/4 X 4	228.66
CTC-1425425	P-UB-10	80 X 120 mm	451.50	CTC-1553652K	P-UB-10	3 X 6-1/2	240.87
CTC-1425428	P-UB-10	65 X 100 mm	454.19	CTC-1558421	I-U-15	60 X 110 mm	117.45
CTC-1428962	I-U-10	35 X 50 mm	79.81	CTC-1560625	P-UB-10	130 X 180 mm	673.86
CTC-1428963	P-U-10	30 X 65 mm	158.33	CTC-1560626	P-UB-10	140 x 200 mm	797.00
CTC-1429192	P-U-10	35 X 70 mm	76.89	CTC-1560627	P-UB-10	150 X 220 mm	933.35
CTC-1429193	P-U-10	40 X 60 mm	117.72	CTC-1560656	P-UB-10	110 X 160 mm	425.65
CTC-1432918	P-UB-10	3 X 5-1/4	296.60	CTC-1563798	P-UB-10	2-1/2 X 4-3/4	247.85
CTC-1433201K	P-UB-10	100 X 170 mm	384.59	CTC-1565208	P-UB-10	1-1/2 X 2-1/2	161.67
CTC-1437982	P-UB-14	75 X 110 mm	535.41	CTC-1570246	P-UB-10	2 X 3-1/2	211.24
CTC-1437983	P-UB-14	60 X 90 mm	440.90	CTC-1570284	P-UB-10	3-1/2 x 7-3/4	273.28
CTC-1438139	P-UB-10	130 X 180 mm	617.71	CTC-1570286	P-UB-10	2-1/2 X 5-1/2	272.69
CTC-1438152	P-UB-10	70 X 100 mm	406.45	CTC-1570287	P-UB-10	2-3/4 X 5-1/2	237.80
CTC-1438153	P-UB-10	65 X 100 mm	367.31	CTC-1570288	P-UB-10	3 X 4-3/4	261.25
CTC-1438154	P-UB-10	75 X 110 mm	393.13	CTC-1570289	P-UB-10	7 X 11	1530.84
CTC-1438155	P-UB-10	80 X 120 mm	376.81	CTC-1570290	P-UB-10	2 X 4	215.67
CTC-1456902	O-RING KIT		8.34	CTC-1582872	P-UB-10	3 X 5	373.54
CTC-1468928K	P-UB-10	4-1/2 X 150 mm	263.81	CTC-1586389	P-UB-10	75 X 110 mm	335.47
CTC-1469624	P-UB-10	3-1/4 X 9-1/4	385.15	CTC-1588925	P-UB-10	70 X 100 mm	361.40
CTC-1469631	P-UB-10	3-1/4 X 9-1/4	390.23	CTC-1588926	P-UB-10	80 X 110 mm	397.33
CTC-1469860	P-UB-10	2-1/2 X 4-1/2	244.85	CTC-1589092	P-UB-10	85 X 120 mm	291.76
CTC-1475740	P-UB-10	140 X 200 mm	514.54	CTC-1589093	P-UB-10	100 X 140 mm	196.01
CTC-1475781	P-UB-10	85 X 125 mm	460.14	CTC-1597532	P-UB-10	7 X 11	1530.84
CTC-1475839	P-UB-10	85 X 120 mm	451.18	CTC-1597773	P-UB-10	85 X 120 mm	323.08
CTC-1475875	P-UB-10	95 X 130 mm	422.05	CTC-1597774	P-UB-10	100 X 140 mm	241.80
CTC-1505833	P-UB-10	95 X 130 mm	765.09	CTC-1597775	P-UB-10	85 X 120 mm	284.26
CTC-1505850	P-UB-10	80 X 110 mm	187.18	CTC-1597776	P-UB-10	90 X 130 mm	791.07
CTC-1508828	I-U-1	80 mm	374.91	CTC-1597778	P-UB-10	85 X 130 mm	763.01
CTC-1509211K	P-U-10	45 X 75 mm	85.11	CTC-1600045K	P-UB-10	2-1/2 X 4-3/4	162.19
CTC-1511266K	P-U-10	45 X 75 mm	91.18	CTC-1600054K	P-UB-10	2-1/2 X 5-1/2	127.95

CATERPILLAR®

REPLACEMENT KITS FOR CATERPILLAR® EQUIPMENT

NOTE: CATERPILLAR kit numbers are used as a reference only. We do not imply that these kits are original REPLACEMENT KITS.

Kit Number	Code (Pg. 14)	Rod X Bore Size	List Price	Kit Number	Code (Pg. 14)	Rod X Bore Size	List Price
CTC-1605784	P-UB-10	3 X 5	\$ 115.91	CTC-1697844	P-UB-10	75 X 110 mm	\$ 383.36
CTC-1605785	P-UB-10	3-1/4 X 6-1/2	286.23	CTC-1697845	P-UB-14	55 X 80 mm	197.81
CTC-1605795	P-UB-10	2-1/2 X 5-1/4	281.60	CTC-1697895	P-UB-14	60 X 90 mm	328.98
CTC-1605796	P-UB-10	3 x 7	376.37	CTC-1699529K	P-UB-10	2 X 4	116.23
CTC-1608546	P-U-10	30 X 60 mm	82.27	CTC-1699531K	P-UB-10	2 X 4	110.44
CTC-1624675	P-UB-10	80 X 110 mm	472.78	CTC-1700221	P-UB-10	2-1/2 X 4-3/4	226.62
CTC-1624676	P-UB-10	85 X 120 mm	166.35	CTC-1709827	P-UB-10	70 X 100 mm	175.45
CTC-1624677	P-UB-10	70 X 100 mm	373.04	CTC-1709829	P-UB-10	140 X 200 mm	507.28
CTC-1636105	P-UB-10	2-3/4 X 4-1/2	257.00	CTC-1709830	P-UB-10	130 X 180 mm	626.82
CTC-1636223	P-UB-10	2-1/2 X 5	339.13	CTC-1709929	P-UB-10	70 X 100 mm	497.32
CTC-1636935K	P-U-10	50 X 90 mm	189.25	CTC-1709937	P-UB-10	75 X 110 mm	249.22
CTC-1636936K	P-U-10	45 X 75 mm	244.08	CTC-1709941	P-UB-10	65 X 100 mm	207.55
CTC-1637006K	P-U-10	45 X 80 mm	169.49	CTC-1709946	P-UB-10	80 X 120 mm	457.03
CTC-1637007K	P-U-10	45 X 80 mm	169.49	CTC-1709999	P-UB-10	80 X 120 mm	308.05
CTC-1637008K	P-U-10	40 X 70 mm	230.27	CTC-1721685	P-UB-10	2 X 3	216.26
CTC-1643213	P-U-10	30 X 60 mm	106.19	CTC-1721687	P-UB-4	4 X 4-1/2	237.17
CTC-1645174	P-UB-10	100 X 140 mm	349.99	CTC-1721688	P-UB-10	2-3/4 X 4	253.50
CTC-1649430K	P-UB-10	1-1/4 X 2-1/2	61.25	CTC-1721689	I-UB-5	2 X 4-1/2	292.61
CTC-1650102K	P-UB-10	3 X 6-1/2	261.12	CTC-1721690	P-UB-10	2 X 4-1/2	77.76
CTC-1654342	P-UB-14	50 X 90 mm	182.86	CTC-1721691	P-UB-10	3-1/2 X 5-1/2	274.99
CTC-1656035	P-UB-10	2-1/2 X 6-1/2	288.04	CTC-1721692	P-UB-10	4 X 4-1/2	284.02
CTC-1658633K	P-UB-10	3 X 4-3/4	207.32	CTC-1721693	P-UB-10	3-1/2 X 4-1/2	295.04
CTC-1659416	P-UB-10	130 X 190 mm	471.77	CTC-1724223K	P-U-10	45 X 75 mm	80.46
CTC-1659418	P-UB-10	85 X 120 mm	223.67	CTC-1725285	P-U-10	25 X 40 mm	91.26
CTC-1659419	P-UB-10	95 X 130 mm	361.73	CTC-1728486	I-U-10	1-3/4 X 63 mm	106.61
CTC-1659420	P-UB-10	80 X 110 mm	222.47	CTC-1728487	I-U-10	50 X 70 mm	87.21
CTC-1662835K	P-U-10	45 X 75 mm	79.31	CTC-1728500	P-UB-10	105 X 180 mm	578.24
CTC-1663850	P-UB-10	5-1/2 X 10	763.24	CTC-1744715K	P-UB-10	3-1/4 X 9-1/4	324.17
CTC-1668140K	I-UB-10	2-3/4 X 3-3/4	126.77	CTC-1749425	P-UB-10	3-1/2 X 6-1/4	376.49
CTC-1677551K	P-UB-10	2 X 4-1/4	80.26	CTC-1764912	P-UB-10	85 X 120 mm	422.03
CTC-1680758	P-UB-10	105 X 150	542.65	CTC-1764913	P-UB-10	100 X 140 mm	532.33
CTC-1680759	P-UB-10	110 X 170	641.06	CTC-1764914	P-UB-10	90 X 130 mm	227.00
CTC-1680760	P-UB-10	110 X 160 mm	537.21	CTC-1764934	P-UB-10	85 X 120 mm	372.06
CTC-1686942K	P-UB-10	5 X 9-1/4	539.49	CTC-1764935	P-UB-10	65 X 100	354.00
CTC-1686943K	P-UB-10	5 X 9-1/4	539.49	CTC-1764999	P-UB-10	95 X 130 mm	384.48
CTC-1686944K	P-UB-10	4-1/2 X 9-1/4	609.47	CTC-1771958	P-U-10	32 X 63 mm	110.59
CTC-1697826	P-UB-14	75 X 110 mm	212.93	CTC-1787189	I-U-10	36 X 65 mm	398.89
CTC-1697827	P-UB-14	60 X 90 mm	330.72	CTC-1787189NLN	I-U-10	36 X 65 mm	189.47
CTC-1697828	P-UB-14	55 X 80 mm	240.01	CTC-1788382	P-UB-10	100 X 170 mm	592.05
CTC-1697829	P-UB-14	55 X 100 mm	228.46	CTC-1791715	I-U-3	3/4 X 1-1/2	24.17
CTC-1697830	P-UB-10	65 X 100 mm	183.96	CTC-1791749	I-O-3	3/4 X 1-1/2	8.64
CTC-1697831	P-UB-10	75 X 120 mm	458.78	CTC-1794969K	P-U-10	45 X 75 mm	85.11
CTC-1697832	P-UB-10	70 X 100 mm	425.75	CTC-1799625	P-UB-10	80 X 110 mm	402.75
CTC-1697834	P-UB-10	55 X 100 mm	388.85	CTC-1799634	P-UB-10	85 X 120 mm	223.67
CTC-1697835	P-UB-10	80 X 120	345.93	CTC-1799638	P-UB-10	70 X 100 mm	156.34
CTC-1697836	P-UB-10	70 X 100	459.98	CTC-1799764K	P-UB-10	90 X 130 mm	200.07
CTC-1697837	P-UB-10	75 X 110 mm	415.54	CTC-1799772	P-U-10	90 X 130 mm	330.77
CTC-1697838	P-UB-10	80 X 120 mm	434.08	CTC-1799785K	P-UB-10	105 X 150 mm	259.52
CTC-1697839	P-UB-10	65 X 100 mm	350.42	CTC-1800062	P-UB-10	2-1/8 X 4	247.96
CTC-1697840	P-UB-10	75 X 110 mm	180.78	CTC-1807208	P-U,UB-10	2 X 4	205.53
CTC-1697841	P-UB-10	80 X 120 mm	425.86	CTC-1807484K	P-UB-10	2-1/8 X 4	130.29
CTC-1697842	P-UB-10	65 X 100 mm	388.22	CTC-1807485K	P-UB-10	2-1/8 X 4	130.29
CTC-1697843	P-UB-10	70 X 130	402.56	CTC-1809872	I-U-10	1 X 2	188.66

CATERPILLAR®

REPLACEMENT KITS FOR CATERPILLAR® EQUIPMENT

NOTE: CATERPILLAR kit numbers are used as a reference only. We do not imply that these kits are original REPLACEMENT KITS.

Kit Number	Code (Pg. 14)	Rod X Bore Size	List Price	Kit Number	Code (Pg. 14)	Rod X Bore Size	List Price
CTC-1832091	I-U-10	1 X 2	\$ 18.56	CTC-1857676	P-UB-10	2 X 5	\$ 95.05
CTC-1832848K	P-UB-10	2 X 75 mm	145.98	CTC-1857677	P-UB-10	2 X 4	62.15
CTC-1832850K	P-UB-10	65 mm X 4-3/4	254.67	CTC-1857678	P-UB-10	2 X 3-1/2	113.30
CTC-1832856K	P-UB-10	2 X 85 mm	197.42	CTC-1857680	P-V-10	2 X 4	90.02
CTC-1833721K	P-UB-10	1-1/2 X 3-1/2	111.79	CTC-1857681	P-U-10	2 X 3-1/2	172.30
CTC-1838459K	P-UB-10	1-1/2 X 3-1/2	111.79	CTC-1857682	P-UB-10	2 X 4-1/4	96.73
CTC-1843709K	P-UB-10	2-1/2 X 4-1/2	117.64	CTC-1857683	P-UB-10	2 X 3-1/4	70.71
CTC-1850196	P-UB-10	90 X 130 mm	264.20	CTC-1857684	P-UB-10	2 X 3-3/4	70.32
CTC-1850223	P-UB-10	85 X 125 mm	265.12	CTC-1857685	P-UB-10	3-1/4 X 5-1/2	471.04
CTC-1851839K	P-UB-10	1-1/2 X 3	54.98	CTC-1857686	P-UB-10	2 X 4	145.93
CTC-1855574	P-UB-10	95 X 160 mm	302.44	CTC-1857687	N-UB-10	2 X 4	229.22
CTC-1856582	P-UB-10	1-1/2 X 2-3/4	178.33	CTC-1857688	P-UB-10	2 X 4	111.41
CTC-1856583	P-UB-10	1-1/2 X 3	73.27	CTC-1857689	P-UB-10	2 X 4-1/2	216.65
CTC-1856584	P-UB-10	1-1/2 X 4	71.14	CTC-1857694	P-UB-10	2 X 4-1/4	174.29
CTC-1856585	P-UB-10	1-1/2 X 2-1/2	49.10	CTC-1857696	P-UB-10	2 X 4-1/4	71.81
CTC-1856586	P-UB-10	1-1/2 X 2-3/4	54.94	CTC-1857698	P-UB-10	2 X 4	87.31
CTC-1856587	P-UB-10	1-1/2 X 3	97.18	CTC-1857699	I-UB-10	2 X 4-1/2	344.33
CTC-1856588	P-UB-10	1-1/2 X 3-1/2	109.71	CTC-1857700	P-UB-10	2 X 4-1/2	155.40
CTC-1856589	P-UB-10	1-1/2 X 3-1/2	110.84	CTC-1859502	P-UB-10	2-1/4 X 5	95.33
CTC-1856590	P-UB-10	1-1/2 X 2-1/4	48.88	CTC-1859503	P-UB-10	2-1/4 X 3-1/2	220.05
CTC-1856591	P-UB-10	1-1/2 X 3-1/2	209.64	CTC-1859504	P-UB-10	2-1/4 X 4-1/2	87.70
CTC-1856593	P-UB-10	1-1/2 X 3-1/4	64.87	CTC-1859505	P-UB-10	2-1/4 X 4-1/2	70.40
CTC-1856596	P-UB-10	1-1/2 X 2-3/4	74.10	CTC-1859507	P-UB-10	2-1/4 X 4-1/4	177.75
CTC-1856598	P-UB-10	1-1/2 X 3	45.39	CTC-1859508	P-UB-10	2-1/4 X 4	175.12
CTC-1856601	P-UB-10	1-1/2 X 2-1/2	82.83	CTC-1859509	P-UB-10	2-1/4 X 3-3/4	176.85
CTC-1857018	P-UB-10	1-3/4 X 3-1/2	112.31	CTC-1859510	P-UB-10	2-1/4 X 4	182.36
CTC-1857019	P-UB-10	1-3/4 X 3-1/4	51.35	CTC-1859511	P-UB-10	2-1/4 X 4-3/4	196.07
CTC-1857020	P-UB-10	1-3/4 X 3-1/2	113.53	CTC-1859512	P-UB-10	2-1/4 X 3-1/2	179.17
CTC-1857021	P-UB-10	1-3/4 X 4	47.48	CTC-1859516	P-UB-10	2-1/4 X 5	156.38
CTC-1857022	P-UB-10	1-3/4 X 3	45.13	CTC-1859517	P-UB-10	2-1/4 X 4-1/4	213.57
CTC-1857023	P-UB-10	1-3/4 X 3-3/4	50.92	CTC-1859519	P-UB-10	2-1/4 X 4-3/4	231.92
CTC-1857024	P-UB-10	1-3/4 X 2-3/4	88.07	CTC-1859523	P-UB-10	2-1/4 X 4-1/2	84.55
CTC-1857025	P-UB-10	1-3/4 X 3	84.97	CTC-1859525	P-UB-10	2-1/4 X 4-1/2	219.55
CTC-1857026	P-UB-10	1-3/4 X 2-1/2	165.67	CTC-1859526	P-UB-10	2-1/4 X 3-1/2	279.93
CTC-1857027	P-UB-10	1-3/4 X 2-3/4	46.56	CTC-1859527	P-UB-10	2-1/4 X 4	183.39
CTC-1857029	P-UB-10	1-3/4 X 4	213.93	CTC-1859528	P-UB-10	2-1/4 X 3-3/4	212.42
CTC-1857030	P-UB-10	1-3/4 X 3-1/4	163.04	CTC-1859530	P-UB-10	2-1/4 X 4-1/2	224.45
CTC-1857033	P-UB-10	1-3/4 X 3-3/4	207.35	CTC-1859532	P-UB-10	2-1/4 X 4-1/2	273.12
CTC-1857035	P-UB-10	1-3/4 X 2-3/4	179.31	CTC-1859534	P-UB-10	2-1/4 X 4-3/4	273.59
CTC-1857036	P-UB-10	1-3/4 X 2-1/2	181.05	CTC-1859535	P-UB-10	2-1/4 X 4	143.54
CTC-1857037	P-UB-10	1-3/4 X 3	166.92	CTC-1864327	I-UB-10	2-1/2 X 3-1/2	114.03
CTC-1857662	P-UB-10	2-3/4 X 4-1/2	275.53	CTC-1864328	P-UB-10	2-1/2 X 4-1/4	174.29
CTC-1857663	P-UB-10	3-1/4 X 5-1/2	436.15	CTC-1864329	P-UB-10	2-1/2 X 5-1/2	317.82
CTC-1857664	P-UB-10	3-1/4 X 5-1/2	307.82	CTC-1864330	P-UB-10	2-1/2 X 6	384.76
CTC-1857666	P-UB-10	2 X 4	82.74	CTC-1864331	P-UB-10	2-1/2 X 6-1/2	387.31
CTC-1857667	P-UB-10	2 X 3	135.46	CTC-1864332	P-UB-10	2-1/2 X 5	117.02
CTC-1857668	P-V-10	2 X 5	243.10	CTC-1864333	P-UB-10	2-1/2 X 4	96.93
CTC-1857669	P-UB-10	2 X 4-1/4	77.34	CTC-1864334	P-UB-10	2-1/2 X 7-1/4	215.46
CTC-1857670	P-UB-10	2 X 3-1/4	66.03	CTC-1864335	P-UB-10	2-1/2 X 6	369.92
CTC-1857671	P-UB-10	2 X 4-1/2	73.45	CTC-1864336	P-UB-10	2-1/2 X 4-1/4	144.98
CTC-1857672	P-UB-10	2 X 3-1/2	113.84	CTC-1864337	P-UB-10	2-1/2 X 4-1/4	79.98
CTC-1857674	P-UB-10	2 X 3-1/2	164.74	CTC-1864338	P-UB-10	2-1/2 X 4	130.59
CTC-1857675	P-UB-10	2 X 3-3/4	192.36	CTC-1864339	P-UB-10	2-1/2 X 6-1/2	318.90

CATERPILLAR®

REPLACEMENT KITS FOR CATERPILLAR® EQUIPMENT

NOTE: CATERPILLAR kit numbers are used as a reference only. We do not imply that these kits are original REPLACEMENT KITS.

Kit Number	Code (Pg. 14)	Rod X Bore Size	List Price	Kit Number	Code (Pg. 14)	Rod X Bore Size	List Price
CTC-1864340	P-UB-10	2-1/2 X 6	\$ 166.53	CTC-1890274	P-UB-10	2-5/8 X 5-1/4	\$ 341.05
CTC-1864341	P-UB-10	2-1/2 X 3-3/4	87.47	CTC-1890281	P-UB-10	100 X 140 mm	641.19
CTC-1864342	P-UB-10	2-1/2 X 5-1/2	260.04	CTC-1890282	P-UB-10	100 x 140 mm	464.08
CTC-1864349	P-U-10	2-1/2 X 6	138.53	CTC-1891778	I-U-10	6 X 8-1/4	796.99
CTC-1864350	P-UB-10	2-1/2 X 4-3/4	190.64	CTC-1891796	I-U-10	7-1/4 X 10-1/4	1155.04
CTC-1864351	P-UB-10	2-1/2 X 6	215.29	CTC-1895369	P-UB-10	3-1/4 X 7	320.58
CTC-1864356	P-UB-10	2-1/2 X 5-1/2	285.58	CTC-1895370	P-UB-10	3-1/4 X 7	367.28
CTC-1864357	P-UB-10	2-1/2 X 6-1/2	150.10	CTC-1895371	P-UB-10	3-1/4 X 7	423.58
CTC-1864358	P-U-10	2-1/2 X 5-1/2	87.49	CTC-1895373	P-UB-10	3-1/4 X 8-1/4	269.39
CTC-1864359	P-UB-10	2-1/2 X 4-3/4	214.27	CTC-1895374	P-UB-10	3-1/4 X 7	172.99
CTC-1864362	P-UB-10	2-1/2 X 4-1/2	116.86	CTC-1895375	P-UB-10	3-1/4 X 7	238.22
CTC-1864363	P-UB-10	2-1/2 X 5	129.73	CTC-1895377	P-UB-10	3-1/4 x 9-1/4	385.72
CTC-1864365	P-UB-10	2-1/2 X 5	112.74	CTC-1895378	P-UB-10	3-1/4 X 9-1/4	367.98
CTC-1864366	P-UB-10	2-1/2 X 5	272.48	CTC-1895379	P-UB-10	3-1/4 X 9-1/4	393.76
CTC-1864368	P-UB-10	2-1/2 X 6	120.13	CTC-1895381	P-UB-10	3-1/4 X 5-1/2	230.88
CTC-1864369	P-UB-10	2-1/2 X 3-3/4	211.90	CTC-1895382	P-UB-10	3-1/4 X 5-1/2	466.26
CTC-1864371	P-UB-10	2-1/2 X 4	206.11	CTC-1895383	P-UB-10	3-1/4 X 8-1/4	443.36
CTC-1864373	P-UB-10	2-1/2 X 4-1/4	164.16	CTC-1895384	P-UB-10	3-1/4 X 7-3/4	289.24
CTC-1864375	P-UB-10	2-1/2 X 5-1/2	303.79	CTC-1895386	P-UB-10	3-1/4 X 7-1/4	407.39
CTC-1864378	P-UB-10	2-1/2 X 4-3/4	142.10	CTC-1895387	P-UB-10	3-1/4 X 6-1/2	336.40
CTC-1864379	P-UB-10	2-1/2 X 4	218.14	CTC-1905431	P-UB-10	3-1/4 X 8-1/4	332.88
CTC-1864380	P-UB-10	2-1/2 X 4	267.13	CTC-1905432	P-UB-10	3-1/4 X 9-1/4	554.30
CTC-1864381	P-UB-10	2-1/2 X 4-3/4	248.57	CTC-1905434	P-UB-10	3-1/4 X 9-1/4	402.50
CTC-1864382	P-UB-10	2-1/2 X 4-3/4	151.79	CTC-1908141	P-UB-10	2-1/2 X 4-1/2	271.37
CTC-1864383	P-UB-10	2-1/2 X 5	234.17	CTC-1912319	P-UB-10	3-1/4 X 5-1/2	307.68
CTC-1864386	P-UB-10	2-1/2 X 6-1/2	125.00	CTC-1912321	P-UB-10	3 X 5-1/2	315.21
CTC-1864388	P-UB-10	2-1/2 X 6-1/2	276.57	CTC-1912322	P-UB-10	3 X 5-1/2	192.07
CTC-1864389	P-U-10	2-1/2 X 5	189.31	CTC-1912430	P-U-10	3 X 6-1/2	208.13
CTC-1864391	P-UB-10	2-1/2 X 4-1/2	127.95	CTC-1912432	P-UB-10	3 X 6-1/2	168.92
CTC-1864392	P-UB-10	2-1/2 X 4	269.60	CTC-1912433	P-UB-10	3 X 7-1/4	358.38
CTC-1864393	P-UB-10	2-1/2 X 7-1/4	293.43	CTC-1912434	P-UB-10	3 X 7-1/4	213.67
CTC-1864394	P-UB-10	2-1/2 X 4-3/4	276.74	CTC-1913170	P-UB-10	110 X 170 mm	652.99
CTC-1864396	P-UB-10	2-1/2 X 5-1/2	320.04	CTC-1913171	P-UB-10	110 X 170 mm	384.59
CTC-1864397	P-UB-10	2-1/2 X 5-1/4	285.82	CTC-1913564	P-UB-10	3 X 6-1/2	157.39
CTC-1864398	P-UB-10	2-1/2 X 6-1/2	321.52	CTC-1913565	P-UB-10	3 X 6-1/2	194.61
CTC-1864399	P-UB-10	2-1/2 X 4-3/4	134.49	CTC-1915027	I-U-10	2-3/4 X 4	187.85
CTC-1864401	P-UB-10	4-3/4 X 6-1/2	570.71	CTC-1915028	P-UB-10	3 X 4-3/4	180.09
CTC-1864404	P-UB-10	2-1/8 X 4	159.35	CTC-1915029	P-UB-10	3 X 4-3/4	384.53
CTC-1864405	P-UB-10	2-3/8 X 4-1/4	218.96	CTC-1915030	P-UB-10	3 X 4-3/4	259.18
CTC-1864406	P-UB-10	2-1/8 X 3-1/2	242.59	CTC-1915031	P-UB-10	3 X 6	214.20
CTC-1869285	P-UB-10	5-1/2 X 10-1/2	698.24	CTC-1915619	P-UB-10	105 X 150 mm	259.52
CTC-1882847	Swivel Kit		353.59	CTC-1915649	P-UB-10	115 X 170 mm	508.33
CTC-1883143	P-UB-10	2-1/4 X 5	151.21	CTC-1916508	P-UB-10	3 X 7-1/4	251.66
CTC-1884219	P-UB-10	105 X 150 mm	259.52	CTC-1916511	P-UB-10	3 X 7-1/4	276.45
CTC-1884457	P-UB-10	95 X 160 mm	350.89	CTC-1917692	P-UB-10	3 X 6-1/4	266.65
CTC-1890263	P-UB-10	3-1/2 X 5-1/2	393.39	CTC-1917693	P-UB-10	3-1/4 X 9-1/4	506.93
CTC-1890264	P-UB-10	3-1/4 X 8-1/4	222.64	CTC-1917694	P-UB-10	3 X 6-1/4	347.87
CTC-1890267	P-UB-10	3-1/2 X 8-1/4	422.90	CTC-1917696	P-UB-10	3-1/4 X 9-1/4	573.52
CTC-1890268	P-U-10	2-3/4 X 5	122.84	CTC-1917721K	P-UB-10	1-1/2 X 3	66.36
CTC-1890269	P-UB-10	3 X 6-1/2	287.72	CTC-1917725K	P-UB-10	1-1/2 X 3	66.36
CTC-1890271	P-UB-10	2-3/8 X 3-3/4	84.58	CTC-1917753K	P-UB-10	2-3/8 X 4-1/2	131.33
CTC-1890272	P-UB-10	4-3/4 X 6	535.59	CTC-1917839K	I-UB-10	2-3/4 X 3-3/4	128.96
CTC-1890273	P-UB-10	3 X 4	333.51	CTC-1918161K	P-UB-10	2 X 4	74.80

CATERPILLAR®

REPLACEMENT KITS FOR CATERPILLAR® EQUIPMENT

NOTE: CATERPILLAR kit numbers are used as a reference only. We do not imply that these kits are original REPLACEMENT KITS.

Kit Number	Code (Pg. 14)	Rod X Bore Size	List Price	Kit Number	Code (Pg. 14)	Rod X Bore Size	List Price
CTC-1919203	P-UB-10	3 X 6-1/4	\$ 248.83	CTC-1933116	P-UB-10	3-1/2 X 7-3/4	\$ 242.28
CTC-1919204	P-UB-10	3 X 6	260.45	CTC-1933117	P-UB-10	2-3/4 X 4-1/2	178.48
CTC-1919205	P-UB-10	3-1/4 X 8-1/4	257.76	CTC-1934321	P-U-10	50 X 85 mm	215.67
CTC-1919206	P-UB-10	3-1/4 X 6-1/2	319.41	CTC-1934322	P-U-10	50 X 90 mm	142.51
CTC-1919207	P-UB-10	3-1/4 X 9-1/4	388.11	CTC-1934323	P-U-10	45 X 75 mm	116.61
CTC-1919208	P-UB-10	4 X 6-1/2	734.14	CTC-1934324	P-U-10	50 X 100 mm	203.77
CTC-1919209	P-UB-10	3-1/4 X 9-1/4	430.83	CTC-1934325	P-U-10	50 X 80 mm	185.74
CTC-1919212	P-UB-10	3 X 6	274.97	CTC-1935427	P-UB-10	2-3/4 X 6	150.38
CTC-1919214	P-UB-10	3-1/4 X 6-1/2	380.98	CTC-1935428	P-UB-10	2-3/4 X 7-1/4	285.59
CTC-1919216	P-UB-10	4 X 6-1/2	682.71	CTC-1935429	P-UB-10	4 X 7	484.15
CTC-1919605	P-U-10	45 X 60 mm	114.44	CTC-1935431	P-UB-10	2-1/8 X 4	140.15
CTC-1920738	P-UB-10	3-1/4 X 5-1/2	293.32	CTC-1935433	P-UB-10	3-1/2 X 8-1/4	335.91
CTC-1920739	P-UB-10	3-1/4 X 7-1/4	265.83	CTC-1935434	P-UB-10	4 X 7	517.38
CTC-1920740	P-UB-10	3-1/4 X 7-1/4	354.10	CTC-1935435	P-UB-10	4 X 7	551.56
CTC-1920742	P-UB-10	3 X 4-3/4	321.09	CTC-1935437	P-UB-10	4 X 7	524.27
CTC-1920743	P-UB-10	3 X 5-1/4	390.41	CTC-1935438	P-UB-10	2-3/4 X 6	108.18
CTC-1921409	P-UB-10	3 X 7-1/4	267.40	CTC-1935440	P-UB-10	2-3/4 X 7-1/4	402.30
CTC-1921411	P-UB-10	3 X 4-1/2	305.16	CTC-1937619	P-UB-10	2-3/4 X 5	277.01
CTC-1922811K	P-UB-10	2-1/4 X 4-1/2	117.91	CTC-1937620	P-UB-10	2-3/4 X 4-1/4	137.69
CTC-1923003	P-UB-10	3 X 8-1/4	490.74	CTC-1937621	P-UB-10	2-3/4 X 5-1/2	224.90
CTC-1923004	P-UB-10	3-1/4 X 6	337.51	CTC-1937622	P-UB-10	3-1/2 X 7-1/2	242.54
CTC-1923006	P-UB-10	3 X 5-1/4	292.50	CTC-1937623	P-UB-10	2-3/4 X 6	237.56
CTC-1923007	P-UB-10	3 X 4-3/4	284.64	CTC-1937624	P-UB-10	2-3/4 X 6-1/2	253.26
CTC-1923008	P-UB-10	3 X 4-3/4	248.15	CTC-1937625	P-UB-10	4 X 6	332.45
CTC-1923009	P-UB-10	2-3/4 X 6-1/4	389.07	CTC-1937626	P-UB-10	1-7/8 X 3	320.35
CTC-1923010	P-UB-10	3 X 5-1/4	213.63	CTC-1937628	P-UB-10	3-1/2 X 8-1/4	505.61
CTC-1923884K	P-UB-10	2 X 75 mm	109.69	CTC-1937629	P-UB-10	2-3/4 X 4-1/4	238.00
CTC-1926445K	P-UB-10	3-1/2 X 9-1/4	309.84	CTC-1937630	P-UB-10	2-3/4 X 5-1/2	316.92
CTC-1926446K	P-UB-10	3-1/2 X 9-1/4	309.84	CTC-1937631	P-UB-10	2-3/4 X 5-1/2	340.08
CTC-1932344	P-UB-10	3-1/2 X 6	427.98	CTC-1937633	P-UB-10	3-1/2 X 7-1/2	383.36
CTC-1932345	P-UB-10	3 X 5-1/4	251.55	CTC-1937635	P-UB-10	3-1/2 X 6-1/4	384.08
CTC-1932346	P-UB-10	3-1/2 X 6	488.65	CTC-1937637	P-UB-10	3-1/2 X 8-1/4	445.26
CTC-1932347	P-UB-10	3 X 5	293.13	CTC-1937639	P-UB-10	2-3/4 X 5-1/2	192.16
CTC-1932348	P-UB-10	3 X 7	412.64	CTC-1937640	P-UB-10	3-1/2 X 6-1/4	334.88
CTC-1933088	P-UB-10	1-7/8 X 3-1/4	140.15	CTC-1937852K	P-U-10	45 X 75 mm	116.67
CTC-1933089	P-UB-10	2-3/4 X 5	206.42	CTC-1937855K	P-U-10	45 X 80 mm	101.23
CTC-1933090	P-UB-10	2-3/4 X 6-1/2	312.90	CTC-1937859K	P-U-10	45 X 85 mm	118.69
CTC-1933091	P-UB-10	2-3/4 X 7-1/4	252.23	CTC-1939260	P-UB-10	4 X 8-1/2	553.87
CTC-1933092	P-UB-10	2-3/4 X 6-1/2	131.82	CTC-1939261	P-UB-10	3-3/4 X 6	382.48
CTC-1933093	P-UB-10	2-3/4 X 5-1/2	242.40	CTC-1939263	P-UB-10	3-3/4 X 6	408.90
CTC-1933094	P-UB-10	2-3/4 X 7	400.91	CTC-1939264	P-UB-10	3-1/2 X 7-1/4	278.57
CTC-1933096	P-UB-10	3-1/2 X 7-1/2	444.64	CTC-1939265	P-UB-10	3-1/2 X 4-1/2	438.71
CTC-1933097	P-UB-10	2-3/4 X 6-1/2	154.15	CTC-1939266	P-UB-10	3-1/2 X 10	544.04
CTC-1933098	P-UB-10	4 X 10	369.29	CTC-1939267	P-UB-10	2-3/4 X 6	268.30
CTC-1933099	P-UB-10	4 X 10	535.22	CTC-1939269	P-UB-10	2-3/4 X 5-1/2	195.50
CTC-1933102	P-UB-10	4 X 9-1/4	504.06	CTC-1939270	I-UB-10	2-3/4 X 3-3/4	162.88
CTC-1933103	P-UB-10	4 X 10-1/2	612.62	CTC-1942756	P-UB-10	3-1/2 X 4-1/2	528.87
CTC-1933104	P-UB-10	2-3/4 X 6-1/2	362.47	CTC-1944389	P-UB-10	3-3/4 X 6-1/2	307.38
CTC-1933106	P-UB-10	2-3/4 X 5-1/2	320.77	CTC-1944393	P-UB-10	3-3/4 X 6-1/2	307.66
CTC-1933108	P-UB-10	2-3/4 X 7	410.96	CTC-1944395	P-UB-10	7 X 11	1530.84
CTC-1933112	P-UB-10	4 X 9-1/4	375.71	CTC-1944396	P-UB-10	4 X 4-1/2	390.31
CTC-1933114	P-UB-10	2-3/4 X 7-1/4	368.52	CTC-1944397	P-UB-10	2-3/4 X 4	264.58
CTC-1933115	P-UB-10	3-1/2 X 8-1/2	570.58	CTC-1944398	P-UB-10	4 X 4-1/2	367.26

CATERPILLAR®

REPLACEMENT KITS FOR CATERPILLAR® EQUIPMENT

NOTE: CATERPILLAR kit numbers are used as a reference only. We do not imply that these kits are original REPLACEMENT KITS.

Kit Number	Code (Pg. 14)	Rod X Bore Size	List Price	Kit Number	Code (Pg. 14)	Rod X Bore Size	List Price
CTC-1944399	P-UB-10	3-1/2 X 4-1/2	\$ 391.10	CTC-2037756K	P-U-10	75 X 125 mm	\$ 232.00
CTC-1945583	P-UB-10	2-3/8 X 4-1/2	130.60	CTC-2037847K	P-U-10	45 X 75 mm	76.48
CTC-1945586	P-UB-10	3-1/2 X 10-1/2	581.17	CTC-2037847K2	P-U-10	45 X 75 mm	86.40
CTC-1945587	P-UB-10	3-1/2 X 8-1/4	303.60	CTC-2041129	P-UB-10	1-3/4 X 3-1/2	224.52
CTC-1945588	P-UB-10	7 X 11	928.41	CTC-2042721	P-UB-10	110 X 160 mm	371.52
CTC-1945591	P-UB-10	4-1/4 X 6-1/2	630.14	CTC-2042726	P-UB-10	145 X 210 mm	560.37
CTC-1945593	P-V-10	1-1/4 X 4	205.88	CTC-2043398	P-UB-10	2-1/2 X 4-1/2	315.30
CTC-1945594	P-UB-10	4-3/4 X 7-1/4	635.08	CTC-2043616	P-UB-10	100 X 140 mm	246.59
CTC-1945596	P-UB-10	3-3/4 X 7-3/4	359.36	CTC-2043625	P-UB-10	85 X 120 mm	381.12
CTC-1945600	P-UB-10	2-3/8 X 4	90.25	CTC-2043626	P-UB-10	100 X 140 mm	302.78
CTC-1945603	I-UB-10	2-3/4 X 3-3/4	139.91	CTC-2043627	P-UB-10	85 X 120 mm	223.74
CTC-1945604	P-UB-10	2-1/8 X 4	259.28	CTC-2043628	P-UB-10	85 X 125 mm	240.76
CTC-1945605	P-UB-10	4-1/4 X 6-1/2	512.77	CTC-2043629	P-UB-10	90 X 130 mm	434.17
CTC-1945606	P-UB-10	4-1/4 X 7-3/4	407.87	CTC-2043630	P-UB-10	90 X 130 mm	404.95
CTC-1945608	P-UB-10	4 X 8-1/2	449.62	CTC-2043692	P-UB-10	85 X 120 mm	237.10
CTC-1945610	P-UB-10	4-3/4 X 7-1/4	557.71	CTC-2044916K	P-UB-10	145 X 210 mm	728.04
CTC-1945611	P-UB-10	4-3/4 X 7	511.35	CTC-2047813K	P-U-10	2 X 100 mm	121.72
CTC-1945612	P-UB-10	4-3/4 X 6-1/2	495.03	CTC-2050055K	P-U-10	2 X 100 mm	121.72
CTC-1945614	I-UB-10	2-1/2 X 3-1/2	297.76	CTC-2058668	P-UB-10	3 X 7-1/4	391.64
CTC-1948235	P-UB-10	110 X 160 mm	378.61	CTC-2060520K	P-UB-10	2-1/8 X 4	130.29
CTC-1948363	P-UB-10	100 X 140 mm	643.80	CTC-2060522K	P-UB-10	2-1/8 X 4	130.29
CTC-1948366	P-UB-10	105 X 150 mm	599.78	CTC-2062857	P-UB-10	3-1/4 X 5-1/2	388.76
CTC-1948396	P-UB-10	110 X 160 mm	338.83	CTC-2063805	P-U-10	45 X 65 mm	157.16
CTC-1978079K	P-UB-10	2-1/2 X 4	78.76	CTC-2072068K	P-U-10	55 X 125 mm	238.66
CTC-1978083K	P-UB-10	2-1/2 X 4	78.76	CTC-2072084	I-U-15	50 X 90 mm	561.10
CTC-1980648K	I-U-10	45 mm X 60	74.91	CTC-2089504	P-UB-10	105 X 150 mm	207.05
CTC-1987021K	P-U-10	50 X 80 mm	185.79	CTC-2089505	P-UB-10	150 X 220 mm	560.51
CTC-1989433	P-U-10	55 X 100 mm	139.82	CTC-2089506	P-UB-10	140 X 200 mm	809.65
CTC-1990609	P-U-10	55 X 85 mm	132.69	CTC-2089508	P-UB-10	100 X 140 mm	229.63
CTC-1991149	P-U-10	45 X 75 mm	111.84	CTC-2089509	P-UB-10	90 X 130 mm	516.33
CTC-1992097	P-U-10	50 X 90 mm	154.36	CTC-2092101	P-UB-10	3 X 5-1/2	285.69
CTC-1992402	P-U-10	55 X 100 mm	142.28	CTC-2094979	P-UB-10	1-7/8 X 3-1/4	72.28
CTC-1997416	P-UB-10	105 X 150 mm	329.90	CTC-2095873	P-UB-10	90 X 130 mm	620.06
CTC-1997417	P-UB-10	110 X 170 mm	356.99	CTC-2095874	P-UB-10	100 X 140 mm	406.41
CTC-2000920	P-U-10	70 X 130 mm	239.56	CTC-2095959	P-UB-10	95 X 130 mm	756.94
CTC-2003239	P-UB-10	75 X 120 mm	133.53	CTC-2101427	P-UB-10	90 X 160 mm	546.50
CTC-2003240	P-UB-10	70 X 100 mm	154.05	CTC-2106150	P-UB-10	105 X 150 mm	468.59
CTC-2003242	P-UB-10	55 X 100 mm	225.85	CTC-2106151	P-UB-10	105 X 150 mm	552.16
CTC-2003315	P-UB-10	105 X 150 mm	259.52	CTC-2107077K	P-UB-10	2-1/4 X 4-1/4	93.76
CTC-2003361	P-UB-10	75 X 130 mm	316.73	CTC-2107078K	P-UB-10	2-1/4 X 4-1/4	89.96
CTC-2003495	P-UB-10	140 X 200 mm	440.68	CTC-2107081K	P-UB-10	65 mm X 4-3/4	302.27
CTC-2003497	P-UB-10	150 X 220 mm	774.48	CTC-2107082K	P-UB-10	65 mm X 4-3/4	302.27
CTC-2003498	P-UB-10	130 X 190 mm	500.57	CTC-2107085K	I-UB-10	2-3/8 X 85 mm	95.12
CTC-2003499	P-UB-10	130 X 180 mm	485.53	CTC-2107087K	I-UB-10	2-1/2 X 3-1/2	57.95
CTC-2003572	P-UB-10	110 X 160 mm	374.24	CTC-2107088K	I-UB-10	2-1/2 X 3-1/2	53.65
CTC-2003621	P-UB-10	130 X 190 mm	739.38	CTC-2107091K	P-UB-10	2-1/2 X 5	120.68
CTC-2007128K	P-UB-10	2 X 4	74.87	CTC-2110620	P-UB-10	2-1/2 X 5-1/4	280.89
CTC-2011056K	P-UB-10	1-1/2 X 2-3/4	69.32	CTC-2115306	P-UB-10	140 X 200 mm	728.14
CTC-2014838	P-UB-10	3 X 4-3/4	352.60	CTC-2118740	P-UB-10	85 X 130 mm	481.79
CTC-2022263	P-UB-10	100 X 140 mm	548.99	CTC-2118742	P-UB-10	2-1/2 X 4	269.93
CTC-2022264	P-UB-10	105 X 150 mm	579.79	CTC-2119614	P-UB-10	90 X 130 mm	252.68
CTC-2027897	I-U-5	40 X 60 mm	66.15	CTC-2126328K	P-U-10	35 X 65 mm	82.44
CTC-2028910K	P-U-10	4 X 5-1/4	222.95	CTC-2126329K	P-U-10	40 X 70 mm	69.94

CATERPILLAR®

REPLACEMENT KITS FOR CATERPILLAR® EQUIPMENT

NOTE: CATERPILLAR kit numbers are used as a reference only. We do not imply that these kits are original REPLACEMENT KITS.

Kit Number	Code (Pg. 14)	Rod X Bore Size	List Price	Kit Number	Code (Pg. 14)	Rod X Bore Size	List Price
CTC-2126337K	P-U-10	45 X 75 mm	\$ 96.92	CTC-2280809	P-UB-10	2-3/4 X 5-1/2	\$ 195.50
CTC-2138433	I-U-10	2-1/2 X 5	19.97	CTC-2281775	P-UB-10	3-1/2 X 7-3/4	255.21
CTC-2144502	P-UB-10	100 X 140 mm	246.59	CTC-2281776	P-UB-10	3 X 5-1/4	173.42
CTC-2146321	P-UB-10	100 X 140 mm	613.47	CTC-2281778	P-UB-10	2 X 3-1/2	124.32
CTC-2147581	P-UB-10	100 X 140 mm	615.06	CTC-2281779	P-UB-10	3-1/4 X 7	240.29
CTC-2149170	P-UB-10	3-1/4 X 8-1/4	271.47	CTC-2281780	P-UB-10	3-1/4 X 8-1/4	378.56
CTC-2152023	I-U-10	36 X 65 mm	170.91	CTC-2281792	P-UB-10	3-1/4 X 7	228.88
CTC-2152436	P-UB-10	4-3/4 X 7	570.96	CTC-2281793	P-UB-10	3 X 6	231.71
CTC-2159984	P-UB-10	95 X 130 mm	173.70	CTC-2281795	P-UB-10	1-3/4 X 3-1/2	157.01
CTC-2159985	P-UB-10	100 X 140 mm	196.01	CTC-2282533	P-UB-10	3-1/2 X 9-1/4	503.82
CTC-2159986	P-UB-10	90 X 130 mm	200.07	CTC-2285271	P-UB-10	2-1/2 X 4-3/4	128.50
CTC-2159988	P-UB-10	110 X 160 mm	319.62	CTC-2285272	P-UB-10	2-1/2 X 4-3/4	142.10
CTC-2159989	P-UB-10	110 X 160 mm	407.48	CTC-2285273	P-UB-10	2-1/2 X 5-1/2	133.24
CTC-2159990	P-UB-10	110 X 170	354.08	CTC-2285274	P-UB-10	2-3/4 X 5-1/2	346.78
CTC-2159995	P-UB-10	140 X 200 mm	606.77	CTC-2285275	P-UB-10	2-3/4 X 5-1/2	296.39
CTC-2159996	P-UB-10	130 X 180 mm	457.60	CTC-2290334	P-UB-10	3-1/4 X 7	286.81
CTC-2159999	P-UB-10	145 X 210 mm	560.37	CTC-2292626	P-UB-10	2-1/2 X 4	157.40
CTC-2167247	P-U-10	55 X 100 mm	215.49	CTC-2292758	P-UB-10	3 X 4-1/2	135.96
CTC-2167388K	P-UB-10	1-1/2 X 2-3/4	69.32	CTC-2292968	P-UB-10	3 X 4-3/4	368.66
CTC-2167644	P-U-10	50 X 85 mm	140.65	CTC-2293635	P-UB-10	3-1/2 X 6-1/4	456.44
CTC-2167858	P-UB-10	2-1/2 X 4	167.23	CTC-2293636	P-UB-10	3-1/2 X 6-1/4	509.55
CTC-2168100	P-U-10	45 X 70 mm	303.88	CTC-2295507	P-UB-10	4 X 7	387.74
CTC-2171007	P-UB-10	105 X 180 mm	531.07	CTC-2295538	P-UB-10	2-1/2 X 4	266.02
CTC-2171643	P-U-10	55 X 85 mm	228.06	CTC-2295546	P-UB-10	4-1/2 X 220 mm	591.43
CTC-2172886	I-U-10	38 X 85 mm	216.10	CTC-2295549	P-UB-10	5 X 220 mm	804.31
CTC-2179894	P-UB-10	55 X 4-1/2	195.31	CTC-2297173	P-UB-10	3-1/4 X 8-1/2	492.33
CTC-2186822	P-U-10	35 X 70 mm	118.13	CTC-2297176	P-UB-10	5-3/4 X 11-1/2	547.31
CTC-2186823	P-U-10	40 X 60 mm	94.81	CTC-2297189	P-UB-10	7 X 11	1010.97
CTC-2186824	P-U-10	45 X 65 mm	100.03	CTC-2297190	P-UB-10	5-1/2 X 11	725.66
CTC-2186825	P-U-10	30 X 65 mm	91.47	CTC-2297191	P-UB-10	3-1/4 X 5-1/2	368.97
CTC-2186826	P-U-10	35 X 50 mm	60.91	CTC-2297194	P-UB-10	2-1/2 X 4-1/2	88.26
CTC-2186827	P-U-10	45 X 60 mm	91.87	CTC-2304001	P-UB-10	110 X 180 mm	420.27
CTC-2190541K	P-U-10	40 X 65 mm	72.84	CTC-2309267K	P-U-10	45 X 85 mm	128.45
CTC-2191322	P-U-5	40 X 70 mm	55.25	CTC-2309357	I-U-10	1-1/2 X 3	88.69
CTC-2199066	P-U-10	55 X 95 mm	257.14	CTC-2310898	P-UB-10	2-1/2 X 4-1/2	120.66
CTC-2222376	P-UB-10	65 X 100 mm	244.72	CTC-2315021	I-UB-10	2-3/4 X 3-3/4	118.58
CTC-2235944	I-UB-10	2-3/4 X 3-3/4	126.77	CTC-2316844	P-UB-10	115 X 170 mm	508.33
CTC-2235945	I-UB-10	2-1/2 X 3-1/2	115.37	CTC-2316845	P-UB-10	115 X 170 mm	518.98
CTC-2245091K	P-UB-10	1-1/2 X 3	53.62	CTC-2330761	P-UB-10	95 X 130 mm	563.28
CTC-2251846K	P-U-10	4 X 5-1/4	222.95	CTC-2330763	P-UB-10	100 X 170 mm	359.55
CTC-2254625	P-UB-10	110 X 160 mm	431.63	CTC-2330764	P-UB-10	95 X 160 mm	324.55
CTC-2254646	P-UB-10	130 X 190	514.54	CTC-2331014	P-U-10	70 X 100 mm	128.50
CTC-2256727K	P-UB-10	3 X 4-3/4	209.91	CTC-2332622	P-UB-10	50 X 100 mm	99.54
CTC-2269959K	P-U-10	35 X 65 mm	82.44	CTC-2332623	P-UB-10	55 X 100 mm	173.23
CTC-2270841K	P-UB-10	2-1/2 X 6	116.62	CTC-2332628	P-U-10	1-7/8 X 3-1/4	221.71
CTC-2275347	P-UB-10	2-1/2 X 5	150.12	CTC-2339204	P-UB-10	1-1/2 X 2-3/4	100.11
CTC-2275348	P-UB-10	2-3/4 X 4-1/2	192.50	CTC-2339205	P-UB-10	2 X 4	68.83
CTC-2275349	P-UB-10	3 X 4-3/4	158.76	CTC-2341902	I-U-15	30 mm X 50 mm	34.92
CTC-2275350	P-UB-10	1-3/4 X 3	53.51	CTC-2341948	P-UB-10	2-1/2 X 4-3/4	144.97
CTC-2280320K	P-UB-10	2 X 4	112.91	CTC-2341949	P-UB-10	2-1/2 X 4	78.76
CTC-2280806	P-UB-10	3 X 7	465.32	CTC-2341950	P-UB-10	2-1/2 X 5-1/4	185.63
CTC-2280807	P-UB-10	3 X 6-1/4	425.92	CTC-2341951	P-UB-10	2-1/2 X 4-1/4	264.60
CTC-2280808	P-UB-10	2-3/4 X 6-1/4	389.07	CTC-2342590	P-UB-10	5-1/2 X 10-1/2	845.32

CATERPILLAR®

REPLACEMENT KITS FOR CATERPILLAR® EQUIPMENT

NOTE: CATERPILLAR kit numbers are used as a reference only. We do not imply that these kits are original REPLACEMENT KITS.

Kit Number	Code (Pg. 14)	Rod X Bore Size	List Price	Kit Number	Code (Pg. 14)	Rod X Bore Size	List Price
CTC-2342591	P-UB-10	2-1/4 X 4	\$ 103.20	CTC-2402482	P-UB-10	1-3/4 X 2-3/4	\$ 65.74
CTC-2342592	P-UB-10	1-1/2 X 2-1/2	198.24	CTC-2402484	P-UB-10	1-3/4 X 2-1/2	177.04
CTC-2342593	P-UB-10	1-7/8 X 3-1/4	101.56	CTC-2404713	P-UB-10	1-3/4 X 2-3/4	159.60
CTC-2342594	P-UB-10	1-3/4 X 3	63.01	CTC-2404819	P-UB-10	1-3/4 X 4	173.81
CTC-2342595	P-UB-10	1-3/4 X 2-3/4	222.42	CTC-2405500	P-UB-10	1-3/4 X 2-1/2	92.27
CTC-2344442	P-UB-10	110 X 170 mm	382.11	CTC-2405524	P-UB-10	1-3/4 X 3	193.91
CTC-2344488	P-UB-10	95 X 135 mm	228.92	CTC-2406029K	I-UB-10	2-3/4 X 3-3/4	118.58
CTC-2344566	P-UB-10	100 X 140 mm	233.91	CTC-2406030K	I-UB-10	2-3/4 X 3-3/4	118.58
CTC-2344576	P-UB-10	105 X 150 mm	537.24	CTC-2406869	P-UB-10	2 X 3-3/4	202.01
CTC-2344587	P-UB-10	95 X 135 mm	214.64	CTC-2406883	P-UB-10	2 X 5	279.20
CTC-2344666	P-UB-10	140 X 200 mm	555.58	CTC-2406899	P-UB-10	2 X 4	68.83
CTC-2344667	P-UB-10	150 X 220 mm	1117.66	CTC-2407308	P-UB-10	2 X 3-1/2	113.30
CTC-2344673	P-UB-10	130 X 180 mm	470.57	CTC-2407347K	P-UB-10	3-1/2 X 7-1/4	296.64
CTC-2344674	P-UB-10	110 X 160 mm	353.14	CTC-2408479	P-U-10	2 X 5	259.56
CTC-2349446	I-U-15	36 mm X 70 mm	84.80	CTC-2408513	P-V-10	2 X 4	258.87
CTC-2350351	P-UB-10	1-3/4 X 2-3/4	232.00	CTC-2408515	P-U-10	2 X 3-1/2	172.30
CTC-2350352	P-UB-10	1-3/4 X 2-3/4	161.04	CTC-2408523	P-UB-10	2 X 4-1/4	92.17
CTC-2350353	P-UB-10	1-3/4 X 3	228.27	CTC-2408525	P-UB-10	2 X 3-1/4	73.91
CTC-2350354	P-UB-10	1-1/2 X 3	54.98	CTC-2409518	P-UB-10	2 X 3-3/4	245.42
CTC-2350355	P-UB-10	2-1/4 X 3-1/2	256.63	CTC-2409538	P-UB-10	2 X 4	110.44
CTC-2350969	P-UB-10	2-1/4 X 3-3/4	266.34	CTC-2409936	P-UB-10	2 X 4-1/2	225.17
CTC-2350970	P-UB-10	2-5/8 X 5-1/4	170.97	CTC-2409938	P-UB-10	2 X 4-1/4	194.61
CTC-2350972	P-UB-10	2-3/8 X 4-1/2	101.95	CTC-2409939	P-UB-10	2 X 4-1/4	225.33
CTC-2350973	P-UB-10	2-3/8 X 4-3/4	159.96	CTC-2409941	P-UB-10	2 X 4	248.81
CTC-2350974	P-UB-10	3-1/2 X 7	218.87	CTC-2409942	P-UB-10	2 X 4-1/2	258.56
CTC-2355802	P-UB-10	2-3/4 X 6-1/2	116.19	CTC-2410108	P-U-10	2 X 4-3/4	252.21
CTC-2355804	P-UB-10	2-3/4 X 6-1/2	319.76	CTC-2410109	P-UB-10	2 x 75 mm	145.98
CTC-2359829K	P-UB-10	2-1/2 X 4-1/2	88.20	CTC-2410110	P-UB-10	2 x 85 mm	197.42
CTC-2366368	P-UB-10	85 X 120 mm	175.29	CTC-2410895	P-UB-10	2-1/4 X 5	97.85
CTC-2366389	P-U-10	85 X 120 mm	175.29	CTC-2410896	P-UB-10	2-1/4 X 4-1/2	121.02
CTC-2369769K	P-UB-10	3 X 4-3/4	160.61	CTC-2410897	P-UB-10	2-1/4 X 4-1/2	73.90
CTC-2370922	P-UB-10	2-1/4 X 4-1/2	153.33	CTC-2410898	P-UB-10	2-1/4 X 4-1/4	90.65
CTC-2374076	Swivel Kit		180.15	CTC-2410899	P-UB-10	2-1/4 X 4	222.41
CTC-2375448	P-UB-10	4 X 230 mm	644.56	CTC-2410900	P-UB-2	2-1/4 X 3-3/4	65.35
CTC-2378277	P-UB-10	2 X 4	82.58	CTC-2410901	P-UB-10	2-1/4 X 4	88.74
CTC-2378313	P-UB-10	3 X 6	345.11	CTC-2410902	P-UB-10	2-1/4 X 4-3/4	123.56
CTC-2384462	P-UB-10	2 X 3	71.73	CTC-2410903	P-UB-10	2-1/4 X 3-1/2	123.79
CTC-2384487	P-V-10	2 X 5	90.00	CTC-2414062K	P-UB-10	3 X 5	204.79
CTC-2384501	P-UB-10	2 X 4-1/4	68.09	CTC-2414071K	P-UB-10	3 X 4-1/2	180.99
CTC-2386661	P-UB-10	2 X 3-1/4	67.32	CTC-2417578	P-UB-10	2-1/4 X 5	101.85
CTC-2386718	P-UB-10	2 X 4-1/2	66.22	CTC-2417579	P-UB-10	2-1/4 X 4-1/4	267.38
CTC-2386859	P-UB-10	2 X 3-1/2	111.12	CTC-2417580	P-UB-10	2-1/4 X 4-3/4	266.14
CTC-2386882	P-U-10	2 X 4-1/2	242.93	CTC-2417584	P-UB-10	2-1/4 X 4-1/2	120.14
CTC-2388157	Swivel Kit		208.72	CTC-2417585	P-UB-10	2-1/4 X 4-1/2	117.91
CTC-2392956	P-U-10	25 X 50 mm	53.94	CTC-2417619	P-UB-10	145 X 210 mm	712.02
CTC-2395021	P-UB-10	7-1/2 X 11	879.05	CTC-2418916	P-UB-10	2-1/4 X 3-1/2	298.10
CTC-2400453	P-UB-10	40 X 65 mm	115.71	CTC-2418917	P-UB-10	2-1/4 X 4-1/2	280.32
CTC-2401661	P-UB-10	1-3/4 X 3-1/2	126.98	CTC-2418919	P-UB-10	2-1/4 X 4-1/2	288.54
CTC-2401671	P-UB-10	1-3/4 X 3-1/4	59.94	CTC-2418920	P-U-10	2-1/4 X 4-3/4	241.41
CTC-2401881	P-UB-10	1-3/4 X 3-1/2	115.17	CTC-2418921	P-UB-10	2-1/4 X 4	118.46
CTC-2401905	P-UB-10	1-3/4 X 4	165.57	CTC-2418924	P-UB-10	2-3/4 X 4-1/2	121.58
CTC-2402016	P-UB-10	1-3/4 X 3	66.44	CTC-2418925	P-UB-10	2-3/8 X 4	90.35
CTC-2402481	P-UB-10	1-3/4 X 3-3/4	72.36	CTC-2419297	P-UB-10	2-1/4 X 4	246.94

CATERPILLAR®

REPLACEMENT KITS FOR CATERPILLAR® EQUIPMENT

NOTE: CATERPILLAR kit numbers are used as a reference only. We do not imply that these kits are original REPLACEMENT KITS.

Kit Number	Code (Pg. 14)	Rod X Bore Size	List Price	Kit Number	Code (Pg. 14)	Rod X Bore Size	List Price
CTC-2422538	P-UB-10	2-1/2 X 4-1/4	\$ 91.30	CTC-2435809	P-U-10	2-3/4 X 5	\$ 116.20
CTC-2422539	P-UB-10	2-1/2 X 5-1/2	127.95	CTC-2435810	P-UB-10	2-3/4 X 5-1/4	198.85
CTC-2422540	P-UB-10	2-1/2 X 6	149.65	CTC-2435811	P-UB-10	2-3/4 X 5	98.78
CTC-2422541	P-UB-10	2-1/2 X 6-1/2	435.36	CTC-2435812	P-UB-10	2-3/4 X 6-1/2	213.88
CTC-2422542	P-UB-10	2-1/2 X 5	129.29	CTC-2435814	P-UB-10	2-3/4 X 7-1/4	384.60
CTC-2422543	P-UB-10	2-1/1 X 4	96.40	CTC-2435815	P-UB-10	2-3/4 X 7	361.32
CTC-2422544	P-UB-10	2-1/2 X 7-1/4	129.71	CTC-2435816	P-UB-10	2-3/4 X 6-1/2	148.12
CTC-2422545	P-UB-10	2-1/2 X 6	379.38	CTC-2435818	P-UB-10	2-3/4 X 7	446.69
CTC-2422546	P-UB-10	2-1/2 X 4-1/4	99.41	CTC-2435820	P-UB-10	2-3/4 X 7-1/4	357.00
CTC-2422547	P-UB-10	2-1/2 X 4-1/4	91.55	CTC-2436225	P-UB-10	4-1/4 X 8-1/4	369.34
CTC-2422548	P-UB-10	2-1/2 X 4	92.22	CTC-2440953	P-UB-10	2-3/4 X 6	163.92
CTC-2422549	P-UB-10	2-1/2 X 6-1/2	141.59	CTC-2440954	P-UB-10	2-3/4 X 7-1/4	242.56
CTC-2422550	P-UB-10	2-1/2 X 6	173.39	CTC-2440955	P-UB-10	2-3/4 X 6	108.18
CTC-2422551	P-UB-10	2-1/2 X 3-3/4	87.47	CTC-2440957	P-UB-10	2-3/4 X 7-1/4	454.48
CTC-2422552	P-U-10	2-1/2 X 6	280.68	CTC-2440958	P-UB-10	2-3/4 X 5	190.52
CTC-2422553	P-U-10	2-1/2 X 5	131.22	CTC-2440959	P-UB-10	2-3/4 X 4-1/4	160.01
CTC-2422554	P-U-10	2-1/2 X 6-1/2	295.27	CTC-2440960	P-UB-10	2-3/4 X 5-1/2	288.38
CTC-2422555	P-U-10	2-1/2 X 6-1/2	294.52	CTC-2440961	P-UB-10	2-3/4 X 6	117.98
CTC-2422556	P-U-10	2-1/2 X 6	145.48	CTC-2440962	P-UB-10	2-3/4 X 6-1/2	328.06
CTC-2422557	P-U-10	2-1/2 X 6	138.53	CTC-2440964	P-UB-10	2-3/4 X 4-1/4	127.53
CTC-2422558	P-UB-10	2-1/2 X 6	107.60	CTC-2440965	P-UB-10	2-3/4 X 5-1/2	344.95
CTC-2424270K	P-UB-10	3-1/4 X 6-1/4	336.05	CTC-2440966	P-UB-10	2-3/4 X 5-1/2	367.62
CTC-2424271K	P-UB-10	3-1/4 X 5-3/4	405.39	CTC-2440969	P-UB-10	2-3/4 X 6	322.91
CTC-2424272K	P-UB-10	3-1/4 X 5-3/4	405.39	CTC-2440971	P-UB-10	2-3/4 X 4	282.90
CTC-2424273K	P-UB-10	3-1/4 X 170 mm	350.05	CTC-2440972	P-UB-10	2-3/4 X 5	304.93
CTC-2426770K	P-UB-10	90 X 130 mm	217.48	CTC-2440973	P-UB-10	2-3/4 X 6	356.99
CTC-2426840	P-UB-10	105 X 150 mm	280.78	CTC-2440974	P-UB-10	2-3/4 X 5-3/8	180.60
CTC-2430381	P-UB-10	2-1/2 X 5-1/2	118.99	CTC-2440975	P-UB-10	3 X 6-1/2	369.88
CTC-2430382	P-UB-10	2-1/2 X 6-1/2	175.21	CTC-2440976	P-UB-10	3 X 4	121.60
CTC-2430383	P-UB-10	2-1/2 X 5-1/2	100.89	CTC-2440978	P-UB-10	3 X 5-1/2	435.50
CTC-2430384	P-UB-10	2-1/2 X 5	129.73	CTC-2440979	P-UB-10	3 X 5-1/2	160.73
CTC-2430386	P-UB-10	2-1/2 X 5	112.74	CTC-2440980	P-UB-10	3 X 6-1/2	245.08
CTC-2430387	P-UB-10	2-1/2 X 5	333.32	CTC-2442044	P-UB-10	3 X 6-1/2	168.92
CTC-2430388	P-UB-10	2-1/2 X 6	114.05	CTC-2442046	P-UB-10	3 X 7-1/4	242.44
CTC-2430389	P-UB-10	2-1/2 X 3-3/4	244.00	CTC-2442047	P-UB-10	3 X 7-1/4	405.12
CTC-2430391	P-UB-10	2-1/2 X 4	107.75	CTC-2442049	P-UB-10	3 X 6-1/2	168.17
CTC-2430393	P-UB-10	2-1/2 X 4-1/4	297.34	CTC-2442050	P-UB-10	3 X 6-1/2	194.80
CTC-2430395	P-UB-10	2-1/2 X 5-1/2	338.72	CTC-2442053	P-UB-10	3 X 6	517.22
CTC-2430397	P-UB-10	2-1/2 X 4	181.46	CTC-2442054	P-UB-10	3 X 4-3/4	362.52
CTC-2430398	P-UB-10	2-1/2 X 4-3/4	286.23	CTC-2442055	P-UB-10	3 X 6	193.10
CTC-2432276	P-U-10	50 X 85 mm	132.85	CTC-2442056	P-UB-10	3 X 7-1/4	200.39
CTC-2435796	P-UB-10	2-1/2 X 6-1/2	122.53	CTC-2442059	P-UB-10	3 X 7-1/4	372.96
CTC-2435797	P-UB-10	2-1/2 X 6-1/2	330.27	CTC-2442060	P-UB-10	3 X 6-1/4	220.98
CTC-2435798	P-UB-10	2-1/2 X 4-1/2	121.01	CTC-2442061	P-UB-10	3 X 6-1/4	253.69
CTC-2435799	P-UB-10	2-1/2 X 7-1/4	317.07	CTC-2442062	P-UB-10	3 X 6	260.45
CTC-2435800	P-UB-10	2-1/2 X 4-3/4	283.08	CTC-2442064	P-UB-10	3 X 6	112.66
CTC-2435801	P-UB-10	2-1/2 X 5-1/2	333.64	CTC-2442067	P-UB-10	3 X 7-1/4	214.20
CTC-2435802	P-UB-10	2-1/2 X 5-1/4	347.14	CTC-2442069	P-UB-10	3 X 8-1/4	516.06
CTC-2435803	P-UB-10	2-1/2 X 6-1/2	352.46	CTC-2442070	P-UB-10	3 X 4-3/4	284.64
CTC-2435804	P-UB-10	2-1/2 X 4-3/4	277.93	CTC-2442071	P-UB-10	3 X 4-3/4	379.14
CTC-2435805	P-UB-10	2-1/2 X 4-1/2	117.64	CTC-2442072	P-UB-10	3 X 5-1/4	392.76
CTC-2435806	P-UB-10	2-1/2 X 4-1/2	287.03	CTC-2442073	P-UB-10	3 X 5-1/4	165.97
CTC-2435808	P-UB-10	2-3/4 X 4-1/2	233.04	CTC-2442074	P-UB-10	3 X 5	138.66

REPLACEMENT KITS FOR CATERPILLAR® EQUIPMENT

NOTE: CATERPILLAR kit numbers are used as a reference only. We do not imply that these kits are original REPLACEMENT KITS.

Kit Number	Code (Pg. 14)	Rod X Bore Size	List Price	Kit Number	Code (Pg. 14)	Rod X Bore Size	List Price
CTC-2442075	P-UB-10	3 X 4-3/4	\$ 354.23	CTC-2456836	P-UB-10	3-1/2 X 7-1/2	\$ 399.51
CTC-2442076	P-UB-10	3 X 7-1/4	356.92	CTC-2456837	P-UB-10	3-1/2 X 8-1/4	268.45
CTC-2442077	P-UB-10	3 X 5-1/2	351.38	CTC-2456839	P-UB-10	3-1/2 X 7-1/4	278.57
CTC-2442079	P-UB-10	3-1/4 X 5-1/2	207.07	CTC-2456840	P-UB-10	3-1/2 X 4-1/2	436.22
CTC-2442080	P-UB-10	3-1/4 X 5-1/2	200.15	CTC-2457484K	P-UB-10	3-1/4 X 170 mm	350.05
CTC-2445647	P-UB-10	3-3/4 X 6	382.48	CTC-2457487K	P-UB-10	3-1/2 X 7-1/2	413.37
CTC-2450579	P-UB-10	3-1/4 X 5-1/2	258.43	CTC-2457491K	P-UB-10	3-1/4 X 6-1/4	336.05
CTC-2450580	P-UB-10	3-1/4 X 8-1/4	433.82	CTC-2459835	P-UB-10	2-3/8, 3-3/4, 6	587.85
CTC-2450581	P-UB-10	3-1/4 X 7	390.68	CTC-2459838	P-UB-10	3-3/4 X 6-1/2	502.00
CTC-2450582	P-UB-10	3-1/4 X 7	443.46	CTC-2459839	P-UB-10	3-3/4 X 6-1/2	355.48
CTC-2450584	P-UB-10	3-1/4 X 8-1/4	269.39	CTC-2459840	P-UB-10	3-3/4 X 7-3/4	534.46
CTC-2450585	P-UB-10	3-1/4 X 7	172.99	CTC-2459842	P-UB-10	100 X 140 mm	255.97
CTC-2450586	P-UB-10	3-1/4 X 7	401.33	CTC-2460635	P-UB-10	3-1/2 X 10	725.32
CTC-2450588	P-UB-10	3-1/4 X 9-1/4	431.27	CTC-2460636	P-UB-10	3-1/2 X 4-1/2	393.12
CTC-2450589	P-UB-10	3-1/4 X 9-1/4	367.98	CTC-2460637	P-UB-10	3-1/2 X 10-1/2	673.73
CTC-2450590	P-UB-10	3-1/4 X 9-1/4	561.11	CTC-2460638	P-UB-10	3-1/2 X 8-1/4	195.54
CTC-2450592	P-UB-10	3-1/4 X 5-1/2	233.44	CTC-2460639	P-UB-10	3-1/2 X 7-1/4	437.31
CTC-2450593	P-UB-10	3-1/4 X 8-1/4	463.30	CTC-2460641	P-UB-10	4 X 6-1/2	782.05
CTC-2450594	P-UB-10	3-1/4 X 7-3/4	289.24	CTC-2460643	P-UB-10	4 X 6-1/2	706.16
CTC-2450596	P-UB-10	3-1/4 X 7-1/4	285.96	CTC-2460644	P-UB-10	4 X 10	612.88
CTC-2450597	P-UB-10	3-1/4 X 6-1/2	357.34	CTC-2460645	P-UB-10	4 X 10	703.57
CTC-2450599	P-UB-10	3-1/4 X 8-1/4	217.97	CTC-2460648	P-UB-10	4 X 9-1/4	504.06
CTC-2450600	P-UB-10	3-1/4 X 9-1/4	399.35	CTC-2460649	P-UB-10	4 X 10-1/2	760.89
CTC-2450601	P-UB-10	3-1/4 X 5-1/2	543.83	CTC-2460652	P-UB-10	4 X 9-1/4	375.71
CTC-2450602	P-UB-10	3-1/4 X 9-1/4	566.16	CTC-2460653	P-UB-10	4 X 7	498.57
CTC-2450603	P-UB-10	3-1/4 X 9-1/4	593.04	CTC-2460655	P-UB-10	4 X 7	548.52
CTC-2450605	P-UB-10	3-1/4 X 8-1/4	354.10	CTC-2460657	P-UB-10	4 X 7	537.59
CTC-2450606	P-UB-10	3-1/4 X 6-1/2	410.26	CTC-2460658	P-UB-10	4 X 6	543.59
CTC-2450607	P-UB-10	3-1/4 X 9-1/4	434.56	CTC-2460659	P-UB-10	4 X 8-1/2	418.82
CTC-2450609	P-UB-10	3-1/4 X 9-1/4	450.37	CTC-2463425	P-UB-4	4 X 4-1/2	337.02
CTC-2450611	P-UB-10	3-1/4 X 6-1/2	398.26	CTC-2463426	P-UB-10	4 X 4-1/2	374.28
CTC-2450612	P-UB-10	3-1/4 X 5-1/2	379.23	CTC-2463427	P-UB-10	4 X 8-1/2	276.30
CTC-2450613	P-UB-10	3-1/4 X 7-1/4	363.05	CTC-2463430	P-UB-10	4-1/4 X 6-1/2	604.06
CTC-2450614	P-UB-10	3-1/4 X 7-1/4	354.10	CTC-2463431	P-UB-10	4-1/4 X 7-3/4	610.49
CTC-2450617	P-UB-10	3-1/4 X 6	290.67	CTC-2463432	P-UB-1	4-1/4	427.42
CTC-2450620	P-UB-10	3-1/4 X 6-1/4	209.64	CTC-2463434	P-UB-10	5 X 7-3/4	458.14
CTC-2456815	P-V-10	1-1/4 X 4	51.09	CTC-2463437	P-UB-10	5-1/2 X 10-1/2	1041.53
CTC-2456816	P-UB-10	65 mm X 4-3/4	254.67	CTC-2463439	P-UB-10	5-3/4 X 7	383.89
CTC-2456818	P-U-10	4-1/2,6-3/4 X 6,7-3/4	1063.42	CTC-2463440	P-UB-10	5-3/4 X 8-1/4	994.26
CTC-2456819	I,P-UB-10	4-1/2,6-3/4 X 6,7-3/4	1424.01	CTC-2463442	P-UB-10	6 X 8-1/4	1109.45
CTC-2456821	P-UB-10	8 X 12	1850.14	CTC-2463443	P-UB-10	6 X 7-1/2	722.27
CTC-2456824	P-UB-10	3-1/2 X 5-1/2	271.75	CTC-2463445	P-UB-10	6 X 7-1/2	954.30
CTC-2456825	P-UB-10	3-1/2 X 5-1/2	412.19	CTC-2463446	P-UB-10	7 X 11	849.57
CTC-2456826	P-U-10	3-1/2 X 8-1/4	449.69	CTC-2463448	P-UB-10	7 X 10	1103.88
CTC-2456827	P-UB-10	3-1/2 X 8-1/4	505.84	CTC-2463450	P-UB-10	7 X 11	1530.84
CTC-2456828	P-UB-10	3-1/2 X 6	437.72	CTC-2465907	P-UB-10	7 X 11-1/2	1102.55
CTC-2456829	P-UB-10	3-1/2 X 6	263.72	CTC-2465909	P-UB-10	1-1/2 X 2-3/4	116.23
CTC-2456830	P-UB-10	3-1/2 X 8-1/4	357.35	CTC-2465910	P-UB-10	1-1/2 X 4	71.14
CTC-2456831	P-UB-10	3-1/2 X 7-1/2	343.60	CTC-2465911	P-UB-10	1-1/2 X 2-1/2	85.05
CTC-2456832	P-UB-10	3-1/2 X 8-1/2	540.11	CTC-2465912	P-UB-10	1-1/2 X 2-3/4	86.38
CTC-2456833	P-UB-10	3-1/2 X 8-1/4	499.22	CTC-2465913	P-UB-10	1-1/2 X 3	97.53
CTC-2456834	P-UB-10	3-1/2 X 7-1/2	242.46	CTC-2465914	P-UB-10	1-1/2 X 3-1/2	124.13
CTC-2456835	P-UB-10	3-1/2 X 8-1/4	294.37	CTC-2465915	P-UB-10	1-1/2 X 3-1/2	127.59

CATERPILLAR®

REPLACEMENT KITS FOR CATERPILLAR® EQUIPMENT

NOTE: CATERPILLAR kit numbers are used as a reference only. We do not imply that these kits are original REPLACEMENT KITS.

Kit Number	Code (Pg. 14)	Rod X Bore Size	List Price	Kit Number	Code (Pg. 14)	Rod X Bore Size	List Price
CTC-2465916	P-UB-10	1-1/2 X 2-1/4	\$ 86.26	CTC-2481194	P-UB-10	7-1/4 X 10	\$ 839.05
CTC-2465917	P-UB-10	1-1/2 X 3-1/2	116.55	CTC-2481197	P-UB-10	5-1/4 X 7-3/4	772.54
CTC-2465919	P-UB-10	1-1/2 X 3-1/4	206.62	CTC-2481198	P-UB-10	5-1/2 X 10-1/2	937.91
CTC-2465922	P-UB-10	1-1/2 X 3	72.78	CTC-2495105	P-UB-10	3 X 4-1/2	613.71
CTC-2465923	P-UB-10	1-1/2 X 3	182.43	CTC-2502475	P-UB-10	105 X 150 mm	217.70
CTC-2465925	P-UB-10	1-7/8 X 3	185.63	CTC-2502485	P-UB-10	100 X 140 mm	263.62
CTC-2465926	P-UB-10	1-7/8 X 3-1/4	70.71	CTC-2502486	P-UB-10	90 X 130 mm	315.32
CTC-2465927	P-UB-10	1-7/8 X 3	175.31	CTC-2502487	P-UB-10	85 X 120 mm	226.01
CTC-2465928	P-UB-10	2-1/8 X 4	271.88	CTC-2519341	P-UB-10	100 X 170 mm	423.26
CTC-2465929	P-UB-10	2-1/8 X 4	69.16	CTC-2519845	P-U-10	40 X 70 mm	112.69
CTC-2465931	P-UB-10	2-1/8 X 4	239.23	CTC-2521191	P-UB-10	95 X 160 mm	312.45
CTC-2465933	P-UB-10	2-1/8 X 4	165.80	CTC-2522423	P-UB-10	130 X 180 mm	690.93
CTC-2465937	P-UB-10	85 X 130 mm	205.12	CTC-2522425	P-UB-10	130 X 190 mm	739.14
CTC-2465938	P-UB-10	85 X 120 mm	294.56	CTC-2522426	P-UB-10	150 X 220 mm	560.51
CTC-2465940	P-UB-10	90 X 130 mm	283.81	CTC-2525105	P-UB-10	3-1/4 X 5	333.67
CTC-2469101K	P-UB-10	3 X 5	170.82	CTC-2525507	I-U-14	50 X 100 mm	254.75
CTC-2469885K	P-UB-10	2-1/4 X 4-1/2	97.96	CTC-2526101	P-UB-10	90 X 160 mm	554.63
CTC-2470257	P-UB-10	90 X 130 mm	482.30	CTC-2533933K	P-U-10	4 X 5-1/4	222.95
CTC-2478790	P-UB-10	85 X 120 mm	175.29	CTC-2533964K	P-U-10	4 X 5-1/4	222.95
CTC-2478792	P-UB-10	100 X 140	296.47	CTC-2535204	P-UB-10	2-3/8 X 4-1/4	83.28
CTC-2478868	P-UB-10	85 X 120 mm	255.98	CTC-2549037K	P-UB-10	70 X 130 mm	595.68
CTC-2478878	P-UB-10	100 X 140 mm	314.97	CTC-2567093	P-UB-10	100 X 170 mm	641.62
CTC-2478888	P-UB-10	85 X 120 mm	219.22	CTC-2578422	P-UB-10	2-3/8 X 3-3/4	84.60
CTC-2478974	P-UB-10	100 X 140 mm	314.97	CTC-2580313	P-UB-10	85 X 130 mm	232.96
CTC-2478995	P-UB-10	80 X 110 mm	233.95	CTC-2580500	P-UB-10	85 X 120 mm	232.80
CTC-2478996	P-UB-10	85 X 120 mm	260.51	CTC-2580501	P-UB-10	85 X 120 mm	245.52
CTC-2478998	P-UB-10	85 X 120 mm	260.51	CTC-2580503	P-UB-10	85 X 160 mm	526.44
CTC-2479000	P-UB-10	85 X 120 mm	237.10	CTC-2580504	P-UB-10	85 X 160 mm	362.45
CTC-2479001	P-UB-10	85 X 120 mm	237.10	CTC-2583621	P-U-10	35 X 75 mm	72.98
CTC-2479004	P-UB-10	90 X 125 mm	215.98	CTC-2590625	P-UB-10	90 X 130 mm	255.68
CTC-2479005	P-UB-10	85 X 125 mm	240.76	CTC-2590626	P-UB-10	90 X 130 mm	224.45
CTC-2481162	P-UB-10	100 X 140 mm	288.86	CTC-2590627	P-UB-10	90 X 130 mm	224.45
CTC-2481163	P-UB-10	100 X 140 mm	617.93	CTC-2590628	P-UB-10	90 X 130 mm	255.68
CTC-2481165	P-UB-10	100 X 140 mm	258.76	CTC-2590630	P-UB-10	95 X 130 mm	268.40
CTC-2481166	P-UB-10	100 X 140 mm	328.45	CTC-2590631	P-UB-10	100 X 140 mm	246.59
CTC-2481167	P-UB-10	100 X 140 mm	229.63	CTC-2590632	P-UB-10	100 X 140 mm	241.97
CTC-2481168	P-UB-10	105 X 150 mm	309.52	CTC-2590633	P-UB-10	100 X 140 mm	246.59
CTC-2481169	P-UB-10	105 X 150 mm	632.32	CTC-2590634	P-UB-10	100 X 140 mm	241.97
CTC-2481172	P-UB-10	110 X 160 mm	530.39	CTC-2590635	P-UB-10	100 X 140 mm	246.59
CTC-2481174	P-UB-10	110 X 170 mm	306.30	CTC-2590636	P-UB-10	105 X 150 mm	550.36
CTC-2481175	P-UB-10	4-3/4 X 6-1/2	723.94	CTC-2590637	P-UB-10	105 X 150 mm	550.36
CTC-2481176	P-UB-10	4-3/4 X 6	612.23	CTC-2590648	P-UB-10	100 X 140 mm	233.91
CTC-2481178	P-UB-10	4-3/4 X 7-1/4	701.29	CTC-2590650	P-UB-10	105 X 150 mm	537.24
CTC-2481181	P-UB-10	4-3/4 X 7-1/4	732.39	CTC-2590656	P-UB-10	95 X 135 mm	212.53
CTC-2481182	P-UB-10	4-3/4 X 7	683.77	CTC-2590665	P-UB-10	95 X 135 mm	273.59
CTC-2481183	P-UB-10	4-3/4 X 6-1/2	654.06	CTC-2590678	P-UB-10	90 X 130 mm	208.31
CTC-2481185	P-UB-10	4-3/4 X 7	749.45	CTC-2590695	P-UB-10	85 X 120 mm	260.51
CTC-2481186	P-UB-10	140 X 200 mm	822.55	CTC-2590699	P-UB-10	100 X 140 mm	246.59
CTC-2481187	P-UB-10	140 X 200 mm	763.25	CTC-2590706	P-UB-10	85 X 120 mm	237.10
CTC-2481188	P-UB-10	6-1/2 X 10-1/2	878.95	CTC-2590712	P-UB-10	90 X 130 mm	258.35
CTC-2481190	P-UB-10	6-1/2 X 8-1/2	826.05	CTC-2590719	P-UB-10	90 X 130 mm	227.16
CTC-2481192	P-UB-10	6-1/2 X 8-1/2	913.93	CTC-2590725	P-UB-10	100 X 140 mm	241.97
CTC-2481193	P-V-10	7-1/4 X 10-1/4	995.61	CTC-2590729	P-UB-10	105 X 150 mm	550.36

CATERPILLAR®

REPLACEMENT KITS FOR CATERPILLAR® EQUIPMENT

NOTE: CATERPILLAR kit numbers are used as a reference only. We do not imply that these kits are original REPLACEMENT KITS.

Kit Number	Code (Pg. 14)	Rod X Bore Size	List Price	Kit Number	Code (Pg. 14)	Rod X Bore Size	List Price
CTC-2590743	P-UB-10	105 X 150 mm	\$ 200.34	CTC-2714484	P-U-10	40 X 65 mm	\$ 71.23
CTC-2590751	P-UB-10	110 X 160 mm	368.31	CTC-2723225	P-U-10	40 X 70 mm	230.27
CTC-2590768	P-UB-10	115 X 170 mm	517.15	CTC-2725225	P-U-10	45 X 75 mm	244.08
CTC-2590774	P-UB-10	95 X 135 mm	265.64	CTC-2737025K	P-U-10	55 X 100 mm	175.82
CTC-2590775	P-UB-10	100 X 140 mm	314.97	CTC-2742460	P-UB-10	110 X 160 mm	423.15
CTC-2590776	P-UB-10	90 X 130 mm	486.69	CTC-2742461	P-UB-10	130 X 190 mm	697.13
CTC-2590779	P-UB-10	105 X 150 mm	513.08	CTC-2742462	P-UB-10	110 X 170 mm	430.83
CTC-2598723K	P-U-10	55 X 115 mm	181.48	CTC-2742511	P-UB-10	85 X 120 mm	188.30
CTC-2600273	P-UB-10	2 X 85 mm	153.19	CTC-2742515	P-UB-10	100 X 140 mm	270.97
CTC-2601518	P-UB-10	2-3/4 X 5-1/2	196.82	CTC-2742526	P-UB-10	90 X 130 mm	199.76
CTC-2605316	P-UB-10	80 X 120 mm	184.66	CTC-2742649	P-UB-10	95 X 130 mm	734.46
CTC-2605317	P-UB-10	80 X 110 mm	341.81	CTC-2748318	P-UB-10	70 X 130 mm	482.38
CTC-2605318	P-UB-10	75 X 110 mm	440.33	CTC-2763879K	P-U-10	45 X 75 mm	116.67
CTC-2605319	P-UB-10	75 X 140 mm	507.37	CTC-2764172	I-U-10	50 X 70 mm	75.16
CTC-2605322	P-UB-10	75 X 110 mm	485.10	CTC-2765210	P-U-10	45 X 85 mm	116.07
CTC-2610582	P-UB-10	3-1/2 X 9-1/4	309.84	CTC-2765284	P-U-10	45 X 80 mm	98.99
CTC-2611073	P-UB-10	3-1/4 X 5-1/2	432.11	CTC-2765302	P-U-10	50 X 80 mm	181.70
CTC-2616885	P-UB-10	2-3/8 X 4-1/2	131.33	CTC-2765739	P-U-10	50 X 90 mm	189.25
CTC-2617175	P-UB-10	2 X 75 mm	128.07	CTC-2765938	P-U-10	45 X 80 mm	165.75
CTC-2618001	P-UB-10	2-3/4 X 6	223.28	CTC-2773395	P-UB-14	55 X 95 mm	155.08
CTC-2618566	P-UB-10	2 X 4	115.18	CTC-2774140	P-UB-14	50 X 85 mm	130.77
CTC-2618625	P-UB-10	2 X 4	74.87	CTC-2774167	P-UB-14	45 X 75 mm	223.67
CTC-2620941	I-U-10	30 X 50 mm	40.30	CTC-2774178	P-UB-14	50 X 85 mm	294.48
CTC-2620981	P-UB-10	2 X 3	149.18	CTC-2781970	I-U-10	30 X 60 mm	77.96
CTC-2645751	P-UB-10	110 X 170 mm	537.35	CTC-2782253	P-U-10	1-1/2 X 2-1/2	125.07
CTC-2666140	I-U-10	35 X 70 mm	65.50	CTC-2782257	P-U-10	1-1/2 X 2-1/2	74.92
CTC-2667806	P-UB-10	85 X 120 mm	491.29	CTC-2782263	P-U-1	1-3/4 X 3	98.00
CTC-2667812	P-UB-10	95 X 130 mm	583.89	CTC-2788641	P-U-10	45 X 80 mm	117.53
CTC-2667861	P-UB-10	80 X 110 mm	219.61	CTC-2790639	P-U-10	50 X 85 mm	138.28
CTC-2667874	P-UB-10	85 X 120 mm	197.47	CTC-2797940	P-U-10	45 X 80 mm	125.43
CTC-2667891	P-UB-10	85 X 120 mm	255.98	CTC-2799336K	P-U-10	75 X 125 mm	232.00
CTC-2667892	P-UB-10	85 X 120 mm	219.22	CTC-2807013	I-U-10	42 X 85 mm	200.70
CTC-2668011	P-UB-10	85 X 120 mm	255.98	CTC-2812321	P-U-10	50 X 85 mm	121.42
CTC-2668012	P-UB-10	100 X 140 mm	314.97	CTC-2812322	P-U-10	45 X 75 mm	111.79
CTC-2668013	P-UB-10	95 X 135 mm	273.59	CTC-2812323	P-U-10	50 X 80 mm	120.99
CTC-2668014	P-UB-10	90 X 130 mm	654.96	CTC-2835988	P-UB-10	90 X 125 mm	831.46
CTC-2668015	P-UB-10	100 X 140 mm	223.47	CTC-2836179	P-UB-10	70 X 100 mm	310.74
CTC-2668016	P-UB-10	105 X 150 mm	537.24	CTC-2839122	P-U-10	35 X 65 mm	68.53
CTC-2668045	P-UB-10	95 X 135 mm	214.64	CTC-2845360	P-UB-10	2-1/4 X 3-3/4	146.28
CTC-2668057	P-UB-10	85 X 120 mm	219.22	CTC-2848016K	P-U-1	12-1/2	1898.60
CTC-2692729K	P-UB-10	65 X 120 mm	209.79	CTC-2854031K	P-UB-10	3 X 4-1/2	195.59
CTC-2692730K	P-UB-10	60 X 110 mm	169.51	CTC-2854032K	P-UB-10	3 X 5	228.99
CTC-2696483K	P-UB-10	85 X 140 mm	204.57	CTC-2854034K	P-UB-10	3-1/2 X 5-1/2	255.51
CTC-2697190	P-U-10	45 X 75 mm	79.31	CTC-2857396	P-UB-10	5 X 9-1/4	527.62
CTC-2701537	O-RING KIT		144.88	CTC-2857486	P-UB-10	2-1/8 X 4	130.29
CTC-2701539	O-RING KIT		66.89	CTC-2860113	P-UB-10	70 X 100 mm	181.35
CTC-2702668	P-U-10	40 X 70 mm	69.94	CTC-2860114	P-UB-14	65 X 90 mm	319.99
CTC-2707285K	P-UB-10	70 X 140 mm	261.85	CTC-2860814K	P-UB-10	2 X 4	110.51
CTC-2707286K	P-UB-10	80 X 140 mm	297.72	CTC-2861075	P-UB-10	2-3/4 X 6	175.41
CTC-2707288K	P-UB-10	45 X 75 mm	211.44	CTC-2863591	I-U-10	25 X 40 mm	33.02
CTC-2711529	I-U-10	40 X 3-1/2	39.90	CTC-2871973K	P-UB-10	2-1/4 X 4	125.55
CTC-2712173	P-U-10	45 X 75 mm	114.10	CTC-2897716	P-UB-10	80 X 120 mm	597.56
CTC-2713572K	P-UB-10	6 X 10-1/2	1246.19	CTC-2897733	P-UB-10	75 X 110 mm	618.32

CATERPILLAR®

REPLACEMENT KITS FOR CATERPILLAR® EQUIPMENT

NOTE: CATERPILLAR kit numbers are used as a reference only. We do not imply that these kits are original REPLACEMENT KITS.

Kit Number	Code (Pg. 14)	Rod X Bore Size	List Price	Kit Number	Code (Pg. 14)	Rod X Bore Size	List Price
CTC-2897878K	P-UB-10	90 X 130 mm	\$256.53	CTC-3087824	P-UB-10	105 X 150 mm	\$ 344.80
CTC-2929044K	P-UB-10	2 X 4	110.43	CTC-3087830	P-UB-10	110 X 160 mm	631.44
CTC-2937596	P-UB-10	2 X 3	64.06	CTC-3087841	P-UB-10	65 X 130 mm	218.86
CTC-2940509K	P-UB-10	3 X 5	174.75	CTC-3087847	P-UB-10	50 X 120 mm	253.54
CTC-2940510K	P-UB-10	95 X 150 mm	327.82	CTC-3087849	P-UB-1	9 X 10-3/4	2399.15
CTC-2949581	P-UB-10	2-1/4 X 5	125.11	CTC-3105478	P-UB-10	1-3/4 X 3-1/2	252.60
CTC-2949583	P-UB-10	2-1/2 X 3-1/2	112.25	CTC-3110662	P-UB-10	2-1/4 X 4-1/2	110.21
CTC-2950145	I-UB-10	5-1/2 X 7-1/2	439.20	CTC-3126388	I-SP-10	5,7-1/2X 6-1/2, 8-1/4	768.45
CTC-2950147	P-U-3	7 X 8-1/2	#N/A	CTC-3133829	P-UB-10	3-1/4 X 170 mm	350.05
CTC-2950148	P-UB-3	7 X 8	1048.73	CTC-3145850K	P-UB-14	65 X 110 mm	174.22
CTC-2950148AV	P-SP-3	7 X 8	955.35	CTC-3151126	P-UB-10	2-1/2 X 5	76.36
CTC-2959885	P-UB-1	9 X 10-1/2	422.05	CTC-3156338	I-U-10	1 X 2-1/2	28.50
CTC-2959886	P-U-3	7 X 8-1/2	439.77	CTC-3170942	I-UB-10	5-1/2 X 9-1/2	619.39
CTC-2959887	P-UB-10	3 X 5-1/4	187.41	CTC-3171090K	P-UB-10	70 X 140 mm	559.48
CTC-2959888	P-UB-10	3-1/2 X 6-1/4	330.08	CTC-3176058	P-UB-10	55 X 95 mm	177.68
CTC-2959890	P-UB-10	3 X 6	360.19	CTC-3189220	P-UB-10	3-1/2 X 6-1/4	504.75
CTC-2959891	P-UB-10	2-1/4 X 4-1/2	101.50	CTC-3189225	P-UB-10	4 X 7	387.74
CTC-2959892	P-UB-10	3-1/2 X 5-1/2	240.83	CTC-3192248	P-UB-10	3-1/2 X 6-1/4	445.34
CTC-2959893	P-UB-10	2-3/8 X 4-3/4	145.06	CTC-3193556	P-UB-10	3 X 4-1/2	346.06
CTC-2959894	P-UB-10	110 X 170 mm	659.14	CTC-3193557	P-UB-10	3 X 4-1/2	152.98
CTC-2959895	P-UB-10	130 X 180 mm	478.41	CTC-3193558	P-UB-10	3 X 4-3/4	192.78
CTC-2974896K	P-UB-10	50 X 100 mm	134.65	CTC-3193565	P-UB-10	3 X 4-3/4	158.76
CTC-2976845	P-UB-10	70 X 130 mm	366.49	CTC-3195051K	P-UB-10	55 X 100 mm	176.58
CTC-2976847	P-U-1	7 X 8	680.81	CTC-3198295	P-UB-10	115 X 170 mm	370.16
CTC-2976848	P-U-3	7 X 8-1/2	455.39	CTC-3206346	P-UB-10	65 X 100 mm	244.72
CTC-2976849	P-U-1	9 X 10-1/2	442.05	CTC-3233312	P-UB-10	1-3/4 X 3	62.45
CTC-2976850	P-UB-10	50 X 100 mm	163.86	CTC-3234199	P-UB-10	2-3/4 X 5-1/2	182.74
CTC-2976851	P-UB-10	65 X 115 mm	307.46	CTC-3240355	I-U-10	40 X 70 mm	97.42
CTC-2976852	P-UB-1	9 X 10-3/4	1150.35	CTC-3240356	I-U-10	50 X 80 mm	130.67
CTC-2987703K	P-UB-14	60 X 95 mm	162.15	CTC-3240397	I-U-10	70 X 130 mm	182.53
CTC-2987704K	P-UB-14	55 X 85 mm	160.74	CTC-3240398	I-U-10	65 X 120 mm	174.21
CTC-2990477	P-UB-14	3 X 4-3/4	353.25	CTC-3240399	I-U-10	60 X 110 mm	158.52
CTC-2990480	P-UB-14	2 X 4	243.86	CTC-3240411	I-U-10	45 X 70 mm	100.00
CTC-2990481	P-UB-14	3-1/2 X 5-1/2	425.52	CTC-3247165	P-UB-10	65 X 115 mm	269.53
CTC-2990515	P-UB-14	3-3/4 X 7	342.51	CTC-3248346K	P-UB-14	2 X 4	176.91
CTC-2990516	P-UB-14	3 X 4	207.98	CTC-3249485	P-UB-10	105 X 150 mm	300.77
CTC-2990517	P-UB-14	2 X 4	237.65	CTC-3249539K	P-UB-14	2-1/2 X 5-1/2	262.45
CTC-2990529	P-UB-14	2-1/2 X 5-1/2	256.68	CTC-3249541K	P-UB-14	2-1/2 X 5-1/2	240.13
CTC-2990530	P-UB-14	2-1/2 X 5-1/2	285.97	CTC-3260496	P-UB-10	75 X 100 mm	318.76
CTC-2991323K1	P-UB-10	2-1/2 X 5	81.69	CTC-3260501	P-UB-10	2 X 4-1/2	173.70
CTC-2R0037	O-RINGS		24.87	CTC-3260502	P-UB-10	2 X 3-1/2	222.74
CTC-2S3477	P-V-10	3 X 9-1/4	283.36	CTC-3260503	P-UB-10	1-3/4 X 3-1/2	256.33
CTC-2U0937	I-U-3	3-1/2 X 4-1/2	273.81	CTC-3260504	P-UB-10	1-3/4 X 3	110.12
CTC-2Y4534	O-RINGS		53.77	CTC-3265051	I-U-10	75 X 100 mm	106.55
CTC-2Y5154	O-RINGS		285.96	CTC-3265235	I-U-14	50 X 100 mm	254.75
CTC-2Y6216	O-RINGS		14.22	CTC-3265237	I-U-10	1-3/4 X 63 mm	106.61
CTC-3044561	I-U-10	50 X 100 mm	83.72	CTC-3265946	I-U-10	50 X 100 mm	111.41
CTC-3044900K	P-UB-14	75 X 110 mm	204.78	CTC-3276314	I-U-10	1-1/4 X 2-1/2	28.50
CTC-3050795	O-RING KIT		13.12	CTC-3281867	I-U-14	50 X 100 mm	254.75
CTC-3056015	P-U-10	25 X 50 mm	65.85	CTC-3284267K	P-UB-10	2-1/2 X 5-1/2	127.95
CTC-3076273	P-UB-10	2 X 3	59.57	CTC-3287730K	P-UB-14	75 X 110 mm	183.70
CTC-3082465K	P-UB-10	5 X 11	881.84	CTC-3319328	P-UB-10	130 X 190 mm	528.43
CTC-3082467K	P-UB-10	5 X 10	662.57	CTC-3322569	I-UB-10	2-1/2 X 3-1/2	313.77

REPLACEMENT KITS FOR CATERPILLAR® EQUIPMENT

NOTE: CATERPILLAR kit numbers are used as a reference only. We do not imply that these kits are original REPLACEMENT KITS.

Kit Number	Code (Pg. 14)	Rod X Bore Size	List Price	Kit Number	Code (Pg. 14)	Rod X Bore Size	List Price
CTC-3338675	P-UB-10	110 X 170 mm	\$ 356.18	CTC-3500976	P-UB-10	95 X 135 mm	\$ 243.83
CTC-3338750	P-UB-10	110 X 160 mm	276.07	CTC-3507157	I-SP-3,10	7-3/4,11-1/2	1095.39
CTC-3349861K	P-UB-10	90 X 180 mm	339.92	CTC-3519360K	P-UB-10	100 X 140 mm	175.84
CTC-3350007	P-UB-10	80 X 120 mm	232.65	CTC-3541312	I-U-10	7-1/4,11x9-1/2,12-1/4	1424.06
CTC-3353866	P-UB-14	2-1/2 X 5-3/4	362.01	CTC-3573798	I-U-10	7-1/4,10-1/2x9-1/4,11-1/2	1208.61
CTC-3365288	I-U-10	5-1/2,8-1/2 X 7-1/2,9-1/2	633.45	CTC-3597243	P-UB-10	1-3/4 X 3	120.52
CTC-3367341	P-UB-1	12-1/2	1903.21	CTC-3604580	P-UB-10	80 X 110 mm	212.09
CTC-3367342	P-U-1	13-1/2	2135.76	CTC-3604581	P-UB-10	85 X 120 mm	271.98
CTC-3367351	P-UB-10	2-1/2 X 5-1/2	321.18	CTC-3604582	P-UB-10	80 X 110 mm	192.60
CTC-3367352	P-UB-10	2-1/2 X 5-1/2	254.86	CTC-3611078	I-U-11	3/4 X 1-1/4	230.74
CTC-3367353	P-UB-10	2-1/2 X 5-1/2	145.13	CTC-3611131	I-U-15	3/4 X 1-1/4	66.36
CTC-3367358	P-UB-10	3 X 5-1/2	334.64	CTC-3615042K	P-UB-10	100 X 150 mm	180.40
CTC-3367359	P-UB-10	3 X 5-1/2	351.03	CTC-3626460	P-UB-1	7 X 8-1/2	383.23
CTC-3367368	I-U-1	11 X 13-1/8	2003.07	CTC-3629412	P-UB-10	95 X 160 mm	354.11
CTC-3367372	I-U-10	5,7-1/2 X 6-1/2,8-1/4	694.93	CTC-3631202	P-UB-14	3-3/4 X 7	319.50
CTC-3385840	P-UB-1	12-1/2	1935.10	CTC-3634158	P-UB-10	4-1/2 X 220 mm	367.34
CTC-3387038	I-UB-10	2-1/2 X 3-1/2	53.65	CTC-3651270	P-UB-10	65 X 4-3/4	302.27
CTC-3387039	I-UB-10	2-3/4 X 3-3/8	175.11	CTC-3651283	I-UB-10	2-3/8 X 85 mm	111.14
CTC-3387156	P-UB-10	1-1/2 X 3	65.04	CTC-3651342	I-UB-10	2-3/4 X 3-3/4	172.57
CTC-3388416K	P-UB-10	70 X 140 mm	559.48	CTC-3651382	I-U-10	3/4 X 1-1/2	57.09
CTC-3402686	P-UB-10	2-1/2 X 5-1/2	179.65	CTC-3652880	P-UB-10	3-3/4 X 7-3/4	297.44
CTC-3406080	P-U-1	11 X 12-1/2	385.70	CTC-3652932	P-UB-10	2-1/2 X 4	191.20
CTC-3408491	P-U-1	11 X 13-1/8	2095.88	CTC-3653007	P-UB-10	2-1/2 X 5	187.27
CTC-3408752K	P-UB-10	2-1/2 X 5	150.12	CTC-3655556	P-UB-10	2 X 3	54.64
CTC-3408871K	P-UB-10	2-1/2 X 4-3/4	144.97	CTC-3675261	I-U-10	7/8 X 2	26.00
CTC-3417048	P-UB-14	2 X 4	220.05	CTC-3693716	P-UB-10	150 X 220 mm	690.99
CTC-3417059	P-UB-14	3 X 4-3/4	300.46	CTC-3701866	P-UB-10	150 X 220 mm	690.99
CTC-3418110	P-UB-14	3-1/2 X 5-1/2	425.37	CTC-3701871	P-UB-10	145 X 210 mm	1005.90
CTC-3418115	P-UB-14	2-1/2 X 5-3/4	478.32	CTC-3701932	P-UB-10	145 X 210 mm	760.83
CTC-3446336	P-UB-10	90 X 130 mm	233.95	CTC-3701940	P-UB-10	140 X 200 mm	615.08
CTC-3453897K	P-UB-10	100 X 140 mm	175.84	CTC-3704107	I-U-15	60 X 100 mm	563.17
CTC-3460643	P-U-10,12	2 X 3-1/2	70.28	CTC-3704117	I-U-15	70 X 125 mm	651.40
CTC-3460644	P-U-10,12	3-1/4 X 5-1/2	156.58	CTC-3707995	P-UB-1	2	106.34
CTC-3461093K	P-UB-10	70 X 140 mm	559.48	CTC-3712697	P-U-10	35 X 50 mm	65.92
CTC-3461094K	P-UB-10	70 X 140 mm	559.48	CTC-3712718	P-U-10	30 X 65 mm	73.29
CTC-3465584	P-U-10,12	1-1/2 X 2-1/2	52.46	CTC-3712727	P-U-10	45 X 60 mm	66.35
CTC-3465609	P-U-10,12	1-3/4 X 3	62.49	CTC-3712737	P-U-10	45 X 65 mm	74.88
CTC-3469028	P-UB-1	2	90.68	CTC-3712751	P-U-10	35 X 75 mm	72.57
CTC-3469030	N-N-14	3-1/2	75.72	CTC-3712756	P-U-10	40 X 60 mm	67.02
CTC-3473272K	P-UB-10	3-1/2 X 7-1/4	249.16	CTC-3712760	P-U-10	35 X 70 mm	68.31
CTC-3476233	I-U-11	1-1/4 X 2-1/2	39.92	CTC-3735748	P-U-10	30 mm X 55 mm	77.23
CTC-3494119	P-UB-10	75 X 110 mm	439.00	CTC-3747255	P-UB-14	55 X 100 mm	228.46
CTC-3494120	P-UB-10	80 X 120 mm	408.20	CTC-3750731	P-UB-1	55 mm	180.25
CTC-3494121	P-UB-10	70 X 100 mm	297.60	CTC-3750740	P-UB-1	55 mm	126.05
CTC-3494122	P-UB-10	80 X 120 mm	277.95	CTC-3751733	P-UB-10	115 X 170 mm	403.29
CTC-3500962	P-UB-10	85 X 120 mm	572.21	CTC-3764331	P-UB-10	105 X 150 mm	251.79
CTC-3500963	P-UB-10	90 X 125 mm	232.31	CTC-3764332	P-UB-10	105 X 150 mm	251.79
CTC-3500967	P-UB-10	85 X 120 mm	364.05	CTC-3764333	P-UB-10	115 X 170 mm	370.16
CTC-3500970	P-UB-10	100 X 140 mm	300.14	CTC-3764334	P-UB-10	105 X 150 mm	300.77
CTC-3500971	P-UB-10	100 X 140 mm	288.10	CTC-3764336	P-UB-10	110 X 160 mm	288.56
CTC-3500973	P-UB-10	100 X 140 mm	308.54	CTC-3769011	P-UB-10	2 X 3-1/2	113.82
CTC-3500974	P-UB-10	105 X 150 mm	301.26	CTC-3769015	P-UB-10	3 X 5-1/4	228.41
CTC-3500975	P-UB-10	105 X 150 mm	301.26	CTC-3769016	P-UB-10	1-3/4 X 3-1/2	165.25

CATERPILLAR®

REPLACEMENT KITS FOR CATERPILLAR® EQUIPMENT

NOTE: CATERPILLAR kit numbers are used as a reference only. We do not imply that these kits are original REPLACEMENT KITS.

Kit Number	Code (Pg. 14)	Rod X Bore Size	List Price	Kit Number	Code (Pg. 14)	Rod X Bore Size	List Price
CTC-3769017	P-UB-10	1-3/4 X 3	\$ 62.45	CTC-3956781	N-N-14	3	\$ 92.67
CTC-3770612	P-UB-1	2-1/2	189.50	CTC-3975694	I-UB-10	2-1/2 X 3-1/2	56.70
CTC-3770613	N-N-14	4	87.33	CTC-3975704	P-UB-10	2-3/8 X 4-3/4	166.22
CTC-3792735	P-U-10	35 mm X 65 mm	60.37	CTC-3979294	P-UB-10	85 X 120 mm	233.87
CTC-3792737	P-U-10	30 mm X 60 mm	71.80	CTC-3979295	P-UB-10	95 X 135 mm	392.71
CTC-3799497	P-UB-10	130 X 190 mm	400.01	CTC-3979296	P-UB-10	95 X 160 mm	354.11
CTC-3802685	P-U-1	12-1/2 X 14-1/4	559.73	CTC-3979883	I-UB-14	85 mm X 140 mm	330.46
CTC-3806119	I-U-10	50 X 70 mm	112.76	CTC-3979888	I-UB-14	85 mm X 160 mm	339.41
CTC-3808347	P-UB-10	85 X 140 mm	298.58	CTC-3979893	I-UB-14	50 mm X 90 mm	165.00
CTC-3809470	P-UB-10	2-1/4 X 4-1/4	89.96	CTC-3981893	P-UB-10	100 X 140 mm	306.55
CTC-3809482	P-UB-10	2 X 4	116.23	CTC-3E3291	P-UB-10	1-3/4 X 2-3/4	57.13
CTC-3809484	P-UB-10	1-1/2 X 3	66.36	CTC-3E3292	P-UB-10	4 X 6	350.14
CTC-3812732	P-UB-10	2-3/8 X 4-3/4	160.90	CTC-3E3293	P-UB-10	3 X 5-1/4	284.34
CTC-3812337	P-UB-10	3-1/4 X 9-1/4	250.22	CTC-3E3294	P-UB-10	2 X 5	89.78
CTC-3812504	P-UB-10	4-1/2 X 9-1/4	596.06	CTC-3E3297	P-UB-10	1-7/8 X 3-1/4	157.69
CTC-3814591	P-UB-14	85 X 140 mm	283.42	CTC-3E3298	P-UB-10	2-1/8 X 4	68.41
CTC-3825775	P-UB-10	70 X 110 mm	279.38	CTC-3E3299	I-UB-10	2-1/2 X 3-1/2	178.67
CTC-3825802	P-UB-10	60 X 95 mm	195.01	CTC-3E3300	P-UB-10	2-1/2 X 4-1/4	171.92
CTC-3825822	P-UB-10	60 X 95 mm	203.09	CTC-3E3301	P-UB-10	4-3/4 X 7	327.95
CTC-3825827	P-UB-10	55 X 85 mm	177.75	CTC-3E3302	P-UB-10	2-1/2 X 5	106.12
CTC-3825845	P-UB-14	80 X 120 mm	255.14	CTC-3E3303	P-UB-10	4 X 6-1/2	420.45
CTC-3825860	P-UB-10	65 X 110 mm	213.98	CTC-3E3313	P-UB-10	3 X 5-1/4	112.06
CTC-3842381	I-UB-14	50 mm X 90 mm	245.92	CTC-3E3314	I-UB-10	2-3/4 X 3-3/4	274.21
CTC-3842448	I-UB-10	40 mm X 70 mm	247.43	CTC-3E8877	P-UB-10	2-3/8 X 4-1/2	250.48
CTC-3842452	I-UB-10	45 mm X 70 mm	238.06	CTC-3E8878	P-UB-10	2-3/4 X 5	291.34
CTC-3842454	I-UB-10	40 mm X 70 mm	216.80	CTC-3E8880	P-UB-10	5-3/4 X 8-1/4	968.99
CTC-3852908	P-UB-14	80 X 110 mm	265.22	CTC-3E8881	P-UB-10	4-3/4 X 7-1/4	462.31
CTC-3852942	P-UB-14	85 X 120 mm	242.44	CTC-3E8883	P-UB-10	3 X 4-3/4	248.61
CTC-3852946	P-UB-14	80 X 110 mm	209.09	CTC-3E8884	P-UB-10	2 X 4	161.67
CTC-3858057	P-UB-14	3 X 4	137.73	CTC-3E8887	P-UB-10	5 X 7-3/4	549.61
CTC-3860714	I-UB-10	36 mm X 65 mm	151.85	CTC-3E8888	P-UB-10	3-3/4 X 6	504.53
CTC-3866092	P-UB-10,12	2-1/2 X 5-1/2	253.58	CTC-3E8889	P-UB-10	3-1/2 X 6	318.57
CTC-3904196	P-UB-14	75 X 110 mm	342.31	CTC-3G0688K	I-SP-1	7 X 8-1/2	363.92
CTC-3904227	P-UB-14	70 X 100 mm	357.72	CTC-3G8700	O-rings		11.59
CTC-3912080	P-UB-14	3-1/2 X 5-1/2	286.24	CTC-3G9892K	P-UB-10	2 X 4	68.83
CTC-3914638	P-UB-10	70 X 110 mm	207.04	CTC-4157472	P-UB-14	70 X 110 mm	183.82
CTC-3924561	I-UB-1	60 mm	172.96	CTC-4158072	P-UB-10	2-1/4 X 4-1/4	91.71
CTC-3925193	P-UB-10	65 X 115 mm	245.50	CTC-4158260	I-UB-10	2-3/8 X 85 mm	93.03
CTC-3925201	P-UB-10	60 X 110 mm	169.51	CTC-4160066	P-UB-10	3-1/2 X 5-1/2	255.51
CTC-3933604	P-UB-10	2-1/2 X 5	140.91	CTC-4160092	P-UB-10	4-1/2 X 150 mm	263.81
CTC-3933606	P-UB-10	2 X 4-1/4	80.26	CTC-4162092	P-UB-10	3 X 4-3/4	205.29
CTC-3933607	P-UB-10	3 X 6-1/2	185.96	CTC-4173698	P-UB-10	50 X 110 mm	148.19
CTC-3933608	P-UB-10	1-1/2 X 3-1/2	115.99	CTC-4175006	P-UB-14	2 X 4	231.92
CTC-3937887	P-UB-14	75 X 110 mm	342.31	CTC-4175758	P-U-14	2-1/2 X 5-3/4	270.39
CTC-3937948	P-UB-10	80 X 120 mm	408.48	CTC-4176026	I-U-10	2-1/2 X 5	111.83
CTC-3937949	P-UB-14	80 X 120 mm	356.36	CTC-4179889	I-U-4	1-1/8 X 2	147.70
CTC-3944846	P-UB-14	50 X 85 mm	260.42	CTC-4185330	I-UB-1	80 mm	307.53
CTC-3944848	P-UB-14	50 X 85 mm	155.30	CTC-4185332	N-N-10	120 mm X 120 mm	85.17
CTC-3944852	P-UB-14	45 X 75 mm	147.31	CTC-4186276	P-UB-14	3 X 4-3/4	220.94
CTC-3945556	Swivel Kit		65.22	CTC-4195876	P-UB-10	130 mm X 180 mm	294.99
CTC-3949688	P-UB-10	75 X 130 mm	264.60	CTC-4206848	P-U-1	7 X 8	782.71
CTC-3951270	P-UB-10	35 mm X 65 mm	101.57	CTC-4208531	P-UB-10	2-1/2 X 3-1/2	135.83
CTC-3951275	P-U-10	30 mm X 50 mm	111.83	CTC-4215355	P-UB-10	70 X 110 mm	279.38

REPLACEMENT KITS FOR CATERPILLAR® EQUIPMENT

NOTE: CATERPILLAR kit numbers are used as a reference only. We do not imply that these kits are original REPLACEMENT KITS.

Kit Number	Code (Pg. 14)	Rod X Bore Size	List Price	Kit Number	Code (Pg. 14)	Rod X Bore Size	List Price
CTC-4219022	I-U-10	5-1/2,8-1/2x7-1/2,9-1/2	\$ 340.22	CTC-4610536	P-U-10	35 mm X 75 mm	\$ 113.90
CTC-4220025	I-U-10	7-1/4,10-1/2x9-1/4,11-1/2	1201.73	CTC-4642931	P-UB-10	85 X 120 mm	319.82
CTC-4220706	P-UB-10	60 X 95 mm	203.09	CTC-4642932	P-UB-10	85 X 120 mm	289.84
CTC-4220728	P-U-10	45 X 75 mm	159.10	CTC-4642933	P-UB-10	90 mm X 130 mm	302.66
CTC-4228805	P-UB-10	35 X 70 mm	96.15	CTC-4642934	P-UB-10	95 mm X 135 mm	271.53
CTC-4252108	P-UB-10	2-1/4 X 4	144.18	CTC-4642935	P-UB-10	95 mm X 135 mm	266.19
CTC-4286802	P-UB-10	70 X 110 mm	213.89	CTC-4642937	P-UB-10	100 mm X 140 mm	284.54
CTC-4288641	P-U-10	45 X 75 mm	85.11	CTC-4649647	P-UB-10	100 mm X 140 mm	310.07
CTC-4288651	P-U-10	45 X 75 mm	91.18	CTC-4661538	P-UB-10	100 X 140 mm	292.56
CTC-4288674	P-U-10	40 X 70 mm	71.68	CTC-4671783	I-UB-10	40 X 65 mm	297.20
CTC-4306989	N-N-14	3-1/2	201.17	CTC-4690676	P-U-10	45 x 80 mm	252.74
CTC-4307589	P-U-10	55 X 100 mm	146.65	CTC-4690682	P-U-10	45 x 80 mm	248.74
CTC-4308744	P-U-10	50 X 80 mm	136.24	CTC-4690689	P-U-10	40 x 70 mm	187.69
CTC-4308918	P-U-10	55 X 90 mm	194.16	CTC-4690697	P-U-10	50 mm X 85 mm	287.96
CTC-4351466	P-UB-1	1-1/2	111.22	CTC-4690704	P-U-10	50 mm X 80 mm	257.26
CTC-4388593	P-UB-10	3 X 5-1/4	226.39	CTC-4690711	P-U-10	45 mm X 75 mm	262.34
CTC-4389145	P-UB-10	2-1/2 X 3-1/2	246.20	CTC-4690717	P-U-10	45 mm X 80 mm	235.02
CTC-4392695	U-SEALS	3-1/2	46.65	CTC-4690723	P-U-10	35 mm X 65 mm	187.41
CTC-4393847	P-U-10	75 X 125 mm	226.90	CTC-4690729	P-U-10	50 mm X 85 mm	269.77
CTC-4394330	P-U-10	4 X 5-1/4	218.05	CTC-4700323	P-UB-10,12	2-1/4 X 5	160.85
CTC-4395252	P-U-10,12	4 X 6	370.53	CTC-4710161	P-UB-10	2 X 3	140.76
CTC-4395349	P-U-10	55 X 125 mm	233.41	CTC-4710172	P-UB-10	50 X 85 mm	153.64
CTC-4398573	P-U-10	45 X 75 mm	74.80	CTC-4710276	P-UB-10	55 X 95	167.47
CTC-4401767	I-U-10	90 X 150 mm	208.58	CTC-4710317	P-UB-10	70 X 100 mm	224.45
CTC-4452682	P-UB-10	1-1/4 X 2-1/2	61.25	CTC-4710336	P-UB-10	95 X 130 mm	217.27
CTC-4481975	P-UB-10	35 mm X 80 mm	116.43	CTC-4778370	P-UB-10	100 X 190 mm	326.30
CTC-4483453	P-UB-10	50 mm X 75 mm	115.22	CTC-4779286	P-UB-10	130 X 210 mm	671.73
CTC-4483564	P-UB-10	55 mm X 90 mm	127.44	CTC-4781592	P-U-10	1-1/8 X 3	82.93
CTC-4488804	P-UB-10	1-1/2 X 3	66.36	CTC-4787027	I-U-1	1-1/2	56.57
CTC-4494753	I-U-10	5,7-1/2 X 6-1/2,8-1/4	608.91	CTC-4787051	P-U-10	50 mm X 85 mm	268.04
CTC-4496284	P-UB-10	55 mm X 100 mm	138.93	CTC-4787051	P-U-10	50 mm X 85 mm	268.04
CTC-4496299	P-UB-10	50 mm X 85 mm	118.54	CTC-4799627	N-N-10	3	69.45
CTC-4515832	P-UB-1	9	442.57	CTC-4837796	I-U-1	2	81.72
CTC-4523459	P-UB-1	40 mm	69.87	CTC-4855264	I-U-15	1 X 2	26.88
CTC-4523460	N-N-10	70 mm	51.63	CTC-4855284	I-U-10	3/4 X 1-1/4	140.93
CTC-4527462	P-UB-10	2-3/4 X 6-1/4	225.02	CTC-4891720	I-UB-14	85 mm 160 mm	339.69
CTC-4536525	I-U-10	1 X 1-3/4	30.65	CTC-4900659	I-U-12	2,3 X 2-1/2,3-1/2	308.50
CTC-4555441	P-U-10	1-1/4 X 2	43.45	CTC-4C4782	NITRILE O-RING KIT		419.37
CTC-4554975	P-UB-10	8 X 12-1/2	1380.20	CTC-4C4784	D-RING KIT		248.19
CTC-4560197	P-UB-10	85 X 120 mm	216.42	CTC-4C4788	O-RING KIT		144.88
CTC-4560198	P-UB-10	90 X 125 mm	232.31	CTC-4C8253	SILICONE O-RING KIT		668.59
CTC-4560199	P-UB-10	95 X 135 mm	272.74	CTC-4I3861	P-UB-10	70 X 150 mm	373.89
CTC-4560200	P-UB-10	100 X 140 mm	308.54	CTC-4T9977K	P-UB-10	3-1/4 X 8-1/4	249.20
CTC-4560202	P-UB-10	100 X 140 mm	300.14	CTC-4Z6110K	P-UB-10	3-1/2 X 8-1/4	280.54
CTC-4560203	P-UB-10	105 X 150 mm	301.26	CTC-4Z6364K	P-UB-10	3 X 6	200.18
CTC-4560204	P-UB-10	100 X 140 mm	288.10	CTC-5016692	P-U-10	40 X 70 mm	90.06
CTC-4560207	P-UB-10	85 X 120 mm	210.47	CTC-5016695	P-U-10	65 X 120 mm	163.73
CTC-4560208	P-UB-10	90 X 130 mm	351.85	CTC-5016697	P-U-10	90 X 150 mm	214.47
CTC-4560210	P-UB-10	90 X 130 mm	251.12	CTC-5016702	P-U-10	50 X 80 mm	122.41
CTC-4560584	I-U-10	1 X 2-1/2	51.37	CTC-5016704	P-U-10	70 X 130 mm	171.63
CTC-4567244	P-UB-10	70 X 110 mm	423.06	CTC-5016706	P-U-10	60 X 110 mm	148.62
CTC-4572837	P-UB-10	50 X 90 mm	132.85	CTC-5037834	P-UB-10	60 X 90 mm	183.41
CTC-4576093	P-UB-10	3-1/4 X 170 mm	243.03	CTC-5052264	I-U-10	1-1/2 X 2-1/2	45.14

CATERPILLAR®

REPLACEMENT KITS FOR CATERPILLAR® EQUIPMENT

NOTE: CATERPILLAR kit numbers are used as a reference only. We do not imply that these kits are original REPLACEMENT KITS.

Kit Number	Code (Pg. 14)	Rod X Bore Size	List Price	Kit Number	Code (Pg. 14)	Rod X Bore Size	List Price
CTC-5078289	P-U-10	40 X 80 mm	\$217.77	CTC-5749252	I-U-10	30 X 60 mm	\$ 408.42
CTC-5126568	WEAR RING KIT		1084.25	CTC-5764154	I-U-10	30 X 55 mm	134.80
CTC-5126571	WEAR RING KIT		1567.31	CTC-5764815	I-U-10	30 X 50 mm	150.42
CTC-5185133	P-UB-10	105 X 150	275.77	CTC-5765831	I-UB-10	40 X 63 mm	94.58
CTC-5185137	P-UB-10	115 mm X 170 mm	359.44	CTC-5765832	I-UB-10	45 mm X 75 mm	130.37
CTC-5185140	P-UB-10	130 X 190 mm	644.07	CTC-5770457	I-U-10	40 X 63 mm	67.01
CTC-5186058	P-UB-10	50 X 80 mm	117.76	CTC-5770458	I-U-10	40 mm X 63 mm	49.03
CTC-5186422	P-UB-10,12	2-1/4 X 5	199.26	CTC-5770460	I-U-14	45 mm X 75 mm	52.12
CTC-518892	P-UB-10	140 X 200 mm	612.98	CTC-5776165	I-U-10	40 X 65 mm	89.43
CTC-5197601	P-UB-10	95 mm X 135 mm	240.56	CTC-5776166	I-U-10	45 mm X 75 mm	93.87
CTC-5197656	P-UB-10	80 mm X 115 mm	188.72	CTC-5792777	I-U-10	30 X 60 mm	335.32
CTC-5197965	P-UB-10	105 mm X 150 mm	357.89	CTC-5792831	I-U-10	35 X 65 mm	408.50
CTC-5199260	P-U-10	30 X 55 mm	385.81	CTC-5797044	I-U-10	40 mm X 65 mm	87.47
CTC-5247632	P-UB-14	63 mm X 110 mm	198.69	CTC-5799491	P-U-10	30 X 60 mm	107.79
CTC-5253494	P-UB-10	105 X 150 mm	240.02	CTC-5803600	P-UB-10	2 X 4	122.17
CTC-5253512	P-UB-10	115 X 170 mm	258.90	CTC-5834276	P-UB-10	70 mm X 115 mm	161.60
CTC-5253515	P-UB-10	115 mm X 170 mm	231.62	CTC-5834278	P-UB-10	55 mm X 90 mm	129.18
CTC-5261958	P-UB-10	100 X 140 mm	287.41	CTC-5834280	P-UB-10	55 mm X 90 mm	117.40
CTC-5266137	P-UB-10	105 mm X 150 mm	187.61	CTC-5834283	P-UB-10	50 mm X 80 mm	187.62
CTC-5280339	P-UB-1	9 X 10-3/4	1340.59	CTC-5834284	P-UB-10	60 mm X 110 mm	136.98
CTC-5282579	P-UB-10	100 X 140 mm	345.64	CTC-5834285	P-UB-10	60 mm X 110 mm	153.20
CTC-5284258	P-UB-10	105 mm X 150 mm	199.04	CTC-5890405	P-U-10	35 mm X 75 mm	113.90
CTC-5289375	P-UB-10	75 mm X 120 mm	181.94	CTC-5918076	P-U-10	30 mm X 60 mm	121.44
CTC-5289380	P-UB-10	70 mm X 100 mm	151.81	CTC-5920825	P-UB-10	30 mm X 55 mm	117.21
CTC-5401438	P-U-1	11 X 13-1/8	2463.01	CTC-5920826	P-UB-10	30 mm X 60 mm	119.42
CTC-5444207	P-UB-10	60 mm X 95 mm	132.85	CTC-5920827	P-UB-10	30 mm X 50 mm	111.95
CTC-5456415	P-UB-10	85 X 120 mm	290.40	CTC-5920828	P-UB-10	35 mm X 65 mm	112.83
CTC-5487522	P-UB-10	60 mm X 85 mm	127.55	CTC-5945734	P-UB-10	105 mm X 150 mm	549.99
CTC-5487528	P-UB-10	55 mm X 100 mm	142.03	CTC-5952016	P-UB-10	115 mm X 170 mm	633.88
CTC-5542902	P-UB-14	95 X 160 mm	455.14	CTC-5952033	P-UB-10	105 mm X 150 mm	551.89
CTC-5551814	P-UB-10	105 X 150	275.77	CTC-5952055	P-UB-10	110 mm X 160 mm	374.53
CTC-5551815	P-UB-10	115 mm X 170 mm	329.49	CTC-5967019	P-UB-10	30 mm X 65 mm	120.24
CTC-5551816	P-UB-10	105 mm X 150 mm	260.28	CTC-5P8433	D-RING KIT		248.19
CTC-5635553	P-UB-10	110 mm X 160 mm	279.83	CTC-5R4759	P-UB-10	1-3/4 X 3	125.82
CTC-5635454	P-U-10	25 X 50 mm	88.03	CTC-5R4760	P-UB-10	1-1/2 X 3-1/2	111.55
CTC-5655572	P-UB-10	105 mm X 150 mm	216.88	CTC-5R4761	P-UB-10	2 X 3-1/4	125.77
CTC-5655573	P-UB-10	105 mm X 150 mm	212.82	CTC-5R4762	P-UB-10	2 X 3-1/4	87.12
CTC-5655574	P-UB-10	110 mm X 160 mm	279.44	CTC-5R4764	P-UB-10	1-1/2 X 2-1/2	49.10
CTC-5655575	P-UB-10	110 mm X 160 mm	272.01	CTC-5R4765	P-UB-10	1-1/2 X 2-1/2	49.10
CTC-5655576	P-UB-10	115 mm X 170 mm	361.61	CTC-5R4766	O-RINGS		12.10
CTC-5655577	P-UB-10	115 mm X 170 mm	247.11	CTC-5U5412	I-U-5	3-1/2 X 5-1/2	109.47
CTC-5659464	P-UB-10	55 mm X 85 mm	121.94	CTC-5U5413	I-U-5	3-1/2 X 4-1/2	433.27
CTC-5661336	P-UB-10	70 mm X 115 mm	175.54	CTC-5U6157	I-U-1	2	15.77
CTC-5661340	P-UB-10	65 mm X 110 mm	152.22	CTC-6068999	I-U-10	1-3/4 X 3	69.38
CTC-5661344	P-UB-10	60 mm X 90 mm	147.69	CTC-6073564	P-U-10	40 mm X 55 mm	79.46
CTC-5661346	P-UB-10	55 mm X 100 mm	128.66	CTC-6073565	P-U-10	30 mm X 64 mm	81.19
CTC-5661350	P-UB-10	75 mm X 110 mm	188.56	CTC-6094296	P-UB-10	45 mm X 90 mm	124.94
CTC-5662718	P-UB-10	65 mm X 95 mm	153.43	CTC-6115900	P-UB-10	85 mm X 140 mm	273.93
CTC-5662722	P-UB-10	65 mm X 85 mm	150.24	CTC-6115924	P-U-10	65 mm X 115 mm	160.93
CTC-5662730	P-UB-10	70 mm X 105 mm	151.89	CTC-6115949	P-U-10	50 mm X 4	133.82
CTC-5690649	P-UB-10	70 mm X 110 mm	168.50	CTC-6217877	P-UB-10	70 mm X 140 mm	206.06
CTC-5708323	I-U-10	40 X 70 mm	223.55	CTC-6217879	P-UB-10	60 mm X 90 mm	179.92
CTC-5732755	P-UB-10	105 mm X 150 mm	219.61	CTC-6268987	P-UB-10	105 mm X 150 mm	288.21

CATERPILLAR®

REPLACEMENT KITS FOR CATERPILLAR® EQUIPMENT

NOTE: CATERPILLAR kit numbers are used as a reference only. We do not imply that these kits are original REPLACEMENT KITS.

Kit Number	Code (Pg. 14)	Rod X Bore Size	List Price	Kit Number	Code (Pg. 14)	Rod X Bore Size	List Price
CTC-6C6156	P-UB-10	100 X 170 mm	\$ 583.08	CTC-7X2715	P-UB-10	3-1/4 X 8-1/4	\$ 401.41
CTC-6I6858	P-UB-10	70 X 100 mm	438.69	CTC-7X2716	P-UB-10	3-1/4 X 9-1/4	255.35
CTC-6Q2203	I,P-U-15	1-1/2	91.87	CTC-7X2717	P-UB-14	3-1/4 X 8-1/4	326.72
CTC-6U4788	I-U-5	3-1/2 X 5-1/2	398.23	CTC-7X2718	P-UB-10	3-1/4 X 7-1/4	309.63
CTC-7S2720	I-V-10	3-1/4 X 9-1/4	401.86	CTC-7X2719	P-UB-10	3-1/2 X 8-1/2	300.49
CTC-7S2721	N-V-10	3-1/4 X 9-1/4	260.12	CTC-7X2720	P-U-10	3-1/2 X 8-1/4	289.04
CTC-7S2727	P-V-10	2-1/4 X 5	164.14	CTC-7X2721	P-UB-10	3-1/2 X 8-1/4	419.95
CTC-7U2662	I-U-5	3-1/2 X 4-1/2	509.31	CTC-7X2722	P-UB-10	3-1/2 X 7-1/2	297.18
CTC-7U6672	I-U-4	3-1/2 X 4	232.62	CTC-7X2723	P-UB-10	3-1/2 X 10-1/2	401.82
CTC-7U7625	I-UB-10	1-3/4 X 3-1/2	221.71	CTC-7X2724	P-UB-14	3-1/2 X 8-1/4	325.05
CTC-7U8058	I-U-10	2-3/4 X 4-1/2	441.14	CTC-7X2725	P-UB-10	3-1/2 X 8-1/4	496.51
CTC-7U8423	I-UB-10	2 X 4	243.20	CTC-7X2725X	P-UB-10	3-1/2 X 8-1/4	183.44
CTC-7U9275	P-UB-4	4 X 4-1/2	504.87	CTC-7X2726	P-UB-14	3-1/2 X 5-1/2	255.67
CTC-7X2486	P-UB-10	3-1/4 X 8-1/4	194.23	CTC-7X2727	P-UB-14	3-1/2 X 8-1/4	444.86
CTC-7X2487	P-UB-10	2 X 4	50.39	CTC-7X2728	P-UB-10	3-1/2 X 8-1/4	279.89
CTC-7X2654	PI-UB-10	2-1/2 X 4	190.41	CTC-7X2729	P-UB-10	2-1/4 X 5	259.72
CTC-7X2657	P-UB-10	2-1/2 X 6-1/2	212.95	CTC-7X2730	P-UB-14	3-1/2 X 7-1/2	256.01
CTC-7X2680	P-UB-10	2-3/4 X 6	219.21	CTC-7X2731	P-UB-10	3-3/4 X 6-1/2	414.43
CTC-7X2681	P-UB-10	2-3/4 X 7-1/4	181.74	CTC-7X2734	P-UB-10	4 X 8-1/2	365.57
CTC-7X2682	P-UB-10	2-3/4 X 5	237.42	CTC-7X2736	P-UB-10	1-1/2 X 2-3/4	165.06
CTC-7X2683	P-UB-14	2-3/4 X 4-1/2	288.25	CTC-7X2737	P-UB-10	1-1/2 X 3	173.75
CTC-7X2684	P-UB-10	2-3/4 X 5-1/2	244.99	CTC-7X2738	P-UB-10	1-1/2 X 4	139.94
CTC-7X2685	P-UB-14	2-3/4 X 4-1/2	262.75	CTC-7X2739	P-UB-10	1-1/2 X 2-1/2	90.45
CTC-7X2686	P-UB-14	2-3/4 X 6-1/2	193.14	CTC-7X2740	P-UB-10	2-1/4 X 3-1/2	124.74
CTC-7X2687	P-UB-10	2-3/4 X 7-1/4	329.74	CTC-7X2741	P-UB-10	1-1/2 X 3-1/4	115.97
CTC-7X2688	P-UB-14	2-3/4 X 6-1/4	236.72	CTC-7X2742	P-UB-14	4 X 8-1/2	345.85
CTC-7X2689	P-UB-10	2-3/4 X 6-1/2	257.61	CTC-7X2743	P-UB-10	2-1/2 X 5	179.74
CTC-7X2690	P-UB-10	2-3/4 X 5-1/2	159.26	CTC-7X2744	P-UB-10	2-1/4 X 4	88.50
CTC-7X2691	P-UB-14	2-3/4 X 7	234.50	CTC-7X2745	P-UB-10	1-1/2 X 3	173.75
CTC-7X2692	P-UB-10	2-1/2 X 6	262.81	CTC-7X2746	P-UB-10	1-1/2 X 3-1/2	111.55
CTC-7X2693	P-UB-10	3 X 6-1/2	288.74	CTC-7X2747	P-UB-10	2-1/4 X 4-1/2	208.41
CTC-7X2694	P-UB-10	3 X 6-1/2	254.15	CTC-7X2748	P-UB-10	2-1/4 X 4-1/2	172.14
CTC-7X2695	P-UB-10	3 X 8-1/4	515.48	CTC-7X2749	P-UB-10	1-1/2 X 2-3/4	94.50
CTC-7X2696	P-UB-10	3 X 6-1/2	139.75	CTC-7X2750	P-UB-10	2-1/4 X 4-1/4	183.01
CTC-7X2697	P-UB-10	3 X 6-1/4	253.07	CTC-7X2751	P-UB-10	1-1/2 X 3	102.45
CTC-7X2698	P-UB-10	3 X 6	298.08	CTC-7X2752	P-UB-10	1-1/2 X 3-1/2	152.63
CTC-7X2699	P-UB-14	3 X 7-1/4	329.85	CTC-7X2753	P-UB-10	2 X 3	103.74
CTC-7X2700	P-V-10	2 X 4-1/2	113.54	CTC-7X2755	P-UB-10	2 X 4	182.47
CTC-7X2701	P-UB-14	3 X 6-1/4	180.28	CTC-7X2755A	P-UB-10	2 X 4	151.25
CTC-7X2702	P-UB-10	3 X 7-1/4	409.40	CTC-7X2756	P-UB-10	3 X 5-1/4	202.29
CTC-7X2703	P-UB-14	3-1/4 X 8-1/4	377.11	CTC-7X2757	P-UB-10	3-1/4 X 6	350.53
CTC-7X2704	P-UB-10	3-1/4 X 7	226.24	CTC-7X2760	P-UB-10	2 X 3	112.74
CTC-7X2705	P-UB-10	3-1/4 X 5-1/2	412.76	CTC-7X2761	P-UB-10	1-3/4 X 4	89.72
CTC-7X2706	P-UB-10	3-1/4 X 7-3/4	409.48	CTC-7X2762	P-UB-10	1-3/4 X 3-1/2	159.96
CTC-7X2707	P-UB-10	3-1/4 X 9-1/4	536.15	CTC-7X2763	P-V-10	2 X 5	216.70
CTC-7X2707A	P-UB-10	3-1/4 X 9-1/4	445.23	CTC-7X2764	P-UB-10	1-3/4 X 3-1/4	110.00
CTC-7X2708	P-UB-10	3-1/4 X 9-1/4	326.06	CTC-7X2765	P-UB-14	4 X 6-1/2	377.11
CTC-7X2709	P-UB-14	3-1/4 X 5-1/2	258.43	CTC-7X2766	P-UB-10	2 X 4-1/4	70.60
CTC-7X2710	P-UB-10	3-1/4 X 7	325.07	CTC-7X2767	P-UB-10	2 X 3-1/4	108.65
CTC-7X2711	P-UB-10	3-1/4 X 6-1/2	335.45	CTC-7X2768	P-UB-10	2 X 4-1/2	141.85
CTC-7X2712	P-UB-10	3-1/4 X 5-1/2	148.21	CTC-7X2769	P-UB-10	2 X 3-1/2	180.37
CTC-7X2713	P-UB-14	3-1/4 X 6-1/2	213.81	CTC-7X2770	P-V-10	2 X 4-1/2	156.70
CTC-7X2714	P-UB-14	3-1/4 X 5-1/2	258.43	CTC-7X2773	P-UB-10	2-1/2 X 4-3/4	208.14

CATERPILLAR®

REPLACEMENT KITS FOR CATERPILLAR® EQUIPMENT

NOTE: CATERPILLAR kit numbers are used as a reference only. We do not imply that these kits are original REPLACEMENT KITS.

Kit Number	Code (Pg. 14)	Rod X Bore Size	List Price	Kit Number	Code (Pg. 14)	Rod X Bore Size	List Price
CTC-7X2782	P-UB-10	2 X 4	\$ 68.21	CTC-7X7938	P-UB-10	2 X 3-3/4	\$ 167.35
CTC-7X2783	P-UB-10	2 X 3-1/2	164.74	CTC-7X7947	P-UB-10	2 X 4	100.26
CTC-7X2784	P-UB-10	1-3/4 X 3-1/2	114.46	CTC-7X7956	P-UB-10	1-3/4 X 3	48.66
CTC-7X2785	P-UB-10	2 X 4	130.79	CTC-7Y4698	P-UB-10	105 X 150 mm	531.00
CTC-7X2787	P-UB-10	2 X 3-3/4	165.33	CTC-7Y4970	P-UB-10	110 X 170 mm	602.49
CTC-7X2788	P-UB-10	2 X 5	189.80	CTC-7Y5145	P-UB-10	85 X 130 mm	427.56
CTC-7X2789	P-UB-10	2 X 4	163.22	CTC-7Y5147	P-UB-10	95 X 130 mm	478.17
CTC-7X2790	P-UB-10	1-3/4 X 4	148.71	CTC-8C3316	P-UB-10	1-1/2 X 3-1/2	84.96
CTC-7X2791	P-UB-10	1-3/4 X 3	141.74	CTC-8C3317	P-UB-10	1-1/2 X 2-3/4	79.28
CTC-7X2792	P-UB-10	2 X 3-1/2	140.42	CTC-8C3318	P-UB-10	1-3/4 X 2-3/4	48.28
CTC-7X2793	P-UB-10	4 X 10-1/2	471.70	CTC-8C3319	P-UB-10	1-3/4 X 4	78.16
CTC-7X2794	P-UB-10	3-3/4 X 6	594.06	CTC-8C3408	P-UB-10	2 X 3-1/2	95.21
CTC-7X2795	P-UB-10	2-1/4 X 4	168.89	CTC-8C4029	P-UB-10	1-1/2 X 3	56.16
CTC-7X2796	P-V-10	2-3/4 X 9-1/4	194.38	CTC-8C4030	P-UB-10	3-1/4 X 6-1/2	426.73
CTC-7X2797	P-V-10	2 X 5	113.43	CTC-8C4031	P-UB-10	3-1/4 X 5-1/2	411.07
CTC-7X2798	P-UB-10	2-1/4 X 3-3/4	121.44	CTC-8C4398	P-UB-10	5-3/4 x 7	588.59
CTC-7X2799	P-UB-10	4 X 9-1/4	454.33	CTC-8C4510	P-UB-1	2	50.88
CTC-7X2800	P-V-10	2 X 4	100.89	CTC-8C5768	P-UB-10	2-1/2 X 6	158.71
CTC-7X2801	P-UB-10	3-1/4 X 8-1/4	364.97	CTC-8C5788	I-SP-3,10	7-1/4, 11 X 9-1/2, 12-1/4	886.28
CTC-7X2802	P-UB-10	2-1/4 X 4	146.69	CTC-8C6707	P-UB-10	3 X 6-1/2	196.77
CTC-7X2803	P-UB-10	2-3/4 X 6	263.22	CTC-8C6896	P-UB-10	2-1/2 X 4-3/4	126.82
CTC-7X2804	P-UB-14	2-3/4 X 6-1/2	297.95	CTC-8C6958	P-U-10	4-1/2 X 6	414.20
CTC-7X2805	P-UB-10	2 X 4-1/2	101.85	CTC-8C8731	P-U-10	5-3/4 X 8-1/4	632.94
CTC-7X2806	P-U-10	2 X 3-1/2	194.12	CTC-8C9353	P-UB-10	2 X 4	94.63
CTC-7X2807	P-UB-10	1-3/4 X 3-3/4	59.24	CTC-8C9438	P-UB-10	2 X 4-1/2	119.49
CTC-7X2808	P-UB-10	2-3/8 X 3-3/4	129.01	CTC-8J2004	O-RINGS		15.93
CTC-7X2809	P-UB-10	7 X 11-1/2	722.85	CTC-8J2005	O-RINGS		17.28
CTC-7X2810	P-UB-10	4 X 10	369.29	CTC-8J8902K	I-SP-1	9 X 10-1/2	763.52
CTC-7X2811	P-UB-14	4 X 10	439.22	CTC-8T1370	P-UB-10	2 X 4	88.93
CTC-7X2812	P-UB-10	1-1/2 X 3-1/2	161.27	CTC-8T1371	P-UB-10	1-3/4 X 4	80.11
CTC-7X2813	P-UB-10	3 X 5-1/2	300.36	CTC-8T1372	P-UB-10	1-1/2 X 3-1/2	73.68
CTC-7X2814	P-UB-14	3-3/4 X 6	317.67	CTC-8T1373	P-UB-10	1-3/4 X 3	68.61
CTC-7X2815	P-UB-10	2-1/4 X 4-3/4	154.71	CTC-8T1374	P-UB-10	2-1/2 X 5-1/2	149.41
CTC-7X2816	P-UB-10	4 X 5	312.95	CTC-8T1375	P-UB-10	2-1/2 X 5	107.67
CTC-7X2817	P-UB-10	4 X 10	456.55	CTC-8T1376	P-UB-10	2-1/2 X 6-1/2	127.25
CTC-7X2818	P-UB-10	2-1/4 X 3-1/2	144.32	CTC-8T1378	P-UB-10	2-1/2 X 4	108.65
CTC-7X2819	P-UB-10	2 X 4-1/4	168.18	CTC-8T1379	P-UB-10	3-1/4 X 8-1/4	201.78
CTC-7X2820	P-UB-10	1-3/4 X 2-3/4	126.58	CTC-8T1380	P-UB-10	2 X 3-1/2	84.51
CTC-7X2821	P-UB-10	2 X 3-1/4	192.09	CTC-8T1381	P-UB-10	2-1/2 X 4-3/4	121.81
CTC-7X2822	P-UB-10	2 X 3-1/2	152.83	CTC-8T1382	P-UB-10	1-1/2 X 4	59.72
CTC-7X2823	P-UB-10	3-1/4 X 5-1/2	379.29	CTC-8T1383	P-UB-10	2-3/4 X 6-1/2	133.64
CTC-7X2824	P-U-10	2-3/4 X 5	190.24	CTC-8T1384	P-UB-10	4 x 8-1/2	327.98
CTC-7X2825	P-UB-10	1-3/4 X 3	85.90	CTC-8T1385	P-UB-10	2-1/4 X 5	126.21
CTC-7X2826	P-UB-10	1-1/2 X 2-1/4	65.19	CTC-8T1386	P-UB-10	2 X 4	107.77
CTC-7X2827	P-UB-10	1-3/4 X 2-1/2	64.02	CTC-8T1387	I-U-10	3/4 X 1-1/2	64.09
CTC-7X2828	P-UB-10	1-3/4 X 2-3/4	88.98	CTC-8T1388	P-UB-10	1-3/4 X 3-1/2	78.27
CTC-7X2836	P-UB-14	2-1/2 X 6	238.35	CTC-8T1389	P-UB-10	2-3/8 X 4	76.19
CTC-7X2882	P-UB-10	1-3/4 X 3-1/2	115.93	CTC-8T1390	P-V-10	2 X 5	129.39
CTC-7X7718	P-UB-10	4-3/4 X 6-1/2	401.92	CTC-8T1391	P-UB-10	3-1/4 X 6	148.21
CTC-7X7719	P-UB-10	4-3/4 X 6-1/2	410.06	CTC-8T1392	P-UB-10	1-3/4 X 3-1/4	89.29
CTC-7X7734	P-UB-10	4-3/4 X 7	531.43	CTC-8T1393	P-UB-10	3-1/2 X 8-1/2	232.38
CTC-7X7735	P-UB-10	3-1/2 X 6	403.20	CTC-8T1394	P-UB-10	3-1/4 X 7	146.54
CTC-7X7937	P-UB-10	2 X 4	223.75	CTC-8T1395	P-UB-10	2-1/4 X 4-1/2	102.77

CATERPILLAR®

REPLACEMENT KITS FOR CATERPILLAR® EQUIPMENT

NOTE: CATERPILLAR kit numbers are used as a reference only. We do not imply that these kits are original REPLACEMENT KITS.

Kit Number	Code (Pg. 14)	Rod X Bore Size	List Price	Kit Number	Code (Pg. 14)	Rod X Bore Size	List Price
CTC-8T1396	P-UB-10	2-1/4 X 4-1/2	\$ 89.78	CTC-8T1481	P-V-10	2 X 4	\$108.45
CTC-8T1397	P-UB-10	1-1/2 X 2-1/2	71.53	CTC-8T1484	P-UB-10	2-1/4 X 4	100.28
CTC-8T1398	P-UB-14	3-1/4 X 5-1/2	170.35	CTC-8T1488	P-V-10	2-1/2 X 6	165.97
CTC-8T1399	P-UB-10	3-1/4 X 7-3/4	190.85	CTC-8T1489	P-UB-10	3 X 6	154.40
CTC-8T1400	P-UB-10	3 X 6-1/2	129.19	CTC-8T1494	P-UB-10	2-3/4 X 5-1/2	129.09
CTC-8T1401	P-V-10	3-1/2 X 8-1/4	217.32	CTC-8T1525	P-UB-10	2-3/4 X 5-1/2	140.40
CTC-8T1402	P-UB-10	1-1/2 X 2-3/4	71.30	CTC-8T1526	P-UB-10	2-3/4 X 6	121.83
CTC-8T1403	P-V-10	2-1/2 X 6	187.30	CTC-8T1527	P-UB-10	2-3/4 X 5	118.36
CTC-8T1404	P-UB-10	2-3/4 X 7-1/4	174.33	CTC-8T1528	P-UB-10	2-3/4 X 6-1/2	130.43
CTC-8T1405	P-UB-10	3 X 8-1/4	235.02	CTC-8T1529	P-UB-10	2-3/4 X 7	182.70
CTC-8T1406	P-V-10	2-1/2 X 5	114.40	CTC-8T1530	P-UB-10	2-3/4 X 6-1/4	199.72
CTC-8T1408	P-UB-10	3 X 6-1/2	129.19	CTC-8T1531	P-UB-10	2 X 4-1/2	86.09
CTC-8T1409	P-UB-10	4 X 6-1/2	272.18	CTC-8T1532	P-V-10	2 X 3-1/2	101.47
CTC-8T1410	P-UB-10	3-1/2 X 8-1/4	197.76	CTC-8T1534	P-UB-10	2-1/2 X 4-1/2	103.46
CTC-8T1411	P-UB-10	3-1/4 X 9-1/4	210.10	CTC-8T1541	P-UB-10	1-3/4 X 3-3/4	72.96
CTC-8T1412	P-UB-10	2 X 4-1/4	70.60	CTC-8T1542	P-UB-10	2-3/8 X 3-3/4	96.83
CTC-8T1413	P-UB-10	2-1/4 X 4-1/4	106.18	CTC-8T1543	I-UB-10	5-1/2 X 9-1/2	736.38
CTC-8T1414	P-UB-10	2 X 3-1/4	79.47	CTC-8T1544	P-UB-10	7 X 11-1/2	430.36
CTC-8T1415	P-V-10	6 X 8-1/4	473.30	CTC-8T1545	P-UB-14	4-3/4 X 7-1/4	462.31
CTC-8T1416	P-UB-10	2-1/2 X 7-1/4	145.63	CTC-8T1546	P-UB-10	4 X 10	310.03
CTC-8T1417	P-UB-10	2-3/4 X 7-1/4	181.74	CTC-8T1548	P-UB-10	1-1/2 X 3-1/2	76.74
CTC-8T1418	P-V-10	2-1/2 X 6	155.18	CTC-8T1549	P-UB-14	3 X 5-1/2	184.01
CTC-8T1419	P-UB-10	2 X 4-1/2	91.04	CTC-8T1551	P-UB-14	3 X 7-1/4	181.92
CTC-8T1420	P-UB-10	2 X 3-1/2	87.84	CTC-8T1553	P-V-10	2-3/4 X 6	180.75
CTC-8T1421	P-V-10	2 X 4-3/4	125.41	CTC-8T1554	P-V-14	2-3/4 X 6-1/2	220.42
CTC-8T1422	P-V-10	2-1/2 X 6	187.30	CTC-8T1555	P-UB-14	3-1/4 X 6-1/2	173.43
CTC-8T1423	P-UB-10	3-1/2 X 7-1/2	195.98	CTC-8T1558	P-UB-10	5-3/4 X 8-1/4	979.98
CTC-8T1426	P-V-10	3-1/4 X 5-1/2	324.06	CTC-8T1559	P-UB-10	3-1/2 X 8-1/4	179.70
CTC-8T1427	P-V-10	3-1/4 X 6-1/2	355.94	CTC-8T1563	P-UB-10	3-1/4 X 5-1/2	158.24
CTC-8T1428	P-UB-10	3 X 5-1/4	171.99	CTC-8T1565	P-UB-14	4-3/4 X 7	392.67
CTC-8T1429	P-UB-10	2-1/2 X 4-1/4	79.02	CTC-8T1566	P-UB-14	3-1/4 X 6-1/2	174.87
CTC-8T1430	P-UB-10	3-1/4 X 9-1/4	235.04	CTC-8T1567	P-UB-14	4-3/4 X 7	381.41
CTC-8T1432	P-UB-10	4 X 10-1/2	278.80	CTC-8T1772	P-UB-10	2-1/2 X 4-1/2	130.17
CTC-8T1435	P-UB-10	1-1/2 X 3	69.97	CTC-8T1906	P-UB-10	3 X 6	147.42
CTC-8T1438	P-UB-10	2-1/2 X 4-1/4	100.38	CTC-8T1908	P-UB-14	4-3/4 X 6	348.47
CTC-8T1439	P-UB-10	2-1/4 X 4	101.89	CTC-8T1909	P-UB-10	5 X 6	536.07
CTC-8T1448	P-UB-10	3-1/2 X 10-1/2	253.81	CTC-8T2066	P-UB-10	2-1/2 X 6	169.16
CTC-8T1451	P-UB-10	3 X 6-1/4	149.92	CTC-8T2166	P-UB-10	3-1/4 X 8-1/4	211.95
CTC-8T1456	P-UB-14	6-1/2 X 10-1/2	637.35	CTC-8T2216	P-UB-10	2-1/4 X 4-3/4	119.24
CTC-8T1457	P-UB-10	4 X 7	307.30	CTC-8T2289	P-UB-10	4 X 5	175.23
CTC-8T1461	P-UB-10	4-1/4 X 6-1/2	364.07	CTC-8T2332	P-UB-10	3 X 6-1/4	165.83
CTC-8T1462	P-UB-14	4-3/4 X 6-1/2	389.54	CTC-8T2583	P-UB-14	3-1/2 X 8-1/2	218.99
CTC-8T1464	P-UB-10	2-3/8 X 4-1/4	85.78	CTC-8T3015	P-UB-10	2-1/2 X 3-3/4	94.18
CTC-8T1466	P-UB-10	2-1/2 X 4	104.72	CTC-8T3565	P-UB-10	4 X 10	620.63
CTC-8T1467	P-UB-10	3-1/2 X 8-1/4	232.19	CTC-8T3574	P-UB-10	2-1/4 X 3-1/2	80.60
CTC-8T1468	P-UB-10	3-1/2 X 8-1/4	183.51	CTC-8T3575	P-UB-10	2 X 4-1/4	72.40
CTC-8T1470	P-UB-10	2-3/4 X 4-1/2	147.62	CTC-8T3576	P-UB-10	2-1/2 X 5-1/2	144.57
CTC-8T1472	P-UB-10	2-1/2 X 6-1/2	130.34	CTC-8T3577	P-UB-10	2-1/2 X 5-1/2	110.73
CTC-8T1473	P-UB-10	2-1/4 X 3-3/4	68.56	CTC-8T3589	P-UB-10	1-7/8 X 3-1/4	129.29
CTC-8T1474	P-UB-10	4 X 9-1/4	266.63	CTC-8T3590	P-UB-10	2 X 3-1/4	120.49
CTC-8T1477	P-UB-14	3-1/2 X 8-1/4	323.65	CTC-8T3591	P-UB-10	2-1/8 X 3-1/2	167.82
CTC-8T1479	P-UB-10	5 X 7-3/4	610.61	CTC-8T3592	P-UB-10	2 X 3-1/2	102.07
CTC-8T1480	P-V-10	1-1/4 X 4	132.35	CTC-8T3593	P-UB-10	2-1/8 X 4	113.57

CATERPILLAR®

REPLACEMENT KITS FOR CATERPILLAR® EQUIPMENT

NOTE: CATERPILLAR kit numbers are used as a reference only. We do not imply that these kits are original REPLACEMENT KITS.

Kit Number	Code (Pg. 14)	Rod X Bore Size	List Price	Kit Number	Code (Pg. 14)	Rod X Bore Size	List Price
CTC-8T3648	P-UB-10	3-1/4 X 9-1/4	\$196.02	CTC-C75300031	P-UB-13	65 X 110 mm	\$ 413.85
CTC-8T3649	P-UB-10	3-1/2 X 7-1/2	200.70	CTC-C95300623	P-UB-10	80 X 120 mm	443.25
CTC-8T3739	P-UB-10	3-1/4 X 8-1/4	220.12	CTC-C95300731	P-UB-10	65 X 100 mm	304.27
CTC-8T3740	P-UB-10	3 X 7-1/4	166.89	CTC-C95301729	P-UB-10	75 X 110 mm	311.47
CTC-8T3741	P-UB-10	2-3/4 X 6-1/2	145.43	CTC-E25300061	P-UB-14	90 X 140 mm	678.61
CTC-8T3852	P-UB-10	1-7/8 X 3	308.60	CTC-E35300040	P-UB-10	85 X 125 mm	516.36
CTC-8T4770	P-UB-10	3-1/4 X 7-1/4	153.15	CTC-E75300010	P-UB-10	100 X 140 mm	616.32
CTC-8T4772	I-SP-10	4, 6-1/2 X 5-3/4	503.20	CTC-E85300011	P-UB-10	85 X 120 mm	622.25
CTC-8T4891	P-UB-10	2-1/2 X 4-3/4	123.55	CTC-E85300021	P-UB-10	95 X 130 mm	686.53
CTC-8T4892	P-UB-10	1-1/2 X 3-1/2	82.35	CTC-E85300031	P-UB-10	75 X 115 mm	577.04
CTC-8T4939	I-SP-3,10	7-1/4, 10-1/2 X 9-1/4, 11-1/2	1237.01	CTC-F15300011	P-UB-14	100 X 150 mm	751.55
CTC-8T4940	P-V-10	2-3/4 X 5	137.56	CTC-F15300021	P-UB-14	110 X 160 mm	623.56
CTC-8T9042	I-SP-10	5,7-1/2 X 8-1/4	728.16	CTC-SK100001	P-UB-10	60 X 100 mm	213.32
CTC-9J3886	O-RINGS		3.46	CTC-SK100003	P-UB-10	95 X 130 mm	303.81
CTC-9J5106	PUMP KIT		57.27	CTC-SK100004	P-UB-10	130 X 180 mm	631.16
CTC-9J5118	PUMP KIT		47.08	CTC-SK100005	P-UB-10	70 X 140 mm	449.69
CTC-9J5119	PUMP KIT		47.81	CTC-SK100006	P-UB-10	115 X 170 mm	621.96
CTC-9J6488	O-RINGS		15.15	CTC-SK100007	P-UB-10	2-1/2 X 4	72.36
CTC-9M5603	P-V-10	2-3/4 X 9-1/4	262.52	CTC-SK100008	P-UB-10,12	2-1/2 X 4	484.24
CTC-9M5604	P-U-10	2-1/2 X 7-1/4	181.69	CTC-SK100009	P-UB-10	2-1/2 X 5-1/2	117.41
CTC-9M5605	P-V-10	2-3/4 X 8-1/4	238.94	CTC-SK100010	P-UB-10	3-1/4 X 7	316.46
CTC-9S3135	SPLIT FLANGE O-RING KIT		64.44	CTC-SK100011	P-UB-10	3-1/2 X 6	239.21
CTC-9T0418	I-U-3	1 X 2	146.42	CTC-SK100012	P-UB-10	3 X 5	205.40
CTC-9T1834K	P-UB-10	2-1/8 X 3-1/4	351.85	CTC-SK100017	P-UB-10	6-1/2 X 9-1/4	1453.39
CTC-9T2716K	P-UB-10	2-1/2 X 5	129.29	CTC-SK100018	P-UB-10	7 X 10	1368.99
CTC-9T3972K	I-SP-1	9 X 10-1/2	763.52	CTC-SK100019	P-UB-10	150 X 220 mm	775.23
CTC-9T7125	P-SP-1	1" Rod Kit	25.66	CTC-SK100020	I-SP-10	5,7-1/2 X 6-1/2,8-1/4	677.21
CTC-9X2020	I-UB-10	2-3/4 X 3-3/4	174.12	CTC-SK100022	P-UB-1	9 X 10-1/2	611.46
CTC-9X2031	P-UB-10	2-1/8 X 3-1/4	349.31	CTC-SK100023	P-UB-10	2-1/2 X 3-1/2	278.02
CTC-9X2047	P-UB-10	2-1/2 X 5-1/2	145.13	CTC-SK100024	P-UB-10	2-1/2 X 3-1/2	246.20
CTC-9X2050	P-UB-10	2-1/2 X 5-1/2	161.08	CTC-SK100025	P-UB-10	85 X 120 mm	155.25
CTC-9X2063	P-UB-10	4-3/4 X 7	336.34	CTC-SK100026	P-UB-10	60 X 90 mm	340.39
CTC-9X2150	P-UB-10	1-1/2 X 2-3/4	91.44	CTC-SK100027	P-V-10	1-1/2 X 4	41.99
CTC-9X2151	P-UB-10	2-1/2 X 4-3/4	132.86	CTC-SK100029	I-V-10	1-1/2 X 4	36.29
CTC-9X2153	P-UB-10	1-1/2 X 2-3/4	84.93	CTC-SK100030	P-V-8	2 X 5	129.59
CTC-9X2400	P-UB-10	2-1/8 X 4	190.64	CTC-SK100031	P-U-10	2-1/2 X 4-1/2	81.59
CTC-9X2473	P-UB-10	2-3/4 X 6-1/2	215.29	CTC-SK100032	P-U-10	2-1/2 X 6	153.91
CTC-9X2515	P-UB-10	2-1/4 X 4	88.50	CTC-SK100033	P-U-10	2-1/2 X 6	107.04
CTC-9X2638	P-UB-10	1-3/4 X 2-3/4	57.13	CTC-SK100034	P-UB-10	2-3/4 X 7-1/4	128.95
CTC-9X2641	P-UB-10	2-1/4 X 4	88.50	CTC-SK100035	P-UB-10	2-3/4 X 5-1/2	100.04
CTC-9X2644	P-UB-10	3-1/2 X 7-3/4	314.86	CTC-SK100036	P-V-10	2-3/4 X 7-1/4	145.52
CTC-9X2645	P-UB-10	3-1/2 X 7-3/4	181.68	CTC-SK100037	P-V-10	2-3/4 X 8-1/4	186.47
CTC-9X6027	P-SP-10	2-1/2 X 5-1/2	181.58	CTC-SK100038	I-V-10	2-3/4 X 7-1/4	134.99
CTC-9X6254	P-UB-10	4-1/4 X 6-1/2	387.18	CTC-SK100039	P-UB-10	3 X 8-1/4	135.38
CTC-9X6255	P-UB-10	4-1/4 X 6-1/2	391.53	CTC-SK100040	P-V-10	3 X 8-1/4	197.39
CTC-9X6261	P-UB-10	4 X 6	370.55	CTC-SK100041	P-V-10	3 X 9-1/4	212.69
CTC-9X6263	P-UB-10	4 X 6	329.47	CTC-SK100042	I-V-10	3 X 8-1/4	200.23
CTC-9X6379	P-UB-10	4-1/4 X 6-1/2	507.85	CTC-SK100043	I-UB-10	3-1/4 X 9-1/4	178.54
CTC-9X6392	P-UB-10	2-1/4 X 5	255.99	CTC-SK100044	P-V-10	3-1/4 X 9-1/4	211.12
CTC-9X6393	P-UB-10	3-3/4 X 6	437.23	CTC-SK100045	I-V-10	3-1/4 X 9-1/4	204.16
CTC-9X6398	P-V-10	3-1/4 X 6-1/2	349.90	CTC-SK100046	P-UB-10	3-1/2 X 8-1/4	239.52
CTC-C75300011	P-UB-13	70 X 110 mm	392.04	CTC-SK100047	I-UB-10	3 X 8-1/4	174.03
CTC-C75300021	P-UB-13	80 X 120 mm	374.93	CTC-SK100048	P-V-13	7-1/4 X 10-1/4	768.54

CATERPILLAR®

REPLACEMENT KITS FOR CATERPILLAR® EQUIPMENT

NOTE: CATERPILLAR kit numbers are used as a reference only. We do not imply that these kits are original REPLACEMENT KITS.

Kit Number	Code (Pg. 14)	Rod X Bore Size	List Price	Kit Number	Code (Pg. 14)	Rod X Bore Size	List Price
CTC-SK100049	P-V-13	7-1/4 X 10-1/4	\$766.91	CTC-SK100186	P-U-10	55 X 90 mm	\$106.89
CTC-SK100050	I-U-10	1 X 2	43.41	CTC-SK100188	P-UB-10	55 X 85 mm	138.89
CTC-SK100051	P-UB-10	3-1/2 X 8-1/4	286.20	CTC-SK100189	P-UB-10	70 X 110 mm	268.68
CTC-SK100052	P-UB-10	3 X 6-1/4	217.09	CTC-SK100190	P-UB-10	60 X 95 mm	163.36
CTC-SK100053	P-UB-10	4 X 6-1/2	444.55	CTC-SK100196	P-UB-10	2-1/4 X 4	136.41
CTC-SK100054	P-UB-10	2-1/2 X 5-1/2	332.29	CTC-SK100207	TRACK ADJ	TRACK ADJ	43.57
CTC-SK100055	P-UB-10	2-1/4 X 5	561.93	CTC-SK100208	P-UB-10	100 X 170	295.35
CTC-SK100056	P-UB-10	2-3/4 X 5-1/2	165.18	CTC-SK100209	P-UB-10	100 X 150	221.17
CTC-SK100057	N-N-10	5	48.92	CTC-SK100210	P-UB-10	100 X 150	265.40
CTC-SK100059	N-N-10	5	121.63	CTC-SK100211	P-U-10	40 X 55	71.65
CTC-SK100060	P-U-1	7 X 8	1097.59	CTC-SK100212	P-U-10	30 X 65	70.53
CTC-SK100061	P-UB-10	2-1/2 X 3-1/2	135.83	CTC-SK100219	P-UB-10	65 X 130 mm	175.81
CTC-SK100062	P-SP,U-1	12-1/2 X 15-1/8	2781.63	CTC-SK100220	P-UB-10	3-1/2 X 6-1/4	235.87
CTC-SK100063	P-SP,U-1	12-1/2 X 15-1/8	2811.41	CTC-SK100221	P-UB-10	5 X 9-1/4	508.38
CTC-SK100064	P-UB-10	2-3/4 X 6	303.48	CTC-SK100222	P-UB-10	85 X 160 mm	227.03
CTC-SK100065	P-UB-10	40 mm X 90 mm	70.88	CTC-SK100223	P-UB-10	95 X 180 mm	313.58
CTC-SK100066	P-UB-10	7-1/4 X 10	682.44	CTC-SK100224	P-UB-10	85 X 140 mm	196.03
CTC-SK100081	P-UB-10	6-1/2 X 220 mm	988.61	CTC-SK100225	P-UB-10	3-1/4 X 6-1/4	208.77
CTC-SK100089	P-UB-10	7 X 220 mm	719.12	CTC-SK100226	P-UB-10	115 mm X 170 mm	247.44
CTC-SK100090	P-UB-10	7 X 220 mm	692.40	CTC-SK100227	P-UB-10	60 mm X 90 mm	234.88
CTC-SK100095	P-UB-10	2-1/2 X 3-1/2	140.81	CTC-SK100228	P-UB-10	70 mm X 5-1/2	252.51
CTC-SK100097	P-UB-1	7 X 8-1/2	465.11	CTC-SK100229	P-UB-10	65 mm X 120 mm	197.03
CTC-SK100106	P-UB-10	85 X 150 mm	220.91	CTC-SK100230	P-UB-10	65 mm X 5-1/2	224.09
CTC-SK100107	P-UB-10	85 X 140 mm	204.87	CTC-SK100231	P-UB-10	70 mm X 130 mm	259.20
CTC-SK100108	P-UB-10	85 X 160 mm	235.69	CTC-SK100232	P-UB-10	70 mm X 120 mm	237.36
CTC-SK100112	P-UB-10	1-1/2 X 3	60.85	CTC-SK100233	P-UB-10	2-1/4 X 4-1/2	164.91
CTC-SK100113	P-UB-10	60 X 110 mm	238.38	CTC-SK100234	P-UB-10	55 mm X 85 mm	188.44
CTC-SK100114	P-UB-10	45 X 90 mm	168.07	CTC-SK100235	P-UB-10	2-1/2 X 5	182.65
CTC-SK100163	P-UB-10	85 X 150 mm	216.94	ELPH-1DE3187	P-UB-14	4 X 230 mm	595.34
CTC-SK100164	P-UB-10	85 X 170 mm	366.14	ELPH-9DE1800	P-UB-10	3 X 6	294.49
CTC-SK100165	P-UB-10	100 X 190 mm	305.37	ELPH-9DE1809	P-UB-10	2-1/2 X 5	253.62
CTC-SK100166	P-UB-10	100 X 190 mm	345.36	ELPH-9DE1817	P-UB-10	3-1/4 X 7-3/4	378.67
CTC-SK100167	P-UB-10	90 X 170 mm	300.96	ELPH-9DE2659	P-UB-10	4 X 8-1/2	406.08
CTC-SK100180	P-U-10	55 X 90 mm	92.68	ELPH-9DE2994	P-UB-10	4 X 10	518.91
CTC-SK100181	P-U-10	55 X 100 mm	119.67	ELPH-9EL7527	P-UB-10	4 X 8-1/2	453.00
CTC-SK100182	P-U-10	50 X 80 mm	113.77	ELPH-9EL8333	P-UB-10	5-1/2 X 10-1/2	897.25
CTC-SK100183	P-U-10	55 X 90 mm	106.89	ELPH-9EP9170	P-UB-10	5 X 9-1/4	503.55
CTC-SK100184	P-U-10	55 X 100 mm	119.67	ELPH-9EQ0379	P-UB-10	3 X 6	345.11
CTC-SK100185	P-U-10	55 X 100 mm	119.67	ELPH-9EQ0380	P-UB-10	4-1/4 X 8-1/4	369.34

REPLACEMENT KITS FOR CATERPILLAR® EQUIPMENT

CAT D-RING KIT

This handy kit, in an unbreakable box, contains the 9 most popular sized D-Rings used on CATERPILLAR equipment.

Part Number: CTC-4C4784
List Price: \$248.19



CAT SILICONE O-RING KIT

This handy kit, in an unbreakable box, contains 149 silicone O-Rings in the 32 most popular sizes used on CATERPILLAR equipment.

Part Number: CTC-4C8253
List Price: \$ 668.59



CAT NITRILE O-RING KIT

This handy kit, in an unbreakable box, contains 570 nitrile O-Rings in the 32 most popular sizes used on CATERPILLAR equipment.

Part Number: CTC-4C4782
List Price: \$419.37



CAT KIT FACE KIT

This handy kit contains a total of 120 90 Durometer O-Rings in 8 different sizes.

Part Number: CTC-4C5859
List Price: \$123.55



CAT FLANGE KIT

This handy kit contains the 6 most popular sized flange seals O-Rings used on CATERPILLAR equipment.

Part Number: CTC-2701545
List Price: \$64.44



REPLACEMENT PARTS FOR CATERPILLAR® EQUIPMENT

Repair parts for Caterpillar are available online at www.HerculesUS.com or by contacting the Hercules Sales Team at the information provided below.

Scan the QR code for quick access.

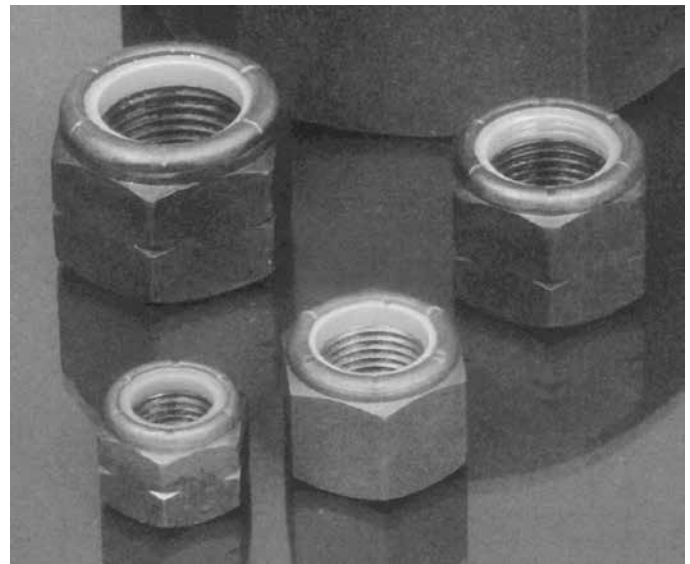


CATERPILLAR®

“NYLON INSERT” LOCKING NUTS

Manufactured from the finest quality steel to offer superior strength, Hercules Sealing Products locking nuts with nylon inserts are specifically designed and manufactured to exact dimensions. The high temperature locking inserts are designed to withstand the high temperatures associated with close tolerance performance applications.

Part Number	Thread Size & Pitch	Height	Flats	List Price
CTC-2J0564	2 - 12	1-5/8	3-1/8	\$96.26
CTC-2J3247	1-3/4 - 12	1-7/16	2-3/4	90.18
CTC-2J3950	1-1/2 - 12	1-5/16	2-3/8	61.99
CTC-2J6384	1-1/4 - 12	1-1/8	2	55.23
CTC-2J7686	2-1/2 - 12	2-3/16	4	444.43
CTC-3J6899	2-1/4 - 12	2-13/16	3-1/2	280.66
CTC-3J9449	2-1/2 - 12	2-5/8	4	415.38
CTC-3J9545	2 - 12	2-7/16	3-1/8	258.31
CTC-4J6888	2-3/4 - 12	2-1/4	4	262.58
CTC-4J8734	2-3/4 - 12	3-1/8	4	502.03
CTC-5J3488	2-1/4 - 12	1-15/16	3-1/2	204.97
CTC-5J5731	1-3/4 - 12	1-7/16	2-1/2	57.82
CTC-7J9250	3-1/4 - 12	3-1/8	4-1/2	536.86
CTC-9X6017	3-1/4 - 12	3-1/2	5-1/4	505.04
CTC-9X6018	4 - 12	3.73	5.62	1126.84
CTC-1438149	M48 × 2	50 mm	75 mm	240.01
CTC-1438150	M56 × 2	56 mm	85 mm	252.24
CTC-1336686	M56 × 2	57 mm	80 mm	275.80
CTC-1475835	M64 × 2	63 mm	95 mm	339.06
CTC-7Y4622	M72 × 2	70 mm	105 mm	598.33
CTC-7Y4695	M80 × 2	76 mm	115 mm	600.10
CTC-1232060	M80 × 2	64 mm	115 mm	425.45
CTC-1232112	M90 × 2	76 mm	130 mm	753.05
CTC-7Y4956	M90 × 2	84 mm	130 mm	718.60
CTC-0875385	M95 × 2	88 mm	135 mm	894.95
CTC-1261971	M100 × 2	89 mm	146 mm	1232.09
CTC-1163513	M105 × 2	97 mm	150 mm	1422.07
CTC-1163516	M120 × 2	108 mm	170 mm	1709.27

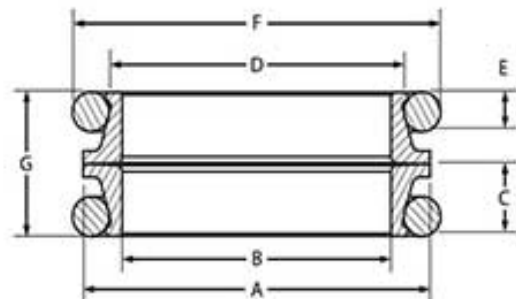


REPLACEMENT PARTS FOR CATERPILLAR® EQUIPMENT

DUO CONE SEALS

Duo-Cone replacement floating seals are precision ground metal face-seals made from 52100 high carbon steel for superior finish and wear resistance for Caterpillar® applications. Soft static seals ensure proper sealing in the harshest conditions. These heavy duty maintenance-free seals are designed to fit OEM applications for top performance.

Part Number	A	B	C	D	E	F	G	List Price
CTC-9W5224	82.5	63.5	16	66.2	9.6	87.3	34.1	\$28.93
CTC-2M2858	82.5	63.5	16	66.2	9.6	87.3	34.1	26.79
CTC-9S3521	82.5	63.5	16	66.2	9.6	87.3	34.1	26.79
CTC-9W7216	82.5	63.5	16	66.2	9.6	87.3	34.1	26.79
CTC-9G5315	210	182	19	184	12.7	216	41.3	103.91
CTC-4M2621	210	182	19	184	12.7	216	41.3	96.21
CTC-5M1176	210	182	19	184	12.7	216	41.3	96.21
CTC-9W6671	210	182	19	184	12.7	216	41.3	96.21
CTC-5K5288	156.9	142.7	12.7	142.5	6.2	160.5	26.2	71.61
CTC-5K5126	156.9	142.7	12.7	142.5	6.2	160.5	26.2	66.31
CTC-9W6645	156.9	142.7	12.7	142.5	6.2	160.5	26.2	66.31
CTC-6Y0859	251.4	223.5	22.2	225	12.7	256	48	151.07
CTC-6Y0860	251.4	223.5	22.2	225	12.7	256	48	139.88
CTC-9G5317	251.4	223.5	19	225	12.7	257	42.3	134.27
CTC-5M8647	251.4	223.5	19	225	12.7	257	42.3	124.33
CTC-9W6684	251.4	223.5	19	225	12.7	257	42.3	124.33
CTC-9W2201	119.1	100	16	102	9.3	123.8	34.7	34.02
CTC-9W7225	119.1	100	16	102	9.3	123.8	34.7	31.49
CTC-4K6049	172	146	19	147.3	12.7	177.2	41	76.09
CTC-8P1848	210	182	23	184	12.7	215.4	51	120.86
CTC-1141497	328	295	20	304	12.5	332	42	171.23
CTC-9W7232	70.5	54.5	31.5	61.4	5.8	73.5	31.5	40.29
CTC-1744874	328	303	19	305	12.7	334	40	242.71
CTC-1275834	210	182	19	184	12.7	216	41.3	103.91
CTC-9W6675	172	146	19	147.3	12.7	177.2	41	116.39



CATERPILLAR®

REPLACEMENT KITS FOR CATERPILLAR TOWMOTOR LIFT TRUCKS

NOTE: If you can locate the cylinder group number, it can aid in identifying the proper kit.

Kit Number	Code (Pg. 14)	Rode X Bore Size	List Price
TM-1033947	I-U-10	40 X 90 mm	\$116.39
TM-1040763	P-U-1	70 mm	91.47
TM-1040900	I-U-10	37 X 71 mm	62.72
TM-1040948	P-U-1	35 mm	46.54
TM-1041095	P-U-1	40 x 50 mm	154.64
TM-1042519	P-U-1	85 X 100 mm	103.16
TM-1042609	P-U-4	45 X 55 mm	110.36
TM-1146727	P-U-14	50 X 110 mm	168.93
TM-206398	RETAINER RING		1.25
TM-324908	I-V-8	2 X 4.525	101.67
TM-375427	I-U-11	1 X 2-1/2	27.61
TM-376968	I-U-1	2-1/2 Rod	54.03
TM-388594-6	P-UB-10	1-1/2 X 3-1/2	65.88
TM-396743	I-P-N-8	3 X 4.025	145.88
TM-396744	I,P-U-8	2-1/2 X 3.525	65.46
TM-396746	I,P-U-1	2-1/4, 3-1/4, 4-1/8 Stages	224.64
TM-396747	P-U-8	3 X 3.525	89.90
TM-396748	I-U-8	3 X 4.025	83.05
TM-396749	P-U-1	3-1/8, 4-3/8, 5 Stages	381.83
TM-396750	P-U-1	2-3/16 X 2-1/2	76.90
TM-396751	P-U-8	3-3/4 X 5.025	138.26
TM-396752	I-U-8	2-5/8 X 3.025	99.18
TM-396754	I-U-8	2-1/2 X 3.025	65.15
TM-396755	I-U-8	3 X 3.525	79.03
TM-396756	I-P-1-8	3 X 4.025	120.32
TM-396757	P-U-1	2-3/8, 4-3/8, 5-3/4 Stages	356.29
TM-396758	I-P-U-1	1-7/8, 2-3/4, 3-5/8 Stages	194.75
TM-396759	I-V-1	2.700, 3.450, 5.700 Stgs.	244.18
TM-396760	I-V-1	2.200, 2.950, 4.700 Stgs.	189.90
TM-396761	I,P-N-8	3 X 5.025	166.08
TM-396801	P-U-1	3-3/8, 4-3/8, 5 Stages	423.24
TM-396842	P-UB-10	1-1/2 X 3-1/2	63.73
TM-396843	P-U-11	1-1/2 X 3-1/2	48.56
TM-396844	P-UB-11	1-1/2 X 3-1/2	50.89
TM-396845	I-U-11	1-1/4 X 3	37.91
TM-396846	P-UB-10	2 X 4-1/2	143.32
TM-396847	I-V-8	2 X 4.525	93.26

Kit Number	Code (Pg. 14)	Rode X Bore Size	List Price
TM-396848	P-UB-11	1-1/4 X 3	\$67.65
TM-396849	I-V-8	2 X 5.025	107.12
TM-659060	O-RINGS		11.40
TM-690003	I-U-5	2 X 5	164.38
TM-691389	I-OB-3	1-1/2 X 2-1/2	35.42
TM-693683	O-RINGS		13.62
TM-694526	I-UB-5	2 X 5	157.52
TM-694527	I-UB-5	2-1/2 X 6	174.17
TM-694528	I-U-4,10	2 X 4-1/2	106.90
TM-695522	I-UB-5	1-1/4 X 3-1/2	113.11
TM-695523	I-UB-5	1-1/2 X 4	135.01
TM-901523	I-U-1	2-1/2, 3-1/4, 4 Stages	247.16
TM-905761	P-U-1	3-1/8, 4-3/8 Stages	321.83
TM-905771	P-U-1	2-3/8, 4-3/8 Stages	260.65
TM-905961	VALVE KIT		18.35
TM-905962	VALVE KIT		8.60
TM-906496	I-U-10	3 X 4	87.84
TM-911700	I-U-1	75 mm Rod Kit	73.37
TM-911701	I-U-1	50 mm Rod Kit	78.02
TM-911725	I-N-10	25 X 50 mm	75.78
TM-911726	I-U-10	35 X 80 mm	94.10
TM-911956	P-U-1	1-5/8 Rod Kit	37.14
TM-912067	P-UB-10	1-1/4 X 3	50.54
TM-912711	P-U-1	2-3/8 Rod Kit	57.72
TM-912748	P-U-1	2-3/8 Rod Kit	57.89
TM-914206	P-UB-10	2 X 4-1/2	106.43
TM-914634	I-U-1	3-3/4" Rod	64.27
TM-914635	I-U-10	2 X 2-1/2	111.32
TM-914636	N-U-10	4 X 4-1/2	167.00
TM-917170	U-SEAL	4-3/8	46.92
TM-917174	U-SEAL	2-1/4	12.66
TM-917175	U-SEAL	3-1/4	17.53
TM-917177	U-SEAL	2-3/4	15.12
TM-918024	P-U-4	150 X 180 mm	594.30
TM-919851	P-U-15	120 X 180 mm	1012.17
TM-920666	I-U-1	50 mm Rod Kit	63.82
TM-923282	I-U-10	2 X 2-1/2	176.39

CHAMPION MOTOR GRADER

Kit Number	Code (Pg. 14)	Rode X Bore Size	List Price
CHMP-26408	I-U-5	1-3/8 X 3	\$78.29
CHMP-26409	I-U-5	2 X 4	112.92
CHMP-26410	I-U-5	2 X 5	152.71

CHAR-LYNN SEAL KITS

CHAR-LYNN Model Identification

XXX - XXX - XXX
 Product - Product - Engineering
 Line Identification Change Code

OEM Kit Number	Series	Description	Model Number	List Price
CHR-6405	10,000 Note: The -002 and -003 bearingless motors use 4 seals while the -004 motor uses 3 seals. Note: This kit is not applicable to 10,000 series two speed motors.	Motor Seal Kit	119-XXXX-002;-003;-004 120-XXXX-002;-003;-004 121-XXXX-002;-003;-004	\$178.44
CHR-6406	10,000 Note: Applicable to 10,000 series two speed motors.	Shaft Seal Kit	119-XXXX-001;-002;-003;-004 120-XXXX-002;-003;-004	192.29
CHR-60023	H A	Buna N Seal Kit	101-XXXX-007 130-XXXX-001	156.75
CHR-60026	S	Buna N Seal Kit	103-XXXX-007	156.67
CHR-60036	H	Buna N Seal Kit	101-XXXX-005	122.68
CHR-60042	S	Buna N Seal Kit	103-XXXX-006	157.95
CHR-60533	S	Buna N Seal Kit	103-XXXX-008	150.82
CHR-60539	S	Buna N Seal Kit	103-XXXX-009;-010	180.06
CHR-60540	A H	Buna N Seal Kit	130-XXXX-002;-003 101-XXXX-008;-009	171.97
CHR-61104	6000	Shaft Seal Kit	112-XXXX-002;-003;-004 113-XXXX-002;-003;-004	314.68
CHR-61105	6000	Rear Motor Kit	112-XXXX-002;-003;-004 113-XXXX-002;-003;-004	105.50
CHR-61234	4000	Rear Motor Kit	109-XXXX-004; 110-XXXX-004	106.00
	4000	Motor Seal Kit	109-XXXX-004; 110-XXXX-004	
CHR-61236	4000	Shaft Seal Kit	109-XXXX-004; 110-XXXX-004	167.92
CHR-61237	6000	Shaft Seal Kit	112-XXXX-005; -006; 113-XXXX-005; -006	166.99
CHR-61238	6000	Rear Motor Kit	112-XXXX-005; -006; 113-XXXX-005; -006	130.84
CHR-61252	2000 Note: Not for 106- Bearingless motors.	Buna N Seal Kit	104-XXXX-003;-004;-005 105-XXXX-003;-004;-005	241.14
CHR-61258	2000	Buna N Seal Kit	104-XXXX-006; 105-XXXX-006	249.00
CHR-61259	2000 Note: Does not fit 106-XXXX-003;-004;-005 motors	Buna N Seal Kit	106-XXXX-006	117.73
CHR-61281	4000	Shaft Seal Kit	109-XXXX-006; 110-XXXX-006; 111-XXXX-006	272.57
CHR-64417	Steering unit with external shaft	Buna N Seal Kit		95.93
CHR-64418	Steering unit with internal spline	Buna N Seal Kit		183.53

Hercules Brand Kit Number	List Price
CHR-6405-HSP	\$89.32
CHR-6406-HSP	49.72
CHR-60023-HSP	93.02
CHR-60026-HSP	69.98
CHR-60036-HSP	40.77
CHR-60042-HSP	96.41
CHR-60533-HSP	60.13
CHR-60539-HSP	80.96
CHR-60540-HSP	74.71
CHR-61104-HSP	115.33
CHR-61105-HSP	68.71
CHR-61234-HSP	63.79
CHR-61235-HSP	76.94
CHR-61236-HSP	100.59
CHR-61237-HSP	101.80
CHR-61238-HSP	91.59
CHR-61252-HSP	144.83
CHR-61258-HSP	145.40
CHR-61259-HSP	62.66
CHR-61281-HSP	114.76
CHR-64417-HSP	35.38
CHR-64418-HSP	34.84

CHIEF CYLINDERS

Repair parts for Chief Cylinders are available online at www.HerculesUS.com or by contacting the Hercules Sales Team at the information provided below.

CLARK LIFT TRUCKS

NOTE: A CLARK deck number can positively identify the kit needed for lift cylinders. Looking at the upright (lift mechanism) from the driver's seat, the deck number is stamped on the right outer channel.

SAMPLE: MO141, HO351, FO168, etc.

ALSO NOTE: Kits with an "E" suffix contain original equipment u-seals. Kits without "E" suffix contain Hercules Sealing Products designed seals.

Kit Number	Code (Pg. 14)	Rod X Bore Size	List Price	Kit Number	Code (Pg. 14)	Rod X Bore Size	List Price
CLK-1795529	I-U-5	1-1/2 X 4	\$ 101.87	CLK-1811179	I-V-5	1-1/2 X 4	\$ 250.69
CLK-1810820	O-RINGS		17.82	CLK-1811180	I-V-5	1-1/4 X 4	236.44
CLK-1811046	I-U-10	1-1/4 X 3	42.67	CLK-1811184	I-V-5	1-1/4 X 3	217.21
CLK-1811107	I-N-4	2 X 2-1/4	44.22	CLK-1811200	I-V-4	2 X 6	249.85
CLK-1811108	I-N-4	2-1/4 X 2-1/2	34.20	CLK-1811200-E	I-V-4	2 X 6	468.81
CLK-1811120		1-3/4, 3-1/8 VID, 3-7/8, 5-1/4 UID	247.44	CLK-1811204	I-V-1	1-1/4 ROD	136.99
CLK-1811120-E		1-3/4, 3-1/8 VID, 3-7/8, 5-1/4 UID	401.58	CLK-1811206	I-V-5	3/4 X 1-5/8	111.08
CLK-1811122		2-1/8 VID, 3-7/8, 4-3/4, 6-1/2 UID	332.23	CLK-1811207	I-V-5	1 X 2	91.55
CLK-1811122-E		2-1/8 VID, 3-7/8, 4-3/4, 6-1/2 UID	462.46	CLK-1811209	I-V-5	1 X 2-1/4	103.22
CLK-1811123-E		3-1/4, 4-1/4 VID'S, 6-1/2 UID'S	487.58	CLK-1811210	I-V-5	1-1/4 X 2-3/4	127.85
CLK-1811124		2-1/8, 3-1/8 VID'S	143.71	CLK-1811212	I-V-5	1-1/4 X 3-1/4	133.12
CLK-1811125		2-1/8, 3-1/8, 4-1/2 VID'S	327.03	CLK-1811217	I-V-5	1-3/4 X 4-1/2	101.10
CLK-1811126		2-3/4, 3-3/4, 5-3/4 VID'S	346.36	CLK-1811218	I-V-5	2 X 6	387.58
CLK-1811127		2-3/4, 3-3/4, 5-3/4 VID'S	354.38	CLK-1811231	N-N-5	2.26" Piston Kit	68.71
CLK-1811129	I-N-4	2-1/2 X 4	71.72	CLK-1811244	I-U-10	1-1/8 X 2-1/4	44.48
CLK-1811130		1-3/4, 2-5/8, 3-3/4 VID'S	206.90	CLK-1811275	I-V-5	1-1/2 X 4	104.45
CLK-1811131		1-3/4, 3-1/8 VID, 3-7/8, 5-1/4 UID	265.12	CLK-1811309	I-U-10	1 X 3	23.79
CLK-1811131-E		1-3/4, 3-1/8 VID, 3-7/8, 5-1/4 UID	361.76	CLK-1811314		1-3/4 VID, 3-1/8, 3-7/8, 5-1/4 UID	219.37
CLK-1811132		1-3/4, 2-5/8 VID, 3-3/8, 4-1/2 UID	188.63	CLK-1811314-E		1-3/4 VID, 3-1/8, 3-7/8, 5-1/4 UID	313.61
CLK-1811132-E		1-3/4, 2-5/8 VID, 3-3/8, 4-1/2 UID	294.32	CLK-1811315		1-3/4 VID, 3-1/8, 3-7/8, 5-1/4 UID	249.95
CLK-1811133		1-3/4, 2-5/8 VID'S	98.04	CLK-1811315-E		1-3/4 VID, 3-1/8, 3-7/8, 5-1/4 UID	318.17
CLK-1811142		1-3/4, 2-5/8, 3-3/4 VID'S	513.76	CLK-1811327		2-1/8 VID, 3-7/8, 4-3/4, 6-1/2 UID	293.08
CLK-1811148		2-1/8 VID, 3-7/8, 4-3/4, 6-1/2 UID	348.45	CLK-1811327-E		2-1/8 VID, 3-7/8, 4-3/4, 6-1/2 UID	461.94
CLK-1811148-E		2-1/8 VID, 3-7/8, 4-3/4, 6-1/2 UID	464.02	CLK-1811369	P-U-4	60 mm X 73 mm	110.39
CLK-1811149	I-U-4	3-1/2 X 4-3/4	159.82	CLK-1811376	I-U-10	40 mm X 4"	82.64
CLK-1811154	I-U-1	2-1/2 X 3-1/4	46.30	CLK-1811392	P-U-10	1-3/4 X 3	107.52
CLK-1811155	I-N-4	2-1/2 X 3	43.71	CLK-1811393	I-U-10	40 mm X 4"	91.44
CLK-1811157	I-U-5	5 X 7	294.82	CLK-1811415	P-U-4	60 X 78 mm	117.62
CLK-1811158	I-U-5	4-1/2 X 6	227.48	CLK-1811537	P-U-1	60 mm	115.06
CLK-1811158-E	I-U-5	4-1/2 X 6	276.22	CLK-1811538	I-U-4	40 X 56 mm	97.70
CLK-1811159		1-3/4, 3-1/8 VID, 3-7/8, 5-1/4 UID	250.30	CLK-1811542	I-U-10	1-3/8 X 3	53.46
CLK-1811159-E		1-3/4, 3-1/8 VID, 3-7/8, 5-1/4 UID	363.23	CLK-1811544	I-U-10	1 X 2	88.86
CLK-1811160		1-3/4, 2-5/8 VID, 3-3/8, 4-1/2 UID	187.27	CLK-1811569	P-U-10	2 X 3-3/8	81.08
CLK-1811160-E		1-3/4, 2-5/8 VID, 3-3/8, 4-1/2 UID	294.32	CLK-1811582	I-U-10	1-1/4 X 3-1/2	49.34
CLK-1811161		1-3/4, 3-1/8 VID, 3-7/8, 5-1/4 UID	252.21	CLK-1811691	P-U-1	2 X 2.450	56.32
CLK-1811161-E		1-3/4, 3-1/8 VID, 3-7/8, 5-1/4 UID	351.60	CLK-1811697	I-U-10	1-1/4 X 3-1/2	51.91
CLK-1811162		2-1/8, 3-1/8, 4-1/2 UID'S	268.27	CLK-1811719	I-U-10	40 mm X 3-1/2	58.96
CLK-1811163		2-1/8, 3-1/8, 4-1/2 VID'S	330.93	CLK-1811759	I-U-10	1-1/4 X 3	51.00
CLK-1811164		1-3/4, 2-5/8, 3-3/8, 4-5/8 UID'S	167.27	CLK-1811785	I-U-10	40 mm x 3-1/2	68.96
CLK-1811164-E		1-3/4, 2-5/8, 3-3/8, 4-5/8 UID'S	327.14	CLK-1811799	I-U-10	2 X 3-3/8	130.59

CLARK LIFT TRUCKS

CLARK

Kit Number	Code (Pg. 14)	Rod X Bore Size	List Price
CLK-1811820	I-U-10	2 X 3	\$ 51.84
CLK-1811828	I-U-10	2 X 3	45.80
CLK-1811852	I-U-1	3 X 3-1/2	101.78
CLK-1811855	P-U-1	60 mm X 72 mm	70.95
CLK-1811972	I-U-10	1-1/4 X 3	64.84
CLK-1813014	P-U-1	2 X 2-1/2	51.94
CLK-1813015	I-U-1	2-5/8 Rod Kit	113.83
CLK-1813016	I-U-1	3 X 3-1/2	90.20
CLK-1813017	P-U-1	60mm X 72 mm	70.95
CLK-1813023	I-U-1	40 mm X 2-3/16"	68.25
CLK-1813024	I-U-1	40 mm Rod Kit	34.06
CLK-1813032	I-U-10	50 mm X 3-3/8"	108.92
CLK-1813055	I-U-10	50 mm X 3-1/8"	113.11
CLK-1813075	I-U-10	40 mm X 3-1/2"	67.46
CLK-1813076	I-U-10	40 mm X 4"	72.08
CLK-1813082	I-U-10	50 X 86 mm	99.70
CLK-1813084	I-U-1	50 mm Rod Kit	39.15
CLK-1813176	I-U-4	60 X 73 mm	122.58
CLK-1818816	P-U-10	3/4 X 1-3/4	43.71
CLK-1818864	P-U-10	3/4 X 2	32.44
CLK-1821328	I-U-10	7/8 X 2	22.76
CLK-1830350	I-N-4	2 X 2-1/4	47.80
CLK-1830352	I-N-4	3-1/4 X 4	72.31
CLK-1830358	I-N-4	2-1/2 X 3-1/4	85.36
CLK-1830360	I-N-4	2-1/2 X 3	48.67
CLK-1830361	I-N-4	2-1/4 X 2-1/2	54.97
CLK-1830649	I-U-10	3/4 X 2-3/4	52.98
CLK-1831042	N-V-1	1-1/4" Rod Kit	16.25
CLK-1831074	I-U-10	1-3/4 X 4-1/2	70.32
CLK-1831075	I-V-1	3-1/4 Rod Kit	70.10
CLK-1831076	I-U-10	1-1/8 X 2-1/2	44.22
CLK-1991085	P-TR-10	2 X 4	66.47

Kit Number	Code (Pg. 14)	Rod X Bore Size	List Price
CLK-2367420	I-U-1	2-1/4 X 3-1/4	\$ 168.52
CLK-3009626	P-U-10	25 mm X 50 mm	111.93
CLK-3986876	MOTOR KIT		47.10
CLK-841270	P-U-10	2 X 3-3/4	57.45
CLK-886547	P-TR-12	1 X 2	78.98
CLK-896505	MOTOR KIT		11.75
CLK-905074	MOTOR KIT		25.98
CLK-907984	VALVE KIT		29.39
CLK-908985	VALVE KIT		28.06
CLK-912339	P-U-1	2-1/2 X 3	62.98
CLK-914698	I-U-4	1 X 2-1/2	44.55
CLK-914703	I-O-4	1-1/4 X 3	29.77
CLK-917282	O-RING KIT		12.89
CLK-917713	N-N-10	2" Piston Kit	36.07
CLK-918886	I-U-10	2 X 3-3/8	63.59
CLK-921115A	VALVE KIT		17.08
CLK-990076	VALVE KIT		7.19
CLK-990208	SWIVEL KIT		11.50
CLK-990209	SWIVEL KIT		17.19
CLK-992511	O-RING KIT		11.78
CLK-994287	VALVE KIT		20.33
CLK-995815	SWIVEL KIT		17.19
CLK-999820	P-U-10	3/4 X 1-3/4	56.61

**FOR CLARK-MICHIGAN CONSTRUCTION EQUIPMENT
SEE OUR LISTING OF KITS UNDER THE VOLVO SECTION IN THIS CATALOG**

U-SEALS

Part Number	Rod Dia.	List Price
CLK-2377669	48 mm	\$30.42
CLK-2791698	50 mm	21.44
CLK-2793753	40 mm	20.09
CLK-328300	1	11.33

PISTON U-SEALS

Part Number	Bore Dia.	List Price
CLK-1650143	2.266	\$22.14

O-RINGS

Part Number	Min Pkg Qty	List Price
CLK-1301093	20	\$0.71
CLK-2825250	1	8.93

BACK-UP RINGS

Part Number	Min Pkg Qty	List Price
CLK-994384	2	\$3.39

WIPERS

Part Number	Rod Dia.	List Price
CLK-1657085	1-1/4	\$4.29

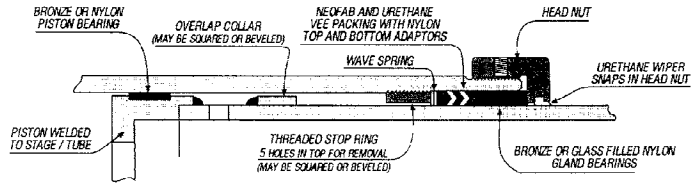
VEE SETS

Part Number	Rod Dia.	List Price
CLK-1665683	1-1/4	\$36.55

COMMERCIAL HYDRAULICS

- PACKING:** Vee packing with nylon top and bottom adaptors. 5/16" cross section.
- WIPERS:** .190 shoulder thickness on wipers.
- BEARINGS:** One above packing - may be either bronze or nylon.
- PISTON:** Welded to stage. Single action uses single nylon wear ring. Double action uses 3 cast iron piston rings and 2 nylon wear rings.
- STAGE O.D.'s:** 2.750; 3.750; 4.750; 5.750; 6.750; 7.905; 9.375
- SPECIAL INFO.:** Threaded internal stop ring. Uses wave spring under vee packing.
- IDENTIFICATION:** Cylinder number stamped on metal tag on cylinder body.
Ex: SD85MC-15-220 double acting
S85DC-40-190 single acting

COMMERCIAL



CYLINDER REBUILD KITS SINGLE ACTING DUMP BODY CYLINDERS		
Kit includes: Wiper Rings, Packing Assemblies, Bearing Rings, Piston Bearings, Wave Springs, Set Screws & Nylon Balls		
Part Number	Cyl. Model Number	List Price
CM-375-1804-017	S53	\$269.59
CM-375-1804-020	S62	246.62
CM-375-1804-018	S63	335.86
CM-375-1804-021	S64	405.24
CM-375-1804-019	S73	424.53
CM-375-1804-022	S74	554.18
CM-375-1804-023	S84	640.20
CM-375-1804-024	S85	757.99
CM-375-1804-025	S95	1097.73

CYLINDER REPACK KITS SINGLE ACTING DUMP BODY CYLINDERS		
Kit includes: Wiper Rings, Packing Assemblies		
Part Number	Cyl. Model Number	List Price
CM-391-1804-020	S53	\$116.37
CM-375-1804-026	S62	143.46
CM-391-1804-109	S63	147.32
CM-391-1804-237	S64	195.84
CM-375-1804-002	S73	197.79
CM-375-1804-003	S74	236.06
CM-391-1804-054	S84	376.85
CM-391-1804-060	S85	330.39
CM-375-1804-004	S95	627.96

Part Number	Description	List Price
PACKING & WIPERS		
CM-3VSW	2-3/4" Vee Set & Wiper	\$42.57
CM-4VSW	3-3/4" Vee Set & Wiper	64.84
CM-5VSW	4-3/4" Vee Set & Wiper	54.73
CM-6VSW	5-3/4" Vee Set & Wiper	69.75
CM-7VSW	6-3/4" Vee Set & Wiper	101.32
CM-8VSW	7.905" Vee Set & Wiper	107.75
CM-9.37VSW	9-3/8" Vee Set & Wiper	222.45

Part Number	Description	List Price
GLAND BEARINGS		
CM-275NB	2-3/4" Gland Bearing	\$28.37
CM-375NB	3-3/4" Gland Bearing	28.41
CM-475NB	4-3/4" Gland Bearing	43.56
CM-575NB	5-3/4" Gland Bearing	50.11
CM-675NB	6-3/4" Gland Bearing	52.60
CM-790NB	7.905" Gland Bearing	79.30
CM-937NB	9-3/8" Gland Bearing	172.36
GLAND BEARINGS KITS		
CM-NYB35	2-3/4" - 4-3/4" Gland Bearings	\$91.06
CM-NYB46	3-3/4" - 5-3/4" Gland Bearings	110.79
CM-NYB47	3-3/4" - 6-3/4" Gland Bearings	159.77
CM-NYB48	3-3/4" - 7.905" Gland Bearings	233.54
CM-NYB49	3-3/4" - 9-3/8" Gland Bearings	513.11
CM-NYB57	4-3/4" - 6-3/4" Gland Bearings	134.02
CM-NYB58	4-3/4" - 7.905" Gland Bearings	212.71
PISTON BEARINGS		
CM-391-2684-123	2-3/4" Piston Bearing	\$7.03
CM-391-2684-069	3-3/4" Piston Bearing	10.49
CM-391-2684-070	4-3/4" Piston Bearing	10.61
CM-391-2684-071	5-3/4" Piston Bearing	12.00
CM-391-2684-072	6-3/4" Piston Bearing	13.74
CM-391-2684-098	9-3/8" Piston Bearing	32.94
NYLON PISTON BEARINGS		
CM-U3023-32	2-3/4" Piston Bearing	\$7.16
CM-U3023-42	3-3/4" Piston Bearing	10.69
CM-U3023-52	4-3/4" Piston Bearing	10.82
CM-U3023-62	5-3/4" Piston Bearing	12.23
CM-U3023-72	6-3/4" Piston Bearing	14.01
CM-U3023-84	7.905" Piston Bearing	29.88
CM-U3023-98	9-3/8" Piston Bearing	33.59
CM-X29-1	Bleeder Valve	7.17
BRONZE PISTON BEARINGS		
CM-375-9023-038	4-3/4" Bronze Piston Bearings	\$123.67
CM-U3023-52B	4-3/4" Bronze Piston Bearings	126.10
CM-375-9023-039	5-3/4" Bronze Piston Bearings	138.54
CM-U3023-62B	5-3/4" Bronze Piston Bearings	141.25

COMMERCIAL HYDRAULICS

Part Number	Description	List Price
BRONZE PISTON BEARINGS		
CM-375-9023-040	6-3/4" Bronze Piston Bearings	\$144.48
CM-U3023-72B	6-3/4" Bronze Piston Bearings	147.31
CM-375-9023-041	7.905" Bronze Piston Bearings	168.96
CM-U3023-84B	7.905" Bronze Piston Bearings	172.28
CM-375-9023-042	9-3/8" Bronze Piston Bearings	427.70
CM-U3023-98B	9-3/8" Bronze Piston Bearings	436.09
PISTON RINGS (Double Acting)		
CM-X78-4-25	3-3/4" Piston Ring	\$17.06
CM-X78-5-25	4-3/4" Piston Ring	22.46
CM-X78-6-25	5-3/4" Piston Ring	26.50
CM-X78-7-25	6-3/4" Piston Ring	39.26
CM-X78-8-437	7.905" Piston Ring	54.52
CM-X78-9-88	9-3/8" Piston Ring	114.95
KITS		
CM-35	2-3/4" - 4-3/4" Vee Sets & Wipers	\$116.37
CM-36	2-3/4" - 5-3/4" Vee Sets & Wipers	195.84
CM-38	2-3/4" - 7.905" Vee Sets & Wipers	360.48
CM-46	3-3/4" - 5-3/4" Vee Sets & Wipers	147.32
CM-47	3-3/4"-6-3/4" Vee Sets & Wipers	236.06
CM-48	3-3/4"-7.905" Vee Sets & Wipers	330.39
CM-49	3-3/4"-9-3/8" Vee Sets & Wipers	690.90
CM-56	4-3/4 - 5-3/4" Vee Sets & Wipers	143.46
CM-57	4-3/4"-6-3/4" Vee Sets & Wipers	197.79
CM-58	4-3/4"-7.905" Vee Sets & Wipers	376.85
CM-59	5"-9" Vee Sets & Wipers	627.96
CM-69	5-3/4"-9-3/8" Vee Sets & Wipers	490.39
CM-NPB35	2-3/4"-4-3/4" Piston Bearings	34.89
CM-NPB36	2-3/4"-5-3/4" Piston Bearings	98.80
CM-NPB46	3-3/4"-5-3/4" Piston Bearing	82.16
CM-NPB47	3-3/4"-6-3/4" Piston Bearings	58.16
CM-NPB48	3-3/4"-7.905" Piston Bearings	156.35
CM-NPB57	4-3/4"-6-3/4" Piston Bearings	45.12
CM-NPB58	4-3/4"-7.905" Piston Bearings	130.27
CM-NYB35	2-3/4"-4-3/4" Gland Bearings	91.06
CM-NYB36	2-3/4"-5-3/4" Gland Bearings	139.76
CM-NYB47	3-3/4"-6-3/4" Gland Bearings	159.77
CM-NYB48	3-3/4"-7.905" Gland Bearings	233.54
CM-NYB57	4-3/4"-6-3/4" Gland Bearings	134.02
CM-NYB58	4-3/4"-7.905" Gland Bearings	212.71
CM-NYB69	5-3/4"-9-3/8" Gland Bearings	254.17
CM-PR48	3-3/4"-7.905" Piston Rings	597.35
CM-PR58	4-3/4"-7.905" Piston Rings	522.42
CM-375-1805-062	2-3/4,3-3/4,4-3/4	536.57
THREADED STOPS		
CM-F3020	3-3/4" Threaded Stop Ring	\$519.30
CM-F4020	2-3/4" Threaded Stop Ring	155.10
CM-F5020	5-3/4" Threaded Stop Ring	229.58
CM-F6020	4-3/4" Threaded Stop Ring	249.12

Part Number	Description	List Price
THREADED STOPS		
CM-F7020	6-3/4" Threaded Stop Ring	\$276.13
CM-F9020	9-3/8" Threaded Stop Ring	929.16
CM-G8020	7.905" Threaded Stop Ring	335.96
HEAD NUTS (MEASURED AT WIPER I.D.)		
CM-MA3011-37	3-3/4" Bronze Internal Head Nut	\$258.03
CM-MA3011-47	4-3/4" Bronze Internal Head Nut	335.53
CM-MA3011-57	5-3/4" Bronze Internal Head Nut	496.57
CM-MA3011-67	6-3/4" Bronze Internal Head Nut	685.69
CM-MA3011-79	7.905" Bronze Internal Head Nut	820.36
CM-MA3011-93	9-3/8" Bronze Internal Head Nut	912.01
CM-391-1470-162	2-3/4" Steel External Head Nut	119.60
CM-YA3011-27	2-3/4" Steel External Head Nut	141.01
CM-391-1470-163	3-3/4" Steel External Head Nut	206.95
CM-YA3011-37	3-3/4" Steel External Head Nut	210.86
CM-391-1470-164	4-3/4" Steel External Head Nut	217.51
CM-YA3011-47	4-3/4" Steel External Head Nut	217.51
CM-391-1470-165	5-3/4" Steel External Head Nut	262.52
CM-YA3011-57	5-3/4" Steel External Head Nut	267.47
CM-391-1470-166	6-3/4" Steel External Head Nut	347.22
CM-YA3011-67	6-3/4" Steel External Head Nut	347.22
CM-YA3011-79	7.905" Steel External Head Nut	554.64
CM-YA3011-93	9-3/8" Steel External Head Nut	1188.25
VALVE SERVICE KITS		
CM-391-1803-030	Valve Series A20 Service Kit	\$10.14
CM-391-1803-201	Valve Series A35 Service Kit	49.64
WAVE SPRINGS		
CM-P1327-27	2-3/4" Wave Spring	\$28.00
CM-391-3581-320	2-3/4" Wave Spring	27.46
CM-375-9327-003	3-1/8" Wave Spring	23.82
CM-P1327-37	3-3/4" Wave Spring	19.73
CM-391-3581-300	3-3/4" Wave Spring	19.35
CM-375-9327-008	4-1/8" Wave Spring	18.09
CM-P1327-47	4-3/4" Wave Spring	23.38
CM-391-3581-301	4-3/4" Wave Spring	22.93
CM-P1327-57	5-3/4" Wave Spring	23.57
CM-391-3581-302	5-3/4" Wave Spring	23.11
CM-P1327-67	6-3/4" Wave Spring	61.43
CM-391-3581-303	6-3/4" Wave Spring	60.25
CM-P1327-79	7.905" Wave Spring	92.72
CM-P1327-93	9-3/8" Wave Spring	340.57
CM-391-3581-310	9-3/8" Wave Spring	334.02
MISCELLANEOUS		
CM-391-1281-005	Grease Fitting 1/8 NPT	\$2.06
CM-375-2686-010	Lock Wire	18.33
CM-391-1431-121	Set Screw	1.38
CM-391-1431-141	Set Screw	1.72
CM-391-0284-004	Nylon Ball	2.21

REPLACEMENT PARTS FOR COMMERCIAL EQUIPMENT

NOTE: Commercial part numbers are used as a reference only. We do not imply that these kits are original REPLACEMENT PARTS.

BACK-UP RINGS

Part Number	Min. Pkgs.	List Price
CM-11218	10	\$1.24
CM-11224	10	1.35
CM-11228	10	1.44
CM-11232	10	1.63
CM-11236	10	1.78
CM-11252	1	4.71
CM-11322	10	1.24
CM-11326	10	1.44
CM-11330	10	1.44
CM-11334	10	1.51
CM-11336	10	1.63
CM-11338	10	1.74
CM-11339	10	1.83
CM-11342	5	2.13
CM-11343	5	2.38
CM-11346	5	3.14
CM-11347	5	3.27
CM-11350	5	3.70
CM-11351	1	4.14
CM-11354	1	4.44
CM-11355	1	4.71
CM-11358	1	5.34
CM-11359	1	5.62
CM-11364	1	6.30
CM-11368	1	6.30
CM-11425	3	3.70
CM-11429	1	4.80
CM-11433	1	5.37
CM-11439	1	6.26
CM-11443	1	8.77
CM-11448	1	15.90
CM-11450	1	17.25
CM-375-2681-031	1	6.82
CM-375-2681-041	10	1.78
CM-375-2681-042	5	4.45
CM-375-2681-049	1	5.37
CM-375-2681-050	5	3.77
CM-375-2681-056	1	6.97
CM-375-2681-063	5	2.34
CM-391-2681-016	25	0.47

BACK-UP RINGS

Part Number	Min. Pkgs.	List Price
CM-391-2681-040	1	\$6.80
CM-391-2681-041	10	1.78
CM-391-2681-064	1	4.83
CM-391-2681-068	1	6.15
CM-391-2681-070	1	6.20
CM-391-2681-074	1	8.17
CM-391-2681-075	1	8.23
CM-391-2681-081	1	9.89
CM-391-2681-090	1	10.60
CM-391-2681-261	1	6.23
CM-391-2681-303	10	0.66
CM-391-2681-320	10	0.75
CM-391-2681-326	10	1.01
CM-391-2681-330	5	2.49
CM-391-2681-331	5	3.19
CM-391-2681-354	5	3.08
CM-391-2681-389	1	9.94
CM-391-2681-409	25	0.59
CM-391-2681-410	25	0.65
CM-391-2681-413	5	2.33
CM-391-2681-419	1	6.23
CM-391-2681-420	5	3.05
CM-391-2681-436	10	1.32
CM-391-2681-450	10	2.06
CM-391-2681-551	1	9.97
CM-391-2681-572	5	2.84
CM-391-2681-574	25	0.57
CM-391-2681-576	5	2.66
CM-391-2681-578	10	2.06
CM-391-2681-639	25	0.66
CM-391-2691-001	10	0.86
CM-391-2691-002	10	0.93
CM-391-2691-008	10	1.36
CM-391-2691-016	10	2.06
CM-391-2691-028	5	3.85
CM-391-2691-034	1	5.11
CM-391-2691-040	1	6.80
CM-391-2691-043	1	8.29
CM-391-2881-450	10	2.06

BUFFER RINGS

Part Number	Rod Dia.	List Price
CM-260015	1-1/8	\$21.87
CM-375-9006-333	1-3/4	31.57
CM-26004	2	33.21
CM-375-9006-344	2	35.74
CM-26010	2-5/8	44.70
CM-375-9006-345	3	54.27
CM-26036	4	76.27
CM-375-9006-513	5	101.54
CM-375-9006-516	5	100.85
CM-375-9006-480	7	110.83

O-RINGS

Part Number	Min. Pkgs.	List Price
CM-10016	50	\$0.10
CM-10022	50	0.14
CM-10113	50	0.10
CM-10116	50	0.12
CM-10120	50	0.14
CM-10128	20	0.33
CM-10129	20	0.33
CM-10153	20	0.93
CM-10218	50	0.29
CM-10222	20	0.37
CM-10224	20	0.76
CM-10228	20	0.60
CM-10230	20	0.71
CM-10232	20	0.75
CM-10232U	2	16.96
CM-10236	20	0.93
CM-10242	10	1.12
CM-10246	10	1.59
CM-10252	10	1.83
CM-10254	5	2.15
CM-10322	20	0.42
CM-10326	20	0.46
CM-10330	20	0.79
CM-10334	20	1.02
CM-10336	10	1.20

REPLACEMENT PARTS FOR COMMERCIAL EQUIPMENT

NOTE: Commercial part numbers are used as a reference only. We do not imply that these kits are original REPLACEMENT PARTS.

O-RINGS

Part Number	Min. Pkgs.	List Price
CM-10338	10	\$1.25
CM-10339	10	1.38
CM-10342	10	1.63
CM-10343	10	1.68
CM-10346	10	1.83
CM-10347	10	1.83
CM-10350	5	2.15
CM-10351	5	2.15
CM-10354	5	2.49
CM-10355	5	2.78
CM-10358	5	3.06
CM-10359	5	3.06
CM-10364	5	3.74
CM-10368	5	3.89
CM-10425	5	2.33
CM-10429	5	2.62
CM-10433	5	3.02
CM-10439	5	3.89
CM-10443	1	4.81
CM-10448	1	5.76
CM-10450	1	6.97
CM-30337	10	1.83
CM-30345	7	2.10
CM-30349	6	2.46
CM-30427	3	3.95
CM-30431	3	3.95
CM-30434	3	4.02
CM-375-2881-025	1	5.98
CM-375-2881-033	5	5.46
CM-375-2881-038	10	1.83
CM-375-2881-039	5	4.35
CM-375-2881-043	1	4.33
CM-375-2881-044	5	3.79
CM-375-2881-047	1	6.16
CM-375-2881-048	5	1.83
CM-375-2881-051	5	2.49
CM-375-2881-052	5	2.87
CM-375-2881-056	1	6.51
CM-375-2884-002	5	2.35
CM-391-2811-371	10	2.84

O-RINGS

Part Number	Min. Pkgs.	List Price
CM-391-2881-001	30	\$0.51
CM-391-2881-002	30	0.51
CM-391-2881-003	20	0.58
CM-391-2881-004	20	0.58
CM-391-2881-005	20	0.68
CM-391-2881-006	15	0.75
CM-391-2881-007	15	0.80
CM-391-2881-008	15	2.05
CM-391-2881-009	15	0.94
CM-391-2881-010	15	0.94
CM-391-2881-012	10	1.09
CM-391-2881-013	10	1.15
CM-391-2881-014	10	1.22
CM-391-2881-015	10	1.25
CM-391-2881-016	5	1.92
CM-391-2881-017	5	2.34
CM-391-2881-018	5	2.46
CM-391-2881-019	4	2.67
CM-391-2881-020	3	2.67
CM-391-2881-021	4	3.03
CM-391-2881-022	2	4.21
CM-391-2881-023	5	1.73
CM-391-2881-024	5	1.83
CM-391-2881-025	5	2.04
CM-391-2881-027	10	1.27
CM-391-2881-028	4	2.34
CM-391-2881-029	5	2.46
CM-391-2881-030	3	2.46
CM-391-2881-031	3	2.67
CM-391-2881-032	3	2.84
CM-391-2881-033	3	3.00
CM-391-2881-034	3	3.31
CM-391-2881-035	3	3.49
CM-391-2881-036	3	3.86
CM-391-2881-037	3	4.18
CM-391-2881-038	3	4.69
CM-391-2881-039	3	5.17
CM-391-2881-040	2	5.48
CM-391-2881-041	2	5.75
CM-391-2881-042	2	6.26

O-RINGS

Part Number	Min. Pkgs.	List Price
CM-391-2881-043	2	\$7.63
CM-391-2881-044	2	7.95
CM-391-2881-046	1	9.91
CM-391-2881-048	1	11.16
CM-391-2881-049	1	11.69
CM-391-2881-050	1	12.37
CM-391-2881-051	1	13.76
CM-391-2881-052	1	15.12
CM-391-2881-053	1	16.88
CM-391-2881-054	1	18.75
CM-391-2881-055	1	20.63
CM-391-2881-056	1	28.29
CM-391-2881-095	50	0.48
CM-391-2881-096	50	0.29
CM-391-2881-100	20	0.37
CM-391-2881-102	50	0.26
CM-391-2881-113	20	0.98
CM-391-2881-114	10	1.12
CM-391-2881-117	10	1.83
CM-391-2881-124	20	0.46
CM-391-2881-140	50	0.29
CM-391-2881-142	20	0.76
CM-391-2881-146	10	1.77
CM-391-2881-153	5	2.33
CM-391-2881-154	10	1.59
CM-391-2881-165	5	3.06
CM-391-2881-167	10	1.20
CM-391-2881-172	20	0.33
CM-391-2881-187	1	5.29
CM-391-2881-189	1	5.76
CM-391-2881-197	50	0.36
CM-391-2881-215	50	0.26
CM-391-2881-230	5	2.98
CM-391-2881-232	20	1.02
CM-391-2881-237	20	1.02
CM-391-2881-263	1	20.63
CM-391-2881-280	5	3.74
CM-391-2881-321	50	0.14
CM-391-2881-322	50	0.14
CM-391-2881-323	50	0.14

REPLACEMENT PARTS FOR COMMERCIAL EQUIPMENT

NOTE: Commercial part numbers are used as a reference only. We do not imply that these kits are original REPLACEMENT PARTS.

O-RINGS

Part Number	Min. Pkgs.	List Price
CM-391-2881-324	50	\$0.14
CM-391-2881-325	50	0.14
CM-391-2881-326	50	0.14
CM-391-2881-327	50	0.15
CM-391-2881-328	50	0.15
CM-391-2881-329	50	0.19
CM-391-2881-330	50	0.19
CM-391-2881-331	50	0.19
CM-391-2881-332	50	0.19
CM-391-2881-333	50	0.22
CM-391-2881-334	50	0.39
CM-391-2881-335	50	0.39
CM-391-2881-336	50	0.42
CM-391-2881-337	50	0.43
CM-391-2881-338	50	0.43
CM-391-2881-339	50	0.48
CM-391-2881-340	50	0.48
CM-391-2881-342	20	0.58
CM-391-2881-343	20	0.61
CM-391-2881-344	20	0.66
CM-391-2881-345	20	0.66
CM-391-2881-346	20	0.75
CM-391-2881-347	20	0.97
CM-391-2881-348	20	0.97
CM-391-2881-349	20	1.02
CM-391-2881-350	20	1.09
CM-391-2881-351	20	1.30
CM-391-2881-352	20	1.38
CM-391-2881-353	10	1.45
CM-391-2881-356	10	1.80
CM-391-2881-357	10	1.97
CM-391-2881-358	10	10.53
CM-391-2881-359	10	2.13
CM-391-2881-360	10	2.34
CM-391-2881-361	10	2.46
CM-391-2881-362	50	0.15
CM-391-2881-363	50	0.15
CM-391-2881-364	5	4.65
CM-391-2881-365	1	5.71
CM-391-2881-366	1	9.15

O-RINGS

Part Number	Min. Pkgs.	List Price
CM-391-2881-367	1	\$10.47
CM-391-2881-368	10	2.06
CM-391-2881-369	10	2.13
CM-391-2881-370	5	2.88
CM-391-2881-372	5	4.45
CM-391-2881-373	5	5.48
CM-391-2881-374	1	6.98
CM-391-2881-379	1	7.03
CM-391-2881-380	1	7.69
CM-391-2881-381	1	8.10
CM-391-2881-382	1	8.63
CM-391-2881-383	1	8.97
CM-391-2881-384	1	11.88
CM-391-2881-386	1	21.63
CM-391-2881-387	1	22.38
CM-391-2881-394	3	4.60
CM-391-2881-406	1	10.04
CM-391-2881-407	5	3.30
CM-391-2881-410	1	21.03
CM-391-2881-411	10	2.67
CM-391-2881-425	1	12.93
CM-391-2881-443	50	0.32
CM-391-2881-451	20	1.09
CM-391-2881-452	1	16.59
CM-391-2881-454	50	0.14
CM-391-2881-474	1	27.28
CM-391-2881-475	1	30.45
CM-391-2881-476	20	0.97
CM-391-2881-480	20	0.54
CM-391-2881-481	10	1.34
CM-391-2881-486	5	2.05
CM-391-2881-487	2	3.89
CM-391-2881-498	20	0.58
CM-391-2881-499	20	0.71
CM-391-2881-601	2	7.01
CM-391-2881-602	2	8.56
CM-391-2881-603	10	1.25
CM-391-2881-610	5	2.09
CM-391-2881-612	3	2.78
CM-391-2881-620	2	4.92

O-RINGS

Part Number	Min. Pkgs.	List Price
CM-391-2881-632	50	\$0.32
CM-391-2881-634	50	0.17
CM-391-2881-649	10	1.38
CM-391-2881-699	2	6.58
CM-391-2881-700	1	10.98
CM-391-2881-701	1	44.71
CM-391-2881-702	1	58.71
CM-391-2881-705	5	4.89
CM-391-2881-708	2	4.97
CM-391-2881-714	1	29.94
CM-391-2881-715	1	36.83
CM-391-2881-716	1	19.30
CM-391-2881-719	40	0.51
CM-391-2881-726	1	10.19
CM-391-2881-728	10	1.45
CM-391-2881-731	1	6.56
CM-391-2881-732	10	2.01
CM-391-2881-733	1	10.29
CM-391-2881-734	1	11.37
CM-391-2881-735	20	0.91
CM-391-2881-760	5	3.41
CM-391-2881-761	10	1.69
CM-391-2881-762	1	6.51
CM-391-2881-763	20	1.18
CM-391-2881-764	5	3.03
CM-391-2881-765	20	0.97
CM-391-2881-766	10	2.81
CM-391-2881-772	10	1.48
CM-391-2881-777	10	1.73
CM-391-2881-783	20	1.09
CM-391-2881-785	50	0.37
CM-391-2881-792	50	0.19
CM-391-2881-793	50	0.15
CM-391-2881-795	50	0.37
CM-391-2881-796	50	0.37
CM-391-2881-822	50	0.12
CM-391-2881-839	50	0.17
CM-391-2882-230	10	2.53
CM-391-2882-236	50	0.17
CM-391-2882-328	20	0.93

REPLACEMENT PARTS FOR COMMERCIAL EQUIPMENT

NOTE: Commercial part numbers are used as a reference only. We do not imply that these kits are original REPLACEMENT PARTS.

O-RINGS

Part Number	Min. Pkgs.	List Price
CM-391-2884-003	12	\$1.09
CM-391-2884-029	3	5.01

PISTON RINGS

Part Number	Bore Dia.	List Price
CM-31150	1-1/2	\$10.01
CM-31201	2	15.14
CM-31202	2	14.65
CM-31203	2	18.28
CM-31251	2	14.21
CM-31252	2-1/2	14.21
CM-31302	3	14.78
CM-31303	3	15.33
CM-31304	3	15.43
CM-31321	3-1/4	14.78
CM-31322	3-1/4	14.78
CM-31323	3-1/4	14.96
CM-375-9078-024	3.49	15.52
CM-31351	3-1/2	15.52
CM-31352	3-1/2	15.52
CM-31353	3-1/2	15.52
CM-391-2681-637	3-1/2	15.52
CM-31375	3-3/4	15.99
CM-31403	3.99	27.06
CM-31402	4	15.54
CM-31404	4	16.13
CM-375-9078-025	4	15.54
CM-31423	4-1/4	17.06
CM-31452	4-1/2	17.06
CM-31453	4-1/2	17.61
CM-31454	4-1/2	17.42
CM-375-9078-026	4-1/2	17.06
CM-391-2681-636	4-1/2	17.61
CM-31475	4-3/4	17.46
CM-31502	5	17.97
CM-31503	5	17.97
CM-31504	5	27.71
CM-31512	5-1/8	25.98
CM-391-2683-019	5.26	22.46
CM-31552	5-1/2	24.27
CM-31553	5-1/2	24.27
CM-31554	5-1/2	24.27

PISTON RINGS

Part Number	Bore Dia.	List Price
CM-375-9078-016	5-1/2	\$24.27
CM-375-9078-027	5-1/2	24.27
CM-31575	5-3/4	35.27
CM-31603	6	24.52
CM-31604	6	24.52
CM-31624	6-1/4	38.45
CM-391-2683-024	6.26	26.50
CM-31653	6-1/2	28.07
CM-31654	6-1/2	28.07
CM-31703	7	32.33
CM-31704	7	44.23
CM-391-2683-029	7.26	39.26
CM-31705	7-1/2	48.60
CM-31803	8	49.19
CM-391-2683-034	8.42	54.52
CM-391-2683-042	9.88	114.95
CM-391-2683-037	10-1/2	224.55

PISTON SEALS

Part Number	Bore Dia.	List Price
CM-29112	1-1/8	\$8.46
CM-29128	1-1/4	6.99
CM-29137	1-3/8	11.80
CM-29138	1-3/8	9.47
CM-29150	1-1/2	7.28
CM-29176	1-3/4	10.99
CM-29200	2	7.88
CM-29201	2	12.27
CM-29202	2	12.27
CM-29225	2-1/4	8.18
CM-29226	2-1/4	13.04
CM-29227	2-1/4	13.74
CM-29250	2-1/2	8.28
CM-29251	2-1/2	13.65
CM-29252	2-1/2	13.85
CM-29252755	2-1/2	9.85
CM-375-9006-200	2-1/2	53.20
CM-29275	2-3/4	8.36
CM-29276	2-3/4	16.30
CM-29277	2-3/4	16.67
CM-375-9006-416	2.999	24.95
CM-29300	3	8.60

PISTON SEALS

Part Number	Bore Dia.	List Price
CM-29301	3	\$21.01
CM-29302	3	17.88
CM-29302755	3	12.45
CM-29303	3	21.96
CM-375-9006-329	3	21.96
CM-391-2683-061	3	21.96
CM-391-2881-748	3	14.25
CM-29324	3-1/4	26.10
CM-29325	3-1/4	8.74
CM-29326	3-1/4	22.14
CM-29327	3-1/4	21.21
CM-29327755	3-1/4	14.78
CM-29328	3-1/4	26.10
CM-29350	3-1/2	8.99
CM-29351	3-1/2	22.81
CM-29352	3-1/2	23.39
CM-29352755	3-1/2	15.01
CM-375-9006-245	3-1/2	28.76
CM-375-9006-334	3-1/2	139.26
CM-375-9006-417	3-1/2	20.25
CM-375-9006-458	3-1/2	24.99
CM-29375	3-3/4	9.75
CM-29376	3-3/4	22.93
CM-29377	3-3/4	26.57
CM-375-9006-172	3-3/4	32.65
CM-391-2882-329	3-3/4	20.52
CM-29400	4	9.91
CM-29401	4	23.43
CM-29402	4	29.54
CM-29402755	4	15.55
CM-29402CT	4	146.13
CM-29403	4	24.03
CM-29404	4	36.29
CM-375-9006-022	4	36.29
CM-375-9006-331	4	36.29
CM-375-9006-419	4	24.03
CM-391-2683-071	4	94.40
CM-29425	4-1/4	10.11
CM-29427	4-1/4	34.11
CM-391-2683-050	4-1/4	41.93
CM-391-2683-079	4-1/4	41.93
CM-375-9006-046	4.265	122.80
CM-29450	4-1/2	11.06
CM-29451	4-1/2	23.67
CM-29452	4-1/2	35.80
CM-29452755	4-1/2	16.16

REPLACEMENT PARTS FOR COMMERCIAL EQUIPMENT

NOTE: Commercial part numbers are used as a reference only. We do not imply that these kits are original REPLACEMENT PARTS.

PISTON SEALS

Part Number	Bore Dia.	List Price
CM-391-2683-055	4-1/2	\$44.02
CM-375-9006-256	4.627	77.01
CM-29475	4-3/4	17.21
CM-29476	4-3/4	28.84
CM-29477	4-3/4	36.90
CM-29500	5	12.35
CM-29501	5	29.34
CM-29502	5	38.65
CM-29502755	5	19.22
CM-29503	5	47.51
CM-375-9006-495	5	181.11
CM-391-2683-062	5	47.51
CM-375-9006-350	5.001	38.91
CM-375-9006-418	5.001	38.91
CM-29526	5-1/4	31.35
CM-29527	5-1/4	45.53
CM-29529	5-1/4	13.22
CM-391-2683-046	5-1/4	55.97
CM-29550	5-1/2	13.60
CM-29551	5-1/2	33.25
CM-29552	5-1/2	50.92
CM-29552755	5-1/2	27.04
CM-375-9006-211	5-1/2	120.86
CM-29575	5-3/4	14.46
CM-29576	5-3/4	40.68
CM-29577	5-3/4	54.99
CM-29600	6	15.18
CM-29601	6	46.17
CM-29602	6	59.03
CM-29602755	6	28.26
CM-29602CT	6	205.70
CM-391-2683-063	6	72.59
CM-29625	6-1/4	59.61
CM-29650	6-1/2	19.28
CM-29652	6-1/2	59.61
CM-375-9006-264	6-1/2	73.27
CM-29700	7	19.79
CM-29702	7	60.68
CM-29702755	7	29.58
CM-391-2683-080	7	74.60
CM-391-2683-044	7-1/4	74.69
CM-29752	7-1/2	60.85
CM-29800	8	20.12
CM-29802	8	67.80
CM-29802755	8	31.12
CM-391-2683-056	8	85.38

PISTON SEALS

Part Number	Bore Dia.	List Price
CM-29850	8-1/2	\$76.69
CM-29851	8-1/2	56.89
CM-375-9006-402	8-1/2	100.24
CM-29902	9	90.70
CM-29902755	9	72.56
CM-391-2683-048	9	115.29
CM-391-2683-057	9-1/2	121.33
CM-29010	10	100.95
CM-29010755	10	85.69
CM-29015	10-1/2	132.24
CM-391-2683-064	11	188.70
CM-375-9006-193	12	199.87

RETAINER RINGS

Part Number	List Price
CM-375-2685-002	\$11.72
CM-375-2686-009	8.34

ROD SEALS

Part Number	Rod Dia.	List Price
CM-391-2881-483	3/4	\$9.72
CM-391-2881-745	7/8	11.05
CM-391-2881-739	1	9.72
CM-391-2881-617	1-1/4	9.94
CM-22082-621	1-1/2	26.35
CM-391-2881-736	1-1/2	11.05
CM-391-2881-740	1-3/4	10.23
CM-22005-621	2	31.71
CM-391-2881-679	2	11.40
CM-22009-621	2-1/2	39.06
CM-391-2881-706	2-1/2	14.15
CM-391-2881-743	2-3/4	16.12
CM-22031-621	3	46.39
CM-391-2881-742	3	17.32
CM-391-2881-758	3	17.32
CM-391-2881-737	3-3/4	46.21
CM-391-2881-698	3-7/8	25.17
CM-22098-621	4	59.84
CM-375-9006-388	4	96.56
CM-391-2881-738	4	26.75

ROD SEALS

Part Number	Rod Dia.	List Price
CM-391-2881-741	4-1/4	\$35.70
CM-391-2881-744	5-1/4	53.34

U-SEALS

Part Number	Rod Dia.	List Price
CM-220004	3/4	\$6.55
CM-220005	3/4	7.03
CM-22001	3/4	7.60
CM-22016	7/8	7.28
CM-22017	7/8	7.27
CM-22202	7/8	8.06
CM-22002	1	8.10
CM-22066	1	8.10
CM-22074	1	7.59
CM-22224	1	8.10
CM-23011	1	6.74
CM-23086	1	6.80
CM-23223	1	7.46
CM-23224	1	6.80
CM-22010	1-1/8	11.56
CM-22014	1-1/8	6.81
CM-22020	1-1/8	8.46
CM-22220	1-1/8	7.91
CM-23226	1-1/8	11.90
CM-22003	1-1/4	8.05
CM-22216	1-1/4	9.47
CM-22217	1-1/4	9.01
CM-23096	1-1/4	7.81
CM-23097	1-1/4	7.53
CM-23098	1-1/4	7.23
CM-23228	1-1/4	7.81
CM-23229	1-1/4	7.78
CM-375-9006-028	1-1/4	8.52
CM-391-1982-903	1-1/4	9.47
CM-22021	1-3/8	9.21
CM-22022	1-3/8	10.88
CM-22045	1-3/8	9.80
CM-23231	1-3/8	8.25
CM-23406	1-3/8	10.21
CM-22059	1-1/2	8.89
CM-22065	1-1/2	9.33
CM-22082	1-1/2	10.76
CM-22221	1-1/2	8.25
CM-22227	1-1/2	10.76

REPLACEMENT PARTS FOR COMMERCIAL EQUIPMENT

NOTE: Commercial part numbers are used as a reference only. We do not imply that these kits are original REPLACEMENT PARTS.

U-SEALS

Part Number	Rod Dia.	List Price
CM-23105	1-1/2	\$9.07
CM-23106	1-1/2	9.04
CM-23233	1-1/2	8.82
CM-23234	1-1/2	8.82
CM-391-1982-905	1-1/2	10.76
CM-22056	1.062	6.70
CM-22006	1-5/8	8.81
CM-22083	1-5/8	11.72
CM-22205	1-5/8	10.44
CM-22230	1-5/8	11.72
CM-23109	1-5/8	9.19
CM-22004	1-3/4	14.51
CM-22042	1-3/4	11.77
CM-22204	1-3/4	10.58
CM-22231	1-3/4	10.58
CM-23112	1-3/4	9.51
CM-23114	1-3/4	9.33
CM-23141	1-3/4	11.34
CM-23238	1-3/4	10.04
CM-23239	1-3/4	13.17
CM-23414	1-3/4	11.34
CM-375-9006-087	1-3/4	10.58
CM-391-1982-900	1-3/4	11.77
CM-22102	1-7/8	15.15
CM-22005	2	12.88
CM-22049	2	11.77
CM-22073	2	9.33
CM-22076	2	11.74
CM-22203	2	9.33
CM-23118	2	10.68
CM-23119	2	9.94
CM-23246	2	11.26
CM-23247	2	10.99
CM-23248	2	10.45
CM-23249	2	10.12
CM-23920	2	10.99
CM-375-9006-411	2	22.72
CM-391-1982-899	2	12.88
CM-22222	2-1/8	9.65
CM-22007	2-1/4	10.30
CM-22064	2-1/4	14.46
CM-22078	2-1/4	17.41
CM-23253	2-1/4	12.66
CM-23427	2-1/4	15.59
CM-391-1982-890	2-1/4	14.46
CM-23432	2-3/8	15.15
CM-375-9006-174	2-3/8	14.26

U-SEALS

Part Number	Rod Dia.	List Price
CM-22009	2-1/2	\$15.92
CM-22025	2-1/2	14.24
CM-22026	2-1/2	25.74
CM-22050	2-1/2	14.14
CM-22060	2-1/2	10.61
CM-22061	2-1/2	15.92
CM-22079	2-1/2	14.14
CM-22207	2-1/2	18.54
CM-23134	2-1/2	12.34
CM-23259	2-1/2	14.29
CM-23260	2-1/2	14.03
CM-23433	2-1/2	16.16
CM-23576	2-1/2	19.95
CM-375-9006-173	2-1/2	14.14
CM-375-9006-432	2-1/2	15.97
CM-391-1982-891	2-1/2	18.54
CM-22028	2-5/8	10.61
CM-22029	2-5/8	16.60
CM-23136	2-5/8	12.92
CM-23578	2-5/8	22.60
CM-22030	2-3/4	15.40
CM-22100	2-3/4	17.39
CM-22101	2-3/4	15.40
CM-23264	2-3/4	15.12
CM-23581	2-3/4	23.21
CM-375-9006-088	2-3/4	15.40
CM-391-1982-902	2-3/4	20.13
CM-22215	2-7/8	21.73
CM-375-9006-154	2-7/8	16.49
CM-22011	3	21.78
CM-22031	3	18.78
CM-22032	3	16.60
CM-22044	3	31.99
CM-22047	3	30.56
CM-23268	3	15.84
CM-23269	3	15.30
CM-23446	3	27.83
CM-23586	3	25.59
CM-375-9006-092	3	17.10
CM-375-9006-108	3	30.56
CM-375-9006-238	3	18.78
CM-375-9006-343	3	30.46
CM-375-9006-430	3	40.70
CM-391-1982-909	3	21.78
CM-23149	3-1/8	14.68
CM-22068	3-1/4	20.23
CM-22081	3-1/4	20.23

U-SEALS

Part Number	Rod Dia.	List Price
CM-22210	3-1/4	\$21.10
CM-23273	3-1/4	17.53
CM-23274	3-1/4	16.33
CM-23593	3-1/4	26.01
CM-375-9006-431	3-1/4	17.53
CM-391-1982-892	3-1/4	24.45
CM-22012	3-1/2	34.76
CM-22051	3-1/2	34.76
CM-22072	3-1/2	26.41
CM-22085	3-1/2	21.67
CM-22096	3-1/2	19.91
CM-23279	3-1/2	18.62
CM-391-1982-120	3-1/2	26.41
CM-391-1982-910	3-1/2	20.41
CM-22018	3-5/8	15.40
CM-22069	3-5/8	37.57
CM-22089	3-5/8	36.00
CM-22095	3-5/8	37.57
CM-22041	3-3/4	35.31
CM-22228	3-3/4	28.11
CM-23286	3-3/4	19.33
CM-23604	3-3/4	35.27
CM-375-9006-319	3-3/4	36.96
CM-375-9006-349	3-3/4	36.96
CM-391-1982-894	3-3/4	35.31
CM-375-9006-043	3-7/8	29.23
CM-22034	4	28.60
CM-22053	4	18.39
CM-22055	4	24.95
CM-22098	4	24.95
CM-23291	4	19.73
CM-23292	4	20.97
CM-23293	4	20.49
CM-23294	4	26.57
CM-375-9006-019	4	24.95
CM-375-9006-054	4	39.22
CM-391-1982-904	4	28.60
CM-22035	4-1/4	29.86
CM-22048	4-1/4	29.86
CM-22209	4-1/4	41.07
CM-22219	4-1/4	30.06
CM-23616	4-1/4	35.77
CM-23617	4-1/4	34.04
CM-23618	4-1/4	35.77
CM-375-9006-257	4-1/4	19.04
CM-391-1982-893	4-1/4	30.06
CM-22036	4-1/2	43.13

REPLACEMENT PARTS FOR COMMERCIAL EQUIPMENT

NOTE: Commercial part numbers are used as a reference only. We do not imply that these kits are original REPLACEMENT PARTS.

U-SEALS

Part Number	Rod Dia.	List Price
CM-22088	4-1/2	\$29.58
CM-22214	4-1/2	32.58
CM-23304	4-1/2	24.45
CM-23306	4-1/2	24.45
CM-23621	4-1/2	48.90
CM-375-9006-096	4-1/2	32.58
CM-375-9006-145	4-1/2	29.58
CM-375-9006-403	4-1/2	69.64
CM-375-9006-407	4-1/2	43.20
CM-22058	4-5/8	31.46
CM-375-9006-182	4-5/8	34.98
CM-22052	4-3/4	32.49
CM-22218	4-3/4	36.29
CM-23630	4-3/4	37.22
CM-375-9006-246	4-3/4	28.95
CM-375-9006-280	4-3/4	45.07
CM-391-1982-895	4-3/4	36.29
CM-22037	5	34.23
CM-22087	5	55.56
CM-22094	5	39.09
CM-22290	5	39.09
CM-23318	5	49.14
CM-23320	5	49.14
CM-23670	5	55.46
CM-375-9006-434	5	47.34
CM-375-9006-457	5	41.33
CM-391-1982-908	5	39.09
CM-23638	5-1/4	40.35
CM-23639	5-1/4	41.67
CM-23640	5-1/4	42.35
CM-23493	5-3/8	38.15
CM-23494	5-3/8	37.22
CM-23495	5-3/8	34.56
CM-22038	5-1/2	39.95
CM-22039	5-1/2	38.80
CM-22040	5-1/2	51.13
CM-23330	5-1/2	42.41
CM-23331	5-1/2	42.41
CM-23645	5-1/2	43.22
CM-375-9006-316	5-1/2	38.80
CM-375-9006-450	5-1/2	51.13
CM-22091	5-3/4	43.50
CM-23658	5-3/4	43.09
CM-375-9006-281	5-3/4	55.33
CM-391-1982-896	5-3/4	47.39
CM-22054	6	40.57
CM-22070	6	54.70

U-SEALS

Part Number	Rod Dia.	List Price
CM-375-9006-025	6	\$40.57
CM-22225	6-1/4	56.07
CM-23659	6-1/4	46.02
CM-23660	6-1/4	49.85
CM-22062	6-1/2	52.55
CM-22092	6-1/2	58.01
CM-375-9006-020	6-1/2	45.97
CM-375-9006-455	6-1/2	73.64
CM-375-9006-197	6-3/4	47.93
CM-375-9006-098	7	49.80
CM-375-9006-479	7	351.38
CM-22097	7-1/2	88.86
CM-375-9006-024	8	60.25
CM-375-9006-021	8-1/2	64.53
CM-22063	9	98.26
CM-375-9006-097	9-1/4	106.35

VEE SETS

Part Number	Rod Dia.	List Price
CM-21039	1-1/2	\$19.62

WEAR RINGS

Part Number	O.D. X Width	List Price
CM-25000	1-1/4 X 3/8	\$6.30
CM-25125	1-1/4 X 1/2	7.65
CM-25122	1-1/2 X 3/8	6.30
CM-25124	1-1/2 X 1/2	6.30
CM-375-9023-071	1-1/2 X 1/2	6.30
CM-391-2684-148	1-1/2 X 1/2	6.30
CM-25040	1-1/2 X 5/8	6.30
CM-375-9003-246	1-1/2 X 5/8	6.30
CM-25009	1-3/4 X 3/8	6.38
CM-25010	1-3/4 X 1/2	6.23
CM-391-2684-149	1-3/4 X 1/2	6.23
CM-25009	1-3/4 X 3/8	6.38
CM-25149	2 X 1/4	5.40
CM-25001	2 X 3/8	6.38
CM-25011	2 X 1/2	6.72
CM-375-9023-092	2 X 1/2	6.72

WEAR RINGS

Part Number	O.D. X Width	List Price
CM-391-2684-150	2 X 1/2	\$6.72
CM-25558	2 X 3/4	7.14
CM-25002	2-1/4 X 3/8	6.72
CM-25012	2-1/4 X 1/2	6.72
CM-375-9003-238	2-1/4 X 1/2	11.95
CM-391-2684-151	2-1/4 X 1/2	6.72
CM-25147	2-1/4 X 5/8	7.04
CM-25050	2-1/4 X 3/4	6.94
CM-375-9003-202	2-1/4 X 3/4	12.43
CM-391-2684-101	2-1/4 X 3/4	6.94
CM-25013	2-3/8 X 1/2	6.94
CM-25003	2-1/2 X 3/8	6.94
CM-25014	2-1/2 X 1/2	6.98
CM-375-9023-072	2-1/2 X 1/2	6.98
CM-391-2684-152	2-1/2 X 1/2	11.57
CM-2505025	2-1/2 X 3/4	8.30
CM-25072	2-3/4 X 1	29.33
CM-375-9023-142	2-3/4 X 1	37.63
CM-25015	2-3/4 X 1/2	7.04
CM-375-9023-052	2-3/4 X 1/2	7.04
CM-375-9023-070	2-3/4 X 1/2	7.04
CM-375-9003-027	2-3/4 X 2	30.73
CM-25004	2-3/4 X 3/8	7.04
CM-250655	2-7/8 X 1	9.15
CM-25116	3 X 1	7.99
CM-25144	3 X 1/4	6.48
CM-25016	3 X 1/2	17.87
CM-250505	3 X 3/4	8.23
CM-25115	3 X 3/4	8.23
CM-391-2684-097	3 X 3/4	8.23
CM-25006	3-1/4 X 3/8	7.36
CM-25017	3-1/4 X 1/2	7.36
CM-375-9023-031	3-1/4 X 1/2	7.36
CM-391-2684-124	3-1/4 X 1/2	7.36
CM-391-2684-133	3-1/4 X 1/2	7.36
CM-25051	3-1/4 X 3/4	8.23
CM-391-2684-077	3-1/4 X 3/4	8.23
CM-25834	3-1/4 X 1	8.82
CM-375-9003-071	3-1/4 X 1	15.63
CM-375-9003-059	3-1/4 X 2	42.07
CM-375-9023-128	3-1/4 X 2-1/8	41.41
CM-25119	3-1/2 X 3/8	7.40
CM-25018	3-1/2 X 1/2	7.40
CM-375-9023-036	3-1/2 X 1/2	7.40
CM-375-9023-089	3-1/2 X 1/2	7.40
CM-25035	3-1/2 X 5/8	8.23

REPLACEMENT PARTS FOR COMMERCIAL EQUIPMENT

NOTE: Commercial part numbers are used as a reference only. We do not imply that these kits are original REPLACEMENT PARTS.

WEAR RINGS

Part Number	O.D. X Width	List Price
CM-25052	3-1/2 X 3/4	\$8.26
CM-375-9023-116	3-1/2 X 3/4	28.80
CM-391-2681-635	3-1/2 X 3/4	28.80
CM-391-2684-092	3-1/2 X 3/4	8.26
CM-25071	3-1/2 X 1	8.97
CM-25145	3-3/4 X 3/8	9.39
CM-25019	3-3/4 X 1/2	7.54
CM-375-9023-147	3-3/4 X 1/2	20.17
CM-391-2684-163	3-3/4 X 3/4	8.65
CM-375-9023-135	3-3/4 X 1.240	25.24
CM-25007	4 X 3/8	9.39
CM-25020	4 X 1/2	7.54
CM-391-2684-004	4 X 1/2	7.54
CM-391-2684-153	4 X 1/2	7.54
CM-25036	4 X 5/8	8.82
CM-25053	4 X 3/4	8.26
CM-391-2684-080	4 X 3/4	8.26
CM-25065	4 X 1	9.66
CM-375-9023-088	4 X 1	9.66
CM-375-9023-149	4 X 1	47.79
CM-25021	4-1/4 X 1/2	7.72
CM-375-9003-257	4-1/4 X 1/2	7.72
CM-375-9023-021	4-1/4 X 1/2	7.72
CM-25037	4-1/4 X 5/8	8.82
CM-25135	4-1/4 X 3/4	9.15
CM-391-2684-118	4-1/4 X 3/4	9.15
CM-375-9023-027	4-1/4 X 7/8	40.29
CM-375-3023-031	4-1/4 X 1	11.82
CM-375-9003-036	4-1/4 X 1-1/4	21.06
CM-25066	4-1/2 X 1	11.82
CM-25022	4-1/2 X 1/2	7.92
CM-375-9023-032	4-1/2 X 1/2	7.92
CM-25038	4-1/2 X 5/8	8.82
CM-25054	4-1/2 X 3/4	8.62
CM-25121	4-3/4 X 1/2	7.92
CM-375-9023-033	4-3/4 X 1/2	7.92
CM-25123	4-3/4 X 1	11.92
CM-375-9003-216	4-3/4 X 1-1/4	22.03
CM-25847	4-3/4 X 2	58.65
CM-25023	5 X 1/2	7.92
CM-375-9023-034	5 X 1/2	7.92
CM-391-2684-142	5 X 1/2	7.92
CM-25055	5 X 3/4	8.82

WEAR RINGS

Part Number	O.D. X Width	List Price
CM-391-2684-121	5 X 3/4	\$8.82
CM-25039	5 X 0.622	8.82
CM-25067	5 X 1	11.92
CM-25118	5-1/4 X 1/2	7.92
CM-391-2684-125	5-1/4 X 1/2	7.92
CM-25143	5-1/4 X 5/8	9.74
CM-391-2684-082	5-1/4 X 3/4	9.01
CM-375-9023-141	5-1/4 X 1-1/4	55.35
CM-375-9023-134	5-1/4 X 2	64.04
CM-25554	5-1/2 X 1	12.05
CM-25024	5-1/2 X 1/2	7.92
CM-391-2684-145	5-1/2 X 1/2	7.92
CM-25056	5-1/2 X 3/4	9.01
CM-375-9023-090	5-1/2 X 3/4	9.01
CM-391-2684-155	5-1/2 X 3/4	9.01
CM-25025	5-3/4 X 1/2	9.04
CM-25041	5-3/4 X 5/8	9.64
CM-375-9003-252	5-3/4 X 1-1/2	44.43
CM-375-9023-140	5-3/4 X 1-1/2	44.43

WIPERS

Part Number	Rod Dia.	List Price
CM-14075	3/4	\$4.49
CM-391-3881-116	3/4	1.85
CM-12100	1	3.93
CM-391-3881-105	1	1.98
CM-12112	1-1/8	3.93
CM-12125	1-1/4	4.29
CM-391-3881-101	1-1/4	2.14
CM-375-3026-017	1-3/8	4.50
CM-12150	1-1/2	5.03
CM-14151	1-1/2	19.03
CM-391-3881-102	1-1/2	18.54
CM-391-3881-106	1-1/2	3.19
CM-12175	1-3/4	5.62
CM-13019	1-3/4	3.34
CM-375-9026-081	1-3/4	5.62
CM-391-3881-095	1-3/4	3.34
CM-391-3881-104	1-3/4	20.04
CM-12200	2	5.90

WIPERS

Part Number	Rod Dia.	List Price
CM-375-9026-083	2	\$5.90
CM-375-9026-112	2	10.77
CM-391-3881-071	2	3.39
CM-12225	2-1/4	6.23
CM-391-3881-053	2-1/4	3.61
CM-391-3881-107	2-3/8	3.75
CM-12250	2-1/2	6.23
CM-375-9026-082	2-1/2	6.97
CM-391-3881-055	2-1/2	4.08
CM-391-3881-103	2-1/2	25.17
CM-12262	2-5/8	13.17
CM-12275	2-3/4	7.17
CM-375-9026-047	2-3/4	28.51
CM-391-3881-108	2-3/4	4.31
CM-12300	3	7.51
CM-375-9026-121	3	10.61
CM-375-9026-132	3	5.03
CM-391-3881-054	3-1/4	5.92
CM-12350	3-1/2	8.53
CM-391-3881-096	3-1/2	6.06
CM-391-3881-112	3-7/8	6.56
CM-12400	4	11.12
CM-375-9026-017	4	55.09
CM-375-9026-044	4	11.12
CM-375-9026-131	4	6.76
CM-391-3881-099	4	6.76
CM-391-3881-110	4-1/8	6.95
CM-375-9026-079	4-1/4	45.45
CM-391-3881-056	4-1/4	7.13
CM-12450	4-1/2	12.45
CM-12453-520	4-1/2	17.18
CM-375-9026-098	4-1/2	12.45
CM-375-9026-106	4-1/2	7.32
CM-375-9026-066	4-3/4	60.78
CM-375-9026-128	4-3/4	62.26
CM-12500	5	17.39
CM-375-9026-130	5	16.88
CM-391-3881-114	5	8.97
CM-375-9026-006	5-1/2	21.60
CM-391-3881-115	6	11.41
CM-391-3881-111	6-1/4	11.81
CM-391-3881-109	6-1/2	12.05
CM-391-3881-121	6-1/2	86.85
CM-375-9026-120	7	30.35
CM-375-9026-097	8-1/4	36.53

CROSS

Kit Number	Code (Pg. 14)	Rod X Bore Size	List Price
CR-1C 1480	P-U-5	1-1/16 X 2	\$47.81
CR-1C 4147	P-OB-3	1-1/8 X 3	21.59
CR-1C 4244	P-OB-3	1-1/16 X 2	27.19
CR-1C 4429	P-OB-3	1-1/4 X 3-1/2	24.44
CR-1C 4430	P-OB-3	1-1/4 X 4	25.59
CR-1C 4433	P-OB-3	1-1/16 X 2-1/2	28.29
CR-1C 4629	P-OB-3	1-1/4 X 3	18.60
CR-1C 4630	P-OB-3	1-1/2 X 3	18.98
CR-1C 4631	P-OB-3	1-1/2 X 3-1/2	25.05
CR-1C 4637	P-OB-3	1-1/2 X 4	35.97
CR-1C 4638	P-OB-3	2 X 4	25.26
CR-1C 4642	P-OB-3	3/4 X 1-1/2	31.75

Kit Number	Code (Pg. 14)	Rod X Bore Size	List Price
CR-1C 4750	P-OB-3	1 X 2	\$18.98
CR-1C 4759	P-OB-3	1-1/4 X 2-1/2	19.56
CR-1C 4765	P-OB-3	1-1/4 X 3	19.73
CR-1C 4785	P-OB-3	1-1/2 X 4	26.86
CR-1C 4786-A	P-OB-3	2 X 4	23.15
CR-1C 4796	P-OB-3	2-1/2 X 5	35.97
CR-1C 9964	P-U-5	2 X 4	94.49
CR-2C 1955	P-U-5	1-1/2 X 4	94.01
CR-2C 2842	P-OB-3	1-1/4 X 3	28.08
CR-2C 5395	P-U-5	3-1/2 X 6	153.91
CR-3C 2597	P-U-5	1-1/2 X 3	59.55
CR-3C 7684	P-OB-3	1-3/4 X 4	39.63

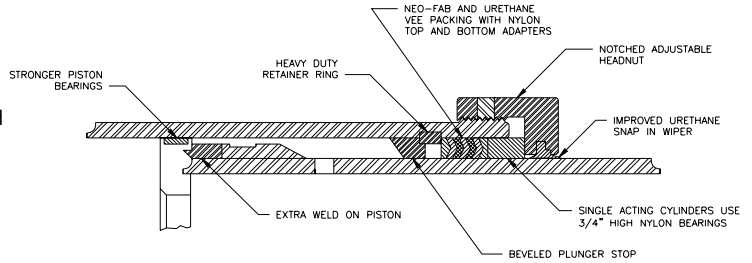
CROWN LIFT TRUCKS

Kit Number	Code (Pg. 14)	Rod X Bore Size	List Price
CRN-087484		O-RING	\$7.08
CRN-088719		O-RING	6.33
CRN-089178	I-U-13	1-3/4 X 3-1/2	86.01
CRN-093217		O-RING	6.78
CRN-101296	I-U-1	2-1/2" Rod Kit	36.54
CRN-101301	I-U-1	2 ROD KIT	43.25
CRN-101302	I-U-1	1-7/8 X 2-1/2	114.06
CRN-101305	I-U-1	1-5/8 X Rod Kit	167.41
CRN-101309	I-U-1	1-7/8" ROD KIT	119.68
CRN-101310	I-U-1	2-1/2" ROD KIT	48.66
CRN-101313	I-U-1	1-3/8" Rod Kit	43.94
CRN-101314	I-U-1	2-1/8" ROD KIT	33.94
CRN-101316	I-U-1	2-3/8" ROD KIT	79.23
CRN-101323	I-V-1	1-7/8" Rod Kit	151.28
CRN-101326	I-U-1	2-3/8" Rod Kit	53.80
CRN-101329	I-U-1	1-7/8, 2-5/8 Stages	130.60
CRN-101331	I-U-1	1-3/4, 2-3/8 Stages	107.36
CRN-101332	I-U-1	1-3/4 X 2-1/2	35.82
CRN-101334	I-U-1	1-7/8, 2-5/8 Rod kit	135.05
CRN-101335	I-U-1	1-5/8, 2-1/4 Stages	116.38
CRN-101336	I-U-1	1-5/8, 2-1/4 Stages	120.43
CRN-101339	I-U-1	2" Rod Kit	133.15
CRN-101340	I-U-1	1-7/8 ROD KIT	36.55
CRN-101341	I-U-5	1-1/4 X 2-3/8	89.40
CRN-101342	I-U-3	1-1/2 X 3	118.07
CRN-101343	I-U-5	3/4 X 2	104.27
CRN-101346	I-U-5	3/4 X 1-3/4	74.54
CRN-101347	I-U-5	3/4 X 2-1/8	102.74
CRN-101376	I-U-5	1-1/4 X 3	142.41

Kit Number	Code (Pg. 14)	Rod X Bore Size	List Price
CRN-101377	I-U-5	1 x 1-3/4	\$76.84
CRN-102659		VALVE KIT	8.32
CRN-105476004		O-RING	12.46
CRN-105476-6		O-RING	4.15
CRN-107366	I-O-1	1/2" Valve Kit	30.32
CRN-111573	I-U-1	3" ROD KIT	60.17
CRN-111574	I-U-1	2" ROD KIT	38.58
CRN-111790-001		O-RING	4.15
CRN-111790-12		O-RING	4.15
CRN-111790-2		O-RING	8.32
CRN-111790-3		O-RING	5.24
CRN-111790-4		O-RING	5.24
CRN-111790-9		O-RING	4.94
CRN-112022	I-U-4	7/8 X 2	37.33
CRN-112704		8, 9/16" Spools Rod Kit	32.27
CRN-113744	I-U-13	2-1/2 X 3-1/4	96.69
CRN-113745	I-U-13	3/4 x 1-3/4	47.98
CRN-115604	I-U-4	7/8 X 2	59.49
CRN-116360	N-O-1	O-RING	9.21
CRN-116820	I-U-1	2" rod kit	26.02
CRN-42249	I-U-1	56 X 80 mm	64.76
CRN-43023-1		VALVE KIT	53.24
CRN-78685		VALVE KIT	24.74
CRN-79017		VALVE KIT	7.64
CRN-87317	N-O-1	O-RING	6.78
CRN-89704	I-U-13	1-3/4 x 2-3/4	120.44
CRN-90880	I-U-5	3/4 X 1-3/4	77.42
CRN-94580	I-O-1	5/8" Rod kit	9.06

CUSTOM HOISTS 700 SERIES

PACKING: Vee packing with nylon top and bottom adapters.
WIPERS: An improved dual-lip snap in wiper to minimize contamination entry.
Bearing: Top mineral filled nylon bearing.
Retainer Ring: Heavy duty for improved strength.
Plunger Stop: Beveled plunger stop for plunger center.
Piston Wear Ring: Wear ring with increased cross-section for added strength.
Stage O.D.'S: 3-3/16", 4-1/8", 5-1/16" & 6"
Identification: Part number and serial number stamped in body near base of cylinder. Ex. 63-702-120

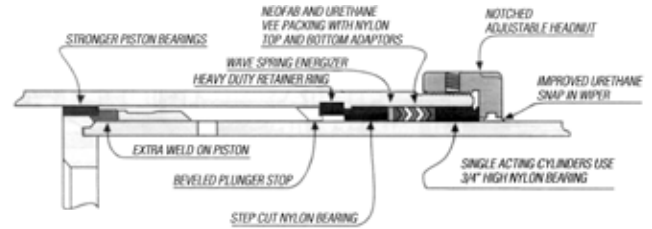


Part Number	Description	List Price
SEAL KITS		
CH-SK-53-700	3 - 5" Seal Kit	\$179.52
CH-SK-63-700	4 - 6" Seal Kit	205.45
CH-SK-64-700	3 - 6" Seal Kit	253.33
CH-SK-74-700	4 - 7" Seal Kit	370.66
MINOR PACKING KITS		
CH-MPK-53-700	3 - 5" Minor Packing Kit	\$314.94
CH-MPK-63-700	4 - 6" Minor Packing Kit	344.15
CH-MPK-64-700	3 - 6" Minor Packing Kit	433.80
CH-MPK-74-700	4 - 7" Minor Packing Kit	655.08
MAJOR PACKING KITS		
CH-MRK-53-700	3 - 5" Major Repair Kit	\$597.68
CH-MRK-63-700	4 - 6" Major Repair Kit	687.26
CH-MRK-64-700	3 - 6" Major Repair Kit	860.66
CH-MRK-74-700	4 - 7" Major Repair Kit	1032.61
NYLON TOP BEARINGS		
CH-1BU11-3-3/16	3-3/16" Nylon Top Bearing	\$32.72
CH-1BU11-4-1/8	4-1/8" Nylon Top Bearing	33.74
CH-1BU11-5-1/16	5-1/16" Nylon Top Bearing	33.95
CH-1BU11-6	6" Nylon Top Bearing	26.76
CH-1BU11-7	7" Nylon Top Bearing	29.42
PACKINGS		
CH-700-3-3/16VS	3-3/16" Vee Set	\$39.95
CH-700-4-1/8VS	4-1/8" Vee Set	46.40
CH-700-5-1/16VS	5-1/16" Vee Set	57.60
CH-700-6VS	6" Vee Set	44.98
CH-PK-1-7	7" Vee Set	56.06

Part Number	Description	List Price
WIPERS		
CH-1WR1-3-3/16	3-3/16" Wiper	\$13.27
CH-1WR1-4-1/8	4-1/8" Wiper	17.24
CH-1WR1-5-1/16	5-1/16" Wiper	21.27
CH-1WR1-6	6" Wiper	17.86
CH-1WR1-7	7" Wiper	22.08
RETAINER RINGS		
CH-2RR58-550	5-1/2" Retainer Ring	\$70.56
CH-2RR58-650	6-1/2" Retainer Ring	66.87
CH-2RR58-750	7" Retainer Ring	81.63
PISTON WEAR RINGS		
CH-2WG3-3-3/16	3-3/16" Piston Wear Ring	\$8.17
CH-2WG3-4-1/8	4-1/8" Piston Wear Ring	10.29
CH-2WG3-5-1/16	5-1/16" Piston Wear Ring	12.10
CH-2WG3-6	6" Piston Wear Ring	14.62
CH-2WG1-7	7" Piston Wear Ring	12.44
WAVE SPRING		
CH-1WA11-7	7" Wave Spring	\$57.40
BUSHING		
CH-1BU195-7	7" Bushing	\$37.08

CUSTOM HOISTS 400 SERIES

PACKING: Vee packing with nylon top and bottom adapters.
WIPERS: An improved dual-lip snap in wiper to minimize contamination entry.
WAVE SPRING: To apply a continuous force on the packing.
BEARINGS: Top and bottom mineral filled nylon bearing.
RETAINER RING: Heavy duty for improved strength.
PLUNGER STOP: Beveled plunger stop for plunger centering.
PISTON WEAR RING: Wear ring with increased cross-section for added strength.
STAGE O.D.'S: 3, 4, 5, 6, 7, 8, 8-1/4, 9-1/8, 9-3/4
IDENTIFICATION: Part number and serial number stamped in body near oil port near base of cylinder.
 Example: 85-402-250 single acting.



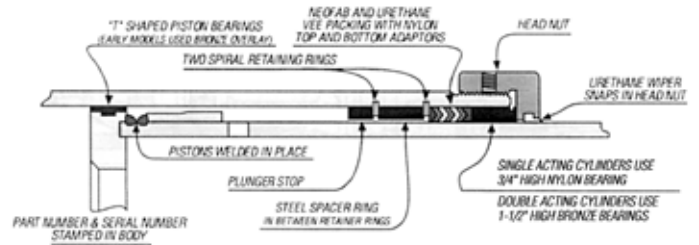
Part Number	Description	List Price
SEAL KITS		
CH-SK-53-400	3 - 5" Seal Kit	\$234.24
CH-SK-63-400	4 - 6" Seal Kit	281.88
CH-SK-64-400	3 - 6" Seal Kit	352.24
CH-SK-73-400	5 - 7" Seal Kit	369.61
CH-SK-74-400	4 - 7" Seal Kit	441.17
CH-SK-8-1/4 5-400	4 - 8-1/4" Seal Kit	764.05
CH-SK-84-400	5 - 8" Seal Kit	552.87
CH-SK-85-400	4 - 8" Seal Kit	625.11
CH-SK-95-400	5 - 9-1/8" Seal Kit	866.40
MINOR PACKING KITS		
CH-MPK-53-400	3 - 5" Minor Packing Kit	\$385.09
CH-MPK-63-400	4 - 6" Minor Packing Kit	441.47
CH-MPK-64-400	3 - 6" Minor Packing Kit	560.20
CH-MPK-73-400	5 - 7" Minor Packing Kit	543.16
CH-MPK-74-400	4 - 7" Minor Packing Kit	663.74
CH-MPK-8-1/4 5-400	4 - 8-1/4" Minor Packing Kit	1182.52
CH-MPK-84-400	5 - 8" Minor Packing Kit	852.48
CH-MPK-85-400	4 - 8" Minor Packing Kit	918.53
CH-MPK-95-400	5 - 9-1/8" Minor Packing Kit	1798.76
MAJOR REPAIR KITS		
CH-MRK-53-400	3 - 5" Major Repair Kit	\$1154.27
CH-MRK-63-400	4 - 6" Major Repair Kit	1211.12
CH-MRK-64-400	3 - 6" Major Repair Kit	1585.33
CH-MRK-73-400	5 - 7" Major Repair Kit	1305.56
CH-MRK-74-400	4 - 7" Major Repair Kit	1689.72
CH-MRK-8-1/4 5-400	4 - 8-1/4" Major Repair Kit	3305.24
CH-MRK-84-400	5 - 8" Major Repair Kit	1911.78
CH-MRK-85-400	4 - 8" Major Repair Kit	2296.75
CH-MRK-95-400	5 - 9" Major Repair Kit	3607.33
PACKING & WIPERS		
CH-400-3VSW	3" Vee Set & Wiper	\$46.78
CH-400-4VSW	4" Vee Set & Wiper	48.43
CH-400-5VSW	5" Vee Set & Wiper	58.35
CH-400-6VSW	6" Vee Set & Wiper	72.35
CH-400-7VSW	7" Vee Set & Wiper	86.34
CH-400-8.25VSW	8-1/4" Vee Set & Wiper	240.60
CH-400-8VSW	8" Vee Set & Wiper	105.32
CH-400-9.12VSW	9-1/8" Vee Set & Wiper	299.33
NYLON BOTTOM BEARINGS		
CH-1BU195-3	3" Nylon Bottom Bearing	\$27.20
CH-1BU195-4	4" Nylon Bottom Bearing	27.93
CH-1BU195-5	5" Nylon Bottom Bearing	30.39
CH-1BU195-6	6" Nylon Bottom Bearing	32.72
CH-1BU195-7	7" Nylon Bottom Bearing	37.08
CH-1BU195-8	8" Nylon Bottom Bearing	43.49
CH-1BU195-825	8-1/4" Nylon Bottom Bearing	101.55
CH-1BU195-91	9-1/8" Nylon Bottom Bearing	144.85
NYLON TOP BEARINGS		
CH-1BU11-3	3" Nylon Top Bearing	\$21.70
CH-1BU11-4	4" Nylon Top Bearing	21.49

Part Number	Description	List Price
NYLON TOP BEARINGS		
CH-1BU11-5	5" Nylon Top Bearing	\$22.64
CH-1BU11-6	6" Nylon Top Bearing	26.76
CH-1BU11-7	7" Nylon Top Bearing	29.42
CH-1BU11-8	8" Nylon Top Bearing	35.64
CH-1BU11-82	8-1/4" Nylon Top Bearing	67.53
CH-1BU11-91	9-1/8" Nylon Top Bearing	119.44
RETAINER RINGS		
CH-2RR58-350	3-1/2" Retainer Ring	\$76.04
CH-2RR58-450	4-1/2" Retainer Ring	74.30
CH-2RR58-550	5-1/2" Retainer Ring	70.56
CH-2RR58-650	6-1/2" Retainer Ring	66.87
CH-2RR58-750	7-1/2" Retainer Ring	81.63
CH-2RR58-850	8-1/2" Retainer Ring	105.84
CH-2RR58-975	9-3/4" Retainer Ring	251.53
WAVE SPRINGS		
CH-1WA11-3	3" Wave Spring	\$24.92
CH-1WA11-4	4" Wave Spring	27.01
CH-1WA11-5	5" Wave Spring	29.97
CH-1WA11-6	6" Wave Spring	35.38
CH-1WA11-7	7" Wave Spring	57.40
CH-1WA11-8	8" Wave Spring	61.66
CH-1WA11-825	8-1/4" Wave Spring	182.43
CH-1WA11-91	9-1/8" Wave Spring	69.62
PLUNGER STOPS		
CH-2PS36-3	3" Plunger Stop	\$109.46
CH-2PS36-4	4" Plunger Stop	111.56
CH-2PS36-5	5" Plunger Stop	111.88
CH-2PS36-6	6" Plunger Stop	115.75
CH-2PS36-7	7" Plunger Stop	117.84
CH-2PS36-8	8" Plunger Stop	146.83
CH-2PS36-825	8-1/4" Plunger Stop	174.10
CH-2PS36-91	9-1/8" Plunger Stop	288.86
PISTON WEAR RINGS		
CH-2WG1-3	3" Piston Wear Ring	\$9.69
CH-2WG1-4	4" Piston Wear Ring	17.04
CH-2WG1-5	5" Piston Wear Ring	17.79
CH-2WG1-8	8" Piston Wear Ring	22.52
CH-2WG1-6	6" Piston Wear Ring	21.50
CH-2WG1-7	7" Piston Wear Ring	12.44
CH-2WG1-91	9-1/8" Piston Wear Ring	36.40
WIPERS		
CH-1WR1-3	3" WIPER	\$10.54
CH-1WR1-4	4" WIPER	12.59
CH-1WR1-5	5" WIPER	15.17
CH-1WR1-6	6" WIPER	17.86
CH-1WR1-7	7" WIPER	22.08
CH-1WR1-8	8" WIPER	26.10
CH-1WR1-825	8-1/4" WIPER	37.04
CH-1WR1-91	9.12" WIPER	53.67

CUSTOM HOIST

CUSTOM HOISTS TELESCOPICS

- PACKING:** Vee packing with nylon top and bottom adaptors.
4" thru 8" all 1/4" c.s.
- WIPERS:** Snap in.
- BEARINGS:** One bronze or mineral filled nylon bearing above the packing.
- PISTON:** Steel pistons welded to stage. Replaceable "T" shaped nylon wear rings. Double action use 2 cast iron piston rings in separate grooves.
- STAGE O.D.'s:** 3, 4, 5, 6, 7, 8, 8-1/4, 9-1/8, 9-3/4
- SPECIAL INFO.:** Uses 2 spiral retainer rings with metal spacer in between.
- IDENTIFICATION:** Part number and serial number stamped in body near oil port near base of cylinder.
Example: 85-2-220 single acting;
DAT73-4-128 double acting



Part Number	Description	List Price
PACKING & WIPERS		
CH-3VSW	3" Vee Set & Wiper	\$31.18
CH-4VSW	4" Vee Set & Wiper	34.65
CH-5VSW	5" Vee Set & Wiper	39.31
CH-6VSW	6" Vee Set & Wiper	47.91
CH-7VSW	7" Vee Set & Wiper	55.95
CH-8.25VSW	8-1/4" Vee Set & Wiper	163.79
CH-8VSW	8" Vee Set & Wiper	63.00
CH-9.12VSW	9-1/8" Vee Set & Wiper	208.14
CH-9.75VSW	9-3/4" Vee Set & Wiper	311.45
NYLON TOP BEARINGS		
CH-1BU11-3	3" Nylon Top Bearing	\$21.70
CH-1BU11-4	4" Nylon Top Bearing	21.49
CH-1BU11-5	5" Nylon Top Bearing	22.64
CH-1BU11-6	6" Nylon Top Bearing	26.76
CH-1BU11-7	7" Nylon Top Bearing	29.42
CH-1BU11-8	8" Nylon Top Bearing	35.64
CH-1BU11-82	8-1/4" Nylon Top Bearing	67.53
CH-1BU11-91	9-1/8" Nylon Top Bearing	119.44
CH-1BU1291/8	9-1/8" Nylon Top Bearing 1-1/2" Tall	151.80
SPIRAL RETAINER RINGS		
CH-1RR1-35	3-1/2" Bore Spiral Retainer Ring	\$7.12
CH-1RR1-45	4-1/2" Bore Spiral Retainer Ring	16.90
CH-1RR1-55	5-1/2" Bore Spiral Retainer Ring	17.27
CH-1RR1-65	6-1/2" Bore Spiral Retainer Ring	13.38
CH-1RR1-75	7-1/2" Bore Spiral Retainer Ring	17.73
CH-1RR1-85	8-1/2" Bore Spiral Retainer Ring	21.96
CH-1RR1-9	9" Bore Spiral Retainer Ring	121.09
CH-1RR1-97	9-3/4" Bore Spiral Retainer Ring	137.91
CH-1RR1-105	10-1/2" Bore Spiral Retainer Ring	184.86
SPACER RINGS		
CH-2SP1-3	3" Spacer	\$48.02
CH-2SP1-4	4" Spacer	71.15
CH-2SP1-5	5" Spacer	73.01
CH-2SP1-6	6" Spacer	80.73
CH-2SP1-7	7" Spacer	101.52
CH-2SP1-8	8" Spacer	121.52
CH-2SP1-8.25	8-1/4" Spacer	530.69

Part Number	Description	List Price
T-SHAPED PISTON WEAR RINGS		
CH-2GR6-3	3" Piston Wear Ring	\$12.93
CH-2GR6-4	4" Piston Wear Ring	13.92
CH-2GR6-5	5" Piston Wear Ring	17.80
CH-2GR6-6	6" Piston Wear Ring	22.03
CH-2GR6-7	7" Piston Wear Ring	23.99
CH-2GR6-8	8" Piston Wear Ring	39.55
CH-2GR6-825	8-1/4" Piston Wear Ring	56.51
CH-2GR6-91	9-1/8" Piston Wear Ring	56.51
CH-2GR6-975	9-3/4" Piston Wear Ring	59.32
PISTON WEAR RINGS		
CH-2WG1-3	3" Piston Wear Ring	\$9.69
CH-2WG1-4	4" Piston Wear Ring	17.04
CH-2WG1-5	5" Piston Wear Ring	17.79
CH-2WG1-8	8" Piston Wear Ring	22.52
CH-2WG1-6	6" Piston Wear Ring	21.50
CH-2WG1-7	7" Piston Wear Ring	12.44
CH-2WG1-91	9-1/8" Piston Wear Ring	36.40
PISTON RINGS (DOUBLE ACTING)		
CH-2PR3-35	3-1/2" Piston Ring	\$17.79
CH-2PR3-45	4-1/2" Piston Ring	23.40
CH-2PR3-55	5-1/2" Piston Ring	30.04
CH-2PR3-75	7-1/2" Piston Ring	45.68
CH-2PR3-85	8-1/2" Piston Ring	61.53
CH-2PR3-97	9-3/4" Piston Ring	126.64
CH-2PR3-105	10-1/2" Piston Ring	223.59

CUSTOM HOIST

CUSTOM HOISTS TELESCOPICS

CUSTOM HOIST

Part Number	Description	List Price
KITS		
CH-35	3" - 5" Vee Set & Wiper	\$108.15
CH-46	4" - 6" Vee Set & Wiper	136.04
CH-47	4" - 7" Vee Set & Wiper	202.32
CH-48	4" - 8" Vee Set & Wiper	213.03
CH-48-1/4	4" - 8 - 1/4" Vee Set & Wiper	374.31
CH-49	4" - 9 - 1/8" Vee Set & Wiper	519.01
CH-57	Custom #73-81-114, 129, 149	170.02
CH-57	5" - 7" Vee Set & Wiper	170.02
CH-58	5" - 8" Vee Set & Wiper	244.94
CH-59	5" - 9-1/8" Vee Set & Wiper	486.39
CH-NPB35	3" - 5" Nylon Piston Wear Ring Kit	49.51
CH-NPB36	3" - 6" Nylon Piston Wear Ring Kit	73.96
CH-NPB46	4" - 6" Nylon Piston Wear Ring Kit	59.62
CH-NPB47	4" - 7" Nylon Piston Wear Ring Kit	86.19
CH-NPB48	4" - 8" Nylon Piston Wear Ring Kit	130.04
CH-NPB48-1/4	4" - 8-1/4" Nylon Piston Wear Ring Kit	148.87
CH-NPB49	4" - 9-1/8" Nylon Piston Wear Ring	192.71
CH-NPB57	5" - 7" Piston Wear Ring Kit	70.74
CH-NPB58	5" - 8" Piston Wear Ring Kit	114.52
CH-NPB59	5" - 9-1/8" Piston Wear Ring Kit	177.24
CH-NYB35-DA	2 ea. 3" - 5" Nylon Top Bearings	122.48
CH-NYB35-SA	1 ea. 3" - 5" Nylon Top Bearings	61.25
CH-NYB36-DA	2 ea. 3" - 6" Nylon Top Bearings	172.51
CH-NYB36-SA	1 ea. 3" - 6" Nylon Top Bearings	86.26
CH-NYB46-DA	2 ea. 4" - 6" Nylon Top Bearings	132.25
CH-NYB46-SA	1 ea. 4" - 6" Nylon Top Bearings	66.15
CH-NYB47-DA	2 ea. 4" - 7" Nylon Top Bearings	191.03
CH-NYB47-SA	1 ea. 4" - 7" Nylon Top Bearings	93.31
CH-NYB48-1/4	1 ea. 4" - 8-1/4" Nylon Top Bearings	159.28
CH-NYB48-DA	2 ea. 4" - 8" Nylon Top Bearings	252.38
CH-NYB48-SA	1 ea. 4" - 8" Nylon Top Bearings	126.19
CH-NYB49-DA	2 ea. 4" - 8" Nylon Top Bearing & 1 ea. 9-1/8" Nylon Top Bearings	442.31
CH-NYB57-DA	2 ea. 5" - 7" Nylon Top Bearings	146.46
CH-NYB57-SA	1 ea. 5" - 7" Nylon Top Bearings	73.22
CH-NYB58-DA	2 ea. 5" - 8" Nylon Top Bearings	212.21
CH-NYB58-SA	1 ea. 5" - 8" Nylon Top Bearings	106.11
CH-NYB59-DA	2 ea. 5" - 9-1/8" Nylon Top Bearings	418.18
CH-NYB59-SA	1 ea. 5" - 9" Nylon Top Bearings	223.15
CH-PR35	2 ea. 3-1/2" - 5-1/2" Piston Rings	188.54
CH-PR36	2 ea. 3-1/2" - 6-1/2" Piston Rings	313.91
CH-PR46	2 ea. 4-1/2" - 6-1/2" Piston Rings	262.95
CH-PR47	2 ea. 4-1/2" - 7-1/2" Piston Rings	380.50
CH-PR48	2 ea. 4-1/2" - 8-1/2" Piston Rings	538.89
CH-PR49	2 ea. 4-1/2" - 9-3/4" Piston Rings	865.00
CH-PR57	2 ea. 5-1/2" - 7-1/2" Piston Rings	320.25
CH-PR58	2 ea. 5-1/2" - 8-1/2" Piston Rings	478.64
CH-PR59	2 ea. 5-1/2" - 9-3/4" Piston Rings	804.76
CH-PS1-3	3" Plunger Stop	50.46
CH-PS1-4	4" Plunger Stop	113.15
CH-PS1-5	5" Plunger Stop	120.87

Part Number	Description	List Price
KITS		
CH-PS1-6	6" Plunger Stop	\$115.31
CH-PS1-7	7" Plunger Stop	85.46
CH-PS1-8	8" Plunger Stop	123.21
CH-PS1-82	8-1/4" Plunger Stop	270.86
CH-PS1-91	9-1/8" Plunger Stop	186.37
CH-PS1-975	9-3/4" Plunger Stop	394.96
CH-SR35	2 ea. 3-1/2" - 5-1/2" Spiral Retainer	97.01
CH-SR36	2 ea. 3-1/2" - 6-1/2" Spiral Retainer	129.01
CH-SR46	2 ea. 4-1/2" - 6-1/2" Spiral Retainer	117.11
CH-SR47	2 ea. 4-1/2" - 7-1/2" Spiral Retainer	160.72
CH-SR48	2 ea. 4-1/2" - 8-1/2" Spiral Retainer	214.85
CH-SR48-1/4	2 ea. 4-1/2" - 9" Spiral Retainer	618.19
CH-SR49	2 ea. 4-1/2" - 9-3/4" Spiral Retainer	556.25
CH-SR57	2 ea. 5-1/2" - 7-1/2" Spiral Retainer	119.12
CH-SR58	2 ea. 5-1/2" - 8-1/2" Spiral Retainer	173.27
CH-SR59	2 ea. 5-1/2" - 9-3/4" Spiral Retainer	514.68
HEAD NUTS (Measured at thread - have 12th/in)		
CH-2HN-4	4" Head Nut	\$153.05
CH-2HN-5	5" Head Nut	112.56
CH-2HN-6	6" Head Nut	178.70
CH-2HN-7	7" Head Nut	155.25
CH-2HN-8	8" Head Nut	244.87
CH-2HN-82	8-1/4" Head Nut	568.55
CH-2HN-9	9" Head Nut	398.50
CH-3HN1-11.25	11-1/4" Head Nut (over 9-3/4" Stage)	1241.02
CH-3HN1-11.25	11-1/4" Head Nut (over 9-3/4" Stage)	1241.02
MISCELLANEOUS PARTS		
CH-ABVA-1	Automatic Bleeder	\$66.93
CH-MBVA-1	Manual Bleeder valve	7.17
CH-MBVA-3	OEM Style Manual Bleeder Valve	46.52
CH-SL-2-1	Nylon Slug	0.96
CH-SS-3-1	Set Screw	1.86
MAJOR REPAIR KITS (SINGLE ACTING)		
Kits include: Packing, wipers, nylon bushings, snap rings, piston bearing, set screws and nylon slugs.		
CH-MRK-63	4" - 6"	\$382.45
CH-MRK-74	4" - 7"	352.01
CH-MRK-84	5" - 8"	619.45
CH-MRK-85	4" - 8"	746.73
CH-MRK-95	5" - 9-1/8"	1423.47
MAJOR REPAIR KITS (DOUBLE ACTING)		
CH-DAT-MRK-53	3" - 5"	\$1109.72
CH-DAT-MRK-63	4" - 6"	1211.18
CH-DAT-MRK-64	3" - 6"	1440.06
CH-DAT-MRK-74	4" - 7"	1633.65
CH-DAT-MRK-84	5" - 8"	1787.01
CH-DAT-MRK-85	4" - 8"	2177.73
CH-DAT-MRK-96	4" - 9-1/8"	3617.56

CUSTOM HOISTS PISTON-ROD CYLINDERS

Kit Number	Cylinder Number	Code (Pg. 14)	Rod X Bore Size	List Price
CH-SK-3-23		I-U-10	2 X 3	\$42.09
CH-SK-3-24		I-U-10	1-3/4 X 3	30.04
CH-SK-4-4	DA4-77-14	I-V-5	1-3/4 X 4	75.60
CH-SK-4-5	DA4-107-24	I-U-5	2-1/2 X 4	89.35
CH-SK-4-6	DA4-104-48	I-U-5	2 X 4	91.67
CH-SK-4-13	DA4-126-28	I-U-5	2-3/4 X 4	88.89
CH-SK-4-19	SA4-11-25	I-V-1	4" Rod Kit	55.06
CH-SK-4-21	DA4-142-21-1/2	I-V-10	2-1/2 X 4	71.60
CH-SK-4-23	DA4-171-27-3/4	I-V-10,12	2-3/4 X 4	80.43
CH-SK-4-49		I-V-10	2-3/4 X 4	58.58
CH-SK-4-53		I-UB-10,12	2 X 4	84.20
CH-SK-4-1/2-6	DA4-1/2-21	I-U-11	2 X 4-1/2	134.63
CH-SK-4-1/2-8	DA4-1/2-41-48-5/8	P-U-12	2 X 4-1/2	199.37
CH-SK-4-1/2-15	DA4-1/2-44-21	I-V-5	3 X 4-1/2	103.64
CH-SK-4-1/2-26		P-UB-10, 12	2 X 4-1/2	114.70
CH-SK-4-1/2-29		I-V-10, 12	2 X 4-1/2	146.90
CH-SK-5-1	DA5-67-14	I-U-5	2 X 5	88.36
CH-SK-5-12	DA5-144-36	I-V-11,12	2-1/2 X 5	194.96
CH-SK-5-13	DA5-47-27	I-V-5	3 X 5	149.08
CH-SK-5-21	DA5-130-16	I-V-5	2-1/2 X 5	138.55
CH-SK-5-28	DA5-41-19,20,23	I-V-5	3 X 5	140.83
CH-SK-5-35	DA5-4-26	I-V-9	2-1/2 X 5	167.19
CH-SK-5-1/2-25		I-V-10,12	2-1/2 X 5-1/2	115.27
CH-SK-6-1	DA6-60, DA6-88, DA6-90	I-V-1	4-1/2 X 6	66.32
CH-SK-6-11	DA6-39-78	I-V-5	4-1/2 X 6	268.88
CH-SK-6-15		I-V-5	3-1/2 X 6	157.62
CH-SK-6-2	DA6-39-78, DA-87-67	I-U-12	4-1/2 X 6	195.43
CH-SK-6-22	DA6-140	I-V-5	4 x 6	134.31
CH-SK-6-23	DA6-92-46,62,68	I-V-12	4-1/2 X 6	203.40

Kit Number	Cylinder Number	Code (Pg. 14)	Rod X Bore Size	List Price
CH-SK-6-26	DA6-73-34	I-V-5	2-1/2 X 6	\$121.56
CH-SK-6-29	DA6-158-42	I-U-5	2-3/4 X 6	155.36
CH-SK-6-30	DA6-49-78	I-U-12	4 X 6	185.70
CH-SK-6-31	DA6-40-108	I-U-12	4-1/2 X 6	237.56
CH-SK-6-33		I-U-1	4" Rod Kit	42.83
CH-SK-6-34	DA6-100-63	I-V-10	4 X 6	164.70
CH-SK-6-42	DA6-188-60, DA6-188-52-/12, DA6-194-72	I-V-5	4 X 6	127.37
CH-SK-6-44	DA6-203-42	I-V-5	2-3/4 X 6	158.55
CH-SK-6-54	DA6-9-60-1/2, DA6-9-70-1/2	I-V-10	4 X 6	199.28
CH-SK-6-6	DA6-47-47	P-V-5	4 X 6	132.80
CH-SK-6-8	DA6-68-79	I-U-5	4 X 6	131.98
CH-SK-6-84		I-U-10	5 X 6	99.42
CH-SK-7-1	DA7-5	I-U-12	5-1/2 X 7	322.17
CH-SK-7-16	DA7-4-23	I-V-5	3 X 7	149.54
CH-SK-7-17	DA7-78-79	I-V-5	4 X 7	156.15
CH-SK-7-18	DA-7-29	I-U-10	5-1/2 X 7	239.08
CH-SK-7-20	DA7-36-78,	I-U-12	4-1/2 X 7	222.09
CH-SK-7-34		I-V-4, 12	2-1/2 X 7	227.12
CH-SK-7-35	DA7-121,78,83 or 55	I-U-10	4-1/2 X 7	206.39
CH-SK-7-43		I-U-4	2 X 7	99.60
CH-SK-7-5	DA7-36-115	I-U-12	4-1/2 X 7	242.83
CH-SK-7-9	DA7-63	I-U-10	4-1/2 X 7	242.21
CH-SK-8-1		I-V-4	3 X 8	185.61
CH-SK-8-21	DA8-16-25	I-V-12	2-1/2 X 8	210.55
CH-SK-8-3		I-U-5	3 X 8	205.03
CH-SK-9-2	DA9-19-19	I-V-5	3-1/2 X 9	372.34
CH-SK-42-60	42-60-43 or CH-475 3"-4" Vee Set & Wiper Telescopic			65.62

DEMPSTER REFUSE TRUCKS

Repair parts for Dempster Refuse Trucks are available online at www.HerculesUS.com or by contacting the Hercules Sales Team at the information provided below.

DENSMORE

Repair parts for Denstore are available online at www.HerculesUS.com or by contacting the Hercules Sales Team at the information provided below.

DOOSAN INFRACORE

Repair parts for Doosan Infracore are available online at www.HerculesUS.com or by contacting the Hercules Sales Team at the information provided below.

DRILTECH

Kit Number	Code (Pg. 14)	Rod X Bore Size	List Price
DT-1027-088	I-V-9	2-1/2 X 5	\$248.70
DT-1029-085	I-V-9	3 X 4-1/2	235.40
DT-12471-058	I-V-9	3-3/4 X 5	489.99
DT-1974-065	I-V-9	3 X 5	314.75
DT-3130-077	I-V-9	3 X 5	272.51

DYNAHOE

Kit Number	Code (Pg. 14)	Rod X Bore Size	List Price
DH-116613	P-U-10	3 X 6	\$124.32
DH-116840	P-U-10	2-1/2 X 4	81.18

EATON-YALE, TIMBERJACK

Kit Number	Code (Pg. 14)	Rod X Bore Size	List Price
EY-2106793	P-U-10	1-1/2 X 3	\$71.07
EY-6955800	I-U-10	2 X 3-1/2	90.94
EY-6955804	I-U-10	2-1/4 X 5	138.37
EY-6955805	I-U-10	2-1/2 X 5-1/2	142.60

EDBRO

Kit Number	Bore	Lip Hgt.	Thick-ness	Hole Size	List Price
9200-062ED	2	7/8	7/32	5/8	\$25.02
9262-087ED	2-5/8	7/8	7/32	7/8	46.04
9325-100ED	3-1/4	7/8	7/32	1	49.62
9387-112ED	3-7/8	7/8	7/32	1-1/8	56.72
9475-125ED	4-3/4	7/8	7/32	1-1/4	68.28
9575-150ED	5-3/4	7/8	7/32	1-1/2	80.98

EFFER CRANES

Kit Number	Code (Pg. 14)	Rod X Bore Size	List Price
EF-2160990	I-U-15	100 X 140 mm	\$156.45
EF-2166980	I-U-15	35 X 50 mm	81.39
EF-2261990	I-U-15	130 X 220 mm	274.31
EF-2565990	I-U-15	70 X 90 mm	100.46
EF-2663990	I-U-15	65, 125, X 95, 150 mm	251.48
EF-2761990	I-U-15	110 X 150 mm	210.29
EF-3461990	I-U-15	90 X 130 mm	155.54
EF-3760990	I-U-15	120 X 170 mm	196.24
EF-3761990	I-U-15	90 X 130 mm	155.54
EF-3764990	N-N-15	130 mm PISTON	142.44
EF-3861990	I-U-15	65 X 100 mm	114.83
EF-4464990	N-N-15	130 mm PISTON	247.09
EF-4469990	I-U-15	35, 75, 120 X 55, 90, 135 mm	316.06
EF-8086500	N-N-15	95, 150 PISTONS	253.71
EF-8087300	N-N-15	130 mm PISTON	62.56

ENERGY

Kit Number	Code (Pg. 14)	Rod X Bore Size	List Price
EN-12621X	I-U-3	2 X 4	\$71.93
EN-A2430	P-OB-3	1-1/8 X 2	14.56
EN-A2859	P-U-3	1-1/4 X 3	26.51
EN-A7564	P-U-3	1-1/2 X 4	38.18

ENERPAC

EUCLID TRUCKS

NOTE: ENERPAC part numbers are used as a reference only. We do not imply that these kits are original REPLACEMENT PARTS.

Kit Number	Code (Pg. 14)	Rod X Bore Size	List Price
EPC-RC1006K	I-N-4	5-1/8	\$135.26
EPC-RC102K	I-N-4	1-11/16	49.82
EPC-RC15K1	I-N-4	2	77.62
EPC-RC2510K	I-N-4	2-1/2	78.21
EPC-RC308K	I-N-4	2-7/8	119.35
EPC-RC506K	I-N-4	3-3/4	88.62
EPC-RC50K1	N-N-4	1-1/8	28.05
EPC-RC53K	I-N-4	1-1/8	37.46
EPC-RC756K	I-N-4	4-1/2	207.81
EPC-RCH121K1	N-U-4	1 X 1-7/8	66.47

Kit Number	Code (Pg. 14)	Description	List Price
EUC-12977806		Multi-Stage Kit 4, 6.5, 8.5	\$929.95
EUC-4046574		Multi-Stage Kit 6.25, 7, 8.25, 9, 10.5, 11	1739.89
EUC-603323		Multi-Stage Kit 4, 6, 8	783.47
EUC-E12590794	P-U-10	2 X 4	95.78
EUC-E12631739	I-UB-11	6 X 8	1418.04
EUC-R22HOIST		Multi-Stage Kit 4, 6.5, 8.5	446.16
EUC-R50HOIST		Multi-Stage Kit 3, 6, 8	326.03

ESCO

Repair parts for Escos are available online at www.HerculesUS.com or by contacting the Hercules Sales Team at the information provided below.

FASSI-CRANE

Kit Number	Code (Pg. 14)	Rod X Bore Size	List Price
FAS-GSC-21	I-U-1	25 mm Rod Kit	\$41.26
FAS-GSC-23	N-N-15	110 mm Piston Kit	217.09
FAS-GSC-33	N-N-15	160 mm Bore	67.78
FAS-GSC-35	N-N-15	80 mm Piston Kit	56.43
FAS-GSC-36	N-N-15	95 mm Piston Kit	80.03
FAS-GSC-56	I-U-15	80 X 95 mm	109.63
FAS-GSC-57	I-U-15	70 X 80 mm	64.74
FAS-GSC-62	I-U-15	80 X 95 mm	101.36
FAS-GSC-125	I-U-15	95 X 140 mm	264.41
FAS-GSC-138	I-U-15	50 X 75 mm	116.88
FAS-GSC-140	I-U-1	30 mm Rod Kit	48.94
FAS-GSC-152		O-Ring Kit	13.98
FAS-GSC-156	I-U-15	60, 95 mm Stages	336.63
FAS-GSC-157	I-U-15	95 X 100 mm	252.10
FAS-GSC-158	I-U-15	60 X 90 mm	272.65
FAS-GSC-161	I-U-15	35 X 60 mm	62.20
FAS-GSC-162	I-U-15	35, 70 mm Stages	181.51
FAS-GSC-202	N-N-15	130 mm Rod Kit	136.69
FAS-GSC-203	I-U-15	100 X 170 mm	154.37
FAS-GSC-217	N-N-15	150 mm Piston Kit	160.14
FAS-GSC-228	I-U-15	55 X 95 mm	84.43
FAS-GSC-245	I-U-15	55 X 85 mm	99.56
FAS-GSC-277	I-U-15	45 X 70 mm	97.58
FAS-GSC-279	I-U-15	55 X 85 mm	108.37
FAS-GSC-288	I-U-15	120 x 190 mm	250.87

FIAT-ALLIS

KITS

Kit Number	Code (Pg. 14)	Rod X Bore Size	List Price
FA-790458-11-1	P-U-13	70 X 125mm	\$342.06

BACK-UP RINGS

Part Number	Min. Pkgs.	List Price
FA-79076127	1	\$9.44
FA-8292276	1	9.44
FA-8298072	1	28.58

O-RINGS

Part Number	Min. Pkgs.	List Price
FA-8292274	5	\$4.51

PISTON SEALS

Part Number	Bore Dia.	List Price
FA-8292275	180 mm	\$110.32

U-SEALS

Part Number	Rod Dia.	List Price
FA-79031333	90 mm	\$37.14

RETAINER RINGS

Part Number	List Price
FA-70925993	\$2.64
FA-70925994	4.96
FA-70925995	4.96
FA-70925996	5.08
FA-70926385	6.34
FA-70926776	1.08
FA-70926800	1.08
FA-70927575	1.54
FA-70927690	1.08
FA-70927691	1.14
FA-70927692	1.68
FA-70927693	1.25
FA-70927695	2.30
FA-70927696	2.30
FA-70927700	2.82
FA-70927701	4.63
FA-70927702	4.96
FA-70927704	5.47
FA-70928826	1.54
FA-70935974	4.33

FIAT-HITACHI

Excavators						
APPLICATION	CODE	ROD	BORE	MISC	KIT #	List \$
MODEL FH120, FH130-1, FH130-2						
ARM	P-UB-1	80 mm			FH-71400106	117.73
	N-N-14		115 mm		FH-71400116	182.03
	Bushing	80 mm			FH-71400109	49.19
BOOM	I-UB-1	75 mm			FH-71400089	106.51
	N-N-14		105 mm		FH-71400092	245.09
	Bushing	75 mm			FH-71400087	48.49
BUCKET	P-UB-1	65 mm			FH-71400056	103.86
	N-N-14		95 mm		FH-71400069	123.74
	Bushing	65 mm			FH-71400058	38.92
MODEL FH130-3						
ARM	P-UB-1	80 mm			FH-71445694	161.65
	N-N-14		115 mm		FH-71445785	205.16
	Bushing	80 mm			FH-71447625	44.81
BOOM	I-UB-1	75 mm			FH-71445759	89.96
	N-N-10		105 mm		FH-71445781	188.69
	Bushing	75 mm			FH-71447626	48.49
BUCKET	P-UB-1	65 mm			FH-71445753	79.03
	N-N-10		95 mm		FH-71445777	104.97
	Bushing	65 mm			FH-71447627	39.87
MODEL FH150-1, FH150-1W, FH150-2						
ARM	P-UB-1	85 mm			FH-71400199	133.67
	N-N-14		120 mm		FH-71400231	248.39
	Bushing	85 mm			FH-71400202	53.66
BOOM	P-UB-1	80 mm			FH-71400106	117.73
	N-N-14		115 mm		FH-71400116	182.03
	Bushing	80 mm			FH-71400109	49.19
BUCKET	P-UB-1	80 mm			FH-71400106	117.73
	N-N-14		115 mm		FH-71400116	182.03
	Bushing	80 mm			FH-71400109	49.19
MODEL FH150-3						
ARM	P-UB-1	85 mm			FH-71445728	146.27
	N-N-14		120 mm		FH-71445708	234.26
	Bushing	85 mm			FH-71447620	50.26
BOOM	P-UB-1	80 mm			FH-71445694	161.65
	N-N-14		115 mm		FH-71445785	205.16
	Bushing	80 mm			FH-71447625	44.81
BUCKET	P-UB-1	80 mm			FH-71445694	161.65
	N-N-14		115 mm		FH-71445785	205.16
	Bushing	80 mm			FH-71447625	44.81
MODEL FH200-1, FH200-2						
ARM	P-UB-1	95 mm			FH-71400186	140.87
	N-N-14		135 mm		FH-71400161	237.77
	Bushing	95 mm			FH-71400189	64.22
BOOM	P-UB-1	85 mm			FH-71400199	133.67
	Bushing	85 mm			FH-71400202	53.66
BUCKET	P-UB-1	80 mm			FH-71400106	117.73
	N-N-14		120 mm		FH-71400231	248.39
	Bushing	80 mm			FH-71400109	49.19
MODEL FH200-3						
ARM	P-UB-1	95 mm			FH-71445615	188.03
	N-N-14		135 mm		FH-71445801	299.78
	Bushing	95 mm			FH-71447621	54.60
BOOM	P-UB-1	85 mm			FH-71445728	146.27
	N-N-14		120 mm		FH-71445708	234.26
	Bushing	85 mm			FH-71447620	50.26
BUCKET	P-UB-1	80 mm			FH-71445694	161.65
	N-N-14		120 mm		FH-71445708	234.26
	Bushing	80 mm			FH-71447625	44.81

FIAT-HITACHI

FIAT-HITACHI

Excavators						
APPLICATION	CODE	ROD	BORE	MISC	KIT #	List \$
MODEL FH220-1, FH220-2						
ARM	P-UB-1	100 mm			FH-71400133	150.11
	N-N-14		145 mm		FH-71400137	332.40
	Bushing	100 mm			FH-71400125	86.17
BOOM	P-UB-1	90 mm			FH-71400152	146.91
	N-N-14		135 mm		FH-71400161	237.77
	Bushing	90 mm			FH-71400155	61.90
BUCKET	P-UB-1	90 mm			FH-71400152	146.91
	N-N-14		135 mm		FH-71400161	237.77
	Bushing	90 mm			FH-71400155	61.90
MODEL FH220-3						
ARM	P-UB-1	100 mm			FH-71445765	194.49
	N-N-14		145 mm		FH-71445811	386.98
	Bushing	100 mm			FH-71447902	74.09
BOOM	P-UB-1	90 mm			FH-71445647	168.60
	N-N-14		135 mm		FH-71445801	299.78
	Bushing	90 mm			FH-71447622	48.00
BUCKET	P-UB-1	90 mm			FH-71445647	168.60
	N-N-14		135 mm		FH-71445801	299.78
	Bushing	90 mm			FH-71447622	48.00
MODEL FH300-1, FH300-2						
ARM	P-UB-1	110 mm			FH-71400275	183.69
	N-N-14		165 mm		FH-71400282	351.40
	Bushing	110 mm			FH-71400278	122.35
BOOM	P-UB-1	100 mm			FH-71400133	150.11
	N-N-14		145 mm		FH-71400137	332.40
	Bushing	100 mm			FH-71400125	86.17
BUCKET	P-UB-1	95 mm			FH-71400186	140.87
	N-N-14		145 mm		FH-71400137	332.40
	Bushing	95 mm			FH-71400189	64.22

REPLACEMENT KITS FOR FIAT-HITACHI

Kit Number	Code (Pg. 14)	Rod Diameter	Bore Diameter	List Price
FH-71400056	P-UB-1	65 mm		\$103.86
FH-71400069	N-N-14		95 mm	123.74
FH-71400089	I-UB-1	75 mm		106.51
FH-71400092	N-N-14		105 mm	245.09
FH-71400106	P-UB-1	80 mm		117.73
FH-71400116	N-N-14		115 mm	182.03
FH-71400133	P-UB-1	100 mm		150.11
FH-71400137	N-N-14		145 mm	332.40
FH-71400152	P-UB-1	90 mm		146.91
FH-71400161	N-N-14		135 mm	237.77
FH-71400186	P-UB-1	95 mm		140.87
FH-71400199	P-UB-1	85 mm		133.67
FH-71400231	N-N-14		120 mm	248.39
FH-71400275	P-UB-1	110 mm		183.69
FH-71400282	N-N-14		165 mm	351.40
FH-71400375	P-UB-1	95 mm		62.16
FH-71408744	P-UB-1	70 mm		77.57
FH-71408756	N-N-10		105 mm	140.93
FH-71408778	P-UB-1	80 mm		82.82
FH-71408806	P-UB-1	65 mm		70.81
FH-71408811	N-N-10		95 mm	122.70
FH-71418431	P-UB-1	95 mm		91.25
FH-71418444	N-N-10		130 mm	122.65
FH-71418514	N-N-10		110 mm	124.61
FH-71418534	P-UB-1	90 mm		87.05
FH-71418539	O-rings + Back-ups		145 mm	5.85

Kit Number	Code (Pg. 14)	Rod Diameter	Bore Diameter	List Price
FH-71418542	N-N-10		145 mm	\$170.09
FH-71445615	P-UB-1	95 mm		188.03
FH-71445647	P-UB-1	90 mm		168.60
FH-71445694	P-UB-1	80 mm		161.65
FH-71445708	N-N-10		120 mm	234.26
FH-71445728	P-UB-1	85 mm		146.27
FH-71445742	N-N-10		125 mm	106.31
FH-71445753	P-UB-1	65 mm		79.03
FH-71445759	I-UB-1	75 mm		89.96
FH-71445765	P-UB-1	100 mm		194.49
FH-71445777	N-N-10		95 mm	104.97
FH-71445781	N-N-10		105 mm	188.69
FH-71445785	N-N-10		115 mm	205.16
FH-71445801	N-N-10		135 mm	299.78
FH-71445811	N-N-10		145 mm	386.98
FH-71445827	O-rings + Back-ups			13.10
FH-71445830	O-rings + Back-ups			17.38
FH-71452214	O-rings + Back-ups		170 mm	10.15
FH-71465022	P-UB-1	100 mm		90.22
FH-71466446	N-N-10		115 mm	152.29
FH-71470391	P-UB-1	105 mm		115.18
FH-71470396	P-UB-1	115 mm		140.16
FH-71470402	N-N-10		150 mm	200.77
FH-71470405	N-N-10		170 mm	223.70
FH-71470408	O-rings + Back-ups		150 mm	6.68

REPLACEMENT PARTS FOR FIAT-HITACHI

NOTE: Fiat-Hitachi part numbers are used as a reference only. We do not imply that these kit are original REPLACEMENT PARTS.

O-RINGS

Part Number	Min. Pkgs.	List Price
FH-14472980	10	\$1.83
FH-14473180	10	1.83
FH-14473280	10	2.05
FH-14474480	5	2.33
FH-14474780	5	2.62
FH-14475380	5	3.24
FH-71400066	1	2.44
FH-71400090	5	2.80

ROD BUSHINGS

Part Number	Rod Diameter	List Price
FH-71400058	65 mm	\$38.92
FH-71447627	65 mm	39.87
FH-71400087	75 mm	48.49
FH-71447626	75 mm	48.49
FH-71400109	80 mm	49.19
FH-71447625	80 mm	44.81
FH-71400202	85 mm	53.66
FH-71447620	85 mm	50.26
FH-71400155	90 mm	61.90
FH-71447622	90 mm	48.00
FH-71400189	95 mm	64.22
FH-71447621	95 mm	54.60
FH-71400125	100 mm	86.17
FH-71447902	100 mm	74.09
FH-71400278	110 mm	122.35

FMC

Kit Number	Code (Pg. 14)	Rod X Bore Size	List Price
FMC-232-7178-090	N-U,V-3	5/8 X 1-1/2	\$48.10
FMC-238-0858-090	P-V-7	2-1/2 X 5	157.56
FMC-238-4389-090	I-U-10	2-1/2 X 5	57.85
FMC-238-4529-090	P-V-7	1-1/2 X 4	154.46
FMC-239-4563-091	O-RING KIT		7.40
FMC-239-8317-090	I-V-5	1 X 2	71.08
FMC-360-4-0006	I-V-1	4-1/2 X 5	92.64
FMC-3X0094	P-U-10	1-1/2 X 3	43.76
FMC-507065	I-U-10	1-1/4 X 3	44.29
FMC-514-0246-090	I-U-4	2-1/2 X 5	78.42
FMC-514-0247-090	I-U-5	2-1/2 X 5	91.49
FMC-514-0844-090	I-U-1	2-1/2 X 3-1/2	63.16
FMC-514-0856-090	I-V-1	4-1/2 ROD KIT	123.54
FMC-514-1536-090	I-U-4	1-1/2 X 3-1/2	76.00
FMC-515-4130-090	I-V-5	2-1/2 X 5	117.75
FMC-515-6322-090	I-V-1	4-1/2 ROD KIT	82.60
FMC-515-8903-090	I-U-10	1-1/8 X 2-1/2	47.96
FMC-517-2118	P-U-5	1-1/4 X 3	84.84
FMC-517-2880	P-OB-3	1-1/4 X 3	21.43
FMC-519-9547-090	N-N-5	8" PISTON KIT	199.61
FMC-519-9548-090	P-U-10	3-1/2 X 6	91.49
FMC-519-9887-090	I-U-11	1-1/4 X 3	60.86
FMC-620-0104-090	I-U-11	3/4 X 1-1/2	29.56
FMC-620-0188-090	I-U-4	3 X 5	144.62
FMC-620-0190-090	I-U-4	2 X 3-1/2	75.25
FMC-620-0236-090	I-U-5	2 X 3-1/2	90.00
FMC-620-0307-090	I-U-11	1/2 X 1	39.64
FMC-620-0736-090	I-U-11	1-1/4 X 2	28.37
FMC-620-1545-090	I-U-5	3 X 4	184.28
FMC-620-1571-090	I-U-1	2-1/2 X 3	32.41
FMC-621-3234-090	I-U-1	2-1/2	27.22
FMC-621-5638-090	I-U-10	3/4 X 1-1/2	177.67
FMC-621-5639-090	I-U-10	3/4 X 1-1/2	24.63
FMC-621-5641-090	I-U-1	2-1/2 ROD KIT	97.36
FMC-621-5644-090	I-U-10	3 X 5	133.19
FMC-621-5645-090	I-U-10	2 X 3-1/2	108.12
FMC-621-5646-090	I-U-10	2 X 3-1/2	108.12
FMC-621-5658	O-RING KIT		8.40
FMC-624-0850-090	I-U-1	2-1/2 X 85 mm	26.86

FONTAINE

Kit Number	Description	List Price
FNT-38	3" - 8" Vee Sets & Wipers	\$383.90
FNT-3VSW	3" Vee Set & Wiper	86.98
FNT-46	4" - 6" Vee Sets & Wipers	171.08
FNT-48	4" - 8" Vee Sets & Wipers	502.93
FNT-4VSW	4" Vee Set & Wiper	95.17
FNT-58	5" - 8" Vee Sets & Wipers	426.78
FNT-5VSW	5" Vee Set & Wiper	103.70
FNT-6VSW	6" Vee Set & Wiper	131.74
FNT-7VSW	7" Vee Set & Wiper	119.35
FNT-8VSW	8" Vee Set & Wiper	143.69

REPLACEMENT SEAL KITS FOR FORD EQUIPMENT*

Replacement Seal Kits By Machine Type

Table of Contents

Machine Type	Page
Backhoe Loaders	528 - 537
340, 540, 340A, 540A, 340B, 540B, 445, 445A, 445C, 445D, 450, 455, 455C, 455D, 545, 545A, 545C, 545D, 550, 555, 555A, 555A-XL, 555B, 555C, 555D, 555E, 575D, 575E, 650, 655, 655A, 655C, 655D, 655E, 675D, 675E, 730, 740, 750, 753, 755, 755A, 755B, 5500-5550, 6500, 7500, A62, A64, A66	
Tractors	537 - 538
2600, 3600, 4600, 4600-SU, 3400, 3500, 3550, 4400, 4500, 5600, 6600, 7600	
Alpha-Numeric Kit Listing	539
Ford Individual Parts	540

FORD

*All manufacturer's names, part numbers and descriptions are used for reference purposes only. We do not imply that any part shown is the product of these manufacturers. We also do not imply that the list price shown is exactly that of the manufacturer.

Replacement Kits For

FORD

Backhoe Loaders								
APPLICATION	CYL #	Piston Type	SERIAL #	CODE	ROD	BORE	KIT #	List \$
MODEL 340, 540								
BACKHOE BUCKET	D8NN-B576-FB	1pc	78/9-81	P-UV-10	63 mm	90 mm	FD-251321	236.09
BACKHOE CROWD	D8NN-B578-AA	2pc	78/9-81	P-V-9	50 mm	100 mm	FD-251035	522.34
	D8NN-B578-AA	1pc	78/9-81	P-SP-10	50 mm	100 mm	FD-251316	324.78
	D8NN-B578-CC	2pc	78/9-81	P-UV-9	63 mm	115 mm	FD-251036	310.82
	D8NN-B578-CC	1pc	78/9-81	P-UV-10	63 mm	115 mm	FD-251319	195.09
BACKHOE LIFT	D8NN-B577-BB	2pc	78/9-81	P-UV-9	56 mm	115 mm	FD-251034	339.04
	D8NN-B577-BB	1pc	78/9-81	P-UV-10	56 mm	115 mm	FD-251318	250.74
	D8NN-B577-CB	2pc	78/9-81	P-V-9	50 mm	100 mm	FD-251035	522.34
	D8NN-B577-CB	1pc	78/9-81	P-SP-10	50 mm	100 mm	FD-251316	324.78
BACKHOE STABILIZER	D8NN-B580-AA	2pc to 1pc	78/9-81	P-SP-10	50 mm	100 mm	FD-251339	270.07
	D8NN-B580-AA	2pc	78/9-81	P-UV-8	50 mm	100 mm	FD-251038	217.88
BACKHOE SWING	D8NN-B579-BE		78/9-81	P-UV-9	56 mm	110 mm	FD-251037	354.36
LOADER BUCKET	D8NN-L903-FC		3-81/9-81	P-U-10	35 mm	60 mm	FD-251369	69.40
LOADER LIFT	D8NN-L905-FD		3-81/9-81	P-SP-10	40 mm	60 mm	FD-251370	77.99
MODEL 340A, 540A								
BACKHOE BUCKET	D8NN-B576-EC	1pc	84/5-85	P-UV-10	63 mm	90 mm	FD-251321	236.09
	D8NN-B576-FB	1pc	10-81/5-85	P-UV-10	63 mm	90 mm	FD-251321	236.09
BACKHOE CROWD	D8NN-B578-AA	1pc	10-81/5-85	P-SP-10	50 mm	100 mm	FD-251316	324.78
	D8NN-B578-AB	1pc	82/5-85	P-SP-10	50 mm	100 mm	FD-251316	324.78
	D8NN-B578-CC	1pc	10-81/5-85	P-UV-10	63 mm	115 mm	FD-251319	195.09
BACKHOE LIFT	D8NN-B577-BB	1pc	10-81/5-85	P-UV-10	56 mm	115 mm	FD-251318	250.74
	D8NN-B577-CB	1pc	10-81/5-85	P-SP-10	50 mm	100 mm	FD-251316	324.78
BACKHOE STABILIZER	D8NN-B580-AA	2pc to 1pc	10-81/1-83	P-SP-10	50 mm	100 mm	FD-251339	270.07
	D8NN-B580-AA	2pc	10-81/1-83	P-UV-8	50 mm	100 mm	FD-251038	217.88
	D8NN-B580-AD	1pc	2-83/5-85	P-UV-10	56 mm	100 mm	FD-251315	162.54
BACKHOE SWING	D8NN-B579-BE		10-81/8-82	P-UV-9	56 mm	110 mm	FD-251037	354.36
	E0NN-B579-BB		9-82/5-85	P-UV-10	50 mm	110 mm	FD-251303	175.76
LOADER BUCKET	D8NN-L903-FC		10-81/5-85	P-U-10	35 mm	60 mm	FD-251369	69.40
LOADER LIFT	D8NN-L905-FD		10-81/5-85	P-SP-10	40 mm	60 mm	FD-251370	77.99
MODEL 340B, 540B								
BACKHOE BUCKET	D8NN-B576-EC	1pc	6-85/11-88	P-UV-10	63 mm	90 mm	FD-251321	236.09
	D8NN-B576-FB	1pc	6-85/11-88	P-UV-10	63 mm	90 mm	FD-251321	236.09
BACKHOE CROWD	D8NN-B578-AA	1pc	6-85/11-88	P-SP-10	50 mm	100 mm	FD-251316	324.78
	D8NN-B578-AB	1pc	6-85/11-88	P-SP-10	50 mm	100 mm	FD-251316	324.78
	D8NN-B578-CC	1pc	6-85/11-88	P-UV-10	63 mm	115 mm	FD-251319	195.09
BACKHOE LIFT	D8NN-B577-BB	1pc	6-85/11-88	P-UV-10	56 mm	115 mm	FD-251318	250.74
	D8NN-B577-CB	1pc	6-85/11-88	P-SP-10	50 mm	100 mm	FD-251316	324.78
BACKHOE STABILIZER	D8NN-B580-AD	1pc	6-85/6-87	P-UV-10	56 mm	100 mm	FD-251315	162.54
	E4NN-B580-AA	1pc	7-87/11-88	P-UV-10	56 mm	100 mm	FD-251315	162.54
BACKHOE SWING	E0NN-B579-BB		6-85/11-88	P-UV-10	50 mm	110 mm	FD-251303	175.76
LOADER BUCKET	D8NN-L903-FC		6-85/11-88	P-U-10	35 mm	60 mm	FD-251369	69.40
LOADER LIFT	D8NN-L905-FD		6-85/11-88	P-SP-10	40 mm	60 mm	FD-251370	77.99
MODEL 445								
BACKHOE BUCKET	D8NN-B576-EC	1pc	84/5-85	P-UV-10	63 mm	90 mm	FD-251321	236.09
	D8NN-B576-FB	1pc	78/5-85	P-UV-10	63 mm	90 mm	FD-251321	236.09
BACKHOE CROWD	D8NN-B578-AA	2pc	78/11-81	P-V-9	50 mm	100 mm	FD-251035	522.34
	D8NN-B578-AA	1pc	78/5-85	P-SP-10	50 mm	100 mm	FD-251316	324.78
	D8NN-B578-AB	1pc	82/5-85	P-SP-10	50 mm	100 mm	FD-251316	324.78
	D8NN-B578-CC	2pc	78/11-81	P-UV-9	63 mm	115 mm	FD-251036	310.82
	D8NN-B578-CC	1pc	78/5-85	P-UV-10	63 mm	115 mm	FD-251319	195.09
BACKHOE LIFT	D8NN-B577-BB	2pc	78/11-81	P-UV-9	56 mm	115 mm	FD-251034	339.04
	D8NN-B577-BB	1pc	78/5-85	P-UV-10	56 mm	115 mm	FD-251318	250.74
	D8NN-B577-CB	2pc	78/11-81	P-V-9	50 mm	100 mm	FD-251035	522.34
	D8NN-B577-CB	1pc	78/5-85	P-SP-10	50 mm	100 mm	FD-251316	324.78
BACKHOE STABILIZER	D8NN-B580-AA	2pc to 1pc	78/1-83	P-SP-10	50 mm	100 mm	FD-251339	270.07

FORD

Replacement Kits For

FORD

Backhoe Loaders								
APPLICATION	CYL #	Piston Type	SERIAL #	CODE	ROD	BORE	KIT #	List \$
MODEL 445								
BACKHOE STABILIZER	D8NN-B580-AA	2pc	78/1-83	P-UV-8	50 mm	100 mm	FD-251038	217.88
	D8NN-B580-AD	1pc	2-83/5-85	P-UV-10	56 mm	100 mm	FD-251315	162.54
BACKHOE SWING	D8NN-B579-BE		78/8-82	P-UV-9	56 mm	110 mm	FD-251037	354.36
	E0NN-B579-BB		9-82/5-85	P-UV-10	50 mm	110 mm	FD-251303	175.76
LOADER BUCKET	D8NN-L903-AF		78/5-85	P-SP-10	40 mm	70 mm	FD-251072	60.38
	D8NN-L903-DD		78/5-85	P-SP-10	40 mm	70 mm	FD-251072	60.38
LOADER LIFT	D8NN-L905-DG		78/5-85	P-SP-10	50 mm	70 mm	FD-251162	68.50
MODEL 445A								
BACKHOE BUCKET	D8NN-B576-EC	1pc	6-85/12-86	P-UV-10	63 mm	90 mm	FD-251321	236.09
	D8NN-B576-FB	1pc	6-85/12-86	P-UV-10	63 mm	90 mm	FD-251321	236.09
BACKHOE CROWD	D8NN-B578-AA	1pc	6-85/12-86	P-SP-10	50 mm	100 mm	FD-251316	324.78
	D8NN-B578-AB	1pc	6-85/12-86	P-SP-10	50 mm	100 mm	FD-251316	324.78
	D8NN-B578-CC	1pc	6-85/12-86	P-UV-10	63 mm	115 mm	FD-251319	195.09
BACKHOE LIFT	D8NN-B577-BB	1pc	6-85/12-86	P-UV-10	56 mm	115 mm	FD-251318	250.74
	D8NN-B577-CB	1pc	6-85/12-86	P-SP-10	50 mm	100 mm	FD-251316	324.78
BACKHOE STABILIZER	D8NN-B580-AD	1pc	6-85/12-86	P-UV-10	56 mm	100 mm	FD-251315	162.54
BACKHOE SWING	E0NN-B579-BB		6-85/12-86	P-UV-10	50 mm	110 mm	FD-251303	175.76
LOADER BUCKET	D8NN-L903-AF		6-85/12-86	P-SP-10	40 mm	70 mm	FD-251072	60.38
	D8NN-L903-DD		6-85/12-86	P-SP-10	40 mm	70 mm	FD-251072	60.38
LOADER LIFT	D8NN-L905-DG		6-85/12-86	P-SP-10	50 mm	70 mm	FD-251162	68.50
MODEL 445C								
LOADER BUCKET	F1NN-L903-BA		3-89/6-91, 7-91/-	P-UB-10	40 mm	70 mm	FD-FP419	113.22
LOADER LIFT	F1NN-L905-BB		3-89/6-91, 7-91/11-91	P-UB-10	50 mm	70 mm	FD-FP459	107.57
MODEL 445D								
LOADER BUCKET	F1NN-L903-BA		7-91/	P-UB-10	40 mm	70 mm	FD-FP419	113.22
LOADER LIFT	F1NN-L905-BB		7-91/11-92, 12-92/-	P-UB-10	50 mm	70 mm	FD-FP459	107.57
MODEL 450								
BACKHOE BUCKET	D8NN-B576-EC	1pc	87/11-88	P-UV-10	63 mm	90 mm	FD-251321	236.09
	D8NN-B576-FB	1pc	87/11-88	P-UV-10	63 mm	90 mm	FD-251321	236.09
BACKHOE CROWD	D8NN-B578-AA	1pc	87/11-88	P-SP-10	50 mm	100 mm	FD-251316	324.78
	D8NN-B578-AB	1pc	87/11-88	P-SP-10	50 mm	100 mm	FD-251316	324.78
	D8NN-B578-CC	1pc	87/11-88	P-UV-10	63 mm	115 mm	FD-251319	195.09
BACKHOE LIFT	D8NN-B577-BB	1pc	87/11-88	P-UV-10	56 mm	115 mm	FD-251318	250.74
	D8NN-B577-CB	1pc	87/11-88	P-SP-10	50 mm	100 mm	FD-251316	324.78
BACKHOE STABILIZER	D8NN-B580-AD	1pc	1-87/6-87	P-UV-10	56 mm	100 mm	FD-251315	162.54
	E4NN-B580-AA	1pc	7-87/11-88	P-UV-10	56 mm	100 mm	FD-251315	162.54
BACKHOE SWING	E0NN-B579-BB		87/11-88	P-UV-10	50 mm	110 mm	FD-251303	175.76
LOADER BUCKET	D8NN-L903-DD		87/11-88	P-SP-10	40 mm	70 mm	FD-251072	60.38
LOADER LIFT	D8NN-L905-DG		87/11-88	P-SP-10	50 mm	70 mm	FD-251162	68.50
MODEL 455								
BACKHOE BUCKET	D8NN-B576-EC		7-87/11-88	P-UV-10	63 mm	90 mm	FD-251321	236.09
	D8NN-B576-FB		7-87/11-88	P-UV-10	63 mm	90 mm	FD-251321	236.09
BACKHOE CROWD	D8NN-B578-AB		7/87-11-88	P-SP-10	50 mm	100 mm	FD-251316	324.78
	E6NN-B578-AA		7/87-11-88	P-SP-10	50 mm	100 mm	FD-251316	324.78
BACKHOE EXTENDABLE DIPSTICK	E4NN-C492-AA		7-87/11-88	P-V-10	50 mm	80 mm	FD-251317	239.45
BACKHOE LIFT	E6NN-B577-AA		7-87/11-88	P-SP-10	50 mm	100 mm	FD-251316	324.78
	E9NN-B577-AA		7-87/11-88	P-SP-10	50 mm	100 mm	FD-251316	324.78
BACKHOE STABILIZER	E4NN-B580-AA		7-87/11-88	P-UV-10	56 mm	100 mm	FD-251315	162.54
BACKHOE SWING	E6NN-B579-AA		7-87/11-88	P-UV-10	50 mm	110 mm	FD-251303	175.76
LOADER BUCKET LH	E0NN-L904-AA		7-87/11-88	P-U-10	1-1/2	3	FD-251363	48.89
LOADER BUCKET RH	E0NN-L903-AA		7-87/11-88	P-U-10	1-1/2	3	FD-251363	48.89
LOADER LIFT	E4NN-L905-AA		7-87/11-88	P-U-10	2	3	FD-251362	47.20

FORD

Replacement Kits For

FORD

Backhoe Loaders								
APPLICATION	CYL #	Piston Type	SERIAL #	CODE	ROD	BORE	KIT #	List \$
MODEL 455C								
BACKHOE BUCKET	E7NN-B576-AB		12-88/8-92	P-U-10	63 mm	90 mm	FD-FP456	130.33
BACKHOE CROWD	E7NN-B578-BC		12-88/12-91	P-UB-10	63 mm	115 mm	FD-FP455	172.91
	F1NN-B578-BA		1-92/8-92	P-UB-10	63 mm	115 mm	FD-FP455	172.91
BACKHOE EXTENDABLE DIPSTICK	E7NN-C492-AB		12-88/8-92	P-UB-10	50 mm	80 mm	FD-FP457	96.36
BACKHOE LIFT	E7NN-B577-CC		12-88/12-91	P-UB-10	56 mm	115 mm	FD-FP454	254.79
	F1NN-B577-AA		1-92/8-92	P-UB-10	56 mm	115 mm	FD-FP454	254.79
BACKHOE STABILIZER	E7NN-B580-AE		12-88/4-92	P-UB-10	56 mm	100 mm	FD-FP458	186.66
	F1NN-B580-AA		5-92/8-92	P-UB-10	56 mm	100 mm	FD-FP458	186.66
BACKHOE SWING	E7NN-B579-AC		12-88/8-92	P-UB-10	50 mm	110 mm	FD-FP460	189.40
LOADER BUCKET	E7NN-L903-BA		12-88/6-91	P-UB-10	40 mm	80 mm	FD-85804740	104.92
	F1NN-L903-CA		7-91/8-92	P-UB-10	40 mm	80 mm	FD-85804740	104.92
LOADER LIFT	E7NN-L905-AC		12-88/8-92	P-UB-10	50 mm	80 mm	FD-FP417	109.81
MODEL 455D								
BACKHOE BUCKET	E7NN-B576-AB		9-92/	P-U-10	63 mm	90 mm	FD-FP456	130.33
BACKHOE CROWD	F1NN-B578-BA		9-92/	P-UB-10	63 mm	115 mm	FD-FP455	172.91
BACKHOE EXTENDABLE DIPSTICK	E7NN-C492-AB		9-92/8-93	P-UB-10	50 mm	80 mm	FD-FP457	96.36
	E7NN-C492-AD		9-93/	P-UB-10	50 mm	80 mm	FD-FP457	96.36
BACKHOE LIFT	F1NN-B577-AA		9-92/	P-UB-10	56 mm	115 mm	FD-FP454	254.79
BACKHOE STABILIZER	F1NN-B580-AA		9-92/8-93	P-UB-10	56 mm	100 mm	FD-FP458	186.66
	F2NN-B580-AA		9-93/	P-UB-10	56 mm	100 mm	FD-FP458	186.66
BACKHOE SWING	E7NN-B579-AC		9-92/8-93	P-UB-10	50 mm	110 mm	FD-FP460	189.40
	E7NN-B579-AD		9-93/	P-UB-10	50 mm	110 mm	FD-FP460	189.40
LOADER BUCKET	F1NN-L903-CA		9-92/	P-UB-10	40 mm	80 mm	FD-85804740	104.92
LOADER LIFT	E7NN-L905-AC		9-92/	P-UB-10	50 mm	80 mm	FD-FP417	109.81
MODEL 545								
BACKHOE BUCKET	D8NN-B576-EC	1pc	84/5-85	P-UV-10	63 mm	90 mm	FD-251321	236.09
	D8NN-B576-FB	1pc	78/5-85	P-UV-10	63 mm	90 mm	FD-251321	236.09
BACKHOE CROWD	D8NN-B578-AA	2pc	78/11-81	P-V-9	50 mm	100 mm	FD-251035	522.34
	D8NN-B578-AA	1pc	78/5-85	P-SP-10	50 mm	100 mm	FD-251316	324.78
	D8NN-B578-AB	1pc	82/5-85	P-SP-10	50 mm	100 mm	FD-251316	324.78
	D8NN-B578-CC	2pc	78/11-81	P-UV-9	63 mm	115 mm	FD-251036	310.82
	D8NN-B578-CC	1pc	78/5-85	P-UV-10	63 mm	115 mm	FD-251319	195.09
BACKHOE LIFT	D8NN-B577-BB	2pc	78/11-81	P-UV-9	56 mm	115 mm	FD-251034	339.04
	D8NN-B577-BB	1pc	78/5-85	P-UV-10	56 mm	115 mm	FD-251318	250.74
	D8NN-B577-CB	2pc	78/11-81	P-V-9	50 mm	100 mm	FD-251035	522.34
	D8NN-B577-CB	1pc	78/5-85	P-SP-10	50 mm	100 mm	FD-251316	324.78
BACKHOE STABILIZER	D8NN-B580-AA	2pc	78/1-83	P-UV-8	50 mm	100 mm	FD-251038	217.88
	D8NN-B580-AA	2pc to 1pc	78/1-83	P-SP-10	50 mm	100 mm	FD-251339	270.07
	D8NN-B580-AD	1pc	2-83/5-85	P-UV-10	56 mm	100 mm	FD-251315	162.54
BACKHOE SWING	D8NN-B579-BE		78/8-82	P-UV-9	56 mm	110 mm	FD-251037	354.36
	E0NN-B579-BB		9-82/5-85	P-UV-10	50 mm	110 mm	FD-251303	175.76
LOADER BUCKET	D8NN-L903-AF		78/5-85	P-SP-10	40 mm	70 mm	FD-251072	60.38
	D8NN-L903-CE		78/5-85	P-U-10	40 mm	80 mm	FD-251073	87.06
	D8NN-L903-DD		78/5-85	P-SP-10	40 mm	70 mm	FD-251072	60.38
LOADER LIFT	D8NN-L905-CE		78/5-85	P-SP-10	50 mm	80 mm	FD-251074	71.79
	D8NN-L905-DG		78/5-85	P-SP-10	50 mm	70 mm	FD-251162	68.50
MODEL 545A								
BACKHOE BUCKET	D8NN-B576-EC	1pc	6-85/11-88	P-UV-10	63 mm	90 mm	FD-251321	236.09
	D8NN-B576-FB	1pc	6-85/11-88	P-UV-10	63 mm	90 mm	FD-251321	236.09
BACKHOE CROWD	D8NN-B578-AA	1pc	6-85/11-88	P-SP-10	50 mm	100 mm	FD-251316	324.78
	D8NN-B578-AB	1pc	6-85/11-88	P-SP-10	50 mm	100 mm	FD-251316	324.78
	D8NN-B578-CC	1pc	6-85/11-88	P-UV-10	63 mm	115 mm	FD-251319	195.09
BACKHOE LIFT	D8NN-B577-BB	1pc	6-85/11-88	P-UV-10	56 mm	115 mm	FD-251318	250.74

FORD

Replacement Kits For

FORD

Backhoe Loaders								
APPLICATION	CYL #	Piston Type	SERIAL #	CODE	ROD	BORE	KIT #	List \$
MODEL 545A								
BACKHOE LIFT	D8NN-B577-CB	1pc	6-85/11-88	P-SP-10	50 mm	100 mm	FD-251316	324.78
BACKHOE STABILIZER	D8NN-B580-AD	1pc	6-85/6-87	P-UV-10	56 mm	100 mm	FD-251315	162.54
	E4NN-B580-AA	1pc	7-87/11-88	P-UV-10	56 mm	100 mm	FD-251315	162.54
BACKHOE SWING	E0NN-B579-BB		6-85/11-88	P-UV-10	50 mm	110 mm	FD-251303	175.76
LOADER BUCKET	D8NN-L903-AF		6-85/11-88	P-SP-10	40 mm	70 mm	FD-251072	60.38
	D8NN-L903-CE		6-85/11-88	P-U-10	40 mm	80 mm	FD-251073	87.06
	D8NN-L903-DD		6-85/11-88	P-SP-10	40 mm	70 mm	FD-251072	60.38
LOADER LIFT	D8NN-L905-CE		6-85/11-88	P-SP-10	50 mm	80 mm	FD-251074	71.79
	D8NN-L905-DG		6-85/11-88	P-SP-10	50 mm	70 mm	FD-251162	68.50
MODEL 545C								
LOADER BUCKET	E7NN-L903-BA		3-89/6-91	P-UB-10	40 mm	80 mm	FD-85804740	104.92
	F1NN-L903-CA		7-91/	P-UB-10	40 mm	80 mm	FD-85804740	104.92
LOADER LIFT	E7NN-L905-DA		3-89/6-91	P-UB-10	50 mm	80 mm	FD-FP417	109.81
	F1NN-L905-AB		7-91/11-92	P-UB-10	50 mm	80 mm	FD-FP417	109.81
MODEL 545D								
LOADER BUCKET	F1NN-L903-CA		7-91/	P-UB-10	40 mm	80 mm	FD-85804740	104.92
LOADER LIFT	F1NN-L905-AB		7-91/11-92, 12-92/	P-UB-10	50 mm	80 mm	FD-FP417	109.81
MODEL 550								
BACKHOE BUCKET	D5NN-B576-B		75/83	P-V-9	2-1/2	3.525	FD-309949	134.11
BACKHOE CROWD	D5NN-B578-C		75/83	P-V-9	2-1/4	4-1/2	FD-309948	259.00
	D7NN-B578-C		75/83	P-V-9	2	4	FD-309946	183.31
BACKHOE LIFT HEAVY DUTY	D7NN-B577-F		77/78	P-V-9	2-1/2	5	FD-309962	184.31
BACKHOE LIFT-CENTER PIVOT	D7NN-B577-B		75/83	P-V-9	2	4-1/2	FD-309947	151.12
	D7NN-B577-C		75/83	P-V-9	2	4	FD-309946	183.31
BACKHOE LIFT-SIDESHIFT	D7NN-B577-B		4-78/83	P-V-9	2	4-1/2	FD-309947	151.12
	D7NN-B577-D		75/3-78	P-V-9	2	4	FD-309946	183.31
BACKHOE STABILIZER-CENTERPIVOT	D7NN-B580-C		75/78	P-V-8	1-3/4	4	FD-309940	114.45
BACKHOE STABILIZER-SIDESHIFT	D8NN-B580-CA		75/83	P-V-8	1-1/2	3	FD-309974F	153.06
BACKHOE SWING-CENTER PIVOT	D7NN-B579-D		75/83	P-V-8	1-3/4	4-1/2	FD-309939	123.26
	D7NN-B579-E		75/83	P-V-8	1-3/4	4	FD-309940	114.45
LOADER BUCKET LH	D5NN-L904-A		75/83	P-U-8	1-1/2	3	FD-309985F	116.54
LOADER BUCKET RH	D5NN-L903-C		75/83	P-U-8	1-1/2	3	FD-309985F	116.54
LOADER LIFT	E3NN-L905-AA		75/83	P-U-8	2	3	FD-309984F	117.40
MODEL 555								
ARM		2pc		P-UV-9	63 mm	115 mm	FD-251036	310.82
		1pc		P-UV-10	63 mm	115 mm	FD-251319	195.09
BACKHOE BUCKET	D8NN-B576-EC	1pc	10-78/10-88	P-UV-10	63 mm	90 mm	FD-251321	236.09
BACKHOE CROWD	D8NN-B578-BB	1pc	10-78/10-88	P-UV-10	63 mm	115 mm	FD-251319	195.09
	D8NN-B578-BB	2pc	10-78/11-81	P-UV-9	63 mm	115 mm	FD-251036	310.82
	D8NN-B578-CC	1pc	10-78/10-88	P-UV-10	63 mm	115 mm	FD-251319	195.09
	D8NN-B578-CC	2pc	10-78/11-81	P-UV-9	63 mm	115 mm	FD-251036	310.82
BACKHOE EXTENDABLE DIPSTICK	D8NN-C492-BB	1pc	10-78/7-87	P-V-10	50 mm	80 mm	FD-251317	239.45
BACKHOE LIFT	D8NN-B577-AB	1pc	10-78/10-88	P-UV-10	63 mm	125 mm	FD-251320	180.28
	D8NN-B577-AB	2pc	10-78/81	P-UV-9	63 mm	125 mm	FD-251033	349.31
	D8NN-B577-BB	1pc	10-78/10-88	P-UV-10	56 mm	115 mm	FD-251318	250.74
	D8NN-B577-BB	2pc	10-78/81	P-UV-9	56 mm	115 mm	FD-251034	339.04
BACKHOE STABILIZER-CENTERPIVOT	D8NN-B580-AA	2pc	10-78/1-83	P-UV-8	50 mm	100 mm	FD-251038	217.88
	D8NN-B580-AA	1pc	10-78/1-83	P-SP-10	50 mm	100 mm	FD-251339	270.07
	D8NN-B580-AD	1pc	2-83/6-87	P-UV-10	56 mm	100 mm	FD-251315	162.54

FORD

FORD

Replacement Kits For

Backhoe Loaders								
APPLICATION	CYL #	Piston Type	SERIAL #	CODE	ROD	BORE	KIT #	List \$
MODEL 555								
BACKHOE STABILIZER-CENTERPIVOT	E4NN-B580-AA	1pc	7-87/10-88	P-UV-10	56 mm	100 mm	FD-251315	162.54
BACKHOE STABILIZER-SIDESHIFT	E0NN-B580-AA		84/10-88	P-U-10	45 mm	70 mm	FD-251361	157.51
BACKHOE SWING	D8NN-B579-BE		10-78/8-82	P-UV-9	56 mm	110 mm	FD-251037	354.36
BACKHOE SWING-CENTER PIVOT	E6NN-B579-AA		9-82/10-88	P-UV-10	50 mm	110 mm	FD-251303	175.76
BACKHOE SWING-SIDESHIFT	E1NN-B579-AB		84/10-88	P-UV-10	50 mm	110 mm	FD-251303	175.76
LOADER BUCKET LH	D5NN-L904-A		10-78/83	P-U-8	1-1/2	3	FD-309985F	116.54
	E0NN-L904-AA		84/10-88	P-U-10	1-1/2	3	FD-251363	48.89
LOADER BUCKET RH	D5NN-L903-C		10-78/83	P-U-8	1-1/2	3	FD-309985F	116.54
	E0NN-L903-AA		84/10-88	P-U-10	1-1/2	3	FD-251363	48.89
LOADER LIFT	E3NN-L905-AA		10-78/83	P-U-8	2	3	FD-309984F	117.40
	E4NN-L905-AA		84/10-88	P-U-10	2	3	FD-251362	47.20
MODEL 555A								
BACKHOE BUCKET	D8NN-B576-EC	1pc	84/5-85	P-UV-10	63 mm	90 mm	FD-251321	236.09
BACKHOE CROWD	D8NN-B578-BB	1pc	84/5-85	P-UV-10	63 mm	115 mm	FD-251319	195.09
	D8NN-B578-CC	1pc	84/5-85	P-UV-10	63 mm	115 mm	FD-251319	195.09
BACKHOE EXTENDABLE DIPSTICK	D8NN-C492-BB	1pc	84/5-85	P-V-10	50 mm	80 mm	FD-251317	239.45
BACKHOE LIFT	D8NN-B577-AB	1pc	84/5-85	P-UV-10	63 mm	125 mm	FD-251320	180.28
	D8NN-B577-BB	1pc	84/5-85	P-UV-10	56 mm	115 mm	FD-251318	250.74
BACKHOE STABILIZER-CENTERPIVOT	D8NN-B580-AD	1pc	84/5-85	P-UV-10	56 mm	100 mm	FD-251315	162.54
BACKHOE STABILIZER-SIDESHIFT	E0NN-B580-AA		84/5-85	P-U-10	45 mm	70 mm	FD-251361	157.51
BACKHOE SWING-CENTER PIVOT	E6NN-B579-AA		84/5-85	P-UV-10	50 mm	110 mm	FD-251303	175.76
BACKHOE SWING-SIDESHIFT	E1NN-B579-AB		84/5-85	P-UV-10	50 mm	110 mm	FD-251303	175.76
LOADER BUCKET LH	E0NN-L904-AA		84/5-85	P-U-10	1-1/2	3	FD-251363	48.89
LOADER BUCKET RH	E0NN-L903-AA		84/5-85	P-U-10	1-1/2	3	FD-251363	48.89
LOADER LIFT	E4NN-L905-AA		84/5-85	P-U-10	2	3	FD-251362	47.20
MODEL 555A-XL								
BACKHOE BUCKET	D8NN-B576-EC			P-UV-10	63 mm	90 mm	FD-251321	236.09
BACKHOE CROWD	D8NN-B578-BB			P-UV-10	63 mm	115 mm	FD-251319	195.09
	D8NN-B578-CC			P-UV-10	63 mm	115 mm	FD-251319	195.09
BACKHOE EXTENDABLE DIPSTICK	D8NN-C492-BB			P-V-10	50 mm	80 mm	FD-251317	239.45
BACKHOE LIFT	D8NN-B577-AB			P-UV-10	63 mm	125 mm	FD-251320	180.28
	D8NN-B577-BB			P-UV-10	56 mm	115 mm	FD-251318	250.74
BACKHOE STABILIZER-CENTERPIVOT	D8NN-B580-AD			P-UV-10	56 mm	100 mm	FD-251315	162.54
BACKHOE STABILIZER-SIDESHIFT	E0NN-B580-AA			P-U-10	45 mm	70 mm	FD-251361	157.51
BACKHOE SWING-CENTER PIVOT	E6NN-B579-AA			P-UV-10	50 mm	110 mm	FD-251303	175.76
BACKHOE SWING-SIDESHIFT	E1NN-B579-AB			P-UV-10	50 mm	110 mm	FD-251303	175.76
LOADER BUCKET LH	E0NN-L904-AA			P-U-10	1-1/2	3	FD-251363	48.89
LOADER BUCKET RH	E0NN-L903-AA			P-U-10	1-1/2	3	FD-251363	48.89
LOADER LIFT	E4NN-L905-AA			P-U-10	2	3	FD-251362	47.20
MODEL 555B								
BACKHOE BUCKET	D8NN-B576-EC	1pc	6-85/10-88	P-UV-10	63 mm	90 mm	FD-251321	236.09
BACKHOE CROWD	D8NN-B578-BB	1pc	6-85/10-88	P-UV-10	63 mm	115 mm	FD-251319	195.09
	D8NN-B578-CC	1pc	6-85/10-88	P-UV-10	63 mm	115 mm	FD-251319	195.09
BACKHOE LIFT	D8NN-B577-AB	1pc	6-85/10-88	P-UV-10	63 mm	125 mm	FD-251320	180.28

FORD

Replacement Kits For

FORD

Backhoe Loaders								
APPLICATION	CYL #	Piston Type	SERIAL #	CODE	ROD	BORE	KIT #	List \$
MODEL 555B								
BACKHOE LIFT	D8NN-B577-BB	1pc	6-85/10-88	P-UV-10	56 mm	115 mm	FD-251318	250.74
BACKHOE STABILIZER-CENTERPIVOT	D8NN-B580-AD	1pc	6-85/6-87	P-UV-10	56 mm	100 mm	FD-251315	162.54
	E4NN-B580-AA	1pc	7-87/10-88	P-UV-10	56 mm	100 mm	FD-251315	162.54
BACKHOE STABILIZER-SIDESHIFT	E0NN-B580-AA		6-85/10-88	P-U-10	45 mm	70 mm	FD-251361	157.51
BACKHOE SWING-CENTER PIVOT	E6NN-B579-AA		6-85/10-88	P-UV-10	50 mm	110 mm	FD-251303	175.76
BACKHOE SWING-SIDESHIFT	E1NN-B579-AB		6-85/10-88	P-UV-10	50 mm	110 mm	FD-251303	175.76
LOADER BUCKET LH	E0NN-L904-AA		6-85/10-88	P-U-10	1-1/2	3	FD-251363	48.89
LOADER BUCKET RH	E0NN-L903-AA		6-85/10-88	P-U-10	1-1/2	3	FD-251363	48.89
LOADER LIFT	E4NN-L905-AA		6-85/10-88	P-U-10	2	3	FD-251362	47.20
MODEL 555C								
BACKHOE BUCKET	E7NN-B576-AB		11-88/8-92	P-U-10	63 mm	90 mm	FD-FP456	130.33
BACKHOE CROWD	F1NN-B578-AA		11-88/8-92	P-UB-10	63 mm	115 mm	FD-FP455	172.91
BACKHOE EXTENDABLE DIPSTICK	E7NN-C492-AB		11-88/8-92	P-UB-10	50 mm	80 mm	FD-FP457	96.36
BACKHOE LIFT W/HED	E7NN-B577-AE		11-88/12-91	P-UB-10	63 mm	125 mm	FD-85804741	247.29
BACKHOE LIFT W/O HED	E7NN-B577-BE		11-88/12-91	P-UB-10	56 mm	115 mm	FD-FP454	254.79
BACKHOE STABILIZER-CENTERPIVOT	F2NN-B580-AA		11-88/8-92	P-UB-10	56 mm	100 mm	FD-FP458	186.66
BACKHOE STABILIZER-SIDESHIFT	E7NN-B580-BA		11-88/8-92	P-UB-10	50 mm	70 mm	FD-FP459	107.57
BACKHOE SWING - CENTER PIVOT	E7NN-B579-BA		11-88/8-92	P-UB-10	50 mm	110 mm	FD-FP460	189.40
BACKHOE SWING - SIDE SHIFT	E7NN-B579-BA		11-88/8-92	P-UB-10	50 mm	110 mm	FD-FP460	189.40
LOADER BUCKET LH	F1NN-L904-AA		11-88/8-92	P-UB-10	40 mm	80 mm	FD-85804740	104.92
LOADER BUCKET RH	F1NN-L903-AA		11-88/8-92	P-UB-10	40 mm	80 mm	FD-85804740	104.92
LOADER BUCKET-MULTIPURPOSE	E7NN-A136-AA		11-88/5-92	P-UB-10	40 mm	70 mm	FD-FP419	113.22
LOADER LIFT	E7NN-L905-BB		11-88/8-92	P-UB-10	50 mm	80 mm	FD-FP417	109.81
MODEL 555D								
BACKHOE BUCKET	E7NN-B576-AB		9-92/	P-U-10	63 mm	90 mm	FD-FP456	130.33
BACKHOE CROWD	F1NN-B578-AA		9-92/	P-UB-10	63 mm	115 mm	FD-FP455	172.91
BACKHOE EXTENDABLE DIPSTICK	E7NN-C492-AB		9-92/8-93	P-UB-10	50 mm	80 mm	FD-FP457	96.36
	E7NN-C492-AD		9-93/	P-UB-10	50 mm	80 mm	FD-FP457	96.36
BACKHOE LIFT W/HED	F1NN-B577-CA		9-92/	P-UB-10	63 mm	125 mm	FD-85804741	247.29
BACKHOE LIFT W/O HED	F1NN-B577-BA		9-92/	P-UB-10	56 mm	115 mm	FD-FP454	254.79
BACKHOE STABILIZER-CENTERPIVOT	F2NN-B580-AA		9-92/	P-UB-10	56 mm	100 mm	FD-FP458	186.66
BACKHOE STABILIZER-SIDESHIFT	E7NN-B580-BA		9-92/8-93	P-UB-10	50 mm	70 mm	FD-FP459	107.57
	E7NN-B580-BB		9-93/	P-UB-10	50 mm	70 mm	FD-FP459	107.57
BACKHOE SWING - CENTER PIVOT	E7NN-B579-AB		9-92/8-93	P-UB-10	50 mm	110 mm	FD-FP460	189.40
	E7NN-B579-AD		9-93/	P-UB-10	50 mm	110 mm	FD-FP460	189.40
BACKHOE SWING - SIDE SHIFT	E7NN-B579-BA		9-92/8-93	P-UB-10	50 mm	110 mm	FD-FP460	189.40
	E7NN-B579-BC		9-93/	P-UB-10	50 mm	110 mm	FD-FP460	189.40
LOADER BUCKET LH	F1NN-L904-AA		9-92/	P-UB-10	40 mm	80 mm	FD-85804740	104.92
LOADER BUCKET RH	F1NN-L903-AA		9-92/	P-UB-10	40 mm	80 mm	FD-85804740	104.92
LOADER BUCKET-MULTIPURPOSE	F1NN-A136-AA		9-92/	P-UB-10	40 mm	70 mm	FD-FP419	113.22
LOADER LIFT	E7NN-L905-BC		4-93/	P-UB-10	50 mm	80 mm	FD-FP417	109.81
POWER STEERING	F1NN-3A540-AA		5-92/	I-U-10	40 mm	2-3/4	FD-FINN3A539AA	68.02

FORD

FORD

Replacement Kits For

Backhoe Loaders								
APPLICATION	CYL #	Piston Type	SERIAL #	CODE	ROD	BORE	KIT #	List \$
MODEL 555E								
BACKHOE BOOM LIFT	85800400			P-UB-10	63 mm	125 mm	FD-85804741	247.29
BACKHOE BUCKET	83962129			P-U-10	63 mm	90 mm	FD-85804743	204.83
BACKHOE CROWD	81873434			P-UB-10	63 mm	115 mm	FD-85804742	272.09
BACKHOE H.E.D.	85800800			P-UB-10	50 mm	70 mm	FD-85802569	107.46
BACKHOE STABILIZER	85800600			P-UB-10	56 mm	100 mm	FD-83971999	186.66
BACKHOE SWING	85800300			P-UB-10	50 mm	110 mm	FD-85802570	122.08
LOADER BUCKET	85800500			P-UB-10	40 mm	80 mm	FD-85804740	104.92
LOADER LIFT	85800100			P-UB-10	50 mm	90 mm	FD-85802567	105.72
MODEL 575D								
BACKHOE BUCKET	E7NN-B576-AB		9-92/	P-U-10	63 mm	90 mm	FD-FP456	130.33
BACKHOE CROWD	F1NN-B578-AA		9-92/	P-UB-10	63 mm	115 mm	FD-FP455	172.91
BACKHOE EXTENDABLE DIPSTICK	E7NN-C492-AD		9-93/	P-UB-10	50 mm	80 mm	FD-FP457	96.36
BACKHOE STABILIZER-CENTERPIVOT	F2NN-B580-AA		9-92/	P-UB-10	56 mm	100 mm	FD-FP458	186.66
BACKHOE STABILIZER-SIDESHIFT	E7NN-B580-BA		9-92/8-93	P-UB-10	50 mm	70 mm	FD-FP459	107.57
	E7NN-B580-BB		9-93/	P-UB-10	50 mm	70 mm	FD-FP459	107.57
BACKHOE SWING - CENTER PIVOT	E7NN-B579-AD		9-93/	P-UB-10	50 mm	110 mm	FD-FP460	189.40
	E7NN-B579-BA		9-92/8-93	P-UB-10	50 mm	110 mm	FD-FP460	189.40
BACKHOE SWING - SIDE SHIFT	E7NN-B579-BA		9-92/8-93	P-UB-10	50 mm	110 mm	FD-FP460	189.40
	E7NN-B579-BC		9-93/	P-UB-10	50 mm	110 mm	FD-FP460	189.40
LOADER BUCKET LH	F1NN-L904-AA		9-92/	P-UB-10	40 mm	80 mm	FD-85804740	104.92
LOADER BUCKET RH	F1NN-L903-AA		9-92/	P-UB-10	40 mm	80 mm	FD-85804740	104.92
LOADER BUCKET-MULTIPURPOSE	F1NN-A136-AA		9-92/	P-UB-10	40 mm	70 mm	FD-FP419	113.22
LOADER LIFT	E7NN-L905-BC		4-93/	P-UB-10	50 mm	80 mm	FD-FP417	109.81
MODEL 575E								
BACKHOE BOOM LIFT	85800400			P-UB-10	63 mm	125 mm	FD-85804741	247.29
BACKHOE BUCKET	83962129			P-U-10	63 mm	90 mm	FD-85804743	204.83
BACKHOE CROWD	81873434			P-UB-10	63 mm	115 mm	FD-85804742	272.09
BACKHOE H.E.D.	85800800			P-UB-10	50 mm	70 mm	FD-85802569	107.46
BACKHOE STABILIZER	85800600			P-UB-10	56 mm	100 mm	FD-83971999	186.66
BACKHOE SWING	85800300			P-UB-10	50 mm	110 mm	FD-85802570	122.08
LOADER BUCKET	85800500			P-UB-10	40 mm	80 mm	FD-85804740	104.92
LOADER LIFT	85800100			P-UB-10	50 mm	90 mm	FD-85802567	105.72
MODEL 650								
BACKHOE BUCKET	D5NN-B576-B		11-75/77	P-V-9	2-1/2	3.525	FD-309949	134.11
BACKHOE CROWD	D7NN-B578-B		11-75/77	P-V-9	2-1/4	4-1/2	FD-309948	259.00
BACKHOE LIFT	D7NN-B577-F		11-75/77	P-V-9	2-1/2	5	FD-309962	184.31
BACKHOE STABILIZER	D7NN-B580-C		11-75/77	P-V-8	1-3/4	4	FD-309940	114.45
BACKHOE SWING	D7NN-B579-D		11-75/77	P-V-8	1-3/4	4-1/2	FD-309939	123.26
LOADER BUCKET	D7NN-L903-A		11-75/77	P-V-9	2-1/4	4	FD-309951	162.38
LOADER HYDRO BUCKET	7708113		11-75/77	P-U-13	2	3	FD-7708145	81.30
LOADER LIFT	D7NN-L905-F		11-75/77	P-V-9	2-1/4	4	FD-309951	162.38
MODEL 655								
BACKHOE BUCKET		2pc		P-V-9	2-1/2	3.525	FD-309949	134.11
	D8NN-B576-EC	1pc	7-85/10-88	P-UV-10	63 mm	90 mm	FD-251321	236.09
BACKHOE CROWD		2pc		P-V-9	2-1/4	4-1/2	FD-309948	259.00
	D8NN-B578-BB	1pc	7-85/10-88	P-UV-10	63 mm	115 mm	FD-251319	195.09
	D8NN-B578-CC	1pc	7-85/10-88	P-UV-10	63 mm	115 mm	FD-251319	195.09
BACKHOE EXTENDABLE DIPSTICK	D8NN-C492-BB	1pc	7-85/7-87	P-V-10	50 mm	80 mm	FD-251317	239.45
BACKHOE LIFT		2pc		P-V-9	2	4-1/2	FD-309947	151.12

FORD

Replacement Kits For

FORD

Backhoe Loaders								
APPLICATION	CYL #	Piston Type	SERIAL #	CODE	ROD	BORE	KIT #	List \$
MODEL 655								
BACKHOE LIFT	D8NN-B577-AB	1pc	7-85/10-88	P-UV-10	63 mm	125 mm	FD-251320	180.28
	D8NN-B577-BB	1pc	7-85/10-88	P-UV-10	56 mm	115 mm	FD-251318	250.74
BACKHOE STABILIZER		2pc		P-V-8	1-3/4	4	FD-309940	114.45
BACKHOE STABILIZER-CENTERPIVOT	D8NN-B580-AD	1pc	7-85/6-87	P-UV-10	56 mm	100 mm	FD-251315	162.54
	E4NN-B580-AA	1pc	7-87/10-88	P-UV-10	56 mm	100 mm	FD-251315	162.54
BACKHOE STABILIZER-SIDESHIFT	E0NN-B580-AA		7-85/10-88	P-U-10	45 mm	70 mm	FD-251361	157.51
BACKHOE SWING		2pc		P-V-8	1-3/4	4-1/2	FD-309939	123.26
BACKHOE SWING-CENTER PIVOT	E6NN-B579-AA		7-85/10-88	P-UV-10	50 mm	110 mm	FD-251303	175.76
BACKHOE SWING-SIDESHIFT	E1NN-B579-AB		7-85/10-88	P-UV-10	50 mm	110 mm	FD-251303	175.76
LOADER BUCKET LH	E0NN-L904-AA		7-85/10-88	P-U-10	1-1/2	3	FD-251363	48.89
LOADER BUCKET RH	E0NN-L903-AA		7-85/10-88	P-U-10	1-1/2	3	FD-251363	48.89
LOADER LIFT	E4NN-L905-AA		7-85/10-88	P-U-10	2	3	FD-251362	47.20
MODEL 655A								
BACKHOE BUCKET	D8NN-B576-EC	1pc	6-85/10-88	P-UV-10	63 mm	90 mm	FD-251321	236.09
BACKHOE CROWD	D8NN-B578-BB	1pc	6-85/10-88	P-UV-10	63 mm	115 mm	FD-251319	195.09
	D8NN-B578-CC	1pc	6-85/10-88	P-UV-10	63 mm	115 mm	FD-251319	195.09
BACKHOE EXTENDABLE DIPSTICK	D8NN-C492-BB	1pc	6-85/7-87	P-V-10	50 mm	80 mm	FD-251317	239.45
BACKHOE LIFT	D8NN-B577-AB	1pc	6-85/10-88	P-UV-10	63 mm	125 mm	FD-251320	180.28
	D8NN-B577-BB	1pc	6-85/10-88	P-UV-10	56 mm	115 mm	FD-251318	250.74
BACKHOE STABILIZER-CENTERPIVOT	D8NN-B580-AD	1pc	6-85/6-87	P-UV-10	56 mm	100 mm	FD-251315	162.54
	E4NN-B580-AA	1pc	7-87/10-88	P-UV-10	56 mm	100 mm	FD-251315	162.54
BACKHOE STABILIZER-SIDESHIFT	E0NN-B580-AA		6-85/10-88	P-U-10	45 mm	70 mm	FD-251361	157.51
BACKHOE SWING-CENTER PIVOT	E6NN-B579-AA		6-85/10-88	P-UV-10	50 mm	110 mm	FD-251303	175.76
BACKHOE SWING-SIDESHIFT	E1NN-B579-AB		6-85/10-88	P-UV-10	50 mm	110 mm	FD-251303	175.76
LOADER BUCKET LH	E0NN-L904-AA		6-85/10-88	P-U-10	1-1/2	3	FD-251363	48.89
LOADER BUCKET RH	E0NN-L903-AA		6-85/10-88	P-U-10	1-1/2	3	FD-251363	48.89
LOADER LIFT	E4NN-L905-AA		6-85/10-88	P-U-10	2	3	FD-251362	47.20
MODEL 655C								
BACKHOE BUCKET	E7NN-B576-AB		11-88/8-92	P-U-10	63 mm	90 mm	FD-FP456	130.33
BACKHOE CROWD	F1NN-B578-AA		11-88/8-92	P-UB-10	63 mm	115 mm	FD-FP455	172.91
BACKHOE EXTENDABLE DIPSTICK	E7NN-C492-BD		11-88/8-92	P-UB-10	50 mm	80 mm	FD-FP457	96.36
BACKHOE LIFT	E7NN-B577-AE		11-88/12-91	P-UB-10	63 mm	125 mm	FD-85804741	247.29
BACKHOE STABILIZER-CENTERPIVOT	F2NN-B580-AA		11-88/8-92	P-UB-10	56 mm	100 mm	FD-FP458	186.66
BACKHOE STABILIZER-SIDESHIFT	E7NN-B580-BA		11-88/8-92	P-UB-10	50 mm	70 mm	FD-FP459	107.57
BACKHOE SWING - CENTER PIVOT	E7NN-B579-BA		11-88/8-92	P-UB-10	50 mm	110 mm	FD-FP460	189.40
BACKHOE SWING - SIDE SHIFT	E7NN-B579-BA		11-88/8-92	P-UB-10	50 mm	110 mm	FD-FP460	189.40
LOADER BUCKET LH	F1NN-L904-AA		11-88/8-92	P-UB-10	40 mm	80 mm	FD-85804740	104.92
LOADER BUCKET RH	F1NN-L903-AA		11-88/8-92	P-UB-10	40 mm	80 mm	FD-85804740	104.92
LOADER BUCKET-MULTIPURPOSE	E7NN-A136-AA		11-88/5-92	P-UB-10	40 mm	70 mm	FD-FP419	113.22
LOADER LIFT	E7NN-L905-BB		11-88/8-92	P-UB-10	50 mm	80 mm	FD-FP417	109.81
MODEL 655D								
BACKHOE BUCKET	E7NN-B576-AB		9-92/	P-U-10	63 mm	90 mm	FD-FP456	130.33
BACKHOE CROWD	F1NN-B578-AA		9-92/	P-UB-10	63 mm	115 mm	FD-FP455	172.91

FORD

FORD

Replacement Kits For

Backhoe Loaders								
APPLICATION	CYL #	Piston Type	SERIAL #	CODE	ROD	BORE	KIT #	List \$
MODEL 655D								
BACKHOE EXTENDABLE DIPSTICK	E7NN-C492-BD		9-92/	P-UB-10	50 mm	80 mm	FD-FP457	96.36
BACKHOE LIFT	F1NN-B577-CA		9-92/	P-UB-10	63 mm	125 mm	FD-85804741	247.29
BACKHOE STABILIZER-CENTERPIVOT	F2NN-B580-AA		9-92/	P-UB-10	56 mm	100 mm	FD-FP458	186.66
BACKHOE STABILIZER-SIDESHIFT	E7NN-B580-BA		9-92/8-93	P-UB-10	50 mm	70 mm	FD-FP459	107.57
	E7NN-B580-BB		9-93/	P-UB-10	50 mm	70 mm	FD-FP459	107.57
BACKHOE SWING - CENTER PIVOT	E7NN-B579-AD		9-93/	P-UB-10	50 mm	110 mm	FD-FP460	189.40
	E7NN-B579-BA		9-92/8-93	P-UB-10	50 mm	110 mm	FD-FP460	189.40
BACKHOE SWING - SIDE SHIFT	E7NN-B579-BA		9-92/8-93	P-UB-10	50 mm	110 mm	FD-FP460	189.40
	E7NN-B579-BC		9-93/	P-UB-10	50 mm	110 mm	FD-FP460	189.40
LOADER BUCKET LH	F1NN-L904-AA		9-92/	P-UB-10	40 mm	80 mm	FD-85804740	104.92
LOADER BUCKET RH	F1NN-L903-AA		9-92/	P-UB-10	40 mm	80 mm	FD-85804740	104.92
LOADER BUCKET-MULTIPURPOSE	F1NN-A136-AA		9-92/	P-UB-10	40 mm	70 mm	FD-FP419	113.22
LOADER LIFT	E7NN-L905-BC		4-93/	P-UB-10	50 mm	80 mm	FD-FP417	109.81
MODEL 655E								
BACKHOE BOOM LIFT	85800200			P-UB-10	63 mm	5-1/8	FD-85802568	350.11
BACKHOE BUCKET	83962129			P-U-10	63 mm	90 mm	FD-85804743	204.83
BACKHOE CROWD	81873434			P-UB-10	63 mm	115 mm	FD-85804742	272.09
BACKHOE H.E.D.	85800700			P-UB-10	50 mm	70 mm	FD-85802569	107.46
BACKHOE STABILIZER	85800600			P-UB-10	56 mm	100 mm	FD-83971999	186.66
BACKHOE SWING	85800300			P-UB-10	50 mm	110 mm	FD-85802570	122.08
LOADER BUCKET	85800500			P-UB-10	40 mm	80 mm	FD-85804740	104.92
LOADER LIFT	85800100			P-UB-10	50 mm	90 mm	FD-85802567	105.72
MODEL 675D								
BACKHOE BUCKET	E7NN-B576-AB		9-92/	P-U-10	63 mm	90 mm	FD-FP456	130.33
BACKHOE CROWD	F1NN-B578-AA		9-92/	P-UB-10	63 mm	115 mm	FD-FP455	172.91
BACKHOE EXTENDABLE DIPSTICK	E7NN-C492-BD		9-92/	P-UB-10	50 mm	80 mm	FD-FP457	96.36
BACKHOE STABILIZER-CENTERPIVOT	F2NN-B580-AA		9-92/	P-UB-10	56 mm	100 mm	FD-FP458	186.66
BACKHOE STABILIZER-SIDESHIFT	E7NN-B580-BA		9-92/8-93	P-UB-10	50 mm	70 mm	FD-FP459	107.57
	E7NN-B580-BB		9-93/	P-UB-10	50 mm	70 mm	FD-FP459	107.57
BACKHOE SWING - CENTER PIVOT	E7NN-B579-AD		9-93/	P-UB-10	50 mm	110 mm	FD-FP460	189.40
	E7NN-B579-BA		9-92/8-93	P-UB-10	50 mm	110 mm	FD-FP460	189.40
BACKHOE SWING - SIDE SHIFT	E7NN-B579-BA		9-92/8-93	P-UB-10	50 mm	110 mm	FD-FP460	189.40
	E7NN-B579-BC		9-93/	P-UB-10	50 mm	110 mm	FD-FP460	189.40
LOADER BUCKET LH	F1NN-L904-AA		9-92/	P-UB-10	40 mm	80 mm	FD-85804740	104.92
LOADER BUCKET RH	F1NN-L903-AA		9-92/	P-UB-10	40 mm	80 mm	FD-85804740	104.92
LOADER BUCKET-MULTIPURPOSE	F1NN-A136-AA		9-92/	P-UB-10	40 mm	70 mm	FD-FP419	113.22
LOADER LIFT	E7NN-L905-BC		4-93/	P-UB-10	50 mm	80 mm	FD-FP417	109.81
MODEL 675E								
BACKHOE BOOM LIFT	85800200			P-UB-10	63 mm	5-1/8	FD-85802568	350.11
BACKHOE BUCKET	83962129			P-U-10	63 mm	90 mm	FD-85804743	204.83
BACKHOE CROWD	81873434			P-UB-10	63 mm	115 mm	FD-85804742	272.09
BACKHOE H.E.D.	85800700			P-UB-10	50 mm	70 mm	FD-85802569	107.46
BACKHOE STABILIZER	85800600			P-UB-10	56 mm	100 mm	FD-83971999	186.66
BACKHOE SWING	85800300			P-UB-10	50 mm	110 mm	FD-85802570	122.08
LOADER BUCKET	85800500			P-UB-10	40 mm	80 mm	FD-85804740	104.92

FORD

Replacement Kits For

FORD

Backhoe Loaders								
APPLICATION	CYL #	Piston Type	SERIAL #	CODE	ROD	BORE	KIT #	List \$
MODEL 675E								
LOADER LIFT	85800100			P-UB-10	50 mm	90 mm	FD-85802567	105.72
MODEL 730								
LOADER BUCKET				P-V-8	1-1/4	2	FD-309957	92.53
LOADER LIFT				P-V-8	1-1/2	2	FD-309956	69.50
MODEL 740								
LOADER BUCKET				P-V-8	1-1/2	3	FD-309959	175.86
LOADER LIFT				P-V-8	2	3	FD-309960	94.81
MODEL 750								
BACKHOE BUCKET	D5NN-B576-C		11-75/78	P-V-9	2-1/2	4	FD-309970	167.38
BACKHOE CROWD	D7NN-B578-A		11-75/78	P-V-9	2-1/2	5	FD-309962	184.31
BACKHOE LIFT	D7NN-B577-A		11-75/78	P-V-9	2-1/2	5-1/2	FD-309963	196.09
BACKHOE STABILIZER	D7NN-B580-A		11-75/78	P-V-8	2	4-1/2	FD-309941	139.32
BACKHOE SWING	D5NN-B579-D		11-75/78	P-V-9	1-3/4	3-1/2	FD-309950	157.63
LOADER BUCKET	D7NN-L903-A		11-75/78	P-V-9	2-1/4	4	FD-309951	162.38
LOADER HYDRO BUCKET	7708113		11-75/78	P-U-13	2	3	FD-7708145	81.30
LOADER LIFT	D7NN-L905-A		11-75/78	P-V-9	2-1/4	3-3/4	FD-309969	277.02
MODEL 753								
BACKHOE BUCKET				P-V-9	2-1/2	3.525	FD-309949	134.11
BACKHOE CROWD				P-V-9	2	4	FD-309946	183.31
BACKHOE LIFT				P-V-9	2	4	FD-309946	183.31
BACKHOE STABILIZER				P-V-8	1-3/4	4	FD-309940	114.45
BACKHOE SWING				P-V-8	1-3/4	4	FD-309940	114.45
MODEL 755								
BACKHOE BUCKET		2pc		P-V-9	2-1/2	3.525	FD-309949	134.11
	D5NN-B576-C		78/83	P-V-9	2-1/2	4	FD-309970	167.38
BACKHOE CROWD		2pc		P-V-9	2-1/4	4-1/2	FD-309948	259.00
	D7NN-B578-A		78/5-79	P-V-9	2-1/2	5	FD-309962	184.31
	E8NN-B578-AA		6-79/83	P-UV-9	63 mm	125 mm	FD-251160	356.94
BACKHOE LIFT		2pc		P-V-9	2	4-1/2	FD-309947	151.12
	D7NN-B577-A		78/5-79	P-V-9	2-1/2	5-1/2	FD-309963	196.09
	D9NN-B577-AA		6-79/83	P-UV-9	63 mm	150 mm	FD-251159	370.92
BACKHOE STABILIZER		2pc		P-V-8	1-3/4	4	FD-309940	114.45
	D7NN-B580-A		78/83	P-V-8	2	4-1/2	FD-309941	139.32
BACKHOE SWING		2pc		P-V-8	1-3/4	4-1/2	FD-309939	123.26
	D5NN-B579-D		78/83	P-V-9	1-3/4	3-1/2	FD-309950	157.63
LOADER BUCKET	D7NN-L903-A		78/83	P-V-9	2-1/4	4	FD-309951	162.38
LOADER HYDRO BUCKET	7708113		78/83	P-U-13	2	3	FD-7708145	81.30
LOADER LIFT	D7NN-L905-A		78/83	P-V-9	2-1/4	3-3/4	FD-309969	277.02
MODEL 755A								
BACKHOE BUCKET	D5NN-B576-C		84/5-86	P-V-9	2-1/2	4	FD-309970	167.38
	E5NN-B576-AA		6-86/12-86	P-UV-10	56 mm	100 mm	FD-251315	162.54
BACKHOE CROWD	E8NN-B578-AA		84/86	P-UV-9	63 mm	125 mm	FD-251160	356.94
BACKHOE LIFT	D9NN-B577-AA		84/86	P-UV-9	63 mm	150 mm	FD-251159	370.92
BACKHOE STABILIZER	D7NN-B580-A		84/86	P-V-8	2	4-1/2	FD-309941	139.32
BACKHOE SWING	D5NN-B579-D		83/5-86	P-V-9	1-3/4	3-1/2	FD-309950	157.63
	E6NN-B579-AA		6-86/12-86	P-UV-10	50 mm	110 mm	FD-251303	175.76
LOADER BUCKET	D7NN-L903-A		84/5-86	P-V-9	2-1/4	4	FD-309951	162.38
	E5NN-L903-AA		6-86/12-86	P-UV-10	56 mm	100 mm	FD-251315	162.54
LOADER HYDRO BUCKET	7708113		84/86	P-U-13	2	3	FD-7708145	81.30
LOADER LIFT	D7NN-L905-A		84/5-86	P-V-9	2-1/4	3-3/4	FD-309969	277.02
	E5NN-L905-AA		6-86/12-86	P-UV-10	56 mm	100 mm	FD-251315	162.54
MODEL 755B								
BACKHOE BUCKET	E5NN-B576-AA		87/10-88	P-UV-10	56 mm	100 mm	FD-251315	162.54
	E8NN-B576-AA		11-88	P-UB-10	56 mm	100 mm	FD-FP398	145.80
BACKHOE CROWD	E8NN-B578-AA		11-88/	P-UB-9	63 mm	125 mm	FD-FP528	334.89

FORD

FORD

Replacement Kits For

Backhoe Loaders								
APPLICATION	CYL #	Piston Type	SERIAL #	CODE	ROD	BORE	KIT #	List \$
MODEL 755B								
BACKHOE CROWD	E8NN-B578-AA		87/10-88	P-UV-9	63 mm	125 mm	FD-251160	356.94
BACKHOE EXTENDABLE DIPSTICK	E6NN-C492-AA		5-87/2-89	P-V-10	50 mm	80 mm	FD-251317	239.45
	E7NN-C492-BD		3-89/	P-UB-10	50 mm	80 mm	FD-FP457	96.36
BACKHOE LIFT	D9NN-B577-AA		87/	P-UV-9	63 mm	150 mm	FD-251159	370.92
BACKHOE STABILIZER	D7NN-B580-A		87/10-88	P-V-8	2	4-1/2	FD-309941	139.32
	E8NN-B580-AA		11-88/	P-UB-10	56 mm	115 mm	FD-FP410	139.16
BACKHOE SWING	E6NN-B579-AA		87/10-88	P-UV-10	50 mm	110 mm	FD-251303	175.76
	E7NN-B579-AB		11-88/	P-UB-10	50 mm	110 mm	FD-FP460	189.40
LOADER BUCKET	E5NN-L903-AA		87/10-88	P-UV-10	56 mm	100 mm	FD-251315	162.54
	E8NN-L903-AA		11-88/	P-UB-10	56 mm	100 mm	FD-FP398	145.80
LOADER HYDRO BUCKET	7708113		87/	P-U-13	2	3	FD-7708145	81.30
LOADER LIFT	E5NN-L905-AA		87/10-88	P-UV-10	56 mm	100 mm	FD-251315	162.54
	E8NN-L905-AA		11-88/	P-UB-10	56 mm	100 mm	FD-FP398	145.80
MODEL 5500-5550								
BACKHOE ARM				P-V-9	2-1/2	5	FD-309962	184.31
BACKHOE BUCKET				P-V-9	2-1/2	3.525	FD-309949	134.11
BACKHOE LIFT				P-V-9	2-1/2	5-1/2	FD-309963	196.09
BACKHOE STABILIZER				P-V-8	2	4-1/2	FD-309941	139.32
BACKHOE SWING				P-V-9	1-3/4	3-1/2	FD-309950	157.63
LOADER BUCKET				P-V-9	2-1/2	4	FD-309970	167.38
LOADER LIFT				P-V-9	2-1/4	4	FD-309951	162.38
MODEL 6500								
BACKHOE BUCKET	D5NN-B576-B		73/10-75	P-V-9	2-1/2	3.525	FD-309949	134.11
BACKHOE CROWD	D7NN-B578-B		73/10-75	P-V-9	2-1/4	4-1/2	FD-309948	259.00
BACKHOE LIFT	D7NN-B577-F		73/10-75	P-V-9	2-1/2	5	FD-309962	184.31
BACKHOE STABILIZER	D7NN-B580-C		73/10-75	P-V-8	1-3/4	4	FD-309940	114.45
BACKHOE SWING	D7NN-B579-D		73/10-75	P-V-8	1-3/4	4-1/2	FD-309939	123.26
LOADER BUCKET	D7NN-L903-A		73/10-75	P-V-9	2-1/4	4	FD-309951	162.38
LOADER HYDRO BUCKET	7708113		73/10-75	P-U-13	2	3	FD-7708145	81.30
LOADER LIFT	D7NN-L905-F		73/10-75	P-V-9	2-1/4	4	FD-309951	162.38
MODEL 7500								
BACKHOE BUCKET	D5NN-B576-C		73/10-75	P-V-9	2-1/2	4	FD-309970	167.38
BACKHOE CROWD	D7NN-B578-A		73/10-75	P-V-9	2-1/2	5	FD-309962	184.31
BACKHOE LIFT	D7NN-B577-A		73/10-75	P-V-9	2-1/2	5-1/2	FD-309963	196.09
BACKHOE STABILIZER	D7NN-B580-A		73/10-75	P-V-8	2	4-1/2	FD-309941	139.32
BACKHOE SWING	D5NN-B579-D		73/10-75	P-V-9	1-3/4	3-1/2	FD-309950	157.63
LOADER BUCKET	D7NN-L903-A		73/10-75	P-V-9	2-1/4	4	FD-309951	162.38
LOADER HYDRO BUCKET	7708113		73/10-75	P-U-13	2	3	FD-7708145	81.30
LOADER LIFT	D7NN-L905-A		73/10-75	P-V-9	2-1/4	3-3/4	FD-309969	277.02
MODEL A62								
LOADER BUCKET				P-V-9	2-1/2	5-1/2	FD-309977	216.04
LOADER LIFT				P-V-9	2	4-1/2	FD-309980	166.79
MODEL A64								
LOADER BUCKET				P-V-9	3	6	FD-309978	229.62
LOADER LIFT				P-V-9	2-1/2	5.025	FD-309981	188.50
MODEL A66								
LOADER BUCKET				P-V-9	3	6-1/2	FD-309979	253.15
LOADER LIFT				P-V-9	2-1/2	5-1/2	FD-309963	196.09
Tractors								
APPLICATION	CYL #	Piston Type	SERIAL #	CODE	ROD	BORE	KIT #	List \$
MODEL								
	7102266			N-OB-1	1-1/4		FD-7102289	16.72
	CED2NNC846C			P-OB-10	1-1/4	3	FD-CE41300922	77.59
	CED2NNC846D			P-OB-10	7/8	2	FD-CE41200904	34.20
	D2NN-C846-A			I-U-3	1-3/8	3	FD-DHPNC846A	37.33

FORD

Replacement Kits For

FORD

Tractors								
APPLICATION	CYL #	Piston Type	SERIAL #	CODE	ROD	BORE	KIT #	List \$
MODEL								
	D2NN-C846-B			I-TR-3	1-3/8	3-1/2	FD-DHPNC846D	36.00
	D2NN-C846-C			I-TR-3	1-3/8	3	FD-DHPNC846C	36.81
	D2NN-C846-D			I-TR-3	1	2	FD-DHPNC846B	26.81
	D8NN-C846-AA			I-U-3	1-3/8	3-1/2	FD-PRNPMCKS916	37.80
	MPP20TB08			I-TR-3	1	2	FD-DHPNC846B	26.81
	MPP30TB08			I-TR-3	1-3/8	3	FD-DHPNC846C	36.81
	MPP35TB08			I-TR-3	1-3/8	3-1/2	FD-DHPNC846D	36.00
MODEL 2600, 3600, 4600, 4600-SU								
ACCESSORY	D2NN-C846-B		75/81	I-TR-3	1-3/8	3-1/2	FD-DHPNC846D	36.00
	D2NN-C846-C		75/81	I-TR-3	1-3/8	3	FD-DHPNC846C	36.81
	D2NN-C846-D		75/81	I-TR-3	1	2	FD-DHPNC846B	26.81
MODEL 3400, 3500, 3550, 4400, 4500								
ACCESSORY	7102266		65/74	N-OB-1	1-1/4		FD-7102289	16.72
	D2NN-C846-B		65/74	I-TR-3	1-3/8	3-1/2	FD-DHPNC846D	36.00
	D2NN-C846-C		65/74	I-TR-3	1-3/8	3	FD-DHPNC846C	36.81
	D2NN-C846-D		65/74	I-TR-3	1	2	FD-DHPNC846B	26.81
MODEL 5600								
ACCESSORY	D2NN-C846-A		75/81	I-U-3	1-3/8	3	FD-DHPNC846A	37.33
	D8NN-C846-AA		75/81	I-U-3	1-3/8	3-1/2	FD-PRNPMCKS916	37.80
MODEL 6600, 7600								
ACCESSORY	D2NN-C846-A		75/81	I-U-3	1-3/8	3	FD-DHPNC846A	37.33
	D2NN-C846-B		75/81	I-TR-3	1-3/8	3-1/2	FD-DHPNC846D	36.00
	D2NN-C846-C		75/81	I-TR-3	1-3/8	3	FD-DHPNC846C	36.81
	D2NN-C846-D		75/81	I-TR-3	1	2	FD-DHPNC846B	26.81
	D8NN-C846-AA		75/81	I-U-3	1-3/8	3-1/2	FD-PRNPMCKS916	37.80

FORD

REPLACEMENT KITS FOR FORD EQUIPMENT

Kit Number	Code (Pg. 14)	Pist.	Rod X Bore Size	List Price
FD-251033	P-UV-9	2 pc.	63 X 125 mm	\$349.31
FD-251034	P-UV-9	2 pc.	56 X 115 mm	339.04
FD-251035	P-V-9	2 pc.	50 X 100 mm	522.34
FD-251036	P-UV-9	2 pc.	63 X 115 mm	310.82
FD-251037	P-UV-9	2 pc.	56 X 110 mm	354.36
FD-251038	P-UV-8	2 pc.	50 X 100 mm	217.88
FD-251072	P-UV-8	1 pc.	40 X 70 mm	60.38
FD-251073	P-U-10	1 pc.	40 X 80 mm	87.06
FD-251074	P-U-10	1 pc.	50 X 80 mm	71.79
FD-251074B	P-U-10	1 pc.	50 X 80 mm	109.81
FD-251159	P-UV-9	2 pc.	63 X 150 mm	370.92
FD-251160	P-UV-9	2 pc.	63 X 125 mm	356.94
FD-251162	P-U-10	1 pc.	50 X 70 mm	68.50
FD-251303	P-UV-10	1 pc.	50 X 110 mm	175.76
FD-251315	P-UV-10	1 pc.	56 X 100 mm	162.54
FD-251316	P-UV-10	1 pc.	50 X 100 mm	324.78
FD-251317	P-V-10	1 pc.	50 X 80 mm	239.45
FD-251318	P-UV-10	1 pc.	56 X 115 mm	250.74
FD-251319	P-UV-10	1 pc.	63 X 115 mm	195.09
FD-251320	P-UV-10	1 pc.	63 X 125 mm	180.28
FD-251321	P-UV-10	1 pc.	63 X 90 mm	236.09
FD-251339	P-UV-10	2 pc.	50 X 100 mm	270.07
FD-251361	P-U-10	1 pc.	45 X 70 mm	157.51
FD-251362	P-U-10	1 pc.	2 X 3	47.20
FD-251363	P-U-10	1 pc.	1-1/2 X 3	48.89
FD-251369	P-U-10	1 pc.	35 X 60 mm	69.40
FD-251370	P-U-10	1 pc.	40 X 60 mm	77.99
FD-309938	P-V-8	2 pc.	1-3/4 x 3-1/2	137.61
FD-309939	P-V-8	2 pc.	1-3/4 X 4-1/2	123.26
FD-309940	P-V-8	2 pc.	1-3/4 X 4	114.45
FD-309941	P-V-8	2 pc.	2 X 4-1/2	139.32
FD-309945	P-V-9	2 pc.	1-3/4 X 3-1/2	153.34
FD-309946	P-V-9	2 pc.	2 X 4	183.31
FD-309947	P-V-9	2 pc.	2 X 4-1/2	151.12
FD-309948	P-V-9	2 pc.	2-1/4 X 4-1/2	259.00
FD-309949	P-V-9	2 pc.	2-1/2 X 3-1/2	134.11
FD-309950	P-V-9	2 pc.	1-3/4 X 3-1/2	157.63
FD-309951	P-V-9	2 pc.	2-1/4 X 4	162.38
FD-309956	P-V-8	2 pc.	1-1/2 X 2	69.50
FD-309957	P-V-8	2 pc.	1-1/4 X 2	92.53
FD-309959	P-V-8	2 pc.	1-1/2 X 3	175.86
FD-309960	P-V-8	2 pc.	2 X 3	94.81

Kit Number	Code (Pg. 14)	Pist.	Rod X Bore Size	List Price
FD-309962	P-V-9	2 pc.	2-1/2 X 5	\$184.31
FD-309963	P-V-9	2 pc.	2-1/2 X 5-1/2	196.09
FD-309969	P-V-9	2 pc.	2-1/4 X 3-3/4	277.02
FD-309970	P-V-9	2 pc.	2-1/2 X 4	167.38
FD-309974F	P-V-8	2 pc.	1-1/2 X 3	153.06
FD-309977	P-V-9	2 pc.	2-1/2 X 5-1/2	216.04
FD-309978	P-V-9	2 pc.	3 X 6	229.62
FD-309979	P-V-9	2 pc.	3 X 6-1/2	253.15
FD-309980	P-V-9	2 pc.	2 X 4-1/2	166.79
FD-309981	P-V-9	2 pc.	2-1/2 X 5.025	188.50
FD-309984	P-U-8	2 pc.	2 X 3.025	78.67
FD-309984F	P-U-8	2 pc.	2 X 3	117.40
FD-309985	P-U-8	2 pc.	1-1/2 X 3.025	94.40
FD-309985F	P-U-8	2 pc.	1-1/2 X 3	116.54
FD-7708145	P-U-13	1 pc.	2 X 3	81.30
FD-83971999	P-UB-10	1 pc.	56 X 100 mm	186.66
FD-85802567	P-UB-10	1 pc.	50 X 90 mm	105.72
FD-85802568	P-UB-10	1 pc.	63 mm X 5.125	350.11
FD-85802569	P-UB-10	1 pc.	50 X 70 mm	107.46
FD-85802570	I-UB-10	1 pc.	50 X 110 mm	122.08
FD-85804740	P-UB-10	1 pc.	40 X 80 mm	104.92
FD-85804741	P-UB-10	1 pc.	63 X 125 mm	247.29
FD-85804742	P-UB-10	1 pc.	63 X 115 mm	272.09
FD-85804743	P-U-10	1 pc.	63 X 90 mm	204.83
FD-FINN3A539AA	I-U-10	1 pc.	40 mm X 2-3/4	68.02
FD-FP398	P-UB-10	1 pc.	56 X 100 mm	145.80
FD-FP410	P-UB-10	1 pc.	56 X 115 mm	139.16
FD-FP417	P-UB-10	1 pc.	50 X 80 mm	109.81
FD-FP419	P-UB-10	1 pc.	40 X 70 mm	113.22
FD-FP454	P-UB-10	1 pc.	56 x 115 mm	254.79
FD-FP455	P-UB-10	1 pc.	63 x 115 mm	172.91
FD-FP456	P-U-10	1 pc.	63 x 90 mm	130.33
FD-FP457	P-UB-10	1 pc.	50 X 80 mm	96.36
FD-FP458	P-UB-10	1 pc.	56 X 100 mm	186.66
FD-FP459	P-UB-10	1 pc.	50 X 70 mm	107.57
FD-FP460	P-UB-10	1 pc.	50 x 110 mm	189.40
FD-FP528	P-UB-9	1 pc.	63 X 125 mm	334.89

FORD

FORD TRACTORS

Kit Number	Code (Pg. 14)	Rod X Bore Size	List Price
FD-7102289	N-OB-1	1-1/4 ROD	\$16.72
FD-CE41200904	P-OB-10	7/8 X 2	34.20
FD-CE41300922	P-OB-10	1-1/4 X 3	77.59
FD-DHPNC846B	I-TR-3	1 X 2	26.81
FD-DHPNC846C	I-TR-3	1-3/8 X 3	36.81

FORD VEE SETS

Part Number	I.D.	O.D.	H.	List Price
FVS12504S079	1-1/4	1-3/4	.079	\$34.22
FVS15004S128	1-1/2	2	1.265	53.87
FVS15004U087	1-1/2	2	7/8	27.51
FVS22504U087	2-1/4	2-3/4	7/8	44.49
FVS25004U087	2-1/2	3	7/8	46.36
FVS25004X100	2-1/2	3	1	70.78
FVS30206S118	2.275	3.025	1-3/16	72.46
FVS35206S102	2.775	3.525	1.015	46.51
FVS37706D102	3.025	3.775	1.015	75.63
FVS40206D102	3.275	4.025	1.015	69.05
FVS45206D102	3.775	4.525	1.015	71.44
FVS45206S102	3.775	4.525	1.015	67.56
FVS50206D102	4.275	5.025	1.015	63.52
FVS55206D102	4.775	5.525	1.015	69.48
FVS60206D102	5-1/4	6	1.015	84.31
FVS65206D102	5-3/4	6-1/2	1.015	101.85

REPLACEMENT PARTS FOR FORD

NOTE: Ford part numbers are used as a reference only. We do not imply that these kits are original REPLACEMENT PARTS.

BACK-UP RINGS

Part Number	Min Pkg Qty	List Price
FD-7701432	10	\$1.64
FD-83912407	10	1.36
FD-83963261	2	19.95
FD-83963264	2	14.94

BUFFER RINGS

Part Number	Rod Dia.	List Price
FD-83962601	40 mm	\$12.66
FD-83963211	56 mm	14.30

O-RINGS

Part Number	Min Pkg Qty	List Price
FD-83911408	5	\$3.24
FD-83937337	10	1.97
FD-83963231	10	2.01
FD-87031S91	50	0.10
FD-87032S92	50	0.10
FD-87033S91	50	0.10
FD-87034S92	50	0.10
FD-87036S92	50	0.12
FD-87037S92	50	0.12
FD-87039S91	50	0.14
FD-87043S92	50	0.17
FD-NCA38368	50	0.12

ROD BUSHINGS

Part Number	Rod Dia.	List Price
FD-83963215	56 mm	\$16.70

U-SEALS

Part Number	Rod Dia.	List Price
FD-83962600	40 mm	\$20.09
FD-83986700	56 mm	28.79

WIPERS

Part Number	Rod Dia.	List Price
FD-83910527	56 mm	\$28.58
FD-83910528	63 mm	33.22
FD-83912409	40 mm	30.30

FRANKLIN

Repair parts for Franklin are available online at www.HerculesUS.com or by contacting the Hercules Sales Team at the information provided below.

FRUEHAUF BOTTOM DUMP AIR CYLINDERS

Repair parts for Fruehauf are available online at www.HerculesUS.com or by contacting the Hercules Sales Team at the information provided below.

FURUKAWA

Kit Number	Code (Pg. 14)	Rod X Bore Size	List Price
FUR-341541-99110	P-U-5	40 X 80	\$243.95
FUR-341831-99110	P-U-5	65 X 140	235.78
FUR-341831-99120	I-U-5	55 X 110	199.35

GALBREATH ROLL-OFF

Kit Number	Code (Pg. 14)	Rod X Bore Size	List Price
GLB-1110	I-U-12	4-1/2 X 6	\$248.43
GLB-1905		NB1669-1	22.79
GLB-2473	I-U-12	3 X 7	199.61
GLB-2481		X73-37-17	10.62
GLB-3135	I-U-1	3 Rod Kit	49.92

GALION-DRESSER

Kit Number	Description	List Price
GD-D48664	5-1/2" Double Acting Vee Set	\$63.35
GD-D50182	3-1/2" Double Acting Vee Set	106.32
GD-D63806	11-1/4" X 12 Vee Set	321.55

GARWOOD

Repair parts for Garwood are available online at www.HerculesUS.com or by contacting the Hercules Sales Team at the information provided below.

Forklifts							
APPLICATION	CYL #	SERIAL #	CODE	ROD	BORE	KIT #	List \$
MODEL 552, 553							
ATTACHMENT ROTATE	L63594		I-U-10	1	2-1/2	GEHL-L99170	60.43
ATTACHMENT SLAVE	L63014		I-U-11	1-3/4	3-1/2	GEHL-L98527	62.53
ATTACHMENT TILT	L63013		I-U-11	2	4	GEHL-L98548	97.92
BOOM EXTEND	L63012		I-U-11	2-1/2	3-1/2	GEHL-L98558	120.49
BOOM LIFT	L63199		I-U-11	2-1/2	4-1/2	GEHL-L98521	110.70
FORK SHIFT	L66920		I-U-10	1-1/4	2	GEHL-L99958	126.66
FRAME LEVEL	L63015		I-U-11	1-3/4	4	GEHL-L98506	73.41
STEER	L98444		I-U-10	45 mm	90 mm	GEHL-L98565	186.68
MODEL 663							
BOOM EXTEND	L64333		I-U-10	3	4	GEHL-L99386	131.80
BOOM LIFT	L64014		I-U-10	3	4	GEHL-L99331	188.68
CARRIER SLAVE	L61869		I-U-10	1-3/4	3-1/2	GEHL-L99332	99.11
CARRIER TILT	L61868		I-U-10	2	4	GEHL-L99385	146.62
FRAME SWAY	L64054	Prior-4319	I-U-10	3	4	GEHL-L97674	110.48
	L64085	4320-4356	P-U-5	1-3/4	4	GEHL-L97903	105.71
	L64818	4357-UP	I-U-10	1-3/4	4	GEHL-L99382	123.34
ROTATE CARRIAGE	L61317		I-U-10	1-3/8	3	GEHL-L97769	73.51
STEER	L97649-L97976		I-U-10	1-1/8	2-1/4	GEHL-L97978	58.72
MODEL 883							
ATTACHMENT TILT	L49988A	7001-7004	I-U-10	2-1/2	5	GEHL-L97716	158.32
	L64086	7005-7444	P-U-10	2-1/2	5	GEHL-L97922	127.89
BOOM EXTEND	L64385	7001-7004	I-U-10	3-1/2	4-1/2	GEHL-L97713	127.49
	L66770	7446-UP	I-U-10	3-1/2	4-1/2	GEHL-L99376	153.01
BOOM LIFT	L64083	7005-7445	I-U-10	3-1/2	4-1/2	GEHL-L97908	85.36
	L64401	7001-7004	I-U-10	3-1/2	4-1/2	GEHL-L97711	106.29
BOOM SLAVE	L64087	7001-7004	I-U-10	2-1/4	4-1/2	GEHL-L97917	88.94
	L64087	7005-7171	I-U-10	2-1/4	4-1/2	GEHL-L97715	99.39
	L66032	7172-7444	I-U-10	2-1/4	4-1/2	GEHL-L97917	88.94
	L66666	7445-UP	I-U-11	2-1/4	5	GEHL-L99330	147.25
FORK SHIFT	L66920		I-U-10	1-1/4	2	GEHL-L99958	126.66
FRAME LEVEL	L64085	7005-7445	P-U-5	1-3/4	4	GEHL-L97903	105.71
	L64818	7001-7004, 7446-UP	I-U-10	1-3/4	4	GEHL-L99382	123.34
MAST LIFT	L66537		I-U-10	2	3	GEHL-L98848	60.61
OUTRIGGER	L64968	Prior-7386	I-U-10	2-1/2	4	GEHL-L97938	69.89
	L66642	7387-UP	I-U-11	2-1/2	4	GEHL-L99059	94.36
ROTATE CARRIAGE	L61317		I-U-10	1-3/8	3	GEHL-L97769	73.51
STEER	L97649		I-U-10	1-1/8	2-1/4	GEHL-L97978	58.72
	L99428		I-U-10	1-1/8	3	GEHL-L99430	74.33
SWING CARRIAGE	L63970	2781-UP	I-U-10	1-1/4	2-1/2	GEHL-L99944	59.33
	L65659	Prior-2780	I-U-10	1-3/8	3	GEHL-L97955	94.02
Loaders - Skid Steer							
APPLICATION	CYL #	SERIAL #	CODE	ROD	BORE	KIT #	List \$
MODEL SL4240E							
LIFT	170-35000		I-U-10,12	1-1/4	2-1/4	GEHL-190-32923	23.55
TILT	190828		I-U-10,12	1-1/4	2-1/4	GEHL-190-32923	23.55
MODEL SL4640E							
LIFT	139452		I-U-10	1-1/2	2-1/2	GEHL-134848	21.70
TILT	183399		I-U-10	1-3/8	2-1/2	GEHL-134849	23.62
MODEL SL4840E							
LIFT	139452		I-U-10	1-1/2	2-1/2	GEHL-134848	21.70
TILT	183399		I-U-10	1-3/8	2-1/2	GEHL-134849	23.62
MODEL SL5240E							
LIFT	139452		I-U-10	1-1/2	2-1/2	GEHL-134848	21.70
TILT	183399		I-U-10	1-3/8	2-1/2	GEHL-134849	23.62

Loaders - Skid Steer							
APPLICATION	CYL #	SERIAL #	CODE	ROD	BORE	KIT #	List \$
MODEL SL5640E							
LIFT	186074		I-U-10	1-1/2	2-3/4	GEHL-131299	20.92
TILT	183387		I-U-10	1-1/2	2-3/4	GEHL-131299	20.92
MODEL SL6640E							
LIFT	186074		I-U-10	1-1/2	2-3/4	GEHL-131299	20.92
TILT	183387		I-U-10	1-1/2	2-3/4	GEHL-131299	20.92

REPLACEMENT KITS FOR GEHL

Kit Number	Code (Pg. 14)	Rod X Bore Size	List Price
GEHL-131299	I-U-10	1-1/2 X 2-3/4	\$20.92
GEHL-134848	I-U-10	1-1/2 X 2-1/2	21.70
GEHL-134849	I-U-10	1-3/8 X 2-1/2	23.62
GEHL-190-32923	I-U-10,12	1-1/4 X 2-1/4	23.55
GEHL-L97617	I-U-10	2 X 4	71.87
GEHL-L97674	I-U-10	3 X 4	110.48
GEHL-L97711	I-U-10	3-1/2 X 4-1/2	106.29
GEHL-L97713	I-U-10	3-1/2 X 4-1/2	127.49
GEHL-L97715	I-U-10	2-1/4 X 4-1/2	99.39
GEHL-L97716	I-U-10	2-1/2 X 5	158.32
GEHL-L97769	I-U-10	1-3/8 X 3	73.51
GEHL-L97903	P-U-5	1-3/4 X 4	105.71
GEHL-L97908	I-U-10	3-1/2 X 4-1/2	85.36
GEHL-L97917	I-U-10	2-1/4 X 4-1/2	88.94
GEHL-L97922	P-U-10	2-1/2 X 5	127.89
GEHL-L97938	I-U-10	2-1/2 X 4	69.89
GEHL-L97955	I-U-10	1-3/8 X 3	94.02
GEHL-L97978	I-U-10	1-1/8 X 2-1/4	58.72
GEHL-L98506	I-U-11	1-3/4 X 4	73.41

Kit Number	Code (Pg. 14)	Rod X Bore Size	List Price
GEHL-L98521	I-U-11	2-1/2 X 4-1/2	\$110.70
GEHL-L98527	I-U-11	1-3/4 X 3-1/2	62.53
GEHL-L98548	I-U-11	2 X 4	97.92
GEHL-L98558	I-U-11	2-1/2 X 3-1/2	120.49
GEHL-L98565	I-U-10	45 X 90 mm	186.68
GEHL-L98848	I-U-10	2 X 3	60.61
GEHL-L99059	I-U-11	2-1/2 X 4	94.36
GEHL-L99170	I-U-10	1 X 2-1/2	\$60.43
GEHL-L99330	I-U-11	2-1/4 X 5	147.25
GEHL-L99331	I-U-10	3 X 4	188.68
GEHL-L99332	I-U-10	1-3/4 X 3-1/2	99.11
GEHL-L99376	I-U-10	3-1/2 X 4-1/2	153.01
GEHL-L99382	I-U-10	1-3/4 X 4	123.34
GEHL-L99385	I-U-10	2 X 4	146.62
GEHL-L99386	I-U-10	3 X 4	131.80
GEHL-L99430	I-U-10	1-1/8 X 3	74.33
GEHL-L99944	I-U-10	1-1/4 X 2-1/2	59.33
GEHL-L99958	I-U-10	1-1/4 X 2	126.66

GENIE

Kit Number	Code (Pg. 14)	Rod X Bore Size	List Price
GENIE-07.0721.0120GT	I-U-15	70 X 110	\$131.28
GENIE-07.0721.0121GT	I-U-15	50 X 70	156.87
GENIE-07.0721.0122GT	I-U-15	50 X 100	156.28
GENIE-07.0721.0123GT	I-U-15	60 X 120	124.34
GENIE-101252	P-U-15	100 X 140	271.23
GENIE-101254	I,P-U-15	40 X 75	101.96
GENIE-102126	MISC		196.76
GENIE-105549GT	I-U-10	55 X 75	100.09
GENIE-106119	MISC		133.40
GENIE-106125	MISC		69.22
GENIE-106508	MISC		102.64
GENIE-107813	WASHER		9.92
GENIE-110202	34542 VALVE KIT		18.96
GENIE-122944GT	Rotator Seal Kit		286.36
GENIE-1286600GT	Wheel Drive Kit		78.75
GENIE-139972	MISC		409.59
GENIE-18471	I-SP-10	1.5 X 2.5	66.54
GENIE-226542	MISC		283.30
GENIE-33487	I-U-10	1.5 X 3	90.51
GENIE-43018	O-rings + Back-ups		33.67
GENIE-44250	I-U-10	.750 X 20	60.48
GENIE-52620	I-U-10	1.500 X 30	44.60
GENIE-59050	I-U-14	1.5 X 2.5	102.23
GENIE-59169	I-U-10	10 X 20	56.06
GENIE-59444	I-U-10	1.750 X 2.5	94.20
GENIE-62341GT	Valve Kit		8.16
GENIE-62417	N-TR-5,11	2.125 X 3.5	258.42

Kit Number	Code (Pg. 14)	Rod X Bore Size	List Price
GENIE-63350	P-U-15	40 X 75	\$112.46
GENIE-63353	P-U-15	40 X 63	131.04
GENIE-63354	P-U-15	40 X 63	90.53
GENIE-640096	I-U-15	70 X 110	91.65
GENIE-65789	P-U-15	32 X 50	112.38
GENIE-72047	O-rings		24.75
GENIE-7-229-920GT	I-U-10	50 X 100	199.66
GENIE-74902GT	Valve Kit		11.20
GENIE-75469GT	P-U-15	40 X 63	74.24
GENIE-77189	P-U-15	45 X 90	99.53
GENIE-77364	P-U-15	40 X 75	74.14
GENIE-77521	P-U-15	45 X 63	58.48
GENIE-7-900-180	I-U-10	1.5 X 3.5	80.83
GENIE-7-900-88GT	I-U-10	45 X 90	181.41
GENIE-88338	P-U-10	25 X 50	70.42
GENIE-88338	P-U-10	25 X 50	70.42
GENIE-88338	P-U-10	25 X 50	70.42
GENIE-88349GT	P-U-10	40 X 63	105.43
GENIE-89066	P-U-10	25 X 50	87.16
GENIE-89294	P-U-10	40 X 63	80.74
GENIE-89310	O-rings + Back-ups		24.60
GENIE-89312GT	Valve Kit		15.15
GENIE-94258GT	P-U-15	40 X 75	90.02
GENIE-94620	MISC		79.75
GENIE-94625	O-Rings + Back-Ups		36.26
GENIE-94937	MISC		504.55

GLENCOE

Kit Number	Code (Pg. 14)	Rod X Bore Size	List Price
GLC-TH200B-K	I-TR-1	2-1/2, 2-7/8, 3-3/8 Stages	\$89.63
GLC-TH80	I-TR-1	2-3/8, 2-7/8 Stages	53.86
GLC-UA80568	I-TR-1	2-7/8, 3-3/8 Stages	70.79

Kit Number	Code (Pg. 14)	Rod X Bore Size	List Price
GLC-UA80569	I-TR-1	2-3/8, 2-7/8, 3-3/8 Stages	\$97.16
GLC-UA80570	I-TR-1	2-3/8, 2-7/8, 3-3/8, 3-7/8 Stgs	145.15
GLC-UA80589	I-TR-1	2-7/8, 3-3/8, 3-7/8 Stages	111.72

GRADALL

Forklifts - Rough Terrain							
APPLICATION	CYL #	SERIAL #	CODE	ROD	BORE	KIT #	List \$
MODEL 532C-6							
COMPENSATING	9112-3049	0188002-UP	I-U-10	3-1/8	6-1/4	GRD-91124049	103.66
CROWD	9112-3009	0188002-UP	P-U-10	2-1/2	3-1/2	GRD-91124044	66.02
	9112-5024	0188153-UP	P-U-14	2-1/2	3-1/2	GRD-91123080	232.66
LIFT(IOWA)	9112-3111	0288587, 0288692	P-UB-10	3	5-1/2	GRD-91124071	178.69
	9112-3111	0288695-0288715	P-UB-10	3	5-1/2	GRD-91124071	178.69
	9112-3111	0288940H-0388020H	P-UB-10	3	5-1/2	GRD-91124071	178.69
LIFT(SEITZ)	9112-3010	0188002-0288586	P-U-10	3	5-1/2	GRD-91124036	144.42
	9112-3010	0288588-0288691	P-U-10	3	5-1/2	GRD-91124036	144.42
	9112-3010	0288693, 0288694	P-U-10	3	5-1/2	GRD-91124036	144.42
	9112-3010	0288716-0288939	P-U-10	3	5-1/2	GRD-91124036	144.42
STEERING(IOWA)	9108-3467	0288587, 0288692	P-UB-10	1-1/4	2-1/2	GRD-91084305	99.21
	9108-3467	0288695-0288715	P-UB-10	1-1/4	2-1/2	GRD-91084305	99.21
	9108-3467	0288940H-0388020H	P-UB-10	1-1/4	2-1/2	GRD-91084305	99.21
STEERING(SEITZ)	9108-3281	0188002-0288586	P-U-10	1-1/4	2-1/2	GRD-91084183	47.01
	9108-3281	0288588-0288691	P-U-10	1-1/4	2-1/2	GRD-91084183	47.01
	9108-3281	0288693, 0288694	P-U-10	1-1/4	2-1/2	GRD-91084183	47.01
	9108-3281	0288716-0288939	P-U-10	1-1/4	2-1/2	GRD-91084183	47.01
SWAY(IOWA)	9108-3471	0288587, 0288692	P-UB-10	2	3-1/2	GRD-91084308	158.82
	9108-3471	0288695-0288715	P-UB-10	2	3-1/2	GRD-91084308	158.82
	9108-3471	0288940H-0388020H	P-UB-10	2	3-1/2	GRD-91084308	158.82
SWAY(SEITZ)	9108-3286	0188002-0288586	P-U-10	2	3-1/2	GRD-91084189	51.91
	9108-3286	0288588-0288691	P-U-10	2	3-1/2	GRD-91084189	51.91
	9108-3286	0288693, 0288694	P-U-10	2	3-1/2	GRD-91084189	51.91
	9108-3286	0288716-0288939	P-U-10	2	3-1/2	GRD-91084189	51.91
TILT	9112-3067	0188002-UP	P-U-10	2-1/2	5	GRD-91034278	75.58
MODEL 534B-6							
COMPENSATING	9103-3288	0144293H-UP	P-U-10	2-1/2	5	GRD-91034150	89.52
CROWD	9080-1293	8344001L-UP	I-U-10	2-1/2	4	GRD-90208023	90.97
CROWD(IOWA)	9103-3290	0144293H-UP	P-U-10	2-1/2	4	GRD-91034223	81.25
LIFT	9080-1333	8344001L-UP	I-U-10	2-1/2	5	GRD-90207953	71.66
LIFT(IOWA)	9103-3286	0144293H-UP	P-U-10	2-1/2	5	GRD-91034140	90.23
STEERING	9045-3034	For Service	P-UB-10	1-1/2	3	GRD-91144006	137.71
STEERING(IOWA)	9103-3291	0144293H-UP	P-U-10	1-1/2	3	GRD-91034145	62.81
STEERING(JARP)	9080-1313	8344001L-UP	I-U-10	1-1/2	3	GRD-90202551	35.04
SWAY	9080-1270	8344001L-8644030G	I-U-10	2	4	GRD-90201553	56.85
	9104-3139	8644031G-UP	I-U-10	2	4	GRD-91044205	45.85
SWAY(IOWA)	9104-3205	0144293H-UP	P-U-10	2	4	GRD-91044275	75.76
TILT	9080-1292	8344001L-8344011L	I-U-10	2	4	GRD-90201553	56.85
	9080-1357	8344012L-8744136G	I-U-10	2-1/2	4	GRD-91034049	61.09
TILT COMP	9080-1291	8344001L-8344011L	I-U-10	2	4	GRD-90201553	56.85
	9080-1356	8344012L-8744136G	I-U-10	2-1/2	4	GRD-91034049	61.09
TILT COMP(JARP)	9080-1328	8744142G-UP	I-U-10	2-1/2	5	GRD-90207954	64.86
TILT(IOWA)	9103-3287	0144293H-UP	P-U-10	2-1/2	5	GRD-91034150	89.52
TILT(JARP)	9080-1327	8744142G-UP	I-U-10	2-1/2	5	GRD-90207954	64.86
MODEL 534B-8							
COMPENSATING	9103-3288	0144293H-UP	P-U-10	2-1/2	5	GRD-91034150	89.52
CROWD	9080-1293	8344001L-UP	I-U-10	2-1/2	4	GRD-90208023	90.97
CROWD(IOWA)	9103-3290	0144293H-UP	P-U-10	2-1/2	4	GRD-91034223	81.25
LIFT	9080-1180	8344001L-UP	I-U-10	2-1/2	4-1/2	GRD-90207956	61.40
LIFT(IOWA)	9103-3286	0144293H-UP	P-U-10	2-1/2	5	GRD-91034140	90.23
STEERING	9045-3034	For Service	P-UB-10	1-1/2	3	GRD-91144006	137.71
STEERING(IOWA)	9103-3291	0144293H-UP	P-U-10	1-1/2	3	GRD-91034145	62.81
STEERING(JARP)	9080-1313	8344001L-UP	I-U-10	1-1/2	3	GRD-90202551	35.04
SWAY	9080-1270	8344001L-8644030G	I-U-10	2	4	GRD-90201553	56.85
	9104-3139	8644031G-UP	I-U-10	2	4	GRD-91044205	45.85

GRADALL

Replacement Kits For

GRADALL

Forklifts - Rough Terrain

APPLICATION	CYL #	SERIAL #	CODE	ROD	BORE	KIT #	List \$
MODEL 534B-8							
SWAY(IOWA)	9104-3205	0144293H-UP	P-U-10	2	4	GRD-91044275	75.76
TILT COMP(JARP)	9080-1328	8344001L-UP	I-U-10	2-1/2	5	GRD-90207954	64.86
TILT(IOWA)	9103-3287	0144293H-UP	P-U-10	2-1/2	5	GRD-91034150	89.52
TILT(JARP)	9080-1327	8344001L-UP	I-U-10	2-1/2	5	GRD-90207954	64.86
MODEL 534B-9							
COMPENSATING	9104-3304	0144860S-UP	P-U-10	2-1/2	5	GRD-91034278	75.58
CROWD	9103-3368	0144860S-UP	P-U-10	2-1/2	4	GRD-91034290	67.57
LIFT	9103-3371	0144860S-UP	P-U-10	2-1/2	5	GRD-91034278	75.58
STEERING	9103-3478	0244089S-UP	P-U-10	1-1/2	3	GRD-91034301	64.99
	9104-3316	0144860S-UP	P-U-10	1-1/2	3	GRD-91034301	64.99
SWAY	9103-3367	0144860S-UP	P-U-10	2	4	GRD-91034297	59.45
TILT	9103-3369	0144860S-UP	P-U-10	2-1/2	5	GRD-91034278	75.58
MODEL 534C-6							
COMPENSATING(IOWA)	9108-3470	0288587, 0288692	P-UB-10	2-1/2	5	GRD-91034339	146.22
	9108-3470	0288695-0288715	P-UB-10	2-1/2	5	GRD-91034339	146.22
	9108-3470	0288940H-0388020H	P-UB-10	2-1/2	5	GRD-91034339	146.22
COMPENSATING(SEITZ)	9108-3285	0188002-0288586	P-U-10	2-1/2	5	GRD-91084169	67.20
	9108-3285	0288588-0288691	P-U-10	2-1/2	5	GRD-91084169	67.20
	9108-3285	0288693, 0288694	P-U-10	2-1/2	5	GRD-91084169	67.20
	9108-3285	0288716-0288939	P-U-10	2-1/2	5	GRD-91084169	67.20
CROWD	9112-3009	0188002-UP	P-U-10	2-1/2	3-1/2	GRD-91124044	66.02
	9112-5024	0188153-UP	P-U-14	2-1/2	3-1/2	GRD-91123080	232.66
LIFT(IOWA)	9112-3111	0288587, 0288692	P-UB-10	3	5-1/2	GRD-91124071	178.69
	9112-3111	0288695-0288715	P-UB-10	3	5-1/2	GRD-91124071	178.69
	9112-3111	0288940H-0388020H	P-UB-10	3	5-1/2	GRD-91124071	178.69
LIFT(SEITZ)	9112-3010	0188002-0288586	P-U-10	3	5-1/2	GRD-91124036	144.42
	9112-3010	0288588-0288691	P-U-10	3	5-1/2	GRD-91124036	144.42
	9112-3010	0288693, 0288694	P-U-10	3	5-1/2	GRD-91124036	144.42
	9112-3010	0288716-0288939	P-U-10	3	5-1/2	GRD-91124036	144.42
STEERING(IOWA)	9108-3467	0288587, 0288692	P-UB-10	1-1/4	2-1/2	GRD-91084305	99.21
	9108-3467	0288695-0288715	P-UB-10	1-1/4	2-1/2	GRD-91084305	99.21
	9108-3467	0288940H-0388020H	P-UB-10	1-1/4	2-1/2	GRD-91084305	99.21
STEERING(SEITZ)	9108-3281	0188002-0288586	P-U-10	1-1/4	2-1/2	GRD-91084183	47.01
	9108-3281	0288588-0288691	P-U-10	1-1/4	2-1/2	GRD-91084183	47.01
	9108-3281	0288693, 0288694	P-U-10	1-1/4	2-1/2	GRD-91084183	47.01
	9108-3281	0288716-0288939	P-U-10	1-1/4	2-1/2	GRD-91084183	47.01
SWAY(IOWA)	9108-3471	0288587, 0288692	P-UB-10	2	3-1/2	GRD-91084308	158.82
	9108-3471	0288695-0288715	P-UB-10	2	3-1/2	GRD-91084308	158.82
	9108-3471	0288940H-0388020H	P-UB-10	2	3-1/2	GRD-91084308	158.82
SWAY(SEITZ)	9108-3286	0188002-0288586	P-U-10	2	3-1/2	GRD-91084189	51.91
	9108-3286	0288588-0288691	P-U-10	2	3-1/2	GRD-91084189	51.91
	9108-3286	0288693, 0288694	P-U-10	2	3-1/2	GRD-91084189	51.91
	9108-3286	0288716-0288939	P-U-10	2	3-1/2	GRD-91084189	51.91
	9108-3286	0288940H-0388020H	P-UB-10	2	3-1/2	GRD-91084189	51.91
TILT(IOWA)	9108-3472	0288587, 0288692	P-UB-10	2	4	GRD-91034337	105.49
	9108-3472	0288695-0288715	P-UB-10	2	4	GRD-91034337	105.49
	9108-3472	0288940H-0388020H	P-UB-10	2	4	GRD-91034337	105.49
TILT(SEITZ)	9108-3379	0188002-0288586	P-U-10	2	4	GRD-91034297	59.45
	9108-3379	0288588-0288691	P-U-10	2	4	GRD-91034297	59.45
	9108-3379	0288693, 0288694	P-U-10	2	4	GRD-91034297	59.45
	9108-3379	0288716-0288939	P-U-10	2	4	GRD-91034297	59.45

GRADALL

GRADALL

Kit Number	Code (Pg. 14)	Rod X Bore Size	List Price
GRD-8692-5036	P-U-10	3-1/4 X 5	\$468.44
GRD-90201553	I-U-10	2X4	56.85
GRD-90202551	I-U-10	1-1/2X3	35.04
GRD-90207953	I-U-10	2-1/2X5	71.66
GRD-90207954	I-U-10	2-1/2X5	64.86
GRD-90207956	I-U-10	2-1/2X4-1/2	61.40
GRD-90208023	I-U-10	2-1/2X4	90.97
GRD-91034049	I-U-10	2-1/2X4	61.09
GRD-91034140	P-U-10	2-1/2X5	90.23
GRD-91034145	P-U-10	1-1/2X3	62.81
GRD-91034150	P-U-10	2-1/2X5	89.52
GRD-91034223	P-U-10	2-1/2X4	81.25
GRD-91034278	P-U-10	2-1/2X5	75.58
GRD-91034290	P-U-10	2-1/2X4	67.57
GRD-91034297	P-U-10	2X4	59.45
GRD-91034301	P-U-10	1-1/2X3	64.99
GRD-91034337	P-UB-10	2X4	105.49
GRD-91034339	P-UB-10	2-1/2X5	146.22
GRD-91044205	I-U-10	2X4	45.85
GRD-91044275	P-U-10	2X4	75.76
GRD-91044335	I-U-11, 12	2-1/2 X 5	176.07
GRD-91084169	P-U-10	2-1/2X5	67.20

Kit Number	Code (Pg. 14)	Rod X Bore Size	List Price
GRD-91084183	P-U-10	1-1/4X2-1/2	\$47.01
GRD-91084189	P-U-10	2X3-1/2	51.91
GRD-91084305	P-UB-10	1-1/4X2-1/2	99.21
GRD-91084308	P-UB-10	2X3-1/2	158.82
GRD-91123080	P-U-14	2-1/2X3-1/2	232.66
GRD-91124036	P-U-10	3X5-1/2	144.42
GRD-91124044	P-U-10	2-1/2X3-1/2	66.02
GRD-91124049	I-U-10	3-1/8X6-1/4	103.66
GRD-91124071	P-UB-10	3X5-1/2	178.69
GRD-91144006	P-UB-10	1-1/2X3	137.71

Replacement Kits For

GROVE CRANE

Cranes - Rough Terrain

APPLICATION	CODE	ROD	BORE	MISC	KIT #	List \$
MODEL RT58B, RT58C, RT58D						
BOOM LIFT	I-U-11	3-5/8	8-1/4		GC9752100164	466.57
BOOM TELE	I-U-11	4-1/2	6-1/2		GC9752100232	276.53
EXTENSION	I-U-11	3-5/8	7		GC9752100329	391.59
STABILIZER	I-U-11	3-5/8	7		GC9752100329	391.59
SWIVEL	SWIVEL		7-1/2		GC9752100358	160.77
MODEL RT60S						
BOOM LIFT	I-U-10	3-1/2	8-1/4		GC9752100027	95.61
BOOM TELE	I-U-11	3-5/8	5		GC9752100076	216.18
	I-U-11	3	4		GC9752100114	96.32
EXTENSION	I-U-11	1-3/4	3		GC9752100072	66.03
STABILIZER	I-U-11	3-5/8	5		GC9752100076	216.18
SWIVEL	SWIVEL		3-3/4		GC9752100303	74.62
	SWIVEL		8-1/4		GC9752100302	493.45
MODEL RT515, RT518, RT525, RT527						
BOOM LIFT	I-U-11	3-5/8	9		GC9752100199	494.55
BOOM TELE	I-U-11	5	6-1/2		GC9752100238	318.38
EXTENSION	I-U-11	1-3/4	3		GC9752100072	66.03
STABILIZER	I-U-11	4	5-1/2		GC9752100240	364.38
SWIVEL	SWIVEL		8-1/2		GC9752100311	319.25
	SWIVEL		5-1/2		GC9752100312	141.93

Cranes - Truck Mounted

APPLICATION	CODE	ROD	BORE	MISC	KIT #	List \$
MODEL TM150, TM155						
BOOM LIFT	I-U-10	3-1/2	8-1/4		GC9752100027	95.61
	I-U-10	3-5/8	8-1/4		GC9752100074	243.93
BOOM TELE	I-U-11	3-5/8	5		GC9752100034	117.07
	I-U-11	2-5/8	4		GC9752100035	88.31
EXTENSION	I-U-11	1-3/4	3		GC9752100072	66.03
	I-U-10	1-3/4	3		GC9752100019	54.03
STABILIZER	I-U-10	3-5/8	5		GC9752100008	100.10
MODEL TM180						
BOOM LIFT	I-U-10	3-1/2	8-1/4		GC9752100027	95.61
BOOM TELE	I-U-11	3-5/8	5		GC9752100076	216.18
	I-U-11	2-5/8	4		GC9752100075	143.85
	I-U-11	3	4		GC9752100114	96.32
EXTENSION	I-U-11	1-3/4	3		GC9752100072	66.03
STABILIZER	I-U-11	3-5/8	5		GC9752100076	216.18
MODEL TM250						
BOOM LIFT	I-U-10	6	11		GC9752100029	375.33
BOOM TELE	I-U-11	5-1/2	7		GC9752100193	301.54
EXTENSION	I-U-11	1-3/4	3		GC9752100072	66.03
JACK	I-U-11	3-5/8	5		GC9752100229	316.13
STABILIZER	I-U-11	3-5/8	5		GC9752100229	316.13
SWIVEL	SWIVEL		8-1/2		GC9752100306	219.39
	SWIVEL		8-1/2		GC9752100314	525.42
MODEL TM300						
BOOM LIFT	I-U-10	6-1/2	8-1/4		GC9752100146	450.07
BOOM TELE	I-U-11	4-1/2	5-1/2		GC9752100157	246.09
EXTENSION	I-U-11	1-3/4	3		GC9752100072	66.03
JACK	I-U-11	3-5/8	5		GC9752100229	316.13
STABILIZER	I-U-11	4-3/4	6		GC9752100162	249.76
SWIVEL	SWIVEL		8-1/2		GC9752100314	525.42
MODEL TM400						
BOOM LIFT	I-U-10	6-1/2	12-1/2		GC9752100039	382.69
BOOM TELE	I-U-11	4-1/2	6		GC9752100077	176.32
	I-U-11	3-5/8	5		GC9752100076	216.18
EXTENSION	I-U-11	1-3/4	3		GC9752100072	66.03

GROVE CRANE

Replacement Kits For

GROVE CRANE

Cranes - Truck Mounted						
APPLICATION	CODE	ROD	BORE	MISC	KIT #	List \$
MODEL TM400						
STABILIZER	I-U-10	4-1/2	7-1/2		GC9576100048	91.38
MODEL TM475						
BOOM TELE	I-U-11	4-1/2	5-1/2		GC9752100202	362.94
EXTENSION	I-U-11	1-3/4	3		GC9752100072	66.03
JACK	I-U-11	3-5/8	5		GC9752100229	316.13
STABILIZER	I-U-11	4-3/4	6		GC9752100162	249.76
SWIVEL	SWIVEL		8-1/2		GC9752100314	525.42
MODEL TM750E						
BOOM TELE	I-U-11	5	6		GC9752100293	427.26
EXTENSION	I-U-11	1-3/4	3		GC9752100369	111.07
JACK	I-U-11	3-5/8	5		GC9752100364	267.56
STABILIZER	I-U-11	4-3/4	6		GC9752100163	235.80
SWIVEL	SWIVEL		5-1/2		GC9752100300	57.56
MODEL TM800						
EXTENSION	I-U-11	5-1/2	6-1/2		GC9752100090	278.07
MODEL TM870E						
BOOM LIFT	I-U-11	7	10		GC9752100286	728.11
EXTENSION	I-U-11	1-3/4	3		GC9752100072	66.03
JACK	I-U-11	4-3/4	6		GC9752100163	235.80
STABILIZER	I-U-11	4-3/4	6		GC9752100163	235.80
SWIVEL	SWIVEL		5-1/2		GC9752100300	57.56
MODEL TMS250EB						
BOOM LIFT	I-U-10	6	11		GC9752100029	375.33
BOOM TELE	I-U-11	5-1/2	7		GC9752100193	301.54
EXTENSION	I-U-10	1-1/2	2-1/2		GC9752100363	80.64
JACK	I-U-11	3-5/8	5		GC9752100364	267.56
STABILIZER	I-U-11	4	5-1/2		GC9752100387	336.53
SWIVEL	SWIVEL		8-1/2		GC9752100306	219.39
	SWIVEL		8-1/2		GC9752100538	622.48
MODEL TMS275						
BOOM LIFT	I-U-10	6	11		GC9752100029	375.33
BOOM TELE	I-U-11	3-5/8	5		GC9752100076	216.18
EXTENSION	I-U-10	1-3/4	3		GC9752100009	53.70
STABILIZER	I-U-10	3-1/2	5-7/8		GC9372100153	126.84

GROVE CRANE

REPLACEMENT KITS FOR GROVE CRANE

GROVE CRANE

Kit Number	Code (Pg. 14)	Rod X Bore Size	List Price
GC360006321	I-OB-4	2-1/2 X 4-1/2	\$65.03
GC6576000014	I-U-10	2-5/8 X 4	70.13
GC7373000072	Swivel Kit	5-1/2	301.14
GC9372100153	I-U-10	3-1/2 X 5-7/8	126.84
GC9372100165	I-U-10	6 X 11	255.97
GC9372101365	I-U-4	2-1/2 X 4-1/2	68.10
GC9576000014	I-U-10	2-5/8 X 4	63.68
GC9576100048	I-U-10	4-1/2 X 7-1/2	91.38
GC9752100002	I-U-10	2-5/8 X 5	84.23
GC9752100003	I-U-10	1-1/4 X 3	33.34
GC9752100004	I-U-10	2-5/8 X 7	119.56
GC9752100008	I-U-10	3-5/8 X 5	100.10
GC9752100009	I-U-10	1-3/4 X 3	53.70
GC9752100019	I-U-10	1-3/4 X 3	54.03
GC9752100027	I-U-10	3-1/2 X 8-1/4	95.61
GC9752100029	I-U-10	6 X 11	375.33
GC9752100032	I-U-10	2-5/8 X 4	74.22
GC9752100034	I-U-11	3-5/8 X 5	117.07
GC9752100035	I-U-11	2-5/8 X 4	88.31
GC9752100039	I-U-10	6-1/2 X 12-1/2	382.69
GC9752100072	I-U-11	1-3/4 X 3	66.03
GC9752100074	I-U-10	3-5/8 X 8-1/4	243.93
GC9752100075	I-U-11	2-5/8 X 4	143.85
GC9752100076	I-U-11	3-5/8 X 5	216.18
GC9752100077	I-U-11	4-1/2 X 6	176.32
GC9752100079	I-U-11	2-5/8 X 5	184.56
GC9752100081	I-U-11	3-5/8 X 7	232.70
GC9752100082	I-U-11	2-5/8 X 7	222.09
GC9752100083	I-U-11	3-5/8 X 6	228.89
GC9752100085	I-U-11	2 X 4	82.38
GC9752100090	I-U-11	5-1/2 X 6-1/2	278.07
GC9752100111	I-U-11	4-3/4 X 6	259.09
GC9752100112	I-U-11	5-1/2 X 7	308.08
GC9752100114	I-U-11	3 X 4	96.32
GC9752100115		EXTENSION LINE KIT	90.20
GC9752100116		O-RING KIT	11.52
GC9752100117		O-RING KIT	69.19
GC9752100119		TUBE EXTENSION KIT	90.87
GC9752100121		O-RING KIT	14.36
GC9752100123	N-U-4	5/8 X 1-7/8	28.76
GC9752100127	I-U-11	6 X 10	536.42
GC9752100137	I-U-10	6 X 10	557.23
GC9752100138	I-U-13	7 X 11	885.70
GC9752100146	I-U-10	6-1/2 X 8-1/4	450.07

Kit Number	Code (Pg. 14)	Rod X Bore Size	List Price
GC9752100150	I-U-11	6 X 7	\$374.49
GC9752100152	I-U-10	7 X 11	559.54
GC9752100157	I-U-11	4-1/2 X 5-1/2	246.09
GC9752100160		O-RING KIT	11.89
GC9752100161		O-RING KIT	10.99
GC9752100162	I-U-11	4-3/4 X 6	249.76
GC9752100163	I-U-11	4-3/4 X 6	235.80
GC9752100164	I-U-11	3-5/8 X 8-1/4	466.57
GC9752100167	I-U-11	6 X 7	322.19
GC9752100168	I-U-11	5-1/2 X 7	398.82
GC9752100173	I-U-11	5-1/2 X 6-1/2	456.44
GC9752100180	I-U-11	6 X 8-1/4	425.93
GC9752100181	I-U-11	7 X 8-1/4	715.35
GC9752100182		VALVE KIT	17.05
GC9752100184	I-U-13	7 X 11	701.90
GC9752100184U	I-U-10	7 X 11 UNIV. KIT	976.48
GC9752100186	I-U-11	6 X 10	681.80
GC9752100187	I-U-11	3-5/8 X 6	266.42
GC9752100189	I-U-11	4-1/2 X 6	245.29
GC9752100192	I-U-11	6 X 10	886.11
GC9752100193	I-U-11	5-1/2 X 7	301.54
GC9752100198	I-U-11	7 X 11	926.42
GC9752100199	I-U-11	3-5/8 X 9	494.55
GC9752100202	I-U-11	4-1/2 X 5-1/2	362.94
GC9752100229	I-U-11	3-5/8 X 5	316.13
GC9752100232	I-U-11	4-1/2 X 6-1/2	276.53
GC9752100234	I-U-11	4-1/2 X 6	294.26
GC9752100235	I-U-11	2-5/8 X 5	182.52
GC9752100236	I-U-11	3-5/8 X 8-1/4	415.46
GC9752100238	I-U-11	5 X 6-1/2	318.38
GC9752100239	I-U-11	4 X 5-1/2	320.62
GC9752100240	I-U-11	4 X 5-1/2	364.38
GC9752100241	I-U-11	3-5/8 X 5	264.45
GC9752100242	I-U-11	2-5/8 X 5	268.23
GC9752100243	I-U-11	5-1/2 X 7	524.75
GC9752100267		O-RING KIT	8.02
GC9752100286	I-U-11	7 X 10	728.11
GC9752100290	I-U-11	6 X 9	661.48
GC9752100293	I-U-11	5 X 6	427.26
GC9752100298		7-1/2" SWIVEL KIT	264.50
GC9752100299		6" SWIVEL KIT	140.82
GC9752100300		5-1/2" SWIVEL KIT	57.56
GC9752100301		8-1/2" SWIVEL KIT	454.65
GC9752100302		8-1/4" SWIVEL KIT	493.45

REPLACEMENT KITS FOR GROVE CRANE

Kit Number	Code (Pg. 14)	Rod X Bore Size	List Price
GC9752100303		3-3/4" SWIVEL KIT	\$74.62
GC9752100306		8-1/2" SWIVEL KIT	219.39
GC9752100307		8-1/2" SWIVEL KIT	379.52
GC9752100311		8-1/2" SWIVEL KIT	319.25
GC9752100312		5-1/2" SWIVEL KIT	141.93
GC9752100314		8-1/2" SWIVEL KIT	525.42
GC9752100324	I-U-10	1-3/4 X 3	130.77
GC9752100328		VALVE KIT	18.09
GC9752100329	I-U-11	3-5/8 X 7	391.59
GC9752100345	I-U-11	4-1/2 X 5-1/2	283.16
GC9752100358		7-1/2" SWIVEL KIT	160.77
GC9752100361		7" SWIVEL KIT	222.34
GC9752100363	I-U-10	1-1/2 X 2-1/2	80.64
GC9752100364	I-U-11	3-5/8 X 5	267.56
GC9752100369	I-U-11	1-3/4 X 3	111.07
GC9752100377	I-U-11	3 X 4-1/2	180.21
GC9752100385		5-1/2" SWIVEL KIT	143.56

Kit Number	Code (Pg. 14)	Rod X Bore Size	List Price
GC9752100387	I-U-11	4 X 5-1/2	\$336.53
GC9752100391		Valve Kit	12.06
GC9752100445	I-U-11	6 X 9	672.83
GC9752100461	I-U-11	3-5/8 X 5	342.43
GC9752100463	I-UB-11	7 X 9	837.66
GC9752100466		EXTENSION LINE KIT	93.98
GC9752100467	I-U-11	3-5/8 X 7	426.33
GC9752100468	I-U-11	3-5/8 X 5	333.95
GC9752100470	I-UB-11	5 X 8-1/4	545.14
GC9752100475	I-U-11	7 X 9	724.47
GC9752100477	I-U-11	3 X 5-1/2	239.52
GC9752100491	I-U-11	3-5/8 X 8-1/4	410.84
GC9752100498		EXTENSION LINE KIT	70.45
GC9752100532	I-UB-9	5 X 6	992.41
GC9752100538		8-1/2" SWIVEL KIT	622.48
GC9752100563		5-1/2" SWIVEL KIT	143.56
GC9752101126		8-1/2" SWIVEL KIT	859.64

REPLACEMENT PARTS FOR GROVE CRANE

NOTE: Grove Crane part numbers are used as a reference only. We do not imply that these kits are original REPLACEMENT PARTS.

FACE SEALS

Part Number	List Price
GC-9372100033	\$19.13

WEAR RINGS

Part Number	OD X W	List Price
GC-7753000190	6-1/2 X 1/2	\$8.97
GC-9372100733	11 X 1/2	86.23

MODULAR BEARINGS

Part Number	ID	List Price
GC-9372100572	7	\$84.04

HARSH MFG.

Kit Number	Code (Pg. 14)	Rod X Bore Size	List Price
HM-A9113	I-OB-1	1-3/4 X 2-3/4	\$14.13
HM-A9112	I-OB-1	1-7/8 X 2-1/4	5.49
HM-A9114	I-OB-1	2-7/8" ROD	17.57
HM-A9115	I-OB-1	3-3/8" ROD	17.08
HM-A9116	I-OB-1	3-7/8" ROD	21.12

Replacement Kits For

HEIL

Refuse - Front Loaders								
APPLICATION	CYL #	SERIAL #	CODE	ROD	BORE	Miscellaneous	KIT #	List \$
MODEL Half Pak III Full Eject								
ARM	1-6813		N-N-14		115 mm		HL-1-6370-002	128.68
	1-6813		P-UB-1	63 mm			HL-1-6370-001	152.66
EJECTOR	1-6076		I,P-UB-12	3,4,5	STAGES		HL-K272-4872	1073.32
EJECTOR CYL	1-4911		I-V-12	3,4,5	STAGES		HL-K272-3588	830.79
FORK	1-4868		I-V-10	2	4		HL-K272-3582	86.35
	1-6671		N-N-10		100 mm		HL-1-6669-002	81.66
	1-6671		P-UB-1	50 mm			HL-1-6369-001	241.02
	1-6777		N-N-10		100 mm		HL-1-6669-002	81.66
	1-6777		P-UB-1	50 mm			HL-1-6777-001	207.86
	1-6778		N-N-10		100 mm		HL-1-6669-002	81.66
	1-6778		P-UB-1	50 mm			HL-1-6777-001	207.86
LIFT ARM	1-5150	3105106-	P-UB-14	2-1/2	4-1/2		HL-K272-3605	231.54
PACKER/EJECTOR	1-4911	SEPT 1998 - 3105162	I-V-12	3,4,5	STAGES		HL-K272-3588	830.79
	1-6076	3105300-	I,P-UB-12	3,4,5	STAGES		HL-K272-4872	1073.32
	1-6525		P-UB-1	100 mm			HL-1-6525-010	348.25
	1-6525		N-N-14		140 mm		HL-1-6525-011	227.34
	1-6597		I,P-UB-12	3,4,5	STAGES		HL-K272-4872	1073.32
	1-6598		I,P-UB-12	3,4,5	STAGES		HL-K272-4872	1073.32
1-6627		I,P-UB-12	3,4,5	STAGES		HL-K272-4872	1073.32	
SERVICE HOIST	1-6414		P-U-10	1-3/4	4		HL-1-3735-021	134.09
TAILGATE RAISE	1-6833		I,P-UB-1	45 mm			HL-1-6521-001	139.94
Refuse - Rear Loaders								
APPLICATION	CYL #	SERIAL #	CODE	ROD	BORE	Miscellaneous	KIT #	List \$
MODEL Formula 4000 & 4000 MK IV								
BLADE	1-4108	4F-1014878 -	I-V-10, 12	2-1/2	4		HL-K272-0956	120.49
CONTAINER ARM	1-4283	4F-1014878 -	I-V-10	1-1/2	3		HL-K272-0966	58.97
EJECTOR	1-4050		I-V-12	2,3,4,5	STAGES	18, 20 yds, Narrow Units	HL-K272-0933	256.50
	1-4053		I-V-12	2,3,4,5	STAGES	16, 18 yds, Narrow Units	HL-K272-0933	256.50
	1-4054		I-V-12	2,3,4,5	STAGES	25 yd, Narrow Units	HL-K272-0933	256.50
	1-6222		I-U-12	3,4,5	STAGES	11, 13 yds	HL-K272-4885	684.42
	1-6223		I-U-12	3,4,5	STAGES	11, 13 yds, Narrow Units	HL-K272-4885	684.42
	1-6224, 1-6225, 1-6226	4F-1014878 -	I-U-12	3,4,5,6	STAGES		HL-K272-4884	1041.23
GRAB-BAR	1-5069	4F-1014878 -	I-U-10	1-1/2	2-1/2		HL-K272-0958	59.42
GRAB-BAR MECHANISM	1-4105	4F-1014878 -	I-U-10	1-1/2	2-1/2		HL-K272-0958	59.42
REEVING	1-6061		I-UB-10	4	5-1/2		HL-K272-0989	124.89
	1-6189	4F-1014878 -	I-UB-10	4	5-1/2		HL-K272-0989	124.89
SLIDE	1-4110	4F-1014878 -	I-V-10, 12	2	4-1/2		HL-K272-0957	173.76
TAILGATE RAISE	1-4070	4F-1014878 -	I-V-1	2-1/2	3		HL-K272-0937	46.17
MODEL Formula 5000 - January 2006 and AFTER								
CONTAINER ARM MECHANISM	1-4283		I-V-10	1-1/2	3		HL-K272-0966	58.97
EJECTOR	1-6421		I-V-12	3,4,5,6,7	STAGES		HL-K272-8484	1286.97
	1-6426		I-V-12	3,4,5,6	STAGES		HL-K272-4880	604.99
	1-6427		I-V-12	3,4,5,6	STAGES		HL-K272-4880	604.99
INSIDE LOWER PANEL	1-6611		I,P-UB-14	3-1/2	5-1/2		HL-1-6611-004	310.33
OUTSIDE UPPER PANEL	1-6610		I-UB-14	2-1/2	5-1/2		HL-1-6610-007	203.69
REEVING	1-6061		I-UB-10	4	5-1/2		HL-K272-0989	124.89
ROLL BAR MECHANISM	1-4105		I-U-10	1-1/2	2-1/2		HL-K272-0958	59.42

HEIL

HEIL

Replacement Kits For

Refuse - Rear Loaders								
APPLICATION	CYL #	SERIAL #	CODE	ROD	BORE	Miscellaneous	KIT #	List \$
MODEL Formula 5000 - January 2006 and AFTER								
ROLL-BAR FLIPPER	1-5069		I-U-10	1-1/2	2-1/2		HL-K272-0958	59.42
TAILGATE RAISE	1-4880		I-V-1	3-1/2	4		HL-K272-0938	57.91
MODEL Formula 5000 & 5000 MK V								
CONTAINER ARM MECHANISM	1-4105, 1-4264		I-U-10	1-1/2	2-1/2		HL-K272-0958	59.42
CONTAINER DUMP	1-4283		I-V-10	1-1/2	3		HL-K272-0966	58.97
EJECTOR	1-4261, 1-4266, 1-4267		I-V-12	4,5,6	STAGES		HL-K272-0976	498.58
	1-4261, 63132-DA		I-V-12	4,5,6	STAGES	25 yd	HL-K272-0976	498.58
	1-4266, 63108-DA		I-V-12	4,5,6	STAGES	20 yd	HL-K272-0976	498.58
	1-4343	3722-	I-U-1	4,5,6,7	STAGES	32 yd	HL-K272-2774	702.65
	1-4821	2740 - 3721	I-V-12	4,5,6,7	STAGES	32 yd	HL-K272-3991	722.03
INSIDE LOWER PANEL	1-4347, 1-4887	2740 - 6845	I-V-10, 12	3-1/2	5-1/2		HL-K272-2776	124.33
	1-4887	2740 - 6845	I-V-10, 12	3-1/2	5-1/2		HL-K272-2776	124.33
	1-5111	6846-	P-UB-14	3-1/2	5-1/2		HL-K272-3609	355.33
OUTSIDE UPPER PANEL	1-4824, 1-4884	2740 - 6845	I-V-10	2-1/2	5		HL-K272-2778	114.28
	1-5110	6846-	P-UB-14	2-1/2	5		HL-K272-3608	235.41
PACKER BLADE	1-4884		I-V-10	2-1/2	5	Outside Cylinder	HL-K272-2778	114.28
	1-4887		I-V-10, 12	3-1/2	5-1/2	Inside Cylinder	HL-K272-2776	124.33
REEVING	1-4309	5002740 - 5008724	I-UB-10	4	5-1/2		HL-K272-0989	124.89
	1-6160	5008725-	I-UB-10	4	5-1/2		HL-K272-0989	124.89
	1-6160	5008725-	I-UB-4	1-1/8	3		HL-1-6160-100	112.53
TAILGATE RAISE	1-4348	2740 - 4236	I-V-1	3-1/2	4		HL-K272-0938	57.91
	1-4880	4237-	I-V-1	3-1/2	4		HL-K272-0938	57.91
Refuse - Side Loaders								
APPLICATION	CYL #	SERIAL #	CODE	ROD	BORE	Miscellaneous	KIT #	List \$
MODEL CP Python - Rapid Rail								
BODY RAISE	1-6445		I-U-4	3-1/4	4		HL-K272-8491	308.48
GRAB	1-6667		N-N-14		80 mm		HL-1-6767-003	137.88
LIFT/REACH	1-6666		N-N-14		80 mm		HL-1-6767-003	137.88
PACKER	1-6406		P-UB-14	1-1/2	5		HL-1-6406-100	269.74
TAILGATE RAISE	1-6754		I-U-10	1-1/2	3		HL-1-6754-001	109.04
MODEL Formula 7000								
BODY HOIST	1-4807	405 & up	I-V-5,12	1-1/2	3-1/2		HL-K272-3084	205.07
	1-4807	405-	I-V-1	3-1/4, 4	STAGES		HL-K272-3083	66.59
	1-6191	405-	I-U-4	3-1/4, 4	STAGES		HL-K272-4893	299.55
GRABBER	1-4297	405-	I-V-5,12	1-1/2	3-1/2		HL-272-2767	148.94
	1-4327	405-	I-V-12	1-1/2	3		HL-K272-0981	119.67
	1-4843	405-	I-V-12	1-1/2	3		HL-K272-0981	119.67
LIFT	1-4338	405-	I-V-12	1-1/2	3		HL-K272-0981	119.67
PACKER	1-4298	1 - 447	I-UB-10	4	5-1/2		HL-K272-0989	124.89
	1-4878	448-	I-UB-10	4	5-1/2		HL-K272-0989	124.89
REACH	1-4276	405-	I-V-12	1-1/2	3		HL-K272-0981	119.67
SIDE			I-V-10	3-1/2	5		HL-K272-0969	110.02
TAILGATE	1-4305	405-	I-V-10	1-1/2	3		HL-K272-0966	58.97
MODEL Rapid Rail Auto-Side Loader 01/2000 -								
ARM	1-6407		P-UB-14	2	3		HL-1-6404-100	192.24
BODY RAISE	1-6445		I-U-4	3-1/4	4		HL-K272-8491	308.48
DUMP	1-6407		P-UB-14	1-1/8	3		HL-1-6402-100	197.26
GRABBER CYL	1-6416		P-UB-14	1-1/8	3		HL-1-6402-100	197.26
IN-OUT	1-6403		I-UB-14	1-1/8	1-3/4		HL-1-6403-100	202.43

HEIL

Replacement Kits For

HEIL

Refuse - Side Loaders								
APPLICATION	CYL #	SERIAL #	CODE	ROD	BORE	Miscellaneous	KIT #	List \$
MODEL Rapid Rail Auto-Side Loader 01/2000 -								
PACKER	1-6406		P-UB-14	1-1/2	5		HL-1-6406-100	269.74
TAILGATE RAISE	1-6405		P-UB-10	1-1/8	3	Units built Jan/2000 and after	HL-1-6405-100	105.92
	1-6754		I-U-10	1-1/2	3	Units built July/2003 and after	HL-1-6754-001	109.04
MODEL Rapid Rail Auto-Side Loader 10/94 - 6/98								
ARM	1-6404		P-UB-14	2	3		HL-1-6404-100	192.24
BODY RAISE	1-4807	-1837	I-V-1	3-1/4, 4	STAGES		HL-K272-3083	66.59
	1-6191	1838-	I-U-4	3-1/4, 4	STAGES	2 Stage	HL-K272-4893	299.55
DUMP	1-6160		I-UB-4	1-1/8	3		HL-1-6160-100	112.53
DUMP & GRAB	1-6407		P-UB-14	1-1/8	3		HL-1-6402-100	197.26
GRIP	1-6330	-0329	I-UB-4	1-1/8	2-1/2		HL-K272-6627	110.13
	1-6331	0330-	I-UB-4	1-1/8	3		HL-1-6160-100	112.53
IN-OUT	1-6162		I-UB-14	1-1/8	1-3/4		HL-1-6194-100	154.61
	1-6403		I-UB-14	1-1/8	1-3/4		HL-1-6403-100	202.43
LIFT	1-6161		I-UB-4	2	3		HL-1-6161-100	141.13
PACKER	1-6164		I-UB-4	1-1/2	5		HL-1-6164-100	112.01
	1-6406		P-UB-14	1-1/2	5		HL-1-6406-100	269.74
TAILGATE	1-6405		P-UB-10	1-1/8	3		HL-1-6405-100	105.92
TAILGATE RAISE	1-6163		I-UB-4	1-1/8	3		HL-1-6160-100	112.53

HEIL

HEIL® REPAIR KIT

Kit Number	Cylinder Number	Description	Code	Rod	Bore	List \$
HL-001-6554-025			P-UB-10	1-1/2	3	102.93
HL-1-3690-09	1-3690, 1-3691		I-V-10	4	6	93.05
HL-1-3692-07	1-3692, 1-3695, 1-3717, 1-3719		I-U-10	1-1/2	2-1/2	21.53
HL-1-3693-09	1-3693		I-V-10	2-1/2	5	61.20
HL-1-3706-05	1-3705, 1-3706		I-V-10	4	6	126.08
HL-1-4098K	1-4098		I-V-10	2-1/2	7-1/2	117.07
HL-1-4181-16	1-4181		I-U-5	4	4-1/2	101.96
HL-1-5098K	1-5098		P-UB-14	2-1/2	4-1/2	222.25
HL-1-5110-10	1-5110		P-UB-14	2-1/2	5	235.41
HL-1-6070K	1-6070		P-UB-12,14	1-1/2	3	196.40
HL-1-6085-1K	1-6085		P-UB-12,14	1-1/2	3	271.46
HL-1-6160-100	1-6160, 1-6163, 1-6331		I-UB-4	1-1/8	3	112.53
HL-1-6161-100	1-6161		I-UB-4	2	3	141.13
HL-1-6164-100	1-6164		I-UB-4	1-1/2	5	112.01
HL-1-6194-100	1-6162		I-UB-14	1-1/8	1-3/4	154.61
HL-1-6402-100	1-6407		P-UB-14	1-1/8	3	197.26
HL-1-6403-100	1-6403		I-UB-14	1-1/8	1-3/4	202.43
HL-1-6404-100	1-6404		P-UB-14	2	3	192.24
HL-1-6405-100	1-6405		P-UB-10	1-1/8	3	105.92
HL-1-6406-100	1-6406		P-UB-14	1-1/2	5	269.74
HL-1-6754-001			I-U-10	1-1/2	3	109.04
HL-272-2767	001-4297		I-V-5,12	1-1/2	3-1/2	148.94
HL-6403-34	A1D3705,A1D3706		I-V-10	4	6	128.72
HL-A1C2819K	A1D2819		P-V-12	4-1/2	6-1/2	403.41
HL-A1D1275-2K	A1D1275-2K		I-V-1	3-1/2		83.82
HL-A1D1276K	A1D1276		I-V-1	2,3-1/2	STAGES	133.43
HL-A1D1285K	A1D1285		I-V-1	2-3/8		39.88
HL-A1D1868K		HH30 Reeving Cylinder	I-V-12	3-1/2	5	279.76
HL-A1D2105K	A1D2105		N-V-12	1-1/2	3	64.47
HL-A1D2801K	A1D2801		I-V-1	3-1/2		46.93
HL-A1D2844K	A1D2844		P-V-12	2-3/4	5-1/2	134.76
HL-A1D2847-1	A1D2847		I-V-1	3-1/2		60.26
HL-A1D2928K	A1D2928		I-V-12	2	4-1/2	71.74
HL-A1D3503K	A1D3503		I-V-1	3-1/2		45.79
HL-A1D3523K	A1D3523		I-V-1	2,3-1/2	STAGES	82.64
HL-A1D3541-14		Load Lugger	I-U-10	4	4-1/2	77.73
HL-A1D3672K	A1D3672K		I-V-10, 12	2-1/4	3-1/2	75.22
HL-A1D3809K	3809		I-U-10	2	4-1/2	95.41
HL-A1D3856K	A1D3856		I-U-1	2-1/4	3-1/2	46.47
HL-A1D3874K	A1D3874		I-V-1	3-1/2		37.60
HL-A1D3917	A1D3917		I-V-10	3-1/2	5	117.19
HL-K22-3132	A1D3606		I-U-10,12	1-1/2	3	42.22
HL-K252-9310	AIE2125		I-V-12	4-3/4, 6-1/4	STAGES	512.92
HL-K272-0659	A1D3873		I-V-12	2, 3-1/2	STAGES	130.84
HL-K272-0660	A1D3923		I-V-10	3-1/2	5	149.45
HL-K272-0661	A1D3924		I-V-10	3-1/2	5-1/2	140.80
HL-K272-0662	AID3605, 1-3623		I-U-1	2-1/2	3	47.88
HL-K272-0663	A1D3513		I-V-1	1-1/2		41.41
HL-K272-0664	A1D3921		I-U-10	2	4-1/2	88.78
HL-K272-0665	A1D39021-4017		I-U-10	2-1/4	3-1/2	80.87
HL-K272-0666	4 STAGE EJECTOR		I-V-12	2,3,4,5	STAGES	269.43
HL-K272-0667	A1D3904		I-U-10	2-3/4	5-1/2	141.74
HL-K272-0668	A1D3903		I-U-10	3-1/2	5	131.48
HL-K272-0669	A1D3802		I-U-1	3-1/2	4	51.88
HL-K272-0672	A001-3807		I-U-10	2-1/4	5-1/2	100.83
HL-K272-0673	A001-3531		I-U-10	1-1/2	3	71.83
HL-K272-0674	A001-3525		I-U-10	2	4	77.45
HL-K272-0676	A1D3835		I-V-12	2,3,4	STAGES	202.95

HEIL® REPAIR KIT

Kit Number	Cylinder Number	Description	Code	Rod	Bore	List \$
HL-K272-0677				2,3,4	BEARING	241.43
HL-K272-0933	1-4050, 1-4053, 1-4054		I-V-12	2,3,4,5	STAGES	256.50
HL-K272-0934	1-4052		I-V-12	2,3,4	STAGES	187.33
HL-K272-0937	1-4820, 1-4070		I-V-1	2-1/2	3	46.17
HL-K272-0938	1-4272, 1-4348, 1-4880		I-V-1	3-1/2	4	57.91
HL-K272-0939		Tailgate Cylinder	I-V-12	2-1/2	3	76.83
HL-K272-0941	1-4081		I-U-10, 12	2-3/4	5-1/2	207.33
HL-K272-0944	A1D4100		I-V-10	2-1/4	3-1/2	60.29
HL-K272-0945	A1D4101		I-V-10	2	4-1/2	72.76
HL-K272-0946	A1D4092		I-N-4	1-3/4	3	31.52
HL-K272-0948	A1D4093, 1-4340		I-V-10, 12	2-1/2	5	213.28
HL-K272-0949	A1D4094		I-V-10, 12	3	5	217.45
HL-K272-0950	1-4097		I-V-10, 12	3	4-1/2	144.05
HL-K272-0951			I-V-10	2-1/2	7-1/2	119.40
HL-K272-0953	A1D4103		I-V-10	3-1/2	5	158.97
HL-K272-0954	A1D4104		I-V-10	3-1/2	5-1/2	89.40
HL-K272-0955	A1D4106		I-V-10, 12	2, 3-1/2	STAGES	210.44
HL-K272-0956	A1D4108		I-V-10, 12	2-1/2	4	120.49
HL-K272-0956A	A1D4108		I-V-10	2-1/2	4	120.49
HL-K272-0957	A1D4110		I-V-10, 12	2	4-1/2	173.76
HL-K272-0957A	A1D4110		I-V-10	2	4-1/2	173.76
HL-K272-0958	1-4339, 1-4105, 1-4264		I-U-10	1-1/2	2-1/2	59.42
HL-K272-0959	1-4341, 1-4864		I-V-10	2	4	82.89
HL-K272-0962	A001-4114		I-V-12	1-1/2	3	98.21
HL-K272-0963	1-4265		I-V-10, 12	2-1/4	5-1/2	260.27
HL-K272-0966			I-V-10	1-1/2	3	58.97
HL-K272-0966	1-4305, 1-4283, 1-4870		I-V-10	1-1/2	3	58.97
HL-K272-0969			I-V-10	3-1/2	5	110.02
HL-K272-0974			I-U-10	2	4	85.02
HL-K272-0976	A001-4261		I-V-12	4,5,6	STAGES	498.58
HL-K272-0980			N-N-12		4	52.20
HL-K272-0981	1-4883, 1-4276, 1-4338, 1-4327		I-V-12	1-1/2	3	119.67
HL-K272-0983			I-U-5	4	4-1/2	164.99
HL-K272-0989	1-4309, 1-4298, 1-4878, 1-6160, 1-6189		I-UB-10	4	5-1/2	124.89
HL-K272-0994	1-4328, 1-4330		I-V-10	4	6	91.20
HL-K272-1024	1-4139, 1-4140, 1-4854, 1-4137, 1-4138		I-V-1	3-1/8,4,5	STAGES	132.67
HL-K272-1026	1-4141, 1-4142, 1-4143, 1-4144		I-V-1	4,5,6	STAGES	167.85
HL-K272-1027	1-4143, 1-4144, 1-4141, 1-4142		I-V-1	4,5,6	STAGES	237.71
HL-K272-2771	1-4344		I-V-10, 12	2	5	187.91
HL-K272-2774	001-4343		I-U-1	4,5,6,7	STAGES	702.65
HL-K272-2775	1-4345		I-V-10, 12	2	4	122.73
HL-K272-2776	001-4887		I-V-10, 12	3-1/2	5-1/2	124.33
HL-K272-2778			I-V-10	2-1/2	5	114.28
HL-K272-2880	1-4467		I-U-1	4, 5	STAGES	211.42
HL-K272-2924		Valve Kit				16.36
HL-K272-3083	001-4807		I-V-1	3-1/4, 4	STAGES	66.59
HL-K272-3334	1-4149		I-V-10	3-1/2	5	127.61
HL-K272-3572	1-4849		I-V-12	3-1/2	4	115.68
HL-K272-3581	1-4882		I-V-10	4	5-1/2	106.39
HL-K272-3582	1-4903, 1-6126, 1-4868, 1-4902		I-V-10	2	4	86.35
HL-K272-3583	1-4869		I-V-10	3-1/2	5	145.08
HL-K272-3584	1-4871		I-V-10, 12	2-1/2	4-1/2	117.08
HL-K272-3586	1-4876		I-U-5	1-1/2	2-1/8	49.73
HL-K272-3588	1-4911		I-V-12	3,4,5	STAGES	830.79
HL-K272-3594	1-5088		P-UB-10	1-3/4	3	95.11
HL-K272-3595	1-5082		P-UB-12,14	2	4	286.79
HL-K272-3600	1-5112, 1-5147		I,P-V,UB-1	3,4,5	STAGES	1101.17

HEIL

HEIL® REPAIR KIT

Kit Number	Cylinder Number	Description	Code	Rod	Bore	List \$
HL-K272-3605	1-5150		P-UB-14	2-1/2	4-1/2	231.54
HL-K272-3607	1-5146		P-UB-14	4	5-1/2	332.84
HL-K272-3608	001-5110		P-UB-14	2-1/2	5	235.41
HL-K272-3609	001-5111		P-UB-14	3-1/2	5-1/2	355.33
HL-K272-3991	1-4270		I-V-12	4,5,6,7	STAGES	722.03
HL-K272-3991			I-V-12	4,5,6,7	STAGES	722.03
HL-K272-4285			I-V-1	4,5,6	STAGES	285.00
HL-K272-4456			I-U-10	2	6	132.00
HL-K272-4872	1-6076, MRK-CYL 50009-53-189		I,P-UB-12	3,4,5	STAGES	1073.32
HL-K272-4884	1-6224, 1-6225, 1-6226		I-U-12	3,4,5,6	STAGES	1041.23
HL-K272-4885			I-U-12	3,4,5	STAGES	684.42
HL-K272-4893	1-6191		I-U-4	3-1/4, 4	STAGES	299.55
HL-K272-4932	A1E4159		I-U-1	3-1/8,4,5	STAGES	291.61
HL-K272-4933	1-4140, 1-4137, 1-4138, 1-4139, A1D-4437		I-V-1	3-1/8,4,5	STAGES	235.99
HL-K272-4933-B	1-4140, 1-4137, 1-4138, 1-4139, A1D-4437	Incl top bearings	I-V-1	3-1/8,4,5	STAGES	333.92
HL-K272-4938			I-U-1	4,5,6	STAGES	348.77
HL-K272-4939		Wipers, U-seals, Gland, & Piston Bearings		4,5,6	STAGES	388.80
HL-K272-6627	1-6330		I-UB-4	1-1/8	2-1/2	110.13
HL-K272-8491	001-6445		I-U-4	3-1/4	4	308.48

HERCULES REPLACEMENT CYLINDERS FOR HEIL HPT SERIES DUMP BODIES

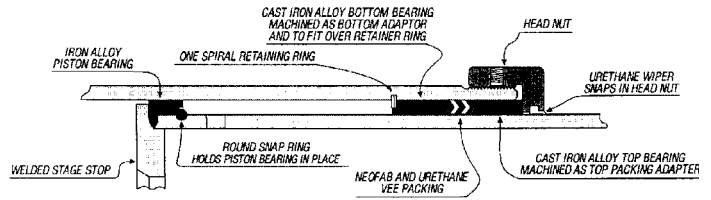
Hercules Part Number	Original Part Number	Changed To	Changed To	Changed To	Current Part Number
HPT53100	A1D1972	A1D3140	A1D3887	A1E3983	A1-4137
HPT53110	A1D1766	A1D3141	A1D3888	A1E3984	A1-4138
HPT53120	A1D1973	A1D3058	A1D3889	A1E3985	A1-4139
HPT53130	A1D1974	A1D3139	A1D3890	A1E3986	A1-4140
HPT63120	A1D2043	A1D3177	A1D3891	A1E3998	A1-4141
HPT63130	A1D2044	A1D3178	A1D3892	A1E3999	A1-4142
HPT63140	A1D2298	A1D3179	A1D3893	A1E4000	A1-4143
HPT63160	A1D2624	A1D3180	A1D3180	A1E3180	A1-4144

REPLACEMENT PARTS FOR DOUBLE ACTING AND SINGLE ACTING TELESCOPIC CYLINDERS

NOTE: The following parts and kits are for the old style Heil telescopic cylinders with vee packing and spiral retainer rings.

- PACKING:** Vee packing with no adaptors.
WIPERS: Some cylinders used bronze wipers trapped between the gland collar and the top bearing. Some cylinders used "AN" wipers which snap into a groove in the gland collar.
BEARINGS: Cast iron that serve as top and bottom adaptors for vee packing.
STAGE O.D.'s: 3-1/8 (3/16" C.S.), 4, 5, 6, (1/4" C.S.)
SPECIAL INFO.: Uses one spiral type retainer ring per stage as internal stop. Gland collars have 2 "ears" cast 180° apart.
IDENTIFICATION: Metal tag attached to cylinder body with model/part number. Example: AID3140

HEIL "OLD STYLE" HPT SERIES



Part Number	Description	List Price
HL26B2090-2A	2" VEE SET & WIPER	\$22.25
HL26B2090-3A	3" VEE SET & WIPER	31.19
HL26B2266-1A	3-1/8" VEE SET & WIPER	41.04
HL26B2260-1A	4" VEE SET & WIPER	44.61
HL26B2260-2A	5" VEE SET & WIPER	79.95
HL26B2260-3A	6" VEE SET & WIPER	85.63
HL26A2083-1	2" SPIRAL RETAINER	7.05
HL26A2083-2	3" SPIRAL RETAINER	13.04
HL26A2240-1	3-1/8" SPIRAL RETAINER	24.21
HL26A2083-3	4" SPIRAL RETAINER	14.53
HL26A2083-4	5" SPIRAL RETAINER	13.20
HL26A2406-1	6" SPIRAL RETAINER	35.19
HL26A2080	2" PISTON RING	14.75
HL26A2081	3" PISTON RING	15.52
HL-1-4881-012	3-1/2" PISTON RING	65.39
HL26A2082	4" PISTON RING	17.61
HL-1-4881-013	4-1/2" PISTON RING	35.79
HL26B2221	5" PISTON RING	24.27
HL-26A4142	4" PISTON SEAL	42.36
HL-26-4149	4-1/2" PISTON SEAL	39.63
HL-26A4149	4-1/2" PISTON SEAL	39.63
HL-26A4151	5" PISTON SEAL	60.09
HL-26-4141	5-1/2" PISTON SEAL	62.58

Part Number	Description	List Price
HL-24	2" - 4" VEE SETS W/ WIPERS	\$90.11
HL-25	2" - 5" VEE SETS W/ WIPERS	151.12
HL-35	3-1/8" - 5" VEE SETS W/ WIPERS	145.48
HL-46	4" - 6" VEE SETS W/ WIPERS	189.56

The following kits contain packing, wiper, top & bottom bearings & spiral snap ring.

Kit Number	Stage O.D.	List Price
HL-2PBTK	2"	\$97.74
HL-3PBTK	3"	105.72
HL-3.12PBTK	3-1/8"	104.73
HL-4PBTK	4"	125.57
HL-5PBTK	5"	168.18
HL-6PBTK	6"	198.49
HL-24PBTK	2" - 4"	344.07
HL-35PBTK	3-1/8" - 5"	373.75
HL-46PBTK	4" - 6"	469.87

HEIL REPLACEMENT PARTS

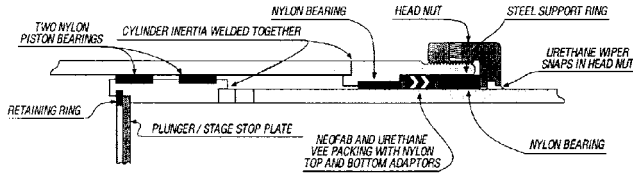
Part Number	Description	List Price
HL-26-4200-43	BACK-UP RINGS - MIN. QTY 3	\$4.60
HL-26-2608-43	O-RINGS - MIN. QTY 3	3.81
HL-26-2083-003	RETAINER RING	14.53

Part Number	Description	List Price
HL-26-3980-12	4" U-SEAL	\$24.95
HL-26-3979-08	Wiper - ODxW - 5-1/2 X 1/2	6.85
HL-26-3977-13	4" Wiper	11.12

HEIL REPLACEMENT PARTS FOR SINGLE ACTING DUMP TRUCK CYLINDERS

NOTE: The following parts and kits are for the new style Heil telescopic dump cylinders with welded stop rings and the base held in with snap rings.

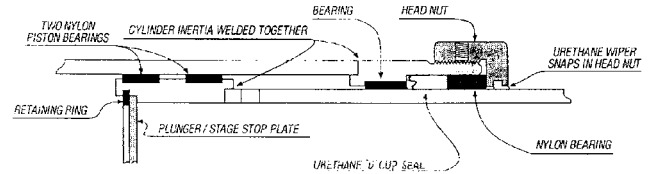
HEIL "NEW STYLE" HPT SERIES



PACKING: Vee packing with nylon top and bottom adaptors.
WIPERS: AN Style
BEARINGS: Split 1/8" thick nylon wear rings.
STAGE O.D.'s: 3-1/8, 4, 5, 6
SPECIAL INFO.: Has welded stop in gland. Cylinder disassembles by removing large Tru-Arc type snap ring which retains the cylinder base and bottom of each stage.
IDENTIFICATION: Metal tag attached to cylinder body with model/part number.
 Example: AIE3938

Part Number	Description	List Price
HL26-4157-3	5" ID UPPER WEAR RING	\$9.74
HL26-4157-4	6" ID UPPER WEAR RING	8.38
HL26-4176-4	6-1/2" OD LOWER WEAR RING	9.91
HL26-4394-1	3-1/8" ID UPPER WEAR RING	9.10
HL26-4394-2	4" ID UPPER WEAR RING	7.62
HL26-4395-1	3-1/2" OD LOWER WEAR RING	10.05
HL26-4395-2	4-1/2" OD LOWER WEAR RING	7.46
HL26-4395-3	5-1/2" OD LOWER WEAR RING	7.78
HL-26-4395-4	6-1/2" OD LOWER WEAR RING	9.91
HL-K272-1024	3-1/8" - 5" PACKING, WIPERS, O-RING	132.67
HL-K272-1026	4" - 6" PACKING, WIPERS, O-RING	167.85
HL-K272-1027	4" - 6" PACKING, WIPERS, WEAR RINGS	237.71

HEIL "NEW STYLE" HPT SERIES



PACKING: Urethane U-Seals
WIPERS: AN Style
BEARINGS: Nylon bearings above and below U-Seal
STAGE O.D.'s: 3-1/8, 4, 5, 6
SPECIAL INFO.: Welded stop in gland. Tru-Arc type snap ring which retains the cylinder base and bottom of each stage.
IDENTIFICATION: Metal tag attached to cylinder body with model/part number.
 Example: AIE4159

Part Number	Description	List Price
HL-K272-3588	3, 4, 5" stages - vee-set, wipers, gland bearing, quattro rings, nylon slug, set screw	\$830.79
HL-K272-4932	3-1/8, 4, 5" stages - U-seals, wipers, gland bearing, quattro rings, nylon slug, set screw	291.61
HL-K272-4938	4, 5, 6" stages - U-seals, wipers, gland bearings, quattro ring, nylon slug, set screw	348.77
HL-K272-4939	4, 5, 6" stages - U-seals, wipers, bearings, quattro ring, nylon slug, set screw	388.80

HEIL SPECIAL HEIL TELESCOPIC VEE SETS

Part Number	Size	List Price
HL26A2038	2-1/2 X 2-7/8	\$18.61
HL26A2039	3-1/4 X 3-5/8	15.83
HL26A2215	1-3/4 X 2-1/8	18.05
HL26B2191-2	6-1/4 X 6-3/4	135.53
HL26B2202-1H	2 X 3 W/WIPER	59.00

Part Number	Size	List Price
HL26B2203-1H	3-1/2 X 5 W/WIPER	\$102.57
HL26B2484-1	6-1/4 X 7-5/16	218.92
HL40004X184	4 X 4-1/2 X 1.845	131.71

Replacement Kits For

HIAB

Cranes								
APPLICATION	CYL #	SERIAL #	CODE	ROD	BORE	Miscellaneous	KIT #	List \$
MODEL 045								
1ST EXTENSION			P-U-15	40 mm	55 mm		HIAB-542121	95.20
2ND & 3RD EXT.			P-U-15	30 mm	50 mm		HIAB-542130	83.86
INNER BOOM			P-U-15	50 mm	90 mm		HIAB-542105	103.25
LONG OUTRIGGER			P-U-15	50 mm	70 mm		HIAB-542156	121.76
OUTER BOOM			P-U-15	50 mm	90 mm		HIAB-542113	104.05
SWING			N-N-5	N/A	100 mm		HIAB-542148	168.83
MODEL 070								
BOOM EXT			P-U-13	33 mm	60 mm		HIAB-330-0897	57.47
	AW		P-U-15	35, 80 mm	60, 70, 92 mm		HIAB-330-0731	276.81
INNER BOOM			P-U-13	90 mm	125 mm		HIAB-330-0871	270.21
OUTER BOOM			P-U-13	70 mm	100 mm		HIAB-330-0889	163.12
MODEL 071								
BOOM EXT	3400441		P-U-15	35, 80 mm	60, 70, 92 mm		HIAB-330-0731	276.81
	3478378		I-U-15	50 mm	80 mm		HIAB-330-1044	83.18
	3501515		I-U-15	50 mm	80 mm		HIAB-330-1044	83.18
	3509052		P-U-15	35, 80 mm	60, 70, 92 mm		HIAB-330-0731	276.81
INNER BOOM	3554589		P-U-13	90 mm	125 mm		HIAB-330-0871	270.21
OUTER BOOM	3300889		P-U-13	70 mm	100 mm		HIAB-330-0889	163.12
OUTRIGGER	3502414		P-U-15	70 mm	90 mm		HIAB-330-1028	90.40
MODEL 100								
BOOM EXT	A		P-SP-15	45 mm	70 mm		HIAB-330-0714	87.02
INNER BOOM			I-SP-15	80 mm	125 mm		HIAB-330-0692	147.50
MODEL 120								
BOOM EXT			P-U-15	40 mm	63 mm	Updated Version	HIAB-330-1320	79.82
			P-U-15	45 mm	63 mm		HIAB-330-1311	71.24
OUTER BOOM			P-U-15	90 mm	125 mm		HIAB-330-1303	194.18
MODEL 140								
BOOM EXT			I-U-15	50 mm	80 mm		HIAB-330-1044	83.18
	AW		P-U-13,15	40, 90 mm	70, 105 mm		HIAB-330-0668	280.32
	AWV		I-U-15	33 mm	60 mm		HIAB-330-1001	52.75
INNER BOOM			I-U-13	80 mm	140 mm		HIAB-330-1036	223.21
OUTER BOOM			I-U-13	80 mm	140 mm		HIAB-330-1036	223.21
MODEL 175								
BOOM EXT	3608603		P-U-15	40 mm	63 mm		HIAB-330-1613	90.80
	3616819		P-U-15	45 mm	70 mm		HIAB-330-1583	104.17
	3622100		P-U-15	45 mm	70 mm		HIAB-330-1583	104.17
	3625681		P-U-15	40 mm	63 mm		HIAB-330-1613	90.80
EXTENSION	3583872		P-U-15	25 mm	40 mm		HIAB-330-1052	132.78
INNER BOOM	3625745		P-U-15	100 mm	160 mm		HIAB-330-1443	256.51
OUTER BOOM	3561330		P-U-15	100 mm	140 mm		HIAB-330-1290	159.50
OUTRIGGER	3531031		P-U-15	70 mm	90 mm		HIAB-330-1028	90.40
	3592774		P-U-15	70 mm	90 mm		HIAB-330-1028	90.40
	3594769		P-U-15	70 mm	90 mm		HIAB-330-1028	90.40
MODEL 650								
BOOM EXT	3088031		I-U-15	33 mm	60 mm		HIAB-330-1001	52.75
	AW		P-U-15	35, 80 mm	60, 70, 92 mm	Model 650/1	HIAB-330-0731	276.81
	AW		P-U-15	32, 85 mm	65, 100 mm		HIAB-330-0633	205.77
D. BOOM EXT	3080005		P-U-15	35, 80 mm	60, 70, 92 mm		HIAB-330-0731	276.81
	3199622		P-U-15	32, 85 mm	65, 100 mm		HIAB-330-0633	205.77
	3402746		P-U-15	32, 85 mm	65, 100 mm		HIAB-330-0633	205.77
	3411176		P-U-15	32, 85 mm	65, 100 mm		HIAB-330-0633	205.77
	3419258		P-U-15	35, 80 mm	60, 70, 92 mm		HIAB-330-0731	276.81
	6216765		P-U-15	32, 85 mm	65, 100 mm		HIAB-330-0633	205.77
D.A. INNER BOOM	3051919		I-U-15	100 mm	140 mm		HIAB-330-0501	167.70
	3091919		I-U-15	100 mm	140 mm		HIAB-330-0501	167.70
	3099199	90001-->	I-U-13	100 mm	140 mm		HIAB-330-0749	163.95

HIAB

Replacement Kits For

HIAB

Cranes								
APPLICATION	CYL #	SERIAL #	CODE	ROD	BORE	Miscellaneous	KIT #	List \$
MODEL 650								
INNER BOOM		90001-->	I-U-13	100 mm	140 mm		HIAB-330-0749	163.95
	3155528	-->65450	I-U-1	140 mm	160 mm		HIAB-330-0218	140.48
MODEL 985								
1ST EXTENSION			P-SP-15	45 mm	70 mm		HIAB-330-0714	87.02
2ND EXTENSION			P-U-15	35, 80 mm	60, 70, 92 mm		HIAB-330-0731	276.81
3RD EXTENSION			I-U-15	33 mm	60 mm		HIAB-330-0595	72.56
AH EXTENSION			P-SP-15	45 mm	70 mm		HIAB-330-0714	87.02
INNER BOOM			I-SP-15	80 mm	125 mm		HIAB-330-0692	147.50
OUTER BOOM			I-SP-15	80 mm	125 mm		HIAB-330-0692	147.50
MODEL 1165								
INNER BOOM			I-SP-15	80 mm	140 mm		HIAB-622-1688	169.62
OUTER BOOM			I-SP-15	80 mm	140 mm		HIAB-622-1688	169.62
MODEL 1165/1								
BOOM EXT	A		I-U-15	50 mm	80 mm		HIAB-330-1044	83.18
	AW	TO 1977	P-U-13,15	40, 90 mm	70, 105 mm		HIAB-330-0668	280.32
INNER BOOM			I-U-13	80 mm	140 mm		HIAB-330-1036	223.21
OUTER BOOM			I-U-13	80 mm	140 mm		HIAB-330-1036	223.21
MODEL 1165/2								
BOOM EXT	3407110		P-U-13,15	40, 90 mm	70, 105 mm		HIAB-330-0668	280.32
	3430405		I-U-15	33 mm	60 mm		HIAB-330-1001	52.75
	6215645		I-U-15	50 mm	80 mm		HIAB-330-1044	83.18
INNER BOOM	3445038		I-SP-15	80 mm	140 mm		HIAB-622-1688	169.62
OUTER BOOM	3445852		I-SP-15	80 mm	140 mm		HIAB-622-1688	169.62
MODEL 1770								
BOOM EXT	A		I-U-15	50 mm	80 mm		HIAB-330-1044	83.18
	AW		P-U-13,15	40, 90 mm	70, 105 mm		HIAB-330-0668	280.32
INNER BOOM			P-U-13	80 mm	125 mm		HIAB-872-8330	140.09
OUTER BOOM			P-U-13	100 mm	180 mm		HIAB-872-8348	232.76
OUTRIGGER			P-U-15	90 mm	110 mm	13 Ton Leg	HIAB-330-0773	145.79
MODEL 2640								
INNER BOOM			P-U-13	100 mm	140 mm		HIAB-872-8038	156.87
OUTER BOOM			P-U-13	100 mm	140 mm		HIAB-872-8038	156.87

HIAB

REPLACEMENT KITS FOR HIAB

HIAB

Kit Number	Code (Pg. 14)	Rod X Bore Size	List Price
HIAB-121039	P-U-15	63 x 110 mm	\$121.97
HIAB-330-0218	I-U-1	140 X 160 mm	140.48
HIAB-330-0315	N-N-5	100 mm Piston Kit	162.47
HIAB-330-0498	N-N-5	105 mm Piston Kit	179.76
HIAB-330-0501	I-U-15	100 X 140 mm	167.70
HIAB-330-0528	N-N-5	105 mm Piston Kit	183.76
HIAB-330-0595	I-U-15	33 X 60 mm	72.56
HIAB-330-0625	P-O-1	78 mm Rod Kit	61.80
HIAB-330-0633	P-U-15	32, 85 X 65, 100 mm	205.77
HIAB-330-0668	P-U-13, 15	40 , 90 mm Stages	280.32
HIAB-330-0692	I-U-15	80 X 125 mm	147.50
HIAB-330-0714	P-SP-15	45 X 70 mm	87.02
HIAB-330-0731	P-U-15	35, 80 mm Stages	276.81
HIAB-330-0749	I-U-15	100 X 140 mm	163.95
HIAB-330-0773	P-U-15	90 X 110 mm	145.79
HIAB-330-0871	P-U-15	90 X 125 mm	270.21
HIAB-330-0889	P-U-15	70 X 100 mm	163.12
HIAB-330-0897	P-U-15	33 X 60 mm	57.47
HIAB-330-0951	P-U-15	100 X 180 mm	200.25
HIAB-330-1001	I-U-15	33 X 60 mm	52.75
HIAB-330-1028	P-U-15	70 X 90 mm	90.40
HIAB-330-1036	I-U-15	80 X 140 mm	223.21
HIAB-330-1044	I-U-15	50 X 80 mm	83.18
HIAB-330-1052	P-U-15	25 X 40 mm	132.78
HIAB-330-1061	P-U-15	70 X 125 mm	131.94
HIAB-330-1231	P-U-15	90 X 160 mm	183.79
HIAB-330-1249	P-U-15	40 x 70 mm	89.39
HIAB-330-1290	P-U-15	100 X 140 mm	159.50
HIAB-330-1303	P-U-15	90 X 125 mm	194.18
HIAB-330-1311	P-U-15	45 X 63 mm	71.24

Kit Number	Code (Pg. 14)	Rod X Bore Size	List Price
HIAB-330-1320	P-U-15	40 X 63 mm	\$79.82
HIAB-330-1443	P-U-15	100 X 160 mm	256.51
HIAB-330-1583	P-U-15	45 X 70 mm	104.17
HIAB-330-1613	P-U-15	40 X 63 mm	90.80
HIAB-542105	P-U-15	50 X 90 mm	103.25
HIAB-542113	P-U-15	50 X 90 mm	104.05
HIAB-542121	P-U-15	40 X 55 mm	95.20
HIAB-542130	P-U-15	30 X 50 mm	83.86
HIAB-542148	N-N-5	100 mm Piston Kit	168.83
HIAB-542156	P-U-15	50 X 70 mm	121.76
HIAB-607-2267	I-O-15	74 X 85 mm	74.26
HIAB-622-1599	I-U-15	63 X 125 mm	116.66
HIAB-622-1661	I-SP-15	63 X 140 mm	154.91
HIAB-622-1670	I-SP-15	70 X 140 mm	175.10
HIAB-622-1688	I-SP-15	80 X 140 mm	169.62
HIAB-622-2170	I-U-15	32, 90 mm Stages	320.04
HIAB-711-4659	P-U-15	50 x 110 mm	163.95
HIAB-711-4660	I-U-15	30 x 50 mm	59.44
HIAB-711-5366	I,P-U-15	80 X 140 mm	183.51
HIAB-711-5834	I-U-15	30 X 70 mm	79.84
HIAB-712-4173	I,P-U-15	100 x 180 mm	476.91
HIAB-712-4174	I-U-15	50 x 90 mm	186.75
HIAB-825-2050	P-U-15	45 X 80 mm	92.63
HIAB-872-8038	P-U-15	100 X 140 mm	156.87
HIAB-872-8046	P-U-15	100 X 140 mm	203.99
HIAB-872-8330	P-U-15	80 X 125 mm	140.09
HIAB-872-8348	P-U-15	100 X 180 mm	232.76
HIAB-872-8356	I-SP-15	50 X 80 mm	88.15
HIAB-995-0621	N-N-4	100 mm Piston Kit	80.86
HIAB-995-9122	N-N-5	105 mm Piston Kit	87.95

HIDROMEK

Kit Number	Code (Pg. 14)	Rod X Bore Size	List Price
HIDMK-S4880955	N-N-15	90 mm	\$320.06
HIDMK-S4881040	N-N-10	105 mm	31.30

Kit Number	Code (Pg. 14)	Rod X Bore Size	List Price
HIDMK-S4891231	I-UB-1	60 mm	\$46.71
HIDMK-S4891240	I-UB-1	60 mm	46.98

REPLACEMENT SEAL KITS FOR HITACHI EQUIPMENT*

Replacement Seal Kits By Machine Type

Table of Contents

Machine Type		Page
Excavators	EX100, EX100-5, EX100-5LC, EX120, EX120-2, EX120-5, EX120K-3, EX130H-5, EX150, EX150LC-5, EX160LC-5, EX200, EX200LC, EX200-2, EX200LC-2, EX200-3, EX200LC-3, EX200H-3, EX200LCH-3, EX200-5, EX200LC-5, EX210H-5, EX210LCH-5, EX220, EX220-2, EX220-3, EX220LC-3, EX220-5, EX220LC-5, EX230-5, EX230LC-5, EX230H-5, EX230LCH-5, EX270, EX270LC, EX270-5, EX270LC-5, EX280H-5, EX280LCH-5, EX300, EX300LC, EX300-3, EX300LC-3, EX300H-3, EX300LCH-3, EX300-5, EX330-5, EX350-5, EX370-5 (H,HD,K,&LC), EX400, EX400LC, EX400H, EX400LCH, EX400-3, EX400LC-3, EX400H-3, EX400LCH-3, EX400-3C, EX400LC-3C, EX450H-3C, EX450LCH-3C, EX400-5, EX400LC-5, EX450LC-5, EX450LCH-5, EX700, EX700H, EX1000, EX1200-5, EX1200-6, EX1800, EX3500, UH083, UH083LC, UH107, UH122, UH122LC, UH123, UH172, UH181, UH501, ZX35U-3, ZX35U-3F, ZX38U-3, ZX38U-3F, ZX120, ZX120E, ZX130H, ZX130K, ZX130LCN, ZX120-3, ZX130-3, ZX130K-3, ZX130LCN-3, ZX135US-3, ZX135US-5, ZX135USK-3, ZX160LC, ZX160LC-3, ZX160LC-5, ZX160LC-6, ZX200, ZX200LC, ZX210, ZX210LC, ZX210LCH, ZX210K, ZX210LCK, ZX210N, ZX240, ZX200-3, ZX210LC-3, ZX210LC-5, ZX210LC-6, ZX225US-3, ZX225USLC-3, ZX225USLC-5, ZX230, ZX230LC, ZX240-3, ZX240LC-3, ZX240H, ZX240LCH, ZX240K, ZX-240LCK, ZX250, ZX250LC, ZX250LCN, ZX250LC-3, ZX250LCN-3, ZX250H-3, ZX250LCH-3, ZX250K-3, ZX250LCK, ZX250LC-3, ZX250LCN-3, ZX250H-3, ZX250LCH-3, ZX250K-3, ZX-250LCK-3, ZX270, ZX270LC, ZX280LC, ZX280LCN, ZX270-3, ZX330, ZX330LC, ZX350LC, ZX-350LCH, ZX350H, ZX350K, ZX350LCK, ZX370, ZX370MTH, ZX330-3, ZX330LC-3, ZX330LC-5, ZX350LC-3, ZX350LCN-3, ZX350H-3, ZX350LCH-3, ZX350K-3, ZX350LCK-3, ZX350LC-5N, ZX350LC-6, ZX360LC-3, ZX450, ZX450LC, ZX450H, ZX450LCH, ZX460LCH, ZX480MT, ZX480MTH, ZX450-3, ZX450LC-3, ZX470H-3, ZX470LCH-3, ZX470LC-5B, ZX500LC-3, ZX-520LCH-3, ZX800, ZX850H, ZX870H-3	565 - 605
Excavators - Compact	EX50U, EX50UNA, EX50UR, EX55UR, EX55UR-3, UH07-3, UH07-5, UH07-7, UH009, UH010, UH012, UH016, UH035, UH045, UH061, ZX35U-2, ZX50U, ZX50U-2, ZX50U-3, ZX50U-3F, ZX50U-3U, ZX60, ZX70, ZX70LC, ZX80, ZX80LCK, ZX80SB, ZX80SBLC	605 - 609
Loaders - Wheel	LX100	609
Off-Highway Trucks	EH1600	609
Alpha-Numeric Kit Listing		610 - 615
Hitachi Individual Parts		Found Online

*All manufacturer's names, part numbers and descriptions are used for reference purposes only. We do not imply that any part shown is the product of these manufacturers. We also do not imply that the list price shown is exactly that of the manufacturer.

Replacement Kits For

HITACHI

Excavators								
APPLICATION	CYL #	SERIAL #	CODE	ROD	BORE	Misc	KIT #	List \$
MODEL EX100								
ARM			P-UB-10	75 mm	105 mm		HIT-4206343	231.64
BOOM			P-UB-10	70 mm	95 mm		HIT-4206340	236.01
BUCKET			P-UB-10	65 mm	95 mm		HIT-4206345	204.53
MODEL EX100-5								
ARM	4187908	02001-	P-UB-10	75 mm	105 mm		HIT-4206343	231.64
	4187908	02001-	P-UB-10	75 mm	105 mm		HIT-4206343-EX	701.28
	4187908	02001-	Bushing	75 mm			HIT-0310504	38.12
	4187908	02001-	Wear Ring		105 mm		HIT-0310510	130.12
	4187908	02001-	Wear Ring		105 mm		HIT-0310509	47.99
BOOM LH	4187907	02001-	P-UB-10	70 mm	95 mm		HIT-4206340	236.01
	4187907	02001-	P-UB-10	70 mm	95 mm		HIT-4206340-EX	315.62
	4187907	02001-	Bushing	70 mm			HIT-0310304	34.45
	4187907	02001-	Wear Ring		95 mm		HIT-0310610	51.37
	4187907	02001-	Wear Ring		95 mm		HIT-0310609	17.20
BOOM RH	4187906	02001-	P-UB-10	70 mm	95 mm		HIT-4206340	236.01
	4187906	02001-	P-UB-10	70 mm	95 mm		HIT-4206340-EX	315.62
	4187906	02001-	Bushing	70 mm			HIT-0310304	34.45
	4187906	02001-	Wear Ring		95 mm		HIT-0310610	51.37
	4187906	02001-	Wear Ring		95 mm		HIT-0310609	17.20
BUCKET	4187909	02001-	P-UB-10	65 mm	95 mm		HIT-4206345	204.53
	4187909	02001-	P-UB-10	65 mm	95 mm		HIT-4206345-EX	287.85
	4187909	02001-	Bushing	65 mm			HIT-0310604	30.52
	4187909	02001-	Wear Ring		95 mm		HIT-0310610	51.37
	4187909	02001-	Wear Ring		95 mm		HIT-0310609	17.20
MODEL EX100-5LC								
ARM	4187908	02001-	P-UB-10	75 mm	105 mm		HIT-4206343	231.64
	4187908	02001-	P-UB-10	75 mm	105 mm		HIT-4206343-EX	701.28
	4187908	02001-	Bushing	75 mm			HIT-0310504	38.12
	4187908	02001-	Wear Ring		105 mm		HIT-0310510	130.12
	4187908	02001-	Wear Ring		105 mm		HIT-0310509	47.99
BOOM LH	4187907	02001-	P-UB-10	70 mm	95 mm		HIT-4206340	236.01
	4187907	02001-	P-UB-10	70 mm	95 mm		HIT-4206340-EX	315.62
	4187907	02001-	Bushing	70 mm			HIT-0310304	34.45
	4187907	02001-	Wear Ring		95 mm		HIT-0310609	17.20
	4187907	02001-	Wear Ring		95 mm		HIT-0310610	51.37
BOOM RH	4187906	02001-	P-UB-10	70 mm	95 mm		HIT-4206340	236.01
	4187906	02001-	P-UB-10	70 mm	95 mm		HIT-4206340-EX	315.62
	4187906	02001-	Bushing	70 mm			HIT-0310304	34.45
	4187906	02001-	Wear Ring		95 mm		HIT-0310610	51.37
	4187906	02001-	Wear Ring		95 mm		HIT-0310609	17.20
BUCKET	4187909	02001-	P-UB-10	65 mm	95 mm		HIT-4206345	204.53
	4187909	02001-	P-UB-10	65 mm	95 mm		HIT-4206345-EX	287.85
	4187909	02001-	Bushing	65 mm			HIT-0310604	30.52
	4187909	02001-	Wear Ring		95 mm		HIT-0310610	51.37
	4187909	02001-	Wear Ring		95 mm		HIT-0310609	17.20
MODEL EX120								
ARM			P-UB-10	80 mm	115 mm		HIT-4206344	247.70
BOOM			P-UB-10	75 mm	105 mm		HIT-4206343	231.64
BUCKET			P-UB-10	65 mm	95 mm		HIT-4206345	204.53
MODEL EX120-2								
ARM			P-UB-10	80 mm	110 mm		HIT-4286463	278.57
BOOM			P-UB-10	70 mm	105 mm		HIT-4286459	207.90
BUCKET			P-UB-10	65 mm	95 mm		HIT-4286739	229.82
MODEL EX120-5								
ARM	4317313	030001-	P-UB-10	80 mm	110 mm		HIT-4364913	199.30

Hercules Sealing Products and original equipment Hitachi kits may not include the necessary wear rings for your cylinder rebuild. Kits with an -EX suffix will include these wear rings.

Please ask your sales representative for a cross-reference if no -EX kit or complementary parts are listed.

Replacement Kits For

HITACHI

Excavators								
APPLICATION	CYL #	SERIAL #	CODE	ROD	BORE	Misc	KIT #	List \$
MODEL EX120-5								
ARM	4317313	030001-	P-UB-10	80 mm	110 mm		HIT-4364913-EX	318.68
	4317313	030001-	Wear Ring		110 mm		HIT-0298907	107.68
	4317313	030001-	Wear Ring		110 mm		HIT-0667008	10.57
	4371393	030001-	P-UB-10	75 mm	105 mm	Offset Boom	HIT-4379261	173.89
	4371393	030001-	P-UB-10	75 mm	105 mm		HIT-4379261-EX	294.46
	4371393	030001-	Wear Ring		105 mm	Offset Boom	HIT-0666808	10.35
	4371393	030001-	Wear Ring		120 mm	Offset Boom	HIT-H227906	10.79
BLADE LH	4361273	030001-	P-UB-10	70 mm	100 mm		HIT-4388027	547.01
	4397513	030001-	P-UB-10	70 mm	100 mm		HIT-4388027	547.01
BLADE RH	4359928	030001-	P-UB-10	70 mm	100 mm		HIT-4388027	547.01
BOOM LH	4317312	030001-	P-UB-10	70 mm	105 mm		HIT-4364912	166.35
	4317312	030001-	P-UB-10	70 mm	105 mm		HIT-4364912-EX	286.94
	4317312	030001-	Wear Ring		105 mm		HIT-0666808	10.35
	4317312	030001-	Wear Ring		105 mm		HIT-0310510	130.12
	4372542	030001-	P-UB-10	70 mm	95 mm	Offset Boom	HIT-4379260	158.23
	4372542	030001-	P-UB-10	70 mm	95 mm		HIT-4379260-EX	274.08
	4372542	030001-	Wear Ring		95 mm	Offset Boom	HIT-0667108	9.71
	4372542	030001-	Wear Ring		95 mm	Offset Boom	HIT-0310610	51.37
BOOM RH	4317311	030001-	P-UB-10	70 mm	105 mm		HIT-4364912	166.35
	4317311	030001-	P-UB-10	70 mm	105 mm		HIT-4364912-EX	286.94
	4317311	030001-	Wear Ring		105 mm		HIT-0310510	130.12
	4317311	030001-	Wear Ring		105 mm		HIT-0666808	10.35
	4372544	030001-	P-UB-10	70 mm	95 mm	Offset Boom	HIT-4379260	158.23
	4372544	030001-	P-UB-10	70 mm	95 mm		HIT-4379260-EX	274.08
	4372544	030001-	Wear Ring		95 mm	Offset Boom	HIT-0310610	51.37
	4372544	030001-	Wear Ring		95 mm	Offset Boom	HIT-0667108	9.71
BUCKET	4316457	030001-	P-UB-10	65 mm	95 mm		HIT-4364914	502.03
MODEL EX120K-3								
ARM	4257644	28201-	P-UB-10	80 mm	110 mm		HIT-4320993	189.20
	4257644	28201-	P-UB-10	80 mm	110 mm		HIT-4320993-EX	501.10
	4257644	28201-	Wear Ring		110 mm		HIT-0298907	107.68
	4257644	28201-	Wear Ring		110 mm		HIT-0409009	59.49
BOOM LH	4257643	28201-	P-UB-10	70 mm	105 mm		HIT-4320990	256.03
BOOM RH	4257642	28201-	P-UB-10	70 mm	105 mm		HIT-4320990	256.03
BUCKET	4269538	28201-	P-UB-10	65 mm	95 mm		HIT-4320994	502.03
MODEL EX130H-5								
ARM	4317313	030001-	P-UB-10	80 mm	110 mm		HIT-4364913	199.30
	4317313	030001-	P-UB-10	80 mm	110 mm		HIT-4364913-EX	318.68
	4317313	030001-	Wear Ring		110 mm		HIT-0667008	10.57
	4317313	030001-	Wear Ring		110 mm		HIT-0298907	107.68
	4371393	030001-	P-UB-10	75 mm	105 mm	Offset Boom	HIT-4379261	173.89
	4371393	030001-	P-UB-10	75 mm	105 mm		HIT-4379261-EX	294.46
	4371393	030001-	Wear Ring		105 mm	Offset Boom	HIT-0666808	10.35
	4371393	030001-	Wear Ring		120 mm	Offset Boom	HIT-H227906	10.79
BLADE LH	4361273	030001-	P-UB-10	70 mm	100 mm		HIT-4388027	547.01
	4397513	030001-	P-UB-10	70 mm	100 mm		HIT-4388027	547.01
BLADE RH	4359928	030001-	P-UB-10	70 mm	100 mm		HIT-4388027	547.01
BOOM LH	4317312	030001-	P-UB-10	70 mm	105 mm		HIT-4364912	166.35
	4317312	030001-	P-UB-10	70 mm	105 mm		HIT-4364912-EX	286.94
	4317312	030001-	Wear Ring		105 mm		HIT-0666808	10.35
	4317312	030001-	Wear Ring		105 mm		HIT-0310510	130.12
	4372542	030001-	P-UB-10	70 mm	95 mm	Offset Boom	HIT-4379260	158.23
	4372542	030001-	P-UB-10	70 mm	95 mm		HIT-4379260-EX	274.08
	4372542	030001-	Wear Ring		95 mm	Offset Boom	HIT-0667108	9.71
	4372542	030001-	Wear Ring		95 mm	Offset Boom	HIT-0310610	51.37

Hercules Sealing Products and original equipment Hitachi kits may not include the necessary wear rings for your cylinder rebuild.
Kits with an -EX suffix will include these wear rings.

Please ask your sales representative for a cross-reference if no -EX kit or complementary parts are listed.

Replacement Kits For

HITACHI

HITACHI

Excavators								
APPLICATION	CYL #	SERIAL #	CODE	ROD	BORE	Misc	KIT #	List \$
MODEL EX130H-5								
BOOM RH	4317311	030001-	P-UB-10	70 mm	105 mm		HIT-4364912	166.35
	4317311	030001-	P-UB-10	70 mm	105 mm		HIT-4364912-EX	286.94
	4317311	030001-	Wear Ring		105 mm		HIT-0310510	130.12
	4317311	030001-	Wear Ring		105 mm		HIT-0666808	10.35
	4372544	030001-	P-UB-10	70 mm	95 mm	Offset Boom	HIT-4379260	158.23
	4372544	030001-	P-UB-10	70 mm	95 mm		HIT-4379260-EX	274.08
	4372544	030001-	Wear Ring		95 mm	Offset Boom	HIT-0310610	51.37
	4372544	030001-	Wear Ring		95 mm	Offset Boom	HIT-0667108	9.71
BUCKET	4316457	030001-	P-UB-10	65 mm	95 mm		HIT-4364914	502.03
MODEL EX150								
ARM	4193532	01001-	P-UB-10	85 mm	120 mm		HIT-4216264P	384.39
BOOM LH	4193533	01001-	P-UB-10	80 mm	115 mm		HIT-4369893P	310.66
BOOM RH	4193531	01001-	P-UB-10	80 mm	115 mm		HIT-4369893P	310.66
BUCKET	4193534	01001-	P-UB-10	80 mm	115 mm		HIT-4369893P	310.66
MODEL EX150LC-5, EX160LC-5								
ARM	4370784	1002-	P-UB-10	85 mm	115 mm		HIT-4389720	394.17
	4370784	1002-	Bushing	85 mm			HIT-4272960	48.79
	4370784	1002-	Wear Ring		115 mm		HIT-0310908	55.09
	4370784	1002-	Wear Ring		115 mm		HIT-0686405	10.57
BOOM LH	4370783	1002-	P-UB-10	80 mm	110 mm		HIT-4389719	347.54
	4370783	1002-	Bushing	80 mm			HIT-0309304	43.95
	4370783	1002-	Wear Ring		110 mm		HIT-0667008	10.57
	4370783	1002-	Wear Ring		110 mm		HIT-0298907	107.68
BOOM RH	4370782	1002-	P-UB-10	80 mm	110 mm		HIT-4389719	347.54
	4370782	1002-	Bushing	80 mm			HIT-0309304	43.95
	4370782	1002-	Wear Ring		110 mm		HIT-0298907	107.68
	4370782	1002-	Wear Ring		110 mm		HIT-0667008	10.57
BUCKET	4370785	1002-	P-UB-10	75 mm	105 mm		HIT-4389721	256.16
	4370785	1002-	Bushing	75 mm			HIT-0310504	38.12
	4370785	1002-	Wear Ring		105 mm		HIT-0666808	10.35
	4370785	1002-	Wear Ring		105 mm		HIT-0310510	130.12
MODEL EX200, EX200LC								
ARM	4180278	30001-	P-UB-10	95 mm	135 mm		HIT-4206019	446.34
BOOM LH	4180277	30001-	P-UB-10	85 mm	125 mm		HIT-4206018	302.22
	4223826	30001-	P-UB-10	85 mm	125 mm		HIT-4206018	302.22
BOOM RH	4180276	30001-	P-UB-10	85 mm	125 mm		HIT-4206018	302.22
	4223825	30001-	P-UB-10	85 mm	125 mm		HIT-4206018	302.22
BUCKET	4180279	30001-	P-UB-10	80 mm	120 mm		HIT-4206020	336.12
CLAMSHELL	2024987	30001-	P-UB-10	85 mm	135 mm		HIT-4214722	313.83
MODEL EX200-2, EX200LC-2								
ARM	4250226	60001-	P-UB-10	95 mm	130 mm		HIT-4286780	343.47
	4250226	60001-	Bushing	95 mm			HIT-0309204	53.01
	4250226	60001-	Wear Ring		130 mm		HIT-0409912	26.36
	4250226	60001-	Wear Ring		130 mm		HIT-0254309	67.84
BOOM LH	4250224	60001-	P-UB-10	85 mm	120 mm		HIT-4286774	331.94
	4250224	60001-	Bushing	85 mm			HIT-4272960	48.79
	4250224	60001-	Wear Ring		120 mm		HIT-0261308	63.96
	4250224	60001-	Wear Ring		120 mm		HIT-0309309	21.41
BOOM RH	4250223	60001-	P-UB-10	85 mm	120 mm		HIT-4286774	331.94
	4250223	60001-	Bushing	85 mm			HIT-4272960	48.79
	4250223	60001-	Wear Ring		120 mm		HIT-0309309	21.41
	4250223	60001-	Wear Ring		120 mm		HIT-0261308	63.96
BUCKET	4250225	60001-	P-UB-10	75 mm	110 mm		HIT-4286784	250.76
	4250225	60001-	Bushing	75 mm			HIT-0310504	38.12
	4250225	60001-	Wear Ring		110 mm		HIT-0298907	107.68

Hercules Sealing Products and original equipment Hitachi kits may not include the necessary wear rings for your cylinder rebuild.
Kits with an -EX suffix will include these wear rings.

Please ask your sales representative for a cross-reference if no -EX kit or complementary parts are listed.

Replacement Kits For

HITACHI

Excavators								
APPLICATION	CYL #	SERIAL #	CODE	ROD	BORE	Misc	KIT #	List \$
MODEL EX200-2, EX200LC-2								
BUCKET	4250225	60001-	Wear Ring		110 mm		HIT-0410005	20.43
	4287889	60001-	Bushing	65 mm		River	HIT-0310604	30.52
	4287889	60001-	Wear Ring		95 mm	River	HIT-0310609	17.20
	4287889	60001-	Wear Ring		95 mm	River	HIT-0310610	51.37
	4287889	60001-D91/12	P-UB-10	65 mm	95 mm	River	HIT-4286739	229.82
CLAMSHELL	4288743	60001-	P-UB-10	85 mm	125 mm		HIT-4369902	514.54
	4288743	60001-	Bushing	85 mm			HIT-4272960	48.79
	4288743	60001-	Wear Ring		125 mm		HIT-0309009	22.43
	4288743	60001-	Wear Ring		125 mm		HIT-0223713	66.65
ROLLING	4305528	65612-	P-UB-10	95 mm	150 mm		HIT-4320954	325.15
	4305528	65612-	Bushing	95 mm			HIT-0309204	53.01
	4305528	65612-	Wear Ring		150 mm		HIT-0237220	77.28
	4305528	65612-	Wear Ring		150 mm		HIT-0387305	29.14
MODEL EX200-3, EX200LC-3, EX200H-3, EX200LCH-3								
ARM	4314778	78001-	Bushing	95 mm			HIT-0309204	53.01
	4314778	78001-	Wear Ring		130 mm		HIT-0409912	26.36
	4314778	78001-	Wear Ring		130 mm		HIT-0254309	67.84
	4314778	D95/06-	P-UB-10	95 mm	130 mm		HIT-4369914	412.00
BOOM LH	4250224	78001-	P-UB-10	85 mm	120 mm		HIT-4369901	322.03
	4250224	78001-	Bushing	85 mm			HIT-4272960	48.79
	4250224	78001-	Wear Ring		120 mm		HIT-0309309	21.41
	4250224	78001-	Wear Ring		120 mm		HIT-0261308	63.96
	4250224	D95/06-	P-UB-10	85 mm	120 mm		HIT-4369901	322.03
BOOM RH	4250223	78001-	Bushing	85 mm			HIT-4272960	48.79
	4250223	78001-	Wear Ring		120 mm		HIT-0309309	21.41
	4250223	78001-	Wear Ring		120 mm		HIT-0261308	63.96
	4250223	D95/06-	P-UB-10	85 mm	120 mm		HIT-4369901	322.03
BUCKET	4250225	78001-	Bushing	75 mm			HIT-0310504	38.12
	4250225	78001-	Wear Ring		110 mm		HIT-0298907	107.68
	4250225	78001-	Wear Ring		110 mm		HIT-0410005	20.43
	4250225	D95/06-	P-UB-10	75 mm	110 mm		HIT-4369890	289.71
	4287889	78001-	Bushing	65 mm		River	HIT-0310604	30.52
	4287889	78001-	Wear Ring		95 mm	River	HIT-0310610	51.37
	4287889	78001-	Wear Ring		95 mm	River	HIT-0310609	17.20
	4287889	D95/06-	P-UB-10	65 mm	95 mm	River	HIT-4369766	187.71
	4287889	D95/06-	P-UB-10	65 mm	95 mm	River	HIT-4369766	187.71
CLAMSHELL	4288743	78001-	Bushing	85 mm			HIT-4272960	48.79
	4288743	78001-	Wear Ring		125 mm		HIT-0223713	66.65
	4288743	78001-	Wear Ring		125 mm		HIT-0309009	22.43
	4288743	78001-D95/05	P-UB-10	85 mm	125 mm		HIT-4369902	514.54
	4288743	D95/06-	P-UB-10	85 mm	125 mm		HIT-4369902	514.54
MODEL EX200-5, EX200LC-5, EX210H-5, EX210LCH-5								
ARM	4316930	050001-	P-UB-10	95 mm	130 mm		HIT-4364916	424.35
	4316930	050001-	P-UB-10	95 mm	130 mm		HIT-4364916-EX	573.48
	4316930	050001-	Bushing	95 mm			HIT-0309204	53.01
	4316930	050001-	Wear Ring		130 mm		HIT-0254309	67.84
	4316930	050001-	Wear Ring		130 mm		HIT-0667409	11.10
	4372914	050001-	P-UB-10	95 mm	130 mm		HIT-4364916	424.35
	4372914	050001-	P-UB-10	95 mm	130 mm		HIT-4364916-EX	573.48
	4372914	050001-	Bushing	95 mm			HIT-0309204	53.01
	4372914	050001-	Wear Ring		130 mm		HIT-0254309	67.84
	4372914	050001-	Wear Ring		130 mm		HIT-0667409	11.10
	BOOM LH	4317394	050001-	P-UB-10	85 mm	120 mm		HIT-4364915
4317394		050001-	P-UB-10	85 mm	120 mm		HIT-4364915-EX	474.71
4317394		050001-	Bushing	85 mm			HIT-4272960	48.79
4317394		050001-	Wear Ring		120 mm		HIT-0667206	10.79

Hercules Sealing Products and original equipment Hitachi kits may not include the necessary wear rings for your cylinder rebuild.
Kits with an -EX suffix will include these wear rings.

Please ask your sales representative for a cross-reference if no -EX kit or complementary parts are listed.

Replacement Kits For

HITACHI

Excavators									
APPLICATION	CYL #	SERIAL #	CODE	ROD	BORE	Misc	KIT #	List \$	
MODEL EX200-5, EX200LC-5, EX210H-5, EX210LCH-5									
BOOM LH	4317394	050001-	Wear Ring		120 mm		HIT-0261308	63.96	
	4372913	050001-	P-UB-10	85 mm	120 mm		HIT-4364915	336.26	
	4372913	050001-	P-UB-10	85 mm	120 mm		HIT-4364915-EX	474.71	
	4372913	050001-	Bushing	85 mm			HIT-4272960	48.79	
	4372913	050001-	Wear Ring		120 mm		HIT-0667206	10.79	
	4372913	050001-	Wear Ring		120 mm		HIT-0261308	63.96	
BOOM RH	4317393	050001-	P-UB-10	85 mm	120 mm		HIT-4364915	336.26	
	4317393	050001-	P-UB-10	85 mm	120 mm		HIT-4364915-EX	474.71	
	4317393	050001-	Bushing	85 mm			HIT-4272960	48.79	
	4317393	050001-	Wear Ring		120 mm		HIT-0667206	10.79	
	4317393	050001-	Wear Ring		120 mm		HIT-0261308	63.96	
	4372912	050001-	P-UB-10	85 mm	120 mm		HIT-4364915	336.26	
	4372912	050001-	P-UB-10	85 mm	120 mm		HIT-4364915-EX	474.71	
	4372912	050001-	Bushing	85 mm			HIT-4272960	48.79	
	4372912	050001-	Wear Ring		120 mm		HIT-0667206	10.79	
	4372912	050001-	Wear Ring		120 mm		HIT-0261308	63.96	
	4372912	050001-	Wear Ring		120 mm		HIT-0261308	63.96	
	BUCKET	4318327	050001-	P-UB-10	75 mm	110 mm		HIT-4369890	289.71
4318327		050001-	P-UB-10	75 mm	110 mm		HIT-4369890-EX	490.73	
4318327		050001-	Bushing	75 mm			HIT-0310504	38.12	
4318327		050001-	Wear Ring		110 mm		HIT-0298907	107.68	
4318327		050001-	Wear Ring		110 mm		HIT-0410005	20.43	
4371061		050001-	P-UB-10	65 mm	95 mm	River	HIT-4369766	187.71	
4371061		050001-	P-UB-10	65 mm	95 mm	River	HIT-4369766-EX	298.15	
4371061		050001-	Bushing	65 mm		River	HIT-0310604	30.52	
4371061		050001-	Wear Ring		95 mm	River	HIT-0310610	51.37	
4371061		050001-	Wear Ring		95 mm	River	HIT-0310609	17.20	
4372915		050001-	P-UB-10	75 mm	110 mm		HIT-4369890	289.71	
4372915		050001-	P-UB-10	75 mm	110 mm		HIT-4369890-EX	490.73	
4372915		050001-	Bushing	75 mm			HIT-0310504	38.12	
4372915		050001-	Wear Ring		110 mm		HIT-0298907	107.68	
4372915		050001-	Wear Ring		110 mm		HIT-0410005	20.43	
CLAMSHELL		4288743	050001-	P-UB-10	85 mm	125 mm		HIT-4369902	514.54
		4288743	050001-	Bushing	85 mm			HIT-4272960	48.79
		4288743	050001-	Wear Ring		125 mm		HIT-0309009	22.43
	4288743	050001-	Wear Ring		125 mm		HIT-0223713	66.65	
MODEL EX220									
ARM			P-UB-14	100 mm	145 mm		HIT-4203831	377.00	
BOOM			P-UB-10	90 mm	135 mm		HIT-4203830	347.54	
BUCKET			P-UB-10	90 mm	135 mm		HIT-4203830	347.54	
MODEL EX220-2									
ARM			P-UB-10	100 mm	135 mm		HIT-9103843	404.08	
BOOM			P-UB-10	90 mm	125 mm		HIT-9103842	308.48	
BUCKET			P-UB-14	85 mm	125 mm		HIT-9103844	311.15	
MODEL EX220-3, EX220LC-3									
ARM	9101317	10001-	P-UB-10	100 mm	135 mm		HIT-9103843	404.08	
	9101317	10001-	Bushing	100 mm			HIT-4272963	73.24	
	9101317	10001-	Wear Ring		135 mm		HIT-4185246	80.96	
	9101317	10001-	Wear Ring		135 mm		HIT-4252191	32.87	
BOOM LH	9101316	10001-	P-UB-10	90 mm	125 mm		HIT-9103842	308.48	
	9101316	10001-	Bushing	90 mm			HIT-4272961	47.06	
	9101316	10001-	Wear Ring		125 mm		HIT-4253562	23.89	
BOOM RH	9101316	10001-	Wear Ring		125 mm		HIT-4168234	74.57	
	9101315	10001-	P-UB-10	90 mm	125 mm		HIT-9103842	308.48	
	9101315	10001-	Bushing	90 mm			HIT-4272961	47.06	
9101315	10001-	Wear Ring		125 mm		HIT-4253562	23.89		

Hercules Sealing Products and original equipment Hitachi kits may not include the necessary wear rings for your cylinder rebuild.
Kits with an -EX suffix will include these wear rings.

Please ask your sales representative for a cross-reference if no -EX kit or complementary parts are listed.

Replacement Kits For

HITACHI

Excavators									
APPLICATION	CYL #	SERIAL #	CODE	ROD	BORE	Misc	KIT #	List \$	
MODEL EX220-3, EX220LC-3									
BOOM RH	9101315	10001-	Wear Ring		125 mm		HIT-4168234	74.57	
BUCKET	9101318	10001-	P-UB-14	85 mm	125 mm		HIT-9103844	311.15	
	9101318	10001-	Bushing	85 mm			HIT-4272960	48.79	
	9101318	10001-	Wear Ring		125 mm		HIT-4168234	74.57	
	9101318	10001-	Wear Ring		125 mm		HIT-4253562	23.89	
MODEL EX220-5, EX220LC-5, EX230-5, EX230LC-5, EX230H-5, EX230LCH-5									
ARM	4380500	1001-	P-UB-10	105 mm	145 mm	River	HIT-4369943	448.13	
	4380500	1001-	Bushing	105 mm		River	HIT-0373405	62.48	
	4380500	1001-	Wear Ring		145 mm	River	HIT-0492209	28.91	
	4380500	1001-	Wear Ring		145 mm	River	HIT-0373413	110.09	
	9101317	1001-	P-UB-14	100 mm	135 mm		HIT-9178284	314.60	
	9101317	1001-	Bushing	100 mm			HIT-4272963	73.24	
	9101317	1001-	Wear Ring		135 mm		HIT-4252191	32.87	
	9101317	1001-	Wear Ring		135 mm		HIT-4185246	80.96	
	9147233	1001-	Bushing	100 mm			HIT-4272963	73.24	
	9147233	1001-	Wear Ring		135 mm		HIT-4252191	32.87	
	9147233	1001-	Wear Ring		135 mm		HIT-4185246	80.96	
	9147233	D96/12-	P-UB-14	100 mm	135 mm		HIT-9178284	314.60	
	BOOM LH	9101316	1001-	P-UB-14	90 mm	125 mm		HIT-9178283	235.94
		9101316	1001-	Bushing	90 mm			HIT-4272961	47.06
9101316		1001-	Wear Ring		125 mm		HIT-4168234	74.57	
9101316		1001-	Wear Ring		125 mm		HIT-4253562	23.89	
9147232		1001-	Bushing	90 mm			HIT-4272961	47.06	
9147232		1001-	Wear Ring		125 mm		HIT-4253562	23.89	
9147232		1001-	Wear Ring		125 mm		HIT-4168234	74.57	
9147232		D96/12-	P-UB-14	90 mm	125 mm		HIT-9178283	235.94	
BOOM RH		9101315	1001-	P-UB-14	90 mm	125 mm		HIT-9178283	235.94
	9101315	1001-	Bushing	90 mm			HIT-4272961	47.06	
	9101315	1001-	Wear Ring		125 mm		HIT-4168234	74.57	
	9101315	1001-	Wear Ring		125 mm		HIT-4253562	23.89	
	9147231	1001-	P-UB-14	90 mm	125 mm		HIT-9178283	235.94	
	9147231	1001-	Bushing	90 mm			HIT-4272961	47.06	
	9147231	1001-	Wear Ring		125 mm		HIT-4168234	74.57	
	9147231	1001-	Wear Ring		125 mm		HIT-4253562	23.89	
	BUCKET	4371061	1001-	P-UB-10	65 mm	95 mm	River	HIT-4369766	187.71
4371061		1001-	Bushing	65 mm		River	HIT-0310604	30.52	
4371061		1001-	Wear Ring		95 mm	River	HIT-0310610	51.37	
4371061		1001-	Wear Ring		95 mm	River	HIT-0310609	17.20	
9101318		1001-	P-UB-14	85 mm	125 mm		HIT-9178294	246.99	
9101318		1001-	Bushing	85 mm			HIT-4272960	48.79	
9101318		1001-	Wear Ring		125 mm		HIT-4253562	23.89	
9101318		1001-	Wear Ring		125 mm		HIT-4168234	74.57	
9147234		1001-	Bushing	85 mm			HIT-4272960	48.79	
9147234		1001-	Wear Ring		125 mm		HIT-4168234	74.57	
9147234		1001-	Wear Ring		125 mm		HIT-4253562	23.89	
9147234		D96/12-	P-UB-14	85 mm	125 mm		HIT-9178294	246.99	
MODEL EX270, EX270LC									
ARM	9076106	50001-	P-UB-14	105 mm	150 mm		HIT-9078844	554.98	
BOOM	ALL	50001-	P-UB-14	95 mm	145 mm		HIT-9078843	370.81	
BUCKET	ALL	50001-	P-UB-14	95 mm	145 mm		HIT-9078843	370.81	
MODEL EX270-5, EX270LC-5, EX280H-5, EX280LCH-5									
ARM	9147237	10001-	P-UB-14	100 mm	145 mm		HIT-9180579	335.55	
	9147237	10001-	Bushing	100 mm			HIT-4272963	73.24	
	9147237	10001-	Wear Ring		145 mm		HIT-4194621	30.62	
	9147237	10001-	Wear Ring		145 mm		HIT-4185247	88.57	

Hercules Sealing Products and original equipment Hitachi kits may not include the necessary wear rings for your cylinder rebuild. Kits with an -EX suffix will include these wear rings.

Please ask your sales representative for a cross-reference if no -EX kit or complementary parts are listed.

Replacement Kits For

HITACHI

HITACHI

Excavators								
APPLICATION	CYL #	SERIAL #	CODE	ROD	BORE	Misc	KIT #	List \$
MODEL EX270-5, EX270LC-5, EX280H-5, EX280LCH-5								
BOOM LH	9147236	10001-	P-UB-14	95 mm	135 mm		HIT-9180587	295.67
	9147236	10001-	Bushing	95 mm			HIT-4272962	53.01
	9147236	10001-	Wear Ring		135 mm		HIT-4185246	80.96
	9147236	10001-	Wear Ring		135 mm		HIT-4252191	32.87
BOOM RH	9147235	10001-	P-UB-14	95 mm	135 mm		HIT-9180587	295.67
	9147235	10001-	Bushing	95 mm			HIT-4272962	53.01
	9147235	10001-	Wear Ring		135 mm		HIT-4185246	80.96
	9147235	10001-	Wear Ring		135 mm		HIT-4252191	32.87
BUCKET	9147238	10001-	P-UB-14	90 mm	135 mm		HIT-9180580	269.88
	9147238	10001-	Bushing	90 mm			HIT-4272961	47.06
	9147238	10001-	Wear Ring		135 mm		HIT-4252191	32.87
	9147238	10001-	Wear Ring		135 mm		HIT-4185246	80.96
MODEL EX300, EX300LC								
ARM			P-UB-14	110 mm	165 mm		HIT-9078846	544.66
BOOM			P-UB-14	100 mm	145 mm		HIT-9078845	377.00
BUCKET			P-UB-14	95 mm	145 mm		HIT-9078843	370.81
MODEL EX300-3, EX300LC-3, EX300H-3, EX300LCH-3								
ARM	9122617		P-UB-14	110 mm	165 mm		HIT-9123264	303.44
	9122617	7001-	Bushing	110 mm			HIT-4284534	118.79
	9122617	7001-	Wear Ring		165 mm		HIT-4194623	44.84
	9122617	7001-	Wear Ring		165 mm		HIT-4194624	187.64
BOOM LH	9122616	7001-	P-UB-14	100 mm	145 mm		HIT-9078845	377.00
	9122616	7001-	Bushing	100 mm			HIT-4272963	73.24
	9122616	7001-	Wear Ring		145 mm		HIT-4185247	88.57
	9122616	7001-	Wear Ring		145 mm		HIT-4185249	24.43
BOOM RH	9122615	7001-	P-UB-14	100 mm	145 mm		HIT-9078845	377.00
	9122615	7001-	Bushing	100 mm			HIT-4272963	73.24
	9122615	7001-	Wear Ring		145 mm		HIT-4185247	88.57
	9122615	7001-	Wear Ring		145 mm		HIT-4185249	24.43
BUCKET	4326775	7001-	P-UB-10	65 mm	100 mm	River	HIT-4369767	197.18
	4326775	7001-	Bushing	65 mm		River	HIT-0310604	30.52
	4326775	7001-	Wear Ring		100 mm	River	HIT-0326005	19.14
	4326775	7001-	Wear Ring		100 mm	River	HIT-0254908	98.62
	9122618	7001-	Bushing	95 mm			HIT-4284535	62.35
	9122618	7001-	Wear Ring		145 mm		HIT-4185249	24.43
	9122618	7001-	Wear Ring		145 mm		HIT-4185247	88.57
	9122618	7001-HL803556	P-UB-14	95 mm	145 mm		HIT-9123265	240.97
9122618	HL803557-	P-UB-14	95 mm	145 mm		HIT-9175564	272.44	
MODEL EX300-5, EX330-5, EX350-5, EX370-5 (H,HD,K,&LC)								
ARM	9164990	20001-	P-UB-14	115 mm	170 mm		HIT-9180582	401.13
	9164990	20001-	Bushing	115 mm			HIT-4370337	93.30
	9164990	20001-	Wear Ring		170 mm		HIT-4370063	116.33
	9164990	20001-	Wear Ring		170 mm		HIT-4370064	58.24
BOOM LH	9164872	20001-	P-UB-14	105 mm	150 mm		HIT-9180581	459.54
	9164872	20001-	Bushing	105 mm			HIT-4383093	65.87
	9164872	20001-	Wear Ring		150 mm		HIT-4194622	26.29
	9164872	20001-	Wear Ring		150 mm		HIT-4171490	92.81
BOOM RH	9164874	20001-	P-UB-14	105 mm	150 mm		HIT-9180581	459.54
	9164874	20001-	Bushing	105 mm			HIT-4383093	65.87
	9164874	20001-	Wear Ring		150 mm		HIT-4194622	26.29
	9164874	20001-	Wear Ring		150 mm		HIT-4171490	92.81
BUCKET	9164997	20001-	P-UB-14	95 mm	145 mm		HIT-9175564	272.44
	9164997	20001-	Bushing	95 mm			HIT-4284535	62.35
	9164997	20001-	Wear Ring		145 mm		HIT-4185249	24.43
	9164997	20001-	Wear Ring		145 mm		HIT-4185247	88.57

Hercules Sealing Products and original equipment Hitachi kits may not include the necessary wear rings for your cylinder rebuild.
Kits with an -EX suffix will include these wear rings.

Please ask your sales representative for a cross-reference if no -EX kit or complementary parts are listed.

Replacement Kits For

HITACHI

Excavators									
APPLICATION	CYL #	SERIAL #	CODE	ROD	BORE	Misc	KIT #	List \$	
MODEL EX400, EX400LC, EX400H, EX400LCH									
ARM	4206480	02001-	P-UB-10	130 mm	190 mm		HIT-4236058	574.31	
BOOM LH	4206479	02001-	P-UB-10	115 mm	170 mm		HIT-4236057	530.58	
BOOM RH	4206478	02001-	P-UB-10	115 mm	170 mm		HIT-4236057	530.58	
BUCKET	4206481	02001-	P-UB-10	115 mm	170 mm		HIT-4236057	530.58	
MODEL EX400-3, EX400LC-3, EX400H-3, EX400LCH-3									
ARM	4219778	5001-	P-UB-10	115 mm	170 mm	Load Shovel	HIT-4236057	530.58	
	4219778	5001-	Bushing	115 mm		Load Shovel	HIT-0352704	70.57	
	4219778	5001-	Bushing	115 mm		Load Shovel	HIT-0352708	28.60	
	4219778	5001-	Wear Ring		170 mm	Load Shovel	HIT-0352712	32.99	
	4219778	5001-	Wear Ring		170 mm	Load Shovel	HIT-0259307	116.33	
	4310243	5001-	P-UB-10	130 mm	190 mm		HIT-4438679	516.80	
	4310243	5001-	Bushing	130 mm			HIT-0353004	100.07	
	4310243	5001-	Bushing	130 mm			HIT-0417605	76.29	
	4310243	5001-	Wear Ring		190 mm		HIT-0242512	120.97	
	4310243	5001-	Wear Ring		190 mm		HIT-0420307	62.76	
	BOOM LH	4249749	5162, 5164	P-UB-10	115 mm	170 mm	Load Shovel	HIT-4236057	530.58
		4249749	5162, 5164	Bushing	115 mm		Load Shovel	HIT-0352704	70.57
		4249749	5162, 5164	Bushing	115 mm		Load Shovel	HIT-0352708	28.60
		4249749	5162, 5164	Wear Ring		170 mm	Load Shovel	HIT-0259307	116.33
4249749		5162, 5164	Wear Ring		170 mm	Load Shovel	HIT-0352712	32.99	
4310242		5001-	P-UB-10	115 mm	170 mm		HIT-4438672	611.01	
4310242		5001-	Bushing	115 mm			HIT-0460004	66.79	
4310242		5001-	Bushing	115 mm			HIT-0352704	70.57	
4310242		5001-	Wear Ring		170 mm		HIT-0420109	34.86	
4310242		5001-	Wear Ring		170 mm		HIT-0259307	116.33	
4350424		5001-	P-UB-10	115 mm	170 mm	Load Shovel	HIT-4438672	611.01	
4350424		5001-	Bushing	115 mm		Load Shovel	HIT-0460004	66.79	
4350424		5001-	Bushing	115 mm		Load Shovel	HIT-0352704	70.57	
4350424		5001-	Wear Ring		170 mm	Load Shovel	HIT-0259307	116.33	
BOOM RH	4249748	5162, 5164	P-UB-10	115 mm	170 mm	Load Shovel	HIT-4236057	530.58	
	4249748	5162, 5164	Bushing	115 mm		Load Shovel	HIT-0352708	28.60	
	4249748	5162, 5164	Bushing	115 mm		Load Shovel	HIT-0352704	70.57	
	4249748	5162, 5164	Wear Ring		170 mm	Load Shovel	HIT-0259307	116.33	
	4249748	5162, 5164	Wear Ring		170 mm	Load Shovel	HIT-0352712	32.99	
	4310241	5001-	P-UB-10	115 mm	170 mm		HIT-4438672	611.01	
	4310241	5001-	Bushing	115 mm			HIT-0352704	70.57	
	4310241	5001-	Bushing	115 mm			HIT-0460004	66.79	
	4310241	5001-	Wear Ring		170 mm		HIT-0420109	34.86	
	4310241	5001-	Wear Ring		170 mm		HIT-0259307	116.33	
	4350423	5001-	P-UB-10	115 mm	170 mm	Load Shovel	HIT-4438672	611.01	
	4350423	5001-	Bushing	115 mm		Load Shovel	HIT-0460004	66.79	
	4350423	5001-	Bushing	115 mm		Load Shovel	HIT-0352704	70.57	
	4350423	5001-	Wear Ring		170 mm	Load Shovel	HIT-0420109	34.86	
BUCKET	4350423	5001-	Wear Ring		170 mm	Load Shovel	HIT-0259307	116.33	
	4310244	5001-	P-UB-10	115 mm	170 mm		HIT-4438672	611.01	
	4310244	5001-	Bushing	115 mm			HIT-0352704	70.57	
	4310244	5001-	Bushing	115 mm			HIT-0460004	66.79	
	4310244	5001-	Wear Ring		170 mm		HIT-0420109	34.86	
	4310244	5001-	Wear Ring		170 mm		HIT-0259307	116.33	
	4390024	ALL	P-UB-10	120 mm	170 mm		HIT-4438681	382.62	
	4390024	ALL	Bushing	120 mm			HIT-0450506	68.36	
	4390024	ALL	Bushing	120 mm			HIT-0450508	89.63	
	4390024	ALL	Wear Ring		170 mm		HIT-0420109	34.86	
4390024	ALL	Wear Ring		170 mm		HIT-0259307	116.33		

Hercules Sealing Products and original equipment Hitachi kits may not include the necessary wear rings for your cylinder rebuild.
Kits with an -EX suffix will include these wear rings.

Please ask your sales representative for a cross-reference if no -EX kit or complementary parts are listed.

Replacement Kits For

HITACHI

HITACHI

Excavators								
APPLICATION	CYL #	SERIAL #	CODE	ROD	BORE	Misc	KIT #	List \$
MODEL EX400-3, EX400LC-3, EX400H-3, EX400LCH-3								
BUCKET	9138785	5001-	P-UB-14	95 mm	145 mm	Long Arm	HIT-9123265	240.97
	9138785	5001-	Bushing	95 mm		Long Arm	HIT-4284535	62.35
	9138785	5001-	Wear Ring		145 mm	Long Arm	HIT-4185249	24.43
	9138785	5001-	Wear Ring		145 mm	Long Arm	HIT-4185247	88.57
BUCKET LH	4219781	5001-	P-UB-10	115 mm	150 mm	Load Shovel	HIT-4255532	398.96
	4219781	5001-	Bushing	115 mm		Load Shovel	HIT-0352708	28.60
	4219781	5001-	Bushing	115 mm		Load Shovel	HIT-0352704	70.57
	4219781	5001-	Wear Ring		150 mm	Load Shovel	HIT-0387305	29.14
BUCKET RH	4219781	5001-	Wear Ring		150 mm	Load Shovel	HIT-0237220	77.28
	4219780	5001-	P-UB-10	115 mm	150 mm	Load Shovel	HIT-4255532	398.96
	4219780	5001-	Bushing	115 mm		Load Shovel	HIT-0352704	70.57
	4219780	5001-	Bushing	115 mm		Load Shovel	HIT-0352708	28.60
DUMP	4219780	5001-	Wear Ring		150 mm	Load Shovel	HIT-0237220	77.28
	4219780	5001-	Wear Ring		150 mm	Load Shovel	HIT-0387305	29.14
	4219782	5001-	P-UB-10	65 mm	100 mm	Load Shovel	HIT-4255533	165.58
	4219782	5001-	Bushing	65 mm		Load Shovel	HIT-0310604	30.52
LEVEL	4219782	5001-	Bushing	65 mm		Load Shovel	HIT-0387503	38.24
	4219782	5001-	Wear Ring		100 mm	Load Shovel	HIT-0326005	19.14
	4219782	5001-	Wear Ring		100 mm	Load Shovel	HIT-0254908	98.62
	4219779	5001-	P-UB-10	115 mm	170 mm	Load Shovel	HIT-4236057	530.58
LOADING SHOVEL	4219779	5001-	Bushing	115 mm		Load Shovel	HIT-0352708	28.60
	4219779	5001-	Bushing	115 mm		Load Shovel	HIT-0352704	70.57
	4219779	5001-	Wear Ring		170 mm	Load Shovel	HIT-0352712	32.99
	4219779	5001-	Wear Ring		170 mm	Load Shovel	HIT-0259307	116.33
LOADING SHOVEL	4344048	5001-	P-U-10	65 mm	130 mm		HIT-4363078	219.59
	4344048	5001-	Bushing	65 mm			HIT-0657704	31.73
	4344048	5001-	Wear Ring		130 mm		HIT-0657706	137.23
MODEL EX400-3C, EX400LC-3C, EX450H-3C, EX450LCH-3C								
ARM	4310243	6001-	P-UB-10	130 mm	190 mm		HIT-4438679	516.80
	4310243	6001-	Bushing	130 mm			HIT-0353004	100.07
	4310243	6001-	Bushing	130 mm			HIT-0417605	76.29
	4310243	6001-	Wear Ring		190 mm		HIT-0242512	120.97
	4310243	6001-	Wear Ring		190 mm		HIT-0420307	62.76
BOOM LH	4310242	6001-	P-UB-10	115 mm	170 mm		HIT-4438672	611.01
	4310242	6001-	Bushing	115 mm			HIT-0352704	70.57
	4310242	6001-	Bushing	115 mm			HIT-0460004	66.79
	4310242	6001-	Wear Ring		170 mm		HIT-0259307	116.33
BOOM RH	4310242	6001-	Wear Ring		170 mm		HIT-0420109	34.86
	4310241	6001-	P-UB-10	115 mm	170 mm		HIT-4438672	611.01
	4310241	6001-	Bushing	115 mm			HIT-0352704	70.57
	4310241	6001-	Bushing	115 mm			HIT-0460004	66.79
BUCKET	4310241	6001-	Wear Ring		170 mm		HIT-0420109	34.86
	4310241	6001-	Wear Ring		170 mm		HIT-0259307	116.33
	4310244	6001-	P-UB-10	115 mm	170 mm		HIT-4438672	611.01
	4310244	6001-	Bushing	115 mm			HIT-0460004	66.79
LOADING SHOVEL	4310244	6001-	Bushing	115 mm			HIT-0352704	70.57
	4310244	6001-	Wear Ring		170 mm		HIT-0420109	34.86
	4310244	6001-	Wear Ring		170 mm		HIT-0259307	116.33
	9138785	6001-	P-UB-14	95 mm	145 mm	Long Arm	HIT-9123265	240.97
	9138785	6001-	Bushing	95 mm		Long Arm	HIT-4284535	62.35
	9138785	6001-	Wear Ring		145 mm	Long Arm	HIT-4185247	88.57
	9138785	6001-	Wear Ring		145 mm	Long Arm	HIT-4185249	24.43
LOADING SHOVEL	4344048	6001-	P-U-10	65 mm	130 mm		HIT-4363078	219.59
	4344048	6001-	Bushing	65 mm			HIT-0657704	31.73
	4344048	6001-	Wear Ring		130 mm		HIT-0657706	137.23

Hercules Sealing Products and original equipment Hitachi kits may not include the necessary wear rings for your cylinder rebuild.
 Kits with an -EX suffix will include these wear rings.
 Please ask your sales representative for a cross-reference if no -EX kit or complementary parts are listed.

Replacement Kits For

HITACHI

Excavators								
APPLICATION	CYL #	SERIAL #	CODE	ROD	BORE	Misc	KIT #	List \$
MODEL EX400-5, EX400LC-5, EX450LC-5, EX450LCH-5								
ARM	4310243	7001-	P-UB-10	130 mm	190 mm		HIT-4438679	516.80
	4310243	7001-	Bushing	130 mm			HIT-0417605	76.29
	4310243	7001-	Bushing	130 mm			HIT-0353004	100.07
	4310243	7001-	Wear Ring		190 mm		HIT-0420307	62.76
	4310243	7001-	Wear Ring		190 mm		HIT-0242512	120.97
BOOM LH	4310242	7001-	P-UB-10	115 mm	170 mm		HIT-4438672	611.01
	4310242	7001-	Bushing	115 mm			HIT-0460004	66.79
	4310242	7001-	Bushing	115 mm			HIT-0352704	70.57
	4310242	7001-	Wear Ring		170 mm		HIT-0259307	116.33
	4310242	7001-	Wear Ring		170 mm		HIT-0420109	34.86
BOOM RH	4310241	7001-	P-UB-10	115 mm	170 mm		HIT-4438672	611.01
	4310241	7001-	Bushing	115 mm			HIT-0460004	66.79
	4310241	7001-	Bushing	115 mm			HIT-0352704	70.57
	4310241	7001-	Wear Ring		170 mm		HIT-0420109	34.86
	4310241	7001-	Wear Ring		170 mm		HIT-0259307	116.33
BUCKET	4310244		P-UB-10	115 mm	170 mm		HIT-4438672	611.01
	4310244		Bushing	115 mm			HIT-0460004	66.79
	4310244		Bushing	115 mm			HIT-0352704	70.57
	4310244		Wear Ring		170 mm		HIT-0420109	34.86
	4310244		Wear Ring		170 mm		HIT-0259307	116.33
	4390024		P-UB-10	120 mm	170 mm		HIT-4438681	382.62
	4390024		Bushing	120 mm			HIT-0450506	68.36
	4390024		Bushing	120 mm			HIT-0450508	89.63
	4390024		Wear Ring		170 mm		HIT-0420109	34.86
	4390024		Wear Ring		170 mm		HIT-0259307	116.33
	9138785	7001-	P-UB-14	95 mm	145 mm	Long Arm	HIT-9123265	240.97
	9138785	7001-	Bushing	95 mm		Long Arm	HIT-4284535	62.35
	9138785	7001-	Wear Ring		145 mm	Long Arm	HIT-4185247	88.57
	9138785	7001-	Wear Ring		145 mm	Long Arm	HIT-4185249	24.43
	LOADING SHOVEL	4344048	7001-	P-U-10	65 mm	130 mm		HIT-4363078
4344048		7001-	Bushing	65 mm			HIT-0657704	31.73
4344048		7001-	Wear Ring		130 mm		HIT-0657706	137.23
MODEL EX700, EX700H								
ARM	4218518	01003-	P-UB-10	150 mm	215 mm		HIT-4254042	690.33
	4253060	6/89-	P-UB-10	150 mm	215 mm		HIT-4266596	690.33
BOOM	4218516	01003-	P-UB-10	140 mm	200 mm		HIT-4254041	601.77
	4218517	01003-	P-UB-10	140 mm	200 mm		HIT-4254041	601.77
BUCKET	4251780	01003-	P-UB-10	130 mm	190 mm		HIT-4256119	568.43
	4253061	6/89-	P-UB-10	150 mm	215 mm		HIT-4266596	690.33
MODEL EX1000								
ARM	4157138	101-	P-UB-10	150 mm	225 mm		HIT-4171991	1072.86
	4157138	101-	P-U-10	150 mm	225 mm		HIT-4163898	582.46
BOOM	4157139	101-	P-UB-10	160 mm	240 mm		HIT-4171990	1242.39
	4157139	101-	P-U-10	160 mm	240 mm		HIT-4163899	671.46
BUCKET	4174020	101-	P-UB-10	160 mm	240 mm		HIT-4171990	1242.39
	4193517	101-	P-UB-10	160 mm	240 mm		HIT-4171990	1242.39
DUMP	4157143	101-	P-UB-10	80 mm	140 mm		HIT-4171993	528.01
	4157143	101-	P-U-10	80 mm	140 mm		HIT-4163901	285.22
LEVEL	4157142	101-	P-U-10	160 mm	240 mm		HIT-4163899	671.46
	4157142	101-	P-UB-10	160 mm	240 mm		HIT-4171990	1242.39
TILT	4157140	101-	P-U-10	140 mm	190 mm		HIT-4163900	473.60
	4157140	101-	P-UB-10	140 mm	190 mm		HIT-4171992	735.62
MODEL EX1200-5								
ARM (BACKHOE)	4438244	001002-	P-UB-10	180 mm	260 mm		HIT-4660795	2656.88
ARM (LOADER)	4453176	001002-	P-UB-10	150 mm	215 mm		HIT-4660466	865.96

Hercules Sealing Products and original equipment Hitachi kits may not include the necessary wear rings for your cylinder rebuild.
Kits with an -EX suffix will include these wear rings.

Please ask your sales representative for a cross-reference if no -EX kit or complementary parts are listed.

Replacement Kits For

HITACHI

HITACHI

Excavators								
APPLICATION	CYL #	SERIAL #	CODE	ROD	BORE	Misc	KIT #	List \$
MODEL EX1200-5								
BOOM	4489977	001002-	P-UB-10	160 mm	230 mm		HIT-4660647	993.73
BOOM (BACKHOE, LOADER)	4481756	001002-	P-UB-10	160 mm	230 mm		HIT-4660647	993.73
	4459481	001002-	P-UB-10	160 mm	230 mm		HIT-4660647	993.73
BUCKET	4481756	001002-	P-UB-10	140 mm	190 mm		HIT-4438693	503.25
	4481756	001002-	P-UB-10	140 mm	190 mm		HIT-4438693-EX	721.48
	4481756	001002-	Wear Ring		190 mm		HIT-0420307	62.76
	4481756	001002-	Wear Ring		190 mm		HIT-0242512	120.97
BUCKET (BACKHOE)	4438245	001002-	P-UB-10	170 mm	240 mm		HIT-4660664	1893.86
	4454760	001002-	P-UB-10	160 mm	230 mm		HIT-4660653	1194.45
	4472605	001002-	P-UB-10	160 mm	230 mm		HIT-4660647	993.73
BUCKET LH (LOADER)	4453177	001002-	P-UB-10	150 mm	200 mm		HIT-4660159	697.93
BUCKET RH (LOADER)	4453178	001002-	P-UB-10	150 mm	200 mm		HIT-4660159	697.93
DUMP (LOADER)	4453179	001002-	P-UB-10	85 mm	140 mm		HIT-4670538	351.42
LEVEL (LOADER)	4453180	001002-	P-UB-10	160 mm	230 mm		HIT-4660647	993.73
MODEL EX1200-6								
ARM	4669228	001001-	P-UB-10	180 mm	260 mm		HIT-4699081	1454.66
ARM (LOADER)	4453176	001001-	P-UB-10	150 mm	215 mm		HIT-4660466	865.96
BOOM	4665310	001001-	P-UB-10	160 mm	230 mm		HIT-4699085	1021.37
BUCKET	4438245	001001-	P-UB-10	170 mm	240 mm		HIT-4660664	1893.86
	4685263	001001-	P-UB-10	160 mm	230 mm		HIT-4699758	779.77
	4707195	001001-	P-UB-10	160 mm	230 mm		HIT-4699758	779.77
BUCKET LH (LOADER)	4453177	001001-	P-UB-10	150 mm	200 mm		HIT-4660159	697.93
BUCKET RH (LOADER)	4453178	001001-	P-UB-10	150 mm	200 mm		HIT-4660159	697.93
DUMP (LOADER)	4453179	001001-	P-UB-10	85 mm	140 mm		HIT-4670538	351.42
LEVEL (LOADER)	4453180	001001-	P-UB-10	160 mm	230 mm		HIT-4660647	993.73
MODEL EX1800								
DUMP	4248484		P-UB-10	110 mm	190 mm		HIT-4221872	849.07
MODEL EX3500								
DUMP			P-UB-10	130 mm	225 mm		HIT-4210676	1226.43
MODEL UH083, UH083LC								
ARM	4132364	20001-20010	P-UB-5	100 mm	140 mm		HIT-4153205	438.59
	4132364	20051-	P-UB-5	100 mm	140 mm		HIT-4153205	438.59
	4153281	20011-20050	P-UB-10	100 mm	140 mm		HIT-4153211	413.90
BOOM LH	4128103	20001-20010	P-UB-5	85 mm	125 mm		HIT-4153203	520.88
	4153280	20011-20050	P-UB-10	90 mm	130 mm		HIT-4153209	282.51
	4153312	20051-	P-UB-5	85 mm	125 mm		HIT-4153203	520.88
BOOM RH	4128102	20001-20010	P-UB-5	85 mm	125 mm		HIT-4153203	520.88
	4153279	20011-20050	P-UB-10	90 mm	130 mm		HIT-4153209	282.51
	4153311	20051-	P-UB-5	85 mm	125 mm		HIT-4153203	520.88
BUCKET	4128105	20001-20010	P-UB-5	80 mm	125 mm		HIT-4153207	392.39
	4128105	20051-	P-UB-5	80 mm	125 mm		HIT-4153207	392.39
	4153282	20011-20050	P-UB-10	80 mm	125 mm		HIT-4153213	366.36
MODEL UH107								
ARM			P-UB-5	105 mm	150 mm		HIT-4096959	605.10
BOOM			P-UB-5	95 mm	150 mm		HIT-4096957	383.12
BUCKET			P-UB-5	95 mm	150 mm		HIT-4096960	380.99
MODEL UH122, UH122LC								
ARM	3011918	125	P-UB-5	105 mm	150 mm		HIT-4096958	535.53
	3015873	351-605	P-UB-5	105 mm	150 mm		HIT-4096959	605.10
	3019398	835-	P-UB-5	105 mm	150 mm		HIT-4122040	631.98
	3020009	606-834	P-UB-5	105 mm	150 mm		HIT-4117746	607.70
BOOM LH	3010528	125-605	P-UB-5	95 mm	150 mm		HIT-4096957	383.12
	3020012	606-835	P-UB-5	95 mm	150 mm		HIT-4117745	456.60
	3020973	836-	P-UB-5	95 mm	150 mm		HIT-4122039	485.30
BOOM RH	3010527	125-605	P-UB-5	95 mm	150 mm		HIT-4096957	383.12

Hercules Sealing Products and original equipment Hitachi kits may not include the necessary wear rings for your cylinder rebuild.
Kits with an -EX suffix will include these wear rings.

Please ask your sales representative for a cross-reference if no -EX kit or complementary parts are listed.

Replacement Kits For

HITACHI

Excavators								
APPLICATION	CYL #	SERIAL #	CODE	ROD	BORE	Misc	KIT #	List \$
MODEL UH122, UH122LC								
BOOM RH	3020011	606-835	P-UB-5	95 mm	150 mm		HIT-4117745	456.60
	3020972	836-	P-UB-5	95 mm	150 mm		HIT-4122039	485.30
BUCKET	3010530	125-	P-UB-5	95 mm	150 mm		HIT-4096960	380.99
MODEL UH123								
ARM	4170628	3001-	P-UB-10	105 mm	150 mm		HIT-4163569	339.61
BOOM LH	4170627	3001-	P-UB-10	95 mm	150 mm		HIT-4179470	419.91
BOOM RH	4173626	3001-	P-UB-10	95 mm	150 mm		HIT-4179470	419.91
BUCKET	4170629	3001-	P-UB-10	95 mm	150 mm		HIT-4163573	419.23
MODEL UH172								
ARM	3015411	601-	P-UB-5	120 mm	190 mm		HIT-4101392	844.42
BOOM LH	3014038		P-UB-5	110 mm	170 mm		HIT-4094852	803.26
BOOM RH	3013801		P-UB-5	110 mm	170 mm		HIT-4094852	803.26
BUCKET	3014042	001-	P-UB-5	110 mm	170 mm		HIT-4094852	803.26
MODEL UH181								
ARM	3022991	005-009;053-069	P-UB-5	110 mm	170 mm		HIT-4153235	819.62
	3027628	001-165	P-UB-5	120 mm	190 mm		HIT-4162027	927.85
	3031888	166-	P-UB-10	120 mm	190 mm		HIT-4176980	553.97
	4167618	001-004;010-052	P-UB-10	110 mm	170 mm		HIT-4167722	503.27
	4167618	070-	P-UB-10	110 mm	170 mm		HIT-4167722	503.27
BOOM LH	3026175		P-UB-5	110 mm	170 mm		HIT-4162026	869.90
	4167617		P-UB-10	110 mm	170 mm		HIT-4167721	513.01
BOOM RH	3026114		P-UB-5	110 mm	170 mm		HIT-4162026	869.90
	4167616		P-UB-10	110 mm	170 mm		HIT-4167721	513.01
BUCKET	3026115	001-145	P-UB-5	110 mm	170 mm		HIT-4162028	868.34
	3027022	001-	P-UB-5	95 mm	150 mm		HIT-4150681	563.81
	3031889	146-	P-UB-10	110 mm	170 mm		HIT-4167721	513.01
DUMP	3024187	001-	P-UB-5	55 mm	100 mm		HIT-4144635	473.13
LEVEL	3025213	001-	P-UB-5	110 mm	170 mm		HIT-4153237	746.89
TILT	3022992	005-009;053-069	P-UB-5	110 mm	150 mm		HIT-4153236	573.21
	4167620	001-004;010-052;070-	P-UB-10	110 mm	140 mm		HIT-4167724	497.19
MODEL UH501								
ARM	4157138	002-	P-U-10	150 mm	225 mm		HIT-4163898	582.46
BOOM	4157139	002-	P-U-10	160 mm	240 mm		HIT-4163899	671.46
DUMP	4157143	002-	P-U-10	80 mm	140 mm		HIT-4163901	285.22
LEVEL	4157142	002-	P-U-10	160 mm	240 mm		HIT-4163899	671.46
TILT LH	4157141	002-	P-U-10	140 mm	190 mm		HIT-4163900	473.60
TILT RH	4157140	002-	P-U-10	140 mm	190 mm		HIT-4163900	473.60
MODEL ZX35U-3								
ARM	4699449	020001-	P-U-10	45 mm	75 mm		HIT-4704455	102.52
	4699449	020001-	Bushing	45 mm			HIT-0891518	24.21
ARM (ML)	4702249	020001-	P-U-10	45 mm	75 mm		HIT-4704455	102.52
	4702249	020001-	Bushing	45 mm			HIT-0891518	24.21
BLADE	4617784	020001-	P-U-14	45 mm	95 mm		HIT-4622066	230.90
	4617784	020001-	Bushing	45 mm			HIT-0920515	18.00
BOOM (CAB ML)	4627539	020001-	P-U-10	50 mm	85 mm		HIT-4634033	171.93
	4627539	020001-	Bushing	50 mm			HIT-0948703	18.21
BOOM (CAB)	4690142	020001-	P-U-10	50 mm	85 mm		HIT-4634033	171.93
	4690142	020001-	Bushing	50 mm			HIT-0948703	18.21
BOOM (CANOPY ML)	4627538	020001-	P-U-10	50 mm	85 mm		HIT-4634033	171.93
	4627538	020001-	Bushing	50 mm			HIT-0948703	18.21
BOOM (CANOPY)	4690141	020001-	P-U-10	50 mm	85 mm		HIT-4634033	171.93
	4690141	020001-	Bushing	50 mm			HIT-0948703	18.21
BUCKET	4640335	020001-	P-U-10	40 mm	65 mm		HIT-4614058	202.65
	4640335	020001-	Bushing	40 mm			HIT-0892005	13.12

Hercules Sealing Products and original equipment Hitachi kits may not include the necessary wear rings for your cylinder rebuild.
Kits with an -EX suffix will include these wear rings.

Please ask your sales representative for a cross-reference if no -EX kit or complementary parts are listed.

HITACHI

Replacement Kits For

Excavators								
APPLICATION	CYL #	SERIAL #	CODE	ROD	BORE	Misc	KIT #	List \$
MODEL ZX35U-3								
BUCKET	4648844	020001-	P-U-10	40 mm	65 mm		HIT-4614058	202.65
	4648844	020001-	Bushing	40 mm			HIT-0892005	13.12
SWING	4608470	020001-	P-U-10	45 mm	85 mm		HIT-4614059	204.03
	4608470	020001-	Bushing	45 mm			HIT-0891605	24.21
MODEL ZX35U-3F								
ARM	4699449	020001-	P-U-10	45 mm	75 mm		HIT-4704455	102.52
	4699449	020001-	Bushing	45 mm			HIT-0891518	24.21
ARM (ML)	4702249	020001-	P-U-10	45 mm	75 mm		HIT-4704455	102.52
	4702249	020001-	Bushing	45 mm			HIT-0891518	24.21
BLADE	4617784	020001-	P-U-14	45 mm	95 mm		HIT-4622066	230.90
	4617784	020001-	Bushing	45 mm			HIT-0920515	18.00
BOOM (CAB ML)	4627539	020001-	P-U-10	50 mm	85 mm		HIT-4634033	171.93
	4627539	020001-	Bushing	50 mm			HIT-0948703	18.21
BOOM (CAB)	4690142	020001-	P-U-10	50 mm	85 mm		HIT-4634033	171.93
	4690142	020001-	Bushing	50 mm			HIT-0948703	18.21
BOOM (CANOPY ML)	4627538	020001-	P-U-10	50 mm	85 mm		HIT-4634033	171.93
	4627538	020001-	Bushing	50 mm			HIT-0948703	18.21
BOOM (CANOPY)	4690141	020001-	P-U-10	50 mm	85 mm		HIT-4634033	171.93
	4690141	020001-	Bushing	50 mm			HIT-0948703	18.21
BUCKET	4640335	020001-	P-U-10	40 mm	65 mm		HIT-4614058	202.65
	4640335	020001-	Bushing	40 mm			HIT-0892005	13.12
	4648844	020001-	P-U-10	40 mm	65 mm		HIT-4614058	202.65
	4648844	020001-	Bushing	40 mm			HIT-0892005	13.12
SWING	4608470	020001-	P-U-10	45 mm	85 mm		HIT-4614059	204.03
	4608470	020001-	Bushing	45 mm			HIT-0891605	24.21
MODEL ZX38U-3								
ARM	4699449	020001-	P-U-10	45 mm	75 mm		HIT-4704455	102.52
	4699449	020001-	Bushing	45 mm			HIT-0891518	24.21
ARM (ML)	4702249	020001-	P-U-10	45 mm	75 mm		HIT-4704455	102.52
	4702249	020001-	Bushing	45 mm			HIT-0891518	24.21
BLADE	4617784	020001-	P-U-14	45 mm	95 mm		HIT-4622066	230.90
	4617784	020001-	Bushing	45 mm			HIT-0920515	18.00
BOOM (CAB ML)	4627539	020001-	P-U-10	50 mm	85 mm		HIT-4634033	171.93
	4627539	020001-	Bushing	50 mm			HIT-0948703	18.21
BOOM (CAB)	4690142	020001-	P-U-10	50 mm	85 mm		HIT-4634033	171.93
	4690142	020001-	Bushing	50 mm			HIT-0948703	18.21
BOOM (CANOPY ML)	4627538	020001-	P-U-10	50 mm	85 mm		HIT-4634033	171.93
	4627538	020001-	Bushing	50 mm			HIT-0948703	18.21
BOOM (CANOPY)	4690141	020001-	P-U-10	50 mm	85 mm		HIT-4634033	171.93
	4690141	020001-	Bushing	50 mm			HIT-0948703	18.21
BUCKET	4640335	020001-	P-U-10	40 mm	65 mm		HIT-4614058	202.65
	4640335	020001-	Bushing	40 mm			HIT-0892005	13.12
	4648844	020001-	P-U-10	40 mm	65 mm		HIT-4614058	202.65
	4648844	020001-	Bushing	40 mm			HIT-0892005	13.12
SWING	4608470	020001-	P-U-10	45 mm	85 mm		HIT-4614059	204.03
	4608470	020001-	Bushing	45 mm			HIT-0891605	24.21
MODEL ZX38U-3F								
ARM	4699449	020001-	P-U-10	45 mm	75 mm		HIT-4704455	102.52
	4699449	020001-	Bushing	45 mm			HIT-0891518	24.21
ARM (ML)	4702249	020001-	P-U-10	45 mm	75 mm		HIT-4704455	102.52
	4702249	020001-	Bushing	45 mm			HIT-0891518	24.21
BLADE	4617784	020001-	P-U-14	45 mm	95 mm		HIT-4622066	230.90
	4617784	020001-	Bushing	45 mm			HIT-0920515	18.00
BOOM (CAB ML)	4627539	020001-	P-U-10	50 mm	85 mm		HIT-4634033	171.93
	4627539	020001-	Bushing	50 mm			HIT-0948703	18.21

Hercules Sealing Products and original equipment Hitachi kits may not include the necessary wear rings for your cylinder rebuild. Kits with an -EX suffix will include these wear rings.

Please ask your sales representative for a cross-reference if no -EX kit or complementary parts are listed.

Replacement Kits For

HITACHI

Excavators									
APPLICATION	CYL #	SERIAL #	CODE	ROD	BORE	Misc	KIT #	List \$	
MODEL ZX38U-3F									
BOOM (CAB)	4690142	020001-	P-U-10	50 mm	85 mm		HIT-4634033	171.93	
	4690142	020001-	Bushing	50 mm			HIT-0948703	18.21	
BOOM (CANOPY ML)	4627538	020001-	P-U-10	50 mm	85 mm		HIT-4634033	171.93	
	4627538	020001-	Bushing	50 mm			HIT-0948703	18.21	
BOOM (CANOPY)	4690141	020001-	P-U-10	50 mm	85 mm		HIT-4634033	171.93	
	4690141	020001-	Bushing	50 mm			HIT-0948703	18.21	
BUCKET	4640335	020001-	P-U-10	40 mm	65 mm		HIT-4614058	202.65	
	4640335	020001-	Bushing	40 mm			HIT-0892005	13.12	
	4648844	020001-	P-U-10	40 mm	65 mm		HIT-4614058	202.65	
	4648844	020001-	Bushing	40 mm			HIT-0892005	13.12	
SWING	4608470	020001-	P-U-10	45 mm	85 mm		HIT-4614059	204.03	
	4608470	020001-	Bushing	45 mm			HIT-0891605	24.21	
MODEL ZX120, ZX120E, ZX130H, ZX130K, ZX130LCN									
ARM	4423852	060001-	P-UB-10	80 mm	115 mm	Mono Boom	HIT-4448396	330.29	
	4423852	060001-	P-UB-10	80 mm	115 mm	Mono Boom	HIT-4448396-EX	452.39	
	4423852	060001-	Bushing	80 mm		Mono Boom	HIT-0309304	43.95	
	4423852	060001-	Wear Ring		115 mm	Mono Boom	HIT-0686405	10.57	
	4423852	060001-	Wear Ring		115 mm	Mono Boom	HIT-0310908	55.09	
	4438210	060001-	P-UB-10	80 mm	115 mm	Mono Boom	HIT-4448396	330.29	
	4438210	060001-	P-UB-10	80 mm	115 mm	Mono Boom	HIT-4448396-EX	452.39	
	4438210	060001-	Bushing	80 mm		Mono Boom	HIT-0309304	43.95	
	4438210	060001-	Wear Ring		115 mm	Mono Boom	HIT-0310908	55.09	
	4438210	060001-	Wear Ring		115 mm	Mono Boom	HIT-0686405	10.57	
	4608256	060001-	P-UB-10	80 mm	115 mm	2P-Boom	HIT-4448396	330.29	
	4608256	060001-	P-UB-10	80 mm	115 mm	2P-Boom	HIT-4448396-EX	452.39	
	4608256	060001-	Bushing	80 mm		2P-Boom	HIT-0309304	43.95	
	4608256	060001-	Wear Ring		115 mm	2P-Boom	HIT-0310908	55.09	
	4608256	060001-	Wear Ring		115 mm	2P-Boom	HIT-0686405	10.57	
	4612138	060001-	P-UB-10	80 mm	115 mm	2P-Boom	HIT-4448396	330.29	
	4612138	060001-	P-UB-10	80 mm	115 mm	2P-Boom	HIT-4448396-EX	452.39	
	4612138	060001-	Bushing	80 mm		2P-Boom	HIT-0309304	43.95	
	4612138	060001-	Wear Ring		115 mm	2P-Boom	HIT-0686405	10.57	
	4612138	060001-	Wear Ring		115 mm	2P-Boom	HIT-0310908	55.09	
	BLADE LH	4432509	060001-	P-UB-10	70 mm	100 mm		HIT-4388027	547.01
	BLADE RH	4432510	060001-	P-UB-10	70 mm	100 mm		HIT-4388027	547.01
	BOOM LH	4428437	060001-	P-UB-10	70 mm	105 mm		HIT-4448395	273.75
		4428437	060001-	P-UB-10	70 mm	105 mm		HIT-4448395-EX	594.07
		4428437	060001-	Bushing	70 mm			HIT-0310304	34.45
		4428437	060001-	Wear Ring		105 mm		HIT-0310510	130.12
4428437		060001-	Wear Ring		105 mm		HIT-0666808	10.35	
4438211		060001-	P-UB-10	70 mm	105 mm		HIT-4448395	273.75	
4438211		060001-	P-UB-10	70 mm	105 mm		HIT-4448395-EX	594.07	
4438211		060001-	Bushing	70 mm			HIT-0310304	34.45	
4438211		060001-	Wear Ring		105 mm		HIT-0666808	10.35	
4438211		060001-	Wear Ring		105 mm		HIT-0310510	130.12	
BOOM RH		4428436	060001-	P-UB-10	70 mm	105 mm		HIT-4448395	273.75
		4428436	060001-	P-UB-10	70 mm	105 mm		HIT-4448395-EX	594.07
		4428436	060001-	Bushing	70 mm			HIT-0310304	34.45
	4428436	060001-	Wear Ring		105 mm		HIT-0666808	10.35	
	4428436	060001-	Wear Ring		105 mm		HIT-0310510	130.12	
	4438212	060001-	P-UB-10	70 mm	105 mm		HIT-4448395	273.75	
	4438212	060001-	P-UB-10	70 mm	105 mm		HIT-4448395-EX	594.07	
	4438212	060001-	Bushing	70 mm			HIT-0310304	34.45	
	4438212	060001-	Wear Ring		105 mm		HIT-0666808	10.35	
	4438212	060001-	Wear Ring		105 mm		HIT-0310510	130.12	

Hercules Sealing Products and original equipment Hitachi kits may not include the necessary wear rings for your cylinder rebuild.
Kits with an -EX suffix will include these wear rings.

Please ask your sales representative for a cross-reference if no -EX kit or complementary parts are listed.

Replacement Kits For

HITACHI

Excavators								
APPLICATION	CYL #	SERIAL #	CODE	ROD	BORE	Misc	KIT #	List \$
MODEL ZX120, ZX120E, ZX130H, ZX130K, ZX130LCN								
BUCKET	4423853	060001-	P-UB-10	70 mm	100 mm		HIT-4448397	263.32
	4423853	060001-	P-UB-10	70 mm	100 mm		HIT-4448397-EX	463.70
	4423853	060001-	Bushing	70 mm			HIT-0310304	34.45
	4423853	060001-	Wear Ring		100 mm		HIT-0686707	10.15
	4423853	060001-	Wear Ring		100 mm		HIT-0254908	98.62
MODEL ZX120-3								
ARM	4678948	080001-	P-UB-10	80 mm	115 mm	MONO BOOM	HIT-4669905	183.35
	4678948	080001-	P-UB-10	80 mm	115 mm	MONO BOOM	HIT-4669905-EX	255.28
	4678948	080001-	Bushing	80 mm		MONO BOOM	HIT-0309304	43.95
	4678948	080001-	Wear Ring		115 mm	MONO BOOM	HIT-0310908	55.09
	4678948	080001-	Wear Ring		115 mm	MONO BOOM	HIT-1102304	10.57
	4682187	080001-	P-UB-10	80 mm	115 mm	2P-BOOM	HIT-4669905	183.35
	4682187	080001-	P-UB-10	80 mm	115 mm	2P-BOOM	HIT-4669905-EX	255.28
	4682187	080001-	Bushing	80 mm		2P-BOOM	HIT-0309304	43.95
	4682187	080001-	Wear Ring		115 mm	2P-BOOM	HIT-0310908	55.09
	4682187	080001-	Wear Ring		115 mm	2P-BOOM	HIT-1102304	10.57
	4682535	080001-	P-UB-10	80 mm	115 mm	MONO BOOM	HIT-4669905	183.35
	4682535	080001-	P-UB-10	80 mm	115 mm	MONO BOOM	HIT-4669905-EX	255.28
	4682535	080001-	Bushing	80 mm		MONO BOOM	HIT-0309304	43.95
	4682535	080001-	Wear Ring		115 mm	MONO BOOM	HIT-0310908	55.09
	4682535	080001-	Wear Ring		115 mm	MONO BOOM	HIT-1102304	10.57
	4682536	080001-	P-UB-10	80 mm	115 mm	2P-BOOM	HIT-4669905	183.35
	4682536	080001-	P-UB-10	80 mm	115 mm	2P-BOOM	HIT-4669905-EX	255.28
	4682536	080001-	Bushing	80 mm		2P-BOOM	HIT-0309304	43.95
	4682536	080001-	Wear Ring		115 mm	2P-BOOM	HIT-1102304	10.57
	4682536	080001-	Wear Ring		115 mm	2P-BOOM	HIT-0310908	55.09
BLADE LH	4432509	080001-	P-UB-10	70 mm	100 mm		HIT-4388027	547.01
	4432509	080001-	Bushing	70 mm			HIT-0643402	14.40
BLADE RH	4432510	080001-	P-UB-10	70 mm	100 mm		HIT-4388027	547.01
	4432510	080001-	Bushing	70 mm			HIT-0643402	14.40
BOOM LH	4642007	080001-	P-UB-10	70 mm	105 mm		HIT-4662895	273.75
	4642007	080001-	P-UB-10	70 mm	105 mm		HIT-4662895-EX	594.07
	4642007	080001-	Bushing	70 mm			HIT-0310304	34.45
	4642007	080001-	Wear Ring		105 mm		HIT-0310510	130.12
	4642007	080001-	Wear Ring		105 mm		HIT-0907801	18.15
	4682801	080001-	P-UB-10	70 mm	105 mm		HIT-4662895	273.75
	4682801	080001-	P-UB-10	70 mm	105 mm		HIT-4662895-EX	594.07
	4682801	080001-	Bushing	70 mm			HIT-0310304	34.45
	4682801	080001-	Wear Ring		105 mm		HIT-0310510	130.12
	4682801	080001-	Wear Ring		105 mm		HIT-0907801	18.15
	4689663	080001-	P-UB-10	70 mm	105 mm	ML CRANE	HIT-4662895	273.75
	4689663	080001-	P-UB-10	70 mm	105 mm	ML CRANE	HIT-4662895-EX	594.07
	4689663	080001-	Bushing	70 mm		ML CRANE	HIT-0310304	34.45
	4689663	080001-	Wear Ring		105 mm	ML CRANE	HIT-0310510	130.12
	4689663	080001-	Wear Ring		105 mm	ML CRANE	HIT-0907801	18.15
BOOM RH	4642006	080001-	P-UB-10	70 mm	105 mm		HIT-4662895	273.75
	4642006	080001-	P-UB-10	70 mm	105 mm		HIT-4662895-EX	594.07
	4642006	080001-	Bushing	70 mm			HIT-0310304	34.45
	4642006	080001-	Wear Ring		105 mm		HIT-0310510	130.12
	4642006	080001-	Wear Ring		105 mm		HIT-0907801	18.15
	4682800	080001-	P-UB-10	70 mm	105 mm		HIT-4662895	273.75
	4682800	080001-	P-UB-10	70 mm	105 mm		HIT-4662895-EX	594.07
	4682800	080001-	Bushing	70 mm			HIT-0310304	34.45
	4682800	080001-	Wear Ring		105 mm		HIT-0310510	130.12
	4682800	080001-	Wear Ring		105 mm		HIT-0907801	18.15

Hercules Sealing Products and original equipment Hitachi kits may not include the necessary wear rings for your cylinder rebuild.
Kits with an -EX suffix will include these wear rings.

Please ask your sales representative for a cross-reference if no -EX kit or complementary parts are listed.

Replacement Kits For

HITACHI

Excavators								
APPLICATION	CYL #	SERIAL #	CODE	ROD	BORE	Misc	KIT #	List \$
MODEL ZX120-3								
BUCKET	4646526	080001-	P-UB-10	70 mm	100 mm		HIT-4663496	151.54
	4646526	080001-	P-UB-10	70 mm	100 mm		HIT-4663496-EX	288.75
	4646526	080001-	Bushing	70 mm			HIT-0310304	34.45
	4646526	080001-	Wear Ring		100 mm		HIT-0254908	98.62
	4646526	080001-	Wear Ring		100 mm		HIT-1137704	19.14
POSITIONING	4682188	080001-	P-UB-10	95 mm	140 mm		HIT-4649053	298.82
	4682188	080001-	P-UB-10	95 mm	140 mm		HIT-4649053-EX	459.97
	4682188	080001-	Bushing	95 mm			HIT-0309204	53.01
	4682188	080001-	Wear Ring		140 mm		HIT-0960302	28.91
	4682188	080001-	Wear Ring		140 mm		HIT-0224108	69.98
	4682537	080001-	P-UB-10	95 mm	140 mm		HIT-4649053	298.82
	4682537	080001-	P-UB-10	95 mm	140 mm		HIT-4649053-EX	459.97
	4682537	080001-	Bushing	95 mm			HIT-0309204	53.01
	4682537	080001-	Wear Ring		140 mm		HIT-0224108	69.98
	4682537	080001-	Wear Ring		140 mm		HIT-0960302	28.91
	MODEL ZX130-3							
ARM	4678948	080001-	P-UB-10	80 mm	115 mm	MONO BOOM	HIT-4669905	183.35
	4678948	080001-	P-UB-10	80 mm	115 mm	MONO BOOM	HIT-4669905-EX	255.28
	4678948	080001-	Bushing	80 mm		MONO BOOM	HIT-0309304	43.95
	4678948	080001-	Wear Ring		115 mm	MONO BOOM	HIT-1102304	10.57
	4678948	080001-	Wear Ring		115 mm	MONO BOOM	HIT-0310908	55.09
	4682187	080001-	P-UB-10	80 mm	115 mm	2P-BOOM	HIT-4669905	183.35
	4682187	080001-	P-UB-10	80 mm	115 mm	2P-BOOM	HIT-4669905-EX	255.28
	4682187	080001-	Bushing	80 mm		2P-BOOM	HIT-0309304	43.95
	4682187	080001-	Wear Ring		115 mm	2P-BOOM	HIT-0310908	55.09
	4682187	080001-	Wear Ring		115 mm	2P-BOOM	HIT-1102304	10.57
	4682535	080001-	P-UB-10	80 mm	115 mm	MONO BOOM	HIT-4669905	183.35
	4682535	080001-	P-UB-10	80 mm	115 mm	MONO BOOM	HIT-4669905-EX	255.28
	4682535	080001-	Bushing	80 mm		MONO BOOM	HIT-0309304	43.95
	4682535	080001-	Wear Ring		115 mm	MONO BOOM	HIT-0310908	55.09
	4682535	080001-	Wear Ring		115 mm	MONO BOOM	HIT-1102304	10.57
	4682536	080001-	P-UB-10	80 mm	115 mm	2P-BOOM	HIT-4669905	183.35
	4682536	080001-	P-UB-10	80 mm	115 mm	2P-BOOM	HIT-4669905-EX	255.28
	4682536	080001-	Bushing	80 mm		2P-BOOM	HIT-0309304	43.95
	4682536	080001-	Wear Ring		115 mm	2P-BOOM	HIT-0310908	55.09
	4682536	080001-	Wear Ring		115 mm	2P-BOOM	HIT-1102304	10.57
	BLADE LH	4432509	080001-	P-UB-10	70 mm	100 mm		HIT-4388027
4432509		080001-	Bushing	70 mm			HIT-0643402	14.40
BLADE RH	4432510	080001-	P-UB-10	70 mm	100 mm		HIT-4388027	547.01
	4432510	080001-	Bushing	70 mm			HIT-0643402	14.40
BOOM LH	4642007	080001-	P-UB-10	70 mm	105 mm		HIT-4662895	273.75
	4642007	080001-	P-UB-10	70 mm	105 mm		HIT-4662895-EX	594.07
	4642007	080001-	Bushing	70 mm			HIT-0310304	34.45
	4642007	080001-	Wear Ring		105 mm		HIT-0310510	130.12
	4642007	080001-	Wear Ring		105 mm		HIT-0907801	18.15
	4682801	080001-	P-UB-10	70 mm	105 mm		HIT-4662895	273.75
	4682801	080001-	P-UB-10	70 mm	105 mm		HIT-4662895-EX	594.07
	4682801	080001-	Bushing	70 mm			HIT-0310304	34.45
	4682801	080001-	Wear Ring		105 mm		HIT-0310510	130.12
	4682801	080001-	Wear Ring		105 mm		HIT-0907801	18.15
	4689663	080001-	P-UB-10	70 mm	105 mm	ML CRANE	HIT-4662895	273.75
	4689663	080001-	P-UB-10	70 mm	105 mm	ML CRANE	HIT-4662895-EX	594.07
	4689663	080001-	Bushing	70 mm		ML CRANE	HIT-0310304	34.45
	4689663	080001-	Wear Ring		105 mm	ML CRANE	HIT-0310510	130.12
	4689663	080001-	Wear Ring		105 mm	ML CRANE	HIT-0907801	18.15

Hercules Sealing Products and original equipment Hitachi kits may not include the necessary wear rings for your cylinder rebuild. Kits with an -EX suffix will include these wear rings.

Please ask your sales representative for a cross-reference if no -EX kit or complementary parts are listed.

Replacement Kits For

HITACHI

HITACHI

Excavators									
APPLICATION	CYL #	SERIAL #	CODE	ROD	BORE	Misc	KIT #	List \$	
MODEL ZX130-3									
BOOM RH	4642006	080001-	P-UB-10	70 mm	105 mm		HIT-4662895	273.75	
	4642006	080001-	P-UB-10	70 mm	105 mm		HIT-4662895-EX	594.07	
	4642006	080001-	Bushing	70 mm			HIT-0310304	34.45	
	4642006	080001-	Wear Ring		105 mm		HIT-0310510	130.12	
	4642006	080001-	Wear Ring		105 mm		HIT-0907801	18.15	
	4682800	080001-	P-UB-10	70 mm	105 mm		HIT-4662895	273.75	
	4682800	080001-	P-UB-10	70 mm	105 mm		HIT-4662895-EX	594.07	
	4682800	080001-	Bushing	70 mm			HIT-0310304	34.45	
	4682800	080001-	Wear Ring		105 mm		HIT-0310510	130.12	
	4682800	080001-	Wear Ring		105 mm		HIT-0907801	18.15	
	BUCKET	4646526	080001-	P-UB-10	70 mm	100 mm		HIT-4663496	151.54
		4646526	080001-	P-UB-10	70 mm	100 mm		HIT-4663496-EX	288.75
		4646526	080001-	Bushing	70 mm			HIT-0310304	34.45
		4646526	080001-	Wear Ring		100 mm		HIT-0254908	98.62
4646526		080001-	Wear Ring		100 mm		HIT-1137704	19.14	
POSITIONING	4682188	080001-	P-UB-10	95 mm	140 mm		HIT-4649053	298.82	
	4682188	080001-	P-UB-10	95 mm	140 mm		HIT-4649053-EX	459.97	
	4682188	080001-	Bushing	95 mm			HIT-0309204	53.01	
	4682188	080001-	Wear Ring		140 mm		HIT-0960302	28.91	
	4682188	080001-	Wear Ring		140 mm		HIT-0224108	69.98	
	4682537	080001-	P-UB-10	95 mm	140 mm		HIT-4649053	298.82	
	4682537	080001-	P-UB-10	95 mm	140 mm		HIT-4649053-EX	459.97	
	4682537	080001-	Bushing	95 mm			HIT-0309204	53.01	
	4682537	080001-	Wear Ring		140 mm		HIT-0224108	69.98	
	4682537	080001-	Wear Ring		140 mm		HIT-0960302	28.91	
MODEL ZX130K-3									
ARM	4678948	080001-	P-UB-10	80 mm	115 mm	MONO BOOM	HIT-4669905	183.35	
	4678948	080001-	P-UB-10	80 mm	115 mm	MONO BOOM	HIT-4669905-EX	255.28	
	4678948	080001-	Bushing	80 mm		MONO BOOM	HIT-0309304	43.95	
	4678948	080001-	Wear Ring		115 mm	MONO BOOM	HIT-1102304	10.57	
	4678948	080001-	Wear Ring		115 mm	MONO BOOM	HIT-0310908	55.09	
	4682187	080001-	P-UB-10	80 mm	115 mm	2P-BOOM	HIT-4669905	183.35	
	4682187	080001-	P-UB-10	80 mm	115 mm	2P-BOOM	HIT-4669905-EX	255.28	
	4682187	080001-	Bushing	80 mm		2P-BOOM	HIT-0309304	43.95	
	4682187	080001-	Wear Ring		115 mm	2P-BOOM	HIT-0310908	55.09	
	4682187	080001-	Wear Ring		115 mm	2P-BOOM	HIT-1102304	10.57	
	4682535	080001-	P-UB-10	80 mm	115 mm	MONO BOOM	HIT-4669905	183.35	
	4682535	080001-	P-UB-10	80 mm	115 mm	MONO BOOM	HIT-4669905-EX	255.28	
	4682535	080001-	Bushing	80 mm		MONO BOOM	HIT-0309304	43.95	
	4682535	080001-	Wear Ring		115 mm	MONO BOOM	HIT-0310908	55.09	
	4682535	080001-	Wear Ring		115 mm	MONO BOOM	HIT-1102304	10.57	
	4682536	080001-	P-UB-10	80 mm	115 mm	2P-BOOM	HIT-4669905	183.35	
	4682536	080001-	P-UB-10	80 mm	115 mm	2P-BOOM	HIT-4669905-EX	255.28	
	4682536	080001-	Bushing	80 mm		2P-BOOM	HIT-0309304	43.95	
	4682536	080001-	Wear Ring		115 mm	2P-BOOM	HIT-0310908	55.09	
	4682536	080001-	Wear Ring		115 mm	2P-BOOM	HIT-1102304	10.57	
	BLADE LH	4432509	080001-	P-UB-10	70 mm	100 mm		HIT-4388027	547.01
		4432509	080001-	Bushing	70 mm			HIT-0643402	14.40
BLADE RH	4432510	080001-	P-UB-10	70 mm	100 mm		HIT-4388027	547.01	
	4432510	080001-	Bushing	70 mm			HIT-0643402	14.40	
BOOM LH	4642007	080001-	P-UB-10	70 mm	105 mm		HIT-4662895	273.75	
	4642007	080001-	P-UB-10	70 mm	105 mm		HIT-4662895-EX	594.07	
	4642007	080001-	Bushing	70 mm			HIT-0310304	34.45	
	4642007	080001-	Wear Ring		105 mm		HIT-0310510	130.12	
	4642007	080001-	Wear Ring		105 mm		HIT-0907801	18.15	

Hercules Sealing Products and original equipment Hitachi kits may not include the necessary wear rings for your cylinder rebuild. Kits with an -EX suffix will include these wear rings.

Please ask your sales representative for a cross-reference if no -EX kit or complementary parts are listed.

Replacement Kits For

HITACHI

Excavators									
APPLICATION	CYL #	SERIAL #	CODE	ROD	BORE	Misc	KIT #	List \$	
MODEL ZX130K-3									
BOOM LH	4682801	080001-	P-UB-10	70 mm	105 mm		HIT-4662895	273.75	
	4682801	080001-	P-UB-10	70 mm	105 mm		HIT-4662895-EX	594.07	
	4682801	080001-	Bushing	70 mm			HIT-0310304	34.45	
	4682801	080001-	Wear Ring		105 mm		HIT-0310510	130.12	
	4682801	080001-	Wear Ring		105 mm		HIT-0907801	18.15	
	4689663	080001-	P-UB-10	70 mm	105 mm	ML CRANE	HIT-4662895	273.75	
	4689663	080001-	P-UB-10	70 mm	105 mm	ML CRANE	HIT-4662895-EX	594.07	
	4689663	080001-	Bushing	70 mm		ML CRANE	HIT-0310304	34.45	
	4689663	080001-	Wear Ring		105 mm	ML CRANE	HIT-0310510	130.12	
	4689663	080001-	Wear Ring		105 mm	ML CRANE	HIT-0907801	18.15	
	BOOM RH	4642006	080001-	P-UB-10	70 mm	105 mm		HIT-4662895	273.75
		4642006	080001-	P-UB-10	70 mm	105 mm		HIT-4662895-EX	594.07
		4642006	080001-	Bushing	70 mm			HIT-0310304	34.45
		4642006	080001-	Wear Ring		105 mm		HIT-0310510	130.12
4642006		080001-	Wear Ring		105 mm		HIT-0907801	18.15	
4682800		080001-	P-UB-10	70 mm	105 mm		HIT-4662895	273.75	
4682800		080001-	P-UB-10	70 mm	105 mm		HIT-4662895-EX	594.07	
4682800		080001-	Bushing	70 mm			HIT-0310304	34.45	
4682800		080001-	Wear Ring		105 mm		HIT-0310510	130.12	
4682800		080001-	Wear Ring		105 mm		HIT-0907801	18.15	
BUCKET	4646526	080001-	P-UB-10	70 mm	100 mm		HIT-4663496	151.54	
	4646526	080001-	P-UB-10	70 mm	100 mm		HIT-4663496-EX	288.75	
	4646526	080001-	Bushing	70 mm			HIT-0310304	34.45	
	4646526	080001-	Wear Ring		100 mm		HIT-0254908	98.62	
	4646526	080001-	Wear Ring		100 mm		HIT-1137704	19.14	
POSITIONING	4682188	080001-	P-UB-10	95 mm	140 mm		HIT-4649053	298.82	
	4682188	080001-	P-UB-10	95 mm	140 mm		HIT-4649053-EX	459.97	
	4682188	080001-	Bushing	95 mm			HIT-0309204	53.01	
	4682188	080001-	Wear Ring		140 mm		HIT-0960302	28.91	
	4682188	080001-	Wear Ring		140 mm		HIT-0224108	69.98	
	4682537	080001-	P-UB-10	95 mm	140 mm		HIT-4649053	298.82	
	4682537	080001-	P-UB-10	95 mm	140 mm		HIT-4649053-EX	459.97	
	4682537	080001-	Bushing	95 mm			HIT-0309204	53.01	
	4682537	080001-	Wear Ring		140 mm		HIT-0960302	28.91	
	4682537	080001-	Wear Ring		140 mm		HIT-0224108	69.98	
MODEL ZX130LCN-3									
ARM	4678948	080001-	P-UB-10	80 mm	115 mm	MONO BOOM	HIT-4669905	183.35	
	4678948	080001-	P-UB-10	80 mm	115 mm	MONO BOOM	HIT-4669905-EX	255.28	
	4678948	080001-	Bushing	80 mm		MONO BOOM	HIT-0309304	43.95	
	4678948	080001-	Wear Ring		115 mm	MONO BOOM	HIT-0310908	55.09	
	4678948	080001-	Wear Ring		115 mm	MONO BOOM	HIT-1102304	10.57	
	4682187	080001-	P-UB-10	80 mm	115 mm	2P-BOOM	HIT-4669905	183.35	
	4682187	080001-	P-UB-10	80 mm	115 mm	2P-BOOM	HIT-4669905-EX	255.28	
	4682187	080001-	Bushing	80 mm		2P-BOOM	HIT-0309304	43.95	
	4682187	080001-	Wear Ring		115 mm	2P-BOOM	HIT-0310908	55.09	
	4682187	080001-	Wear Ring		115 mm	2P-BOOM	HIT-1102304	10.57	
	4682535	080001-	P-UB-10	80 mm	115 mm	MONO BOOM	HIT-4669905	183.35	
	4682535	080001-	P-UB-10	80 mm	115 mm	MONO BOOM	HIT-4669905-EX	255.28	
	4682535	080001-	Bushing	80 mm		MONO BOOM	HIT-0309304	43.95	
	4682535	080001-	Wear Ring		115 mm	MONO BOOM	HIT-0310908	55.09	
	4682535	080001-	Wear Ring		115 mm	MONO BOOM	HIT-1102304	10.57	
	4682536	080001-	P-UB-10	80 mm	115 mm	2P-BOOM	HIT-4669905	183.35	
	4682536	080001-	P-UB-10	80 mm	115 mm	2P-BOOM	HIT-4669905-EX	255.28	
	4682536	080001-	Bushing	80 mm		2P-BOOM	HIT-0309304	43.95	
	4682536	080001-	Wear Ring		115 mm	2P-BOOM	HIT-1102304	10.57	

Hercules Sealing Products and original equipment Hitachi kits may not include the necessary wear rings for your cylinder rebuild. Kits with an -EX suffix will include these wear rings.

Please ask your sales representative for a cross-reference if no -EX kit or complementary parts are listed.

Replacement Kits For

HITACHI

Excavators								
APPLICATION	CYL #	SERIAL #	CODE	ROD	BORE	Misc	KIT #	List \$
MODEL ZX130LCN-3								
ARM	4682536	080001-	Wear Ring		115 mm	2P-BOOM	HIT-0310908	55.09
BLADE LH	4432509	080001-	P-UB-10	70 mm	100 mm		HIT-4388027	547.01
	4432509	080001-	Bushing	70 mm			HIT-0643402	14.40
BLADE RH	4432510	080001-	P-UB-10	70 mm	100 mm		HIT-4388027	547.01
	4432510	080001-	Bushing	70 mm			HIT-0643402	14.40
BOOM LH	4642007	080001-	P-UB-10	70 mm	105 mm		HIT-4662895	273.75
	4642007	080001-	P-UB-10	70 mm	105 mm		HIT-4662895-EX	594.07
	4642007	080001-	Bushing	70 mm			HIT-0310304	34.45
	4642007	080001-	Wear Ring		105 mm		HIT-0310510	130.12
	4642007	080001-	Wear Ring		105 mm		HIT-0907801	18.15
	4682801	080001-	P-UB-10	70 mm	105 mm		HIT-4662895	273.75
	4682801	080001-	P-UB-10	70 mm	105 mm		HIT-4662895-EX	594.07
	4682801	080001-	Bushing	70 mm			HIT-0310304	34.45
	4682801	080001-	Wear Ring		105 mm		HIT-0310510	130.12
	4682801	080001-	Wear Ring		105 mm		HIT-0907801	18.15
	4689663	080001-	P-UB-10	70 mm	105 mm	ML CRANE	HIT-4662895	273.75
	4689663	080001-	P-UB-10	70 mm	105 mm	ML CRANE	HIT-4662895-EX	594.07
	4689663	080001-	Bushing	70 mm		ML CRANE	HIT-0310304	34.45
	4689663	080001-	Wear Ring		105 mm	ML CRANE	HIT-0310510	130.12
	4689663	080001-	Wear Ring		105 mm	ML CRANE	HIT-0907801	18.15
BOOM RH	4642006	080001-	P-UB-10	70 mm	105 mm		HIT-4662895	273.75
	4642006	080001-	P-UB-10	70 mm	105 mm		HIT-4662895-EX	594.07
	4642006	080001-	Bushing	70 mm			HIT-0310304	34.45
	4642006	080001-	Wear Ring		105 mm		HIT-0310510	130.12
	4642006	080001-	Wear Ring		105 mm		HIT-0907801	18.15
	4682800	080001-	P-UB-10	70 mm	105 mm		HIT-4662895	273.75
	4682800	080001-	P-UB-10	70 mm	105 mm		HIT-4662895-EX	594.07
	4682800	080001-	Bushing	70 mm			HIT-0310304	34.45
	4682800	080001-	Wear Ring		105 mm		HIT-0310510	130.12
	4682800	080001-	Wear Ring		105 mm		HIT-0907801	18.15
	BUCKET	4646526	080001-	P-UB-10	70 mm	100 mm		HIT-4663496
4646526		080001-	P-UB-10	70 mm	100 mm		HIT-4663496-EX	288.75
4646526		080001-	Bushing	70 mm			HIT-0310304	34.45
4646526		080001-	Wear Ring		100 mm		HIT-0254908	98.62
4646526		080001-	Wear Ring		100 mm		HIT-1137704	19.14
POSITIONING	4682188	080001-	P-UB-10	95 mm	140 mm		HIT-4649053	298.82
	4682188	080001-	P-UB-10	95 mm	140 mm		HIT-4649053-EX	459.97
	4682188	080001-	Bushing	95 mm			HIT-0309204	53.01
	4682188	080001-	Wear Ring		140 mm		HIT-0224108	69.98
	4682188	080001-	Wear Ring		140 mm		HIT-0960302	28.91
	4682537	080001-	P-UB-10	95 mm	140 mm		HIT-4649053	298.82
	4682537	080001-	P-UB-10	95 mm	140 mm		HIT-4649053-EX	459.97
	4682537	080001-	Bushing	95 mm			HIT-0309204	53.01
	4682537	080001-	Wear Ring		140 mm		HIT-0960302	28.91
4682537	080001-	Wear Ring		140 mm		HIT-0224108	69.98	
MODEL ZX135US-3								
ARM	4678948	080001-	P-UB-10	80 mm	115 mm		HIT-4669905	183.35
	4678948	080001-	P-UB-10	80 mm	115 mm		HIT-4669905-EX	255.28
	4678948	080001-	Wear Ring		115 mm		HIT-1102304	10.57
	4682535	080001-	P-UB-10	80 mm	115 mm	With Hose Rupture Valve	HIT-4669905	183.35
	4682535	080001-	P-UB-10	80 mm	115 mm	With Hose Rupture Valve	HIT-4669905-EX	255.28
	4682535	080001-	Wear Ring		115 mm	With Hose Rupture Valve	HIT-1102304	10.57
	4683743	080001-	Wear Ring		115 mm		HIT-0310908	55.09

Hercules Sealing Products and original equipment Hitachi kits may not include the necessary wear rings for your cylinder rebuild. Kits with an -EX suffix will include these wear rings.

Please ask your sales representative for a cross-reference if no -EX kit or complementary parts are listed.

Replacement Kits For

HITACHI

Excavators									
APPLICATION	CYL #	SERIAL #	CODE	ROD	BORE	Misc	KIT #	List \$	
MODEL ZX135US-3									
ARM	4683743	080001-	Wear Ring		115 mm		HIT-1102304	10.57	
	4683811	080001-	Wear Ring		115 mm		HIT-0310908	55.09	
	4683811	080001-	Wear Ring		115 mm		HIT-1102304	10.57	
BLADE RH	4432509	080001-	P-UB-10	70 mm	100 mm		HIT-4388027	547.01	
	4432510	080001-	P-UB-10	70 mm	100 mm		HIT-4388027	547.01	
BOOM LH	4647563	080001-	P-UB-10	70 mm	105 mm		HIT-4662895	273.75	
	4647563	080001-	P-UB-10	70 mm	105 mm		HIT-4662895-EX	594.07	
	4647563	080001-	Wear Ring		105 mm		HIT-0310510	130.12	
	4647563	080001-	Wear Ring		105 mm		HIT-0907801	18.15	
	4683742	080001-	P-UB-10	70 mm	105 mm		HIT-4662895	273.75	
	4683742	080001-	P-UB-10	70 mm	105 mm		HIT-4662895-EX	594.07	
	4683742	080001-	Wear Ring		105 mm		HIT-0310510	130.12	
	4683742	080001-	Wear Ring		105 mm		HIT-0907801	18.15	
	4683744	080001-	P-UB-10	70 mm	105 mm		HIT-4662895	273.75	
	4683744	080001-	P-UB-10	70 mm	105 mm		HIT-4662895-EX	594.07	
	4683744	080001-	Wear Ring		105 mm		HIT-0310510	130.12	
	4683744	080001-	Wear Ring		105 mm		HIT-0907801	18.15	
	4683791	080001-	P-UB-10	70 mm	105 mm		HIT-4662895	273.75	
	4683791	080001-	P-UB-10	70 mm	105 mm		HIT-4662895-EX	594.07	
	4683791	080001-	Wear Ring		105 mm		HIT-0310510	130.12	
	4683791	080001-	Wear Ring		105 mm		HIT-0907801	18.15	
	4689665	080001-	P-UB-10	70 mm	105 mm		HIT-4662895	273.75	
	4689665	080001-	P-UB-10	70 mm	105 mm		HIT-4662895-EX	594.07	
	4689665	080001-	Wear Ring		105 mm		HIT-0310510	130.12	
	4689665	080001-	Wear Ring		105 mm		HIT-0907801	18.15	
BOOM RH	4647564	080001-	P-UB-10	70 mm	105 mm		HIT-4662895	273.75	
	4647564	080001-	P-UB-10	70 mm	105 mm		HIT-4662895-EX	594.07	
	4647564	080001-	Wear Ring		105 mm		HIT-0310510	130.12	
	4647564	080001-	Wear Ring		105 mm		HIT-0907801	18.15	
	4683741	080001-	P-UB-10	70 mm	105 mm		HIT-4662895	273.75	
	4683741	080001-	P-UB-10	70 mm	105 mm		HIT-4662895-EX	594.07	
	4683741	080001-	Wear Ring		105 mm		HIT-0310510	130.12	
	4683741	080001-	Wear Ring		105 mm		HIT-0907801	18.15	
	4683745	080001-	P-UB-10	70 mm	105 mm		HIT-4662895	273.75	
	4683745	080001-	P-UB-10	70 mm	105 mm		HIT-4662895-EX	594.07	
	4683745	080001-	Wear Ring		105 mm		HIT-0310510	130.12	
	4683745	080001-	Wear Ring		105 mm		HIT-0907801	18.15	
	4683792	080001-	P-UB-10	70 mm	105 mm		HIT-4662895	273.75	
	4683792	080001-	P-UB-10	70 mm	105 mm		HIT-4662895-EX	594.07	
	4683792	080001-	Wear Ring		105 mm		HIT-0310510	130.12	
	4683792	080001-	Wear Ring		105 mm		HIT-0907801	18.15	
	BUCKET	4646526	080001-	P-UB-10	70 mm	100 mm		HIT-4663496	151.54
		4646526	080001-	P-UB-10	70 mm	100 mm		HIT-4663496-EX	288.75
		4646526	080001-	Wear Ring		100 mm		HIT-0254908	98.62
		4646526	080001-	Wear Ring		100 mm		HIT-1137704	19.14
4683746		080001-	P-UB-10	65 mm	95 mm	Offset Boom	HIT-4662894	131.36	
4683746		080001-	P-UB-10	65 mm	95 mm	Offset Boom	HIT-4662894-EX	247.18	
4683746		080001-	Wear Ring		95 mm	Offset Boom	HIT-0310610	51.37	
4683746		080001-	Wear Ring		95 mm	Offset Boom	HIT-1183502	9.71	
MODEL ZX135US-5									
ARM	9323697	100001-	P-UB-10	80 mm	115 mm		HIT-FYA00012900	292.20	
	9323697	100001-	Bushing	80 mm			HIT-FXB00002113	43.95	
BLADE LH	9187647	100001-	P-UB-10	70 mm	100 mm		HIT-4388027	547.01	
	9187647	100001-	Bushing	70 mm			HIT-0643402	14.40	
BLADE RH	9187648	100001-	P-UB-10	70 mm	100 mm		HIT-4388027	547.01	

Hercules Sealing Products and original equipment Hitachi kits may not include the necessary wear rings for your cylinder rebuild. Kits with an -EX suffix will include these wear rings.

Please ask your sales representative for a cross-reference if no -EX kit or complementary parts are listed.

Replacement Kits For

HITACHI

HITACHI

Excavators								
APPLICATION	CYL #	SERIAL #	CODE	ROD	BORE	Misc	KIT #	List \$
MODEL ZX135US-5								
BLADE RH	9187648	100001-	Bushing	70 mm			HIT-0643402	14.40
BOOM LH	9323700	100001-	P-UB-10	70 mm	105 mm		HIT-FYA00012899	319.38
	9323700	100001-	Bushing	70 mm			HIT-FXB00002262	14.40
BOOM RH	9323699	100001-	P-UB-10	70 mm	105 mm		HIT-FYA00012899	319.38
	9323699	100001-	Bushing	70 mm			HIT-FXB00002262	14.40
BUCKET	9323698	100001-	P-UB-10	70 mm	100 mm		HIT-FYA00012901	371.71
	9323698	100001-	Bushing	70 mm			HIT-FXB00002262	14.40
MODEL ZX135USK-3								
ARM	4678948	080001-	P-UB-10	80 mm	115 mm		HIT-4669905	183.35
	4678948	080001-	P-UB-10	80 mm	115 mm		HIT-4669905-EX	255.28
	4678948	080001-	Wear Ring		115 mm		HIT-1102304	10.57
	4682535	080001-	P-UB-10	80 mm	115 mm	With Hose Rupture Valve	HIT-4669905	183.35
	4682535	080001-	P-UB-10	80 mm	115 mm	With Hose Rupture Valve	HIT-4669905-EX	255.28
	4682535	080001-	Wear Ring		115 mm	With Hose Rupture Valve	HIT-1102304	10.57
	4683743	080001-	Wear Ring		115 mm		HIT-0310908	55.09
	4683743	080001-	Wear Ring		115 mm		HIT-1102304	10.57
	4683811	080001-	Wear Ring		115 mm		HIT-0310908	55.09
	4683811	080001-	Wear Ring		115 mm		HIT-1102304	10.57
BLADE RH	4432509	080001-	P-UB-10	70 mm	100 mm		HIT-4388027	547.01
	4432510	080001-	P-UB-10	70 mm	100 mm		HIT-4388027	547.01
BOOM LH	4647563	080001-	P-UB-10	70 mm	105 mm		HIT-4662895	273.75
	4647563	080001-	P-UB-10	70 mm	105 mm		HIT-4662895-EX	594.07
	4647563	080001-	Wear Ring		105 mm		HIT-0310510	130.12
	4647563	080001-	Wear Ring		105 mm		HIT-0907801	18.15
	4683742	080001-	P-UB-10	70 mm	105 mm		HIT-4662895	273.75
	4683742	080001-	P-UB-10	70 mm	105 mm		HIT-4662895-EX	594.07
	4683742	080001-	Wear Ring		105 mm		HIT-0310510	130.12
	4683742	080001-	Wear Ring		105 mm		HIT-0907801	18.15
	4683744	080001-	P-UB-10	70 mm	105 mm		HIT-4662895	273.75
	4683744	080001-	P-UB-10	70 mm	105 mm		HIT-4662895-EX	594.07
	4683744	080001-	Wear Ring		105 mm		HIT-0310510	130.12
	4683744	080001-	Wear Ring		105 mm		HIT-0907801	18.15
	4683791	080001-	P-UB-10	70 mm	105 mm		HIT-4662895	273.75
	4683791	080001-	P-UB-10	70 mm	105 mm		HIT-4662895-EX	594.07
	4683791	080001-	Wear Ring		105 mm		HIT-0310510	130.12
	4683791	080001-	Wear Ring		105 mm		HIT-0907801	18.15
	4689665	080001-	P-UB-10	70 mm	105 mm		HIT-4662895	273.75
	4689665	080001-	P-UB-10	70 mm	105 mm		HIT-4662895-EX	594.07
	4689665	080001-	Wear Ring		105 mm		HIT-0310510	130.12
	4689665	080001-	Wear Ring		105 mm		HIT-0907801	18.15
BOOM RH	4647564	080001-	P-UB-10	70 mm	105 mm		HIT-4662895	273.75
	4647564	080001-	P-UB-10	70 mm	105 mm		HIT-4662895-EX	594.07
	4647564	080001-	Wear Ring		105 mm		HIT-0310510	130.12
	4647564	080001-	Wear Ring		105 mm		HIT-0907801	18.15
	4683741	080001-	P-UB-10	70 mm	105 mm		HIT-4662895	273.75
	4683741	080001-	P-UB-10	70 mm	105 mm		HIT-4662895-EX	594.07
	4683741	080001-	Wear Ring		105 mm		HIT-0310510	130.12
	4683741	080001-	Wear Ring		105 mm		HIT-0907801	18.15
	4683745	080001-	P-UB-10	70 mm	105 mm		HIT-4662895	273.75
	4683745	080001-	P-UB-10	70 mm	105 mm		HIT-4662895-EX	594.07
	4683745	080001-	Wear Ring		105 mm		HIT-0310510	130.12
	4683745	080001-	Wear Ring		105 mm		HIT-0907801	18.15
	4683792	080001-	P-UB-10	70 mm	105 mm		HIT-4662895	273.75

Hercules Sealing Products and original equipment Hitachi kits may not include the necessary wear rings for your cylinder rebuild.
 Kits with an -EX suffix will include these wear rings.
 Please ask your sales representative for a cross-reference if no -EX kit or complementary parts are listed.

Replacement Kits For

HITACHI

Excavators									
APPLICATION	CYL #	SERIAL #	CODE	ROD	BORE	Misc	KIT #	List \$	
MODEL ZX135USK-3									
BOOM RH	4683792	080001-	P-UB-10	70 mm	105 mm		HIT-4662895-EX	594.07	
	4683792	080001-	Wear Ring		105 mm		HIT-0310510	130.12	
	4683792	080001-	Wear Ring		105 mm		HIT-0907801	18.15	
BUCKET	4646526	080001-	P-UB-10	70 mm	100 mm		HIT-4663496	151.54	
	4646526	080001-	P-UB-10	70 mm	100 mm		HIT-4663496-EX	288.75	
	4646526	080001-	Wear Ring		100 mm		HIT-0254908	98.62	
	4646526	080001-	Wear Ring		100 mm		HIT-1137704	19.14	
	4683746	080001-	P-UB-10	65 mm	95 mm	Offset Boom	HIT-4662894	131.36	
	4683746	080001-	P-UB-10	65 mm	95 mm	Offset Boom	HIT-4662894-EX	247.18	
	4683746	080001-	Wear Ring		95 mm	Offset Boom	HIT-0310610	51.37	
	4683746	080001-	Wear Ring		95 mm	Offset Boom	HIT-1183502	9.71	
MODEL ZX160LC									
ARM	4448533	005001-	P-UB-10	90 mm	120 mm	Mono Boom	HIT-4467380	390.70	
	4448533	005001-	Bushing	90 mm		Mono Boom	HIT-0325904	47.06	
	4448533	005001-	Wear Ring		120 mm	Mono Boom	HIT-0261308	63.96	
	4448533	005001-	Wear Ring		120 mm	Mono Boom	HIT-0667206	10.79	
	4458882	005001-	P-UB-10	90 mm	120 mm	Mono Boom	HIT-4467380	390.70	
	4458882	005001-	Bushing	90 mm		Mono Boom	HIT-0325904	47.06	
	4458882	005001-	Wear Ring		120 mm	Mono Boom	HIT-0261308	63.96	
	4458882	005001-	Wear Ring		120 mm	Mono Boom	HIT-0667206	10.79	
	4474565	005001-	P-UB-10	90 mm	120 mm	2P-Boom	HIT-4467380	390.70	
	4474565	005001-	Bushing	90 mm		2P-Boom	HIT-0325904	47.06	
	4474565	005001-	Wear Ring		120 mm	2P-Boom	HIT-0261308	63.96	
	4474565	005001-	Wear Ring		120 mm	2P-Boom	HIT-0667206	10.79	
	4485923	005001-	P-UB-10	90 mm	120 mm	2P-Boom	HIT-4467380	390.70	
	4485923	005001-	Bushing	90 mm		2P-Boom	HIT-0325904	47.06	
	4485923	005001-	Wear Ring		120 mm	2P-Boom	HIT-0261308	63.96	
	4485923	005001-	Wear Ring		120 mm	2P-Boom	HIT-0667206	10.79	
	BOOM LH	4448532	005001-	P-UB-10	80 mm	110 mm		HIT-4467379	360.70
		4448532	005001-	Bushing	80 mm			HIT-0309304	43.95
		4448532	005001-	Wear Ring		110 mm		HIT-0298907	107.68
		4448532	005001-	Wear Ring		110 mm		HIT-0667008	10.57
4458884		005001-	P-UB-10	80 mm	110 mm	Mono Boom	HIT-4467379	360.70	
4458884		005001-	Bushing	80 mm		Mono Boom	HIT-0309304	43.95	
4458884		005001-	Wear Ring		110 mm	Mono Boom	HIT-0667008	10.57	
4458884		005001-	Wear Ring		110 mm	Mono Boom	HIT-0298907	107.68	
4607550		005001-	P-UB-10	80 mm	110 mm	2P-Boom	HIT-4467379	360.70	
4607550		005001-	Bushing	80 mm		2P-Boom	HIT-0309304	43.95	
4607550		005001-	Wear Ring		110 mm	2P-Boom	HIT-0298907	107.68	
4607550		005001-	Wear Ring		110 mm	2P-Boom	HIT-0667008	10.57	
BOOM RH		4448531	005001-	P-UB-10	80 mm	110 mm		HIT-4467379	360.70
		4448531	005001-	Bushing	80 mm			HIT-0309304	43.95
	4448531	005001-	Wear Ring		110 mm		HIT-0298907	107.68	
	4448531	005001-	Wear Ring		110 mm		HIT-0667008	10.57	
	4458883	005001-	P-UB-10	80 mm	110 mm	Mono Boom	HIT-4467379	360.70	
	4458883	005001-	Bushing	80 mm		Mono Boom	HIT-0309304	43.95	
	4458883	005001-	Wear Ring		110 mm	Mono Boom	HIT-0667008	10.57	
	4458883	005001-	Wear Ring		110 mm	Mono Boom	HIT-0298907	107.68	
	4607549	005001-	P-UB-10	80 mm	110 mm	2P-Boom	HIT-4467379	360.70	
	4607549	005001-	Bushing	80 mm		2P-Boom	HIT-0309304	43.95	
	4607549	005001-	Wear Ring		110 mm	2P-Boom	HIT-0298907	107.68	
	BUCKET	4448534	005001-	P-UB-10	75 mm	105 mm		HIT-4467381	268.94
		4448534	005001-	Bushing	75 mm			HIT-0310504	38.12
		4448534	005001-	Wear Ring		105 mm		HIT-0310510	130.12

Hercules Sealing Products and original equipment Hitachi kits may not include the necessary wear rings for your cylinder rebuild. Kits with an -EX suffix will include these wear rings.

Please ask your sales representative for a cross-reference if no -EX kit or complementary parts are listed.

Replacement Kits For

HITACHI

HITACHI

Excavators								
APPLICATION	CYL #	SERIAL #	CODE	ROD	BORE	Misc	KIT #	List \$
MODEL ZX160LC-3								
ARM	4645315	010001-	P-UB-10	90 mm	120 mm		HIT-4662888	390.70
	4645315	010001-	P-UB-10	90 mm	120 mm		HIT-4662888-EX	465.17
	4645315	010001-	Wear Ring		120 mm		HIT-0261308	63.96
	4645315	010001-	Wear Ring		120 mm		HIT-H227906	10.79
	4653229	010001-	P-UB-10	90 mm	120 mm	2P-Boom	HIT-4662888	390.70
	4653229	010001-	P-UB-10	90 mm	120 mm	2P-Boom	HIT-4662888-EX	465.17
	4653229	010001-	Wear Ring		120 mm	2P-Boom	HIT-0261308	63.96
	4653229	010001-	Wear Ring		120 mm	2P-Boom	HIT-H227906	10.79
	4661832	010001-	P-UB-10	90 mm	120 mm	With Hose Rupture Valve	HIT-4662888	390.70
	4661832	010001-	P-UB-10	90 mm	120 mm	With Hose Rupture Valve	HIT-4662888-EX	465.17
	4661832	010001-	Wear Ring		120 mm	With Hose Rupture Valve	HIT-0261308	63.96
	4661832	010001-	Wear Ring		120 mm	With Hose Rupture Valve	HIT-H227906	10.79
	4663379	010001-	P-UB-10	90 mm	120 mm	2P-Boom w/ Hose Rupture Valve	HIT-4662888	390.70
	4663379	010001-	P-UB-10	90 mm	120 mm	2P-Boom w/ Hose Rupture Valve	HIT-4662888-EX	465.17
	4663379	010001-	Wear Ring		120 mm	2P-Boom w/ Hose Rupture Valve	HIT-0261308	63.96
4663379	010001-	Wear Ring		120 mm	2P-Boom w/ Hose Rupture Valve	HIT-H227906	10.79	
BOOM LH	4645314	010001-		80 mm	110 mm		HIT-4662891	325.64
	4645314	010001-		80 mm	110 mm		HIT-4662891-EX	434.35
	4645314	010001-	Wear Ring		110 mm		HIT-0298907	107.68
	4645314	010001-	Wear Ring		110 mm		HIT-1119106	10.57
	4661831	010001-		80 mm	110 mm		HIT-4662891	325.64
	4661831	010001-		80 mm	110 mm		HIT-4662891-EX	434.35
	4661831	010001-	Wear Ring		110 mm		HIT-0298907	107.68
	4661831	010001-	Wear Ring		110 mm		HIT-1119106	10.57
BOOM RH	4645310	010001-		80 mm	110 mm		HIT-4662891	325.64
	4645310	010001-		80 mm	110 mm		HIT-4662891-EX	434.35
	4645310	010001-	Wear Ring		110 mm		HIT-0298907	107.68
	4645310	010001-	Wear Ring		110 mm		HIT-1119106	10.57
	4661830	010001-		80 mm	110 mm		HIT-4662891	325.64
	4661830	010001-		80 mm	110 mm		HIT-4662891-EX	434.35
	4661830	010001-	Wear Ring		110 mm		HIT-0298907	107.68
	4661830	010001-	Wear Ring		110 mm		HIT-1119106	10.57
BUCKET	4645316	010001-	P-UB-10	75 mm	105 mm		HIT-4663493	268.94
POSITIONING	4659610	010001-	P-UB-10	95 mm	140 mm		HIT-4649053	298.82
	4661833	010001-	P-UB-10	95 mm	140 mm		HIT-4649053	298.82
MODEL ZX160LC-5								
ARM	9257020H	-230046		90 mm	120 mm		HIT-4657449	383.33
	9257020H	-230046		90 mm	120 mm		HIT-4657449-EX	465.17
	9257020H	-230046	Bushing	90 mm			HIT-AT264321	47.06
	9257020H	-230046	Wear Ring		120 mm		HIT-H227906	10.79
	9257020H	-230046	Wear Ring		120 mm		HIT-AT264356	39.20
	9323703	230047-	P-UB-10	90 mm	120 mm		HIT-FYA00012903	562.42
	9323703	230047-	Bushing	90 mm			HIT-FXB00002051	51.59
	BOOM LH	9257019H	-230045		80 mm	110 mm		HIT-4662891
9257019H		-230045		80 mm	110 mm		HIT-4662891-EX	434.35

Hercules Sealing Products and original equipment Hitachi kits may not include the necessary wear rings for your cylinder rebuild. Kits with an -EX suffix will include these wear rings.

Please ask your sales representative for a cross-reference if no -EX kit or complementary parts are listed.

Replacement Kits For

HITACHI

Excavators								
APPLICATION	CYL #	SERIAL #	CODE	ROD	BORE	Misc	KIT #	List \$
MODEL ZX160LC-5								
BOOM LH	9257019H	-230045	Bushing	80 mm			HIT-AT264314	43.95
	9257019H	-230045	Wear Ring		110 mm		HIT-1119106	10.57
	9257019H	-230045	Wear Ring		110 mm		HIT-4S00156	107.68
	9323702	230046-	P-UB-10	80 mm	110 mm		HIT-FYA00012902	430.07
	9323702	230046-	Bushing	80 mm			HIT-FXB00002113	43.95
BOOM RH	9257018H	-230045		80 mm	110 mm		HIT-4662891	325.64
	9257018H	-230045		80 mm	110 mm		HIT-4662891-EX	434.35
	9257018H	-230045	Bushing	80 mm			HIT-AT264314	43.95
	9257018H	-230045	Wear Ring		110 mm		HIT-4S00156	107.68
	9257018H	-230045	Wear Ring		110 mm		HIT-1119106	10.57
	9323701	230046-	P-UB-10	80 mm	110 mm		HIT-FYA00012902	430.07
	9323701	230046-	Bushing	80 mm			HIT-FXB00002113	43.95
	BUCKET	9257021H	-230056	P-UB-10	75 mm	105 mm		HIT-4663493
9257021H		-230056		75 mm	105 mm		HIT-4663493-EX	336.49
9257021H		-230056	Bushing	75 mm			HIT-TH109311	38.12
9257021H		-230056	Wear Ring		105 mm		HIT-0907801	18.15
9257021H		-230056	Wear Ring		105 mm		HIT-AT264388	32.20
9323704		230057-	P-UB-10	75 mm	105 mm		HIT-FYA00012904	409.52
9323704		230057-	Bushing	75 mm			HIT-FXB00002087	38.12
MODEL ZX160LC-6								
ARM	9323703H		P-UB-10	90 mm	120 mm		HIT-FYA00012903	562.42
BOOM (LH)	9323702H		P-UB-10	80 mm	110 mm		HIT-FYA00012902	430.07
BOOM (RH)	9323701H		P-UB-10	80 mm	110 mm		HIT-FYA00012902	430.07
BUCKET	9323704H		P-UB-10	75 mm	105 mm		HIT-FYA00012904	409.52
THUMB	AT383236		I-UB-14	2-1/2	4		HIT-AT383237	676.72
TRACK ADJUSTER	9243238R						HIT-SK100100	85.09
MODEL ZX200, ZX200LC, ZX210, ZX210LC, ZX210LCH, ZX210K, ZX210LCK, ZX210N, ZX240								
ARM	4316930	100001-	P-UB-10	95 mm	130 mm	River Maint	HIT-4364916	424.35
	4316930	100001-	P-UB-10	95 mm	130 mm	River Maint	HIT-4364916-EX	573.48
	4316930	100001-	Bushing	95 mm		River Maint	HIT-0309204	53.01
	4316930	100001-	Wear Ring		130 mm	River Maint	HIT-0254309	67.84
	4316930	100001-	Wear Ring		130 mm	River Maint	HIT-0667409	11.10
	4385638	100001-103568	P-UB-10	95 mm	135 mm	Mono Boom	HIT-4448399	364.46
	4385638	100001-103568	P-UB-10	95 mm	135 mm	Mono Boom	HIT-4448399-EX	517.89
	4385638	100001-103568	Bushing	95 mm		Mono Boom	HIT-0309204	53.01
	4385638	100001-103568	Wear Ring		135 mm	Mono Boom	HIT-0789110	11.10
	4385638	100001-103568	Wear Ring		135 mm	Mono Boom	HIT-0309212	69.11
	4438207	100001-	P-UB-10	95 mm	135 mm	Mono Boom	HIT-4448399	364.46
	4438207	100001-	P-UB-10	95 mm	135 mm	Mono Boom	HIT-4448399-EX	517.89
	4438207	100001-	Bushing	95 mm		Mono Boom	HIT-0309204	53.01
	4438207	100001-	Wear Ring		135 mm	Mono Boom	HIT-0309212	69.11
	4438207	100001-	Wear Ring		135 mm	Mono Boom	HIT-0789110	11.10
	4470801	103569-	P-UB-10	100 mm	135 mm		HIT-4477841	481.32
	4470801	103569-	P-UB-10	100 mm	135 mm		HIT-4477841-EX	634.73
	4470801	103569-	Bushing	100 mm			HIT-0836104	72.65
	4470801	103569-	Wear Ring		135 mm		HIT-0789110	11.10
	4470801	103569-	Wear Ring		135 mm		HIT-0309212	69.11
	4474568	100001-	P-UB-10	95 mm	135 mm	2P-Boom	HIT-4448399	364.46
	4474568	100001-	P-UB-10	95 mm	135 mm	2P-Boom	HIT-4448399-EX	517.89
	4474568	100001-	Bushing	95 mm		2P-Boom	HIT-0309204	53.01
	4474568	100001-	Wear Ring		135 mm	2P-Boom	HIT-0789110	11.10
	4474568	100001-	Wear Ring		135 mm	2P-Boom	HIT-0309212	69.11
	4485921	100001-	P-UB-10	95 mm	135 mm	2P-Boom	HIT-4448399	364.46
	4485921	100001-	P-UB-10	95 mm	135 mm	2P-Boom	HIT-4448399-EX	517.89
	4485921	100001-	Bushing	95 mm		2P-Boom	HIT-0309204	53.01

Hercules Sealing Products and original equipment Hitachi kits may not include the necessary wear rings for your cylinder rebuild. Kits with an -EX suffix will include these wear rings.

Please ask your sales representative for a cross-reference if no -EX kit or complementary parts are listed.

Replacement Kits For

HITACHI

HITACHI

Excavators								
APPLICATION	CYL #	SERIAL #	CODE	ROD	BORE	Misc	KIT #	List \$
MODEL ZX200, ZX200LC, ZX210, ZX210LC, ZX210LCH, ZX210K, ZX210LCK, ZX210N, ZX240								
ARM	4485921	100001-	Wear Ring		135 mm	2P-Boom	HIT-0309212	69.11
	4485921	100001-	Wear Ring		135 mm	2P-Boom	HIT-0789110	11.10
BOOM LH	4410247	100001-	P-UB-10	85 mm	120 mm		HIT-4448398	289.45
	4410247	100001-	P-UB-10	85 mm	120 mm		HIT-4448398-EX	446.71
	4410247	100001-	Bushing	85 mm			HIT-0309004	48.79
	4410247	100001-	Wear Ring		120 mm		HIT-0261308	63.96
	4410247	100001-	Wear Ring		120 mm		HIT-0667206	10.79
	4438208	100001-	P-UB-10	85 mm	120 mm	Mono Boom	HIT-4448398	289.45
	4438208	100001-	P-UB-10	85 mm	120 mm	Mono Boom	HIT-4448398-EX	446.71
	4438208	100001-	Bushing	85 mm		Mono Boom	HIT-0309004	48.79
	4438208	100001-	Wear Ring		120 mm	Mono Boom	HIT-0261308	63.96
	4438208	100001-	Wear Ring		120 mm	Mono Boom	HIT-0667206	10.79
	4607535	100001-	P-UB-10	85 mm	120 mm	2P-Boom	HIT-4448398	289.45
	4607535	100001-	P-UB-10	85 mm	120 mm	2P-Boom	HIT-4448398-EX	446.71
	4607535	100001-	Bushing	85 mm		2P-Boom	HIT-0309004	48.79
	4607535	100001-	Wear Ring		120 mm	2P-Boom	HIT-0667206	10.79
	4607535	100001-	Wear Ring		120 mm	2P-Boom	HIT-0261308	63.96
	BOOM RH	4410244	100001-	P-UB-10	85 mm	120 mm		HIT-4448398
4410244		100001-	P-UB-10	85 mm	120 mm		HIT-4448398-EX	446.71
4410244		100001-	Bushing	85 mm			HIT-0309004	48.79
4410244		100001-	Wear Ring		120 mm		HIT-0667206	10.79
4410244		100001-	Wear Ring		120 mm		HIT-0261308	63.96
4438209		100001-	P-UB-10	85 mm	120 mm	Mono Boom	HIT-4448398	289.45
4438209		100001-	P-UB-10	85 mm	120 mm	Mono Boom	HIT-4448398-EX	446.71
4438209		100001-	Bushing	85 mm		Mono Boom	HIT-0309004	48.79
4438209		100001-	Wear Ring		120 mm	Mono Boom	HIT-0261308	63.96
4438209		100001-	Wear Ring		120 mm	Mono Boom	HIT-0667206	10.79
4607534		100001-	P-UB-10	85 mm	120 mm	2P-Boom	HIT-4448398	289.45
4607534		100001-	P-UB-10	85 mm	120 mm	2P-Boom	HIT-4448398-EX	446.71
4607534		100001-	Bushing	85 mm		2P-Boom	HIT-0309004	48.79
4607534		100001-	Wear Ring		120 mm	2P-Boom	HIT-0261308	63.96
4607534		100001-	Wear Ring		120 mm	2P-Boom	HIT-0667206	10.79
BUCKET		4371061	100001-	P-UB-10	65 mm	95 mm	River Maint	HIT-4364914
	4385637	100001-	P-UB-10	80 mm	115 mm		HIT-4448400	276.14
	4385637	100001-	P-UB-10	80 mm	115 mm		HIT-4448400-EX	480.99
	4385637	100001-	Bushing	80 mm			HIT-0309304	43.95
	4385637	100001-	Wear Ring		115 mm		HIT-0310908	55.09
	4385637	100001-	Wear Ring		115 mm		HIT-0686405	10.57
MODEL ZX200-3								
ARM	4613950	00100001-	P-UB-10	95 mm	135 mm		HIT-4654422	364.46
	4613950	00100001-	P-UB-10	95 mm	135 mm		HIT-4654422-EX	517.89
	4613950	00100001-	Bushing	95 mm			HIT-0309204	53.01
	4613950	00100001-	Wear Ring		135 mm		HIT-0309212	69.11
	4613950	00100001-	Wear Ring		135 mm		HIT-0962104	11.10
BOOM LH	4664872	00100001-	P-UB-10	85 mm	120 mm		HIT-4661485	289.45
	4664872	00100001-	P-UB-10	85 mm	120 mm		HIT-4661485-EX	480.99
	4664872	00100001-	Bushing	85 mm			HIT-0309004	48.79
	4664872	00100001-	Wear Ring		120 mm		HIT-0261308	63.96
BOOM RH	4664872	00100001-	Wear Ring		120 mm		HIT-H227906	10.79
	4664871	00100001-	P-UB-10	85 mm	120 mm		HIT-4661485	289.45
	4664871	00100001-	P-UB-10	85 mm	120 mm		HIT-4661485-EX	480.99
	4664871	00100001-	Bushing	85 mm			HIT-0309004	48.79
	4664871	00100001-	Wear Ring		120 mm		HIT-0261308	63.96
BUCKET	4664871	00100001-	Wear Ring		120 mm		HIT-H227906	10.79
	4629154	00100001-	P-UB-10	80 mm	115 mm		HIT-1102306	167.86

Hercules Sealing Products and original equipment Hitachi kits may not include the necessary wear rings for your cylinder rebuild.
Kits with an -EX suffix will include these wear rings.

Please ask your sales representative for a cross-reference if no -EX kit or complementary parts are listed.

Replacement Kits For

HITACHI

Excavators								
APPLICATION	CYL #	SERIAL #	CODE	ROD	BORE	Misc	KIT #	List \$
MODEL ZX210LC-3								
ARM	4613950	00100001-	P-UB-10	95 mm	135 mm		HIT-4654422	364.46
	4613950	00100001-	P-UB-10	95 mm	135 mm		HIT-4654422-EX	517.89
	4613950	00100001-	Bushing	95 mm			HIT-0309204	53.01
	4613950	00100001-	Wear Ring		135 mm		HIT-0962104	11.10
	4613950	00100001-	Wear Ring		135 mm		HIT-0309212	69.11
BOOM LH	4664872	00100001-	P-UB-10	85 mm	120 mm		HIT-4661485	289.45
	4664872	00100001-	P-UB-10	85 mm	120 mm		HIT-4661485-EX	480.99
	4664872	00100001-	Bushing	85 mm			HIT-0309004	48.79
	4664872	00100001-	Wear Ring		120 mm		HIT-0261308	63.96
	4664872	00100001-	Wear Ring		120 mm		HIT-H227906	10.79
BOOM RH	4664871	00100001-	P-UB-10	85 mm	120 mm		HIT-4661485	289.45
	4664871	00100001-	P-UB-10	85 mm	120 mm		HIT-4661485-EX	480.99
	4664871	00100001-	Bushing	85 mm			HIT-0309004	48.79
	4664871	00100001-	Wear Ring		120 mm		HIT-0261308	63.96
	4664871	00100001-	Wear Ring		120 mm		HIT-H227906	10.79
BUCKET	4629154	00100001-	P-UB-10	80 mm	115 mm		HIT-1102306	167.86
MODEL ZX210LC-5								
ARM	9234748H		P-UB-10	95 mm	135 mm		HIT-AH225135	562.50
	9234748H		Bushing	95 mm			HIT-T108050	53.01
BOOM LH	9286529H		P-UB-10	85 mm	120 mm		HIT-AH225136	325.29
	9286529H		Bushing	85 mm			HIT-T108019	48.79
BOOM RH	9286528H		P-UB-10	85 mm	120 mm		HIT-AH225136	325.29
	9286528H		Bushing	85 mm			HIT-T108019	48.79
BUCKET	9248307H		P-UB-10	80 mm	115 mm		HIT-AH225137	167.86
	9248307H		Bushing	80 mm			HIT-T108041	43.95
MODEL ZX210LC-6								
ARM	9234748H		P-UB-10	95 mm	135 mm		HIT-AH225135	562.50
BOOM (LH)	9286529G		P-UB-10	85 mm	120 mm		HIT-AH225136	325.29
BOOM (RH)	9286528G		P-UB-10	85 mm	120 mm		HIT-AH225136	325.29
BUCKET	9248307G		P-UB-10	80 mm	115 mm		HIT-AH225137	167.86
THUMB	AT383236		I-UB-14	2-1/2	4		HIT-AT383237	676.72
TRACK ADJUSTER	9243238R						HIT-SK100100	85.09
MODEL ZX225US-3								
ARM	4613950	200001-	P-UB-10	95 mm	135 mm		HIT-4654422	364.46
	4613950	200001-	P-UB-10	95 mm	135 mm		HIT-4654422-EX	517.89
	4613950	200001-	Wear Ring		135 mm		HIT-0962104	11.10
	4613950	200001-	Wear Ring		135 mm		HIT-0309212	69.11
	4646744	200001-	P-UB-10	95 mm	135 mm		HIT-4654422	364.46
	4646744	200001-	P-UB-10	95 mm	135 mm		HIT-4654422-EX	517.89
	4646744	200001-	Wear Ring		135 mm		HIT-0309212	69.11
	4646744	200001-	Wear Ring		135 mm		HIT-0962104	11.10
BOOM LH	4632437	200001-	P-UB-10	85 mm	120 mm		HIT-4654421	325.29
	4648672	200001-	P-UB-10	85 mm	120 mm	With Hose Rupture Valve	HIT-4654421	325.29
	4654085	200001-	P-UB-10	85 mm	120 mm	With Hose Rupture Valve (ML)	HIT-4654421	325.29
BOOM RH	4632512	200001-	P-UB-10	85 mm	120 mm		HIT-4654421	325.29
	4648656	200001-	P-UB-10	85 mm	120 mm	With Hose Rupture Valve	HIT-4654421	325.29
BUCKET	4629154	200001-	P-UB-10	80 mm	115 mm		HIT-1102306	167.86
MODEL ZX225USLC-3								
ARM	4613950	200001-	P-UB-10	95 mm	135 mm		HIT-4654422	364.46
	4613950	200001-	P-UB-10	95 mm	135 mm		HIT-4654422-EX	517.89
	4613950	200001-	Wear Ring		135 mm		HIT-0962104	11.10
	4613950	200001-	Wear Ring		135 mm		HIT-0309212	69.11

Hercules Sealing Products and original equipment Hitachi kits may not include the necessary wear rings for your cylinder rebuild. Kits with an -EX suffix will include these wear rings.

Please ask your sales representative for a cross-reference if no -EX kit or complementary parts are listed.

HITACHI

Replacement Kits For

HITACHI

HITACHI

Excavators									
APPLICATION	CYL #	SERIAL #	CODE	ROD	BORE	Misc	KIT #	List \$	
MODEL ZX225USLC-3									
ARM	4646744	200001-	P-UB-10	95 mm	135 mm		HIT-4654422	364.46	
	4646744	200001-	P-UB-10	95 mm	135 mm		HIT-4654422-EX	517.89	
	4646744	200001-	Wear Ring		135 mm		HIT-0962104	11.10	
	4646744	200001-	Wear Ring		135 mm		HIT-0309212	69.11	
BOOM LH	4632437	200001-	P-UB-10	85 mm	120 mm		HIT-4654421	325.29	
	4648672	200001-	P-UB-10	85 mm	120 mm	With Hose Rupture Valve	HIT-4654421	325.29	
	4654085	200001-	P-UB-10	85 mm	120 mm	With Hose Rupture Valve (ML)	HIT-4654421	325.29	
BOOM RH	4632512	200001-	P-UB-10	85 mm	120 mm		HIT-4654421	325.29	
	4648656	200001-	P-UB-10	85 mm	120 mm	With Hose Rupture Valve	HIT-4654421	325.29	
BUCKET	4629154	200001-	P-UB-10	80 mm	115 mm		HIT-1102306	167.86	
MODEL ZX225USLC-5									
ARM	9169805	100001-	P-UB-10	95 mm	135 mm		HIT-AH225135	562.50	
BOOM LH	9196649	100001-	P-UB-10	85 mm	120 mm		HIT-AH225136	325.29	
BOOM RH	9196650	100001-	P-UB-10	85 mm	120 mm		HIT-AH225136	325.29	
BUCKET	9169806	100001-	P-UB-10	80 mm	115 mm		HIT-AH173451	281.01	
MODEL ZX230, ZX230LC									
ARM	4613898	D04/05-	P-UB-10	105 mm	140 mm	Mono Boom	HIT-4631062	372.82	
	4613898	D04/05-	P-UB-10	105 mm	140 mm	Mono Boom	HIT-4631062-EX	570.90	
	4613898	D04/05-	Bushing	105 mm		Mono Boom	HIT-0373405	62.48	
	4613898	D04/05-	Wear Ring		140 mm	Mono Boom	HIT-0937408	28.91	
	4613898	D04/05-	Wear Ring		140 mm	Mono Boom	HIT-0224108	69.98	
	4630579	D04/08-	P-UB-10	105 mm	140 mm	2P-Boom	HIT-4631062	372.82	
	4630579	D04/08-	P-UB-10	105 mm	140 mm	2P-Boom	HIT-4631062-EX	570.90	
	4630579	D04/08-	Bushing	105 mm		2P-Boom	HIT-0373405	62.48	
	4630579	D04/08-	Wear Ring		140 mm	2P-Boom	HIT-0960302	28.91	
	4630579	D04/08-	Wear Ring		140 mm	2P-Boom	HIT-0224108	69.98	
	9187392	010001-D04/04	P-UB-14	105 mm	140 mm	Mono Boom	HIT-4485613	255.31	
	9187392	010001-D04/04	P-UB-14	105 mm	140 mm	Mono Boom	HIT-4485613-EX	439.90	
	9187392	010001-D04/04	Bushing	105 mm		Mono Boom	HIT-4432450	62.48	
	9187392	010001-D04/04	Wear Ring		140 mm	Mono Boom	HIT-4414671	30.46	
	9187392	010001-D04/04	Wear Ring		140 mm	Mono Boom	HIT-4168233	83.64	
	9232344	010001-D04/07	P-UB-14	105 mm	140 mm	2P-Boom	HIT-9207059	255.31	
	9232344	010001-D04/07	P-UB-14	105 mm	140 mm	2P-Boom	HIT-9207059-EX	439.90	
	9232344	010001-D04/07	Bushing	105 mm		2P-Boom	HIT-4432450	62.48	
	9232344	010001-D04/07	Wear Ring		140 mm	2P-Boom	HIT-4168233	83.64	
	9232344	010001-D04/07	Wear Ring		140 mm	2P-Boom	HIT-4414671	30.46	
	BOOM LH	4613893	D03/08-	P-UB-10	90 mm	125 mm		HIT-4624394	309.81
		4613893	D03/08-	P-UB-10	90 mm	125 mm		HIT-4624394-EX	484.07
		4613893	D03/08-	Bushing	90 mm			HIT-0325904	47.06
		4613893	D03/08-	Wear Ring		125 mm		HIT-0926604	22.43
4613893		D03/08-	Wear Ring		125 mm		HIT-0223713	66.65	
9187391		010001-D03/07	P-UB-14	90 mm	125 mm		HIT-4485612	178.30	
9187391		010001-D03/07	P-UB-14	90 mm	125 mm		HIT-4485612-EX	452.96	
9187391		010001-D03/07	Bushing	90 mm			HIT-4272961	47.06	
9187391		010001-D03/07	Wear Ring		125 mm		HIT-4253562	23.89	
9187391		010001-D03/07	Piston Ring		125 mm		HIT-4431271	40.38	
BOOM RH	4613892	D03/08-	P-UB-10	90 mm	125 mm		HIT-4624394	309.81	
	4613892	D03/08-	P-UB-10	90 mm	125 mm		HIT-4624394-EX	484.07	
	4613892	D03/08-	Bushing	90 mm			HIT-0325904	47.06	
	4613892	D03/08-	Wear Ring		125 mm		HIT-0223713	66.65	
	4613892	D03/08-	Wear Ring		125 mm		HIT-0926604	22.43	
	9187390	010001-D03/07	P-UB-14	90 mm	125 mm		HIT-4485612	178.30	

Hercules Sealing Products and original equipment Hitachi kits may not include the necessary wear rings for your cylinder rebuild.
 Kits with an -EX suffix will include these wear rings.
 Please ask your sales representative for a cross-reference if no -EX kit or complementary parts are listed.

Replacement Kits For

HITACHI

Excavators									
APPLICATION	CYL #	SERIAL #	CODE	ROD	BORE	Misc	KIT #	List \$	
MODEL ZX230, ZX230LC									
BOOM RH	9187390	010001-D03/07	P-UB-14	90 mm	125 mm		HIT-4485612-EX	452.96	
	9187390	010001-D03/07	Bushing	90 mm			HIT-4272961	47.06	
	9187390	010001-D03/07	Wear Ring		125 mm		HIT-4253562	23.89	
	9187390	010001-D03/07	Piston Ring		125 mm		HIT-4431271	40.38	
BUCKET	4613899	D03/11-	P-UB-10	90 mm	130 mm		HIT-4627361	130.32	
	4613899	D03/11-	P-UB-10	90 mm	130 mm		HIT-4627361-EX	283.32	
	4613899	D03/11-	Bushing	90 mm			HIT-0325904	47.06	
	4613899	D03/11-	Wear Ring		130 mm		HIT-0254309	67.84	
	4613899	D03/11-	Wear Ring		130 mm		HIT-0932805	26.36	
	9187393	010001-D03/10	P-UB-14	90 mm	130 mm		HIT-4485614	200.89	
	9187393	010001-D03/10	P-UB-14	90 mm	130 mm		HIT-4485614-EX	414.94	
	9187393	010001-D03/10	Bushing	90 mm			HIT-4272961	47.06	
	9187393	010001-D03/10	Wear Ring		130 mm		HIT-4431329	42.40	
	9187393	010001-D03/10	Piston Ring		130 mm		HIT-4431272	82.70	
	MODEL ZX240-3, ZX240LC-3								
	ARM	4618364	020001-	P-UB-10	100 mm	140 mm		HIT-4649050	413.91
4618364		020001-	P-UB-10	100 mm	140 mm		HIT-4649050-EX	575.05	
4618364		020001-	Bushing	100 mm			HIT-0836104	72.65	
4618364		020001-	Wear Ring		140 mm		HIT-0960302	28.91	
4618364		020001-	Wear Ring		140 mm		HIT-0224108	69.98	
BOOM LH	4628627	020001-	P-UB-10	90 mm	125 mm		HIT-4650419	309.81	
	4628627	020001-	P-UB-10	90 mm	125 mm		HIT-4650419-EX	484.07	
	4628627	020001-	Bushing	90 mm			HIT-0325904	47.06	
	4628627	020001-	Wear Ring		125 mm		HIT-0926604	22.43	
BOOM RH	4628627	020001-	Wear Ring		125 mm		HIT-0223713	66.65	
	4628626	020001-	P-UB-10	90 mm	125 mm		HIT-4650419	309.81	
	4628626	020001-	P-UB-10	90 mm	125 mm		HIT-4650419-EX	484.07	
	4628626	020001-	Bushing	90 mm			HIT-0325904	47.06	
BUCKET	4628626	020001-	Wear Ring		125 mm		HIT-0926604	22.43	
	4628626	020001-	Wear Ring		125 mm		HIT-0223713	66.65	
	4628634	020001-	P-UB-10	90 mm	130 mm		HIT-4650433	257.83	
	4628634	020001-	P-UB-10	90 mm	130 mm		HIT-4650433-EX	410.83	
BUCKET	4628634	020001-	Bushing	90 mm			HIT-0325904	47.06	
	4628634	020001-	Wear Ring		130 mm		HIT-0254309	67.84	
	4628634	020001-	Wear Ring		130 mm		HIT-0974906	26.36	
	MODEL ZX240H, ZX240LCH, ZX240K, ZX240LCK								
ARM	4613898	D04/05-	P-UB-10	105 mm	140 mm	Mono Boom	HIT-4631062	372.82	
	4613898	D04/05-	P-UB-10	105 mm	140 mm	Mono Boom	HIT-4631062-EX	570.90	
	4613898	D04/05-	Bushing	105 mm		Mono Boom	HIT-0373405	62.48	
	4613898	D04/05-	Wear Ring		140 mm	Mono Boom	HIT-0937408	28.91	
	4613898	D04/05-	Wear Ring		140 mm	Mono Boom	HIT-0224108	69.98	
	4630579	D04/08-	P-UB-10	105 mm	140 mm	2P-Boom	HIT-4631062	372.82	
	4630579	D04/08-	P-UB-10	105 mm	140 mm	2P-Boom	HIT-4631062-EX	570.90	
	4630579	D04/08-	Bushing	105 mm		2P-Boom	HIT-0373405	62.48	
	4630579	D04/08-	Wear Ring		140 mm	2P-Boom	HIT-0224108	69.98	
	4630579	D04/08-	Wear Ring		140 mm	2P-Boom	HIT-0960302	28.91	
	9187392	010001-D04/04	P-UB-14	105 mm	140 mm	Mono Boom	HIT-4485613	255.31	
	9187392	010001-D04/04	P-UB-14	105 mm	140 mm	Mono Boom	HIT-4485613-EX	439.90	
	9187392	010001-D04/04	Bushing	105 mm		Mono Boom	HIT-4432450	62.48	
	9187392	010001-D04/04	Wear Ring		140 mm	Mono Boom	HIT-4414671	30.46	
	9187392	010001-D04/04	Wear Ring		140 mm	Mono Boom	HIT-4168233	83.64	
	9232344	010001-D04/07	P-UB-14	105 mm	140 mm	2P-Boom	HIT-9207059	255.31	
	9232344	010001-D04/07	P-UB-14	105 mm	140 mm	2P-Boom	HIT-9207059-EX	439.90	
	9232344	010001-D04/07	Bushing	105 mm		2P-Boom	HIT-4432450	62.48	
	9232344	010001-D04/07	Wear Ring		140 mm	2P-Boom	HIT-4414671	30.46	

Hercules Sealing Products and original equipment Hitachi kits may not include the necessary wear rings for your cylinder rebuild.
Kits with an -EX suffix will include these wear rings.

Please ask your sales representative for a cross-reference if no -EX kit or complementary parts are listed.

Replacement Kits For

HITACHI

HITACHI

Excavators									
APPLICATION	CYL #	SERIAL #	CODE	ROD	BORE	Misc	KIT #	List \$	
MODEL ZX240H, ZX240LCH, ZX240K, ZX240LCK									
ARM	9232344	010001-D04/07	Wear Ring		140 mm	2P-Boom	HIT-4168233	83.64	
BOOM LH	4613893	D03/08-	P-UB-10	90 mm	125 mm		HIT-4624394	309.81	
	4613893	D03/08-	P-UB-10	90 mm	125 mm		HIT-4624394-EX	484.07	
	4613893	D03/08-	Bushing	90 mm			HIT-0325904	47.06	
	4613893	D03/08-	Wear Ring		125 mm		HIT-0926604	22.43	
	4613893	D03/08-	Wear Ring		125 mm		HIT-0223713	66.65	
	9187391	010001-D03/07	P-UB-14	90 mm	125 mm		HIT-4485612	178.30	
	9187391	010001-D03/07	P-UB-14	90 mm	125 mm		HIT-4485612-EX	452.96	
	9187391	010001-D03/07	Bushing	90 mm			HIT-4272961	47.06	
	9187391	010001-D03/07	Wear Ring		125 mm		HIT-4253562	23.89	
	9187391	010001-D03/07	Piston Ring		125 mm		HIT-4431271	40.38	
BOOM RH	4613892	D03/08-	P-UB-10	90 mm	125 mm		HIT-4624394	309.81	
	4613892	D03/08-	P-UB-10	90 mm	125 mm		HIT-4624394-EX	484.07	
	4613892	D03/08-	Bushing	90 mm			HIT-0325904	47.06	
	4613892	D03/08-	Wear Ring		125 mm		HIT-0223713	66.65	
	4613892	D03/08-	Wear Ring		125 mm		HIT-0926604	22.43	
	9187390	010001-D03/07	P-UB-14	90 mm	125 mm		HIT-4485612	178.30	
	9187390	010001-D03/07	P-UB-14	90 mm	125 mm		HIT-4485612-EX	452.96	
	9187390	010001-D03/07	Bushing	90 mm			HIT-4272961	47.06	
	9187390	010001-D03/07	Wear Ring		125 mm		HIT-4253562	23.89	
	9187390	010001-D03/07	Piston Ring		125 mm		HIT-4431271	40.38	
BUCKET	4613899	D03/11-	P-UB-10	90 mm	130 mm		HIT-4627361	130.32	
	4613899	D03/11-	P-UB-10	90 mm	130 mm		HIT-4627361-EX	283.32	
	4613899	D03/11-	Bushing	90 mm			HIT-0325904	47.06	
	4613899	D03/11-	Wear Ring		130 mm		HIT-0254309	67.84	
	4613899	D03/11-	Wear Ring		130 mm		HIT-0932805	26.36	
	9187393	010001-D03/10	P-UB-14	90 mm	130 mm		HIT-4485614	200.89	
	9187393	010001-D03/10	P-UB-14	90 mm	130 mm		HIT-4485614-EX	414.94	
	9187393	010001-D03/10	Bushing	90 mm			HIT-4272961	47.06	
	9187393	010001-D03/10	Wear Ring		130 mm		HIT-4431329	42.40	
	9187393	010001-D03/10	Piston Ring		130 mm		HIT-4431272	82.70	
MODEL ZX250, ZX250LC, ZX250LCN									
ARM	4613898	D04/05-	P-UB-10	105 mm	140 mm	Mono Boom	HIT-4631062	372.82	
	4613898	D04/05-	P-UB-10	105 mm	140 mm	Mono Boom	HIT-4631062-EX	570.90	
	4613898	D04/05-	Bushing	105 mm		Mono Boom	HIT-0373405	62.48	
	4613898	D04/05-	Wear Ring		140 mm	Mono Boom	HIT-0224108	69.98	
	4613898	D04/05-	Wear Ring		140 mm	Mono Boom	HIT-0937408	28.91	
	4630579	D04/08-	P-UB-10	105 mm	140 mm	2P-Boom	HIT-4631062	372.82	
	4630579	D04/08-	P-UB-10	105 mm	140 mm	2P-Boom	HIT-4631062-EX	570.90	
	4630579	D04/08-	Bushing	105 mm		2P-Boom	HIT-0373405	62.48	
	4630579	D04/08-	Wear Ring		140 mm	2P-Boom	HIT-0960302	28.91	
	4630579	D04/08-	Wear Ring		140 mm	2P-Boom	HIT-0224108	69.98	
	9187390	010001-D03/07	P-UB-14	90 mm	125 mm		HIT-4485612	178.30	
	9187390	010001-D03/07	P-UB-14	90 mm	125 mm		HIT-4485612-EX	452.96	
	9187390	010001-D03/07	Bushing	90 mm			HIT-4272961	47.06	
	9187390	010001-D03/07	Wear Ring		125 mm		HIT-4253562	23.89	
	9187390	010001-D03/07	Piston Ring		125 mm		HIT-4431271	40.38	
	9187392	010001-D04/04	P-UB-14	105 mm	140 mm	Mono Boom	HIT-4485613	255.31	
	9187392	010001-D04/04	P-UB-14	105 mm	140 mm	Mono Boom	HIT-4485613-EX	439.90	
	9187392	010001-D04/04	Bushing	105 mm		Mono Boom	HIT-4432450	62.48	
	9187392	010001-D04/04	Wear Ring		140 mm	Mono Boom	HIT-414671	30.46	
	9187392	010001-D04/04	Wear Ring		140 mm	Mono Boom	HIT-4168233	83.64	
	9232344	010001-D04/07	P-UB-14	105 mm	140 mm	2P-Boom	HIT-9207059	255.31	
	9232344	010001-D04/07	P-UB-14	105 mm	140 mm	2P-Boom	HIT-9207059-EX	439.90	
	9232344	010001-D04/07	Bushing	105 mm		2P-Boom	HIT-4432450	62.48	

Hercules Sealing Products and original equipment Hitachi kits may not include the necessary wear rings for your cylinder rebuild.
Kits with an -EX suffix will include these wear rings.

Please ask your sales representative for a cross-reference if no -EX kit or complementary parts are listed.

Replacement Kits For

HITACHI

Excavators								
APPLICATION	CYL #	SERIAL #	CODE	ROD	BORE	Misc	KIT #	List \$
MODEL ZX250, ZX250LC, ZX250LCN								
ARM	9232344	010001-D04/07	Wear Ring		140 mm	2P-Boom	HIT-4414671	30.46
	9232344	010001-D04/07	Wear Ring		140 mm	2P-Boom	HIT-4168233	83.64
BOOM LH	4613893	D03/08-	P-UB-10	90 mm	125 mm		HIT-4624394	309.81
	4613893	D03/08-	P-UB-10	90 mm	125 mm		HIT-4624394-EX	484.07
	4613893	D03/08-	Bushing	90 mm			HIT-0325904	47.06
	4613893	D03/08-	Wear Ring		125 mm		HIT-0223713	66.65
	4613893	D03/08-	Wear Ring		125 mm		HIT-0926604	22.43
	9187391	010001-D03/07	P-UB-14	90 mm	125 mm		HIT-4485612	178.30
	9187391	010001-D03/07	P-UB-14	90 mm	125 mm		HIT-4485612-EX	452.96
	9187391	010001-D03/07	Bushing	90 mm			HIT-4272961	47.06
	9187391	010001-D03/07	Wear Ring		125 mm		HIT-4253562	23.89
	9187391	010001-D03/07	Piston Ring		125 mm		HIT-4431271	40.38
BOOM RH	4613892	D03/08-	P-UB-10	90 mm	125 mm		HIT-4624394	309.81
	4613892	D03/08-	P-UB-10	90 mm	125 mm		HIT-4624394-EX	484.07
	4613892	D03/08-	Bushing	90 mm			HIT-0325904	47.06
	4613892	D03/08-	Wear Ring		125 mm		HIT-0223713	66.65
	4613892	D03/08-	Wear Ring		125 mm		HIT-0926604	22.43
BUCKET	4613899	D03/11-	P-UB-10	90 mm	130 mm		HIT-4627361	130.32
	4613899	D03/11-	P-UB-10	90 mm	130 mm		HIT-4627361-EX	283.32
	4613899	D03/11-	Bushing	90 mm			HIT-0325904	47.06
	4613899	D03/11-	Wear Ring		130 mm		HIT-0254309	67.84
	4613899	D03/11-	Wear Ring		130 mm		HIT-0932805	26.36
	9187393	010001-D03/10	P-UB-14	90 mm	130 mm		HIT-4485614	200.89
	9187393	010001-D03/10	P-UB-14	90 mm	130 mm		HIT-4485614-EX	414.94
	9187393	010001-D03/10	Bushing	90 mm			HIT-4272961	47.06
	9187393	010001-D03/10	Wear Ring		130 mm		HIT-4431329	42.40
	9187393	010001-D03/10	Piston Ring		130 mm		HIT-4431272	82.70
MODEL ZX250LC-3, ZX250LCN-3, ZX250H-3, ZX250LCH-3, ZX250K-3, ZX250LCK								
BUCKET	4628634	020001-	P-UB-10	90 mm	130 mm		HIT-4650433	257.83
	4628634	020001-	P-UB-10	90 mm	130 mm		HIT-4650433-EX	410.83
	4628634	020001-	Bushing	90 mm			HIT-0325904	47.06
	4628634	020001-	Wear Ring		130 mm		HIT-0974906	26.36
	4628634	020001-	Wear Ring		130 mm		HIT-0254309	67.84
MODEL ZX250LC-3, ZX250LCN-3, ZX250H-3, ZX250LCH-3, ZX250K-3, ZX250LCK-3								
ARM	4618364	020001-	P-UB-10	100 mm	140 mm		HIT-4649050	413.91
	4618364	020001-	P-UB-10	100 mm	140 mm		HIT-4649050-EX	575.05
	4618364	020001-	Bushing	100 mm			HIT-0836104	72.65
	4618364	020001-	Wear Ring		140 mm		HIT-0224108	69.98
	4618364	020001-	Wear Ring		140 mm		HIT-0960302	28.91
BOOM LH	4628627	020001-	P-UB-10	90 mm	125 mm		HIT-4650419	309.81
	4628627	020001-	P-UB-10	90 mm	125 mm		HIT-4650419-EX	484.07
	4628627	020001-	Bushing	90 mm			HIT-0325904	47.06
	4628627	020001-	Wear Ring		125 mm		HIT-0223713	66.65
	4628627	020001-	Wear Ring		125 mm		HIT-0926604	22.43
BOOM RH	4628626	020001-	P-UB-10	90 mm	125 mm		HIT-4650419	309.81
	4628626	020001-	P-UB-10	90 mm	125 mm		HIT-4650419-EX	484.07
	4628626	020001-	Bushing	90 mm			HIT-0325904	47.06
	4628626	020001-	Wear Ring		125 mm		HIT-0223713	66.65
	4628626	020001-	Wear Ring		125 mm		HIT-0926604	22.43
MODEL ZX270, ZX270LC, ZX280LC, ZX280LCN								
ARM	4628581	D04/08-, D05/01-	P-UB-10	100 mm	145 mm	Mono Boom	HIT-4639938	391.15
	4628581	D04/08-, D05/01-	Bushing	100 mm		Mono Boom	HIT-0836104	72.65
	4628581	D04/08-, D05/01-	Wear Ring		145 mm	Mono Boom	HIT-0373413	110.09
	4628581	D04/08-, D05/01-	Wear Ring		145 mm	Mono Boom	HIT-0962008	28.91

Hercules Sealing Products and original equipment Hitachi kits may not include the necessary wear rings for your cylinder rebuild.
Kits with an -EX suffix will include these wear rings.

Please ask your sales representative for a cross-reference if no -EX kit or complementary parts are listed.

Replacement Kits For

HITACHI

HITACHI

Excavators								
APPLICATION	CYL #	SERIAL #	CODE	ROD	BORE	Misc	KIT #	List \$
MODEL ZX270, ZX270LC, ZX280LC, ZX280LCN								
ARM	9186598	020001-D04/07, 020001-D04/12	P-UB-14	100 mm	145 mm	Mono Boom	HIT-9180579	335.55
	9186598	020001-D04/07, 020001-D04/12	P-UB-14	100 mm	145 mm	Mono Boom	HIT-9180579-EX	527.81
	9186598	020001-D04/07, 020001-D04/12	Bushing	100 mm		Mono Boom	HIT-4272963	73.24
	9186598	020001-D04/07, 020001-D04/12	Wear Ring		145 mm	Mono Boom	HIT-4194621	30.62
	9186598	020001-D04/07, 020001-D04/12	Wear Ring		145 mm	Mono Boom	HIT-4185247	88.57
	9232345	020001-D04/07, 020001-D04/12	P-UB-14	100 mm	145 mm	2P-Boom	HIT-9180579	335.55
	9232345	020001-D04/07, 020001-D04/12	P-UB-14	100 mm	145 mm	2P-Boom	HIT-9180579-EX	527.81
	9232345	020001-D04/07, 020001-D04/12	Bushing	100 mm		2P-Boom	HIT-4272963	73.24
	9232345	020001-D04/07, 020001-D04/12	Wear Ring		145 mm	2P-Boom	HIT-4194621	30.62
	9232345	020001-D04/07, 020001-D04/12	Wear Ring		145 mm	2P-Boom	HIT-4185247	88.57
BOOM LH	4628583	D04/08-, D05/01-	P-UB-10	95 mm	135 mm		HIT-4639936	405.61
	4628583	D04/08-, D05/01-	P-UB-10	95 mm	135 mm		HIT-4639936-EX	559.02
	4628583	D04/08-, D05/01-	Wear Ring		135 mm		HIT-0962104	11.10
	9186597	020001-D04/07, 020001-D04/12	P-UB-14	95 mm	135 mm		HIT-4485615	238.60
	9186597	020001-D04/07, 020001-D04/12	P-UB-14	95 mm	135 mm		HIT-4485615-EX	423.94
	9186597	020001-D04/07, 020001-D04/12	Bushing	95 mm			HIT-4272962	53.01
	9186597	020001-D04/07, 020001-D04/12	Wear Ring		135 mm		HIT-4252191	32.87
	9186597	020001-D04/07, 020001-D04/12	Wear Ring		135 mm		HIT-4185246	80.96
	9186598	D04/08-, D05/01-	P-UB-10	95 mm	135 mm		HIT-4639936	405.61
	9186598	D04/08-, D05/01-	P-UB-10	95 mm	135 mm		HIT-4639936-EX	559.02
BOOM RH	4628582	D04/08-, D05/01-	P-UB-10	95 mm	135 mm		HIT-4639936	405.61
	4628582	D04/08-, D05/01-	P-UB-10	95 mm	135 mm		HIT-4639936-EX	559.02
	4628582	D04/08-, D05/01-	Bushing	95 mm			HIT-0309204	53.01
	4628582	D04/08-, D05/01-	Wear Ring		135 mm		HIT-0309212	69.11
	4628582	D04/08-, D05/01-	Wear Ring		135 mm		HIT-0962104	11.10
	9186596	020001-D04/07, 020001-D04/12	P-UB-14	95 mm	135 mm		HIT-4485615	238.60
	9186596	020001-D04/07, 020001-D04/12	P-UB-14	95 mm	135 mm		HIT-4485615-EX	423.94
	9186596	020001-D04/07, 020001-D04/12	Bushing	95 mm			HIT-4272962	53.01
	9186596	020001-D04/07, 020001-D04/12	Wear Ring		135 mm		HIT-4185246	80.96
	9186596	020001-D04/07, 020001-D04/12	Wear Ring		135 mm		HIT-4252191	32.87
BUCKET	4628580	D04/08-, D05/01-	P-UB-10	90 mm	135 mm		HIT-4639939	467.50
	4628580	D04/08-, D05/01-	P-UB-10	90 mm	135 mm		HIT-4639939-EX	524.55
	4628580	D04/08-, D05/01-	Bushing	90 mm			HIT-0325904	47.06
	4628580	D04/08-, D05/01-	Wear Ring		135 mm		HIT-0962104	11.10
	4628580	D04/08-, D05/01-	Wear Ring		135 mm		HIT-0309212	69.11
	9186599	020001-D04/07, 020001-D04/12	P-UB-14	90 mm	135 mm		HIT-9180580	269.88
	9186599	020001-D04/07, 020001-D04/12	P-UB-14	90 mm	135 mm		HIT-9180580-EX	455.17

Hercules Sealing Products and original equipment Hitachi kits may not include the necessary wear rings for your cylinder rebuild. Kits with an -EX suffix will include these wear rings.

Please ask your sales representative for a cross-reference if no -EX kit or complementary parts are listed.

Replacement Kits For

HITACHI

Excavators									
APPLICATION	CYL #	SERIAL #	CODE	ROD	BORE	Misc	KIT #	List \$	
MODEL ZX270, ZX270LC, ZX280LC, ZX280LCN									
BUCKET	9186599	020001-D04/07, 020001-D04/12	Bushing	90 mm			HIT-4272961	47.06	
	9186599	020001-D04/07, 020001-D04/12	Wear Ring		135 mm		HIT-4252191	32.87	
	9186599	020001-D04/07, 020001-D04/12	Wear Ring		135 mm		HIT-4185246	80.96	
MODEL ZX270-3									
ARM	4628630	00100001-	P-UB-14	105 mm	150 mm		HIT-4649752	373.87	
BOOM LH	4628631	00100001-	P-UB-14	95 mm	135 mm		HIT-4649745	267.13	
BOOM RH	4628632	00100001-	P-UB-14	95 mm	135 mm		HIT-4649745	267.13	
BUCKET	4628628	00100001-	P-UB-14	90 mm	135 mm		HIT-4649751	272.55	
MODEL ZX330, ZX330LC, ZX350LC, ZX350LCH, ZX350H, ZX350K, ZX350LCK, ZX370, ZX370MTH									
ARM	4611472	D04/08-	P-UB-14	115 mm	170 mm	Mono Boom	HIT-4640118	643.80	
	4611472	D04/08-	Piston Ring		170 mm	Mono Boom	HIT-0961424	75.41	
	9186602	030001-D04/07	P-UB-14	115 mm	170 mm	Mono Boom	HIT-9180582	401.13	
	9186602	030001-D04/07	P-UB-14	115 mm	170 mm	Mono Boom	HIT-9180582-EX	688.87	
	9186602	030001-D04/07	Bushing	115 mm		Mono Boom	HIT-4370337	93.30	
	9186602	030001-D04/07	Wear Ring		170 mm	Mono Boom	HIT-4370063	116.33	
	9186602	030001-D04/07	Wear Ring		170 mm	Mono Boom	HIT-4370064	58.24	
	9232346	030001-	P-UB-14	115 mm	170 mm	2P-Boom	HIT-9180582	401.13	
	9232346	030001-	P-UB-14	115 mm	170 mm	2P-Boom	HIT-9180582-EX	688.87	
	9232346	030001-	Bushing	115 mm		2P-Boom	HIT-4370337	93.30	
	9232346	030001-	Wear Ring		170 mm	2P-Boom	HIT-4370063	116.33	
	BOOM LH	4611474	D04/08-	P-UB-14	105 mm	150 mm		HIT-4640107	845.58
		9186601	030001-D04/07	P-UB-14	105 mm	150 mm		HIT-9180581	459.54
9186601		030001-D04/07	P-UB-14	105 mm	150 mm		HIT-9180581-EX	664.05	
9186601		030001-D04/07	Bushing	105 mm			HIT-4383093	65.87	
9186601		030001-D04/07	Wear Ring		150 mm		HIT-4194622	26.29	
9186601		030001-D04/07	Wear Ring		150 mm		HIT-4171490	92.81	
BOOM RH	4611473	D04/08-	P-UB-14	105 mm	150 mm		HIT-4640107	845.58	
	9186600	030001-D04/07	P-UB-14	105 mm	150 mm		HIT-9180581	459.54	
	9186600	030001-D04/07	P-UB-14	105 mm	150 mm		HIT-9180581-EX	664.05	
	9186600	030001-D04/07	Bushing	105 mm			HIT-4383093	65.87	
	9186600	030001-D04/07	Wear Ring		150 mm		HIT-4171490	92.81	
	9186600	030001-D04/07	Wear Ring		150 mm		HIT-4194622	26.29	
BUCKET	4611475	D04/08-	P-UB-14	95 mm	145 mm		HIT-4640108	739.18	
	9186603	030001-D04/07	P-UB-14	95 mm	145 mm		HIT-9175564	272.44	
	9186603	030001-D04/07	P-UB-14	95 mm	145 mm		HIT-9175564-EX	465.91	
	9186603	030001-D04/07	Bushing	95 mm			HIT-4284535	62.35	
	9186603	030001-D04/07	Wear Ring		145 mm		HIT-4185247	88.57	
	9186603	030001-D04/07	Wear Ring		145 mm		HIT-4185249	24.43	
MODEL ZX330-3, ZX330LC-3									
ARM	4628635	050001-	P-UB-10	115 mm	170 mm		HIT-4649051	345.75	
	4628635	050001-	P-UB-10	115 mm	170 mm		HIT-4649051-EX	587.87	
	4628635	050001-	Bushing	115 mm			HIT-0352704	70.57	
	4628635	050001-	Wear Ring		170 mm		HIT-0259307	116.33	
	4628635	050001-	Wear Ring		170 mm		HIT-0975411	34.86	
	4639441	050001-	P-UB-10	115 mm	170 mm		HIT-4649051	345.75	
	4639441	050001-	P-UB-10	115 mm	170 mm		HIT-4649051-EX	587.87	
	4639441	050001-	Bushing	115 mm			HIT-0352704	70.57	
	4639441	050001-	Wear Ring		170 mm		HIT-0259307	116.33	
	4639441	050001-	Wear Ring		170 mm		HIT-0975411	34.86	
	4644677	050001-	P-UB-10	115 mm	170 mm		HIT-4649051	345.75	
	4644677	050001-	P-UB-10	115 mm	170 mm		HIT-4649051-EX	587.87	
	4644677	050001-	Bushing	115 mm			HIT-0352704	70.57	
	4644677	050001-	Wear Ring		170 mm		HIT-0259307	116.33	

Hercules Sealing Products and original equipment Hitachi kits may not include the necessary wear rings for your cylinder rebuild.
Kits with an -EX suffix will include these wear rings.

Please ask your sales representative for a cross-reference if no -EX kit or complementary parts are listed.

HITACHI

Replacement Kits For

HITACHI

Excavators									
APPLICATION	CYL #	SERIAL #	CODE	ROD	BORE	Misc	KIT #	List \$	
MODEL ZX330-3, ZX330LC-3									
ARM	4644677	050001-	Wear Ring		170 mm		HIT-0975411	34.86	
	4646776	050001-	P-UB-10	115 mm	170 mm		HIT-4649051	345.75	
	4646776	050001-	P-UB-10	115 mm	170 mm		HIT-4649051-EX	587.87	
	4646776	050001-	Bushing	115 mm			HIT-0352704	70.57	
	4646776	050001-	Wear Ring		170 mm		HIT-0259307	116.33	
	4646776	050001-	Wear Ring		170 mm		HIT-0975411	34.86	
BOOM LH	4628637	050001-	P-UB-10	100 mm	145 mm		HIT-4649049	335.54	
	4628637	050001-	P-UB-10	100 mm	145 mm		HIT-4649049-EX	556.70	
	4628637	050001-	Bushing	100 mm			HIT-0836104	72.65	
	4628637	050001-	Wear Ring		145 mm		HIT-0962008	28.91	
	4628637	050001-	Wear Ring		145 mm		HIT-0373413	110.09	
	4638831	050001-	P-UB-10	100 mm	145 mm		HIT-4649049	335.54	
	4638831	050001-	P-UB-10	100 mm	145 mm		HIT-4649049-EX	556.70	
	4638831	050001-	Bushing	100 mm			HIT-0836104	72.65	
	4638831	050001-	Wear Ring		145 mm		HIT-0373413	110.09	
	4638831	050001-	Wear Ring		145 mm		HIT-0962008	28.91	
	BOOM RH	4628636	050001-	P-UB-10	100 mm	145 mm		HIT-4649049	335.54
		4628636	050001-	P-UB-10	100 mm	145 mm		HIT-4649049-EX	556.70
4628636		050001-	Bushing	100 mm			HIT-0836104	72.65	
4628636		050001-	Wear Ring		145 mm		HIT-0962008	28.91	
4628636		050001-	Wear Ring		145 mm		HIT-0373413	110.09	
4644670		050001-	P-UB-10	100 mm	145 mm		HIT-4649049	335.54	
4644670		050001-	P-UB-10	100 mm	145 mm		HIT-4649049-EX	556.70	
4644670		050001-	Bushing	100 mm			HIT-0836104	72.65	
4644670		050001-	Wear Ring		145 mm		HIT-0373413	110.09	
4644670		050001-	Wear Ring		145 mm		HIT-0962008	28.91	
BUCKET		4643260	050001-	P-UB-10	95 mm	140 mm		HIT-4649053	298.82
		4643260	050001-	P-UB-10	95 mm	140 mm		HIT-4649053-EX	459.97
	4643260	050001-	Bushing	95 mm			HIT-0309204	53.01	
	4643260	050001-	Wear Ring		140 mm		HIT-0224108	69.98	
	4643260	050001-	Wear Ring		140 mm		HIT-0960302	28.91	
MODEL ZX330LC-5									
ARM (2P-BOOM)	9232346; 9232349		P-UB-14	115 mm	170 mm		HIT-9180582	401.13	
ARM (MONO BOOM)	4611472; 0961401		P-UB-14	115 mm	170 mm		HIT-4640118	643.80	
	9186602; 9206327		P-UB-14	115 mm	170 mm		HIT-9180582	401.13	
BOOM (LH)	4611474; 0961201		P-UB-14	105 mm	150 mm		HIT-4640107	845.58	
	9186601; 9206326		P-UB-14	105 mm	150 mm		HIT-9180581	459.54	
BOOM (RH)	4611473; 0961201		P-UB-14	105 mm	150 mm		HIT-4640107	845.58	
	9186600; 9206325		P-UB-14	105 mm	150 mm		HIT-9180581	459.54	
BUCKET	4611475; 0961501		P-UB-14	95 mm	145 mm		HIT-4640108	739.18	
	9186603; 9206328		P-UB-14	95 mm	145 mm		HIT-9175564	272.44	
BUCKET (BEH BOOM)	4611271		P-UB-10	100 mm	150 mm		HIT-4624819	441.62	
POSITIONING	4611165		P-UB-10	105 mm	170 mm		HIT-4662072	317.51	
POSITIONING (w/HOLDING VALVE)	4612135		P-UB-10	105 mm	170 mm		HIT-4662072	317.51	
MODEL ZX350LC-3, ZX350LCN-3, ZX350H-3, ZX350LCH-3, ZX350K-3, ZX350LCK-3									
ARM	4628635	050001-	P-UB-10	115 mm	170 mm		HIT-4649051	345.75	
	4628635	050001-	P-UB-10	115 mm	170 mm		HIT-4649051-EX	587.87	

Hercules Sealing Products and original equipment Hitachi kits may not include the necessary wear rings for your cylinder rebuild.
Kits with an -EX suffix will include these wear rings.

Please ask your sales representative for a cross-reference if no -EX kit or complementary parts are listed.

Replacement Kits For

HITACHI

Excavators										
APPLICATION	CYL #	SERIAL #	CODE	ROD	BORE	Misc	KIT #	List \$		
MODEL ZX350LC-3, ZX350LCN-3, ZX350H-3, ZX350LCH-3, ZX350K-3, ZX350LCK-3										
ARM	4628635	050001-	Bushing	115 mm			HIT-0352704	70.57		
	4628635	050001-	Wear Ring		170 mm		HIT-0259307	116.33		
	4628635	050001-	Wear Ring		170 mm		HIT-0975411	34.86		
	4639441	050001-	P-UB-10	115 mm	170 mm		HIT-4649051	345.75		
	4639441	050001-	P-UB-10	115 mm	170 mm		HIT-4649051-EX	587.87		
	4639441	050001-	Bushing	115 mm			HIT-0352704	70.57		
	4639441	050001-	Wear Ring		170 mm		HIT-0259307	116.33		
	4639441	050001-	Wear Ring		170 mm		HIT-0975411	34.86		
	4644677	050001-	P-UB-10	115 mm	170 mm		HIT-4649051	345.75		
	4644677	050001-	P-UB-10	115 mm	170 mm		HIT-4649051-EX	587.87		
	4644677	050001-	Bushing	115 mm			HIT-0352704	70.57		
	4644677	050001-	Wear Ring		170 mm		HIT-0259307	116.33		
	4644677	050001-	Wear Ring		170 mm		HIT-0975411	34.86		
	4646776	050001-	P-UB-10	115 mm	170 mm		HIT-4649051	345.75		
	4646776	050001-	P-UB-10	115 mm	170 mm		HIT-4649051-EX	587.87		
	4646776	050001-	Bushing	115 mm			HIT-0352704	70.57		
	4646776	050001-	Wear Ring		170 mm		HIT-0259307	116.33		
	4646776	050001-	Wear Ring		170 mm		HIT-0975411	34.86		
	BOOM LH	4628637	050001-	P-UB-10	100 mm	145 mm		HIT-4649049	335.54	
		4628637	050001-	P-UB-10	100 mm	145 mm		HIT-4649049-EX	556.70	
4628637		050001-	Bushing	100 mm			HIT-0836104	72.65		
4628637		050001-	Wear Ring		145 mm		HIT-0373413	110.09		
4628637		050001-	Wear Ring		145 mm		HIT-0962008	28.91		
4638831		050001-	P-UB-10	100 mm	145 mm		HIT-4649049	335.54		
4638831		050001-	P-UB-10	100 mm	145 mm		HIT-4649049-EX	556.70		
4638831		050001-	Bushing	100 mm			HIT-0836104	72.65		
4638831		050001-	Wear Ring		145 mm		HIT-0373413	110.09		
4638831		050001-	Wear Ring		145 mm		HIT-0962008	28.91		
BOOM RH	4628636	050001-	P-UB-10	100 mm	145 mm		HIT-4649049	335.54		
	4628636	050001-	P-UB-10	100 mm	145 mm		HIT-4649049-EX	556.70		
	4628636	050001-	Bushing	100 mm			HIT-0836104	72.65		
	4628636	050001-	Wear Ring		145 mm		HIT-0373413	110.09		
	4628636	050001-	Wear Ring		145 mm		HIT-0962008	28.91		
	4644670	050001-	P-UB-10	100 mm	145 mm		HIT-4649049	335.54		
	4644670	050001-	P-UB-10	100 mm	145 mm		HIT-4649049-EX	556.70		
	4644670	050001-	Bushing	100 mm			HIT-0836104	72.65		
	4644670	050001-	Wear Ring		145 mm		HIT-0373413	110.09		
	4644670	050001-	Wear Ring		145 mm		HIT-0962008	28.91		
BUCKET	4643260	050001-	P-UB-10	95 mm	140 mm		HIT-4649053	298.82		
	4643260	050001-	P-UB-10	95 mm	140 mm		HIT-4649053-EX	459.97		
	4643260	050001-	Bushing	95 mm			HIT-0309204	53.01		
	4643260	050001-	Wear Ring		140 mm		HIT-0224108	69.98		
	4643260	050001-	Wear Ring		140 mm		HIT-0960302	28.91		
MODEL ZX350LC-5N										
ARM			P-UB-14	115 mm	170 mm		HIT-4640118	643.80		
	9303616H		P-UB-10	115 mm	170 mm		HIT-4S00930	358.87		
	9303616H			115 mm	170 mm		HIT-4S00930-EX	582.58		
	9303616H		Wear Ring		170 mm		HIT-AT264248	116.33		
	9303616H		Wear Ring		170 mm		HIT-4S00858	34.86		
BOOM LH	9246664		P-UB-10	100 mm	145 mm		HIT-4S00783	341.87		
	9246664		P-UB-10	100 mm	145 mm		HIT-4S00783-EX	556.70		
BOOM RH	9246663		P-UB-10	100 mm	145 mm		HIT-4S00783	341.87		
	9246663		P-UB-10	100 mm	145 mm		HIT-4S00783-EX	556.70		
	9246663		Wear Ring		145 mm		HIT-4S00804	110.09		
	9246663		Wear Ring		145 mm		HIT-4S00803	28.91		

Hercules Sealing Products and original equipment Hitachi kits may not include the necessary wear rings for your cylinder rebuild.
Kits with an -EX suffix will include these wear rings.

Please ask your sales representative for a cross-reference if no -EX kit or complementary parts are listed.

Replacement Kits For

HITACHI

Excavators								
APPLICATION	CYL #	SERIAL #	CODE	ROD	BORE	Misc	KIT #	List \$
MODEL ZX350LC-5N								
BUCKET			P-UB-10	75 mm	105 mm		HIT-AH155040	758.84
	4379259		P-UB-10	65 mm	95 mm		HIT-AT196469	502.03
	9255452H		P-UB-10	95 mm	140 mm		HIT-FYA00001398	201.19
	9255452H		P-UB-10	95 mm	140 mm		HIT-FYA00001398-EX	374.06
	9255452H		Wear Ring		140 mm		HIT-TH102797	69.98
	9255452H		Wear Ring		140 mm		HIT-4S00705	28.91
THUMB	AT383284		I-UB-14	3	5		HIT-AT383285	426.20
MODEL ZX350LC-6								
ARM	9299855H		P-UB-10	115 mm	170 mm		HIT-FYA00008837	704.85
BOOM (LH)	9303615H		P-UB-10	100 mm	145 mm		HIT-FYA00008840	634.14
BOOM (RH)	9299853H		P-UB-10	100 mm	145 mm		HIT-FYA00008840	634.14
BUCKET	9271380H		P-UB-10	95 mm	145 mm		HIT-FYA00001401	425.72
	9299856H		P-UB-10	95 mm	140 mm		HIT-FYA00008843	593.45
THUMB	AT383284		I-UB-14	3	5		HIT-AT383285	426.20
TRACK ADJUSTER	9243509R						HIT-SK100101	55.91
MODEL ZX360LC-3								
ARM	4628635	00100001-	P-UB-10	115 mm	170 mm		HIT-4649051	345.75
	4628635	00100001-	P-UB-10	115 mm	170 mm		HIT-4649051-EX	587.87
	4628635	00100001-	Bushing	115 mm			HIT-0352704	70.57
	4628635	00100001-	Wear Ring		170 mm		HIT-0259307	116.33
	4628635	00100001-	Wear Ring		170 mm		HIT-0975411	34.86
BOOM LH	4628637	00100001-	P-UB-10	100 mm	145 mm		HIT-4649049	335.54
	4628637	00100001-	P-UB-10	100 mm	145 mm		HIT-4649049-EX	556.70
	4628637	00100001-	Bushing	100 mm			HIT-0836104	72.65
	4628637	00100001-	Wear Ring		145 mm		HIT-0962008	28.91
	4628637	00100001-	Wear Ring		145 mm		HIT-0373413	110.09
BOOM RH	4628636	00100001-	P-UB-10	100 mm	145 mm		HIT-4649049	335.54
	4628636	00100001-	P-UB-10	100 mm	145 mm		HIT-4649049-EX	556.70
	4628636	00100001-	Bushing	100 mm			HIT-0836104	72.65
	4628636	00100001-	Wear Ring		145 mm		HIT-0962008	28.91
	4628636	00100001-	Wear Ring		145 mm		HIT-0373413	110.09
BUCKET	4643260	00100001-	P-UB-10	95 mm	140 mm		HIT-4649053	298.82
	4643260	00100001-	P-UB-10	95 mm	140 mm		HIT-4649053-EX	459.97
	4643260	00100001-	Bushing	95 mm			HIT-0309204	53.01
	4643260	00100001-	Wear Ring		140 mm		HIT-0224108	69.98
	4643260	00100001-	Wear Ring		140 mm		HIT-0960302	28.91
MODEL ZX450, ZX450LC, ZX450H, ZX450LCH, ZX460LCH, ZX480MT, ZX480MTH								
BACKHOE ARM	4310243	010001-	P-UB-10	130 mm	190 mm		HIT-4438679	516.80
	4310243	010001-	Bushing	130 mm			HIT-0353004	100.07
	4310243	010001-	Wear Ring		190 mm		HIT-0242512	120.97
	4310243	010001-	Wear Ring		190 mm		HIT-0420307	62.76
	4310243	050001-	P-UB-10	130 mm	190 mm		HIT-4438679	516.80
BACKHOE BOOM LH	4310242	010001-D03-/07	P-UB-10	115 mm	170 mm		HIT-4438672	611.01
	4310242	010607-010612, 010621-010626, 010638-	P-UB-10	115 mm	170 mm		HIT-4438672	611.01
	4310242	010607-010612, 010621-010626, 010638-	Bushing	115 mm			HIT-0352704	70.57
	4310242	010607-010612, 010621-010626, 010638-	Wear Ring		170 mm		HIT-0420109	34.86
	4310242	010607-010612, 010621-010626, 010638-	Wear Ring		170 mm		HIT-0259307	116.33
	4310242	050002-	P-UB-10	115 mm	170 mm		HIT-4438672	611.01

Hercules Sealing Products and original equipment Hitachi kits may not include the necessary wear rings for your cylinder rebuild.
Kits with an -EX suffix will include these wear rings.

Please ask your sales representative for a cross-reference if no -EX kit or complementary parts are listed.

Replacement Kits For

HITACHI

Excavators								
APPLICATION	CYL #	SERIAL #	CODE	ROD	BORE	Misc	KIT #	List \$
MODEL ZX450, ZX450LC, ZX450H, ZX450LCH, ZX460LCH, ZX480MT, ZX480MTH								
BACKHOE BOOM LH	9174340	010001-010606, 010613-010620, 010627-010637	P-UB-14	115 mm	170 mm		HIT-9180582	401.13
	9174340	010001-010606, 010613-010620, 010627-010637	Bushing	115 mm			HIT-4370337	93.30
	9174340	010001-010606, 010613-010620, 010627-010637	Wear Ring		170 mm		HIT-4370063	116.33
	9174340	010001-010606, 010613-010620, 010627-010637	Wear Ring		170 mm		HIT-4370064	58.24
	9174340	010001-D03-/07	P-UB-14	115 mm	170 mm		HIT-9180582	401.13
	9174340	050001	P-UB-14	115 mm	170 mm		HIT-9180582	401.13
BACKHOE BOOM RH	4310241	010607-010612, 010621-010626, 010638-	P-UB-10	115 mm	170 mm		HIT-4438672	611.01
	4310241	010607-010612, 010621-010626, 010638-	Bushing	115 mm			HIT-0352704	70.57
	4310241	010607-010612, 010621-010626, 010638-	Wear Ring		170 mm		HIT-0259307	116.33
	4310241	010607-010612, 010621-010626, 010638-	Wear Ring		170 mm		HIT-0420109	34.86
	4310241	050002-	P-UB-10	115 mm	170 mm		HIT-4438672	611.01
	4310241	D03/08-	P-UB-10	115 mm	170 mm		HIT-4438672	611.01
	9174339	010001-010606, 010613-010620, 010627-010637	P-UB-14	115 mm	170 mm		HIT-9180582	401.13
	9174339	010001-010606, 010613-010620, 010627-010637	Bushing	115 mm			HIT-4370337	93.30
	9174339	010001-010606, 010613-010620, 010627-010637	Wear Ring		170 mm		HIT-4370064	58.24
	9174339	010001-010606, 010613-010620, 010627-010637	Wear Ring		170 mm		HIT-4370063	116.33
	9174339	010001-D03/07	P-UB-14	115 mm	170 mm		HIT-9180582	401.13
	9174339	050001	P-UB-14	115 mm	170 mm		HIT-9180582	401.13
	9209136	010001-	P-UB-14	115 mm	170 mm	Long Arm	HIT-9180582	401.13
	BACKHOE BUCKET	4390024	010001-	P-UB-10	120 mm	170 mm		HIT-4438681
4390024		010001-	Bushing	120 mm			HIT-0450506	68.36
4390024		010001-	Wear Ring		170 mm		HIT-0420109	34.86
4390024		010001-	Wear Ring		170 mm		HIT-0259307	116.33
4390024		050001-	P-UB-10	120 mm	170 mm		HIT-4438681	382.62
9138785		010001-	P-UB-14	95 mm	145 mm	Long Arm	HIT-9123265	240.97
9138785		010001-	Bushing	95 mm		Long Arm	HIT-4284535	62.35
9138785		010001-	Wear Ring		145 mm	Long Arm	HIT-4185247	88.57
9138785		010001-	Wear Ring		145 mm	Long Arm	HIT-4185249	24.43
LOADER ARM		4219778	010001-	P-UB-10	115 mm	170 mm		HIT-4255531
	4219778	010001-	P-UB-10	115 mm	170 mm		HIT-4438758	421.70
LOADER BOOM LH	9209137	010001-	P-UB-14	115 mm	170 mm		HIT-9180582	401.13
	9209137	010001-	Bushing	115 mm			HIT-4370337	93.30
	9209137	010001-	Wear Ring		170 mm		HIT-4370064	58.24
	9209137	010001-	Wear Ring		170 mm		HIT-4370063	116.33
LOADER BOOM RH	9209136	010001-	P-UB-14	115 mm	170 mm		HIT-9180582	401.13
	9209136	010001-	Bushing	115 mm			HIT-4370337	93.30

Hercules Sealing Products and original equipment Hitachi kits may not include the necessary wear rings for your cylinder rebuild. Kits with an -EX suffix will include these wear rings.

Please ask your sales representative for a cross-reference if no -EX kit or complementary parts are listed.

Replacement Kits For

HITACHI

Excavators								
APPLICATION	CYL #	SERIAL #	CODE	ROD	BORE	Misc	KIT #	List \$
MODEL ZX450, ZX450LC, ZX450H, ZX450LCH, ZX460LCH, ZX480MT, ZX480MTH								
LOADER BOOM RH	9209136	010001-	Wear Ring		170 mm		HIT-4370063	116.33
	9209136	010001-	Wear Ring		170 mm		HIT-4370064	58.24
LOADER BUCKET LH	4219781	010001-	P-UB-10	115 mm	150 mm		HIT-4255532	398.96
	4219781	010001-	Bushing	115 mm			HIT-0352704	70.57
	4219781	010001-	Wear Ring		150 mm		HIT-0387305	29.14
	4219781	010001-	Wear Ring		150 mm		HIT-0237220	77.28
	4219780	010001-	P-UB-10	115 mm	150 mm		HIT-4255532	398.96
LOADER BUCKET RH	4219780	010001-	Bushing	115 mm			HIT-0352704	70.57
	4219780	010001-	Wear Ring		150 mm		HIT-0387305	29.14
	4219780	010001-	Wear Ring		150 mm		HIT-0237220	77.28
	4219780	010001-	Wear Ring		150 mm		HIT-4255532	398.96
LOADER DUMP	4219782	010001-	P-UB-10	65 mm	100 mm		HIT-4255533	165.58
	4219782	010001-	Bushing	65 mm			HIT-0310604	30.52
	4219782	010001-	Wear Ring		100 mm		HIT-0326005	19.14
	4219782	010001-	Wear Ring		100 mm		HIT-0254908	98.62
LOADER LEVEL	4219779	010001-	P-UB-10	115 mm	170 mm		HIT-4438758	421.70
	4219779	010001-	P-UB-10	115 mm	170 mm		HIT-4255531	421.70
LOADING SHOVEL	4344048	010001-	P-UB-10	65 mm	100 mm		HIT-4255533	165.58
	4344048	010001-	Bushing	65 mm			HIT-0657704	31.73
	4344048	010001-	Wear Ring		130 mm		HIT-0657706	137.23
MODEL ZX450-3, ZX450LC-3								
ARM	4637753	020001-	P-UB-10	130 mm	190 mm		HIT-4653041	433.89
	4637753	020001-	P-UB-10	130 mm	190 mm		HIT-4653041-EX	735.34
	4637753	020001-	Bushing	130 mm			HIT-0353004	100.07
	4637753	020001-	Wear Ring		190 mm		HIT-0242512	120.97
	4637753	020001-	Wear Ring		190 mm		HIT-0972305	62.76
BOOM LH	4637752	020001-	P-UB-10	115 mm	170 mm		HIT-4653040	370.59
	4637752	020001-	P-UB-10	115 mm	170 mm		HIT-4653040-EX	612.72
	4637752	020001-	Bushing	115 mm			HIT-0352704	70.57
	4637752	020001-	Wear Ring		170 mm		HIT-0259307	116.33
	4637752	020001-	Wear Ring		170 mm		HIT-0972106	34.86
BOOM RH	4637751	020001-	P-UB-10	115 mm	170 mm		HIT-4653040	370.59
	4637751	020001-	P-UB-10	115 mm	170 mm		HIT-4653040-EX	612.72
	4637751	020001-	Bushing	115 mm			HIT-0352704	70.57
	4637751	020001-	Wear Ring		170 mm		HIT-0259307	116.33
	4637751	020001-	Wear Ring		170 mm		HIT-0972106	34.86
BUCKET	4637754	020001-	P-UB-10	120 mm	170 mm		HIT-4653042	196.34
	4637754	020001-	P-UB-10	120 mm	170 mm		HIT-4653042-EX	433.79
	4637754	020001-	Bushing	120 mm			HIT-0450506	68.36
	4637754	020001-	Wear Ring		170 mm		HIT-0259307	116.33
	4637754	020001-	Wear Ring		170 mm		HIT-0972106	34.86
MODEL ZX470H-3, ZX470LCH-3								
ARM	4637753	020001-	P-UB-10	130 mm	190 mm		HIT-4653041	433.89
	4637753	020001-	P-UB-10	130 mm	190 mm		HIT-4653041-EX	735.34
	4637753	020001-	Bushing	130 mm			HIT-0353004	100.07
	4637753	020001-	Wear Ring		190 mm		HIT-0242512	120.97
	4637753	020001-	Wear Ring		190 mm		HIT-0972305	62.76
BOOM LH	4637752	020001-	P-UB-10	115 mm	170 mm		HIT-4653040	370.59
	4637752	020001-	P-UB-10	115 mm	170 mm		HIT-4653040-EX	612.72
	4637752	020001-	Bushing	115 mm			HIT-0352704	70.57
	4637752	020001-	Wear Ring		170 mm		HIT-0259307	116.33
	4637752	020001-	Wear Ring		170 mm		HIT-0972106	34.86
BOOM RH	4637751	020001-	P-UB-10	115 mm	170 mm		HIT-4653040	370.59
	4637751	020001-	P-UB-10	115 mm	170 mm		HIT-4653040-EX	612.72
	4637751	020001-	Bushing	115 mm			HIT-0352704	70.57
	4637751	020001-	Wear Ring		170 mm		HIT-0259307	116.33
	4637751	020001-	Wear Ring		170 mm		HIT-0972106	34.86

Hercules Sealing Products and original equipment Hitachi kits may not include the necessary wear rings for your cylinder rebuild.
Kits with an -EX suffix will include these wear rings.

Please ask your sales representative for a cross-reference if no -EX kit or complementary parts are listed.

Replacement Kits For

HITACHI

Excavators								
APPLICATION	CYL #	SERIAL #	CODE	ROD	BORE	Misc	KIT #	List \$
MODEL ZX470H-3, ZX470LCH-3								
BOOM RH	4637751	020001-	Wear Ring		170 mm		HIT-0972106	34.86
BUCKET	4637754	020001-	P-UB-10	120 mm	170 mm		HIT-4653042	196.34
	4637754	020001-	P-UB-10	120 mm	170 mm		HIT-4653042-EX	433.79
	4637754	020001-	Bushing	120 mm			HIT-0450506	68.36
	4637754	020001-	Wear Ring		170 mm		HIT-0259307	116.33
	4637754	020001-	Wear Ring		170 mm		HIT-0972106	34.86
MODEL ZX470LC-5B								
ARM	4712920		P-UB-10	130 mm	190 mm		HIT-4S00960	570.16
	4712920		P-UB-10	130 mm	190 mm		HIT-4S00960-EX	898.35
	4712920		Wear Ring		190 mm		HIT-0972305	62.76
	4712920		Wear Ring		190 mm		HIT-AT264245	64.14
BOOM LH	4698939		P-UB-10	115 mm	170 mm		HIT-4S00961	377.59
	4698939			115 mm	170 mm		HIT-4S00961-EX	612.72
	4698939		Wear Ring		170 mm		HIT-4S00858	34.86
	4698939		Wear Ring		170 mm		HIT-AT264248	116.33
BOOM RH	4698938		P-UB-10	115 mm	170 mm		HIT-4686432	624.26
BUCKET	FYA000048 97			120 mm	170 mm		HIT-4S00959	196.34
	FYA000048 97			120 mm	170 mm		HIT-4S00959-EX	433.79
	FYA000048 97		Wear Ring		170 mm		HIT-4S00858	34.86
	FYA000048 97		Wear Ring		170 mm		HIT-AT264248	116.33
THUMB	AT383284		I-UB-14	3	5		HIT-AT383285	426.20
MODEL ZX500LC-3								
ARM	4637753	020001-	P-UB-10	130 mm	190 mm		HIT-4653041	433.89
	4637753	020001-	P-UB-10	130 mm	190 mm		HIT-4653041-EX	735.34
	4637753	020001-	Bushing	130 mm			HIT-0353004	100.07
	4637753	020001-	Wear Ring		190 mm		HIT-0242512	120.97
	4637753	020001-	Wear Ring		190 mm		HIT-0972305	62.76
BOOM LH	4637752	020001-	P-UB-10	115 mm	170 mm		HIT-4653040	370.59
	4637752	020001-	P-UB-10	115 mm	170 mm		HIT-4653040-EX	612.72
	4637752	020001-	Bushing	115 mm			HIT-0352704	70.57
	4637752	020001-	Wear Ring		170 mm		HIT-0259307	116.33
	4637752	020001-	Wear Ring		170 mm		HIT-0972106	34.86
BOOM RH	4637751	020001-	P-UB-10	115 mm	170 mm		HIT-4653040	370.59
	4637751	020001-	P-UB-10	115 mm	170 mm		HIT-4653040-EX	612.72
	4637751	020001-	Bushing	115 mm			HIT-0352704	70.57
	4637751	020001-	Wear Ring		170 mm		HIT-0259307	116.33
	4637751	020001-	Wear Ring		170 mm		HIT-0972106	34.86
BUCKET	4637754	020001-	P-UB-10	120 mm	170 mm		HIT-4653042	196.34
	4637754	020001-	P-UB-10	120 mm	170 mm		HIT-4653042-EX	433.79
	4637754	020001-	Bushing	120 mm			HIT-0450506	68.36
	4637754	020001-	Wear Ring		170 mm		HIT-0259307	116.33
	4637754	020001-	Wear Ring		170 mm		HIT-0972106	34.86
MODEL ZX520LCH-3								
ARM	4637753	020001-	P-UB-10	130 mm	190 mm		HIT-4653041	433.89
	4637753	020001-	P-UB-10	130 mm	190 mm		HIT-4653041-EX	735.34
	4637753	020001-	Bushing	130 mm			HIT-0353004	100.07
	4637753	020001-	Wear Ring		190 mm		HIT-0242512	120.97
	4637753	020001-	Wear Ring		190 mm		HIT-0972305	62.76
BOOM LH	4637752	020001-	P-UB-10	115 mm	170 mm		HIT-4653040	370.59
	4637752	020001-	P-UB-10	115 mm	170 mm		HIT-4653040-EX	612.72
	4637752	020001-	Bushing	115 mm			HIT-0352704	70.57
	4637752	020001-	Wear Ring		170 mm		HIT-0259307	116.33

Hercules Sealing Products and original equipment Hitachi kits may not include the necessary wear rings for your cylinder rebuild.
Kits with an -EX suffix will include these wear rings.

Please ask your sales representative for a cross-reference if no -EX kit or complementary parts are listed.

Replacement Kits For

HITACHI

Excavators								
APPLICATION	CYL #	SERIAL #	CODE	ROD	BORE	Misc	KIT #	List \$
MODEL ZX520LCH-3								
BOOM LH	4637752	020001-	Wear Ring		170 mm		HIT-0972106	34.86
BOOM RH	4637751	020001-	P-UB-10	115 mm	170 mm		HIT-4653040	370.59
	4637751	020001-	P-UB-10	115 mm	170 mm		HIT-4653040-EX	612.72
	4637751	020001-	Bushing	115 mm			HIT-0352704	70.57
	4637751	020001-	Wear Ring		170 mm		HIT-0259307	116.33
	4637751	020001-	Wear Ring		170 mm		HIT-0972106	34.86
BUCKET	4637754	020001-	P-UB-10	120 mm	170 mm		HIT-4653042	196.34
	4637754	020001-	P-UB-10	120 mm	170 mm		HIT-4653042-EX	433.79
	4637754	020001-	Bushing	120 mm			HIT-0450506	68.36
	4637754	020001-	Wear Ring		170 mm		HIT-0259307	116.33
	4637754	020001-	Wear Ring		170 mm		HIT-0972106	34.86
MODEL ZX800								
BACKHOE ARM	4331077	006001-	P-UB-10	150 mm	215 mm		HIT-4436496	522.84
	4331077	006001-	P-UB-10	150 mm	215 mm		HIT-4436496-EX	1036.60
	4331077	006001-	Wear Ring		215 mm		HIT-0702704	34.63
	4331077	006001-	Wear Ring		215 mm		HIT-0392306	128.65
	4456466	006001-	P-UB-10	160 mm	225 mm		HIT-4474521	403.18
	4456466	006001-	P-UB-10	160 mm	225 mm		HIT-4474521-EX	963.50
	4456466	006001-	Wear Ring		225 mm		HIT-0242714	250.58
	4456466	006001-	Wear Ring		225 mm		HIT-0831308	36.31
BACKHOE BOOM LH	4331076	006001-	P-UB-10	140 mm	200 mm		HIT-4438684	766.97
BACKHOE BOOM RH	4331075	006001-	P-UB-10	140 mm	200 mm		HIT-4438684	766.97
BACKHOE BUCKET	4360555	006001-	P-UB-10	150 mm	215 mm		HIT-4436496	522.84
	4360555	006001-	P-UB-10	150 mm	215 mm		HIT-4436496-EX	1036.60
	4360555	006001-	Wear Ring		215 mm		HIT-0392306	128.65
	4360555	006001-	Wear Ring		215 mm		HIT-0702704	34.63
	4397518	006001-	P-UB-10	120 mm	180 mm		HIT-4437965	639.46
	4437039	006001-	P-UB-10	140 mm	190 mm		HIT-4438693	503.25
	4437039	006001-	P-UB-10	140 mm	190 mm		HIT-4438693-EX	721.48
	4437039	006001-	Wear Ring		190 mm		HIT-0242512	120.97
	4437039	006001-	Wear Ring		190 mm		HIT-0420307	62.76
	BOOM LH	4331076	006001-	P-UB-10	140 mm	200 mm	Backhoe	HIT-4660036
BOOM RH	4331075	006001-	P-UB-10	140 mm	200 mm	Backhoe	HIT-4660036	766.97
C/W LIFTING	4392996	006001-	P-UB-10	120 mm	170 mm		HIT-4405053	363.98
	4392996	006001-	P-UB-10	120 mm	170 mm		HIT-4405053-EX	515.11
	4392996	006001-	Wear Ring		170 mm		HIT-0259307	116.33
	4392996	006001-	Wear Ring		170 mm		HIT-0420109	34.86
LOADER ARM	4328130	006001-	P-UB-10	140 mm	200 mm		HIT-4291362	345.99
	4328130	006001-	P-UB-10	140 mm	200 mm		HIT-4291362-EX	1321.25
	4328130	006001-	Wear Ring		200 mm		HIT-4199817	118.80
	4328130	006001-	Wear Ring		200 mm		HIT-0340108	202.01
LOADER BUCKET LH	4328132	006001-	P-UB-10	130 mm	180 mm		HIT-4291368	474.06
	4328132	006001-	P-UB-10	130 mm	180 mm		HIT-4291368-EX	613.58
	4328132	006001-	Wear Ring		180 mm		HIT-0417609	50.97
	4328132	006001-	Wear Ring		180 mm		HIT-0332708	25.64
LOADER BUCKET RH	4328131	006001-	P-UB-10	130 mm	180 mm		HIT-4291368	474.06
	4328131	006001-	P-UB-10	130 mm	180 mm		HIT-4291368-EX	613.58
	4328131	006001-	Wear Ring		180 mm		HIT-0332708	25.64
	4328131	006001-	Wear Ring		180 mm		HIT-0417609	50.97
LOADER DUMP	4243502	006001-	P-UB-10	80 mm	130 mm		HIT-4314461	200.47
	4243502	006001-	P-UB-10	80 mm	130 mm		HIT-4314461-EX	357.09
	4243502	006001-	Wear Ring		130 mm		HIT-0254309	67.84
	4243502	006001-	Wear Ring		130 mm		HIT-0399306	26.36
LOADER LEVEL	4243498	006001-	P-UB-10	140 mm	200 mm		HIT-4291362	345.99
	4243498	006001-	P-UB-10	140 mm	200 mm		HIT-4291362-EX	1321.25

Hercules Sealing Products and original equipment Hitachi kits may not include the necessary wear rings for your cylinder rebuild.
Kits with an -EX suffix will include these wear rings.

Please ask your sales representative for a cross-reference if no -EX kit or complementary parts are listed.

Replacement Kits For

HITACHI

Excavators								
APPLICATION	CYL #	SERIAL #	CODE	ROD	BORE	Misc	KIT #	List \$
MODEL ZX800								
LOADER LEVEL	4243498	006001-	Wear Ring		200 mm		HIT-4199817	118.80
	4243498	006001-	Wear Ring		200 mm		HIT-0340108	202.01
MODEL ZX850H								
BACKHOE ARM	4331077	006001-	P-UB-10	150 mm	215 mm	STD Boom, BE Boom	HIT-4436496	522.84
	4331077	006001-	P-UB-10	150 mm	215 mm		HIT-4436496-EX	1036.60
	4331077	006001-	Wear Ring		215 mm	STD Boom, BE Boom	HIT-0392306	128.65
	4331077	006001-	Wear Ring		215 mm	STD Boom, BE Boom	HIT-0702704	34.63
	4456466	006001-	P-UB-10	160 mm	225 mm	HD Boom	HIT-4474521	403.18
	4456466	006001-	P-UB-10	160 mm	225 mm		HIT-4474521-EX	963.50
	4456466	006001-	Wear Ring		225 mm	HD Boom	HIT-0831308	36.31
	4456466	006001-	Wear Ring		225 mm	HD Boom	HIT-0242714	250.58
BACKHOE BOOM LH	4331076	006001-	P-UB-10	140 mm	200 mm		HIT-4438684	766.97
	4331076	006001-	Wear Ring		200 mm		HIT-0645008	38.57
	4331076	006001-	Wear Ring		200 mm		HIT-4199817	118.80
BACKHOE BOOM RH	4331075	006001-	P-UB-10	140 mm	200 mm		HIT-4438684	766.97
	4331075	006001-	Wear Ring		200 mm		HIT-4199817	118.80
	4331075	006001-	Wear Ring		200 mm		HIT-0645008	38.57
BACKHOE BUCKET	4360555	006001-	P-UB-10	150 mm	215 mm	BE Boom, BE Arm	HIT-4436496	522.84
	4360555	006001-	P-UB-10	150 mm	215 mm		HIT-4436496-EX	1036.60
	4360555	006001-	Wear Ring		215 mm	BE Boom, BE Arm	HIT-0392306	128.65
	4360555	006001-	Wear Ring		215 mm	BE Boom, BE Arm	HIT-0702704	34.63
	4397518	006001-	P-UB-10	120 mm	180 mm		HIT-4437965	639.46
	4397518	006001-	P-UB-10	120 mm	180 mm	Long Arm	HIT-4660108	639.46
	4397518	006001-	Wear Ring		180 mm	Long Arm	HIT-0332708	25.64
	4397518	006001-	Wear Ring		180 mm	Long Arm	HIT-0643015	50.97
	4432009	006001-	P-UB-10	120 mm	180 mm	Long Arm	HIT-4692136	707.63
	4432009	006001-	Wear Ring		180 mm	Long Arm	HIT-0332708	25.64
	4432009	006001-	Wear Ring		180 mm	Long Arm	HIT-0417609	50.97
	4437039	006001-	P-UB-10	140 mm	190 mm	STD Boom, HD Boom, Semi-long Arm	HIT-4438693	503.25
	4437039	006001-	P-UB-10	140 mm	190 mm		HIT-4438693-EX	721.48
	4437039	006001-	Wear Ring		190 mm	STD Boom, HD Boom, Semi-long Arm	HIT-0242512	120.97
	4437039	006001-	Wear Ring		190 mm	STD Boom, HD Boom, Semi-long Arm	HIT-0420307	62.76
C/W LIFTING	4392996	006001-	P-UB-10	120 mm	170 mm		HIT-4405053	363.98
	4392996	006001-	P-UB-10	120 mm	170 mm		HIT-4405053-EX	515.11
	4392996	006001-	Wear Ring		170 mm		HIT-0420109	34.86
	4392996	006001-	Wear Ring		170 mm		HIT-0259307	116.33
LOADER ARM	4328130	006001-	P-UB-10	140 mm	200 mm		HIT-4291362	345.99
	4328130	006001-	P-UB-10	140 mm	200 mm		HIT-4291362-EX	1321.25
	4328130	006001-	Wear Ring		200 mm		HIT-0340108	202.01
	4328130	006001-	Wear Ring		200 mm		HIT-4199817	118.80
LOADER BUCKET LH	4328132	006001-	P-UB-10	130 mm	180 mm		HIT-4291368	474.06
	4328132	006001-	P-UB-10	130 mm	180 mm		HIT-4291368-EX	613.58
	4328132	006001-	Wear Ring		180 mm		HIT-0417609	50.97
	4328132	006001-	Wear Ring		180 mm		HIT-0332708	25.64
LOADER BUCKET RH	4328131	006001-	P-UB-10	130 mm	180 mm		HIT-4291368	474.06

Hercules Sealing Products and original equipment Hitachi kits may not include the necessary wear rings for your cylinder rebuild. Kits with an -EX suffix will include these wear rings.

Please ask your sales representative for a cross-reference if no -EX kit or complementary parts are listed.

Replacement Kits For

HITACHI

Excavators								
APPLICATION	CYL #	SERIAL #	CODE	ROD	BORE	Misc	KIT #	List \$
MODEL ZX850H								
LOADER BUCKET RH	4328131	006001-	P-UB-10	130 mm	180 mm		HIT-4291368-EX	613.58
	4328131	006001-	Wear Ring		180 mm		HIT-0332708	25.64
	4328131	006001-	Wear Ring		180 mm		HIT-0417609	50.97
LOADER DUMP	4243502	006001-	P-UB-10	80 mm	130 mm		HIT-4314461	200.47
	4243502	006001-	P-UB-10	80 mm	130 mm		HIT-4314461-EX	357.09
	4243502	006001-	Wear Ring		130 mm		HIT-0254309	67.84
	4243502	006001-	Wear Ring		130 mm		HIT-0399306	26.36
LOADER LEVEL	4243498	006001-	P-UB-10	140 mm	200 mm		HIT-4291362	345.99
	4243498	006001-	P-UB-10	140 mm	200 mm		HIT-4291362-EX	1321.25
	4243498	006001-	Wear Ring		200 mm		HIT-0340108	202.01
	4243498	006001-	Wear Ring		200 mm		HIT-4199817	118.80
MODEL ZX870H-3								
ARM	4638083	020001-	P-UB-10	160 mm	225 mm		HIT-4653862	403.18
	4638083	020001-	P-UB-10	160 mm	225 mm		HIT-4653862-EX	963.50
	4638083	020001-	Wear Ring		225 mm		HIT-0978308	36.31
	4638083	020001-	Wear Ring		225 mm		HIT-0242714	250.58
BOOM LH	4638081	020001-	P-UB-10	150 mm	215 mm		HIT-4653861	527.49
	4638081	020001-	P-UB-10	150 mm	215 mm		HIT-4653861-EX	1041.26
	4638081	020001-	Wear Ring		215 mm		HIT-0978106	34.63
	4638081	020001-	Wear Ring		215 mm		HIT-0392306	128.65
BOOM RH	4638080	020001-	P-UB-10	150 mm	215 mm		HIT-4653861	527.49
	4638080	020001-	P-UB-10	150 mm	215 mm		HIT-4653861-EX	1041.26
	4638080	020001-	Wear Ring		215 mm		HIT-0978106	34.63
	4638080	020001-	Wear Ring		215 mm		HIT-0392306	128.65
BUCKET	4638084	020001-	P-UB-10	140 mm	200 mm		HIT-4653863	345.99
	4638084	020001-	P-UB-10	140 mm	200 mm		HIT-4653863-EX	653.04
	4638084	020001-	Wear Ring		200 mm		HIT-4199817	118.80
	4638084	020001-	Wear Ring		200 mm		HIT-0977906	38.57
Excavators - Compact								
APPLICATION	CYL #	SERIAL #	CODE	ROD	BORE	Misc	KIT #	List \$
MODEL EX50U								
ARM	4403510	000101-	P-U-10	50 mm	80 mm		HIT-0656714	169.42
BLADE	4391327	000101-	P-U-10	60 mm	110 mm		HIT-0654715	94.98
BOOM(CAB)	4409057	000101-		55 mm	95 mm		HIT-0735309	78.66
BOOM(CANOPY)	4412158	000101-		55 mm	95 mm		HIT-0735309	78.66
BUCKET	4403511	000101-		45 mm	75 mm		HIT-0735609	40.36
SWING	4392050	000101-	P-U-10	50 mm	100 mm		HIT-0656604	54.91
MODEL EX50UNA								
ARM	4403510	240001-	P-U-10	50 mm	80 mm		HIT-0656714	169.42
BLADE	4391327	240001-	P-U-10	60 mm	110 mm		HIT-0654715	94.98
BOOM	4409057	240001-		55 mm	95 mm		HIT-0735309	78.66
BUCKET	4403511	240001-		45 mm	75 mm		HIT-0735609	40.36
SWING	4392050	240001-	P-U-10	50 mm	100 mm		HIT-0656604	54.91
MODEL EX50UR								
ARM	4245654	000101-		55 mm	90 mm		HIT-4265822	187.67
BLADE	4261898	000101-		60 mm	115 mm		HIT-4265824	187.02
BOOM	4245653	000101-	P-UB-10	65 mm	115 mm		HIT-4265821	173.78
BUCKET	4245655	000101-	P-UB-10	50 mm	80 mm		HIT-4265823	203.96
OFFSET	4245656	000101-	P-U-10	50 mm	90 mm		HIT-4269765	171.67
MODEL EX55UR								
ARM	4316317	000101-		55 mm	90 mm		HIT-4340250	62.02
BLADE	4316320	000101-	P-U-10	70 mm	110 mm		HIT-4340274	124.03
BOOM	4316316	000101-		60 mm	110 mm		HIT-4340243	129.52
BUCKET	4316318	000101-	P-U-10	50 mm	80 mm		HIT-4340253	72.36
OFFSET	4316319	000101-		50 mm	90 mm		HIT-4340256	53.61

Hercules Sealing Products and original equipment Hitachi kits may not include the necessary wear rings for your cylinder rebuild.
Kits with an -EX suffix will include these wear rings.

Please ask your sales representative for a cross-reference if no -EX kit or complementary parts are listed.

Replacement Kits For

HITACHI

Excavators - Compact								
APPLICATION	CYL #	SERIAL #	CODE	ROD	BORE	Misc	KIT #	List \$
MODEL EX55UR-3								
ARM	4418001	005001-		55 mm	85 mm		HIT-0732808	63.63
BLADE	4403515	005001-	P-U-10	65 mm	110 mm		HIT-0733106	68.16
BOOM	4413855	005001-	P-U-10	60 mm	105 mm		HIT-0732708	80.10
BUCKET	4403662	005001-	P-U-10	50 mm	80 mm		HIT-0732905	78.80
OFFSET	4403663	005001-		50 mm	90 mm		HIT-0733003	66.38
MODEL UH07-3								
ARM			P-UB-5	85 mm	125 mm		HIT-4094458	373.33
BOOM			P-UB-5	85 mm	125 mm		HIT-4094457	347.20
BUCKET			I-U-5	70 mm	125 mm		HIT-4071694	212.87
MODEL UH07-5								
ARM			P-UB-5	90 mm	130 mm		HIT-4104127	445.25
BOOM			P-UB-5	85 mm	125 mm		HIT-4117741	369.74
BUCKET			P-UB-5	75 mm	125 mm		HIT-4117743	388.09
MODEL UH07-7								
ARM			P-UB-10	100 mm	140 mm		HIT-4153211	413.90
BOOM			P-UB-10	90 mm	130 mm		HIT-4153209	282.51
BUCKET			P-UB-10	80 mm	125 mm		HIT-4153213	366.36
MODEL UH009								
ARM			I-U-5	95 mm	150 mm		HIT-4064636	408.86
BOOM			I-U-5	90 mm	150 mm		HIT-4064635	262.32
BUCKET			I-U-5	90 mm	150 mm		HIT-4064635	262.32
MODEL UH010								
ARM			P-UB-5	105 mm	150 mm		HIT-4096959	605.10
BOOM			P-UB-5	95 mm	150 mm		HIT-4096957	383.12
BUCKET			P-UB-5	95 mm	150 mm		HIT-4096960	380.99
MODEL UH012								
ARM			P-U-5	110 mm	180 mm		HIT-4509364	751.60
BOOM			P-U-5	110 mm	180 mm		HIT-4509364	751.60
BUCKET			P-U-5	120 mm	180 mm		HIT-4509365	760.71
MODEL UH016								
ARM	3022991	005-009;053-069	P-UB-5	110 mm	170 mm		HIT-4153235	819.62
	3027628	001-165	P-UB-5	120 mm	190 mm		HIT-4162027	927.85
	3031888	166-	P-UB-10	120 mm	190 mm		HIT-4176980	553.97
	4167618	001-004;010-052;070-	P-UB-10	110 mm	170 mm		HIT-4167722	503.27
BOOM LH	3026175		P-UB-5	110 mm	170 mm	Old Style	HIT-4162026	869.90
	4167617		P-UB-10	110 mm	170 mm	New Style	HIT-4167721	513.01
BOOM RH	3026114		P-UB-5	110 mm	170 mm	Old Style	HIT-4162026	869.90
	4167616		P-UB-10	110 mm	170 mm	New Style	HIT-4167721	513.01
BUCKET	3026115	001-145	P-UB-5	110 mm	170 mm		HIT-4162028	868.34
	3027022	001-	P-UB-5	95 mm	150 mm		HIT-4150681	563.81
	3031889	146-	P-UB-10	110 mm	170 mm		HIT-4167721	513.01
DUMP	3024187	001-	P-UB-5	55 mm	100 mm		HIT-4144635	473.13
LEVEL	3025213	001-	P-UB-5	110 mm	170 mm		HIT-4153237	746.89
MODEL UH035								
ARM	4157138	002-	P-U-10	150 mm	225 mm		HIT-4163898	582.46
BOOM	4157139	002-	P-U-10	160 mm	240 mm		HIT-4163899	671.46
DUMP	4157143	002-	P-U-10	80 mm	140 mm		HIT-4163901	285.22
LEVEL	4157142	002-	P-U-10	160 mm	240 mm		HIT-4163899	671.46
TILT LH	4157141	002-	P-U-10	140 mm	190 mm		HIT-4163900	473.60
TILT RH	4157140	002-	P-U-10	140 mm	190 mm		HIT-4163900	473.60
MODEL UH045, UH061								
ARM			I-U-5	80 mm	130 mm		HIT-4101443	276.10
BOOM			I-U-5	70 mm	120 mm		HIT-4101442	209.31
BUCKET			I-U-5	70 mm	120 mm		HIT-4101442	209.31

Hercules Sealing Products and original equipment Hitachi kits may not include the necessary wear rings for your cylinder rebuild. Kits with an -EX suffix will include these wear rings.

Please ask your sales representative for a cross-reference if no -EX kit or complementary parts are listed.

Replacement Kits For

HITACHI

Excavators - Compact								
APPLICATION	CYL #	SERIAL #	CODE	ROD	BORE	Misc	KIT #	List \$
MODEL ZX35U-2								
ARM	4632807	010001-	P-U-10	45 mm	75 mm		HIT-4634034	157.71
BLADE	4617784	010001-	P-U-14	45 mm	95 mm		HIT-4622066	230.90
BOOM	4632805	010001-	P-U-10	50 mm	85 mm		HIT-4634033	171.93
	4632806	010001-	P-U-10	50 mm	85 mm		HIT-4634033	171.93
BUCKET	4608466	010001-	P-U-10	40 mm	65 mm		HIT-4614058	202.65
SWING	4608470	010001-	P-U-10	45 mm	85 mm		HIT-4614059	204.03
MODEL ZX50U								
ANGLE	4428237	005001-007000	P-U-10	45 mm	80 mm		HIT-0797805	53.30
ARM	4468846	005001-	P-U-10	50 mm	80 mm		HIT-0843613	99.60
BLADE	4468880	005001-007000	P-U-10	55 mm	100 mm		HIT-0843907	151.79
	4618628	0070001-	P-U-14	50 mm	105 mm		HIT-4622067	198.73
BOOM(CAB)	4468845	005001-	P-U-10	55 mm	95 mm		HIT-0844807	78.00
BOOM(CANOPY)	4468844	005001-	P-U-10	55 mm	95 mm		HIT-0844807	78.00
BUCKET	4468847	005001-	P-U-10	45 mm	75 mm		HIT-0844705	111.45
SWING	4463353	005001-	P-U-10	50 mm	100 mm		HIT-0843808	122.68
TILT	4428236	005001-007000	P-U-10	65 mm	110 mm		HIT-0854418	99.00
MODEL ZX50U-2								
ARM	4632810	010001-	P-U-10	50 mm	80 mm		HIT-4634036	161.19
	4632813	010001-	P-U-10	50 mm	80 mm		HIT-4634036	161.19
BLADE	4618628	010001-	P-U-14	50 mm	105 mm		HIT-4622067	198.73
BOOM	4628947	010001-	P-U-10	45 mm	75 mm		HIT-4614069	132.82
BOOM(CAB)	4632809	010001-	P-UB-10	55 mm	90 mm		HIT-4634035	75.91
	4632812	010001-		55 mm	95 mm		HIT-4634038	93.84
BOOM(CANOPY)	4632808	010001-	P-UB-10	55 mm	90 mm		HIT-4634035	75.91
	4632811	010001-		55 mm	95 mm		HIT-4634038	93.84
BUCKET	4628945	010001-		40 mm	70 mm		HIT-4634037	62.66
	4628947	010001-	P-U-10	45 mm	75 mm		HIT-4614069	132.82
SWING	4616034	010001-		50 mm	90 mm		HIT-4635157	64.77
MODEL ZX50U-3								
ARM	4632813	020001-	P-U-10	50 mm	80 mm		HIT-4634036	161.19
ARM(ML)	4627233	020001-	P-U-10	50 mm	80 mm		HIT-4634036	161.19
BLADE	4618628	020001-	P-U-14	50 mm	105 mm		HIT-4622067	198.73
BOOM(CAB ML)	4655766	020001-		55 mm	95 mm		HIT-4634038	93.84
BOOM(CAB)	4655764	020001-		55 mm	95 mm		HIT-4634038	93.84
BOOM(CANOPY ML)	4655765	020001-		55 mm	95 mm		HIT-4634038	93.84
BOOM(CANOPY)	4655763	020001-		55 mm	95 mm		HIT-4634038	93.84
BUCKET(WITH COVER)	4667781	020001-	P-U-10	45 mm	75 mm		HIT-4614069	132.82
BUCKET(WITHOUT COVER)	4628947	020001-	P-U-10	45 mm	75 mm		HIT-4614069	132.82
SWING	4679054	020001-		50 mm	90 mm		HIT-4705345	187.33
MODEL ZX50U-3F								
ARM	4632813	020001-	P-U-10	50 mm	80 mm		HIT-4634036	161.19
ARM(ML)	4627233	020001-	P-U-10	50 mm	80 mm		HIT-4634036	161.19
BLADE	4618628	020001-	P-U-14	50 mm	105 mm		HIT-4622067	198.73
BOOM(CAB ML)	4655766	020001-		55 mm	95 mm		HIT-4634038	93.84
BOOM(CAB)	4655764	020001-		55 mm	95 mm		HIT-4634038	93.84
BOOM(CANOPY ML)	4655765	020001-		55 mm	95 mm		HIT-4634038	93.84
BOOM(CANOPY)	4655763	020001-		55 mm	95 mm		HIT-4634038	93.84
BUCKET(WITH COVER)	4667781	020001-	P-U-10	45 mm	75 mm		HIT-4614069	132.82
BUCKET(WITHOUT COVER)	4628947	020001-	P-U-10	45 mm	75 mm		HIT-4614069	132.82
SWING	4679054	020001-		50 mm	90 mm		HIT-4705345	187.33
MODEL ZX50U-3U								
ARM	4632813	020001-	P-U-10	50 mm	80 mm		HIT-4634036	161.19
ARM(ML)	4627233	020001-	P-U-10	50 mm	80 mm		HIT-4634036	161.19
BLADE	4618628	020001-	P-U-14	50 mm	105 mm		HIT-4622067	198.73

Hercules Sealing Products and original equipment Hitachi kits may not include the necessary wear rings for your cylinder rebuild.
Kits with an -EX suffix will include these wear rings.

Please ask your sales representative for a cross-reference if no -EX kit or complementary parts are listed.

Replacement Kits For

HITACHI

Excavators - Compact								
APPLICATION	CYL #	SERIAL #	CODE	ROD	BORE	Misc	KIT #	List \$
MODEL ZX50U-3U								
BOOM(CAB ML)	4655766	020001-		55 mm	95 mm		HIT-4634038	93.84
BOOM(CAB)	4655764	020001-		55 mm	95 mm		HIT-4634038	93.84
BOOM(CANOPY ML)	4655765	020001-		55 mm	95 mm		HIT-4634038	93.84
BOOM(CANOPY)	4655763	020001-		55 mm	95 mm		HIT-4634038	93.84
BUCKET(WITH COVER)	4667781	020001-	P-U-10	45 mm	75 mm		HIT-4614069	132.82
BUCKET(WITHOUT COVER)	4628947	020001-	P-U-10	45 mm	75 mm		HIT-4614069	132.82
SWING	4679054	020001-		50 mm	90 mm		HIT-4705345	187.33
MODEL ZX60								
ARM	4665900	00100001-	P-UB-10	55 mm	85 mm		HIT-4681368	158.85
BOOM	4665903	00100001-	P-UB-10	60 mm	105 mm		HIT-4681367	150.23
BUCKET	4665902	00100001-	P-UB-10	50 mm	80 mm		HIT-4681369	142.60
MODEL ZX70, ZX70LC								
ARM	4388224	060001-	P-UB-10	60 mm	95 mm	Offset Boom	HIT-4415584	207.50
	4388224	060001-	P-UB-10	60 mm	95 mm	Offset Boom	HIT-4415584-EX	291.16
	4388224	060001-	Wear Ring		95 mm	Offset Boom	HIT-0333007	32.35
	4446255	060001-	P-UB-10	60 mm	95 mm	Mono Boom, Swing Boom	HIT-4464985	173.14
	4446255	060001-	P-UB-10	60 mm	95 mm	Mono Boom, Swing Boom	HIT-4464985-EX	241.19
	4446255	060001-	Wear Ring		95 mm	Mono Boom, Swing Boom	HIT-0667108	9.71
	4458862	060001-	P-UB-10	60 mm	95 mm	Mono Boom, Swing Boom	HIT-4464985	173.14
	4458862	060001-	P-UB-10	60 mm	95 mm	Mono Boom, Swing Boom	HIT-4464985-EX	241.19
	4458862	060001-	Wear Ring		95 mm	Mono Boom, Swing Boom	HIT-0667108	9.71
BLADE	4452571	060001-	P-UB-10	70 mm	120 mm		HIT-4465736	193.29
	4452571	060001-	P-UB-10	70 mm	120 mm		HIT-4465736-EX	304.80
	4452571	060001-	Bushing	70 mm			HIT-0310304	34.45
	4452571	060001-	Wear Ring		120 mm		HIT-0667206	10.79
BOOM	4446254	060001-	P-UB-10	65 mm	115 mm	Mono Boom, Swing Boom	HIT-4464984	217.24
	4446254	060001-	P-UB-10	65 mm	115 mm	Mono Boom, Swing Boom	HIT-4464984-EX	270.81
	4446254	060001-	Bushing	65 mm		Mono Boom, Swing Boom	HIT-0310604	30.52
	4446254	060001-	Wear Ring		115 mm	Mono Boom, Swing Boom	HIT-0686405	10.57
	4612822	060001-	P-UB-10	65 mm	115 mm	Swing Boom	HIT-4464984	217.24
	4612822	060001-	P-UB-10	65 mm	115 mm	Swing Boom	HIT-4464984-EX	270.81
	4612822	060001-	Wear Ring		115 mm	Swing Boom	HIT-0686405	10.57
BUCKET	4446258	060001-	P-UB-10	55 mm	85 mm		HIT-4464986	165.68
	4446258	060001-	P-UB-10	55 mm	85 mm		HIT-4464986-EX	273.69
	4446258	060001-	Wear Ring		85 mm		HIT-0827011	40.04
MODEL ZX80, ZX80LCK, ZX80SB, ZX80SBLC								
ARM	4388224	060001-	P-UB-10	60 mm	95 mm	Offset Boom	HIT-4415584	207.50
	4388224	060001-	P-UB-10	60 mm	95 mm	Offset Boom	HIT-4415584-EX	291.16
	4388224	060001-	Wear Ring		95 mm	Offset Boom	HIT-0333007	32.35
	4446255	060001-	P-UB-10	60 mm	95 mm	Mono Boom, Swing Boom	HIT-4464985	173.14
	4446255	060001-	P-UB-10	60 mm	95 mm	Mono Boom, Swing Boom	HIT-4464985-EX	241.19
	4446255	060001-	Wear Ring		95 mm	Mono Boom, Swing Boom	HIT-0667108	9.71
	4458862	060001-	P-UB-10	60 mm	95 mm	Mono Boom, Swing Boom	HIT-4464985	173.14
	4458862	060001-	P-UB-10	60 mm	95 mm	Mono Boom, Swing Boom	HIT-4464985	173.14

Hercules Sealing Products and original equipment Hitachi kits may not include the necessary wear rings for your cylinder rebuild. Kits with an -EX suffix will include these wear rings.

Please ask your sales representative for a cross-reference if no -EX kit or complementary parts are listed.

Replacement Kits For

HITACHI

Excavators - Compact								
APPLICATION	CYL #	SERIAL #	CODE	ROD	BORE	Misc	KIT #	List \$
MODEL ZX80, ZX80LCK, ZX80SB, ZX80SBLC								
ARM	4458862	060001-	P-UB-10	60 mm	95 mm	Mono Boom, Swing Boom	HIT-4464985-EX	241.19
	4458862	060001-	Wear Ring		95 mm	Mono Boom, Swing Boom	HIT-0667108	9.71
BLADE	4452571	060001-	P-UB-10	70 mm	120 mm		HIT-4465736	193.29
	4452571	060001-	P-UB-10	70 mm	120 mm		HIT-4465736-EX	304.80
	4452571	060001-	Bushing	70 mm			HIT-0310304	34.45
	4452571	060001-	Wear Ring		120 mm		HIT-0667206	10.79
BOOM	4446254	060001-	P-UB-10	65 mm	115 mm	Mono Boom, Swing Boom	HIT-4464984	217.24
	4446254	060001-	P-UB-10	65 mm	115 mm	Mono Boom, Swing Boom	HIT-4464984-EX	270.81
	4446254	060001-	Bushing	65 mm		Mono Boom, Swing Boom	HIT-0310604	30.52
	4446254	060001-	Wear Ring		115 mm	Mono Boom, Swing Boom	HIT-0686405	10.57
	4612822	060001-	P-UB-10	65 mm	115 mm	Swing Boom	HIT-4464984	217.24
	4612822	060001-	P-UB-10	65 mm	115 mm	Swing Boom	HIT-4464984-EX	270.81
	4612822	060001-	Wear Ring		115 mm	Swing Boom	HIT-0686405	10.57
BUCKET	4446258	060001-	P-UB-10	55 mm	85 mm		HIT-4464986	165.68
	4446258	060001-	P-UB-10	55 mm	85 mm		HIT-4464986-EX	273.69
	4446258	060001-	Wear Ring		85 mm		HIT-0827011	40.04
Loaders - Wheel								
APPLICATION	CYL #	SERIAL #	CODE	ROD	BORE	Misc	KIT #	List \$
MODEL LX100								
BOOM	AH143717		P-UB-1	63 mm			HIT-RE25151	175.66
	AH143717		N-N-14		125 mm		HIT-AH137208	210.82
BUCKET	AH136538		P-UB-1	63 mm			HIT-RE25151	175.66
	AH136538		N-N-14		140 mm		HIT-AH137209	233.01
Off-Highway Trucks								
APPLICATION	CYL #	SERIAL #	CODE	ROD	BORE	Misc	KIT #	List \$
MODEL EH1600								
HOIST				4, 7			VME-12619709	1150.10
SUSPENSION REAR			I-UB-11	6	8		EUC-E12631739	1418.04

Hercules Sealing Products and original equipment Hitachi kits may not include the necessary wear rings for your cylinder rebuild.
Kits with an -EX suffix will include these wear rings.

Please ask your sales representative for a cross-reference if no -EX kit or complementary parts are listed.

REPLACEMENT KITS FOR HITACHI

HITACHI

Part Number	Code (Pg. 14)	Rod X Bore Size	List Price
HIT-0654715	P-U-10	60 X 110 mm	\$94.98
HIT-0656604	P-U-10	50 X 100 mm	54.91
HIT-0656714		50 X 80 mm	169.42
HIT-0732708	P-U-10	60 X 105 mm	80.10
HIT-0732808		55 X 85 mm	63.63
HIT-0732905	P-U-10	50 X 80 mm	78.80
HIT-0733003		50 X 90 mm	66.38
HIT-0733106	P-U-10	65 X 110 mm	68.16
HIT-0735309	P-U-10	55 X 95 mm	78.66
HIT-0735609	P-U-10	45 X 75 mm	40.36
HIT-0797805	P-U-10	45 X 80 mm	53.30
HIT-0843613	P-U-10	50 X 80 mm	99.60
HIT-0843808	P-U-10	50 X 100 mm	122.68
HIT-0843907	P-U-10	55 X 100 mm	151.79
HIT-0844705	P-U-10	45 X 75 mm	111.45
HIT-0844807	P-U-10	55 X 95 mm	78.00
HIT-0847204	P-U-10	40 X 75 mm	135.91
HIT-0850309	P-U-10	45 X 80 mm	157.73
HIT-0854418	P-U-10	65 X 110 mm	99.00
HIT-1102306	P-UB-10	80 X 115 mm	167.86
HIT-4064635	I-U-5	90 X 150 mm	262.32
HIT-4064636	I-U-5	95 X 150 mm	408.86
HIT-4071694	I-U-5	70 X 125 mm	212.87
HIT-4094457	P-UB-5	85 X 125 mm	347.20
HIT-4094458	P-UB-5	85 X 125 mm	373.33
HIT-4094852	P-UB-5	110 X 170 mm	803.26
HIT-4096957	P-UB-5	95 X 150 mm	383.12
HIT-4096958	P-UB-5	105 X 150 mm	535.53
HIT-4096959	P-UB-5	105 X 150 mm	605.10
HIT-4096960	P-UB-5	95 X 150 mm	380.99
HIT-4101392	P-UB-5	120 X 190 mm	844.42
HIT-4101442	I-U-5	70 X 120 mm	209.31
HIT-4101443	I-U-5	80 X 130 mm	276.10
HIT-4104127	P-UB-5	90 X 130 mm	445.25
HIT-4117741	P-UB-5	85 X 125 mm	369.74
HIT-4117743	P-UB-5	75 X 125 mm	388.09
HIT-4117745	P-UB-5	95 X 150 mm	456.60
HIT-4117746	P-UB-5	105 X 150 mm	607.70
HIT-4122039	P-UB-5	95 X 150 mm	485.30
HIT-4122040	P-UB-5	105 X 150 mm	631.98

Part Number	Code (Pg. 14)	Rod X Bore Size	List Price
HIT-4124367	P-UB-5	140 X 200 mm	\$1324.20
HIT-4125182	P-UB-5	95 X 150 mm	478.74
HIT-4125183	P-UB-5	105 X 150 mm	837.65
HIT-4144635	P-UB-5	55 X 100 mm	473.13
HIT-4150681	P-UB-5	95 X 150 mm	563.81
HIT-4153203	P-UB-5	85 X 125 mm	520.88
HIT-4153205	P-UB-5	100 X 140 mm	438.59
HIT-4153207	P-UB-5	80 X 125 mm	392.39
HIT-4153209	P-UB-10	90 X 130 mm	282.51
HIT-4153211	P-UB-10	100 X 140 mm	413.90
HIT-4153213	P-UB-10	80 X 125 mm	366.36
HIT-4153235	P-UB-5	110 X 170 mm	819.62
HIT-4153236	P-UB-5	110 X 150 mm	573.21
HIT-4153237	P-UB-5	110 X 170 mm	746.89
HIT-4162026	P-UB-5	110 X 170 mm	869.90
HIT-4162027	P-UB-5	120 X 190 mm	927.85
HIT-4162028	P-UB-5	110 X 170 mm	868.34
HIT-4163569	P-UB-10	105 X 150 mm	339.61
HIT-4163573	P-UB-10	95 X 150 mm	419.23
HIT-4163898	P-U-10	150 X 225 mm	582.46
HIT-4163899	P-U-10	160 X 240 mm	671.46
HIT-4163900	P-U-10	140 X 190 mm	473.60
HIT-4163901	P-U-10	80 X 140 mm	285.22
HIT-4167721	P-UB-10	110 X 170 mm	513.01
HIT-4167722	P-UB-10	110 X 170 mm	503.27
HIT-4167724	P-UB-10	110 X 140 mm	497.19
HIT-4171990	P-UB-10	160 X 240 mm	1242.39
HIT-4171991	P-UB-10	150 X 225 mm	1072.86
HIT-4171992	P-UB-10	140 X 190 mm	735.62
HIT-4171993	P-UB-10	80 X 140 mm	528.01
HIT-4176980	P-UB-10	120 X 190 mm	553.97
HIT-4179470	P-UB-10	95 X 150 mm	419.91
HIT-4203830	P-UB-14	90 X 135 mm	347.54
HIT-4203831	P-UB-14	100 X 145 mm	377.00
HIT-4206018	P-UB-10	85 X 125 mm	302.22
HIT-4206019	P-UB-10	95 X 135 mm	446.34
HIT-4206020	P-UB-10	80 X 120 mm	336.12
HIT-4206340	P-UB-10	70 X 95 mm	236.01
HIT-4206340-EX	P-UB-10	70 X 95 mm	315.62
HIT-4206343	P-UB-10	75 X 105 mm	231.64

REPLACEMENT KITS FOR HITACHI

Part Number	Code (Pg. 14)	Rod X Bore Size	List Price
HIT-4206343-EX	P-UB-10	75 X 105 mm	\$701.28
HIT-4206344	P-UB-10	80 X 115 mm	247.70
HIT-4206345	P-UB-10	65 X 95 mm	204.53
HIT-4206345-EX	P-UB-10	65 X 95 mm	287.85
HIT-4210676	P-UB-10	130 X 225 mm	1226.43
HIT-4214722	P-UB-10	85 X 135 mm	313.83
HIT-4216264P	P-UB-10	85 X 120 mm	384.39
HIT-4221872	P-UB-10	110 X 190 mm	849.07
HIT-4223636	P-UB-10	35 X 65 mm	183.40
HIT-4236057	P-UB-10	115 X 170 mm	530.58
HIT-4236058	P-UB-10	130 X 190 mm	574.31
HIT-42464123	P-U-10	70 X 120 mm	188.91
HIT-4254041	P-UB-10	140 X 200 mm	601.77
HIT-4254042	P-UB-10	150 X 215 mm	690.33
HIT-4255531	P-UB-10	115 X 170 mm	421.70
HIT-4255532	P-UB-10	115 X 150 mm	398.96
HIT-4255533	P-UB-10	65 X 100 mm	165.58
HIT-4256119	P-UB-10	130 X 190 mm	568.43
HIT-4265821	P-UB-10	65 X 115 mm	173.78
HIT-4265822		55 X 90 mm	187.67
HIT-4265823	P-UB-10	50 X 80 mm	203.96
HIT-4265824		60 X 115 mm	187.02
HIT-4266596	P-UB-10	150 X 215 mm	690.33
HIT-4269765	P-U-10	50 X 90 mm	171.67
HIT-4286459	P-UB-10	70 X 105 mm	207.90
HIT-4286459-EX	P-UB-10	70 X 105 mm	686.97
HIT-4286463	P-UB-10	80 X 110 mm	278.57
HIT-4286739	P-UB-10	65 X 95 mm	229.82
HIT-4286739-EX	P-UB-10	65 X 95 mm	429.04
HIT-4286774	P-UB-10	85 X 120 mm	331.94
HIT-4286774-EX	P-UB-10	85 X 120 mm	592.70
HIT-4286780	P-UB-10	95 X 130 mm	343.47
HIT-4286780-EX	P-UB-10	95 X 130 mm	628.91
HIT-4286784	P-UB-10	75 X 110 mm	250.76
HIT-4286784-EX	P-UB-10	75 X 110 mm	593.74
HIT-4291362	P-UB-10	140 X 200 mm	345.99
HIT-4291362-EX	P-UB-10	140 X 200 mm	1321.25
HIT-4291368	P-UB-10	130 X 180 mm	474.06
HIT-4291368-EX	P-UB-10	130 X 180 mm	613.58
HIT-4314461	P-UB-10	80 X 130 mm	200.47

Part Number	Code (Pg. 14)	Rod X Bore Size	List Price
HIT-4314461-EX	P-UB-10	80 X 130 mm	\$357.09
HIT-4320954	P-UB-10	95 X 150 mm	325.15
HIT-4320990	P-UB-10	70 X 105 mm	256.03
HIT-4320993	P-UB-10	80 X 110 mm	189.20
HIT-4320993-EX	P-UB-10	80 X 110 mm	501.10
HIT-4320994	P-UB-10	65 X 95 mm	502.03
HIT-4324009	P-U-10	60 X 110 mm	317.31
HIT-4340243	P-U-10	60 X 110 mm	129.52
HIT-4340250		55 X 90 mm	62.02
HIT-4340253	P-U-10	50 X 80 mm	72.36
HIT-4340256		50 X 90 mm	53.61
HIT-4340274	P-U-10	70 X 110 mm	124.03
HIT-4340620	P-UB-10	115 X 170 mm	698.26
HIT-4340621	P-UB-10	130 X 190 mm	805.09
HIT-4352346	P-U-10	40 X 75 mm	63.87
HIT-4352354	P-U-10	45 X 85 mm	60.86
HIT-4352357	P-U-10	45 X 90 mm	63.16
HIT-4363078	P-U-10	65 X 130 mm	219.59
HIT-4364912	P-UB-10	70 X 105 mm	166.35
HIT-4364912-EX	P-UB-10	70 X 105 mm	286.94
HIT-4364913	P-UB-10	80 X 110 mm	199.30
HIT-4364913-EX	P-UB-10	80 X 110 mm	318.68
HIT-4364914	P-UB-10	65 X 95 mm	502.03
HIT-4364915	P-UB-10	85 X 120 mm	336.26
HIT-4364915-EX	P-UB-10	85 X 120 mm	474.71
HIT-4364916	P-UB-10	95 X 130 mm	424.35
HIT-4364916-EX	P-UB-10	95 X 130 mm	573.48
HIT-4369766	P-UB-10	65 X 95 mm	187.71
HIT-4369766-EX	P-UB-10	65 X 95 mm	298.15
HIT-4369767	P-UB-10	65 X 100 mm	197.18
HIT-4369890	P-UB-10	75 X 110 mm	289.71
HIT-4369890-EX	P-UB-10	75 X 110 mm	490.73
HIT-4369892	P-UB-10	80 X 110 mm	189.20
HIT-4369892-EX	P-UB-10	80 X 110 mm	501.10
HIT-4369893P	P-UB-10	80 X 115 mm	310.66
HIT-4369901	P-UB-10	85 X 120 mm	322.03
HIT-4369902	P-UB-10	85 X 125 mm	514.54
HIT-4369914	P-UB-10	95 X 130 mm	412.00
HIT-4369943	P-UB-10	105 X 145 mm	448.13
HIT-4369943-EX	P-UB-10	105 X 145 mm	536.20

REPLACEMENT KITS FOR HITACHI

HITACHI

Part Number	Code (Pg. 14)	Rod X Bore Size	List Price
HIT-4379260	P-UB-10	70 X 95 mm	\$158.23
HIT-4379260-EX	P-UB-10	70 X 95 mm	274.08
HIT-4379261	P-UB-10	75 X 105 mm	173.89
HIT-4379261-EX	P-UB-10	75 X 105 mm	294.46
HIT-4388027	P-UB-10	70 X 100 mm	547.01
HIT-4389719	P-UB-10	80 X 110 mm	347.54
HIT-4389720	P-UB-10	85 X 115 mm	394.17
HIT-4389721	P-UB-10	75 X 105 mm	256.16
HIT-4405053	P-UB-10	120 X 170 mm	363.98
HIT-4405053-EX	P-UB-10	120 X 170 mm	515.11
HIT-4415584	P-UB-10	60 X 95 mm	207.50
HIT-4415584-EX	P-UB-10	60 X 95 mm	291.16
HIT-4436496	P-UB-10	150 X 215 mm	522.84
HIT-4436496-EX	P-UB-10	150 X 215 mm	1036.60
HIT-4437965	P-UB-10	120 X 180 mm	639.46
HIT-4438672	P-UB-10	115 X 170 mm	611.01
HIT-4438672-EX	P-UB-10	115 X 170 mm	963.32
HIT-4438679	P-UB-10	130 X 190 mm	516.80
HIT-4438679-EX	P-UB-10	130 X 190 mm	937.25
HIT-4438681	P-UB-10	120 X 170 mm	382.62
HIT-4438681-EX	P-UB-10	120 X 170 mm	734.97
HIT-4438684	P-UB-10	140 X 200 mm	766.97
HIT-4438693	P-UB-10	140 X 190 mm	503.25
HIT-4438693-EX	P-UB-10	140 X 190 mm	721.48
HIT-4438758	P-UB-10	115 X 170 mm	421.70
HIT-4448395	P-UB-10	70 X 105 mm	273.75
HIT-4448395-EX	P-UB-10	70 X 105 mm	594.07
HIT-4448396	P-UB-10	80 X 115 mm	330.29
HIT-4448396-EX	P-UB-10	80 X 115 mm	452.39
HIT-4448397	P-UB-10	70 X 100 mm	263.32
HIT-4448397-EX	P-UB-10	70 X 100 mm	463.70
HIT-4448398	P-UB-10	85 X 120 mm	289.45
HIT-4448398-EX	P-UB-10	85 X 120 mm	446.71
HIT-4448399	P-UB-10	95 X 135 mm	364.46
HIT-4448399-EX	P-UB-10	95 X 135 mm	517.89
HIT-4448400	P-UB-10	80 X 115 mm	276.14
HIT-4448400-EX	P-UB-10	80 X 115 mm	480.99
HIT-4464984	P-UB-10	65 X 115 mm	217.24
HIT-4464984-EX	P-UB-10	65 X 115 mm	270.81
HIT-4464985	P-UB-10	60 X 95 mm	173.14

Part Number	Code (Pg. 14)	Rod X Bore Size	List Price
HIT-4464985-EX	P-UB-10	60 X 95 mm	\$241.19
HIT-4464986	P-UB-10	55 X 85 mm	165.68
HIT-4464986-EX	P-UB-10	55 X 85 mm	273.69
HIT-4465632	P-UB-10	180 X 260 mm	2656.88
HIT-4465638	P-UB-10	160 X 230 mm	1194.45
HIT-4465641	P-UB-10	160 X 230 mm	993.73
HIT-4465644	P-UB-10	170 X 240 mm	1893.86
HIT-4465647	P-UB-10	150 X 215 mm	865.96
HIT-4465650	P-UB-10	150 X 200 mm	697.93
HIT-4465653	P-UB-10	85 X 140 mm	351.42
HIT-4465736	P-UB-10	70 X 120 mm	193.29
HIT-4465736-EX	P-UB-10	70 X 120 mm	304.80
HIT-4467379	P-UB-10	80 X 110 mm	360.70
HIT-4467380	P-UB-10	90 X 120 mm	390.70
HIT-4467381	P-UB-10	75 X 105 mm	268.94
HIT-4474521	P-UB-10	160 X 225 mm	403.18
HIT-4474521-EX	P-UB-10	160 X 225 mm	963.50
HIT-4477841	P-UB-10	100 X 135 mm	481.32
HIT-4477841-EX	P-UB-10	100 X 135 mm	634.73
HIT-4485612	P-UB-14	90 X 125 mm	178.30
HIT-4485612-EX	P-UB-14	90 X 125 mm	452.96
HIT-4485613	P-UB-14	105 X 140 mm	255.31
HIT-4485613-EX	P-UB-14	105 X 140 mm	439.90
HIT-4485614	P-UB-14	90 X 130 mm	200.89
HIT-4485614-EX	P-UB-14	90 X 130 mm	414.94
HIT-4485615	P-UB-14	95 X 135 mm	238.60
HIT-4485615-EX	P-UB-14	95 X 135 mm	423.94
HIT-4509364	P-U-5	110 X 180 mm	751.60
HIT-4509365	P-U-5	120 X 180 mm	760.71
HIT-4614056	P-U-10	45 X 80 mm	66.79
HIT-4614058	P-U-10	40 X 65 mm	202.65
HIT-4614059	P-U-10	45 X 85 mm	204.03
HIT-4614060	P-U-10	45 X 90 mm	79.02
HIT-4614061	P-U-10	45 X 85 mm	115.69
HIT-4614062	P-U-10	40 X 70 mm	92.47
HIT-4614069	P-U-10	45 X 75 mm	132.82
HIT-4620533	P-UB-10	160 X 230 mm	993.73
HIT-4622066	P-U-14	45 X 95 mm	230.90
HIT-4622067	P-U-14	50 X 105 mm	198.73
HIT-4624394	P-UB-10	90 X 125 mm	309.81

REPLACEMENT KITS FOR HITACHI

Part Number	Code (Pg. 14)	Rod X Bore Size	List Price
HIT-4624394-EX	P-UB-10	90 X 125 mm	\$484.07
HIT-4627361	P-UB-10	90 X 130 mm	130.32
HIT-4627361-EX	P-UB-10	90 X 130 mm	283.32
HIT-4631062	P-UB-10	105 X 140 mm	372.82
HIT-4631062-EX	P-UB-10	105 X 140 mm	570.90
HIT-4634033	P-U-10	50 X 85 mm	171.93
HIT-4634034	P-U-10	45 X 75 mm	157.71
HIT-4634035	P-UB-14	55 X 90 mm	75.91
HIT-4634036	P-U-10	50 X 80 mm	161.19
HIT-4634037		40 X 70 mm	62.66
HIT-4634038		55 X 95 mm	93.84
HIT-4635157		50 X 90 mm	64.77
HIT-4639936	P-UB-10	95 X 135 mm	405.61
HIT-4639936-EX	P-UB-10	95 X 135 mm	559.02
HIT-4639938	P-UB-10	100 X 145 mm	391.15
HIT-4639939	P-UB-10	90 X 135 mm	467.50
HIT-4639939-EX	P-UB-10	90 X 135 mm	524.55
HIT-4640107	P-UB-14	105 X 150 mm	845.58
HIT-4640108	P-UB-14	95 X 145 mm	739.18
HIT-4640118	P-UB-14	115 X 170 mm	643.80
HIT-4649049	P-UB-10	100 X 145 mm	335.54
HIT-4649049-EX	P-UB-10	100 X 145 mm	556.70
HIT-4649050	P-UB-10	100 X 140 mm	413.91
HIT-4649050-EX	P-UB-10	100 X 140 mm	575.05
HIT-4649051	P-UB-10	115 X 170 mm	345.75
HIT-4649051-EX	P-UB-10	115 X 170 mm	587.87
HIT-4649053	P-UB-10	95 X 140 mm	298.82
HIT-4649053-EX	P-UB-10	95 X 140 mm	459.97
HIT-4649745	P-UB-14	95 X 135 mm	267.13
HIT-4649751	P-UB-14	90 X 135 mm	272.55
HIT-4649752	P-UB-14	105 X 150 mm	373.87
HIT-4650419	P-UB-10	90 X 125 mm	309.81
HIT-4650419-EX	P-UB-10	90 X 125 mm	484.07
HIT-4650433	P-UB-10	90 X 130 mm	257.83
HIT-4650433-EX	P-UB-10	90 X 130 mm	410.83
HIT-4652138	P-U-10	35 X 55 mm	107.29
HIT-4652139	P-U-10	40 X 75 mm	105.22
HIT-4652380	P-U-10	50 X 80 mm	142.80
HIT-4652380-EX	P-U-10	50 X 80 mm	181.98
HIT-4652906	P-UB-10	130 X 180 mm	171.14

Part Number	Code (Pg. 14)	Rod X Bore Size	List Price
HIT-4653040	P-UB-10	115 X 170 mm	\$370.59
HIT-4653040-EX	P-UB-10	115 X 170 mm	612.72
HIT-4653041	P-UB-10	130 X 190 mm	433.89
HIT-4653041-EX	P-UB-10	130 X 190 mm	735.34
HIT-4653042	P-UB-10	120 X 170 mm	196.34
HIT-4653042-EX	P-UB-10	120 X 170 mm	433.79
HIT-4653861	P-UB-10	150 X 215 mm	527.49
HIT-4653861-EX	P-UB-10	150 X 215 mm	1041.26
HIT-4653862	P-UB-10	160 X 225 mm	403.18
HIT-4653862-EX	P-UB-10	160 X 225 mm	963.50
HIT-4653863	P-UB-10	140 X 200 mm	345.99
HIT-4653863-EX	P-UB-10	140 X 200 mm	653.04
HIT-4654421	P-UB-10	85 X 120 mm	325.29
HIT-4654422	P-UB-10	95 X 135 mm	364.46
HIT-4654422-EX	P-UB-10	95 X 135 mm	517.89
HIT-4656428	P-U-10	45 X 80 mm	101.05
HIT-4657449	P-UB-10	90 X 120 mm	383.33
HIT-4657449-EX	P-UB-10	90 X 120 mm	465.17
HIT-4660036	P-UB-10	140 X 200 mm	766.97
HIT-4660108	P-UB-10	120 X 180 mm	639.46
HIT-4660159	P-UB-10	150 X 200 mm	697.93
HIT-4660466	P-UB-10	150 X 215 mm	865.96
HIT-4660647	P-UB-10	160 X 230 mm	993.73
HIT-4660653	P-UB-10	160 X 230 mm	1194.45
HIT-4660664	P-UB-10	170 X 240 mm	1893.86
HIT-4660795	P-UB-10	180 X 260 mm	2656.88
HIT-4661485	P-UB-10	85 X 120 mm	289.45
HIT-4661485-EX	P-UB-10	85 X 120 mm	480.99
HIT-4662066-EX	P-UB-10	90 X 130 mm	410.83
HIT-4662069	P-UB-10	90 X 125 mm	309.81
HIT-4662069-EX	P-UB-10	90 X 125 mm	484.07
HIT-4662888	P-UB-10	90 X 120 mm	390.70
HIT-4662888-EX	P-UB-10	90 X 120 mm	465.17
HIT-4662891	P-UB-10	80 X 110 mm	325.64
HIT-4662891-EX	P-UB-10	80 X 110 mm	434.35
HIT-4662894	P-UB-10	65 X 95 mm	131.36
HIT-4662894-EX	P-UB-10	65 X 95 mm	247.18
HIT-4662895	P-UB-10	70 X 105 mm	273.75
HIT-4662895-EX	P-UB-10	70 X 105 mm	594.07
HIT-4663491	P-UB-10	65 X 115 mm	361.42

REPLACEMENT KITS FOR HITACHI

HITACHI

Part Number	Code (Pg. 14)	Rod X Bore Size	List Price
HIT-4663491-EX	P-UB-10	65 X 115 mm	\$397.19
HIT-4663493-EX	P-UB-10	75 X 105 mm	336.49
HIT-4663496	P-UB-10	70 X 100 mm	151.54
HIT-4663496-EX	P-UB-10	70 X 100 mm	288.75
HIT-4667663	P-UB-10	90 X 125 mm	137.21
HIT-4669905	P-UB-10	80 X 115 mm	183.35
HIT-4669905-EX	P-UB-10	80 X 115 mm	255.28
HIT-4670538	P-UB-10	85 X 140 mm	351.42
HIT-4672004	P-UB-10	100 X 135 mm	207.65
HIT-4681367	P-UB-10	60 X 105 mm	150.23
HIT-4681368	P-UB-10	55 X 85 mm	158.85
HIT-4681369	P-UB-10	50 X 80 mm	142.60
HIT-4686432	P-UB-10	115 X 170 mm	624.26
HIT-4687559	P-U-10	60 X 110 mm	291.04
HIT-4687559-EX	P-U-10	60 X 110 mm	326.81
HIT-4687560	P-U-10	55 X 90 mm	251.08
HIT-4687560-EX	P-U-10	55 X 90 mm	264.66
HIT-4687561	P-U-10	55 X 95 mm	219.14
HIT-4687561-EX	P-U-10	55 X 95 mm	267.89
HIT-4692136	P-UB-10	120 X 180 mm	707.63
HIT-4699081	P-UB-10	180 X 260 mm	1454.66
HIT-4699085	P-UB-10	160 X 230 mm	1021.37
HIT-4699758	P-UB-10	160 X 230 mm	779.77
HIT-4700430	P-UB-10	130 mm X 190 mm	434.39
HIT-4704455	P-U-10	45 X 75 mm	102.52
HIT-4705345		50 X 90 mm	187.33
HIT-4S00715	P-UB-10	90 X 125 mm	192.22
HIT-4S00783	P-UB-10	100 X 145 mm	341.87
HIT-4S00783-EX	P-UB-10	100 X 145 mm	556.70
HIT-4S00834	P-UB-10	80 X 115 mm	130.68
HIT-4S00849	P-UB-10	70 X 100 mm	151.54
HIT-4S00849-EX	P-UB-10	70 X 100 mm	288.75
HIT-4S00930-EX	P-UB-10	115 X 170 mm	582.58
HIT-4S00959	P-UB-10	120 X 170 mm	196.34
HIT-4S00959-EX	P-UB-10	120 X 170 mm	433.79
HIT-4S00960	P-UB-10	130 X 190 mm	570.16
HIT-4S00960-EX	P-UB-10	130 X 190 mm	898.35
HIT-4S00961	P-UB-10	115 X 170 mm	377.59
HIT-4S00961-EX	P-UB-10	115 X 170 mm	612.72
HIT-9078843	P-UB-14	95 X 145 mm	370.81

Part Number	Code (Pg. 14)	Rod X Bore Size	List Price
HIT-9078844	P-UB-14	105 X 150 mm	\$554.98
HIT-9078845	P-UB-14	100 X 145 mm	377.00
HIT-9078846	P-UB-14	110 X 165 mm	544.66
HIT-9103842	P-UB-10	90 X 125 mm	308.48
HIT-9103843	P-UB-14	100 X 135 mm	404.08
HIT-9103844	P-UB-10	85 X 125 mm	311.15
HIT-9123264	P-UB-14	110 X 165 mm	303.44
HIT-9123265	P-UB-14	95 X 145 mm	240.97
HIT-9156441	P-UB-14	100 X 135 mm	268.69
HIT-9175562	P-UB-14	100 X 145 mm	322.17
HIT-9175563	P-UB-14	110 X 165 mm	392.00
HIT-9175564	P-UB-14	95 X 145 mm	272.44
HIT-9175564-EX	P-UB-14	95 X 145 mm	465.91
HIT-9178283	P-UB-14	90 X 125 mm	235.94
HIT-9178283-EX	P-UB-14	90 X 125 mm	751.63
HIT-9178284	P-UB-14	100 X 135 mm	314.60
HIT-9178284-EX	P-UB-14	100 X 135 mm	662.94
HIT-9178294	P-UB-14	85 X 125 mm	246.99
HIT-9178294-EX	P-UB-14	85 X 125 mm	764.72
HIT-9180579	P-UB-14	100 X 145 mm	335.55
HIT-9180579-EX	P-UB-14	100 X 145 mm	527.81
HIT-9180580	P-UB-14	90 X 135 mm	269.88
HIT-9180580-EX	P-UB-14	90 X 135 mm	455.17
HIT-9180581	P-UB-14	105 X 150 mm	459.54
HIT-9180581-EX	P-UB-14	105 X 150 mm	664.05
HIT-9180582	P-UB-14	115 X 170 mm	401.13
HIT-9180582-EX	P-UB-14	115 X 170 mm	688.87
HIT-9180587	P-UB-14	95 X 135 mm	295.67
HIT-9207059	P-UB-14	105 X 140 mm	255.31
HIT-9207059-EX	P-UB-14	105 X 140 mm	439.90
HIT-AH137208	N-N-14	125 mm bore	210.82
HIT-AH137209	N-N-14	140 mm bore	233.01
HIT-AH173451	P-UB-10	80 X 115 mm	281.01
HIT-AH225135	P-UB-10	95 X 135 mm	562.50
HIT-AH225136	P-UB-10	85 X 120 mm	325.29
HIT-AH225136-EX	P-UB-10	85 X 120 mm	419.60
HIT-AH225137	P-UB-10	80 X 115 mm	167.86
HIT-AT196469	P-UB-10	65 X 95 mm	502.03
HIT-AT196470	P-UB-10	70 X 105 mm	256.03
HIT-AT339879	I-U-10	2-1/2 X 4	57.32

REPLACEMENT KITS FOR HITACHI

Part Number	Code (Pg. 14)	Rod X Bore Size	List Price
HIT-AT343210	I-U-5	1-1/4 X 2	\$28.17
HIT-AT383285	I-UB-14	3 X 5	426.20
HIT-FXB00001834	P-UB-14	85 X 130 mm	292.32
HIT-FYA00001393	P-UB-10	80 X 115 mm	130.68
HIT-FYA00001395	P-UB-10	80 X 115 mm	115.33
HIT-FYA00001398	P-UB-10	95 X 140 mm	201.19
HIT-FYA00001398-EX	P-UB-10	95 X 140 mm	374.06
HIT-FYA00006591	P-UB-10	100 X 140 mm	220.01
HIT-FYA00006594	P-UB-10	105 X 150 mm	321.02
HIT-FYA00006596	P-UB-10	100 X 145 mm	199.61
HIT-FYA00008675	P-UB-10	105 X 150 mm	386.55
HIT-FYA00008823	P-UB-10	95 X 135 mm	252.17
HIT-FYA00008826	P-UB-10	90 X 135 mm	286.23
HIT-FYA00008837	P-UB-10	115 X 170 mm	704.85
HIT-FYA00008840	P-UB-10	100 X 145 mm	634.14
HIT-FYA00008843	P-UB-10	95 X 140 mm	593.45
HIT-FYA00009240	P-UB-10	70 X 105 mm	117.17
HIT-FYA00010733	P-UB-14	105 X 150 mm	367.91
HIT-FYA00010734	P-UB-14	95 X 135 mm	239.99
HIT-FYA00010735	P-UB-14	90 X 135 mm	290.85
HIT-FYA00011420	P-UB-10	70 X 100 mm	101.04

Part Number	Code (Pg. 14)	Rod X Bore Size	List Price
HIT-FYA00012899	P-UB-10	70 X 105 mm	\$319.38
HIT-FYA00012900	P-UB-10	80 X 115 mm	292.20
HIT-FYA00012901	P-UB-10	70 X 100 mm	371.71
HIT-FYA00012902	P-UB-10	80 X 110 mm	430.07
HIT-FYA00012903	P-UB-10	90 X 120 mm	562.42
HIT-FYA00012904	P-UB-10	75 X 105 mm	409.52
HIT-FYA00012905	P-UB-10	85 X 120 mm	376.95
HIT-FYA00012906	P-UB-10	90 X 125 mm	506.69
HIT-FYA00012907	P-UB-10	75 X 105 mm	302.38
HIT-FYD00000078	P-UB-10	55 X 85 mm	107.00
HIT-FYD00000085	P-UB-10	60 X 110 mm	573.24
HIT-FYD00000086	P-UB-10	55 X 90 mm	539.87
HIT-FYD00000087	P-UB-10	50 X 80 mm	496.05
HIT-FYD00003885	P-U-10	30 mm X 60 mm	81.55
HIT-FYD00006230	P-UB-10	60 X 95 mm	131.88
HIT-FYD00006231	P-UB-10	65 X 115 mm	376.98
HIT-RE25151	P-UB-1	63 mm rod	175.66
HIT-XB00004811	P-UB-10	85 mm X 130 mm	119.92
HIT-XB00006194	P-UB-10	85 mm X 150 mm	126.59
HIT-XB00006216	P-UB-10	75 mm X 125 mm	84.87

REPLACEMENT PARTS FOR HITACHI EQUIPMENT

Repair parts for Hitachi are available online at www.HerculesUS.com or by contacting the Hercules Sales Team at the information provided below.

Scan the QR code for quick access.



HOOD

HOOD

Replacement Kits For

Forestry - Log Loaders							
APPLICATION	CYL #	SERIAL #	CODE	ROD	BORE	KIT #	List \$
MODEL 7000							
BOOM LIFT	1600-		I-U-4,14	2-1/2	6	HOOD-760408	217.61
	500-; 020-	Yr. 1980-	I-UB-10	2-1/2	6	HOOD-760430	139.11
JIB BOOM	1500-		I-U-14	2-1/2	5	HOOD-760404	151.48
	500-; 020-	Yr. 1980-	I-UB-10	2-1/2	5	HOOD-760428	130.45
STABILIZER			I-U-4	2	3	HOOD-760056	37.27

REPLACEMENT KITS FOR HOOD

Kit Number	Code (Pg. 14)	Rod x Bore Size	List Price
HOOD-760056	I-U-4	2 X 3	\$37.27
HOOD-760220	I-U-14	2-1/2 X 5	151.48
HOOD-760224	I-U-4,14	2-1/2 X 6	217.61
HOOD-760404	I-U-14	2-1/2 X 5	151.48
HOOD-760408	I-U-4,14	2-1/2 X 6	217.61
HOOD-760428	I-UB-10	2-1/2 X 5	130.45
HOOD-760430	I-UB-10	2-1/2 X 6	139.11

HUSKY BRUTE

Repair parts for Husky Brute are available online at www.HerculesUS.com or by contacting the Hercules Sales Team at the information provided below.

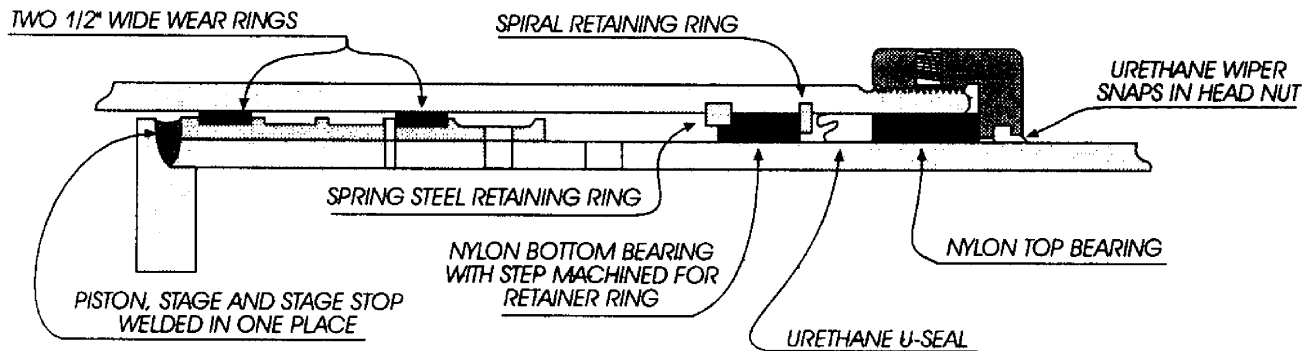
HYCO TELESCOPIC CYLINDERS

IMPORTANT NOTE

When ordering hyco telescopic parts it is helpful to provide a model number and serial number. The serial number is stamped into the base of the cylinder body or is just above the cylinder port. The serial number is the first four or five digits of the number. The last three or four digits indicate the date of manufacture.

EXAMPLE 12345 10 93
 SERIAL # MONTH YEAR

70,000 SERIES SINGLE ACTING



70,000 SERIES SINGLE ACTING

- PACKING:** Normally uses urethane u-seals, but may be retrofitted with vee packing. All sizes 1/4" c.s.
Note: Hyco 70000 series urethane u-seals are intentionally oversized by design and will appear larger than normal.
- WIPERS:** Urethane snap-in type.
- BEARINGS:** Nylon bearings. Outer bearing is flat on the top and bottom. Inner bearing is "trapped" between two retainers. The bottom side of the inner bearing is "step-cut" on the o.d. to pilot over snap ring. c/s = .245"
- PISTON:** Welded to stage. Uses 2 replaceable wear rings per stage.
- STAGE O.D.'s:** 3", 4", 5", 6", 7", 8-1/8", 9-3/8"
- SPECIAL INFO.:** Spring steel type snap ring serves as internal stop. Uses a spiral retainer to "trap" lower bearing.
- IDENTIFICATION:** Cylinder model number and serial number stamped on cylinder body near base of cylinder.
Ex: 70000-815-180D

70,000 Series single action cylinders are manufactured to use urethane u-seals but may be retrofitted with a vee packing set if desired. We stock both types of packing for your convenience.

70,000 SERIES SINGLE ACTING PACKING SETS

Hercules Sealing Products offers two types of packing for Hyco 70,000 series cylinders. Type 1 kits are identical to the original Hyco packing sets and utilize Parker u-seals. Type 2 kits contain a vee packing set retrofit for the original u-seal packing. The vee packing can be more effective in sealing an older cylinder with abrasive scoring or other surface blemishes.

HYCO TELESCOPIC CYLINDERS

70,000 SERIES CYLINDERS WITH K STYLE WIPER

Part Number	Description	List Price
TYPE 1: U-SEALS, WIPERS, NYLON BEARINGS AND RETAINER KITS		
HY-034-00070-300	3" Pack Kit	\$119.61
HY-034-00070-400	4" Pack Kit	154.51
HY-034-00070-500	5" Pack Kit	175.11
HY-034-00070-600	6" Pack Kit	198.43
HY-034-00070-700	7" Pack Kit	228.02
HY-034-00070-812	8-1/8" Pack Kit	390.54
HY-034-00070-938	9-3/8" Pack Kit	530.34
MULTIPLE STAGE KITS		
HY-034-00070-46	4 - 6"	\$527.23
HY-034-00070-47	4 - 7"	722.65
HY-034-00070-48-1/8	4 - 8-1/8"	1100.76
HY-034-00070-49-3/8	4 - 9-3/8"	1650.13
HY-034-00070-57	5 - 7"	582.14
HY-034-00070-58-1/8	5 - 8-1/8"	955.36

Part Number	Description	List Price
TYPE 2: OPTIONAL VEE SETS, WIPERS, NYLON BEARINGS AND RETAINER KITS		
HY-034-00072-300	3" Pack Kit	\$103.10
HY-034-00072-400	4" Pack Kit	136.55
HY-034-00072-500	5" Pack Kit	162.23
HY-034-00072-600	6" Pack Kit	183.96
HY-034-00072-700	7" Pack Kit	207.20
HY-034-00072-812	8-1/8" Pack Kit	360.93
HY-034-00072-938	9-3/8" Pack Kit	465.38
MULTIPLE STAGE KITS		
HY-034-00072-46	4" - 6"	\$475.90
HY-034-00072-47	4" - 7"	680.44
HY-034-00072-48-1/8	4" - 8-1/8"	1105.71
HY-034-00072-49-3/8	4" - 9-3/8"	1710.19
HY-034-00072-57	5" - 7"	550.91
HY-034-00072-58-1/8	5" - 8-1/8"	870.31

70,000 SERIES CYLINDERS

Part Number	Description	List Price
TYPE 1: U-SEALS, WIPERS, NYLON BEARINGS AND RETAINER KITS		
HY-B15252-300	3" Pack Kit	\$105.69
HY-B15252-400	4" Pack Kit	132.08
HY-B15252-600	6" Pack Kit	166.94
HY-B15252-700	7" Pack Kit	193.92
HY-B15252-812	8-1/8" Pack Kit	325.84
HY-B15252-938	9-3/8" Pack Kit	461.84
MULTIPLE STAGE KITS		
HY-B15252-46	4" - 6"	\$446.12
HY-B15252-47	4" - 7"	607.49
HY-B15252-48-1/8	4" - 8-1/8"	937.32
HY-B15252-49-3/8	4" - 9-3/8"	1483.87
HY-B15252-500	5" Pack Kit	146.99
HY-B15252-57	5" - 7"	488.53
HY-B15252-58-1/8	5" - 8-1/8"	802.28

Part Number	Description	List Price
TYPE 2: OPTIONAL VEE SETS, WIPERS, NYLON BEARINGS AND RETAINER KITS		
HY-B15255-300	3" Pack Kit	\$89.17
HY-B15255-400	4" Pack Kit	115.02
HY-B15255-500	5" Pack Kit	134.14
HY-B15255-600	6" Pack Kit	152.51
HY-B15255-700	7" Pack Kit	173.19
HY-B15255-812	8-1/8" Pack Kit	297.44
HY-B15255-938	9-3/8" Pack Kit	389.75
MULTIPLE STAGE KITS		
HY-B15255-46	4" - 6"	\$394.73
HY-B15255-47	4" - 7"	565.24
HY-B15255-48-1/8	4" - 8-1/8"	940.59
HY-B15255-49-3/8	4" - 9-3/8"	1262.00
HY-B15255-57	5" - 7"	457.23
HY-B15255-58-1/8	5" - 8-1/8"	728.70

HYCO TELESCOPIC CYLINDERS

70,000 SERIES CYLINDERS INDIVIDUAL PARTS

Part Number	Description	List Price
RETAINER RINGS		
HY-083-50002-00350	3" Retainer Ring	\$40.91
HY-083-50002-00450	4" Retainer Ring	48.49
HY-B9971-5.5	5" Retainer Ring	83.64
HY-B9971-6.5	6" Retainer Ring	108.57
HY-B9971-7.5	7" Retainer Ring	109.80
HY-B9971-988	9-3/8" Retainer Ring	217.86
PISTON WEAR RINGS		
HY-10764-300	3-1/2" Nylon Piston Wear Ring	\$6.40
HY-10764-400	4-1/2" Nylon Piston Wear Ring	6.85
HY-10764-500	5-1/2" Nylon Piston Wear Ring	6.85
HY-10764-600	6-1/2" Nylon Piston Wear Ring	8.97
HY-10764-700	7-1/2" Nylon Piston Wear Ring	8.97
HY-10764-812	8-5/8" Nylon Piston Wear Ring	16.11
HY-10764-938	9-7/8" Nylon Piston Wear Ring	30.27
MISCELLANEOUS PARTS		
HY-A20419	Set Screw for Headnut	\$1.86
HY-A20420	Nylon Slug for Headnut	0.96
HY-A2688	Manual Bleeder Valve (Min Pack 3)	7.17
INDIVIDUAL WIPERS		
HY-080-0005-300	3" Wiper	\$15.32
HY-080-0005-400	4" Wiper	23.68
HY-080-0005-500	5" Wiper	30.88
HY-080-0005-600	6" Wiper	34.52
HY-080-0005-700	7" Wiper	37.40
HY-080-0005-800	8" Wiper	82.13
HY-080-0005-812	8-1/8" Wiper	70.98
HY-080-0005-912	9-1/8" Wiper	123.70
MULTIPLE STAGE WIPER KITS		
HY-080-0005-46	4" - 6"	\$87.20
HY-080-0005-47	4" - 7"	122.45
HY-080-0005-48-1/8	4" - 7" & 8-1/8"	189.49
HY-080-0005-49-1/8	4" - 8" & 9-1/8"	308.97
HY-080-0005-49-3/8	4" - 7", 8-1/8" & 9-3/8"	309.12
HY-080-0005-57	5" - 7"	100.15
HY-080-0005-58-1/8	5" - 7" & 8-1/8"	167.17
CAUTION: Getting the correct Hyco headnut can be a problem. If you are unsure, call our sales department. Headnuts are measured at the I.D. of the wiper.		

Part Number	Description	List Price
BEARINGS		
HY-B12075-3	3" Bearing	\$21.70
HY-B12075-4	4" Bearing	21.49
HY-B12075-5	5" Bearing	22.64
HY-B12075-6	6" Bearing	26.76
HY-B12075-7	7" Bearing	29.42
HY-B12075-8	8" Bearing	35.64
HY-B12075-8.12	8-1/8" Bearing	114.25
HY-B12075-9.12	9-1/8" Bearing	119.44
HY-B12075-9.38	9-3/8" Bearing	106.09
U-SEALS		
HY-085-00001-0300	3" U-SEAL	\$56.87
HY-085-00001-0400	4" U-SEAL	70.43
HY-085-00001-0500	5" U-SEAL	76.85
HY-085-00001-0600	6" U-SEAL	84.33
HY-085-00001-0700	7" U-SEAL	122.82
HY-085-00001-0812	8-1/8" U-SEAL	142.11
HY-085-00001-0938	9-3/8" U-SEAL	191.71
HEAD NUTS		
HY-011-39005W00125	3" Headnut, wiper included	\$117.65
HY-011-49007W00125	4" Headnut, wiper included	118.57
HY-011-59006W00125	5" Headnut, wiper included	130.82
HY-011-69005W00125	6" Headnut, wiper included	232.60
HY-011-79007W00125	7" Headnut, wiper included	201.66
HY-011-93002W00125	8-1/8" Headnut, wiper included	347.57

Note: Hyco 70000 series urethane u-seals are intentionally oversized by design and will appear larger than normal.

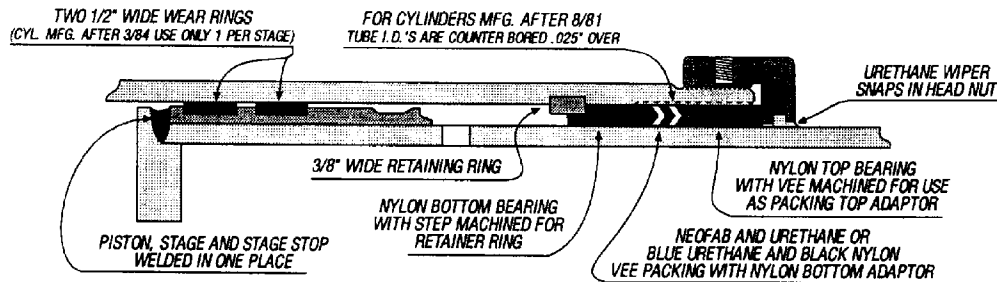
HYCO TELESCOPIC CYLINDERS

IMPORTANT NOTE

When ordering hyco telescopic parts it is helpful to provide a model number and serial number. The serial number is stamped into the base of the cylinder body or is just above the cylinder port. The serial number is the first four or five digits of the number. The last three or four digits indicate the date of manufacture.

EXAMPLE 12345 10 93
SERIAL # MONTH YEAR

30,000 SERIES SINGLE ACTING MANUFACTURED AFTER AUGUST 1, 1981



- PACKING:** Vee packing. Outer bearing serves as top adapter for vee set. Note: Packing area is .025" over nominal bore. There is a "step" above the retainer ring groove where the bore dimension returns to nominal size.
- WIPERS:** Urethane snap-in type.
- BEARINGS:** Glass filled nylon. Outer bearing serves as top adapter for vee set. Inner bearing is "step cut" on o.d. to pilot over snap ring.
- PISTON:** Welded to stage. Uses 1/2" wide replaceable wear rings as bearings. Cylinders manufactured 3/84 and before uses 2 wear rings per stage. Cylinders manufactured after 3/84 use 1 per stage.
- STAGE O.D.'s:** 3", 4", 5", 6", 7", 8", 8-1/8", 8-1/4", 9-1/8", 9-3/8"
- SPECIAL INFO.:** Packing area bore diameter is .025" over nominal dimension. 3/8" thick spring steel snap ring serves as internal stop.
- IDENTIFICATION:** Cylinder model number and serial number stamped on cylinder body near base of cylinder.
Ex: 30001-85-220

The plungers and cylinder tube assembly have a "step" on the inside diameter above retaining ring groove. As a result packing surface is .025" over the plunger base I.D.. Pack sets contain wiper, vee packing, glass filled nylon top & bottom bearings, retainer rings are 3/8" wide, piston guide rings 1/2" wide, cylinders manufactured after 3/84 may only use one wear ring per stage.

Part Number	Description	List Price
VEE PACKING, AND WIPER KITS		
HY-14750-300VSW	3" Packing & Wiper Kit	\$32.25
HY-14750-400VSW	4" Packing & Wiper Kit	39.87
HY-14750-500VSW	5" Packing & Wiper Kit	45.20
HY-14750-600VSW	6" Packing & Wiper Kit	57.48
HY-14750-700VSW	7" Packing & Wiper Kit	77.99
HY-14750-800VSW	8" Packing & Wiper Kit	94.26
HY-14750-812VSW	8-1/8" Packing & Wiper Kit	150.11
HY-14750-912VSW	9-1/8" Packing & Wiper Kit	174.06

Part Number	Description	List Price
VEE PACKING, BUSHING AND WIPER KITS		
HY-14750-300	3" Pack Kit	\$101.45
HY-14750-400	4" Pack Kit	102.22
HY-14750-500	5" Pack Kit	117.67
HY-14750-600	6" Pack Kit	128.48
HY-14750-700	7" Pack Kit	158.94
HY-14750-800	8" Pack Kit	180.35
HY-14750-812	8-1/8" Pack Kit	238.39
HY-14750-825	8-1/4" Pack Kit	540.68
HY-14750-912	9-1/8" Pack Kit	360.53
HY-14750-938	9-3/8" Pack Kit	340.99

HYCO TELESCOPIC CYLINDERS

30,000 SERIES CYLINDERS INDIVIDUAL PARTS

Part Number	Description	List Price
VEE PACKING, BUSHING AND WIPER KITS		
HY-14750-46	4 - 6" Pack Kit	\$236.75
HY-14750-47	4 - 7" Pack Kit	382.69
HY-14750-48	4 - 8" Pack Kit	688.44
HY-14750-482	4 - 8-1/4" Pack Kit	878.32
HY-14750-57	5 - 7" Pack Kit	410.58
HY-14750-58	5 - 8" Pack Kit	606.67
MAJOR REPAIR KITS		
Contain vee packing, bushings, wear rings, retainer rings and wipers.		
HY-MRK-14750-46	4" - 6"	\$518.78
HY-MRK-14750-47	4" - 7"	758.80
HY-MRK-14750-48	4" - 8"	1049.62
RETAINER RINGS		
HY-B9971-3.5	3" Retainer Ring	\$87.18
HY-B9971-4.5	4" Retainer Ring	74.62
HY-B9971-5.5	5" Retainer Ring	83.64
HY-B9971-6.5	6" Retainer Ring	108.57
HY-B9971-7.5	7" Retainer Ring	109.80
HY-B9971-8.5	8" Retainer Ring	110.16
HY-B9971-900	8-1/4" Retainer Ring	398.54
HY-B9971-962	9-1/8" Retainer Ring	277.95
HY-B9971-988	9-3/8" Retainer Ring	217.86

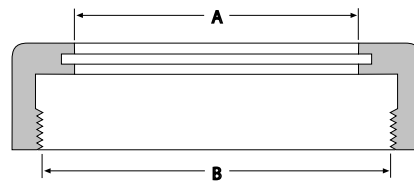
PISTON WEAR RINGS		
HY-10764-300	3-1/2" Nylon Piston Wear Ring	\$6.40
HY-10764-400	4-1/2" Nylon Piston Wear Ring	6.85
HY-10764-500	5-1/2" Nylon Piston Wear Ring	6.85
HY-10764-600	6-1/2" Nylon Piston Wear Ring	8.97
HY-10764-700	7-1/2" Nylon Piston Wear Ring	8.97
HY-10764-800	8-1/2" Nylon Piston Wear Ring	10.81
HY-10764-812	8-5/8" Nylon Piston Wear Ring	16.11
HY-10764-825	9" Nylon Piston Wear Ring	17.30
HY-10764-900	9-3/4" Nylon Piston Wear Ring	35.62
HY-10764-938	9-7/8" Nylon Piston Wear Ring	30.27

PISTON WEAR RING KITS		
HY-10764-46	4-1/2" - 6-1/2" Kit (1 ea. size)	\$32.59
HY-10764-47	4-1/2" - 7-1/2" Kit (1 ea. size)	44.46
HY-10764-48	4-1/2" - 8-1/2" Kit (1 ea. size)	58.97
HY-10764-48.2	4-1/2" - 9" Kit (1 ea. size)	59.60
HY-10764-49	4-1/2" - 9-3/4" Kit (1 ea. size)	82.59
HY-10764-57	5-1/2" - 7-1/2" Kit (1 ea. size)	34.05
HY-10764-58	5-1/2" - 8-1/2" Kit (1 ea. size)	48.53

Part Number	Description	List Price
MISCELLANEOUS PARTS		
HY-ABV103	Automatic Bleeder Valve with S.A.E. O-Ring Seals (For cylinders MFG after 1-1-88). SAE type seal 5/8-18 UNF thread	\$270.90
HY-A20419	Set Screw for Headnut	1.86
HY-A20420	Nylon Slug for Headnut	0.96
HY-A20866	Nylon Slug & Set Screw	4.01

HEADNUTS

CAUTION: Getting the correct Hyco headnut can be a problem. If you are unsure, call our sales department. Headnuts are measured at the I.D. of the wiper.



Part Number	"A" Wiper I.D.	"B" Thread I.D.	Threads/Inch	List Price
HY-011-39005W00125	3"	3.840"	12	\$117.65
HY-011-49007W00125	4"	4.840"	12	118.57
HY-011-59006W00125	5"	5.840"	12	130.82
HY-011-69005W00125	6"	6.840"	12	232.60
HY-011-79007W00125	7"	7.840"	12	201.66
HY-A3535	7" Headnut			301.32
(For 30,000 Series after 9-1-87 and for threading on all 9-1/8" Stages)				
HY-A20558	8-1/8"	9.220"	12	335.25
HY-A3534	8-1/4" Headnut			882.47
(For 30,000 Series after 9/81)				
HY-A20599	9-3/8"	10.670"	12	1303.61

NOTE:
REPLACEMENT STAGES AVAILABLE UPON REQUEST.
CYLINDER SERIAL NUMBER IS IMPORTANT

HYCO TELESCOPIC CYLINDERS

30,000 SERIES SINGLE ACTING

MANUFACTURED BEFORE AUGUST 1,
1981

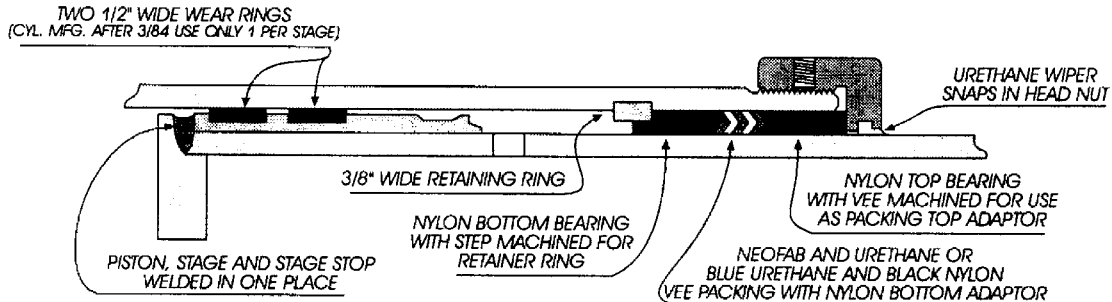
HYCO 30,000 SERIES

20,000 SERIES DOUBLE ACTING

ALL

HYCO 20,000 SERIES DOUBLE ACTION

PACKING: Vee packing with bottom adaptor. 4"



PACKING: Vee packing. Outer bearing serves as top adapter for vee set. All packing is 1/4" cross section, except 9" stage has 3/8" c/s packing and 9-1/8" stage has 5/16" c/s packing.

WIPERS: Urethane snap-in type.

BEARINGS: Glass filled nylon. Outer bearing serves as top adapter for vee set. Inner bearing is "step-cut" on o.d. to pilot over snap ring.

PISTON: Welded to stage. Uses 1/2" wide replaceable wear rings as bearings.

STAGE O.D.'s: 3", 4", 5", 6", 7", 8", 8-1/8", 8-1/4", 9", 9-1/8", 9-3/8"

SPECIAL INFO.: 3/8" spring steel snap ring serves as internal stop.

IDENTIFICATION: Cylinder model number and serial number stamped on cylinder body near base of cylinder. Ex: 30001-85-220

through 8" sizes 1/4" c.s.; 9" is 3/8" c.s.; 9-1/8" is 5/16".

WIPERS: Urethane snap-in type.

BEARINGS: Glass filled nylon. Top bearing serves as top adapter for vee packing. Inner bearing is step-cut to pilot over snap ring.

PISTON: Welded to stage. Uses 1, 1/2" wide nylon wear ring and 2 iron piston rings in separate grooves.

STAGE O.D.'s: 3", 4", 5", 6", 7", 8", 9", 9-1/8"

SPECIAL INFO.: 3/8" spring steel snap ring serves as internal stop.

IDENTIFICATION: Cylinder model number and serial number stamped on cylinder body near base.

Part Number	Description	List Price
VEE PACKING, NYLON TOP & BOTTOM BEARINGS AND WIPER KITS		
HY-14411-300N	3" Pack Kit	\$65.21
HY-14411-400N	4" Pack Kit	65.21
HY-14411-500N	5" Pack Kit	90.54
HY-14411-600N	6" Pack Kit	95.05
HY-14411-700N	7" Pack Kit	123.40
HY-14411-800N	8" Pack Kit	186.88
HY-14411-812N	8-1/8" Pack Kit	260.07
HY-14411-825N	8-1/4" Pack Kit	351.92
HY-14411-900N	9" Pack Kit	401.70
HY-14411-912N	9-1/8" Pack Kit	361.51
HY-14411-938N	9-3/8" Pack Kit	345.23
MULTIPLE STAGE KITS		
HY-14411-46N	4" - 6" Pack Kit	\$250.87
HY-14411-47N	4" - 7" Pack Kit	374.21
HY-14411-48N	4" - 8" Pack Kit	431.64
HY-14411-491N	4" - 9-1/8" Pack Kit	922.56
HY-14411-49N	4" - 9" Pack Kit	962.75

Part Number	Description	List Price
VEE PACKING, BRONZE TOP BEARING, AND NYLON BOTTOM BEARING AND WIPER KITS		
HY-14411-300B	3" Pack Kit Hytrel & Fab Vees	\$84.02
HY-14411-400B	4" Pack Kit Hytrel & Fab Vees	125.16
HY-14411-500B	5" Pack Kit Hytrel & Fab Vees	141.58
HY-14411-600B	6" Pack Kit Hytrel & Fab Vees	163.20
HY-14411-700B	7" Pack Kit Hytrel & Fab Vees	185.03
HY-14411-800B	8" Pack Kit Hytrel & Fab Vees	202.13
HY-14411-812B	8-1/8" Pack Kit Hytrel & Fab Vees	273.69
HY-14411-912B	9-1/8" Pack Kit w/Nyl Top Bearing	372.44
HY-14411-938B	9-3/8" Pack Kit Hytrel & Fab Vees	358.46
Part Number	Stages	List Price
MAJOR REPAIR KITS - SINGLE ACTING		
Contains vee packing, bushings, wear rings, retainer rings and wipers.		
HY-MRK-14411-46	4" - 6"	\$498.91
HY-MRK-14411-47	4" - 7"	707.27
HY-MRK-14411-48	4" - 8"	990.56

HYCO TELESCOPIC CYLINDERS

30,000 SERIES CYLINDERS & 20,000 SERIES CYLINDERS

(MANUFACTURED BEFORE AUGUST 1, 1981)

(ALL)

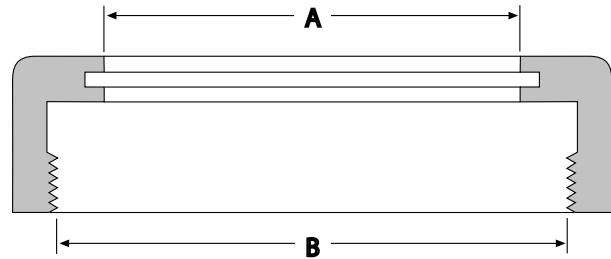
Part Number	Description	List Price
RETAINER RINGS		
HY-B9971-3.5	3" Retainer Ring	\$87.18
HY-B9971-4.5	4" Retainer Ring	74.62
HY-B9971-5.5	5" Retainer Ring	83.64
HY-B9971-6.5	6" Retainer Ring	108.57
HY-B9971-7.5	7" Retainer Ring	109.80
HY-B9971-8.5	8" Retainer Ring	110.16
HY-B9971-900	8-1/4" Retainer Ring	398.54
HY-B9971-962	9-1/8" Retainer Ring	277.95
HY-B9971-988	9-3/8" Retainer Ring	217.86
PISTON WEAR RINGS		
HY-10764-300	3-1/2" Nylon Piston Wear Ring	\$6.40
HY-10764-400	4-1/2" Nylon Piston Wear Ring	6.85
HY-10764-500	5-1/2" Nylon Piston Wear Ring	6.85
HY-10764-600	6-1/2" Nylon Piston Wear Ring	8.97
HY-10764-700	7-1/2" Nylon Piston Wear Ring	8.97
HY-10764-800	8-1/2" Nylon Piston Wear Ring	10.81
HY-10764-812	8-5/8" Nylon Piston Wear Ring	16.11
HY-10764-825	9" Nylon Piston Wear Ring	17.30
HY-10764-900	9-3/4" Nylon Piston Wear Ring	35.62
HY-10764-938	9-7/8" Nylon Piston Wear Ring	30.27
PISTON WEAR RING KITS		
HY-10764-46	4-1/2" - 6-1/2" Kit (1 ea. size)	\$32.59
HY-10764-47	4-1/2" - 7-1/2" Kit (1 ea. size)	44.46
HY-10764-48	4-1/2" - 8-1/2" Kit (1 ea. size)	58.97
HY-10764-48.2	4-1/2" - 9" Kit (1 ea. size)	59.60
HY-10764-49	4-1/2" - 9-3/4" Kit (1 ea. size)	82.59
HY-10764-57	5-1/2" - 7-1/2" Kit (1 ea. size)	34.05
HY-10764-58	5-1/2" - 8-1/2" Kit (1 ea. size)	48.53
CAST IRON PISTON RINGS FOR DOUBLE ACTING CYLINDERS 1/2" WIDE		
HY-B12071-3	3-1/2 Cast Iron Piston Ring	\$74.97
HY-B12071-4	4-1/2 Cast Iron Piston Ring	41.83
HY-B12071-49	4-1/2-9-3/4 Cast Iron Piston Ring Kit	898.39
HY-B12071-5	5-1/2 Cast Iron Piston Ring	50.45
HY-B12071-6	6-1/2 Cast Iron Piston Ring	58.98
HY-B12071-7	7-1/2 Cast Iron Piston Ring	64.64
HY-B12071-8	8-1/2 Cast Iron Piston Ring	91.70
HY-B12071-812	8-5/8 Cast Iron Piston Ring	133.19
HY-B12071-9	9-3/4 Cast Iron Piston Ring	94.56
HY-B12071-938	9-7/8 Cast Iron Piston Ring	516.04

Part Number	Description	List Price
MISCELLANEOUS PARTS		
HY-A20419	Set Screw for Headnut	\$1.86
HY-A20420	Nylon Slug for Headnut	0.96
HY-A20866	Nylon Slug & Set Screw	4.01
HY-A2688	1/8" NPT Manual Bleeder Valve (Min Pack - 3)	7.17

HEADNUTS

CAUTION:

Getting the correct Hyco headnut can be a problem. If you are unsure, call our sales department. Headnuts are measured at the I.D. of the wiper.



Part Number	"A" Wiper I.D.	"B" Thread I.D.	Threads/Inch	List Price
HY-011-39005W00125	3"	3.840"	12	\$241.08
HY-011-49007W00125	4"	4.840"	12	117.65
HY-011-59006W00125	5"	5.840"	12	118.57
HY-011-69005W00125	6"	6.840"	12	130.82
HY-011-79007W00125	7"	7.840"	12	232.60
HY-A3535	7"	8.100"	12	301.32
(For 30,000 Series after 9-1-87 and for threading on all 9-1/8" Stages)				
HY-A3534	8-1/4"	9.780"	12	882.47
HY-A20558	8-1/8"	9.220"	12	335.25
(For 30,000 Series after 9/81)				
HY-A20599	9-3/8"	10.670"	12	1303.61

HYCO

HYCO TELESCOPIC CYLINDERS

20,000 SERIES CYLINDERS WITH K-STYLE WIPERS

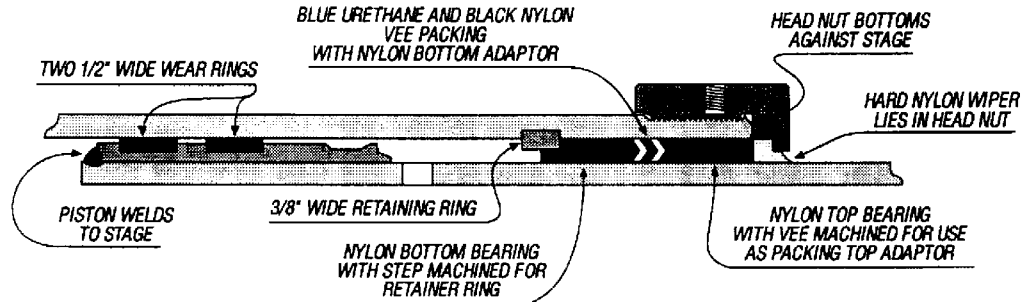
Part Number	Description	List Price
MAJOR REPAIR KITS - SINGLE ACTING		
HY-MRK-034-00020-46	4" - 6" Pack Kit	\$580.38
HY-MRK-034-00020-47	4" - 7" Pack Kit	822.78
HY-MRK-034-00020-48	4" - 8" Pack Kit	1155.24
VEE PACKING, BRONZE TOP & NYLON BOTTOM BEARINGS AND 2 WIPER KITS		
HY-034-00020-300B	3" Pack Kit	\$97.98
HY-034-00020-400B	4" Pack Kit	133.02
HY-034-00020-500B	5" Pack Kit	129.66
HY-034-00020-600B	6" Pack Kit	151.85
HY-034-00020-700B	7" Pack Kit	198.85
HY-034-00020-800B	8" Pack Kit	320.73
HY-034-00020-812B	8.12" Pack Kit	376.70
HY-034-00020-912B	9.12" Pack Kit	443.63
HY-034-00020-938B	9.38" Pack Kit	428.45

Part Number	Description	List Price
VEE PACKING, NYLON TOP & BOTTOM BEARINGS AND 2 WIPER KITS		
HY-034-00020-300N	3" Pack Kit	\$79.16
HY-034-00020-400N	4" Pack Kit	86.76
HY-034-00020-500N	5" Pack Kit	119.01
HY-034-00020-600N	6" Pack Kit	126.54
HY-034-00020-700N	7" Pack Kit	157.50
HY-034-00020-800N	8" Pack Kit	249.61
HY-034-00020-812N	8.12" Pack Kit	324.76
HY-034-00020-912N	9.12" Pack Kit	432.73
HY-034-00020-938N	9.38" Pack Kit	416.40
MULTIPLE STAGE KITS		
HY-034-00020-46N	4" - 6" Pack Kit	\$332.02
HY-034-00020-47N	4" - 7" Pack Kit	489.84
HY-034-00020-48N	4" - 8" Pack Kit	724.18
HY-034-00020-491N	4" - 9-1/8" Pack Kit	1099.38

HYCO

HYCO TELESCOPIC CYLINDERS

10,000 SERIES CYLINDER CYLINDERS MANUFACTURED FROM JULY, 1974 THROUGH AUGUST, 1976



- PACKING:** Vee packing. Outer bearing serves as top adapter for vee set.
- WIPERS:** Hard black nylon. Does NOT snap into a groove. Wiper is "trapped" between head nut and top bearing.
- BEARINGS:** Glass filled nylon. Outer bearing serves as top adapter for vee set. Inner bearing is "step-cut" to pilot over snap ring.
- PISTON:** Welded to stage. Uses 2 replaceable 1/2" wide wear rings. Pistons are open through the bottom; they have no "plug", so a smaller stage will pass out through the bottom of the piston on a larger stage when the headnut is removed and the stages are removed from the cylinder body.
- STAGE O.D.'s:** 3", 4", 5", 6", 7", 8", 8-1/4"
- SPECIAL INFO.:** 3/8" spring steel snap ring serves as internal stop. Rod eye threads into stage.
- IDENTIFICATION:** Cylinder model number and serial number stamped on cylinder body near base.

For all 10,000 Series Single Acting Cylinders manufactured from 7/74 through 8/76, kits include hard black wipers, vee sets and top and bottom bearings.

Part Number	Description	List Price
PISTON WEAR RINGS		
HY-10764-400	4-1/2" Nylon Piston Wear Ring	\$6.85
HY-10764-500	5-1/2" Nylon Piston Wear Ring	6.85
HY-10764-600	6-1/2" Nylon Piston Wear Ring	8.97
HY-10764-700	7-1/2" Nylon Piston Wear Ring	8.97
HY-10764-800	8-1/2" Nylon Piston Wear Ring	10.81
HY-10764-825	9" Nylon Piston Wear Ring	17.30
RETAINER RINGS		
HY-B9971-4.5	4" Retainer Ring	\$74.62
HY-B9971-5.5	5" Retainer Ring	83.64
HY-B9971-6.5	6" Retainer Ring	108.57
HY-B9971-7.5	7" Retainer Ring	109.80
HY-B9971-8.5	8" Retainer Ring	110.16
HY-B9971-900	8-1/4" Retainer Ring	398.54

Part Number	Description	List Price
VEE PACKING, NYLON TOP & BOTTOM BEARINGS AND WIPER KITS		
HY-11426-300	3" Pack Kit	\$95.72
HY-11426-400	4" Pack Kit	96.09
HY-11426-500	5" Pack Kit	116.90
HY-11426-600	6" Pack Kit	130.03
HY-11426-700	7" Pack Kit	167.12
HY-11426-800	8" Pack Kit	210.04
HY-11426-825	8-1/4" Pack Kit	413.57
MULTIPLE STAGE KITS		
HY-11426-48	4" - 8" Pack Kit	\$712.84

HYCO TELESCOPIC CYLINDERS

IMPORTANT NOTE:

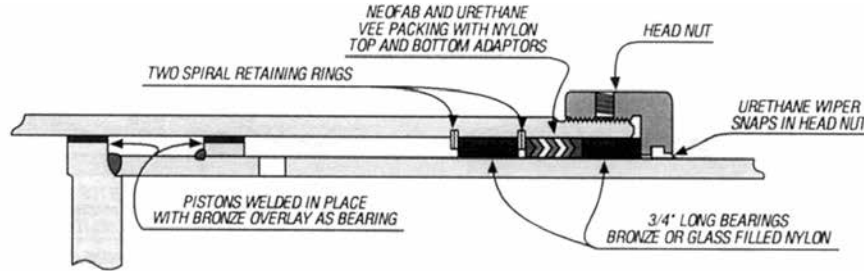
WHEN ORDERING HYCO TELESCOPIC PARTS IT IS HELPFUL TO PROVIDE A MODEL NUMBER AND SERIAL NUMBER. THE SERIAL NUMBER IS STAMPED ONTO A METAL TAG APPLIED TO THE CYLINDER BODY. THE SERIAL NUMBER IS THE FIRST FOUR OR FIVE DIGITS OF THE NUMBER. THE LAST THREE OR FOUR DIGITS INDICATE THE DATE OF MANUFACTURE.

EXAMPLE 12345 10 93
SERIAL # MONTH YEAR

C900 - C2000 SERIES SINGLE ACTING

MANUFACTURED BEFORE JULY 10, 1974

C9000 SERIES DOUBLE ACTING ALL



- PACKING:** Vee packing with nylon top and bottom adaptors 1/4" c.s. on 4" through 8".
WIPERS: Urethane snap-in type.
BEARINGS: 2 bearings, one above the vee packing and the other "trapped" between the two spiral retainers. Original bearings were bronze. Currently many replacements are glass filled or mineral filled nylon.
PISTON: Single acting cylinders have piston welded to stage. Piston bearings are bronze overlay on steel nylon. Double acting cylinders have steel piston which threads onto stage. Contains 2, 1/2" wide nylon wear rings and 2 cast iron piston rings in common groove.
STAGE O.D.'s: 3", 4", 5", 6", 7", 8", 8-1/4", 9", 9-3/4"
SPECIAL INFO.: 2 spiral retaining rings with bearings "trapped" between them serving as internal stop.
IDENTIFICATION: Cylinder model number and serial number stamped on metal tag applied to cylinder body.

For all C900 - C2000 Series single acting cylinders manufactured before 7/74 and all C9000 Series double acting telescopic, pack kits include only the wiper and vee packing. Nylon and bronze bearings are offered separately.

Part Number	Description	List Price
INDIVIDUAL STAGE VEE PACKING AND WIPER SETS		
HY-2VSW	2" Packing & Wiper	\$30.49
HY-3VSW	3" Packing & Wiper	31.18
HY-4VSW	4" Packing & Wiper	34.65
HY-5VSW	5" Packing & Wiper	39.31
HY-6VSW	6" Packing & Wiper	47.91
HY-7VSW	7" Packing & Wiper	55.95
HY-8VSW	8" Packing & Wiper	63.00
HY-8.12VSW	8-1/8" Packing & Wiper	132.83
HY-8.25VSW	8-1/4" Packing & Wiper	163.79
HY-9VSW	9" Packing & Wiper	163.69
HY-9.12VSW	9-1/8" Packing & Wiper	208.14
HY-9.37VSW	9-3/8" Packing & Wiper	199.69
HY-9.75VSW	9-3/4" Packing & Wiper	311.45

Part Number	Description	List Price
MULTIPLE STAGE VEE PACKING AND WIPER SETS		
HY-35	3" - 5" Pack Kit	\$169.11
HY-36	3" - 6" Pack Kit	169.56
HY-38	3" - 8" Pack Kit	313.76
HY-46	4" - 6" Pack Kit	133.37
HY-47	4" - 7" Pack Kit	198.35
HY-48	4" - 8" Pack Kit	208.86
HY-48-1/4	4" - 8-1/4" Pack Kit	381.65
HY-49	4" - 9" Pack Kit	481.74
HY-57	5" - 7" Pack Kit	173.36
HY-58	5" - 8" Pack Kit	249.75
HY-59-3/4	5" - 9-3/4" Pack Kit	622.99

HYCO TELESCOPIC CYLINDERS

C900 - C2000 SERIES SINGLE ACTING

MANUFACTURED BEFORE JULY 10, 1974

AND

C9000 SERIES DOUBLE ACTING ALL

Part Number	Description	List Price
NYLON BEARINGS		
HY-A2475N	3" Nylon Bearing	\$21.70
HY-A2227N	4" Nylon Bearing	21.09
HY-A2226N	5" Nylon Bearing	22.22
HY-A2225N	6" Nylon Bearing	26.25
HY-A2411N	7" Nylon Bearing	29.42
HY-A2447N	8" Nylon Bearing	35.64
HY-A3438N	8-1/4" Nylon Bearing	67.53
HY-A18415N	9" Nylon Bearing	120.08
NYLON BEARING KITS		
HY-NYB38	2 ea. 3" - 8" Nylon Bearings	\$301.92
HY-NYB46	2 ea. 4" - 8" Nylon Bearings	105.02
HY-NYB47	2 ea. 4" - 7" Nylon Bearings	192.65
HY-NYB48	2 ea. 4" - 8" Nylon Bearings	200.43
HY-NYB48-1/4	2 ea. 4" - 8-1/4" Nylon Bearings	321.21
HY-NYB49	2 ea. 4" - 9" Nylon Bearings	489.39
HY-NYB57	2 ea. 5" - 7" Nylon Bearings	151.13
HY-NYB58	2 ea. 5" - 8" Nylon Bearings	219.02
BRONZE BEARINGS		
HY-A2475B	3" Bronze Bearing	\$71.16
HY-A2227B	4" Bronze Bearing	137.29
HY-A2226B	5" Bronze Bearing	114.44
HY-A2225B	6" Bronze Bearing	131.11
HY-A2411B	7" Bronze Bearing	196.71
HY-A2447B	8" Bronze Bearing	205.36
HY-A8258	9-3/4" Bottom Bronze Bearing	365.88
HY-A8308	9-3/4" Top Bronze Bearing	831.61
SPIRAL RETAINERS		
HY-A2477	3" Spiral Retainer	\$6.11
HY-A17794	4" Spiral Retainer	14.53
HY-A17793	5" Spiral Retainer	14.84
HY-A2228	6" Spiral Retainer	11.49
HY-A3012	7" Spiral Retainer	15.23
HY-A3013	8" Spiral Retainer	18.87
HY-A4616	8-1/4" Spiral Retainer	118.16
HY-A18387	9" Spiral Retainer	91.19
HY-A8246	9-3/4" Spiral Retainer	158.86
SPIRAL RETAINER KITS		
HY-SR48	2 ea. 4" - 8" Spiral Retainers	\$218.09
HY-SR49	2 ea. 4" - 9" Spiral Retainers	484.93
HY-SR58	2 ea. 5" - 8" Spiral Retainers	174.88

Part Number	Description	List Price
PISTON RINGS Double Acting Only		
HY-A18029	4-1/2" O.D. Cast Iron Piston Ring	\$20.03
HY-A18028	5-1/2" O.D. Cast Iron Piston Ring	27.47
HY-A18027	6-1/2" O.D. Cast Iron Piston Ring	32.98
HY-A18026	7-1/2" O.D. Cast Iron Piston Ring	49.98
HY-A18025	8-1/2" O.D. Cast Iron Piston Ring	69.95
HY-A18385	9-3/4" O.D. Cast Iron Piston Ring	111.17
PISTON RING KITS Double Acting Only		
HY-PR48	2 ea. 4-1/2"-8-1/2" Piston Rings	\$434.38
HY-PR49	2 ea. 4-1/2"-9-3/4" Piston Rings	630.56
PISTON WEAR RINGS Double Acting Only		
HY-10764-400	4-1/2" O.D. Piston Wear Ring	\$6.85
HY-10764-500	5-1/2" O.D. Piston Wear Ring	6.85
HY-10764-600	6-1/2" O.D. Piston Wear Ring	8.97
HY-10764-700	7-1/2" O.D. Piston Wear Ring	8.97
HY-10764-800	8-1/2" O.D. Piston Wear Ring	10.81
HY-10764-900	9-3/4" O.D. Piston Wear Ring	35.62
NYLON PISTON WEAR RING KITS Double Acting Only		
HY-NPB48	2 ea. 4-1/2"-8-1/2" Piston Wear Rings	\$110.36
HY-NPB49	2 ea. 4-1/2"-9-3/4" Piston Wear Rings	157.44
HEADNUTS		
Getting the correct Hyco headnut can be a problem. If you are unsure, call our sales department. Headnuts are measured at the I.D. of the wiper.		
HY-011-39005W00125	3" Headnut	\$117.65
HY-011-49007W00125	4" Headnut	118.57
HY-011-59006W00125	5" Headnut	130.82
HY-011-69005W00125	6" Headnut	232.60
HY-011-79007W00125	7" Headnut	201.66
HY-A3535	7" Headnut	301.32
HY-A3534	8-1/4" Headnut	882.47
HY-A18411	9" Headnut	306.50

HYCO

HYCO PISTON-ROD CYLINDERS

Kit Number	Cylinder Number	Code (Pg. 14)	Rod X Bore Size	List Price
HY-A18881	C4979	I-V-12	2 X 4-1/2	\$98.02
HY-A22227	C6312	I-V-5	2 X 4	91.01
HY-A22228	C6404	I-N-4	2-1/2 X 3-1/2	33.25
HY-A22229	C6403	I-V-5	2-1/2 X 6	154.05
HY-A22230	C6443	I-V-5	2 X 5	116.00
HY-A22231	C6402	I-V-5	3 X 5	127.22
HY-A22286	C6304	I-U-5	3 X 5	123.71
HY-A22368	C5845	I-U-5	2-1/2 X 5	118.06
HY-A22891	C6591	I-U-5	3-1/2 X 4-1/2	118.06
HY-C2062K	C2062	I-V-9	2 X 6-1/2	148.17
HY-C2526K	C2526	I-V-7	2-1/2 X 5	141.65
HY-C2670K	C2670	I-V-5	2 X 3-1/4	114.59
HY-C2672K	C2672	I-V-5	2-1/2 X 5	168.05
HY-C2699K	C2699	I-V-5	2 X 4	129.48
HY-C3571K	C3571	I-V-9	1-1/2 X 3-1/2	123.32
HY-C3650K	C3650	I-V-5	3 X 6	128.00
HY-C4658K	C4658	I-V-5	3 X 7	149.01
HY-C4797K	C4797	I-V-9	3 X 7	338.17
HY-C6217K	C6217	I-V-9	2 X 6	229.89
HY-C6410K	C6410	I-U-5	2 X 4	93.23
HY-C6429K	C6429	I-V-5	3 X 7	206.58

REPLACEMENT KITS

Kit Number	Code (Pg. 14)	Rod X Bore Size	List Price
HY-308-7244-0	I-U-10	1 X 2	\$25.19
HY-312-7753-0	I-U-5	2-1/2 X 3	65.19
HY-316-7754-0	I-U-5	3-1/2 X 4	102.24

HYDRO-AX

Repair parts for Hydro-Ax are available online at www.HerculesUS.com or by contacting the Hercules Sales Team at the information provided below.

HYSTER

Kit Number	Code (Pg. 14)	Rod X Bore Size	List Price
HYS-1332565	I-U-1	1-7/8 X 2-1/4	\$79.56
HYS-1334570	I-U-4	3-1/2 X 4	115.23
HYS-1334571	I-N-5	4 X 4-1/2	145.17
HYS-133462	I-V-1	1-3/4" ROD	33.82
HYS-1355337		GEAR KIT	41.35
HYS-144267		O-RING KIT	20.44
HYS-148292	N-N-8	3-1/4" PISTON KIT	89.59
HYS-148414	I-V-1	1-3/4" ROD	36.88
HYS-149193	N-N-P	2-1/2" BORE	33.03
HYS-149194	P-V-1	1-3/4 X 2-1/2	45.31

HYSTER

Kit Number	Code (Pg. 14)	Rod X Bore Size	List Price
HYS-149254	I-V-1	1-3/4" ROD	\$30.96
HYS-149258	P-V-1	2" ROD	69.48
HYS-149259	N-V-1	2-1/4" ROD	40.27
HYS-149260	I-V-1	1-1/4" ROD	38.05
HYS-149292		O-RING KIT	11.47
HYS-1494726	P-U-10	1-3/4 X 4	54.62
HYS-168801	N-U-12	1 X 3	99.32
HYS-170881	P-V-8	1-1/4 X 3	66.63
HYS-2026822	P-U-10	35 X 65 mm	135.65
HYS-2085015	P-U-13	35 X 70 mm	106.90
HYS-226074	I-U-8	1-1/2 X 3-1/2	84.97
HYS-2302714	I-U-11	28 mm X 2-1/2	33.06
HYS-2303974	I-U-1	3 X 3-3/4	80.48
HYS-250050	P-U-10	1-1/2 X 3-1/2	65.33
HYS-250051	P-U-10	1-1/4 X 3	69.34
HYS-250550	I-U-4	4-1/4 X 6	208.66
HYS-250559	I-U-4	5-1/4 X 7-1/2	286.68
HYS-250603	I-U-8	1 X 2-1/2	80.22
HYS-250937	I-U-8	1-1/2 X 3.525	191.48
HYS-250943	I-U-1	3.70, 5.45 Stages	352.36
HYS-280182	I-O-10	1 X 2-1/4	25.43
HYS-280537	I-U-4	2-1/8 X 2-1/2	87.50
HYS-281474	P-U-10	1-1/2 X 3-1/2	68.58
HYS-281815	I-U-10	1-3/4 X 3-1/2	35.12
HYS-281822	I-U-10	1-1/4 X 3	32.16
HYS-281855	I-U-10, 12	1-3/4 X 3-1/2	72.63
HYS-281859	I-U-10, 12	2-1/4 X 3-1/2	77.35
HYS-281864	I-U-10	1-3/4 X 3-1/2	35.38
HYS-314993		O-RING KIT	10.12
HYS-318005	I-U-1	2-3/4, 3-3/4 Stages	115.37
HYS-321758	I-U-10	2-1/4 X 4-1/2	52.11
HYS-321909	I-U-5	3 X 4-3/4	191.40
HYS-323645	I-U-8	1-3/4 X 4	95.31
HYS-327393	I-U-4	2-1/8 X 2-1/2	63.99
HYS-328074	I-U-10	1-1/4 X 2-3/4	38.53
HYS-328121	P-U-10	1-1/4 X 3	75.11
HYS-328226	P-U-10	1-3/4 X 4-1/4	78.09
HYS-333742	P-U-10	2-1/8 X 3	112.17
HYS-334997	I-U-10	1-1/4 X 2-3/4	44.70
HYS-337281	I-U-4	1-3/8 X 2	62.83
HYS-339347	I-U-4	4, 5 Stages	265.49
HYS-340079	N-U-4	1-3/4 X 2-3/4	81.28
HYS-355695	P-U-10	1-3/8 X 3	66.86
HYS-355909	I-U-5	1-1/2 X 4	95.62
HYS-381762	I-U-10	2-7/8 X 4-1/2	105.45
HYS-383991	P-U-10	1-1/4 X 3	63.99
HYS-48628	I-U-4	3/4 X 1-5/8	32.13
HYS-629326		HOSE REEL KIT	12.56
HYS-639456	I-U-4	3 X 3-1/2	101.85
HYS-643280	I-U-4	3 X 3-1/2	107.70

HYUNDAI

Replacement Kits For

Excavators					
APPLICATION	CODE	ROD	BORE	KIT #	List \$
MODEL 130LC					
ARM	P-UB-10	80 mm	115 mm	HYU-91E6-2712	700.61
BOOM	P-UB-10	75 mm	105 mm	HYU-91E6-2711	229.69
BUCKET	P-UB-10	70 mm	100 mm	HYU-91E6-2713	249.62
MODEL R140LC-7					
ADJUST BOOM (LH)	P-UB-14	75 mm	105 mm	HYU-31Y1-21200	108.39
ADJUST BOOM (RH)	P-UB-14	75 mm	105 mm	HYU-31Y1-21200	108.39
ADJUST BOOM SAFETY VALVE	P-UB-14	90 mm	145 mm	HYU-31Y1-16170	205.01
ARM	P-UB-14	80 mm	115 mm	HYU-31Y1-18110	158.05
	P-UB-14	80 mm	115 mm	HYU-31Y1-18110	158.05
	P-UB-14	80 mm	115 mm	HYU-31Y1-18110	158.05
	P-UB-14	80 mm	115 mm	HYU-31Y1-18110	158.05
BLADE (LH)	P-UB-14	70 mm	100 mm	HYU-31Y1-04032	111.93
	P-UB-14	70 mm	100 mm	HYU-31Y1-04031	77.90
BLADE (RH)	P-UB-14	70 mm	100 mm	HYU-31Y1-04031	77.90
	P-UB-14	70 mm	100 mm	HYU-31Y1-04032	111.93
BOOM (LH)	P-UB-14	75 mm	105 mm	HYU-31Y1-18170	91.97
BOOM (RH)	P-UB-14	75 mm	105 mm	HYU-31Y1-18170	91.97
BUCKET	P-UB-14	70 mm	100 mm	HYU-31Y1-18210	145.19
MODEL R140LC-7A					
ADJUST BOOM (LH)	P-UB-14	75 mm	105 mm	HYU-31Y1-21200	108.39
ADJUST BOOM (RH)	P-UB-14	75 mm	105 mm	HYU-31Y1-21200	108.39
ADJUST BOOM SAFETY VALVE	P-UB-14	90 mm	145 mm	HYU-31Y1-16170	205.01
ARM	P-UB-14	80 mm	115 mm	HYU-31Y1-18110	158.05
BLADE (LH)	P-UB-14	70 mm	100 mm	HYU-31Y1-04032	111.93
BLADE (RH)	P-UB-14	70 mm	100 mm	HYU-31Y1-04032	111.93
BOOM (LH)	P-UB-14	75 mm	105 mm	HYU-31Y1-18170	91.97
BOOM (RH)	P-UB-14	75 mm	105 mm	HYU-31Y1-18170	91.97
BUCKET	P-UB-14	70 mm	100 mm	HYU-31Y1-18210	145.19
MODEL R160LC-7					
ADJUST	P-UB-14	95 mm	160 mm	HYU-31Y1-24090	172.84
ADJUST BOOM (LH)	P-UB-14	80 mm	115 mm	HYU-31Y1-20430	161.35
ADJUST BOOM (RH)	P-UB-14	80 mm	115 mm	HYU-31Y1-20430	161.35
ARM	P-UB-14	85 mm	120 mm	HYU-31Y1-20450	182.87
BLADE (LH)	P-UB-14	75 mm	110 mm	HYU-31Y1-13010	110.33
BLADE (RH)	P-UB-14	75 mm	110 mm	HYU-31Y1-13010	110.33
BOOM (LH)	P-UB-14	80 mm	115 mm	HYU-31Y1-20430	161.35
BOOM (RH)	P-UB-14	80 mm	115 mm	HYU-31Y1-20430	161.35
BUCKET	P-UB-14	80 mm	115 mm	HYU-31Y1-20340	124.65
MODEL R160LC-7A					
ADJUST	P-UB-14	95 mm	160 mm	HYU-31Y1-24090	172.84
ADJUST BOOM (LH)	P-UB-14	80 mm	115 mm	HYU-31Y1-20430	161.35
ADJUST BOOM (RH)	P-UB-14	80 mm	115 mm	HYU-31Y1-20430	161.35
ARM	P-UB-14	85 mm	120 mm	HYU-31Y1-20450	182.87
BLADE (LH)	P-UB-14	75 mm	110 mm	HYU-31Y1-13010	110.33
BLADE (RH)	P-UB-14	75 mm	110 mm	HYU-31Y1-13010	110.33
BOOM (LH)	P-UB-14	80 mm	115 mm	HYU-31Y1-20430	161.35
BOOM (RH)	P-UB-14	80 mm	115 mm	HYU-31Y1-20430	161.35
BUCKET	P-UB-14	80 mm	115 mm	HYU-31Y1-20340	124.65
MODEL R200LC, R210LC					
ARM	P-UB-14	95 mm	140 mm	HYU-91E1-2707	810.28
BOOM	P-UB-14	85 mm	125 mm	HYU-91E1-2706	620.51
BUCKET	P-UB-14	80 mm	120 mm	HYU-91E1-2708	661.50
MODEL R210LC-3					
ARM	P-UB-14	95 mm	140 mm	HYU-31Y1-06731	135.28

HYUNDAI

Replacement Kits For

HYUNDAI

Excavators

APPLICATION	CODE	ROD	BORE	KIT #	List \$
MODEL R210LC-3					
ARM	P-UB-14	95 mm	140 mm	HYU-31Y1-06731	135.28
ARM (2 Piece Boom)	P-UB-14	95 mm	140 mm	HYU-31Y1-06731	135.28
ARM (LR)	P-UB-14	95 mm	140 mm	HYU-31Y1-06731	135.28
BOOM (Adjust)	P-UB-14	100 mm	160 mm	HYU-31Y1-12630	262.41
BOOM (LH)	P-UB-14	85 mm	120 mm	HYU-31Y1-06561	156.44
	P-UB-14	85 mm	120 mm	HYU-31Y1-06561	156.44
BOOM (RH)	P-UB-14	85 mm	120 mm	HYU-31Y1-06561	156.44
	P-UB-14	85 mm	120 mm	HYU-31Y1-06561	156.44
BUCKET	P-UB-14	80 mm	115 mm	HYU-31Y1-06841	113.72
	P-UB-14	80 mm	115 mm	HYU-31Y1-06841	113.72
BUCKET (LR)	P-UB-14	70 mm	100 mm	HYU-31Y1-13800	104.97
	P-UB-14	65 mm	100 mm	HYU-31Y1-02870	76.77
MODEL R210LC-7					
ARM	P-UB-14	100 mm	140 mm	HYU-31Y1-15230N	402.86
ARM (LR)	P-UB-14	95 mm	140 mm	HYU-31Y1-06731N	406.84
BOOM	P-UB-14	85 mm	120 mm	HYU-31Y1-15880N	323.57
BUCKET	P-UB-14	85 mm	125 mm	HYU-31Y1-15700N	333.84
BUCKET (LR)	P-UB-14	70 mm	100 mm	HYU-31Y1-13800N	365.73
MODEL R210LC-7A					
ARM	P-UB-14	100 mm	140 mm	HYU-31Y1-15236	208.62
ARM (LR)	P-UB-14	95 mm	140 mm	HYU-31Y1-06731	135.28
BOOM (LH)	P-UB-14	85 mm	120 mm	HYU-31Y1-15885	162.98
BOOM (RH)	P-UB-14	85 mm	120 mm	HYU-31Y1-15885	162.98
BUCKET	P-UB-14	85 mm	125 mm	HYU-31Y1-15705	195.96
BUCKET (LR)	P-UB-14	70 mm	100 mm	HYU-31Y1-13800	104.97
MODEL R210LC-9					
ARM	P-UB-14	100 mm	140 mm	HYU-31Y1-28790	196.54
	P-UB-14	100 mm	140 mm	HYU-31Y1-28790	196.54
ARM (Long Reach)	P-UB-14	100 mm	140 mm	HYU-31Y1-28790	196.54
BOOM (LH)	P-UB-14	85 mm	120 mm	HYU-31Y1-28960	171.76
BOOM (RH)	P-UB-14	85 mm	120 mm	HYU-31Y1-28960	171.76
BUCKET	P-UB-14	85 mm	120 mm	HYU-31Y1-29100	171.76
	P-UB-14	85 mm	120 mm	HYU-31Y1-29100	171.76
BUCKET (Long Reach)	P-UB-14	70 mm	100 mm	HYU-31Y1-36850	120.87
	P-UB-14	70 mm	100 mm	HYU-31Y1-36851	184.58
MODEL R280LC, R320LC-1					
ARM	P-UB-10	105 mm	150 mm	HYU-91E2-2708	281.43
BOOM	P-UB-10	95 mm	145 mm	HYU-91E2-2707	754.97
BUCKET	P-UB-10	95 mm	145 mm	HYU-91E2-2709	724.10
MODEL R290LC-7					
ARM	P-UB-14	110 mm	150 mm	HYU-31Y1-15040	238.01
	P-UB-14	110 mm	150 mm	HYU-31Y1-15047	252.31
	P-UB-14	110 mm	150 mm	HYU-31Y1-15045	156.58
BOOM (LH)	P-UB-14	100 mm	140 mm	HYU-31Y1-15390	211.94
	P-UB-14	100 mm	140 mm	HYU-31Y1-15395	209.34
BOOM (RH)	P-UB-14	100 mm	140 mm	HYU-31Y1-15395	209.34
	P-UB-14	100 mm	140 mm	HYU-31Y1-15390	211.94
BUCKET	P-UB-14	95 mm	140 mm	HYU-31Y1-15545	195.60
	P-UB-14	95 mm	140 mm	HYU-31Y1-15540	196.84
	P-UB-14	95 mm	140 mm	HYU-31Y1-15540	196.84
BUCKET (LR)	P-UB-14	70 mm	100 mm	HYU-31Y1-13800	104.97
MODEL R290LC-7A					
ARM	P-UB-14	110 mm	150 mm	HYU-31Y1-15047	252.31
	P-UB-14	110 mm	150 mm	HYU-31Y1-15045	156.58
	P-UB-14	110 mm	150 mm	HYU-31Y1-30111	176.05
	P-UB-14	110 mm	150 mm	HYU-31Y1-15045	156.58
BOOM (LH)	P-UB-14	100 mm	140 mm	HYU-31Y1-15395	209.34

HYUNDAI

Replacement Kits For

HYUNDAI

Excavators					
APPLICATION	CODE	ROD	BORE	KIT #	List \$
MODEL R290LC-7A					
BOOM (RH)	P-UB-14	100 mm	140 mm	HYU-31Y1-15395	209.34
BUCKET	P-UB-14	95 mm	140 mm	HYU-31Y1-15545	195.60
BUCKET (LR)	P-UB-14	70 mm	100 mm	HYU-31Y1-13800	104.97
MODEL R420LC, R450LC					
ARM	P-UB-14	120 mm	185 mm	HYU-31E7-2712	1085.26
BOOM	P-UB-14	110 mm	160 mm	HYU-31E7-2711	355.98
BUCKET	P-UB-14	110 mm	160 mm	HYU-31E7-2713	1221.93

HYUNDAI

Kit Number	Code (Pg. 14)	Rod X Bore Size	List Price
HYU-31E7-2711	P-UB-14	110 X 160 mm	\$355.98
HYU-31E7-2712	P-UB-14	120 X 185 mm	1085.26
HYU-31E7-2713	P-UB-14	110 X 160 mm	1221.93
HYU-31Y1-02870	P-UB-14	65 X 100 mm	76.77
HYU-31Y1-04031	P-UB-14	70 X 100 mm	77.90
HYU-31Y1-04032	P-UB-14	70 X 100 mm	111.93
HYU-31Y1-05260	P-UB-14	85 X 125 mm	456.75
HYU-31Y1-06561	P-UB-14	85 X 120 mm	156.44
HYU-31Y1-06731	P-UB-14	95 X 140 mm	135.28
HYU-31Y1-06731N	P-UB-14	95 X 140 mm	406.84
HYU-31Y1-06841	P-UB-14	80 X 115 mm	113.72
HYU-31Y1-12630	P-UB-14	100 X 160 mm	262.41
HYU-31Y1-13010	P-UB-14	75 X 110 mm	110.33
HYU-31Y1-13800	P-UB-14	70 X 100 mm	104.97
HYU-31Y1-13800N	P-UB-14	70 X 100 mm	365.73
HYU-31Y1-15040	P-UB-14	110 X 150 mm	238.01
HYU-31Y1-15045	P-UB-14	110 X 150 mm	156.58
HYU-31Y1-15047	P-UB-14	110 X 150 mm	252.31
HYU-31Y1-15230N	P-UB-14	100 X 140 mm	402.86
HYU-31Y1-15236	P-UB-14	100 X 140 mm	208.62
HYU-31Y1-15390	P-UB-14	100 X 140 mm	211.94
HYU-31Y1-15395	P-UB-14	100 X 140 mm	209.34
HYU-31Y1-15540	P-UB-14	95 X 140 mm	196.84
HYU-31Y1-15545	P-UB-14	95 X 140 mm	195.60
HYU-31Y1-15700N	P-UB-14	85 X 125 mm	333.84
HYU-31Y1-15705	P-UB-14	85 X 125 mm	195.96
HYU-31Y1-15880N	P-UB-14	85 X 120 mm	323.57
HYU-31Y1-15885	P-UB-14	85 X 120 mm	162.98

Kit Number	Code (Pg. 14)	Rod X Bore Size	List Price
HYU-31Y1-16170	P-UB-14	90 X 145 mm	\$205.01
HYU-31Y1-18110	P-UB-14	80 X 115 mm	158.05
HYU-31Y1-18170	P-UB-14	75 X 105 mm	91.97
HYU-31Y1-18210	P-UB-14	70 X 100 mm	145.19
HYU-31Y1-20340	P-UB-14	80 X 115 mm	124.65
HYU-31Y1-20430	P-UB-14	80 X 115 mm	161.35
HYU-31Y1-20450	P-UB-14	85 X 120 mm	182.87
HYU-31Y1-21200	P-UB-14	75 X 105 mm	108.39
HYU-31Y1-24090	P-UB-14	95 X 160 mm	172.84
HYU-31Y1-28790	P-UB-14	100 X 140 mm	196.54
HYU-31Y1-28960	P-UB-14	85 X 120 mm	171.76
HYU-31Y1-29100	P-UB-14	85 X 120 mm	171.76
HYU-31Y1-30111	P-UB-14	110 X 150 mm	176.05
HYU-31Y1-32140	P-UB-14	125 X 185 mm	335.14
HYU-31Y1-36850	P-UB-14	70 X 100 mm	120.87
HYU-31Y1-36851	P-UB-14	70 X 100 mm	184.58
HYU-91E1-2706	P-UB-14	85 X 125 mm	620.51
HYU-91E1-2707	P-UB-14	95 X 140 mm	810.28
HYU-91E1-2708	P-UB-14	80 X 120 mm	661.50
HYU-91E2-2707	P-UB-10	95 X 145 mm	754.97
HYU-91E2-2708	P-UB-10	105 X 150 mm	281.43
HYU-91E2-2709	P-UB-10	95 X 145 mm	724.10
HYU-91E6-2711	P-UB-10	75 X 105 mm	229.69
HYU-91E6-2712	P-UB-10	80 X 115 mm	700.61
HYU-91E6-2713	P-UB-10	70 X 100 mm	249.62
HYU-91E8-2707	P-UB-14	100 X 140 mm	1012.17
HYU-91E8-2708	P-UB-14	110 X 160 mm	1296.02
HYU-91E8-2709	P-UB-14	100 X 140 mm	1095.84

HYUNDAI

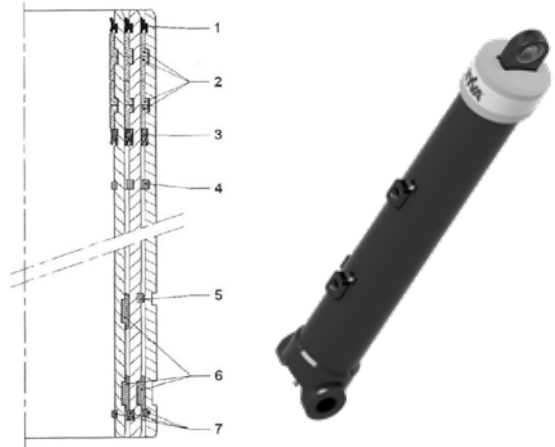
HYVA TELESCOPICS

Hercules Sealing Products provides repair kits for the popular front-end tipping cylinders with Outer Cover (FC) and with Rod Eye (FEE) mount.

PACKING KIT
CONSISTS OF:

- 1 - Wiper
- 2 - Bearings
- 3 - U-seals

PACKING: Twin lip 92A urethane U-seals
 WIPERS: Dual lips snap-in 92A urethane
 BEARINGS: Polyacetal L-shaped bearing rings
 STAGES (FC): 60, 78, 99, 120, 141, 162, 183 and 207
 STAGES (FEE): 72, 91, 110, 129, 149, 169 and 191



FC Series Front-End Tipping Cylinders

Kit Number	Description	List Price
Wiper, U-Seal and Bearing Kits		
HYVA-017-600-87K	60 mm Pack Kit	\$71.47
HYVA-017-600-75K	78 mm Pack Kit	89.13
HYVA-017-600-63K	99 mm Pack Kit	107.10
HYVA-017-600-51K	120 mm Pack Kit	120.67
HYVA-017-600-40K	141 mm Pack Kit	133.26
HYVA-017-600-38K	162 mm Pack Kit	158.69
HYVA-017-600-26K	183 mm Pack Kit	186.09
HYVA-017-600-14K	207 mm Pack Kit	249.63
Multi-Stage Kits		
HYVA-120-3	78, 99 & 120 Kit	\$278.98
HYVA-141-4	78, 99, 120 & 141 Kit	417.89
HYVA-162-4	99, 120, 141 & 162 Kit	530.79
HYVA-183-5	99, 120, 141, 162 & 183 Kit	658.90
HYVA-207-5	120, 141, 162, 183 & 207 Kit	799.08

FEE Series Front-End Tipping Cylinders

Kit Number	Description	List Price
Multi-Stage Kits		
HYVA-71908330K	COMPLETE SEAL KIT ALPHA 110-3	\$345.23
HYVA-71908430K	COMPLETE SEAL KIT ALPHA 129-3	488.95
HYVA-71908530K	COMPLETE SEAL KIT ALPHA 149-3	509.29
HYVA-71908540K	COMPLETE SEAL KIT ALPHA 149-4	560.20
HYVA-71908750K	COMPLETE SEAL KIT ALPHA 191-5	699.12

INGERSOLL-RAND

Kit Number	Code (Pg. 14)	Rod X Bore Size	List Price
IR-50428648	I-U-10	3 X 5	\$60.90
IR-50779636	P-U-10	3 X 6	96.06
IR-51241909	PISTON SEAL	4-1/2	35.80
IR-51293074	PISTON SEAL	6	59.03
IR-51293082	WEAR RING	6 X 5/8	8.33
IR-51293413	WIPER	1-1/2	18.54
IR-51293421	PISTON SEAL	2-1/2	13.85
IR-51318095	O-RING KIT		17.48
IR-51324887	I-SPB-1	53,63 mm	342.69
IR-52119906	VALVE KIT		26.99
IR-52163987	P-U-10	3 X 4	145.61
IR-58150798	I-U-5	1-1/2 X 3-1/2	70.92

Kit Number	Code (Pg. 14)	Rod X Bore Size	List Price
IR-59484246	I-U-10	1-1/8 X 2-1/2	\$48.44
IR-6589792	I-U-10	1-1/2 X 3-1/4	45.35
IR-6661441	P-O-1	1-1/8 Shaft Kit	8.76
IR-6803329	I-U-10	1-1/4 X 2	44.82
IR-6803472	I-U-10	1 X 2	34.83
IR-6804605	I-U-10	1-1/2 X 3-1/4	77.37
IR-70035308	I-V-5	70 X 100 mm	548.38
IR-70035324	I-U-10	63 X 100 mm	125.89
IR-95086807	O-RING	Min.Pack 5	2.98
IR-95086823	O-RING	Min.Pack 5	3.35
IR-95295879	O-RING	Min. Pack 1	43.66
IR-97114698	OIL SEAL		28.99

INTERNATIONAL HARVESTER

Kit Number	Code (Pg. 14)	Rod X Bore Size	List Price
IH1124732C94	P-U-10	1-1/2 X 3	\$125.06
IH1124738C91	P-U-10	1-1/2 X 4	70.52
IH-1279399H91	P-U-10	2 X 3-1/2	118.74
IH-1434418H91	P-UB-10	2 X 3-1/2	110.52
IH1124745C91	P-UB-10	2 X 4	108.85
IH1124749C91	P-U-10	2-3/4 X 4-1/2	108.94
IH1124749C93	P-U-10	2-3/4 X 4-1/2	108.94
IH1124749C94	P-UB-10	2-3/4 X 4-1/2	147.96
IH-1124749C93	P-UB-10	2-3/4 X 4-1/2	108.94
IH-636139C91	I-U-10	2-3/4 X 5	268.01
IH1124757C94	P-UB-10	2-3/4 X 5-1/2	472.86
IH-1124760C94	P-UB-10	3-1/4 X 6	639.73
IH1124774C93	P-UB-10	3-1/2 X 7	495.64
IH1124867C91	P-U-10, 12	3-3/4, 5-3/4, 6-3/4 Stages	1606.75
IH1124857C94	P-UB-10	4-1/4 X 8-1/2	816.62
IH1126587C91	P-U-10	2 X 3-1/2	85.01
IH1126592C91	P-U-10	2-3/4 X 4-1/2	96.82
IH1126614C91	P-U-10	2-1/2 X 6-1/2	133.24
IH386693R92	P-OB-10	1-1/2 X 2-1/2	47.01
IH471270R95	P-U-10, 12	1-1/2 X 2-1/2	81.33
IH533625R93	P-U-10	2-1/2 X 4-1/2	88.16
IH533626R93	P-U-10	2-1/2 X 4	87.80
IH545299R92	P-U-10	2-1/4 X 3-1/2	84.04
IH545300R93	P-U-10	2-1/4 X 4-1/2	93.49
IH545829R93	P-U-10	2 X 3-1/2	84.02
IH545831R93	P-U-10	2-1/4 X 4	83.20
IH546214R93	P-U-10	2 X 3-1/2	61.33
IH609615C1	I-N-U	2-1/2 X 2-1/2	39.41
IH622825C91	Track Adjuster for a TD8		31.46
IH626199C1	P-U-10	1-1/2 X 3	47.05

Kit Number	Code (Pg. 14)	Rod X Bore Size	List Price
IH626230C3	P-U-10	1-3/4 X 3-1/2	\$53.56
IH626230C6	P-UB-10	1-3/4 X 3-1/2	132.02
IH626232C2	P-U-10	2-1/4 X 3-1/2	60.03
IH626233C2	P-U-10	2-1/2 X 4	63.47
IH626234C3	P-U-10	1-3/4 X 4	55.23
IH63577C91	P-U-10	2-1/4 X 4	94.38
IH63581C91	P-U-10	2-1/4 X 3-1/2	92.30
IH636139C91	I-U-10	2-3/4 X 5	268.01
IH636144C91	P-U-10	2-1/2 X 5-1/2	122.48
IH636145C91	P-U-10	2-1/2 X 5-1/2	144.08
IH636146C91	P-U-10	3 X 5-1/2	209.29
IH636147C91	P-U-10	3 X 5-1/2	134.70
IH636149C91	P-U-10	2-1/2 X 6-1/2	267.94
IH636229C91	P-U-10	2-3/4 X 6-1/2	266.92
IH636230C91	P-U-10	3 X 7	187.89
IH63698C91	P-U-10	2 X 3	58.71
IH679325C91	P-U-10	2-1/4 X 4-1/2	97.97
IH679328C91	P-U-10	2-3/4 X 5	218.47
IH679330C91	P-U-10	2-3/4 X 6-1/2	174.41
IH679331C91	P-U-10	2-3/4 X 6-1/2	141.32
IH679332C91	P-U-10	3 X 7	322.90
IH-906000	TRACK ADJUSTER		33.42
IH-906001	TRACK ADJUSTER		33.59
IH-906004	TRACK ADJUSTER		66.25
IH-933212C2	U-SEAL	3-1/4	33.44
IH927444C91	O-Rings		11.35
IH933310C91	P-U-10	4-1/2 X 9	383.09
IH933419C91	P-U-10	2 X 4	95.36
IH935799C91	P-U-10	1-1/2 X 4	87.32
IH943746C91	P-OB-10	1 X 3	39.24

REPLACEMENT PARTS FOR INTERNATIONAL HARVESTER

NOTE: International Harvester part numbers are used as a reference only. We do not imply that these kits are original REPLACEMENT PARTS.

BACK-UP RINGS

Part Number	Min. Pkgs.	List Price
IH-65985	10	\$1.78
IH-899129C2	1	46.93
IH-899130C2	2	14.40

BUFFER RINGS

Part Number	Rod Diameter	List Price
IH-1170748C1	3-1/4	\$54.76

PISTON SEALS

Part Number	Bore Diameter	List Price
IH-657862C1	6	\$72.59

U-SEALS

Part Number	Rod Diameter	List Price
IH-58614	2	\$15.51

WEAR RINGS

Part Number	O.D. X Width	List Price
IH-1170757C1	3-5/8 X 1-1/4	\$40.54
IH-140005	3-1/2 X 5/8	7.11
IH-933221C1	6 X 1-1/4	42.72

WIPERS

Part Number	Rod Diameter	List Price
IH-933207C1	3-1/4	\$28.37

REPLACEMENT PARTS FOR INTERNATIONAL HARVESTER

NOTE: International Harvester part numbers are used as a reference only. We do not imply that these kits are original REPLACEMENT PARTS.

O-RINGS

Part Number	Min. Pkgs.	List Price
IH-21003R1	20	\$0.83
IH-21056R1	20	0.64
IH-21295R1	5	3.78
IH-21480R1	20	0.50
IH-21597R1	20	0.97
IH-21923R1	10	2.13
IH-21924R1	20	0.54
IH-22204R1	5	3.78
IH-22272R1	20	0.39
IH-22277R1	20	0.37
IH-22278R1	20	0.46
IH-22287R1	10	1.90
IH-22288R1	20	0.54
IH-22289R1	10	2.13
IH-22290R1	10	1.75
IH-22291R1	10	2.13
IH-22292R1	5	2.71
IH-22408R1	20	0.78
IH-22409R1	20	0.87
IH-22410R1	20	0.91
IH-22411R1	10	1.41
IH-22412R1	10	1.95
IH-22414R1	10	2.07
IH-22458R1	20	0.34
IH-24595R1	20	0.60
IH-252483R1	50	0.34
IH-252707R1	50	0.16
IH-252738R1	50	0.11
IH-252739R1	50	0.11
IH-253070R1	50	0.20
IH-254091R1	20	0.87
IH-254688R1	10	1.95
IH-254691R1	50	0.20
IH-254693R1	10	2.38
IH-254954R1	50	0.30
IH-257642R1	10	1.45
IH-259246R1	20	1.20
IH-259771R1	20	0.68
IH-26969R1	5	3.81
IH-275611R1	20	0.39
IH-285723R1	20	1.03
IH-285724R1	20	1.08
IH-290987R1	20	0.88
IH-293726R1	20	0.68
IH-293739R1	20	0.37

O-RINGS

Part Number	Min. Pkgs.	List Price
IH-296867R1	5	\$2.71
IH-3040154R1	5	3.52
IH-3042933R1	5	4.08
IH-3042934R1	5	3.04
IH-3044436R1	20	1.20
IH-3044565R1	5	2.71
IH-3045524R1	20	0.49
IH-3046999R1	10	1.85
IH-3047879R1	10	1.95
IH-310959R1	50	0.34
IH-317923R1	20	1.14
IH-327085R1	20	0.39
IH-343903R1	20	0.43
IH-343912R1	5	3.04
IH-347070R1	50	0.30
IH-349900R1	50	0.20
IH-350057R1	20	0.91
IH-350429R1	50	0.16
IH-350667R1	50	0.16
IH-350684R1	50	0.17
IH-3508181R1	50	0.27
IH-352216R1	10	1.45
IH-352219R1	50	0.09
IH-352313R1	20	1.08
IH-352551R1	50	0.11
IH-354836R1	20	1.08
IH-355740R1	20	1.18
IH-355965R1	50	0.20
IH-355966R1	50	0.11
IH-355967R1	50	0.09
IH-356005R1	50	0.30
IH-359158R1	50	0.09
IH-360599R1	50	0.04
IH-360610R1	20	0.49
IH-361300R1	50	0.04
IH-362796R1	50	0.17
IH-363226R1	50	0.04
IH-364108R1	20	0.49
IH-364840R1	50	0.16
IH-364879R1	50	0.17
IH-368109R1	50	0.30
IH-369908R1	50	0.16
IH-370920R1	50	0.09
IH-370941R1	50	0.27
IH-370943R1	50	0.20

O-RINGS

Part Number	Min. Pkgs.	List Price
IH-370944R1	20	\$0.30
IH-371544R1	50	0.11
IH-372784R1	50	0.20
IH-372821R1	50	0.20
IH-375269R1	20	0.39
IH-375271R1	50	0.09
IH-376769R1	50	0.17
IH-377028R1	50	0.17
IH-378031R1	50	0.20
IH-379141R1	20	0.34
IH-379181R1	50	0.11
IH-379794R1	50	0.30
IH-381565R1	20	0.54
IH-382137R1	50	0.17
IH-382138R1	20	0.43
IH-382418R1	50	0.30
IH-382432R1	20	0.64
IH-382781R1	20	0.46
IH-383260R1	20	1.18
IH-3844498R1	20	0.49
IH-384578R1	50	0.17
IH-393120R1	10	1.61
IH-393349R1	50	0.17
IH-468335R1	10	1.75
IH-468339R1	10	1.30
IH-471140R1	10	1.45
IH-604844C1	20	0.49
IH-606921C1	5	3.47
IH-610411C1	20	1.14
IH-610412C1	10	1.90
IH-610414C1	20	0.83
IH-610415C1	5	2.91
IH-610416C1	5	3.57
IH-652226R1	10	1.41
IH-702283R1	20	0.78
IH-702981R1	10	1.61
IH-707220R1	20	0.97
IH-707253R1	20	0.43
IH-708560R1	50	0.34
IH-876092C1	1	13.86
IH-876101C1	1	36.41
IH-877690C1	1	11.01
IH-878385C1	1	17.14

NOTES

FORMERLY LISTED REPAIR PARTS ARE AVAILABLE ONLINE AT WWW.HERCULESUS.COM OR BY CONTACTING YOUR REGIONAL HERCULES SALES TEAM.

REPLACEMENT SEAL KITS FOR JCB EQUIPMENT*

Replacement Seal Kits By Machine Type

Table of Contents

Machine Type		Page
Backhoe Loaders	1CX, 2CX, 3C MIII, 3CX, 3CX COMPACT 10', 3CX COMPACT 12', 3CX SITEMASTER, 3CX TURBO, 3CX-2WD, 3CX-4WD, 3CX-4WD TURBO, 3D, 3D MKII, 3D MKIII, 4CN, 4C TURBO, 208S, 208S HF, 210S, 210SU, 214, 214E, 214SM-4, 215-4 CENTERMOUNT SERIES 3, 215S, 1400, 1400B, 1550, 1550B, 1700B, Midi CX, SITEMASTER	637 - 650
Excavators - Compact	801, 803, 803 Magnum, 803 Plus, 803 Super, 804, 804 Plus, 804 Super, 8014, 8015, 8017, 8025ZTS, 8027Z, 8030ZTS, 8032Z, 8035ZTS, 8052, 8060, 8065RTS, 8080	650 - 654
Excavators - Tracked	JS130, JS160LC, JS200, JS200LC, JS210, JS220, JS240, JS260, JS260 AUTO, JS260 XD AUTO, JS330, JS330 Auto, JS330XD, JS330XD Auto, JZ140	654 - 660
Loaders - Wheel	416, 416B, 416B LE, 416S	660 - 662
Telehandlers	505-19 F.M, 505-22, 505-22 SWAY, 506-36, 506B, 506C, 506C-HL, 507-42, 508C, 509-42, 510-56, 512-56, 520-50, 520-50LE, 525B-4HL, 527-55, 527-55S, 530B-4HL	662 - 671
Wheel Dozers/Loaders	426, 426B, 436, 436B, 456, 456B	671 - 672
Alpha-Numeric Kit Listing		673 - 675
JCB Individual Parts		675

*All manufacturer's names, part numbers and descriptions are used for reference purposes only. We do not imply that any part shown is the product of these manufacturers. We also do not imply that the list price shown is exactly that of the manufacturer.

Replacement Kits For

JCB

Backhoe Loaders							
APPLICATION	CYL #	SERIAL #	CODE	ROD	BORE	KIT #	List \$
MODEL 1CX							
BACKHOE BOOM		00807553-00808999; 01050000-01051999; 01298000-01299998; 00727000-00727999; 00751000-00751599	I-U-10	40 mm	70 mm	JCB-991-10152	125.39
BACKHOE BUCKET		00807553-00808999; 01050000-01051999; 01298000-01299998; 00727000-00727999; 00751000-00751599	I-U-10	40 mm	70 mm	JCB-991-10152	125.39
BACKHOE DIPPER		00807553-00808999; 01050000-01051999; 01298000-01299998; 00727000-00727999; 00751000-00751599	I-U-10	40 mm	70 mm	JCB-991-10152	125.39
CLAM SHOVEL		00807553-00808999; 01050000-01051999; 01298000-01299998; 00727000-00727999; 00751000-00751599; 00751600-00752999	I-U-10	25 mm	50 mm	JCB-991-00097	75.27
FRONT SHOVEL		00807553-00808999; 01050000-01051999; 01298000-01299998; 00727000-00727999; 00751000-00751599	I-U-10	30 mm	60 mm	JCB-991-00098	83.05
GRAB		00807553-00808999; 01050000-01051999; 01298000-01299998; 00727000-00727999; 00751000-00751599	I-U-10	25 mm	50 mm	JCB-991-00097	75.27
HIGH TIP		00807553-00808999; 01050000-01051999; 01298000-01299998; 00751600-00752999; 00806000-00807552	I-U-15	1-3/8"	2"	JCB-903-10301	67.38
LIFT		00807553-00808999; 01050000-01051999; 01298000-01299998; 00727000-00727999; 00751000-00751599	I-U-10	30 mm	60 mm	JCB-991-00098	83.05
SIDE TIP SHOVEL		00807553-00808999; 01050000-01051999; 01298000-01299998; 00751000-00751599; 00751600-00752999	I-U-15	1-1/2"	2-1/2"	JCB-997-00908	210.79
STABILIZER		00807553-00808999; 01050000-01051999; 01298000-01299998	I-U-10	30 mm	50 mm	JCB-991-10141	50.39
		00807553-00808999; 01050000-01051999; 01298000-01299998; 00727000-00727999; 00751000-00751599	I-U-10	30 mm	60 mm	JCB-991-00098	83.05
MODEL 2CX							
BACKHOE BOOM		00655030-00656999	I-U-10	40 mm	70 mm	JCB-991-00095	87.89
		00657000-00659598; 00489696-00499999; 00920001-00929999; 00695999-00659999; 00760001-00764999	I-U-10	50 mm	80 mm	JCB-991-00102	111.98
		00930001-00959999; 00960000-00989999; 01327000-01349999	I-U-10	50 mm	90 mm	JCB-991-00103	86.99
BACKHOE BUCKET		00655030-00656999	I-U-10	40 mm	70 mm	JCB-991-00095	87.89

JCB

Replacement Kits For

JCB

Backhoe Loaders							
APPLICATION	CYL #	SERIAL #	CODE	ROD	BORE	KIT #	List \$
MODEL 2CX							
BACKHOE BUCKET		00657000-00659598; 00489696-00499999; 00920001-00929999; 0069599-00659999; 00760001-00764999; 00960000-00989999; 01327000-01349999; 00930001-00959999	I-U-10	40 mm	70 mm	JCB-991-10152	125.39
BACKHOE DIPPER		00655030-00656999	I-U-10	40 mm	70 mm	JCB-991-00095	87.89
		00657000-00659598; 00489696-00499999; 00920001-00929999; 0069599-00659999; 00760001-00764999	I-U-10	50 mm	80 mm	JCB-991-00102	111.98
		00930001-00959999; 00960000-00989999; 01327000-01349999	I-U-10	50 mm	90 mm	JCB-991-00103	86.99
CLAM SHOVEL		00655030-00656999	I-U-10	30 mm	60 mm	JCB-991-00052	83.05
		00657000-00659598; 00489696-00499999; 00920001-00929999; 0069599-00659999; 00760001-00764999; 00930001-00959999; 00960000-00989999; 01327000-01349999; 00480600-00489695	I-U-10	30 mm	60 mm	JCB-991-00098	83.05
EXTENSION, EXTRADIG DIPPER		00657000-00659598; 00489696-00499999; 00920001-00929999; 0069599-00659999; 00760001-00764999; 00930001-00959999; 00960000-00989999; 01327000-01349999	I-U-10	30 mm	60 mm	JCB-991-00098	83.05
HYDRACLAMP		00655030-00656999	I-U-10	25 mm	50 mm	JCB-991-00054	92.08
		00655030-00656999	I-U-10	25 mm	50 mm	JCB-991-00097	75.27
LOADER LIFT		00655030-00656999	I-U-10	40 mm	70 mm	JCB-991-00095	87.89
		00657000-00659598; 00489696-00499999; 00920001-00929999; 0069599-00659999; 00760001-00764999; 00930001-00959999; 00960000-00989999; 01327000-01349999; 00480600-00489695	I-U-10	40 mm	70 mm	JCB-991-10152	125.39
QUICK HITCH		00655030-00656999; 00930001-00959999; 00960000-00989999; 01327000-01349999	I-U-15	1/2"	25 mm	JCB-548-12801	12.64
SHOVEL		00655030-00656999	I-U-10	40 mm	70 mm	JCB-991-00095	87.89
		00657000-00659598; 00489696-00499999; 00920001-00929999; 0069599-00659999; 00760001-00764999; 00930001-00959999; 00960000-00989999; 01327000-01349999; 00480600-00489695	I-U-10	40 mm	70 mm	JCB-991-10152	125.39
SLEW/SWING		00655030-00656999	I-U-10	40 mm	70 mm	JCB-991-00095	87.89

JCB

Replacement Kits For

JCB

Backhoe Loaders							
APPLICATION	CYL #	SERIAL #	CODE	ROD	BORE	KIT #	List \$
MODEL 2CX							
SLEW/SWING		00657000-00659598; 00489696-00499999; 00920001-00929999; 0069599-00659999; 00760001-00764999; 00930001-00959999	I-U-10	40 mm	70 mm	JCB-991-10152	125.39
		00960000-00989999; 01327000-01349999	I-U-10	40 mm	70 mm	JCB-991-10151	43.13
STABILIZER		00655030-00656999	I-U-10	40 mm	70 mm	JCB-991-00095	87.89
		00657000-00659598; 00489696-00499999; 00920001-00929999; 0069599-00659999; 00760001-00764999; 00930001-00959999	I-U-10	40 mm	70 mm	JCB-991-10152	125.39
		00930001-00959999; 00960000-00989999; 01327000-01349999	I-U-10	40 mm	60 mm	JCB-991-10081	61.19
STEERING		00655030-00656999	I-U-10	30 mm	60 mm	JCB-991-00052	83.05
		00657000-00659598; 00489696-00499999; 00920001-00929999; 0069599-00659999; 00760001-00764999; 00930001-00959999; 00960000-00989999; 01327000-01349999; 00480600-00489695	I-U-10	30 mm	60 mm	JCB-991-00098	83.05
TOW HITCH		00659599-00659598; 00760001-00764999	I-U-10	25 mm	50 mm	JCB-991-00097	75.27
MODEL 3C MIII							
BACKHOE BUCKET		M125001-M290000	I-SP-13	2"	4"	JCB-991-00003	95.60
BACKHOE DIPPER		M125001-M290000	I-SP-13	2"	4"	JCB-991-00003	95.60
BACKHOE GRAB		M125001-M290000	I-U-15	2-1/2"	4-1/2"	JCB-991-00008	183.88
DIPPER EXTENSION		M125001-M290000	I-U-15	2"	3-5/8"	JCB-991-00002	142.13
JAW BUCKET		M125001-M290000	I-SP-13	2"	4"	JCB-991-00003	95.60
LOADER BOOM		M125001-M290000	I-U-15	2"	4-1/2"	JCB-991-00004	136.23
LOADER LIFT		M125001-M290000	I-SP-13	2"	4"	JCB-991-00003	95.60
LOADER STABILIZER		M125001-M290000	I-U-15	2"	3-5/8"	JCB-991-00002	142.13
LOADER TILT		M125001-M290000	I-U-15	2"	3-5/8"	JCB-991-00002	142.13
POLE PLANTER RAM		M125001-M290000	I-SP-15	1-1/2"	2-3/4"	JCB-991-00001	103.72
STEERING		M125001-M290000	I-U-15	1"	2"	JCB-991-00009	66.12
MODEL 3CX							
BACKHOE BUCKET		-->M319999	I-U-15	50 mm	90 mm	JCB-991-00013	78.49
		M320000-UP	I-U-15	50 mm	90 mm	JCB-991-00096	177.13
BACKHOE BOOM & STICK		-->M319999	I-U-15	60 mm	100 mm	JCB-991-00012	86.36
		M320000-UP	I-U-15	60 mm	100 mm	JCB-991-00055	191.99
BOOM HEAVY LIFT		0930000-0959999 2001-2005	I-U-10	65 mm	120 mm	JCB-991-20038	129.46
BOOM HEAVY LIFT 14'		0960000-1709999 2004-2010	I-U-10	65 mm	120 mm	JCB-991-20038	129.46
BOOM STD LIFT		0930000-0959999 2001-2005	I-U-10	60 mm	110 mm	JCB-991-20030	90.87
		0960000-1709999 2004-2010	I-U-10	60 mm	110 mm	JCB-991-20030	90.87
BUCKET		0960000-1709999 2004-2010	P-UB-10	60 mm	90 mm	JCB-332-E8224	92.48
BUCKET EXTRADIG DIPPER		0930000-0959999 2001-2005	I-U-10	60 mm	90 mm	JCB-991-00147P	148.89
BUCKET MONO DIPPER		0930000-0959999 2001-2005	I-U-10	60 mm	90 mm	JCB-991-00147P	148.89

JCB

Replacement Kits For

JCB

Backhoe Loaders							
APPLICATION	CYL #	SERIAL #	CODE	ROD	BORE	KIT #	List \$
MODEL 3CX							
BUCKET MONO DIPPER 14'		0960000-1709999 2004-2010	P-UB-10	60 mm	90 mm	JCB-332-E8224	92.48
CLAMSHOVEL 6 IN 1		0930000-0959999 2001-2005	P-U-10	40 mm	70 mm	JCB-991-20021	76.88
		0960000-1709999 2004-2010	P-U-10	40 mm	70 mm	JCB-991-20021	76.88
DIPPER 14' STANDARD LIFT		0960000-1709999 2004-2010	I-UB-10	60 mm	100 mm	JCB-991-20023	93.65
DIPPER HEAVY LIFT		0930000-0959999 2001-2005	I-U-10	60 mm	110 mm	JCB-991-00148P	163.47
DIPPER HEAVY LIFT - USA		0960000-1709999 2004-2010	I-U-10	60 mm	110 mm	JCB-991-00148P	163.47
DIPPER STD LIFT		0930000-0959999 2001-2005	I-UB-10	60 mm	100 mm	JCB-991-20023	93.65
EXTENSION EXTRADIG DIPPER		0930000-0959999 2001-2005	P-U-10	40 mm	70 mm	JCB-991-20021	76.88
		0960000-1709999 2004-2010	P-U-10	40 mm	70 mm	JCB-991-20021	76.88
JAW BUCKET		0960000-1709999 2004-2010	I-SP-13	2"	4"	JCB-991-00003	95.60
LIFT OPTIONAL		0930000-0959999 2001-2005	I-UB-10	50 mm	90 mm	JCB-991-20009	120.52
LIFT STD		0930000-0959999 2001-2005	I-UB-10	50 mm	80 mm	JCB-991-20022	58.04
		0960000-1709999 2004-2010	I-UB-10	50 mm	80 mm	JCB-991-20022	58.04
LOADER LIFT		-->M319999	I-U-15	50 mm	80 mm	JCB-991-00016	92.27
		M320000-UP	I-U-15	50 mm	80 mm	JCB-991-00061	178.53
LOADER TILT		-->M319999	I-U-15	40 mm	70 mm	JCB-991-00015	51.33
		M320000-UP	I-U-15	40 mm	70 mm	JCB-991-00122	84.05
QUICKHITCH		0930000-0959999 2001-2005	I-U-15	1/2"	25 mm	JCB-548-12801	12.64
		0960000-1709999 2004-2010	I-U-15	1/2"	25 mm	JCB-548-12801	12.64
QUICKHITCH ATTACHMENT		0930000-0959999 2001-2005	I-U-10	25 mm	50 mm	JCB-991-20019	51.77
		0960000-1709999 2004-2010	I-U-10	25 mm	50 mm	JCB-991-20019	51.77
QUICKHITCH SHOVEL		0960000-1709999 2004-2010	I-U-15	1/2"	25 mm	JCB-548-12801	12.64
SHOVEL		0930000-0959999 2001-2005	P-U-10	40 mm	70 mm	JCB-991-20021	76.88
		0960000-1709999 2004-2010	P-U-10	40 mm	70 mm	JCB-991-20021	76.88
SLEW/SWING CENTREMOUNT		0960000-1709999 2004-2010	I-U-10	60 mm	100 mm	JCB-991-20039	99.18
SLEW/SWING SIDESHIFT		0960000-1709999 2004-2010	I-U-10	60 mm	100 mm	JCB-991-20039	99.18
STABILIZER - Heavy Duty		-->M319999	I-U-15	60 mm	100 mm	JCB-991-00012	86.36
		M320000-UP	I-U-15	60 mm	100 mm	JCB-991-00055	191.99
STABILIZER - Standard		-->M319999	I-U-15	40 mm	70 mm	JCB-991-00015	51.33
		M320000-UP	I-U-15	40 mm	70 mm	JCB-991-00122	84.05
STABILIZER CENTREMOUNT		0960000-1709999 2004-2010	I-UB-10	60 mm	100 mm	JCB-991-20023	93.65
STABILIZER SIDESHIFT		0930000-0959999 2001-2005	P-U-10	40 mm	70 mm	JCB-991-20021	76.88
		0960000-1709999 2004-2010	P-U-10	40 mm	70 mm	JCB-991-20021	76.88
STEERING 2WD		0960000-1709999 2004-2010	I-U-10	45 mm	75 mm	JCB-991-00156	141.26

JCB

Replacement Kits For

JCB

Backhoe Loaders							
APPLICATION	CYL #	SERIAL #	CODE	ROD	BORE	KIT #	List \$
MODEL 3CX							
STEERING 4WD		0960000-1709999 2004-2010	I-U-10	45 mm	75 mm	JCB-991-00156	141.26
STEERING-2WD		M290000-M300725	I-U-15	30 mm	60 mm	JCB-991-00017	89.96
		M300726-M337000	I-U-14	30 mm	60 mm	JCB-991-00021	71.86
		M337001-M356443	I-U-15	30 mm	70 mm	JCB-991-00036	76.81
STEERING-4WD		M290000-M297207	I-U-15	30 mm	60 mm	JCB-991-00017	89.96
		M297208-M319999	I-U-14	30 mm	60 mm	JCB-991-00020	44.32
		M320000-M337000	I-U-14	30 mm	60 mm	JCB-991-00021	71.86
STICK EXTENSION		-->M319999	I-U-15	40 mm	70 mm	JCB-991-00015	51.33
		M320000-UP	I-U-15	40 mm	70 mm	JCB-991-00122	84.05
SWING		-->M319999	I-U-15	60 mm	100 mm	JCB-991-00012	86.36
		M320000-UP	I-U-15	60 mm	100 mm	JCB-991-00055	191.99
	557-60018	M921696	I-U-10	50 mm	90 mm	JCB-991-00163	92.97
SWING w/ Side Shift		-->M319999	N-N-15		110 mm	JCB-991-00018	47.24
MODEL 3CX COMPACT 10'							
BOOM		2454201-2496000	I-UB-10	50 mm	90 mm	JCB-991-20009	120.52
BUCKET CROWD		2454201-2496000	P-U-10	40 mm	70 mm	JCB-991-20021	76.88
CLAMSHOVEL 6 IN 1		2454201-2496000	I-U-10	30 mm	60 mm	JCB-991-20024	62.17
CROWD/TILT SHOVEL		2454201-2496000	P-U-10	40 mm	70 mm	JCB-991-20021	76.88
CROWD/TILT SHOVEL WITH RESET		2454201-2496000	P-U-10	40 mm	70 mm	JCB-991-20021	76.88
DIPPER 10'		2454201-2496000	I-UB-10	50 mm	90 mm	JCB-991-20009	120.52
EXTENDING DIPPER		2454201-2496000	I-U-10	30 mm	60 mm	JCB-991-20024	62.17
LOADER LIFT		2454201-2496000	I-U-10	50 mm	70 mm	JCB-991-00105P	132.90
SLEW/SWING		2454201-2496000	P-U-10	40 mm	70 mm	JCB-991-20021	76.88
STEERING		2454201-2496000	I-U-10	30 mm	60 mm	JCB-991-20024	62.17
MODEL 3CX COMPACT 12'							
BOOM		2454201-2496000	I-UB-10	50 mm	90 mm	JCB-991-20009	120.52
BUCKET CROWD		2454201-2496000	P-U-10	40 mm	70 mm	JCB-991-20021	76.88
CLAMSHOVEL 6 IN 1		2454201-2496000	I-U-10	30 mm	60 mm	JCB-991-20024	62.17
CROWD/TILT SHOVEL		2454201-2496000	P-U-10	40 mm	70 mm	JCB-991-20021	76.88
CROWD/TILT SHOVEL WITH RESET		2454201-2496000	P-U-10	40 mm	70 mm	JCB-991-20021	76.88
DIPPER 12'		2454201-2496000	I-UB-10	50 mm	90 mm	JCB-991-20009	120.52
EXTENDING DIPPER		2454201-2496000	I-U-10	30 mm	60 mm	JCB-991-20024	62.17
LOADER LIFT		2454201-2496000	I-U-10	50 mm	70 mm	JCB-991-00105P	132.90
SLEW/SWING		2454201-2496000	P-U-10	40 mm	70 mm	JCB-991-20021	76.88
STEERING		2454201-2496000	I-U-10	30 mm	60 mm	JCB-991-20024	62.17
MODEL 3CX SITEMASTER							
BACHOE BOOM		M320000-UP	I-U-15	60 mm	110 mm	JCB-991-00058	120.35
BACKHOE BUCKET		M320000-UP	I-U-15	50 mm	90 mm	JCB-991-00096	177.13
LOADER LIFT		M320000-UP	I-U-15	50 mm	80 mm	JCB-991-00061	178.53
LOADER TILT		M320000-UP	I-U-15	40 mm	70 mm	JCB-991-00122	84.05
STABILIZER - Heavy Duty		M320000-UP	I-U-15	60 mm	100 mm	JCB-991-00055	191.99
STABILIZER - Standard		M320000-UP	I-U-15	40 mm	70 mm	JCB-991-00122	84.05
STEERING-2WD		M300726-M337000	I-U-14	30 mm	60 mm	JCB-991-00021	71.86
		M337001-M356443	I-U-15	30 mm	70 mm	JCB-991-00036	76.81
STEERING-4WD		M290000-M297206	I-U-15	30 mm	60 mm	JCB-991-00017	89.96
		M297207-M319999	I-U-14	30 mm	60 mm	JCB-991-00020	44.32
		M320000-M337000	I-U-14	30 mm	60 mm	JCB-991-00021	71.86
STICK		M320000-UP	I-U-15	60 mm	100 mm	JCB-991-00055	191.99
STICK EXTENSION		M320000-UP	I-U-15	40 mm	70 mm	JCB-991-00122	84.05
SWING		M320000-UP	I-U-15	60 mm	100 mm	JCB-991-00055	191.99
MODEL 3CX TURBO							
BOOM			I-U-10	65 mm	120 mm	JCB-991-00115	73.21
			I-U-10	60 mm	110 mm	JCB-991-00110	146.02

JCB

Replacement Kits For

JCB

Backhoe Loaders							
APPLICATION	CYL #	SERIAL #	CODE	ROD	BORE	KIT #	List \$
MODEL 3CX TURBO							
BUCKET			P-UB-10	60 mm	90 mm	JCB-332-E8224	92.48
CLAMSHOVEL			I-U-10	40 mm	70 mm	JCB-991-10151	43.13
DIPPER LIFT			I-U-10	60 mm	100 mm	JCB-991-00145	115.32
			I-U-10	60 mm	110 mm	JCB-991-00148	163.47
EXTENSION			P-U-10	40 mm	70 mm	JCB-332-D4850	76.88
JAW BUCKET			I-SP-13	2"	4"	JCB-991-00003	95.60
LOADER LIFT			I-U-10	50 mm	90 mm	JCB-991-00103	86.99
			I-U-10	50 mm	80 mm	JCB-991-00102	111.98
QUICK HITCH ATTACHMENT			I-U-10	25 mm	50 mm	JCB-991-00097	75.27
QUICK HITCH SHOVEL			I-U-15	1/2"	25 mm	JCB-548-12801	12.64
SHOVEL LOADER BUCKET			I-U-10	40 mm	70 mm	JCB-991-10151	43.13
STABILIZER			I-U-10	45 mm	75 mm	JCB-991-00156	141.26
STEERING			I-U-10	45 mm	75 mm	JCB-991-00156	141.26
SWING SIDESHIFT			I-U-10	25 mm	50 mm	JCB-991-00171	100.05
				60 mm	100 mm	JCB-991-10142	95.90
MODEL 3CX-2WD							
BOOM HEAVY LIFT	563-70029	0930000-0959999 2002-2005	I-U-10	65 mm	120 mm	JCB-991-20038	129.46
BOOM STANDARD LIFT	561-70063	0930000-0959999 2002-2005	I-U-10	60 mm	110 mm	JCB-991-20030	90.87
BUCKET EXTRADIG DIPPER	557-70030	0930000-0959999 2002-2005	I-U-10	60 mm	90 mm	JCB-991-00147P	148.89
BUCKET MONO DIPPER	557-70031	0930000-0959999 2002-2005	I-U-10	60 mm	90 mm	JCB-991-00147P	148.89
CLAMSHOVEL 6 IN 1	556-70345	0930000-0959999 2002-2005	P-U-10	40 mm	70 mm	JCB-991-20021	76.88
DIPPER EXTENSION EXTRADIG	556-70339	0930000-0959999 2002-2005	P-U-10	40 mm	70 mm	JCB-991-20021	76.88
DIPPER HEAVY LIFT	561-70082	0930000-0959999 2002-2005	I-U-10	60 mm	110 mm	JCB-991-00148P	163.47
	561-70155	0930000-0959999 2002-2005	I-U-10	60 mm	110 mm	JCB-991-00148P	163.47
DIPPER STANDARD LIFT	559-70171	0930000-0959999 2002-2005	I-U-10	60 mm	100 mm	JCB-991-00145	115.32
	559-70229	0930000-0959999 2002-2005	I-UB-10	60 mm	100 mm	JCB-991-20023	93.65
LIFT OPTIONAL	557-70190	0930000-0959999 2002-2005	I-UB-10	50 mm	90 mm	JCB-991-20009	120.52
LIFT STANDARD	576-70127	0930000-0959999 2002-2005	I-UB-10	50 mm	80 mm	JCB-991-20022	58.04
	576-70222	0930000-0959999 2002-2005	I-UB-10	50 mm	80 mm	JCB-991-20022	58.04
QUICKHITCH	331-39954	0930000-0959999 2002-2005	I-U-15	1/2"	25 mm	JCB-548-12801	12.64
	531-96701	0930000-0959999 2002-2005	I-U-15	1/2"	25 mm	JCB-548-12801	12.64
SHOVEL	556-70335	0930000-0959999 2002-2005	I-U-10	40 mm	70 mm	JCB-991-10151	43.13
SLEW/SWING CENTREMOUNT	559-70041	0930000-0959999 2002-2005	I-U-10	60 mm	100 mm	JCB-991-00152P	110.58
SLEW/SWING SIDESHIFT	559-70191 40mm	0930000-0959999 2002-2005	I-U-10	60 mm	100 mm	JCB-991-20039	99.18
	559-70215 27mm	0930000-0959999 2002-2005	I-U-10	60 mm	100 mm	JCB-991-20039	99.18
STABILIZER CENTREMOUNT	559-70202	0930000-0959999 2002-2005	I-UB-10	60 mm	100 mm	JCB-991-20023	93.65
STEERING 2WD	573-20000	0930000-0959999 2002-2005	I-U-10	45 mm	75 mm	JCB-991-00156	141.26

JCB

Backhoe Loaders							
APPLICATION	CYL #	SERIAL #	CODE	ROD	BORE	KIT #	List \$
MODEL 3CX-4WD							
BOOM HEAVY LIFT	563-70029	0930000-0959999 2002-2005	I-U-10	65 mm	120 mm	JCB-991-20038	129.46
BOOM STANDARD LIFT	561-70063	0930000-0959999 2002-2005	I-U-10	60 mm	110 mm	JCB-991-20030	90.87
BUCKET EXTRADIG DIPPER	557-60210	0930000-0959999 2002-2005	I-U-10	60 mm	90 mm	JCB-991-00147P	148.89
	557-70030	0930000-0959999 2002-2005	I-U-10	60 mm	90 mm	JCB-991-00147	148.89
BUCKET MONO DIPPER	557-60212	0930000-0959999 2002-2005	I-U-10	60 mm	90 mm	JCB-991-00147P	148.89
	557-70031	0930000-0959999 2002-2005	I-U-10	60 mm	90 mm	JCB-991-00147	148.89
CLAMSHOVEL 6 IN 1	556-60401	0930000-0959999 2002-2005	P-U-10	40 mm	70 mm	JCB-991-20021	76.88
	556-70345	0930000-0959999 2002-2005	I-U-10	40 mm	70 mm	JCB-991-10151	43.13
DIPPER EXTENSION EXTRADIG	556-70339	0930000-0959999 2002-2005	P-U-10	40 mm	70 mm	JCB-991-20021	76.88
DIPPER HEAVY LIFT	561-70082	0930000-0959999 2005-2005	I-U-10	60 mm	110 mm	JCB-991-00148P	163.47
	561-70155	0930000-0959999 2005-2005	I-U-10	60 mm	110 mm	JCB-991-00148P	163.47
DIPPER STANDARD LIFT	559-70229	0930000-0959999 2005-2005	I-UB-10	60 mm	100 mm	JCB-991-20023	93.65
LIFT OPTIONAL	557-70190	0930000-0959999 2002-2005	I-UB-10	50 mm	90 mm	JCB-991-20009	120.52
LIFT STANDARD	576-70127	0930000-0959999 2002-2005	I-UB-10	50 mm	80 mm	JCB-991-20022	58.04
	576-70222	0930000-0959999 2002-2005	I-UB-10	50 mm	80 mm	JCB-991-20022	58.04
QUICKHITCH	331-39954	0930000-0959999 2002-2005	I-U-15	1/2"	25 mm	JCB-548-12801	12.64
	531-96701	0930000-0959999 2002-2005	I-U-15	1/2"	25 mm	JCB-548-12801	12.64
SHOVEL	556-70359	0930000-0959999 2002-2005	P-U-10	40 mm	70 mm	JCB-991-20021	76.88
	556-70361	0930000-0959999 2002-2005	P-U-10	40 mm	70 mm	JCB-991-20021	76.88
SLEW/SWING CENTREMOUNT	559-70041	0930000-0959999 2002-2005	I-U-10	60 mm	100 mm	JCB-991-00152P	110.58
SLEW/SWING SIDEHSIFT	559-70191 40mm	0930000-0959999 2002-2005	I-U-10	60 mm	100 mm	JCB-991-20039	99.18
	559-70215 27mm	0930000-0959999 2002-2005	I-U-10	60 mm	100 mm	JCB-991-20039	99.18
STABILIZER CENTREMOUNT	559-70202	0930000-0959999 2002-2005	I-UB-10	60 mm	100 mm	JCB-991-20023	93.65
STEERING 4WD	573-20001	0930000-0959999 2002-2005	I-U-10	45 mm	75 mm	JCB-991-00156	141.26
MODEL 3CX-4WD TURBO							
BOOM STANDARD LIFT	561-70063	0480988-0499999; 0920001-0929999	I-U-10	60 mm	110 mm	JCB-991-20030	90.87
BUCKET EXTRADIG DIPPER	557-60210	0480988-0499999; 0920001-0929999	I-U-10	60 mm	90 mm	JCB-991-00147P	148.89
	557-70030	0480988-0499999; 0920001-0929999	I-U-10	60 mm	90 mm	JCB-991-00147	148.89
BUCKET MONO DIPPER	557-60212	0480988-0499999; 0920001-0929999	I-U-10	60 mm	90 mm	JCB-991-00147P	148.89
	557-70031	0480988-0499999; 0920001-0929999	I-U-10	60 mm	90 mm	JCB-991-00147	148.89
CLAMSHOVEL 6 IN 1	556-70051	0480988-0499999; 0920001-0929999	P-U-10	40 mm	70 mm	JCB-991-20021	76.88

Replacement Kits For

JCB

Backhoe Loaders							
APPLICATION	CYL #	SERIAL #	CODE	ROD	BORE	KIT #	List \$
MODEL 3CX-4WD TURBO							
DIPPER EXTENSION EXTRADIG	556-70474	0480988-0499999; 0920001-0929999	P-U-10	40 mm	70 mm	JCB-991-20021	76.88
DIPPER STANDARD LIFT	559-70062	0480988-0499999; 0920001-0929999	I-UB-10	60 mm	100 mm	JCB-991-20023	93.65
	559-70077	0480988-0499999; 0920001-0929999	I-UB-10	60 mm	100 mm	JCB-991-20023	93.65
JAW BUCKET	560-34400	0480988-0499999; 0920001-0929999	I-SP-13	2"	4"	JCB-991-00003	95.60
LIFT STANDARD	576-60083	0480988-0499999; 0920001-0929999	I-UB-10	50 mm	80 mm	JCB-991-20022	58.04
	576-70010	0480988-0499999; 0920001-0929999	I-UB-10	50 mm	80 mm	JCB-991-20022	58.04
	576-70080	0480988-0499999; 0920001-0929999	I-U-10	50 mm	80 mm	JCB-991-00102	111.98
QUICKHITCH	531-96701	0480988-0499999; 0920001-0929999	I-U-15	1/2"	25 mm	JCB-548-12801	12.64
SHOVEL	556-70473	0480988-0499999; 0920001-0929999	P-U-10	40 mm	70 mm	JCB-991-20021	76.88
SLEW/SWING CENTREMOUNT	559-70041	0480988-0499999; 0920001-0929999	I-U-10	60 mm	100 mm	JCB-991-00152P	110.58
STABILIZER CENTREMOUNT	559-60248	0480988-0499999; 0920001-0929999	I-UB-10	60 mm	100 mm	JCB-991-20023	93.65
	559-70063	0480988-0499999; 0920001-0929999	I-UB-10	60 mm	100 mm	JCB-991-20023	93.65
	559-70152	0480988-0499999; 0920001-0929999	I-U-10	60 mm	100 mm	JCB-991-00145	115.32
STEERING 4WD	573-20001	0480988-0499999; 0920001-0929999	I-U-10	45 mm	75 mm	JCB-991-00156	141.26
MODEL 3D							
ARM		M320000 UP	I-U-15	60 mm	100 mm	JCB-991-00130	191.99
		to M319999	I-U-15	60 mm	100 mm	JCB-991-00012	86.36
BOOM		M320000 UP	I-U-15	60 mm	110 mm	JCB-991-00131	120.35
		to M319999	I-U-15	60 mm	110 mm	JCB-991-00014	83.00
BUCKET		M320000 UP	I-U-15	50 mm	90 mm	JCB-991-00127	177.13
		to M319999	I-U-15	50 mm	90 mm	JCB-991-00013	78.49
EXTENSION		M320000 UP	I-U-15	40 mm	70 mm	JCB-991-00122	84.05
		to M319999	I-U-15	40 mm	70 mm	JCB-991-00015	51.33
JAW BUCKET		to M319999 - M320000 UP	I-SP-13	2"	4"	JCB-991-00003	95.60
LIFT		M320000 UP	I-U-15	50 mm	80 mm	JCB-991-00123	119.67
		to M319999	I-U-15	50 mm	80 mm	JCB-991-00016	92.27
SLEW CENTER MOUNT		to M319999	I-U-15	60 mm	100 mm	JCB-991-00012	86.36
SLEW SIDE SHIFT		to M319999	N-N-15		110 mm	JCB-991-00018	47.24
STABILIZER		M400000 UP	I-U-10	40 mm	70 mm	JCB-991-00095	87.89
STABILIZER 2WD		M356444 UP	I-U-10	30 mm	70 mm	JCB-991-00099	87.97
STABILIZER HD		M320000 UP	I-U-15	60 mm	100 mm	JCB-991-00130	191.99
		to M319999	I-U-15	60 mm	100 mm	JCB-991-00012	86.36
STABILIZER STD		M320000 UP	I-U-15	40 mm	70 mm	JCB-991-00122	84.05
		to M319999	I-U-15	40 mm	70 mm	JCB-991-00015	51.33
TILT		M320000 UP	I-U-15	40 mm	70 mm	JCB-991-00122	84.05
		to M319999	I-U-15	40 mm	70 mm	JCB-991-00015	51.33
MODEL 3D MKII							
ARM			I-U-15	2-1/2"	4-1/2"	JCB-991-00008	183.88
BOOM			I-U-15	2-1/2"	4-1/2"	JCB-991-00008	183.88
BUCKET / JAW BUCKET			I-SP-13	2"	4"	JCB-991-00003	95.60
LIFT			I-U-15	2-1/2"	4"	JCB-991-00005	177.27
SLEW HD			N-N-13		5"	JCB-991-00010	98.20
SLEW STD			N-N-8		4-1/2"	JCB-991-00011	149.06

JCB

Replacement Kits For

JCB

Backhoe Loaders							
APPLICATION	CYL #	SERIAL #	CODE	ROD	BORE	KIT #	List \$
MODEL 3D MKII							
STABILIZER			I-U-15	2"	3-5/8"	JCB-991-00002	142.13
STEERING			I-U-15	1"	2"	JCB-991-00009	66.12
TILT			I-SP-13	2"	4"	JCB-991-00003	95.60
MODEL 3D MKIII							
ARM		M125001-M290000	I-U-15	2-1/2"	4-1/2"	JCB-991-00008	183.88
BUCKET		M125001-M290000	I-SP-13	2"	4"	JCB-991-00003	95.60
DIPPER		M125001-M290000	I-U-15	2-1/2"	4-1/2"	JCB-991-00008	183.88
EXTENSION		M125001-M290000	I-SP-15	1-1/2"	2-3/4"	JCB-991-00001	103.72
GRAB		M125001-M290000	I-U-15	2-1/2"	4-1/2"	JCB-991-00008	183.88
GRAB 6 IN 1		M125001-M290000	I-U-15	2"	3-5/8"	JCB-991-00002	142.13
JAW BUCKET		M125001-M290000	I-SP-13	2"	4"	JCB-991-00003	95.60
LOADER BOOM		M125001-M290000	I-U-15	2-1/2"	4-1/2"	JCB-991-00008	183.88
LOADER LIFT		M125001-M290000	I-U-15	2-1/2"	4"	JCB-991-00005	177.27
LOADER TILT		M125001-M290000	I-SP-13	2"	4"	JCB-991-00003	95.60
		M125986	I-U-15	63 mm	5"	JCB-991-00007	343.82
POLE PLANTER RAM		M125001-M290000	I-SP-15	1-1/2"	2-3/4"	JCB-991-00001	103.72
STABILIZER		M125001-M290000	I-U-15	2"	3-5/8"	JCB-991-00002	142.13
STEERING		M125001-M290000	I-U-15	1"	2"	JCB-991-00009	66.12
MODEL 4CN, 4C TURBO							
BACKHOE BOOM		-->M319999	I-U-15	60 mm	110 mm	JCB-991-00014	83.00
		M320000-UP	I-U-15	60 mm	110 mm	JCB-991-00058	120.35
BACKHOE BUCKET		-->M319999	I-U-15	50 mm	90 mm	JCB-991-00013	78.49
		M320000-UP	I-U-15	50 mm	90 mm	JCB-991-00096	177.13
LOADER LIFT		-->M319999	I-U-15	50 mm	80 mm	JCB-991-00016	92.27
		M320000-UP	I-U-15	50 mm	80 mm	JCB-991-00061	178.53
LOADER TILT		-->M319999	I-U-15	40 mm	70 mm	JCB-991-00015	51.33
		M320000-UP	I-U-15	40 mm	70 mm	JCB-991-00122	84.05
STABILIZER		-->M319999	I-U-15	60 mm	100 mm	JCB-991-00012	86.36
		M320000-UP	I-U-15	60 mm	100 mm	JCB-991-00055	191.99
STEERING-2WD		M290000-M300725	I-U-15	30 mm	60 mm	JCB-991-00017	89.96
		M300726-M337000	I-U-14	30 mm	60 mm	JCB-991-00021	71.86
STEERING-4WD		M290000-M297207	I-U-15	30 mm	60 mm	JCB-991-00017	89.96
		M297208-M319999	I-U-14	30 mm	60 mm	JCB-991-00020	44.32
		M320000-M337000	I-U-14	30 mm	60 mm	JCB-991-00021	71.86
		M337001-M356443	I-U-15	30 mm	70 mm	JCB-991-00036	76.81
STICK		-->M319999	I-U-15	60 mm	100 mm	JCB-991-00012	86.36
		M320000-UP	I-U-15	60 mm	100 mm	JCB-991-00055	191.99
STICK EXTENSION		-->M319999	I-U-15	40 mm	70 mm	JCB-991-00015	51.33
		M32000-UP	I-U-15	40 mm	70 mm	JCB-991-00122	84.05
SWING - Heavy Duty		-->M319999	I-U-15	60 mm	110 mm	JCB-991-00014	83.00
		M32000-UP	I-U-15	60 mm	110 mm	JCB-991-00058	120.35
SWING - Standard		-->M319999	I-U-15	60 mm	100 mm	JCB-991-00012	86.36
		M320000-UP	I-U-15	60 mm	100 mm	JCB-991-00055	191.99
MODEL 208S, 208S HF							
BOOM	556-60025	M751600-UP	I-U-10	40 mm	70 mm	JCB-991-00100	87.89
BUCKET 7' 3"	556-60026	M751600-UP	I-U-10	40 mm	70 mm	JCB-991-00100	87.89
BUCKET 8' 4"	556-60049	M751600-UP	I-U-10	40 mm	70 mm	JCB-991-00100	87.89
CLAMSHOVEL	551-60021	M751600-UP	I-U-10	25 mm	50 mm	JCB-991-00097	75.27
	980-38800	M751600-UP	I-U-10	25 mm	50 mm	JCB-991-00097	75.27
DIPPER	556-60027	M751600-UP	I-U-10	40 mm	70 mm	JCB-991-00100	87.89
HIGHTIP	997-07700	M751600-UP	I-U-15	1-3/8"	2"	JCB-903-10301	67.38
LIFT	553-60005	M751600-UP	I-U-10	30 mm	60 mm	JCB-991-00098	83.05
SHOVEL	553-60004	M751600-UP	I-U-10	30 mm	60 mm	JCB-991-00098	83.05
SIDETIP	997-0090	M751600-UP	I-U-15	1-1/2"	2-1/2"	JCB-997-00908	210.79
STABILIZER	553-60006	M751600-UP	I-U-10	30 mm	60 mm	JCB-991-00098	83.05

JCB

Replacement Kits For

JCB

Backhoe Loaders							
APPLICATION	CYL #	SERIAL #	CODE	ROD	BORE	KIT #	List \$
MODEL 210S, 210SU							
BUCKET	556-60000	M762248-M769999	I-U-10	40 mm	70 mm	JCB-991-00100	87.89
EXTENSION	553-60010	M762248-M769999	I-U-10	30 mm	60 mm	JCB-991-00098	83.05
	553-60022	M762248-M769999	I-U-10	30 mm	60 mm	JCB-991-00098	83.05
LIFT	556-60017	M762248-M769999	I-U-10	40 mm	70 mm	JCB-991-00100	87.89
LIFT LH	556-60023	M762248-M769999	I-U-10	40 mm	70 mm	JCB-991-00100	87.89
LIFT RH	556-60024	M762248-M769999	I-U-10	40 mm	70 mm	JCB-991-00100	87.89
SHOVEL	556-60084	M762248-M769999	I-U-10	40 mm	70 mm	JCB-991-00100	87.89
STABILIZER	556-60003	M762248-M769999	I-U-10	40 mm	70 mm	JCB-991-00100	87.89
	556-60093	M762248-M769999	I-U-10	40 mm	70 mm	JCB-991-00100	87.89
SWING	556-60010	M762248-M769999	I-U-10	40 mm	70 mm	JCB-991-00100	87.89
MODEL 214							
BOOM	561-39000	M400001-M430000	I-U-15	60 mm	110 mm	JCB-991-00131	120.35
	561-39100	M400001-M430000	I-U-15	60 mm	110 mm	JCB-991-00131	120.35
	561-60028	M400001-M430000	I-U-10	60 mm	110 mm	JCB-991-00110	146.02
	561-90011	M400001-M430000	I-U-10	60 mm	110 mm	JCB-991-00110	146.02
BUCKET	557-16000	M400001-M430000	I-U-15	50 mm	90 mm	JCB-991-00127	177.13
	557-16600	M400001-M430000	I-U-10	50 mm	90 mm	JCB-991-00103	86.99
	557-60006	M400001-M430000	I-U-15	50 mm	90 mm	JCB-991-00013	78.49
CLAMSHOVEL	556-31900	M400001-M430000	I-U-15	40 mm	70 mm	JCB-991-00122	84.05
	556-44000	M400001-M430000	I-U-10	40 mm	70 mm	JCB-991-00100	87.89
	556-60019	M400001-M430000	I-U-10	40 mm	70 mm	JCB-991-00100	87.89
DIPPER	559-50000	M400001-M430000	I-U-15	60 mm	100 mm	JCB-991-00055	191.99
	559-50100	M400001-M430000	I-U-15	60 mm	100 mm	JCB-991-00055	191.99
	559-60009	M400001-M430000	I-U-10	60 mm	100 mm	JCB-991-00145	115.32
	559-60019	M400001-M430000	I-U-10	60 mm	100 mm	JCB-991-00145	115.32
EXTENSION	556-31000	M400001-M430000	I-U-15	40 mm	70 mm	JCB-991-00122	84.05
	556-44500	M400001-M430000	I-U-10	40 mm	70 mm	JCB-991-00100	87.89
	556-45400	M400001-M430000	I-U-15	40 mm	70 mm	JCB-991-00122	84.05
	556-60057	M400001-M430000	I-U-10	40 mm	70 mm	JCB-991-00100	87.89
JAW BUCKET	560-34300	M400001-M430000	I-SP-13	2"	4"	JCB-991-00003	95.60
LIFT	576-22100	M400001-M430000	I-U-15	50 mm	80 mm	JCB-991-00123	119.67
	576-60000	M400001-M430000	I-U-10	50 mm	80 mm	JCB-991-00102	111.98
SHOVEL	556-28900	M400001-M430000	I-U-15	40 mm	70 mm	JCB-991-00122	84.05
	556-44700	M400001-M430000	I-U-10	40 mm	70 mm	JCB-991-00095	87.89
STABILIZER	556-43700	M400001-M430000	I-U-10	40 mm	70 mm	JCB-991-00100	87.89
	559-53600	M400001-M430000	I-U-15	60 mm	100 mm	JCB-991-00055	191.99
	559-53700	M400001-M430000	I-U-15	60 mm	100 mm	JCB-991-00055	191.99
	559-60004	M400001-M430000	I-U-10	60 mm	100 mm	JCB-991-00145	115.32
	559-60005	M400001-M430000	I-U-10	60 mm	100 mm	JCB-991-00145	115.32
STEERING	556-33800	M400001-M430000	I-U-10	30 mm	70 mm	JCB-991-00099	87.97
	556-34000	M400001-M430000	I-U-10	30 mm	70 mm	JCB-991-00099	87.97
	556-46400	M400001-M430000	I-U-10	30 mm	70 mm	JCB-991-00099	87.97
	556-46500	M400001-M430000	I-U-10	30 mm	70 mm	JCB-991-00099	87.97
SWING	557-60074	M921696-	I-U-10	50 mm	90 mm	JCB-991-00163	92.97
	559-53400	M400001-M430000	I-U-15	60 mm	100 mm	JCB-991-00055	191.99
	559-53500	M400001-M430000	I-U-15	60 mm	100 mm	JCB-991-00055	191.99
MODEL 214E							
BOOM	561-60028	M430001-UP	I-U-10	60 mm	110 mm	JCB-991-00110	146.02
BUCKET	557-60006	M430001-UP	I-U-10	50 mm	90 mm	JCB-991-00103	86.99
DIPPER	559-60019	M430001-UP	I-U-10	60 mm	100 mm	JCB-991-00145	115.32
EXTENSION	556-60057	M430001-UP	I-U-10	40 mm	70 mm	JCB-991-00100	87.89
LIFT	576-60000	M430001-UP	I-U-10	50 mm	80 mm	JCB-991-00102	111.98
SHOVEL	556-44700	M430001-UP	I-U-10	40 mm	70 mm	JCB-991-00100	87.89
STABILIZER LH	559-60004	M430001-UP	I-U-10	60 mm	100 mm	JCB-991-00145	115.32
STABILIZER RH	559-60005	M430001-UP	I-U-10	60 mm	100 mm	JCB-991-00145	115.32

JCB

Replacement Kits For

JCB

Backhoe Loaders							
APPLICATION	CYL #	SERIAL #	CODE	ROD	BORE	KIT #	List \$
MODEL 214E							
STEERING	556-46400	M430001-UP	I-U-10	30 mm	70 mm	JCB-991-00099	87.97
	556-46500	M430001-UP	I-U-10	30 mm	70 mm	JCB-991-00099	87.97
SWING	559-53400	M430001-UP	I-U-15	60 mm	100 mm	JCB-991-00055	191.99
	559-53500	M430001-UP	I-U-15	60 mm	100 mm	JCB-991-00055	191.99
MODEL 214SM-4							
BOOM LIFT	563-60028	M460001-UP	I-U-10	65 mm	120 mm	JCB-991-00115	73.21
	563-60029	M460001-UP	I-U-10	65 mm	120 mm	JCB-991-00115	73.21
BUCKET	557-60006	M460001-UP	I-U-10	50 mm	90 mm	JCB-991-00103	86.99
	557-60016	M460001-UP	I-U-10	50 mm	90 mm	JCB-991-00103	86.99
	557-60030	M460001-UP	I-U-10	60 mm	90 mm	JCB-991-00147	148.89
CLAMSHOVEL	556-60077	M460001-UP	I-U-10	40 mm	70 mm	JCB-991-00100	87.89
DIPPER LIFT	561-60060	M460001-UP	I-U-10	60 mm	110 mm	JCB-991-00148	163.47
	561-60061	M460001-UP	I-U-10	60 mm	110 mm	JCB-991-00148	163.47
	561-60071	M460001-UP	I-U-10	60 mm	110 mm	JCB-991-00148	163.47
EXTENSION	556-60057	M460001-UP	I-U-10	40 mm	70 mm	JCB-991-00100	87.89
JAW BUCKET	560-34300	M460001-UP	I-SP-13	2"	4"	JCB-991-00003	95.60
LIFT	576-60000	M460001-UP	I-U-10	50 mm	80 mm	JCB-991-00102	111.98
SHOVEL	556-44700	M460001-UP	I-U-10	40 mm	70 mm	JCB-991-00100	87.89
STABILIZER	559-60063	M460001-UP	I-U-10	60 mm	100 mm	JCB-991-00145	115.32
	559-60069	M460001-UP	I-U-10	60 mm	100 mm	JCB-991-00152	110.58
STEERING	573-20001	M460001-UP	I-U-10	45 mm	75 mm	JCB-991-00156	141.26
SWING	559-60069	M460001-UP	I-U-10	60 mm	100 mm	JCB-991-00152	110.58
MODEL 215-4 CENTERMOUNT SERIES 3							
BOOM	556-60004	M460001-UP	I-U-10	75 mm	140 mm	JCB-991-00144	262.44
BUCKET	559-60024	M460001-UP	I-U-10	60 mm	100 mm	JCB-991-00145	115.32
	559-60074	M460001-UP	I-U-10	60 mm	100 mm	JCB-991-00145	115.32
CLAMSHOVEL	556-60077	M460001-UP	I-U-10	40 mm	70 mm	JCB-991-00100	87.89
DIPPER	561-60048	M460001-UP	I-U-10	65 mm	110 mm	JCB-991-00146	136.38
	561-60085	M460001-UP	I-U-10	65 mm	110 mm	JCB-991-00146	136.38
EXTENSION	556-60057	M460001-UP	I-U-10	40 mm	70 mm	JCB-991-00100	87.89
JAW BUCKET	560-34300	M460001-UP	I-SP-13	2"	4"	JCB-991-00003	95.60
LIFT	576-60000	M460001-UP	I-U-10	50 mm	80 mm	JCB-991-00102	111.98
SHOVEL	556-44700	M460001-UP	I-U-10	40 mm	70 mm	JCB-991-00100	87.89
SHOVEL C/W Reset Bracket	556-60022	M460001-UP	I-U-10	40 mm	70 mm	JCB-991-00100	87.89
STABILIZER	559-60063	M460001-UP	I-U-10	60 mm	100 mm	JCB-991-00145	115.32
STEERING	573-10001	M460001-UP	I-U-10	45 mm	75 mm	JCB-991-00156	141.26
SWING	559-60069	M460001-UP	I-U-10	60 mm	100 mm	JCB-991-00152	110.58
MODEL 215S							
BOOM	563-22600	M400001-M430000	I-U-15	65 mm	120 mm	JCB-991-00135	151.86
	563-60007	M400001-M430000	I-U-10	65 mm	120 mm	JCB-991-00115	73.21
	565-60004	M400001-M430000	I-U-10	70 mm	130 mm	JCB-991-00120	197.24
BUCKET	557-16000	M400001-M430000	I-U-15	50 mm	90 mm	JCB-991-00127	177.13
	557-16600	M400001-M430000	I-U-10	50 mm	90 mm	JCB-991-00103	86.99
CLAMSHOVEL	553-13800	M400001-M430000	I-U-15	40 mm	70 mm	JCB-991-00122	84.05
	556-44000	M400001-M430000	I-U-10	40 mm	70 mm	JCB-991-00095	87.89
	556-60019	M400001-M430000	I-U-10	40 mm	70 mm	JCB-991-00095	87.89
	556-60051	M400001-M430000	I-U-10	40 mm	70 mm	JCB-991-00095	87.89
DIPPER	559-50200	M400001-M430000	I-U-15	60 mm	100 mm	JCB-991-00130	191.99
	559-60013	M400001-M430000	I-U-10	60 mm	100 mm	JCB-991-00145	115.32
EXTENSION	556-31000	M400001-M430000	I-U-15	40 mm	70 mm	JCB-991-00122	84.05
	556-44500	M400001-M430000	I-U-10	40 mm	70 mm	JCB-991-00095	87.89
	556-45400	M400001-M430000	I-U-15	40 mm	70 mm	JCB-991-00122	84.05
JAW BUCKET	560-34300	M400001-M430000	I-SP-13	2"	4"	JCB-991-00003	95.60
LIFT	557-13100	M400001-M430000	I-U-15	50 mm	90 mm	JCB-991-00127	177.13
	557-16100	M400001-M430000	I-U-15	50 mm	90 mm	JCB-991-00127	177.13

JCB

Replacement Kits For

JCB

Backhoe Loaders							
APPLICATION	CYL #	SERIAL #	CODE	ROD	BORE	KIT #	List \$
MODEL 215S							
LIFT	557-60000	M400001-M430000	I-U-10	50 mm	90 mm	JCB-991-00103	86.99
	557-60004	M400001-M430000	I-U-10	50 mm	90 mm	JCB-991-00103	86.99
SHOVEL	556-28900	M400001-M430000	I-U-15	40 mm	70 mm	JCB-991-00122	84.05
	556-44700	M400001-M430000	I-U-10	40 mm	70 mm	JCB-991-00095	87.89
	556-60022	M400001-M430000	I-U-10	40 mm	70 mm	JCB-991-00095	87.89
STABILIZER	559-53600	M400001-M430000	I-U-15	60 mm	100 mm	JCB-991-00130	191.99
	559-53700	M400001-M430000	I-U-15	60 mm	100 mm	JCB-991-00130	191.99
	559-60004	M400001-M430000	I-U-10	60 mm	100 mm	JCB-991-00145	115.32
	559-60005	M400001-M430000	I-U-10	60 mm	100 mm	JCB-991-00145	115.32
STEERING LH - Front	553-09600	M400001-M430000	I-U-10	30 mm	60 mm	JCB-991-00098	83.05
	553-13400	M400001-M430000	I-U-10	30 mm	60 mm	JCB-991-00098	83.05
STEERING LH - Rear	553-09800	M400001-M430000	I-U-10	30 mm	60 mm	JCB-991-00098	83.05
	553-13800	M400001-M430000	I-U-10	30 mm	60 mm	JCB-991-00098	83.05
	553-14100	M400001-M430000	I-U-10	30 mm	60 mm	JCB-991-00098	83.05
STEERING RH - Front	553-09700	M400001-M430000	I-U-10	30 mm	60 mm	JCB-991-00098	83.05
	553-13600	M400001-M430000	I-U-10	30 mm	60 mm	JCB-991-00098	83.05
STEERING RH - Rear	553-09900	M400001-M430000	I-U-10	30 mm	60 mm	JCB-991-00098	83.05
	553-13800	M400001-M430000	I-U-10	30 mm	60 mm	JCB-991-00098	83.05
	553-14300	M400001-M430000	I-U-10	30 mm	60 mm	JCB-991-00098	83.05
SWING	559-52800	M400001-M430000	I-U-15	60 mm	100 mm	JCB-991-00130	191.99
	559-52900	M400001-M430000	I-U-15	60 mm	100 mm	JCB-991-00130	191.99
	559-53400	M400001-M430000	I-U-15	60 mm	100 mm	JCB-991-00130	191.99
	559-53500	M400001-M430000	I-U-15	60 mm	100 mm	JCB-991-00130	191.99
MODEL 1400, 1400B							
BOOM	561-31200	M337001-M399999	I-U-15	60 mm	110 mm	JCB-991-00131	120.35
	561-39000	M337001-M399999	I-U-15	60 mm	110 mm	JCB-991-00131	120.35
	561-60011	M337001-M399999	I-U-15	60 mm	110 mm	JCB-991-00131	120.35
CLAMSHOVEL	556-23700	TO M435696	I-U-15	40 mm	70 mm	JCB-991-00122	84.05
	556-31900	M337001-M399999	I-U-15	40 mm	70 mm	JCB-991-00122	84.05
DIPPER	557-12900	M337001-M399999	I-U-15	50 mm	90 mm	JCB-991-00127	177.13
	557-16600	M337001-M399999	I-U-15	50 mm	90 mm	JCB-991-00127	177.13
	559-44000	M337001-M399999	I-U-15	60 mm	100 mm	JCB-991-00130	191.99
	559-50000	M337001-M399999	I-U-15	60 mm	100 mm	JCB-991-00130	191.99
EXTENSION	556-23800	M337001-M399999	I-U-15	40 mm	70 mm	JCB-991-00122	84.05
	556-31000	M337001-M399999	I-U-15	40 mm	70 mm	JCB-991-00122	84.05
JAW BUCKET	560-34300	M337001-M399999	I-SP-13	2"	4"	JCB-991-00003	95.60
LIFT	576-14100	M337001-M399999	I-U-15	50 mm	80 mm	JCB-991-00123	119.67
SHOVEL	556-23900	M337001-M399999	I-U-15	40 mm	70 mm	JCB-991-00122	84.05
STABILIZER	556-23600	M337001-M399999	I-U-15	40 mm	70 mm	JCB-991-00122	84.05
STABILIZER LH	559-36300	M337001-M399999	I-U-15	60 mm	100 mm	JCB-991-00130	191.99
	559-53600	M337001-M399999	I-U-15	60 mm	100 mm	JCB-991-00130	191.99
	559-60004	M337001-M399999	I-U-15	60 mm	100 mm	JCB-991-00130	191.99
STABILIZER RH	559-36400	M337001-M399999	I-U-15	60 mm	100 mm	JCB-991-00130	191.99
	559-53700	M337001-M399999	I-U-15	60 mm	100 mm	JCB-991-00130	191.99
	559-60005	M337001-M399999	I-U-15	60 mm	100 mm	JCB-991-00130	191.99
STEERING	556-27600	M337001-M399999	I-U-15	30 mm	70 mm	JCB-991-00036	76.81
	556-28700	M337001-M399999	I-U-15	30 mm	70 mm	JCB-991-00036	76.81
	556-46400	M337001-M399999	I-U-10	30 mm	70 mm	JCB-991-00099	87.97
	556-46500	M337001-M399999	I-U-10	30 mm	70 mm	JCB-991-00099	87.97
SWING LH	559-53400	M337001-M399999	I-U-15	60 mm	100 mm	JCB-991-00130	191.99
SWING RH	559-53500	M337001-M399999	I-U-15	60 mm	100 mm	JCB-991-00130	191.99
MODEL 1550, 1550B							
BOOM	563-15500	M337001-M399999	I-U-15	65 mm	120 mm	JCB-991-00135	151.86
BUCKET	557-12900	M337001-M399999	I-U-15	50 mm	90 mm	JCB-991-00127	177.13
	557-16000	M337001-M399999	I-U-15	50 mm	90 mm	JCB-991-00127	177.13

JCB

Replacement Kits For

JCB

Backhoe Loaders							
APPLICATION	CYL #	SERIAL #	CODE	ROD	BORE	KIT #	List \$
MODEL 1550, 1550B							
BUCKET	557-16600	M337001-M399999	I-U-15	50 mm	90 mm	JCB-991-00127	177.13
CLAMSHOVEL	556-23700	M337001-M399999	I-U-15	40 mm	70 mm	JCB-991-00122	84.05
	556-31900	M337001-M399999	I-U-15	40 mm	70 mm	JCB-991-00122	84.05
	556-44000	M337001-M399999	I-U-15	40 mm	70 mm	JCB-991-00122	84.05
DIPPER	559-43200	M337001-M399999	I-U-15	60 mm	100 mm	JCB-991-00130	191.99
	559-50200	M337001-M399999	I-U-15	60 mm	100 mm	JCB-991-00130	191.99
EXTENSION - Long Type	556-23800	M337001-M399999	I-U-15	40 mm	70 mm	JCB-991-00122	84.05
	556-31000	M337001-M399999	I-U-15	40 mm	70 mm	JCB-991-00122	84.05
	556-44500	M337001-M399999	I-U-15	40 mm	70 mm	JCB-991-00122	84.05
JAW BUCKET	560-34300	M337001-M399999	I-SP-13	2"	4"	JCB-991-00003	95.60
LIFT	576-14100	M337001-M399999	I-U-15	50 mm	80 mm	JCB-991-00123	119.67
SHOVEL	556-23900	M337001-M399999	I-U-15	40 mm	70 mm	JCB-991-00122	84.05
STABILIZER	556-36400	M337001-M399999	I-U-15	60 mm	100 mm	JCB-991-00130	191.99
	559-53700	M337001-M399999	I-U-15	60 mm	100 mm	JCB-991-00130	191.99
	559-60005	M337001-M399999	I-U-15	60 mm	100 mm	JCB-991-00130	191.99
STEERING	556-27600	M337001-M399999	I-U-15	30 mm	70 mm	JCB-991-00036	76.81
	556-28700	M337001-M399999	I-U-15	30 mm	70 mm	JCB-991-00036	76.81
	556-33800	M337001-M399999	I-U-15	30 mm	70 mm	JCB-991-00036	76.81
	556-33800	M337001-M399999	I-U-10	30 mm	70 mm	JCB-991-00099	87.97
	556-34000	M337001-M399999	I-U-15	30 mm	70 mm	JCB-991-00036	76.81
	556-34000	M337001-M399999	I-U-10	30 mm	70 mm	JCB-991-00099	87.97
	556-46400	M337001-M399999	I-U-10	30 mm	70 mm	JCB-991-00099	87.97
	556-46500	M337001-M399999	I-U-10	30 mm	70 mm	JCB-991-00099	87.97
	559-53400	M337001-M399999	I-U-15	60 mm	100 mm	JCB-991-00130	191.99
MODEL 1700B							
BUCKET	557-12900	M337001-M399999	I-U-15	50 mm	90 mm	JCB-991-00127	177.13
	557-16000	M337001-M399999	I-U-15	50 mm	90 mm	JCB-991-00127	177.13
	557-16600	M337001-M399999	I-U-15	50 mm	90 mm	JCB-991-00127	177.13
	559-36100	M337001-M399999	I-U-15	60 mm	100 mm	JCB-991-00130	191.99
	556-23700	TO M345696	I-U-15	40 mm	70 mm	JCB-991-00122	84.05
CLAMSHOVEL	556-44000	M337001-M399999	I-U-15	40 mm	70 mm	JCB-991-00122	84.05
	556-23800	M337001-M399999	I-U-15	40 mm	70 mm	JCB-991-00122	84.05
EXTENSION	556-31000	M337001-M399999	I-U-15	40 mm	70 mm	JCB-991-00122	84.05
	556-44500	M337001-M399999	I-U-15	40 mm	70 mm	JCB-991-00122	84.05
	560-34300	M337001-M399999	I-SP-13	2"	4"	JCB-991-00003	95.60
JAW BUCKET	560-34300	M337001-M399999	I-SP-13	2"	4"	JCB-991-00003	95.60
LIFT	576-14100	M337001-M399999	I-U-15	50 mm	80 mm	JCB-991-00123	119.67
SHOVEL	576-14300	M337001-M399999	I-U-15	50 mm	80 mm	JCB-991-00123	119.67
	576-20200	M337001-M399999	I-U-15	50 mm	80 mm	JCB-991-00123	119.67
STABILIZER LH	559-36300	M337001-M399999	I-U-15	60 mm	100 mm	JCB-991-00130	191.99
	559-53600	M337001-M399999	I-U-15	60 mm	100 mm	JCB-991-00130	191.99
	559-60004	M337001-M399999	I-U-15	60 mm	100 mm	JCB-991-00130	191.99
STABILIZER RH	559-36400	M337001-M399999	I-U-15	60 mm	100 mm	JCB-991-00130	191.99
	559-53700	M337001-M399999	I-U-15	60 mm	100 mm	JCB-991-00130	191.99
	559-60005	M337001-M399999	I-U-15	60 mm	100 mm	JCB-991-00130	191.99
STEERING	556-27600	M337001-M399999	I-U-15	30 mm	70 mm	JCB-991-00036	76.81
	556-28700	M337001-M399999	I-U-15	30 mm	70 mm	JCB-991-00036	76.81
	556-46400	M337001-M399999	I-U-10	30 mm	70 mm	JCB-991-00099	87.97
	556-46500	M337001-M399999	I-U-10	30 mm	70 mm	JCB-991-00099	87.97
SWING LH	559-53400	M337001-M399999	I-U-15	60 mm	100 mm	JCB-991-00130	191.99
SWING RH	559-53500	M337001-M399999	I-U-15	60 mm	100 mm	JCB-991-00130	191.99
MODEL Midi CX							
BACKHOE BOOM		00972175-00989999; 01327000-01349999	I-U-10	45 mm	80 mm	JCB-991-10001	90.21
BACKHOE BUCKET		00972175-00989999; 01327000-01349999	I-U-10	40 mm	60 mm	JCB-991-10081	61.19

JCB

Replacement Kits For

JCB

Backhoe Loaders							
APPLICATION	CYL #	SERIAL #	CODE	ROD	BORE	KIT #	List \$
MODEL Midi CX							
BACKHOE BUCKET		00972175-00989999; 01327000-01349999	I-U-10	35 mm	60 mm	JCB-991-00170	72.56
BACKHOE DIPPER		00972175-00989999; 01327000-01349999	I-U-10	45 mm	80 mm	JCB-991-10001	90.21
KERB GRAB		00972175-00989999; 01327000-01349999	I-U-10	25 mm	50 mm	JCB-991-00097	75.27
LOADER LIFT		00972175-00989999; 01327000-01349999	I-U-10	35 mm	60 mm	JCB-991-00170	72.56
LOADER SHOVEL		00972175-00989999; 01327000-01349999	I-U-10	30 mm	60 mm	JCB-991-00098	83.05
SLEW/SWING		00972175-00989999; 01327000-01349999	I-U-10	40 mm	70 mm	JCB-991-10151	43.13
STABILIZER, CENTERMOUNT		00972175-00989999; 01327000-01349999	I-U-10	40 mm	70 mm	JCB-991-10152	125.39
STABILIZER, SIDESHIFT		00972175-00989999; 01327000-01349999	I-U-10	40 mm	60 mm	JCB-991-10081	61.19
MODEL SITEMASTER							
BACKHOE BOOM	561-31200	M337001-M399999	I-U-15	60 mm	110 mm	JCB-991-00131	120.35
	561-60011	M337001-M399999	I-U-15	60 mm	110 mm	JCB-991-00131	120.35
BACKHOE BUCKET	557-12900	M337001-M399999	I-U-15	50 mm	90 mm	JCB-991-00127	177.13
	557-16000	M337001-M399999	I-U-15	50 mm	90 mm	JCB-991-00127	177.13
	557-16600	M337001-M399999	I-U-15	50 mm	90 mm	JCB-991-00127	177.13
CLAMSHOVEL	556-23700	M337001-M399999	I-U-15	40 mm	70 mm	JCB-991-00122	84.05
	556-31900	M337001-M399999	I-U-15	40 mm	70 mm	JCB-991-00122	84.05
	556-44000	M337001-M399999	I-U-15	40 mm	70 mm	JCB-991-00122	84.05
DIPPER	559-44000	M337001-M399999	I-U-15	60 mm	100 mm	JCB-991-00130	191.99
	559-50000	M337001-M399999	I-U-15	60 mm	100 mm	JCB-991-00130	191.99
EXTENSION	556-23800	M337001-M399999	I-U-15	40 mm	70 mm	JCB-991-00122	84.05
	556-31000	M337001-M399999	I-U-15	40 mm	70 mm	JCB-991-00122	84.05
	556-44500	M337001-M399999	I-U-15	40 mm	70 mm	JCB-991-00122	84.05
JAW BUCKET	560-34300	M337001-M399999	I-SP-13	2"	4"	JCB-991-00003	95.60
LIFT	576-14100	M337001-M399999	I-U-15	50 mm	80 mm	JCB-991-00123	119.67
LOADER BOOM	561-39000	M337001-M399999	I-U-15	60 mm	110 mm	JCB-991-00131	120.35
SHOVEL	556-23900	M337001-M399999	I-U-15	40 mm	70 mm	JCB-991-00122	84.05
STABILIZER	559-36400	M337001-M399999	I-U-15	60 mm	100 mm	JCB-991-00130	191.99
STEERING	556-27600	M337001-M399999	I-U-15	30 mm	70 mm	JCB-991-00036	76.81
	556-28700	M337001-M399999	I-U-15	30 mm	70 mm	JCB-991-00036	76.81
	556-33800	M337001-M399999	I-U-15	30 mm	70 mm	JCB-991-00036	76.81
	556-34000	M337001-M399999	I-U-15	30 mm	70 mm	JCB-991-00036	76.81
	556-46400	M337001-M399999	I-U-10	30 mm	70 mm	JCB-991-00099	87.97
	556-46500	M337001-M399999	I-U-10	30 mm	70 mm	JCB-991-00099	87.97
SWING	559-53400	M337001-M399999	I-U-15	60 mm	100 mm	JCB-991-00130	191.99
Excavators - Compact							
APPLICATION	CYL #	SERIAL #	CODE	ROD	BORE	KIT #	List \$
MODEL 801							
ARM		M645001-M645999 M648000-M649999	I-U-5	30 mm	50 mm	JCB-231-02906	59.49
		M648652-M649999	I-U-10	30 mm	50 mm	JCB-231-02909	174.84
BLADE		M645001-M645999 M648000-M648696	I-U-5	35 mm	70 mm	JCB-231-22506	148.78
		M648697-M649999	I-U-10	35 mm	70 mm	JCB-231-32807	137.85
BOOM		M645001-M645999 M648000-M649999	I-U-5	30 mm	50 mm	JCB-231-02906	59.49
BUCKET		M645001-M645999 M648000-M649999	I-U-5	30 mm	50 mm	JCB-231-02906	59.49
		M648652-M649999	I-U-10	30 mm	50 mm	JCB-231-02909	174.84

Replacement Kits For

JCB

Excavators - Compact							
APPLICATION	CYL #	SERIAL #	CODE	ROD	BORE	KIT #	List \$
MODEL 801							
SWING		M645001-M645999 M648000-M648651	I-U-5	30 mm	50 mm	JCB-231-02906	59.49
		M648652-M649999	I-U-10	30 mm	50 mm	JCB-231-02909	174.84
MODEL 803							
ARM		M665001-M665736 M666001-M666935	I-U-10	40 mm	70 mm	JCB-232-02906	242.37
		M666936-M667435	I-U-10	40 mm	70 mm	JCB-232-56352	58.89
BLADE		M665001-M665736 M666001-M666930	I-U-10	45 mm	90 mm	JCB-232-22510	292.66
		M666931-M667435	I-U-10	45 mm	90 mm	JCB-232-56754	217.99
BOOM		M665001-M665736 M666001-M666956	I-U-10	40 mm	80 mm	JCB-232-08512	311.12
		M666957-M667435	I-U-10	40 mm	80 mm	JCB-232-56152	212.37
BUCKET		M665001-M665736 M666001-M666956	I-UB-10	50 mm	75 mm	JCB-232-03407	158.85
		M666957-M667435	I-U-10	50 mm	75 mm	JCB-232-56507	233.68
SWING		M666001-M666333	I-U-10	40 mm	80 mm	JCB-232-08512	311.12
		M666334-M667435	I-U-10	50 mm	80 mm	JCB-232-56956	135.24
MODEL 803 Magnum, 803 Plus							
ARM		M765607-M765699	I-U-10	40 mm	70 mm	JCB-232-56352	58.89
		M765700-Sept 98	I-U-10	40 mm	70 mm	JCB-232-95956	86.68
		M827240-	P-U-10	40 mm	70 mm	JCB-991-10112	259.01
		Sept 98-M827239	P-U-10	40 mm	70 mm	JCB-991-10112	259.01
BLADE		M765607-M827239	I-U-10	45 mm	90 mm	JCB-232-56754	217.99
		M827240-	I-U-10	45 mm	90 mm	JCB-232-56754	217.99
BOOM		M765607-M827239	P-U-10	40 mm	80 mm	JCB-991-10111	255.35
		M765607-M827239	I-U-10	40 mm	80 mm	JCB-232-56152	212.37
		M827240-	P-U-10	40 mm	80 mm	JCB-991-10111	255.35
BUCKET		M765607-M827239	I-U-10	50 mm	75 mm	JCB-232-56507	233.68
		M827240-	P-U-10	50 mm	75 mm	JCB-991-10113	201.85
SWING		M765607-M827239	I-U-10	50 mm	80 mm	JCB-232-56956	135.24
		M827240-	I-U-10	40 mm	80 mm	JCB-991-00167	105.92
MODEL 803 Super							
ARM		M765607-M827239	P-U-10	40 mm	70 mm	JCB-991-10112	259.01
		M827240	I-U-10	40 mm	70 mm	JCB-232-56352	58.89
BLADE		M765607-M827239 M827240	I-U-10	45 mm	90 mm	JCB-232-56754	217.99
BOOM		M765607-M827239 M827240-	P-U-10	40 mm	80 mm	JCB-991-10111	255.35
BUCKET		M795607-M827239	P-U-10	50 mm	75 mm	JCB-991-10113	201.85
		M827240-	I-UB-10	50 mm	75 mm	JCB-232-03407	158.85
SWING		M765607-M827239 M827240	I-U-10	50 mm	80 mm	JCB-232-56956	135.24
MODEL 804							
ARM		M734001-M734401	I-U-10	45 mm	75 mm	JCB-232-51254	199.98
BLADE		M734001-M734135	I-U-10	45 mm	90 mm	JCB-232-22510	292.66
		M734136-M734401	I-U-10	45 mm	90 mm	JCB-232-56754	217.99
BOOM		M734001-M734401	I-U-10	45 mm	90 mm	JCB-232-51155	167.46
BUCKET		M734001-M734401	I-U-10	45 mm	75 mm	JCB-232-51254	199.98
SWING		M734001-M734135	I-U-10	40 mm	80 mm	JCB-232-08512	311.12
		M734136-M734401	I-U-10	45 mm	90 mm	JCB-232-56754	217.99
MODEL 804 Plus							
ARM			I-U-10	40 mm	70 mm	JCB-232-56352	58.89
		M734402-M734629	P-U-10	40 mm	70 mm	JCB-991-10112	259.01
BLADE		M734402-M734629	I-U-10	45 mm	90 mm	JCB-232-56754	217.99
BOOM		M734402-M734629	P-U-10	40 mm	80 mm	JCB-991-10111	255.35
BUCKET		M734402-M734629	P-U-10	50 mm	75 mm	JCB-991-10113	201.85

JCB

Replacement Kits For

JCB

Excavators - Compact							
APPLICATION	CYL #	SERIAL #	CODE	ROD	BORE	KIT #	List \$
MODEL 804 Plus							
SWING		M734402-M734629	I-U-10	50 mm	80 mm	JCB-232-56956	135.24
MODEL 804 Super							
ARM		M34630-M734629 M734834-	I-U-10	45 mm	75 mm	JCB-991-00166	304.60
BLADE		M34630-M734629 M734834-	P-U-10	45 mm	90 mm	JCB-991-00165	229.85
BOOM		M34630-M734629 M734834-	I-U-10	45 mm	90 mm	JCB-991-00164	262.85
BUCKET		M34630-M734629 M734834-	I-U-10	50 mm	80 mm	JCB-991-00102	111.98
SWING		M34630-M734629 M734834-	I-U-10	40 mm	80 mm	JCB-991-00167	105.92
MODEL 8014							
BLADE			I-U-5	35 mm	70 mm	JCB-231-22506	148.78
		M791000-M795999	I-U-10	35 mm	70 mm	JCB-236-11516	118.21
BOOM		M791000-M791222	P-U-10	30 mm	50 mm	JCB-231-34316	233.54
		M791223-M795999	P-U-10	30 mm	55 mm	JCB-231-77408	215.38
SWING			P-U-10	30 mm	50 mm	JCB-991-10102	173.47
MODEL 8015							
BLADE		M730800-M731179 M820000-M821999 M894000-M895999	I-U-10	35 mm	70 mm	JCB-236-11516	118.21
BOOM		M730800-M731999	P-U-10	30 mm	50 mm	JCB-231-34316	233.54
		M820000-M821999	P-U-10	30 mm	55 mm	JCB-231-77408	215.38
BUCKET		M894878-M895999	I-U-10	30 mm	50 mm	JCB-231-35413	84.48
SWING		M894200-M895999	P-U-10	30 mm	50 mm	JCB-991-10102	173.47
MODEL 8017							
BLADE		M800000-M800999 M896000-M896999	I-U-10	35 mm	70 mm	JCB-231-22509	254.79
BOOM		M800000-M800999 M896000-M896999	P-U-10	30 mm	55 mm	JCB-231-77408	215.38
SWING		M800000-M800999 M896000-M896999	P-U-10	30 mm	50 mm	JCB-991-10102	173.47
MODEL 8025ZTS							
BOOM		01226500-01228500	P-U-10	40 mm	80 mm	JCB-991-10111	255.35
BUCKET		01226500-01228500	P-U-10	50 mm	75 mm	JCB-991-10113	201.85
DIPPER		01226500-01228500	P-U-10	40 mm	65 mm	JCB-983-11155	81.95
DOZER		01226500-01228500	P-U-10	45 mm	90 mm	JCB-903-20405	185.67
KERB GRAB		01226500-01228500	I-U-10	25 mm	50 mm	JCB-991-00097	75.27
SWING		01226500-01228500	P-U-10	40 mm	80 mm	JCB-903-20418	108.17
MODEL 8027Z							
BOOM		00898000-00898999	P-U-10	40 mm	80 mm	JCB-991-10111	255.35
		01226000-01776499	P-U-10	40 mm	80 mm	JCB-991-10111	255.35
BUCKET		00898000-00898999	P-U-10	50 mm	75 mm	JCB-991-10113	201.85
		01226000-01776499	P-U-10	50 mm	75 mm	JCB-991-10113	201.85
DIPPER		00898000-00898999	P-U-10	40 mm	65 mm	JCB-903-20434	115.17
		01226000-01776499	P-U-10	40 mm	65 mm	JCB-903-20434	115.17
DOZER		00898000-00898999	P-U-10	45 mm	90 mm	JCB-903-20405	185.67
		01226000-01776499	P-U-10	45 mm	90 mm	JCB-903-20405	185.67
SWING		00898000-00898999	P-U-10	40 mm	80 mm	JCB-903-20418	108.17
		01226000-01776499	P-U-10	40 mm	80 mm	JCB-903-20418	108.17
MODEL 8030ZTS							
BOOM		01228500-01230499	P-U-10	40 mm	80 mm	JCB-991-10111	255.35
BUCKET		01228500-01230499	I-U-10	50 mm	80 mm	JCB-991-00102	111.98
DIPPER		01228500-01230499	P-U-10	40 mm	65 mm	JCB-983-11155	81.95
DOZER		01228500-01230499	P-U-10	45 mm	90 mm	JCB-903-20405	185.67
KERB GRAB		01228500-01230499	I-U-10	25 mm	50 mm	JCB-991-00097	75.27

JCB

Replacement Kits For

JCB

Excavators - Compact							
APPLICATION	CYL #	SERIAL #	CODE	ROD	BORE	KIT #	List \$
MODEL 8030ZTS							
SWING		01228500-01230499	P-U-10	40 mm	80 mm	JCB-903-20418	108.17
MODEL 8032Z							
BOOM		0089900-00899999	P-U-10	40 mm	80 mm	JCB-991-10111	255.35
		01177000-01177999	P-U-10	40 mm	80 mm	JCB-991-10111	255.35
BUCKET		0089900-00899999	P-U-10	50 mm	75 mm	JCB-991-10113	201.85
		01177000-01177999	P-U-10	50 mm	75 mm	JCB-991-10113	201.85
DIPPER		0089900-00899999	P-U-10	40 mm	65 mm	JCB-903-20434	115.17
		01177000-01177999	P-U-10	40 mm	65 mm	JCB-903-20434	115.17
DOZER		0089900-00899999	P-U-10	45 mm	90 mm	JCB-903-20405	185.67
		01177000-01177999	P-U-10	45 mm	90 mm	JCB-903-20405	185.67
SWING		0089900-00899999	P-U-10	40 mm	80 mm	JCB-903-20418	108.17
		01177000-01177999	P-U-10	40 mm	80 mm	JCB-903-20418	108.17
MODEL 8035ZTS							
BOOM		01230500-12314999	I-U-10	45 mm	90 mm	JCB-991-00164	262.85
DIPPER		01230500-12314999	I-U-10	45 mm	75 mm	JCB-991-00166	304.60
DOZER		01230500-12314999	P-U-10	45 mm	90 mm	JCB-903-20405	185.67
KERB GRAB		01230500-12314999	I-U-10	25 mm	50 mm	JCB-991-00097	75.27
SWING		01230500-12314999	P-U-10	40 mm	80 mm	JCB-903-20418	108.17
MODEL 8052							
ARM		M802000-	I-U-10	60 mm	90 mm	JCB-991-00147	148.89
BLADE		M802000-M802678	I-U-10	50 mm	80 mm	JCB-991-00102	111.98
		M802679-	I-U-10	60 mm	110 mm	JCB-991-00110	146.02
BOOM		M802000-	I-U-10	60 mm	100 mm	JCB-991-00145	115.32
BUCKET		M802000-	I-U-10	50 mm	80 mm	JCB-991-00102	111.98
SWING		M802000-	I-U-10	50 mm	90 mm	JCB-991-00103	86.99
MODEL 8060							
BOOM		00883000-00883829	I-U-10	60 mm	110 mm	JCB-991-10121	102.54
		00883830-00884999	I-U-10	60 mm	110 mm	JCB-991-10121	102.54
		01236000-01237999	I-U-10	60 mm	110 mm	JCB-991-10121	102.54
BUCKET		00883000-00883829	I-U-10	60 mm	90 mm	JCB-991-00147	148.89
		00883830-00884999	I-U-10	60 mm	90 mm	JCB-991-00147	148.89
		01236000-01237999	I-U-10	60 mm	90 mm	JCB-991-00147	148.89
DIPPER		00883000-00883829	I-U-10	60 mm	100 mm	JCB-991-00145	115.32
		00883830-00884999	I-U-10	60 mm	100 mm	JCB-991-00145	115.32
		01236000-01237999	I-U-10	60 mm	100 mm	JCB-991-00145	115.32
DOZER		00883000-00883829	I-U-10	60 mm	110 mm	JCB-991-00110	146.02
		00883830-00884999	I-U-10	60 mm	110 mm	JCB-991-00110	146.02
		01236000-01237999	I-U-10	60 mm	110 mm	JCB-991-00110	146.02
SWING		00883000-00883829	I-U-10	50 mm	90 mm	JCB-991-10122	139.05
		00883830-00884999	I-U-10	50 mm	90 mm	JCB-991-10122	139.05
		01236000-01237999	I-U-10	50 mm	90 mm	JCB-991-10122	139.05
MODEL 8065RTS							
BOOM		01536000-01537499	I-U-10	60 mm	110 mm	JCB-991-10121	102.54
BUCKET		01536000-01537499	I-U-10	50 mm	90 mm	JCB-991-00103	86.99
DIPPER		01536000-01537499	I-U-10	60 mm	100 mm	JCB-991-00145	115.32
DOZER		01536000-01537499	I-U-10	60 mm	110 mm	JCB-991-00110	146.02
SWING		01536000-01537499	I-U-10	50 mm	90 mm	JCB-991-00103	86.99
MODEL 8080							
BOOM		01024000-01025999	I-U-10	60 mm	100 mm	JCB-991-10138	112.79
		01024000-01025999	I-U-10	60 mm	110 mm	JCB-991-10144	123.66
		01442000-01443999	I-U-10	60 mm	110 mm	JCB-991-10144	123.66
		01442000-01443999	I-U-10	60 mm	100 mm	JCB-991-10138	112.79
BUCKET		01024000-01025999	I-U-10	50 mm	80 mm	JCB-991-00102	111.98
		01442000-01443999	I-U-10	50 mm	80 mm	JCB-991-00102	111.98
DIPPER		01024000-01025999	I-U-10	60 mm	90 mm	JCB-991-00147	148.89

JCB

Replacement Kits For

JCB

Excavators - Compact							
APPLICATION	CYL #	SERIAL #	CODE	ROD	BORE	KIT #	List \$
MODEL 8080							
DIPPER		01442000-01443999	I-U-10	60 mm	90 mm	JCB-991-00147	148.89
DOZER		01024000-01025999	I-U-10	60 mm	110 mm	JCB-991-00110	146.02
		01442000-01443999	I-U-10	60 mm	110 mm	JCB-991-00110	146.02
KERB GRAB		01024000-01025999	I-U-10	25 mm	50 mm	JCB-991-00097	75.27
		01442000-01443999	I-U-10	25 mm	50 mm	JCB-991-00097	75.27
SWING		01024000-01025999	I-U-10	50 mm	90 mm	JCB-991-10122	139.05
		01442000-01443999	I-U-10	50 mm	90 mm	JCB-991-10122	139.05

Excavators - Tracked							
APPLICATION	CYL #	SERIAL #	CODE	ROD	BORE	KIT #	List \$
MODEL JS130							
BOOM		00758001-00759999	P-UB-10	75 mm	100 mm	JCB-690-00693	489.97
		00758001-00759999	P-UB-10	75 mm	100 mm	JCB-LQU0114	560.48
		00890001-00890999	P-UB-10	75 mm	100 mm	JCB-LQU0114	560.48
		00890001-00890999	P-UB-10	75 mm	100 mm	JCB-690-00693	489.97
	33117713	01058001-01058049	P-UB-10	75 mm	100 mm	JCB-LQU0114	560.48
	90320240	01058001-01058049	P-UB-10	75 mm	100 mm	JCB-690-00693	489.97
	90320242	01058001-01058049	P-UB-10	75 mm	100 mm	JCB-690-00693	489.97
	LNU0155	00699002-00700999	P-UB-10	70 mm	110 mm	JCB-LQU0080	690.40
LQU116	01058001-01058049	P-UB-10	75 mm	100 mm	JCB-LQU0114	560.48	
BUCKET		00758001-00759999	P-UB-10	70 mm	95 mm	JCB-LQU0126	429.83
		00758001-00759999	P-UB-10	70 mm	95 mm	JCB-991-10129	179.23
		00890001-00890999	P-UB-10	70 mm	95 mm	JCB-991-10129	179.23
		00890001-00890999	P-UB-10	70 mm	95 mm	JCB-LQU0126	429.83
	33117714	01058001-01058049	P-UB-10	70 mm	95 mm	JCB-LQU0126	429.83
	90320252	01058001-01058049	P-UB-10	70 mm	95 mm	JCB-991-10129	179.23
	LNU01457	00699002-00700999	P-UB-10	65 mm	105 mm	JCB-LQU0082	324.03
	LQU0118	01058001-01058049	P-UB-10	70 mm	95 mm	JCB-LQU0126	429.83
DIPPER		00758001-00759443	P-UB-10	80 mm	115 mm	JCB-LQU0125	519.24
		00759444-00759999	P-UB-10	80 mm	115 mm	JCB-991-10139	710.71
		00890001-00890999	P-UB-10	80 mm	115 mm	JCB-LQU0125	519.24
		00890001-00890999	P-UB-10	80 mm	115 mm	JCB-991-10139	710.71
	99810686	01058001-01058049	P-UB-10	80 mm	115 mm	JCB-991-10139	710.71
	LNU0156	00699002-00700999	P-UB-10	80 mm	115 mm	JCB-LQU0081	610.74
	LQU0117	01058001-01058049	P-UB-10	80 mm	115 mm	JCB-LQU0125	519.24
DOZER		00758001-00759999	I-U-10	65 mm	120 mm	JCB-991-00115	73.21
	56370081RH	00890001-00890999	I-U-10	65 mm	120 mm	JCB-991-00115	73.21
	56370082LH	01058001-01058049	I-U-10	65 mm	120 mm	JCB-991-00115	73.21

MODEL JS160LC							
APPLICATION	CYL #	SERIAL #	CODE	ROD	BORE	KIT #	List \$
BOOM	99810693	00702971-00703849	P-UB-10	80 mm	115 mm	JCB-998-10040	564.56
	WHBCVLNU0390		P-UB-10	80 mm	115 mm	JCB-998-10040	564.56
	WOHBCV33117731	00702001-00702970	P-UB-10	80 mm	115 mm	JCB-LQU-0164	366.37
BUCKET	33117711	00702001-007002970	P-UB-10	75 mm	105 mm	JCB-LQU0166	372.89
	90320556	00702971-00703849	P-UB-10	75 mm	105 mm	JCB-903-20435	244.04
	LNU0395	00702001-007002970	P-UB-10	75 mm	105 mm	JCB-LQU0166	372.89
DIPPER	33117712	00702001-00702970	P-UB-10	90 mm	125 mm	JCB-LQU0165	414.78
	90320372	00702971-00703849	P-UB-10	85 mm	120 mm	JCB-903-20265	521.71
	LNU0392	00702001-00702970	P-UB-10	90 mm	125 mm	JCB-LQU0165	414.78

MODEL JS200							
APPLICATION	CYL #	SERIAL #	CODE	ROD	BORE	KIT #	List \$
BOOM		01610000-01612499; 01613000-01613999	P-UB-14	85 mm	125 mm	JCB-332-G9282	263.41
	90320735	01018001-01020001	P-UB-10	85 mm	125 mm	JCB-331-39036	181.57
	90320735	01202500-01204022	P-UB-10	85 mm	125 mm	JCB-331-39036	181.57
	90320735	01503300-01504499	P-UB-10	85 mm	125 mm	JCB-331-39036	181.57
	90320735	01610000-01612499	P-UB-10	85 mm	125 mm	JCB-331-39036	181.57

Replacement Kits For

JCB

Excavators - Tracked							
APPLICATION	CYL #	SERIAL #	CODE	ROD	BORE	KIT #	List \$
MODEL JS200							
BOOM	90320735	01613000-01613999	P-UB-10	85 mm	125 mm	JCB-331-39036	181.57
	90320735	01701500-01702499	P-UB-10	85 mm	125 mm	JCB-331-39036	181.57
	99810079	00705001-00705543	P-UB-10	85 mm	125 mm	JCB-998-10020	244.68
	99810079	00705544-00707999	P-UB-10	85 mm	125 mm	JCB-998-10020	244.68
	LQU0152	00705001-00705543	P-UB-10	85 mm	125 mm	JCB-998-10020	244.68
	LQU0152	00705544-00707999	P-UB-10	85 mm	125 mm	JCB-998-10020	244.68
BUCKET	33117714	00705001-00707999	P-UB-10	70 mm	95 mm	JCB-LQU0126	429.83
	33139043	01018001-01020001	P-UB-10	85 mm	115 mm	JCB-331-39041	204.05
	33139043	01202500-01204022	P-UB-10	85 mm	115 mm	JCB-331-39041	204.05
	33139043	01503300-01504499	P-UB-10	85 mm	115 mm	JCB-331-39041	204.05
	33139043	01610000-01612499	P-UB-10	85 mm	115 mm	JCB-331-39041	204.05
	33139043	01613000-01613999	P-UB-10	85 mm	115 mm	JCB-331-39041	204.05
	33139043	01701500-01702499	P-UB-10	85 mm	115 mm	JCB-331-39041	204.05
	332J8010	01610000-01612499; 01613000-01613999	P-UB-14	85 mm	115 mm	JCB-332-G9281	194.56
	69000778	00705410-00707999	P-UB-10	80 mm	120 mm	JCB-690-00801	230.12
	90320252	00705001-00707999	P-UB-10	70 mm	95 mm	JCB-991-10129	179.23
	LQU0118	00705001-00707999	P-UB-10	70 mm	95 mm	JCB-LQU0126	429.83
	LQU0156	00705001-00705409	P-UB-10	80 mm	120 mm	JCB-LQU-0142	178.54
	CAB RAISE	5570109	01018001-01020001	I-U-10	60 mm	90 mm	JCB-991-00147
5570109		01203500-01204022	I-U-10	60 mm	90 mm	JCB-991-00147	148.89
5570109		01503300-01504499	I-U-10	60 mm	90 mm	JCB-991-00147	148.89
5570109		01701500-01702499	I-U-10	60 mm	90 mm	JCB-991-00147	148.89
DIPPER	33139046	01018001-01020001	P-UB-10	95 mm	130 mm	JCB-331-39047	302.07
	33139046	01202500-01204022	P-UB-10	95 mm	130 mm	JCB-331-39047	302.07
	33139046	01503300-01504499	P-UB-10	95 mm	130 mm	JCB-331-39047	302.07
	33139046	01610000-01612499	P-UB-10	95 mm	130 mm	JCB-331-39047	302.07
	33139046	01613000-01613999	P-UB-10	95 mm	130 mm	JCB-331-39047	302.07
	33139046	01701500-01702499	P-UB-10	95 mm	130 mm	JCB-331-39047	302.07
	332J8011	01610000-01612499; 01613000-01613999	P-UB-14	95 mm	130 mm	JCB-332-C7368	274.86
	69000726	00705410-00707999	P-UB-10	100 mm	135 mm	JCB-690-00754	305.98
	JBV0509	00705001-00707999	P-UB-10	105 mm	150 mm	JCB-998-10022	445.40
	LQU0154	00705001-00705409	P-UB-10	100 mm	135 mm	JCB-LQU-0138	256.55
MODEL JS200LC							
BOOM	LNU0158	00704002-00705000	P-UB-10	85 mm	125 mm	JCB-LQU0036	765.32
	LNU0158	00704002-00705000	P-UB-10	85 mm	125 mm	JCB-LQU0089	765.32
	LNU0158	00704075-00705000	P-UB-10	85 mm	125 mm	JCB-LQU0089	765.32
BUCKET	LNU0157	00704002-00705000	P-UB-10	65 mm	105 mm	JCB-LQU0082	324.03
	LNU0211	00704002-00705000	P-UB-10	80 mm	120 mm	JCB-LQU0046	706.77
	LNU0211	00704002-00705000	P-UB-10	80 mm	120 mm	JCB-LQU0092	706.77
DIPPER	LNU0160	00704002-00705000	P-UB-10	95 mm	140 mm	JCB-LQU0038	482.61
	LNU0160	00704002-00705000	P-UB-10	95 mm	140 mm	JCB-LQU0091	482.61
MODEL JS210							
BOOM		00705001-00705543	P-UB-10	85 mm	125 mm	JCB-998-10020	244.68
	90320735	01018001-01020001; 01202500-01204022; 01503300-01504499; 01701500-01702499; 01610000-01612499; 01613000-01613999	P-UB-10	85 mm	125 mm	JCB-331-39036	181.57
	LQU0152	00705544-00707999	P-UB-10	85 mm	125 mm	JCB-998-10020	244.68

JCB

Replacement Kits For

JCB

Excavators - Tracked							
APPLICATION	CYL #	SERIAL #	CODE	ROD	BORE	KIT #	List \$
MODEL JS210							
BUCKET	33139043	01018001-01020001; 01202500-01204022; 01503300-01504499; 01701500-01702499; 01610000-01612499; 01613000-01613999	P-UB-10	85 mm	115 mm	JCB-331-39041	204.05
BUCKET, LONG REACH		00705001-00707999	P-UB-10	70 mm	95 mm	JCB-991-10129	179.23
CAB RAISE	55770109	01018001-01020001; 01202500-01204022; 01503300-01504499; 01701500-01702499; 01610000-01612499; 01613000-01613999	I-U-10	60 mm	90 mm	JCB-991-00147	148.89
DIPPER	33139046	01018001-01020001; 01202500-01204022; 01503300-01504499; 01701500-01702499; 01610000-01612499; 01613000-01613999	P-UB-10	95 mm	130 mm	JCB-331-39047	302.07
	6900726	00705001-00705409	P-UB-10	100 mm	135 mm	JCB-690-00754	305.98
	LQU0154		P-UB-10	100 mm	135 mm	JCB-LQU-0138	256.55
DIPPER, LONG REACH		00705001-00707999	P-UB-10	105 mm	150 mm	JCB-998-10022	445.40
MODEL JS220							
BOOM							
	33117533	00705001-00706727	P-UB-10	95 mm	140 mm	JCB-LQU-0172	304.66
	33149239	010180001-0120001	P-UB-14	95 mm	140 mm	JCB-903-21071	406.37
	33149239	01053300-01504499	P-UB-14	95 mm	140 mm	JCB-903-21071	406.37
	33149239	01202500-01204022	P-UB-14	95 mm	140 mm	JCB-903-21071	406.37
	33149239	01701500-01702499	P-UB-14	95 mm	140 mm	JCB-903-21071	406.37
	90320234	00705728-00707999	P-UB-10	95 mm	140 mm	JCB-903-20233	477.08
	90320234	010180001-0120001	P-UB-10	95 mm	140 mm	JCB-903-20233	477.08
	90320234	01053300-01504499	P-UB-10	95 mm	140 mm	JCB-903-20233	477.08
	90320234	01202500-01204022	P-UB-10	95 mm	140 mm	JCB-903-20233	477.08
	90320234	01701500-01702499	P-UB-10	95 mm	140 mm	JCB-903-20233	477.08
	90320735	01018001-01020001	P-UB-10	85 mm	125 mm	JCB-331-39036	181.57
	90320735	01202500-01204022	P-UB-10	85 mm	125 mm	JCB-331-39036	181.57
	90320735	01503300-01504499	P-UB-10	85 mm	125 mm	JCB-331-39036	181.57
	90320735	01610000-01612499	P-UB-10	85 mm	125 mm	JCB-331-39036	181.57
	90320735	01613000-01613999	P-UB-10	85 mm	125 mm	JCB-331-39036	181.57
	90320735	01701500-01702499	P-UB-10	85 mm	125 mm	JCB-331-39036	181.57
	99810079	00705001-00705543	P-UB-10	85 mm	125 mm	JCB-998-10020	244.68
	99810079	00705544-00707999	P-UB-10	85 mm	125 mm	JCB-998-10020	244.68
	LNU0432	00705001-00706727	P-UB-10	95 mm	140 mm	JCB-LQU-0172	304.66
	LQU0152	00705001-00705543	P-UB-10	85 mm	125 mm	JCB-998-10020	244.68
	LQU0152	00705544-00707999	P-UB-10	85 mm	125 mm	JCB-998-10020	244.68
BUCKET							
		00705410-00707999	P-UB-10	80 mm	120 mm	JCB-690-00801	230.12
	33117714		P-UB-10	70 mm	95 mm	JCB-LQU0126	429.83
	33139043	01018001-01200001	P-UB-10	85 mm	115 mm	JCB-331-39041	204.05
	33139043	01202500-01204022	P-UB-10	85 mm	115 mm	JCB-331-39041	204.05
	33139043	01503300-01504499	P-UB-10	85 mm	115 mm	JCB-331-39041	204.05
	33139043	01610000-01612499	P-UB-10	85 mm	115 mm	JCB-331-39041	204.05
	33139043	01613000-01613999	P-UB-10	85 mm	115 mm	JCB-331-39041	204.05
	33139043	01701500-01702499	P-UB-10	85 mm	115 mm	JCB-331-39041	204.05
	69000778	00705001-00715409	P-UB-10	80 mm	120 mm	JCB-LQU-0142	178.54
	90320252		P-UB-10	70 mm	95 mm	JCB-991-10129	179.23
	99810076	00705001-00707999	P-UB-10	90 mm	135 mm	JCB-998-10023	285.16
	LQU0118		P-UB-10	70 mm	95 mm	JCB-LQU0126	429.83
	LQU0150	00705001-00707999	P-UB-10	90 mm	135 mm	JCB-998-10023	285.16
	LQU0156	00705001-00715409	P-UB-10	80 mm	120 mm	JCB-LQU-0142	178.54

JCB

Excavators - Tracked							
APPLICATION	CYL #	SERIAL #	CODE	ROD	BORE	KIT #	List \$
MODEL JS220							
CAB RAISE	55770109	01018001-0120001	I-U-10	60 mm	90 mm	JCB-991-00147	148.89
	55770109	01202500-01204022	I-U-10	60 mm	90 mm	JCB-991-00147	148.89
	55770109	01503300-01504499	I-U-10	60 mm	90 mm	JCB-991-00147	148.89
	55770109	01610000-01612499	I-U-10	60 mm	90 mm	JCB-991-00147	148.89
	55770109	01613000-01613999	I-U-10	60 mm	90 mm	JCB-991-00147	148.89
	55770109	01701500-01702499	I-U-10	60 mm	90 mm	JCB-991-00147	148.89
DIPPER	33139046	01018001-0120001	P-UB-10	95 mm	130 mm	JCB-331-39047	302.07
	33139046	01202500-01204022	P-UB-10	95 mm	130 mm	JCB-331-39047	302.07
	33139046	01503300-01504499	P-UB-10	95 mm	130 mm	JCB-331-39047	302.07
	33139046	01610000-01612499	P-UB-10	95 mm	130 mm	JCB-331-39047	302.07
	33139046	01613000-01613999	P-UB-10	95 mm	130 mm	JCB-331-39047	302.07
	33139046	01701500-01702499	P-UB-10	95 mm	130 mm	JCB-331-39047	302.07
	69000726	00705410-00707999	P-UB-10	100 mm	135 mm	JCB-LQU-0138	256.55
	JBV0509	00705001-00707999	P-UB-10	100 mm	135 mm	JCB-LQU-0138	256.55
	LQU0154	00705001-00705409	P-UB-10	100 mm	135 mm	JCB-LQU-0138	256.55
	MODEL JS240						
BOOM	33142816	01040003-01041999; 01504700-01505099	P-UB-14	90 mm	130 mm	JCB-903-21037	268.36
	99810078	00708501-00709199; 01040003-01041999	P-UB-10	90 mm	130 mm	JCB-998-10021	241.19
	LNU0196	01040003-01041999	P-UB-10	110 mm	160 mm	JCB-LQU0049	257.17
	LQU0146	00708501-00708625; 00708626-00709199	P-UB-10	90 mm	130 mm	JCB-998-10021	241.19
BUCKET	33138789	01040003-01041999	P-UB-10	95 mm	130 mm	JCB-331-38788	318.93
	33142817	01040003-01041999; 01504700-01505099	P-UB-14	95 mm	130 mm	JCB-903-21049	186.33
	99810076	00708501-00709199	P-UB-10	90 mm	135 mm	JCB-998-10023	285.16
DIPPER	33111847	01504700-01505099	P-UB-14	100 mm	140 mm	JCB-903-21165	336.45
	33138784	01040003-01041999	P-UB-10	100 mm	140 mm	JCB-991-10127	338.53
	33142815	01040003-01041999	P-UB-14	100 mm	140 mm	JCB-903-21165	336.45
	LQU0148	00708501-00709199	P-UB-10	105 mm	150 mm	JCB-998-10022	445.40
MODEL JS260							
BOOM		00708501-00709199	P-UB-10	90 mm	130 mm	JCB-998-10021	241.19
		01040003-01041999	P-UB-14	90 mm	130 mm	JCB-903-21037	268.36
		01040003-01041999	P-UB-10	90 mm	130 mm	JCB-998-10021	241.19
		01504700-01505099	P-UB-14	90 mm	130 mm	JCB-903-21037	268.36
	33142816	01504700-01505099	P-UB-14	90 mm	130 mm	JCB-903-21037	268.36
	99810078	00708501-00708625	P-UB-10	90 mm	130 mm	JCB-998-10021	241.19
	JBV0508	00708626-00709199	P-UB-10	90 mm	130 mm	JCB-998-10021	241.19
	LNU0196	00708501-00709199	P-UB-10	110 mm	160 mm	JCB-LQU0049	257.17
	LQU0146	00708501-00708625	P-UB-10	90 mm	130 mm	JCB-998-10021	241.19
BOOM POSITION, TAB		00708501-00709199	P-UB-10	110 mm	160 mm	JCB-LQU0049	257.17
		01040003-01041999	P-UB-10	110 mm	160 mm	JCB-LQU0049	257.17
BUCKET		00708501-00709199	P-UB-10	90 mm	135 mm	JCB-998-10023	285.16
		01040003-01041999	P-UB-14	95 mm	130 mm	JCB-903-21049	186.33
		01040003-01041999	P-UB-10	95 mm	130 mm	JCB-331-38788	318.93
		01054700-01505099	P-UB-14	95 mm	130 mm	JCB-903-21049	186.33
	33142817	01504700-01505099	P-UB-14	95 mm	130 mm	JCB-903-21049	186.33
	99810076	00708501-00708625	P-UB-10	90 mm	135 mm	JCB-998-10023	285.16
	JBV0510	00708626-00709199	P-UB-10	90 mm	135 mm	JCB-998-10023	285.16
	LQU0150	00708501-00708625	P-UB-10	90 mm	135 mm	JCB-998-10023	285.16
BUCKET, LONG REACH		01040003-01041999	P-UB-10	70 mm	95 mm	JCB-903-20839	460.85
DIPPER		00708501-00709199	P-UB-10	105 mm	150 mm	JCB-998-10022	445.40
		01040003-01041999	P-UB-14	100 mm	140 mm	JCB-903-21165	336.45
		01040003-01041999	P-UB-10	100 mm	140 mm	JCB-991-10127	338.53
		01504700-01505099	P-UB-14	100 mm	140 mm	JCB-903-21165	336.45

Replacement Kits For

JCB

Excavators - Tracked								
APPLICATION	CYL #	SERIAL #	CODE	ROD	BORE	KIT #	List \$	
MODEL JS260								
DIPPER	33142815	01504700-01505099	P-UB-14	100 mm	140 mm	JCB-903-21165	336.45	
	JBV0313	00708626-00709199	P-UB-10	105 mm	150 mm	JCB-998-10022	445.40	
	LQU0148	00708501-00708625	P-UB-10	105 mm	150 mm	JCB-998-10022	445.40	
MODEL JS260 AUTO								
BOOM		00708501-00709199	P-UB-10	90 mm	130 mm	JCB-998-10021	241.19	
		01040003-01041999	P-UB-10	90 mm	130 mm	JCB-998-10021	241.19	
		01040003-01041999	P-UB-14	90 mm	130 mm	JCB-903-21037	268.36	
		01504700-01505099	P-UB-14	90 mm	130 mm	JCB-903-21037	268.36	
BOOM POSITION, TAB		00708501-00709199	P-UB-10	110 mm	160 mm	JCB-LQU0049	257.17	
		01040003-01041999	P-UB-10	110 mm	160 mm	JCB-LQU0049	257.17	
BUCKET		00708501-00709199	P-UB-10	90 mm	135 mm	JCB-998-10023	285.16	
		01040003-01041999	P-UB-10	95 mm	130 mm	JCB-331-38788	318.93	
		01040003-01041999	P-UB-14	95 mm	130 mm	JCB-903-21049	186.33	
		01054700-01505099	P-UB-14	95 mm	130 mm	JCB-903-21049	186.33	
BUCKET, LONG REACH		01040003-01041999	P-UB-10	70 mm	95 mm	JCB-903-20839	460.85	
DIPPER		00708501-00709199	P-UB-10	105 mm	150 mm	JCB-998-10022	445.40	
		01040003-01041999	P-UB-14	100 mm	140 mm	JCB-903-21165	336.45	
		01040003-01041999	P-UB-10	100 mm	140 mm	JCB-991-10127	338.53	
		01504700-01505099	P-UB-14	100 mm	140 mm	JCB-903-21165	336.45	
MODEL JS260 XD AUTO								
BOOM		00708501-00709199	P-UB-10	90 mm	130 mm	JCB-998-10021	241.19	
		01040003-01041999	P-UB-14	90 mm	130 mm	JCB-903-21037	268.36	
		01040003-01041999	P-UB-10	90 mm	130 mm	JCB-998-10021	241.19	
		01504700-01505099	P-UB-14	90 mm	130 mm	JCB-903-21037	268.36	
BOOM POSITION, TAB		00708501-00709199	P-UB-10	110 mm	160 mm	JCB-LQU0049	257.17	
		01040003-01041999	P-UB-10	110 mm	160 mm	JCB-LQU0049	257.17	
BUCKET		00708501-00709199	P-UB-10	90 mm	135 mm	JCB-998-10023	285.16	
		01040003-01041999	P-UB-14	95 mm	130 mm	JCB-903-21049	186.33	
		01040003-01041999	P-UB-10	95 mm	130 mm	JCB-331-38788	318.93	
		01054700-01505099	P-UB-14	95 mm	130 mm	JCB-903-21049	186.33	
BUCKET, LONG REACH		01040003-01041999	P-UB-10	70 mm	95 mm	JCB-903-20839	460.85	
DIPPER		00708501-00709199	P-UB-10	105 mm	150 mm	JCB-998-10022	445.40	
		01040003-01041999	P-UB-10	100 mm	140 mm	JCB-991-10127	338.53	
		01040003-01041999	P-UB-14	100 mm	140 mm	JCB-903-21165	336.45	
		01504700-01505099	P-UB-14	100 mm	140 mm	JCB-903-21165	336.45	
MODEL JS330								
BOOM		00712501-00712778	P-UB-10	100 mm	140 mm	JCB-LQU-0072	350.84	
		00712779-00713999	P-UB-10	100 mm	140 mm	JCB-991-10127	338.53	
		00712952-00713999	P-UB-10	100 mm	140 mm	JCB-903-21024	254.05	
	33117531	00712501-00712778	P-UB-10	100 mm	140 mm	JCB-LQU-0072	350.84	
	33121129	00712952-00713999	P-UB-10	100 mm	140 mm	JCB-991-10127	338.53	
	33142426	00712952-00713999	P-UB-10	100 mm	140 mm	JCB-903-21024	254.05	
	90320207	00712779-00712951	P-UB-10	100 mm	140 mm	JCB-991-10127	338.53	
	90320207	00712952-00713999	P-UB-10	100 mm	140 mm	JCB-991-10127	338.53	
	LNU0210	00712501-00712778	P-UB-10	100 mm	140 mm	JCB-LQU-0072	350.84	
	BUCKET		00712501-00712770	P-UB-10	95 mm	140 mm	JCB-LQU-0172	304.66
			00712771-00713999	P-UB-10	95 mm	140 mm	JCB-903-20233	477.08
		00712952-00713999	P-UB-14	95 mm	140 mm	JCB-903-21071	406.37	
33117533		00712501-00712770	P-UB-10	95 mm	140 mm	JCB-LQU-0172	304.66	
33121172		00712771-00712951	P-UB-10	95 mm	140 mm	JCB-903-20233	477.08	
33121172		00712952-00713999	P-UB-10	95 mm	140 mm	JCB-903-20233	477.08	
33142429		00712952-00713999	P-UB-14	95 mm	140 mm	JCB-903-21071	406.37	
90320234		00712771-00712951	P-UB-10	95 mm	140 mm	JCB-903-20233	477.08	
90320234		00712952-00713999	P-UB-10	95 mm	140 mm	JCB-903-20233	477.08	
90320556		00712952-00713999	P-UB-10	75 mm	105 mm	JCB-903-20435	244.04	

JCB

Replacement Kits For

JCB

Excavators - Tracked							
APPLICATION	CYL #	SERIAL #	CODE	ROD	BORE	KIT #	List \$
MODEL JS330							
BUCKET	LNU0432	00712501-00712770	P-UB-10	95 mm	140 mm	JCB-LQU-0172	304.66
DIPPER		00712501-00712779	P-UB-10	110 mm	160 mm	JCB-LQU-0074	537.30
		00712780-00713999	P-UB-10	110 mm	160 mm	JCB-903-20222	599.53
		00712952-00713999	P-UB-14	110 mm	160 mm	JCB-903-21061	358.48
	33114248	00712952-00713999	P-UB-14	110 mm	160 mm	JCB-903-21061	358.48
	33117532	00712501-00712779	P-UB-10	110 mm	160 mm	JCB-LQU-0074	537.30
	33121168	00712780-00712951	P-UB-10	110 mm	160 mm	JCB-903-20222	599.53
	33121168	00712952-00713999	P-UB-10	110 mm	160 mm	JCB-903-20222	599.53
	90320028	00712501-00712779	P-UB-10	110 mm	160 mm	JCB-LQU-0074	537.30
	90320223	00712780-00712951	P-UB-10	110 mm	160 mm	JCB-903-20222	599.53
90320223	00712952-00713999	P-UB-10	110 mm	160 mm	JCB-903-20222	599.53	
MODEL JS330 Auto							
BOOM		01224215-01224999	P-UB-14	95 mm	140 mm	JCB-903-21071	406.37
		01240500-01240999	P-UB-14	95 mm	140 mm	JCB-903-21071	406.37
BOOM, LONG REACH		01224215-01224999	P-UB-10	75 mm	105 mm	JCB-903-20435	244.04
		01240500-01240999	P-UB-10	75 mm	105 mm	JCB-903-20435	244.04
BUCKET		01224215-01224999	P-UB-10	100 mm	140 mm	JCB-903-21024	254.05
		01240500-01240999	P-UB-10	100 mm	140 mm	JCB-903-21024	254.05
DIPPER		01224215-01224999	P-UB-14	110 mm	160 mm	JCB-903-21061	358.48
		01240500-01240999	P-UB-14	110 mm	160 mm	JCB-903-21061	358.48
MODEL JS330XD							
BOOM		00712501-00712778	P-UB-10	100 mm	140 mm	JCB-LQU-0072	350.84
		00712779-00713999	P-UB-10	100 mm	140 mm	JCB-991-10127	338.53
		00712952-00713999	P-UB-10	100 mm	140 mm	JCB-903-21024	254.05
BUCKET		00712501-00712770	P-UB-10	95 mm	140 mm	JCB-LQU-0172	304.66
		00712771-00713999	P-UB-10	95 mm	140 mm	JCB-903-20233	477.08
		00712952-00713999	P-UB-14	95 mm	140 mm	JCB-903-21071	406.37
DIPPER		00712501-00712779	P-UB-10	110 mm	160 mm	JCB-LQU-0074	537.30
		00712780-00713999	P-UB-10	110 mm	160 mm	JCB-903-20222	599.53
		00712952-00713999	P-UB-14	110 mm	160 mm	JCB-903-21061	358.48
MODEL JS330XD Auto							
BOOM		01224215-01224999	P-UB-14	95 mm	140 mm	JCB-903-21071	406.37
		01240500-01240999	P-UB-14	95 mm	140 mm	JCB-903-21071	406.37
BOOM, LONG REACH		01224215-01224999	P-UB-10	75 mm	105 mm	JCB-903-20435	244.04
		01240500-01240999	P-UB-10	75 mm	105 mm	JCB-903-20435	244.04
BUCKET		01224215-01224999	P-UB-10	100 mm	140 mm	JCB-903-21024	254.05
		01240500-01240999	P-UB-10	100 mm	140 mm	JCB-903-21024	254.05
DIPPER		01224215-01224999	P-UB-14	110 mm	160 mm	JCB-903-21061	358.48
		01240500-01240999	P-UB-14	110 mm	160 mm	JCB-903-21061	358.48
MODEL JZ140							
BOOM	33144449	01137000-01137574	P-UB-10	75 mm	100 mm	JCB-903-20862	779.81
	33144455	01137583-01137999	P-UB-10	75 mm	100 mm	JCB-903-20862	779.81
	90320863		P-UB-10	75 mm	100 mm	JCB-903-20862	779.81
BUCKET		01137000-01137574	P-UB-10	70 mm	95 mm	JCB-903-20839	460.85
	90320840	01137583-01137999	P-UB-10	70 mm	95 mm	JCB-903-20839	460.85
DIPPER		01137000-01137574	P-UB-10	80 mm	115 mm	JCB-903-20856	594.65
	90320857	01137583-01137999	P-UB-10	80 mm	115 mm	JCB-903-20856	594.65
DOZER		01137000-01137154	I-U-10	65 mm	120 mm	JCB-991-00115	73.21
		01137155-01137574	I-U-10	65 mm	120 mm	JCB-991-00115	73.21
	56360081	01137583-01137999	I-U-10	65 mm	120 mm	JCB-991-00115	73.21
	56360082	01137583-01137999	I-U-10	65 mm	120 mm	JCB-991-00115	73.21
	56360106	01137583-01137999	I-U-10	65 mm	120 mm	JCB-991-00115	73.21
	56360107	01137583-01137999	I-U-10	65 mm	120 mm	JCB-991-00115	73.21
DOZER LH		01137575-01137582	I-U-10	65 mm	120 mm	JCB-991-00115	73.21
	56370106	01390000-01390499	I-U-10	65 mm	120 mm	JCB-991-00115	73.21

JCB

Replacement Kits For

JCB

Excavators - Tracked							
APPLICATION	CYL #	SERIAL #	CODE	ROD	BORE	KIT #	List \$
MODEL JZ140							
DOZER RH		01137575-01137582	I-U-10	65 mm	120 mm	JCB-991-00115	73.21
DOZER, RIGHT	56370107	01390000-01390499	I-U-10	65 mm	120 mm	JCB-991-00115	73.21
RAM POSITION		01137155-01137574	I-U-10	65 mm	120 mm	JCB-991-00115	73.21
	69000958	01137583-01137999	P-UB-10	75 mm	140 mm	JCB-690-00972	393.34
Loaders - Wheel							
APPLICATION	CYL #	SERIAL #	CODE	ROD	BORE	KIT #	List \$
MODEL 416							
Lift		00529000-00529499; 00530100-00530349; 00530350-00530599; 00530600-00530999; 01243000-01243499; 01317500-01317999; 005299500-00530099; 00529500-00530099; 00543000-00543099; 00543100-00543249; 00543250-00543999; 01243500-01243999	I-U-10	60 mm	100 mm	JCB-991-00145	115.32
Quick Hitch		00529000-00529499; 00530100-00530349; 00530350-00530599; 00530600-00530999; 01243000-01243499; 01317500-01317999; 005299500-00530099; 00529500-00530099; 00543000-00543099; 00543000-00543099; 00543100-00543249; 00543250-00543999; 01243500-01243999	I-U-10	25 mm	50 mm	JCB-991-00097	75.27
Steering		00529000-00529499; 00530100-00530349; 00530350-00530599; 00530600-00530999; 01243000-01243499; 01317500-01317999; 005299500-00530099; 00529500-00530099; 00543100-00543249; 00543250-00543999; 01243500-01243999	I-U-10	40 mm	70 mm	JCB-991-10152	125.39
Tilt		00529000-00529499	I-U-10	50 mm	90 mm	JCB-991-00103	86.99
Tow Hitch		00543000-00543099; 00543100-00543249; 00543250-00543999; 01243500-01243999	I-U-15	30 mm	60 mm	JCB-262-83024	39.12
MODEL 416B							
Lift		00529000-00529499; 00530100-00530349; 00530350-00530599; 00530600-00530999; 01243000-01243499; 01317500-01317999; 005299500-00530099; 00529500-00530099; 00543000-00543099; 00543100-00543249; 00543250-00543999; 01243500-01243999	I-U-10	60 mm	100 mm	JCB-991-00145	115.32

JCB

Replacement Kits For

JCB

Loaders - Wheel							
APPLICATION	CYL #	SERIAL #	CODE	ROD	BORE	KIT #	List \$
MODEL 416B							
Quick Hitch		00529000-00529499; 00530100-00530349; 00530350-00530599; 00530600-00530999; 01243000-01243499; 01317500-01317999; 005299500-00530099; 00529500-00530099; 00543000-00543099; 00543000-00543099; 00543100-00543249; 00543250-00543999; 01243500-01243999	I-U-10	25 mm	50 mm	JCB-991-00097	75.27
Steering		00529000-00529499; 00530100-00530349; 00530350-00530599; 00530600-00530999; 01243000-01243499; 01317500-01317999; 005299500-00530099; 00529500-00530099; 00543100-00543249; 00543250-00543999; 01243500-01243999	I-U-10	40 mm	70 mm	JCB-991-10152	125.39
Tilt		00529000-00529499	I-U-10	50 mm	90 mm	JCB-991-00103	86.99
Tow Hitch		00543000-00543099; 00543100-00543249; 00543250-00543999; 01243500-01243999	I-U-15	30 mm	60 mm	JCB-262-83024	39.12
MODEL 416B LE							
Lift		00529000-00529499; 00530100-00530349; 00530350-00530599; 00530600-00530999; 01243000-01243499; 01317500-01317999; 005299500-00530099; 00529500-00530099; 00543000-00543099; 00543100-00543249; 00543250-00543999; 01243500-01243999	I-U-10	60 mm	100 mm	JCB-991-00145	115.32
Quick Hitch		00529000-00529499; 00530100-00530349; 00530350-00530599; 00530600-00530999; 01243000-01243499; 01317500-01317999; 005299500-00530099; 00529500-00530099; 00543000-00543099; 00543000-00543099; 00543100-00543249; 00543250-00543999; 01243500-01243999	I-U-10	25 mm	50 mm	JCB-991-00097	75.27
Steering		00529000-00529499; 00530100-00530349; 00530350-00530599; 00530600-00530999; 01243000-01243499; 01317500-01317999; 005299500-00530099; 00529500-00530099; 00543100-00543249; 00543250-00543999; 01243500-01243999	I-U-10	40 mm	70 mm	JCB-991-10152	125.39

JCB

Replacement Kits For

JCB

Loaders - Wheel							
APPLICATION	CYL #	SERIAL #	CODE	ROD	BORE	KIT #	List \$
MODEL 416B LE							
Tilt		00529000-00529499	I-U-10	50 mm	90 mm	JCB-991-00103	86.99
Tow Hitch		00543000-00543099; 00543100-00543249; 00543250-00543999; 01243500-01243999	I-U-15	30 mm	60 mm	JCB-262-83024	39.12
MODEL 416S							
Lift		00529000-00529499; 00530100-00530349; 00530350-00530599; 00530600-00530999; 01243000-01243499; 01317500-01317999; 005299500-00530099; 00529500-00530099; 00543000-00543099; 00543100-00543249; 00543250-00543999; 01243500-01243999	I-U-10	60 mm	100 mm	JCB-991-00145	115.32
Quick Hitch		00529000-00529499; 00530100-00530349; 00530350-00530599; 00530600-00530999; 01243000-01243499; 01317500-01317999; 005299500-00530099; 00529500-00530099; 00543000-00543099; 00543000-00543099; 00543100-00543249; 00543250-00543999; 01243500-01243999	I-U-10	25 mm	50 mm	JCB-991-00097	75.27
Steering		00529000-00529499; 00530100-00530349; 00530350-00530599; 00530600-00530999; 01243000-01243499; 01317500-01317999; 005299500-00530099; 00529500-00530099; 00543000-00543099; 00543000-00543099; 00543100-00543249; 00543250-00543999; 01243500-01243999	I-U-10	40 mm	70 mm	JCB-991-10152	125.39
Tilt		00529000-00529499	I-U-10	50 mm	90 mm	JCB-991-00103	86.99
Tow Hitch		00543000-00543099; 00543100-00543249; 00543250-00543999; 01243500-01243999	I-U-15	30 mm	60 mm	JCB-262-83024	39.12
Telehandlers							
APPLICATION	CYL #	SERIAL #	CODE	ROD	BORE	KIT #	List \$
MODEL 505-19 F.M							
BOX TIPPER, STRIMECH	983-00130	M561011-M579360	I-U-15	50 mm	100 mm	JCB-983-00154	124.20
CARRIAGE - Sideshift	547-42101	M561011-M579360	I-U-4	7/8"	2"	JCB-547-42102	32.06
CLAMSHOVEL	556-44000	M561011-M579360	I-U-15	40 mm	70 mm	JCB-991-00122	84.05
	556-60019	M561011-M579360	I-U-10	40 mm	70 mm	JCB-991-00095	87.89
DISPLACEMENT	561-24200	M569247	I-U-15	50 mm	110 mm	JCB-991-00126	94.31
	561-60006	M561011-M579360	I-U-15	50 mm	110 mm	JCB-991-00126	94.31
	561-60019	M561011-M579360	I-U-10	50 mm	110 mm	JCB-991-00109	121.25
EXTENSION	553-13800	M561011-M579360	I-U-15	50 mm	70 mm	JCB-556-24900K	198.21
EXTENSION - Metric	556-60062	M561011-M579360	I-U-10	50 mm	70 mm	JCB-991-00105	132.90
LIFT	561-23600	M567495	I-U-15	60 mm	110 mm	JCB-991-00131	120.35
	561-42800	M569262	I-U-15	60 mm	110 mm	JCB-991-00131	120.35
	561-60005	M561011-M579360	I-U-15	60 mm	110 mm	JCB-991-00131	120.35
	561-60017	M561011-M579360	I-U-10	60 mm	110 mm	JCB-991-00110	146.02

JCB

Telehandlers							
APPLICATION	CYL #	SERIAL #	CODE	ROD	BORE	KIT #	List \$
MODEL 505-19 F.M							
LIFT - Float	561-60039	M561011-M579360	I-U-10	60 mm	110 mm	JCB-991-00110	146.02
LOG GRAB	545-45300	M561011-M579360	I-U-10	1-1/2"	2-3/8"	JCB-545-45307	70.56
MANURE FORK	980-35601	M561011-M579360	I-U-10	1-1/2"	3"	JCB-980-35603	98.64
STEERING - Front	551-06200	M561011-M579360	I-U-10	25 mm	50 mm	JCB-993-46200K	83.05
STEERING - Front & Rear	551-06400	M561011-M579360	I-U-10	25 mm	50 mm	JCB-991-00071	66.62
	551-08500	M568555	I-U-10	25 mm	50 mm	JCB-991-00054	92.08
	551-10100	M561011-M579360	I-U-10	25 mm	50 mm	JCB-991-00097	75.27
STEERING - Front, JCB Option	993-46200	M561011-M579360	I-U-10	25 mm	50 mm	JCB-993-46200K	83.05
STEERING - Rear	551-06300	M561011-M579360	I-U-10	25 mm	50 mm	JCB-993-46200K	83.05
STEERING - Rear, JCB Option	993-46400	M561011-M579360	I-U-10	25 mm	50 mm	JCB-993-46200K	83.05
TILT	553-02000	M561011-M579360	I-U-14	30 mm	60 mm	JCB-991-00021	71.86
	553-04300	M561011-M579360	I-U-14	30 mm	60 mm	JCB-991-00021	71.86
	561-23900	M561307	I-U-15	50 mm	110 mm	JCB-991-00126	94.31
	561-33500	M569262	I-U-15	50 mm	110 mm	JCB-991-00126	94.31
	561-60009	M561011-M579360	I-U-15	50 mm	110 mm	JCB-991-00126	94.31
	561-60020	M561011-M579360	I-U-10	50 mm	110 mm	JCB-991-00109	121.25
TILT - Boom Float	561-60038	M561011-M579360	I-U-10	50 mm	110 mm	JCB-991-00109	121.25
TOW HITCH	556-31100	M561011-M579360	I-U-10	30 mm	70 mm	JCB-991-00069	54.21
	556-42200	M568560	I-U-10	30 mm	70 mm	JCB-991-00099	87.97
	556-46700	M561011-M579360	I-U-10	30 mm	70 mm	JCB-991-00099	87.97
MODEL 505-22, 505-22 SWAY							
BOX TIPPER, STRIMECH	983-00130	M561011-M579360	I-U-15	50 mm	100 mm	JCB-983-00154	124.20
CARRIAGE - Sideshift	547-42101	M561011-M579360	I-U-4	7/8"	2"	JCB-547-42102	32.06
	993-34500	M561011-M579360	I-U-4	1"	2-1/2"	JCB-993-34509	34.57
CLAMSHOVEL	556-44000	M561011-M579360	I-U-15	40 mm	70 mm	JCB-991-00122	84.05
	556-60019	M561011-M579360	I-U-10	40 mm	70 mm	JCB-991-00095	87.89
DISPLACEMENT	561-32400	M569237	I-U-15	50 mm	110 mm	JCB-991-00126	94.31
	561-60008	M561011-M579360	I-U-15	50 mm	110 mm	JCB-991-00126	94.31
	561-60025	M561011-M579360	I-U-10	50 mm	110 mm	JCB-991-00109	121.25
EXTENSION	556-32700	M561011-M579360	I-U-15	50 mm	70 mm	JCB-556-24900K	198.21
	556-60050	M561011-M579360	I-U-10	50 mm	70 mm	JCB-991-00105	132.90
LIFT	561-24500	M567495	I-U-15	60 mm	110 mm	JCB-991-00131	120.35
	561-42700	M569149	I-U-15	60 mm	110 mm	JCB-991-00131	120.35
	561-60004	M561011-M579360	I-U-15	60 mm	110 mm	JCB-991-00131	120.35
	561-60015	M561011-M579360	I-U-10	60 mm	110 mm	JCB-991-00110	146.02
	561-60015	M561011-M579360	I-U-10	60 mm	110 mm	JCB-991-00110	146.02
LOG GRAB	545-45300	M561011-M579360	I-U-10	1-1/2"	2-3/8"	JCB-545-45307	70.56
MANURE FORK	980-35601	M561011-M579360	I-U-10	1-1/2"	3"	JCB-980-35603	98.64
STEERING - Front	551-06200	M561011-M579360	I-U-10	25 mm	50 mm	JCB-993-46200K	83.05
STEERING - Front & Rear	551-06400	M561011-M579360	I-U-10	25 mm	50 mm	JCB-991-00071	66.62
	551-08500	M568555	I-U-10	25 mm	50 mm	JCB-991-00054	92.08
	551-10100	M561011-M579360	I-U-10	25 mm	50 mm	JCB-991-00097	75.27
STEERING - Front, JCB Option	993-46200	M561011-M579360	I-U-10	25 mm	50 mm	JCB-993-46200K	83.05
STEERING - Rear	551-06300	M561011-M579360	I-U-10	25 mm	50 mm	JCB-993-46200K	83.05
STEERING - Rear, JCB Option	993-46400	M561011-M579360	I-U-10	25 mm	50 mm	JCB-993-46200K	83.05
SWAY	561-24800	M569212	I-U-15	50 mm	110 mm	JCB-991-00126	94.31
	561-60012	M561011-M579360	I-U-15	50 mm	110 mm	JCB-991-00126	94.31
	561-60023	M561011-M579360	I-U-10	50 mm	110 mm	JCB-991-00109	121.25
TILT	553-02000	M561011-M579360	I-U-14	30 mm	60 mm	JCB-991-00021	71.86
	553-04300	M561011-M579360	I-U-14	30 mm	60 mm	JCB-991-00021	71.86
	561-23900	M561307	I-U-15	50 mm	110 mm	JCB-991-00126	94.31
	561-33500	M569262	I-U-15	50 mm	110 mm	JCB-991-00126	94.31
	561-60009	M561011-M579360	I-U-15	50 mm	110 mm	JCB-991-00126	94.31
	561-60020	M561011-M579360	I-U-10	50 mm	110 mm	JCB-991-00109	121.25
TOW HITCH	556-31100	M561011-M579360	I-U-10	30 mm	70 mm	JCB-991-00069	54.21
	556-42200	M568560	I-U-10	30 mm	70 mm	JCB-991-00099	87.97

Replacement Kits For

JCB

Telehandlers							
APPLICATION	CYL #	SERIAL #	CODE	ROD	BORE	KIT #	List \$
MODEL 505-22, 505-22 SWAY							
TOW HITCH	556-46700	M561011-M579360	I-U-10	30 mm	70 mm	JCB-991-00099	87.97
MODEL 506-36							
DISPLACEMENT	563-60136	01403000-01404999; 02083497-02084497; 02144565-02149565; 02173052-02183052	I-U-10	65 mm	120 mm	JCB-991-00115	73.21
EXTENSION LOADER	561-60263	01403000-01404999; 02083497-02084497; 02144565-02149565; 02173052-02183052	I-U-10	70 mm	110 mm	JCB-991-00112	115.93
LIFT	561-60267	01403000-01404999; 02083497-02084497; 02144565-02149565; 02173052-02183052	I-U-10	70 mm	110 mm	JCB-991-00112	115.93
STABILIZER	561-60236	01403000-01404999; 02083497-02084497; 02144565-02149565; 02173052-02183052	I-U-10	50 mm	110 mm	JCB-991-00109	121.25
TILT	563-60123	01403000-01404999; 02083497-02084497; 02144565-02149565; 02173052-02183052	I-U-10	65 mm	120 mm	JCB-991-00115	73.21
MODEL 506B							
DISPLACEMENT	563-60012	M570000	I-U-10	65 mm	120 mm	JCB-991-00115	73.21
EXTENSION	903-05900	M570000	I-U-10	70 mm	110 mm	JCB-991-00112	115.93
	903-06100	M570000	I-U-10	70 mm	110 mm	JCB-991-00112	115.93
LIFT	561-60018	M570000	I-U-10	65 mm	110 mm	JCB-991-00111	164.12
STEERING - Front & Rear	551-10100	M570000	I-U-10	25 mm	50 mm	JCB-991-00097	75.27
SWAY	561-60012	M570000	I-U-15	50 mm	110 mm	JCB-991-00126	94.31
	561-60023	M570000	I-U-10	50 mm	110 mm	JCB-991-00109	121.25
TILT	563-60011	M570000	I-U-10	65 mm	120 mm	JCB-991-00115	73.21
MODEL 506C							
DISPLACEMENT	563-60012		I-U-10	65 mm	120 mm	JCB-991-00115	73.21
EXTENSION	561-60072		I-U-10	70 mm	110 mm	JCB-991-00112	115.93
	903-06100		I-U-10	70 mm	110 mm	JCB-991-00112	115.93
LIFT	561-60056		I-U-10	70 mm	110 mm	JCB-991-00112	115.93
STEERING	551-10100		I-U-10	25 mm	50 mm	JCB-991-00097	75.27
SWAY	561-60023		I-U-10	50 mm	110 mm	JCB-991-00109	121.25
	561-60127		I-U-10	50 mm	110 mm	JCB-991-00109	121.25
TILT	563-60011		I-U-10	65 mm	120 mm	JCB-991-00115	73.21
MODEL 506C-HL							
DISPLACEMENT	563-70012		I-U-10	65 mm	120 mm	JCB-991-00115	73.21
EXTENSION	561-60068		I-U-10	75 mm	110 mm	JCB-991-00161	144.91
LIFT	561-60120		I-U-10	70 mm	110 mm	JCB-991-00112	115.93
STEERING	553-13800		I-U-10	30 mm	60 mm	JCB-991-00098	83.05
	563-60012		I-U-10	30 mm	60 mm	JCB-991-00098	83.05
SWAY	561-60023		I-U-10	50 mm	110 mm	JCB-991-00109	121.25
	561-60127		I-U-10	50 mm	110 mm	JCB-991-00109	121.25
TILT	563-60011		I-U-10	65 mm	120 mm	JCB-991-00115	73.21
MODEL 507-42							
DISPLACEMENT	563-70136	01402920-01404999; 01403000-01404999; 02083497-02084497; 02144565-02149565; 02173052-02183052	I-U-10	65 mm	120 mm	JCB-991-00115	73.21
EXTENSION	561-70243	01402920-01404999; 01403000-01404999; 02083497-02084497; 02144565-02149565; 02173052-02183052	I-U-10	75 mm	110 mm	JCB-991-00161	144.91

JCB

Telehandlers							
APPLICATION	CYL #	SERIAL #	CODE	ROD	BORE	KIT #	List \$
MODEL 507-42							
LIFT	561-70230	01402920-01404999; 01403000-01404999; 02083497-02084497; 02144565-02149565; 02173052-02183052	I-U-10	70 mm	110 mm	JCB-991-00112	115.93
STABILIZER REAR AXLE (LH)	561-70234	01402920-01404999; 01403000-01404999; 02083497-02084497; 02144565-02149565; 02173052-02183052	I-U-10	50 mm	110 mm	JCB-991-00109	121.25
STABILIZER REAR AXLE (RH)	561-70235	01402920-01404999; 01403000-01404999; 02083497-02084497; 02144565-02149565; 02173052-02183052	I-U-10	50 mm	110 mm	JCB-991-00109	121.25
STABILIZER SWAY	561-70236	01402920-01404999; 01403000-01404999; 02083497-02084497; 02144565-02149565; 02173052-02183052	I-U-10	50 mm	110 mm	JCB-991-00109	121.25
STEERING	553-70198	01402920-01404999; 01403000-01404999; 02083497-02084497; 02144565-02149565; 02173052-02183052	I-U-10	30 mm	60 mm	JCB-991-20024	62.17
TILT	563-70112	01402920-01404999; 01403000-01404999; 02083497-02084497; 02144565-02149565; 02173052-02183052	I-U-10	65 mm	120 mm	JCB-991-00115	73.21
MODEL 508C							
DISPLACEMENT	563-60012		I-U-10	65 mm	120 mm	JCB-991-00115	73.21
EXTENSION	561-60068		I-U-10	75 mm	110 mm	JCB-991-00161	144.91
LIFT	563-60034		I-U-10	75 mm	120 mm	JCB-991-00160	157.81
	563-60041		I-U-10	75 mm	120 mm	JCB-991-00160	157.81
STEERING	551-13800		I-U-10	30 mm	60 mm	JCB-991-00098	83.05
	553-60143		I-U-10	30 mm	60 mm	JCB-991-00098	83.05
SWAY	561-60023		I-U-10	50 mm	110 mm	JCB-991-00109	121.25
	561-60127		I-U-10	50 mm	110 mm	JCB-991-00109	121.25
TILT	563-60033		I-U-10	65 mm	120 mm	JCB-991-00115	73.21
MODEL 509-42							
DISPLACEMENT	563-60136	01402020-01404999; 01403000-01404999; 02083497-02084497; 02144565-02149565; 02173052-02183052	I-U-10	65 mm	120 mm	JCB-991-00115	73.21
	563-70136	01402020-01404999; 02083497-02084497; 02144565-02149565; 02173052-02183052	I-U-10	65 mm	120 mm	JCB-991-00115	73.21
EXTENSION	561-70243	01402020-01404999; 02083497-02084497; 02144565-02149565; 02173052-02183052	I-U-10	75 mm	110 mm	JCB-991-00161	144.91
EXTENSION LOADER	561-60265	01402020-01404999; 01403000-01404999; 02083497-02084497; 02144565-02149565; 02173052-02183052	I-U-10	75 mm	110 mm	JCB-991-00161	144.91

Replacement Kits For

JCB

Telehandlers							
APPLICATION	CYL #	SERIAL #	CODE	ROD	BORE	KIT #	List \$
MODEL 509-42							
LIFT	563-60141	01402020-01404999; 01403000-01404999; 02083497-02084497; 02144565-02149565; 02173052-02183052	I-U-10	75 mm	120 mm	JCB-991-00160	157.81
	563-70129	01402020-01404999; 02083497-02084497; 02144565-02149565; 02173052-02183052	I-U-10	75 mm	120 mm	JCB-991-00160	157.81
STABILIZER	561-60236	01402020-01404999; 01403000-01404999; 02083497-02084497; 02144565-02149565; 02173052-02183052	I-U-10	50 mm	110 mm	JCB-991-00109	121.25
STABILIZER REAR AXLE - Left & Right	561-60234; 561-60235	01402020-01404999; 01403000-01404999; 02083497-02084497; 02144565-02149565; 02173052-02183052	I-U-10	50 mm	110 mm	JCB-991-00109	121.25
STABILIZER REAR AXLE (LH)	561-70234	01402020-01404999; 02083497-02084497; 02144565-02149565; 02173052-02183052	I-U-10	50 mm	110 mm	JCB-991-00109	121.25
STABILIZER REAR AXLE (RH)	561-70235	01402020-01404999; 02083497-02084497; 02144565-02149565; 02173052-02183052	I-U-10	50 mm	110 mm	JCB-991-00109	121.25
STABILIZER SWAY	561-70236	01402020-01404999; 02083497-02084497; 02144565-02149565; 02173052-02183052	I-U-10	50 mm	110 mm	JCB-991-00109	121.25
STEERING	553-70198	01402020-01404999; 02083497-02084497; 02144565-02149565; 02173052-02183052	I-U-10	30 mm	60 mm	JCB-991-20024	62.17
TILT	563-60123	01402020-01404999; 01403000-01404999; 02083497-02084497; 02144565-02149565; 02173052-02183052	I-U-10	65 mm	120 mm	JCB-991-00115	73.21
	563-70112	01402020-01404999; 02083497-02084497; 02144565-02149565; 02173052-02183052	I-U-10	65 mm	120 mm	JCB-991-00115	73.21
MODEL 510-56							
DISPLACEMENT	563-70136	01402020-01404999; 01403000-01404999; 02083497-02084497; 02144565-02149565; 02173052-02183052	I-U-10	65 mm	120 mm	JCB-991-00115	73.21
	563-70136	01402020-01404999; 02083497-02084497; 02144565-02149565; 02173052-02183052	I-U-10	65 mm	120 mm	JCB-991-00115	73.21
DOZER		01402020-01404999; 01403000-01404999; 02083497-02084497; 02144565-02149565; 02173052-02183052	I-U-10	60 mm	110 mm	JCB-991-20030	90.87
		01402020-01404999; 02083497-02084497; 02144565-02149565; 02173052-02183052	I-U-10	60 mm	110 mm	JCB-991-20030	90.87

JCB

Telehandlers							
APPLICATION	CYL #	SERIAL #	CODE	ROD	BORE	KIT #	List \$
MODEL 510-56							
EXTENSION	565-70112	01402020-01404999; 02083497-02084497; 02144565-02149565; 02173052-02183052	I-U-10	35 mm	60 mm	JCB-991-00170	72.56
EXTENSION LOADER	565-70112	01402020-01404999; 01403000-01404999; 02083497-02084497; 02144565-02149565; 02173052-02183052	P-UB-15	Ø, 105 mm	Ø, 125 mm	JCB-991-10170	184.82
LIFT	565-70117	01402020-01404999; 01403000-01404999; 02083497-02084497; 02144565-02149565; 02173052-02183052	I-U-10	75 mm	130 mm	JCB-991-00121	113.59
	565-70117	01402020-01404999; 02083497-02084497; 02144565-02149565; 02173052-02183052	I-U-10	75 mm	130 mm	JCB-991-00121	113.59
STABILIZER	561-70236	01402020-01404999; 01403000-01404999; 02083497-02084497; 02144565-02149565; 02173052-02183052	I-U-10	50 mm	110 mm	JCB-991-00109	121.25
STABILIZER - Left Hand Assembly	561-70210	01402020-01404999; 01403000-01404999; 02083497-02084497; 02144565-02149565; 02173052-02183052	I-U-10	60 mm	110 mm	JCB-991-20030	90.87
STABILIZER - Right Side Assembly	561-70209	01402020-01404999; 01403000-01404999; 02083497-02084497; 02144565-02149565; 02173052-02183052	I-U-10	60 mm	110 mm	JCB-991-20030	90.87
STABILIZER (LH)	561-70210	01402020-01404999; 02083497-02084497; 02144565-02149565; 02173052-02183052	I-U-10	60 mm	110 mm	JCB-991-20030	90.87
STABILIZER (RH)	561-70209	01402020-01404999; 02083497-02084497; 02144565-02149565; 02173052-02183052	I-U-10	60 mm	110 mm	JCB-991-20030	90.87
STABILIZER REAR AXLE - Left & Right	561-70234; 561-70235	01402020-01404999; 01403000-01404999; 02083497-02084497; 02144565-02149565; 02173052-02183052	I-U-10	50 mm	110 mm	JCB-991-00109	121.25
STABILIZER REAR AXLE (LH)	561-70234	01402020-01404999; 02083497-02084497; 02144565-02149565; 02173052-02183052	I-U-10	50 mm	110 mm	JCB-991-00109	121.25
STABILIZER REAR AXLE (RH)	561-70235	01402020-01404999; 02083497-02084497; 02144565-02149565; 02173052-02183052	I-U-10	50 mm	110 mm	JCB-991-00109	121.25
STABILIZER SWAY	561-70236	01402020-01404999; 02083497-02084497; 02144565-02149565; 02173052-02183052	I-U-10	50 mm	110 mm	JCB-991-00109	121.25
STEERING	553-70198	01402020-01404999; 02083497-02084497; 02144565-02149565; 02173052-02183052	I-U-10	30 mm	60 mm	JCB-991-20024	62.17

Replacement Kits For

JCB

Telehandlers							
APPLICATION	CYL #	SERIAL #	CODE	ROD	BORE	KIT #	List \$
MODEL 510-56							
TILT	563-70112	01402020-01404999; 01403000-01404999; 02083497-02084497; 02144565-02149565; 02173052-02183052	I-U-10	65 mm	120 mm	JCB-991-00115	73.21
	563-70112	01402020-01404999; 02083497-02084497; 02144565-02149565; 02173052-02183052	I-U-10	65 mm	120 mm	JCB-991-00115	73.21
MODEL 512-56							
DISPLACEMENT	563-70136	01402020-01404999; 01403000-01404999; 02083497-02084497; 02144565-02149565; 02173052-02183052	I-U-10	65 mm	120 mm	JCB-991-00115	73.21
EXTENSION LOADER	565-70112	01402020-01404999; 01403000-01404999; 02083497-02084497; 02144565-02149565; 02173052-02183052	P-UB-15	0, 105 mm	0, 125 mm	JCB-991-10170	184.82
LIFT	565-70117	01402020-01404999; 01403000-01404999; 02083497-02084497; 02144565-02149565; 02173052-02183052	I-U-10	75 mm	130 mm	JCB-991-00121	113.59
STABILIZER	561-70236	01402020-01404999; 01403000-01404999; 02083497-02084497; 02144565-02149565; 02173052-02183052	I-U-10	50 mm	110 mm	JCB-991-00109	121.25
STABILIZER - Left Hand Assembly	561-70210	01402020-01404999; 01403000-01404999; 02083497-02084497; 02083497-02084497; 02144565-02149565; 02173052-02183052	I-U-10	60 mm	110 mm	JCB-991-20030	90.87
STABILIZER - Right Side Assembly	561-70209	01402020-01404999; 01403000-01404999; 02083497-02084497; 02144565-02149565; 02173052-02183052	I-U-10	60 mm	110 mm	JCB-991-20030	90.87
STABILIZER REAR AXLE - Left & Right	561-70234; 561-70235	01402020-01404999; 01403000-01404999; 02083497-02084497; 02144565-02149565; 02173052-02183052	I-U-10	50 mm	110 mm	JCB-991-00109	121.25
TILT	563-70157	01402020-01404999; 01403000-01404999; 02083497-02084497; 02144565-02149565; 02173052-02183052	I-U-10	65 mm	120 mm	JCB-991-20038	129.46
MODEL 520-50							
DISPLACEMENT		00754000-00754999; 00789001-00790999; 00881000-00882999; 01048000-01048999; 01411000-01411999	I-U-10	60 mm	110 mm	JCB-991-00110	146.02
EXTENSION		00754000-00754999; 00789001-00790999; 00881000-00882999; 01048000-01048999; 01411000-01411999	I-U-10	50 mm	70 mm	JCB-991-00105	132.90

JCB

Replacement Kits For

JCB

Telehandlers							
APPLICATION	CYL #	SERIAL #	CODE	ROD	BORE	KIT #	List \$
MODEL 520-50							
LIFT		00754000-00754999; 00789001-00790999; 00881000-00882999; 01048000-01048999; 01411000-01411999	I-U-10	60 mm	110 mm	JCB-991-00110	146.02
LOG GRAB, MANURE SILAGE FORK		00754000-00754999; 00789001-00790999; 00881000-00882999; 01048000-01048999; 01411000-01411999	I-U-10	1-1/2"	2-3/8"	JCB-545-45307	70.56
MULTIBUCKET		00754000-00754999; 00789001-00790999; 00881000-00882999; 01048000-01048999; 01411000-01411999	I-U-10	1-1/2"	2-3/8"	JCB-545-45307	70.56
STEERING		00754000-00754999; 00789001-00790999; 00881000-00882999; 01048000-01048999; 01411000-01411999	I-U-10	30 mm	60 mm	JCB-991-00098	83.05
TILT		00754000-00754999; 00789001-00790999; 00881000-00882999; 01048000-01048999; 01411000-01411999	I-U-10	70 mm	120 mm	JCB-991-20027	54.54
TOW HITCH		00754000-00754999; 00789001-00790999; 00881000-00882999; 01048000-01048999; 01411000-01411999	I-U-10	25 mm	50 mm	JCB-991-00097	75.27
MODEL 520-50LE							
DISPLACEMENT		00754000-00754999; 00789001-00790999; 00881000-00882999; 01048000-01048999; 01411000-01411999	I-U-10	60 mm	110 mm	JCB-991-00110	146.02
EXTENSION		00754000-00754999; 00789001-00790999; 00881000-00882999; 01048000-01048999; 01411000-01411999	I-U-10	50 mm	70 mm	JCB-991-00105	132.90
LIFT		00754000-00754999; 00789001-00790999; 00881000-00882999; 01048000-01048999; 01411000-01411999	I-U-10	60 mm	110 mm	JCB-991-00110	146.02
LOG GRAB, MANURE SILAGE FORK		00754000-00754999; 00789001-00790999; 00881000-00882999; 01048000-01048999; 01411000-01411999	I-U-10	1-1/2"	2-3/8"	JCB-545-45307	70.56
MULTIBUCKET		00754000-00754999; 00789001-00790999; 00881000-00882999; 01048000-01048999; 01411000-01411999	I-U-10	1-1/2"	2-3/8"	JCB-545-45307	70.56
STEERING		00754000-00754999; 00789001-00790999; 00881000-00882999; 01048000-01048999; 01411000-01411999	I-U-10	30 mm	60 mm	JCB-991-00098	83.05

JCB

Replacement Kits For

JCB

Telehandlers							
APPLICATION	CYL #	SERIAL #	CODE	ROD	BORE	KIT #	List \$
MODEL 520-50LE							
TILT		00754000-00754999; 00789001-00790999; 00881000-00882999; 01048000-01048999; 01411000-01411999	I-U-10	70 mm	120 mm	JCB-991-20027	54.54
TOW HITCH		00754000-00754999; 00789001-00790999; 00881000-00882999; 01048000-01048999; 01411000-01411999	I-U-10	25 mm	50 mm	JCB-991-00097	75.27
MODEL 525B-4HL							
ATTACHMENT	545-45300	M272000-M276567	I-U-10	1-1/2"	2-3/8"	JCB-545-45307	70.56
DISPLACEMENT	561-09900	M272000-M276567	I-U-15	60 mm	110 mm	JCB-991-00058	120.35
EXTENSION	556-08300	M272050	I-SP-15	50 mm	70 mm	JCB-556-08300K	136.75
	556-12900	M272000-M276567	I-SP-15	50 mm	70 mm	JCB-556-08300K	136.75
EXTENSION w/ Check Valve	556-13400	M272000-M276567	I-SP-15	50 mm	70 mm	JCB-556-08300K	136.75
LIFT - 7' Mast - 1st Stage	547-41700	M272000-M276567	P-U-10	2"	2-1/2"	JCB-991-03900	66.84
LIFT - 7' Mast - 2nd Stage	547-41700	M272000-M276567	I-U-15	2-7/8"	3-1/2"	JCB-991-03800	95.76
TILT	561-29600	M272000-M276567	I-SP-15	60 mm	110 mm	JCB-561-10200K	183.78
TILT - Side	553-04300	M272000-M276567	I-U-14	30 mm	60 mm	JCB-991-00021	71.86
MODEL 527-55							
DISPLACEMENT		01014357-01014999	I-U-10	35 mm	70 mm	JCB-991-10041	60.00
		01014357-01014999; 01068000-01069999; 01069457-01069548; 01417000-01419999	I-U-10	40 mm	70 mm	JCB-991-10151	43.13
EXTENSION		01014357-01014999; 01068000-01069999; 01069457-01069548; 01417000-01419999	I-U-10	50 mm	70 mm	JCB-991-00105	132.90
LIFT		01014357-01014999; 01068000-01069999; 01069457-01069548; 01417000-01419999	I-U-10	65 mm	120 mm	JCB-991-00115	73.21
STEERING		01014357-01014999; 01068000-01069999; 01069457-01069548; 01417000-01419999	I-U-10	42 mm	75 mm	JCB-448-17201	54.70
TILT		01014357-01014999; 01068000-01069999; 01069457-01069548; 01417000-01419999	I-U-10	70 mm	120 mm	JCB-991-20027	54.54
TOW HITCH		01014357-01014999; 01068000-01069999; 01069457-01069548; 01417000-01419999	I-U-10	25 mm	50 mm	JCB-991-00097	75.27
MODEL 527-55S							
DISPLACEMENT		01014357-01014999	I-U-10	35 mm	70 mm	JCB-991-10041	60.00
		01014357-01014999; 01068000-01069999; 01069457-01069548; 01417000-01419999	I-U-10	40 mm	70 mm	JCB-991-10151	43.13
EXTENSION		01014357-01014999; 01068000-01069999; 01069457-01069548; 01417000-01419999	I-U-10	50 mm	70 mm	JCB-991-00105	132.90
LIFT		01014357-01014999; 01068000-01069999; 01069457-01069548; 01417000-01419999	I-U-10	65 mm	120 mm	JCB-991-00115	73.21

JCB

Replacement Kits For

JCB

Telehandlers							
APPLICATION	CYL #	SERIAL #	CODE	ROD	BORE	KIT #	List \$
MODEL 527-55S							
STEERING		01014357-01014999; 01068000-01069999; 01069457-01069548; 01417000-01419999	I-U-10	42 mm	75 mm	JCB-448-17201	54.70
TILT		01014357-01014999; 01068000-01069999; 01069457-01069548; 01417000-01419999	I-U-10	70 mm	120 mm	JCB-991-20027	54.54
TOW HITCH		01014357-01014999; 01068000-01069999; 01069457-01069548; 01417000-01419999	I-U-10	25 mm	50 mm	JCB-991-00097	75.27
MODEL 530B-4HL							
ATTACHMENT	545-45300	M580001-M584435	I-U-10	1-1/2"	2-3/8"	JCB-545-45307	70.56
BOOM LIFT	561-13800	M580970	I-U-15	60 mm	110 mm	JCB-991-00014	83.00
	561-22400	M580001-M584435	I-U-15	60 mm	110 mm	JCB-991-00029	120.35
CLAMSHOVEL	556-23700	M580001-M584435	I-U-15	40 mm	70 mm	JCB-991-00015	51.33
	556-31900	M580001-M584435	I-U-15	40 mm	70 mm	JCB-991-00122	84.05
DISPLACEMENT	563-05600	M580001-M584435	I-U-15	65 mm	120 mm	JCB-991-00030	151.86
EXTENSION - Inner	557-06700	M580001-M584435	I-SP-15	60 mm	90 mm	JCB-557-06700K	185.65
EXTENSION - Outer	561-17200	M581764	I-U-15	60 mm	110 mm	JCB-991-00014	83.00
	561-29500	M580001-M584435	I-U-15	60 mm	110 mm	JCB-991-00029	120.35
LIFT - 7' Mast - 1st Stage	547-41700	M580001-M584435	P-U-10	2"	2-1/2"	JCB-991-03900	66.84
LIFT - 7' Mast - 2nd Stage	547-41700	M580001-M584435	I-U-15	2-7/8"	3-1/2"	JCB-991-03800	95.76
STABILIZER	559-23100	M580810	I-U-15	60 mm	100 mm	JCB-991-00012	86.36
	559-32200	M580001-M584435	I-U-15	60 mm	100 mm	JCB-991-00028	191.99
TILT	563-23700	M580001-M584435	I-U-15	65 mm	120 mm	JCB-991-00030	151.86
TILT - Side	553-04300	M580001-M584435	I-U-14	30 mm	60 mm	JCB-991-00021	71.86
Wheel Dozers/Loaders							
APPLICATION	CYL #	SERIAL #	CODE	ROD	BORE	KIT #	List \$
MODEL 426, 426B							
LIFT		01231500-01232499; 01295000-01295999; 00531000-00531299; 00531300-00531800; 00532100-00532499; 00532500-00532999; 00533300-00533699; 01173000-01173999	I-U-10	60 mm	110 mm	JCB-991-00110	146.02
QUICK HITCH		00532500-00532999; 01173000-01173999	I-U-15	30 mm	60 mm	JCB-262-83024	39.12
		01231500-01232499; 01295000-01295999; 00531000-00531299; 00531300-00531800; 00533300-00533699	I-U-10	25 mm	50 mm	JCB-991-00097	75.27
STEERING		01231500-01232499; 01295000-01295999; 00531000-00531299; 00531300-00531800; 00532100-00532499; 00532500-00532999; 00533300-00533699; 01173000-01173999	I-U-10	50 mm	80 mm	JCB-991-00102	111.98
TILT		01231500-01232499; 01295000-01295999; 00531000-00531299; 00531300-00531800; 00532100-00532499; 00532500-00532999; 00533300-00533699; 01173000-01173999	I-U-10	60 mm	100 mm	JCB-991-00145	115.32

JCB

Replacement Kits For

JCB

Wheel Dozers/Loaders							
APPLICATION	CYL #	SERIAL #	CODE	ROD	BORE	KIT #	List \$
MODEL 426, 426B							
TILT (Z-BAR)		00531000-00531299	P-UB-10	80 mm	160 mm	JCB-998-10374	260.64
		01231500-01232499; 01295000-01295999; 00531000-00531299; 00531300-00531800; 00532100-00532499; 00532500-00532999; 00533300-00533699; 01173000-01173999	I-U-10	70 mm	130 mm	JCB-991-00120	197.24
MODEL 436, 436B							
LIFT		01305000-01305999; 01410000-01410999; 00533000-00533299; 00533300-00533699; 00533700- 00534199;00534200- 00534999	I-U-10	70 mm	130 mm	JCB-991-00120	197.24
QUICK HITCH		01305000-01305999; 01410000-01410999; 00533000-00533299; 00534200-00534999; 00533300-00533699	I-U-10	25 mm	50 mm	JCB-991-00097	75.27
STEERING		01305000-01305999; 01410000-01410999; 00533000-00533299; 00533300-00533699; 00533700-00534199; 00534200-00534999	I-U-10	50 mm	80 mm	JCB-991-00102	111.98
TILT	from: M533210	01305000-01305999; 01410000-01410999; 00533000-00533299; 00534200-00534999; 00533700-00534199	I-U-10	65 mm	110 mm	JCB-991-00111	164.12
	to: M633209	00533000-00533299; 00533300-00533699	I-U-10	60 mm	110 mm	JCB-991-00110	146.02
TILT (Z-BAR)		00533000-00533299; 00533300-00533699; 00533700-00534199	I-U-14	80 mm	160 mm	JCB-991-00149	569.88
	from: M1305060	01305000-01305999; 01410000-01410999	P-UB-14	90 mm	160 mm	JCB-991-10156	363.29
	to: M1305059	01305000-01305999; 00534200-00534999	P-UB-10	80 mm	160 mm	JCB-998-10374	260.64
MODEL 456, 456B							
LIFT		00539000-00539228	I-U-14	80 mm	160 mm	JCB-991-00149	569.88
		00539229-00539399	P-UB-10	80 mm	160 mm	JCB-998-10374	260.64
		00539400-00539807	P-UB-10	80 mm	160 mm	JCB-998-10374	260.64
	from: M1169139	1169001-1169999	P-UB-14	80 mm	160 mm	JCB-991-10154	363.66
	from: M1239002	01239000-01239499	P-UB-14	80 mm	160 mm	JCB-991-10154	363.66
	from: M539185	00539000-00539228	P-UB-10	80 mm	160 mm	JCB-998-10374	260.64
	to: M1169138	1169001-1169999	P-UB-10	80 mm	160 mm	JCB-998-10374	260.64
	to: M1239001	01239000-01239499	P-UB-10	80 mm	160 mm	JCB-998-10374	260.64
STEERING		00539229-00539399; 00539400-00539807; 00539000-00539228; 01239000-01239499	I-U-10	50 mm	90 mm	JCB-991-00103	86.99
TILT		00539229-00539399	P-UB-10	90 mm	180 mm	JCB-998-10375	338.19
		00539400-00539807	P-UB-10	90 mm	180 mm	JCB-998-10375	338.19
	from: M1169140	1169001-1169999	I-UB-14	90 mm	180 mm	JCB-991-10158	259.06
	from: M1239008	01239000-01239499	I-UB-14	90 mm	180 mm	JCB-991-10158	259.06
	from: M539185	00539000-00539228	P-UB-10	90 mm	180 mm	JCB-998-10375	338.19
	to: M1169139	1169001-1169999	P-UB-10	90 mm	180 mm	JCB-998-10375	338.19
	to: M1239007	01239000-01239499	P-UB-10	90 mm	180 mm	JCB-998-10375	338.19
Wheel Dozers/Loaders							
APPLICATION	CYL #	SERIAL #	CODE	ROD	BORE	KIT #	List \$
MODEL 456, 456B							
TILT (Z-BAR)	from: M1169140	1169001-1169999	I-UB-14	90 mm	180 mm	JCB-991-10158	259.06
	from: M1239008	01239000-01239499	I-UB-14	90 mm	180 mm	JCB-991-10158	259.06

REPLACEMENT KITS FOR JCB

Kit Number	Rod X Bore Size	List Price
JCB-20-602005	PUMP KIT	\$84.18
JCB-20-950206	O-RING KIT	30.84
JCB-231-02906	30 X 50 mm	59.49
JCB-231-02909	30 X 50 mm	174.84
JCB-231-22506	35 X 70 mm	148.78
JCB-231-22509	35 X 70 mm	254.79
JCB-231-32807	35 X 70 mm	137.85
JCB-231-34316	30 X 50 mm	233.54
JCB-231-35413	30 X 50 mm	84.48
JCB-231-77408	30 X 55 mm	215.38
JCB-232-02906	40 X 70 mm	242.37
JCB-232-03407	50 X 75 mm	158.85
JCB-232-08512	40 X 80 mm	311.12
JCB-232-22510	45 X 90 mm	292.66
JCB-232-51155	45 X 90 mm	167.46
JCB-232-51254	45 X 75 mm	199.98
JCB-232-56152	40 X 80 mm	212.37
JCB-232-56352	40 X 70 mm	58.89
JCB-232-56507	50 X 75 mm	233.68
JCB-232-56754	45 X 90 mm	217.99
JCB-232-56956	50 X 80 mm	135.24
JCB-232-95956	40 X 70 mm	86.68
JCB-236-11516	35 X 70 mm	118.21
JCB-25-221906	O-RING KIT	43.92
JCB-262-83024	30 X 60 mm	39.12
JCB-331-38788	95 X 130 mm	318.93
JCB-331-39036	85 X 125 mm	181.57
JCB-331-39041	85 X 115 mm	204.05
JCB-331-39047	95 X 130 mm	302.07
JCB-331-39673	35 X 60 mm	45.17
JCB-331-41835	85 mm Rotary	405.31
JCB-332-C7368	95 X 130 mm	274.86
JCB-332-D4850	40 X 70 mm	76.88
JCB-332-E8224	60 X 90 mm	92.48
JCB-332-G9281	85 X 115 mm	194.56
JCB-332-G9282	85 X 125 mm	263.41
JCB-448-17201	42 X 75 mm	54.70
JCB-545-45307	1-1/2 X 2-3/8	70.56
JCB-547-42102	7/8 X 2	32.06
JCB-548-12801	1/2 X 25 mm	12.64
JCB-556-08300K	50 X 70 mm	136.75
JCB-556-24900K	50 X 70 mm	198.21
JCB-557-06700K	60 X 90 mm	185.65
JCB-561-10200K	60 X 110 mm	183.78
JCB-690-00693	75 X 100 mm	489.97
JCB-690-00754	100 X 135 mm	305.98
JCB-690-00801	80 X 120 mm	230.12
JCB-690-00972	75 X 140 mm	393.34

Kit Number	Rod X Bore Size	List Price
JCB-903-10301	1-3/8 X 2	\$67.38
JCB-903-20265	85 X 120 mm	521.71
JCB-903-20405	45 X 90 mm	185.67
JCB-903-20418	40 X 80 mm	108.17
JCB-903-20434	40 X 65 mm	115.17
JCB-903-20839	70 X 95 mm	460.85
JCB-903-20856	80 X 115 mm	594.65
JCB-903-20862	75 X 100 mm	779.81
JCB-903-20903	80 X 115 mm	448.78
JCB-903-20910	75 X 105 mm	558.01
JCB-903-20916	85 X 120 mm	535.73
JCB-903-21037	90 X 130 mm	268.36
JCB-903-21049	95 X 130 mm	186.33
JCB-903-21165	100 X 140 mm	336.45
JCB-904-20156	O-RING KIT	42.03
JCB-980-35603	1-1/2 X 3	98.64
JCB-983-00154	50 X 100 mm	124.20
JCB-983-11155	40 X 65 mm	81.95
JCB-991-00001	1-1/2 X 2-3/4	103.72
JCB-991-00002	2 X 3-5/8	142.13
JCB-991-00003	2 X 4	95.60
JCB-991-00004	2 X 4-1/2	136.23
JCB-991-00005	2-1/2 X 4	177.27
JCB-991-00007	63 X 5 mm	343.82
JCB-991-00008	2-1/2 X 4-1/2	183.88
JCB-991-00009	1 X 2	66.12
JCB-991-00010	5 PISTON KIT	98.20
JCB-991-00011	4-1/2 PISTON KIT	149.06
JCB-991-00012	60 X 100 mm	86.36
JCB-991-00013	50 X 90 mm	78.49
JCB-991-00014	60 X 110 mm	83.00
JCB-991-00015	40 X 70 mm	51.33
JCB-991-00016	50 X 80 mm	92.27
JCB-991-00017	30 X 60 mm	89.96
JCB-991-00018	110 mm PISTON KIT	47.24
JCB-991-00020	30X 60 mm	44.32
JCB-991-00021	30 X 60 mm	71.86
JCB-991-00026	50 x 80 mm	178.53
JCB-991-00027	50 x 90 mm	177.13
JCB-991-00028	60 X 100 mm	191.99
JCB-991-00029	60 X 110 mm	120.35
JCB-991-00030	65 X 120 mm	151.86
JCB-991-00036	30 X 70 mm	76.81
JCB-991-00054	25 X 50 mm	92.08
JCB-991-00055	60 X 100 mm	191.99
JCB-991-00058	60 X 110 mm	120.35
JCB-991-00061	50 X 80 mm	178.53
JCB-991-00069	30 X 70 mm	54.21

REPLACEMENT KITS FOR JCB

JCB

Kit Number	Rod X Bore Size	List Price
JCB-991-00071	25 X 50 mm	\$66.62
JCB-991-00095	40 X 70 mm	87.89
JCB-991-00095P	40 X 70 mm	87.89
JCB-991-00096	50 X 90 mm	177.13
JCB-991-00097	25 X 50 mm	75.27
JCB-991-00097P	25 X 50 mm	75.27
JCB-991-00098	30 X 60 mm	83.05
JCB-991-00098P	30 X 60 mm	83.05
JCB-991-00099	30 X 70 mm	87.97
JCB-991-00099P	30 X 70 mm	87.97
JCB-991-00100	40 X 70 mm	87.89
JCB-991-00102	50 X 80 mm	111.98
JCB-991-00103	50 X 90 mm	86.99
JCB-991-00103P	50 X 90 mm	86.99
JCB-991-00105	50 X 70 mm	132.90
JCB-991-00105P	50 X 70 mm	132.90
JCB-991-00109	50 X 110 mm	121.25
JCB-991-00109P	50 X 110 mm	121.25
JCB-991-00110	60 X 110 mm	146.02
JCB-991-00110P	60 X 110 mm	146.02
JCB-991-00111	65 X 110 mm	164.12
JCB-991-00111P	65 X 110 mm	164.12
JCB-991-00112	70 X 110 mm	115.93
JCB-991-00112P	70 X 110 mm	115.93
JCB-991-00115	65 X 120 mm	73.21
JCB-991-00115P	65 X 120 mm	73.21
JCB-991-00116	70 X 120 mm	54.54
JCB-991-00120	70 X 130 mm	197.24
JCB-991-00120P	70 X 130 mm	197.24
JCB-991-00121	75 X 130 mm	113.59
JCB-991-00122	40 X 70 mm	84.05
JCB-991-00123	50 X 80 mm	119.67
JCB-991-00126	50 X 110 mm	94.31
JCB-991-00127	50 X 90 mm	177.13
JCB-991-00130	60 X 100 mm	191.99
JCB-991-00131	60 X 110 mm	120.35
JCB-991-00135	65 X 120 mm	151.86
JCB-991-00144	75 X 140 mm	262.44
JCB-991-00144P	75 X 140 mm	262.44
JCB-991-00145	60 X 100 mm	115.32
JCB-991-00145P	60 X 100 mm	115.32
JCB-991-00146	65 X 110 mm	136.38
JCB-991-00146P	65 X 110 mm	136.38
JCB-991-00147	60 X 90 mm	148.89
JCB-991-00147P	60 X 90 mm	148.89
JCB-991-00148	60 X 110 mm	163.47
JCB-991-00148P	60 X 110 mm	163.47
JCB-991-00149	80 X 160 mm	569.88

Kit Number	Rod X Bore Size	List Price
JCB-991-00152	60 X 100 mm	\$110.58
JCB-991-00152P	60 X 100 mm	110.58
JCB-991-00156	45 X 75 mm	141.26
JCB-991-00160	75 X 120 mm	157.81
JCB-991-00161	75 X 110 mm	144.91
JCB-991-00163	50 X 90 mm	92.97
JCB-991-00163P	50 X 90 mm	92.97
JCB-991-00164	45 X 90 mm	262.85
JCB-991-00165	45 X 90 mm	229.85
JCB-991-00166	45 X 75 mm	304.60
JCB-991-00167	40 X 80 mm	105.92
JCB-991-00170	35 X 60 mm	72.56
JCB-991-00170P	35 X 60 mm	72.56
JCB-991-00171	25 X 50 mm	100.05
JCB-991-03800	2-7/8 X 3-1/2	95.76
JCB-991-03900	2 X 2-1/2	66.84
JCB-991-10001	45 X 80 mm	90.21
JCB-991-10041	35 X 70 mm	60.00
JCB-991-10041P	35 X 70 mm	60.00
JCB-991-10081	40 X 60 mm	61.19
JCB-991-10102	30 X 50 mm	173.47
JCB-991-10111	40 X 80 mm	255.35
JCB-991-10112	40 X 70 mm	259.01
JCB-991-10113	50 X 75 mm	201.85
JCB-991-10121	60 X 110 mm	102.54
JCB-991-10122	50 X 90 mm	139.05
JCB-991-10127	100 X 140 mm	338.53
JCB-991-10129	70 X 95 mm	179.23
JCB-991-10138	60 X 100 mm	112.79
JCB-991-10139	80 X 115 mm	710.71
JCB-991-10141	30 X 50 mm	50.39
JCB-991-10141P	30 X 50 mm	50.39
JCB-991-10142	60 X 100 mm	95.90
JCB-991-10144	60 X 110 mm	123.66
JCB-991-10151	40 X 70 mm	43.13
JCB-991-10154	80 X 160 mm	363.66
JCB-991-10156	90 X 160 mm	363.29
JCB-991-10158	90 X 180 mm	259.06
JCB-991-10170	60,105 X 90,125 mm	184.82
JCB-991-20009	50 X 90 mm	120.52
JCB-991-20019	25 X 50 mm	51.77
JCB-991-20021	40 X 70 mm	76.88
JCB-991-20022	50 X 80 mm	58.04
JCB-991-20023	60 X 100 mm	93.65
JCB-991-20024	30 X 60 mm	62.17
JCB-991-20025	70 mm X 130 mm	98.51
JCB-991-20026	80 mm X 160 mm	193.48
JCB-991-20027	70 X 120 mm	54.54

REPLACEMENT KITS FOR JCB

Kit Number	Rod X Bore Size	List Price
JCB-991-20029	75 mm X 140 mm	\$182.99
JCB-991-20030	60 X 110 mm	90.87
JCB-991-20038	65 X 120 mm	129.46
JCB-991-20039	60 X 100 mm	99.18
JCB-993-34509	1 X 2-1/2	34.57
JCB-993-46200K	25 X 50 mm	83.05
JCB-993-99610	O-RING KIT	6.18
JCB-993-99673	50 X 70 mm	172.20
JCB-997-00908	1-1/2 X 2-1/2	210.79
JCB-998-10020	85 X 125 mm	244.68
JCB-998-10021	90 X 130 mm	241.19
JCB-998-10022	105 X 150 mm	445.40
JCB-998-10023	90 X 135 mm	285.16
JCB-998-10040	80 X 115 mm	564.56
JCB-998-10200	O-RING KIT	62.99
JCB-998-10220	O-RING KIT	77.73
JCB-998-10242	O-RING KIT	52.63
JCB-998-10374	80 X 160 mm	260.64
JCB-998-10375	90 X 190 mm	338.19
JCB-LQU0036	85 X 125 mm	765.32
JCB-LQU0038	95 X 140 mm	482.61

Kit Number	Rod X Bore Size	List Price
JCB-LQU0045	95 X 140 mm	\$523.69
JCB-LQU0046	80 X 120 mm	706.77
JCB-LQU0049	110 X 160 mm	257.17
JCB-LQU0080	70 X 110 mm	690.40
JCB-LQU0081	80 X 120 mm	610.74
JCB-LQU0082	65 X 105 mm	324.03
JCB-LQU0089	85 X 125 mm	765.32
JCB-LQU0091	95 X 140 mm	482.61
JCB-LQU0092	80 X 120 mm	706.77
JCB-LQU0096	55 X 85 mm	163.14
JCB-LQU0114	75 X 100 mm	560.48
JCB-LQU0125	80 X 115 mm	519.24
JCB-LQU0126	70 X 95 mm	429.83
JCB-LQU-0138	100 X 135 mm	256.55
JCB-LQU-0142	80 X 120 mm	178.54
JCB-LQU-0164	80 X 115 mm	366.37
JCB-LQU0165	90 X 125 mm	414.78
JCB-LQU0166	75 X 105 mm	372.89

REPLACEMENT PARTS FOR JCB

NOTE: JCB part numbers are used as a reference only. We do not imply that these kits are original REPLACEMENT PARTS.

O-RINGS

Part Number	Min. Pkg Qty	List Price
JCB-LBQ0953	5	\$13.46
JCB-LBQ1453	1	11.13

Replacement Kits For



Telehandlers							
APPLICATION	CYL #	Misc-Parts, Instructions, etc.	CODE	ROD	BORE	KIT #	List \$
MODEL G9-43A							
BOOM LIFT							
016003316-0160070675,Including 0160032951,Excluding 0160040468							
91513274			P-UB-14	3-3/4	7	JLG-70022061	345.06
0160040675-,Including 0160040468,0160078671-,Excluding 0160048773							
1001108380			P-UB-14	3-3/4	7	JLG-70022061	345.06
0193001-0193007,0160000008-0160007141,0160007176-0160007822,0160008020-0160033297,Excluding 0160032951							
91513039			P-UB-14	3-3/4	7	JLG-91514020	369.91
COMPENSATING							
0160007176-0160007822,0160007869-0160007970,0160008020-0160033297							
91513226			P-UB-14	2-1/2	5-1/2	JLG-91514285	308.85
0160033316-,0160078671-,Excluding 0160048773							
91513272			P-UB-14	2-1/2	5-1/2	JLG-70024012	283.45
0193001-0193007,0160000008-0160007141							
91513040			P-UB-14	2-1/2	4-3/4	JLG-91514050	330.62
CROWD							
0160033222-							
91513276			P-UB-14	3	4	JLG-70022858	148.75
Before 0160033222							
91513002			P-UB-14	3	4	JLG-91514036	224.62
EXTEND/RETRACT							
0160078671-,Excluding 0160048773							
91513276			P-UB-14	3	4	JLG-70022858	148.75
FRAME LEVEL							
0160078671-,Excluding 0160048773							
91513273			P-UB-14	2	4	JLG-70022864	191.07
GRAPPLE BUCKET							
0193001-0193007,0160000008-,0160078671-,Excluding 0160048773							
70021393			I-U-10	1-1/4	2-1/2	JLG-70021452	15.90
OUTRIGGER							
0160039840-							
1001001211			I-U-10	2-1/2	5	JLG-70023899	120.78
Before 0160039840							
1001001211			P-UB-10	2-1/2	5	JLG-70024217	88.22
SIDE SHIFT CARRIAGE							
0160078671-,Excluding 0160048773							
70224539			I-U-13	25 mm	63 mm	JLG-70024549	98.59
SIDE TILT CARRIAGE							
0193001-0193007,0160000008-,0160078671-,Excluding 0160048773							
1001090134			I-U-10	1-3/4	3-1/2	JLG-70022041	37.87
SWAY							
0160033222-							
91513273			P-UB-14	2	4	JLG-70022864	191.07
0193001-0193007,0160000008-0160033206							
91513038			P-UB-14	2	4	JLG-91514063	256.66
SWING CARRIAGE							
0193001-0193007,0160000008-,0160078671-,Excluding 0160048773							
1001103182			I-U-10	1-1/2	3-1/2	JLG-2915023	54.99
TILT							
0160007142-0160033297							
91513225			P-UB-14	2-1/2	5-1/2	JLG-91514281	277.21
0160033316-							
91513275			P-UB-14	2-1/2	5-1/2	JLG-70024013	259.34
0160078671-,Excluding 0160048773							
91513275			P-UB-14	2-1/2	5-1/2	JLG-91514281	277.21

JLG

Replacement Kits For



Telehandlers							
APPLICATION	CYL #	Misc-Parts, Instructions, etc.	CODE	ROD	BORE	KIT #	List \$
MODEL G9-43A							
TILT							
0193001-0193007,0160000008-0160007414							
	91513027		P-UB-14	2-1/2	4-3/4	JLG-91514050	330.62
MODEL G10-43A							
BOOM LIFT							
0160007176-0160007822,0160007869-0160007970,0160008020-0160033297							
	91513039		P-UB-14	3-3/4	7	JLG-91514020	369.91
0160008020-0160033297,Excluding 0160032951							
	91513039		P-UB-14	3-3/4	7	JLG-91514020	369.91
0160038081-0160040208							
	91513274		P-UB-14	3-3/4	7	JLG-70022061	345.06
0160041167-							
	1001108380		P-UB-14	3-3/4	7	JLG-70022061	345.06
0160078671-,Excluding0160048773							
	1001108380		P-UB-14	3-3/4	7	JLG-70022061	345.06
0193001-0193007,0160000008-0160007141							
	91513039		P-UB-14	3-3/4	7	JLG-91514020	369.91
COMPENSATING							
0160007176-0160007822,0160007869-0160007970,0160008020-0160033297							
	91513226		P-UB-14	2-1/2	5-1/2	JLG-91514285	308.85
0160007869-0160007970							
	91513226		P-UB-14	2-1/2	5-1/2	JLG-91514285	308.85
0160008020-0160033297							
	91513226		P-UB-14	2-1/2	5-1/2	JLG-91514285	308.85
0160033316-							
	91513272		P-UB-14	2-1/2	5-1/2	JLG-70024012	283.45
0160078671-,Excluding0160048773							
	91513272		P-UB-14	2-1/2	5-1/2	JLG-70024012	283.45
0193001-0193007,0160000008-0160007141							
	91513040		P-UB-14	2-1/2	4-3/4	JLG-91514050	330.62
CROWD							
0160033222-							
	91513276		P-UB-14	3	4	JLG-70022858	148.75
Before 0160033222							
	91513002		P-UB-14	3	4	JLG-91514036	224.62
EXTEND/RETRACT							
0160078671-,Excluding0160048773							
	91513276		P-UB-14	3	4	JLG-70022858	148.75
FRAME LEVEL							
0160078671-,Excluding0160048773							
	91513273		P-UB-14	2	4	JLG-70022864	191.07
GRAPPLE BUCKET							
0160078671-,Excluding0160048773							
	70021393		I-U-10	1-1/4	2-1/2	JLG-70021452	15.90
0193001-0193007,0160000008-							
	70021393		I-U-10	1-1/4	2-1/2	JLG-70021452	15.90
OUTRIGGER							
0160039840-							
	1001001211		I-U-10	2-1/2	5	JLG-70023899	120.78
Before 0160039840							
	1001001211		P-UB-10	2-1/2	5	JLG-70024217	88.22
SIDE SHIFT CARRIAGE							
0160078671-,Excluding0160048773							
	70224539		I-U-13	25 mm	63 mm	JLG-70024549	98.59

JLG

Replacement Kits For



Telehandlers							
APPLICATION	CYL #	Misc-Parts, Instructions, etc.	CODE	ROD	BORE	KIT #	List \$
MODEL G10-43A							
SIDE TILT CARRIAGE							
0160078671-,Excluding0160048773							
1001090134			I-U-10	1-3/4	3-1/2	JLG-70022041	37.87
0193001-0193007,0160000008-							
1001090134			I-U-10	1-3/4	3-1/2	JLG-70022041	37.87
SWAY							
0160033222-							
91513273			P-UB-14	2	4	JLG-70022864	191.07
0193001-0193007,0160000008-0160033206							
91513038			P-UB-14	2	4	JLG-91514063	256.66
SWING CARRIAGE							
0160078671-,Excluding0160048773							
1001103182			I-U-10	1-1/2	3-1/2	JLG-2915023	54.99
0193001-0193007,0160000008-							
1001103182			I-U-10	1-1/2	3-1/2	JLG-2915023	54.99
TILT							
0160007142-0160033297							
91513225			P-UB-14	2-1/2	5-1/2	JLG-91514281	277.21
0160033316-							
91513275			P-UB-14	2-1/2	5-1/2	JLG-70024013	259.34
0160078671-,Excluding0160048773							
91513275			P-UB-14	2-1/2	5-1/2	JLG-91514281	277.21
0193001-0193007,0160000008-0160007414							
91513027			P-UB-14	2-1/2	4-3/4	JLG-91514050	330.62
MODEL G10-55A (AccuPlace)							
BOOM LIFT							
1684532			P-UB-14	3-1/2	5-1/2	JLG-70021632	459.40
EXTEND/RETRACT							
1684500			P-UB-14	3	4-3/4	JLG-70021598	324.50
FRAME LEVEL							
1001101281			P-UB-14	2	4	JLG-70021639	237.66
GRAPPLE BUCKET							
70021393			I-U-10	1-1/4	2-1/2	JLG-70021452	15.90
OUTRIGGER							
1001001211			P-UB-10	2-1/2	5	JLG-91144004	82.47
SIDE TILT CARRIAGE							
1001090134			I-U-10	1-3/4	3-1/2	JLG-70022041	37.87
STABILIZER							
1001101289			P-UB-14	2	4	JLG-70021639	237.66
SWING CARRIAGE							
1001103182			I-U-10	1-1/2	3-1/2	JLG-8035830	66.54
7029995			I,P-U-10	1-1/2	3	JLG-70021453	55.13
TILT							
1001099946			P-U-14	2-1/2	5-3/4	JLG-70022093	296.08
MODEL G10-55A							
BOOM LIFT							
0160033659-0160035822,Including 0160033452							
91573028			P-UB-14	3-1/2	5-1/2	JLG-70021632	459.40
0160041374-							
1001125154			P-UB-14	3-1/2	5-1/2	JLG-1001125160	309.14
0160045636-,Including 0160045082, 0160045094, 0160045209, 0160045295, 0160045296, 0160045449							
1001125154			P-UB-14	3-1/2	5-1/2	JLG-1001125160	309.14
Before 0160033659,Excluding 0160033452							
91573015			P-UB-14	3-1/2	5-1/2	JLG-7026961	459.56

JLG

Replacement Kits For



Telehandlers							
APPLICATION	CYL #	Misc-Parts, Instructions, etc.	CODE	ROD	BORE	KIT #	List \$
MODEL G10-55A							
BOOM LIFT							
Before 0160045636, Excluding 0160045082, 0160045094, 0160045209, 0160045295, 0160045296, 0160045449							
1001101285			P-UB-14	3-1/2	5-1/2	JLG-70021632	459.40
1001116447			P-UB-14	90 mm	150 mm	JLG-70023397	173.15
COMPENSATING							
0160033659-0160037689, Including 0160033452							
91573031			P-UB-14	2-1/2	5-3/4	JLG-70021574	516.58
0160037689-0160041564							
1001101288			P-UB-14	2-1/2	5-3/4	JLG-70021574	516.58
0160041565-							
1001116442			P-U-14	2-1/2	5-3/4	JLG-70023986	292.02
0160045636-, Including 0160045082, 0160045094, 0160045209, 0160045295, 0160045296, 0160045449							
1001116442			P-U-14	2-1/2	5-3/4	JLG-70023986	292.02
1001152269			P-U-14	2-1/2	5-3/4	JLG-70023986	292.02
Before 0160033659, Including 0160033452							
91573014			P-UB-14	2-1/2	5-3/4	JLG-7026944	390.97
CROWD							
0160033661-0160035822							
91573029			P-UB-14	3	4-3/4	JLG-70021598	324.50
0160041982-							
1001122483			P-UB-14	3	4-3/4	JLG-1001122496	220.94
Before 0160033661							
91573008			P-UB-14	3	4-3/4	JLG-7026467	381.51
Before 0160045636, Excluding 0160045082, 0160045094, 0160045209, 0160045295, 0160045296, 0160045449							
1001101286			P-UB-14	3	4-3/4	JLG-70021598	324.50
1001116448			P-UB-14	75 mm	120 mm	JLG-70023387	182.06
EXTEND/RETRACT							
0160045636-, Including 0160045082, 0160045094, 0160045209, 0160045295, 0160045296, 0160045449							
1001122483			P-UB-14	3	4-3/4	JLG-1001122496	220.94
FRAME LEVEL							
0160045636-, Including 0160045082, 0160045094, 0160045209, 0160045295, 0160045296, 0160045449							
1001116440			P-UB-14	2	4	JLG-70023943	250.47
1001152273			P-UB-14	2	4	JLG-70023943	250.47
GRAPPLE BUCKET							
0160045636-, Including 0160045082, 0160045094, 0160045209, 0160045295, 0160045296, 0160045449							
70021393			I-U-10	1-1/4	2-1/2	JLG-70021452	15.90
Before 0160045636, Excluding 0160045082, 0160045094, 0160045209, 0160045295, 0160045296, 0160045449							
70021393			I-U-10	1-1/4	2-1/2	JLG-70021452	15.90
OUTRIGGER							
0160017504-0160039813, Excluding 0160017537							
1001001211	Perkins Engine		P-UB-1	2-1/2		JLG-7029980	61.02
1001001211	Perkins Engine		N-N-10		5	JLG-7029959	21.89
91165040	Deere & Cummins Engine		P-UB-1	2-1/2		JLG-7029980	61.02
91165040	Deere & Cummins Engine		N-N-10		5	JLG-7029959	21.89
0160039838-							
91165040			I-U-10	2-1/2	5	JLG-70023899	120.78
0160045636-, Including 0160045082, 0160045094, 0160045209, 0160045295, 0160045296, 0160045449							
1001116439			I-U-10	2-1/2	5	JLG-70023899	120.78
Before 0160017504, Including 0160017537							
1001001211	Perkins Engine		P-UB-10	2-1/2	5	JLG-91144004	82.47
91165040	Deere & Cummins Engine		P-UB-10	2-1/2	5	JLG-91144004	82.47
SIDE SHIFT CARRIAGE							
0160045636-, Including 0160045082, 0160045094, 0160045209, 0160045295, 0160045296, 0160045449							
70024539			I-U-13	25 mm	63 mm	JLG-70024549	98.59

JLG

Replacement Kits For



Telehandlers							
APPLICATION	CYL #	Misc-Parts, Instructions, etc.	CODE	ROD	BORE	KIT #	List \$
MODEL G10-55A							
SIDE SHIFT CARRIAGE							
Before 0160045636, Excluding 0160045082, 0160045094, 0160045209, 0160045295, 0160045296, 0160045449							
	70024539		I-U-13	25 mm	63 mm	JLG-70024549	98.59
SIDE TILT CARRIAGE							
0160045636-, Including 0160045082, 0160045094, 0160045209, 0160045295, 0160045296, 0160045449							
	1001090134		I-U-10	1-3/4	3-1/2	JLG-70022041	37.87
Before 0160045636, Excluding 0160045082, 0160045094, 0160045209, 0160045295, 0160045296, 0160045449							
	1001090134		I-U-10	1-3/4	3-1/2	JLG-70022041	37.87
STABILIZER							
016003361-0160039837							
	91563272		P-UB-14	2	4	JLG-70021639	237.66
0160039838-							
	1001116443		P-UB-14	2	4	JLG-70023943	250.47
0160045636-, Including 0160045082, 0160045094, 0160045209, 0160045295, 0160045296, 0160045449							
	1001116443		P-UB-14	2	4	JLG-70023943	250.47
	1001152274		P-UB-14	2	4	JLG-70023943	250.47
Before 0160033661							
	91563006		P-UB-14	2	4	JLG-7026934	263.36
SWAY							
0160033661-0160037690							
	91563268		P-UB-14	2	4	JLG-70021639	237.66
0160037690-							
	1001101281		P-UB-14	2	4	JLG-70021639	237.66
Before 0160033661							
	91563005		P-UB-14	2	4	JLG-7026934	263.36
SWING CARRIAGE							
0160045636-, Including 0160045082, 0160045094, 0160045209, 0160045295, 0160045296, 0160045449							
	1001103182		I,P-U-10	1-1/2	3	JLG-70021453	55.13
Before 0160045636, Excluding 0160045082, 0160045094, 0160045209, 0160045295, 0160045296, 0160045449							
	1001103182		I-U-10	1-1/2	3-1/2	JLG-2915023	54.99
	7029995		I,P-U-10	1-1/2	3	JLG-70021453	55.13
TILT							
01600035822-0160037689							
	1001101287		P-UB-14	2-1/2	5-3/4	JLG-70021574	516.58
0160033661-0160035822							
	91573030		P-UB-14	2-1/2	5-3/4	JLG-70021574	516.58
0160037689-							
	1684539		P-U-14	2-1/2	5-3/4	JLG-70022093	296.08
0160045636-, Including 0160045082, 0160045094, 0160045209, 0160045295, 0160045296, 0160045449							
	1001152271		P-U-14	2-1/2	5-3/4	JLG-70022093	296.08
	1684539		P-U-14	2-1/2	5-3/4	JLG-70022093	296.08
Before 0160033661							
	91573013		P-UB-14	2-1/2	5-3/4	JLG-7026944	390.97
MODEL G12-55A							
BOOM							
	1684532		P-UB-14	3-1/2	5-1/2	JLG-70021632	459.40
-0160033659, Excluding 0160033452							
	91563214		P-UB-10	3-1/2	6	JLG-7026969	289.49
0160033659-0160035789							
	91563270		P-UB-10	3-1/2	6	JLG-70021641	290.61
0160041581-							
	1001121417		P-UB-10	3-1/2	6	JLG-1001121434-NG	260.41

JLG

JLG

Replacement Kits For

Telehandlers							
APPLICATION	CYL #	Misc-Parts, Instructions, etc.	CODE	ROD	BORE	KIT #	List \$
MODEL G12-55A							
BOOM							
-0160045636, Excluding 0160045082, 0160045094, 0160045209, 0160045295, 0160045296, 0160045449							
1001101283			P-UB-10	3-1/2	6	JLG-70021641	290.61
1001116446			P-UB-14	90 mm	150 mm	JLG-70023397	173.15
0160045636-, Including 0160045082, 0160045094, 0160045209, 0160045295, 0160045296, 0160045449							
1001121417			P-UB-10	3-1/2	6	JLG-1001121434-NG	260.41
1001152295			P-UB-14	3-1/2	6	JLG-1001152299	256.64
COMPENSATING							
-0160033659, Excluding 0160033452							
91563138			P-UB-10	2-1/2	6	JLG-7026475	248.16
0160033659-0160037689, Including 0160033452							
91563269			P-UB-10	2-1/2	6	JLG-70021548	247.36
0160037689-0160041564							
1001101282			P-UB-10	2-1/2	6	JLG-70021548	247.36
0160041565-							
1001116441			P-U-10	2-1/2	6	JLG-70023991	279.60
0160045636-, Including 0160045082, 0160045094, 0160045209, 0160045295, 0160045296, 0160045449							
1001116441			P-U-10	2-1/2	6	JLG-70023991	279.60
1001152296			P-U-10	2-1/2	6	JLG-70023991	279.60
CROWD							
-0160033659, Excluding 0160033452							
91573008			P-UB-14	3	4-3/4	JLG-7026467	381.51
0160033659-0160035879, Including 0160033452							
91573029			P-UB-14	3	4-3/4	JLG-70021598	324.50
0160041982-							
1001122483			P-UB-14	3	4-3/4	JLG-1001122496	220.94
-0160045636, Excluding 0160045082, 0160045094, 0160045209, 0160045295, 0160045296, 0160045449							
1001101286			P-UB-14	3	4-3/4	JLG-70021598	324.50
1001116448			P-UB-14	75 mm	120 mm	JLG-70023387	182.06
EXTEND/RETRACT							
1684500			P-UB-14	3	4-3/4	JLG-70021598	324.50
0160045636-, Including 0160045082, 0160045094, 0160045209, 0160045295, 0160045296, 0160045449							
1001122483			P-UB-14	3	4-3/4	JLG-1001122496	220.94
1001152272			P-UB-14	3	4-3/4	JLG-1001152279	267.10
FRAME LEVEL							
1001101281			P-UB-14	2	4	JLG-70021639	237.66
0160045636-, Including 0160045082, 0160045094, 0160045209, 0160045295, 0160045296, 0160045449							
1001116440			P-UB-14	2	4	JLG-70023943	250.47
1001152273			P-UB-14	2	4	JLG-70023943	250.47
GRAPPLE BUCKET							
70021393			I-U-10	1-1/4	2-1/2	JLG-70021452	15.90
-0160045636, Excluding 0160045082, 0160045094, 0160045209, 0160045295, 0160045296, 0160045449							
70021393			I-U-10	1-1/4	2-1/2	JLG-70021452	15.90
0160045636-, Including 0160045082, 0160045094, 0160045209, 0160045295, 0160045296, 0160045449							
70021393			I-U-10	1-1/4	2-1/2	JLG-70021452	15.90
OUTRIGGER							
1001001211			P-UB-10	2-1/2	5	JLG-91144004	82.47
-0160017504, Including 0160017537							
1001001211	Perkins Engine		P-UB-10	2-1/2	5	JLG-91144004	82.47
91165040	Deere & Cummins Engine		P-UB-10	2-1/2	5	JLG-91144004	82.47

JLG

Replacement Kits For



Telehandlers							
APPLICATION	CYL #	Misc-Parts, Instructions, etc.	CODE	ROD	BORE	KIT #	List \$
MODEL G12-55A							
OUTRIGGER							
0160017504-0160039813, Excluding 0160017537							
1001001211	Perkins Engine		P-UB-1	2-1/2		JLG-7029980	61.02
1001001211	Perkins Engine		N-N-10		5	JLG-7029959	21.89
91165040	Deere & Cummins Engine		P-UB-1	2-1/2		JLG-7029980	61.02
91165040	Deere & Cummins Engine		N-N-10		5	JLG-7029959	21.89
0160039838-							
91165040			I-U-10	2-1/2	5	JLG-70023899	120.78
0160045636-,Including 0160045082, 0160045094, 0160045209, 0160045295, 0160045296, 0160045449							
1001116439			I-U-10	2-1/2	5	JLG-70023899	120.78
SIDE SHIFT CARRIAGE							
-0160045636,Excluding 0160045082, 0160045094, 0160045209, 0160045295, 0160045296, 0160045449							
70024539			I-U-13	25 mm	63 mm	JLG-70024549	98.59
0160045636-,Including 0160045082, 0160045094, 0160045209, 0160045295, 0160045296, 0160045449							
70024539			I-U-13	25 mm	63 mm	JLG-70024549	98.59
SIDE TILT CARRIAGE							
1001090134			I-U-10	1-3/4	3-1/2	JLG-70022041	37.87
-0160045636,Excluding 0160045082, 0160045094, 0160045209, 0160045295, 0160045296, 0160045449							
1001090134			I-U-10	1-3/4	3-1/2	JLG-70022041	37.87
0160045636-,Including 0160045082, 0160045094, 0160045209, 0160045295, 0160045296, 0160045449							
1001090134			I-U-10	1-3/4	3-1/2	JLG-70022041	37.87
STABILIZER							
1001101289			P-UB-14	2	4	JLG-70021639	237.66
-0160033659,Excluding 0160033452							
91563006			P-UB-14	2	4	JLG-7026934	263.36
0160033659-0160039838							
91563272			P-UB-14	2	4	JLG-70021639	237.66
0160039839-							
1001116443			P-UB-14	2	4	JLG-70023943	250.47
0160045636-,Including 0160045082, 0160045094, 0160045209, 0160045295, 0160045296, 0160045449							
1001116443			P-UB-14	2	4	JLG-70023943	250.47
1001152274			P-UB-14	2	4	JLG-70023943	250.47
SWAY							
-0160033659,Excluding 0160033452							
91563005			P-UB-14	2	4	JLG-7026934	263.36
0160033659-0160037689,Including 0160033452							
91563268			P-UB-14	2	4	JLG-70021639	237.66
0160037689-							
1001101281			P-UB-14	2	4	JLG-70021639	237.66
SWING CARRIAGE							
1001103182			I-U-10	1-1/2	3-1/2	JLG-8035830	66.54
7029995			I,P-U-10	1-1/2	3	JLG-70021453	55.13
-0160045636,Excluding 0160045082, 0160045094, 0160045209, 0160045295, 0160045296, 0160045449							
1001103182			I-U-10	1-1/2	3-1/2	JLG-2915023	54.99
7029995			I,P-U-10	1-1/2	3	JLG-70021453	55.13
0160045636-,Including 0160045082, 0160045094, 0160045209, 0160045295, 0160045296, 0160045449							
1001103182			I,P-U-10	1-1/2	3	JLG-70021453	55.13
TILT							
1001106861			P-U-10	2.500	6.000	JLG-70022098	277.87
-0160033659,Excluding 0160033452							
91563137			P-UB-10	2-1/2	6	JLG-7026475	248.16
0160033659-0160035879,Including 0160033452							
91563271			P-UB-10	2-1/2	6	JLG-70021548	247.36

JLG



Replacement Kits For

Telehandlers							
APPLICATION	CYL #	Misc-Parts, Instructions, etc.	CODE	ROD	BORE	KIT #	List \$
MODEL G12-55A							
TILT							
-0160033661							
91573013			P-UB-14	2-1/2	5-3/4	JLG-7026944	390.97
0160035879-0160037689							
1001106331			P-UB-10	2-1/2	6	JLG-70021548	247.36
0160037689-							
1684538			P-U-10	2.500	6.000	JLG-70022098	277.87
0160045636-, Including 0160045082, 0160045094, 0160045209, 0160045295, 0160045296, 0160045449							
1001152298			P-U-10	2.500	6.000	JLG-70022098	277.87
1684538			P-U-10	2.500	6.000	JLG-70022098	277.87
MODEL SKYTRAK 6036							
ATTACHMENT TILT							
0160045066-, Including 42742, 42747, 42755							
2716614			I-U-10,14	2	5	JLG-8035720	255.18
0160045066-0160069718; incl. 0160042742, 0160042747 & 0160042755; excl. 0160065792, 0160065798, 0160065824							
2716614			I-U-10,14	2	5	JLG-8035720	255.18
0160069720-; incl. 0160065792, 016005798, 0160065824, 0160069383 & 0160069411							
2716614			I-U-10,14	2	5	JLG-8035720	255.18
-14833							
2711703			I-U-10,14	2	5	JLG-8035720	255.18
14834-19988 & 0160002345-0160044900							
2716614			I-U-10,14	2	5	JLG-8035720	255.18
14834-19988, 0160002345-0160044900							
2716614			I-U-10,14	2	5	JLG-8035720	255.18
BOOM EXTEND							
0160045066-, Including 42742, 42747, 42755							
2717008			I-UB-10	3	4-1/2	JLG-8036502	123.42
0160045066-0160069718; incl. 0160042742, 0160042747 & 0160042755; excl. 0160065792, 0160065798, 0160065824							
2717008			I-UB-10	3	4-1/2	JLG-8036502	123.42
0160069720-; incl. 0160065792, 016005798, 0160065824, 0160069383 & 0160069411							
1001156013			I-UB-10	3	4-1/2	JLG-8036502	123.42
-14833							
2711693	TJB Stamping		I-UB-10	3	4-1/2	JLG-8036294	162.18
2711693	BHE Stamping		P-U-10	3	4-1/2	JLG-8205667	52.30
15223-19988, 0160002345-							
2716571			I-UB-10	3	4-1/2	JLG-8036294	162.18
15223-19988; 0160002345-							
2716571			I-UB-10	3	4-1/2	JLG-8036294	162.18
BOOM LIFT							
0160004110 thru 0160015020 incl. 0160003491 & 0160003492							
2717257			I-U-14	2-3/4	5	JLG-8036782	218.88
0160004110-0160015020, Including 0160003491, 3492							
2717257			I-U-14	2-3/4	5	JLG-8036782	218.88
0160015052-							
1684464			I-U-14	2-3/4	5	JLG-8036782	218.88
0160045066-, Including 42742, 42747, 42755							
1684464			I-U-14	2-3/4	5	JLG-8036782	218.88
0160045066-0160069718; incl. 0160042742, 0160042747 & 0160042755; excl. 0160065792, 0160065798, 0160065824 excluding 0160065792, 0160065798, 0160065824							
1684464			I-U-14	2-3/4	5	JLG-8036782	218.88
0160069720-; incl. 0160065792, 016005798, 0160065824, 0160069383 & 0160069411							
100156164			P-U-10	85 mm	120 mm	JLG-70026044	208.53

JLG

Replacement Kits For



Telehandlers							
APPLICATION	CYL #	Misc-Parts, Instructions, etc.	CODE	ROD	BORE	KIT #	List \$
MODEL SKYTRAK 6036							
BOOM LIFT							
-14833							
2711543		BHE Stamping	P-U-10	3	5-1/2	JLG-8205668	78.26
2713793		TJB Stamping	I-U-10	3	5-1/2	JLG-8032718	53.68
7129252		TJB Stamping	I-U-10	3	5-1/2	JLG-8032718	53.68
7129252; 2713793			I-U-10	3	5-1/2	JLG-8032718	53.68
14834-19297							
2716616			I-U-14	2-3/4	5	JLG-8036132	272.85
19298-19988,0160002345-0160004091,Excluding 0160003491,3492							
2717196			I-U-14	2-3/4	5	JLG-8036782	218.88
19298-19988; 0160002345-0160004091; excluding 0160003491 & 0160003492							
2717196			I-U-14	2-3/4	5	JLG-8036782	218.88
COMPENSATION							
0160069720-; incl. 0160065792, 0160065798, 0160065824, 0160069383 & 0160069411							
1001196110			I-U-14	1-1/2	3-3/4	JLG-70028159	101.29
FRAME LEVEL							
0160045066-,Including 42742,42747,42755							
1001091901			I-U-14	2-1/4	4-1/2	JLG-8035326	292.82
0160045066-0160069718; incl. 0160042742, 0160042747 & 0160042755; excl. 0160065792, 0160065798, 0160065824							
1001091901			I-U-14	2-1/4	4-1/2	JLG-8035326	292.82
0160069720-; incl. 0160065792, 016005798, 0160065824, 0160069383 & 0160069411							
1001091901			I-U-14	2-1/4	4-1/2	JLG-8035326	292.82
FRAME SWAY							
0160005638-							
2716563			I-U-14	2-1/4	4-1/2	JLG-8035326	292.82
14384-19988,0160002345-0160004091,Excluding 0160003491,3492							
2716563			I-U-14	2-1/4	4-1/2	JLG-8035326	292.82
14384-19988; 0160002345-0160004091; excl. 0160003491 & 0160003492							
2716563; 1001091901			I-U-14	2-1/4	4-1/2	JLG-8035326	292.82
FRAME TILT							
-14833							
2711673			I-U-10	2	115 mm	JLG-8032730	36.14
GRAPPLE BUCKET							
0160045066-,Including 42742,42747,42755							
70021393			I-U-10	1-1/4	2-1/2	JLG-70021452	15.90
0160045066-0160069718; incl. 0160042742, 0160042747 & 0160042755; excl. 0160065792, 0160065798, 0160065824							
70021393			I-U-10	1-1/4	2-1/2	JLG-70021452	15.90
0160069720-; incl. 0160065792, 016005798, 0160065824, 0160069383 & 0160069411							
70021393			I-U-10	1-1/4	2-1/2	JLG-70021452	15.90
14834-19988 & 0160002345-0160044900							
70021393			I-U-10	1-1/4	2-1/2	JLG-70021452	15.90
SIDE SHIFT CARRIAGE							
0160037788-							
70024539			I-U-13	25 mm	63 mm	JLG-70024549	98.59
0160045066-,Including 42742,42747,42755							
70024539			I-U-13	25 mm	63 mm	JLG-70024549	98.59
0160045066-0160069718; incl. 0160042742, 0160042747 & 0160042755; excl. 0160065792, 0160065798, 0160065824							
70024539			I-U-13	25 mm	63 mm	JLG-70024549	98.59
0160069720 - ; incl. 0160065792, 016005798, 0160065824, 0160069383 & 0160069411							
70024539			I-U-13	25 mm	63 mm	JLG-70024549	98.59
SIDE TILT CARRIAGE							
0160045066-,Including 42742,42747,42755							
1001090134			I-U-10	1-3/4	3-1/2	JLG-70022041	37.87

JLG

Replacement Kits For



Telehandlers							
APPLICATION	CYL #	Misc-Parts, Instructions, etc.	CODE	ROD	BORE	KIT #	List \$
MODEL SKYTRAK 6036							
SIDE TILT CARRIAGE							
-0160066473; excl. 0160021284							
1001090134			I-U-10	1-3/4	3-1/2	JLG-70022041	37.87
0160066473-; incl. 0160021284							
1001163414			P-U-14	45 mm	90 mm	JLG-70026062	194.53
0160069720-; incl. 0160065792, 016005798, 0160065824, 0160069383 & 0160069411							
1001163414			P-U-14	45 mm	90 mm	JLG-70026062	194.53
-14833							
2711613			I-U-14	1-3/4	4	JLG-70028986	96.94
2711613			I-U-10,14	1-3/4	4	JLG-8035831	147.38
14834-19988 & 0160002345-0160044900							
1001090134			I-U-10	1-3/4	3-1/2	JLG-70022041	37.87
1001163414			P-U-14	45 mm	90 mm	JLG-70026062	194.53
SLAVE							
0160004110-;Including 0160003491,3492							
2717260			I-U-14	1-1/2	3-3/4	JLG-7028739	104.47
0160004110-; incl. 0160003491 & 0160003492							
2717260			I-U-14	1-1/2	3-3/4	JLG-7028739	104.47
-14833							
2716193			I-U-10,14	2	5	JLG-8035720	255.18
14834-19297							
2716615			I-U-14	1-1/2	3-3/4	JLG-8036131	184.02
19298-19988,0160002345-0160004088,Excluding 0160003491,3492							
2717197			I-U-14	1-1/2	3-3/4	JLG-7028739	104.47
19298-19988; 0160002345-0160004088; excl. 0160003491 & 0160003492							
2717197			I-U-14	1-1/2	3-3/4	JLG-7028739	104.47
STABIL-TRAK							
0160045066-;Including 42742,42747,42755							
2717198			I-U-14	2-1/4	4-1/2	JLG-8036747	203.58
0160045066-0160069718; incl. 0160042742, 0160042747 & 0160042755; excl. 0160065792, 0160065798, 0160065824							
2717198			I-U-14	2-1/4	4-1/2	JLG-8036747	203.58
0160069720-; incl. 0160065792, 016005798, 0160065824, 0160069383 & 0160069411							
2717198			I-U-14	2-1/4	4-1/2	JLG-8036747	203.58
STEERING							
-0160038390,Including 38848,38853,38855; Axle -829693							
1321149			I-U-10	50 mm	100 mm	JLG-8035981	222.27
-0160038390,Including 38848,38853,38855; Axle 829694-							
70021617			I-U-10	50 mm	100 mm	JLG-70021495	225.86
0160038391-;Excluding 38848,38853,38855							
70022173			I-U-10	50 mm	100 mm	JLG-70022178	184.40
0160045066-;Including 42742,42747,42755							
70022173			I-U-10	50 mm	100 mm	JLG-70022178	184.40
-3101							
8032963	Right Front, Left Rear		I-U-10	1-1/8	2-1/4	JLG-8033489	74.43
8032963; 8032694			I-U-10	1-1/8	2-1/4	JLG-8033489	74.43
8032964	Left Front, Right Rear		I-U-10	1-1/8	2-1/4	JLG-8033489	74.43
3102-							
8034685	Right Front, Left Rear		P-U-10	1-1/8	2-1/4	JLG-8034690	84.66
8034685; 8034686			P-U-10	1-1/8	2-1/4	JLG-8034690	84.66
8034686	Left Front, Right Rear		P-U-10	1-1/8	2-1/4	JLG-8034690	84.66
SWING CARRIAGE							
0160045066-;Including 42742,42747,42755							
1001103182			I-U-10	1-1/2	3-1/2	JLG-2915023	54.99

JLG

Replacement Kits For



Telehandlers							
APPLICATION	CYL #	Misc-Parts, Instructions, etc.	CODE	ROD	BORE	KIT #	List \$
MODEL SKYTRAK 6036							
SWING CARRIAGE							
0160045066-0160069718; incl. 0160042742, 0160042747 & 0160042755; excl. 0160065792, 0160065798, 0160065824							
1001103182			I-U-10	1-1/2	3-1/2	JLG-2915023	54.99
0160069720-; incl. 0160065792, 016005798, 0160065824, 0160069383 & 0160069411							
1001103182			I-U-10	1-1/2	3-1/2	JLG-2915023	54.99
-14833							
2713363			I-U-10	1-1/2	3-1/2	JLG-70028988	42.11
2713363			I-U-10,14	1-3/4	4	JLG-8035831	147.38
14834-1988 & 0160002345-0160044900							
1001103182			I-U-10	1-1/2	3-1/2	JLG-2915023	54.99
TILT COMPENSATING							
0160045066-0160069718; incl. 0160042742, 0160042747 & 0160042755; excl. 0160065792, 0160065798, 0160065824							
2717260			I-U-14	1-1/2	3-3/4	JLG-7028739	104.47
TILT COMPENSATING (SLAVE)							
0160045066-,Including 42742,42747,42755							
2717260			I-U-14	1-1/2	3-3/4	JLG-7028739	104.47
MODEL SKYTRAK 6042							
ATTACHMENT TILT							
0160045066-,Including 42742,42747,42755							
2716614			I-U-10,14	2	5	JLG-8035720	255.18
0160045066-0160069718; incl. 0160042742, 0160042747 & 0160042755; excl. 0160065792, 0160065798, 0160065824							
2716614			I-U-10,14	2	5	JLG-8035720	255.18
0160069720-; incl. 0160065792, 0160065798, 0160065824, 0160069383 & 0160069411							
2716614			I-U-10,14	2	5	JLG-8035720	255.18
17019-19897 & 0160002408-0160045063; excl. 0160042742, 0160042747 & 0160042755							
2716614			I-U-10,14	2	5	JLG-8035720	255.18
17019-19897,0160002408-45063,Excluding 42742,42747,42755							
2716614			I-U-10,14	2	5	JLG-8035720	255.18
BOOM EXTEND							
0160045066-,Including 42742,42747,42755							
2717008			I-UB-10	3	4-1/2	JLG-8036502	123.42
0160045066-0160069718; incl. 0160042742, 0160042747 & 0160042755; excl. 0160065792, 0160065798, 0160065824							
2717008			I-UB-10	3	4-1/2	JLG-8036502	123.42
0160069720-; incl. 0160065792, 016005798, 0160065824, 0160069383 & 0160069411							
1001156012			I-UB-10	3	4-1/2	JLG-8036502	123.42
1001180764			I-U-14	75 mm	115 mm	JLG-70027704	133.56
17019-19897 & 0160002408; excl. 0160042742, 0160042747 & 0160042755							
2717008			I-UB-10	3	4-1/2	JLG-8036502	123.42
17019-19897,0160002408-45063,Excluding 42742,42747,42755							
2717008			I-UB-10	3	4-1/2	JLG-8036502	123.42
BOOM LIFT							
0160003879-0160027650							
2717262; 1684455			I-U-14	2-3/4	5	JLG-8036132	272.85
0160003879-15022							
2717262			I-U-14	2-3/4	5	JLG-8036132	272.85
0160013567-27650							
1684455			I-U-14	2-3/4	5	JLG-8036132	272.85
0160027677-							
1684537			I-U-14	2-3/4	5	JLG-8036132	272.85
0160045066-,Including 42742,42747,42755							
1684537			I-U-14	2-3/4	5	JLG-8036132	272.85
0160045066-0160069718; incl. 0160042742, 0160042747 & 0160042755; excl. 0160065792, 0160065798, 0160065824							
1684537			I-U-14	2-3/4	5	JLG-8036132	272.85

JLG

JLG

Replacement Kits For

Telehandlers							
APPLICATION	CYL #	Misc-Parts, Instructions, etc.	CODE	ROD	BORE	KIT #	List \$
MODEL SKYTRAK 6042							
BOOM LIFT							
0160069720-; incl. 0160065792, 016005798, 0160065824, 0160069383 & 0160069411							
1001156174			I-U-14	3-1/4	5	JLG-70026022	259.16
17019-19897, 0160002408-0160003867							
2717007			I-U-14	2-3/4	5	JLG-8036132	272.85
17019-19897,0160002408-3867							
2717007			I-U-14	2-3/4	5	JLG-8036132	272.85
COMPENSATION							
0160069720-; incl. 0160065792, 016005798, 0160065824, 0160069383 & 0160069411							
1001196110			I-U-14	1-1/2	3-3/4	JLG-70028159	101.29
FRAME LEVEL							
0160045066-,Including 42742,42747,42755							
2716563			I-U-14	2-1/4	4-1/2	JLG-8035326	292.82
0160045066-0160069718; incl. 0160042742, 0160042747 & 0160042755; excl. 0160065792, 0160065798, 0160065824							
1001180762			P-UB-14	60 mm	115 mm	JLG-70027696	215.63
2716563			I-U-14	2-1/4	4-1/2	JLG-8035326	292.82
0160069720-; incl. 0160065792, 016005798, 0160065824, 0160069383 & 0160069411							
1001180762			P-UB-14	60 mm	115 mm	JLG-70027696	215.63
2716563			I-U-14	2-1/4	4-1/2	JLG-8035326	292.82
FRAME SWAY							
0160005696-							
2716563			I-U-14	2-1/4	4-1/2	JLG-8035326	292.82
17019-19897,0160002408-3867							
2716563			I-U-14	2-1/4	4-1/2	JLG-8035326	292.82
17019-19897; 0160002408-0160003867							
2716563			I-U-14	2-1/4	4-1/2	JLG-8035326	292.82
GRAPPLE BUCKET							
0160045066-,Including 42742,42747,42755							
70021393			I-U-10	1-1/4	2-1/2	JLG-70021452	15.90
0160045066-0160069718; incl. 0160042742, 0160042747 & 0160042755; excl. 0160065792, 0160065798, 0160065824							
70021393			I-U-10	1-1/4	2-1/2	JLG-70021452	15.90
0160069720-; incl. 0160065792, 016005798, 0160065824, 0160069383 & 0160069411							
70021393			I-U-10	1-1/4	2-1/2	JLG-70021452	15.90
17019-19897 & 0160002408-0160045063; excl. 0160042742, 0160042747 & 0160042755							
70021393			I-U-10	1-1/4	2-1/2	JLG-70021452	15.90
17019-19897,0160002408-45063,Excluding 42742,42747,42755							
70021393			I-U-10	1-1/4	2-1/2	JLG-70021452	15.90
SIDE SHIFT CARRIAGE							
0160045066-,Including 42742,42747,42755							
70024539			I-U-13	25 mm	63 mm	JLG-70024549	98.59
0160045066-0160069718; incl. 0160042742, 0160042747 & 0160042755; excl. 0160065792, 0160065798, 0160065824							
70024539			I-U-13	25 mm	63 mm	JLG-70024549	98.59
0160069720-; incl. 0160065792, 016005798, 0160065824, 0160069383 & 0160069411							
70024539			I-U-13	25 mm	63 mm	JLG-70024549	98.59
17019 - 19897 & 0160002408 - 0160045063; excluding 0160042742, 0160042747 & 0160042755							
70024539			I-U-13	25 mm	63 mm	JLG-70024549	98.59
SIDE TILE CARRIAGE							
17019 - 19897 & 0160002408 - 0160045063; excluding 0160042742, 0160042747 & 0160042755							
1001163414			P-U-14	45 mm	90 mm	JLG-70026062	194.53
SIDE TILT CARRIAGE							
0160045066-,Including 42742,42747,42755							
1001090134			I-U-10	1-3/4	3-1/2	JLG-70022041	37.87
-0160066473; excl. 0160021284							
1001090134			I-U-10	1-3/4	3-1/2	JLG-70022041	37.87

JLG

Replacement Kits For



Telehandlers							
APPLICATION	CYL #	Misc-Parts, Instructions, etc.	CODE	ROD	BORE	KIT #	List \$
MODEL SKYTRAK 6042							
SIDE TILT CARRIAGE							
0160066473-; incl. 0160021284							
1001163414			P-U-14	45 mm	90 mm	JLG-70026062	194.53
0160069720-; incl. 0160065792, 016005798, 0160065824, 0160069383 & 0160069411							
1001163414			P-U-14	45 mm	90 mm	JLG-70026062	194.53
17019 - 19897 & 0160002408 - 0160045063; excluding 0160042742, 0160042747 & 0160042755							
1001090134			I-U-10	1-3/4	3-1/2	JLG-70022041	37.87
17019-19897,0160002408-45063,Excluding 42742,42747,42755							
1001090134			I-U-10	1-3/4	3-1/2	JLG-70022041	37.87
SLAVE							
0160003879-							
2717260			I-U-14	1-1/2	3-3/4	JLG-7028739	104.47
17019-19299							
2716615			I-U-14	1-1/2	3-3/4	JLG-8036131	184.02
19300-19897,0160002408-3867							
2717197			I-U-14	1-1/2	3-3/4	JLG-7028739	104.47
19300-19897; 0160002408-0160003867							
2717197			I-U-14	1-1/2	3-3/4	JLG-7028739	104.47
STABIL-TRAK							
0160002408-; 19300-19897							
2717198			I-U-14	2-1/4	4-1/2	JLG-8036747	203.58
0160045066-;Including 42742,42747,42755							
2717198			I-U-14	2-1/4	4-1/2	JLG-8036747	203.58
0160045066-0160069718; incl. 0160042742, 0160042747 & 0160042755; excl. 0160065792, 0160065798, 0160065824							
2717198			I-U-14	2-1/4	4-1/2	JLG-8036747	203.58
0160069720-; incl. 0160065792, 016005798, 0160065824, 0160069383 & 0160069411							
2717198			I-U-14	2-1/4	4-1/2	JLG-8036747	203.58
17019-19299							
2716564			I-U-14	2-1/4	4-1/2	JLG-8035326	292.82
19300-19897,0160002408-							
2717198			I-U-14	2-1/4	4-1/2	JLG-8036747	203.58
STEERING FRONT							
-0160038918,Excluding 0160033533; AXLE -829693							
1321149			I-U-10	50 mm	100 mm	JLG-8035981	222.27
-0160038918,Excluding 0160033533; AXLE 829694-							
70021617			I-U-10	50 mm	100 mm	JLG-70021495	225.86
0160038919-;Including 33533							
70022173			I-U-10	50 mm	100 mm	JLG-70022178	184.40
SWING CARRIAGE							
0160045066-;Including 42742,42747,42755							
1001103182			I-U-10	1-1/2	3-1/2	JLG-2915023	54.99
0160045066-0160069718; incl. 0160042742, 0160042747 & 0160042755; excl. 0160065792, 0160065798, 0160065824							
1001103182			I-U-10	1-1/2	3-1/2	JLG-2915023	54.99
0160069720-; incl. 0160065792, 016005798, 016005798, 0160065824, 0160069383 & 0160069411							
1001103182			I-U-10	1-1/2	3-1/2	JLG-2915023	54.99
17019 - 19897 & 0160002408 - 0160045063; excluding 0160042742, 0160042747 & 0160042755							
1001103182			I-U-10	1-1/2	3-1/2	JLG-2915023	54.99
17019-19897,0160002408-45063,Excluding 42742,42747,42755							
1001103182			I-U-10	1-1/2	3-1/2	JLG-2915023	54.99
TILT COMPENSATING (SLAVE)							
0160045066-;Including 42742,42747,42755							
2717260			I-U-14	1-1/2	3-3/4	JLG-7028739	104.47
0160045066-0160069718; incl. 0160042742, 0160042747 & 0160042755; excl. 0160065792, 0160065798, 0160065824							
2717260			I-U-14	1-1/2	3-3/4	JLG-7028739	104.47

JLG

JLG

Replacement Kits For

Telehandlers							
APPLICATION	CYL #	Misc-Parts, Instructions, etc.	CODE	ROD	BORE	KIT #	List \$
MODEL SKYTRAK 6042							
TILT COMPENSATING (SLAVE)							
0160069720-; incl. 0160065792, 016005798, 0160065824, 0160069383 & 0160069411							
	2717260		I-U-14	1-1/2	3-3/4	JLG-7028739	104.47
MODEL SKYTRAK 8042							
ATTACHMENT TILT							
	2712973		I-U-4,14	2-1/2	6	JLG-8035780	335.85
0160004670-							
	2716618		I-U-4,14	2-1/2	6	JLG-8035780	335.85
0160045250-;Including 42754,42762,42877,42911,43185,43220,43244,Excluding 45255							
	2716618		I-U-4,14	2-1/2	6	JLG-8035780	335.85
0160045250-0160069718; incl. 0160042754, 0160042762, 0160042877, 0160042911, 0160043185, 0160043220 & 0160043244; excl. 0160045255, 0160065791, 016005796, 0160065825, 0160065826, 0160069336, 0160069359, 0160069441							
	2716618		I-U-4,14	2-1/2	6	JLG-8035780	335.85
-0160078728							
	2716618		I-U-4,14	2-1/2	6	JLG-8035780	335.85
-13197							
	2712973		I-U-4,14	2-1/2	6	JLG-8035780	335.85
13198-19791							
	2716618		I-U-4,14	2-1/2	6	JLG-8035780	335.85
19792-19987,0160002332-4653							
	2717203		I-U-14	2-1/2	6	JLG-8036786	211.66
19792-19987; 0160002332-0160004653							
	2717203		I-U-14	2-1/2	6	JLG-8036786	211.66
BOOM EXTEND							
	2716173		I-UB-10, 14	3	5	JLG-70028961	297.70
0160045250-;Including 42754,42762,42877,42911,43185,43220,43244,Excluding 45255							
	2716173		I-UB-10,14	3	5	JLG-8036295	297.70
0160045250-0160069718; incl. 0160042754, 0160042762, 0160042877, 0160042911, 0160043185, 0160043220 & 0160043244; excl. 0160045255, 0160065791, 016005796, 0160065825, 0160065826, 0160069336, 0160069359, 0160069441							
	2716173		I-UB-10,14	3	5	JLG-8036295	297.70
0160069722-; incl. 0160065791, 0160065796, 0160065825, 0160065826, 0160069336, 0160069359, 0160069441							
	1001156011		P-U-10	90 mm	120 mm	JLG-70026052	211.34
-13197							
	2716173		I-UB-10,14	3	5	JLG-8036295	297.70
13198-19987 & 0160002332-0160045249; incl. 0160045255; excl. 0160042754; 0160042762; 0160042877, 0160042911, 0160043185, 0160043220 & 0160043244							
	2717052		I-UB-10,14	3	5	JLG-8036295	297.70
13198-19987,0160002332-							
	2716173		I-UB-10,14	3	5	JLG-8036295	297.70
13198-19987; 016002332-							
	2716173		I-UB-10,14	3	5	JLG-8036295	297.70
BOOM LIFT							
0160004670-0160014285							
	2717259		I-U-14	3	6	JLG-8036746	241.25
0160004670-14285							
	2717259		I-U-14	3	6	JLG-8036746	241.25
0160015042-0160030716							
	1684448		I-U-14	3	6	JLG-8036746	241.25
0160015042-30716							
	1684448		I-U-14	3	6	JLG-8036746	241.25
0160030721-							
	2716617		I-U-10,14	3	6	JLG-8035386	303.02
0160045250-;Including 42754,42762,42877,42911,43185,43220,43244,Excluding 45255							
	2716617		I-U-10,14	3	6	JLG-8035386	303.02

JLG

Replacement Kits For



Telehandlers							
APPLICATION	CYL #	Misc-Parts, Instructions, etc.	CODE	ROD	BORE	KIT #	List \$
MODEL SKYTRAK 8042							
BOOM LIFT							
0160045250-0160069718; incl. 0160042754, 0160042762, 0160042877, 0160042911, 0160043185, 0160043220 & 0160043244; excl. 0160045255, 0160065791, 016005796, 0160065825, 0160065826, 0160069336, 0160069359, 0160069441							
2716617			I-U-10,14	3	6	JLG-8035386	303.02
0160069722-; incl. 0160065791, 0160065796, 0160065825, 0160065826, 0160069336, 0160069359, 0160069441							
1001156175			P-U-10	90 mm	145 mm	JLG-70026048	216.28
-13197							
2714993			I-U-10	3	6	JLG-8033731	58.64
13198-19145							
2716617			I-U-10,14	3	6	JLG-8035386	303.02
19146-19987,0160002332-4653							
2717199			I-U-14	3	6	JLG-8036746	241.25
19146-19987; 0160002332-0160004653							
2717199			I-U-14	3	6	JLG-8036746	241.25
-5819; 5819-13197							
2714993			I-U-10,14	3	6	JLG-8035386	303.02
FRAME LEVEL							
0160045250-;Including 42754,42762,42877,42911,43185,43220,43244,Excluding 45255							
2716563			I-U-14	2-1/4	4-1/2	JLG-8035326	292.82
-0160076614, incl. 0160076627 & 0160076629							
2716563			I-U-14	2-1/4	4-1/2	JLG-8035326	292.82
0160076614-; excl. 0160076627, 0160076629 & 0160076633							
1001180762			P-UB-14	60 mm	115 mm	JLG-70027696	215.63
0160076614; incl. 0160076627 & 0160076629							
2716563			I-U-14	2-1/4	4-1/2	JLG-8035326	292.82
-0160076614; incl. 0160076627, 0160076629 & 0160076633							
2716563			I-U-14	2-1/4	4-1/2	JLG-8035326	292.82
0160076614-0160076626; 0160076630-; incl. 0160076628; excl. 0160076627 & 0160076629							
1001180762			P-UB-14	60 mm	115 mm	JLG-70027696	215.63
FRAME SWAY							
0160005695-							
2716563			I-U-14	2-1/4	4-1/2	JLG-8035326	292.82
13198-19987,0160002332-4653							
2716563			I-U-14	2-1/4	4-1/2	JLG-8035326	292.82
13198-19987; 0160002332-0160004653							
2716563			I-U-14	2-1/4	4-1/2	JLG-8035326	292.82
FRAME TILT							
7115662; 2713853							
			I-U-10	2	4-1/2	JLG-8033747	42.20
-0266							
7115662			I-U-10	2	4-1/2	JLG-8033747	42.20
0267-13197							
2713853			I-U-10	2	4-1/2	JLG-8033747	42.20
GRAPPLE BUCKET							
0160045250-;Including 42754,42762,42877,42911,43185,43220,43244,Excluding 45255							
70021393			I-U-10	1-1/4	2-1/2	JLG-70021452	15.90
0160045250-0160069718; incl. 0160042754, 0160042762, 0160042877, 0160042911, 0160043185, 0160043220 & 0160043244; excl. 0160045255, 0160065791, 016005796, 0160065825, 0160065826, 0160069336, 0160069359, 0160069441							
70021393			I-U-10	1-1/4	2-1/2	JLG-70021452	15.90
0160069722-; incl. 0160065791, 0160065796, 0160065825, 0160065826, 0160069336, 0160069359, 0160069441							
70021393			I-U-10	1-1/4	2-1/2	JLG-70021452	15.90
13198-19987 & 0160002332-0160045249; incl. 0160045255; excl. 0160042754; 0160042762; 0160042877, 0160042911, 0160043185, 0160043220 & 0160043244							
70021393			I-U-10	1-1/4	2-1/2	JLG-70021452	15.90

JLG



Replacement Kits For

Telehandlers							
APPLICATION	CYL #	Misc-Parts, Instructions, etc.	CODE	ROD	BORE	KIT #	List \$
MODEL SKYTRAK 8042							
GRAPPLE BUCKET							
13198-19987,0160002332-45249 Including 45255,Excluding 42754,42762,42877,42911,43185,43220,43244							
	70021393		I-U-10	1-1/4	2-1/2	JLG-70021452	15.90
OUTRIGGER							
0160002940-							
	2717201		I-U-14	3	5	JLG-8036784	220.15
0160045250-,Including 42754,42762,42877,42911,43185,43220,43244,Excluding 45255							
	2717201		I-U-14	3	5	JLG-8036784	220.15
0160045250-0160069718; incl. 0160042754, 0160042762, 0160042877, 0160042911, 0160043185, 0160043220 & 0160043244; excl. 0160045255, 0160065791, 016005796, 0160065825, 0160065826, 0160069336, 0160069359, 0160069441							
	2717201		I-U-14	3	5	JLG-8036784	220.15
0160069722-; incl. 0160065791, 0160065796, 0160065825, 0160065826, 0160069336, 0160069359, 0160069441							
	2717201		I-U-14	3	5	JLG-8036784	220.15
-10882							
	2716163		I-U-10,14	3	5	JLG-8035519	295.97
10882-13197							
	2716163		I-U-15	3	5	JLG-8035732	279.35
-13197							
	2716163		I-U-10,14	3	5	JLG-8035519	295.97
13198-19987,0160002332-2914							
	2716163		I-U-10,14	3	5	JLG-8035519	295.97
13198-19987; 0160002332-016002914							
	2716163		I-U-10,14	3	5	JLG-8035519	295.97
SIDE SHIFT CARRIAGE							
0160045250-,Including 42754,42762,42877,42911,43185,43220,43244,Excluding 45255							
	70024539		I-U-13	25 mm	63 mm	JLG-70024549	98.59
0160045250-0160069718; incl. 0160042754, 0160042762, 0160042877, 0160042911, 0160043185, 0160043220 & 0160043244; excl. 0160045255, 0160065791, 016005796, 0160065825, 0160065826, 0160069336, 0160069359, 0160069441							
	70024539		I-U-13	25 mm	63 mm	JLG-70024549	98.59
0160069722-; incl. 0160065791, 0160065796, 0160065825, 0160065826, 0160069336, 0160069359, 0160069441							
	70024539		I-U-13	25 mm	63 mm	JLG-70024549	98.59
13198-19987 & 0160002332-0160045249; incl. 0160045255; excl. 0160042754; 0160042762; 0160042877, 0160042911, 0160043185, 0160043220 & 0160043244							
	70024539		I-U-13	25 mm	63 mm	JLG-70024549	98.59
SIDE TILT CARRIAGE							
01600066474-							
	1001163414		P-U-14	45 mm	90 mm	JLG-70026062	194.53
0160045250-,Including 42754,42762,42877,42911,43185,43220,43244,Excluding 45255							
	1001090134		I-U-10	1-3/4	3-1/2	JLG-70022041	37.87
-0160066474							
	1001090134		I-U-10	1-3/4	3-1/2	JLG-70022041	37.87
-13197							
	2711613		I-U-10,14	1-3/4	4	JLG-8035831	147.38
13198-19987 & 0160002332-0160045249; incl. 0160045255; excl. 0160042754; 0160042762; 0160042877, 0160042911, 0160043185, 0160043220 & 0160043244							
	1001090134		I-U-10	1-3/4	3-1/2	JLG-70022041	37.87
	1001163414		P-U-14	45 mm	90 mm	JLG-70026062	194.53
13198-19987,0160002332-45249 Including 45255,Excluding 42754,42762,42877,42911,43185,43220,43244							
	1001090134		I-U-10	1-3/4	3-1/2	JLG-70022041	37.87
SLAVE							
	2714973		I-U-5,14	1-3/4	4-1/4	JLG-8034695	225.30
0160004670-							
	2714973		I-U-5,14	1-3/4	4-1/4	JLG-8034695	225.30
-13197							
	2714973		I-U-5,14	1-3/4	4-1/4	JLG-8034695	225.30

JLG



Replacement Kits For

Telehandlers							
APPLICATION	CYL #	Misc-Parts, Instructions, etc.	CODE	ROD	BORE	KIT #	List \$
MODEL SKYTRAK 8042							
SLAVE							
13198-19987,0160002332-3866							
	2714973		I-U-5,14	1-3/4	4-1/4	JLG-8034695	225.30
13198-19987; 0160002332-0160003866							
	2714973		I-U-5,14	1-3/4	4-1/4	JLG-8034695	225.30
STABILIZER							
	2713333		I-U-10	2	4-1/2	JLG-8033747	42.20
0160045250-0160069718; incl. 0160042754, 0160042762, 0160042877, 0160042911, 0160043185, 0160043220 & 0160043244; excl. 0160045255, 0160065791, 016005796, 0160065825, 0160065826, 0160069336, 0160069359, 0160069441							
	2717198		I-U-14	2-1/4	4-1/2	JLG-8036747	203.58
0160069722-; incl. 0160065791, 0160065796, 0160065825, 0160065826, 0160069336, 0160069359, 0160069441							
	2717198		I-U-14	2-1/4	4-1/2	JLG-8036747	203.58
-13197							
	2713333		I-U-10	2	4-1/2	JLG-8033747	42.20
19146-19987; 0160002332-							
	2717198		I-U-14	2-1/4	4-1/2	JLG-8036747	203.58
STABIL-TRAK							
0160045250-,Including 42754,42762,42877,42911,43185,43220,43244,Excluding 45255							
	2717198		I-U-14	2-1/4	4-1/2	JLG-8036747	203.58
13198-19145							
	2716564		I-U-14	2-1/4	4-1/2	JLG-8035326	292.82
19146-19987,0160002332-							
	2717198		I-U-14	2-1/4	4-1/2	JLG-8036747	203.58
STEERING							
0160038967-,Excluding 38971,38984; 0160045250-,Including 42754,42762,42877,42911,43185,43220,43244,Excluding 45255							
	70022173		I-U-10	50 mm	100 mm	JLG-70022178	184.40
-1167							
		Cyl No not avail	I-U-10	1-1/8	2-1/2	JLG-8033801	93.47
-1168							
	8034684		I-U-10	1-1/8	2-1/2	JLG-8033801	93.47
1168-							
	8034684		P-U-10	1-1/8	2-1/2	JLG-8034691	96.26
1168-13197							
	8034684		P-U-10	1-1/8	2-1/2	JLG-8034691	96.26
STEERING FRONT							
-0160038966,Including 38971,38984; AXLE -828784							
	1321149		I-U-10	50 mm	100 mm	JLG-8035981	222.27
-0160038966,Including 38971,38984; AXLE 828785-							
	70021617		I-U-10	50 mm	100 mm	JLG-70021495	225.86
STEERING REAR							
-0160038966,Including 38971,38984; AXLE -955402							
	1321149		I-U-10	50 mm	100 mm	JLG-8035981	222.27
-0160038966,Including 38971,38984; AXLE 955403-							
	70021617		I-U-10	50 mm	100 mm	JLG-70021495	225.86
SWING							
	2713363		I-U-10	1-1/2	3-1/2	JLG-70028988	42.11
SWING CARRIAGE							
0160045250-,Including 42754,42762,42877,42911,43185,43220,43244,Excluding 45255							
	1001103182		I-U-10	1-1/2	3-1/2	JLG-2915023	54.99
0160045250-0160069718; incl. 0160042754, 0160042762, 0160042877, 0160042911, 0160043185, 0160043220 & 0160043244; excl. 0160045255, 0160065791, 016005796, 0160065825, 0160065826, 0160069336, 0160069359, 0160069441							
	1001103182		I-U-10	1-1/2	3-1/2	JLG-2915023	54.99
0160069722-; incl. 0160065791, 0160065796, 0160065825, 0160065826, 0160069336, 0160069359, 0160069441							
	1001103182		I-U-10	1-1/2	3-1/2	JLG-2915023	54.99

Replacement Kits For



Telehandlers							
APPLICATION	CYL #	Misc-Parts, Instructions, etc.	CODE	ROD	BORE	KIT #	List \$
MODEL SKYTRAK 8042							
SWING CARRIAGE							
-13197							
	2713363		I-U-10	1-1/2	3-1/2	JLG-8035830	66.54
13198-19987 & 0160002332-0160045249; incl. 0160045255; excl. 0160042754; 0160042762; 0160042877, 0160042911, 0160043185, 0160043220 & 0160043244							
	1001103182		I-U-10	1-1/2	3-1/2	JLG-2915023	54.99
13198-19987,0160002332-45249 Including 45255,Excluding 42754,42762,42877,42911,43185,43220,43244							
	1001103182		I-U-10	1-1/2	3-1/2	JLG-2915023	54.99
TILT							
	2711613		I-U-14	1-3/4	4	JLG-70028986	96.94
0160069722-; incl. 0160065791, 0160065796, 0160065825, 0160065826, 0160069336, 0160069359, 0160069441							
	1001163414		P-U-14	45 mm	90 mm	JLG-70026062	194.53
0160078728-							
	1001180763		I-U-10	2-1/2	6	JLG-70028408	160.88
TILT COMPENSATING (Slave)							
0160045250-0160069718; incl. 0160042754, 0160042762, 0160042877, 0160042911, 0160043185, 0160043220 & 0160043244; excl. 0160045255, 0160065791, 016005796, 0160065825, 0160065826, 0160069336, 0160069359, 0160069441							
	2714973		I-U-5,14	1-3/4	4-1/4	JLG-8034695	225.30
0160069722-; incl. 0160065791, 0160065796, 0160065825, 0160065826, 0160069336, 0160069359, 0160069441							
	1001189596		I-U-5,14	1-3/4	4-1/4	JLG-8034695	225.30
TILT COMPENSATION							
0160045250-,Including 42754,42762,42877,42911,43185,43220,43244,Excluding 45255							
	2714973		I-U-5,14	1-3/4	4-1/4	JLG-8034695	225.30
MODEL SKYTRAK 10042							
ATTACHMENT TILT							
0160004673-							
	2716618		I-U-4,14	2-1/2	6	JLG-8035780	335.85
0160045250-,Including 42754,42762,42877,42911,43185,43220,43244,Excluding 45255							
	2716618		I-U-4,14	2-1/2	6	JLG-8035780	335.85
0160069722-; incl. 0160065791, 0160065796, 0160065825, 0160065826, 0160069336, 0160069359, 0160069441							
	1001163414		P-U-14	45 mm	90 mm	JLG-70026062	194.53
0160078728-							
	1001180763		I-U-10	2-1/2	6	JLG-70028408	160.88
-13197							
	2712973		I-U-4,14	2-1/2	6	JLG-8035780	335.85
13198-19788							
	2716618		I-U-4,14	2-1/2	6	JLG-8035780	335.85
19789-19987,0160002332-4558							
	2717203		I-U-14	2-1/2	6	JLG-8036786	211.66
19789-19987; 0160002332-016004558							
	2717203		I-U-14	2-1/2	6	JLG-8036786	211.66
BOOM EXTEND							
	2716173		I-UB-10, 14	3	5	JLG-70028961	297.70
0160045250-,Including 42754,42762,42877,42911,43185,43220,43244,Excluding 45255							
	2717052		I-UB-10,14	3	5	JLG-8036295	297.70
0160045250-0160069718; incl. 0160042754, 0160042762, 0160042877, 0160042911, 0160043185, 0160043220 & 0160043244; excl. 0160045255, 0160065791, 016005796, 0160065825, 0160065826, 0160069336, 0160069359, 0160069441, 0160069566, 0160069567 & 0160069568							
	2717052		I-UB-10,14	3	5	JLG-8036295	297.70
0160069722-; incl. 0160065791, 0160065796, 0160065825, 0160065826, 0160069336, 0160069359, 0160069441							
	1001156010		I-UB-10	3	5	JLG-70026038	187.07
-13197							
	2716173		I-UB-10,14	3	5	JLG-8036295	297.70
13198-18397							
	2716173		I-UB-10,14	3	5	JLG-8036295	297.70

Replacement Kits For



Telehandlers							
APPLICATION	CYL #	Misc-Parts, Instructions, etc.	CODE	ROD	BORE	KIT #	List \$
MODEL SKYTRAK 10042							
BOOM EXTEND							
18398-19987,0160002332-							
2716173			I-UB-10,14	3	5	JLG-8036295	297.70
18398-19987; 0160002332-							
2717052			I-UB-10,14	3	5	JLG-8036295	297.70
BOOM LIFT							
0160004673-0160015021							
2717259			I-U-14	3	6	JLG-8036746	241.25
0160004673-15021							
2717259			I-U-14	3	6	JLG-8036746	241.25
0160015195-0160030708							
1684448			I-U-14	3	6	JLG-8036746	241.25
0160015195-30708							
1684448			I-U-14	3	6	JLG-8036746	241.25
0160030767-							
2716617			I-U-10,14	3	6	JLG-8035386	303.02
0160045250-,Including 42754,42762,42877,42911,43185,43220,43244,Excluding 45255							
2716617			I-U-10,14	3	6	JLG-8035386	303.02
0160045250-0160069718; incl. 0160042754, 0160042762, 0160042877, 0160042911, 0160043185, 0160043220 & 0160043244; excl. 0160045255, 0160065791, 016005796, 0160065825, 0160065826, 0160069336, 0160069359, 0160069441, 0160069566, 0160069567 & 0160069568							
2716617			I-U-10,14	3	6	JLG-8035386	303.02
0160069722-; incl. 0160065791, 0160065796, 0160065825, 0160065826, 0160069336, 0160069359, 0160069441							
1001156254			I-U-14	3	6	JLG-70026025	305.75
-13197							
2714993			I-U-10	3	6	JLG-8033731	58.64
13198-19241							
2716617			I-U-10,14	3	6	JLG-8035386	303.02
19242-19987,0160002332-4259							
2717199			I-U-14	3	6	JLG-8036746	241.25
19242-19987; 0160002332-0160004259							
2717199			I-U-14	3	6	JLG-8036746	241.25
-5819; 5819-13197							
2714993			I-U-10,14	3	6	JLG-8035386	303.02
FRAME LEVEL							
0160045250-,Including 42754,42762,42877,42911,43185,43220,43244,Excluding 45255							
2716563			I-U-14	2-1/4	4-1/2	JLG-8035326	292.82
-0160076614, incl. 0160076627 & 0160076629							
2716563			I-U-14	2-1/4	4-1/2	JLG-8035326	292.82
0160076614-; excl. 0160076627, 0160076629 & 0160076633							
1001180762			P-UB-14	60 mm	115 mm	JLG-70027696	215.63
-0160076614; incl. 0160076627, 0160076629 & 0160076633							
2716563			I-U-14	2-1/4	4-1/2	JLG-8035326	292.82
0160076614-0160076626; 0160076630-; incl. 0160076628; excl. 0160076627 & 0160076629							
1001180762			P-UB-14	60 mm	115 mm	JLG-70027696	215.63
FRAME SWAY							
0160005669-							
2716563			I-U-14	2-1/4	4-1/2	JLG-8035326	292.82
13198-19987,0160002332-4558							
2716563			I-U-14	2-1/4	4-1/2	JLG-8035326	292.82
13198-19987; 0160002332-0160004558							
2716563			I-U-14	2-1/4	4-1/2	JLG-8035326	292.82
FRAME TILT							
7115662; 2713853							
			I-U-10	2	4-1/2	JLG-8033747	42.20

JLG

Replacement Kits For



Telehandlers							
APPLICATION	CYL #	Misc-Parts, Instructions, etc.	CODE	ROD	BORE	KIT #	List \$
MODEL SKYTRAK 10042							
FRAME TILT							
-0266							
	7115662		I-U-10	2	4-1/2	JLG-8033747	42.20
0267-13197							
	2713853		I-U-10	2	4-1/2	JLG-8033747	42.20
GRAPPLE BUCKET							
0160045250-,Including 42754,42762,42877,42911,43185,43220,43244,Excluding 45255							
	70021393		I-U-10	1-1/4	2-1/2	JLG-70021452	15.90
0160045250-0160069718; incl. 0160042754, 0160042762, 0160042877, 0160042911, 0160043185, 0160043220 & 0160043244; excl. 0160045255, 0160065791, 016005796, 0160065825, 0160065826, 0160069336, 0160069359, 0160069441, 0160069566, 0160069567 & 0160069568							
	70021393		I-U-10	1-1/4	2-1/2	JLG-70021452	15.90
0160069722-; incl. 0160065791, 0160065796, 0160065825, 0160065826, 0160069336, 0160069359, 0160069441							
	70021393		I-U-10	1-1/4	2-1/2	JLG-70021452	15.90
13198-19987 & 0160002332-0160045249; incl. 0160045255; excl. 0160042754; 0160042762; 0160042877; 0160042911; 0160043185; 0160043220 & 0160043244							
	70021393		I-U-10	1-1/4	2-1/2	JLG-70021452	15.90
13198-19987,0160002332-45249 Including 45255,Excluding 42754,42762,42877,42911,43185,43220,43244							
	70021393		I-U-10	1-1/4	2-1/2	JLG-70021452	15.90
OUTRIGGER							
0160002940-							
	2717201		I-U-14	3	5	JLG-8036784	220.15
016002940-							
	2717201		I-U-14	3	5	JLG-8036784	220.15
0160045250-,Including 42754,42762,42877,42911,43185,43220,43244,Excluding 45255							
	2717201		I-U-14	3	5	JLG-8036784	220.15
0160045250-0160069718; incl. 0160042754, 0160042762, 0160042877, 0160042911, 0160043185, 0160043220 & 0160043244; excl. 0160045255, 0160065791, 016005796, 0160065825, 0160065826, 0160069336, 0160069359, 0160069441, 0160069566, 0160069567 & 0160069568							
	2717201		I-U-14	3	5	JLG-8036784	220.15
0160069722-; incl. 0160065791, 0160065796, 0160065825, 0160065826, 0160069336, 0160069359, 0160069441							
	2717201		I-U-14	3	5	JLG-8036784	220.15
10882-13197							
	2716163		I-U-15	3	5	JLG-8035732	279.35
-13197							
	2716163		I-U-10,14	3	5	JLG-8035519	295.97
13198-19987,0160002332-2914							
	2716163		I-U-10,14	3	5	JLG-8035519	295.97
13198-19987; 0160002332-016002914							
	2716163		I-U-10,14	3	5	JLG-8035519	295.97
SIDE SHIFT CARRIAGE							
0160045250-,Including 42754,42762,42877,42911,43185,43220,43244,Excluding 45255							
	70024539		I-U-13	25 mm	63 mm	JLG-70024549	98.59
0160045250-0160069718; incl. 0160042754, 0160042762, 0160042877, 0160042911, 0160043185, 0160043220 & 0160043244; excl. 0160045255, 0160065791, 016005796, 0160065825, 0160065826, 0160069336, 0160069359, 0160069441, 0160069566, 0160069567 & 0160069568							
	70024539		I-U-13	25 mm	63 mm	JLG-70024549	98.59
0160069722-; incl. 0160065791, 0160065796, 0160065825, 0160065826, 0160069336, 0160069359, 0160069441							
	70024539		I-U-13	25 mm	63 mm	JLG-70024549	98.59
13198-19987 & 0160002332-0160045249; incl. 0160045255; excl. 0160042754; 0160042762; 0160042877; 0160042911; 0160043185; 0160043220 & 0160043244							
	70024539		I-U-13	25 mm	63 mm	JLG-70024549	98.59
SIDE TILT CARRIAGE							
01600066474-							
	1001163414		P-U-14	45 mm	90 mm	JLG-70026062	194.53

JLG

Replacement Kits For



Telehandlers							
APPLICATION	CYL #	Misc-Parts, Instructions, etc.	CODE	ROD	BORE	KIT #	List \$
MODEL SKYTRAK 10042							
SIDE TILT CARRIAGE							
0160045250-, Including 42754, 42762, 42877, 42911, 43185, 43220, 43244, Excluding 45255							
1001090134			I-U-10	1-3/4	3-1/2	JLG-70022041	37.87
-0160066474							
1001090134			I-U-10	1-3/4	3-1/2	JLG-70022041	37.87
0160066474-							
1001163414			P-U-14	45 mm	90 mm	JLG-70026062	194.53
-13197							
2711613			I-U-10,14	1-3/4	4	JLG-8035831	147.38
13198-19987 & 0160002332-0160045249; incl. 0160045255; excl. 0160042754; 0160042762; 0160042877; 0160042911; 0160043185; 0160043220 & 0160043244							
1001090134			I-U-10	1-3/4	3-1/2	JLG-70022041	37.87
1001163414			P-U-14	45 mm	90 mm	JLG-70026062	194.53
13198-19987, 0160002332-45249 Including 45255, Excluding 42754, 42762, 42877, 42911, 43185, 43220, 43244							
1001090134			I-U-10	1-3/4	3-1/2	JLG-70022041	37.87
SLAVE							
2714973			I-U-5,14	1-3/4	4-1/4	JLG-8034695	225.30
0160004673-							
2714973			I-U-5,14	1-3/4	4-1/4	JLG-8034695	225.30
-13197							
2714973			I-U-5,14	1-3/4	4-1/4	JLG-8034695	225.30
13198-19987, 0160002332-3858							
2714973			I-U-5,14	1-3/4	4-1/4	JLG-8034695	225.30
13198-19987; 0160002332-0160003858							
2714973			I-U-5,14	1-3/4	4-1/4	JLG-8034695	225.30
STABILIZER							
2713333			I-U-10	2	4-1/2	JLG-8033747	42.20
-13197							
2713333			I-U-10	2	4-1/2	JLG-8033747	42.20
STABIL-TRAK							
0160045250-, Including 42754, 42762, 42877, 42911, 43185, 43220, 43244, Excluding 45255							
2717198			I-U-14	2-1/4	4-1/2	JLG-8036747	203.58
0160045250-0160069718; incl. 0160042754, 0160042762, 0160042877, 0160042911, 0160043185, 0160043220 & 0160043244; excl. 0160045255, 0160065791, 016005796, 0160065825, 0160065826, 0160069336, 0160069359, 0160069441, 0160069566, 0160069567 & 0160069568							
2717198			I-U-14	2-1/4	4-1/2	JLG-8036747	203.58
0160069722-; incl. 0160065791, 0160065796, 0160065825, 0160065826, 0160069336, 0160069359, 0160069441							
2717198			I-U-14	2-1/4	4-1/2	JLG-8036747	203.58
13198-19241							
2716564			I-U-14	2-1/4	4-1/2	JLG-8035326	292.82
19242-19987, 0160002332-							
2717198			I-U-14	2-1/4	4-1/2	JLG-8036747	203.58
19242-19987; 0160002332-							
2717198			I-U-14	2-1/4	4-1/2	JLG-8036747	203.58
STEERING							
0160038967-, Excluding 38971, 38984; 0160045250-, Including 42754, 42762, 42877, 42911, 43185, 43220, 43244, Excluding 45255							
70022173			I-U-10	50 mm	100 mm	JLG-70022178	184.40
-1167							
	Cyl No not avail		I-U-10	1-1/8	2-1/2	JLG-8033801	93.47
-1168							
8034684			I-U-10	1-1/8	2-1/2	JLG-8033801	93.47
1168-							
8034684			P-U-10	1-1/8	2-1/2	JLG-8034691	96.26
1168-13197							
8034684			P-U-10	1-1/8	2-1/2	JLG-8034691	96.26

JLG

Replacement Kits For



Telehandlers							
APPLICATION	CYL #	Misc-Parts, Instructions, etc.	CODE	ROD	BORE	KIT #	List \$
MODEL SKYTRAK 10042							
STEERING FRONT							
-0160038966,Including 38971,38984; AXLE -1285171							
1321149			I-U-10	50 mm	100 mm	JLG-8035981	222.27
-0160038966,Including 38971,38984; AXLE 1285172-							
70021617			I-U-10	50 mm	100 mm	JLG-70021495	225.86
STEERING REAR							
-0160038966,Including 38971,38984; AXLE -949493							
1321149			I-U-10	50 mm	100 mm	JLG-8035981	222.27
-0160038966,Including 38971,38984; AXLE 949494-							
70021617			I-U-10	50 mm	100 mm	JLG-70021495	225.86
SWING							
2713363			I-U-10	1-1/2	3-1/2	JLG-70028988	42.11
SWING CARRIAGE							
0160045250-,Including 42754,42762,42877,42911,43185,43220,43244,Excluding 45255							
1001103182			I-U-10	1-1/2	3-1/2	JLG-2915023	54.99
0160045250-0160069718; incl. 0160042754, 0160042762, 0160042877, 0160042911, 0160043185, 0160043220 & 0160043244; excl. 0160045255, 0160065791, 016005796, 0160065825, 0160065826, 0160069336, 0160069359, 0160069441, 0160069566, 0160069567 & 0160069568							
1001103182			I-U-10	1-1/2	3-1/2	JLG-2915023	54.99
0160069722-; incl. 0160065791, 0160065796, 0160065825, 0160065826, 0160069336, 0160069359, 0160069441							
1001103182			I-U-10	1-1/2	3-1/2	JLG-2915023	54.99
-13197							
2713363			I-U-10	1-1/2	3-1/2	JLG-8035830	66.54
13198-19987 & 0160002332-0160045249; incl. 0160045255; excl. 0160042754; 0160042762; 0160042877; 0160042911; 0160043185; 0160043220 & 0160043244							
1001103182			I-U-10	1-1/2	3-1/2	JLG-2915023	54.99
13198-19987,0160002332-45249 Including 45255,Excluding 42754,42762,42877,42911,43185,43220,43244							
1001103182			I-U-10	1-1/2	3-1/2	JLG-2915023	54.99
TILT							
2711613			I-U-14	1-3/4	4	JLG-70028986	96.94
2712973			I-U-4,14	2-1/2	6	JLG-8035780	335.85
0160004673-							
2716618			I-U-4,14	2-1/2	6	JLG-8035780	335.85
0160045250-0160069718; incl. 0160042754, 0160042762, 0160042877, 0160042911, 0160043185, 0160043220 & 0160043244; excl. 0160045255, 0160065791, 016005796, 0160065825, 0160065826, 0160069336, 0160069359, 0160069441, 0160069566, 0160069567 & 0160069568							
2716618			I-U-4,14	2-1/2	6	JLG-8035780	335.85
-0160078728							
2716618			I-U-4,14	2-1/2	6	JLG-8035780	335.85
13198-19788							
2716618			I-U-4,14	2-1/2	6	JLG-8035780	335.85
TILT COMPENSATING (Slave)							
0160045250-0160069718; incl. 0160042754, 0160042762, 0160042877, 0160042911, 0160043185, 0160043220 & 0160043244; excl. 0160045255, 0160065791, 016005796, 0160065825, 0160065826, 0160069336, 0160069359, 0160069441, 0160069566, 0160069567 & 0160069568							
2714973			I-U-5,14	1-3/4	4-1/4	JLG-8034695	225.30
0160069722-; incl. 0160065791, 0160065796, 0160065825, 0160065826, 0160069336, 0160069359, 0160069441							
1001189596			I-U-5,14	1-3/4	4-1/4	JLG-8034695	225.30
TILT COMPENSATION							
0160045250-,Including 42754,42762,42877,42911,43185,43220,43244,Excluding 45255							
2714973			I-U-5,14	1-3/4	4-1/4	JLG-8034695	225.30
MODEL SKYTRAK 10054							
ATTACHMENT TILT							
2712973			I-U-4,14	2-1/2	6	JLG-8035780	335.85
0160006120-							
2716618			I-U-4,14	2-1/2	6	JLG-8035780	335.85

JLG

Replacement Kits For



Telehandlers							
APPLICATION	CYL #	Misc-Parts, Instructions, etc.	CODE	ROD	BORE	KIT #	List \$
MODEL SKYTRAK 10054							
ATTACHMENT TILT							
0160045250-,Including 42754,42762,42877,42911,43185,43220,43244,Excluding 45255							
2716618			I-U-4,14	2-1/2	6	JLG-8035780	335.85
0160045250-160069718; incl. 0160042754, 0160042762, 0160042877, 0160042911, 0160043185, 0160043220 & 0160043244; excl. 0160045255, 0160065791, 016005796, 0160065825, 0160065826, 0160069336, 0160069359, 0160069441, 0160069566, 0160069567 & 0160069568							
2716618			I-U-4,14	2-1/2	6	JLG-8035780	335.85
0160069722-; incl. 0160065791, 0160065796, 0160065825, 0160065826, 0160069336, 0160069359, 0160069441							
1001163414			P-U-14	45 mm	90 mm	JLG-70026062	194.53
-0160078728							
2716618			I-U-4,14	2-1/2	6	JLG-8035780	335.85
-13197							
2712973			I-U-4,14	2-1/2	6	JLG-8035780	335.85
13198-19745							
2716618			I-U-4,14	2-1/2	6	JLG-8035780	335.85
19746-19987,0160002332-6099							
2717203			I-U-14	2-1/2	6	JLG-8036786	211.66
19746-19987; 0160002332-0160006099							
2717203			I-U-14	2-1/2	6	JLG-8036786	211.66
BOOM EXTEND							
1001156009							
2716173			I-UB-10,14	3	5	JLG-70028961	297.70
0160045250-,Including 42754,42762,42877,42911,43185,43220,43244,Excluding 45255							
2716173			I-UB-10,14	3	5	JLG-8036295	297.70
0160045250-160069718; incl. 0160042754, 0160042762, 0160042877, 0160042911, 0160043185, 0160043220 & 0160043244; excl. 0160045255, 0160065791, 016005796, 0160065825, 0160065826, 0160069336, 0160069359, 0160069441, 0160069566, 0160069567 & 0160069568							
2716173			I-UB-10,14	3	5	JLG-8036295	297.70
-13197							
2716173			I-UB-10,14	3	5	JLG-8036295	297.70
13198-19987 & 0160002332-0160045249; incl. 0160045255; excl. 0160042754; 0160042762; 0160042877, 0160042911, 0160043185, 0160043220 & 0160043244							
2717052			I-UB-10,14	3	5	JLG-8036295	297.70
13198-19987,0160002332-							
2716173			I-UB-10,14	3	5	JLG-8036295	297.70
13198-19987; 0160002332-							
2716173			I-UB-10,14	3	5	JLG-8036295	297.70
BOOM LIFT							
1001156255							
2717259			I-U-14	3	6	JLG-8036746	241.25
0160004667-0160015024							
2717259			I-U-14	3	6	JLG-8036746	241.25
0160004667-15024							
2717259			I-U-14	3	6	JLG-8036746	241.25
0160015044-160030712							
1684448			I-U-14	3	6	JLG-8036746	241.25
0160015044-30712							
1684448			I-U-14	3	6	JLG-8036746	241.25
0160030719-							
2716617			I-U-10,14	3	6	JLG-8035386	303.02
0160045250-,Including 42754,42762,42877,42911,43185,43220,43244,Excluding 45255							
2716617			I-U-10,14	3	6	JLG-8035386	303.02
0160045250-160069718; incl. 0160042754, 0160042762, 0160042877, 0160042911, 0160043185, 0160043220 & 0160043244; excl. 0160045255, 0160065791, 016005796, 0160065825, 0160065826, 0160069336, 0160069359, 0160069441, 0160069566, 0160069567 & 0160069568							
2716617			I-U-10,14	3	6	JLG-8035386	303.02

JLG

JLG

Replacement Kits For

Telehandlers							
APPLICATION	CYL #	Misc-Parts, Instructions, etc.	CODE	ROD	BORE	KIT #	List \$
MODEL SKYTRAK 10054							
BOOM LIFT							
-13197							
2714993			I-U-10	3	6	JLG-8033731	58.64
13198-19113							
2716617			I-U-10,14	3	6	JLG-8035386	303.02
19114-19987,0160002332-4654							
2717199			I-U-14	3	6	JLG-8036746	241.25
19114-19987; 0160002332-0160004654							
2717199			I-U-14	3	6	JLG-8036746	241.25
-5819; 5819-13197							
2714993			I-U-10,14	3	6	JLG-8035386	303.02
FRAME LEVEL							
0160045250-,Including 42754,42762,42877,42911,43185,43220,43244,Excluding 45255							
2716563			I-U-14	2-1/4	4-1/2	JLG-8035326	292.82
0160076614-, excl. 0160076627, 0160076629 & 0160076633							
1001180762			P-UB-14	60 mm	115 mm	JLG-70027696	215.63
-0160076614; incl. 0160076627 & 0160076629							
2716563			I-U-14	2-1/4	4-1/2	JLG-8035326	292.82
-0160076614; incl. 0160076627, 0160076629 & 0160076633							
2716563			I-U-14	2-1/4	4-1/2	JLG-8035326	292.82
0160076614-0160076626; 0160076630-, incl. 0160076628; excl. 0160076627 & 0160076629							
1001180762			P-UB-14	60 mm	115 mm	JLG-70027696	215.63
FRAME SWAY							
0160005697-							
2716563			I-U-14	2-1/4	4-1/2	JLG-8035326	292.82
13198-19987,0160002332-4654							
2716563			I-U-14	2-1/4	4-1/2	JLG-8035326	292.82
13198-19987; 0160002332-0160004654							
2716563			I-U-14	2-1/4	4-1/2	JLG-8035326	292.82
FRAME TILT							
7115662; 2713853							
			I-U-10	2	4-1/2	JLG-8033747	42.20
-0266							
7115662			I-U-10	2	4-1/2	JLG-8033747	42.20
0267-13197							
2713853			I-U-10	2	4-1/2	JLG-8033747	42.20
GRAPPLE BUCKET							
0160045250-,Including 42754,42762,42877,42911,43185,43220,43244,Excluding 45255							
70021393			I-U-10	1-1/4	2-1/2	JLG-70021452	15.90
0160045250-160069718; incl. 0160042754, 0160042762, 0160042877, 0160042911, 0160043185, 0160043220 & 0160043244; excl. 0160045255, 0160065791, 016005796, 0160065825, 0160065826, 0160069336, 0160069359, 0160069441, 0160069566, 0160069567 & 0160069568							
70021393			I-U-10	1-1/4	2-1/2	JLG-70021452	15.90
0160069722-, incl. 0160065791, 0160065796, 0160065825, 0160065826, 0160069336, 0160069359, 0160069441							
70021393			I-U-10	1-1/4	2-1/2	JLG-70021452	15.90
13198-19987 & 0160002332-0160045249; incl. 0160045255; excl. 0160042754; 0160042762; 0160042877, 0160042911, 0160043185, 0160043220 & 0160043244							
70021393			I-U-10	1-1/4	2-1/2	JLG-70021452	15.90
13198-19987,0160002332-45249 Including 45255,Excluding 42754,42762,42877,42911,43185,43220,43244							
70021393			I-U-10	1-1/4	2-1/2	JLG-70021452	15.90
OUTRIGGER							
0160002940-							
2717201			I-U-14	3	5	JLG-8036784	220.15
0160045250-,Including 42754,42762,42877,42911,43185,43220,43244,Excluding 45255							
2717201			I-U-14	3	5	JLG-8036784	220.15

JLG

Telehandlers							
APPLICATION	CYL #	Misc-Parts, Instructions, etc.	CODE	ROD	BORE	KIT #	List \$
MODEL SKYTRAK 10054							
OUTRIGGER							
0160045250-160069718; incl. 0160042754, 0160042762, 0160042877, 0160042911, 0160043185, 0160043220 & 0160043244; excl. 0160045255, 0160065791, 016005796, 0160065825, 0160065826, 0160069336, 0160069359, 0160069441, 0160069566, 0160069567 & 0160069568							
2717201			I-U-14	3	5	JLG-8036784	220.15
0160069722-; incl. 0160065791, 0160065796, 0160065825, 0160065826, 0160069336, 0160069359, 0160069441							
2717201			I-U-14	3	5	JLG-8036784	220.15
10882-13197							
2716163			I-U-15	3	5	JLG-8035732	279.35
-13197							
2716163			I-U-10,14	3	5	JLG-8035519	295.97
13198-19987,0160002332-2914							
2716163			I-U-10,14	3	5	JLG-8035519	295.97
13198-19987; 0160002332-016002914							
2716163			I-U-10,14	3	5	JLG-8035519	295.97
SIDE SHIFT CARRIAGE							
0160045250-,Including 42754,42762,42877,42911,43185,43220,43244,Excluding 45255							
70024539			I-U-13	25 mm	63 mm	JLG-70024549	98.59
0160045250-160069718; incl. 0160042754, 0160042762, 0160042877, 0160042911, 0160043185, 0160043220 & 0160043244; excl. 0160045255, 0160065791, 016005796, 0160065825, 0160065826, 0160069336, 0160069359, 0160069441, 0160069566, 0160069567 & 0160069568							
70024539			I-U-13	25 mm	63 mm	JLG-70024549	98.59
0160069722-; incl. 0160065791, 0160065796, 0160065825, 0160065826, 0160069336, 0160069359, 0160069441							
70024539			I-U-13	25 mm	63 mm	JLG-70024549	98.59
13198-19987 & 0160002332-0160045249; incl. 0160045255; excl. 0160042754; 0160042762; 0160042877, 0160042911, 0160043185, 0160043220 & 0160043244							
70024539			I-U-13	25 mm	63 mm	JLG-70024549	98.59
SIDE TILT CARRIAGE							
0160045250-,Including 42754,42762,42877,42911,43185,43220,43244,Excluding 45255							
1001090134			I-U-10	1-3/4	3-1/2	JLG-70022041	37.87
-0160066474							
1001090134			I-U-10	1-3/4	3-1/2	JLG-70022041	37.87
0160066474-							
1001163414			P-U-14	45 mm	90 mm	JLG-70026062	194.53
-13197							
2711613			I-U-10,14	1-3/4	4	JLG-8035831	147.38
13198-19987 & 0160002332-0160045249; incl. 0160045255; excl. 0160042754; 0160042762; 0160042877, 0160042911, 0160043185, 0160043220 & 0160043244							
1001090134			I-U-10	1-3/4	3-1/2	JLG-70022041	37.87
1001163414			P-U-14	45 mm	90 mm	JLG-70026062	194.53
13198-19987,0160002332-45249 Including 45255,Excluding 42754,42762,42877,42911,43185,43220,43244							
1001090134			I-U-10	1-3/4	3-1/2	JLG-70022041	37.87
SLAVE							
2714973			I-U-5,14	1-3/4	4-1/4	JLG-8034695	225.30
0160004676-							
2714973			I-U-5,14	1-3/4	4-1/4	JLG-8034695	225.30
-13197							
2714973			I-U-5,14	1-3/4	4-1/4	JLG-8034695	225.30
13198-19987,0160002332-3864							
2714973			I-U-5,14	1-3/4	4-1/4	JLG-8034695	225.30
13198-19987; 0160002332-0160003864							
2714973			I-U-5,14	1-3/4	4-1/4	JLG-8034695	225.30
STABILIZER							
2713333			I-U-10	2	4-1/2	JLG-8033747	42.20
-13197							
2713333			I-U-10	2	4-1/2	JLG-8033747	42.20

JLG

Replacement Kits For



Telehandlers							
APPLICATION	CYL #	Misc-Parts, Instructions, etc.	CODE	ROD	BORE	KIT #	List \$
MODEL SKYTRAK 10054							
STABILIZER							
13198-19113							
	2716564		I-U-14	2-1/4	4-1/2	JLG-8035326	292.82
STABIL-TRAK							
0160045250-,Including 42754,42762,42877,42911,43185,43220,43244,Excluding 45255							
	2717198		I-U-14	2-1/4	4-1/2	JLG-8036747	203.58
0160045250-160069718; incl. 0160042754, 0160042762, 0160042877, 0160042911, 0160043185, 0160043220 & 0160043244; excl. 0160045255, 0160065791, 016005796, 0160065825, 0160065826, 0160069336, 0160069359, 0160069441, 0160069566, 0160069567 & 0160069568							
	2717198		I-U-14	2-1/4	4-1/2	JLG-8036747	203.58
0160069722-; incl. 0160065791, 0160065796, 0160065825, 0160065826, 0160069336, 0160069359, 0160069441							
	2717198		I-U-14	2-1/4	4-1/2	JLG-8036747	203.58
13198-19113							
	2716564		I-U-14	2-1/4	4-1/2	JLG-8035326	292.82
19114-19987;0160002332-							
	2717198		I-U-14	2-1/4	4-1/2	JLG-8036747	203.58
19114-19987; 0160002332-							
	2717198		I-U-14	2-1/4	4-1/2	JLG-8036747	203.58
STEERING							
0160038967-,Excluding 38971,38984; 0160045250-,Including 42754,42762,42877,42911,43185,43220,43244,Excluding 45255							
	70022173		I-U-10	50 mm	100 mm	JLG-70022178	184.40
-1167							
		Cyl No not avail	I-U-10	1-1/8	2-1/2	JLG-8033801	93.47
1168-							
	8034684		P-U-10	1-1/8	2-1/2	JLG-8034691	96.26
1168-13197							
	8034684		P-U-10	1-1/8	2-1/2	JLG-8034691	96.26
STEERING FRONT							
-0160038966,Including 38971,38984; AXLE -1285171							
	1321149		I-U-10	50 mm	100 mm	JLG-8035981	222.27
-0160038966,Including 38971,38984; AXLE 1285172-							
	70021617		I-U-10	50 mm	100 mm	JLG-70021495	225.86
STEERING REAR							
-0160038966,Including 38971,38984; AXLE -949493							
	1321149		I-U-10	50 mm	100 mm	JLG-8035981	222.27
-0160038966,Including 38971,38984; AXLE 949494-							
	70021617		I-U-10	50 mm	100 mm	JLG-70021495	225.86
SWING							
	2713363		I-U-10	1-1/2	3-1/2	JLG-70028988	42.11
SWING CARRIAGE							
0160045250-,Including 42754,42762,42877,42911,43185,43220,43244,Excluding 45255							
	1001103182		I-U-10	1-1/2	3-1/2	JLG-2915023	54.99
0160045250-160069718; incl. 0160042754, 0160042762, 0160042877, 0160042911, 0160043185, 0160043220 & 0160043244; excl. 0160045255, 0160065791, 016005796, 0160065825, 0160065826, 0160069336, 0160069359, 0160069441, 0160069566, 0160069567 & 0160069568							
	1001103182		I-U-10	1-1/2	3-1/2	JLG-2915023	54.99
0160069722-; incl. 0160065791, 0160065796, 0160065825, 0160065826, 0160069336, 0160069359, 0160069441							
	1001103182		I-U-10	1-1/2	3-1/2	JLG-2915023	54.99
-13197							
	2713363		I-U-10	1-1/2	3-1/2	JLG-8035830	66.54
13198-19987 & 0160002332-0160045249; incl. 0160045255; excl. 0160042754; 0160042762; 0160042877, 0160042911, 0160043185, 0160043220 & 0160043244							
	1001103182		I-U-10	1-1/2	3-1/2	JLG-2915023	54.99
13198-19987,0160002332-45249 Including 45255,Excluding 42754,42762,42877,42911,43185,43220,43244							
	1001103182		I-U-10	1-1/2	3-1/2	JLG-2915023	54.99

JLG

Replacement Kits For



Telehandlers							
APPLICATION	CYL #	Misc-Parts, Instructions, etc.	CODE	ROD	BORE	KIT #	List \$
MODEL SKYTRAK 10054							
TILT							
	2711613		I-U-14	1-3/4	4	JLG-70028986	96.94
0160078728-							
	1001180763		I-U-10	2-1/2	6	JLG-70028408	160.88
TILT COMPENSATING (Slave)							
0160045250-160069718; incl. 0160042754, 0160042762, 0160042877, 0160042911, 0160043185, 0160043220 & 0160043244; excl. 0160045255, 0160065791, 016005796, 0160065825, 0160065826, 0160069336, 0160069359, 0160069441, 0160069566, 0160069567 & 0160069568							
	2714973		I-U-5,14	1-3/4	4-1/4	JLG-8034695	225.30
-0160078728							
	2714973		I-U-5,14	1-3/4	4-1/4	JLG-8034695	225.30
0160078728-							
	1001180761		I-U-10	45 mm	110 mm	JLG-70027857	101.13
TILT COMPENSATION							
0160045250-,Including 42754,42762,42877,42911,43185,43220,43244,Excluding 45255							
	2714973		I-U-5,14	1-3/4	4-1/4	JLG-8034695	225.30

REPLACEMENT PARTS FOR JLG INDUSTRIES

OIL SEALS

Part Number	List Price
JLG-70001739	\$204.02
JLG-70022217	45.91
JLG-70025857	105.23
JLG-70026002	149.12
JLG-7028721	117.17
JLG-80304173	124.33
JLG-8036754	197.94
JLG-91514147	24.18

PISTON SEALS

Part Number	List Price
JLG-70025821	\$9.98
JLG-70025822	7.32
JLG-70026262	1.64
JLG-70026748	15.31
JLG-70026754	4.43
JLG-70026755	11.23
JLG-91474288	11.76

ORINGS

Part Number	Min. Pkg Qty	List Price
JLG-91514148	20	\$1.19
JLG-91514181	1	5.39

REPLACEMENT KITS FOR JLG INDUSTRIES

Kit Number	Code (Pg. 14)	Rod X Bore Size	List Price	Kit Number	Code (Pg. 14)	Rod X Bore Size	List Price
JLG-1001121434-NG	P-UB-14	3-1/2 X 6	\$ 260.41	JLG-2900109	P-U-11	1 X 3	\$42.36
JLG-1001115617	P-U-14	3 X 4	113.11	JLG-2900109M	P-U-13	1 X 3	45.30
JLG-1001162126	P-UB-14	75 mm X 150 mm	274.42	JLG-2900110	P-U-11	1-1/2 X 4	56.85
JLG-1001162144	P-UB-14	75 mm X 160 mm	232.43	JLG-2900111	P-U-11	1-1/4 X 3	45.41
JLG-1001162168	P-UB-14	75 mm X 120 mm	263.81	JLG-2900111M	P-U-13	1-1/4 X 3	46.12
JLG-1001163542	P-UB-14	3 X 4-3/4	210.26	JLG-2900112	I-U-10, 12	2 X 5	139.80
JLG-1001164313	P-U-14	2 X 3	117.17	JLG-2900113	I-U-10, 12	3-1/2 X 9	296.22
JLG-1001118241	P-U-14	1-3/4 X 3	93.02	JLG-2900114	P-V-1	3-1/2 X 8	123.22
JLG-1001122496	P-UB-14	3 X 4-3/4	220.94	JLG-2900119	I,P,U-11	1-1/4 X 3	56.47
JLG-1001125160	P-UB-14	3-1/2 X 5-1/2	309.14	JLG-2900120	PUMP SEAL KIT		304.16
JLG-1001138795	P-U-9	1-1/2 X 3	169.43	JLG-2900123	P-U-11	2 X 4	85.40
JLG-1001138796	P-U-9	1-1/2 X 3-1/2	232.88	JLG-2900124	I-U-11	1 X 2	28.08
JLG-1001152279	P-UB-14	3 X 4-3/4	267.10	JLG-2900125	I-U-11	2 X 3	40.22
JLG-1001152299	P-UB-14	3-1/2 X 6	256.64	JLG-2900126	P-U-11	1-1/4 X 3	45.53
JLG-1001163541	P-UB-14	3-1/2 X 6	215.60	JLG-2900127	N-N-11	5-7/8" SWIVEL KIT	370.94
JLG-1001163543	P-UB-14	3-1/2 X 5-1/2	218.09	JLG-2900142	P-U-11	2-1/2 X 6	117.99
JLG-1001174325	P-U-9	4 X 9	796.76	JLG-2900156	I-U-11	1 X 2	28.08
JLG-1001175774	P-UB-14	3 X 4-3/4	220.94	JLG-2900157	I-U-11	2-1/2 X 4	72.57
JLG-10011775771-NG	P-UB-14	3-1/2 X 6	260.41	JLG-2900158	VALVE KIT		62.36
JLG-1001181694	P-U-14	3 X 4	133.29	JLG-2900166	P-U-11	1-1/4 X 2	38.66
JLG-10730652	P-U-10	3 X 5	125.25	JLG-2900168	MOTOR KIT		43.93
JLG-10730680	P-U-10	3 X 4-1/2	231.45	JLG-2900173	P-U-11	2 X 4	80.32
JLG-10731334	I-U-10	1-1/8 X 2-1/4	98.55	JLG-2900175	I-OB-2	1/2 X 1	32.38
JLG-10732314	P-U-10	1-3/4 X 3-1/2	66.62	JLG-2900184	N-U-10, 12	2 X 3	68.46
JLG-1102019	P-U-11	2-1/2 X 3-1/2	122.56	JLG-2900188	P-O-11	3/4 X 2	30.11
JLG-226542GT	15K ROTATOR SEAL KIT		233.56	JLG-2900197	P-U-11	2 X 3	70.49
JLG-2900003	N-N-11	5" SWIVEL KIT	344.26	JLG-2900202	Drive Hub Kit		213.35
JLG-2900005	P-V-1	2 X 3	83.78	JLG-2900203	I-U-11	3 X 4	65.99
JLG-2900006	P-V-11	2 X 5	95.81	JLG-2900208	I-U-11	2 X 3	55.44
JLG-2900007	I-U, V-11	1 X 3	72.57	JLG-2900209	I-U-11	2 X 5	90.88
JLG-2900008	P-V-11	1 X 3	60.71	JLG-2900242	P-O-11	3/4 X 2	42.48
JLG-2900009	P-V-11	2 X 4	93.01	JLG-2900292	P-U-11	2-1/2 X 6	110.78
JLG-2900010	P-V-11	2-1/2 X 6	143.95	JLG-2900293	I-U-11	3 X 5	108.50
JLG-2900088	P-U-8	3 X 7	631.56	JLG-2900295	I-U-10	1-1/4 X 3	51.68
JLG-2900094	P-U-10	2 X 3	138.40	JLG-2900338	P-U-1	3-1/2 X 8	411.27
JLG-2900095	P-U-10	1-1/4 X 2-1/2	107.36	JLG-2900344	P-U-10	1 X 2 DOUBLE ROD	132.84
JLG-2900099	I-U-11	1-1/4 X 2-1/4	40.78	JLG-2900347	P-U-1	2 X 3	190.60
JLG-2900100	I-U-10, 12	2 X 6	186.14	JLG-2900348	P-U-10	1-1/4 X 3	148.53
JLG-2900101	P-V-11	1 X 2	55.66	JLG-2900350	P-U-11	2 X 3	79.58
JLG-2900102	P-V-11	2 X 3	70.42	JLG-2900351	I-U-10	1-1/2 X 3	103.35
JLG-2900103	P-V-11	1-1/4 X 3	63.52	JLG-2900352	P-U-10	1-1/4 X 2-1/2	123.45
JLG-2900104	I-U-11	1 X 3	32.62	JLG-2900357	P-U-10	2 X 3	117.84
JLG-2900107	P-V-11	1-1/2 X 4	82.77	JLG-2900364	P-U-10	1-1/4 X 3	76.58
JLG-2900108	I-U-10, 12	3-1/2 X 8	240.29	JLG-2900367	P-U-11	1-1/4 X 3	107.42

FORMERLY LISTED REPAIR PARTS ARE AVAILABLE ONLINE AT WWW.HERCULESUS.COM
OR BY CONTACTING YOUR REGIONAL HERCULES SALES TEAM.

REPLACEMENT KITS FOR JLG INDUSTRIES

JLG

Kit Number	Code (Pg. 14)	Rod X Bore Size	List Price
JLG-2900368	P-U-11	2 X 3	\$251.80
JLG-2900379	P-U-8	1-1/4 X 3	161.88
JLG-2900381	P-U-11	1-1/4 X 2-1/2	58.56
JLG-2900398	P-U-11	1-1/2 X 2-1/2	148.14
JLG-2900400	O-RING KIT		6.07
JLG-2900408	I-U-11	1 X 2	34.06
JLG-2900409	2-1/2, 3-1/2 STAGES		51.76
JLG-2900412	2-1/2, 3-1/2, 4-5/8 STAGES		99.53
JLG-2900426	P-U-11	1-1/4 X 3	70.42
JLG-2900427	1-5/8" SWIVEL KIT		24.91
JLG-2900429	P-U-11	1-1/2 X 2-1/2	54.89
JLG-2900431	P-U-11	2 X 4	62.28
JLG-2900432	P-U-11	2 X 3	78.34
JLG-2900432M	P-U-13	2 X 3	66.76
JLG-2900454	P-U-11	1-1/2 X 4	56.78
JLG-2900469	P-U-11	2 X 5	90.72
JLG-2900473	I-U-10, 12	4 X 5-1/2	189.56
JLG-2900485	P-U-10	3/4 X 2	51.98
JLG-2900499	2-1/2, 3-1/2, 4-5/8 STAGES		152.56
JLG-2900511	2-1/2, 3-1/2 STAGES		90.43
JLG-2900578	I-U-11	1-1/4 X 2	42.48
JLG-2900579	P-U-9	2-1/2 X 5	371.79
JLG-2900683	O-RING KIT		8.46
JLG-2900700	P-OB-3	1-1/8 X 2	20.11
JLG-2900701	N-OB-13	1 X 1-1/2	18.33
JLG-2900770	Valve Kit		6.84
JLG-2900792	Valve Kit		14.09
JLG-2901007	I-U-10	2 X 3-1/2	49.90
JLG-2901009	O-RING KIT		12.85
JLG-2901034	I-OB-3	1-1/2 X 3-1/2	18.41
JLG-2901103	P-U-11	1-1/2 X 4	236.70
JLG-2901105	P-U-11	2-1/2 X 6	125.80
JLG-2901115	P-U-10	3 X 5	116.15
JLG-2901119	P-U-11	1-1/4 X 2-1/2	52.91
JLG-2901127	P-U-13	1 X 3	45.30
JLG-2901133	P-U-13	1-1/4 X 3	46.12
JLG-2901138	P-U-13	1-1/2 X 4	55.90
JLG-2901146	5" SWIVEL KIT		246.61
JLG-2901147	P-U-11	1 X 2	78.37
JLG-2901178	P-U-11	1-1/4 X 2	64.76
JLG-2901180	P-U-9	2-3/4 X 3-1/2	346.15
JLG-2901271	P-U-11	1-1/2 X 4	74.19
JLG-2901273	P-U-9	2-1/2 X 4	178.60
JLG-2901284	P-U-14	2-1/2 X 3-1/2	157.26

Kit Number	Code (Pg. 14)	Rod X Bore Size	List Price
JLG-2901285	P-U-8	3 X 6	\$201.20
JLG-2901301	P-U-8	1-1/2 X 3-1/2	159.90
JLG-2901303	P-U-8	1-1/2 X 3	109.32
JLG-2901321	P-U-11	2-1/2 X 3-1/2	61.95
JLG-2901322	P-U-9	2-1/2 X 6-1/2	322.51
JLG-2901514	P-U-12,14	3-1/2 X 8	367.28
JLG-2901526	P-U-9	3-1/2 X 8	453.03
JLG-2901537	P-U-8	3 X 8	295.73
JLG-2901543	P-U-9	1-1/4 X 4	211.49
JLG-2901547	P-U-11	1-3/4 X 2-1/2	65.72
JLG-2901548	P-U-11	1-3/4 X 2-1/2	44.76
JLG-2901549	P-U-14	1-1/4 X 2-1/2	94.60
JLG-2901554	P-U-14	3 X 4	115.84
JLG-2901773	P-U-14	2 X 3-1/2	101.22
JLG-2901776	P-U-8	1-1/4 X 3	129.26
JLG-2901804	P-U-14	1-3/4 X 3	125.82
JLG-2901806	P-U-14	2-1/4 X 4	172.14
JLG-2901810	P-U-14	1-1/2 X 2-1/2	121.14
JLG-2901841	P-U-14	2-1/2 X 5	181.67
JLG-2901861	P-U-14	2 X 3	91.40
JLG-2901898	P-U-14	1-1/4 X 3	196.05
JLG-2902044	P-U-14	2-1/2 X 5	143.21
JLG-2902061	P-U-8	1-1/2 X 4	141.64
JLG-2902073	P-U-14	1-1/4 X 2	174.59
JLG-2902081	P-U-14	4 X 5	349.39
JLG-2902087	P-U-8	2 X 5	365.06
JLG-2902092	P-U-14	1-1/2 X 3	105.25
JLG-2902257	P-U-11	1-3/4 X 4	66.57
JLG-2902266	P-U-1	3-1/2	68.24
JLG-2902409	P-U-11	1-3/4 X 2-1/2	73.31
JLG-2915023	I-U-10	1-1/2 X 3-1/2	54.99
JLG-70001248	SWIVEL KIT	SWIVEL KIT	249.56
JLG-70001380	Rotary Kit	3.370	39.98
JLG-70001499	Filter Seal Kit		61.40
JLG-70002332	P-U-15	45 mm X 75 mm	125.82
JLG-70002341	P-U-15	50 mm X 90 mm	106.46
JLG-70002350	P-U-15	32 mm X 75 mm	69.50
JLG-70002370	P-U-12,15	40 mm X 63 mm	227.18
JLG-70002751	I-U-10	38 mm X 75 mm	146.22
JLG-70002757	I-U-10	32 X 63 mm	68.78
JLG-7000312	1-1/2" PISTON KIT		35.40
JLG-70003836	P-U-14	36 mm X 63 mm	97.17
JLG-70003842	P-U-14	40 mm X 75 mm	150.06
JLG-70003859	P-U-14	40 mm X 100 mm	226.81

REPLACEMENT KITS FOR JLG INDUSTRIES

Kit Number	Code (Pg. 14)	Rod X Bore Size	List Price
JLG-70004128	P-U-14	40 mm X 90 mm	\$180.61
JLG-70005321	Drive Hub Kit		397.98
JLG-7001625	I-U-10	1-1/4 X 2-1/2	68.37
JLG-70020432	P-UB-14	2-5/8 X 3-1/4	187.58
JLG-70021452	I-U-10	1-1/4 X 2-1/2	15.90
JLG-70021453	I,P-U-10	1-1/2 X 3	55.13
JLG-70021495	I-U-10	50 X 100 mm	225.86
JLG-70021548	P-UB-4,14	2-1/2 X 6	247.36
JLG-70021574	P-UB-14	2-1/2 X 5-3/4	516.58
JLG-70021598	P-UB-14	3 X 4-3/4	324.50
JLG-70021632	P-UB-14	3-1/2 X 5-1/2	459.40
JLG-70021639	P-UB-14	2 X 4	237.66
JLG-70021641	P-UB-4,14	3-1/2 X 6	290.61
JLG-70021775	P-UB-14	2-5/8 X 3-1/4	242.52
JLG-70022041	I-U-10	1-3/4 X 3-1/2	37.87
JLG-70022061	P-UB-14	3-3/4 X 7	345.06
JLG-70022093	P-U-14	2-1/2 X 5-3/4	296.08
JLG-70022098	P-U-4,14	2-1/2 X 6	277.87
JLG-70022178	I-U-10	50 X 100 mm	184.40
JLG-70022858	P-UB-14	3 X 4	148.75
JLG-70022864	P-UB-14	2 X 4	191.07
JLG-70023387	P-UB-14	75 X 120 mm	182.06
JLG-70023393	P-UB-14	90 mm X 140 mm	186.73
JLG-70023397	P-UB-14	90 X 150 mm	173.15
JLG-70023899	I-U-10	2-1/2 X 5	120.78
JLG-70023943	P-UB-14	2 X 4	250.47
JLG-70023986	P-U-14	2-1/2 X 5-3/4	292.02
JLG-70023991	P-U-4,14	2-1/2 X 6	279.60
JLG-70024003	Valve Kit		36.23
JLG-70024012	P-UB-14	2-1/2 X 5-1/2	283.45
JLG-70024013	P-UB-14	2-1/2 X 5-1/2	259.34
JLG-70024217	P-UB-10	2-1/2 X 5	88.22
JLG-70024549	I-U-13	25 X 63 mm	98.59
JLG-7010543	Valve Kit		15.08
JLG-7011112	O-rings + Back-ups		40.68
JLG-7012693	Valve Kit		14.45
JLG-7012773	Valve Kit		57.10
JLG-7012903	Cartridge Kit		19.15
JLG-7012953	Cartridge Kit		9.45
JLG-7012998	O-rings + Back-ups		11.46
JLG-7013187	Swivel		162.45
JLG-7016342	Rotary Kit		152.24
JLG-7017157	N-TR-10	1-7/8 X 3-5/8	174.06
JLG-7017158	N-TR-5,11	2-1/8 X 3-1/2	244.60

Kit Number	Code (Pg. 14)	Rod X Bore Size	List Price
JLG-7017159	Misc		\$183.22
JLG-7017227	I-U-10	3/4 X 1-1/2	61.05
JLG-7017246	I-U-10	1-3/4 X 2-1/2	120.46
JLG-7017265	I-U-10	3/4 X 1-1/2	55.43
JLG-7017402	Cartridge Kit		23.00
JLG-7017496	Valve Kit		11.71
JLG-7019673	Fitting Kit		26.41
JLG-7019830	P-U-8	2 X 3	291.35
JLG-7021625	O-rings + Back-ups		38.11
JLG-7022399	O-rings + Back-ups		13.67
JLG-7024100	Hub Assembly Kit		38.98
JLG-7024102	I-U-10	2-1/4 X 3	48.63
JLG-7024744	Rotary Kit		172.58
JLG-7024748	Shaft Seal Kit		389.36
JLG-7024765	Brake Seal Kit		66.42
JLG-70026022	I-U-14	3-1/4 X 5	259.16
JLG-70026025	I-U-14	3 X 6	305.75
JLG-70026029	I-U-14	3-1/2 X 6	268.49
JLG-70026038	I-UB-10	3 X 5	187.07
JLG-70026043	I-UB-10	3-1/4 X 5	187.07
JLG-70026044	P-U-10	85 X 120	208.53
JLG-70026048	P-U-10	90 X 145	216.28
JLG-70026052	P-U-10	90 X 120	211.34
JLG-70026062	P-U-14	45 X 90	194.53
JLG-7026467	P-UB-14	3 X 4-3/4	381.51
JLG-7026475	P-UB-4,14	2-1/2 X 6	248.16
JLG-7026934	P-UB-14	2 X 4	263.36
JLG-7026944	P-UB-14	2-1/2 X 5-3/4	390.97
JLG-7026961	P-UB-14	3-1/2 X 5-1/2	459.56
JLG-7026969	P-UB-4,14	3-1/2 X 6	289.49
JLG-70027696	P-UB-14	60 X 115	215.63
JLG-70027704	I-U-14	75 X 115	133.56
JLG-70027857	I-U-10	45 X 110	101.13
JLG-70028159	I-U-14	1-1/2 X 3-3/4	101.29
JLG-70028408	I-U-10	2-1/2 X 6	160.88
JLG-7028739	I-U-14	1-1/2 X 3-3/4	104.47
JLG-70028953	I-U-4,14	2-1/2 X 6	227.38
JLG-70028954	I-U-10,14	3 X 6	189.48
JLG-70028955	I-UB-10	3 X 4-1/2	80.61
JLG-70028961	I-UB-10,14	3 X 5	297.70
JLG-70028981	I-U-14	1-3/4 X 4-1/4	150.94
JLG-70028986	I-U-14	1-3/4 X 4	96.94
JLG-70028988	I-U-10	1-1/2 X 3-1/2	42.11
JLG-7017215	I-U-10	1-1/2 X 3	86.66

FORMERLY LISTED REPAIR PARTS ARE AVAILABLE ONLINE AT WWW.HERCULESUS.COM
OR BY CONTACTING YOUR REGIONAL HERCULES SALES TEAM.

REPLACEMENT KITS FOR JLG INDUSTRIES

JLG

Kit Number	Code (Pg. 14)	Rod X Bore Size	List Price
JLG-7023559	I-U-10	35 mm X 60 mm	\$62.45
JLG-7029127	I-U-10	50 X 100 mm	128.33
JLG-7029527	I-U-10	45 mm X 90 mm	255.04
JLG-7029529	I-U-10	45 X 90 mm	122.52
JLG-7029959	N-N-10	5	21.89
JLG-7029980	P-UB-1	2-1/2	61.02
JLG-70045506	I-U-15	32 X 50 mm	118.75
JLG-8032718	I-U-10	3 X 5-1/2	53.68
JLG-8032730	I-U-10	2 X 115 mm	36.14
JLG-8033489	I-U-10	1-1/8 X 2-1/4	74.43
JLG-8033731	I-U-10	3 X 6	58.64
JLG-8033747	I-U-10	2 X 4-1/2	42.20
JLG-8033801	I-U-10	1-1/8 X 2-1/2	93.47
JLG-8034690	P-U-10	1-1/8 X 2-1/4	84.66
JLG-8034691	P-U-10	1-1/8 X 2-1/2	96.26
JLG-8034695	I-U-5,14	1-3/4 X 4-1/4	225.30
JLG-8034819	O-rings		156.62
JLG-8035326	I-U-14	2-1/4 X 4-1/2	292.82
JLG-8035327	Valve Kit		28.70
JLG-8035386	I-U-10,14	3 X 6	303.02
JLG-8035519	I-U-10,14	3 X 5	295.97
JLG-8035720	I-U-15,10,10	2 X 5	255.18
JLG-8035732	I-U-15	3 X 5	279.35
JLG-8035780	I-U-4,14	2-1/2 X 6	335.85
JLG-8035830	I-U-10	1-1/2 X 3-1/2	66.54
JLG-8035831	I-U-10,14	1-3/4 X 4	147.38
JLG-8035981	I-U-10	50 X 100 mm	222.27
JLG-8036131	I-U-14	1-1/2 X 3-3/4	184.02
JLG-8036132	I-U-14	2-3/4 X 5	272.85
JLG-8036180	Valve Kit		103.42
JLG-8036294	I-UB-10	3 X 4-1/2	162.18
JLG-8036295	I-UB-10,14	3 X 5	297.70

Kit Number	Code (Pg. 14)	Rod X Bore Size	List Price
JLG-8036328	I-UB-10	3 X 4-1/4	\$120.72
JLG-8036475	I-UB-10	2-3/4 X 4	137.49
JLG-8036502	I-UB-10	3 X 4-1/2	123.42
JLG-8036746	I-U-14	3 X 6	241.25
JLG-8036747	I-U-14	2-1/4 X 4-1/2	203.58
JLG-8036782	I-U-14	2-3/4 X 5	218.88
JLG-8036784	I-U-14	3 X 5	220.15
JLG-8036786	I-U-14	2-1/2 X 6	211.66
JLG-8205655	Valve Kit		25.24
JLG-8205656	O-rings + Back-ups		33.21
JLG-8205657	Valve Kit		16.21
JLG-8205667	P-U-10	3 X 4-1/2	52.30
JLG-8205668	P-U-10	3 X 5-1/2	78.26
JLG-91144190	Steering Control Unit Seal Kit		80.67
JLG-91404157	P-UB-14	2 X 4-1/2	238.04
JLG-91404172	P-UB-14	2 X 3-1/2	205.65
JLG-91404206	P-UB-14	2 X 4-1/2	356.54
JLG-91404382	Cartridge Kit		104.24
JLG-91144003	P-UB-10	2-3/4 X 4-1/4	153.08
JLG-91144004	P-UB-10	2-1/2 X 5	82.47
JLG-91164005	P-UB-10	3 X 5	129.45
JLG-91474090	P-U-10	50 mm X 100 mm	336.52
JLG-91514020	P-UB-14	3-3/4 X 7	369.91
JLG-91514036	P-UB-14	3 X 4	224.62
JLG-91514050	P-UB-14	2-1/2 X 4-3/4	330.62
JLG-91514063	P-UB-14	2 X 4	256.66
JLG-91514220	O-rings		15.21
JLG-91514226	Spool		42.16
JLG-91514251	O-rings + Back-ups		32.36
JLG-91514281	P-UB-14	2-1/2 X 5-1/2	277.21
JLG-91514285	P-UB-14	2-1/2 X 5-1/2	308.85

REPLACEMENT SEAL KITS FOR JOHN DEERE® EQUIPMENT*

Replacement Seal Kits By Machine Type

Table of Contents

Machine Type		Page
Backhoe Loaders	210K, 210K EP, 210L, 210L EP, 210LE, 210LJ, 310D, 310E, 310G, 310J, 310K, 310K EP, 310L, 310L EP, 310SE, 310SG, 310SJ, 310SK, 310SK TC, 310SL, 315SE, 401D, 410D, 410E, 410G, 410J, 410K, 410K TC, 410L, 415B, 510D, 515B, 710D, 710G, 710J, 710K	709 - 726
Compactors	646, 646B, 646C	726 - 727
Crawler Dozers Loaders	450G, 450H, 450J, 450K, 450K LGP, 455G, 550G, 550H, 550J, 550K, 555G, 650G, 650H, 650J, 650K, 655B, 700H, 700J, 700K, 750C, 750C-II, 750J, 750K, 850C, 850C-II, 850J, 850JR, 850K	727 - 734
Excavators	80, 85D, 85G, 110, 120, 120C, 120D, 130G, 135C, 135D, 135G, 160 LC, 160C LC, 160D LC, 160GLC, 180GLC, 190E, 200 LC, 200C LC, 200D LC, 210GLC, 225C LC, 225DLC, 230 LC, 230C LC, 240D LC, 245GLC, 250GLC, 270C LC, 270D LC, 290D, 290GLC, 300GLC, 330 LC, 330C LC, 345GLC, 350D LC, 350GLC, 370, 370C, 450 LC, 450C LC, 450D LC, 470GLC, 490E, 590D, 670GLC, 690CR, 690E, 690E LC, 790E LC, 792D, 792D LC, 892D, 892D LC, 892E, 892E LC, 992D, 992D LC, 992E, 992E LC	734 - 750
Excavators - Compact	17D, 17G, 26G, 27 ZTS, 27C ZTS, 27D, 30G, 35 ZTS, 35C ZTS, 35D, 35G, 50 ZTS, 50C ZTS, 50D, 50G, 60D, 60G, 75C, 75D, 75G, 80C	750 - 756
Forestry - FellerBunchers	743,743A Tree Harvesters	756
Forestry - Swing Machines	2154D	756
Forestry - Track Feller Bunchers	493D, 653E, 693B, 693C, 693D, 753J, 793D, 803M ,853, 853M	756 - 758
Forestry - Tree Harvesters	803MH, 853MH	758 - 759
Forestry - Wheel Feller Bunchers	643K, 643L, 843K, 843L,	759 - 761
Forestry - Wheel Skidders	648L, 748H, 748L	761 - 763
Knuckle Boom Loaders	435C, 437C	763
Loaders - Skid Steer	240, 250, 260, 270, 280, 312GR, 314G, 316GR, 317, 318D, 318E, 318G, 320, 320D, 320E, 320G, 323D, 324G, 325, 326D, 326E, 328, 328D, 328E, 329D, 330G, 332, 332D, 332E, 332G, 333D, CT322, CT332	763 - 768
Loaders - Track SkidSteer	317G, 319D, 319E, 323E, 324E, 325G, 329E, 331G, 333E, 333G	768 - 770
Loaders - Wheel	204K, 204L, 244J, 244K, 244K II, 244L, 304K, 304L, 324J, 324K, 324L, 444G, 444H, 444H LL, 444J, 444K, 524K, 524K II, 524L, 544G, 544H, 544H LL, 544J, 544K, 544L, 624E, 624G, 624H, 624J, 624K, 624K II, 624KR, 624L, 644G, 644H, 644J, 644K, 644L, 724J, 724K, 744E, 744H, 744J, 744K, 824J, 824K, 844K, TC44H, TC54H	770 - 782
Motor Graders	570, 570A, 570B, 670,670A,670B,672A,672B, 770,770A,770B,772A,772B	782 - 784
Scrapers	762,762A,762B, 862B, 1312C, 1510C, 1512C, 1810C, 1812C, 1814C, 2112C, 5010	782 - 784
Skidders	340D, 440, 440A, 440B, 440C Skidders/Grapple Skidders, 440D, 448 Skidders/Grapple Skidders, 540, 540A, 540B, 540D, 548D Grapple Skidders, 640 Skidders/Grapple Skidders, 640D, 648D Grapple Skidders, 648H, 740, 740A, 3605 Grapple Skidders	784 - 788
Tractors	1023E (120R Loader), 1023E (260B Backhoe), 1023E (D120 Loader), 1023E (H120 Loader), 1025R (120R Loader), 1025R (260B Backhoe), 1025R (D120 Loader), 1025R (H120 Loader), 2025R (120R Loader), 2025R (260B Backhoe), 2032R (220R Loader), 2032R (270B Backhoe), 2038R (220R Loader), 2038R (270B Backhoe), 3025E (300E Loader), 3032E (300E Loader), 3033R (300R Loader), 3033R (320R Loader), 3033R (375A Backhoe), 3033R, 3038E (300E Loader), 3039R (300R Loader), 3039R (320R Loader), 3039R (375A Backhoe), 3039R, 3046R (300R Loader), 3046R (320R Loader), 3046R (375A Backhoe), 3046R, 4044M (400E Loader), 4044M (D170 Loader), 4044R (400E Loader), 4044R (440R Loader), 4044R (D170 Loader), 4044R (H180 Loader), 4052M (400E Loader), 4052M (D170 Loader), 4052R (400E Loader), 4052R (440R Loader), 4052R (D170 Loader), 4052R (H180 Loader), 4066M (400E Loader), 4066M (D170 Loader), 4066R (400E Loader), 4066R (440R Loader), 4066R (D170 Loader), 4066R (H180 Loader), 4105 (300 Loader), 4105 (300CX Loader), 4105 (300X Loader), 4105 (H165 Loader), 5045E (512 Loader), 5045E (520M Loader), 5055E (512 Loader), 5055E (520M Loader), 5065E (512 Loader), 5065E (520M Loader), 5075E (512 Loader), 5075E (520M Loader), 5085E (520M Loader), 5100E (520M Loader), 6115M (H130 Loader), 6115M (H340 Loader), 6115R (H130 Loader), 6115R (H340 Loader)	788 - 797

Alpha-Numeric Kit Listing **798 - 804**

John Deere Individual Parts **Found Online**

The following models are available online at www.HerculesUS.com or by calling your regional sales team.

Backhoe Loaders	210C, 300B, 302A, 310, 310A, 310B, 310C, 401C, 410, 410B, 410C, 500A, 500B, 500C, 510, 510B, 510C, 610B, 610C, 710B, 710C
Crawler Dozers/ Loaders	350, 350B, 350C, 350D, 355D, 450, 450B, 450C, 450D, 450E, 455D, 455E, 550, 550A, 550B, 555, 555A, 555B, 655, 750B, 850, 850B
Excavators	70, 70D, 490D, 495D, 690, 690A, 690B, 690C, 690D, 790, 790D, 792, 890, 890A, 990
Loaders - Wheel	300, 344E, 400, 401A, 444, 444C, 444CH, 444D, 444E, 544, 544A, 544B, 544C, 544D, 544E, 544E LL, 544E TC, 644, 644A, 644B, 644C, 644D, 644E, 644ER, 844
Scrapers	760, 760A, 860, 860A, 860B, 862

Replacement Kits For

JOHN DEERE®

JOHN DEERE®

Backhoe Loaders								
APPLICATION	CYL #	SERIAL #	Misc	CODE	ROD	BORE	KIT #	List \$
MODEL 210K								
BOOM	AH211203			P-UB-1	50 mm		JD-AH210484	66.46
	AH211203			N-N-10		80 mm	JD-AH212092	59.07
BUCKET	AH219634			P-UB-1	50 mm		JD-AH210484	66.46
	AH219634			N-N-10		90 mm	JD-AH212097	26.38
HITCH (Lift)	CB11479922			P-U-10	2	3	JD-CB11479459	36.52
HITCH (Pitch)	CB11492745			P-U-10	1-1/4	2-1/2	JD-CB11473942	28.03
HITCH (Tilt)	CB11469866			P-U-10	2	3	JD-CB11473940	36.52
STEERING	AT326542			I-U-10	40 mm	65 mm	JD-T218502	183.72
MODEL 210K EP								
BOOM (Lift)	AHC11108			P-UB-1	50 mm		JD-AHC11573	177.47
	AHC11108			N-N-10		80 mm	JD-AH212092	59.07
BUCKET	AHC15426			P-UB-1	50 mm		JD-AHC11573	177.47
	AHC15426			N-N-10		80 mm	JD-AH212092	59.07
HITCH (Lift)	CB11479922			P-U-10	2	3	JD-CB11479459	36.52
HITCH (Pitch)	CB11492745			P-U-10	1-1/4	2-1/2	JD-CB11473942	28.03
HITCH (Tilt)	CB11469866			P-U-10	2	3	JD-CB11473940	36.52
STEERING	AT326542			I-U-10	40 mm	65 mm	JD-T218502	183.72
MODEL 210L								
LOADER BOOM LIFT	AHC14408			P-UB-1	50 mm		JD-AHC11573	177.47
	AHC14408			N-N-10		80 mm	JD-AH212092	59.07
	AHC14408			Unitized Piston		80 mm	JD-AH165826	203.43
	AHC16566			P-UB-1	50 mm		JD-AHC11573	177.47
	AHC16566			N-N-10		80 mm	JD-AH212092	59.07
	AHC16566			Unitized Piston		80 mm	JD-AH165826	203.43
LOADER BUCKET	AHC14450			P-UB-1	50 mm		JD-AHC16954	108.98
	AHC14450			N-N-10		90 mm	JD-AH212097	26.38
	AHC14450			Unitized Piston		90 mm	JD-AH205060	314.34
LOADER BUCKET MP	AHC15426			P-UB-1	50 mm		JD-AHC16954	108.98
	AHC15426			N-N-10		80 mm	JD-AH212092	59.07
	AHC15426			Unitized Piston		80 mm	JD-AH173410	256.39
STEERING	AT326542			I-U-10	40 mm	65 mm	JD-T218502	183.72
MODEL 210L EP								
HITCH (Lift)	AHC16565			P-UB-1	50 mm		JD-AHC16954	108.98
	AHC16565			N-N-10		80 mm	JD-AHC22107	75.07
HITCH (Pitch)	AHC16568			P-U-10	1-1/4	2-1/2	JD-CB11473942	28.03
HITCH (Tilt)	AHC16567	-895000		P-U-10	2	3	JD-CB11473940	36.52
LOADER BOOM	AHC16566			P-UB-1	50 mm		JD-AHC16954	108.98
	AHC16566			N-N-10		80 mm	JD-AHC22107	75.07
LOADER BUCKET	AHC14450			P-UB-1	50 mm		JD-AHC16954	108.98
	AHC14450			N-N-10		90 mm	JD-AHC22108	80.61
MULTIPURPOSE BUCKET	AHC15426			P-UB-1	50 mm		JD-AHC16954	108.98
	AHC15426			N-N-10		80 mm	JD-AHC22107	75.07
QUICK COUPLER	AHC14445			I-U-1	25 mm		JD-AHC16980	20.54
	AHC14445			N-N-10,14		40 mm	JD-AHC17687	80.10
SCARIFIER	AHC16564	-897103		I,P-U-1	32 mm		JD-AHC16982	29.99
	AHC16564	-897103		N-N-10,14		3	JD-AHC16970	163.76
	AHC19208	897104-		I,P-U-1	32 mm		JD-AHC16982	29.99
	AHC19208	897104-		N-N-14		2 1/2	JD-AHC18919	74.79
STEERING	AT531805			I-U-10	40 mm	65 mm	JD-T218502	183.72
STEERING (W/O MFWD)	AT326535			I-U-10	42 mm	70 mm	JD-T218499	113.11
MODEL 210LE								
BOOM	AH146874	-882700		P-UB-1	50 mm		JD-AH210484	66.46
	AH146874	-882700		N-N-14		80 mm	JD-AH212091	136.57
	AH211203	882701-		P-UB-1	50 mm		JD-AH210484	66.46
	AH211203	882701-		N-N-10		80 mm	JD-AH212092	59.07

LA - Long Arm LGP - Low Ground Pressure LT - Long Track MFWD - Mechanical Front Wheel Drive MP - Multi-Purpose
 IDM - Inside Dozer Mount ODM - Outside Dozer Mount SLF - Super Long Front STD - Straight Dozer WT - Wide Track

FORMERLY LISTED REPAIR PARTS ARE AVAILABLE ONLINE AT WWW.HERCULESUS.COM
 OR BY CONTACTING YOUR REGIONAL HERCULES SALES TEAM.

Replacement Kits For

JOHN DEERE®

Backhoe Loaders								
APPLICATION	CYL #	SERIAL #	Misc	CODE	ROD	BORE	KIT #	List \$
MODEL 210LE								
BUCKET	AH146873	-880293		P-UB-1	45 mm		JD-AH147868	52.28
	AH146873	-880293		N-N-14		80 mm	JD-AH212091	136.57
	AH173567	880294-883527		P-UB-1	50 mm		JD-AH210484	66.46
	AH173567	880294-883527		N-N-14		90 mm	JD-AH212096	107.61
	AH210737	882701-		I-U-14	50 mm	3	JD-AH209022	125.26
	AH216338	883528-		P-UB-1	50 mm		JD-AH210484	66.46
	AH216338	883528-		N-N-14		90 mm	JD-AH212096	107.61
HITCH (Lift)	AT183862	845681-881738		I-U-7	2	2-1/2	JD-AT216094	54.23
	CB11452636	881739-882728		P-U-5	2	3	JD-CB11439894	61.33
	CB11453663	882729-885634	Gland CB01455862	I-U-10	2	3	JD-CB11457276	58.80
	CB11453663	881737-882733	Gland CB01439785	P-U-5	2	3	JD-CB11439894	61.33
	CB11469836	888001-888453		P-U-10	2	3	JD-CB11479459	36.52
	CB11471350	-845680		I-U-7	2	2-1/2	JD-AT216094	54.23
	CB11472418	-845680		I-U-7	2	2-1/2	JD-AT216094	54.23
HITCH (Pitch)	AT183261	835632-880053		I-U-5	1-1/8	2-1/2	JD-AT216093	50.66
	AT187377	880054-881745		I-U-5	1-1/8	2-1/2	JD-AT216093	50.66
	AT216032	-835631		I-U-5	1-1/8	2-1/2	JD-AT216093	50.66
	CB11439085	881746-882706		P-U-5	1-1/4	2-1/2	JD-CB11439892	55.42
	CB11453665	882707-885634		I-U-10	1-1/4	2-1/2	JD-CB11457277	125.48
	CB11471348			P-U-10	1-1/4	2-1/2	JD-CB11473942	28.03
	CB11471348			P-U-10	1-1/4	2-1/2	JD-CB11473942	28.03
HITCH (Tilt)		880054-881736		I-U-7	2	2-1/2	JD-AT216095	54.23
	AT183258	-880053		I-U-7	2	2-1/2	JD-AT216095	54.23
	CB11471347	882701-882733		P-U-10	2	3	JD-CB11473940	36.52
	CB11471347	881737-882700		P-U-5	2	3	JD-CB11439893	61.39
	CB11471347	882734-		P-U-10	2	3	JD-CB11473940	36.52
STEERING	AH216821	-888000		P-UB-1	25 mm		JD-AH149810	75.45
	AH216821	-888000		N-N-10		50 mm	JD-AH167552	10.76
	AT326542	888001-		I-U-10	40 mm	65 mm	JD-T218502	183.72
STEERING (w/Limited Slip)	AT195570	-410911		I-U-10	36 mm	65 mm	JD-T153744	157.79
	AT195570	410912-		I-U-10	38 mm	65 mm	JD-T213801	176.56
STEERING (w/o Limited Slip)	AT195570	394242-		I-U-10	38 mm	65 mm	JD-T213801	176.56
	AT195570	-394241		I-U-10	36 mm	65 mm	JD-T153744	157.79
MODEL 210LJ								
BOOM	AH211203			P-UB-1	50 mm		JD-AHC16954	108.98
	AH211203			N-N-10		80 mm	JD-AHC22107	75.07
BOX SCRAPER	CB11471349			P-U-10	1 1/4	3	JD-CB11473941	37.46
COUPLER	AH217348			I-U-1	25 mm		JD-AHC16980	20.54
	AH217348			N-N-10,14		40 mm	JD-AHC17687	80.10
HITCH (LIFT)	CB11479922			P-U-10	2	3	JD-CB11479459	36.52
HITCH (PITCH)	CB114670630	-890226		P-U-10	1-1/4	2-1/2	JD-CB11473942	28.03
	CB11492745	890227-		P-U-10	1-1/4	2-1/2	JD-CB11473942	28.03
HITCH (TILT)	CB11469866			P-U-10	2	3	JD-CB11473940	36.52
LOADER BUCKET	AH219634			P-UB-1	50 mm		JD-AHC16954	108.98
	AH219634			N-N-10		90 mm	JD-AHC22108	80.61
	AH234008			P-UB-1	50 mm		JD-AHC16954	108.98
	AH234008			N-N-10		90 mm	JD-AHC22108	80.61
MULTIPURPOSE BUCKET	AH210737			I-U-1	50 mm		JD-AHC16987	35.26
	AH210737			N-N-10,14		3	JD-AHC16970	163.76
SCARIFIER	AHC16564			I,P-U-1	32 mm		JD-AHC16982	29.99
	AHC16564			N-N-10,14		3	JD-AHC16970	163.76
STEERING	AT531805			I-U-10	40 mm	65 mm	JD-T218502	183.72
STEERING (W/O MFWD)	AT326535			I-U-10	42 mm	70 mm	JD-T218499	113.11

LA - Long Arm LGP - Low Ground Pressure LT - Long Track MFWD - Mechanical Front Wheel Drive MP - Multi-Purpose
 IDM - Inside Dozer Mount ODM - Outside Dozer Mount SLF - Super Long Front STD - Straight Dozer WT - Wide Track

Replacement Kits For

JOHN DEERE®

Backhoe Loaders								
APPLICATION	CYL #	SERIAL #	Misc	CODE	ROD	BORE	KIT #	List \$
MODEL 310D								
BACKHOE ARM				P-UB-1	56 mm		JD-RE31716	143.20
				N-N-14		100 mm	JD-AH149844	135.84
BACKHOE BOOM				N-N-14		115 mm	JD-AH149846	191.55
	RE31721	740893-		P-UB-1	56 mm		JD-RE31716	143.20
BACKHOE BUCKET		817498-		P-UB-1	50 mm		JD-AH148164	69.14
				N-N-14		90 mm	JD-AH149843	107.61
	AH211073	-817497		P-UB-1	50 mm		JD-RE20595	82.00
	AH211073	817498-		N-N-14		90 mm	JD-AH212096	107.61
	AH211073	-817497		N-N-14		90 mm	JD-AH212096	107.61
BACKHOE STABILIZER				P-UB-1	50 mm		JD-AH148164	69.14
				N-N-14		100 mm	JD-AH149844	135.84
				N-N-14		100 mm	JD-AH137687	113.73
CROWD	AH154776			P-UB-1	56 mm		JD-RE31716	143.20
	AH154776			N-N-14		100 mm	JD-AH212101	129.27
EXT DIPPERSTICK	AH154784	787834-		P-UB-1	45 mm		JD-RE20434	92.84
	AH154784	787834-		N-N-10		80 mm	JD-AH212092	59.07
LOADER BOOM				P-UB-1	45 mm		JD-RE20434	92.84
				N-N-14		80 mm	JD-AH149842	108.47
	AH154778			I,P-UB-1	45 mm		JD-AH149813	95.91
	AH154778			N-N-14		80 mm	JD-AH212091	136.57
LOADER BUCKET				P-UB-1	45 mm		JD-RE20434	92.84
				N-N-14		90 mm	JD-AH149843	107.61
	AH154793			I,P-UB-1	45 mm		JD-AH149813	95.91
	AH154793			N-N-14		90 mm	JD-AH212096	107.61
STABILIZER	AH135635	-817458		P-UB-1	50 mm		JD-RE20595	82.00
	AH135635	-817458		N-N-14		100 mm	JD-AH212101	129.27
	AH135636	-817458		P-UB-1	50 mm		JD-RE20595	82.00
	AH135636	-817458		N-N-14		100 mm	JD-AH212101	129.27
	AH143513	-817458		P-UB-1	50 mm		JD-RE20595	82.00
	AH143513	-817458		N-N-14		100 mm	JD-AH212101	129.27
	AH143514	-817458		P-UB-1	50 mm		JD-RE20595	82.00
	AH143514	-817458		N-N-14		100 mm	JD-AH212101	129.27
SWING				P-UB-1	50 mm		JD-AH148164	69.14
				N-N-14		100 mm	JD-AH149844	135.84
	AH136574	-817517		P-UB-1	50 mm		JD-RE20595	82.00
	AH145619	-817517		N-N-14		100 mm	JD-AH212101	129.27
MODEL 310E								
BACKHOE BOOM				P-UB-1	56 mm		JD-AH149814	94.40
				N-N-14		110 mm	JD-AH212585	143.90
BACKHOE BUCKET				P-UB-1	50 mm		JD-AH210484	66.46
				N-N-14		80 mm	JD-AH212091	136.57
BACKHOE CROWD		-837443		P-UB-1	56 mm		JD-AH149814	94.40
		837444-		P-UB-1	63 mm		JD-AH149815	96.10
		-837443		N-N-14		110 mm	JD-AH212585	143.90
		837444-		N-N-14		110 mm	JD-AH212585	143.90
BACKHOE STABILIZER LH	AH149971			P-UB-1	50 mm		JD-AH210484	66.46
	AH149971			N-N-14		80 mm	JD-AH212091	136.57
	AH176122			P-UB-1	50 mm		JD-AH210484	66.46
	AH176122			N-N-10		80 mm	JD-AH212092	59.07
	AH219499			P-UB-1	50 mm		JD-AH210484	66.46
	AH219499			N-N-10		80 mm	JD-AH212092	59.07
BACKHOE STABILIZER RH	AH149972			P-UB-1	50 mm		JD-AH210484	66.46
	AH149972			N-N-14		80 mm	JD-AH212091	136.57
	AH173202			P-UB-1	50 mm		JD-AH210484	66.46
	AH173202			N-N-10		80 mm	JD-AH212092	59.07

LA - Long Arm LGP - Low Ground Pressure LT - Long Track MFWD - Mechanical Front Wheel Drive MP - Multi-Purpose
 IDM - Inside Dozer Mount ODM - Outside Dozer Mount SLF - Super Long Front STD - Straight Dozer WT - Wide Track

FORMERLY LISTED REPAIR PARTS ARE AVAILABLE ONLINE AT WWW.HERCULESUS.COM
 OR BY CONTACTING YOUR REGIONAL HERCULES SALES TEAM.

JOHN DEERE®

Replacement Kits For

JOHN DEERE®

Backhoe Loaders								
APPLICATION	CYL #	SERIAL #	Misc	CODE	ROD	BORE	KIT #	List \$
MODEL 310E								
BACKHOE STABILIZER RH	AH219500			P-UB-1	50 mm		JD-AH210484	66.46
	AH219500			N-N-10		80 mm	JD-AH212092	59.07
BUCKET (MP)				I-U-10	2	3	JD-AT190898	132.82
LOADER BOOM				P-UB-1	50 mm		JD-AH210484	66.46
				N-N-14		80 mm	JD-AH212091	136.57
LOADER BUCKET				P-UB-1	45 mm		JD-AH147868	52.28
				N-N-14		80 mm	JD-AH212091	136.57
MODEL 310G								
BACKHOE BOOM	AH146874	-926493		P-UB-1	50 mm		JD-AH210484	66.46
	AH146874	-926493		N-N-14		80 mm	JD-AH212091	136.57
	AH211131	926130-		P-UB-1	56 mm		JD-AH149814	94.40
	AH211131	-926129		P-UB-1	56 mm		JD-AH149814	94.40
BACKHOE BUCKET	AH209080	910900		P-UB-1	50 mm		JD-AH210484	66.46
	AH209080	910901-925926 ; 925927-		P-UB-1	50 mm		JD-AH210484	66.46
	AH209080	910901-925926 ; 925927-		N-N-10		80 mm	JD-AH212092	59.07
	AH209080	910900		N-N-14		80 mm	JD-AH212091	136.57
BACKHOE CROWD	AH157980			P-UB-1	63 mm		JD-AH149815	96.10
	AH157980			N-N-14		110 mm	JD-AH149845	171.33
BACKHOE STABILIZER	AH219499	925947-951996		P-UB-1	50 mm		JD-AH210484	66.46
	AH219499	925947-951996		N-N-10		80 mm	JD-AH212092	59.07
	AH219500	-902497		N-N-14		80 mm	JD-AH212091	136.57
	AH219500	902498-		N-N-10		80 mm	JD-AH212092	59.07
BACKHOE SWING	AH220099	-957128 ; 957129-		I,P-UB-1	45 mm		JD-AH149813	95.91
	AH220099	957129-		N-N-14		80 mm	JD-AH212091	136.57
	AH220099	-957128		N-N-14		80 mm	JD-AH149842	108.47
BUCKET (MP)				I-U-10	2	3	JD-AT190898	132.82
EXT DIPPERSTICK	AH218606	953471-		I-U-1	32 mm		JD-AH148823	66.71
	AH218606	953471-		N-N-10		63 mm	JD-AH212088	21.44
LOADER BUCKET	AH216338	-941225 ; 941226-		P-UB-1	50 mm		JD-AH210484	66.46
	AH216338	-941225 ; 941226-		N-N-14		90 mm	JD-AH212096	107.61
MODEL 310J								
BACKHOE BOOM	AH219632			P-UB-1	56 mm		JD-AH149814	94.40
	AH219632			N-N-14		110 mm	JD-AH149845	171.33
BACKHOE BUCKET	AH219631			P-UB-1	50 mm		JD-AH210484	66.46
	AH219631			N-N-10		80 mm	JD-AH212092	59.07
BACKHOE CROWD	AH219633			P-UB-1	63 mm		JD-AH149815	96.10
	AH219633			N-N-14		110 mm	JD-AH212585	143.90
BACKHOE STABILIZER	AH219499			P-UB-1	50 mm		JD-AH210484	66.46
	AH219499			N-N-10		80 mm	JD-AH212092	59.07
	AH219500			P-UB-1	50 mm		JD-AH210484	66.46
	AH219500			N-N-10		80 mm	JD-AH212092	59.07
BACKHOE SWING	AH220099			I,P-UB-1	45 mm		JD-AH149813	95.91
	AH220099			N-N-14		80 mm	JD-AH212091	136.57
BACKHOE THUMB	AH233825			P-UB-1	50 mm		JD-AH210484	66.46
	AH233825			N-N-10		90 mm	JD-AH212097	26.38
EXT DIPPERSTICK	AH218606			I-U-1	32 mm		JD-AH148823	66.71
	AH218606			N-N-10		63 mm	JD-AH212088	21.44
LOADER BOOM LIFT	AH211203			P-UB-1	50 mm		JD-AH210484	66.46
	AH211203			N-N-10		80 mm	JD-AH212092	59.07
LOADER BUCKET	AH219634			P-UB-1	50 mm		JD-AH210484	66.46
	AH219634			N-N-10		90 mm	JD-AH212097	26.38
STEERING	AT326542			I-U-10	40 mm	65 mm	JD-T218502	183.72

LA - Long Arm LGP - Low Ground Pressure LT - Long Track MFWD - Mechanical Front Wheel Drive MP - Multi-Purpose
 IDM - Inside Dozer Mount ODM - Outside Dozer Mount SLF - Super Long Front STD - Straight Dozer WT - Wide Track

JOHN DEERE®

Replacement Kits For

JOHN DEERE®

JOHN DEERE®

Backhoe Loaders								
APPLICATION	CYL #	SERIAL #	Misc	CODE	ROD	BORE	KIT #	List \$
MODEL 310K								
BACKHOE BUCKET	AHC11124	208446-		P-UB-1	50 mm		JD-AHC11573	177.47
	AHC11124	208446-		N-N-10		80 mm	JD-AH212092	59.07
BACKHOE STABILIZER (LH)	AHC11111	208446-		N-N-10		80 mm	JD-AH212092	59.07
	AHC11111	208446-		P-UB-1	50 mm		JD-AHC11573	177.47
BACKHOE STABILIZER (RH)	AHC11112	208446-		N-N-10		80 mm	JD-AH212092	59.07
	AHC11112	208446-		P-UB-1	50 mm		JD-AHC11573	177.47
BACKHOE THUMB	AHC11115	207436-		P-UB-1	50 mm		JD-AHC11573	177.47
	AHC11115	207436-		N-N-10		90 mm	JD-AH212097	26.38
BOOM LIFT	AHC11108			P-UB-1	50 mm		JD-AHC11573	177.47
	AHC11108			N-N-10		80 mm	JD-AH212092	59.07
FRONT COUPLER	AH217348			I-U-10	25 mm	40 mm	JD-AH176272	43.25
LOADER BUCKET	AHC11107	202928-		P-UB-1	50 mm		JD-AHC11573	177.47
	AHC11107	202928-		N-N-10		90 mm	JD-AH212097	26.38
SWING	AHC11319	203194-		I,P-UB-1	45 mm		JD-AHC11572	135.92
	AHC11319	203194-		N-N-14		80 mm	JD-AH212091	136.57
MODEL 310K EP								
BACKHOE BUCKET	AHC11124	208446-		P-UB-1	50 mm		JD-AHC11573	177.47
	AHC11124	208446-		N-N-10		80 mm	JD-AH212092	59.07
BACKHOE STABILIZER (LH)	AHC11111	208446-		N-N-10		80 mm	JD-AH212092	59.07
	AHC11111	208446-		P-UB-1	50 mm		JD-AHC11573	177.47
BACKHOE STABILIZER (RH)	AHC11112	208446-		N-N-10		80 mm	JD-AH212092	59.07
	AHC11112	208446-		P-UB-1	50 mm		JD-AHC11573	177.47
BACKHOE THUMB	AHC11115	207436-		P-UB-1	50 mm		JD-AHC11573	177.47
	AHC11115	207436-		N-N-10		90 mm	JD-AH212097	26.38
BOOM LIFT	AHC11108			P-UB-1	50 mm		JD-AHC11573	177.47
	AHC11108			N-N-10		80 mm	JD-AH212092	59.07
EXT DIPPERSTICK	AH234004			I-U-1	32 mm		JD-AH148823	66.71
	AH234004			N-N-10		63 mm	JD-AH212088	21.44
FRONT COUPLER	AH217348			I-U-10	25 mm	40 mm	JD-AH176272	43.25
LOADER BUCKET	AHC11107	202928-		P-UB-1	50 mm		JD-AHC11573	177.47
	AHC11107	202928-		N-N-10		90 mm	JD-AH212097	26.38
STEERING (MFWD)	AT326542			I-U-10	40 mm	65 mm	JD-T218502	183.72
SWING	AHC11319	203194-		I,P-UB-1	45 mm		JD-AHC11572	135.92
	AHC11319	203194-		N-N-14		80 mm	JD-AH212091	136.57
MODEL 310L								
BACKHOE BOOM	AHC14426			P-UB-1	56 mm		JD-AHC16683	87.31
	AHC14426			N-N-10,14		110 mm	JD-AHC20489	118.40
BACKHOE BUCKET	AHC14433			P-UB-1	50 mm		JD-AHC16954	108.98
	AHC14433			N-N-10		80 mm	JD-AH212092	59.07
	AHC14433			Unitized Piston		80 mm	JD-AH173410	256.39
BACKHOE CROWD	AHC144429	-343601		P-UB-1	63 mm		JD-AHC13362	132.05
	AHC144429	-343601		N-N-10,14		110 mm	JD-AHC20489	118.40
	AHC19406	343602-		P-UB-1	63 mm		JD-AHC13362	132.05
	AHC19406	343602-		N-N-10,14		110 mm	JD-AHC20489	118.40
BACKHOE EXT DIPPERSTICK	AHC14608			P-UB-1	32 mm		JD-AH161589	75.94
	AHC14608			N-N-10		63 mm	JD-AH212088	21.44
	AHC14608			Unitized Piston		63 mm	JD-AH142159	170.29
BACKHOE STABILIZER LH	AHC14413			P-UB-1	50 mm		JD-AHC16954	108.98
	AHC14413			N-N-10		80 mm	JD-AH212092	59.07
	AHC14413			Unitized Piston		80 mm	JD-AH173410	256.39
BACKHOE STABILIZER RH	AHC14414			P-UB-1	50 mm		JD-AHC16954	108.98

LA - Long Arm LGP - Low Ground Pressure LT - Long Track MFWD - Mechanical Front Wheel Drive MP - Multi-Purpose
 IDM - Inside Dozer Mount ODM - Outside Dozer Mount SLF - Super Long Front STD - Straight Dozer WT - Wide Track

FORMERLY LISTED REPAIR PARTS ARE AVAILABLE ONLINE AT WWW.HERCULESUS.COM
 OR BY CONTACTING YOUR REGIONAL HERCULES SALES TEAM.

Replacement Kits For

JOHN DEERE®

Backhoe Loaders									
APPLICATION	CYL #	SERIAL #	Misc	CODE	ROD	BORE	KIT #	List \$	
MODEL 310L									
BACKHOE STABILIZER RH	AHC14414			N-N-10		80 mm	JD-AH212092	59.07	
	AHC14414			Unitized Piston		80 mm	JD-AH173410	256.39	
BACKHOE SWING	AHC14473	-304844		I,P-UB-1	45 mm		JD-AHC11572	135.92	
	AHC14473	-304844		N-N-10,14		80 mm	JD-AHC20488	101.27	
	AHC18271	304845-		I,P-UB-1	45 mm		JD-AHC11572	135.92	
	AHC18271	304845-		N-N-10,14		80 mm	JD-AHC20488	101.27	
LOADER BOOM	AHC13491	-001211, 001298-		P-UB-1	50 mm		JD-AHC16954	108.98	
	AHC13491	-001211, 001298-		N-N-10		80 mm	JD-AH212092	59.07	
	AHC13491	-001211, 001298-		Unitized Piston		80 mm	JD-AH165826	203.43	
	AHC14408	001212-001297, -339570		P-UB-1	50 mm		JD-AHC16954	108.98	
	AHC14408	001212-001297, -339570		N-N-10		80 mm	JD-AH212092	59.07	
	AHC14408	001212-001297, -339570		Unitized Piston		80 mm	JD-AH165826	203.43	
	AHC16566	339571-		P-UB-1	50 mm		JD-AHC16954	108.98	
	AHC16566	339571-		N-N-10		80 mm	JD-AH212092	59.07	
	AHC16566	339571-		Unitized Piston		80 mm	JD-AH165826	203.43	
	LOADER BUCKET	AHC13490	001298-		P-UB-1	50 mm		JD-AHC16954	108.98
AHC13490		001298-		N-N-10		90 mm	JD-AH212097	26.38	
AHC13490		001298-		Unitized Piston		90 mm	JD-AH205060	314.34	
AHC13493		-001211		P-UB-1	50 mm		JD-AHC16954	108.98	
AHC13493		-001211		N-N-10		90 mm	JD-AH212097	26.38	
AHC13493		-001211		Unitized Piston		90 mm	JD-AH205060	314.34	
AHC14405		001212-		P-UB-1	50 mm		JD-AHC16954	108.98	
AHC14405		001212-		N-N-10		90 mm	JD-AH212097	26.38	
AHC14405		001212-		Unitized Piston		90 mm	JD-AH205060	314.34	
AHC14450				P-UB-1	50 mm		JD-AHC16954	108.98	
AHC14450				N-N-10		90 mm	JD-AH212097	26.38	
AHC14450				Unitized Piston		90 mm	JD-AH205060	314.34	
LOADER QUICK COUPLER		AHC14445			I-U-1	25 mm		JD-AHC16980	20.54
		AHC14445			N-N-10,14		40 mm	JD-AHC17687	80.10
MULTI-PURPOSE	AHC15426			P-UB-1	50 mm		JD-AHC16954	108.98	
	AHC15426			N-N-10		80 mm	JD-AH212092	59.07	
	AHC15426			Unitized Piston		80 mm	JD-AH173410	256.39	
STEERING MFWD	AT326542			I-U-10	40 mm	65 mm	JD-T218502	183.72	
THUMB	AHC14415			P-UB-1	50 mm		JD-AHC16954	108.98	
	AHC14415			N-N-10		90 mm	JD-AH212097	26.38	
MODEL 310L EP									
BACKHOE BOOM	AHC14426			P-UB-1	56 mm		JD-AHC16683	87.31	
	AHC14426			N-N-10,14		110 mm	JD-AHC20489	118.40	
	JD-AHC14426			P-UB-1	56 mm		JD-AHC16683	87.31	
	JD-AHC14426			N-N-10,14		110 mm	JD-AHC20489	118.40	
BACKHOE BUCKET	AHC14433			P-UB-1	50 mm		JD-AHC16954	108.98	
	AHC14433			N-N-10		80 mm	JD-AHC22107	75.07	
	AHC14433			Unitized Piston		80 mm	JD-AH173410	256.39	
	JD-AHC14433			P-UB-1	50 mm		JD-AHC16954	108.98	
	JD-AHC14433			N-N-10		80 mm	JD-AHC22107	75.07	
	JD-AHC14433			Unitized Piston		80 mm	JD-AH173410	256.39	
BACKHOE CROWD	AHC14429	-343601		P-UB-1	63 mm		JD-AHC13362	132.05	
	AHC14429	-343601		N-N-10,14		110 mm	JD-AHC20489	118.40	
	AHC19406	343602-		P-UB-1	63 mm		JD-AHC13362	132.05	
	AHC19406	343602-		N-N-10,14		110 mm	JD-AHC20489	118.40	
	JD-AHC19406			P-UB-1	63 mm		JD-AHC13362	132.05	
	JD-AHC19406			N-N-10,14		110 mm	JD-AHC20489	118.40	
BACKHOE DIPPERSTICK	AHC14608			P-UB-1	32 mm		JD-AH161589	75.94	

LA - Long Arm LGP - Low Ground Pressure LT - Long Track MFWD - Mechanical Front Wheel Drive MP - Multi-Purpose
 IDM - Inside Dozer Mount ODM - Outside Dozer Mount SLF - Super Long Front STD - Straight Dozer WT - Wide Track

Replacement Kits For

JOHN DEERE®

Backhoe Loaders								
APPLICATION	CYL #	SERIAL #	Misc	CODE	ROD	BORE	KIT #	List \$
MODEL 310L EP								
BACKHOE DIPPERSTICK	AHC14608			N-N-10		63 mm	JD-AH212088	21.44
	AHC14608			Unitized Piston		63 mm	JD-AH142159	170.29
BACKHOE EXT DIPPERSTICK	JD-AHC14608			P-UB-1	32 mm		JD-AH161589	75.94
	JD-AHC14608			N-N-10		63 mm	JD-AH212088	21.44
	JD-AHC14608			Unitized Piston		63 mm	JD-AH142159	170.29
BACKHOE EXT STABILIZER LH	AHC14417			P-UB-1	50 mm		JD-AHC16954	108.98
	AHC14417			N-N-10		100 mm	JD-AHC22109	90.08
	AHC14417			Unitized Piston		90 mm	JD-AH205062	522.78
BACKHOE EXT STABILIZER RH	AHC14418			P-UB-1	50 mm		JD-AHC16954	108.98
	AHC14418			N-N-10		100 mm	JD-AHC22109	90.08
	AHC14418			Unitized Piston		90 mm	JD-AH205062	522.78
BACKHOE STABILIZER LH	AHC14413			P-UB-1	50 mm		JD-AHC16954	108.98
	AHC14413			N-N-10		80 mm	JD-AHC22107	75.07
	AHC14413			Unitized Piston		80 mm	JD-AH173410	256.39
	JD-AHC14413			P-UB-1	50 mm		JD-AHC16954	108.98
	JD-AHC14413			N-N-10		80 mm	JD-AHC22107	75.07
BACKHOE STABILIZER RH	AHC14414			P-UB-1	50 mm		JD-AHC16954	108.98
	AHC14414			N-N-10		80 mm	JD-AHC22107	75.07
	AHC14414			Unitized Piston		80 mm	JD-AH173410	256.39
	JD-AHC14414			P-UB-1	50 mm		JD-AHC16954	108.98
BACKHOE SWING	AHC14473	-304844		I,P-UB-1	45 mm		JD-AHC11572	135.92
	AHC14473	-304844		N-N-10,14		80 mm	JD-AHC20488	101.27
	AHC18271	304845-		I,P-UB-1	45 mm		JD-AHC11572	135.92
	AHC18271	304845-		N-N-10,14		80 mm	JD-AHC20488	101.27
	JD-AHC18271			I,P-UB-1	45 mm		JD-AHC11572	135.92
	JD-AHC18271			N-N-10,14		80 mm	JD-AHC20488	101.27
LOADER BOOM	AHC14408	-339574		P-UB-1	50 mm		JD-AHC16954	108.98
	AHC14408	-339574		N-N-10		80 mm	JD-AHC22107	75.07
	AHC14408	-339574		Unitized Piston		80 mm	JD-AH165826	203.43
	AHC16566	339575-		P-UB-1	50 mm		JD-AHC16954	108.98
	AHC16566	339575-		N-N-10		80 mm	JD-AHC22107	75.07
	AHC16566	339575-		Unitized Piston		80 mm	JD-AH165826	203.43
	JD-AHC16566			P-UB-1	50 mm		JD-AHC16954	108.98
	JD-AHC16566			N-N-10		80 mm	JD-AHC22107	75.07
LOADER BUCKET	AHC14450			P-UB-1	50 mm		JD-AHC16954	108.98
	AHC14450			N-N-10		90 mm	JD-AHC22108	80.61
	AHC14450			Unitized Piston		90 mm	JD-AH205060	314.34
	JD-AHC14450			P-UB-1	50 mm		JD-AHC16954	108.98
	JD-AHC14450			N-N-10		90 mm	JD-AHC22108	80.61
	JD-AHC14450			Unitized Piston		90 mm	JD-AH205060	314.34
LOADER BUCKET MP	JD-AHC15426			P-UB-1	50 mm		JD-AHC16954	108.98
	JD-AHC15426			N-N-10		80 mm	JD-AHC22107	75.07
	JD-AHC15426			Unitized Piston		80 mm	JD-AH173410	256.39
LOADER MULT-BUCKET	AHC15426			P-UB-1	50 mm		JD-AHC16954	108.98
	AHC15426			N-N-10		80 mm	JD-AHC22107	75.07
	AHC15426			Unitized Piston		80 mm	JD-AH173410	256.39
LOADER QUICK COUPLER	AHC14445			I-U-1	25 mm		JD-AHC16980	20.54
	AHC14445			N-N-10,14		40 mm	JD-AHC17687	80.10
	JD-AHC14445			I-U-1	25 mm		JD-AHC16980	20.54
	JD-AHC14445			N-N-10,14		40 mm	JD-AHC17687	80.10

LA - Long Arm LGP - Low Ground Pressure LT - Long Track MFWD - Mechanical Front Wheel Drive MP - Multi-Purpose
 IDM - Inside Dozer Mount ODM - Outside Dozer Mount SLF - Super Long Front STD - Straight Dozer WT - Wide Track

FORMERLY LISTED REPAIR PARTS ARE AVAILABLE ONLINE AT WWW.HERCULESUS.COM
 OR BY CONTACTING YOUR REGIONAL HERCULES SALES TEAM.

JOHN DEERE®

Replacement Kits For

JOHN DEERE®

Backhoe Loaders								
APPLICATION	CYL #	SERIAL #	Misc	CODE	ROD	BORE	KIT #	List \$
MODEL 310L EP								
STEERING	AT326542	-410979		I-U-10	40 mm	65 mm	JD-T218502	183.72
THUMB	AHC14415			P-UB-1	50 mm		JD-AHC16954	108.98
	AHC14415			N-N-10		90 mm	JD-AHC22108	80.61
MODEL 310SE								
BACKHOE BOOM	AH211132			P-UB-1	56 mm		JD-AH149814	94.40
	AH211132			N-N-14		120 mm	JD-AH149847	206.53
BACKHOE CROWD	AH164137	837258-873598		P-UB-1	63 mm		JD-AH149815	96.10
	AH164137	837258-873598		N-N-14		115 mm	JD-AH212103	191.55
BACKHOE STABILIZER LH	AH207327			P-UB-1	50 mm		JD-AH210484	66.46
	AH207327			N-N-14		90 mm	JD-AH212096	107.61
	AH210901			P-UB-1	50 mm		JD-AH210484	66.46
	AH210901			N-N-10		90 mm	JD-AH212097	26.38
	AH219537			P-UB-1	50 mm		JD-AH210484	66.46
	AH219537			N-N-10		90 mm	JD-AH212097	26.38
BACKHOE STABILIZER RH	AH207328			P-UB-1	50 mm		JD-AH210484	66.46
	AH207328			N-N-14		90 mm	JD-AH212096	107.61
	AH210902			P-UB-1	50 mm		JD-AH210484	66.46
	AH210902			N-N-10		90 mm	JD-AH212097	26.38
	AH219538			P-UB-1	50 mm		JD-AH210484	66.46
	AH219538			N-N-10		90 mm	JD-AH212097	26.38
EXT ARM	AH211361			I,P-UB-1	45 mm		JD-AH149813	95.91
	AH211361			N-N-14		70 mm	JD-AH212089	60.27
EXT DIPPERSTICK	AH211361			I,P-UB-1	45 mm		JD-AH149813	95.91
	AH211361			N-N-14		70 mm	JD-AH212089	60.27
LOADER BOOM	AH146874			P-UB-1	50 mm		JD-AH210484	66.46
	AH146874			N-N-14		80 mm	JD-AH212091	136.57
LOADER BOOM LIFT	AH211206			P-UB-1	50 mm		JD-AH210484	66.46
	AH211206			N-N-10		80 mm	JD-AH212092	59.07
LOADER BUCKET	AH146873	-881677		P-UB-1	45 mm		JD-AH147868	52.28
	AH146873	-881677		N-N-14		80 mm	JD-AH212091	136.57
	AH216338	881678-		P-UB-1	50 mm		JD-AH210484	66.46
	AH216338	881678-		N-N-14		90 mm	JD-AH212096	107.61
SWING	AH147888			P-UB-1	50 mm		JD-AH210484	66.46
	AH147888			N-N-14		90 mm	JD-AH212096	107.61
MODEL 310SG								
BACKHOE BUCKET	AH149791	-926788		P-UB-1	63 mm		JD-AH149815	96.10
	AH149791	-926788		N-N-14		100 mm	JD-AH212101	129.27
	AH208379	926130-		P-UB-1	56 mm		JD-AH149814	94.40
	AH208379	-926129		P-UB-1	56 mm		JD-AH149814	94.40
	AH208379	-926129		N-N-14		90 mm	JD-AH212096	107.61
	AH208379	926130-		N-N-14		90 mm	JD-AH212096	107.61
	AH220526	926789-		P-UB-1	63 mm		JD-AH149815	96.10
	AH220526	926789-		N-N-14		100 mm	JD-AH212101	129.27
BACKHOE CROWD	AH164137			P-UB-1	63 mm		JD-AH149815	96.10
	AH164137			N-N-14		115 mm	JD-AH212103	191.55
BACKHOE STABILIZER	AH210901	-926206		P-UB-1	50 mm		JD-AH210484	66.46
	AH210901	-926206		N-N-14		90 mm	JD-AH212096	107.61
	AH219537	926207-952148		P-UB-1	50 mm		JD-AH210484	66.46
	AH219537	926207-952148		N-N-10		90 mm	JD-AH212097	26.38
EXT BACKHOE STABILIZER	AH212541	-925993		P-UB-1	50 mm		JD-AH210484	66.46
	AH212541	-925993		N-N-14		100 mm	JD-AH212101	129.27
EXT DIPPERSTICK	AH211361	910901-926427		I,P-UB-1	45 mm		JD-AH149813	95.91
	AH211361	-910900		I,P-UB-1	45 mm		JD-AH149813	95.91
	AH211361	-910900		N-N-14		70 mm	JD-AH212089	60.27

LA - Long Arm LGP - Low Ground Pressure LT - Long Track MFWD - Mechanical Front Wheel Drive MP - Multi-Purpose
 IDM - Inside Dozer Mount ODM - Outside Dozer Mount SLF - Super Long Front STD - Straight Dozer WT - Wide Track

Replacement Kits For

JOHN DEERE®

JOHN DEERE®

Backhoe Loaders								
APPLICATION	CYL #	SERIAL #	Misc	CODE	ROD	BORE	KIT #	List \$
MODEL 310SG								
EXT DIPPERSTICK	AH211361	910901-926427		N-N-10		70 mm	JD-AH212090	20.04
	AH211361	-910900		N-N-14		70 mm	JD-RE20428	68.40
LOADER BOOM	AH211206	-910491		P-UB-1	50 mm		JD-AH210484	66.46
	AH211206	910492-926248		P-UB-1	50 mm		JD-AH210484	66.46
	AH211206	926249-		P-UB-1	50 mm		JD-AH210484	66.46
	AH211206	926249-		N-N-10		80 mm	JD-AH212092	59.07
	AH211206	-910491		N-N-14		80 mm	JD-AH212091	136.57
	AH211206	910492-926248		N-N-10		80 mm	JD-AH212092	59.07
LOADER BUCKET	AH216338	-941225		P-UB-1	50 mm		JD-AH210484	66.46
	AH216338	941226-		P-UB-1	50 mm		JD-AH210484	66.46
	AH216338	-941225		N-N-14		90 mm	JD-AH212096	107.61
	AH216338	941226-		N-N-14		90 mm	JD-AH212096	107.61
SWING	AH220108	-957114		P-UB-1	50 mm		JD-AH210484	66.46
	AH220108	957115-		P-UB-1	50 mm		JD-AH210484	66.46
	AH220108	-957114		N-N-14		90 mm	JD-AH212096	107.61
	AH220108	957115-		N-N-14		90 mm	JD-AH212096	107.61
MODEL 310SJ								
BACKHOE BOOM	AH217444			P-UB-1	56 mm		JD-AH149814	94.40
	AH217444			N-N-14		120 mm	JD-AH149847	206.53
BACKHOE BUCKET	AH219636			P-UB-1	56 mm		JD-AH149814	94.40
	AH219636			N-N-14		90 mm	JD-AH212096	107.61
	AH219638			P-UB-1	63 mm		JD-AH149815	96.10
	AH219638			N-N-14		100 mm	JD-AH212101	129.27
BACKHOE CROWD	AH219637			P-UB-1	63 mm		JD-AH149815	96.10
	AH219637			N-N-14		115 mm	JD-AH212103	191.55
BACKHOE STABILIZER	AH219537			P-UB-1	50 mm		JD-AH210484	66.46
	AH219537			N-N-10		90 mm	JD-AH212097	26.38
	AH219538			P-UB-1	50 mm		JD-AH210484	66.46
	AH219538			N-N-10		90 mm	JD-AH212097	26.38
	AH219541			P-UB-1	50 mm		JD-AH210484	66.46
	AH219541			N-N-10		100 mm	JD-AH212102	80.88
	AH219542			P-UB-1	50 mm		JD-AH210484	66.46
	AH219542			N-N-10		100 mm	JD-AH212102	80.88
BACKHOE SWING	AH220108			P-UB-1	50 mm		JD-AH210484	66.46
	AH220108			N-N-14		90 mm	JD-AH212096	107.61
EXT DIPPERSTICK	AH211361			I,P-UB-1	40 mm		JD-AH149194	80.03
	AH211361			N-N-10		70 mm	JD-AH212090	20.04
LOADER BOOM LIFT	AH211206			P-UB-1	50 mm		JD-AH210484	66.46
	AH211206			N-N-10		80 mm	JD-AH212092	59.07
LOADER BUCKET	AH219634			P-UB-1	50 mm		JD-AH210484	66.46
	AH219634			N-N-10		90 mm	JD-AH212097	26.38
STEERING	AT326542			I-U-10	40 mm	65 mm	JD-T218502	183.72
MODEL 310SK								
BACKHOE BUCKET	AH219636			P-UB-1	56 mm		JD-AH149814	94.40
	AH219636			N-N-14		90 mm	JD-AH212096	107.61
	AH219638			P-UB-1	63 mm		JD-AH149815	96.10
	AH219638			N-N-14		100 mm	JD-AH212101	129.27
BACKHOE STABILIZER (LH)	AHC11115	208446-		P-UB-1	50 mm		JD-AHC11573	177.47
	AHC11115	208446-		N-N-10		90 mm	JD-AH212097	26.38
	AHC11117	208446-		P-UB-1	50 mm		JD-AHC11573	177.47
	AHC11117	208446-		N-N-10		100 mm	JD-AH212102	80.88
BACKHOE STABILIZER (RH)	AHC11116	208446-		P-UB-1	50 mm		JD-AHC11573	177.47
	AHC11116	208446-		N-N-10		90 mm	JD-AH212097	26.38

LA - Long Arm LGP - Low Ground Pressure LT - Long Track MFWD - Mechanical Front Wheel Drive MP - Multi-Purpose
 IDM - Inside Dozer Mount ODM - Outside Dozer Mount SLF - Super Long Front STD - Straight Dozer WT - Wide Track

FORMERLY LISTED REPAIR PARTS ARE AVAILABLE ONLINE AT WWW.HERCULESUS.COM
 OR BY CONTACTING YOUR REGIONAL HERCULES SALES TEAM.

Replacement Kits For

JOHN DEERE®

Backhoe Loaders								
APPLICATION	CYL #	SERIAL #	Misc	CODE	ROD	BORE	KIT #	List \$
MODEL 310SK								
BACKHOE STABILIZER (RH)	AHC11118	208446-		P-UB-1	50 mm		JD-AHC11573	177.47
	AHC11118	208446-		N-N-10		100 mm	JD-AH212102	80.88
BACKHOE THUMB	AHC11115	207436-		P-UB-1	50 mm		JD-AHC11573	177.47
	AHC11115	207436-		N-N-10		90 mm	JD-AH212097	26.38
BOOM LIFT	AHC11110			P-UB-1	50 mm		JD-AHC11573	177.47
	AHC11110			N-N-10		80 mm	JD-AH212092	59.07
CROWD	AH219637			P-UB-1	63 mm		JD-AH149815	96.10
	AH219637			N-N-14		115 mm	JD-AH212103	191.55
FRONT COUPLER	AH217348			I-U-10	25 mm	40 mm	JD-AH176272	43.25
LOADER BUCKET	AHC11107	202928-		P-UB-1	50 mm		JD-AHC11573	177.47
	AHC11107	202928-		N-N-10		90 mm	JD-AH212097	26.38
STEERING (MFWD)	AT326542			I-U-10	40 mm	65 mm	JD-T218502	183.72
SWING	AHC11321	203180-		P-UB-1	50 mm		JD-AHC11573	177.47
	AHC11321	203180-		N-N-14		90 mm	JD-AH212096	107.61
MODEL 310SK TC								
BACKHOE BUCKET	AH219638			P-UB-1	63 mm		JD-AH149815	96.10
	AH219638			N-N-14		100 mm	JD-AH212101	129.27
BACKHOE STABILIZER (LH)	AHC11117	208446-		P-UB-1	50 mm		JD-AHC11573	177.47
	AHC11117	208446-		N-N-10		100 mm	JD-AH212102	80.88
BACKHOE STABILIZER (RH)	AHC11118	208446-		P-UB-1	50 mm		JD-AHC11573	177.47
	AHC11118	208446-		N-N-10		100 mm	JD-AH212102	80.88
BACKHOE THUMB	AHC11115	207436-		P-UB-1	50 mm		JD-AHC11573	177.47
	AHC11115	207436-		N-N-10		90 mm	JD-AH212097	26.38
BOOM LIFT	AH216775			P-UB-1	56 mm		JD-AH149814	94.40
	AH216775			N-N-14		90 mm	JD-AH212096	107.61
FRONT COUPLER	AH217348			I-U-10	25 mm	40 mm	JD-AH176272	43.25
LOADER BUCKET	AH233998			P-UB-1	56 mm		JD-AH149814	94.40
	AH233998			N-N-14		100 mm	JD-AH212101	129.27
STEERING (MFWD)	AT326542			I-U-10	40 mm	65 mm	JD-T218502	183.72
SWING	AHC11321	203180-		P-UB-1	50 mm		JD-AHC11573	177.47
	AHC11321	203180-		N-N-14		90 mm	JD-AH212096	107.61
MODEL 310SL								
BACKHOE BOOM	AHC14400			P-UB-1	63 mm		JD-AHC13362	132.05
	AHC14400			N-N-14		125 mm	JD-AHC16760	196.75
	AHC15730			P-UB-1	56 mm		JD-AHC16683	87.31
	AHC15730			N-N-14		120 mm	JD-AH149847	206.53
BACKHOE BUCKET	AHC14434			P-UB-1	56 mm		JD-AHC16683	87.31
	AHC14434			N-N-10,14		90 mm	JD-AHC19979	99.26
BACKHOE BUCKET HEAVY DUTY	AHC15705			P-UB-1	63 mm		JD-AHC13362	132.05
	AHC15705			N-N-14		100 mm	JD-AHC19515	91.20
BACKHOE CROWD	AHC14430	-343157		P-UB-1	63 mm		JD-AHC13362	132.05
	AHC14430	-343157		N-N-14		115 mm	JD-AH212103	191.55
BACKHOE CROWD EXT DIPPERSTICK	AHC14448			I,P-UB-1	45 mm		JD-AHC11572	135.92
	AHC14448			N-N-10		80 mm	JD-AH212092	59.07
	AHC14477			I,P-UB-1	40 mm		JD-AHC13485	107.05
	AHC14477			N-N-10		70 mm	JD-AH212090	20.04
BACKHOE CROWD STD DIPPERSTICK	AHC16599	-343155		P-UB-1	63 mm		JD-AHC13362	132.05
	AHC16599	-343155		N-N-14		120 mm	JD-AH149847	206.53
	AHC19446	343158-		P-UB-1	63 mm		JD-AHC13362	132.05
	AHC19446	343158-		N-N-14		115 mm	JD-AH212103	191.55

LA - Long Arm LGP - Low Ground Pressure LT - Long Track MFWD - Mechanical Front Wheel Drive MP - Multi-Purpose
 IDM - Inside Dozer Mount ODM - Outside Dozer Mount SLF - Super Long Front STD - Straight Dozer WT - Wide Track

Replacement Kits For

JOHN DEERE®

JOHN DEERE®

Backhoe Loaders								
APPLICATION	CYL #	SERIAL #	Misc	CODE	ROD	BORE	KIT #	List \$
MODEL 310SL								
BACKHOE CROWD STD DIPPERSTICK	AHC19448	343156-		P-UB-1	63 mm		JD-AHC13362	132.05
	AHC19448	343156-		N-N-14		120 mm	JD-AH149847	206.53
BACKHOE STABILIZER EXT LH	AHC14417			P-UB-1	50 mm		JD-AHC16954	108.98
	AHC14417			N-N-10		100 mm	JD-AH212102	80.88
BACKHOE STABILIZER EXT RH	AHC14418			P-UB-1	50 mm		JD-AHC16954	108.98
	AHC14418			N-N-10		100 mm	JD-AH212102	80.88
BACKHOE STABILIZER LH	AHC14415			P-UB-1	50 mm		JD-AHC16954	108.98
	AHC14415			N-N-10		90 mm	JD-AH212097	26.38
BACKHOE STABILIZER RH	AHC14416			P-UB-1	50 mm		JD-AHC16954	108.98
	AHC14416			N-N-10		90 mm	JD-AH212097	26.38
BACKHOE SWING	AHC16214	-304844		P-UB-1	50 mm		JD-AHC16954	108.98
	AHC16214	-304844		N-N-10,14		90 mm	JD-AHC19979	99.26
	AHC18280	304845-		P-UB-1	50 mm		JD-AHC16954	108.98
	AHC18280	304845-		N-N-10,14		90 mm	JD-AHC19979	99.26
GRAPPLE THUMB	AHC14415			P-UB-1	50 mm		JD-AHC16954	108.98
	AHC14415			N-N-10		90 mm	JD-AH212097	26.38
LOADER BOOM	AHC14410	-338469		P-UB-1	50 mm		JD-AHC16954	108.98
	AHC14410	-338469		N-N-10		80 mm	JD-AH212092	59.07
	AHC18267	338470-		P-UB-1	50 mm		JD-AHC16954	108.98
	AHC18267	338470-		N-N-10		80 mm	JD-AH212092	59.07
LOADER BUCKET	AHC14450			P-UB-1	50 mm		JD-AHC16954	108.98
	AHC14450			N-N-10		90 mm	JD-AH212097	26.38
LOADER BUCKET MP	AHC15426			P-UB-1	50 mm		JD-AHC16954	108.98
	AHC15426			N-N-10		80 mm	JD-AH212092	59.07
LOADER QUICK COUPLER	AHC14445			I-U-1	25 mm		JD-AHC16980	20.54
	AHC14445			N-N-10,14		40 mm	JD-AHC17687	80.10
STEERING	AT326542			I-U-10	40 mm	65 mm	JD-T218502	183.72
MODEL 315SE								
BACKHOE BOOM	AH211132			P-UB-1	56 mm		JD-AH149814	94.40
	AH211132			N-N-14		120 mm	JD-AH149847	206.53
BACKHOE CROWD	AH164137	870159-872967		P-UB-1	63 mm		JD-AH149815	96.10
	AH164137	870159-872967		N-N-14		115 mm	JD-AH212103	191.55
BACKHOE STABILIZER	AH154788			P-UB-1	45 mm		JD-RE20434	92.84
	AH154788			N-N-14		70 mm	JD-AH212089	60.27
	AH211348			I,P-UB-1	45 mm		JD-AH149813	95.91
	AH211348			N-N-14		70 mm	JD-AH212089	60.27
	RE32168			P-UB-1	45 mm		JD-RE20434	92.84
	RE32168			N-N-14		70 mm	JD-AH212089	60.27
EXT ARM	AH211361			I,P-UB-1	45 mm		JD-AH149813	95.91
	AH211361			N-N-14		70 mm	JD-AH212089	60.27
EXT DIPPERSTICK	AH211361			I,P-UB-1	45 mm		JD-AH149813	95.91
	AH211361			N-N-14		70 mm	JD-AH212089	60.27
LOADER BOOM	AH146874			P-UB-1	50 mm		JD-AH210484	66.46
	AH146874			N-N-14		80 mm	JD-AH212091	136.57
LOADER BOOM LIFT	AH211206			P-UB-1	50 mm		JD-AH210484	66.46
	AH211206			N-N-10		80 mm	JD-AH212092	59.07
LOADER BUCKET	AH146873	-881677		P-UB-1	45 mm		JD-AH147868	52.28
	AH146873	-881677		N-N-14		80 mm	JD-AH212091	136.57
	AH216338	881678-		P-UB-1	50 mm		JD-AH210484	66.46
	AH216338	881678-		N-N-14		90 mm	JD-AH212096	107.61
SWING	AH147888			P-UB-1	50 mm		JD-AH210484	66.46
	AH147888			N-N-14		90 mm	JD-AH212096	107.61

LA - Long Arm LGP - Low Ground Pressure LT - Long Track MFWD - Mechanical Front Wheel Drive MP - Multi-Purpose
 IDM - Inside Dozer Mount ODM - Outside Dozer Mount SLF - Super Long Front STD - Straight Dozer WT - Wide Track

FORMERLY LISTED REPAIR PARTS ARE AVAILABLE ONLINE AT WWW.HERCULESUS.COM
 OR BY CONTACTING YOUR REGIONAL HERCULES SALES TEAM.

Replacement Kits For

JOHN DEERE®

Backhoe Loaders								
APPLICATION	CYL #	SERIAL #	Misc	CODE	ROD	BORE	KIT #	List \$
MODEL 401D								
Backhoe Arrangement			9250B					
BACKHOE BOOM		All		P-V-1	2		JD-RE16119	42.77
		All		N-N-14		4	JD-RE16118	127.53
BACKHOE BUCKET		All		P-V-8	1-3/4	3	JD-RE18751	59.07
BACKHOE CROWD		All		P-V-8	1-3/4	3-1/2	JD-RE18755	74.55
BACKHOE STABILIZER		All		P-V-8	1-3/4	3-1/2	JD-RE18754	92.49
BACKHOE SWING		All		P-U-10	1-3/4	3-1/2	JD-RE18756	78.21
LOADER BOOM LIFT		Non-Self Lvl Bucket		P-V-8	1-3/4	2-3/4	JD-RE19220	62.52
		Self Lvl Bucket		P-V-1	1-3/4		JD-RE16209	50.07
		Self Lvl Bucket		N-N-14		3-1/4	JD-RE30816	105.36
LOADER BUCKET TILT		Self Lvl Bucket		P-V-8	1-1/4	2-1/2	JD-AR105453	57.56
		Non-Self Lvl Bucket		P-V-8	1-1/2	2-1/2	JD-RE19217	48.59
STEERING		All		P-U-10	7/8	2	JD-RE18749	39.76
MODEL 410D								
BACKHOE BOOM	AH135265	All	Std Boom	P-UB-1	63 mm		JD-RE25151	175.66
	AH135265	All	Std Boom	N-N-14		115 mm	JD-RE31140	188.34
	RE15647	All	Hvy Lift Boom	P-V-1	2-1/2		JD-RE14745	70.12
	RE15647	All	Hvy Lift Boom	N-N-14		5	JD-RE14744	163.31
BACKHOE BUCKET	RE25622	All		P-UB-1	50 mm		JD-RE20595	82.00
	RE25622	All		N-N-14		90 mm	JD-RE20430	77.46
BACKHOE CROWD	AH135266	All	Hvy Lift Boom	P-UB-1	63 mm		JD-RE25151	175.66
	AH135266	All	Hvy Lift Boom	N-N-14		115 mm	JD-RE31140	188.34
	AH138661	All	Std Boom	P-UB-1	56 mm		JD-RE31716	143.20
	AH138661	All	Std Boom	N-N-14		100 mm	JD-AH137687	113.73
BACKHOE STABILIZER	AH135635	All		P-UB-1	50 mm		JD-RE20595	82.00
	AH135636	All		N-N-14		100 mm	JD-AH137687	113.73
BACKHOE SWING	RE33472	All		P-UB-1	50 mm		JD-RE20595	82.00
	RE33472	All		N-N-14		100 mm	JD-AH137687	113.73
DIPPER EXT (1.2M)	AH141377			P-UB-1	45 mm		JD-RE20434	92.84
	AH141377			N-N-10		80 mm	JD-RE37003	24.25
	AT10163			I-U-5	1-1/2	3	JD-AT79722	75.16
DIPPER EXT (1.5M)	AH141378			P-UB-1	45 mm		JD-RE20434	92.84
	AH141378			N-N-10		80 mm	JD-RE37003	24.25
	AT84174			I-U-5	1-1/2	3	JD-AT79722	75.16
LOADER BOOM LIFT	AH138931	All		P-UB-1	45 mm		JD-RE20434	92.84
	AH138931	All		N-N-14		90 mm	JD-RE20430	77.46
LOADER BUCKET TILT	RE38227	All		P-UB-1	45 mm		JD-RE20434	92.84
	RE38227	All		N-N-14		90 mm	JD-RE20430	77.46
LOADER CLAM	AT142578	All		P-U-10	2	3	JD-AT142582	78.21
STEERING	AT195570			I-U-10	36 mm	65 mm	JD-T153744	157.79
STEERING (Power)	AH134479	780659-		P-UB-1	25 mm		JD-RE21875	80.91
	AH134479	780659-		N-N-10		2-1/4	JD-RE30100	10.51
	AH13930	-780658		P-UB-1	25 mm		JD-RE21875	80.91
	AH13930	-780658		N-N-10		2	JD-AH137789	9.88
MODEL 410E								
BACKHOE BOOM	AH175366			P-UB-1	63 mm		JD-AH149815	96.10
	AH175366			N-N-14		125 mm	JD-AH149848	269.84
BACKHOE BUCKET	AH220526			P-UB-1	63 mm		JD-AH149815	96.10
	AH220526			N-N-14		100 mm	JD-AH212101	129.27
BACKHOE CROWD	AH164138	873598-		P-UB-1	63 mm		JD-AH149815	96.10
	AH164138	-837228		P-UB-1	63 mm		JD-AH149815	96.10
	AH164138	837229-873597		P-UB-1	63 mm		JD-AH149815	96.10
	AH164138	-837228		N-N-14		115 mm	JD-AH212103	191.55
	AH164138	837229-873597		N-N-14		115 mm	JD-AH212103	191.55
	AH164138	873598-		N-N-14		115 mm	JD-AH212103	191.55

LA - Long Arm LGP - Low Ground Pressure LT - Long Track MFWD - Mechanical Front Wheel Drive MP - Multi-Purpose
 IDM - Inside Dozer Mount ODM - Outside Dozer Mount SLF - Super Long Front STD - Straight Dozer WT - Wide Track

Replacement Kits For

JOHN DEERE®

JOHN DEERE®

Backhoe Loaders								
APPLICATION	CYL #	SERIAL #	Misc	CODE	ROD	BORE	KIT #	List \$
MODEL 410E								
BACKHOE DIPPER STICK	AH209719			N-N-14		70 mm	JD-AH212089	60.27
BACKHOE STABILIZER	AH219541			P-UB-1	50 mm		JD-AH210484	66.46
	AH219541			N-N-14		100 mm	JD-AH212101	129.27
BACKHOE SWING	AH147888			P-UB-1	50 mm		JD-AH210484	66.46
	AH147888			N-N-14		90 mm	JD-AH212096	107.61
LOADER BOOM	AH211206			P-UB-1	50 mm		JD-AH210484	66.46
	AH211206			N-N-14		80 mm	JD-AH212091	136.57
	AH211206			N-N-10		80 mm	JD-AH212092	59.07
LOADER BUCKET	AH146873	-88167		P-UB-1	45 mm		JD-AH147868	52.28
	AH146873	-88167		N-N-14		80 mm	JD-AH212091	136.57
	AH216338	881678-		N-N-14		90 mm	JD-AH212096	107.61
MODEL 410G								
BACKHOE BOOM		-945072		P-UB-1	63 mm		JD-AH149815	96.10
		-945072		N-N-14		125 mm	JD-AH149848	269.84
	AH175366	945073-		P-UB-1	63 mm		JD-AH149815	96.10
	AH175366	945073-		N-N-14		125 mm	JD-AH149848	269.84
BACKHOE BUCKET	AH149791	-926799		P-UB-1	63 mm		JD-AH149815	96.10
	AH149791	-926799		N-N-14		100 mm	JD-AH212101	129.27
	AH220526	926800-		P-UB-1	63 mm		JD-AH149815	96.10
	AH220526	926800-		N-N-14		100 mm	JD-AH212101	129.27
BACKHOE STABILIZER		925994-952006		P-UB-1	50 mm		JD-AH210484	66.46
		-925993		P-UB-1	50 mm		JD-AH210484	66.46
		-925993		N-N-14		100 mm	JD-AH212101	129.27
		925994-952006		N-N-10		100 mm	JD-AH212102	80.88
	AH219541	952007-		P-UB-1	50 mm		JD-AH210484	66.46
	AH219541	952007-		N-N-10		100 mm	JD-AH212102	80.88
	AH219542	952007-		P-UB-1	50 mm		JD-AH210484	66.46
	AH219542	952007-		N-N-10		100 mm	JD-AH212102	80.88
BACKHOE SWING		-957114		P-UB-1	50 mm		JD-AH210484	66.46
		-957114		N-N-14		90 mm	JD-AH212096	107.61
	AH220108	957115-		P-UB-1	50 mm		JD-AH210484	66.46
	AH220108	957115-		N-N-14		90 mm	JD-AH212096	107.61
BOOM	AH211206	926301-		P-UB-1	50 mm		JD-AH210484	66.46
	AH211206	926301-		N-N-10		80 mm	JD-AH212092	59.07
BOOM LIFT	AH211206	-910494		P-UB-1	50 mm		JD-AH210484	66.46
	AH211206	810495-926300		P-UB-1	50 mm		JD-AH210484	66.46
	AH211206	-910494		N-N-14		80 mm	JD-AH212091	136.57
	AH211206	810495-926300		N-N-10		80 mm	JD-AH212092	59.07
BUCKET (MP)		-925076		I-U-10	2	3	JD-AT190898	132.82
CROWD	AH164138			P-UB-1	63 mm		JD-AH149815	96.10
	AH164138			N-N-14		115 mm	JD-AH212103	191.55
EXT CROWD		-911725		I,P-UB-1	45 mm		JD-AH149813	95.91
		911726-927725		I,P-UB-1	45 mm		JD-AH149813	95.91
		911726-927725		N-N-10		70 mm	JD-AH212090	20.04
		-911725		N-N-14		70 mm	JD-AH212089	60.27
	AH209719	927726-		I,P-UB-1	40 mm		JD-AH149194	80.03
	AH209719	927726-		N-N-10		70 mm	JD-AH212090	20.04
LOADER BUCKET	AH216338	-941225		P-UB-1	50 mm		JD-AH210484	66.46
	AH216338	941226-		P-UB-1	50 mm		JD-AH210484	66.46
	AH216338	-941225		N-N-14		90 mm	JD-AH212096	107.61
	AH216338	941226-		N-N-14		90 mm	JD-AH212096	107.61
STEERING (MFWD)	AT195570	-911131		I-U-10	36 mm	65 mm	JD-T153744	157.79
STEERING (Power)				P-UB-1	25 mm		JD-AH149810	75.45
			w/o MFWD	N-N-10		2-1/4	JD-RE30100	10.51

LA - Long Arm LGP - Low Ground Pressure LT - Long Track MFWD - Mechanical Front Wheel Drive MP - Multi-Purpose
 IDM - Inside Dozer Mount ODM - Outside Dozer Mount SLF - Super Long Front STD - Straight Dozer WT - Wide Track

FORMERLY LISTED REPAIR PARTS ARE AVAILABLE ONLINE AT WWW.HERCULESUS.COM
 OR BY CONTACTING YOUR REGIONAL HERCULES SALES TEAM.

Replacement Kits For

JOHN DEERE®

Backhoe Loaders								
APPLICATION	CYL #	SERIAL #	Misc	CODE	ROD	BORE	KIT #	List \$
MODEL 410J								
BACKHOE BOOM	AH219639			P-UB-1	63 mm		JD-AH149815	96.10
	AH219639			N-N-14		125 mm	JD-AH149848	269.84
BACKHOE BUCKET	AH219638			P-UB-1	63 mm		JD-AH149815	96.10
	AH219638			N-N-14		100 mm	JD-AH212101	129.27
BACKHOE THUMB	AH233825			P-UB-1	50 mm		JD-AH210484	66.46
	AH233825			N-N-10		90 mm	JD-AH212097	26.38
BOOM LIFT	AH211206			P-UB-1	50 mm		JD-AH210484	66.46
	AH211206			N-N-10		80 mm	JD-AH212092	59.07
BUCKET (MP)	AH210737			I-U-14	50 mm	3	JD-AH209022	125.26
CROWD	AH219640			P-UB-1	63 mm		JD-AH149815	96.10
	AH219640			N-N-14		115 mm	JD-AH212103	191.55
EXT DIPPERSTICK	AH209719			I,P-UB-1	40 mm		JD-AH149194	80.03
	AH209719			N-N-10		70 mm	JD-AH212090	20.04
LOADER BOOM	AH211206			P-UB-1	50 mm		JD-AH210484	66.46
	AH211206			N-N-10		80 mm	JD-AH212092	59.07
LOADER BUCKET	AH219634			P-UB-1	50 mm		JD-AH210484	66.46
	AH219634			N-N-10		90 mm	JD-AH212097	26.38
STABILIZER	AH219541			P-UB-1	50 mm		JD-AH210484	66.46
	AH219541			N-N-10		100 mm	JD-AH212102	80.88
	AH219542			P-UB-1	50 mm		JD-AH210484	66.46
	AH219542			N-N-10		100 mm	JD-AH212102	80.88
STEERING	AT326542			I-U-10	40 mm	65 mm	JD-T218502	183.72
SWING	AH220108			P-UB-1	50 mm		JD-AH210484	66.46
	AH220108			N-N-14		90 mm	JD-AH212096	107.61
MODEL 410K								
BACKHOE BUCKET	AH219638			P-UB-1	63 mm		JD-AH149815	96.10
	AH219638			N-N-14		100 mm	JD-AH212101	129.27
BACKHOE STABILIZER (LH)	AHC11115	208446-		P-UB-1	50 mm		JD-AHC11573	177.47
	AHC11115	208446-		N-N-10		90 mm	JD-AH212097	26.38
	AHC11117	208446-		P-UB-1	50 mm		JD-AHC11573	177.47
	AHC11117	208446-		N-N-10		100 mm	JD-AH212102	80.88
BACKHOE STABILIZER (RH)	AHC11116	208446-		P-UB-1	50 mm		JD-AHC11573	177.47
	AHC11116	208446-		N-N-10		90 mm	JD-AH212097	26.38
	AHC11118	208446-		P-UB-1	50 mm		JD-AHC11573	177.47
	AHC11118	208446-		N-N-10		100 mm	JD-AH212102	80.88
BACKHOE THUMB	AHC11115	207436-		P-UB-1	50 mm		JD-AHC11573	177.47
	AHC11115	207436-		N-N-10		90 mm	JD-AH212097	26.38
BOOM LIFT	AHC11110			P-UB-1	50 mm		JD-AHC11573	177.47
	AHC11110			N-N-10		80 mm	JD-AH212092	59.07
FRONT COUPLER	AH217348			I-U-10	25 mm	40 mm	JD-AH176272	43.25
LOADER BUCKET	AHC11107	202928-		P-UB-1	50 mm		JD-AHC11573	177.47
	AHC11107	202928-		N-N-10		90 mm	JD-AH212097	26.38
STEERING (MFWD)	AT326542			I-U-10	40 mm	65 mm	JD-T218502	183.72
SWING	AHC11321	203180-		P-UB-1	50 mm		JD-AHC11573	177.47
	AHC11321	203180-		N-N-14		90 mm	JD-AH212096	107.61
MODEL 410K TC								
BACKHOE BUCKET	AH219638			P-UB-1	63 mm		JD-AH149815	96.10
	AH219638			N-N-14		100 mm	JD-AH212101	129.27
BACKHOE STABILIZER (LH)	AHC11117	208446-		P-UB-1	50 mm		JD-AHC11573	177.47
	AHC11117	208446-		N-N-10		100 mm	JD-AH212102	80.88
	AHC11118	208446-		P-UB-1	50 mm		JD-AHC11573	177.47
	AHC11118	208446-		N-N-10		100 mm	JD-AH212102	80.88
BACKHOE THUMB	AHC11115	207436-		P-UB-1	50 mm		JD-AHC11573	177.47

LA - Long Arm LGP - Low Ground Pressure LT - Long Track MFWD - Mechanical Front Wheel Drive MP - Multi-Purpose
 IDM - Inside Dozer Mount ODM - Outside Dozer Mount SLF - Super Long Front STD - Straight Dozer WT - Wide Track

JOHN DEERE®

Replacement Kits For

JOHN DEERE®

JOHN DEERE®

Backhoe Loaders								
APPLICATION	CYL #	SERIAL #	Misc	CODE	ROD	BORE	KIT #	List \$
MODEL 410K TC								
BACKHOE THUMB	AHC11115	207436-		N-N-10		90 mm	JD-AH212097	26.38
BOOM LIFT	AH216775			P-UB-1	56 mm		JD-AH149814	94.40
	AH216775			N-N-14		90 mm	JD-AH212096	107.61
FRONT COUPLER	AH217348			I-U-10	25 mm	40 mm	JD-AH176272	43.25
LOADER BUCKET	AH233998			P-UB-1	56 mm		JD-AH149814	94.40
	AH233998			N-N-14		100 mm	JD-AH212101	129.27
STEERING (MFWD)	AT326542			I-U-10	40 mm	65 mm	JD-T218502	183.72
SWING	AHC11323	206264-		P-UB-1	50 mm		JD-AHC11573	177.47
	AHC11323	206264-		N-N-14		90 mm	JD-AH212096	107.61
MODEL 410L								
BACKHOE BOOM	AHC15707			P-UB-1	70 mm		JD-AHC16724	151.22
	AHC15707			N-N-10,14		140 mm	JD-AHC20315	205.72
BACKHOE BUCKET	AHC15705			P-UB-1	63 mm		JD-AHC13362	132.05
	AHC15705			N-N-14		100 mm	JD-AHC19515	91.20
BACKHOE CROWD	AHC16608	-343159		P-UB-1	63 mm		JD-AHC13362	132.05
	AHC16608	-343159		N-N-14		120 mm	JD-AH149847	206.53
	AHC19456	343160-		P-UB-1	63 mm		JD-AHC13362	132.05
	AHC19456	343160-		N-N-14		120 mm	JD-AH149847	206.53
BACKHOE DIPPERSTICK	AHC14449			I,P-UB-1	45 mm		JD-AHC11572	135.92
	AHC14449			N-N-10		80 mm	JD-AH212092	59.07
	AHC14449			Unitized Piston		80 mm	JD-RE33968	261.10
BACKHOE STABILIZER LH	AHC14417			P-UB-1	50 mm		JD-AHC16954	108.98
	AHC14417			N-N-10		100 mm	JD-AH212102	80.88
	AHC14417			Unitized Piston		90 mm	JD-AH205062	522.78
BACKHOE STABILIZER RH	AHC14418			P-UB-1	50 mm		JD-AHC16954	108.98
	AHC14418			N-N-10		100 mm	JD-AH212102	80.88
	AHC14418			Unitized Piston		90 mm	JD-AH205062	522.78
BACKHOE SWING	AHC14475	-304844		P-UB-1	50 mm		JD-AHC16954	108.98
	AHC14475	-304844		N-N-10,14		90 mm	JD-AHC19979	99.26
	AHC18280	304845-		P-UB-1	50 mm		JD-AHC16954	108.98
	AHC18280	304845-		N-N-10,14		90 mm	JD-AHC19979	99.26
LOADER BOOM	AHC14410	-338467		P-UB-1	50 mm		JD-AHC16954	108.98
	AHC14410	-338467		N-N-10		80 mm	JD-AH212092	59.07
	AHC14410	-338467		Unitized Piston		80 mm	JD-AH165826	203.43
	AHC18267	338468-		P-UB-1	50 mm		JD-AHC16954	108.98
	AHC18267	338468-		N-N-10		80 mm	JD-AH212092	59.07
	AHC18267	338468-		Unitized Piston		80 mm	JD-AH165826	203.43
LOADER BUCKET	AHC14450			P-UB-1	50 mm		JD-AHC16954	108.98
	AHC14450			N-N-10		90 mm	JD-AH212097	26.38
	AHC14450			Unitized Piston		90 mm	JD-AH205060	314.34
LOADER BUCKET MP	AHC15426			P-UB-1	50 mm		JD-AHC16954	108.98
	AHC15426			N-N-10		80 mm	JD-AH212092	59.07
	AHC15426			Unitized Piston		80 mm	JD-AH173410	256.39
LOADER QUICK COUPLER	AHC14445			I-U-1	25 mm		JD-AHC16980	20.54
	AHC14445			N-N-10,14		40 mm	JD-AHC17687	80.10
STEERING	AT326542			I-U-10	40 mm	65 mm	JD-T218502	183.72
THUMB	AHC14415			P-UB-1	50 mm		JD-AHC16954	108.98
	AHC14415			N-N-10		90 mm	JD-AH212097	26.38
	AHC14415			Unitized Piston		90 mm	JD-AH205060	314.34
MODEL 415B								
BACKHOE BOOM		All		P-V-1	2-1/4		JD-RE14208	61.15
		All		N-N-14		4-1/2	JD-RE14523	132.27
BACKHOE BUCKET		All		P-U-1	2-1/2		JD-RE14516	61.50
		All		N-N-14		3-1/2	JD-RE16076	123.61
BACKHOE CROWD		All		P-V-1	2		JD-RE16119	42.77

LA - Long Arm LGP - Low Ground Pressure LT - Long Track MFWD - Mechanical Front Wheel Drive MP - Multi-Purpose
 IDM - Inside Dozer Mount ODM - Outside Dozer Mount SLF - Super Long Front STD - Straight Dozer WT - Wide Track

FORMERLY LISTED REPAIR PARTS ARE AVAILABLE ONLINE AT WWW.HERCULESUS.COM
 OR BY CONTACTING YOUR REGIONAL HERCULES SALES TEAM.

Replacement Kits For

JOHN DEERE®

Backhoe Loaders								
APPLICATION	CYL #	SERIAL #	Misc	CODE	ROD	BORE	KIT #	List \$
MODEL 415B								
BACKHOE CROWD		All		N-N-14		4	JD-RE16118	127.53
BACKHOE STABILIZER		All		N-N-14		3	JD-RE14082	113.14
BACKHOE SWING		All		P-U-1	2		JD-RE14556	40.62
		All		N-N-10		4	JD-RE14555	123.01
LOADER BOOM LIFT		All		P-V-1	1-3/4		JD-RE16209	50.07
		All		N-N-14		3-1/4	JD-RE30816	105.36
LOADER BUCKET TILT		All		P-V-1	1-3/4		JD-RE30874	46.59
		All		N-N-14		3-1/2	JD-RE14517	122.24
STEERING		All		P-U-1	1		JD-RE14552	21.44
		All		N-N-10		2	JD-RE14551	18.47
MODEL 510D								
BACKHOE BOOM	RE15647	All		P-V-1	2-1/2		JD-RE14745	70.12
	RE15647	All		N-N-14		5	JD-RE14744	163.31
BACKHOE BUCKET	RE25622	All		P-UB-1	45 mm		JD-RE20434	92.84
	RE25622	All		N-N-14		90 mm	JD-RE20430	77.46
BACKHOE CROWD	AH135266	All		P-UB-1	63 mm		JD-RE25151	175.66
	AH135266	All		N-N-14		115 mm	JD-RE31140	188.34
BACKHOE STABILIZER	AH135635	All		P-UB-1	50 mm		JD-RE20595	82.00
	AH135635	All		N-N-14		100 mm	JD-AH137687	113.73
	AH135636			P-UB-1	50 mm		JD-RE20595	82.00
	AH135636			N-N-14		100 mm	JD-AH137687	113.73
BACKHOE SWING	RE33472	All		P-UB-1	50 mm		JD-RE20595	82.00
	RE33472	All		N-N-14		100 mm	JD-AH137687	113.73
DIPPER EXTENSION	AH141378			P-UB-1	45 mm		JD-RE20434	92.84
	AH141378			N-N-10		80 mm	JD-RE37003	24.25
	AT84174			I-U-5	1-1/2	3	JD-AT79722	75.16
LOADER BOOM LIFT	AH138931	All		P-UB-1	45 mm		JD-RE20434	92.84
	AH138931	All		N-N-14		90 mm	JD-RE20430	77.46
LOADER BUCKET TILT	RE38230	All		P-UB-1	50 mm		JD-RE20595	82.00
	RE38230	All		N-N-14		100 mm	JD-AH137687	113.73
LOADER CLAM	AT142578	All		P-U-10	2	3	JD-AT142582	78.21
STEERING	AT195570			I-U-10	36 mm	65 mm	JD-T153744	157.79
STEERING (Power)	AH134479	780659-		P-UB-1	25 mm		JD-RE21875	80.91
	AH134479	780659-		N-N-10		2-1/4	JD-RE30100	10.51
	AH139130	-780658		P-UB-1	25 mm		JD-RE21875	80.91
	AH139130	-780658		N-N-10		2	JD-AH137789	9.88
MODEL 515B								
BACKHOE BOOM		All		P-V-1	2-1/4		JD-RE14208	61.15
		All		N-N-14		4-1/2	JD-RE14523	132.27
BACKHOE BUCKET		All		P-V-1	2-1/4		JD-RE14538	45.84
		All		N-N-14		3-1/2	JD-RE16076	123.61
BACKHOE CROWD		All		P-U-1	2-1/4		JD-AH139417	64.13
		All		N-N-14		4-1/2	JD-RE14523	132.27
BACKHOE STABILIZER		All		N-N-14		3	JD-RE14082	113.14
BACKHOE SWING		All		P-U-1	2		JD-RE14556	40.62
LOADER BOOM LIFT		All		N-N-10		4	JD-RE14555	123.01
		All		P-V-1	1-3/4		JD-RE16209	50.07
LOADER BUCKET TILT		All		N-N-14		3-1/2	JD-RE14517	122.24
		All		P-V-1	2		JD-RE16119	42.77
STEERING		All		N-N-14		4	JD-RE14567	131.09
		All		P-U-1	1		JD-RE14552	21.44
		All		N-N-10		2	JD-RE14551	18.47
MODEL 710D								
BACKHOE BOOM	AH142927			P-UB-1	63 mm		JD-RE25151	175.66
	AH142927			N-N-10,14		100 mm	JD-AHC19978	112.43

LA - Long Arm LGP - Low Ground Pressure LT - Long Track MFWD - Mechanical Front Wheel Drive MP - Multi-Purpose
 IDM - Inside Dozer Mount ODM - Outside Dozer Mount SLF - Super Long Front STD - Straight Dozer WT - Wide Track

Replacement Kits For

JOHN DEERE®

JOHN DEERE®

Backhoe Loaders								
APPLICATION	CYL #	SERIAL #	Misc	CODE	ROD	BORE	KIT #	List \$
MODEL 710D								
BACKHOE BOOM	AH142928			P-UB-1	80 mm		JD-RE25152	257.14
	AH142928			N-N-10,14		160 mm	JD-AHC20316	181.69
BACKHOE BUCKET	AH142927			P-UB-1	63 mm		JD-RE25151	175.66
	AH142927			N-N-10,14		100 mm	JD-AHC19978	112.43
BACKHOE CROWD	AH142926			P-UB-1	70 mm		JD-AH142089	217.04
	AH142926			N-N-10,14		140 mm	JD-AHC20315	205.72
	AH142926			N-N-14		140 mm	JD-AH137209	233.01
BACKHOE STABILIZER	AH154791	831990-		P-UB-1	63 mm		JD-AHC13362	132.05
	AH154791	831990-		N-N-10,14		115 mm	JD-AHC21922	109.62
	RE36942	-831989		P-UB-1	63 mm		JD-RE28899	167.58
	RE36942	-831989		N-N-10,14		115 mm	JD-AHC21922	109.62
BACKHOE SWING	AH141405			P-UB-1	56 mm		JD-RE31716	143.20
	AH141405			N-N-10,14		115 mm	JD-AHC21922	109.62
	AH154781			P-UB-1	56 mm		JD-AHC16683	87.31
	AH154781			N-N-10,14		115 mm	JD-AHC21922	109.62
EXT DIPPERSTICK	AH146325			P-UB-1	45 mm		JD-RE20434	92.84
	AH146325			N-N-10		80 mm	JD-AHC22107	75.07
	AH155668			I,P-UB-1	45 mm		JD-AH149813	95.91
	AH155668			N-N-10		80 mm	JD-RE37003	24.25
	AH212092			I,P-UB-1	45 mm		JD-AHC11572	135.92
	AH212092			N-N-10		80 mm	JD-AHC22107	75.07
	AH216316			I,P-UB-1	45 mm		JD-AHC11572	135.92
	AH216316			N-N-10		80 mm	JD-AHC22107	75.07
LOADER BOOM	AH154789			P-UB-1	56 mm		JD-AHC16683	87.31
	AH154789			N-N-10,14		100 mm	JD-AHC19978	112.43
	RE32557			P-UB-1	56 mm		JD-RE31716	143.20
	RE32557			N-N-10,14		100 mm	JD-AHC19978	112.43
LOADER BUCKET	AH154792			P-UB-1	56 mm		JD-AHC16683	87.31
	AH154792			N-N-10,14		115 mm	JD-AHC21922	109.62
	RE37702			P-UB-1	56 mm		JD-RE31716	143.20
	RE37702			N-N-10,14		115 mm	JD-AHC21922	109.62
MULTI-PURPOSE	AT142578			P-U-10	2	3	JD-AT142582	78.21
STEERING (Power)	AH154794			I,P-U-1	32 mm		JD-AH169647	54.88
	AH154794			N-N-10,14		70 mm	JD-AHC21127	81.93
	AH154794			N-N-14		70 mm	JD-RE20428	68.40
	RE38529			P-UB-1	32 mm		JD-RE21873	79.00
	RE38529			N-N-10,14		70 mm	JD-AHC21127	81.93
	RE38529			N-N-14		70 mm	JD-RE20428	68.40
MODEL 710G								
BOOM				P-UB-1	95 mm		JD-AH159192	255.33
				N-N-14		160 mm	JD-AH137210	203.09
BOOM LIFT		-943817		P-UB-1	56 mm		JD-AH149814	94.40
		-943817		N-N-14		100 mm	JD-AH212101	129.27
	AH211105	943818-		P-UB-1	56 mm		JD-AH149814	94.40
	AH211105	943818-		N-N-14		100 mm	JD-AH212101	129.27
BUCKET				P-UB-1	70 mm		JD-AH156466	86.62
				N-N-14		110 mm	JD-AH149845	171.33
BUCKET (MP)	AT190880	-925076		I-U-10	2	3	JD-AT190898	132.82
CROWD				N-N-14		140 mm	JD-AH216299	239.97
EXTENSION		-945479		I,P-UB-1	45 mm		JD-AH149813	95.91
		-945479		N-N-10		80 mm	JD-AH212092	59.07
	AH216318	945480-		I,P-UB-1	45 mm		JD-AH149813	95.91
	AH216318	945480-		N-N-10		80 mm	JD-AH212092	59.07
LOADER BUCKET				P-UB-1	56 mm		JD-AH149814	94.40
				N-N-14		110 mm	JD-AH212585	143.90

LA - Long Arm LGP - Low Ground Pressure LT - Long Track MFWD - Mechanical Front Wheel Drive MP - Multi-Purpose
 IDM - Inside Dozer Mount ODM - Outside Dozer Mount SLF - Super Long Front STD - Straight Dozer WT - Wide Track

FORMERLY LISTED REPAIR PARTS ARE AVAILABLE ONLINE AT WWW.HERCULESUS.COM
 OR BY CONTACTING YOUR REGIONAL HERCULES SALES TEAM.

Replacement Kits For

JOHN DEERE®

Backhoe Loaders								
APPLICATION	CYL #	SERIAL #	Misc	CODE	ROD	BORE	KIT #	List \$
MODEL 710G								
STABILIZER		932173-952813		P-UB-1	63 mm		JD-AH149815	96.10
		-932172		P-UB-1	63 mm		JD-AH149815	96.10
		932173-952813		N-N-14		115 mm	JD-AH212103	191.55
		-932172		N-N-14		115 mm	JD-AH212103	191.55
	AH218930	952814-		P-UB-1	63 mm		JD-AH149815	96.10
	AH218930	952814-		N-N-14		115 mm	JD-AH212103	191.55
SWING		-957322		P-UB-1	56 mm		JD-AH149814	94.40
		-957322		N-N-14		110 mm	JD-AH210287	143.90
	AH223267	957323-		P-UB-1	56 mm		JD-AH149814	94.40
	AH223267	957323-		N-N-14		110 mm	JD-AH212585	143.90
MODEL 710J								
BOOM	AH225720			P-UB-1	95 mm		JD-AH159192	255.33
	AH225720			N-N-14		160 mm	JD-AH137210	203.09
BOOM LIFT	AH211105			P-UB-1	56 mm		JD-AH149814	94.40
	AH211105			N-N-14		100 mm	JD-AH212101	129.27
BUCKET	AH220411			P-UB-1	70 mm		JD-AH156466	86.62
	AH220411			N-N-14		110 mm	JD-AH149845	171.33
CROWD	AH225656			P-UB-1	85 mm		JD-AH207190	165.99
	AH225656			N-N-14		140 mm	JD-AH216299	239.97
LOADER BUCKET	AH220446			P-UB-1	56 mm		JD-AH149814	94.40
	AH220446			N-N-14		110 mm	JD-AH212585	143.90
STABILIZER	AH218930			P-UB-1	63 mm		JD-AH149815	96.10
	AH218930			N-N-14		115 mm	JD-AH212103	191.55
SWING	AH223267			P-UB-1	56 mm		JD-AH149814	94.40
	AH223267			N-N-14		110 mm	JD-AH212585	143.90
MODEL 710K								
EXT DIPPERSTICK	AH216318			I,P-UB-1	45 mm		JD-AH149813	95.91
	AH216318			N-N-10		80 mm	JD-AH212092	59.07
LOADER BOOM	AHC11173			P-UB-1	56 mm		JD-AH149814	94.40
	AHC11173			N-N-14		100 mm	JD-AH212101	129.27
	AHC11426			P-UB-1	56 mm		JD-AH149814	94.40
	AHC11426			N-N-14		110 mm	JD-AH212585	143.90
LOADER BUCKET	AHC11426			P-UB-1	56 mm		JD-AH149814	94.40
	AHC11426			N-N-14		110 mm	JD-AH212585	143.90
LOADER COUPLER	AH234870			I-U-10	28 mm	45 mm	JD-AH176273	43.66
STEERING (MFWD)	AT191187			I-U-14	50 mm	75 mm	JD-AT301907	210.41
SWING	AH234290	169173-		P-UB-1	56 mm		JD-AH149814	94.40
	AH234290	169173-		N-N-14		110 mm	JD-AH212585	143.90
Compactors								
APPLICATION	CYL #	SERIAL #	Misc	CODE	ROD	BORE	KIT #	List \$
MODEL 646, 646B								
BOOM LIFT		All		P-V-8	2-3/4	6-1/4	JD-RE18744	227.78
BUCKET TILT		-223644		P-V-8	2-1/4	4-1/2	JD-AR105355	135.45
		223645-		P-V-8	2-3/4	6-1/4	JD-RE18744	227.78
CLAM (MP)		223645-		P-V-8	2	4	JD-AR105387	95.14
		-223644		P-U-9	2	4	JIC-G32299	86.57
STEERING		247907-		I-U-10	3-3/4	4	JD-AT34932	68.78
STEERING LH		-247906		I-U-1	3-3/4		JD-AT34933	63.29
STEERING RH		-247906		I-U-10	3-3/4	4	JD-AT34932	68.78
MODEL 646C								
BOOM LIFT		505144-		P-V-1	2-3/4		JD-RE16991	134.84
		505144-		N-N-14		6-1/4	JD-RE14022	215.76
BUCKET TILT		505144-		P-V-1	3		JD-RE16992	102.48
		505144-		N-N-14		6-1/4	JD-RE14022	215.76
CLAM (MP)		All		P-V-8	2	4	JD-AR105387	95.14

LA - Long Arm LGP - Low Ground Pressure LT - Long Track MFWD - Mechanical Front Wheel Drive MP - Multi-Purpose
 IDM - Inside Dozer Mount ODM - Outside Dozer Mount SLF - Super Long Front STD - Straight Dozer WT - Wide Track

Replacement Kits For

JOHN DEERE®

JOHN DEERE®

Compactors								
APPLICATION	CYL #	SERIAL #	Misc	CODE	ROD	BORE	KIT #	List \$
MODEL 646C								
STEERING		-505143		P-U-10	1-3/4	3-3/4	JD-AR105320	64.72
		505144-		P-V-1	1-3/4		JD-RE16209	50.07
		505144-		N-N-10		3-3/4	JD-RE17099	25.45
Crawler Dozers/Loaders								
APPLICATION	CYL #	SERIAL #	Misc	CODE	ROD	BORE	KIT #	List \$
MODEL 450G								
DOZER ANGLE	AH137775	-822210		P-UB-1	40 mm		JD-RE20433	92.26
	AH137775	-822210		N-N-14		70 mm	JD-RE20428	68.40
	AH149949	-846913		I,P-UB-1	40 mm		JD-AH149194	80.03
	AH149949	-846913		N-N-14		70 mm	JD-RE20428	68.40
	AH161764	All		I,P-UB-1	40 mm		JD-AH149194	80.03
	AH161764	All		N-N-10		70 mm	JD-RE37004	17.02
DOZER ANGLE (WT)	AH137776	All		P-UB-1	45 mm		JD-RE20434	92.84
	AH137776	All		N-N-14		80 mm	JD-AH149842	108.47
	AH149950	-846912		I,P-UB-1	45 mm		JD-AH149813	95.91
	AH149950	-846912		N-N-14		80 mm	JD-AH149842	108.47
	AH161770	846913-		I,P-UB-1	45 mm		JD-AH149813	95.91
	AH161770	846913-		N-N-10		80 mm	JD-RE37003	24.25
DOZER LIFT	AH150067	-822042		P-UB-1	40 mm		JD-RE20433	92.26
	AH150067	-822042		N-N-14		80 mm	JD-AH212091	136.57
	AH161767	822043-846999		I,P-UB-1	40 mm		JD-AH149194	80.03
	AH161767	847000-		I,P-UB-1	40 mm		JD-AH149194	80.03
	AH161767	822043-846999		N-N-14		80 mm	JD-AH212091	136.57
	AH161767	847000-		N-N-10		80 mm	JD-AH212092	59.07
	RE28350	-822042		P-UB-1	40 mm		JD-RE20433	92.26
	RE28350	-822042		N-N-14		80 mm	JD-AH149842	108.47
DOZER LIFT (WT) (LGP)	AH143026	790251-822042		P-UB-1	40 mm		JD-RE20433	92.26
	AH143026	790251-822042		N-N-14		80 mm	JD-AH149842	108.47
	AH150066	790251-822042		P-UB-1	40 mm		JD-RE20433	92.26
	AH150066	790251-822042		N-N-14		80 mm	JD-AH212091	136.57
	AH161762	846843-		I,P-UB-1	40 mm		JD-AH149194	80.03
	AH161762	822043-846842		I,P-UB-1	40 mm		JD-AH149194	80.03
	AH161762	846843-		N-N-10		80 mm	JD-AH212092	59.07
	AH161762	822043-846842		N-N-14		80 mm	JD-AH212091	136.57
RIPPER	AU41772	59100-		P-V-8	1-1/4	2-1/2	JD-AR105453	57.56
TILT	AH151379	822043-846913		I,P-UB-1	45 mm		JD-AH149813	95.91
	AH151379	822043-846913		N-N-14		90 mm	JD-AH149843	107.61
	AH161772	846914-		I,P-UB-1	45 mm		JD-AH149813	95.91
	AH161772	846914-		N-N-10		90 mm	JD-AH134955	22.59
	RE35814	-822042		P-UB-1	45 mm		JD-RE20434	92.84
RE35814	-822042		N-N-14		90 mm	JD-AH149843	107.61	
MODEL 450H								
BLADE ANGLE	AH216716			P-UB-14	40 mm	63 mm	JD-AH153497	208.06
	AH216716			N-N-10		63 mm	JD-AH212088	21.44
BLADE LIFT	AH150349	-925555		I,P-UB-1	40 mm		JD-AH149194	80.03
	AH150349	-925555		N-N-10		80 mm	JD-RE37003	24.25
	AH210530	925556-		I,P-UB-1	40 mm		JD-AH149194	80.03
	AH210530	925556-		N-N-10		80 mm	JD-AH212092	59.07
BLADE TILT	AH150351	-925555		I,P-UB-1	45 mm		JD-AH149813	95.91
	AH150351	-925555		N-N-10		90 mm	JD-AH212097	26.38
	AH211381	925556-		I,P-UB-1	45 mm		JD-AH149813	95.91
	AH211381	925556-		N-N-10		90 mm	JD-AH212097	26.38
MODEL 450J								
BLADE ANGLE		102818-XXXXXX		P-UB-14	40 mm	63 mm	JD-AH153497	208.06
		-102817		P-UB-14	40 mm	63 mm	JD-AH153497	208.06

LA - Long Arm LGP - Low Ground Pressure LT - Long Track MFWD - Mechanical Front Wheel Drive MP - Multi-Purpose
 IDM - Inside Dozer Mount ODM - Outside Dozer Mount SLF - Super Long Front STD - Straight Dozer WT - Wide Track

FORMERLY LISTED REPAIR PARTS ARE AVAILABLE ONLINE AT WWW.HERCULESUS.COM
 OR BY CONTACTING YOUR REGIONAL HERCULES SALES TEAM.

Replacement Kits For

JOHN DEERE®

Crawler Dozers/Loaders									
APPLICATION	CYL #	SERIAL #	Misc	CODE	ROD	BORE	KIT #	List \$	
MODEL 450J									
BLADE ANGLE		102818-XXXXXX		N-N-10		63 mm	JD-AH212088	21.44	
		-102817		N-N-10		63 mm	JD-AH212088	21.44	
		AH216716	XXXXXX-		P-UB-14	40 mm	63 mm	JD-AH153497	208.06
		AH216716	XXXXXX-		N-N-10		63 mm	JD-AH212088	21.44
		ALL			P-UB-14	40 mm	63 mm	JD-AH153497	208.06
BLADE LIFT	AH211370			I,P-UB-1	40 mm		JD-AH149194	80.03	
	AH211370			N-N-10		80 mm	JD-AH212092	59.07	
BLADE TILT	AH211381			I,P-UB-1	45 mm		JD-AH149813	95.91	
	AH211381			N-N-10		90 mm	JD-AH212097	26.38	
TRACK ADJUSTER		159987-		P-U-1	2-3/8		JD-SK100103	68.67	
		-159986	2 per machine	P-U-1	2-3/8		JD-SK100103	68.67	
MODEL 450K									
BLADE ANGLE LH	AHC17023	291537-		I,P-UB-1	45 mm		JD-AHC11572	135.92	
	AHC17023	291537-		N-N-10		70 mm	JD-AH212090	20.04	
	AHC17023	291537-		Unitized Piston		70 mm	JD-AH165962	309.46	
BLADE ANGLE RH	AHC17022	291537-		I,P-UB-1	45 mm		JD-AHC11572	135.92	
	AHC17022	291537-		N-N-10		70 mm	JD-AH212090	20.04	
	AHC17022	291537-		Unitized Piston		70 mm	JD-AH165962	309.46	
LIFT	AHC14485			I,P-UB-1	40 mm		JD-AHC13485	107.05	
	AHC14485			N-N-10		80 mm	JD-AHC22107	75.07	
	AHC14485			Unitized Piston		80 mm	JD-RE34085	203.43	
RIPPER	AHC14675			P-UB-1	63 mm		JD-AHC13362	132.05	
	AHC14675			N-N-10		125 mm	JD-AH167596	49.82	
	AHC14675			Unitized Piston		125 mm	JD-AH167446	663.10	
TILT	AHC14489			P-UB-1	50 mm		JD-AHC16954	108.98	
	AHC14489			N-N-10		100 mm	JD-AHC22109	90.08	
TRACK ADJUSTER			2 per application	P-U-1	2-3/8		JD-SK100103	68.67	
MODEL 450K LGP									
BLADE ANGLE LH	AHC17023	291537-		I,P-UB-1	45 mm		JD-AHC11572	135.92	
	AHC17023	291537-		N-N-10		70 mm	JD-AH212090	20.04	
	AHC17023	291537-		Unitized Piston		70 mm	JD-AH165962	309.46	
BLADE ANGLE RH	AHC17022	291537-		I,P-UB-1	45 mm		JD-AHC11572	135.92	
	AHC17022	291537-		N-N-10		70 mm	JD-AH212090	20.04	
	AHC17022	291537-		Unitized Piston		70 mm	JD-AH165962	309.46	
LIFT	AHC14485			I,P-UB-1	40 mm		JD-AHC13485	107.05	
	AHC14485			N-N-10		80 mm	JD-AHC22107	75.07	
	AHC14485			Unitized Piston		80 mm	JD-RE34085	203.43	
RIPPER	AHC14675			P-UB-1	63 mm		JD-AHC13362	132.05	
	AHC14675			N-N-10		125 mm	JD-AH167596	49.82	
	AHC14675			Unitized Piston		125 mm	JD-AH167446	663.10	
TILT	AHC14489			P-UB-1	50 mm		JD-AHC16954	108.98	
	AHC14489			N-N-10		100 mm	JD-AHC22109	90.08	
TRACK ADJUSTER			2 per application	P-U-1	2-3/8		JD-SK100103	68.67	
MODEL 455G									
BUCKET CLAM	AH148714	All		P-UB-1	50 mm		JD-AH148164	69.14	
	AH148714	All		N-N-14		100 mm	JD-AH149844	135.84	
	RE25702	-822210		P-UB-1	50 mm		JD-RE20595	82.00	
	RE25702	-822210		N-N-14		100 mm	JD-AH149844	135.84	
LOADER BOOM	AH134483	760573-823917		P-UB-1	56 mm		JD-RE31716	143.20	
	AH134483	-760572		P-UB-1	50 mm		JD-RE20595	82.00	
	AH134483	-823917		N-N-14		100 mm	JD-AH149844	135.84	
	AH150117	All		P-UB-1	56 mm		JD-AH149814	94.40	
	AH150117	All		N-N-14		100 mm	JD-AH149844	135.84	
LOADER BUCKET	AH148736	All		P-UB-1	50 mm		JD-AH148164	69.14	
	AH148736	All		N-N-14		90 mm	JD-AH149843	107.61	

LA - Long Arm LGP - Low Ground Pressure LT - Long Track MFWD - Mechanical Front Wheel Drive MP - Multi-Purpose
 IDM - Inside Dozer Mount ODM - Outside Dozer Mount SLF - Super Long Front STD - Straight Dozer WT - Wide Track

NORTH AMERICA
 PHONE 1-800-777-5617
 FAX 1-800-759-6391

SALES OFFICE HOURS
 8 A.M. TO 8:00 P.M. EASTERN TIME
 www.HerculesUS.com

WORLDWIDE
 PHONE 1-727-796-1300
 FAX 1-727-797-8849

HERCULES
 SEALING PRODUCTS

Replacement Kits For

JOHN DEERE®

Crawler Dozers/Loaders								
APPLICATION	CYL #	SERIAL #	Misc	CODE	ROD	BORE	KIT #	List \$
MODEL 455G								
LOADER BUCKET	RE28353	-802210		P-UB-1	50 mm		JD-RE20595	82.00
	RE28353	-802210		N-N-14		90 mm	JD-AH149843	107.61
MULTI-PURPOSE	AH148736	All		P-UB-1	50 mm		JD-AH148164	69.14
	AH148736	All		N-N-14		90 mm	JD-AH149843	107.61
	RE28353	-802210		P-UB-1	50 mm		JD-RE20595	82.00
	RE28353	-802210		N-N-14		90 mm	JD-AH149843	107.61
RIPPER	AU41772	59100-		P-V-8	1-1/4	2-1/2	JD-AR105453	57.56
MODEL 550G								
DOZER ANGLE	AH137776	All		P-UB-1	45 mm		JD-RE20434	92.84
	AH137776	All		N-N-14		80 mm	JD-AH149842	108.47
	AH149950	-846912		I,P-UB-1	45 mm		JD-AH149813	95.91
	AH149950	-846912		N-N-14		80 mm	JD-AH149842	108.47
	AH161770	846913-		I,P-UB-1	45 mm		JD-AH149813	95.91
	AH161770	846913-		N-N-10		80 mm	JD-RE37003	24.25
DOZER LIFT	AH150066	790251-822042		P-UB-1	40 mm		JD-RE20433	92.26
	AH150066	790251-822042		N-N-14		80 mm	JD-AH212091	136.57
	AH150067	-822042		P-UB-1	40 mm		JD-RE20433	92.26
	AH150067	-822042		N-N-14		80 mm	JD-AH212091	136.57
	AH161762	822043-846842		I,P-UB-1	40 mm		JD-AH149194	80.03
	AH161762	846843-		I,P-UB-1	40 mm		JD-AH149194	80.03
	AH161762	846843-		N-N-10		80 mm	JD-AH212092	59.07
	AH161762	822043-846842		N-N-14		80 mm	JD-AH212091	136.57
	AH161767	847000-		I,P-UB-1	40 mm		JD-AH149194	80.03
	AH161767	822043-846999		I,P-UB-1	40 mm		JD-AH149194	80.03
	AH161767	822043-846999		N-N-14		80 mm	JD-AH212091	136.57
	AH161767	847000-		N-N-10		80 mm	JD-AH212092	59.07
TILT	AH151379	All		I,P-UB-1	45 mm		JD-AH149813	95.91
	AH151379	All		N-N-14		90 mm	JD-AH149843	107.61
	AH161772	846914-		I,P-UB-1	45 mm		JD-AH149813	95.91
	AH161772	846914-		N-N-10		90 mm	JD-AH134955	22.59
	RE35814	-822042		P-UB-1	45 mm		JD-RE20434	92.84
	RE35814	-822042		N-N-14		90 mm	JD-AH149843	107.61
MODEL 550H								
BLADE ANGLE	AH165689	-925555		I,P-UB-1	45 mm		JD-AH149813	95.91
	AH165689	-925555		N-N-10		70 mm	JD-AH212090	20.04
	AH211365	925556-		I,P-UB-1	45 mm		JD-AH149813	95.91
	AH211851	925556-		N-N-10		70 mm	JD-AH212090	20.04
BLADE LIFT	AH163865	-925555		I,P-UB-1	40 mm		JD-AH149194	80.03
	AH163865	-925555		N-N-10		80 mm	JD-RE37003	24.25
	AH211370	925556-		I,P-UB-1	40 mm		JD-AH149194	80.03
	AH211370	925556-		N-N-10		80 mm	JD-AH212092	59.07
BLADE TILT	AH158633	-925555		I,P-UB-1	45 mm		JD-AH149813	95.91
	AH158633	-925555		N-N-10		90 mm	JD-AH212097	26.38
	AH211381	925556-		I,P-UB-1	45 mm		JD-AH149813	95.91
	AH211381	925556-		N-N-10		90 mm	JD-AH212097	26.38
MODEL 550J								
BLADE ANGLE	AH211851			I,P-UB-1	45 mm		JD-AH149813	95.91
	AH211851			N-N-10		70 mm	JD-AH212090	20.04
BLADE LIFT	AH211370			I,P-UB-1	40 mm		JD-AH149194	80.03
	AH211370			N-N-10		80 mm	JD-AH212092	59.07
BLADE TILT	AH211381			I,P-UB-1	45 mm		JD-AH149813	95.91
	AH211381			N-N-10		90 mm	JD-AH212097	26.38
TRACK ADJUSTER		-159986	2 per machine	P-U-1	2-3/8		JD-SK100103	68.67
		159987-		P-U-1	2-3/8		JD-SK100103	68.67

LA - Long Arm LGP - Low Ground Pressure LT - Long Track MFWD - Mechanical Front Wheel Drive MP - Multi-Purpose
 IDM - Inside Dozer Mount ODM - Outside Dozer Mount SLF - Super Long Front STD - Straight Dozer WT - Wide Track

FORMERLY LISTED REPAIR PARTS ARE AVAILABLE ONLINE AT WWW.HERCULESUS.COM
 OR BY CONTACTING YOUR REGIONAL HERCULES SALES TEAM.

Replacement Kits For

JOHN DEERE®

Crawler Dozers/Loaders									
APPLICATION	CYL #	SERIAL #	Misc	CODE	ROD	BORE	KIT #	List \$	
MODEL 550K									
DOZER ANGLE	AHC10698			I,P-UB-1	45 mm		JD-AH149813	95.91	
	AHC10698			N-N-10		70 mm	JD-AH212090	20.04	
DOZER LIFT	AHC10695			I,P-UB-1	40 mm		JD-AH149194	80.03	
	AHC10695			N-N-10		80 mm	JD-AH212092	59.07	
DOZER TILT	AHC10699			P-UB-1	50 mm		JD-AH210484	66.46	
	AHC10699			N-N-10		100 mm	JD-AH212102	80.88	
RIPPER	AH212646			P-UB-1	63 mm		JD-AH149815	96.10	
	AH212646			N-N-10		125 mm	JD-AH167596	49.82	
TRACK ADJUSTER				P-U-1	2-3/8		JD-SK100103	68.67	
TRACK ADJUSTER (LGP)			2 per machine	P-U-1	2-3/8		JD-SK100103	68.67	
MODEL 555G									
BUCKET CLAM	AH148714	All		P-UB-1	50 mm		JD-AH148164	69.14	
	AH148714	All		N-N-14		100 mm	JD-AH149844	135.84	
	RE25702	-822210		P-UB-1	50 mm		JD-RE20595	82.00	
	RE25702	-822210		N-N-14		100 mm	JD-AH149844	135.84	
LOADER BOOM	AH150111	All		P-UB-1	63 mm		JD-AH149815	96.10	
	AH150111	All		N-N-14		115 mm	JD-AH149846	191.55	
	RE26632	-823917		P-UB-1	63 mm		JD-RE28899	167.58	
	RE26632	-823917		N-N-14		115 mm	JD-AH149846	191.55	
LOADER BUCKET	AH148715	All		P-UB-1	50 mm		JD-AH148164	69.14	
	AH148715	All		N-N-14		100 mm	JD-AH149844	135.84	
	RE26633	-818179		P-UB-1	50 mm		JD-AH148164	69.14	
	RE26633	-818179		N-N-14		100 mm	JD-AH149844	135.84	
MODEL 650G									
DOZER ANGLE				N-N-14		80 mm	JD-RE31138	85.75	
	AH137776	-822211		P-UB-1	45 mm		JD-RE20434	92.84	
	AH137776	-822211		N-N-14		80 mm	JD-AH149842	108.47	
	AH149950	-846912		I,P-UB-1	45 mm		JD-AH149813	95.91	
	AH149950	-846912		N-N-14		80 mm	JD-AH149842	108.47	
	AH161770	846913-		I,P-UB-1	45 mm		JD-AH149813	95.91	
	AH161770	846913-		N-N-10		80 mm	JD-RE37003	24.25	
DOZER LIFT				P-UB-1	40 mm		JD-RE20433	92.26	
				N-N-14		80 mm	JD-RE31138	85.75	
	AH143026	790251-822042		P-UB-1	40 mm		JD-RE20433	92.26	
	AH143026	790251-822042		N-N-14		80 mm	JD-AH149842	108.47	
	AH150066	790251-822042		P-UB-1	40 mm		JD-RE20433	92.26	
	AH150066	790251-822042		N-N-14		80 mm	JD-AH212091	136.57	
	AH150067	-822042		P-UB-1	40 mm		JD-RE20433	92.26	
	AH150067	-822042		N-N-14		80 mm	JD-AH212091	136.57	
	AH161762	822043-846842		I,P-UB-1	40 mm		JD-AH149194	80.03	
	AH161762	846843-		I,P-UB-1	40 mm		JD-AH149194	80.03	
	AH161762	846843-		N-N-10		80 mm	JD-AH212092	59.07	
	AH161762	822043-846842		N-N-14		80 mm	JD-AH212091	136.57	
	AH161767	847000-		I,P-UB-1	40 mm		JD-AH149194	80.03	
	AH161767	822043-846999		I,P-UB-1	40 mm		JD-AH149194	80.03	
	AH161767	847000-		N-N-10		80 mm	JD-AH212092	59.07	
	AH161767	822043-846999		N-N-14		80 mm	JD-AH212091	136.57	
	RE28350	-790250		P-UB-1	40 mm		JD-RE20433	92.26	
	RE28350	-790250		N-N-14		80 mm	JD-AH149842	108.47	
	LIFT	RE28350	-790250		P-UB-1	40 mm		JD-RE20433	92.26
		RE28350	-790250		N-N-14		80 mm	JD-AH212091	136.57
TILT				N-N-14		100 mm	JD-RE31139	151.32	
	AH149951	-822042		P-UB-1	50 mm		JD-RE20595	82.00	
	AH149951	All		P-UB-1	50 mm		JD-RE20595	82.00	
	AH149951	All		N-N-14		100 mm	JD-AH137687	113.73	

LA - Long Arm LGP - Low Ground Pressure LT - Long Track MFWD - Mechanical Front Wheel Drive MP - Multi-Purpose
 IDM - Inside Dozer Mount ODM - Outside Dozer Mount SLF - Super Long Front STD - Straight Dozer WT - Wide Track

JOHN DEERE®

Replacement Kits For

JOHN DEERE®

Crawler Dozers/Loaders								
APPLICATION	CYL #	SERIAL #	Misc	CODE	ROD	BORE	KIT #	List \$
MODEL 650G								
TILT	AH149951	-822042		N-N-14		100 mm	JD-AH212101	129.27
	AH161766	All		P-UB-1	50 mm		JD-AH148164	69.14
	AH161766	All		N-N-10		100 mm	JD-AH161781	37.60
	RE35808	-822042		P-UB-1	50 mm		JD-RE20595	82.00
	RE35808	-822042		N-N-14		100 mm	JD-AH149844	135.84
MODEL 650H								
BLADE ANGLE	AH165689	-925555		I,P-UB-1	45 mm		JD-AH149813	95.91
	AH165689	-925555		N-N-10		70 mm	JD-AH212090	20.04
	AH211365	925556-		I,P-UB-1	45 mm		JD-AH149813	95.91
	AH211851	925556-		N-N-10		70 mm	JD-AH212090	20.04
BLADE LIFT	AH163865	-925555		I,P-UB-1	40 mm		JD-AH149194	80.03
	AH163865	-925555		N-N-10		80 mm	JD-RE37003	24.25
	AH211370	925556-		I,P-UB-1	40 mm		JD-AH149194	80.03
BLADE TILT	AH211370	925556-		N-N-10		80 mm	JD-AH212092	59.07
	AH158633	-925555		P-UB-1	50 mm		JD-AH210484	66.46
	AH158633	-925555		N-N-10		100 mm	JD-AH212102	80.88
AH212097	925556-			P-UB-1	50 mm		JD-AH210484	66.46
	925556-			N-N-10		100 mm	JD-AH212102	80.88
MODEL 650J								
BLADE ANGLE	AH211851			I,P-UB-1	45 mm		JD-AH149813	95.91
	AH211851			N-N-10		70 mm	JD-AH212090	20.04
BLADE LIFT	AH211370			I,P-UB-1	40 mm		JD-AH149194	80.03
	AH211370			N-N-10		80 mm	JD-AH212092	59.07
BLADE TILT	AH210979			P-UB-1	50 mm		JD-AH210484	66.46
	AH210979			N-N-10		100 mm	JD-AH212102	80.88
TRACK ADJUSTER		159987-		P-U-1	2-3/8		JD-SK100105	24.38
		-159986	2 per machine	P-U-1	2-3/8		JD-SK100103	68.67
MODEL 650K								
DOZER ANGLE	AHC10698			I,P-UB-1	45 mm		JD-AH149813	95.91
	AHC10698			N-N-10		70 mm	JD-AH212090	20.04
DOZER LIFT	AHC10695			I,P-UB-1	40 mm		JD-AH149194	80.03
	AHC10695			N-N-10		80 mm	JD-AH212092	59.07
DOZER TILT	AHC10699			P-UB-1	50 mm		JD-AH210484	66.46
	AHC10699			N-N-10		100 mm	JD-AH212102	80.88
RIPPER	AH212646			P-UB-1	63 mm		JD-AH149815	96.10
	AH212646			N-N-10		125 mm	JD-AH167596	49.82
TRACK ADJUSTER			2 per machine	P-U-1	2-3/8		JD-SK100103	68.67
MODEL 655B								
LOADER BOOM LIFT		All		P-U-1	3-3/4		JD-RE31528	117.90
		All		N-N-14		5-1/2	JD-RE15907	199.15
LOADER BUCKET TILT		All		P-V-1	2-1/4		JD-RE14208	61.15
		All		N-N-14		4-1/2	JD-RE14094	132.27
MULTI-PURPOSE		All		P-V-1	2-1/2		JD-RE17345	74.95
		All		N-N-14		5-1/2	JD-RE14102	199.15
TRACK ADJUSTER		All		I-U-4	3-3/4	3	JD-905001	90.92
MODEL 700H								
DOZER ANGLE		-925555		P-UB-1	56 mm		JD-AH149814	94.40
		-925555		N-N-10		90 mm	JD-AH212097	26.38
	AH211335	925556-		P-UB-1	56 mm		JD-AH149814	94.40
	AH211335	925556-		N-N-10		90 mm	JD-AH212097	26.38
DOZER LIFT	AH160177	-942019		P-UB-1	50 mm		JD-AH210484	66.46
	AH160177	-942019		N-N-10		100 mm	JD-AH212102	80.88
	AH215878	942020-		P-UB-1	50 mm		JD-AH210484	66.46
DOZER TILT		-942019		P-UB-1	50 mm		JD-AH210484	66.46
		-942019		N-N-10		100 mm	JD-AH212102	80.88

LA - Long Arm LGP - Low Ground Pressure LT - Long Track MFWD - Mechanical Front Wheel Drive MP - Multi-Purpose
 IDM - Inside Dozer Mount ODM - Outside Dozer Mount SLF - Super Long Front STD - Straight Dozer WT - Wide Track

FORMERLY LISTED REPAIR PARTS ARE AVAILABLE ONLINE AT WWW.HERCULESUS.COM
 OR BY CONTACTING YOUR REGIONAL HERCULES SALES TEAM.

JOHN DEERE®

Replacement Kits For

JOHN DEERE®

Crawler Dozers/Loaders								
APPLICATION	CYL #	SERIAL #	Misc	CODE	ROD	BORE	KIT #	List \$
MODEL 700H								
DOZER TILT	AH216998	942020-		P-UB-1	50 mm		JD-AH210484	66.46
MODEL 700J								
DOZER ANGLE	AH211335	-139435		P-UB-1	56 mm		JD-AH149814	94.40
	AH211335	139436-		P-UB-1	56 mm		JD-AH149814	94.40
	AH211335	-139435		N-N-10		90 mm	JD-AH212097	26.38
	AH211335	139436-		N-N-10		90 mm	JD-AH212097	26.38
DOZER LIFT	AH215878	139436-		P-UB-1	50 mm		JD-AH210484	66.46
	AH215878	-139435		P-UB-1	50 mm		JD-AH210484	66.46
DOZER TILT	AH216998	139436-		P-UB-1	50 mm		JD-AH210484	66.46
	AH216998	-139435		P-UB-1	50 mm		JD-AH210484	66.46
TRACK ADJUSTER		139436-		P-U-1	75 mm		JD-SK100106	32.93
MODEL 700K								
DOZER ANGLE	AHC12643			P-UB-1	56 mm		JD-AH149814	94.40
	AHC12643			N-N-10		90 mm	JD-AH212097	26.38
DOZER LIFT	AHC10693			P-UB-1	50 mm		JD-AH210484	66.46
	AHC10693			N-N-10		100 mm	JD-AH212102	80.88
DOZER TILT	AHC10694			P-UB-1	50 mm		JD-AH210484	66.46
	AHC10694			N-N-10		100 mm	JD-AH212102	80.88
RIPPER	AH215878			P-UB-1	50 mm		JD-AH210484	66.46
	AH215878			N-N-10		100 mm	JD-AH212102	80.88
TRACK ADJUSTER (LGP/XLT)				P-U-1	75 mm		JD-SK100106	32.93
MODEL 750C								
LIFT	AH141866	-823539		P-UB-1	56 mm		JD-RE31716	143.20
	AH141866	-823539		N-N-14		100 mm	JD-AH212101	129.27
TILT	AH160105	871488-		P-UB-1	80 mm		JD-AH156874	185.96
	AH160105	-871487		P-UB-1	80 mm		JD-RE25152	257.14
	AH160105	-871487		N-N-14		160 mm	JD-AH137210	203.09
	AH160105	871488-		N-N-14		160 mm	JD-AH137210	203.09
TILT ANGLE	RE17350			P-V-1	2-1/2		JD-RE17345	74.95
	RE17350			N-N-14		5-1/2	JD-RE17351	199.15
MODEL 750C-II								
ANGLE	RE17350			P-V-1	2-1/2		JD-RE17345	74.95
	RE17350			N-N-14		5-1/2	JD-RE17351	199.15
LIFT	AH150120	-943853		P-UB-1	56 mm		JD-AH149814	94.40
	AH150120	-943853		N-N-14		100 mm	JD-AH212101	129.27
	AH216805	943854-		P-UB-1	56 mm		JD-AH149814	94.40
	AH216805	943854-		N-N-14		100 mm	JD-AH212101	129.27
TILT	AH160105			P-UB-1	80 mm		JD-AH156874	185.96
	AH160105			N-N-14		160 mm	JD-AH137210	203.09
	AH175471	904887-		P-UB-1	63 mm		JD-AH149815	96.10
	AH175471	904887-		N-N-14		140 mm	JD-AH216299	239.97
MODEL 750J								
DOZER ANGLE	AH217118	-141343, 141344-	(IDM)	P-UB-1	70 mm		JD-AH156466	86.62
	AH217118	-141343, 141344-	(IDM)	N-N-14		110 mm	JD-AH212585	143.90
DOZER LIFT	AH208632	-141343, 141344-	(IDM)	P-UB-1	56 mm		JD-AH149814	94.40
	AH208632	-141343, 141344-	(IDM)	N-N-10		100 mm	JD-AH212102	80.88
	AH221187	-141343, 141344-	(ODM)	P-UB-1	56 mm		JD-AH149814	94.40
	AH221187	-141343, 141344-	(ODM)	N-N-14		90 mm	JD-AH212096	107.61
DOZER TILT	AH208633	-141343, 141344-	(IDM)	P-UB-1	63 mm		JD-AH149815	96.10
	AH208633	-141343, 141344-	(IDM)	N-N-14		125 mm	JD-AH149848	269.84
	AH208635	-141343, 141344-	(ODM)	P-UB-1	63 mm		JD-AH149815	96.10
	AH208635	-141343, 141344-	(ODM)	N-N-14		125 mm	JD-AH149848	269.84
TRACK ADJUSTER		-141343		P-U-1	110 mm		JD-AT314787	84.87
		141344-		P-U-1	95 mm		JD-AT307336	80.90

LA - Long Arm LGP - Low Ground Pressure LT - Long Track MFWD - Mechanical Front Wheel Drive MP - Multi-Purpose
 IDM - Inside Dozer Mount ODM - Outside Dozer Mount SLF - Super Long Front STD - Straight Dozer WT - Wide Track

Replacement Kits For

JOHN DEERE®

JOHN DEERE®

Crawler Dozers/Loaders								
APPLICATION	CYL #	SERIAL #	Misc	CODE	ROD	BORE	KIT #	List \$
MODEL 750J								
TRACK ADJUSTER		-141343		P-U-1	95 mm		JD-AT307336	80.90
MODEL 750K								
CAB TILT	AH216188			I-U-1	32 mm		JD-AH149817	38.57
	AH216188			N-N-10		63 mm	JD-AH212088	21.44
DOZER ANGLE (LGP) (LT)	AHC10544			P-UB-1	70 mm		JD-AH156466	86.62
	AHC10544			N-N-14		110 mm	JD-AH212585	143.90
DOZER LIFT (LGP) (LT)	AHC12220			P-UB-1	56 mm		JD-AH149814	94.40
	AHC12220			N-N-10		100 mm	JD-AH212102	80.88
DOZER TILT	AHC10536			P-UB-1	56 mm		JD-AH149814	94.40
	AHC10536			N-N-14		90 mm	JD-AH212096	107.61
DOZER TILT (LGP) (LT)	AHC10543			P-UB-1	63 mm		JD-AH149815	96.10
	AHC10543			N-N-14		125 mm	JD-AH149848	269.84
RIPPER	AH215949			P-UB-1	50 mm		JD-AH210484	66.46
	AH215949			N-N-10		90 mm	JD-AH212097	26.38
TRACK ADJUSTER				P-U-1	95 mm		JD-AT307336	80.90
MODEL 850C								
LIFT	AH216805			P-UB-1	56 mm		JD-AH149814	94.40
	AH216805			N-N-14		100 mm	JD-AH212101	129.27
TILT		-848638		P-UB-1	80 mm		JD-RE25152	257.14
		-848638		N-N-14		180 mm	JD-AH137211	206.63
	AH159739	848639-		P-UB-1	80 mm		JD-AH156874	185.96
	AH159739	848639-		N-N-14		180 mm	JD-AH137211	206.63
TILT ANGLE	RE17350			P-V-1	2-1/2		JD-RE17345	74.95
	RE17350			N-N-14		5-1/2	JD-RE17351	199.15
MODEL 850C-II								
LIFT	AH150120	-943853		P-UB-1	56 mm		JD-AH149814	94.40
	AH150120	-943853		N-N-14		100 mm	JD-AH212101	129.27
	AH216805	943854-		P-UB-1	56 mm		JD-AH149814	94.40
	AH216805	943854-		N-N-14		100 mm	JD-AH212101	129.27
LIFT (LGP)	AH150121	-943853		P-UB-1	56 mm		JD-AH149814	94.40
	AH150121	-943853		N-N-14		100 mm	JD-AH212101	129.27
TILT	AH159739			P-UB-1	80 mm		JD-AH156874	185.96
	AH159739			N-N-14		180 mm	JD-AH137211	206.63
	AH175471	904887-		P-UB-1	63 mm		JD-AH149815	96.10
	AH175471	904887-		N-N-14		140 mm	JD-AH216299	239.97
TILT ANGLE	RE17350			P-V-1	2-1/2		JD-RE17345	74.95
	RE17350			N-N-14		5-1/2	JD-RE17351	199.15
MODEL 850J								
DOZER ANGLE	AH208628		(IDM)	P-UB-1	70 mm		JD-AH156466	86.62
	AH208628		(IDM)	N-N-14		115 mm	JD-AH212103	191.55
DOZER LIFT	AH208630		(IDM)	P-UB-1	63 mm		JD-AH149815	96.10
	AH208630		(IDM)	N-N-14		115 mm	JD-AH212103	191.55
	AH221183		(ODM)	P-UB-1	56 mm		JD-AH149814	94.40
	AH221183		(ODM)	N-N-14		90 mm	JD-AH212096	107.61
DOZER TILT	AH208631		(ODM)	P-UB-1	70 mm		JD-AH156466	86.62
	AH208631		(ODM)	N-N-10		6	JD-AH167533	97.52
	AH210140		(IDM)	P-UB-1	63 mm		JD-AH149815	96.10
	AH210140		(IDM)	N-N-14		125 mm	JD-AH149848	269.84
TRACK ADJUSTER		-130885		P-U-1	110 mm		JD-AT314787	84.87
		-130885		P-U-1	95 mm		JD-AT307336	80.90
		130886-		P-U-1	110 mm		JD-AT314787	84.87
MODEL 850JR								
TRACK ADJUSTER				P-U-1	110 mm		JD-AT314787	84.87
MODEL 850K								
CAB TILT	AH216188			I-U-1	32 mm		JD-AH149817	38.57

LA - Long Arm LGP - Low Ground Pressure LT - Long Track MFWD - Mechanical Front Wheel Drive MP - Multi-Purpose
 IDM - Inside Dozer Mount ODM - Outside Dozer Mount SLF - Super Long Front STD - Straight Dozer WT - Wide Track

FORMERLY LISTED REPAIR PARTS ARE AVAILABLE ONLINE AT WWW.HERCULESUS.COM
 OR BY CONTACTING YOUR REGIONAL HERCULES SALES TEAM.

Replacement Kits For

JOHN DEERE®

Crawler Dozers/Loaders

APPLICATION	CYL #	SERIAL #	Misc	CODE	ROD	BORE	KIT #	List \$
MODEL 850K								
CAB TILT	AH216188			N-N-10		63 mm	JD-AH212088	21.44
DOZER ANGLE (LGP) (WT)	AHC10408			P-UB-1	70 mm		JD-AH156466	86.62
	AHC10408			N-N-14		115 mm	JD-AH212103	191.55
DOZER LIFT (LGP)	AHC10169			P-UB-1	56 mm		JD-AH149814	94.40
	AHC10169			N-N-14		90 mm	JD-AH212096	107.61
DOZER LIFT (LGP) (WT)	AHC10406			P-UB-1	63 mm		JD-AH149815	96.10
	AHC10406			N-N-14		115 mm	JD-AH212103	191.55
DOZER LIFT (STD) (WT)	AHC10168			P-UB-1	56 mm		JD-AH149814	94.40
	AHC10168			N-N-14		90 mm	JD-AH212096	107.61
DOZER TILT	AH208631			P-UB-1	70 mm		JD-AH156466	86.62
	AH208631			N-N-10		6	JD-AH167533	97.52
DOZER TILT (LGP) (WT)	AHC10407			P-UB-1	63 mm		JD-AH149815	96.10
	AHC10407			N-N-14		125 mm	JD-AH149848	269.84
RIPPER	AH215949			P-UB-1	50 mm		JD-AH210484	66.46
	AH215949			N-N-10		90 mm	JD-AH212097	26.38
TRACK ADJUSTER				P-U-1	110 mm		JD-AT314787	84.87

Excavators

APPLICATION	CYL #	SERIAL #	Misc	CODE	ROD	BORE	KIT #	List \$
MODEL 80								
ARM	AP36041	All		P-UB-10	60 mm	95 mm	JD-AT200549	242.16
BOOM	AP36040	All		P-UB-10	65 mm	115 mm	JD-AT200548	321.12
BUCKET	AT250786	All		P-UB-10	55 mm	85 mm	JD-AT200550	255.33
MODEL 85D								
ARM	9197150G			P-UB-10	60 mm	95 mm	JD-4464985	169.87
	9197150G			P-UB-10	60 mm	95 mm	JD-4464985-EX	236.64
	9197150G			Bushing	60 mm		JD-0826907	26.22
	9197150G			Wear Ring		95 mm	JD-H158170	9.71
BLADE	9246135			P-U-10	70 mm	120 mm	JD-4632462	366.96
	9246135			Bushing	70 mm		JD-4633389	31.69
BOOM	9197149G			P-UB-10	65 mm	115 mm	JD-4663491	354.60
	9197149G			P-UB-10	65 mm	115 mm	JD-4663491-EX	389.70
	9197149G			Bushing	65 mm		JD-AT264389	30.52
	9197149G			Wear Ring		115 mm	JD-H163432	15.16
BUCKET	9197151G			P-UB-10	55 mm	85 mm	JD-4464986	162.55
	9197151G			Bushing	55 mm		JD-TH0827007	19.28
SWING	9280680			P-U-10	60 mm	110 mm	JD-4696459	119.86
	9280680			Bushing	60 mm		JD-0826907	26.22
MODEL 85G								
ARM	FYD00002217G			P-UB-10	60 mm	95 mm	JD-FYD00006230	129.39
	FYD00002217G			Bushing	60 mm		JD-1226705	26.22
BLADE	9246135			P-U-10	70 mm	120 mm	JD-4632462	366.96
	9246135			Bushing	70 mm		JD-4633389	31.69
BOOM	FYD00002220G			P-UB-10	65 mm	115 mm	JD-FYD00006231	369.87
	FYD00002220G			Bushing	65 mm		JD-FXB00001021	30.52
BUCKET	4718798G			P-UB-10	55 mm	85 mm	JD-FYD00000078	104.98
	4718798G			Bushing	55 mm		JD-FXB00001022	25.79
SWING	9280680			P-U-10	60 mm	110 mm	JD-4696459	119.86
	9280680			Bushing	60 mm		JD-0826907	26.22
MODEL 110								
BUCKET	AH148041	All		P-UB-10	65 mm	95 mm	JD-AH150595	337.28
MODEL 120								
ARM	AH149792	All		P-UB-10	80 mm	110 mm	JD-AH149796	602.32
BOOM (LH)	AH153169	All		P-UB-10	70 mm	105 mm	JD-AH151107	497.42

LA - Long Arm LGP - Low Ground Pressure LT - Long Track MFWD - Mechanical Front Wheel Drive MP - Multi-Purpose
 IDM - Inside Dozer Mount ODM - Outside Dozer Mount SLF - Super Long Front STD - Straight Dozer WT - Wide Track

Replacement Kits For

JOHN DEERE®

JOHN DEERE®

Excavators								
APPLICATION	CYL #	SERIAL #	Misc	CODE	ROD	BORE	KIT #	List \$
MODEL 120								
BOOM (RH)	AH153168	All		P-UB-10	70 mm	105 mm	JD-AH151107	497.42
BUCKET	AH148041	All		P-UB-10	65 mm	95 mm	JD-AH150595	337.28
MODEL 120C								
ARM	9183013J			P-UB-10	80 mm	115 mm	JD-4448396	324.05
BLADE (LH)				P-UB-10	70 mm	100 mm	JD-4388027	536.69
	9187647	Field Replacement		P-UB-10	70 mm	100 mm	JD-4388027	536.69
BLADE (RH)				P-UB-10	70 mm	100 mm	JD-4388027	536.69
	9187648	Field Replacement		P-UB-10	70 mm	100 mm	JD-4388027	536.69
BOOM (LH)	4428437Y			P-UB-10	70 mm	105 mm	JD-4662895	268.58
BOOM (RH)	4428436Y			P-UB-10	70 mm	105 mm	JD-4662895	268.58
BUCKET	9183014J			P-UB-10	70 mm	100 mm	JD-4448397	258.35
MODEL 120D								
ARM	9183013G	-037041		P-UB-10	80 mm	115 mm	JD-FYA00001393	128.21
	9183013G	-037041		Bushing	80 mm		JD-AT264314	43.95
	9288686G	037042-		P-UB-10	80 mm	115 mm	JD-4S00847	128.65
	9288686G	037042-		Bushing	80 mm		JD-AT264314	43.95
BLADE (LH)	9187647			P-UB-10	70 mm	100 mm	JD-4388027	536.69
	9187647			Bushing	70 mm		JD-0643402	14.40
BLADE (RH)	0779201			Bushing	70 mm		JD-0643402	14.40
	9187648			P-UB-10	70 mm	100 mm	JD-4388027	536.69
	9187648			Bushing	70 mm		JD-0643402	14.40
BOOM (LH)	9185636G	-037018		P-UB-10	70 mm	105 mm	JD-4662895	268.58
	9185636G	-037018		Bushing	70 mm		JD-AT133645	34.45
	9257687G	037019-		P-UB-10	70 mm	105 mm	JD-4662895	268.58
	9257687G	037019-		Bushing	70 mm		JD-0310304	34.45
BOOM (RH)	9185635G	-037018		P-UB-10	70 mm	105 mm	JD-4662895	268.58
	9185635G	-037018		Bushing	70 mm		JD-AT133645	34.45
	9257686G	037019-		P-UB-10	70 mm	105 mm	JD-4662895	268.58
	9257686G	037019-		Bushing	70 mm		JD-0310304	34.45
BUCKET	9183014G	-037052		P-UB-10	70 mm	100 mm	JD-4S00849	112.36
	9183014G	-037052		Bushing	70 mm		JD-AT133645	34.45
	9257711G	037053-		P-UB-10	70 mm	100 mm	JD-4S00849	112.36
	9257711G	037053-		Bushing	70 mm		JD-0310304	34.45
COUPLER	AT343211			I-U-5	1-1/4	2	JD-AT343210	27.64
THUMB	AT339877			I-U-10	2-1/2	4	JD-AT339879	56.24
	AT383236			I-UB-14	2-1/2	4	JD-AT383237	710.44
TRACK ADJUSTER							JD-SK100098	27.09
MODEL 130G								
ARM	9288686G			P-UB-10	80 mm	115 mm	JD-4S00847	128.65
	9288686G	-040113		Bushing	80 mm		JD-AT264314	43.95
	9288686G	-040098		Bushing	80 mm		JD-AT264314	43.95
	9323697G			P-UB-10	80 mm	115 mm	JD-FYA00012900	286.69
	9323697G	040099-		Bushing	80 mm		JD-FXB00002113	43.95
	9323697G			Bushing	80 mm		JD-FXB00002113	43.95
BLADE (LH)	9187647			P-UB-10	70 mm	100 mm	JD-4388027	536.69
	9187647			Bushing	70 mm		JD-0643402	14.40
BLADE (RH)	9187648			P-UB-10	70 mm	100 mm	JD-4388027	536.69
	9187648			Bushing	70 mm		JD-0643402	14.40
BOOM (LH)	9257687G	-040105		P-UB-10	70 mm	105 mm	JD-4662895	268.58
	9257687G	-040105		Bushing	70 mm		JD-0310304	34.45
	9323696G	040106-		P-UB-10	70 mm	105 mm	JD-FYA00012899	313.35
	9323696G	040106-		Bushing	70 mm		JD-FXB00002262	14.40
	9323696G			Bushing	70 mm		JD-FXB00002262	14.40

LA - Long Arm LGP - Low Ground Pressure LT - Long Track MFWD - Mechanical Front Wheel Drive MP - Multi-Purpose
 IDM - Inside Dozer Mount ODM - Outside Dozer Mount SLF - Super Long Front STD - Straight Dozer WT - Wide Track

FORMERLY LISTED REPAIR PARTS ARE AVAILABLE ONLINE AT WWW.HERCULESUS.COM
 OR BY CONTACTING YOUR REGIONAL HERCULES SALES TEAM.

Replacement Kits For

JOHN DEERE®

Excavators									
APPLICATION	CYL #	SERIAL #	Misc	CODE	ROD	BORE	KIT #	List \$	
MODEL 130G									
BOOM (RH)	9257686G	-040105		P-UB-10	70 mm	105 mm	JD-4662895	268.58	
	9257686G	-040105		Bushing	70 mm		JD-0310304	34.45	
	9323695G	040106-		P-UB-10	70 mm	105 mm	JD-FYA00012899	313.35	
	9323695G			Bushing	70 mm		JD-FXB00002262	14.40	
	9323695G	040106-		Bushing	70 mm		JD-FXB00002262	14.40	
BUCKET	9257711G	-040079		P-UB-10	70 mm	100 mm	JD-4S00849	112.36	
	9257711G	-040079		Bushing	70 mm		JD-0310304	34.45	
	9323698G	040080-		P-UB-10	70 mm	100 mm	JD-FYA00012901	364.69	
	9323698G			Bushing	70 mm		JD-FXB00002262	14.40	
	9323698G	040080-		Bushing	70 mm		JD-FXB00002262	14.40	
COUPLER	AT343211			I-U-5	1-1/4	2	JD-AT343210	27.64	
THUMB	AT383236			I-UB-14	2-1/2	4	JD-AT383237	710.44	
TRACK ADJUSTER							JD-SK100099	15.46	
MODEL 135C									
ARM	9197519			P-UB-10	80 mm	115 mm	JD-4448396	324.05	
BLADE	4472591			P-U-10	50 mm	95 mm	JD-0745308	186.50	
BLADE (LH)	9187647			P-UB-10	70 mm	100 mm	JD-4388027	536.69	
BLADE (RH)	9187648			P-UB-10	70 mm	100 mm	JD-4388027	536.69	
BOOM (LH)	9197517			P-UB-10	70 mm	105 mm	JD-4662895	268.58	
BOOM (RH)	9197518			P-UB-10	70 mm	105 mm	JD-4662895	268.58	
BUCKET	9183014J			P-UB-10	70 mm	100 mm	JD-4448397	258.35	
MODEL 135D									
ARM	9288686G			P-UB-10	80 mm	115 mm	JD-4S00847	128.65	
	9288686G			P-UB-10	80 mm	115 mm	JD-4S00847-EX	299.16	
	9288686G			Bushing	80 mm		JD-AT264314	43.95	
	9288686G			Wear Ring		115 mm	JD-H227907	10.57	
	9288686G			Wear Ring		115 mm	JD-TH109357	55.09	
BLADE (LH)	9187647			P-UB-10	70 mm	100 mm	JD-4388027	536.69	
	9187647			Bushing	70 mm		JD-0643402	14.40	
BLADE (RH)	9187648			P-UB-10	70 mm	100 mm	JD-4388027	536.69	
	9187648			Bushing	70 mm		JD-0643402	14.40	
BOOM (LH)	9258475G			P-UB-10	70 mm	105 mm	JD-4662895	268.58	
	9258475G			P-UB-10	70 mm	105 mm	JD-4662895-EX	582.86	
	9258475G			Bushing	70 mm		JD-0310304	34.45	
	9258475G			Wear Ring		105 mm	JD-0907801	15.68	
	9258475G			Wear Ring		105 mm	JD-AT264388	32.20	
BOOM (RH)	9258474G			P-UB-10	70 mm	105 mm	JD-4662895	268.58	
	9258474G			P-UB-10	70 mm	105 mm	JD-4662895-EX	582.86	
	9258474G			Bushing	70 mm		JD-0310304	34.45	
	9258474G			Wear Ring		105 mm	JD-0907801	15.68	
	9258474G			Wear Ring		105 mm	JD-AT264388	32.20	
BUCKET	9257711G			P-UB-10	70 mm	100 mm	JD-4S00849	112.36	
	9257711G			P-UB-10	70 mm	100 mm	JD-4S00849-EX	283.30	
	9257711G			Bushing	70 mm		JD-0310304	34.45	
	9257711G			Wear Ring		100 mm	JD-4S00839	16.55	
	9257711G			Wear Ring		100 mm	JD-4S00840	98.62	
THUMB	AT383236		From JUNE 2010	I-UB-14	2-1/2	4	JD-AT383237	710.44	
MODEL 135G									
ARM	9323697G	-500002		P-UB-10	80 mm	115 mm	JD-FYA00012900	286.69	
	9323697G	-500002		Bushing	80 mm		JD-FXB00002113	43.95	
	FYA60043954G	500003-		P-UB-10	80 mm	115 mm	JD-FYA00001395	113.15	
	FYA60043954G	500003-		Bushing	80 mm		JD-AT264314	43.95	

LA - Long Arm LGP - Low Ground Pressure LT - Long Track MFWD - Mechanical Front Wheel Drive MP - Multi-Purpose
 IDM - Inside Dozer Mount ODM - Outside Dozer Mount SLF - Super Long Front STD - Straight Dozer WT - Wide Track

JOHN DEERE®

Replacement Kits For

JOHN DEERE®

Excavators								
APPLICATION	CYL #	SERIAL #	Misc	CODE	ROD	BORE	KIT #	List \$
MODEL 135G								
BLADE (LH)	9187647			P-UB-10	70 mm	100 mm	JD-4388027	536.69
	9187647			Bushing	70 mm		JD-0643402	14.40
BLADE (RH)	9187648			P-UB-10	70 mm	100 mm	JD-4388027	536.69
	9187648			Bushing	70 mm		JD-0643402	14.40
BOOM (LH)	9323700			P-UB-10	70 mm	105 mm	JD-FYA00012899	313.35
	9323700	-500002		Bushing	70 mm		JD-FXB00002262	14.40
	9323700	-401260		Bushing	70 mm		JD-FXB00002262	14.40
	9323700			Bushing	70 mm		JD-FXB00002262	14.40
	FYA60043950			P-UB-10	70 mm	105 mm	JD-FYA00009240	114.96
	FYA60043950	500003-		Bushing	70 mm		JD-0310304	34.45
	FYA60043950	401261-		Bushing	70 mm		JD-0310304	34.45
	FYA60043950			Bushing	70 mm		JD-0310304	34.45
	FYA60043950			Bushing	70 mm		JD-0310304	34.45
BOOM (RH)	9323699			P-UB-10	70 mm	105 mm	JD-FYA00012899	313.35
	9323699			Bushing	70 mm		JD-FXB00002262	14.40
	9323699	-401260		Bushing	70 mm		JD-FXB00002262	14.40
	9323699	-500002		Bushing	70 mm		JD-FXB00002262	14.40
	FYA60043949			P-UB-10	70 mm	105 mm	JD-FYA00009240	114.96
	FYA60043949			Bushing	70 mm		JD-0310304	34.45
	FYA60043949	401261-		Bushing	70 mm		JD-0310304	34.45
BUCKET	9257711G	500003-		P-UB-10	70 mm	100 mm	JD-FYA00011420	99.13
	9257711G	500003-		Bushing	70 mm		JD-0310304	34.45
	9323698G	-500002		P-UB-10	70 mm	100 mm	JD-FYA00012901	364.69
	9323698G	-500002		Bushing	70 mm		JD-FXB00002262	14.40
COUPLER	AT343211			I-U-5	1-1/4	2	JD-AT343210	27.64
THUMB	AT383236			I-UB-14	2-1/2	4	JD-AT383237	710.44
TRACK ADJUSTER							JD-SK100099	15.46
MODEL 160 LC								
ARM	AH155022	All		P-UB-10	85 mm	115 mm	JD-AH155025	508.40
BOOM (LH)	AH155042	All		P-UB-10	80 mm	110 mm	JD-AH155045	553.23
BOOM (RH)	AH155051	All		P-UB-10	80 mm	110 mm	JD-AH155045	553.23
BUCKET	AH155037	All		P-UB-10	75 mm	105 mm	JD-AH155040	744.53
MODEL 160C LC								
ARM	9206378J			P-UB-10	90 mm	120 mm	JD-4467380	383.33
BOOM (LH)	9206377J			P-UB-10	80 mm	110 mm	JD-4467379	353.89
BOOM (RH)	9206376J			P-UB-10	80 mm	110 mm	JD-4467379	353.89
BUCKET	9206379J			P-UB-10	75 mm	105 mm	JD-4467381	263.87
MODEL 160D LC								
ARM				P-UB-10	90 mm	120 mm	JD-4657449	383.33
				P-UB-10	90 mm	120 mm	JD-4657449-EX	465.17
BOOM (LH)				P-UB-10	80 mm	110 mm	JD-4662891	325.64
				P-UB-10	80 mm	110 mm	JD-4662891-EX	426.15
BOOM (RH)				P-UB-10	80 mm	110 mm	JD-4662891	325.64
				P-UB-10	80 mm	110 mm	JD-4662891-EX	426.15
BUCKET				P-UB-10	75 mm	105 mm	JD-4663493	274.02
				P-UB-10	75 mm	105 mm	JD-4663493-EX	336.49
MODEL 160GLC								
ARM	9257020G	-55199		P-UB-10	90 mm	120 mm	JD-4657449	383.33
	9257020G	-55199		P-UB-10	90 mm	120 mm	JD-4657449-EX	465.17
	9257020G	-55199		Bushing	90 mm		JD-AT264321	47.06

LA - Long Arm LGP - Low Ground Pressure LT - Long Track MFWD - Mechanical Front Wheel Drive MP - Multi-Purpose
 IDM - Inside Dozer Mount ODM - Outside Dozer Mount SLF - Super Long Front STD - Straight Dozer WT - Wide Track

FORMERLY LISTED REPAIR PARTS ARE AVAILABLE ONLINE AT WWW.HERCULESUS.COM
 OR BY CONTACTING YOUR REGIONAL HERCULES SALES TEAM.

Replacement Kits For

JOHN DEERE®

Excavators									
APPLICATION	CYL #	SERIAL #	Misc	CODE	ROD	BORE	KIT #	List \$	
MODEL 160GLC									
ARM	9257020G	-55199		Wear Ring		120 mm	JD-H227906	10.79	
	9257020G	-55199		Wear Ring			JD-AT264356	39.20	
	9323703	055200-		P-UB-10	90 mm	120 mm	JD-FYA00012903	551.80	
	9323703	055200-		Bushing	90 mm		JD-FXB00002051	51.59	
BOOM LH	9257019G	-55193		P-UB-10	80 mm	110 mm	JD-4662891	325.64	
	9257019G	-55193		P-UB-10	80 mm	110 mm	JD-4662891-EX	426.15	
	9257019G	-55193		Bushing	80 mm		JD-AT264314	43.95	
	9257019G	-55193		Wear Ring		110 mm	JD-4S00156	107.68	
	9257019G	-55193		Wear Ring		110 mm	JD-1119106	10.57	
	9323702	055194-		P-UB-10	80 mm	110 mm	JD-FYA00012902	421.96	
	9323702	055194-		Bushing	80 mm		JD-FXB00002113	43.95	
	9323702	055194-		Bushing	80 mm		JD-FXB00002113	43.95	
BOOM RH	9257018G	-55193		P-UB-10	80 mm	110 mm	JD-4662891	325.64	
	9257018G	-55193		P-UB-10	80 mm	110 mm	JD-4662891-EX	426.15	
	9257018G	-55193		Bushing	80 mm		JD-AT264314	43.95	
	9257018G	-55193		Wear Ring		110 mm	JD-4S00156	107.68	
	9257018G	-55193		Wear Ring		110 mm	JD-1119106	10.57	
	9323701	055194-		P-UB-10	80 mm	110 mm	JD-FYA00012902	421.96	
	9323701	055194-		Bushing	80 mm		JD-FXB00002113	43.95	
	9323701	055194-		Bushing	80 mm		JD-FXB00002113	43.95	
BUCKET	9257021G	-55223		P-UB-10	75 mm	105 mm	JD-4663493	274.02	
	9257021G	-55223		P-UB-10	75 mm	105 mm	JD-4663493-EX	336.49	
	9257021G	-55223		Bushing	75 mm		JD-TH109311	38.12	
	9257021G	-55223		Wear Ring		105 mm	JD-0907801	15.68	
	9257021G	-55223		Wear Ring		105 mm	JD-AT264388	32.20	
	9323704	055224-		P-UB-10	75 mm	105 mm	JD-FYA00012904	401.79	
	9323704	055224-		Bushing	75 mm		JD-FXB00002087	38.12	
	9323704	055224-		Bushing	75 mm		JD-FXB00002087	38.12	
THUMB	AT383236		06/28/2010-	I-UB-14	2-1/2	4	JD-AT383237	710.44	
MODEL 180GLC									
ARM	9256993G			P-UB-10	90 mm	125 mm	JD-4667663	134.62	
	9256993G			Bushing	90 mm		JD-AT264321	47.06	
	9256993G	-020081		Bushing	90 mm		JD-AT264321	47.06	
	9256993H			P-UB-10	90 mm	125 mm	JD-4667663	134.62	
	9256993H	-020123		Bushing	90 mm		JD-AT264321	47.06	
	9323707G			P-UB-10	90 mm	125 mm	JD-FYA00012906	497.13	
	9323707G	020124-		Bushing	90 mm		JD-FXB00002051	51.59	
	9323707G			Bushing	90 mm		JD-FXB00002051	51.59	
	9323707G			Bushing	90 mm		JD-FXB00002051	51.59	
BOOM (LH)	9256983G			P-UB-10	85 mm	120 mm	JD-AH225136	283.99	
	9256983G			Bushing	85 mm		JD-AT264272	48.79	
	9323706G			P-UB-10	85 mm	120 mm	JD-FYA00012905	369.84	
	9323706G			Bushing	85 mm		JD-FXB00002012	48.79	
BOOM (RH)	9256982G			P-UB-10	85 mm	120 mm	JD-AH225136	283.99	
	9256982G			Bushing	85 mm		JD-AT264272	48.79	
	9323705G			P-UB-10	85 mm	120 mm	JD-FYA00012905	369.84	
	9323705G			Bushing	85 mm		JD-FXB00002012	48.79	
BUCKET	9256994G			P-UB-10	75 mm	105 mm	JD-4663493	274.02	
	9256994G			Bushing	75 mm		JD-TH109311	38.12	
	9256994G	-020075		Bushing	75 mm		JD-TH109311	38.12	
	9323708G			P-UB-10	75 mm	105 mm	JD-FYA00012907	302.38	
	9323708G	020124-		Bushing	75 mm		JD-FXB00002087	38.12	
	9323708G	020076-		Bushing	75 mm		JD-FXB00002087	38.12	
	9323708G	020076-		Bushing	75 mm		JD-FXB00002087	38.12	

LA - Long Arm LGP - Low Ground Pressure LT - Long Track MFWD - Mechanical Front Wheel Drive MP - Multi-Purpose
 IDM - Inside Dozer Mount ODM - Outside Dozer Mount SLF - Super Long Front STD - Straight Dozer WT - Wide Track

NORTH AMERICA
 PHONE 1-800-777-5617
 FAX 1-800-759-6391

SALES OFFICE HOURS
 8 A.M. TO 8:00 P.M. EASTERN TIME
 www.HerculesUS.com

WORLDWIDE
 PHONE 1-727-796-1300
 FAX 1-727-797-8849

HERCULES®
 SEALING PRODUCTS

Replacement Kits For

JOHN DEERE®

Excavators								
APPLICATION	CYL #	SERIAL #	Misc	CODE	ROD	BORE	KIT #	List \$
MODEL 180GLC								
BUCKET	9323708G			Bushing	75 mm		JD-FXB00002087	38.12
COUPLER	AT343213			I-U-5	1-1/4	2	JD-AT343210	27.64
THUMB	AT383236			I-UB-14	2-1/2	4	JD-AT383237	710.44
TRACK ADJUSTER							JD-SK100100	89.34
MODEL 190E								
ARM	AT200453			P-UB-10	60 mm	95 mm	JD-AT200549	242.16
BLADE	AT200491			P-UB-10	50 mm	80 mm	JD-AT200574	229.22
BOOM	AT200452			P-UB-10	65 mm	115 mm	JD-AT200548	321.12
BUCKET	AT182460			P-UB-10	55 mm	85 mm	JD-AT200550	255.33
OFFSET BOOM ARM	AT200518			P-UB-10	60 mm	95 mm	JD-AT200549	242.16
OFFSET BOOM CYL	AT200507			P-UB-10	60 mm	105 mm	JD-AT200573	243.62
MODEL 200 LC								
ARM		051019-		P-UB-14	100 mm	145 mm	JD-AT264438	478.53
	AH148451	All		P-UB-10	95 mm	130 mm	JD-AH148453	563.99
BOOM (LH)	AH148792	All		P-UB-10	85 mm	120 mm	JD-AH148785	469.18
BOOM (RH)	AH148782	All		P-UB-10	85 mm	120 mm	JD-AH148785	469.18
BUCKET	AH148761	All		P-UB-10	75 mm	110 mm	JD-AH148776	506.86
MODEL 200C LC								
ARM	9169805Y			P-UB-10	95 mm	135 mm	JD-AH173444	357.29
BOOM (LH)	9175423Y			P-UB-10	85 mm	120 mm	JD-AH173457	469.18
BOOM (LH) (SLF)	AH165673			P-UB-10	85 mm	120 mm	JD-AH173457	469.18
BOOM (RH)	9175422Y			P-UB-10	85 mm	120 mm	JD-AH173457	469.18
BOOM (RH) (SLF)	AH148786			P-UB-10	85 mm	120 mm	JD-AH173457	469.18
BUCKET		-503594 ; 503595-		P-UB-10	80 mm	115 mm	JD-AH173451	275.71
BUCKET (SLF)				P-UB-10	65 mm	95 mm	JD-AT196469	492.55
MODEL 200D LC								
ARM				P-UB-10	95 mm	135 mm	JD-AH225135	551.89
BUCKET				P-UB-10	80 mm	115 mm	JD-AH225137	164.69
BUCKET (SLF)	4379259			P-UB-10	65 mm	95 mm	JD-AT196469	492.55
LEFT BOOM	9286529			P-UB-10	85 mm	120 mm	JD-AH225136	283.99
	9286529			P-UB-10	85 mm	120 mm	JD-AH225136-EX	419.60
RIGHT BOOM	9286528			P-UB-10	85 mm	120 mm	JD-AH225136	283.99
	9286528			P-UB-10	85 mm	120 mm	JD-AH225136-EX	419.60
MODEL 210GLC								
ARM	9234748G			P-UB-10	95 mm	135 mm	JD-AH225135	551.89
ARM (SLF)	1112701G			P-UB-10	100 mm	135 mm	JD-4672004	203.74
	1112701G			P-UB-10	100 mm	135 mm	JD-4672004-EX	312.09
	1112701G			Bushing	100 mm		JD-0836104	72.65
	1112701G			Wear Ring		135 mm	JD-H178696	69.11
	1112701G			Wear Ring		135 mm	JD-H227905	11.10
BOOM LH	9286529G			P-UB-10	85 mm	120 mm	JD-AH225136	283.99
	9286529G			P-UB-10	85 mm	120 mm	JD-AH225136-EX	419.60
	9286529G			Bushing	85 mm		JD-T108019	48.79
	9286529G			Wear Ring		120 mm	JD-TH104923	63.96
	9286529G			Wear Ring		120 mm	JD-H227906	10.79
BOOM RH	9286528G			P-UB-10	85 mm	120 mm	JD-AH225136	283.99
	9286528G			P-UB-10	85 mm	120 mm	JD-AH225136-EX	419.60
	9286528G			Bushing	85 mm		JD-T108019	48.79
	9286528G			Wear Ring		120 mm	JD-H227906	10.79
	9286528G			Wear Ring		120 mm	JD-TH104923	63.96
BUCKET	9248307G			P-UB-10	80 mm	115 mm	JD-AH225137	164.69
BUCKET (SLF)	4379259			P-UB-10	65 mm	95 mm	JD-AT196469	492.55

LA - Long Arm LGP - Low Ground Pressure LT - Long Track MFWD - Mechanical Front Wheel Drive MP - Multi-Purpose
 IDM - Inside Dozer Mount ODM - Outside Dozer Mount SLF - Super Long Front STD - Straight Dozer WT - Wide Track

FORMERLY LISTED REPAIR PARTS ARE AVAILABLE ONLINE AT WWW.HERCULESUS.COM
 OR BY CONTACTING YOUR REGIONAL HERCULES SALES TEAM.

JOHN DEERE®

Replacement Kits For

JOHN DEERE®

Excavators								
APPLICATION	CYL #	SERIAL #	Misc	CODE	ROD	BORE	KIT #	List \$
MODEL 210GLC								
BUCKET (SLF)	4379259			Bushing	65 mm		JD-AT264389	30.52
THUMB	AT383236			I-UB-14	2-1/2	4	JD-AT383237	710.44
MODEL 225C LC								
ARM	9169805			P-UB-10	95 mm	135 mm	JD-4661594	357.58
BOOM (LH)	9196649			P-UB-10	85 mm	120 mm	JD-AH225136	283.99
BOOM (RH)	9196650			P-UB-10	85 mm	120 mm	JD-AH225136	283.99
BUCKET	DH900365J			P-UB-10	80 mm	115 mm	JD-AH173451	275.71
MODEL 225DLC								
ARM	9234748G			P-UB-10	95 mm	135 mm	JD-AH225135	551.89
	9234748G			Bushing	95 mm		JD-T108050	53.01
BOOM (LH)	9286538G			P-UB-10	85 mm	120 mm	JD-AH225136	283.99
	9286538G			Bushing	85 mm		JD-AT264272	48.79
BOOM (RH)	9286538G			P-UB-10	85 mm	120 mm	JD-AH225136	283.99
	9286538G			Bushing	85 mm		JD-AT264272	48.79
BUCKET	9248307G			P-UB-10	80 mm	115 mm	JD-AH225137	164.69
	9248307G			Bushing	80 mm		JD-T108041	43.95
COUPLER	AT343213			I-U-5	1-1/4	2	JD-AT343210	27.64
THUMB	AT339877			I-U-10	2-1/2	4	JD-AT339879	56.24
	AT383236			I-UB-14	2-1/2	4	JD-AT383237	710.44
TRACK ADJUSTER							JD-SK100100	89.34
MODEL 230 LC								
ARM	AT154865	All		P-UB-14	100 mm	135 mm	JD-AT183658	293.97
	AT154865	All		Bushing	100 mm		JD-AT131414	73.24
	AT154865	All		Wear Ring		135 mm	JD-AT154718	28.41
	AT154865	All		Wear Ring		135 mm	JD-TH110033	80.96
BOOM (LH)	AT154864	All		P-UB-14	90 mm	125 mm	JD-AT154867	319.88
	AT154864	All		Bushing	90 mm		JD-AT154779	47.06
	AT154864	All		Wear Ring		125 mm	JD-AT154735	20.65
BOOM (RH)	AT154864	All		Wear Ring		125 mm	JD-AT154700	74.57
	AT154864	All		P-UB-14	90 mm	125 mm	JD-AT154867	319.88
	AT154864	All		Bushing	90 mm		JD-AT154779	47.06
BUCKET	AT154864	All		Wear Ring		125 mm	JD-AT154735	20.65
	AT154864	All		Wear Ring		125 mm	JD-AT154700	74.57
	AT182459	All		P-UB-14	85 mm	125 mm	JD-AT181250	225.34
	AT182459	All		Bushing	85 mm		JD-AT154778	48.79
	AT182459	All		Wear Ring		125 mm	JD-AT154735	20.65
	AT182459	All		Wear Ring		125 mm	JD-AT154700	74.57
MODEL 230C LC								
ARM		-603582		P-UB-14	105 mm	140 mm	JD-9207059	250.49
	9234731J	603583-		P-UB-10	105 mm	140 mm	JD-4631062	365.78
ARM (SLF)				P-UB-10	105 mm	145 mm	JD-4369943	439.67
BOOM (LH)		603538-603552 ; 603514		P-UB-14	90 mm	125 mm	JD-4485612	174.94
	9234729J	603515-603552 ; 603553-		P-UB-10	90 mm	125 mm	JD-4662069	303.96
BOOM (RH)		603538-603552 ; 603514		P-UB-14	90 mm	125 mm	JD-4485612	174.94
	9234729J	603515-603537 ; 603533-		P-UB-10	90 mm	125 mm	JD-4662069	303.96
BUCKET		-603533		P-UB-14	90 mm	130 mm	JD-4485614	197.10
BUCKET (SLF)				P-UB-10	65 mm	95 mm	JD-AT196469	492.55
MODEL 240D LC								
ARM	PG200017G			P-UB-10	100 mm	140 mm	JD-4649050	421.72
	PG200017G			P-UB-10	100 mm	140 mm	JD-4649050-EX	564.20
ARM (SLF)	4388916			P-UB-10	105 mm	145 mm	JD-4369943	439.67
	4388916			P-UB-10	105 mm	145 mm	JD-4369943-EX	546.51

LA - Long Arm LGP - Low Ground Pressure LT - Long Track MFWD - Mechanical Front Wheel Drive MP - Multi-Purpose
 IDM - Inside Dozer Mount ODM - Outside Dozer Mount SLF - Super Long Front STD - Straight Dozer WT - Wide Track

Replacement Kits For

JOHN DEERE®

Excavators								
APPLICATION	CYL #	SERIAL #	Misc	CODE	ROD	BORE	KIT #	List \$
MODEL 240D LC								
BOOM (LH)				P-UB-10	90 mm	125 mm	JD-4662069	303.96
BOOM (RH)				P-UB-10	90 mm	125 mm	JD-4662069	303.96
BUCKET				P-UB-10	90 mm	130 mm	JD-4662066	262.70
				P-UB-10	90 mm	130 mm	JD-4662066-EX	410.83
BUCKET (SLF)	4379259			P-UB-10	65 mm	95 mm	JD-AT196469	492.55
THUMB	AT383236			I-UB-14	3	5	JD-AT383285	418.16
MODEL 245GLC								
ARM	9312271G			P-UB-10	95 mm	135 mm	JD-FYA00001400	215.36
	9312271G			Bushing	95 mm		JD-T108050	53.01
	9312271G			Wear Ring		135 mm	JD-H227905	11.10
	9312271G			Wear Ring		135 mm	JD-H178696	69.11
BOOM LH	9315652G			P-UB-10	85 mm	120 mm	JD-FYA00001396	164.11
	9315652G			Bushing	85 mm		JD-AT264272	48.79
	9315652G			Wear Ring		120 mm	JD-H227906	10.79
BOOM RH	9315652G			Wear Ring			JD-AT264356	39.20
	9315651G			P-UB-10	85 mm	120 mm	JD-FYA00001396	164.11
	9315651G			Bushing	85 mm		JD-AT264272	48.79
BUCKET	9312272G			Wear Ring			JD-AT264356	39.20
	9312272G			Wear Ring		120 mm	JD-H227906	10.79
	9312272G			P-UB-10	80 mm	115 mm	JD-FYA00001392	164.90
BUCKET	9312272G			Bushing	80 mm		JD-AT264314	43.95
	9312272G			Wear Ring		115 mm	JD-H227907	10.57
	9312272G			Wear Ring		115 mm	JD-TH109357	55.09
THUMB	AT383236			I-UB-14	2-1/2	4	JD-AT383237	710.44
TRACK ADJUSTER	9303131						JD-SK100100	89.34
MODEL 250GLC								
ARM	9246750G			P-UB-10	100 mm	140 mm	JD-FYA00006591	215.85
	9246750G			P-UB-10	100 mm	140 mm	JD-FYA00006591-EX	330.98
	9246750G			Bushing	100 mm		JD-0836104	72.65
	9246750G			Wear Ring			JD-4S00705	24.99
	9246750G			Wear Ring		140 mm	JD-TH102797	69.98
ARM (SLF)	4388916			P-UB-10	105 mm	145 mm	JD-4369943	439.67
	4388916			P-UB-10	105 mm	145 mm	JD-4369943-EX	546.51
	4388916			Bushing	105 mm		JD-0373405	62.48
	4388916			Wear Ring		145 mm	JD-4S00804	110.09
	4388916			Wear Ring		145 mm	JD-0492209	24.99
BOOM LH	9261586G			P-UB-10	90 mm	125 mm	JD-4662069	303.96
	9261586G			P-UB-10	90 mm	125 mm	JD-4662069-EX	341.10
	9261586G			Bushing	90 mm		JD-AT264321	47.06
	9261586G			Wear Ring			JD-4S00708	19.39
	9261586G			Wear Ring		125 mm	JD-AT264362	12.65
BOOM RH	9261586G			P-UB-10	90 mm	125 mm	JD-4S00715	188.59
	9261586G			P-UB-10	90 mm	125 mm	JD-4S00715-EX	225.86
	9261586G			Bushing	90 mm		JD-AT264321	47.06
	9261586G			Wear Ring		125 mm	JD-AT264362	12.65
	9261586G			Wear Ring			JD-4S00708	19.39
BUCKET	9282252G			P-UB-10	90 mm	130 mm	JD-4662066	262.70
	9282252G			P-UB-10	90 mm	130 mm	JD-4662066-EX	410.83
	9282252G			Bushing	90 mm		JD-AT264321	47.06

LA - Long Arm LGP - Low Ground Pressure LT - Long Track MFWD - Mechanical Front Wheel Drive MP - Multi-Purpose
 IDM - Inside Dozer Mount ODM - Outside Dozer Mount SLF - Super Long Front STD - Straight Dozer WT - Wide Track

FORMERLY LISTED REPAIR PARTS ARE AVAILABLE ONLINE AT WWW.HERCULESUS.COM
 OR BY CONTACTING YOUR REGIONAL HERCULES SALES TEAM.

JOHN DEERE®

Replacement Kits For

JOHN DEERE®

Excavators								
APPLICATION	CYL #	SERIAL #	Misc	CODE	ROD	BORE	KIT #	List \$
MODEL 250GLC								
BUCKET	9282252G			Wear Ring		130 mm	JD-H155318	67.84
	9282252G			Wear Ring			JD-4S00712	22.78
BUCKET (SLF)	4379259			P-UB-10	65 mm	95 mm	JD-AT196469	492.55
	4379259			Bushing	65 mm		JD-AT264389	30.52
THUMB	AT383284			I-UB-14	3	5	JD-AT383285	418.16
MODEL 270C LC								
ARM			- Aug 2004	P-UB-14	100 mm	145 mm	JD-AT264438	478.53
			Aug 2004 -	P-UB-10	100 mm	145 mm	JD-4639938	383.77
ARM (SLF)				P-UB-10	105 mm	145 mm	JD-4369943	439.67
BOOM (LH)			Aug 2004 -	P-UB-10	95 mm	135 mm	JD-4639936	413.26
	9245979J		- Aug 2004	P-UB-14	95 mm	135 mm	JD-4485615	243.11
BOOM (RH)			Aug 2004 -	P-UB-10	95 mm	135 mm	JD-4639936	413.26
	9245978J		- Aug 2004	P-UB-14	95 mm	135 mm	JD-4485615	243.11
BUCKET			- Aug 2004	P-UB-14	90 mm	135 mm	JD-AT264439	536.15
			Aug 2004 -	P-UB-10	90 mm	135 mm	JD-4639939	458.68
BUCKET (SLF)				P-UB-10	65 mm	95 mm	JD-AT196469	492.55
MODEL 270D LC								
ARM				P-UB-14	105 mm	150 mm	JD-4649752	380.93
ARM (SLF)	4388916			P-UB-10	105 mm	145 mm	JD-4369943	439.67
	4388916			P-UB-10	105 mm	145 mm	JD-4369943-EX	546.51
BOOM (LH)				P-UB-14	95 mm	135 mm	JD-4649745	272.17
BOOM (RH)				P-UB-14	95 mm	135 mm	JD-4649745	272.17
BUCKET				P-UB-14	90 mm	135 mm	JD-4649751	277.69
BUCKET (SLF)	4379259			P-UB-10	65 mm	95 mm	JD-AT196469	492.55
THUMB	AT383236			I-UB-14	3	5	JD-AT383285	418.16
MODEL 290D								
ARM	AT130515	All		P-UB-10	70 mm	105 mm	JD-AT130601	276.94
BOOM	AT130512	All		P-UB-10	65 mm	95 mm	JD-AT130600	222.81
	AT130513	All		P-UB-10	65 mm	95 mm	JD-AT130600	222.81
BUCKET	AT182454	All		P-UB-10	60 mm	95 mm	JD-AT130602	190.32
	AT182454	All		Bushing	60 mm		JD-TH110296	29.84
MODEL 290GLC								
ARM	9246544	-706203	piston 0971316	P-UB-14	105 mm	150 mm	JD-FYA00010733	360.97
	9246544G	-706203	piston 0971316	P-UB-14	105 mm	150 mm	JD-FYA00010733	360.97
	9246544G	-706203	piston FYA00009045	P-UB-10	105 mm	150 mm	JD-FYA00008675	379.26
	9246544G	-706203		Bushing	105 mm		JD-0971302	65.14
	9309807G	-706203	piston 0971316	P-UB-14	105 mm	150 mm	JD-FYA00010733	360.97
	9309807G	706204-		P-UB-10	105 mm	150 mm	JD-FYA00006594	314.96
	9309807G	-706203	piston FYA00009045	P-UB-10	105 mm	150 mm	JD-FYA00008675	379.26
	9309807G	706204-		Bushing	105 mm		JD-FXB00002479	65.14
	9309807G	-706203		Bushing	105 mm		JD-0971302	65.14
	ARM SLF	4388916			P-UB-10	105 mm	145 mm	JD-4369943
4388916				Bushing	105 mm		JD-0373405	62.48
9162869				P-UB-10	105 mm	145 mm	JD-4369943	439.67
9162869				Bushing	105 mm		JD-0373405	62.48
BOOM (LH)	9261597G		piston 0971215	P-UB-14	95 mm	135 mm	JD-FYA00010734	235.46
	9261597G		piston FYA00009046	P-UB-14	95 mm	135 mm	JD-FYA00008823	247.41
	9261597G			Bushing	95 mm		JD-0971202	53.01

LA - Long Arm LGP - Low Ground Pressure LT - Long Track MFWD - Mechanical Front Wheel Drive MP - Multi-Purpose
 IDM - Inside Dozer Mount ODM - Outside Dozer Mount SLF - Super Long Front STD - Straight Dozer WT - Wide Track

Replacement Kits For

JOHN DEERE®

JOHN DEERE®

Excavators								
APPLICATION	CYL #	SERIAL #	Misc	CODE	ROD	BORE	KIT #	List \$
MODEL 290GLC								
BOOM (RH)	9261597G		piston 0971215	P-UB-14	95 mm	135 mm	JD-FYA00010734	235.46
	9261597G		piston FYA00009046	P-UB-14	95 mm	135 mm	JD-FYA00008823	247.41
	9261597G			Bushing	95 mm		JD-0971202	53.01
BUCKET	9246545	-706256	piston 0971413	P-UB-14	90 mm	135 mm	JD-FYA00010735	285.36
	9246545G	-706256	piston FYA00009047	P-UB-14	90 mm	135 mm	JD-FYA00008826	280.83
	9246545G	-706256	piston 0971413	P-UB-14	90 mm	135 mm	JD-FYA00010735	285.36
	9246545G	-706256		Bushing	90 mm		JD-0971402	51.59
	9309808G	706527-		P-UB-10	90 mm	135 mm	JD-FYA00006595	468.71
	9309808G	-706256	piston 0971413	P-UB-14	90 mm	135 mm	JD-FYA00010735	285.36
	9309808G	-706256	piston FYA00009047	P-UB-14	90 mm	135 mm	JD-FYA00008826	280.83
	9309808G	-706256		Bushing	90 mm		JD-0971402	51.59
	BUCKET SLF	9156726			P-UB-10	65 mm	95 mm	JD-AT196469
9156726				Bushing	65 mm		JD-AT264389	30.52
THUMB	AT383284			I-UB-14	3	5	JD-AT383285	418.16
TRACK ADJUSTER							JD-SK100101	58.69
MODEL 300GLC								
ARM	9309807G			P-UB-10	105 mm	150 mm	JD-FYA00006594	314.96
ARM SLF	4388916			P-UB-10	105 mm	145 mm	JD-4369943	439.67
	4388916			Bushing	105 mm		JD-0373405	62.48
BOOM LH	9309806G			P-UB-10	95 mm	135 mm	JD-FYA00006593	405.01
	9309806G			Bushing	95 mm		JD-263G857041	53.01
BOOM LH SLF	9261597G		Piston FYA00009046	P-UB-14	95 mm	135 mm	JD-FYA00008823	247.41
	9261597G		Piston 0971215	P-UB-14	95 mm	135 mm	JD-FYA00010734	235.46
	9261597G			Bushing	95 mm		JD-0971202	53.01
BOOM RH	9309805G			P-UB-10	95 mm	135 mm	JD-FYA00006593	405.01
	9309805G			Bushing	95 mm		JD-263G857041	53.01
BOOM RH SLF	0971234G		Piston FYA00009046	P-UB-14	95 mm	135 mm	JD-FYA00008823	247.41
	0971234G		Piston 0971215	P-UB-14	95 mm	135 mm	JD-FYA00010734	235.46
	0971234G			Bushing	95 mm		JD-0971202	53.01
BUCKET	9309808G			P-UB-10	90 mm	135 mm	JD-FYA00006595	468.71
	9309808G			Bushing	90 mm		JD-FXB00002051	51.59
BUCKET SLF	9156726			P-UB-10	65 mm	95 mm	JD-AT196469	492.55
	9156726			Bushing	65 mm		JD-AT264389	30.52
THUMB	AT383284			I-UB-14	3	5	JD-AT383285	418.16
TRACK ADJUSTER	9243657R						JD-SK100101	58.69
MODEL 330 LC								
BOOM (Log Loader) (LH)		051012-		P-UB-14	115 mm	170 mm	JD-AT264441	556.11
BOOM (Log Loader) (RH)		051012-		P-UB-14	115 mm	170 mm	JD-AT264441	556.11
BUCKET	AT250263	All		P-UB-14	95 mm	145 mm	JD-AT181792	254.55
	AT250263	All		Bushing	95 mm		JD-AT131420	62.35
	AT250263	All		Wear Ring		145 mm	JD-TH110062	88.57
	AT250263	All		Wear Ring		145 mm	JD-TH110063	32.92

LA - Long Arm LGP - Low Ground Pressure LT - Long Track MFWD - Mechanical Front Wheel Drive MP - Multi-Purpose
 IDM - Inside Dozer Mount ODM - Outside Dozer Mount SLF - Super Long Front STD - Straight Dozer WT - Wide Track

FORMERLY LISTED REPAIR PARTS ARE AVAILABLE ONLINE AT WWW.HERCULESUS.COM
 OR BY CONTACTING YOUR REGIONAL HERCULES SALES TEAM.

Replacement Kits For

JOHN DEERE®

Excavators								
APPLICATION	CYL #	SERIAL #	Misc	CODE	ROD	BORE	KIT #	List \$
MODEL 330C LC								
ARM	0961401JEX		Aug 2004 -	P-UB-14	115 mm	170 mm	JD-4640118	631.65
	TH9206360		- Aug 2004	P-UB-14	115 mm	170 mm	JD-AT264441	556.11
BOOM (LH)	0961201JEX	804316-		P-UB-14	105 mm	150 mm	JD-4640107	829.62
	TH9206359	-804315		P-UB-14	105 mm	150 mm	JD-AT264440	571.14
BOOM (RH)	0961201JEX	804316-		P-UB-14	105 mm	150 mm	JD-4640107	829.62
	TH9206359	-804315		P-UB-14	105 mm	150 mm	JD-AT264440	571.14
BUCKET	0961501JEX		Aug 2004 -	P-UB-14	95 mm	145 mm	JD-4640108	725.23
	TH9206361		- Aug 2004	P-UB-14	95 mm	145 mm	JD-AT264430	524.05
MODEL 345GLC								
ARM	9309807G	1FF345GX_ F020001-		P-UB-10	105 mm	150 mm	JD-FXB00018602	430.67
BOOM (LH)	FYA60047019G	1FF345GX_ F020001-		P-UB-10	100 mm	135 mm	JD-FXB00016132	129.52
BOOM (RH)	FYA60047018G	1FF345GX_ F020001-		P-UB-10	100 mm	135 mm	JD-FXB00016132	129.52
BUCKET	9309808G	1FF345GX_ F020001-		P-UB-10	90 mm	135 mm	JD-FYA00006595	468.71
THUMB	AT383284	1FF345GX_ F020001-		I-UB-14	3	5	JD-AT383285	418.16
MODEL 350D LC								
ARM				P-UB-10	115 mm	170 mm	JD-4S00930	358.87
				P-UB-10	115 mm	170 mm	JD-4S00930-EX	582.58
ARM (SLF)				P-UB-14	115 mm	170 mm	JD-4640118	631.65
BOOM (LH)				P-UB-10	100 mm	145 mm	JD-4S00783	341.87
				P-UB-10	100 mm	145 mm	JD-4S00783-EX	556.70
BOOM (RH)				P-UB-10	100 mm	145 mm	JD-4S00783	341.87
				P-UB-10	100 mm	145 mm	JD-4S00783-EX	556.70
BUCKET				P-UB-10	95 mm	140 mm	JD-4S07784	304.46
				P-UB-10	95 mm	140 mm	JD-4S07784-EX	459.97
BUCKET (18m SLF)	4370785			P-UB-10	75 mm	105 mm	JD-AH155040	744.53
BUCKET (22m SLF)	4379259			P-UB-10	65 mm	95 mm	JD-AT196469	492.55
THUMB	AT383236			I-UB-14	3	5	JD-AT383285	418.16
MODEL 350GLC								
ARM	9303616	-808223		P-UB-10	115 mm	170 mm	JD-4S00930	358.87
	9303616	-808223		P-UB-10	115 mm	170 mm	JD-4S00930-EX	582.58
	9303616	-808223		Bushing	115 mm		JD-0352704	70.57
	9303616	-808223		Wear Ring		170 mm	JD-AT264248	32.17
	9303616	-808223		Wear Ring		170 mm	JD-4S00858	30.12
	9303616G	808224-		P-UB-10	115 mm	170 mm	JD-FYA00008837	691.55
	9303616G	808224-		Bushing	115 mm		JD-1237306	29.35
ARM (SLF)	4611472			P-UB-14	115 mm	170 mm	JD-4640118	631.65
	4611472			Bushing	115 mm		JD-0961415	86.42
BOOM LH	9261587G	-808213		P-UB-10	100 mm	145 mm	JD-FYA00006596	195.84
	9261587G	-808213		P-UB-10	100 mm	145 mm	JD-FYA00006596-EX	360.26
	9261587G	-808213		Bushing	100 mm		JD-0836104	72.65
	9261587G	-808213		Wear Ring		145 mm	JD-4S00803	24.99
	9261587G	-808213		Wear Ring		145 mm	JD-4S00804	110.09
	9303615	808214-		P-UB-10	100 mm	145 mm	JD-FYA00008840	622.18
	9303615	808214-		Bushing	100 mm		JD-1237106	58.59
BOOM RH	9261587G	-808213		P-UB-10	100 mm	145 mm	JD-FYA00006596	195.84

LA - Long Arm LGP - Low Ground Pressure LT - Long Track MFWD - Mechanical Front Wheel Drive MP - Multi-Purpose
 IDM - Inside Dozer Mount ODM - Outside Dozer Mount SLF - Super Long Front STD - Straight Dozer WT - Wide Track

Replacement Kits For

JOHN DEERE®

JOHN DEERE®

Excavators								
APPLICATION	CYL #	SERIAL #	Misc	CODE	ROD	BORE	KIT #	List \$
MODEL 350GLC								
BOOM RH	9261587G	-808213		P-UB-10	100 mm	145 mm	JD-FYA00006596-EX	360.26
	9261587G	-808213		Bushing	100 mm		JD-0836104	72.65
	9261587G	-808213		Wear Ring		145 mm	JD-4S00803	24.99
	9261587G	-808213		Wear Ring		145 mm	JD-4S00804	110.09
	9303614	808214-		P-UB-10	100 mm	145 mm	JD-FYA00008840	622.18
	9303614	808214-		Bushing	100 mm		JD-1237106	58.59
BUCKET	9303617	-808228		P-UB-10	95 mm	140 mm	JD-FYA00001398	197.40
	9303617	-808228		P-UB-10	95 mm	140 mm	JD-FYA00001398-EX	312.51
	9303617	-808228		Bushing	95 mm		JD-T108050	53.01
	9303617	-808228		Wear Ring		140 mm	JD-TH102797	69.98
	9303617	-808228		Wear Ring			JD-4S00705	24.99
	9303617G	808229-		P-UB-10	95 mm	140 mm	JD-FYA00008843	582.25
	9303617G	808229-		Bushing	95 mm		JD-0971202	53.01
	BUCKET (SLF)	4370785JEX		18m	P-UB-10	75 mm	105 mm	JD-AH155040
	4370785JEX		18m	Bushing	75 mm		JD-TH109311	38.12
	4379259			P-UB-10	65 mm	95 mm	JD-AT196469	492.55
	4379259			Bushing	65 mm		JD-AT264389	30.52
THUMB	AT383284		06/28/2010-	I-UB-14	3	5	JD-AT383285	418.16
MODEL 370								
BOOM (Log Loader) (LH)		051005-		P-UB-14	115 mm	170 mm	JD-AT264441	556.11
BOOM (Log Loader) (RH)		051005-		P-UB-14	115 mm	170 mm	JD-AT264441	556.11
BUCKET	AT250263	All		P-UB-14	95 mm	145 mm	JD-AT181792	254.55
	AT250263	All		Bushing	95 mm		JD-AT131420	62.35
	AT250263	All		Wear Ring		145 mm	JD-TH110062	88.57
	AT250263	All		Wear Ring		145 mm	JD-TH110063	32.92
MODEL 370C								
ARM	0961401JEX		Aug 2004 -	P-UB-14	115 mm	170 mm	JD-4640118	631.65
	TH9206360		- Aug 2004	P-UB-14	115 mm	170 mm	JD-AT264441	556.11
BOOM (LH)	0961201JEX	083163-		P-UB-14	105 mm	150 mm	JD-4640107	829.62
	TH9206359	-083162		P-UB-14	105 mm	150 mm	JD-AT264440	571.14
BOOM (RH)	0961201JEX	083163-		P-UB-14	105 mm	150 mm	JD-4640107	829.62
	TH9206359	-083162		P-UB-14	105 mm	150 mm	JD-AT264440	571.14
BUCKET	0961501JEX		Aug 2004 -	P-UB-14	95 mm	145 mm	JD-4640108	725.23
	TH9206361		- Aug 2004	P-UB-14	95 mm	145 mm	JD-AT264430	524.05
MODEL 450 LC								
BUCKET LONG ARM	AT182461	803513-		P-UB-14	95 mm	145 mm	JD-AT181792	254.55
	AT182461	-803512		P-UB-14	95 mm	145 mm	JD-AT201185	443.51
	AT182461	All		Bushing	95 mm		JD-AT131420	62.35
	AT182461	All		Wear Ring		145 mm	JD-TH110063	32.92
	AT182461	All		Wear Ring		145 mm	JD-TH110062	88.57
MODEL 450C LC								
ARM				P-UB-10	130 mm	190 mm	JD-AT302758	640.37
BOOM (LH)		091287-		P-UB-10	115 mm	170 mm	JD-AT196471	599.44
		-091286		P-UB-14	115 mm	170 mm	JD-9180582	408.70
BOOM (RH)		091287-		P-UB-10	115 mm	170 mm	JD-AT196471	599.44
		-091286		P-UB-14	115 mm	170 mm	JD-9180582	408.70
BUCKET (LA)			- Dec 2005	P-UB-14	95 mm	145 mm	JD-AT264430	524.05
MODEL 450D LC								
ARM	4653044G			P-UB-10	130 mm	190 mm	JD-4653041	442.08
	4653044G			P-UB-10	130 mm	190 mm	JD-4653041-EX	721.47

LA - Long Arm LGP - Low Ground Pressure LT - Long Track MFWD - Mechanical Front Wheel Drive MP - Multi-Purpose
 IDM - Inside Dozer Mount ODM - Outside Dozer Mount SLF - Super Long Front STD - Straight Dozer WT - Wide Track

FORMERLY LISTED REPAIR PARTS ARE AVAILABLE ONLINE AT WWW.HERCULESUS.COM
 OR BY CONTACTING YOUR REGIONAL HERCULES SALES TEAM.

Replacement Kits For

JOHN DEERE®

Excavators								
APPLICATION	CYL #	SERIAL #	Misc	CODE	ROD	BORE	KIT #	List \$
MODEL 450D LC								
BOOM (LH)	4653043G			P-UB-10	115 mm	170 mm	JD-4S00961	377.59
	4653043G			P-UB-10	115 mm	170 mm	JD-4S00961-EX	612.72
BOOM (RH)				P-UB-10	115 mm	170 mm	JD-4653040	377.59
				P-UB-10	115 mm	170 mm	JD-4653040-EX	601.16
BUCKET				P-UB-10	120 mm	170 mm	JD-4S00959	200.05
				P-UB-10	120 mm	170 mm	JD-4S00959-EX	433.79
BUCKET (LA)	4658553G			P-UB-10	95 mm	145 mm	JD-4660570	300.24
THUMB	AT383236			I-UB-14	3	5	JD-AT383285	418.16
MODEL 470GLC								
ARM	4712920			P-UB-10	130 mm	190 mm	JD-4S00960	559.40
	4712920			P-UB-10	130 mm	190 mm	JD-4S00960-EX	697.06
	4712920			Bushing	130 mm		JD-AT264250	100.07
	4712920			Wear Ring		190 mm	JD-0972305	54.24
	4712920			Wear Ring		190 mm	JD-AT264245	64.14
BOOM LH	4698939			P-UB-10	115 mm	170 mm	JD-4S00961	377.59
	4698939			P-UB-10	115 mm	170 mm	JD-4S00961-EX	612.72
	4698939			Bushing	115 mm		JD-0352704	70.57
	4698939			Wear Ring		170 mm	JD-AT264248	32.17
	4698939			Wear Ring		170 mm	JD-4S00858	30.12
BOOM RH	4698938			P-UB-10	115 mm	170 mm	JD-4686432	612.48
	4698938			Bushing	115 mm		JD-0352704	70.57
BUCKET	FYA00004897			P-UB-10	120 mm	170 mm	JD-4S00959	200.05
	FYA00004897			P-UB-10	120 mm	170 mm	JD-4S00959-EX	433.79
	FYA00004897			Bushing	120 mm		JD-AT264291	68.36
	FYA00004897			Wear Ring		170 mm	JD-4S00858	30.12
	FYA00004897			Wear Ring		170 mm	JD-AT264248	32.17
COUNTERWEIGHT	4723756			P-UB-10	85 mm	130 mm	JD-FXB00001834	286.80
	4723756			Bushing	85 mm		JD-FXB00001811	52.10
THUMB	AT383284		06/28/2010-	I-UB-14	3	5	JD-AT383285	418.16
MODEL 490E								
ARM	AT154402	All		P-UB-10	80 mm	110 mm	JD-AT177556	380.34
	AT154402	All		Bushing	80 mm		JD-T108041	43.95
	AT154402	All		Wear Ring		110 mm	JD-AT153830	107.68
	AT154402	All		Wear Ring		110 mm	JD-AT153936	17.65
BOOM (LH)	AT154399	All		P-UB-10	70 mm	105 mm	JD-AT176822	273.71
	AT154399	All		Bushing	70 mm		JD-AT133645	34.45
	AT154399	All		Wear Ring		105 mm	JD-TH109324	130.12
	AT154399	All		Wear Ring		105 mm	JD-TH109323	47.99
BOOM (RH)	AT154396	All		P-UB-10	70 mm	105 mm	JD-AT176822	273.71
	AT154396	All		Bushing	70 mm		JD-AT133645	34.45
	AT154396	All		Wear Ring		105 mm	JD-TH109323	47.99
	AT154396	All		Wear Ring		105 mm	JD-TH109324	130.12
BUCKET	AT154407	All		P-UB-10	65 mm	95 mm	JD-AT176737	293.97
	AT154407	All		Bushing	65 mm		JD-TH109372	30.52
	AT154407	All		Wear Ring		95 mm	JD-TH109377	14.85
	AT154407	All		Wear Ring		95 mm	JD-TH109378	51.37
MODEL 590D								
ARM	AT127249	All		P-UB-10	85 mm	120 mm	JD-AT192075	195.89
	AT127249	All		Bushing	85 mm		JD-T108019	48.79
	AT127249	All		Wear Ring		120 mm	JD-TH104923	63.96
	AT127249	All		Wear Ring		120 mm	JD-T108046	16.33
BOOM (LH)	AT127250	All		P-UB-10	80 mm	115 mm	JD-AT194335	409.95
	AT127250	All		Bushing	80 mm		JD-T108041	43.95
	AT127250	All		Wear Ring		115 mm	JD-TH109357	55.09
	AT127250	All		Wear Ring		115 mm	JD-TH109356	17.88

LA - Long Arm LGP - Low Ground Pressure LT - Long Track MFWD - Mechanical Front Wheel Drive MP - Multi-Purpose
 IDM - Inside Dozer Mount ODM - Outside Dozer Mount SLF - Super Long Front STD - Straight Dozer WT - Wide Track

Replacement Kits For

JOHN DEERE®

Excavators								
APPLICATION	CYL #	SERIAL #	Misc	CODE	ROD	BORE	KIT #	List \$
MODEL 590D								
BOOM (RH)	AT127251	All		P-UB-10	80 mm	115 mm	JD-AT194335	409.95
	AT127251	All		Bushing	80 mm		JD-T108041	43.95
	AT127251	All		Wear Ring		115 mm	JD-TH109357	55.09
	AT127251	All		Wear Ring		115 mm	JD-TH109356	17.88
BUCKET	AT127248	All		P-UB-10	80 mm	115 mm	JD-AT194335	409.95
	AT127248	All		Bushing	80 mm		JD-T108041	43.95
	AT127248	All		Wear Ring		115 mm	JD-TH109357	55.09
	AT127248	All		Wear Ring		115 mm	JD-TH109356	17.88
	AT182452	All		P-UB-10	80 mm	115 mm	JD-AT194335	409.95
	AT182452	All		Bushing	80 mm		JD-T108041	43.95
	AT182452	All		Wear Ring		115 mm	JD-TH109357	55.09
	AT182452	All		Wear Ring		115 mm	JD-TH109356	17.88
MODEL 670GLC								
ARM	4653859G			P-UB-10	140 mm	200 mm	JD-4438684	752.50
	4653859G			Bushing	140 mm		JD-0379806	140.59
BOOM (LH)	4653858G			P-UB-10	130 mm	190 mm	JD-4653041	442.08
	4653858G			Bushing	130 mm		JD-AT264250	100.07
BOOM (RH)	4653858G			P-UB-10	130 mm	190 mm	JD-4653041	442.08
	4653858G			Bushing	130 mm		JD-AT264250	100.07
BUCKET	4653860G			P-UB-10	130 mm	180 mm	JD-4652906	167.91
	4653860G			Bushing	130 mm		JD-AT264250	100.07
BUCKET (Mass Excavating)	4659269G			P-UB-10	130 mm	190 mm	JD-4653041	442.08
	4659269G			Bushing	130 mm		JD-AT264250	100.07
COUNTERWEIGHT	4723757			P-UB-10	85 mm	130 mm	JD-FXB00001834	286.80
	4723757			Bushing	85 mm		JD-FXB00001811	52.10
TRACK ADJUSTER							JD-SK100102	234.13
MODEL 690CR								
ANGLING	AU13861	All		P-V-8	1-1/2	3-1/2	JD-AR105432	85.88
ARM	RE21406	All		P-UB-1	3-1/4		JD-RE21401	140.55
	RE21406	All		N-N-14		5-1/2	JD-RE15907	199.15
BOOM	RE18949	-509184		P-V-1	2-3/4		JD-RE17342	102.06
	RE18949	-509184		N-N-14		5	JD-RE15905	163.31
	RE21394	509185-		P-UB-1	2-3/4		JD-RE21395	204.98
	RE21394	509185-		N-N-14		5	JD-RE15905	163.31
BUCKET	RE21400	All		P-UB-1	3-1/4		JD-RE21401	140.55
	RE21400	All		N-N-14		5-1/2	JD-RE14102	199.15
LIFT	AU13861	All		P-V-8	1-1/2	3-1/2	JD-AR105432	85.88
TILT	AU13847	All		P-V-8	1-1/2	3-1/2	JD-AR105432	85.88
MODEL 690E								
ARM	AH144677			P-UB-14	95 mm	130 mm	JD-AH144595	468.79
BOOM	AH140588			P-UB-14	85 mm	120 mm	JD-AH144594	561.54
	AH144671			P-UB-14	85 mm	120 mm	JD-AH144594	561.54
	AH144674			P-UB-14	85 mm	120 mm	JD-AH144594	561.54
BUCKET	AH140587			P-UB-14	75 mm	110 mm	JD-AH144593	524.26
	AH142409			P-UB-14	75 mm	110 mm	JD-AH144593	524.26
MODEL 690E LC								
ARM	AH140590	-544625		P-UB-14	95 mm	130 mm	JD-AH144595	468.79
	AH140590	-544625		Bushing	95 mm		JD-H146481	53.01
	AH144677	544626-		P-UB-14	95 mm	130 mm	JD-AH144595	468.79
	AH144677	544626-		Bushing	95 mm		JD-H146481	53.01
BOOM (LH)	AH140588	-544743		P-UB-14	85 mm	120 mm	JD-AH144594	561.54
	AH140588	-544743		Bushing	85 mm		JD-H146480	48.79
	AH144671	544744-		P-UB-14	85 mm	120 mm	JD-AH144594	561.54
	AH144671	544744-		Bushing	85 mm		JD-H146480	48.79
BOOM (RH)	AH140589	-544743		P-UB-14	85 mm	120 mm	JD-AH144594	561.54

LA - Long Arm LGP - Low Ground Pressure LT - Long Track MFWD - Mechanical Front Wheel Drive MP - Multi-Purpose
 IDM - Inside Dozer Mount ODM - Outside Dozer Mount SLF - Super Long Front STD - Straight Dozer WT - Wide Track

FORMERLY LISTED REPAIR PARTS ARE AVAILABLE ONLINE AT WWW.HERCULESUS.COM
 OR BY CONTACTING YOUR REGIONAL HERCULES SALES TEAM.

Replacement Kits For

JOHN DEERE®

Excavators								
APPLICATION	CYL #	SERIAL #	Misc	CODE	ROD	BORE	KIT #	List \$
MODEL 690E LC								
BOOM (RH)	AH140589	-544743		Bushing	85 mm		JD-H146480	48.79
	AH144674	544744-		P-UB-14	85 mm	120 mm	JD-AH144594	561.54
	AH144674	544744-		Bushing	85 mm		JD-H146480	48.79
BUCKET	AH142409	-538666		P-UB-14	75 mm	110 mm	JD-AH144593	524.26
	AH142409	538667-544273		P-UB-14	75 mm	110 mm	JD-AH144593	524.26
	AH142409	-538666		Bushing	75 mm		JD-H146479	38.12
	AH142409	538667-544273		Bushing	75 mm		JD-H146479	38.12
	AH144595	544274-544696		Bushing	75 mm		JD-H146479	38.12
	AH162295	544697-		P-UB-14	75 mm	110 mm	JD-AH144593	524.26
	AH162295	544274-544696		P-UB-14	75 mm	110 mm	JD-AH144593	524.26
	AH162295	544697-		Bushing	75 mm		JD-H146479	38.12
BUCKET (SLF)	AT159611	All		P-UB-10	65 mm	95 mm	JD-AT176737	293.97
	AT159611	All		Bushing	65 mm		JD-TH109372	30.52
	AT159611	All		Wear Ring		95 mm	JD-TH109378	51.37
	AT159611	All		Wear Ring		95 mm	JD-TH109377	14.85
MODEL 790E LC								
ARM	AT154865	HJ900101-		P-UB-14	100 mm	135 mm	JD-AT183658	293.97
	AT154865	-HJ900100		P-UB-14	100 mm	135 mm	JD-AT154868	279.82
	AT154865	HJ900101-		Bushing	100 mm		JD-AT131414	73.24
	AT154865	-HJ900100		Bushing	100 mm		JD-AT131414	73.24
	AT154865	HJ900101-		Wear Ring		135 mm	JD-AT154718	28.41
	AT154865	-HJ900100		Wear Ring		135 mm	JD-AT154718	28.41
	AT154865	-HJ900100		Wear Ring		135 mm	JD-TH110033	80.96
	AT154865	HJ900101-		Wear Ring		135 mm	JD-TH110033	80.96
ARM (SLF)	AT161589	All		P-UB-14	105 mm	145 mm	JD-AT176734	433.95
	AT161589	All		Bushing	105 mm		JD-AT161596	62.48
	AT161589	All		Wear Ring		145 mm	JD-AT161608	110.09
	AT161589	All		Wear Ring		145 mm	JD-AT161607	24.99
BOOM (LH)	AT154864	All		P-UB-14	90 mm	125 mm	JD-AT154867	319.88
	AT154864	All		Bushing	90 mm		JD-AT154779	47.06
	AT154864	All		Wear Ring		125 mm	JD-AT154700	74.57
	AT154864	All		Wear Ring		125 mm	JD-AT154735	20.65
BOOM (RH)	AT154864	All		P-UB-14	90 mm	125 mm	JD-AT154867	319.88
	AT154864	All		Bushing	90 mm		JD-AT154779	47.06
	AT154864	All		Wear Ring		125 mm	JD-AT154700	74.57
	AT154864	All		Wear Ring		125 mm	JD-AT154735	20.65
BUCKET	AT182459	All		P-UB-14	85 mm	125 mm	JD-AT181250	225.34
	AT182459	All		Bushing	85 mm		JD-AT154778	48.79
	AT182459	All		Wear Ring		125 mm	JD-AT154735	20.65
	AT182459	All		Wear Ring		125 mm	JD-AT154700	74.57
BUCKET (SLF)	AT159611	All		P-UB-10	65 mm	95 mm	JD-AT176737	293.97
	AT159611	All		Bushing	65 mm		JD-TH109372	30.52
	AT159611	All		Wear Ring		95 mm	JD-TH109378	51.37
	AT159611	All		Wear Ring		95 mm	JD-TH109377	14.85
MODEL 792D, 792D LC								
ARM	AT205924	All		P-UB-14	105 mm	150 mm	JD-TH111854	438.26
	AT205924	All		Wear Ring		150 mm	JD-TH111845	92.81
	AT205924	All		Wear Ring		150 mm	JD-TH111846	34.01
BOOM	AT205923	All		P-UB-14	95 mm	145 mm	JD-TH111625	412.65
	AT205923	All		Bushing	95 mm		JD-AT131420	62.35
	AT205923	All		Wear Ring		145 mm	JD-AT159585	26.47
	AT205923	All		Wear Ring		145 mm	JD-TH110062	88.57
BUCKET	AT205925	803513-		P-UB-14	95 mm	145 mm	JD-AT181792	254.55
	AT205925	-803512		P-UB-14	95 mm	145 mm	JD-TH111625	412.65
	AT205925	All		Bushing	95 mm		JD-AT131420	62.35

LA - Long Arm LGP - Low Ground Pressure LT - Long Track MFWD - Mechanical Front Wheel Drive MP - Multi-Purpose
 IDM - Inside Dozer Mount ODM - Outside Dozer Mount SLF - Super Long Front STD - Straight Dozer WT - Wide Track

JOHN DEERE®

Replacement Kits For

JOHN DEERE®

Excavators								
APPLICATION	CYL #	SERIAL #	Misc	CODE	ROD	BORE	KIT #	List \$
MODEL 792D, 792D LC								
BUCKET	AT205925	All		Wear Ring		145 mm	JD-AT159585	26.47
	AT205925	All		Wear Ring		145 mm	JD-TH110062	88.57
MODEL 892D, 892D LC								
ARM	AT131416	703550-		P-UB-14	110 mm	165 mm	JD-AT181799	366.27
	AT131416	-703549		P-UB-14	110 mm	165 mm	JD-TH111627	488.17
	AT131416	All		Bushing	110 mm		JD-AT131417	118.79
	AT131416	All		Wear Ring		165 mm	JD-TH111274	187.64
	AT131416	All		Wear Ring		165 mm	JD-TH111273	38.73
	TH111616	703550-		P-UB-14	110 mm	165 mm	JD-AT181799	366.27
	TH111616	-703549		P-UB-14	110 mm	165 mm	JD-TH111627	488.17
	TH111616	All		Bushing	110 mm		JD-AT131417	118.79
	TH111616	All		Wear Ring		165 mm	JD-TH111274	187.64
	TH111616	All		Wear Ring		165 mm	JD-TH111273	38.73
ARM (SLF)	AT130835	All		P-UB-14	105 mm	150 mm	JD-TH111854	438.26
	AT130835	All		Wear Ring		150 mm	JD-TH111845	92.81
	AT130835	All		Wear Ring		150 mm	JD-TH111846	34.01
BOOM (LH)	AT131413	603427-		P-UB-14	100 mm	145 mm	JD-AT181794	301.03
	AT131413	-603426		P-UB-14	100 mm	145 mm	JD-TH111626	416.05
	AT131413	All		Bushing	100 mm		JD-AT131414	73.24
	AT131413	All		Wear Ring		145 mm	JD-TH110063	32.92
	AT131413	All		Wear Ring		145 mm	JD-TH110062	88.57
BOOM (RH)	AT131413	503425-		P-UB-14	100 mm	145 mm	JD-AT181794	301.03
	AT131413	-503424		P-UB-14	100 mm	145 mm	JD-TH111626	416.05
	AT131413	All		Bushing	100 mm		JD-AT131414	73.24
	AT131413	All		Wear Ring		145 mm	JD-TH110063	32.92
	AT131413	All		Wear Ring		145 mm	JD-TH110062	88.57
BUCKET	AT182455	803513-		P-UB-14	95 mm	145 mm	JD-AT181792	254.55
	AT182455	-803512		P-UB-14	95 mm	145 mm	JD-TH111625	412.65
	AT182455	All		Bushing	95 mm		JD-AT131420	62.35
	AT182455	All		Wear Ring		145 mm	JD-TH110063	32.92
	AT182455	All		Wear Ring		145 mm	JD-TH110062	88.57
	AT182455	All		Wear Ring		145 mm	JD-TH110062	88.57
BUCKET (SLF)	AT86766	All		Wear Ring		100 mm	JD-TH111727	16.55
	AT86766	All		Wear Ring		100 mm	JD-TH111728	98.62
MODEL 892E, 892E LC								
ARM			892E LC	P-UB-14	110 mm	165 mm	JD-AT196472	471.26
	AT201181	-703549		P-UB-14	110 mm	165 mm	JD-AT201184	458.03
	AT201181	703550-		P-UB-14	110 mm	165 mm	JD-AT181799	366.27
	AT201181	All		Bushing	110 mm		JD-AT131417	118.79
	AT201181	All		Wear Ring		165 mm	JD-TH111274	187.64
	AT201181	All		Wear Ring		165 mm	JD-TH111273	38.73
	AT201181	All		Wear Ring		165 mm	JD-TH111273	38.73
BOOM (LH)			892E LC	P-UB-14	100 mm	145 mm	JD-AT196475	399.03
	AT201180	603427-		P-UB-14	100 mm	145 mm	JD-AT181794	301.03
	AT201180	-603426		P-UB-14	100 mm	145 mm	JD-TH111626	416.05
	AT201180	All		Bushing	100 mm		JD-AT131414	73.24
	AT201180	All		Wear Ring		145 mm	JD-TH110062	88.57
	AT201180	All		Wear Ring		145 mm	JD-TH110063	32.92
BOOM (RH)			892E LC	P-UB-14	100 mm	145 mm	JD-AT196475	399.03
	AT201180	503425-		P-UB-14	100 mm	145 mm	JD-AT181794	301.03
	AT201180	-503424		P-UB-14	100 mm	145 mm	JD-TH111626	416.05
	AT201180	All		Bushing	100 mm		JD-AT131414	73.24
	AT201180	All		Wear Ring		145 mm	JD-TH110063	32.92
	AT201180	All		Wear Ring		145 mm	JD-TH110062	88.57
BUCKET			892E LC	P-UB-14	95 mm	145 mm	JD-AT264430	524.05
		-803512	Incl Bushing & Wear Rings	P-UB-14	95 mm	145 mm	JD-AT196473	420.21

LA - Long Arm LGP - Low Ground Pressure LT - Long Track MFWD - Mechanical Front Wheel Drive MP - Multi-Purpose
 IDM - Inside Dozer Mount ODM - Outside Dozer Mount SLF - Super Long Front STD - Straight Dozer WT - Wide Track

FORMERLY LISTED REPAIR PARTS ARE AVAILABLE ONLINE AT WWW.HERCULESUS.COM
 OR BY CONTACTING YOUR REGIONAL HERCULES SALES TEAM.

Replacement Kits For

JOHN DEERE®

Excavators								
APPLICATION	CYL #	SERIAL #	Misc	CODE	ROD	BORE	KIT #	List \$
MODEL 892E, 892E LC								
BUCKET	AT182461	-803512		P-UB-14	95 mm	145 mm	JD-AT201185	443.51
	AT182461	803513-		P-UB-14	95 mm	145 mm	JD-AT181792	254.55
	AT182461	All		Bushing	95 mm		JD-AT131420	62.35
	AT182461	All		Wear Ring		145 mm	JD-TH110062	88.57
	AT182461	All		Wear Ring		145 mm	JD-TH110063	32.92
	AT201182	-803512		P-UB-14	95 mm	145 mm	JD-AT201185	443.51
	AT201182	803513-		P-UB-14	95 mm	145 mm	JD-AT181792	254.55
	AT201182	All		Bushing	95 mm		JD-AT131420	62.35
	AT201182	All		Wear Ring		145 mm	JD-TH110063	32.92
BUCKET (SLF)	AT168750	011000-		P-UB-10	65 mm	100 mm	JD-AT168764	259.77
	AT168750	011000-		Bushing	65 mm		JD-TH109372	30.52
	AT168750	011000-		Wear Ring		100 mm	JD-TH111728	98.62
	AT168750	011000-		Wear Ring		100 mm	JD-TH111727	16.55
MODEL 992D, 992D LC								
ARM	AT131955	All		P-UB-10	130 mm	190 mm	JD-AT132412	505.68
	AT131955	All		Wear Ring		190 mm	JD-AT132170	120.97
	AT131955	All		Wear Ring		190 mm	JD-AT132186	40.22
	AT132310			P-UB-10	130 mm	190 mm	JD-AT132412	505.68
BOOM	AT131954	All		P-UB-10	115 mm	170 mm	JD-AT132411	472.17
	AT131954	All		Bushing	115 mm		JD-AT132287	24.73
	AT131954	All		Wear Ring		170 mm	JD-AT132175	116.33
	AT131954	All		Wear Ring		170 mm	JD-AT132291	27.97
	AT132280	5222		P-UB-10	115 mm	170 mm	JD-AT132411	472.17
BUCKET 2.9M, 3.9M ARM	AT132280	5222		P-UB-10	115 mm	170 mm	JD-AT132411	472.17
	AT182457	All		P-UB-10	115 mm	170 mm	JD-AT132411	472.17
	AT182457	All		Bushing	115 mm		JD-AT132287	24.73
	AT182457	All		Wear Ring		170 mm	JD-AT132291	27.97
	AT182457	All		Wear Ring		170 mm	JD-AT132175	116.33
BUCKET 4.9M ARM	AT182455	All		P-UB-14	95 mm	145 mm	JD-AT181792	254.55
	AT182455	All		P-UB-14	95 mm	145 mm	JD-TH111625	412.65
	AT182455	All		Bushing	95 mm		JD-AT131420	62.35
	AT182455	All		Wear Ring		145 mm	JD-TH110063	32.92
	AT182455	All		Wear Ring		145 mm	JD-TH110062	88.57
MODEL 992E, 992E LC								
BUCKET 4.9M ARM	AT182461	803513-		P-UB-14	95 mm	145 mm	JD-AT181792	254.55
	AT182461	-803512		P-UB-14	95 mm	145 mm	JD-AT201185	443.51
	AT182461	All		Bushing	95 mm		JD-AT131420	62.35
	AT182461	All		Wear Ring		145 mm	JD-TH110062	88.57
	AT182461	All		Wear Ring		145 mm	JD-TH110063	32.92

Excavators - Compact

APPLICATION	CYL #	SERIAL #	Misc	CODE	ROD	BORE	KIT #	List \$
MODEL 17D								
ARM	4664347G	-221801		P-U-10	35 mm	60 mm	JD-4667617	82.23
	4664347G	-221801		Bushing	35 mm		JD-1153804	12.82
	FYD00005853G	221802-		P-U-10	35 mm	60 mm	JD-FYD00003882	52.83
	FYD00005853G	221802-		Bushing	35 mm		JD-FXB00004926	11.55
BLADE	4655101	-221801		P-U-10	35 mm	65 mm	JD-4667620	69.33
	FXB00004965	221802-		Bushing	35 mm		JD-FXB00004926	11.55
	FYD00005856	221802-		P-U-10	35 mm	65 mm	JD-FYD00003886	50.57
BOOM	4655097G	-221801		P-U-10	35 mm	60 mm	JD-4667615	77.61
	FXB00004923G	221802-		Bushing	35 mm		JD-FXB00004926	11.55
	FYD00005851G	221802-		P-U-10	35 mm	60 mm	JD-FYD00003878	40.95

LA - Long Arm LGP - Low Ground Pressure LT - Long Track MFWD - Mechanical Front Wheel Drive MP - Multi-Purpose
 IDM - Inside Dozer Mount ODM - Outside Dozer Mount SLF - Super Long Front STD - Straight Dozer WT - Wide Track

Replacement Kits For

JOHN DEERE®

Excavators - Compact								
APPLICATION	CYL #	SERIAL #	Misc	CODE	ROD	BORE	KIT #	List \$
MODEL 17D								
BUCKET	4655099G	-221801		P-U-10	30 mm	55 mm	JD-4667454	84.07
	FYD00005854G	221802-		P-U-10	30 mm	55 mm	JD-FYD00003884	58.44
	FYD00005854G	221802-		Bushing	30 mm		JD-FXB00004950	10.41
SPAN	4655102			P-U-10	30 mm	50 mm	JD-4667621	81.72
	4655102			Bushing	30 mm		JD-1157904	12.33
	FYD00005857			P-U-10	30 mm	50 mm	JD-FYD00003887	68.42
	FYD00005857			Bushing	30 mm		JD-FXB00004950	10.41
SWING	4655100			P-U-10	30 mm	60 mm	JD-4667619	83.32
	4655100			Bushing	30 mm		JD-1118311	9.67
MODEL 17G								
ARM	FYD00006509			P-U-10	30 mm	55 mm	JD-FYD00003884	58.44
	FYD00006509			Bushing	30 mm		JD-FXB00004950	10.41
BLADE	FYD00006512			P-U-10	35 mm	65 mm	JD-FYD00003886	50.57
	FYD00006512			Bushing	35 mm		JD-FXB00004926	11.55
BOOM	FYD00006508			P-U-10	35 mm	60 mm	JD-FYD00003878	40.95
	FYD00006508			Bushing	35 mm		JD-FXB00004926	11.55
BUCKET	FYD00006510			P-U-10	30 mm	55 mm	JD-FYD00003884	58.44
	FYD00006510			Bushing	30 mm		JD-FXB00004950	10.41
SPAN	FYD00005857			P-U-10	30 mm	50 mm	JD-FYD00003887	68.42
	FYD00005857			Bushing	30 mm		JD-FXB00004950	10.41
SWING	FYD00006511			P-U-10	30 mm	60 mm	JD-FYD00003885	80.01
	FYD00006511			Bushing	30 mm		JD-FXB00004950	10.41
THUMB	AH218285			I-U-1	25 mm		JD-AHC15628	24.83
	AH218285			N-N-10		50 mm	JD-AH167552	10.76
MODEL 26G								
ARM	FYD00006791			P-U-10	40 mm	65 mm	JD-4614058	198.82
	FYD00006791			Bushing	40 mm		JD-1153502	13.12
BLADE	FYD00006794			P-U-10	45 mm	75 mm	JD-4704455	100.59
	FYD00006794			Bushing	45 mm		JD-0891518	24.21
BOOM (Cab)	FYD00006790			P-U-10	45 mm	75 mm	JD-4634034	154.73
	FYD00006790			Bushing	45 mm		JD-0891518	24.21
BOOM (Canopy)	FYD00006789			P-U-10	45 mm	75 mm	JD-4634034	154.73
	FYD00006789			Bushing	45 mm		JD-0891518	24.21
BUCKET	4643503G			P-U-10	35 mm	55 mm	JD-4652138	106.00
	4643503G			Bushing	35 mm		JD-1153804	12.82
SWING	FYD00006793			P-U-10	40 mm	75 mm	JD-4652139	104.30
	FYD00006793			Bushing	40 mm		JD-1153502	13.12
THUMB	AH216639			I-U-1	25 mm		JD-AHC15628	24.83
	AH216639			N-N-10		50 mm	JD-AH167552	10.76
	AH216639			Unitized Piston		50 mm	JD-AH138200	167.98
MODEL 27 ZTS								
ARM				P-U-10	40 mm	70 mm	JD-TH0744010	82.89
BLADE				P-U-10	45 mm	85 mm	JD-TH0729006	124.17
BUCKET				P-U-10	35 mm	60 mm	JD-0744105	120.32
BUCKET CLAMP	AH216639			P-U-10	1	2	JD-AT191403	176.53
MODEL 27C ZTS								
ARM	4472578			P-U-10	40 mm	70 mm	JD-TH0744010	82.89
BLADE	4472581			P-U-10	45 mm	85 mm	JD-TH0729006	124.17
BOOM	4472577			P-U-10	40 mm	75 mm	JD-TH0743805	134.49

LA - Long Arm LGP - Low Ground Pressure LT - Long Track MFWD - Mechanical Front Wheel Drive MP - Multi-Purpose
 IDM - Inside Dozer Mount ODM - Outside Dozer Mount SLF - Super Long Front STD - Straight Dozer WT - Wide Track

FORMERLY LISTED REPAIR PARTS ARE AVAILABLE ONLINE AT WWW.HERCULESUS.COM
 OR BY CONTACTING YOUR REGIONAL HERCULES SALES TEAM.

JOHN DEERE®

Replacement Kits For

JOHN DEERE®

Excavators - Compact								
APPLICATION	CYL #	SERIAL #	Misc	CODE	ROD	BORE	KIT #	List \$
MODEL 27C ZTS								
BUCKET	4472579			P-U-10	35 mm	60 mm	JD-0744105	120.32
BUCKET CLAMP	AH216639			P-U-10	1	2	JD-AT191403	176.53
SWING	4472580			P-U-10	40 mm	75 mm	JD-0847204	133.35
MODEL 27D								
ARM	4643502G			P-U-10	40 mm	65 mm	JD-4652137	91.39
BLADE	0988301	-224003		P-U-14	45 mm	80 mm	JD-4652458	75.76
	4655418			P-U-10	45 mm	80 mm	JD-4656428	100.36
	4655418	224004-		P-U-10	45 mm	80 mm	JD-4656428	100.36
BOOM	4643500G			P-U-10	45 mm	75 mm	JD-4634034	154.73
	4643501G			P-U-10	45 mm	75 mm	JD-4634034	154.73
BUCKET	4643503G			P-U-10	35 mm	55 mm	JD-4652138	106.00
BUCKET CLAMP	AH216639			N-N-10		50 mm	JD-AH167552	10.76
	AH216639			I-U-10	25 mm	50 mm	JD-AH158827	55.30
SWING	4643504			P-U-10	40 mm	75 mm	JD-4652139	104.30
MODEL 30G								
ARM	FYD00000367			P-U-10	40 mm	70 mm	JD-4614062	90.72
	FYD00000367			Bushing	40 mm		JD-1153502	13.12
BLADE	4719643			P-U-10	45 mm	85 mm	JD-4614059	200.18
	4719643			Bushing	45 mm		JD-0891518	24.21
BOOM (Cab)	FYD00000366			P-U-10	45 mm	80 mm	JD-4614056	66.79
	FYD00000366			Bushing	45 mm		JD-0891518	24.21
BOOM (Canopy)	FYD00000365			P-U-10	45 mm	80 mm	JD-4614056	66.79
	FYD00000365			Bushing	45 mm		JD-0891518	24.21
BOOM SWING	FYD00000369			P-U-10	45 mm	85 mm	JD-4614059	200.18
	FYD00000369			Bushing	45 mm		JD-0891518	24.21
BUCKET	FYD00000368			P-U-10	40 mm	65 mm	JD-FYD00005421	75.69
	FYD00000368			Bushing	40 mm		JD-0797604	15.40
BUCKET CLAMP	AH216639			I-U-1	25 mm		JD-AHC15628	24.83
	AH216639			N-N-10		50 mm	JD-AH167552	10.76
	AH216639			Unitized Piston		50 mm	JD-AH138200	167.98
MODEL 35 ZTS								
ARM	9184958			P-U-10	45 mm	75 mm	JD-0744408	278.13
BLADE LIFT	9184976			P-U-10	50 mm	95 mm	JD-0745308	186.50
BOOM	9184960			P-U-10	50 mm	80 mm	JD-0656714	198.92
BUCKET	9178101			P-U-10	40 mm	65 mm	JD-0744707	209.70
BUCKET CLAMP	AH216639			P-U-10	1	2	JD-AT191403	176.53
SWING	9179219			P-U-10	45 mm	85 mm	JD-0744808	182.20
MODEL 35C ZTS								
ARM	4472590			P-U-10	45 mm	75 mm	JD-0849304	147.01
BLADE LIFT	4472591			P-U-10	50 mm	95 mm	JD-0745308	186.50
BOOM	4467672			P-U-10	45 mm	80 mm	JD-0850309	154.76
BUCKET	4472585			P-U-10	40 mm	60 mm	JD-0849503	123.38
BUCKET CLAMP	AH216639			P-U-10	1	2	JD-AT191403	176.53
SWING	4472586			P-U-10	45 mm	85 mm	JD-TH0729006	124.17
MODEL 35D								
ARM	4632807G			P-U-10	45 mm	75 mm	JD-4634034	154.73
BLADE	4617784			P-U-14	45 mm	95 mm	JD-4622066	226.55
BOOM	4632806G			P-U-10	50 mm	85 mm	JD-4634033	168.68
BUCKET	4608466G			P-U-10	40 mm	65 mm	JD-4614058	198.82
SWING	4608470			P-U-10	45 mm	85 mm	JD-4614059	200.18
MODEL 35G								
ARM	FYD00000372G			P-U-10	45 mm	75 mm	JD-4704455	100.59
	FYD00000372G			Bushing	45 mm		JD-0891518	24.21
BLADE	4617784			P-U-14	45 mm	95 mm	JD-4622066	226.55
	4617784			Bushing	45 mm		JD-0920515	18.00

LA - Long Arm LGP - Low Ground Pressure LT - Long Track MFWD - Mechanical Front Wheel Drive MP - Multi-Purpose
 IDM - Inside Dozer Mount ODM - Outside Dozer Mount SLF - Super Long Front STD - Straight Dozer WT - Wide Track

Replacement Kits For

JOHN DEERE®

Excavators - Compact								
APPLICATION	CYL #	SERIAL #	Misc	CODE	ROD	BORE	KIT #	List \$
MODEL 35G								
BLADE	4719644			P-U-10	50 mm	95 mm	JD-FYD00005420	128.52
	4719644			Bushing	50 mm		JD-0948703	18.21
BLADE (Angle)	4709308			P-U-10	35 mm	60 mm	JD-4667617	82.23
	4709308			Bushing	35 mm		JD-1153804	12.82
BOOM (Cab)	FYD00000371G			P-U-10	50 mm	85 mm	JD-4634033	168.68
	FYD00000371G			Bushing	50 mm		JD-0948703	18.21
BOOM (Canopy)	FYD00000370G			P-U-10	50 mm	85 mm	JD-4634033	168.68
	FYD00000370G			Bushing	50 mm		JD-0948703	18.21
BOOM (Swing)	FYD00000369			P-U-10	45 mm	85 mm	JD-4614059	200.18
	FYD00000369			Bushing	45 mm		JD-0891518	24.21
BUCKET	FYD00000368G			P-U-10	40 mm	65 mm	JD-FYD00005421	75.69
	FYD00000368G			Bushing	40 mm		JD-0797604	15.40
MODEL 50 ZTS								
ARM	4468846			P-U-10	50 mm	80 mm	JD-0843613	173.54
	9171446, AT251618			P-U-10	50 mm	80 mm	JD-0656714	198.92
BLADE TILT	AT191390			P-V-10	1-1/2	3	JD-AT191391	140.67
BOOM	9171448			P-U-10	55 mm	95 mm	JD-0735309	203.71
BUCKET	9171447			P-U-10	45 mm	75 mm	JD-0735609	247.13
BUCKET CLAMP	AH216808			P-UB-10	1-1/4	2	JD-AT260416	208.66
SWING	4463353			P-U-10	50 mm	100 mm	JD-0656604	348.42
MODEL 50C ZTS								
ARM	4468846			P-U-10	50 mm	80 mm	JD-0843613	173.54
BLADE LIFT	4468880			P-U-10	55 mm	100 mm	JD-0843907	148.92
BLADE TILT	AT191390			P-V-10	1-1/2	3	JD-AT191391	140.67
BOOM				P-U-10	55 mm	95 mm	JD-0844807	185.74
BUCKET	4468847			P-U-10	45 mm	75 mm	JD-0844705	109.35
BUCKET CLAMP	AH216808			P-UB-10	1-1/4	2	JD-AT260416	208.66
SWING	4463353			P-U-10	50 mm	100 mm	JD-0843808	120.36
MODEL 50D								
ARM	4632813G			P-U-10	50 mm	80 mm	JD-4634036	158.14
	4632813G	- 275292		P-U-10	50 mm	80 mm	JD-4634036	158.14
BLADE	4618628	- 275344		P-U-14	50 mm	105 mm	JD-4622067	198.73
	4618628			P-U-14	50 mm	105 mm	JD-4622067	198.73
	4718115	275344 - 275860		P-U-10	50 mm	105 mm	JD-FYD00000075	91.35
BOOM				P-U-10	55 mm	95 mm	JD-4634038	78.87
				P-UB-10	55 mm	95 mm	JD-FYD00000071	105.71
		275297 -		P-UB-10	55 mm	95 mm	JD-FYD00000071	105.71
	4655763G			P-U-10	55 mm	95 mm	JD-4634038	78.87
BOOM SWING	4679054	- 275356		P-U-14	50 mm	90 mm	JD-4705345	99.52
	4705267	- 275356		P-U-14	50 mm	90 mm	JD-4705345	99.52
BUCKET	4628947G	- 275287		P-U-10	45 mm	75 mm	JD-4614069	130.31
	4628947G			P-U-10	45 mm	75 mm	JD-4614069	130.31
	4718113G	275288 -		P-U-10	45 mm	75 mm	JD-FYD00000073	114.25
BUCKET CLAMP				P-UB-10	1-1/4	2	JD-AT260416	208.66
	AH216808			P-UB-10	1-1/4	2	JD-AT260416	208.66
SWING	4679054	- 275356		P-U-14	50 mm	90 mm	JD-4705345	99.52
	4705267	- 275356		P-U-14	50 mm	90 mm	JD-4705345	99.52
MODEL 50G								
ARM	4718112G			P-UB-10	50 mm	80 mm	JD-FYD00000072	132.93

LA - Long Arm LGP - Low Ground Pressure LT - Long Track MFWD - Mechanical Front Wheel Drive MP - Multi-Purpose
 IDM - Inside Dozer Mount ODM - Outside Dozer Mount SLF - Super Long Front STD - Straight Dozer WT - Wide Track

FORMERLY LISTED REPAIR PARTS ARE AVAILABLE ONLINE AT WWW.HERCULESUS.COM
 OR BY CONTACTING YOUR REGIONAL HERCULES SALES TEAM.

JOHN DEERE®

Replacement Kits For

JOHN DEERE®

Excavators - Compact								
APPLICATION	CYL #	SERIAL #	Misc	CODE	ROD	BORE	KIT #	List \$
MODEL 50G								
BLADE (Angle)	4695625			P-U-10	40 mm	65 mm	JD-4614058	198.82
	4695625			Bushing	40 mm		JD-1153502	13.12
BLADE (Lift)	FYD00008635			P-U-10	50 mm	105 mm	JD-FYD00000075	91.35
	FYD00008635			Bushing	50 mm		JD-FXB00003979	21.84
BOOM	4720214G			P-UB-10	55 mm	95 mm	JD-FYD00000071	105.71
	4720214G			Bushing	55 mm		JD-FXB00001022	25.79
BOOM (Swing)	4720215			P-U-10	50 mm	90 mm	JD-FYD00000074	110.94
BUCKET	4718113G			P-U-10	45 mm	75 mm	JD-FYD00000073	114.25
	4718113G			Bushing	45 mm		JD-FXB00000616	23.62
BUCKET (Clamp)	AH216808			I-U-10	32 mm	50 mm	JD-AH215765	68.46
	AH216808			N-N-10		50 mm	JD-AH167552	10.76
MODEL 60D								
ARM		280348-		P-UB-10	55 mm	90 mm	JD-FYD00000086	529.68
		280348-		Bushing	55 mm		JD-FYD00000040	25.79
		4671379	-280347	P-U-10	55 mm	90 mm	JD-4687560	246.35
		4671379	-280347	P-U-10	55 mm	90 mm	JD-4687560-EX	259.67
		4671379	-280347	Bushing	55 mm		JD-1187203	19.28
		4671379	-280347	Wear Ring		90 mm	JD-1187206	9.71
BLADE	4679703			P-U-14	70 mm	120 mm	JD-4687562	356.45
	4679703			Bushing	70 mm		JD-4633389	31.69
BLADE ANGLE	FYD00002783			P-U-10	40 mm	70 mm	JD-4614062	90.72
	FYD00002783			Bushing	40 mm		JD-1153502	13.12
BOOM		280348-		P-UB-10	60 mm	110 mm	JD-FYD00000085	562.43
		280348-		Bushing	60 mm		JD-FYD00000021	26.22
		4671378G	-280347	P-U-10	60 mm	110 mm	JD-4687559	285.54
		4671378G	-280347	P-U-10	60 mm	110 mm	JD-4687559-EX	320.64
		4671378G	-280347	Bushing	60 mm		JD-0994204	26.22
		4671378G	-280347	Wear Ring		110 mm	JD-1119106	10.57
BOOM SWING	4679702			P-U-10	55 mm	95 mm	JD-4687561	215.00
	4679702			P-U-10	55 mm	95 mm	JD-4687561-EX	262.83
	4679702			Bushing	55 mm		JD-0894204	19.28
	4679702			Wear Ring		95 mm	JD-1183502	9.71
BUCKET	4671380G	-280347		P-U-10	50 mm	80 mm	JD-4652380	140.11
	4671380G	-280347		P-U-10	50 mm	80 mm	JD-4652380-EX	178.55
	4671380G	-280347		Bushing	50 mm		JD-0854104	18.21
	4671380G	-280347		Wear Ring		80 mm	JD-1187301	9.71
	4713135	280348-		P-UB-10	50 mm	80 mm	JD-FYD00000087	486.69
	4713135	280348-		Bushing	50 mm		JD-FYD00000053	21.84
BUCKET CLAMP	AH216808			I-U-10	32 mm	50 mm	JD-AH215765	68.46
MODEL 60G								
ARM	4713134G			P-UB-10	55 mm	90 mm	JD-FYD00000086	529.68
	4713134G			Bushing	55 mm		JD-FYD00000040	25.79
BLADE	FYD00001297			P-UB-14	70 mm	120 mm	JD-FYD00003245	174.84
	FYD00001297			Bushing	70 mm		JD-FXB00004761	41.49

LA - Long Arm LGP - Low Ground Pressure LT - Long Track MFWD - Mechanical Front Wheel Drive MP - Multi-Purpose
 IDM - Inside Dozer Mount ODM - Outside Dozer Mount SLF - Super Long Front STD - Straight Dozer WT - Wide Track

Replacement Kits For

JOHN DEERE®

JOHN DEERE®

Excavators - Compact								
APPLICATION	CYL #	SERIAL #	Misc	CODE	ROD	BORE	KIT #	List \$
MODEL 60G								
BLADE (Angle)	FYD00007470	285696-		P-U-14	40 mm	70 mm	JD-FYD00009136	64.51
	FYD00007470	285000-285695		P-U-10	40 mm	70 mm	JD-4614062	90.72
	FYD00007470			Bushing	40 mm		JD-FXB00010512	13.12
	FYD00007470	285000-285695		Bushing	40 mm		JD-1153502	13.12
	FYD00007470;F XB00002158	285000-285695		Bushing	40 mm		JD-1153502	13.12
BOOM	FYD00001247G			P-UB-10	60 mm	110 mm	JD-FYD00000085	562.43
	FYD00001247G			Bushing	60 mm		JD-FYD00000021	26.22
BOOM (Swing)	FYD00001296			P-UB-10	55 mm	95 mm	JD-FYD00003234	157.61
	FYD00001296			Bushing	55 mm		JD-FYD00000040	25.79
BUCKET	FYD00001161G			P-UB-10	50 mm	80 mm	JD-FYD00000087	486.69
	FYD00001161G			Bushing	50 mm		JD-FYD00000053	21.84
BUCKET (Clamp)	AH216808			I-U-10	32 mm	50 mm	JD-AH215765	68.46
	AH216808			N-N-10		50 mm	JD-AH167552	10.76
MODEL 75C								
ARM	9197150			P-UB-10	60 mm	95 mm	JD-4464985	169.87
BOOM	9211074J			P-UB-10	65 mm	115 mm	JD-4464984	213.14
BUCKET	9197151			P-UB-10	55 mm	85 mm	JD-4464986	162.55
MODEL 75D								
ARM	9197150G			P-UB-10	60 mm	95 mm	JD-4464985	169.87
	9197150G			P-UB-10	60 mm	95 mm	JD-4464985-EX	236.64
	9197150G			Bushing	60 mm		JD-0826907	26.22
	9197150G			Wear Ring		95 mm	JD-H158170	9.71
BLADE	9246135			P-U-10	70 mm	120 mm	JD-4632462	366.96
	9246135			Bushing	70 mm		JD-4633389	31.69
BOOM	9197149G			P-UB-10	65 mm	115 mm	JD-4663491	354.60
	9197149G			P-UB-10	65 mm	115 mm	JD-4663491-EX	389.70
	9197149G			Bushing	65 mm		JD-AT264389	30.52
	9197149G			Wear Ring		115 mm	JD-H163432	15.16
BUCKET	9197151G			P-UB-10	55 mm	85 mm	JD-4464986	162.55
	9197151G			P-UB-10	55 mm	85 mm	JD-4464986-EX	268.53
	9197151G			Bushing	55 mm		JD-TH0827007	19.28
	9197151G			Wear Ring		85 mm	JD-0891615	40.04
MODEL 75G								
ARM	FYD00002217G			P-UB-10	60 mm	95 mm	JD-FYD00006230	129.39
	FYD00002217G			Bushing	60 mm		JD-1226705	26.22
BLADE	FYD00009289			P-U-10	70 mm	120 mm	JD-4632462	366.96
	FYD00009289			Bushing	70 mm		JD-4633389	31.69
BOOM	FYD00002216			P-UB-10	65 mm	115 mm	JD-FYD00006229	329.86
BUCKET	4718798G			P-UB-10	55 mm	85 mm	JD-FYD00000078	104.98
	4718798G			Bushing	55 mm		JD-FXB00001022	25.79
THUMB	AHC19379			P-UB-10	45 mm	70 mm	JD-SK100213	80.88
	AHC19379			Unitized Piston		70 mm	JD-AH165962	309.46
MODEL 80C								
ARM	9163825			P-UB-10	60 mm	95 mm	JD-4415584	203.58
	9197150			P-UB-10	60 mm	95 mm	JD-4464985	169.87
BLADE	9201173			P-UB-10	70 mm	120 mm	JD-4465736	189.64

LA - Long Arm LGP - Low Ground Pressure LT - Long Track MFWD - Mechanical Front Wheel Drive MP - Multi-Purpose
 IDM - Inside Dozer Mount ODM - Outside Dozer Mount SLF - Super Long Front STD - Straight Dozer WT - Wide Track

FORMERLY LISTED REPAIR PARTS ARE AVAILABLE ONLINE AT WWW.HERCULESUS.COM
 OR BY CONTACTING YOUR REGIONAL HERCULES SALES TEAM.

Replacement Kits For

JOHN DEERE®

Excavators - Compact								
APPLICATION	CYL #	SERIAL #	Misc	CODE	ROD	BORE	KIT #	List \$
MODEL 80C								
BOOM	9197149			P-UB-10	65 mm	115 mm	JD-4464984	213.14
BUCKET	9197151			P-UB-10	55 mm	85 mm	JD-4464986	162.55
Forestry - Feller Bunchers								
APPLICATION	CYL #	SERIAL #	Misc	CODE	ROD	BORE	KIT #	List \$
MODEL 743,743A Tree Harvesters								
AXLE STABILIZER		All		P-U-5	2	4-1/2	JD-AR105515	150.85
DOZER LIFT		All		P-V-8	2	5	JD-RE18743	87.64
		Field Replacement		P-V-1	2		JD-RE30817	52.11
		Field Replacement		N-N-14		5	JD-RE15905	163.31
FEED ROLL		All		P-V-8	1-1/4	2-1/2	JD-AR105453	57.56
GRAPPLE		All		P-U-10	1-3/4	4	JD-AT55695	43.98
LOG ACCUMULATOR		All		P-V-8	1-3/4	3	JD-RE18751	59.07
MAIN LIFT		All		P-V-8	3-1/4	6-1/4	JD-RE18762	222.64
SECONDARY LIFT		All		P-V-8	2-1/2	4-1/2	JD-RE18760	105.61
SHEAR		All		P-U-12	2-1/2	6-1/2	JD-AR105280	232.73
STEERING		All		I-U-10	4-1/4	4.40	JD-RE19224	77.34
TILT		All		P-V-8	2-1/4	4-1/2	JD-AR105355	135.45
Forestry - Swing Machines								
APPLICATION	CYL #	SERIAL #	Misc	CODE	ROD	BORE	KIT #	List \$
MODEL 2154D								
Arm	9312271G	D21001-D211156		P-UB-10	95 mm	135 mm	JD-FYA00001400	215.36
	9312271G	D21001-D211156		Bushing	95 mm		JD-T108050	53.01
	9312271G	D21001-D211156	2 per application	Wear Ring		135 mm	JD-H227905	11.10
	9312271G	D21001-D211156	2 per application	Wear Ring		135 mm	JD-H178696	69.11
Heel	AH207408	D21001-D211156		P-UB-10	80 mm	115 mm	JD-AH173451	275.71
Log Loader - Arm	4641545	D21001-D211156		P-UB-10	100 mm	145 mm	JD-4662880	406.55
	4641545	D21001-D211156		Bushing	100 mm		JD-0836104	72.65
	4641545	D21001-D211156	2 per application	Wear Ring		145mm	JD-0373413	118.89
	4641545	D21001-D211156	2 per application	Wear Ring		145mm	JD-0962008	28.38
Log Loader - Boom LH	4641544	D21001-D211156		P-UB-10	95 mm	135 mm	JD-FYA00001399	412.57
	4641544	D21001-D211156		Bushing	95 mm		JD-T108050	53.01
	4641544	D21001-D211156	2 per application	Wear Ring		135 mm	JD-H227905	11.10
	4641544	D21001-D211156	2 per application	Wear Ring		135 mm	JD-H178696	69.11
Log Loader - Boom RH	4641543	D21001-D211156		P-UB-10	95 mm	135 mm	JD-FYA00001399	412.57
	4641543	D21001-D211156		Bushing	95 mm		JD-T108050	53.01
	4641543	D21001-D211156	2 per application	Wear Ring		135 mm	JD-H178696	69.11
	4641543	D21001-D211156	2 per application	Wear Ring		135 mm	JD-H227905	11.10
Processor - Boom LH	9286759	D21001-D211156		P-UB-10	85 mm	120 mm	JD-AH225136	283.99
Processor - Boom RH	9286758	D21001-D211156		P-UB-10	85 mm	120 mm	JD-AH225136	283.99
Processor - Bucket	9312272G	D21001-D211156		P-UB-10	80 mm	115 mm	JD-AH225137	164.69
Road Builder - Boom LH	9286759	D21001-D211156		P-UB-10	85 mm	120 mm	JD-AH225136	283.99
Road Builder - Boom RH	9286758	D21001-D211156		P-UB-10	85 mm	120 mm	JD-AH225136	283.99
Road Builder - Bucket	9312272G	D21001-D211156		P-UB-10	80 mm	115 mm	JD-AH225137	164.69
Tilt	AH207408	D21001-D211156		P-UB-10	80 mm	115 mm	JD-AH173451	275.71
Forestry - Track Feller Bunchers								
APPLICATION	CYL #	SERIAL #	Misc	CODE	ROD	BORE	KIT #	List \$
MODEL 493D								
ARM	TH109346	All		P-UB-10	80 mm	115 mm	JD-TH109366	225.50
BOOM	TH109307	All		P-UB-10	75 mm	105 mm	JD-TH109339	197.05
BUCKET	TH109368	All		P-UB-10	65 mm	95 mm	JD-TH109390	204.53
MODEL 653E								
ARM	AH142919			P-UB-14	85 mm	120 mm	JD-AH144594	561.54
BOOM	AH142577			P-UB-14	85 mm	120 mm	JD-AH144594	561.54

LA - Long Arm LGP - Low Ground Pressure LT - Long Track MFWD - Mechanical Front Wheel Drive MP - Multi-Purpose
 IDM - Inside Dozer Mount ODM - Outside Dozer Mount SLF - Super Long Front STD - Straight Dozer WT - Wide Track

NORTH AMERICA
 PHONE 1-800-777-5617
 FAX 1-800-759-6391

SALES OFFICE HOURS
 8 A.M. TO 8:00 P.M. EASTERN TIME
 www.HerculesUS.com

WORLDWIDE
 PHONE 1-727-796-1300
 FAX 1-727-797-8849

HERCULES
 SEALING PRODUCTS

Replacement Kits For

JOHN DEERE®

JOHN DEERE®

Forestry - Track Feller Bunchers								
APPLICATION	CYL #	SERIAL #	Misc	CODE	ROD	BORE	KIT #	List \$
MODEL 653E								
HEAD TILT	AH144660			P-UB-14	75 mm	110 mm	JD-AH144593	524.26
MODEL 693B								
BOOM		-501444		P-V-8	2-3/4	5	JD-AR105309	138.24
		501445-		P-V-1	2-3/4		JD-RE17342	102.06
		501445-		N-N-14		5	JD-RE15905	163.31
		RE21394	501445-	P-UB-1	2-3/4		JD-RE21395	204.98
CROWD		501445-		N-N-14		5	JD-RE15905	163.31
		-501444		P-V-8	3-1/4	5-1/2	JD-AR105313	141.98
		501445-		P-V-1	3-1/4		JD-RE15906	72.63
	501445-		N-N-14		5-1/2	JD-RE15907	199.15	
MULTI-STEM		All		P-U-10	1-3/4	4	JD-AT55695	43.98
SHEAR		All		P-U-12	2-1/2	6-1/2	JD-AR105280	232.73
SHEAR TILT		All		P-V-8	2-1/4	4-1/2	JD-AR105355	135.45
TILT		-501444		P-V-8	3-1/4	5-1/2	JD-AR105312	145.97
		501445-		P-V-1	3-1/4		JD-RE15906	72.63
		501445-		N-N-14		5-1/2	JD-RE14102	199.15
		RE21400	501307-	P-UB-1	3-1/4		JD-RE21401	140.55
		RE21400	501307-	N-N-14		5-1/2	JD-RE14102	199.15
MODEL 693C								
BOOM		-509184		P-V-1	2-3/4		JD-RE17342	102.06
		509185-		P-UB-1	2-3/4		JD-RE21395	204.98
		-509184		N-N-14		5	JD-RE15905	163.31
		509185-		N-N-14		5	JD-RE15905	163.31
HEAD TILT		-509184		P-V-1	3-1/4		JD-RE15906	72.63
		509185-		P-UB-1	3-1/4		JD-RE21401	140.55
		509185-		N-N-14		5-1/2	JD-RE14102	199.15
		-509184		N-N-14		5-1/2	JD-RE14102	199.15
MODEL 693D								
ARM	AT112705	All		P-UB-10	85 mm	125 mm	JD-AT114822	250.04
	AT112705	All		Bushing	85 mm		JD-T108019	48.79
	AT112705	All		Wear Ring		125 mm	JD-T108024	19.39
	AT112705	All		Wear Ring		125 mm	JD-TH104949	66.65
BOOM	AT112705	All		P-UB-10	85 mm	125 mm	JD-AT114822	250.04
	AT112705	All		Bushing	85 mm		JD-T108019	48.79
	AT112705	All		Wear Ring		125 mm	JD-TH104949	66.65
	AT112705	All		Wear Ring		125 mm	JD-T108024	19.39
BUCKET	AT114838	All		P-UB-10	80 mm	120 mm	JD-AT114836	248.15
	AT182451	All		P-UB-10	80 mm	120 mm	JD-AT114836	248.15
	AT182451	All		Bushing	80 mm		JD-T108041	43.95
	AT182451	All		Wear Ring		120 mm	JD-TH104923	63.96
	AT182451	All		Wear Ring		120 mm	JD-T108046	16.33
MODEL 753J								
HOIST	AT371961			P-UB-12	3-1/2		JD-AT364597	262.43
	AT371961			N-N-14		6	JD-AT348039	156.16
STICK	AH224225			P-UB-10	95 mm	130 mm	JD-AH148453	563.99
TILT	AH229374			P-UB-10	95 mm	130 mm	JD-AH148453	563.99
WRIST	AHC10439			P-UB-1	50 mm		JD-AH210484	66.46
	AHC10439			N-N-14		100 mm	JD-AH212101	129.27
MODEL 793D								
ARM	AT131425	All		P-UB-14	90 mm	135 mm	JD-TH110035	309.24
	AT131425	All		Bushing	90 mm		JD-AT131422	60.09
	AT131425	All		Wear Ring		135 mm	JD-TH110033	80.96
	AT131425	All		Wear Ring		135 mm	JD-TH110034	22.50
BOOM	AT131425	All		P-UB-14	90 mm	135 mm	JD-TH110035	309.24
	AT131425	All		Bushing	90 mm		JD-AT131422	60.09

LA - Long Arm LGP - Low Ground Pressure LT - Long Track MFWD - Mechanical Front Wheel Drive MP - Multi-Purpose
 IDM - Inside Dozer Mount ODM - Outside Dozer Mount SLF - Super Long Front STD - Straight Dozer WT - Wide Track

FORMERLY LISTED REPAIR PARTS ARE AVAILABLE ONLINE AT WWW.HERCULESUS.COM
 OR BY CONTACTING YOUR REGIONAL HERCULES SALES TEAM.

Replacement Kits For

JOHN DEERE®

Forestry - Track Feller Bunchers

APPLICATION	CYL #	SERIAL #	Misc	CODE	ROD	BORE	KIT #	List \$
MODEL 793D								
BOOM	AT131425	All		Wear Ring		135 mm	JD-TH110033	80.96
	AT131425	All		Wear Ring		135 mm	JD-TH110034	22.50
BUCKET	AT131430	All		P-UB-14	90 mm	135 mm	JD-TH110035	309.24
	AT131430	All		Bushing	90 mm		JD-AT131422	60.09
	AT131430	All		Wear Ring		135 mm	JD-TH110033	80.96
	AT131430	All		Wear Ring		135 mm	JD-TH110034	22.50
MODEL 803M								
ARM	AHC14771		6.71m reach	P-UB-10	95 mm	130 mm	JD-AH148453	563.99
	AHC14776		6.10m reach	P-UB-10	95 mm	130 mm	JD-AH148453	563.99
BOOM	AHC14772	-288926	6.10m reach	P-UB-10	85 mm	120 mm	JD-AH173457	469.18
	AHC14772		6.71m reach	P-UB-10	85 mm	120 mm	JD-AH173457	469.18
	AHC14773	288927-	6.10m reach	P-UB-10	95 mm	130 mm	JD-AH148453	563.99
ENCLOSURE	AH211051			I,P-UB-1	45 mm		JD-AHC11572	135.92
	AH211051			N-N-10		90 mm	JD-AHC22108	80.61
TILT	AHC14779	-341728	6.10m reach, 6.71m reach	P-UB-10	95 mm	130 mm	JD-AH148453	563.99
	AHC20575	-341728	6.10m reach, 6.71m reach	P-UB-10	95 mm	130 mm	JD-AH148453	563.99
	AHC20575	341729-	6.10m reach, 6.71m reach	P-UB-10	95 mm	130 mm	JD-AH148453	563.99
WRIST	AHC10440			P-UB-1	50 mm		JD-AHC16954	108.98
	AHC10440			N-N-10,14		100 mm	JD-AHC19978	112.43
MODEL 853								
				P-UB-14	85 mm	120 mm	JD-AH144594	561.54
				P-UB-14	75 mm	110 mm	JD-AH144593	524.26
MODEL 853M								
ARM	AHC14771		6.71m reach	P-UB-10	95 mm	130 mm	JD-AH148453	563.99
ARM (POWER BOOM)	AHC14775		5.18m reach	P-UB-10	95 mm	135 mm	JD-AH173444	357.29
	AHC14777		6.10m reach	P-UB-10	95 mm	135 mm	JD-AH173444	357.29
BOOM	AHC14772		6.71m reach	P-UB-10	85 mm	120 mm	JD-AH173457	469.18
BOOM (POWER BOOM)	AHC14773	-288926	6.71m reach	P-UB-10	95 mm	130 mm	JD-AH148453	563.99
	AHC14774		6.10m reach	P-UB-10	95 mm	135 mm	JD-AH173444	357.29
	AHC14774	288927-	6.71m reach	P-UB-10	95 mm	135 mm	JD-AH173444	357.29
ENCLOSURE	AH211051			I,P-UB-1	45 mm		JD-AHC11572	135.92
	AH211051			N-N-10		90 mm	JD-AHC22108	80.61
TILT	AHC14779	-341728	6.71m reach	P-UB-10	95 mm	130 mm	JD-AH148453	563.99
	AHC20575	341729-	6.71m reach	P-UB-10	95 mm	130 mm	JD-AH148453	563.99
	AHC20575	-341728	6.71m reach	P-UB-10	95 mm	130 mm	JD-AH148453	563.99
TILT (POWER BOOM)	AHC14778	-341517	6.10m reach, 6.71m reach	P-UB-10	95 mm	135 mm	JD-AH173444	357.29
	AHC20580	341518-	6.10m reach, 6.71m reach	P-UB-10	95 mm	135 mm	JD-AH173444	357.29
	AHC20580	-341517	6.10m reach, 6.71m reach	P-UB-10	95 mm	135 mm	JD-AH173444	357.29
Forestry - Tree Harvesters								
APPLICATION	CYL #	SERIAL #	Misc	CODE	ROD	BORE	KIT #	List \$
MODEL 803MH								
ARM	AHC14775		9.91m reach	P-UB-10	95 mm	135 mm	JD-AH173444	357.29
	AHC14777		7.75m reach	P-UB-10	95 mm	135 mm	JD-AH173444	357.29
	AHC14814		8.84m reach	P-UB-10	95 mm	135 mm	JD-AH173444	357.29
	AHC19945		7.75m reach	P-UB-10	95 mm	135 mm	JD-AH173444	357.29
BOOM	AHC14773		8.84m reach, 9.91m reach	P-UB-10	95 mm	130 mm	JD-AH148453	563.99
	AHC14774		7.75m reach	P-UB-10	95 mm	135 mm	JD-AH173444	357.29
ENCLOSURE	AH211051			N-N-10		90 mm	JD-AHC22108	80.61
	AH211051			I,P-UB-1	45 mm		JD-AHC11572	135.92

LA - Long Arm LGP - Low Ground Pressure LT - Long Track MFWD - Mechanical Front Wheel Drive MP - Multi-Purpose
 IDM - Inside Dozer Mount ODM - Outside Dozer Mount SLF - Super Long Front STD - Straight Dozer WT - Wide Track

Replacement Kits For

JOHN DEERE®

Forestry - Tree Harvesters									
APPLICATION	CYL #	SERIAL #	Misc	CODE	ROD	BORE	KIT #	List \$	
MODEL 853MH									
ARM	AHC14775		9.91m reach	P-UB-10	95 mm	135 mm	JD-AH173444	357.29	
	AHC14777		7.75m reach	P-UB-10	95 mm	135 mm	JD-AH173444	357.29	
	AHC14814		8.84m reach	P-UB-10	95 mm	135 mm	JD-AH173444	357.29	
	AHC19945		7.75m reach	P-UB-10	95 mm	135 mm	JD-AH173444	357.29	
BOOM	AHC14773		8.84m reach, 9.91m reach	P-UB-10	95 mm	130 mm	JD-AH148453	563.99	
	AHC14774		7.75m reach	P-UB-10	95 mm	135 mm	JD-AH173444	357.29	
ENCLOSURE	AH211051			N-N-10		90 mm	JD-AHC22108	80.61	
	AH211051			I,P-UB-1	45 mm		JD-AHC11572	135.92	
Forestry - Wheel Feller Bunchers									
APPLICATION	CYL #	SERIAL #	Misc	CODE	ROD	BORE	KIT #	List \$	
MODEL 643K									
BOOM	AH216337			P-UB-1	56 mm		JD-AHC16683	87.31	
	AH216337			N-N-10,14		100 mm	JD-AHC19978	112.43	
CAB TILT	AH216340			I-U-1	32 mm		JD-AH149817	38.57	
	AH216340			N-N-10		63 mm	JD-AH161891	132.12	
	AHC10202			I-U-1	32 mm		JD-AH149817	38.57	
	AHC10202			N-N-10		63 mm	JD-AHC16682	26.91	
FB20 SHEAR - 7"	AT161016			P-U-10	4	7	JD-AT161017	205.79	
FB20 SHEAR ACCUMULATOR	AH163265			N-N-10		70 mm	JD-AH212090	20.04	
	AH163265			N-N-10		70 mm	JD-AH212090	20.04	
FB20 SHEAR CLAMP	AH162302			P-UB-1	50 mm		JD-AHC16954	108.98	
	AH162302			N-N-10,14		90 mm	JD-AHC19979	99.26	
	AH224687			P-UB-1	50 mm		JD-AHC16954	108.98	
	AH224687			N-N-10,14		90 mm	JD-AHC19979	99.26	
FD22B SAW CLAMP	AHC14073			P-UB-1	56 mm		JD-AHC16683	87.31	
	AHC14073			N-N-10,14		90 mm	JD-AHC19979	99.26	
	AT435033			P-UB-1	56 mm		JD-AHC16683	87.31	
	AT435033			N-N-10,14		90 mm	JD-AHC19979	99.26	
	F394673			P-UB-1	56 mm		JD-AHC16683	87.31	
	F394673			N-N-10,14		90 mm	JD-AHC19979	99.26	
	F670104			P-UB-1	56 mm		JD-AHC16683	87.31	
	F670104			N-N-10,14		90 mm	JD-AHC19979	99.26	
	FD45 SAW CLAMP	AH207434			P-UB-1	50 mm		JD-AHC16954	108.98
	AH207434			N-N-10,14		90 mm	JD-AHC19979	99.26	
AH214946			P-UB-1	50 mm		JD-AHC16954	108.98		
AH214946			N-N-10,14		90 mm	JD-AHC19979	99.26		
AH224698			P-UB-1	50 mm		JD-AHC16954	108.98		
AH224698			N-N-10,14		90 mm	JD-AHC19979	99.26		
AH230912			P-UB-1	50 mm		JD-AHC16954	108.98		
AH230912			N-N-10,14		90 mm	JD-AHC19979	99.26		
AH230914			P-UB-1	50 mm		JD-AHC16954	108.98		
AH230914			N-N-10,14		90 mm	JD-AHC19979	99.26		
F122543			P-UB-1	50 mm		JD-AHC16954	108.98		
F122543			N-N-10,14		90 mm	JD-AHC19979	99.26		
STEERING	AH219492			I,P-UB-1	45 mm		JD-AHC11572	135.92	
	AH219492			N-N-10,14		80 mm	JD-AHC20488	101.27	
TILT	AHC10034			P-UB-1	56 mm		JD-AHC16683	87.31	
	AHC10034			N-N-14		100 mm	JD-AHC19515	91.20	
MODEL 643L									
BOOM	AHC12785			P-UB-1	56 mm		JD-AHC16683	87.31	
	AHC12785			N-N-10,14		100 mm	JD-AHC19978	112.43	
FD22B SAW CLAMP	AHC14073			P-UB-1	56 mm		JD-AHC16683	87.31	
	AHC14073			N-N-10,14		90 mm	JD-AHC19979	99.26	

LA - Long Arm LGP - Low Ground Pressure LT - Long Track MFWD - Mechanical Front Wheel Drive MP - Multi-Purpose
 IDM - Inside Dozer Mount ODM - Outside Dozer Mount SLF - Super Long Front STD - Straight Dozer WT - Wide Track

FORMERLY LISTED REPAIR PARTS ARE AVAILABLE ONLINE AT WWW.HERCULESUS.COM
 OR BY CONTACTING YOUR REGIONAL HERCULES SALES TEAM.

Replacement Kits For

JOHN DEERE®

Forestry - Wheel Feller Bunchers								
APPLICATION	CYL #	SERIAL #	Misc	CODE	ROD	BORE	KIT #	List \$
MODEL 643L								
FD22B SAW CLAMP	AT435033			P-UB-1	56 mm		JD-AHC16683	87.31
	AT435033			N-N-10,14		90 mm	JD-AHC19979	99.26
	F394673			P-UB-1	56 mm		JD-AHC16683	87.31
	F394673			N-N-10,14		90 mm	JD-AHC19979	99.26
	F670104			P-UB-1	56 mm		JD-AHC16683	87.31
	F670104			N-N-10,14		90 mm	JD-AHC19979	99.26
FD45 SAW CLAMP	AH207434			P-UB-1	50 mm		JD-AHC16954	108.98
	AH207434			N-N-10,14		90 mm	JD-AHC19979	99.26
	AH214946			P-UB-1	50 mm		JD-AHC16954	108.98
	AH214946			N-N-10,14		90 mm	JD-AHC19979	99.26
	AH224698			P-UB-1	50 mm		JD-AHC16954	108.98
	AH224698			N-N-10,14		90 mm	JD-AHC19979	99.26
	AH230912			P-UB-1	50 mm		JD-AHC16954	108.98
	AH230912			N-N-10,14		90 mm	JD-AHC19979	99.26
	AH230914			P-UB-1	50 mm		JD-AHC16954	108.98
	AH230914			N-N-10,14		90 mm	JD-AHC19979	99.26
	F122543			P-UB-1	50 mm		JD-AHC16954	108.98
	F122543			N-N-10,14		90 mm	JD-AHC19979	99.26
FD55 SAW CLAMP	AHC11549			N-N-10,14		100 mm	JD-AHC19978	112.43
	AHC11549			N-N-10,14		100 mm	JD-AHC19978	112.43
	AHC18311			P-UB-1	56 mm		JD-AHC16683	87.31
	AHC18311			N-N-10,14		100 mm	JD-AHC19978	112.43
STEERING - LEFT	AHC16232			P-UB-1	50 mm		JD-AHC16954	108.98
	AHC16232			N-N-10,14		80 mm	JD-AHC20488	101.27
STEERING - RIGHT	AHC16235			P-UB-1	50 mm		JD-AHC16954	108.98
	AHC16235			N-N-10,14		80 mm	JD-AHC20488	101.27
TILT	AHC12795			P-UB-1	63 mm		JD-AHC13362	132.05
	AHC12795			N-N-10,14		110 mm	JD-AHC20489	118.40
MODEL 843K								
BOOM	AH216337			P-UB-1	56 mm		JD-AHC16683	87.31
	AH216337			N-N-10,14		100 mm	JD-AHC19978	112.43
CAB TILT	AH216340			I-U-1	32 mm		JD-AH149817	38.57
	AH216340			N-N-10		63 mm	JD-AHC16682	26.91
	AHC10202			I-U-1	32 mm		JD-AH149817	38.57
	AHC10202			N-N-10		63 mm	JD-AHC16682	26.91
FD22B SAW CLAMP	AHC14073			P-UB-1	56 mm		JD-AHC16683	87.31
	AHC14073			N-N-10,14		90 mm	JD-AHC19979	99.26
	AT435033			P-UB-1	56 mm		JD-AHC16683	87.31
	AT435033			N-N-10,14		90 mm	JD-AHC19979	99.26
	F394673			P-UB-1	56 mm		JD-AHC16683	87.31
	F394673			N-N-10,14		90 mm	JD-AHC19979	99.26
	F670104			P-UB-1	56 mm		JD-AHC16683	87.31
	F670104			N-N-10,14		90 mm	JD-AHC19979	99.26
FD45 SAW CLAMP	AH207434			P-UB-1	50 mm		JD-AHC16954	108.98
	AH207434			N-N-10,14		90 mm	JD-AHC19979	99.26
	AH214946			P-UB-1	50 mm		JD-AHC16954	108.98
	AH214946			N-N-10,14		90 mm	JD-AHC19979	99.26
	AH224698			P-UB-1	50 mm		JD-AHC16954	108.98
	AH224698			N-N-10,14		90 mm	JD-AHC19979	99.26
	AH230912			P-UB-1	50 mm		JD-AHC16954	108.98
	AH230912			N-N-10,14		90 mm	JD-AHC19979	99.26
	AH230914			P-UB-1	50 mm		JD-AHC16954	108.98
	AH230914			N-N-10,14		90 mm	JD-AHC19979	99.26
	F122543			P-UB-1	50 mm		JD-AHC16954	108.98
	F122543			N-N-10,14		90 mm	JD-AHC19979	99.26

LA - Long Arm LGP - Low Ground Pressure LT - Long Track MFWD - Mechanical Front Wheel Drive MP - Multi-Purpose
 IDM - Inside Dozer Mount ODM - Outside Dozer Mount SLF - Super Long Front STD - Straight Dozer WT - Wide Track

Replacement Kits For

JOHN DEERE®

Forestry - Wheel Feller Bunchers								
APPLICATION	CYL #	SERIAL #	Misc	CODE	ROD	BORE	KIT #	List \$
MODEL 843K								
FD55 SAW CLAMP	AHC11549			P-UB-1	56 mm		JD-AHC16683	87.31
	AHC11549			N-N-10,14		100 mm	JD-AHC19978	112.43
	AHC18311			P-UB-1	56 mm		JD-AHC16683	87.31
	AHC18311			N-N-10,14		100 mm	JD-AHC19978	112.43
STEERING	AH219492			I,P-UB-1	45 mm		JD-AHC11572	135.92
	AH219492			N-N-10,14		80 mm	JD-AHC20488	101.27
TILT	AHC10034			P-UB-1	56 mm		JD-AHC16683	87.31
	AHC10034			N-N-14		100 mm	JD-AHC19515	91.20
MODEL 843L								
BOOM	AHC12785			P-UB-1	56 mm		JD-AHC16683	87.31
	AHC12785			N-N-10,14		100 mm	JD-AHC19978	112.43
FD22B SAW CLAMP	AHC14073			P-UB-1	56 mm		JD-AHC16683	87.31
	AHC14073			N-N-10,14		90 mm	JD-AHC19979	99.26
	AT435033			P-UB-1	56 mm		JD-AHC16683	87.31
	AT435033			N-N-10,14		90 mm	JD-AHC19979	99.26
	F394673			P-UB-1	56 mm		JD-AHC16683	87.31
	F394673			N-N-10,14		90 mm	JD-AHC19979	99.26
	F670104			P-UB-1	56 mm		JD-AHC16683	87.31
	F670104			N-N-10,14		90 mm	JD-AHC19979	99.26
FD45 SAW CLAMP	AH207434			P-UB-1	50 mm		JD-AHC16954	108.98
	AH207434			N-N-10,14		90 mm	JD-AHC19979	99.26
	AH214946			P-UB-1	50 mm		JD-AHC16954	108.98
	AH214946			N-N-10,14		90 mm	JD-AHC19979	99.26
	AH224698			P-UB-1	50 mm		JD-AHC16954	108.98
	AH224698			N-N-10,14		90 mm	JD-AHC19979	99.26
	AH230912			P-UB-1	50 mm		JD-AHC16954	108.98
	AH230912			N-N-10,14		90 mm	JD-AHC19979	99.26
	AH230914			P-UB-1	50 mm		JD-AHC16954	108.98
	AH230914			N-N-10,14		90 mm	JD-AHC19979	99.26
	F122543			P-UB-1	50 mm		JD-AHC16954	108.98
	F122543			N-N-10,14		90 mm	JD-AHC19979	99.26
FD55 SAW CLAMP	AHC11549			P-UB-1	56 mm		JD-AHC16683	87.31
	AHC11549			N-N-10,14		100 mm	JD-AHC19978	112.43
	AHC18311			P-UB-1	56 mm		JD-AHC16683	87.31
	AHC18311			N-N-10,14		100 mm	JD-AHC19978	112.43
STEERING - LEFT	AHC16232			P-UB-1	50 mm		JD-AHC16954	108.98
	AHC16232			N-N-10,14		80 mm	JD-AHC20488	101.27
STEERING - RIGHT	AHC16235			P-UB-1	50 mm		JD-AHC16954	108.98
	AHC16235			N-N-10,14		80 mm	JD-AHC20488	101.27
TILT	AHC12795			P-UB-1	63 mm		JD-AHC13362	132.05
	AHC12795			N-N-10,14		110 mm	JD-AHC20489	118.40
Forestry - Wheel Skidders								
APPLICATION	CYL #	SERIAL #	Misc	CODE	ROD	BORE	KIT #	List \$
MODEL 648L								
ARCH (Dual)	AHC15255			P-UB-1	56 mm		JD-AHC16683	87.31
	AHC15255			N-N-10		100 mm	JD-AHC22109	90.08
	AHC20457			P-UB-1	56 mm		JD-AHC16683	87.31
	AHC20457			N-N-10		100 mm	JD-AHC22109	90.08
Arch (Single)	AHC13135			P-UB-1	56 mm		JD-AHC16683	87.31
	AHC13135			N-N-10		90 mm	JD-AHC22108	80.61
BOOM	AHC20460			P-UB-1	56 mm		JD-AHC20468	128.39
	AHC20460			N-N-10,14		100 mm	JD-AHC19978	112.43
BOOM (Dual)	AHC15277			P-UB-1	56 mm		JD-AHC16683	87.31
	AHC15277			N-N-14		100 mm	JD-AHC19515	91.20
	AHC19375			P-UB-1	56 mm		JD-AHC16683	87.31

LA - Long Arm LGP - Low Ground Pressure LT - Long Track MFWD - Mechanical Front Wheel Drive MP - Multi-Purpose
 IDM - Inside Dozer Mount ODM - Outside Dozer Mount SLF - Super Long Front STD - Straight Dozer WT - Wide Track

FORMERLY LISTED REPAIR PARTS ARE AVAILABLE ONLINE AT WWW.HERCULESUS.COM
 OR BY CONTACTING YOUR REGIONAL HERCULES SALES TEAM.

JOHN DEERE®

Replacement Kits For

JOHN DEERE®

Forestry - Wheel Skidders

APPLICATION	CYL #	SERIAL #	Misc	CODE	ROD	BORE	KIT #	List \$
MODEL 648L								
BOOM (Dual)	AHC19375			N-N-14		100 mm	JD-AHC19515	91.20
CAB TILT	AHC216340			I-U-1	32 mm		JD-AH149817	38.57
	AHC216340			N-N-10		63 mm	JD-AHC16682	26.91
GRAPPLE	AHC16307	-678405	10.8, 13.3, 15.9 sqft	P-UB-1	70 mm		JD-AHC16724	151.22
	AHC16307	-678405	10.8, 13.3, 15.9 sqft	N-N-14		115 mm	JD-AH212103	191.55
	AHC16308		19.1, 22.3 sqft	P-UB-1	70 mm		JD-AHC16724	151.22
	AHC16308		19.1, 22.3 sqft	N-N-14		115 mm	JD-AH212103	191.55
	AHC18005	648406-	10.8, 13.3, 15.9 sqft	P-UB-1	75 mm		JD-AHC13542	176.62
	AHC18005	648406-	10.8, 13.3, 15.9 sqft	N-N-14		120 mm	JD-AH149847	206.53
STACKING BLADE	AHC13134	-690770		P-UB-1	50 mm		JD-AHC16954	108.98
	AHC13134	-690770		N-N-14		100 mm	JD-AHC19515	91.20
	AHC19507	690771-		P-UB-1	50 mm		JD-AHC16954	108.98
	AHC19507	690771-		N-N-14		100 mm	JD-AHC19515	91.20
STEERING (LH)	AHC12805			P-UB-1	50 mm		JD-AHC16954	108.98
	AHC12805			N-N-10,14		90 mm	JD-AHC19979	99.26
	AHC20452			P-UB-1	50 mm		JD-AHC16954	108.98
	AHC20452			N-N-10,14		90 mm	JD-AHC19979	99.26
STEERING (RH)	AHC12721			P-UB-1	50 mm		JD-AHC16954	108.98
	AHC12721			N-N-10,14		90 mm	JD-AHC19979	99.26
	AHC20455			P-UB-1	50 mm		JD-AHC16954	108.98
	AHC20455			N-N-10,14		90 mm	JD-AHC19979	99.26
MODEL 748H								
ARCH (LH)	AH215479			P-UB-1	56 mm		JD-AHC16683	87.31
	AH215479			N-N-10		100 mm	JD-AHC22109	90.08
ARCH (RH)	AH215485			P-UB-1	56 mm		JD-AHC16683	87.31
	AH215485			N-N-10		100 mm	JD-AHC22109	90.08
BLADE	AH223576	-630435		P-UB-1	50 mm		JD-AHC16954	108.98
	AH223576	-630435		N-N-10		100 mm	JD-AHC22109	90.08
BOOM	AH215291		STD CYL	P-UB-1	56 mm		JD-AHC16683	87.31
	AH215291		STD CYL	N-N-10		100 mm	JD-AHC22109	90.08
	AH227744		LARGE CYL	P-UB-1	63 mm		JD-AHC13362	132.05
	AH227744		LARGE CYL	N-N-14		115 mm	JD-AH212103	191.55
CAB TILT	AH216340			I-U-1	32 mm		JD-AH149817	38.57
	AH216340			N-N-10		63 mm	JD-AHC16682	26.91
	AHC10202			I-U-1	32 mm		JD-AH149817	38.57
	AHC10202			N-N-10		63 mm	JD-AHC16682	26.91
GRAPPLE	AH209744	-630745		P-UB-1	63 mm		JD-AHC13362	132.05
	AH209744	-630745		N-N-10		125 mm	JD-AH167596	49.82
	AH231020	-630435		P-UB-1	63 mm		JD-AHC13362	132.05
	AH231020	-630435		N-N-14		125 mm	JD-AH163672	184.07
	AHC15842			N-N-14		125 mm	JD-AH163672	184.07
STEERING	AH213303	-630435	STD CYL	P-UB-1	50 mm		JD-AHC16954	108.98
	AH213303	-630435	STD CYL	N-N-10,14		90 mm	JD-AHC19979	99.26
	AH219905	-630435	LARGE CYL	P-UB-1	56 mm		JD-AHC16683	87.31
	AH219905	-630435	LARGE CYL	N-N-14		100 mm	JD-AHC19515	91.20
MODEL 748L								
ARCH	AHC20462	700126-		P-UB-1	56 mm		JD-AHC20468	128.39
	AHC20462	700126-		N-N-14		100 mm	JD-AHC19515	91.20
ARCH (DUAL)	AHC15273	-678070		P-UB-1	56 mm		JD-AHC16683	87.31
	AHC15273	-678070		N-N-14		100 mm	JD-AHC19515	91.20
	AHC18226	678071-700125		P-UB-1	56 mm		JD-AHC20468	128.39
	AHC18226	678071-700125		N-N-14		100 mm	JD-AHC19515	91.20

LA - Long Arm LGP - Low Ground Pressure LT - Long Track MFWD - Mechanical Front Wheel Drive MP - Multi-Purpose
 IDM - Inside Dozer Mount ODM - Outside Dozer Mount SLF - Super Long Front STD - Straight Dozer WT - Wide Track

JOHN DEERE®

Replacement Kits For

JOHN DEERE®

JOHN DEERE®

Forestry - Wheel Skidders								
APPLICATION	CYL #	SERIAL #	Misc	CODE	ROD	BORE	KIT #	List \$
MODEL 748L								
BOOM	AHC20465	700126-		P-UB-1	56 mm		JD-AHC20468	128.39
	AHC20465	700126-		N-N-10,14		100 mm	JD-AHC19978	112.43
BOOM (DUAL)	AHC15283	-700125		P-UB-1	56 mm		JD-AHC20468	128.39
	AHC15283	-700125		N-N-14		100 mm	JD-AHC19515	91.20
CAB TILT	AH216340			I-U-1	32 mm		JD-AH149817	38.57
	AH216340			N-N-10		63 mm	JD-AHC16682	26.91
GRAPPLE	AHC16307	-678405	10.8, 13.3, 15.9 sqft	P-UB-1	70 mm		JD-AHC16724	151.22
	AHC16307	-678405	10.8, 13.3, 15.9 sqft	N-N-14		115 mm	JD-AH212103	191.55
	AHC16308	-678405	19.1, 22.3 sqft	P-UB-1	70 mm		JD-AHC16724	151.22
	AHC16308	-678405	19.1, 22.3 sqft	N-N-14		115 mm	JD-AH212103	191.55
	AHC18005	678406-	10.8, 13.3, 15.9 sqft	P-UB-1	75 mm		JD-AHC13542	176.62
	AHC18005	678406-	10.8, 13.3, 15.9 sqft	N-N-14		120 mm	JD-AH149847	206.53
	AHC18121	678406-	19.1, 22.3 sqft	P-UB-1	75 mm		JD-AHC13542	176.62
STACKING BLADE	AHC18121	678406-	19.1, 22.3 sqft	N-N-14		120 mm	JD-AH149847	206.53
	AHC13134	-690770		P-UB-1	50 mm		JD-AHC16954	108.98
	AHC13134	-690770		N-N-14		100 mm	JD-AHC19515	91.20
	AHC19507	690771-		P-UB-1	50 mm		JD-AHC16954	108.98
STEERING (LH)	AHC19507	690771-		N-N-14		100 mm	JD-AHC19515	91.20
	AHC12805	-700125		P-UB-1	50 mm		JD-AHC16954	108.98
	AHC12805	-700125		N-N-10,14		90 mm	JD-AHC19979	99.26
	AHC20452	700126-		P-UB-1	50 mm		JD-AHC16954	108.98
STEERING (RH)	AHC20452	700126-		N-N-10,14		90 mm	JD-AHC19979	99.26
	AHC12721	-700125		P-UB-1	50 mm		JD-AHC16954	108.98
	AHC12721	-700125		N-N-10,14		90 mm	JD-AHC19979	99.26
	AHC20455	700126-		P-UB-1	50 mm		JD-AHC20467	85.95
AHC20455	700126-		N-N-10,14		90 mm	JD-AHC19979	99.26	
Knuckle Boom Loaders								
APPLICATION	CYL #	SERIAL #	Misc	CODE	ROD	BORE	KIT #	List \$
MODEL 435C								
JIB	F125716			P-UB-14	4	6-1/2	JD-F437037	584.82
MODEL 437C								
JIB	F124561	-171504		P-UB-1	3-1/2		JD-AT384823	261.18
	F124561	-171504		N-N-14		6	JD-AT348039	156.16
MAIN	F125723			P-UB-14	4	7	JD-F437043	582.20
Loaders - Skid Steer								
APPLICATION	CYL #	SERIAL #	Misc	CODE	ROD	BORE	KIT #	List \$
MODEL 240								
BOOM (LH)	AH210318	925239-		I-U-10	40 mm	2-1/4	JD-AH160844	77.30
BOOM (RH)	AH210319	925239-		I-U-10	36 mm	2-1/4	JD-AH168977	85.75
BUCKET	AH212126	-925238		I-U-10	32 mm	2-1/4	JD-AH160843	81.11
BUCKET (LH)	AH211533	925239-		I-U-10	32 mm	2-1/4	JD-AH160843	81.11
	AH218165	925239-		I-U-10	32 mm	2-1/4	JD-AH160843	81.11
BUCKET (RH)	AH210320	925239-		I-U-10	32 mm	2-1/4	JD-AH160843	81.11
	AH218164	925239-		I-U-10	32 mm	2-1/4	JD-AH160843	81.11
MODEL 250								
BOOM		-925238		I-U-10	40 mm	2-1/4	JD-AH160844	77.30
		251874-		I-U-10	36 mm	2-1/4	JD-AH168977	85.75
BOOM (LH)	AH210318	925239-		I-U-10	40 mm	2-1/4	JD-AH160844	77.30
BOOM (RH)	AH210319	925239-		I-U-10	36 mm	2-1/4	JD-AH168977	85.75
BUCKET	AH212126	-925238		I-U-10	32 mm	2-1/4	JD-AH160843	81.11
BUCKET (LH)	AH211533	925239-		I-U-10	32 mm	2-1/4	JD-AH160843	81.11
	AH218165							

LA - Long Arm LGP - Low Ground Pressure LT - Long Track MFWD - Mechanical Front Wheel Drive MP - Multi-Purpose
 IDM - Inside Dozer Mount ODM - Outside Dozer Mount SLF - Super Long Front STD - Straight Dozer WT - Wide Track

FORMERLY LISTED REPAIR PARTS ARE AVAILABLE ONLINE AT WWW.HERCULESUS.COM
 OR BY CONTACTING YOUR REGIONAL HERCULES SALES TEAM.

Replacement Kits For

JOHN DEERE®

Loaders - Skid Steer								
APPLICATION	CYL #	SERIAL #	Misc	CODE	ROD	BORE	KIT #	List \$
MODEL 250								
BUCKET (LH)	AH218165	925239-		I-U-10	32 mm	2-1/4	JD-AH160843	81.11
BUCKET (RH)	AH210320	925239-		I-U-10	32 mm	2-1/4	JD-AH160843	81.11
	AH218164	925239-		I-U-10	32 mm	2-1/4	JD-AH160843	81.11
MODEL 260								
BOOM	AH163702	-369999		I-U-10	45 mm	2-1/2	JD-AH160846	74.92
	AH163703	-369999		I-U-10	45 mm	2-1/2	JD-AH160846	74.92
	AH210322	370000-925239		I-U-10	45 mm	2-1/2	JD-AH160846	74.92
	AH210322	925240-		I-U-10	45 mm	2-1/2	JD-AH160846	74.92
BUCKET	AH158440	-160844		I-U-10	40 mm	2-1/2	JD-AH160845	76.85
	AH166137	160845-369999		I-U-10	36 mm	2-1/2	JD-AH166140	110.48
	AH210323	925240-		I-U-10	36 mm	2-1/2	JD-AH166140	110.48
	AH210323	370000-925239		I-U-10	36 mm	2-1/2	JD-AH166140	110.48
	AH210324	925240-		I-U-10	36 mm	2-1/2	JD-AH166140	110.48
	AH210324	370000-925239		I-U-10	36 mm	2-1/2	JD-AH166140	110.48
MODEL 270								
BOOM	AH163702	-379999		I-U-10	45 mm	2-1/2	JD-AH160846	74.92
	AH163703	-379999		I-U-10	45 mm	2-1/2	JD-AH160846	74.92
	AH210322	925240-		I-U-10	45 mm	2-1/2	JD-AH160846	74.92
	AH210322	380000-925239		I-U-10	45 mm	2-1/2	JD-AH160846	74.92
BUCKET	AH158440	-170702		I-U-10	40 mm	2-1/2	JD-AH160845	76.85
	AH166137	170703-370249		I-U-10	36 mm	2-1/2	JD-AH166140	110.48
	AH210325	925240-		I-U-10	36 mm	2-3/4	JD-AH174553	110.44
	AH210630	380000-925239		I-U-10	36 mm	2-3/4	JD-AH174553	110.44
	AH210630	370250-379999		I-U-10	36 mm	2-3/4	JD-AH174553	110.44
	AH211460	925240-		I-U-10	36 mm	2-3/4	JD-AH174553	110.44
MODEL 280								
BOOM	AH174080			N-N-10		70 mm	JD-AH212090	20.04
	AH174080			I,P-UB-1	45 mm		JD-AH149813	95.91
	AH210326			N-N-10		70 mm	JD-AH212090	20.04
	AH210326			I,P-UB-1	45 mm		JD-AH149813	95.91
BUCKET	AH210329	925240-		N-N-10		80 mm	JD-AH212092	59.07
	AH210329	925240-		I,P-UB-1	45 mm		JD-AH149813	95.91
	AH210329	-925239		I,P-UB-1	45 mm		JD-AH149813	95.91
	AH210329	-925239		N-N-10		80 mm	JD-AH212092	59.07
	AH211461	925240-		I,P-UB-1	45 mm		JD-AH149813	95.91
	AH211461	925240-		N-N-10		80 mm	JD-AH212092	59.07
	AH211461	-925239		I,P-UB-1	45 mm		JD-AH149813	95.91
	AH211461	-925239		N-N-10		80 mm	JD-AH212092	59.07
MODEL 312GR								
BOOM	JD-AHC16513			I,P-U-1	36 mm		JD-AHC18638	88.54
	JD-AHC16513			N-N-10		2-1/4	JD-AH164325	33.68
BUCKET LH	JD-AHC20747			I,P-U-1	36 mm		JD-AHC18638	88.54
	JD-AHC20747			N-N-10		70 mm	JD-AH212090	20.04
	JD-AHC20747			Unitized Piston		70 mm	JD-AH172352	218.08
BUCKET RH	JD-AHC20750			I,P-U-1	36 mm		JD-AHC18638	88.54
	JD-AHC20750			N-N-10		70 mm	JD-AH212090	20.04
	JD-AHC20750			Unitized Piston		70 mm	JD-AH172352	218.08
MODEL 314G								
BOOM	JD-AHC16515			I,P-U-1	36 mm		JD-AHC18638	88.54
	JD-AHC16515			N-N-10		63 mm	JD-AH212088	21.44
BUCKET LH	JD-AHC20747			I,P-U-1	36 mm		JD-AHC18638	88.54
	JD-AHC20747			N-N-10		70 mm	JD-AH212090	20.04
	JD-AHC20747			Unitized Piston		70 mm	JD-AH172352	218.08
BUCKET RH	JD-AHC20750			I,P-U-1	36 mm		JD-AHC18638	88.54
	JD-AHC20750			N-N-10		70 mm	JD-AH212090	20.04

LA - Long Arm LGP - Low Ground Pressure LT - Long Track MFWD - Mechanical Front Wheel Drive MP - Multi-Purpose
 IDM - Inside Dozer Mount ODM - Outside Dozer Mount SLF - Super Long Front STD - Straight Dozer WT - Wide Track

NORTH AMERICA
 PHONE 1-800-777-5617
 FAX 1-800-759-6391

SALES OFFICE HOURS
 8 A.M. TO 8:00 P.M. EASTERN TIME
 www.HerculesUS.com

WORLDWIDE
 PHONE 1-727-796-1300
 FAX 1-727-797-8849

HERCULES
 SEALING PRODUCTS

Replacement Kits For

JOHN DEERE®

JOHN DEERE®

Loaders - Skid Steer								
APPLICATION	CYL #	SERIAL #	Misc	CODE	ROD	BORE	KIT #	List \$
MODEL 314G								
BUCKET RH	JD-AHC20750			Unitized Piston		70 mm	JD-AH172352	218.08
MODEL 316GR								
BOOM	JD-AHC16515			I,P-U-1	36 mm		JD-AHC18638	88.54
	JD-AHC16515			N-N-10		63 mm	JD-AH212088	21.44
BUCKET LH	JD-AHC20747			I,P-U-1	36 mm		JD-AHC18638	88.54
	JD-AHC20747			N-N-10		70 mm	JD-AH212090	20.04
	JD-AHC20747			Unitized Piston		70 mm	JD-AH172352	218.08
BUCKET RH	JD-AHC20750			I,P-U-1	36 mm		JD-AHC18638	88.54
	JD-AHC20750			N-N-10		70 mm	JD-AH212090	20.04
	JD-AHC20750			Unitized Piston		70 mm	JD-AH172352	218.08
MODEL 317								
BOOM	AH212292	-111419		I-U-10	36 mm	2-1/4	JD-AH168977	85.75
	AH212293	-111419		I-U-10	36 mm	2-1/4	JD-AH168977	85.75
	AH218239	111420-		I-U-10	40 mm	56 mm	JD-AH231937	69.07
	AH218240	111420-		I-U-10	40 mm	56 mm	JD-AH231937	69.07
BUCKET	AH210320	-114864		I-U-10	32 mm	56 mm	JD-AH231936	75.62
	AH211533	-114864		I-U-10	32 mm	56 mm	JD-AH231936	75.62
	AH218164	114865-		I-U-10	32 mm	56 mm	JD-AH231936	75.62
	AH218165	114865-		I-U-10	32 mm	56 mm	JD-AH231936	75.62
QUIK-TATCH	AH216525	104831-		I-U-10	20 mm	32 mm	JD-AH174428	95.59
	AH216525	-104830		I-U-10	20 mm	32 mm	JD-AH174428	95.59
MODEL 318D								
BOOM (LH)	AH218242	-179866		I-U-10	40 mm	56 mm	JD-AH231937	69.07
	AHC10896	185695-		N-N-10		2-1/4	JD-AH164325	33.68
	AHC10896	185695-		I-U-10	40 mm	56 mm	JD-AH231937	69.07
BOOM (RH)	AH218242	-179866		I-U-10	40 mm	56 mm	JD-AH231937	69.07
	AHC10895			I-U-10	40 mm	56 mm	JD-AH231937	69.07
	AHC10895	185695-		N-N-10		2-1/4	JD-AH164325	33.68
BUCKET (LH)	AHC10392			I-U-10	36 mm	2-1/2	JD-AH166140	110.48
BUCKET (RH)	AHC10391			I-U-10	36 mm	2-1/2	JD-AH166140	110.48
MODEL 318E								
BOOM	AHC14647			I,P-UB-1	40 mm		JD-AHC13485	107.05
	AHC14647			N-N-10		63 mm	JD-AH212088	21.44
BUCKET LH	AHC13933			I,P-U-1	36 mm		JD-AHC18638	88.54
	AHC13933			N-N-10		63 mm	JD-AH212088	21.44
BUCKET RH	AHC13932			I,P-U-1	36 mm		JD-AHC18638	88.54
	AHC13932			N-N-10		63 mm	JD-AH212088	21.44
MODEL 318G								
BOOM	AHC16509			I,P-UB-1	40 mm		JD-AHC13485	107.05
	AHC16509			N-N-10		63 mm	JD-AH212088	21.44
BUCKET LH	AHC16512			I,P-U-1	36 mm		JD-AHC18638	88.54
	AHC16512			N-N-10		70 mm	JD-AH212090	20.04
	AHC19578			I,P-U-1	36 mm		JD-AHC18638	88.54
	AHC19578			N-N-10		70 mm	JD-AH212090	20.04
BUCKET RH	AHC16511			I,P-U-1	36 mm		JD-AHC18638	88.54
	AHC16511			N-N-10		70 mm	JD-AH212090	20.04
	AHC19575			I,P-U-1	36 mm		JD-AHC18638	88.54
	AHC19575			N-N-10		70 mm	JD-AH212090	20.04
MODEL 320								
BOOM	AH212292	-111419		I-U-10	36 mm	2-1/4	JD-AH168977	85.75
	AH212293	-111419		I-U-10	36 mm	2-1/4	JD-AH168977	85.75
	AH218239	111420-		I-U-10	40 mm	56 mm	JD-AH231937	69.07
	AH218240	111420-		I-U-10	40 mm	56 mm	JD-AH231937	69.07
BUCKET	AH210320	-114864		I-U-10	32 mm	56 mm	JD-AH231936	75.62
	AH211533	-114864		I-U-10	32 mm	56 mm	JD-AH231936	75.62

LA - Long Arm LGP - Low Ground Pressure LT - Long Track MFWD - Mechanical Front Wheel Drive MP - Multi-Purpose
 IDM - Inside Dozer Mount ODM - Outside Dozer Mount SLF - Super Long Front STD - Straight Dozer WT - Wide Track

FORMERLY LISTED REPAIR PARTS ARE AVAILABLE ONLINE AT WWW.HERCULESUS.COM
 OR BY CONTACTING YOUR REGIONAL HERCULES SALES TEAM.

Replacement Kits For

JOHN DEERE®

Loaders - Skid Steer								
APPLICATION	CYL #	SERIAL #	Misc	CODE	ROD	BORE	KIT #	List \$
MODEL 320								
BUCKET	AH218164	114865-		I-U-10	32 mm	56 mm	JD-AH231936	75.62
	AH218165	114865-		I-U-10	32 mm	56 mm	JD-AH231936	75.62
QUIK-TATCH	AH216525	-104830		I-U-10	20 mm	32 mm	JD-AH174428	95.59
	AH216525	104831-		I-U-10	20 mm	32 mm	JD-AH174428	95.59
MODEL 320D								
BOOM (LH)	AH218242	-179866		I-U-10	40 mm	56 mm	JD-AH231937	69.07
	AHC10896	185695-		N-N-10		2-1/4	JD-AH164325	33.68
	AHC10896	185695-		I-U-10	40 mm	56 mm	JD-AH231937	69.07
BOOM (RH)	AH218241	-179866		I-U-10	40 mm	56 mm	JD-AH231937	69.07
	AHC10895	185695-		I-U-10	40 mm	56 mm	JD-AH231937	69.07
BUCKET (LH)	AHC10392			I-U-10	36 mm	2-1/2	JD-AH166140	110.48
BUCKET (RH)	AHC10391			I-U-10	36 mm	2-1/2	JD-AH166140	110.48
MODEL 320E								
BOOM	AHC14647			I,P-UB-1	40 mm		JD-AHC13485	107.05
	AHC14647			N-N-10		63 mm	JD-AH212088	21.44
BUCKET LH	AHC13933			I,P-U-1	36 mm		JD-AHC18638	88.54
	AHC13933			N-N-10		63 mm	JD-AH212088	21.44
BUCKET RH	AHC13932			I,P-U-1	36 mm		JD-AHC18638	88.54
	AHC13932			N-N-10		63 mm	JD-AH212088	21.44
MODEL 320G								
BOOM	JD-AHC17440			I,P-UB-1	40 mm		JD-AHC13485	107.05
	JD-AHC17440			N-N-10		63 mm	JD-AH212088	21.44
	JD-AHC17440			Unitized Piston		63 mm	JD-AH137177	213.24
BUCKET LH	JD-AHC17391			I,P-U-1	36 mm		JD-AHC18638	88.54
	JD-AHC17391			N-N-10		63 mm	JD-AH212088	21.44
	JD-AHC17391			Unitized Piston		63 mm	JD-AH166138	207.30
BUCKET RH	JD-AHC17388			I,P-U-1	36 mm		JD-AHC18638	88.54
	JD-AHC17388			N-N-10		63 mm	JD-AH212088	21.44
	JD-AHC17388			Unitized Piston		63 mm	JD-AH166138	207.30
MODEL 323D								
BOOM (LH)	AH218242	-179866		I-U-10	40 mm	56 mm	JD-AH231937	69.07
	AHC10764	179866-185694		I,P-UB-1	40 mm		JD-AH149194	80.03
	AHC10764	179866-185694		N-N-10		2-1/4	JD-AH164325	33.68
	AHC10896	185695-		I-U-10	40 mm	56 mm	JD-AH231937	69.07
BOOM (RH)	AHC10896	185695-		N-N-10		2-1/4	JD-AH164325	33.68
	AHC10895	179867-185694		I,P-UB-1	40 mm		JD-AH149194	80.03
	AHC10895	185695-		I-U-10	40 mm	56 mm	JD-AH231937	69.07
	AHC10895	185695-		N-N-10		2-1/4	JD-AH164325	33.68
BUCKET (LH)	AH232322			I-U-10	36 mm	2-1/2	JD-AH166140	110.48
	AH232321			I-U-10	36 mm	2-1/2	JD-AH166140	110.48
MODEL 324G								
BOOM	JD-AHC17478			I,P-UB-1	45 mm		JD-AHC11572	135.92
	JD-AHC17478			N-N-10		70 mm	JD-AH212090	20.04
	JD-AHC17478			Unitized Piston		70 mm	JD-RE34084	309.46
BUCKET LH	JD-AHC17485			I,P-U-1	36 mm		JD-AHC18638	88.54
	JD-AHC17485			N-N-10		70 mm	JD-AH212090	20.04
	JD-AHC17485			Unitized Piston		70 mm	JD-AH172352	218.08
BUCKET RH	JD-AHC17488			I,P-U-1	36 mm		JD-AHC18638	88.54
	JD-AHC17488			N-N-10		70 mm	JD-AH212090	20.04
	JD-AHC17488			Unitized Piston		70 mm	JD-AH172352	218.08
MODEL 325								
BOOM	AH210322			I-U-10	45 mm	2-1/2	JD-AH160846	74.92
BUCKET	AH210323			I-U-10	36 mm	2-1/2	JD-AH166140	110.48
	AH210324			I-U-10	36 mm	2-1/2	JD-AH166140	110.48

LA - Long Arm LGP - Low Ground Pressure LT - Long Track MFWD - Mechanical Front Wheel Drive MP - Multi-Purpose
 IDM - Inside Dozer Mount ODM - Outside Dozer Mount SLF - Super Long Front STD - Straight Dozer WT - Wide Track

NORTH AMERICA
 PHONE 1-800-777-5617
 FAX 1-800-759-6391

SALES OFFICE HOURS
 8 A.M. TO 8:00 P.M. EASTERN TIME
 www.HerculesUS.com

WORLDWIDE
 PHONE 1-727-796-1300
 FAX 1-727-797-8849

HERCULES
 SEALING PRODUCTS

Replacement Kits For

JOHN DEERE®

Loaders - Skid Steer								
APPLICATION	CYL #	SERIAL #	Misc	CODE	ROD	BORE	KIT #	List \$
MODEL 325								
QUIK-TATCH	AH216525	-131897		I-U-10	20 mm	32 mm	JD-AH174428	95.59
MODEL 326D								
BOOM	AH210322			I-U-10	45 mm	2-1/2	JD-AH160846	74.92
BUCKET (LH)	AH232324			I-U-10	36 mm	2-3/4	JD-AH174553	110.44
BUCKET (RH)	AH232323			I-U-10	36 mm	2-3/4	JD-AH174553	110.44
MODEL 326E								
BOOM	AHC15448			I-U-10	45 mm	2-1/2	JD-AH160846	74.92
BUCKET (LH)	AH232324			I-U-10	36 mm	2-3/4	JD-AH174553	110.44
BUCKET (RH)	AH232323			I-U-10	36 mm	2-3/4	JD-AH174553	110.44
MODEL 328								
BOOM	AH210322			I-U-10	45 mm	2-1/2	JD-AH160846	74.92
BUCKET	AH210325			I-U-10	36 mm	2-3/4	JD-AH174553	110.44
	AH211460			I-U-10	36 mm	2-3/4	JD-AH174553	110.44
QUIK-TATCH	AH216525	-131897		I-U-10	20 mm	32 mm	JD-AH174428	95.59
MODEL 328D								
BOOM	AH210322			I-U-10	45 mm	2-1/2	JD-AH160846	74.92
BUCKET (LH)	AH232326			I,P-UB-1	40 mm		JD-AH149194	80.03
	AH232326			N-N-10		80 mm	JD-AH212092	59.07
BUCKET (RH)	AH232325			I,P-UB-1	40 mm		JD-AH149194	80.03
	AH232325			N-N-10		80 mm	JD-AH212092	59.07
MODEL 328E								
BOOM	AHC15448			I-U-10	45 mm	2-1/2	JD-AH160846	74.92
BUCKET (LH)	AH232326			N-N-10		80 mm	JD-AH212092	59.07
	AH232326			I,P-UB-1	40 mm		JD-AH149194	80.03
BUCKET (RH)	AH232325			N-N-10		80 mm	JD-AH212092	59.07
	AH232325			I,P-UB-1	40 mm		JD-AH149194	80.03
MODEL 329D								
BOOM	AH210322			I-U-10	45 mm	2-1/2	JD-AH160846	74.92
BUCKET (LH)	AH232328			I,P-UB-1	45 mm		JD-AH149813	95.91
	AH232328			N-N-10		90 mm	JD-AH212097	26.38
BUCKET (RH)	AH232327			I,P-UB-1	45 mm		JD-AH149813	95.91
	AH232327			N-N-10		90 mm	JD-AH212097	26.38
MODEL 330G								
BOOM	AHC18593			I,P-UB-1	45 mm		JD-AHC11572	135.92
	AHC18593			N-N-10		63 mm	JD-AH212088	21.44
BUCKET LH	AHC14965	-308099		I,P-UB-1	40 mm		JD-AHC13485	107.05
	AHC14965	-308099		N-N-10		80 mm	JD-AH212092	59.07
	AHC18301	308100-		I,P-UB-1	40 mm		JD-AHC13485	107.05
	AHC18301	308100-		N-N-10,14		80 mm	JD-AHC20488	101.27
BUCKET RH	AHC14964	-308099		I,P-UB-1	40 mm		JD-AHC13485	107.05
	AHC14964	-308099		N-N-10		80 mm	JD-AH212092	59.07
	AHC18298	308100-		I,P-UB-1	40 mm		JD-AHC13485	107.05
	AHC18298	308100-		N-N-10,14		80 mm	JD-AHC20488	101.27
MODEL 332								
BOOM	AH174080	-103752		N-N-10		70 mm	JD-AH212090	20.04
	AH174080	-103752		I,P-UB-1	45 mm		JD-AH149813	95.91
	AH210326	103753-		I,P-UB-1	45 mm		JD-AH149813	95.91
	AH210326	103753-		N-N-10		70 mm	JD-AH212090	20.04
BUCKET	AH210329			N-N-10		80 mm	JD-AH212092	59.07
	AH210329			I,P-UB-1	45 mm		JD-AH149813	95.91
	AH211461			I,P-UB-1	45 mm		JD-AH149813	95.91
	AH211461			N-N-10		80 mm	JD-AH212092	59.07
QUIK-TATCH	AH216525	104831-		I-U-10	20 mm	32 mm	JD-AH174428	95.59
	AH216525	-104830		I-U-10	20 mm	32 mm	JD-AH174428	95.59
MODEL 332D								
BOOM	AH232740			I,P-UB-1	45 mm		JD-AH149813	95.91

LA - Long Arm LGP - Low Ground Pressure LT - Long Track MFWD - Mechanical Front Wheel Drive MP - Multi-Purpose
 IDM - Inside Dozer Mount ODM - Outside Dozer Mount SLF - Super Long Front STD - Straight Dozer WT - Wide Track

FORMERLY LISTED REPAIR PARTS ARE AVAILABLE ONLINE AT WWW.HERCULESUS.COM
 OR BY CONTACTING YOUR REGIONAL HERCULES SALES TEAM.

JOHN DEERE®

Replacement Kits For

JOHN DEERE®

Loaders - Skid Steer								
APPLICATION	CYL #	SERIAL #	Misc	CODE	ROD	BORE	KIT #	List \$
MODEL 332D								
BOOM	AH232740			N-N-10		70 mm	JD-AH212090	20.04
BUCKET (LH)	AH232328			I,P-UB-1	45 mm		JD-AH149813	95.91
	AH232328			N-N-10		90 mm	JD-AH212097	26.38
BUCKET (RH)	AH232327			I,P-UB-1	45 mm		JD-AH149813	95.91
	AH232327			N-N-10		90 mm	JD-AH212097	26.38
MODEL 332E								
BOOM	AH232740			N-N-10		70 mm	JD-AH212090	20.04
	AH232740			I,P-UB-1	45 mm		JD-AHC11572	135.92
BUCKET (LH)	AH232328			N-N-10		90 mm	JD-AH212097	26.38
	AH232328			I,P-UB-1	45 mm		JD-AH149813	95.91
BUCKET (RH)	AH232327			N-N-10		90 mm	JD-AH212097	26.38
	AH232327			I,P-UB-1	45 mm		JD-AH149813	95.91
MODEL 332G								
BOOM	AHC18598			I,P-UB-1	45 mm		JD-AHC11572	135.92
	AHC18598			N-N-14		70 mm	JD-AH212089	60.27
BUCKET LH	AHC14967	-308276		I,P-UB-1	45 mm		JD-AHC11572	135.92
	AHC14967	-308276		N-N-10		90 mm	JD-AH212097	26.38
	AHC18295	308277-		I,P-UB-1	45 mm		JD-AHC11572	135.92
	AHC18295	308277-		N-N-10,14		90 mm	JD-AHC19979	99.26
BUCKET RH	AHC14966	-308276		I,P-UB-1	45 mm		JD-AHC11572	135.92
	AHC14966	-308276		N-N-10		90 mm	JD-AH212097	26.38
	AHC18283	308277-		I,P-UB-1	45 mm		JD-AHC11572	135.92
	AHC18283	308277-		N-N-10,14		90 mm	JD-AHC19979	99.26
MODEL 333D								
BOOM	AH232740			I,P-UB-1	45 mm		JD-AH149813	95.91
	AH232740			N-N-10		70 mm	JD-AH212090	20.04
BUCKET (LH)	AH232328			I,P-UB-1	45 mm		JD-AH149813	95.91
	AH232328			N-N-10		90 mm	JD-AH212097	26.38
BUCKET (RH)	AH232327			I,P-UB-1	45 mm		JD-AH149813	95.91
	AH232327			N-N-10		90 mm	JD-AH212097	26.38
MODEL CT322								
BOOM	AH218241			I-U-10	40 mm	56 mm	JD-AH231937	69.07
	AH218242			I-U-10	40 mm	56 mm	JD-AH231937	69.07
BUCKET	AH218164			I-U-10	32 mm	56 mm	JD-AH231936	75.62
	AH218165			I-U-10	32 mm	56 mm	JD-AH231936	75.62
QUIK-TATCH	AH216525			I-U-10	20 mm	32 mm	JD-AH174428	95.59
MODEL CT332								
BOOM	AH210326			I,P-UB-1	45 mm		JD-AH149813	95.91
	AH210326			N-N-10		70 mm	JD-AH212090	20.04
BUCKET	AH210329			I,P-UB-1	45 mm		JD-AH149813	95.91
	AH210329			N-N-10		80 mm	JD-AH212092	59.07
	AH211461			I,P-UB-1	45 mm		JD-AH149813	95.91
	AH211461			N-N-10		80 mm	JD-AH212092	59.07
QUIK-TATCH	AH216525			I-U-10	20 mm	32 mm	JD-AH174428	95.59
Loaders - Track Skid Steer								
APPLICATION	CYL #	SERIAL #	Misc	CODE	ROD	BORE	KIT #	List \$
MODEL 317G								
BOOM	AHC16509			I,P-UB-1	40 mm		JD-AHC13485	107.05
	AHC16509			N-N-10		63 mm	JD-AH212088	21.44
	AHC16509			Unitized Piston		63 mm	JD-AH137177	213.24
BUCKET LH	AHC16512			I-U-1	36 mm		JD-AHC15630	54.48
	AHC16512			N-N-10		70 mm	JD-AH212090	20.04
	AHC16512			Unitized Piston		70 mm	JD-AH172352	218.08
	AHC16512							
BUCKET RH	AHC16511			I-U-1	36 mm		JD-AHC15630	54.48
	AHC16511			N-N-10		70 mm	JD-AH212090	20.04

LA - Long Arm LGP - Low Ground Pressure LT - Long Track MFWD - Mechanical Front Wheel Drive MP - Multi-Purpose
 IDM - Inside Dozer Mount ODM - Outside Dozer Mount SLF - Super Long Front STD - Straight Dozer WT - Wide Track

JOHN DEERE®

Replacement Kits For

JOHN DEERE®

Loaders - Track Skid Steer								
APPLICATION	CYL #	SERIAL #	Misc	CODE	ROD	BORE	KIT #	List \$
MODEL 317G								
BUCKET RH	AHC16511			Unitized Piston		70 mm	JD-AH172352	218.08
MODEL 319D								
BOOM (LH)	AH218242	-179866		I-U-10	40 mm	56 mm	JD-AH231937	69.07
	AHC10764	179867-185694		I,P-UB-1	40 mm		JD-AH149194	80.03
	AHC10764	179867-185694		N-N-10		2-1/4	JD-AH164325	33.68
	AHC10896			I-U-10	40 mm	56 mm	JD-AH231937	69.07
	AHC10896			N-N-10		2-1/4	JD-AH164325	33.68
BOOM (RH)	AH218241	-179866		I-U-10	40 mm	56 mm	JD-AH231937	69.07
	AHC10763	179867-185694		I,P-UB-1	40 mm		JD-AH149194	80.03
	AHC10763	179867-185694		N-N-10		2-1/4	JD-AH164325	33.68
	AHC10895			I-U-10	40 mm	56 mm	JD-AH231937	69.07
	AHC10895			N-N-10		2-1/4	JD-AH164325	33.68
BUCKET (LH)	AH232322			I,P-UB-1	40 mm		JD-AH149194	80.03
	AH232322			I-U-1	36 mm		JD-AHC15630	54.48
	AH232322		Use w/ 40mm Rod Kit	N-N-10		70 mm	JD-AH212090	20.04
	AH232322		Use w/ 36mm Rod Kit	N-N-10		63 mm	JD-AH212088	21.44
BUCKET (RH)	AH232321			I,P-UB-1	40 mm		JD-AH149194	80.03
	AH232321			I-U-1	36 mm		JD-AHC15630	54.48
	AH232321		Use w/ 36mm Rod Kit	N-N-10		63 mm	JD-AH212088	21.44
	AH232321		Use w/ 40mm Rod Kit	N-N-10		70 mm	JD-AH212090	20.04
MODEL 319E								
BOOM	AHC14647			I,P-UB-1	40 mm		JD-AHC13485	107.05
	AHC14647			N-N-10		63 mm	JD-AH212088	21.44
	AHC14647			Unitized Piston		63 mm	JD-AH137177	213.24
BUCKET LH	AHC13933			I-U-1	36 mm		JD-AHC15630	54.48
	AHC13933			N-N-10		63 mm	JD-AH212088	21.44
	AHC13933			Unitized Piston		63 mm	JD-AH166138	207.30
BUCKET RH	AHC13932			I-U-1	36 mm		JD-AHC15630	54.48
	AHC13932			N-N-10		63 mm	JD-AH212088	21.44
	AHC13932			Unitized Piston		63 mm	JD-AH166138	207.30
MODEL 323E								
BOOM	AHC14648			I,P-UB-1	45 mm		JD-AHC11572	135.92
	AHC14648			N-N-10		70 mm	JD-AH212090	20.04
BUCKET LH	AHC13934			I,P-UB-1	40 mm		JD-AHC13485	107.05
	AHC13934			N-N-14		70 mm	JD-AH212089	60.27
BUCKET RH	AHC13935			I,P-UB-1	40 mm		JD-AHC13485	107.05
	AHC13935			N-N-14		70 mm	JD-AH212089	60.27
MODEL 324E								
BOOM	AHC17478			I,P-UB-1	45 mm		JD-AHC11572	135.92
	AHC17478			N-N-10		70 mm	JD-AH212090	20.04
	AHC17478			Unitized Piston		70 mm	JD-RE34084	309.46
BUCKET LH	AHC17488			I,P-U-1	36 mm		JD-AHC18638	88.54
	AHC17488			N-N-10		70 mm	JD-AH212090	20.04
	AHC17488			Unitized Piston		70 mm	JD-AH172352	218.08
BUCKET RH	AHC17485			I,P-U-1	36 mm		JD-AHC18638	88.54
	AHC17485			N-N-10		70 mm	JD-AH212090	20.04
	AHC17485			Unitized Piston		70 mm	JD-AH172352	218.08
MODEL 325G								
BOOM	JD-AHC17478			I,P-UB-1	45 mm		JD-AHC11572	135.92
	JD-AHC17478			N-N-10		70 mm	JD-AH212090	20.04
	JD-AHC17478			Unitized Piston		70 mm	JD-RE34084	309.46
BUCKET LH	JD-AHC17485			I,P-U-1	36 mm		JD-AHC18638	88.54

LA - Long Arm LGP - Low Ground Pressure LT - Long Track MFWD - Mechanical Front Wheel Drive MP - Multi-Purpose
 IDM - Inside Dozer Mount ODM - Outside Dozer Mount SLF - Super Long Front STD - Straight Dozer WT - Wide Track

FORMERLY LISTED REPAIR PARTS ARE AVAILABLE ONLINE AT WWW.HERCULESUS.COM
 OR BY CONTACTING YOUR REGIONAL HERCULES SALES TEAM.

Replacement Kits For

JOHN DEERE®

Loaders - Track Skid Steer

APPLICATION	CYL #	SERIAL #	Misc	CODE	ROD	BORE	KIT #	List \$
MODEL 325G								
BUCKET LH	JD-AHC17485			N-N-10		70 mm	JD-AH212090	20.04
	JD-AHC17485			Unitized Piston		70 mm	JD-AH172352	218.08
BUCKET RH	JD-AHC17488			I,P-U-1	36 mm		JD-AHC18638	88.54
	JD-AHC17488			N-N-10		70 mm	JD-AH212090	20.04
	JD-AHC17488			Unitized Piston		70 mm	JD-AH172352	218.08
MODEL 329E								
BOOM	AHC15448			I-U-10	45 mm	2-1/2	JD-AH160846	74.92
BUCKET (LH)	AH232328			I,P-UB-1	45 mm		JD-AH149813	95.91
	AH232328			N-N-10		90 mm	JD-AH212097	26.38
BUCKET (RH)	AH232327			I,P-UB-1	45 mm		JD-AH149813	95.91
	AH232327			N-N-10		90 mm	JD-AH212097	26.38
MODEL 331G								
BOOM	AHC18593			I,P-UB-1	45 mm		JD-AHC11572	135.92
	AHC18593			N-N-10		63 mm	JD-AH212088	21.44
	AHC18593			Unitized Piston		63 mm	JD-AH160647	213.24
BUCKET LH	AHC14967	-308276		I,P-UB-1	45 mm		JD-AHC11572	135.92
	AHC14967	-308276		N-N-10		90 mm	JD-AH212097	26.38
	AHC14967	-308276		Wear Ring		90 mm	JD-R81776	7.74
	AHC18295	308277-		I,P-UB-1	45 mm		JD-AHC11572	135.92
BUCKET RH	AHC18295	308277-		N-N-10,14		90 mm	JD-AHC19979	99.26
	AHC14966	-308276		I,P-UB-1	45 mm		JD-AHC11572	135.92
	AHC14966	-308276		N-N-10		90 mm	JD-AH212097	26.38
	AHC14966	-308276		Wear Ring		90 mm	JD-R81776	7.74
	AHC18283	308277-		I,P-UB-1	45 mm		JD-AHC11572	135.92
AHC18283	308277-		N-N-10,14		90 mm	JD-AHC19979	99.26	
MODEL 333E								
BOOM	AH232740			I,P-UB-1	45 mm		JD-AHC11572	135.92
	AH232740			N-N-10		70 mm	JD-AH212090	20.04
BUCKET (LH)	AH232328			I,P-UB-1	45 mm		JD-AH149813	95.91
	AH232328			N-N-10		90 mm	JD-AH212097	26.38
BUCKET (RH)	AH232327			I,P-UB-1	45 mm		JD-AH149813	95.91
	AH232327			N-N-10		90 mm	JD-AH212097	26.38
MODEL 333G								
BOOM	AHC18598			I,P-UB-1	45 mm		JD-AHC11572	135.92
	AHC18598			N-N-14		70 mm	JD-AH212089	60.27
BUCKET LH	ACH18295	308277-		I,P-UB-1	45 mm		JD-AHC11572	135.92
	ACH18295	308277-		N-N-10,14		90 mm	JD-AHC19979	99.26
	AHC14967	-308276		I,P-UB-1	45 mm		JD-AHC11572	135.92
	AHC14967	-308276		N-N-10		90 mm	JD-AH212097	26.38
BUCKET RH	AHC14967	-308276		Wear Ring		90 mm	JD-R81776	7.74
	AHC14966	-308276		I,P-UB-1	45 mm		JD-AHC11572	135.92
	AHC14966	-308276		N-N-10		90 mm	JD-AH212097	26.38
	AHC14966	-308276		Wear Ring		90 mm	JD-R81776	7.74
	AHC18283	308277-		I,P-UB-1	45 mm		JD-AHC11572	135.92
AHC18283	308277-		N-N-10,14		90 mm	JD-AHC19979	99.26	
Loaders - Wheel								
APPLICATION	CYL #	SERIAL #	Misc	CODE	ROD	BORE	KIT #	List \$
MODEL 204K								
BOOM	LW12219933			I-BB-10	60 mm	110 mm	JD-LW11644030	318.93
BUCKET	LW12220855			I-BB-10	50 mm	90 mm	JD-LW11644054	222.41
COUPLER	LW12246807			I-UB-15	40 mm	60 mm	JD-LW11651825	217.08
STEERING	LW12226840	054082-		P-BB-10	32 mm	63 mm	JD-LW11644469	145.09
TILT	LW12220855			I-BB-10	50 mm	90 mm	JD-LW11644054	222.41
MODEL 204L								
BOOM	LW12219933			I-BB-10	60 mm	110 mm	JD-LW11644030	318.93

LA - Long Arm LGP - Low Ground Pressure LT - Long Track MFWD - Mechanical Front Wheel Drive MP - Multi-Purpose
 IDM - Inside Dozer Mount ODM - Outside Dozer Mount SLF - Super Long Front STD - Straight Dozer WT - Wide Track

Replacement Kits For

JOHN DEERE®

Loaders - Wheel

APPLICATION	CYL #	SERIAL #	Misc	CODE	ROD	BORE	KIT #	List \$
MODEL 204L								
BUCKET	LW12220855			I-BB-10	50 mm	90 mm	JD-LW11644054	222.41
COUPLER	LW12246807			I-UB-15	40 mm	60 mm	JD-LW11651825	217.08
STEERING	LW12226840	054082-		P-BB-10	32 mm	63 mm	JD-LW11644469	145.09
TILT	LW12220855			I-BB-10	50 mm	90 mm	JD-LW11644054	222.41
MODEL 244J								
BOOM LIFT	AT310186	-20477		N-N-10		80 mm	JD-AT313779	36.47
	LW8924653	20478-		I-BB-10	40 mm	80 mm	JD-LW10450034	215.91
BUCKET TILT	LW8924656	20737-		I-BB-10	40 mm	80 mm	JD-LW10450034	215.91
	LW8924656	-20736		I-BB-1	40 mm		JD-AT313782	365.34
STEERING	AT310407	-20606		N-N-10		70 mm	JD-AT313773	31.82
	AT310407	-20606		I-BB-1	30 mm		JD-AT313783	82.91
	LW8924660	20607-		I-BB-10	30 mm	70 mm	JD-LW10450066	157.46
WORKSITE PRO QUICK-TATCH	AH216525			I-U-10	20 mm	32 mm	JD-AH174428	95.59
MODEL 244K								
BOOM	LW8924653			I-BB-10	40 mm	80 mm	JD-LW10450034	215.91
BUCKET	LW8924656			I-BB-10	40 mm	80 mm	JD-LW10450034	215.91
STEERING	LW8924660			I-BB-10	30 mm	70 mm	JD-LW10450066	157.46
MODEL 244K II								
BOOM	LW8924653			I-BB-10	40 mm	80 mm	JD-LW10450034	215.91
BUCKET	LW8924656			I-BB-10	40 mm	80 mm	JD-LW10450034	215.91
QUICK - CHANGE	LW12246807			I-UB-15	40 mm	60 mm	JD-LW11651825	217.08
STEERING	LW8924660			I-BB-10	30 mm	70 mm	JD-LW10450066	157.46
MODEL 244L								
BOOM	LW12204876			I-BB-10	40	80	JD-LW12233925	114.06
BUCKET	LW12204870			I-BB-10	40	80	JD-LW12233925	114.06
QUICK CHANGE	LW12228495	- 56558		I-UB-15	40 mm	60 mm	JD-LW11651825	217.08
	LW12246735	56559 -		I-UB-15	40 mm	60 mm	JD-LW11651825	217.08
STEERING	LW12204880			I-BB-10	30	70	JD-LW12233904	121.86
MODEL 304K								
BOOM	LW11182872	-039869		I-BB-10	60 mm	120 mm	JD-LW11644025	344.29
	LW12219939	039870-		I-BB-10	60 mm	120 mm	JD-LW11644025	344.29
BUCKET	LW12220874			I-BB-10	50 mm	100 mm	JD-LW12209547	217.78
QUICK CHANGE	LW12246807			I-UB-15	40 mm	60 mm	JD-LW11651825	217.08
STEERING	LW12226840			P-BB-10	32 mm	63 mm	JD-LW11644469	145.09
MODEL 304L								
BOOM	LW11182872	-039869		I-BB-10	60 mm	120 mm	JD-LW11644025	344.29
	LW12219939	039870-		I-BB-10	60 mm	120 mm	JD-LW11644025	344.29
STEERING	LW11320519			P-BB-10	32 mm	63 mm	JD-LW11644469	145.09
MODEL 324J								
BOOM	LW8924655			I-BB-10	50 mm	100 mm	JD-LW10450025	138.87
BUCKET	LW8924659			I-BB-10	50 mm	100 mm	JD-LW10450025	138.87
QUICK CHANGE	LW12246807			I-UB-15	40 mm	60 mm	JD-LW11651825	217.08
QUICK COUPLER	LW12203695	044674-		I-UB-15	40 mm	63 mm	JD-AT313786	129.64
QUICK DISCONNECT	AT310167	-44673		I-UB-15	40 mm	63 mm	JD-AT313786	129.64
STEERING	LW8924660			I-BB-10	30 mm	70 mm	JD-LW10450066	157.46
WORKSITE PRO QUICKTATCH	AH216525			I-U-10	20 mm	32 mm	JD-AH174428	95.59
MODEL 324K								
BOOM	LW8924655			I-BB-10	50 mm	100 mm	JD-LW10450025	138.87
BUCKET	LW8924659			I-BB-10	50 mm	100 mm	JD-LW10450025	138.87
STEERING	LW8924660			I-BB-10	30 mm	70 mm	JD-LW10450066	157.46
TILT	LW12202337			I-BB-10	50 mm	100 mm	JD-LW12209547	217.78
MODEL 324L								
BOOM	LW12204878		replaces LW11644055	I-BB-10	50 mm	100 mm	JD-LW12209547	217.78

LA - Long Arm LGP - Low Ground Pressure LT - Long Track MFWD - Mechanical Front Wheel Drive MP - Multi-Purpose
 IDM - Inside Dozer Mount ODM - Outside Dozer Mount SLF - Super Long Front STD - Straight Dozer WT - Wide Track

FORMERLY LISTED REPAIR PARTS ARE AVAILABLE ONLINE AT WWW.HERCULESUS.COM
 OR BY CONTACTING YOUR REGIONAL HERCULES SALES TEAM.

JOHN DEERE®

Replacement Kits For

JOHN DEERE®

Loaders - Wheel								
APPLICATION	CYL #	SERIAL #	Misc	CODE	ROD	BORE	KIT #	List \$
MODEL 324L								
BOOM (High Lift)	LW12229590			I-BB-10	50 mm	100 mm	JD-LW12209547	217.78
BUCKET	LW12204874		replaces LW11644055	I-BB-10	50 mm	100 mm	JD-LW12209547	217.78
QUICK CHANGE	LW12228495	- 56491		I-UB-15	40 mm	60 mm	JD-LW11651825	217.08
	LW12246735	56492 -		I-UB-15	40 mm	60 mm	JD-LW11651825	217.08
STEERING	LW12204880			I-BB-10	30	70	JD-LW12233904	121.86
MODEL 444G								
Bucket	AT204102			P-U-10	60 mm	120 mm	JD-AT204236	330.03
Lift	AT204101			P-U-10	60 mm	120 mm	JD-AT164742	317.31
Steering	AT204032			P-U-10	35 mm	65 mm	JD-AT164758	153.26
MODEL 444H								
BOOM	AH152902	-570411		P-UB-1	56 mm		JD-AH149814	94.40
	AH152902	-570411		N-N-14		100 mm	JD-AH212101	129.27
	AH216284	570412-		P-UB-1	56 mm		JD-AH149814	94.40
	AH216284	Field Replacement		P-UB-1	56 mm		JD-AH149814	94.40
	AH216284	570412-		N-N-14		100 mm	JD-AH212101	129.27
	AH216284	Field Replacement		N-N-14		100 mm	JD-AH212101	129.27
BUCKET	AH174752	-577511 : 577512-		P-UB-1	63 mm		JD-AH149815	96.10
	AH174752	-577511 : 577512-		N-N-14		115 mm	JD-AH212103	191.55
STEERING	AH147585	-568518		I-UB-14	32 mm	56 mm	JD-AH153496	120.70
	AH205056	568519-		P-UB-1	32 mm		JD-AH161589	75.94
	AH205056	568519-		N-N-14		56 mm	JD-AH161591	95.58
MODEL 444H LL								
BOOM	AH149101	-570613		P-UB-1	63 mm		JD-AH149815	96.10
	AH149101	-570613		N-N-14		110 mm	JD-AH163670	123.44
	AT152715	570614-		P-UB-1	63 mm		JD-AH149815	96.10
	AT152715	570614-		N-N-14		110 mm	JD-AH163670	123.44
BUCKET	AH152715			P-UB-1	63 mm		JD-AH149815	96.10
	AH152715			N-N-14		100 mm	JD-AH212101	129.27
STEERING	AH147585			I-UB-14	32 mm	56 mm	JD-AH153496	120.70
	AH205056			P-UB-1	32 mm		JD-AH161589	75.94
	AH205056			N-N-14		56 mm	JD-AH161591	95.58
MODEL 444J								
BOOM (Powerllel™)	AH209498	611275-		P-UB-1	56 mm		JD-AH149814	94.40
	AH209498	-611274		P-UB-1	56 mm		JD-AH149814	94.40
	AH209498	611275-		N-N-14		100 mm	JD-AH212101	129.27
	AH209498	-611274		N-N-14		100 mm	JD-AH212101	129.27
BOOM (Tool Carrier)	AH163628	-611274		P-UB-1	63 mm		JD-AH149815	96.10
	AH163628	-611274		N-N-14		110 mm	JD-AH163670	123.44
BOOM (Z-Bar)	AH163627	-595722		P-UB-1	56 mm		JD-AH149814	94.40
	AH163627	-595722		N-N-14		100 mm	JD-AH212101	129.27
	AH216284	595723-		P-UB-1	56 mm		JD-AH149814	94.40
	AH216284	611275-		P-UB-1	56 mm		JD-AH149814	94.40
	AH216284	611275-		N-N-14		100 mm	JD-AH212101	129.27
	AH216284	595723-		N-N-14		100 mm	JD-AH212101	129.27
BUCKET	AH174752	-611274		P-UB-1	63 mm		JD-AH149815	96.10
	AH174752	611275-		P-UB-1	63 mm		JD-AH149815	96.10
	AH174752	611275-		N-N-14		115 mm	JD-AH212103	191.55
	AH174752	-611274		N-N-14		115 mm	JD-AH212103	191.55
BUCKET (Powerllel™)	AH154570	611275-		P-UB-1	75 mm		JD-AH154570	109.36
	AH154570	611275-		N-N-14		125 mm	JD-AH149848	269.84
	AH208164	-611274		P-UB-1	75 mm		JD-AH154570	109.36
	AH208164	-611274		N-N-14		125 mm	JD-AH149848	269.84
STEERING	AH205056	-611274		P-UB-1	32 mm		JD-AH161589	75.94
	AH205056	611275-		P-UB-1	32 mm		JD-AH161589	75.94

LA - Long Arm LGP - Low Ground Pressure LT - Long Track MFWD - Mechanical Front Wheel Drive MP - Multi-Purpose
 IDM - Inside Dozer Mount ODM - Outside Dozer Mount SLF - Super Long Front STD - Straight Dozer WT - Wide Track

JOHN DEERE®

Replacement Kits For

JOHN DEERE®

JOHN DEERE®

Loaders - Wheel								
APPLICATION	CYL #	SERIAL #	Misc	CODE	ROD	BORE	KIT #	List \$
MODEL 444J								
STEERING	AH205056	-611274		N-N-14		56 mm	JD-AH161591	95.58
	AH205056	611275-		N-N-14		56 mm	JD-AH161591	95.58
TILT (Tool Carrier)	AH152715	-611274		P-UB-1	63 mm		JD-AH149815	96.10
	AH152715	-611274		N-N-14		100 mm	JD-AH149844	135.84
MODEL 444K								
BOOM (PowerllelTM)	AH209498			P-UB-1	56 mm		JD-AH149814	94.40
	AH209498	642101-		P-UB-1	56 mm		JD-AH149814	94.40
	AH209498	-642100		P-UB-1	56 mm		JD-AH149814	94.40
	AH209498			N-N-14		100 mm	JD-AH212101	129.27
	AH209498	642101-		N-N-14		100 mm	JD-AH212101	129.27
	AH209498	-642100		N-N-14		100 mm	JD-AH212101	129.27
BOOM (Z-Bar)	AH209498	642101-		P-UB-1	56 mm		JD-AH149814	94.40
	AH209498	-642100		P-UB-1	56 mm		JD-AH149814	94.40
	AH209498			P-UB-1	56 mm		JD-AH149814	94.40
	AH209498			N-N-14		100 mm	JD-AH212101	129.27
	AH209498	-642100		N-N-14		100 mm	JD-AH212101	129.27
	AH209498	642101-		N-N-14		100 mm	JD-AH212101	129.27
BUCKET (PowerllelTM)	AH208164	642101-		P-UB-1	75 mm		JD-AH154570	109.36
	AH208164	-642100		P-UB-1	75 mm		JD-AH154570	109.36
	AH208164			P-UB-1	75 mm		JD-AH154570	109.36
	AH208164			N-N-14		125 mm	JD-AH149848	269.84
	AH208164	-642100		N-N-14		125 mm	JD-AH149848	269.84
	AH208164	642101-		N-N-14		125 mm	JD-AH149848	269.84
BUCKET (Z-Bar)	AH174752			P-UB-1	63 mm		JD-AH149815	96.10
	AH174752	-642100		P-UB-1	63 mm		JD-AH149815	96.10
	AH174752	642101-		P-UB-1	63 mm		JD-AH149815	96.10
	AH174752			N-N-14		115 mm	JD-AH212103	191.55
	AH174752	-642100		N-N-14		115 mm	JD-AH212103	191.55
	AH174752	642101-		N-N-14		115 mm	JD-AH212103	191.55
STEERING	AHC10900			P-UB-1	32 mm		JD-AH161589	75.94
	AHC10900	-642100		P-UB-1	32 mm		JD-AH161589	75.94
	AHC10900	642101-		P-UB-1	32 mm		JD-AH161589	75.94
	AHC10900	-642100		N-N-14		56 mm	JD-AH161591	95.58
	AHC10900	642101-		N-N-14		56 mm	JD-AH161591	95.58
	AHC10900			N-N-14		56 mm	JD-AH161591	95.58
MODEL 524K								
BOOM	AH227328	-642245		P-UB-1	63 mm		JD-AH149815	96.10
	AH227328	-642245		N-N-14		115 mm	JD-AH163671	172.38
BOOM (Z-Bar)	AH227921			P-UB-1	63 mm		JD-AH149815	96.10
	AH227921			N-N-14		120 mm	JD-AH149847	206.53
BUCKET	AH227329	-642245		P-UB-1	63 mm		JD-AH149815	96.10
	AH227329	-642245		N-N-14		115 mm	JD-AH212103	191.55
BUCKET (Z-Bar)	AH227921			P-UB-1	75 mm		JD-AH154570	109.36
	AH227921			N-N-14		125 mm	JD-AH149848	269.84
STEERING	AH227102	-642245		I,P-UB-1	40 mm		JD-AH149194	80.03
	AH227102			I,P-UB-1	40 mm		JD-AH149194	80.03
	AH227102	-642245		N-N-14		63 mm	JD-AH212087	145.13
	AH227102			N-N-14		63 mm	JD-AH212087	145.13
MODEL 524K II								
BOOM	AH227328			P-UB-1	63 mm		JD-AHC13362	132.05
	AH227328			N-N-10,14		115 mm	JD-AHC21923	109.96
BOOM (Z-Bar)	AHC14240			P-UB-1	63 mm		JD-AHC13362	132.05
	AHC14240			N-N-10,14		115 mm	JD-AHC21923	109.96
BUCKET	AH227329			P-UB-1	63 mm		JD-AHC13362	132.05
	AH227329			N-N-10,14		115 mm	JD-AHC21922	109.62

LA - Long Arm LGP - Low Ground Pressure LT - Long Track MFWD - Mechanical Front Wheel Drive MP - Multi-Purpose
 IDM - Inside Dozer Mount ODM - Outside Dozer Mount SLF - Super Long Front STD - Straight Dozer WT - Wide Track

FORMERLY LISTED REPAIR PARTS ARE AVAILABLE ONLINE AT WWW.HERCULESUS.COM
 OR BY CONTACTING YOUR REGIONAL HERCULES SALES TEAM.

Replacement Kits For

JOHN DEERE®

Loaders - Wheel								
APPLICATION	CYL #	SERIAL #	Misc	CODE	ROD	BORE	KIT #	List \$
MODEL 524K II								
BUCKET(Z-Bar)	AHC14241			P-UB-1	63 mm		JD-AHC13362	132.05
	AHC14241			N-N-10,14		115 mm	JD-AHC21923	109.96
HI-VIS COUPLER	AHC14385			I-U-10	1-1/4	2-1/2	JD-AHC14511	194.84
QUICK COUPLER	AH223400			I-U-10	1 1/4	2 1/4	JD-AH226589	72.16
STEERING	AHC10904			I,P-UB-1	40 mm		JD-AHC13485	107.05
	AHC10904			N-N-10		63 mm	JD-AHC21126	96.63
	AHC17328			I,P-UB-1	40 mm		JD-AHC13485	107.05
	AHC17328			N-N-10		63 mm	JD-AHC21126	96.63
MODEL 524L								
BOOM	AHC17333			P-UB-1	63 mm		JD-AHC13362	132.05
	AHC17333			N-N-10,14		115 mm	JD-AHC21923	109.96
BOOM (Tool Carrier)	AHC19344			P-UB-1	63 mm		JD-AHC13362	132.05
	AHC19344			N-N-10,14		115 mm	JD-AHC21923	109.96
BOOM (Z-Bar)	AHC17333			N-N-10,14		115 mm	JD-AHC21923	109.96
BUCKET(High Lift Plus)	AHC19353			P-UB-1	75 mm		JD-AHC13542	176.62
	AHC19353			N-N-14		125 mm	JD-AHC16760	196.75
BUCKET(High Lift)	AHC19361			P-UB-1	75 mm		JD-AHC13542	176.62
	AHC19361			N-N-14		125 mm	JD-AHC16760	196.75
BUCKET(Tool Carrier)	AHC17463			P-UB-1	70 mm		JD-AHC16724	151.22
	AHC17463			N-N-10,14		110 mm	JD-AHC20489	118.40
BUCKET(Z-Bar)	AHC19358			P-UB-1	75 mm		JD-AHC13542	176.62
	AHC19358			P-UB-1	63 mm		JD-AHC13362	132.05
	AHC19358			N-N-14		125 mm	JD-AHC16760	196.75
COUPLER (Z-Bar)	AHC19765			I-U-10	1-1/4	2-1/4	JD-AHC19209	64.46
HI-VIS COUPLER	AHC19764			I-U-10	1-1/4	2-1/2	JD-AHC14511	194.84
HI-VIS COUPLER (Z-Bar)	AHC19764			I-U-10	1-1/4	2-1/2	JD-AHC14511	194.84
STEERING	AHC22864			I,P-UB-1	40 mm		JD-AHC13485	107.05
	AHC22864			N-N-10		63 mm	JD-AHC21126	96.63
MODEL 544G								
BOOM				P-UB-1	63 mm		JD-RE25151	175.66
				N-N-14		125 mm	JD-AH137208	210.82
BUCKET				P-UB-1	63 mm		JD-RE25151	175.66
				N-N-14		140 mm	JD-AH137209	233.01
STEERING				P-UB-1	40 mm		JD-RE20433	92.26
				N-N-14		70 mm	JD-RE20428	68.40
MODEL 544H								
BOOM	AH147533	-570068		P-UB-1	63 mm		JD-AH149815	96.10
	AH147533	-570068		N-N-14		115 mm	JD-AH163671	172.38
	AH163629	570069-		P-UB-1	63 mm		JD-AH149815	96.10
	AH163629	570069-		N-N-14		115 mm	JD-AH163671	172.38
BUCKET	AH152676	-579834		P-UB-1	75 mm		JD-AH154570	109.36
	AH152676	-579834		N-N-14		125 mm	JD-AH149848	269.84
	AH172986	579835-		P-UB-1	75 mm		JD-AH154570	109.36
	AH172986	579835-		N-N-14		125 mm	JD-AH149848	269.84
STEERING	AH147586	-568522		P-UB-14	40 mm	63 mm	JD-AH153497	208.06
	AH160118	568523-589817		I,P-UB-1	40 mm		JD-AH149194	80.03
	AH160118	568523-589817		N-N-14		63 mm	JD-AH212087	145.13
	AH211379	589818-		I,P-UB-1	40 mm		JD-AH149194	80.03
	AH211379	589818-		N-N-14		63 mm	JD-AH212087	145.13
MODEL 544H LL								
BOOM	AH147533	-570068		P-UB-1	63 mm		JD-AH149815	96.10
	AH147533	-570068		N-N-14		115 mm	JD-AH163671	172.38
	AH163629	570069-		P-UB-1	63 mm		JD-AH149815	96.10
	AH163629	570069-		N-N-14		115 mm	JD-AH163671	172.38
BUCKET	AH153921	All		P-UB-1	70 mm		JD-AH156466	86.62

LA - Long Arm LGP - Low Ground Pressure LT - Long Track MFWD - Mechanical Front Wheel Drive MP - Multi-Purpose
 IDM - Inside Dozer Mount ODM - Outside Dozer Mount SLF - Super Long Front STD - Straight Dozer WT - Wide Track

Replacement Kits For

JOHN DEERE®

Loaders - Wheel								
APPLICATION	CYL #	SERIAL #	Misc	CODE	ROD	BORE	KIT #	List \$
MODEL 544H LL								
BUCKET	AH153921	All		N-N-14		110 mm	JD-AH149845	171.33
STEERING	AH147586	-568522		P-UB-14	40 mm	63 mm	JD-AH153497	208.06
	AH160118	568523-589817		I,P-UB-1	40 mm		JD-AH149194	80.03
	AH160118	568523-589817		N-N-14		63 mm	JD-AH212087	145.13
	AH211379	589818-		I,P-UB-1	40 mm		JD-AH149194	80.03
	AH211379	589818-		N-N-14		63 mm	JD-AH212087	145.13
MODEL 544J								
BOOM	AH206281	-611799 ; 611800-		P-UB-1	63 mm		JD-AH149815	96.10
	AH206281	-611799 ; 611800-		N-N-14		120 mm	JD-AH149847	206.53
BOOM (Powerllel™)	AH208215	-611799 ; 611800-		P-UB-1	63 mm		JD-AH149815	96.10
	AH208215	-611799 ; 611800-		N-N-14		115 mm	JD-AH163671	172.38
BOOM (Tool Carrier)	AH163629	-611799		P-UB-1	63 mm		JD-AH149815	96.10
	AH163629	-611799		N-N-14		115 mm	JD-AH163671	172.38
BUCKET	AH172986	-611799 ; 611800-		P-UB-1	75 mm		JD-AH154570	109.36
	AH172986	-611799 ; 611800-		N-N-14		125 mm	JD-AH149848	269.84
BUCKET (Powerllel™)	AH225345	-611799 ; 611800-		P-UB-1	80 mm		JD-AH156874	185.96
	AH225345	-611799 ; 611800-		N-N-14		140 mm	JD-AH216299	239.97
STEERING	AH211379	-611799 ; 611800-		I,P-UB-1	40 mm		JD-AH149194	80.03
	AH211379	-611799 ; 611800-		N-N-14		63 mm	JD-AH212087	145.13
MODEL 544K								
BOOM	AH208215			P-UB-1	63 mm		JD-AH149815	96.10
	AH208215			N-N-14		115 mm	JD-AH163671	172.38
	AH227921			P-UB-1	63 mm		JD-AH149815	96.10
	AH227921			N-N-14		120 mm	JD-AH149847	206.53
BUCKET	AH225345	-637006		P-UB-1	80 mm		JD-AH156874	185.96
	AH225345	-637006		N-N-14		140 mm	JD-AH216299	239.97
	AH227099			P-UB-1	75 mm		JD-AH154570	109.36
	AH227099			N-N-14		125 mm	JD-AH149848	269.84
	AHC10102	637007-		P-UB-1	80 mm		JD-AH156874	185.96
	AHC10102	637007-		N-N-14		140 mm	JD-AH216299	239.97
HI-VIS COUPLER	AH222122			I-U-1	32 mm		JD-AH148823	66.71
	AH222122			N-N-10		63 mm	JD-AH212088	21.44
STEERING	AH227102			I,P-UB-1	40 mm		JD-AH149194	80.03
	AH227102			N-N-14		63 mm	JD-AH212087	145.13
MODEL 544L								
BOOM	AHC19349			P-UB-1	63 mm		JD-AHC13362	132.05
BUCKET (High Lift Plus)	AHC17867			P-UB-1	80 mm		JD-AHC16725	112.74
	AHC17867			N-N-10,14		140 mm	JD-AHC20315	205.72
	AHC17867			N-N-14		140 mm	JD-AHC15497	73.09
BUCKET (High Lift)	AHC17937			P-UB-1	80 mm		JD-AHC16725	112.74
	AHC17937			N-N-10,14		140 mm	JD-AHC20315	205.72
	AHC17937			N-N-14		140 mm	JD-AHC15497	73.09
BUCKET (Z-Bar)	AHC17873			P-UB-1	80 mm		JD-AHC16725	112.74
	AHC17873			P-UB-1	63 mm		JD-AHC13362	132.05
	AHC17873			N-N-10,14		140 mm	JD-AHC20315	205.72
	AHC17873			N-N-14		120 mm	JD-AH149847	206.53
STEERING	AHC17328			I,P-UB-1	40 mm		JD-AHC13485	107.05
	AHC17328			N-N-10		63 mm	JD-AHC21126	96.63
	AHC17328			N-N-14		63 mm	JD-AH212087	145.13
MODEL 624E, 624G								
BOOM	AH136535	All		P-UB-1	63 mm		JD-RE25151	175.66
	AH136535	All		N-N-14		140 mm	JD-AH137209	233.01
BUCKET	AH136542	All		P-UB-1	80 mm		JD-RE25152	257.14
	AH136542	All		N-N-14		160 mm	JD-AH137210	203.09
STEERING	RE36926	All		P-UB-1	45 mm		JD-RE20434	92.84

LA - Long Arm LGP - Low Ground Pressure LT - Long Track MFWD - Mechanical Front Wheel Drive MP - Multi-Purpose
 IDM - Inside Dozer Mount ODM - Outside Dozer Mount SLF - Super Long Front STD - Straight Dozer WT - Wide Track

FORMERLY LISTED REPAIR PARTS ARE AVAILABLE ONLINE AT WWW.HERCULESUS.COM
 OR BY CONTACTING YOUR REGIONAL HERCULES SALES TEAM.

JOHN DEERE®

Replacement Kits For

JOHN DEERE®

Loaders - Wheel								
APPLICATION	CYL #	SERIAL #	Misc	CODE	ROD	BORE	KIT #	List \$
MODEL 624E, 624G								
STEERING	RE36926	All		N-N-14		80 mm	JD-RE31138	85.75
MODEL 624H								
BOOM	AH156875	-570361		N-N-14		125 mm	JD-AH163672	184.07
	AH163630	570362-		N-N-14		125 mm	JD-AH163672	184.07
	AT311670			P-UB-1	63 mm		JD-AH149815	96.10
	AT311670			N-N-14		125 mm	JD-AH163672	184.07
BOOM (Tool Carrier & Log Loader)	AH154122	-570463		N-N-14		125 mm	JD-AH163672	184.07
	AH163631	570464-		N-N-14		125 mm	JD-AH163672	184.07
BUCKET				P-UB-1	80 mm		JD-AH156874	185.96
		-582050		N-N-14		140 mm	JD-AH137209	233.01
		582051-		N-N-14		140 mm	JD-AH216299	239.97
	AH210133			P-UB-1	80 mm		JD-AH156874	185.96
	AH210133			N-N-14		140 mm	JD-AH137209	233.01
	AT311652	-582050		P-UB-1	80 mm		JD-AH156874	185.96
	AT311652	-582050		N-N-14		140 mm	JD-AH137209	233.01
STEERING	AH212033			I,P-UB-1	40 mm		JD-AH149194	80.03
	AH212033			N-N-14		70 mm	JD-AH212089	60.27
MODEL 624J								
BOOM	AH163630	611797-		P-UB-1	63 mm		JD-AH149815	96.10
	AH163630	-611796		P-UB-1	63 mm		JD-AH149815	96.10
	AH163630	611797-		N-N-14		125 mm	JD-AH163672	184.07
	AH163630	-611796		N-N-14		125 mm	JD-AH163672	184.07
	AH163631	-611796		P-UB-1	63 mm		JD-AH149815	96.10
BOOM (Powerllel™)	AH208687	611797-		P-UB-1	63 mm		JD-AH149815	96.10
	AH208687	-611796		P-UB-1	63 mm		JD-AH149815	96.10
	AH208687	-611796		N-N-14		125 mm	JD-AH149848	269.84
	AH208687	611797-		N-N-14		125 mm	JD-AH149848	269.84
BOOM (Tool Carrier)	AH163631	-611796		P-UB-1	63 mm		JD-AH149815	96.10
	AH163631			N-N-14		125 mm	JD-AH163672	184.07
BUCKET	AH225343	-611796		P-UB-1	80 mm		JD-AH156874	185.96
	AH225343	611797-		P-UB-1	80 mm		JD-AH156874	185.96
	AH225343	611797-		N-N-14		140 mm	JD-AH216299	239.97
BUCKET (Powerllel™)	AH225717	611797-		P-UB-1	95 mm		JD-AH159192	255.33
	AH225717	-611796		P-UB-1	95 mm		JD-AH159192	255.33
	AH225717	611797-		N-N-14		160 mm	JD-AH137210	203.09
	AH225717	-611796		N-N-14		160 mm	JD-AH137210	203.09
STEERING	AH212033	-611796		I,P-UB-1	40 mm		JD-AH149194	80.03
	AH212033	611797-		I,P-UB-1	40 mm		JD-AH149194	80.03
	AH212033	611797-		N-N-14		70 mm	JD-AH212089	60.27
	AH212033	-611796		N-N-14		70 mm	JD-AH212089	60.27
TILT	AH154123	-611796		P-UB-1	70 mm		JD-AH156466	86.62
	AH154123	-611796		N-N-14		115 mm	JD-AH212103	191.55
TILT (Tool Carrier)	AH154123	-611796		P-UB-1	70 mm		JD-AH156466	86.62
	AH154123	-611796		N-N-14		115 mm	JD-AH212103	191.55
MODEL 624K								
BOOM (Powerllel™)	AH227925			P-UB-1	63 mm		JD-AH149815	96.10
	AH227925			N-N-14		125 mm	JD-AH163672	184.07
BOOM (Tool Carrier)	AHC10215			P-UB-1	63 mm		JD-AH149815	96.10
	AHC10215			N-N-14		125 mm	JD-AH163672	184.07
BOOM (Z-Bar)	AH227925			P-UB-1	63 mm		JD-AH149815	96.10
	AH227925			N-N-14		125 mm	JD-AH163672	184.07
BUCKET (Powerllel™)	AHC10103	637330-		P-UB-1	95 mm		JD-AH159192	255.33
	AHC10103	637330-		N-N-14		160 mm	JD-AH234795	139.24
BUCKET (Tool Carrier)	AHC10214			P-UB-1	70 mm		JD-AH156466	86.62

LA - Long Arm LGP - Low Ground Pressure LT - Long Track MFWD - Mechanical Front Wheel Drive MP - Multi-Purpose
 IDM - Inside Dozer Mount ODM - Outside Dozer Mount SLF - Super Long Front STD - Straight Dozer WT - Wide Track

NORTH AMERICA
 PHONE 1-800-777-5617
 FAX 1-800-759-6391

SALES OFFICE HOURS
 8 A.M. TO 8:00 P.M. EASTERN TIME
 www.HerculesUS.com

WORLDWIDE
 PHONE 1-727-796-1300
 FAX 1-727-797-8849

HERCULES
 SEALING PRODUCTS

Replacement Kits For

JOHN DEERE®

Loaders - Wheel								
APPLICATION	CYL #	SERIAL #	Misc	CODE	ROD	BORE	KIT #	List \$
MODEL 624K								
BUCKET (Tool Carrier)	AHC10214			N-N-14		115 mm	JD-AH212103	191.55
BUCKET (Z-Bar)	AHC10101	637110-		P-UB-1	80 mm		JD-AH156874	185.96
	AHC10101	637110-		N-N-14		140 mm	JD-AH216299	239.97
STEERING	AH227114			I,P-UB-1	40 mm		JD-AH149194	80.03
	AH227114			N-N-14		70 mm	JD-AH212089	60.27
MODEL 624K II								
BOOM (Powerllel™)	AH227925			P-UB-1	63 mm		JD-AHC13362	132.05
	AH227925			N-N-10,14		125 mm	JD-AHC21932	111.82
BOOM (Tool Carrier)	AHC17464			P-UB-1	63 mm		JD-AHC13362	132.05
	AHC17464			N-N-10,14		125 mm	JD-AHC21932	111.82
BOOM (Z-Bar)	AHC14244			P-UB-1	63 mm		JD-AHC13362	132.05
	AHC14244			N-N-10,14		125 mm	JD-AHC21932	111.82
BUCKET (Powerllel™)	AHC10103			P-U-1	95 mm		JD-AHC24787	259.93
	AHC10103			N-N-10,14		160 mm	JD-AHC20316	181.69
BUCKET (Tool Carrier)	AHC10214			P-UB-1	70 mm		JD-AHC16724	151.22
	AHC10214			N-N-10,14		115 mm	JD-AHC21922	109.62
	AHC17465			P-UB-1	70 mm		JD-AHC16724	151.22
	AHC17465			N-N-10,14		115 mm	JD-AHC21922	109.62
BUCKET (Z-Bar)	AHC10101			P-UB-1	80 mm		JD-AHC16725	112.74
	AHC10101			N-N-10,14		140 mm	JD-AHC20315	205.72
COUPLER (Powerllel™)	AH223400			I-U-10	1 1/4	2 1/4	JD-AH226589	72.16
COUPLER (Z-Bar)	AH223400			I-U-10	1 1/4	2 1/4	JD-AH226589	72.16
HI-VIS COUPLER	AHC14385			I-U-10	1-1/4	2-1/2	JD-AHC14511	194.84
HI-VIS COUPLER (Powerllel™)	AHC14385			I-U-10	1-1/4	2-1/2	JD-AHC14511	194.84
HI-VIS COUPLER (Z-Bar)	AHC14385			I-U-10	1-1/4	2-1/2	JD-AHC14511	194.84
STEERING	AHC17329			I,P-UB-1	40 mm		JD-AHC13485	107.05
	AHC17329			N-N-10,14		70 mm	JD-AHC21127	81.93
MODEL 624KR								
BOOM	AH163631			P-UB-1	63 mm		JD-AH149815	96.10
	AH163631			N-N-14		125 mm	JD-AH163672	184.07
BUCKET	AH154123			P-UB-1	70 mm		JD-AH156466	86.62
	AH154123			N-N-14		115 mm	JD-AH212103	191.55
STEERING	AH227114			I,P-UB-1	40 mm		JD-AH149194	80.03
	AH227114			N-N-14		70 mm	JD-AH212089	60.27
MODEL 624L								
BOOM	AHC17331			P-UB-1	63 mm		JD-AHC13362	132.05
	AHC17331			N-N-10,14		125 mm	JD-AHC21932	111.82
	AHC17331			N-N-14		125 mm	JD-AH163672	184.07
BOOM (Tool Carrier)	AHC17464			P-UB-1	63 mm		JD-AHC13362	132.05
	AHC17464			N-N-10,14		125 mm	JD-AHC21932	111.82
	AHC17464			N-N-14		125 mm	JD-AH163672	184.07
BUCKET	AHC17332			P-UB-1	80 mm		JD-AHC16725	112.74
	AHC17332			N-N-10,14		140 mm	JD-AHC20315	205.72
	AHC17332			N-N-14		140 mm	JD-AHC15497	73.09
BUCKET (High Lift Plus)	AHC17855			P-UB-1	80 mm		JD-AHC16725	112.74
	AHC17855			N-N-10,14		140 mm	JD-AHC20315	205.72
	AHC17855			N-N-14		140 mm	JD-AHC15497	73.09
BUCKET (High Lift)	AHC17713			P-UB-1	80 mm		JD-AHC16725	112.74
	AHC17713			N-N-10,14		140 mm	JD-AHC20315	205.72
	AHC17713			N-N-14		140 mm	JD-AHC15497	73.09
STEERING	AHC17329			I,P-UB-1	40 mm		JD-AHC13485	107.05
	AHC17329			N-N-10,14		70 mm	JD-AHC21127	81.93
	AHC17329			N-N-14		70 mm	JD-AH212089	60.27

LA - Long Arm LGP - Low Ground Pressure LT - Long Track MFWD - Mechanical Front Wheel Drive MP - Multi-Purpose
 IDM - Inside Dozer Mount ODM - Outside Dozer Mount SLF - Super Long Front STD - Straight Dozer WT - Wide Track

FORMERLY LISTED REPAIR PARTS ARE AVAILABLE ONLINE AT WWW.HERCULESUS.COM
 OR BY CONTACTING YOUR REGIONAL HERCULES SALES TEAM.

JOHN DEERE®

Replacement Kits For

JOHN DEERE®

Loaders - Wheel								
APPLICATION	CYL #	SERIAL #	Misc	CODE	ROD	BORE	KIT #	List \$
MODEL 644G								
BOOM	AH139265			P-UB-1	80 mm		JD-RE25152	257.14
	AH139265			N-N-14		160 mm	JD-AH137210	203.09
BUCKET	AH139266			P-UB-1	80 mm		JD-RE25152	257.14
	AH139266			N-N-14		180 mm	JD-AH137211	206.63
LOADER BOOM LIFT	AH139265	All		P-UB-1	80 mm		JD-RE25152	257.14
	AH139265	All		N-N-14		160 mm	JD-AH137210	203.09
LOADER BUCKET TILT	AH139266	All		P-UB-1	80 mm		JD-RE25152	257.14
	AH139266	All		N-N-14		180 mm	JD-AH137211	206.63
STEERING	AH150098	All		I,P-UB-1	45 mm		JD-AH149813	95.91
	AH150098	All		N-N-14		90 mm	JD-AH149843	107.61
	RE24865	All		P-UB-1	45 mm		JD-RE20434	92.84
	RE24865	All		N-N-14		90 mm	JD-AH149843	107.61
MODEL 644H								
BOOM	AH225288	589875-		P-UB-1	70 mm		JD-AH156466	86.62
	AH225288	570487-589874		P-UB-1	70 mm		JD-AH156466	86.62
	AH225288			P-UB-1	70 mm		JD-AH156466	86.62
	AH225288	-570486		P-UB-1	70 mm		JD-AH156466	86.62
	AH225288	589875-		N-N-14		140 mm	JD-AH163673	212.78
	AH225288	570487-589874		N-N-14		140 mm	JD-AH163673	212.78
	AH225288	-570486		N-N-14		140 mm	JD-AH163673	212.78
	AH225288			N-N-14		140 mm	JD-AH163673	212.78
	AT311653	-570486		P-UB-1	70 mm		JD-AH156466	86.62
	AT311653	570487-589874		P-UB-1	70 mm		JD-AH156466	86.62
	AT311653	589875-		P-UB-1	70 mm		JD-AH156466	86.62
	AT311653	-570486		N-N-14		140 mm	JD-AH163673	212.78
	AT311653	570487-589874		N-N-14		140 mm	JD-AH163673	212.78
	AT311653	589875-		N-N-14		140 mm	JD-AH163673	212.78
BUCKET	AH225288	-589893		P-UB-1	95 mm		JD-AH159192	255.33
	AH225288	-589893		N-N-14		160 mm	JD-AH137210	203.09
	AH225719	589894-		P-UB-1	95 mm		JD-AH159192	255.33
	AH225719	589894-		N-N-14		160 mm	JD-AH137210	203.09
	AH225719			N-N-14		160 mm	JD-AH137210	203.09
	AT311654			P-UB-1	95 mm		JD-AH159192	255.33
	AT311654			N-N-14		160 mm	JD-AH137210	203.09
	AT311654			N-N-14		160 mm	JD-AH137210	203.09
STEERING	AH150468			N-N-14		80 mm	JD-AH212091	136.57
	AH211112			I,P-UB-1	45 mm		JD-AH149813	95.91
MODEL 644J								
LOADER BOOM	AH225288	-611231		P-UB-1	70 mm		JD-AH156466	86.62
	AH225288	-611231		N-N-14		140 mm	JD-AH163673	212.78
LOADER BUCKET	AH225719	611232-		P-UB-1	95 mm		JD-AH159192	255.33
	AH225719	-611231		N-N-14		160 mm	JD-AH137210	203.09
	AH225719	611232-		N-N-14		160 mm	JD-AH137210	203.09
STEERING	AH211112	611232-		I,P-UB-1	45 mm		JD-AH149813	95.91
	AH211112	-611231		I,P-UB-1	45 mm		JD-AH149813	95.91
	AH211112	-611231		N-N-14		80 mm	JD-AH212091	136.57
	AH211112	611232-		N-N-14		80 mm	JD-AH212091	136.57
MODEL 644K								
BOOM (PowerllelTM)		-625967		P-UB-1	70 mm		JD-AH156466	86.62
		-625967		N-N-14		140 mm	JD-AH163673	212.78
	AH230320	625968-		P-UB-1	70 mm		JD-AH156466	86.62
	AH230320	625968-		N-N-14		140 mm	JD-AH234770	195.98
BOOM (Z-Bar)		-625967		P-UB-1	70 mm		JD-AH156466	86.62
		-625967		N-N-14		140 mm	JD-AH163673	212.78
	AH230320	625968-		P-UB-1	70 mm		JD-AH156466	86.62
	AH230320	625968-		N-N-14		140 mm	JD-AH234770	195.98

LA - Long Arm LGP - Low Ground Pressure LT - Long Track MFWD - Mechanical Front Wheel Drive MP - Multi-Purpose
 IDM - Inside Dozer Mount ODM - Outside Dozer Mount SLF - Super Long Front STD - Straight Dozer WT - Wide Track

JOHN DEERE®

Replacement Kits For

JOHN DEERE®

Loaders - Wheel								
APPLICATION	CYL #	SERIAL #	Misc	CODE	ROD	BORE	KIT #	List \$
MODEL 644K								
BUCKET (Powerllel™)	AH226721			P-UB-1	95 mm		JD-AH159192	255.33
	AH226721			N-N-14		180 mm	JD-AH137211	206.63
BUCKET (Z-Bar)	AHC10205	-627885		P-UB-1	95 mm		JD-AH159192	255.33
	AHC10205	627886-		P-UB-1	95 mm		JD-AH159192	255.33
	AHC10205	-627885		N-N-14		160 mm	JD-AH137210	203.09
	AHC10205	627886-		N-N-14		160 mm	JD-AH234795	139.24
STEERING	AH227132	-632197		I,P-UB-1	45 mm		JD-AH149813	95.91
	AH227132	-632197		N-N-14		80 mm	JD-AH212091	136.57
	AHC10913	632198-		I,P-UB-1	45 mm		JD-AHC11572	135.92
	AHC10913	632198-		N-N-14		80 mm	JD-AH212091	136.57
MODEL 644L								
BOOM	AHC19416			P-UB-1	70 mm		JD-AHC16724	151.22
	AHC19416			N-N-10,14		140 mm	JD-AHC20315	205.72
BUCKET (High Lift)	AHC20323			P-U-1	95 mm		JD-AHC24787	259.93
	AHC20323			N-N-10,14		160 mm	JD-AHC20316	181.69
BUCKET(Standard Z-bar)	AHC20320			P-U-1	95 mm		JD-AHC24787	259.93
	AHC20320			N-N-10,14		160 mm	JD-AHC20316	181.69
COUPLER	AHC19765			I-U-10	1-1/4	2-1/4	JD-AHC19209	64.46
COUPLER (Z-Bar)	AHC19765			I-U-10	1-1/4	2-1/4	JD-AHC19209	64.46
HI-VIS COUPLER	AHC19764			I-U-10	1-1/4	2-1/2	JD-AHC14511	194.84
HI-VIS COUPLER (Z-Bar)	AHC19764			I-U-10	1-1/4	2-1/2	JD-AHC14511	194.84
STEERING	AHC22904			I,P-UB-1	45 mm		JD-AHC11572	135.92
	AHC22904			N-N-10,14		80 mm	JD-AHC20488	101.27
MODEL 724J								
BOOM	AH227117	618146-		P-UB-1	70 mm		JD-AH156466	86.62
	AH227117	-618145		P-UB-1	70 mm		JD-AH156466	86.62
	AH227117	-611218		P-UB-1	70 mm		JD-AH156466	86.62
	AH227117	611219-		P-UB-1	70 mm		JD-AH156466	86.62
	AH227117	611219-		N-N-14		140 mm	JD-AH163673	212.78
	AH227117	-611218		N-N-14		140 mm	JD-AH163673	212.78
	AH227117	-618145		N-N-14		140 mm	JD-AH163673	212.78
	AH227117	618146-		N-N-14		140 mm	JD-AH163673	212.78
BUCKET	AH210183			P-UB-1	95 mm		JD-AH159192	255.33
	AH210183			N-N-14		160 mm	JD-AH137210	203.09
	AHC10205	618146-		P-UB-1	95 mm		JD-AH159192	255.33
	AHC10205	-618145		P-UB-1	95 mm		JD-AH159192	255.33
	AHC10205	-618145		N-N-14		160 mm	JD-AH137210	203.09
	AHC10205	618146-		N-N-14		160 mm	JD-AH137210	203.09
STEERING	AH150468			I,P-UB-1	45 mm		JD-AH149813	95.91
	AH150468			N-N-14		80 mm	JD-AH212091	136.57
	AH227132	-618145		N-N-14		80 mm	JD-AH212091	136.57
	AH227132	618146-		I,P-UB-1	45 mm		JD-AH149813	95.91
	AH227132	618146-		N-N-14		80 mm	JD-AH212091	136.57
MODEL 724K								
BOOM (Z-Bar)	AH227926	- 641522		P-UB-1	70 mm		JD-AH156466	86.62
	AH227926	- 641522		N-N-14		140 mm	JD-AH163673	212.78
	AH230320	-658296		P-UB-1	70 mm		JD-AH156466	86.62
	AH230320	-658296		N-N-14		140 mm	JD-AH234770	195.98
	AHC14247			P-UB-1	70 mm		JD-AH156466	86.62
	AHC14247			N-N-10,14		140 mm	JD-AHC20315	205.72
BUCKET (Z-Bar)	AHC10205	627886-658296		P-UB-1	95 mm		JD-AH159192	255.33
	AHC10205	-627885		N-N-14		160 mm	JD-AH137210	203.09
	AHC10205	627886-658296		N-N-14		160 mm	JD-AH234795	139.24
	AHC14246			P-UB-1	95 mm		JD-AH159192	255.33
	AHC14246			N-N-14		160 mm	JD-AH137210	203.09

LA - Long Arm LGP - Low Ground Pressure LT - Long Track MFWD - Mechanical Front Wheel Drive MP - Multi-Purpose
 IDM - Inside Dozer Mount ODM - Outside Dozer Mount SLF - Super Long Front STD - Straight Dozer WT - Wide Track

FORMERLY LISTED REPAIR PARTS ARE AVAILABLE ONLINE AT WWW.HERCULESUS.COM
 OR BY CONTACTING YOUR REGIONAL HERCULES SALES TEAM.

JOHN DEERE®

Replacement Kits For

JOHN DEERE®

Loaders - Wheel								
APPLICATION	CYL #	SERIAL #	Misc	CODE	ROD	BORE	KIT #	List \$
MODEL 724K								
STEERING	AH227132	-658296		I,P-UB-1	45 mm		JD-AH149813	95.91
	AH227132	-658296		N-N-14		80 mm	JD-AH212091	136.57
	AHC10913	-658296		I,P-UB-1	45 mm		JD-AHC11572	135.92
	AHC10913	-658296		N-N-14		80 mm	JD-AH212091	136.57
	AHC13890			I,P-UB-1	45 mm		JD-AHC11572	135.92
	AHC13890			N-N-14		80 mm	JD-AH212091	136.57
MODEL 744E								
LOADER BOOM LIFT	AT137814	All		P-UB-10	95 mm	170 mm	JD-AT138138	447.72
	AT161735	All		P-UB-10	95 mm	170 mm	JD-AT138138	447.72
LOADER BUCKET TILT	AT137796	All		P-UB-10	100 mm	200 mm	JD-AT138137	566.08
STEERING	AT137406	All		P-UB-10	50 mm	100 mm	JD-AT138119	260.84
	AT158546	All		P-UB-10	50 mm	100 mm	JD-AT138119	260.84
MODEL 744H								
BOOM	AH153813	-582317		P-UB-1	95 mm		JD-AH151382	225.40
	AH153813	-582317		N-N-14		180 mm	JD-AH137211	206.63
	AH175186	582318-		P-UB-1	95 mm		JD-AH159192	255.33
	AH175186	582318-		N-N-14		180 mm	JD-AH137211	206.63
	AT311655			P-UB-1	95 mm		JD-AH159192	255.33
	AT311655			N-N-14		180 mm	JD-AH137211	206.63
BUCKET	AT311656	575056-		P-UB-1	100 mm		JD-AH151321	276.60
	AT311656			P-UB-1	115 mm		JD-AH207243	265.97
	AT311656	575056-		N-N-14		200 mm	JD-AH151320	297.90
	AT311656			N-N-14		200 mm	JD-AH151320	297.90
	AT311657			P-UB-1	115 mm		JD-AH207243	265.97
	AT311657			N-N-14		200 mm	JD-AH151320	297.90
STEERING	AH148443			I,P-UB-1	45 mm		JD-AH149813	95.91
	AH148443			N-N-14		90 mm	JD-AH212096	107.61
MODEL 744J								
BOOM	AH222725	XXXX-612699		P-UB-1	95 mm		JD-AH159192	255.33
	AH222725	612700-		P-UB-1	95 mm		JD-AH159192	255.33
	AH222725	-590125		P-UB-1	95 mm		JD-AH159192	255.33
	AH222725	612700-		N-N-14		180 mm	JD-AH137211	206.63
	AH222725	-590125		N-N-14		180 mm	JD-AH137211	206.63
	AH222725	XXXX-612699		N-N-14		180 mm	JD-AH137211	206.63
	AH222725	595693-612700		N-N-14		180 mm	JD-AH137211	206.63
BUCKET	AH222726	595693-612700		P-UB-1	115 mm		JD-AH207243	265.97
	AH222726	595693-612700		N-N-14		200 mm	JD-AH151320	297.90
STEERING	AH222727	-612699		I,P-UB-1	45 mm		JD-AH149813	95.91
	AH222727	612700-		I,P-UB-1	45 mm		JD-AH149813	95.91
	AH222727	612700-		N-N-14		90 mm	JD-AH212096	107.61
	AH222727	-612699		N-N-14		90 mm	JD-AH212096	107.61
MODEL 744K								
BOOM	AH222725	- 632967		P-UB-1	95 mm		JD-AH159192	255.33
	AH222725	- 632967		N-N-14		180 mm	JD-AH137211	206.63
BUCKET	AH222726	- 632967		P-UB-1	115 mm		JD-AH207243	265.97
	AH222726	- 632967		N-N-14		200 mm	JD-AH151320	297.90
STEERING	AH222727	- 632967		I,P-UB-1	45 mm		JD-AH149813	95.91
	AH222727	- 632967		N-N-14		90 mm	JD-AH212096	107.61
MODEL 824J								
BOOM	AH222725	XXXXXX-612710		P-UB-1	95 mm		JD-AH159192	255.33
	AH222725			P-UB-1	95 mm		JD-AH159192	255.33
	AH222725	612711-		P-UB-1	95 mm		JD-AH159192	255.33
	AH222725			N-N-14		180 mm	JD-AH137211	206.63
	AH222725	612711-		N-N-14		180 mm	JD-AH137211	206.63
	AH222725	XXXXXX-612710		N-N-14		180 mm	JD-AH137211	206.63
STEERING		-612710		I,P-UB-1	45 mm		JD-AH149813	95.91

LA - Long Arm LGP - Low Ground Pressure LT - Long Track MFWD - Mechanical Front Wheel Drive MP - Multi-Purpose
 IDM - Inside Dozer Mount ODM - Outside Dozer Mount SLF - Super Long Front STD - Straight Dozer WT - Wide Track

Replacement Kits For

JOHN DEERE®

Loaders - Wheel									
APPLICATION	CYL #	SERIAL #	Misc	CODE	ROD	BORE	KIT #	List \$	
MODEL 824J									
STEERING		-612710		N-N-14		90 mm	JD-AH212096	107.61	
	AH222727	612711-		I,P-UB-1	45 mm		JD-AH149813	95.91	
	AH222727	612711-		N-N-14		90 mm	JD-AH212096	107.61	
MODEL 824K									
BOOM	AH222725	- 641969		P-UB-1	95 mm		JD-AH159192	255.33	
	AH222725	- 641969		N-N-14		180 mm	JD-AH137211	206.63	
BOOM (LH)	AHC13904	Series II		RK-P-UB-1	95 mm		JD-AHC16728	176.62	
	AHC13904	Series II/Tier 3		RK-P-UB-1	95 mm		JD-AHC16728	176.62	
	AHC13904	Series II/Tier 3		N-N-14		180 mm	JD-AH137211	206.63	
	AHC13904	Series II		N-N-14		180 mm	JD-AH137211	206.63	
BOOM (RH)	AHC13908	Series II/Tier 3		RK-P-UB-1	95 mm		JD-AHC16728	176.62	
	AHC13908	Series II		RK-P-UB-1	95 mm		JD-AHC16728	176.62	
	AHC13908	Series II/Tier 3		N-N-14		180 mm	JD-AH137211	206.63	
	AHC13908	Series II		N-N-14		180 mm	JD-AH137211	206.63	
BUCKET	AH222726	Series II/Tier 3		P-UB-1	115 mm		JD-AH207243	265.97	
	AH222726	- 641969		P-UB-1	115 mm		JD-AH207243	265.97	
	AH222726	Series II		P-UB-1	115 mm		JD-AH207243	265.97	
	AH222726	- 641969		N-N-14		200 mm	JD-AH151320	297.90	
	AH222726	Series II/Tier 3		N-N-14		200 mm	JD-AH151320	297.90	
	AH222726	Series II		N-N-14		200 mm	JD-AH151320	297.90	
STEERING	AH222727	- 641969		I,P-UB-1	45 mm		JD-AH149813	95.91	
	AH222727	- 641969		N-N-14		90 mm	JD-AH212096	107.61	
	AHC10917	Series II/Tier 3		I,P-UB-1	45 mm		JD-AHC11572	135.92	
	AHC10917	Series II		I,P-UB-1	45 mm		JD-AHC11572	135.92	
	AHC10917	Series II		N-N-14		90 mm	JD-AH212096	107.61	
	AHC10917	Series II/Tier 3		N-N-14		90 mm	JD-AH212096	107.61	
MODEL 844K									
BOOM	AH222733	- 664095 Series II		P-UB-1	115 mm		JD-AH207243	265.97	
	AH222733	Series II/Tier 3		P-UB-1	115 mm		JD-AH207243	265.97	
	AH222733	- 664097 Series II		P-UB-1	115 mm		JD-AH207243	265.97	
	AH222733	Series II		P-UB-1	115 mm		JD-AH207243	265.97	
	AH222733	- 642007		P-UB-1	115 mm		JD-AH207243	265.97	
	AH222733	Series II		N-N-14		200 mm	JD-AH151320	297.90	
	AH222733	- 664097 Series II		N-N-14		200 mm	JD-AH151320	297.90	
	AH222733	- 664095 Series II		N-N-14		200 mm	JD-AH151320	297.90	
	AH222733	- 642007		N-N-14		200 mm	JD-AH151320	297.90	
	AH222733	Series II/Tier 3		N-N-14		200 mm	JD-AH151320	297.90	
	BUCKET (LH)	AH222735	- 642007		P-UB-1	95 mm		JD-AH159192	255.33
		AH222735	- 642007		N-N-14		160 mm	JD-AH137210	203.09
		AHC10722	Series II/Tier 3		P-UB-1	95 mm		JD-AH159192	255.33
AHC10722		Series II		P-UB-1	95 mm		JD-AH159192	255.33	
AHC10722		- 664097 Series II		P-UB-1	95 mm		JD-AH159192	255.33	
AHC10722		- 664095 Series II		P-UB-1	95 mm		JD-AH159192	255.33	
AHC10722		Series II		N-N-14		160 mm	JD-AH137210	203.09	
AHC10722		- 664095 Series II		N-N-14		160 mm	JD-AH137210	203.09	
AHC10722		- 664097 Series II		N-N-14		160 mm	JD-AH137210	203.09	
AHC10722		Series II/Tier 3		N-N-14		160 mm	JD-AH137210	203.09	
BUCKET (RH)	AH222734	- 642007		P-UB-1	95 mm		JD-AH159192	255.33	
	AH222734	- 642007		N-N-14		160 mm	JD-AH137210	203.09	
	AHC10721	- 664095 Series II		P-UB-1	95 mm		JD-AH159192	255.33	
	AHC10721	- 664097 Series II		P-UB-1	95 mm		JD-AH159192	255.33	
	AHC10721	Series II		P-UB-1	95 mm		JD-AH159192	255.33	
	AHC10721	Series II/Tier 3		P-UB-1	95 mm		JD-AH159192	255.33	
	AHC10721	Series II		N-N-14		160 mm	JD-AH137210	203.09	
	AHC10721	- 664095 Series II		N-N-14		160 mm	JD-AH137210	203.09	

LA - Long Arm LGP - Low Ground Pressure LT - Long Track MFWD - Mechanical Front Wheel Drive MP - Multi-Purpose
 IDM - Inside Dozer Mount ODM - Outside Dozer Mount SLF - Super Long Front STD - Straight Dozer WT - Wide Track

FORMERLY LISTED REPAIR PARTS ARE AVAILABLE ONLINE AT WWW.HERCULESUS.COM
 OR BY CONTACTING YOUR REGIONAL HERCULES SALES TEAM.

Replacement Kits For

JOHN DEERE®

JOHN DEERE®

Loaders - Wheel									
APPLICATION	CYL #	SERIAL #	Misc	CODE	ROD	BORE	KIT #	List \$	
MODEL 844K									
BUCKET (RH)	AHC10721	- 664097 Series II		N-N-14		160 mm	JD-AH137210	203.09	
	AHC10721	Series II/Tier 3		N-N-14		160 mm	JD-AH137210	203.09	
STEERING (LH)	AH222737	- 642007		P-UB-1	56 mm		JD-AH149814	94.40	
	AH222737	- 664095 Series II		P-UB-1	56 mm		JD-AH149814	94.40	
	AH222737	- 664095 Series II		N-N-14		100 mm	JD-AH212101	129.27	
	AH222737	- 642007		N-N-14		100 mm	JD-AH212101	129.27	
	AHC10928	- 664095 Series II		P-UB-1	56 mm		JD-AHC16683	87.31	
	AHC10928	- 664097 Series II		P-UB-1	56 mm		JD-AHC16683	87.31	
	AHC10928	Series II		P-UB-1	56 mm		JD-AHC16683	87.31	
	AHC10928	Series II/Tier 3		P-UB-1	56 mm		JD-AHC16683	87.31	
	AHC10928	- 664095 Series II		N-N-14		100 mm	JD-AH212101	129.27	
	AHC10928	- 664097 Series II		N-N-14		100 mm	JD-AH212101	129.27	
	AHC10928	Series II		N-N-14		100 mm	JD-AH212101	129.27	
	AHC10928	Series II/Tier 3		N-N-14		100 mm	JD-AH212101	129.27	
	STEERING (RH)	AH222736	- 664095 Series II		P-UB-1	56 mm		JD-AH149814	94.40
		AH222736	- 642007		P-UB-1	56 mm		JD-AH149814	94.40
AH222736		- 664095 Series II		N-N-14		100 mm	JD-AH212101	129.27	
AH222736		- 642007		N-N-14		100 mm	JD-AH212101	129.27	
AHC10921		- 664095 Series II		P-UB-1	56 mm		JD-AHC16683	87.31	
AHC10921		Series II		P-UB-1	56 mm		JD-AHC16683	87.31	
AHC10921		Series II/Tier 3		P-UB-1	56 mm		JD-AHC16683	87.31	
AHC10921		- 664097 Series II		P-UB-1	56 mm		JD-AHC16683	87.31	
AHC10921		- 664095 Series II		N-N-14		100 mm	JD-AH212101	129.27	
AHC10921		Series II/Tier 3		N-N-14		100 mm	JD-AH212101	129.27	
AHC10921		- 664097 Series II		N-N-14		100 mm	JD-AH212101	129.27	
AHC10921		Series II		N-N-14		100 mm	JD-AH212101	129.27	
MODEL TC44H									
BOOM		AH149101	-570613		P-UB-1	63 mm		JD-AH149815	96.10
	AH149101	-570613		N-N-14		110 mm	JD-AH163670	123.44	
	AT152715	570614-		P-UB-1	63 mm		JD-AH149815	96.10	
	AT152715	570614-		N-N-14		110 mm	JD-AH163670	123.44	
BUCKET	AH152715			P-UB-1	63 mm		JD-AH149815	96.10	
	AH152715			N-N-14		100 mm	JD-AH212101	129.27	
STEERING	AH147585			I-UB-14	32 mm	56 mm	JD-AH153496	120.70	
	AH205056			P-UB-1	32 mm		JD-AH161589	75.94	
	AH205056			N-N-14		56 mm	JD-AH161591	95.58	
MODEL TC54H									
BOOM	AH147533	-570068		P-UB-1	63 mm		JD-AH149815	96.10	
	AH147533	-570068		N-N-14		115 mm	JD-AH163671	172.38	
	AH163629	570069-		P-UB-1	63 mm		JD-AH149815	96.10	
	AH163629	570069-		N-N-14		115 mm	JD-AH163671	172.38	
BUCKET	AH153921	All		P-UB-1	70 mm		JD-AH156466	86.62	
	AH153921	All		N-N-14		110 mm	JD-AH149845	171.33	
STEERING	AH147586	-568522		P-UB-14	40 mm	63 mm	JD-AH153497	208.06	
	AH160118	568523-589817		I,P-UB-1	40 mm		JD-AH149194	80.03	
	AH160118	568523-589817		N-N-14		63 mm	JD-AH212087	145.13	
	AH211379	589818-		I,P-UB-1	40 mm		JD-AH149194	80.03	
AH211379	589818-		N-N-14		63 mm	JD-AH212087	145.13		
Motor Graders									
APPLICATION	CYL #	SERIAL #	Misc	CODE	ROD	BORE	KIT #	List \$	
MODEL 570, 570A									
BLADE LIFT		All		P-V-8	1-3/4	3	JD-RE18751	59.07	
BLADE PITCH		All		P-V-8	1-1/4	2-1/2	JD-AR105453	57.56	
BLADE SIDESHIFT		All		P-V-8	1-1/2	2-1/2	JD-RE19217	48.59	
CIRCLE SIDESHIFT		All		P-V-8	1-3/4	3	JD-RE18751	59.07	

LA - Long Arm LGP - Low Ground Pressure LT - Long Track MFWD - Mechanical Front Wheel Drive MP - Multi-Purpose
 IDM - Inside Dozer Mount ODM - Outside Dozer Mount SLF - Super Long Front STD - Straight Dozer WT - Wide Track

Replacement Kits For

JOHN DEERE®

Motor Graders								
APPLICATION	CYL #	SERIAL #	Misc	CODE	ROD	BORE	KIT #	List \$
MODEL 570, 570A								
SCARIFIER & SNOW PLOW LIFT		All		P-V-8	1-3/4	4	JD-RE10223	64.36
STEERING (Rear)		All		P-V-8	1-1/4	3	JD-AR105454	61.78
WHEEL LEAN		All		P-V-8	1-1/4	3	JD-AR105454	61.78
MODEL 570B								
BLADE LIFT	AH135057	539848-		P-UB-1	45 mm		JD-RE20434	92.84
	AH135057	539848-		N-N-14		80 mm	JD-AH212091	136.57
	AH150078	539848-		I,P-UB-1	45 mm		JD-AH149813	95.91
	AH150078	539848-		N-N-14		80 mm	JD-AH212091	136.57
	AH219877	-540925		I,P-UB-1	40 mm		JD-AH149194	80.03
	AH219877	-540925		N-N-10		63 mm	JD-AH212088	21.44
	AU43106	-515648		P-V-8	1-3/4	3	JD-RE18751	59.07
	RE30815	515649-539847		P-V-1	1-3/4		JD-RE14550	29.47
RE30815	515649-539847		N-N-14		3	JD-RE14082	113.14	
BLADE PITCH	AH139083	539848-		P-U-1	40 mm		JD-SK100092	59.81
	AH139083	539848-		N-N-10		63 mm	JD-AH212088	21.44
	AH150028			I-U-1	40 mm		JD-SK100091	28.90
	AH150028			N-N-10		63 mm	JD-AH212088	21.44
AU43102	-589847		P-V-8	1-1/4	2-1/2	JD-AR105453	57.56	
BLADE SIDESHIFT	AH143278	541004-		P-U-1	40 mm		JD-SK100094	59.81
	AH143278	541004-		N-N-10		63 mm	JD-AH212088	21.44
	AH150029			I-U-1	40 mm		JD-SK100093	28.90
	AH150029			N-N-10		63 mm	JD-AH212088	21.44
AU43104	-541003		P-V-8	1-1/2	2-1/2	JD-RE19217	48.59	
CIRCLE SIDESHIFT	AH135087	540926-		P-UB-1	40 mm		JD-RE20433	92.26
	AH135087	540926-		N-N-14		80 mm	JD-AH212091	136.57
	AH150079			I,P-UB-1	45 mm		JD-AH149813	95.91
	AH150079			N-N-14		80 mm	JD-AH212091	136.57
	RE30568	-540925		P-V-8	1-3/4	3	JD-RE18751	59.07
SCARIFIER & SNOW PLOW LIFT	AH137301	539520-		P-UB-1	50 mm		JD-RE20595	82.00
	AH137301	539520-		N-N-14		100 mm	JD-AH212101	129.27
	AH148701	539520-		P-UB-1	50 mm		JD-AH210484	66.46
	AH148701	539520-		N-N-14		100 mm	JD-AH212101	129.27
	AU43107	-515648		P-V-8	1-3/4	4	JD-RE10223	64.36
	RE30870	515649-539519		P-V-1	1-3/4		JD-RE30874	46.59
	RE30870	515649-539519		N-N-14		4	JD-RE16118	127.53
STEERING (Front)	AH150023			P-UB-1	25 mm		JD-AH149810	75.45
	AH150023			N-N-10		50 mm	JD-AH167552	10.76
	RE38338	540777-		P-UB-1	25 mm		JD-RE21875	80.91
	RE38338	540777-		N-N-10		50 mm	JD-AH167552	10.76
STEERING (Rear)	AH138085	540255-		P-UB-1	40 mm		JD-RE20433	92.26
	AH138085	540255-		N-N-14		80 mm	JD-AH212091	136.57
	AH150061			I,P-UB-1	40 mm		JD-AH149194	80.03
	AH150061			N-N-10		80 mm	JD-RE37003	24.25
	AT39445	-540254		P-V-8	1-1/4	3	JD-AR105454	61.78
WHEEL LEAN	AH138086	540777-		P-UB-1	40 mm		JD-RE20433	92.26
	AH138086	540777-		N-N-14		80 mm	JD-AH212091	136.57
	AH150062			I,P-UB-1	40 mm		JD-AH149194	80.03
	AH150062			N-N-10		80 mm	JD-RE37003	24.25
	AU43108	-540776		P-V-8	1-1/4	3	JD-AR105454	61.78
MODEL 670,670A,670B,672A,672B								
BLADE LIFT		All		P-V-8	2	3-1/4	JD-RE18747	70.50
BLADE SIDESHIFT		All		P-V-10	1-1/2	3-1/2	JD-RE18742	92.92
BLADE TILT		All		P-V-8	1-3/4	4	JD-RE18736	68.42

LA - Long Arm LGP - Low Ground Pressure LT - Long Track MFWD - Mechanical Front Wheel Drive MP - Multi-Purpose
 IDM - Inside Dozer Mount ODM - Outside Dozer Mount SLF - Super Long Front STD - Straight Dozer WT - Wide Track

FORMERLY LISTED REPAIR PARTS ARE AVAILABLE ONLINE AT WWW.HERCULESUS.COM
 OR BY CONTACTING YOUR REGIONAL HERCULES SALES TEAM.

JOHN DEERE®

Replacement Kits For

JOHN DEERE®

Motor Graders								
APPLICATION	CYL #	SERIAL #	Misc	CODE	ROD	BORE	KIT #	List \$
MODEL 670,670A,670B,672A,672B								
CIRCLE SIDESHIFT		All		P-V-8	2	3-1/4	JD-RE18747	70.50
FRONT MOUNTED EQ		All		P-V-8	2	5	JD-RE18743	87.64
RIPPER		All		P-V-8	2-1/4	5-1/4	JD-AR105346	114.78
SCARIFIER		All		P-V-8	2	5	JD-RE18743	87.64
STEERING (Front)		All		P-U-8	1-1/4	3	JD-RE18750	48.46
STEERING (Rear)		All	670, 670A, 672A	P-V-8	1-3/4	3-1/2	JD-RE18754	92.49
		All	670B, 672B	P-UB-1	45 mm		JD-RE20434	92.84
		All	670B, 672B	N-N-14		90 mm	JD-RE20430	77.46
WHEEL LEAN		All		P-V-8	2	4	JD-RE18733	94.53
MODEL 770,770A,770B,772A,772B								
BLADE LIFT		All		P-V-8	2	3-1/2	JD-RE18748	89.13
BLADE SIDESHIFT		All		P-V-10	1-1/2	3-1/2	JD-RE18742	92.92
BLADE TILT		All		P-V-8	1-3/4	4	JD-RE18736	68.42
CIRCLE SIDESHIFT		All		P-V-8	1-3/4	3-1/2	JD-RE18754	92.49
FRONT MOUNTED EQ		All		P-V-8	2	5	JD-RE18743	87.64
RIPPER		All		P-V-8	2-1/4	5-1/4	JD-AR105346	114.78
SCARIFIER		All		P-V-8	2	5	JD-RE18743	87.64
STEERING (Front)		All		P-U-8	1-1/4	3	JD-RE18750	48.46
STEERING (Rear)		All		P-V-8	2	4	JD-RE18733	94.53
WHEEL LEAN		All		P-V-8	2	4	JD-RE18733	94.53
Scrapers								
APPLICATION	CYL #	SERIAL #	Misc	CODE	ROD	BORE	KIT #	List \$
MODEL 762,762A,762B								
BOWL LIFT		All		P-V-8	2	4-1/2	JD-RE18737	91.23
EJECTOR GATE		All		P-V-8	1-1/2	2-1/2	JD-RE19217	48.59
SLIDING FLOOR		All		P-V-8	2-1/4	5-1/4	JD-AR105346	114.78
STEERING		All		P-V-10,12	2	3-1/2	JD-RE18765	80.67
STEERING (Follow-Up)		All	762, 762A	N-OB-10	1/2	1	JD-AH65915	15.91
MODEL 862B								
BOWL LIFT		781781-		P-UB-1	63 mm		JD-RE25151	175.66
		781781-		N-N-14		140 mm	JD-AH137209	233.01
EJECTOR GATE		4283-781780		P-U-8	2	3	JD-RE19218	70.99
		781781-		P-UB-1	50 mm		JD-RE20595	82.00
		781781-		N-N-14		80 mm	JD-RE31138	85.75
STEERING				P-V-10	2	4	JD-RE18738	51.44
	RE18738	781781-		P-UB-1	50 mm		JD-RE20595	82.00
	RE18738	781781-		N-N-14		100 mm	JD-AH137687	113.73
MODEL 1312C								
BUCKET	AH163552		-2003	I,P-UB-1	45 mm		JD-AH149813	95.91
	AH163552		-2003	N-N-10		90 mm	JD-AH202290	25.40
GATE & WHEEL FRAME	AH166738		-2003	P-UB-1	63 mm		JD-AH149815	96.10
	AH166738		-2003	N-N-10		6	JD-AH167533	97.52
MODEL 1510C								
BUCKET	AH163552		-2003	I,P-UB-1	45 mm		JD-AH149813	95.91
	AH163552	-050001	2004-	I,P-UB-1	45 mm		JD-AH149813	95.91
	AH163552		-2003	N-N-10		90 mm	JD-AH202290	25.40
	AH163552	-050001	2004-	N-N-10		90 mm	JD-AH202290	25.40
	AH216652	050002-	2004-	I,P-UB-1	45 mm		JD-AH149813	95.91
	AH216652	050002-	2004-	N-N-10		90 mm	JD-AH212097	26.38
	GATE & WHEEL FRAME	AH166738		-2003	P-UB-1	63 mm		JD-AH149815
AH166738		-050004	2004-	P-UB-1	63 mm		JD-AH149815	96.10
AH166738			-2003	N-N-10		6	JD-AH167533	97.52
AH166738		-050004	2004-	N-N-10		6	JD-AH167533	97.52
AH216715		050005-	2004-	P-UB-1	63 mm		JD-AH149815	96.10
AH216715		050005-	2004-	N-N-10		6	JD-AH167533	97.52

LA - Long Arm LGP - Low Ground Pressure LT - Long Track MFWD - Mechanical Front Wheel Drive MP - Multi-Purpose
 IDM - Inside Dozer Mount ODM - Outside Dozer Mount SLF - Super Long Front STD - Straight Dozer WT - Wide Track

Replacement Kits For

JOHN DEERE®

Scrapers									
APPLICATION	CYL #	SERIAL #	Misc	CODE	ROD	BORE	KIT #	List \$	
MODEL 1512C									
BUCKET	AH163552	-050001	2004-	I,P-UB-1	45 mm		JD-AH149813	95.91	
	AH163552	-050001	2004-	N-N-10		90 mm	JD-AH202290	25.40	
	AH216652	050002-	2004-	I,P-UB-1	45 mm		JD-AH149813	95.91	
	AH216652	050002-	2004-	N-N-10		90 mm	JD-AH212097	26.38	
GATE & WHEEL FRAME	AH166738	-050004	2004-	P-UB-1	63 mm		JD-AH149815	96.10	
	AH166738	-050004	2004-	N-N-10		6	JD-AH167533	97.52	
	AH216715	050005-	2004-	P-UB-1	63 mm		JD-AH149815	96.10	
	AH216715	050005-	2004-	N-N-10		6	JD-AH167533	97.52	
MODEL 1810C									
BUCKET		060201-	Mfg 2006	P-UB-1	56 mm		JD-AH149814	94.40	
		060201-	Mfg 2006	N-N-10		100 mm	JD-AH212102	80.88	
LIFT GATE	AH149815	060201-		P-UB-1	63 mm		JD-AH149815	96.10	
	AH149815	060201-		N-N-10		6	JD-AH167533	97.52	
MODEL 1812C									
BUCKET	AH163552		-2003	I,P-UB-1	45 mm		JD-AH149813	95.91	
	AH163552	-050001	2004-	I,P-UB-1	45 mm		JD-AH149813	95.91	
	AH163552		-2003	N-N-10		90 mm	JD-AH202290	25.40	
	AH163552	-050001	2004-	N-N-10		90 mm	JD-AH202290	25.40	
	AH216652	050002-	2004-	I,P-UB-1	45 mm		JD-AH149813	95.91	
	AH216652	050002-	2004-	N-N-10		90 mm	JD-AH212097	26.38	
GATE & WHEEL FRAME	AH166738		-2003	P-UB-1	63 mm		JD-AH149815	96.10	
	AH166738	-050004	2004-	P-UB-1	63 mm		JD-AH149815	96.10	
	AH166738		-2003	N-N-10		6	JD-AH167533	97.52	
	AH166738	-050004	2004-	N-N-10		6	JD-AH167533	97.52	
	AH216715	050005-	2004-	P-UB-1	63 mm		JD-AH149815	96.10	
	AH216715	050005-	2004-	N-N-10		6	JD-AH167533	97.52	
	MODEL 1814C								
	BUCKET	AH163552		-2003	I,P-UB-1	45 mm		JD-AH149813	95.91
AH163552		-050001	2004-	I,P-UB-1	45 mm		JD-AH149813	95.91	
AH163552			-2003	N-N-10		90 mm	JD-AH202290	25.40	
AH163552		-050001	2004-	N-N-10		90 mm	JD-AH202290	25.40	
AH216652		050002-	2004-	I,P-UB-1	45 mm		JD-AH149813	95.91	
AH216652		050002-	2004-	N-N-10		90 mm	JD-AH212097	26.38	
GATE & WHEEL FRAME	AH166738		-2003	P-UB-1	63 mm		JD-AH149815	96.10	
	AH166738	-050004	2004-	P-UB-1	63 mm		JD-AH149815	96.10	
	AH166738	-050004	2004-	N-N-10		6	JD-AH167533	97.52	
	AH166738	-050004	2004-	N-N-10		6	JD-AH167533	97.52	
	AH216715	050005-	2004-	P-UB-1	63 mm		JD-AH149815	96.10	
	AH216715	050005-	2004-	N-N-10		6	JD-AH167533	97.52	
	MODEL 2112C								
	BUCKET		060201-	Mfg 2006	P-UB-1	56 mm		JD-AH149814	94.40
		060201-	Mfg 2006	N-N-10		100 mm	JD-AH212102	80.88	
LIFT GATE	AH149815	060201-		P-UB-1	63 mm		JD-AH149815	96.10	
	AH149815	060201-		N-N-10		6	JD-AH167533	97.52	
MODEL 5010									
BOWL LIFT		All		P-V-8	2	4	JD-AR105387	95.14	
EJECTOR GATE		All		P-OB-8	1-1/2	2-1/2	JD-AR99785	33.53	
		All		P-V-8	1-1/2	2-1/2	JD-RE19217	48.59	
SCARIFIER		All		P-V-8	1-1/2	3	JD-AR105722	64.13	
SLIDING FLOOR		All		P-V-8	2	4-1/2	JD-AR105384	99.01	
Skidders									
APPLICATION	CYL #	SERIAL #	Misc	CODE	ROD	BORE	KIT #	List \$	
MODEL 340D									
BLADE LIFT		All		P-V-1	1-1/2		JD-RE14088	40.90	
		All		N-N-14		3-1/2	JD-RE16076	123.61	

LA - Long Arm LGP - Low Ground Pressure LT - Long Track MFW - Mechanical Front Wheel Drive MP - Multi-Purpose
 IDM - Inside Dozer Mount ODM - Outside Dozer Mount SLF - Super Long Front STD - Straight Dozer WT - Wide Track

FORMERLY LISTED REPAIR PARTS ARE AVAILABLE ONLINE AT WWW.HERCULESUS.COM
 OR BY CONTACTING YOUR REGIONAL HERCULES SALES TEAM.

JOHN DEERE®

Replacement Kits For

JOHN DEERE®

Skidders								
APPLICATION	CYL #	SERIAL #	Misc	CODE	ROD	BORE	KIT #	List \$
MODEL 340D								
STEERING		All		P-V-10	1-3/4	2-3/4	JD-AR105537	69.05
MODEL 440, 440A, 440B								
Backhoe Arrangement			93, 93A, 95, 95A					
BACKHOE BOOM		All		P-V-8	2-1/4	4-1/2	JD-RE10640	101.48
BACKHOE BUCKET		All		P-V-8	2-1/4	3-1/2	JD-RE18757	99.62
BACKHOE CROWD		All		P-V-8	2	4	JD-AR105387	95.14
BACKHOE STABILIZER		All	95, 95A	P-V-8	1-3/4	3	JD-RE18751	59.07
		All	93, 93A	P-V-8	1-3/4	3-1/2	JD-RE18754	92.49
FRONT BLADE		All		P-V-8	1-1/2	3	JD-AR105722	64.13
STEERING		All		P-U-1	2-5/8	3	JD-AT39022	33.68
		All		P-U-10	2-5/8	3	JD-AT38068	66.65
MODEL 440C Skidders/Grapple Skidders								
BLADE LIFT		-282545		P-V-8	1-1/2	3	JD-AR105722	64.13
		282546-		P-V-1	1-1/2		JD-RE14088	40.90
		282546-		N-N-14		3	JD-RE14082	113.14
BOOM		All		P-V-8	2	4	JD-AR105387	95.14
		All		P-V-1	2		JD-RE16119	42.77
		All		N-N-14		4	JD-RE16118	127.53
GRAPPLE		-405023		P-V-8	2-1/4	5-1/4	JD-AR105346	114.78
		405024-		P-V-1	2-1/4		JD-RE14208	61.15
		405024-		N-N-14		5-1/4	JD-RE14100	172.63
STEERING		400824-		P-V-10	1-3/4	2-3/4	JD-AR105537	69.05
		-400823		P-U-10	3	3-1/4	JD-RE19216	70.05
MODEL 440D, 448 Skidders/Grapple Skidders								
ARCH & BOOM		All	448D	P-V-1	2		JD-RE16119	42.77
		All	448D	N-N-14		4	JD-RE16118	127.53
BLADE LIFT		All		P-V-1	1-1/2		JD-RE14088	40.90
		All		N-N-14		3-1/2	JD-RE16076	123.61
GRAPPLE		-501505	448D	P-V-8	2-1/4	5-1/4	JD-AR105346	114.78
		501506-	448D	P-V-1	2-1/4		JD-RE14208	61.15
		501506-	448D	N-N-14		5-1/4	JD-RE14100	172.63
STEERING		All		P-V-10	1-3/4	2-3/4	JD-AR105537	69.05
MODEL 540, 540A								
FRONT BLADE		-119500, -40399		P-V-8	1-1/2	3	JD-AR105722	64.13
		119501-, 40400-		P-V-8	1-1/2	3-1/2	JD-AR105432	85.88
STEERING		All		P-UB-1	3	3-1/4	JD-AT39023	74.95
		All		P-U-10	3	3-1/4	JD-AT35142	104.90
MODEL 540B								
BLADE LIFT		-500808		P-V-8	1-1/2	3-1/2	JD-AR105432	85.88
		500809-		P-V-1	1-1/2		JD-RE14088	40.90
		500809-		N-N-14		3-1/2	JD-RE16076	123.61
BOOM		-500808		P-V-8	2	4	JD-AR105387	95.14
		500809-		P-V-1	2		JD-RE16119	42.77
		500809-		N-N-14		4	JD-RE16118	127.53
GRAPPLE		-501541		P-V-8	2-1/4	5-1/4	JD-AR105346	114.78
		501542-		P-V-1	2-1/4		JD-RE14208	61.15
		501542-		N-N-14		5-1/4	JD-RE14100	172.63
STEERING		400572-		P-V-10	1-3/4	2-3/4	JD-AR105537	69.05
		-400571		P-U-10	3	3-1/4	JD-RE19216	70.05
MODEL 540D, 548D Grapple Skidders								
BLADE LIFT		All		P-V-1	1-1/2		JD-RE14088	40.90
		All		N-N-14		3-1/2	JD-RE16076	123.61
BOOM		All	548D	P-V-1	2		JD-RE16119	42.77
		All	548D	N-N-14		4	JD-RE16118	127.53
GRAPPLE		All	548D	P-V-1	2-1/4		JD-RE14208	61.15

LA - Long Arm LGP - Low Ground Pressure LT - Long Track MFWD - Mechanical Front Wheel Drive MP - Multi-Purpose
 IDM - Inside Dozer Mount ODM - Outside Dozer Mount SLF - Super Long Front STD - Straight Dozer WT - Wide Track

JOHN DEERE®

Replacement Kits For

JOHN DEERE®

Skidders									
APPLICATION	CYL #	SERIAL #	Misc	CODE	ROD	BORE	KIT #	List \$	
MODEL 540D, 548D Grapple Skidders									
GRAPPLE		All	548D	N-N-14		5-1/4	JD-RE14100	172.63	
STEERING		All		P-V-10	1-3/4	2-3/4	JD-AR105537	69.05	
MODEL 640 Skidders/Grapple Skidders									
ARCH & BOOM		-500986		P-V-8	2	4	JD-AR105387	95.14	
		500987-		P-V-1	2		JD-RE16119	42.77	
		500987-		N-N-14		4	JD-RE16118	127.53	
BLADE LIFT		-500986		P-V-8	1-3/4	4	JD-RE10223	64.36	
		500987-		P-V-1	1-3/4		JD-RE30874	46.59	
		500987-		N-N-14		4	JD-RE16118	127.53	
BOOM (Single Function)		All		P-V-1	2		JD-RE16119	42.77	
		All		N-N-14		4	JD-RE14567	131.09	
GRAPPLE		-502132		P-V-8	2-1/2	5-1/2	JD-RE10224	155.16	
		502133-		P-V-1	2-1/2		JD-RE17345	74.95	
		502133-		N-N-14		5-1/2	JD-RE14102	199.15	
STEERING		All		I-U-10	3-3/8	3-5/8	JD-RE19227	68.89	
TILT		-503561		P-V-8	2-1/4	4-1/2	JD-AR105355	135.45	
		503562-		P-V-1	2-1/4		JD-RE14208	61.15	
		503562-		N-N-14		4-1/2	JD-RE14094	132.27	
MODEL 640D, 648D Grapple Skidders									
ARCH & BOOM		All	648D	P-V-1	2		JD-RE16119	42.77	
		All	648D	N-N-14		4	JD-RE16118	127.53	
BLADE LIFT		All		P-V-1	1-3/4		JD-RE30874	46.59	
		All		N-N-14		4	JD-RE16118	127.53	
BOOM (Single Function)		All	648D	P-V-1	2		JD-RE16119	42.77	
		All	648D	N-N-14		4	JD-RE14567	131.09	
GRAPPLE		All	648D	P-V-1	2-1/2		JD-RE17345	74.95	
		All	648D	N-N-14		5-1/2	JD-RE14102	199.15	
STEERING		All		P-V-1	1-3/4		JD-RE16209	50.07	
		All		N-N-14		3	JD-RE16208	111.63	
TILT		All		P-V-1	2-1/4		JD-RE14208	61.15	
		All		N-N-14		4-1/2	JD-RE14094	132.27	
MODEL 648H									
ARCH (LH)	AH215479	- 666892		N-N-10		100 mm	JD-AH212102	80.88	
	AH215479	- 666892		P-UB-1	56 mm		JD-AH149814	94.40	
ARCH (RH)	AH215485	- 666892		N-N-10		100 mm	JD-AH212102	80.88	
	AH215485	- 666892		P-UB-1	56 mm		JD-AH149814	94.40	
BLADE	AH223968	- 666892		N-N-10		90 mm	JD-AH212097	26.38	
	AH223968	- 666892		I,P-UB-1	45 mm		JD-AH149813	95.91	
BOOM	AH215291	- 666892		N-N-10		100 mm	JD-AH212102	80.88	
	AH215291	- 666892		P-UB-1	56 mm		JD-AH149814	94.40	
	AH227744	630436 - 666892		P-UB-1	63 mm		JD-AH149815	96.10	
	AH227744	630436 - 666892		N-N-14		115 mm	JD-AH212103	191.55	
GRAPPLE	AH143918	- 630435		P-UB-1	50 mm		JD-AH210484	66.46	
	AH143918	- 630435		N-N-10		100 mm	JD-AH212102	80.88	
	AH208835	- 630435; - 616181		N-N-14		115 mm	JD-AH212103	191.55	
	AH208835	- 630435; - 616181		P-UB-1	63 mm		JD-AH149815	96.10	
	AH209813	630436 - 666892		N-N-10		100 mm	JD-AH212102	80.88	
	AH209813	630436 - 666892		P-UB-1	50 mm		JD-AH210484	66.46	
	AH231019	- 666892		N-N-14		115 mm	JD-AH212103	191.55	
	AH231019	- 666892		P-UB-1	63 mm		JD-AH149815	96.10	
	AHC15842	630436 - 666892		N-N-14		125 mm	JD-AH163672	184.07	
	AHC15842	630436 - 666892		P-UB-1	63 mm		JD-AH149815	96.10	
	STEERING	AH213303	- 666892		N-N-14		90 mm	JD-AH212096	107.61
		AH213303	- 666892		P-UB-1	50 mm		JD-AH210484	66.46
AH219905		- 666892		P-UB-1	56 mm		JD-AH149814	94.40	

LA - Long Arm LGP - Low Ground Pressure LT - Long Track MFWD - Mechanical Front Wheel Drive MP - Multi-Purpose
 IDM - Inside Dozer Mount ODM - Outside Dozer Mount SLF - Super Long Front STD - Straight Dozer WT - Wide Track

FORMERLY LISTED REPAIR PARTS ARE AVAILABLE ONLINE AT WWW.HERCULESUS.COM
 OR BY CONTACTING YOUR REGIONAL HERCULES SALES TEAM.

Replacement Kits For

JOHN DEERE®

Skidders								
APPLICATION	CYL #	SERIAL #	Misc	CODE	ROD	BORE	KIT #	List \$
MODEL 648H								
STEERING	AH219905	- 666892		N-N-14		100 mm	JD-AH212101	129.27
TILT	AH216340	- 630435		I-U-1	32 mm		JD-AH149817	38.57
	AH216340	- 630435		N-N-10		63 mm	JD-AH161891	132.12
	AHC10202	- 666892		N-N-10		63 mm	JD-AH161891	132.12
	AHC10202	- 666892		I-U-1	32 mm		JD-AH149817	38.57
MODEL 740, 740A								
ARCH & BOOM		-708051		P-V-8	2	4-1/4	JD-AR105391	99.73
		708052-	740A	P-V-1	2		JD-RE30817	52.11
		708052-	740A	N-N-14		4-1/4	JD-RE17458	134.84
GRAPPLE		-708051		P-V-8	2-3/4	6-1/4	JD-RE18744	227.78
		708052-	740A	P-V-1	2-3/4		JD-RE17342	102.06
		708052-	740A	N-N-14		6-1/4	JD-RE14104	204.98
LIFT		-708051		P-V-8	2	5	JD-RE18743	87.64
		708052-	740A	P-V-1	2		JD-RE30817	52.11
		708052-	740A	N-N-14		5	JD-RE15905	163.31
STEERING		All		I-U-10	4-1/4	4.40	JD-RE19224	77.34
TILT		-708051		P-V-8	2-1/4	4-1/2	JD-AR105355	135.45
		708052-	740A	P-V-1	2-1/4		JD-RE14208	61.15
		708052-	740A	N-N-14		4-1/2	JD-RE14094	132.27
MODEL 3605 Grapple Skidders								
BOOM		10201-		P-V-8	1-3/4	3-1/2	JD-RE18754	92.49
GRAPPLE		10201-		P-V-8	1-3/4	3-1/2	JD-RE18754	92.49
Tractors								
APPLICATION	CYL #	SERIAL #	Misc	CODE	ROD	BORE	KIT #	List \$
MODEL 1023E (120R Loader)								
BOOM	AHC17721			I-U-1	25 mm		JD-AHC16980	20.54
	AHC17721			N-N-10,14		40 mm	JD-AHC17687	80.10
BUCKET	AHC10186			I-U-1	25 mm		JD-AHC16980	20.54
	AHC10186			N-N-10,14		40 mm	JD-AHC17687	80.10
MODEL 1023E (260B Backhoe)								
BOOM	LVA21151			P-U-10,12	1	2	JD-LVA22191	79.60
BUCKET	LVA22081			P-U-10,12	1	2	JD-LVA22191	79.60
	LVA22081			Unitized Piston		2	JD-M138572	159.45
DIPPERSTICK	LVA22082			P-UB-1	1-1/4		JD-LVA22193	151.27
	LVA22082			Unitized Piston		2-1/2	JD-LVA20429	252.37
STABILIZER	LVA23060			P-OB-10,12	1-1/8	2	JD-LVA23232	53.29
SWING	LVA23287			P-U-10,12	1-1/8	2-1/2	JD-LVA14998	95.90
MODEL 1023E (D120 Loader)								
BOOM	AHC17721			I-U-1	25 mm		JD-AHC16980	20.54
	AHC17721			N-N-10,14		40 mm	JD-AHC17687	80.10
BUCKET	AHC10186			I-U-1	25 mm		JD-AHC16980	20.54
	AHC10186			N-N-10,14		40 mm	JD-AHC17687	80.10
MODEL 1023E (H120 Loader)								
BOOM	AHC17721			I-U-1	25 mm		JD-AHC16980	20.54
	AHC17721			N-N-10,14		40 mm	JD-AHC17687	80.10
BUCKET	AHC10186			I-U-1	25 mm		JD-AHC16980	20.54
	AHC10186			N-N-10,14		40 mm	JD-AHC17687	80.10
MODEL 1025R (120R Loader)								
BOOM	AHC17721			I-U-1	25 mm		JD-AHC16980	20.54
	AHC17721			N-N-10,14		40 mm	JD-AHC17687	80.10
BUCKET	AHC10186			I-U-1	25 mm		JD-AHC16980	20.54
	AHC10186			N-N-10,14		40 mm	JD-AHC17687	80.10
MODEL 1025R (260B Backhoe)								
BOOM	LVA21151			P-U-10,12	1	2	JD-LVA22191	79.60
BUCKET	LVA22081			P-U-10,12	1	2	JD-LVA22191	79.60
	LVA22081			Unitized Piston		2	JD-M138572	159.45

LA - Long Arm LGP - Low Ground Pressure LT - Long Track MFWD - Mechanical Front Wheel Drive MP - Multi-Purpose
 IDM - Inside Dozer Mount ODM - Outside Dozer Mount SLF - Super Long Front STD - Straight Dozer WT - Wide Track

JOHN DEERE®

Replacement Kits For

JOHN DEERE®

Tractors								
APPLICATION	CYL #	SERIAL #	Misc	CODE	ROD	BORE	KIT #	List \$
MODEL 1025R (260B Backhoe)								
DIPPERSTICK	LVA22082			P-UB-1	1-1/4		JD-LVA22193	151.27
	LVA22082			Unitized Piston		2-1/2	JD-LVA20429	252.37
STABILIZER	LVA23060			P-OB-10,12	1-1/8	2	JD-LVA23232	53.29
SWING	LVA23287			P-U-10,12	1-1/8	2-1/2	JD-LVA14998	95.90
MODEL 1025R (D120 Loader)								
BOOM	AHC17721			I-U-1	25 mm		JD-AHC16980	20.54
	AHC17721			N-N-10,14		40 mm	JD-AHC17687	80.10
BUCKET	AHC10186			I-U-1	25 mm		JD-AHC16980	20.54
	AHC10186			N-N-10,14		40 mm	JD-AHC17687	80.10
MODEL 1025R (H120 Loader)								
BOOM	AHC17721			I-U-1	25 mm		JD-AHC16980	20.54
	AHC17721			N-N-10,14		40 mm	JD-AHC17687	80.10
BUCKET	AHC10186			I-U-1	25 mm		JD-AHC16980	20.54
	AHC10186			N-N-10,14		40 mm	JD-AHC17687	80.10
MODEL 2025R (120R Loader)								
BOOM	AHC17721			I-U-1	25 mm		JD-AHC16980	20.54
	AHC17721			N-N-10,14		40 mm	JD-AHC17687	80.10
BUCKET	AHC10186			I-U-1	25 mm		JD-AHC16980	20.54
	AHC10186			N-N-10,14		40 mm	JD-AHC17687	80.10
MODEL 2025R (260B Backhoe)								
BOOM	LVA21151			P-U-10,12	1	2	JD-LVA22191	79.60
BUCKET	LVA22081			P-U-10,12	1	2	JD-LVA22191	79.60
	LVA22081			Unitized Piston		2	JD-M138572	159.45
DIPPERSTICK	LVA22082			P-UB-1	1-1/4		JD-LVA22193	151.27
	LVA22082			Unitized Piston		2-1/2	JD-LVA20429	252.37
STABILIZER	LVA23060			P-OB-10,12	1-1/8	2	JD-LVA23232	53.29
SWING	LVA23287			P-U-10,12	1-1/8	2-1/2	JD-LVA14998	95.90
MODEL 2032R (220R Loader)								
BOOM	AHC15822			I-U-1	25 mm		JD-AHC16980	20.54
	AHC15822			N-N-10,14		40 mm	JD-AHC17687	80.10
BUCKET	AHC16955			I-U-1	28 mm		JD-AHC16981	14.95
	AHC16955			N-N-10		45 mm	JD-AHC16964	33.73
MODEL 2032R (270B Backhoe)								
BOOM	LVA21151			P-U-10,12	1	2	JD-LVA22191	79.60
BUCKET	LVA22081	-010914		P-U-10,12	1	2	JD-LVA22191	79.60
	LVA22081	-010914		Unitized Piston		2	JD-M138572	159.45
	LVA23923	010915-		P-UB-1	1-1/4		JD-LVA23924	131.21
	LVA23923	010915-		Unitized Piston		2	JD-M138572	159.45
DIPPERSTICK	LVA22189			P-UB-1	1-1/4		JD-LVA22193	151.27
	LVA22189			Unitized Piston		2-1/2	JD-LVA20429	252.37
STABILIZER	LVA22080			P-OB-10	1-1/8	2	JD-LVA22190	154.76
SWING	LVA23287			P-U-10,12	1-1/8	2-1/2	JD-LVA14998	95.90
MODEL 2038R (220R Loader)								
BOOM	AHC15822			I-U-1	25 mm		JD-AHC16980	20.54
	AHC15822			N-N-10,14		40 mm	JD-AHC17687	80.10
BUCKET	AHC16955			I-U-1	28 mm		JD-AHC16981	14.95
	AHC16955			N-N-10		45 mm	JD-AHC16964	33.73
MODEL 2038R (270B Backhoe)								
BOOM	LVA21151			P-U-10,12	1	2	JD-LVA22191	79.60
BUCKET	LVA22081	-010914		P-U-10,12	1	2	JD-LVA22191	79.60
	LVA22081	-010914		Unitized Piston		2	JD-M138572	159.45
	LVA23923	010915-		P-UB-1	1-1/4		JD-LVA23924	131.21
	LVA23923	010915-		Unitized Piston		2	JD-M138572	159.45
DIPPERSTICK	LVA22189			P-UB-1	1-1/4		JD-LVA22193	151.27
	LVA22189			Unitized Piston		2-1/2	JD-LVA20429	252.37
STABILIZER	LVA22080			P-OB-10	1-1/8	2	JD-LVA22190	154.76

LA - Long Arm LGP - Low Ground Pressure LT - Long Track MFWD - Mechanical Front Wheel Drive MP - Multi-Purpose
 IDM - Inside Dozer Mount ODM - Outside Dozer Mount SLF - Super Long Front STD - Straight Dozer WT - Wide Track

FORMERLY LISTED REPAIR PARTS ARE AVAILABLE ONLINE AT WWW.HERCULESUS.COM
 OR BY CONTACTING YOUR REGIONAL HERCULES SALES TEAM.

Replacement Kits For

JOHN DEERE®

Tractors								
APPLICATION	CYL #	SERIAL #	Misc	CODE	ROD	BORE	KIT #	List \$
MODEL 2038R (270B Backhoe)								
SWING	LVA23287			P-U-10,12	1-1/8	2-1/2	JD-LVA14998	95.90
MODEL 3025E (300E Loader)								
BOOM	AH231644			I-U-1	25 mm		JD-AHC16980	20.54
	AH231644			N-N-10,14		40 mm	JD-AHC17687	80.10
BUCKET	AH232743			I-U-1	28 mm		JD-AHC16981	14.95
	AH232743			N-N-10,14		40 mm	JD-AHC17687	80.10
MODEL 3032E (300E Loader)								
BOOM	AH231644			I-U-1	25 mm		JD-AHC16980	20.54
	AH231644			N-N-10,14		40 mm	JD-AHC17687	80.10
BUCKET	AH232743			I-U-1	28 mm		JD-AHC16981	14.95
	AH232743			N-N-10,14		40 mm	JD-AHC17687	80.10
MODEL 3033R (300R Loader)								
BOOM	AH213992			I-U-1	28 mm		JD-AHC16981	14.95
	AH213992			N-N-10		45 mm	JD-AHC16964	33.73
BUCKET	AH210823			I,P-U-1	32 mm		JD-AHC16982	29.99
	AH210823			N-N-10		50 mm	JD-AHC16965	43.97
MODEL 3033R (320R Loader)								
BOOM	AH210819			I,P-U-1	32 mm		JD-AHC16982	29.99
	AH210819			N-N-10		50 mm	JD-AHC16965	43.97
BUCKET	AH210821			I,P-U-1	32 mm		JD-AHC16982	29.99
	AH210821			N-N-10		50 mm	JD-AHC16965	43.97
MODEL 3033R (375A Backhoe)								
BOOM	LVA23092			P-UB-10,12	1-1/4	2-1/2	JD-LVA23094	95.67
BUCKET	LVA19372			P-UB-1	1-1/4		JD-AM127938	147.98
	LVA19372			Unitized Piston		2-1/4	JD-M138574	159.51
DIPPERSTICK	LVA19369			P-UB-1	1-1/2		JD-LVA20425	88.30
	LVA19369			Unitized Piston		3	JD-LVU12341	178.30
STABILIZER LH	LVA20375			P-OB-3	1-1/8	2	JD-AM36221	40.36
STABILIZER RH	AM127643			P-OB-3	1-1/8	2	JD-AM36221	40.36
SWING	AM127640	-050030		P-U-10	1	1-3/4	JD-AM127928	40.38
	AM127640	-050030		Unitized Piston		2	JD-M138572	159.45
	LVA23173	050031-		P-U-10,12	1	2	JD-LVA22191	79.60
	LVA23173	050031-		Unitized Piston		2	JD-M138572	159.45
MODEL 3033R								
STEERING	LVA14159			I-U-10	22 mm	45 mm	JD-LVA14168	58.05
MODEL 3038E (300E Loader)								
BOOM	AH231644			I-U-1	25 mm		JD-AHC16980	20.54
	AH231644			N-N-10,14		40 mm	JD-AHC17687	80.10
BUCKET	AH232743			I-U-1	28 mm		JD-AHC16981	14.95
	AH232743			N-N-10,14		40 mm	JD-AHC17687	80.10
MODEL 3039R (300R Loader)								
BOOM	AH213992			I-U-1	28 mm		JD-AHC16981	14.95
	AH213992			N-N-10		45 mm	JD-AHC16964	33.73
BUCKET	AH210823			I,P-U-1	32 mm		JD-AHC16982	29.99
	AH210823			N-N-10		50 mm	JD-AHC16965	43.97
MODEL 3039R (320R Loader)								
BOOM	AH210819			I,P-U-1	32 mm		JD-AHC16982	29.99
	AH210819			N-N-10		50 mm	JD-AHC16965	43.97
BUCKET	AH210821			I,P-U-1	32 mm		JD-AHC16982	29.99
	AH210821			N-N-10		50 mm	JD-AHC16965	43.97
MODEL 3039R (375A Backhoe)								
BOOM	LVA23092			P-UB-10,12	1-1/4	2-1/2	JD-LVA23094	95.67
BUCKET	LVA19372			P-UB-1	1-1/4		JD-AM127938	147.98
	LVA19372			Unitized Piston		2-1/4	JD-M138574	159.51
DIPPERSTICK	LVA19369			P-UB-1	1-1/2		JD-LVA20425	88.30
	LVA19369			Unitized Piston		3	JD-LVU12341	178.30

LA - Long Arm LGP - Low Ground Pressure LT - Long Track MFWD - Mechanical Front Wheel Drive MP - Multi-Purpose
 IDM - Inside Dozer Mount ODM - Outside Dozer Mount SLF - Super Long Front STD - Straight Dozer WT - Wide Track

Replacement Kits For

JOHN DEERE®

Tractors								
APPLICATION	CYL #	SERIAL #	Misc	CODE	ROD	BORE	KIT #	List \$
MODEL 3039R (375A Backhoe)								
STABILIZER LH	LVA20375			P-OB-3	1-1/8	2	JD-AM36221	40.36
STABILIZER RH	AM127643			P-OB-3	1-1/8	2	JD-AM36221	40.36
SWING	AM127640	-050030		P-U-10	1	1-3/4	JD-AM127928	40.38
	AM127640	-050030		Unitized Piston		2	JD-M138572	159.45
	LVA23173	050031-		P-U-10,12	1	2	JD-LVA22191	79.60
	LVA23173	050031-		Unitized Piston		2	JD-M138572	159.45
MODEL 3039R								
STEERING	LVA14159			I-U-10	22 mm	45 mm	JD-LVA14168	58.05
MODEL 3046R (300R Loader)								
BOOM	AH213992			I-U-1	28 mm		JD-AHC16981	14.95
	AH213992			N-N-10		45 mm	JD-AHC16964	33.73
BUCKET	AH210823			I,P-U-1	32 mm		JD-AHC16982	29.99
	AH210823			N-N-10		50 mm	JD-AHC16965	43.97
MODEL 3046R (320R Loader)								
BOOM	AH210819			I,P-U-1	32 mm		JD-AHC16982	29.99
	AH210819			N-N-10		50 mm	JD-AHC16965	43.97
BUCKET	AH210821			I,P-U-1	32 mm		JD-AHC16982	29.99
	AH210821			N-N-10		50 mm	JD-AHC16965	43.97
MODEL 3046R (375A Backhoe)								
BOOM	LVA23092			P-UB-10,12	1-1/4	2-1/2	JD-LVA23094	95.67
BUCKET	LVA19372			P-UB-1	1-1/4		JD-AM127938	147.98
	LVA19372			Unitized Piston		2-1/4	JD-M138574	159.51
DIPPERSTICK	LVA19369			P-UB-1	1-1/2		JD-LVA20425	88.30
	LVA19369			Unitized Piston		3	JD-LVU12341	178.30
STABILIZER LH	LVA20375			P-OB-3	1-1/8	2	JD-AM36221	40.36
STABILIZER RH	AM127643			P-OB-3	1-1/8	2	JD-AM36221	40.36
SWING	AM127640	-050030		P-U-10	1	1-3/4	JD-AM127928	40.38
	AM127640	-050030		Unitized Piston		2	JD-M138572	159.45
	LVA23173	050031-		P-U-10,12	1	2	JD-LVA22191	79.60
	LVA23173	050031-		Unitized Piston		2	JD-M138572	159.45
MODEL 3046R								
STEERING	LVA14159			I-U-10	22 mm	45 mm	JD-LVA14168	58.05
MODEL 4044M (400E Loader)								
BOOM	AHC13621			I,P-U-1	32 mm		JD-AHC16982	29.99
	AHC13621			N-N-10		56 mm	JD-AHC16966	42.68
BUCKET	AHC13628			I,P-U-1	32 mm		JD-AHC16982	29.99
	AHC13628			N-N-10		56 mm	JD-AHC16966	42.68
MODEL 4044M (D170 Loader)								
BOOM	AHC13621			I,P-U-1	32 mm		JD-AHC16982	29.99
	AHC13621			N-N-10		56 mm	JD-AHC16966	42.68
BUCKET	AHC13628			I,P-U-1	32 mm		JD-AHC16982	29.99
	AHC13628			N-N-10		56 mm	JD-AHC16966	42.68
MODEL 4044R (400E Loader)								
BOOM	AHC13621			I,P-U-1	32 mm		JD-AHC16982	29.99
	AHC13621			N-N-10		56 mm	JD-AHC16966	42.68
BUCKET	AHC13628			I,P-U-1	32 mm		JD-AHC16982	29.99
	AHC13628			N-N-10		56 mm	JD-AHC16966	42.68
MODEL 4044R (440R Loader)								
BOOM	AHC13601			I,P-U-1	32 mm		JD-AHC16982	29.99
	AHC13601			N-N-10		56 mm	JD-AHC16966	42.68
	AHC13613			I,P-U-1	32 mm		JD-AHC16982	29.99
	AHC13613			N-N-10		56 mm	JD-AHC16966	42.68
BUCKET	AHC13607			I,P-U-1	32 mm		JD-AHC16982	29.99
	AHC13607			N-N-10		50 mm	JD-AHC16965	43.97
	AHC13616			I,P-U-1	32 mm		JD-AHC16982	29.99
	AHC13616			N-N-10		56 mm	JD-AHC16966	42.68

LA - Long Arm LGP - Low Ground Pressure LT - Long Track MFWD - Mechanical Front Wheel Drive MP - Multi-Purpose
 IDM - Inside Dozer Mount ODM - Outside Dozer Mount SLF - Super Long Front STD - Straight Dozer WT - Wide Track

FORMERLY LISTED REPAIR PARTS ARE AVAILABLE ONLINE AT WWW.HERCULESUS.COM
 OR BY CONTACTING YOUR REGIONAL HERCULES SALES TEAM.

Replacement Kits For

JOHN DEERE®

Tractors								
APPLICATION	CYL #	SERIAL #	Misc	CODE	ROD	BORE	KIT #	List \$
MODEL 4044R (D170 Loader)								
BOOM	AHC13621			I,P-U-1	32 mm		JD-AHC16982	29.99
	AHC13621			N-N-10		56 mm	JD-AHC16966	42.68
BUCKET	AHC13628			I,P-U-1	32 mm		JD-AHC16982	29.99
	AHC13628			N-N-10		56 mm	JD-AHC16966	42.68
MODEL 4044R (H180 Loader)								
BOOM	AHC13601			I,P-U-1	32 mm		JD-AHC16982	29.99
	AHC13601			N-N-10		56 mm	JD-AHC16966	42.68
BUCKET	AHC13607			I,P-U-1	32 mm		JD-AHC16982	29.99
	AHC13607			N-N-10		50 mm	JD-AHC16965	43.97
MODEL 4052M (400E Loader)								
BOOM	AHC13621			I,P-U-1	32 mm		JD-AHC16982	29.99
	AHC13621			N-N-10		56 mm	JD-AHC16966	42.68
BUCKET	AHC13628			I,P-U-1	32 mm		JD-AHC16982	29.99
	AHC13628			N-N-10		56 mm	JD-AHC16966	42.68
MODEL 4052M (D170 Loader)								
BOOM	AHC13621			I,P-U-1	32 mm		JD-AHC16982	29.99
	AHC13621			N-N-10		56 mm	JD-AHC16966	42.68
BUCKET	AHC13628			I,P-U-1	32 mm		JD-AHC16982	29.99
	AHC13628			N-N-10		56 mm	JD-AHC16966	42.68
MODEL 4052R (400E Loader)								
BOOM	AHC13621			I,P-U-1	32 mm		JD-AHC16982	29.99
	AHC13621			N-N-10		56 mm	JD-AHC16966	42.68
BUCKET	AHC13628			I,P-U-1	32 mm		JD-AHC16982	29.99
	AHC13628			N-N-10		56 mm	JD-AHC16966	42.68
MODEL 4052R (440R Loader)								
BOOM	AHC13601			I,P-U-1	32 mm		JD-AHC16982	29.99
	AHC13601			N-N-10		56 mm	JD-AHC16966	42.68
	AHC13613			I,P-U-1	32 mm		JD-AHC16982	29.99
	AHC13613			N-N-10		56 mm	JD-AHC16966	42.68
BUCKET	AHC13607			I,P-U-1	32 mm		JD-AHC16982	29.99
	AHC13607			N-N-10		50 mm	JD-AHC16965	43.97
	AHC13616			I,P-U-1	32 mm		JD-AHC16982	29.99
	AHC13616			N-N-10		56 mm	JD-AHC16966	42.68
MODEL 4052R (D170 Loader)								
BOOM	AHC13621			I,P-U-1	32 mm		JD-AHC16982	29.99
	AHC13621			N-N-10		56 mm	JD-AHC16966	42.68
BUCKET	AHC13628			I,P-U-1	32 mm		JD-AHC16982	29.99
	AHC13628			N-N-10		56 mm	JD-AHC16966	42.68
MODEL 4052R (H180 Loader)								
BOOM	AHC13601			I,P-U-1	32 mm		JD-AHC16982	29.99
	AHC13601			N-N-10		56 mm	JD-AHC16966	42.68
BUCKET	AHC13607			I,P-U-1	32 mm		JD-AHC16982	29.99
	AHC13607			N-N-10		50 mm	JD-AHC16965	43.97
MODEL 4066M (400E Loader)								
BOOM	AHC13621			I,P-U-1	32 mm		JD-AHC16982	29.99
	AHC13621			N-N-10		56 mm	JD-AHC16966	42.68
BUCKET	AHC13628			I,P-U-1	32 mm		JD-AHC16982	29.99
	AHC13628			N-N-10		56 mm	JD-AHC16966	42.68
MODEL 4066M (D170 Loader)								
BOOM	AHC13621			I,P-U-1	32 mm		JD-AHC16982	29.99
	AHC13621			N-N-10		56 mm	JD-AHC16966	42.68
BUCKET	AHC13628			I,P-U-1	32 mm		JD-AHC16982	29.99
	AHC13628			N-N-10		56 mm	JD-AHC16966	42.68
MODEL 4066R (400E Loader)								
BOOM	AHC13621			I,P-U-1	32 mm		JD-AHC16982	29.99
	AHC13621			N-N-10		56 mm	JD-AHC16966	42.68

LA - Long Arm LGP - Low Ground Pressure LT - Long Track MFWD - Mechanical Front Wheel Drive MP - Multi-Purpose
 IDM - Inside Dozer Mount ODM - Outside Dozer Mount SLF - Super Long Front STD - Straight Dozer WT - Wide Track

NORTH AMERICA
 PHONE 1-800-777-5617
 FAX 1-800-759-6391

SALES OFFICE HOURS
 8 A.M. TO 8:00 P.M. EASTERN TIME
 www.HerculesUS.com

WORLDWIDE
 PHONE 1-727-796-1300
 FAX 1-727-797-8849

HERCULES
 SEALING PRODUCTS

Replacement Kits For

JOHN DEERE®

Tractors								
APPLICATION	CYL #	SERIAL #	Misc	CODE	ROD	BORE	KIT #	List \$
MODEL 4066R (400E Loader)								
BUCKET	AHC13628			I,P-U-1	32 mm		JD-AHC16982	29.99
	AHC13628			N-N-10		56 mm	JD-AHC16966	42.68
MODEL 4066R (440R Loader)								
BOOM	AHC13601			I,P-U-1	32 mm		JD-AHC16982	29.99
	AHC13601			N-N-10		56 mm	JD-AHC16966	42.68
	AHC13613			I,P-U-1	32 mm		JD-AHC16982	29.99
	AHC13613			N-N-10		56 mm	JD-AHC16966	42.68
BUCKET	AHC13607			I,P-U-1	32 mm		JD-AHC16982	29.99
	AHC13607			N-N-10		50 mm	JD-AHC16965	43.97
	AHC13616			I,P-U-1	32 mm		JD-AHC16982	29.99
	AHC13616			N-N-10		56 mm	JD-AHC16966	42.68
MODEL 4066R (D170 Loader)								
BOOM	AHC13621			I,P-U-1	32 mm		JD-AHC16982	29.99
	AHC13621			N-N-10		56 mm	JD-AHC16966	42.68
BUCKET	AHC13628			I,P-U-1	32 mm		JD-AHC16982	29.99
	AHC13628			N-N-10		56 mm	JD-AHC16966	42.68
MODEL 4066R (H180 Loader)								
BOOM	AHC13601			I,P-U-1	32 mm		JD-AHC16982	29.99
	AHC13601			N-N-10		56 mm	JD-AHC16966	42.68
BUCKET	AHC13607			I,P-U-1	32 mm		JD-AHC16982	29.99
	AHC13607			N-N-10		50 mm	JD-AHC16965	43.97
MODEL 4105 (300 Loader)								
BOOM	AH213993			I-U-1	28 mm		JD-AHC16981	14.95
	AH213993			N-N-10,14		40 mm	JD-AHC17687	80.10
BUCKET	AH212554			I-U-1	28 mm		JD-AHC16981	14.95
	AH212554			N-N-10,14		40 mm	JD-AHC17687	80.10
MODEL 4105 (300CX Loader)								
ANGLING	WP000229			I-N-8	1-1/2	2	JD-PT5173	74.97
BOOM	AH210819			I,P-U-1	32 mm		JD-AHC16982	29.99
	AH210819			N-N-10		50 mm	JD-AHC16965	43.97
BUCKET	AH210821			I,P-U-1	32 mm		JD-AHC16982	29.99
	AH210821			N-N-10		50 mm	JD-AHC16965	43.97
BUCKET 4-in-1	WP000204			P-U-10	1-1/8	1-3/4	JD-WP903065	83.52
GRAPPLE	WP000206			P-V-8	1	2	JD-PT8230	134.35
MODEL 4105 (300X Loader)								
BOOM	AH213992			I-U-1	28 mm		JD-AHC16981	14.95
	AH213992			N-N-10		45 mm	JD-AHC16964	33.73
BUCKET	AH210823			I,P-U-1	32 mm		JD-AHC16982	29.99
	AH210823			N-N-10		50 mm	JD-AHC16965	43.97
MODEL 4105 (H165 Loader)								
ANGLING	WP000229			I-N-8	1-1/2	2	JD-PT5173	74.97
BOOM	AH210819			I,P-U-1	32 mm		JD-AHC16982	29.99
	AH210819			N-N-10		50 mm	JD-AHC16965	43.97
BUCKET	AH210821			I,P-U-1	32 mm		JD-AHC16982	29.99
	AH210821			N-N-10		50 mm	JD-AHC16965	43.97
	AH210823			I,P-U-1	32 mm		JD-AHC16982	29.99
	AH210823			N-N-10		50 mm	JD-AHC16965	43.97
BUCKET 4-in-1	WP000204			P-U-10	1-1/8	1-3/4	JD-WP903065	83.52
GRAPPLE	WP000206			P-V-8	1	2	JD-PT8230	134.35
MODEL 5045E (512 Loader)								
BUCKET	AHC14610			I,P-U-1	32 mm		JD-AHC16982	29.99
	AHC14610			N-N-10		56 mm	JD-AHC16966	42.68
LIFT LH	AHC14617			I,P-U-1	32 mm		JD-AHC16982	29.99
	AHC14617			N-N-10		56 mm	JD-AHC16966	42.68
LIFT RH	AHC14613			I,P-U-1	32 mm		JD-AHC16982	29.99
	AHC14613			N-N-10		56 mm	JD-AHC16966	42.68

LA - Long Arm LGP - Low Ground Pressure LT - Long Track MFWD - Mechanical Front Wheel Drive MP - Multi-Purpose
 IDM - Inside Dozer Mount ODM - Outside Dozer Mount SLF - Super Long Front STD - Straight Dozer WT - Wide Track

FORMERLY LISTED REPAIR PARTS ARE AVAILABLE ONLINE AT WWW.HERCULESUS.COM
 OR BY CONTACTING YOUR REGIONAL HERCULES SALES TEAM.

Replacement Kits For

JOHN DEERE®

Tractors								
APPLICATION	CYL #	SERIAL #	Misc	CODE	ROD	BORE	KIT #	List \$
MODEL 5045E (520M Loader)								
BUCKET	AHC13479			I,P-UB-1	40 mm		JD-AHC13485	107.05
	AHC13479			N-N-10		70 mm	JD-AH212090	20.04
	AHC13479			Unitized Piston		70 mm	JD-AHC10478	191.38
	AHC13858			I,P-UB-1	40 mm		JD-AHC13485	107.05
	AHC13858			N-N-10		63 mm	JD-AH212088	21.44
GRAPPLE	WP000217			P-UB-1	1-1/2		JD-WP908140	133.01
LIFT	AHC14029			I,P-UB-1	40 mm		JD-AHC13485	107.05
	AHC14029			N-N-10		70 mm	JD-AH212090	20.04
	AHC14029			Unitized Piston		70 mm	JD-AH158623	170.93
	AHC14033			I,P-UB-1	40 mm		JD-AHC13485	107.05
	AHC14033			N-N-10		70 mm	JD-AH212090	20.04
MODEL 5055E (512 Loader)								
BUCKET	AHC14610			I,P-U-1	32 mm		JD-AHC16982	29.99
	AHC14610			N-N-10		56 mm	JD-AHC16966	42.68
LIFT LH	AHC14617			I,P-U-1	32 mm		JD-AHC16982	29.99
	AHC14617			N-N-10		56 mm	JD-AHC16966	42.68
LIFT RH	AHC14613			I,P-U-1	32 mm		JD-AHC16982	29.99
	AHC14613			N-N-10		56 mm	JD-AHC16966	42.68
MODEL 5055E (520M Loader)								
BUCKET	AHC13479			I,P-UB-1	40 mm		JD-AHC13485	107.05
	AHC13479			N-N-10		70 mm	JD-AH212090	20.04
	AHC13479			Unitized Piston		70 mm	JD-AHC10478	191.38
	AHC13858			I,P-UB-1	40 mm		JD-AHC13485	107.05
	AHC13858			N-N-10		63 mm	JD-AH212088	21.44
GRAPPLE	WP000217			P-UB-1	1-1/2		JD-WP908140	133.01
LIFT	AHC14029			I,P-UB-1	40 mm		JD-AHC13485	107.05
	AHC14029			N-N-10		70 mm	JD-AH212090	20.04
	AHC14029			Unitized Piston		70 mm	JD-AH158623	170.93
	AHC14033			I,P-UB-1	40 mm		JD-AHC13485	107.05
	AHC14033			N-N-10		70 mm	JD-AH212090	20.04
MODEL 5065E (512 Loader)								
BUCKET	AHC14610			I,P-U-1	32 mm		JD-AHC16982	29.99
	AHC14610			N-N-10		56 mm	JD-AHC16966	42.68
LIFT LH	AHC14617			I,P-U-1	32 mm		JD-AHC16982	29.99
	AHC14617			N-N-10		56 mm	JD-AHC16966	42.68
LIFT RH	AHC14613			I,P-U-1	32 mm		JD-AHC16982	29.99
	AHC14613			N-N-10		56 mm	JD-AHC16966	42.68
MODEL 5065E (520M Loader)								
BUCKET	AHC13479			I,P-UB-1	40 mm		JD-AHC13485	107.05
	AHC13479			N-N-10		70 mm	JD-AH212090	20.04
	AHC13479			Unitized Piston		70 mm	JD-AHC10478	191.38
	AHC13858			I,P-UB-1	40 mm		JD-AHC13485	107.05
	AHC13858			N-N-10		63 mm	JD-AH212088	21.44
GRAPPLE	WP000217			P-UB-1	1-1/2		JD-WP908140	133.01
LIFT	AHC14029			I,P-UB-1	40 mm		JD-AHC13485	107.05
	AHC14029			N-N-10		70 mm	JD-AH212090	20.04
	AHC14029			Unitized Piston		70 mm	JD-AH158623	170.93
	AHC14033			I,P-UB-1	40 mm		JD-AHC13485	107.05
	AHC14033			N-N-10		70 mm	JD-AH212090	20.04
MODEL 5075E (512 Loader)								
BUCKET	AHC14610			I,P-U-1	32 mm		JD-AHC16982	29.99
	AHC14610			N-N-10		56 mm	JD-AHC16966	42.68
LIFT LH	AHC14617			I,P-U-1	32 mm		JD-AHC16982	29.99
	AHC14617			N-N-10		56 mm	JD-AHC16966	42.68
LIFT RH	AHC14613			I,P-U-1	32 mm		JD-AHC16982	29.99

LA - Long Arm LGP - Low Ground Pressure LT - Long Track MFWD - Mechanical Front Wheel Drive MP - Multi-Purpose
 IDM - Inside Dozer Mount ODM - Outside Dozer Mount SLF - Super Long Front STD - Straight Dozer WT - Wide Track

Replacement Kits For

JOHN DEERE®

Tractors								
APPLICATION	CYL #	SERIAL #	Misc	CODE	ROD	BORE	KIT #	List \$
MODEL 5075E (512 Loader)								
LIFT RH	AHC14613			N-N-10		56 mm	JD-AHC16966	42.68
MODEL 5075E (520M Loader)								
BUCKET	AHC13479			I,P-UB-1	40 mm		JD-AHC13485	107.05
	AHC13479			N-N-10		70 mm	JD-AH212090	20.04
	AHC13479			Unitized Piston		70 mm	JD-AHC10478	191.38
	AHC13858			I,P-UB-1	40 mm		JD-AHC13485	107.05
	AHC13858			N-N-10		63 mm	JD-AH212088	21.44
GRAPPLE	WP000217			P-UB-1	1-1/2		JD-WP908140	133.01
LIFT	AHC14029			I,P-UB-1	40 mm		JD-AHC13485	107.05
	AHC14029			N-N-10		70 mm	JD-AH212090	20.04
	AHC14029			Unitized Piston		70 mm	JD-AH158623	170.93
	AHC14033			I,P-UB-1	40 mm		JD-AHC13485	107.05
	AHC14033			N-N-10		70 mm	JD-AH212090	20.04
MODEL 5085E (520M Loader)								
BUCKET	AHC13479			I,P-UB-1	40 mm		JD-AHC13485	107.05
	AHC13479			N-N-10		70 mm	JD-AH212090	20.04
	AHC13479			Unitized Piston		70 mm	JD-AHC10478	191.38
	AHC13858			I,P-UB-1	40 mm		JD-AHC13485	107.05
	AHC13858			N-N-10		63 mm	JD-AH212088	21.44
GRAPPLE	WP000217			P-UB-1	1-1/2		JD-WP908140	133.01
LIFT	AHC14029			I,P-UB-1	40 mm		JD-AHC13485	107.05
	AHC14029			N-N-10		70 mm	JD-AH212090	20.04
	AHC14029			Unitized Piston		70 mm	JD-AH158623	170.93
	AHC14033			I,P-UB-1	40 mm		JD-AHC13485	107.05
	AHC14033			N-N-10		70 mm	JD-AH212090	20.04
MODEL 5100E (520M Loader)								
BUCKET	AHC13479			I,P-UB-1	40 mm		JD-AHC13485	107.05
	AHC13479			N-N-10		70 mm	JD-AH212090	20.04
	AHC13479			Unitized Piston		70 mm	JD-AHC10478	191.38
	AHC13858			I,P-UB-1	40 mm		JD-AHC13485	107.05
	AHC13858			N-N-10		63 mm	JD-AH212088	21.44
GRAPPLE	WP000217			P-UB-1	1-1/2		JD-WP908140	133.01
LIFT	AHC14029			I,P-UB-1	40 mm		JD-AHC13485	107.05
	AHC14029			N-N-10		70 mm	JD-AH212090	20.04
	AHC14029			Unitized Piston		70 mm	JD-AH158623	170.93
	AHC14033			I,P-UB-1	40 mm		JD-AHC13485	107.05
	AHC14033			N-N-10		70 mm	JD-AH212090	20.04
MODEL 6115M (H130 Loader)								
BUCKET	AHC10186			I-U-1	25 mm		JD-AHC16980	20.54
	AHC10186			N-N-10,14		40 mm	JD-AHC17687	80.10
LIFT	AH217183			I-U-1	25 mm		JD-AHC16980	20.54
	AH217183			N-N-10,14		40 mm	JD-AHC17687	80.10
MODEL 6115M (H340 Loader)								
BOOM	AHC10578			I,P-UB-1	45 mm		JD-AHC11572	135.92
	AHC10578			N-N-10		80 mm	JD-AH212092	59.07
	AHC10578			Unitized Piston		80 mm	JD-RE33968	261.10
	AHC11813	-145042		I,P-UB-1	45 mm		JD-AHC11572	135.92
	AHC11813	-145042		N-N-10		80 mm	JD-AH212092	59.07
	AHC11813	-145042		Unitized Piston		80 mm	JD-RE33968	261.10
	AHC11817	-142279		I,P-UB-1	45 mm		JD-AHC11572	135.92
	AHC11817	-142279		N-N-10		80 mm	JD-AH212092	59.07
	AHC11817	-142279		Unitized Piston		80 mm	JD-RE33968	261.10
	AHC14098	145043-		I,P-UB-1	45 mm		JD-AHC11572	135.92
	AHC14098	145043-		N-N-10		80 mm	JD-AH212092	59.07
	AHC14098	145043-		Unitized Piston		80 mm	JD-RE33968	261.10

LA - Long Arm LGP - Low Ground Pressure LT - Long Track MFWD - Mechanical Front Wheel Drive MP - Multi-Purpose
 IDM - Inside Dozer Mount ODM - Outside Dozer Mount SLF - Super Long Front STD - Straight Dozer WT - Wide Track

FORMERLY LISTED REPAIR PARTS ARE AVAILABLE ONLINE AT WWW.HERCULESUS.COM
 OR BY CONTACTING YOUR REGIONAL HERCULES SALES TEAM.

Replacement Kits For

JOHN DEERE®

Tractors									
APPLICATION	CYL #	SERIAL #	Misc	CODE	ROD	BORE	KIT #	List \$	
MODEL 6115M (H340 Loader)									
BOOM	AHC15375	142280-		I,P-UB-1	45 mm		JD-AHC11572	135.92	
	AHC15375	142280-		N-N-10		80 mm	JD-AH212092	59.07	
	AHC15375	142280-		Unitized Piston		80 mm	JD-RE33968	261.10	
BUCKET	AHC11815			I,P-UB-1	40 mm		JD-AHC13485	107.05	
	AHC11815			N-N-10		70 mm	JD-AH212090	20.04	
	AHC11815			Unitized Piston		70 mm	JD-AHC10478	191.38	
	AHC12621			I,P-UB-1	40 mm		JD-AHC13485	107.05	
	AHC12621			N-N-10		70 mm	JD-AH212090	20.04	
	AHC12621			N-N-10		2-1/4	JD-AH164325	33.68	
	AHC12621			Unitized Piston		70 mm	JD-AHC10478	191.38	
	AHC15587			I,P-UB-1	40 mm		JD-AHC13485	107.05	
	AHC15587			N-N-10		80 mm	JD-AH212092	59.07	
	AHC15587			N-N-10		2-1/4	JD-AH164325	33.68	
	AHC15635			I,P-UB-1	40 mm		JD-AHC13485	107.05	
	AHC15635			N-N-10		70 mm	JD-AH212090	20.04	
	AHC15635			Unitized Piston		70 mm	JD-AHC10478	191.38	
	AHC15768			I-U-10	40 mm	80 mm	JD-SK100195	63.67	
	AHC15808			I,P-UB-1	40 mm		JD-AH149194	80.03	
	AHC15808			N-N-14		70 mm	JD-AH212089	60.27	
	AHC15808			Unitized Piston		70 mm	JD-AHC10478	191.38	
	COMPENSATING	DC216594			I,P-UB-1	40 mm		JD-AHC13485	107.05
DC216594				N-N-10		70 mm	JD-AH212090	20.04	
DC216594				O-rings			JD-DC219572	12.62	
GRAPPLE	AH205055			I,P-UB-1	45 mm		JD-AHC11572	135.92	
	AH205055			N-N-10		80 mm	JD-AH212092	59.07	
GRAPPLE	AH205055			I-U-1	32 mm		JD-AH148823	66.71	
	AH205055			N-N-10		63 mm	JD-AH212088	21.44	
	AH205055			Unitized Piston		63 mm	JD-AH142159	170.29	
MODEL 6115R (H130 Loader)									
BUCKET	AHC10186			I-U-1	25 mm		JD-AHC16980	20.54	
	AHC10186			N-N-10,14		40 mm	JD-AHC17687	80.10	
LIFT	AH217183			I-U-1	25 mm		JD-AHC16980	20.54	
	AH217183			N-N-10,14		40 mm	JD-AHC17687	80.10	
MODEL 6115R (H340 Loader)									
BOOM	AHC10578			I,P-UB-1	45 mm		JD-AHC11572	135.92	
	AHC10578			N-N-10		80 mm	JD-AH212092	59.07	
	AHC10578			Unitized Piston		80 mm	JD-RE33968	261.10	
	AHC11813	-145042		I,P-UB-1	45 mm		JD-AHC11572	135.92	
	AHC11813	-145042		N-N-10		80 mm	JD-AH212092	59.07	
	AHC11813	-145042		Unitized Piston		80 mm	JD-RE33968	261.10	
	AHC11817	-142279		I,P-UB-1	45 mm		JD-AHC11572	135.92	
	AHC11817	-142279		N-N-10		80 mm	JD-AH212092	59.07	
	AHC11817	-142279		Unitized Piston		80 mm	JD-RE33968	261.10	
	AHC14098	145043-		I,P-UB-1	45 mm		JD-AHC11572	135.92	
	AHC14098	145043-		N-N-10		80 mm	JD-AH212092	59.07	
	AHC14098	145043-		Unitized Piston		80 mm	JD-RE33968	261.10	
	AHC15375	142280-		I,P-UB-1	45 mm		JD-AHC11572	135.92	
	AHC15375	142280-		N-N-10		80 mm	JD-AH212092	59.07	
	AHC15375	142280-		Unitized Piston		80 mm	JD-RE33968	261.10	
	BUCKET	AHC11815			I,P-UB-1	40 mm		JD-AHC13485	107.05
		AHC11815			N-N-10		70 mm	JD-AH212090	20.04
		AHC11815			Unitized Piston		70 mm	JD-AHC10478	191.38
AHC12621				I,P-UB-1	40 mm		JD-AHC13485	107.05	
AHC12621				N-N-10		70 mm	JD-AH212090	20.04	
AHC12621				N-N-10		2-1/4	JD-AH164325	33.68	

LA - Long Arm LGP - Low Ground Pressure LT - Long Track MFWD - Mechanical Front Wheel Drive MP - Multi-Purpose
 IDM - Inside Dozer Mount ODM - Outside Dozer Mount SLF - Super Long Front STD - Straight Dozer WT - Wide Track

Replacement Kits For

JOHN DEERE®

Tractors								
APPLICATION	CYL #	SERIAL #	Misc	CODE	ROD	BORE	KIT #	List \$
MODEL 6115R (H340 Loader)								
BUCKET	AHC12621			Unitized Piston		70 mm	JD-AHC10478	191.38
	AHC15587			I,P-UB-1	40 mm		JD-AHC13485	107.05
	AHC15587			N-N-10		80 mm	JD-AH212092	59.07
	AHC15587			N-N-10		2-1/4	JD-AH164325	33.68
	AHC15635			I,P-UB-1	40 mm		JD-AHC13485	107.05
	AHC15635			N-N-10		70 mm	JD-AH212090	20.04
	AHC15635			Unitized Piston		70 mm	JD-AHC10478	191.38
	AHC15768			I-U-10	40 mm	80 mm	JD-SK100195	63.67
	AHC15808			I,P-UB-1	40 mm		JD-AH149194	80.03
	AHC15808			N-N-14		70 mm	JD-AH212089	60.27
	AHC15808			Unitized Piston		70 mm	JD-AHC10478	191.38
	DC216594			I,P-UB-1	40 mm		JD-AHC13485	107.05
	DC216594			N-N-10		70 mm	JD-AH212090	20.04
	DC216594			O-rings			JD-DC219572	12.62
	COMPENSATING	DC216595			I,P-UB-1	45 mm		JD-AHC11572
DC216595				N-N-10		80 mm	JD-AH212092	59.07
GRAPPLE	AH205055			I-U-1	32 mm		JD-AH148823	66.71
	AH205055			N-N-10		63 mm	JD-AH212088	21.44
	AH205055			Unitized Piston		63 mm	JD-AH142159	170.29

JOHN DEERE®

JOHN DEERE® FILLER REMOVAL KIT

Part Number:

JD-FILLER-REMOVAL KIT

Net Price: \$98.86

Description: John Deere® Replacement Retaining Ring Groove Filler Kit

Features & Benefits

This kit contains 12 sizes (2pcs each size) of a tear-drop shaped plastic ring used to help in the removal of the gland and the piston in some John Deere cylinders.

Two of the following sizes are included in this kit:

Part Size (ID x W x CS)

- | | |
|-------------------------|---------------------------|
| 45.00 x 4.64 x 1.50-C/S | 80.00 x 5.90 x 2.00-C/S |
| 50.00 x 4.64 x 1.50-C/S | 90.00 x 5.90 x 2.00-C/S |
| 53.00 x 5.39 x 1.60-C/S | 100.00 x 5.90 x 2.00-C/S |
| 56.00 x 5.39 x 1.60-C/S | 110.00 x 6.00 x 2.00-C/S |
| 63.00 x 5.39 x 1.60-C/S | 115.00 x 6.75 x 2.00-C/S |
| 70.00 x 5.00 x 1.50-C/S | 125.00 x 10.10 x 3.00-C/S |



FORMERLY LISTED REPAIR PARTS ARE AVAILABLE ONLINE AT WWW.HERCULESUS.COM OR BY CONTACTING YOUR REGIONAL HERCULES SALES TEAM.

REPLACEMENT KITS FOR JOHN DEERE®

IMPORTANT - PLEASE READ

If a kit part number is unknown, the machine model number, serial number, and cylinder application will help identify the repair kit you need.

Example: Model Number **580C**
 Serial Number **5411021**
 Cylinder Application **Backhoe Swing**

If none of the above information is known, size and description of the parts needed will almost always be sufficient.

Kit Number	Code (Pg. 14)	Rod X Bore Size	List Price	Kit Number	Code (Pg. 14)	Rod X Bore Size	List Price
JD-905000	TRACK ADJUSTER KIT		\$33.81	JD-4614056	P-U-10	45 mm X 80 mm	\$66.79
JD-905001	TRACK ADJUSTER KIT		90.92	JD-4614058	P-U-10	40 X 65 mm	198.82
JD-905002	TRACK ADJUSTER KIT		38.27	JD-4614059	P-U-10	45 X 85 mm	200.18
JD-905003	TRACK ADJUSTER KIT		60.69	JD-4614062	P-U-10	40 X 70 mm	90.72
JD-SK100098	TRACK ADJUSTER KIT		27.09	JD-4614069	P-U-10	45 X 75 mm	130.31
JD-SK100099	TRACK ADJUSTER KIT		15.46	JD-4622066	P-U-14	45 X 95 mm	226.55
JD-SK100100	TRACK ADJUSTER KIT		89.34	JD-4622067	P-U-14	50 X 105 mm	198.73
JD-SK100101	TRACK ADJUSTER KIT		58.69	JD-4631062	P-UB-10	105 X 140 mm	365.78
JD-0611303310	P-OB-11	1-1/16 X 2	11.21	JD-4632462	P-U-10	70 X 120 mm	366.96
JD-0656604	P-U-10	50 X 100 mm	348.42	JD-4634033	P-U-10	50 X 85 mm	168.68
JD-0656714	P-U-10	50 X 80 mm	198.92	JD-4634034	P-U-10	45 X 75 mm	154.73
JD-0735309	P-U-10	55 X 95 mm	203.71	JD-4634036	P-U-10	50 X 80 mm	158.14
JD-0735609	P-U-10	45 X 75 mm	247.13	JD-4639936	P-UB-10	95 X 135 mm	413.26
JD-0744105	P-U-10	35 X 60 mm	120.32	JD-4639938	P-UB-10	100 X 145 mm	383.77
JD-0744408	P-U-10	45 X 75 mm	278.13	JD-4639939	P-UB-10	90 X 135 mm	458.68
JD-0744707	P-U-10	40 X 65 mm	209.70	JD-4640107	P-UB-14	105 X 150 mm	829.62
JD-0744808	P-U-10	45 X 85 mm	182.20	JD-4640108	P-UB-14	95 X 145 mm	725.23
JD-0745308	P-U-10	50 X 95 mm	186.50	JD-4640118	P-UB-14	115 X 170 mm	631.65
JD-0843613	P-U-10	50 X 80 mm	173.54	JD-4649050	P-UB-10	100 X 140 mm	421.72
JD-0843808	P-U-10	50 X 100 mm	120.36	JD-4649745	P-UB-14	95 X 135 mm	272.17
JD-0843907	P-U-10	55 X 100 mm	148.92	JD-4649751	P-UB-14	90 X 135 mm	277.69
JD-0844705	P-U-10	45 X 75 mm	109.35	JD-4649752	P-UB-14	105 X 150 mm	380.93
JD-0844807	P-U-10	55 X 95 mm	185.74	JD-4652380	P-U-10	50 X 80 mm	140.11
JD-0847204	P-U-10	40 X 75 mm	133.35	JD-4652380-EX	P-U-10	50 X 80 mm	178.55
JD-0849304	P-U-10	45 X 75 mm	147.01	JD-4652906	P-UB-10	130 X 180 mm	167.91
JD-0849503	P-U-10	40 X 60 mm	123.38	JD-4653040	P-UB-10	115 X 170 mm	377.59
JD-0850309	P-U-10	45 X 80 mm	154.76	JD-4653041	P-UB-10	130 X 190 mm	442.08
JD-411077	P-U-1	2-3/8	39.97	JD-4657449	P-UB-10	90 X 120 mm	383.33
JD-4324007	P-U-10	35 X 65 mm	153.26	JD-4660570	P-UB-10	95 X 145 mm	300.24
JD-4324009	P-U-10	60 X 110 mm	317.31	JD-4662880	P-UB-10	100 X 145 mm	406.55
JD-4333289	P-U-10	60 X 120 mm	330.03	JD-4661594	P-UB-10	95 X 135 mm	357.58
JD-4369943	P-UB-10	105 X 145 mm	439.67	JD-4661594-EX	P-UB-10	95 X 135 mm	508.12
JD-4388027	P-UB-10	70 X 100 mm	536.69	JD-4662066	P-UB-10	90 X 130 mm	262.70
JD-4415584	P-UB-10	60 X 95 mm	203.58	JD-4662069	P-UB-10	90 X 125 mm	303.96
JD-4448396	P-UB-10	80 X 115 mm	324.05	JD-4662069-EX	P-UB-10	90 X 125 mm	341.10
JD-4448397	P-UB-10	70 X 100 mm	258.35	JD-4662891	P-UB-10	80 X 110 mm	325.64
JD-4448398	P-UB-10	85 X 120 mm	283.99	JD-4662895	P-UB-10	70 X 105 mm	268.58
JD-4448399	P-UB-10	95 X 135 mm	357.58	JD-4662895-EX	P-UB-10	70 X 105 mm	582.86
JD-4464984	P-UB-10	65 X 115 mm	213.14	JD-4663491	P-UB-10	65 X 115 mm	354.60
JD-4464985	P-UB-10	60 X 95 mm	169.87	JD-4663491-EX	P-UB-10	65 X 115 mm	389.70
JD-4464985-EX	P-UB-10	60 X 95 mm	236.64	JD-4663493	P-UB-10	75 X 105 mm	274.02
JD-4464986	P-UB-10	55 X 85 mm	162.55	JD-4667454	P-U-10	30 mm X 55 mm	84.07
JD-4464986-EX	P-UB-10	55 X 85 mm	268.53	JD-4667615	P-U-10	35 mm X 60 mm	77.61
JD-4465736	P-UB-10	70 X 120 mm	189.64	JD-4667617	P-U-10	35 mm X 60 mm	82.23
JD-4467379	P-UB-10	80 X 110 mm	353.89	JD-4667619	P-U-10	30 mm X 60 mm	83.32
JD-4467380	P-UB-10	90 X 120 mm	383.33	JD-4667620	P-U-10	35 X 65 mm	69.33
JD-4467381	P-UB-10	75 X 105 mm	263.87	JD-4667621	P-U-10	30 X 50 mm	81.72
JD-4485612	P-UB-14	90 X 125 mm	174.94	JD-4667663	P-UB-10	90 mm X 125 mm	134.62
JD-4485614	P-UB-14	90 X 130 mm	197.10	JD-4672004	P-UB-10	100 X 135 mm	203.74
JD-4485615	P-UB-14	95 X 135 mm	243.11	JD-4672004-EX	P-UB-10	100 X 135 mm	312.09

JOHN DEERE®

REPLACEMENT KITS FOR JOHN DEERE®

Kit Number	Code (Pg. 14)	Rod X Bore Size	List Price
JD-4686432	P-UB-10	115 X 170 mm	\$612.48
JD-4687559	P-U-10	60 X 110 mm	285.54
JD-4687559-EX	P-U-10	60 X 110 mm	320.64
JD-4687560	P-U-10	55 X 90 mm	246.35
JD-4687560-EX	P-U-10	55 X 90 mm	259.67
JD-4687561	P-U-10	55 X 95 mm	215.00
JD-4687561-EX	P-U-10	55 X 95 mm	262.83
JD-4687562	P-U-14	70 X 120 mm	356.45
JD-4696459	P-UB-10	60 X 110 mm	119.86
JD-4700430	P-UB-10	130 mm X 190 mm	426.19
JD-4704455	P-U-10	45 mm X 75 mm	100.59
JD-4S00715	P-UB-10	90 X 125 mm	188.59
JD-4S00715-EX	P-UB-10	90 X 125 mm	225.86
JD-4S00783	P-UB-10	100 X 145 mm	341.87
JD-4S00784	P-UB-10	95 X 140 mm	304.46
JD-4S00834	P-UB-10	80 X 115 mm	128.21
JD-4S00847	P-UB-10	80 X 115 mm	128.65
JD-4S00847-EX	P-UB-10	80 X 115 mm	299.16
JD-4S00849	P-UB-10	70 X 100 mm	112.36
JD-4S00849-EX	P-UB-10	70 X 100 mm	283.30
JD-4S00930	P-UB-10	115 X 170 mm	358.87
JD-4S00959	P-UB-10	120 X 170 mm	200.05
JD-4S00960	P-UB-10	130 X 190 mm	559.40
JD-4S00960-EX	P-UB-10	130 X 190 mm	697.06
JD-4S00961	P-UB-10	115 X 170 mm	377.59
JD-4S07784	P-UB-10	95 X 140 mm	304.46
JD-9180582	P-UB-14	115 X 170 mm	408.70
JD-9207059	P-UB-14	105 X 140 mm	250.49
JD-AA15296	P-N-1	2-1/4	32.37
JD-AH134477	P-UB-1	63 mm Rod Kit	166.41
JD-AH134955	N-N-10	90 mm Piston Kit	22.59
JD-AH137208	N-N-14	125 mm Piston Kit	210.82
JD-AH137209	N-N-14	140 mm Piston Kit	233.01
JD-AH137210	N-N-14	160 mm Piston Kit	203.09
JD-AH137211	N-N-14	180 mm Piston Kit	206.63
JD-AH137687	N-N-14	100 mm Piston Kit	113.73
JD-AH137789	N-N-10	2" Piston Kit	9.88
JD-AH139417	P-U-1	2-1/4 Rod Kit	64.13
JD-AH139418	I-U-8	2-1/4 X 4-1/4	82.86
JD-AH142089	P-UB-1	70 mm Rod Kit	217.04
JD-AH142440	P-V-1	2-1/2 Rod Kit	75.72
JD-AH144593	P-UB-14	75 X 110 mm	524.26
JD-AH144594	P-UB-14	85 X 120 mm	561.54
JD-AH144595	P-UB-14	95 X 130 mm	468.79
JD-AH147868	P-UB-1	45 mm Rod Kit	52.28
JD-AH148164	P-UB-1	50 mm Rod Kit	69.14
JD-AH148453	P-UB-10	95 X 130 mm	563.99
JD-AH148776	P-UB-10	75 X 110 mm	506.86
JD-AH148785	P-UB-10	85 X 120 mm	469.18
JD-AH148823	I-U-1	32 mm Rod Kit	66.71
JD-AH149194	I,P-UB-1	40 mm Rod Kit	80.03
JD-AH149796	P-UB-10	80 X 110 mm	602.32
JD-AH149810	P-UB-1	25mm Rod Kit	75.45
JD-AH149813	I,P-UB-1	45 mm Rod Kit	95.91
JD-AH149814	P-UB-1	56 mm Rod Kit	94.40
JD-AH149815	P-UB-1	63 mm Rod Kit	96.10

Kit Number	Code (Pg. 14)	Rod X Bore Size	List Price
JD-AH149817	I-U-10	32 mm X -1 mm	\$38.57
JD-AH149842	N-N-14	80 mm Piston Kit	108.47
JD-AH149843	N-N-14	90 mm Piston Kit	107.61
JD-AH149844	N-N-14	100 mm Piston Kit	135.84
JD-AH149845	N-N-14	110 mm Piston Kit	171.33
JD-AH149846	N-N-14	115 mm Piston Kit	191.55
JD-AH149847	N-N-14	102 mm Piston Kit	206.53
JD-AH149848	N-N-14	125 mm Piston Kit	269.84
JD-AH150595	P-UB-10	65 X 95 mm	337.28
JD-AH151107	P-UB-10	70 X 105 mm	497.42
JD-AH151320	N-N-14	200 mm Piston Kit	297.90
JD-AH151321	P-UB-1	100 mm Rod Kit	276.60
JD-AH151382	P-UB-1	95 mm Rod Kit	225.40
JD-AH153496	I-UB-14	32 X 56 mm	120.70
JD-AH153497	P-UB-14	40 X 63 mm	208.06
JD-AH154570	P-UB-1	75 mm Rod Kit	109.36
JD-AH155025	P-UB-10	85 X 115 mm	508.40
JD-AH155040	P-UB-10	75 X 105 mm	744.53
JD-AH155045	P-UB-10	80 X 110 mm	553.23
JD-AH156466	P-UB-1	70 mm Rod Kit	86.62
JD-AH156874	P-UB-1	80 mm Rod Kit	185.96
JD-AH159192	P-UB-1	95 mm Rod Kit	255.33
JD-AH160843	I-U-10	32 mm X 2-1/4	81.11
JD-AH160844	I-U-10	40 mm X 2-1/4	77.30
JD-AH161589	P-UB-1	32 mm Rod Kit	75.94
JD-AH161590	N-N-14	63 mm Piston Kit	145.13
JD-AH161591	N-N-14	56 mm Piston Kit	95.58
JD-AH161781	N-N-10	100 mm Piston Kit	37.60
JD-AH161891	N-N-10	63 mm	132.12
JD-AH163670	N-N-14	110 mm Piston Kit	123.44
JD-AH163671	N-N-14	115 mm Piston Kit	172.38
JD-AH163672	N-N-14	125 mm Piston Kit	184.07
JD-AH163673	N-N-14	140 mm Piston Kit	212.78
JD-AH164325	N-N-10	2-1/4	33.68
JD-AH167533	N-N-10	6 Piston Kit	97.52
JD-AH167552	N-N-10	2 Piston Kit	10.76
JD-AH167596	N-N-10	125 mm	49.82
JD-AH168977	I-U-10	36 mm X 2-1/4	85.75
JD-AH168977	I-U-10	36 mm X 2-1/4	85.75
JD-AH173444	P-UB-10	95 X 135 mm	357.29
JD-AH173451	P-UB-10	80 X 115 mm	275.71
JD-AH173457	P-UB-10	85 X 120 mm	469.18
JD-AH176272	I-U-10	25 X 40 mm	43.25
JD-AH176273	I-U-10	28 X 45 mm	43.66
JD-AH202290	N-N-10	90 mm Piston Kit	25.40
JD-AH207190	P-UB-1	85 mm Rod Kit	165.99
JD-AH207243	P-UB-1	115 mm Rod Kit	265.97
JD-AH209022	I-U-14	50 mm X 3	125.26
JD-AH210287	N-N-14	110 mm Piston Kit	143.90
JD-AH210484	P-UB-1	50 mm Rod Kit	66.46
JD-AH212087	N-N-14	63 mm Piston Kit	145.13
JD-AH212088	N-N-10	2-1/2" Piston Kit	21.44
JD-AH212089	N-N-14	70 mm Piston Kit	60.27
JD-AH212090	N-N-10	70 mm Piston Kit	20.04
JD-AH212091	N-N-14	80 mm Piston Kit	136.57
JD-AH212092	N-N-10	80 mm Piston Kit	59.07

REPLACEMENT KITS FOR JOHN DEERE®

Kit Number	Code (Pg. 14)	Rod X Bore Size	List Price
JD-AH212096	N-N-14	90 mm Piston Kit	\$107.61
JD-AH212097	N-N-10	90 mm Piston Kit	26.38
JD-AH212101	N-N-14	100 mm Piston Kit	129.27
JD-AH212102	N-N-10	100 mm Piston Kit	80.88
JD-AH212103	N-N-14	115 mm Piston Kit	191.55
JD-AH212585	N-N-14	110 mm Piston Kit	143.90
JD-AH215765	I-U-10	32 mm X 2	68.46
JD-AH216299	N-N-14	140 mm Piston Kit	239.97
JD-AH225136	P-UB-10	85 X 120 mm	283.99
JD-AH225137	P-UB-10	80 X 115 mm	164.69
JD-AH226589	I-U-10	1-1/4 X 2-1/4	72.16
JD-AH234770	N-N-14	140 mm	195.98
JD-AH234795	N-N-14	160 mm	139.24
JD-AH65915	N-OB-10	1/2 X 1	15.91
JD-AH78774	P-N-1	1-3/4	30.67
JD-AH78775	P-N-1	2	31.04
JD-AHC11572	I,P-UB-1	45 mm	135.92
JD-AHC11573	P-UB-1	50 mm	177.47
JD-AHC13362	P-UB-1	63 mm	132.05
JD-AHC13485	I,P-UB-1	40 mm	107.05
JD-AHC13542	P-UB-1	75 mm	176.62
JD-AHC14511	I-U-10	1-1/4 X 2-1/2	194.84
JD-AHC15497	N-N-14	140 mm	73.09
JD-AHC15628	I-U-1	25 mm	24.83
JD-AHC15630	I-U-1	36 mm	54.48
JD-AHC16682	N-N-10	63 mm	26.91
JD-AHC16683	P-UB-1	56 mm	87.31
JD-AHC16724	P-UB-1	70 mm	151.22
JD-AHC16725	P-UB-1	80 mm	112.74
JD-AHC16728	P-UB-1	95 mm	176.62
JD-AHC16760	N-N-14	125 mm	196.75
JD-AHC16954	P-UB-1	50 mm	108.98
JD-AHC16964	N-N-10	45 mm	33.73
JD-AHC16965	N-N-10	50 mm	43.97
JD-AHC16966	N-N-10	56 mm	42.68
JD-AHC16970	N-N-10,14	3	163.76
JD-AHC16975	N-N-14	4-1/4	145.51
JD-AHC16980	I-U-1	25 mm	20.54
JD-AHC16981	I-U-1	28 mm	14.95
JD-AHC16982	I,P-U-1	32 mm	29.99
JD-AHC16987	I-U-1	55 mm	35.26
JD-AHC17687	N-N-10,14	40 mm	80.10
JD-AHC18638	I,P-U-1	36 mm	88.54
JD-AHC18919	N-N-14	2-1/2	74.79
JD-AHC19209	I-U-10	1-1/4 X 2-1/4	64.46
JD-AHC19515	N-N-14	100 mm	91.20
JD-AHC19978	N-N-10,14	100 mm	112.43
JD-AHC19979	N-N-10,14	90 mm	99.26
JD-AHC20315	N-N-10,14	140 mm	205.72
JD-AHC20316	N-N-10,14	160 mm	181.69
JD-AHC20467	P-UB-1	50 mm	85.95
JD-AHC20468	P-UB-1	56 mm	128.39
JD-AHC20488	N-N-10,14	80 mm	101.27
JD-AHC20489	N-N-10,14	110 mm	118.40
JD-AHC21126	N-N-10,14	63 mm	96.63

Kit Number	Code (Pg. 14)	Rod X Bore Size	List Price
JD-AHC21127	N-N-10,14	70 mm	\$81.93
JD-AHC21922	N-N-10,14	115 mm	109.62
JD-AHC21923	N-N-10	115 mm	109.96
JD-AHC21932	N-N-10,14	125 mm	111.82
JD-AHC22107	N-N-10	80 mm	75.07
JD-AHC22108	N-N-10	90 mm	80.61
JD-AHC22109	N-N-10	100 mm	90.08
JD-AHC24787	P-U-1	95 mm	259.93
JD-AM127928	P-U-10	1 X 1-3/4	40.38
JD-AM127938	P-UB-1	1-1/4	147.98
JD-AM36221	P-OB-3	1-1/8 X 2	40.36
JD-AR105272	P-U-10	1-1/2 X 3	40.19
JD-AR105273	P-U-5	2-1/2 X 5-1/2	175.47
JD-AR105275	P-U-10	2-1/2 X 5-1/2	82.89
JD-AR105280	P-U-12	2-1/2 X 6-1/2	232.73
JD-AR105281	P-U-8	2-1/2 X 5-1/2	159.88
JD-AR105309	P-V-8	2-3/4 X 5	138.24
JD-AR105312	P-V-8	3-1/4 X 5-1/2	145.97
JD-AR105313	P-V-8	3-1/4 X 5-1/2	141.98
JD-AR105320	P-U-10	1-3/4 X 3-3/4	64.72
JD-AR105346	P-V-8	2-1/4 X 5-1/4	114.78
JD-AR105351	P-V-8	2-1/4 X 4-1/2	111.84
JD-AR105355	P-V-8	2-1/4 X 4-1/2	135.45
JD-AR105356	P-V-8	2-1/4 X 5-1/4	107.21
JD-AR105381	P-V-8	2 X 3-3/4	75.83
JD-AR105384	P-V-8	2 X 4-1/2	99.01
JD-AR105387	P-V-8	2 X 4	95.14
JD-AR105391	P-V-8	2 X 4-1/4	99.73
JD-AR105392	P-V-8	2 X 3-1/2	81.55
JD-AR105393	P-V-8	2 X 4	143.61
JD-AR105402	P-V-8	1-3/4 X 3-1/4	64.16
JD-AR105403	P-V-8	1-3/4 X 2-3/4	69.35
JD-AR105408	P-V-8	1-3/4 X 4	83.16
JD-AR105412	P-V-8	1-3/4 X 3-1/2	120.08
JD-AR105429	P-V-8	1-1/2 X 3-1/4	58.12
JD-AR105430	P-V-8	1-1/2 X 2-3/4	53.83
JD-AR105432	P-V-8	1-1/2 X 3-1/2	85.88
JD-AR105441	P-V-8	2-1/2 X 4-1/2	120.35
JD-AR105443	P-V-8	2-1/2 X 5-1/2	172.21
JD-AR105453	P-V-8	1-1/4 X 2-1/2	57.56
JD-AR105454	P-V-8	1-1/4 X 3	61.78
JD-AR105515	P-U-5	2 X 4-1/2	150.85
JD-AR105537	P-V-10	1-3/4 X 2-3/4	69.05
JD-AR105722	P-V-8	1-1/2 X 3	64.13
JD-AR105932	P-V-8	2 X 3-1/2	63.50
JD-AR96518	P-V-8	1-3/4 X 3-1/2	92.49
JD-AR96526	P-V-8	2-1/2 X 4	113.83
JD-AR96527	P-V-8	1-3/4 X 4	74.48
JD-AR96532	P-U-8	1-1/2 X 2-1/4	39.67
JD-AR98255	P-U-5	2-5/8 X 5-1/2	180.14
JD-AR99785	P-OB-8	1-1/2 X 2-1/2	33.53
JD-AT101337	I-U-4	1-1/4 X 2-1/2	98.73
JD-AT101377	I-U-4	1-1/4 X 2-1/2	124.60
JD-AT108329	I-U-10	32 X 60 mm	70.26
JD-AT114822	P-UB-10	85 X 125 mm	250.04

JOHN DEERE®

REPLACEMENT KITS FOR JOHN DEERE®

Kit Number	Code (Pg. 14)	Rod X Bore Size	List Price
JD-AT114831	P-UB-10	95 X 135 mm	\$300.07
JD-AT114836	P-UB-10	80 X 120 mm	248.15
JD-AT119302	P-UB-1	2-1/2" Rod Kit	53.15
JD-AT119306	N-N-10	3	44.21
JD-AT119307	N-N-10	4" Piston Kit	47.19
JD-AT120007	N-N-10	7" Piston Kit	210.51
JD-AT120008	P-UB-1	4" Rod Kit	125.69
JD-AT121499	P-UB-10	35 X 65 mm	183.40
JD-AT121500	P-UB-10	60 X 110 mm	233.14
JD-AT121501	P-UB-10	65 X 120 mm	236.76
JD-AT122564	P-UB-10	60 X 110 mm	204.07
JD-AT122580	P-UB-10	35 X 60 mm	145.47
JD-AT130600	P-UB-10	65 X 95 mm	222.81
JD-AT130601	P-UB-10	70 X 105 mm	276.94
JD-AT130602	P-UB-10	60 X 95 mm	190.32
JD-AT132411	P-UB-10	115 X 170 mm	472.17
JD-AT132412	P-UB-10	130 X 190 mm	505.68
JD-AT138119	P-UB-10	50 X 100 mm	260.84
JD-AT138137	P-UB-10	100 X 200 mm	566.08
JD-AT138138	P-UB-10	95 X 170 mm	447.72
JD-AT142582	P-U-10	2 X 3	78.21
JD-AT154867	P-UB-14	90 X 125 mm	319.88
JD-AT154868	P-UB-14	100 X 135 mm	279.82
JD-AT161017	P-U-10	4 X 7	205.79
JD-AT164742	P-U-10	60 X 110 mm	317.31
JD-AT164758	P-U-10	35 X 65 mm	153.26
JD-AT168764	P-UB-10	65 X 100 mm	259.77
JD-AT176734	P-UB-10	105 X 145 mm	433.95
JD-AT176737	P-UB-10	65 X 95 mm	293.97
JD-AT176822	P-UB-10	70 X 105 mm	273.71
JD-AT177556	P-UB-10	80 X 110 mm	380.34
JD-AT180161	3-5/8 Swivel Kit		219.49
JD-AT181250	P-UB-14	85 X 125 mm	225.34
JD-AT181792	P-UB-14	95 X 145 mm	254.55
JD-AT181794	P-UB-14	100 X 145 mm	301.03
JD-AT181799	P-UB-14	110 X 165 mm	366.27
JD-AT183658	P-UB-14	100 X 135 mm	293.97
JD-AT190877	P-V-14	2-1/2 X 5-1/2	156.97
JD-AT190898	I-U-10	2 X 3	132.82
JD-AT191391	P-V-10	1-1/2 X 3	140.67
JD-AT191403	P-U-10	1 X 2	176.53
JD-AT192075	P-UB-10	85 X 120 mm	195.89
JD-AT192095	P-UB-10	75 X 105 mm	190.39
JD-AT192095-EX	P-UB-10	75 X 105 mm	280.10
JD-AT194335	P-U-10	80 X 115 mm	409.95
JD-AT194457	P-UB-10	100 X 150 mm	329.34
JD-AT196469	P-UB-10	65 X 95 mm	492.55
JD-AT196471	P-UB-10	115 X 170 mm	599.44
JD-AT196472	P-UB-14	110 X 165 mm	471.26
JD-AT196473	P-UB-14	95 X 145 mm	420.21
JD-AT196475	P-UB-14	100 X 145 mm	399.03
JD-AT200548	P-UB-10	65 X 115 mm	321.12
JD-AT200549	P-UB-10	60 X 95 mm	242.16
JD-AT200550	P-UB-10	55 X 85 mm	255.33
JD-AT200573	P-UB-10	60 X 105 mm	243.62

Kit Number	Code (Pg. 14)	Rod X Bore Size	List Price
JD-AT200574	P-UB-10	50 X 80 mm	\$229.22
JD-AT201184	P-UB-14	110 X 165 mm	458.03
JD-AT201185	P-UB-14	95 X 145 mm	443.51
JD-AT204236	P-U-10	60 X 120 mm	330.03
JD-AT205923	P-UB-14	95 X 145 mm	400.20
JD-AT216093	I-U-5	1-1/8 X 2-1/2	50.66
JD-AT216094	I-U-5	2 X 3	54.23
JD-AT216095	I-U-5	2 X 3	54.23
JD-AT216348	O-rings		0.67
JD-AT217906	P-UB-14	100 X 135 mm	319.30
JD-AT251859	P-U-10	50 X 100 mm	348.42
JD-AT251867	P-U-10	50 X 80 mm	198.92
JD-AT251952	P-U-10	55 X 95 mm	203.71
JD-AT251964	P-U-10	45 X 75 mm	247.13
JD-AT260416	P-UB-10	1-1/4 X 2	208.66
JD-AT264180	O-rings		105.88
JD-AT264430	P-UB-14	95 X 135 mm	524.05
JD-AT264438	P-UB-14	100 X 145 mm	478.53
JD-AT264439	P-UB-14	90 X 135 mm	536.15
JD-AT264440	P-UB-14	105 X 150 mm	571.14
JD-AT264441	P-UB-14	115 X 170 mm	556.11
JD-AT264445	P-UB-10		128.35
JD-AT302758	P-UB-10	130 X 190 mm	640.37
JD-AT304940	3-5/8 Swivel Kit		219.49
JD-AT313786	I-UB-15	40 mm X 63 mm	129.64
JD-AT314427	P-UB-14	120 X 170 mm	852.41
JD-AT339879	I-U-10	2-1/2 X 4	56.24
JD-AT343210	I-U-5	1-1/4 X 2	27.64
JD-AT348039	N-N-14	6	156.16
JD-AT34932	I-U-10	3-3/4 X 4	68.78
JD-AT34933	I-U-1	3-3/4 Rod Kit	63.29
JD-AT35142	P-U-10	3 X 3-1/4	104.90
JD-AT364597	P-UB-12	3-1/2 X 6	262.43
JD-AT38068	P-U-10	2-5/8 X 3	66.65
JD-AT383237	I-UB-14	2-1/2 X 4	710.44
JD-AT384823	P-UB-1	3-1/2	261.18
JD-AT38582	USE JD-RE18732		#N/A
JD-AT38583	USE JD-RE13277		#N/A
JD-AT39022	P-U-1	2-5/8 X 3	33.68
JD-AT39023	P-UB-1	3 X 3-1/4	74.95
JD-AT41687	P-U-8	1-1/4 X 2-1/4	53.85
JD-AT41688	P-U-8	1-1/2 X 2-1/4	49.87
JD-AT49348	USE JD-AR105356		#N/A
JD-AT50213	I-U-1	1-1/4 Soft Seal Rod Kit	61.96
JD-AT50214	I-U-12	1-1/4 X 2-1/2 Major Kit	212.78
JD-AT55695	P-U-10	1-3/4 X 4	43.98
JD-AT78498	I-U-10	25 X 50 mm	88.83
JD-AT79722	I-U-5	1-1/2 X 3	75.16
JD-AT85197	O-RING KIT	24.97	40.23
JD-AU149810	P-UB-1	25 mm Rod Kit	75.45
JD-CB11410662	Shaft Seal Kit		252.10
JD-CB11439892	P-U-5	1-1/4 X 2-1/2	55.42
JD-CB11439893	P-U-5	2 X 3	61.39
JD-CB11439894	P-U-5	2 X 3	61.33

REPLACEMENT KITS FOR JOHN DEERE®

Kit Number	Code (Pg. 14)	Rod X Bore Size	List Price
JD-CB11457276	I-U-10	2 X 3	\$58.80
JD-CB11457277	I-U-10	1-1/4 X 2-1/2	125.48
JD-CB11457801	P-U-10	2-1/2 X 4	142.54
JD-CB11471834	O-rings		27.62
JD-CB11473939	P-U-10	2 X 3	36.55
JD-CB11473940	P-U-10	2 X 3	36.52
JD-CB11473941	P-U-10	1-1/4 X 3	37.46
JD-CB11473942	P-U-10	1-1/4 X 2-1/2	28.03
JD-CB11479459	P-U-10	2 X 3	36.52
JD-DC219572	O-rings	O-rings	12.62
JD-F435828	P-UB-10	3-1/2 X 7	218.44
JD-F437037	P-UB-14	4 X 6-1/2	584.82
JD-F437043	P-UB-14	4 X 7	582.20
JD-FXB00001834	P-UB-14	85 X 130 mm	286.80
JD-FXB00016132	P-UB-10	100 mm X 135 mm	129.52
JD-FXB00018602	P-UB-10	105 mm X 150 mm	430.67
JD-FYA00001392	P-UB-10	80 X 115 mm	164.90
JD-FYA00001393	P-UB-10	80 X 115 mm	128.21
JD-FYA00001395	P-UB-10	80 X 115 mm	113.15
JD-FYA00001396	P-UB-10	85 X 120 mm	164.11
JD-FYA00001398	P-UB-10	95 X 140 mm	197.40
JD-FYA00001398-EX	P-UB-10	95 X 140 mm	312.51
JD-FYA00001399	P-UB-10	95 X 135 mm	412.57
JD-FYA00001400	P-UB-10	95 X 135 mm	215.36
JD-FYA00006591	P-UB-10	100 X 140 mm	215.85
JD-FYA00006591-EX	P-UB-10	100 X 140 mm	330.98
JD-FYA00006593	P-UB-10	95 X 135 mm	405.01
JD-FYA00006594	P-UB-10	105 X 150 mm	314.96
JD-FYA00006595	P-UB-10	90 X 135 mm	468.71
JD-FYA00006596	P-UB-10	100 X 145 mm	195.84
JD-FYA00006596-EX	P-UB-10	100 X 145 mm	360.26
JD-FYA00008675	P-UB-10	105 X 150 mm	379.26
JD-FYA00008823	P-UB-10	95 X 135 mm	247.41
JD-FYA00008826	P-UB-10	90 X 135 mm	280.83
JD-FYA00008837	P-UB-10	115 X 170 mm	691.55
JD-FYA00008840	P-UB-10	100 X 145 mm	622.18
JD-FYA00008843	P-UB-10	95 X 140 mm	582.25
JD-FYA00009240	P-UB-10	70 X 105 mm	114.96
JD-FYA00010733	P-UB-14	105 X 150 mm	360.97
JD-FYA00010734	P-UB-14	95 X 135 mm	235.46
JD-FYA00010735	P-UB-14	90 X 135 mm	285.36
JD-FYA00011420	P-UB-10	70 X 100 mm	99.13
JD-FYA00012899	P-UB-10	70 X 105 mm	313.35
JD-FYA00012900	P-UB-10	80 X 115 mm	286.69
JD-FYA00012901	P-UB-10	70 X 100 mm	364.69
JD-FYA00012902	P-UB-10	80 X 110 mm	421.96
JD-FYA00012903	P-UB-10	90 X 120 mm	551.80
JD-FYA00012904	P-UB-10	75 X 105 mm	401.79
JD-FYA00012905	P-UB-10	85 X 120 mm	369.84
JD-FYA00012906	P-UB-10	90 X 125 mm	497.13
JD-FYA00012907	P-UB-10	75 X 105 mm	302.38
JD-FYD00000072	P-UB-10	50 X 80 mm	132.93
JD-FYD00000074	P-U-10	50 X 90 mm	110.94
JD-FYD00000078	P-UB-10	55 X 85 mm	104.98

Kit Number	Code (Pg. 14)	Rod X Bore Size	List Price
JD-FYD00000085	P-UB-10	60 X 110 mm	\$562.43
JD-FYD00000086	P-UB-10	55 X 90 mm	529.68
JD-FYD00000087	P-UB-10	50 X 80 mm	486.69
JD-FYD00003234	P-UB-10	55 X 95 mm	157.61
JD-FYD00003245	P-UB-14	70 X 120 mm	174.84
JD-FYD00003878	P-U-10	35 X 60 mm	40.95
JD-FYD00003882	P-U-10	35 X 60 mm	52.83
JD-FYD00003884	P-U-10	30 X 55 mm	58.44
JD-FYD00003885	P-U-10	30 X 60 mm	80.01
JD-FYD00003886	P-U-10	35 X 65 mm	50.57
JD-FYD00003887	P-U-10	30 X 50 mm	68.42
JD-FYD00005420	P-U-10	50 X 95 mm	128.52
JD-FYD00005421	P-U-10	40 X 65 mm	75.69
JD-FYD00006229	P-UB-10	65 X 115 mm	329.86
JD-FYD00006230	P-UB-10	60 X 95 mm	129.39
JD-FYD00006231	P-UB-10	65 X 115 mm	369.87
JD-FYD00009136	P-U-14	40 X 70 mm	64.51
JD-LVA14168	I-U-10	22 X 45 mm	58.05
JD-LVA14998	P-U-10,12	1-1/8 X 2-1/2	95.90
JD-LVA20425	P-UB-1	1-1/2	88.30
JD-LVA22190	P-OB-10	1-1/8 X 2	154.76
JD-LVA22191	P-U-10,12	1 X 2	79.60
JD-LVA22193	P-UB-1	1-1/4	151.27
JD-LVA23094	P-UB-10,12	1-1/4 X 2-1/2	95.67
JD-LVA23232	P-OB-10,12	1-1/8 X 2	53.29
JD-LVA23924	P-UB-1	1-1/4	131.21
JD-LW10450025	I-BB-10	50 mm X 100 mm	138.87
JD-LW11644025	I-BB-10	60 mm X 120 mm	344.29
JD-LW11644030	I-BB-10	60 mm X 110 mm	318.93
JD-LW11644054	I-BB-10	50 mm X 90 mm	222.41
JD-LW11644469	P-BB-10	32 mm X 63 mm	145.09
JD-LW11651825	I-UB-15	40 mm X 63 mm	217.08
JD-LW12209547	I-BB-10	50 mm X 100 mm	217.78
JD-LW12233904	I-BB-10	30 mm X 70 mm	121.86
JD-LW12233925	I-BB-10	40 mm X 80 mm	114.06
JD-PT5173	I-N-8	1-1/2 X 2	74.97
JD-PT8230	P-V-8	1 X 2	134.35
JD-RE10223	P-V-8	1-3/4 X 4	64.36
JD-RE10224	P-V-8	2-1/2 X 5-1/2	155.16
JD-RE10640	P-V-8	2-1/4 X 4-1/2	101.48
JD-RE12912	P-V-14	1-3/4 X 3-1/2	160.17
JD-RE13277	P-V-8	2-1/2 X 5-1/2	167.17
JD-RE13745	P-V-1	2-1/2 Rod Kit	59.61
JD-RE14022	N-N-14	6-1/4 Piston Kit	215.76
JD-RE14033	N-N-14	7-1/2 Piston Kit	264.02
JD-RE14082	N-N-14	3 Piston Kit	113.14
JD-RE14088	P-V-1	1-1/2 Rod Kit	40.90
JD-RE14094	N-N-14	4-1/2 Piston Kit	132.27
JD-RE14100	N-N-14	5-1/4 Piston Kit	172.63
JD-RE14102	N-N-14	5-1/2 Piston Kit	199.15
JD-RE14104	N-N-14	6-1/4 Piston Kit	204.98
JD-RE14208	P-V-1	2-1/4 Rod Kit	61.15
JD-RE14454	P-V-1	2-1/4 Rod Kit	59.33
JD-RE14516	P-U-1	2-1/2 Rod Kit	61.50

JOHN DEERE®

REPLACEMENT KITS FOR JOHN DEERE®

Kit Number	Code (Pg. 14)	Rod X Bore Size	List Price
JD-RE14517	N-N-14	3-1/2 Piston Kit	\$22.24
JD-RE14523	N-N-14	4-1/2 Piston Kit	132.27
JD-RE14538	P-V-1	2-1/4 Rod Kit	45.84
JD-RE14550	P-V-1	1-3/4	29.47
JD-RE14551	N-N-10	2 Piston Kit	18.47
JD-RE14552	P-U-1	1 Rod Kit	21.44
JD-RE14555	N-N-14	4 Piston Kit	123.01
JD-RE14556	P-U-1	2 Rod Kit	40.62
JD-RE14563	N-N-10	4-1/4 Piston Kit	52.03
JD-RE14567	N-N-14	4 Piston Kit	131.09
JD-RE14744	N-N-14	5 Piston Kit	163.31
JD-RE14745	P-V-1	2-1/2 Rod Kit	70.12
JD-RE14771	N-N-14	3-3/4 Piston Kit	103.71
JD-RE14772	N-N-10	2-3/4 Piston Kit	28.83
JD-RE14773	P-U-1	1-1/4 Rod Kit	37.60
JD-RE14877	N-N-14	5-1/2 Piston Kit	199.15
JD-RE14878	P-V-1	2-3/4 Rod Kit	78.35
JD-RE14879	N-N-14	6 Piston Kit	203.76
JD-RE14880	P-U-1	2-3/4 Rod Kit	71.47
JD-RE14910	N-N-14	5-1/2 Piston Kit	199.15
JD-RE15708	P-V-1	3-3/4 Rod Kit	167.17
JD-RE15905	N-N-14	5 Piston Kit	163.31
JD-RE15906	P-V-1	3-1/4 Rod Kit	72.63
JD-RE15907	N-N-14	5-1/2 Piston Kit	199.15
JD-RE16076	N-N-14	3-1/2 Piston Kit	123.61
JD-RE16118	N-N-14	4 Piston Kit	127.53
JD-RE16119	P-V-1	2 Rod Kit	42.77
JD-RE16208	N-N-14	3 Piston Kit	111.63
JD-RE16209	P-V-1	1-3/4 Rod Kit	50.07
JD-RE16991	P-V-1	2-3/4 Rod Kit	134.84
JD-RE16992	P-V-1	3 Rod Kit	102.48
JD-RE17097	N-N-10	3-1/2 Piston Kit	21.13
JD-RE17099	N-N-10	3-3/4 Piston Kit	25.45
JD-RE17342	P-V-1	2-3/4 Rod Kit	102.06
JD-RE17345	P-V-1	2-1/2 Rod Kit	74.95
JD-RE17351	N-N-14	5-1/2 Piston Kit	199.15
JD-RE17458	N-N-14	4-1/4 Piston Kit	134.84
JD-RE18202	N-N-10	3 Piston Kit	16.20
JD-RE18203	P-V-1	1-1/2 Rod Kit	44.37
JD-RE18708	N-N-14	3-1/2 Piston Kit	122.24
JD-RE18730	P-V-8	1-3/4 X 4	74.48
JD-RE18731	P-U-10	2-1/2 X 4-1/4	133.64
JD-RE18732	P-V-8	2 X 4	74.82
JD-RE18733	P-V-8	2 X 4	94.53
JD-RE18734	P-V-8	2-1/2 X 5-1/2	156.07
JD-RE18735	P-V-14	2-1/2 X 4	183.53
JD-RE18736	P-V-8	1-3/4 X 4	68.42
JD-RE18737	P-V-8	2 X 4-1/2	91.23
JD-RE18738	P-V-10	2 X 4	51.44
JD-RE18739	P-V-8	2-1/4 X 4-1/4	93.20
JD-RE18740	P-V-14	2-1/2 X 5-1/2	267.00
JD-RE18741	P-V-14	2 X 4	157.77
JD-RE18742	P-V-10	1-1/2 X 3-1/2	92.92
JD-RE18743	P-V-8	2 X 5	87.64
JD-RE18744	P-V-8	2-3/4 X 6-1/4	227.78

Kit Number	Code (Pg. 14)	Rod X Bore Size	List Price
JD-RE18745	P-U-14	2-1/2 X 5-1/2	\$175.34
JD-RE18746	P-V-8	2-1/2 X 5-1/4	110.01
JD-RE18747	P-V-8	2 X 3-1/4	70.50
JD-RE18748	P-V-8	2 X 3-1/2	89.13
JD-RE18749	P-U-10	7/8 X 2	39.76
JD-RE18750	P-U-8	1-1/4 X 3	48.46
JD-RE18751	P-V-8	1-3/4 X 3	59.07
JD-RE18752	P-V-8	1-3/4 X 3	61.12
JD-RE18754	P-V-8	1-3/4 X 3-1/2	92.49
JD-RE18755	P-V-8	1-3/4 X 3-1/2	74.55
JD-RE18756	P-U-10	1-3/4 X 3-1/2	78.21
JD-RE18757	P-V-8	2-1/4 X 3-1/2	99.62
JD-RE18758	P-V-14	2-1/4 X 3-1/2	161.39
JD-RE18759	P-V-8	2-1/4 X 5	147.12
JD-RE18760	P-V-8	2-1/2 X 4-1/2	105.61
JD-RE18762	P-V-8	3-1/4 X 6-1/4	222.64
JD-RE18763	P-U-8	3-3/4 X 5-1/2	174.33
JD-RE18764	P-V-14	2-1/4 X 4-1/2	184.16
JD-RE18765	P-V-10,12	2 X 3-1/2	80.67
JD-RE19216	P-U-10	3 X 3-1/4	70.05
JD-RE19217	P-V-8	1-1/2 X 2-1/2	48.59
JD-RE19218	P-U-8	2 X 3	70.99
JD-RE19220	P-V-8	1-3/4 X 2-3/4	62.52
JD-RE19222	P-V-8	1-1/2 X 2-3/4	65.82
JD-RE19224	I-U-10	4-1/4 X 4.40	77.34
JD-RE19225	P-V-14	2 X 4-1/2	171.54
JD-RE19226	I-U-1	3-3/8 X 3-5/8	73.13
JD-RE19227	I-U-10	3-3/8 X 3-5/8	68.89
JD-RE20323	P-V-1	4 Rod Kit	131.91
JD-RE20329	P-V-1	3-3/4 Rod Kit	122.71
JD-RE20351	P-V-1	2-1/2 Rod Kit	67.25
JD-RE20428	N-N-14	70 mm Piston Kit	68.40
JD-RE20430	N-N-14	90 mm Piston Kit	77.46
JD-RE20433	P-UB-1	40 mm Rod Kit	92.26
JD-RE20434	P-UB-1	45 mm Rod Kit	92.84
JD-RE20595	P-UB-1	50 mm Rod Kit	82.00
JD-RE20874	P-V-1	1-3/4 Rod Kit	56.45
JD-RE21202	P-UB-1	3-3/4 Rod Kit	291.13
JD-RE21395	P-UB-1	2-3/4 Rod Kit	204.98
JD-RE21401	P-UB-1	3-1/4 Rod Kit	140.55
JD-RE21873	P-UB-1	32 mm Rod Kit	79.00
JD-RE21874	N-N-14	50 mm Piston Kit	78.93
JD-RE21875	P-UB-1	25 mm Rod Kit	80.91
JD-RE25151	P-UB-1	63 mm Rod Kit	175.66
JD-RE25152	P-UB-1	80 mm Rod Kit	257.14
JD-RE28899	P-UB-1	63 mm Rod Kit	167.58
JD-RE29103	P-UB-1	70 mm	217.04
JD-RE30100	N-N-10	2-1/4 Piston Kit	10.51
JD-RE30816	N-N-14	3-1/4 Piston Kit	105.36
JD-RE30817	P-V-1	2 Rod Kit	52.11
JD-RE30874	P-V-1	1-3/4 Rod Kit	46.59
JD-RE31138	N-N-14	80 mm Piston Kit	85.75
JD-RE31139	N-N-14	100 mm Piston Kit	151.32
JD-RE31140	N-N-14	115 mm Piston Kit	188.34
JD-RE31528	P-U-1	3-3/4 Rod Kit	117.90

REPLACEMENT KITS FOR JOHN DEERE®

Kit Number	Code (Pg. 14)	Rod X Bore Size	List Price
JD-RE31716	P-UB-1	56 mm Rod Kit	\$143.20
JD-RE33803	N-N-14	50 mm Piston Kit	86.01
JD-RE37003	N-N-10	80 mm Piston Kit	24.25
JD-RE37004	N-N-10	70 mm Piston Kit	17.02
JD-RE37462	P-UB-1	70 mm Piston Kit	227.35
JD-SK100091	I-U-1	40 mm	28.90
JD-SK100092	P-U-1	40 mm	59.81
JD-SK100093	I-U-1	40 mm	28.90
JD-SK100094	P-U-1	40 mm	59.81
JD-SK100195	I-U-10	40 X 80 mm	63.67
JD-SK100213	P-UB-10	45 mm X 70 mm	80.88
JD-T153744	I-U-10	36 X 65 mm	157.79
JD-T218499	I-U-10	42 mm X 70 mm	113.11
JD-T213801	I-U-10	38 X 65 mm	176.56
JD-T218502	I-U-10	40 X 65 mm	183.72
JD-T464640	I-U-10	40 mm X 65 mm	93.74
JD-TH0729006	P-U-10	45 X 85 mm	124.17
JD-TH0743805	P-U-10	40 X 75 mm	134.49
JD-TH0744010	P-U-10	40 X 70 mm	82.89
JD-TH0744408	P-U-10	45 X 75 mm	278.13
JD-TH0744707	P-U-10	40 X 65 mm	209.70
JD-TH0744808	P-U-10	45 X 85 mm	182.20
JD-TH0745308	P-U-10	50 X 95 mm	186.50
JD-TH102798	P-UB-10	95 X 140 mm	340.19
JD-TH102827	P-UB-10	105 X 150 mm	328.73

Kit Number	Code (Pg. 14)	Rod X Bore Size	List Price
JD-TH102845	P-UB-10	90 X 140 mm	\$299.38
JD-TH103324	P-UB-10	110 X 160 mm	294.98
JD-TH103347	P-UB-10	110 X 160 mm	375.90
JD-TH103357	P-UB-10	95 X 150 mm	330.07
JD-TH106099	P-UB-10	60 X 100 mm	288.68
JD-TH106853	P-UB-10	55 X 90 mm	383.75
JD-TH106874	P-UB-10	60 X 110 mm	193.44
JD-TH109339	P-UB-10	75 X 105 mm	197.05
JD-TH109366	P-UB-10	80 X 115 mm	225.50
JD-TH109390	P-UB-10	65 X 95 mm	196.67
JD-TH110035	P-UB-14	90 X 135 mm	297.34
JD-TH110064	P-UB-14	100 X 145 mm	318.70
JD-TH110661	P-UB-10	65 X 115 mm	232.98
JD-TH110662	P-UB-10	60 X 100 mm	145.68
JD-TH110663	P-UB-10	55 X 90 mm	162.23
JD-TH111625	P-UB-14	95 X 145 mm	396.78
JD-TH111626	P-UB-14	100 X 145 mm	400.05
JD-TH111627	P-UB-14	110 X 165 mm	469.40
JD-TH111701	P-UB-10	65 X 115 mm	268.40
JD-TH111854	P-UB-14	105 X 150 mm	421.40
JD-TT224412	O-rings		4.53
JD-TY7188	P-U-1	1-1/16	13.44
JD-WP903065	P-U-10	1-1/8 X 1-3/4	80.30
JD-WP908140	P-UB-1	1-1/2	127.90

REPLACEMENT PARTS FOR JOHN DEERE EQUIPMENT

Repair parts for John Deere are available online at www.HerculesUS.com or by contacting the Hercules Sales Team at the information provided below.

Scan the QR code for quick access.



REPLACEMENT KITS FOR JOHNSON

JOHNSON

Part Number	Description	List Price
JO-225VPW	2-1/4" VEE SET & WIPER	\$36.80
JO-325VPW	3-1/4" VEE SET & WIPER	94.34
JO-425VPW	4-1/4" VEE SET & WIPER	108.41
JO-525VPW	5-1/4" VEE SET & WIPER	56.35
JO-625NVPW	6-1/4" VEE SET & WIPER	122.66
JO-750NVPW	7-1/2" VEE SET & WIPER	117.14
JO-875NVPW	8-3/4" VEE SET & WIPER	164.95
JO-RB392	3-3/4" BORE SNAP RING	33.39
JO-RC495	4-3/4" BORE SNAP RING	39.09
JO-RD595	5-3/4" BORE SNAP RING	70.90
JO-RE724	6-7/8" BORE SNAP RING	98.71
JO-RF849	8-1/8" BORE SNAP RING	131.63

KALMAR

Kit Number	Code (Pg. 14)	Rod X Bore Size	List Price
KAL-920670.0003	P-U-13	32 X 63 mm	\$180.90
KAL-920673.0005	P-U-15	80 X 125 mm	240.00
KAL-920744.0001	P-U-13	32 X 63 mm	171.90
KAL-920744.0002	I-U-13	40 X 80 mm	238.53
KAL-920744.0003	P-U-10	60 X 80 mm	251.33
KAL-920744.0005	P-U-10	70 X 125 mm	288.43
KAL-920744.0006	P-U-15	70 X 160 mm	177.99
KAL-920744.0013	P-U-15	90 X 180 mm	206.74
KAL-921307.0001	P-U-10	50 X 100 mm	281.27

REPLACEMENT PARTS FOR KALMAR EQUIPMENT

Repair parts for Kalmar are available online at www.HerculesUS.com or by contacting the Hercules Sales Team at the information provided below.
Scan the QR code for quick access.



NOTES

NOTES

Replacement Kits For

KATO

Excavators

APPLICATION	SERIAL #:	CODE	ROD	BORE	KIT #	List \$
MODEL	HD-700SEV, HD-700II, HD-720VII					
ARM	329-1719-0	P-UB-10	95 mm	135 mm	KATO-329-17190000	748.01
BOOM	329-1169-0	P-UB-10	85 mm	125 mm	KATO-329-11690000	750.54
BUCKET	329-2389-0	P-UB-10	80 mm	120 mm	KATO-329-23890000	591.63
MODEL	HD-770SEII					
ARM	309-754-1	P-UB-10	90 mm	130 mm	KATO-309-75400001	655.05
BOOM	309-960-2	P-UB-10	85 mm	130 mm	KATO-309-96000002	588.13
BUCKET	309-785-1	P-UB-10	85 mm	130 mm	KATO-309-78500001	588.13
MODEL	HD-800SEV, HD-880SEII					
ARM	309-755-1	P-UB-10	100 mm	140 mm	KATO-309-75500001	756.84
BOOM	309-967-2	P-UB-10	85 mm	130 mm	KATO-309-96700002	679.11
BUCKET	309-786-1	P-UB-10	85 mm	125 mm	KATO-309-78600001	577.78
MODEL	HD-800VII					
ARM	329-1729-0	P-UB-10	105 mm	150 mm	KATO-329-17290000	778.27
BOOM	329-1399-0	P-UB-10	85 mm	140 mm	KATO-329-13990000	684.81
BUCKET	309-7869-10	P-UB-10	85 mm	130 mm	KATO-309-78690010	652.46
MODEL	HD-900SEV					
ARM	329-172-1	P-UB-10	105 mm	150 mm	KATO-329-17200001	778.27
BOOM	309-967-11	P-UB-10	85 mm	140 mm	KATO-309-96700011	684.81
BUCKET	309-786-11	P-UB-10	85 mm	130 mm	KATO-309-78600011	652.46
MODEL	HD-1250SEV					
ARM	329-175-3	P-UB-10	110 mm	160 mm	KATO-329-17500003	787.70
BOOM	329-121-2	P-UB-10	100 mm	150 mm	KATO-329-12100002	744.84
BUCKET	329-241-2	P-UB-10	100 mm	150 mm	KATO-329-24100002	744.84
MODEL	HD-1250VII					
ARM	329-1759-0	P-UB-10	110 mm	160 mm	KATO-329-17590000	787.70
BOOM	329-2419-2	P-UB-10	100 mm	150 mm	KATO-329-24190002	744.84
BUCKET	329-2419-2	P-UB-10	100 mm	150 mm	KATO-329-24190002	744.84

KATO

KATO EXCAVATORS

Part Number	Code (Pg. xviii)	Rod X Bore Size	List Price
KATO-309-13790020	P-U-5	90 X 150 mm	\$511.42
KATO-309-75400001	P-UB-10	90 X 130 mm	655.05
KATO-309-75500001	P-UB-10	100 X 140 mm	756.84
KATO-309-75590000	P-UB-10	100 X 140 mm	723.92
KATO-309-78500001	P-UB-10	85 X 130 mm	588.13
KATO-309-78590010	P-UB-10	85 X 125 mm	760.35
KATO-309-78600001	P-UB-10	85 X 125 mm	577.78
KATO-309-78600011	P-UB-10	85 X 130 mm	652.46
KATO-309-78690010	P-UB-10	85 X 130 mm	652.46
KATO-309-96000002	P-UB-10	85 X 130 mm	588.13
KATO-309-96090010	P-UB-10	85 X 130 mm	790.98
KATO-309-96700002	P-UB-10	85 X 130 mm	679.11
KATO-309-96700011	P-UB-10	85 X 140 mm	684.81
KATO-329-11690000	P-UB-10	85 X 125 mm	750.54

Part Number	Code (Pg. xviii)	Rod X Bore Size	List Price
KATO-329-12090000	P-UB-10	100 X 150 mm	\$790.60
KATO-329-12100002	P-UB-10	100 X 150 mm	744.84
KATO-329-13990000	P-UB-10	85 X 140 mm	684.81
KATO-329-17190000	P-UB-10	95 X 135 mm	748.01
KATO-329-17200001	P-UB-10	105 X 150 mm	778.27
KATO-329-17290000	P-UB-10	105 X 150 mm	778.27
KATO-329-17500003	P-UB-10	110 X 160 mm	787.70
KATO-329-17590000	P-UB-10	110 X 160 mm	787.70
KATO-329-23790000	P-UB-10	65 X 95 mm	535.29
KATO-329-23890000	P-UB-10	80 X 120 mm	591.63
KATO-329-23890001	P-UB-10	80 X 120 mm	677.71
KATO-329-24100002	P-UB-10	100 X 150 mm	744.84
KATO-329-24190002	P-UB-10	100 X 150 mm	744.84
KATO-75590020	P-U-10	100 X 140 mm	841.34

REPLACEMENT SEAL KITS FOR KOBELCO EQUIPMENT*

Replacement Seal Kits By Machine Type

Table of Contents

Machine Type		Page
Excavators	K903II, K904II, K904III, K905II, K907D, K907II, K909A, K909II, K912II, K916II, SK60, SK70SR, SK70SR-1E, SK70SR-1ES, SK80CS, SK80CS-1E, SK80MSR, SK80MSR-1E, SK80MSR-1ES, SK100, SK115DZ IV, SK115SRDZ, SK115SRDZ-1E, SK120, SK120LC, SK135SR, SK135SR-1E, SK135SRL, SK135SRL-1E, SK135SRLC, SK135SRLC-1E, SK150, SK150LC, SK150LC III, SK150LC IV, SK160LC, SK160LC IV, SK160LC-6E, SK200, SK200 III, SK200 IV, SK200 V, SK200-6, SK200-6ES, SK200-8, SK200LC, SK200LC III, SK200LC IV, SK200LC V, SK200LC-6, SK210 IV, SK210LC, SK210LC-6E, SK210LC-8, SK220 III, SK220LC III, SK220 IV, SK220LC IV, SK230-6E, SK235SR, SK235SR-1E, SK235SR-1ES, SK235SR-2, SK235SRLC, SK235SRLC-1E, SK235SRLC-1ES, SK235SRLC-2, SK250 IV, SK250-8, SK250LC, SK250LC IV, SK250LC-6E, SK250NLC IV, SK260, SK260LC-8, SK290LC, SK290LC-6E, SK300 III, SK300 IV, SK300LC III, SK300LC IV, SK310 III, SK310LC III, SK320 III, SK320LC III, SK330 IV, SK330-6E, SK330-8, SK330LC, SK330LC IV, SK330LC-6E, SK350-8, SK350LC-8, SK400LC III, SK400LC IV	810 - 862
Excavators-Compact	SK25SR-2, SK35SR-2, SK35SR-3	863 - 864
Alpha-Numeric Kit Listing		865 - 867
Kobelco Individual Parts		Available Online

All manufacturer's names, part numbers and descriptions are used for reference purposes only. We do not imply that any part shown is the product of these manufacturers. We also do not imply that the list price shown is exactly that of the manufacturer.

Replacement Kits For

KOBELCO

Excavators							
APPLICATION	CYL #	SERIAL #	CODE	ROD	BORE	KIT #	List \$
MODEL K903II							
ARM			P-UB-1	65 mm		KOB-2438U1097R100	199.48
			N-N-10		110 mm	KOB-2438U716R140	253.33
BOOM			P-UB-1	70 mm		KOB-2438U721R100	298.21
			N-N-10		125 mm	KOB-2438U1094R140	341.31
BUCKET			P-UB-1	60 mm		KOB-2438U1096R100	221.43
			N-N-10		95 mm	KOB-2438U1096R200	258.48
MODEL K904II							
ARM			P-UB-1	75 mm		KOB-2438U991R100	226.24
			N-N-10		115 mm	KOB-2438U991R200	428.28
BOOM			P-UB-1	70 mm		KOB-2438U989R100	228.14
			N-N-10		100 mm	KOB-2438U989R200	312.32
BUCKET			P-UB-1	65 mm		KOB-2438U992R100	191.12
			N-N-10		95 mm	KOB-2438U992R200	309.26
MODEL K904III							
ARM			P-UB-1	75 mm		KOB-2438U1098R100	210.52
			N-N-10		115 mm	KOB-2438U1098R200	425.52
BOOM			P-UB-1	70 mm		KOB-2438U1099R100	225.82
			N-N-10		100 mm	KOB-2438U1123R200	312.32
BUCKET			P-UB-1	65 mm		KOB-2438U1097R100	199.48
			N-N-10		95 mm	KOB-2438U1097R200	308.95
MODEL K905II							
ARM	2438U973F1		P-UB-1	80 mm		KOB-2438U973R100	265.50
	2438U973F1		N-N-10		120 mm	KOB-2438U973R200	442.51
BOOM	2438U971F2, 972FS		P-UB-1	70 mm		KOB-2438U971R100	235.04
	2438U971F2, 972FS		N-N-10		105 mm	KOB-2438U971R200	314.95
BUCKET	2438U974F1		P-UB-1	65 mm		KOB-2438U974R100	201.96
	2438U974F1		N-N-10		100 mm	KOB-2438U974R200	325.66
MODEL K907D							
ARM	2438U921F1, F2		P-UB-1	95 mm		KOB-2438U921R100	210.83
	2438U921F1, F2		N-N-10		145 mm	KOB-2438U921R110	405.13
BOOM	2438U914D1F1, D2F1		P-UB-1	85 mm		KOB-2438U914R100	225.53
	2438U914D1F1, D2F1		N-N-10		125 mm	KOB-2438U914R200	330.97
BUCKET	2438U915F1		P-UB-1	75 mm		KOB-2438U915R100	170.41
	2438U915F1		N-N-10		120 mm	KOB-2438U915R110	323.00
MODEL K907II							
ARM	2438U941F1		P-UB-1	100 mm		KOB-2438U941R100	293.82
	2438U941F1		N-N-14		145 mm	KOB-2438U941R200	537.60
BOOM	2438U996F1, 997F1		P-UB-1	85 mm		KOB-2438U996R100	258.84
	2438U996F1, 997F1		N-N-14		125 mm	KOB-2438U996R200	544.54
BUCKET	2438U995F1		P-UB-1	80 mm		KOB-2438U995R100	189.21
	2438U995F1		N-N-14		120 mm	KOB-2438U995R200	497.30
MODEL K909A							
ARM			P-UB-1	100 mm		KOB-2438U588R110	288.08
			N-N-10		150 mm	KOB-2438U588R120	408.90
BOOM			P-UB-1	90 mm		KOB-2438U587R100	266.06
			N-N-10		140 mm	KOB-2438U587R110	400.55
BUCKET			P-UB-1	90 mm		KOB-2438U568R100	266.71
			N-N-10		130 mm	KOB-2438U568R110	377.03
MODEL K909II							
ARM	2438U953F1		P-UB-1	105 mm		KOB-2438U953R100	383.10
	2438U953F1		N-N-10		150 mm	KOB-2438U953R200	699.74
BOOM	2438U999F1,1000F1		P-UB-1	90 mm		KOB-2438U999R100	248.57
	2438U999F1,1000F1		N-N-10		140 mm	KOB-2438U999R200	478.75
BUCKET	2438U959F1		P-UB-1	85 mm		KOB-2438U959R100	201.04
	2438U959F1		N-N-10		130 mm	KOB-2438U959R200	450.13

KOBELCO

KOBELCO

Replacement Kits For

Excavators							
APPLICATION	CYL #	SERIAL #	CODE	ROD	BORE	KIT #	List \$
MODEL K912II							
ARM	2438U1323F1		P-UB-1	110 mm		KOB-2438U1323R100	334.04
	2438U1323F1		N-N-10		160 mm	KOB-2438U1323R110	615.24
BOOM	2438U776F1		P-UB-1	95 mm		KOB-2438U776R100	306.97
	2438U776F1		N-N-10		150 mm	KOB-2438U776R110	496.70
BUCKET	2438U1324F1		P-UB-1	100 mm		KOB-2438U1324R100	237.38
	2438U1324F1		N-N-10		150 mm	KOB-2438U1324R110	307.98
MODEL K916II							
ARM	2438U1029F1		P-UB-1	130 mm		KOB-2438U1029R100	494.83
	2438U1029F1		N-N-14		180 mm	KOB-2438U1029R200	717.22
BOOM	2438U1028D1F1, D2F1		P-UB-1	110 mm		KOB-2438U1028R100	285.42
	2438U1028D1F1, D2F1		N-N-14		170 mm	KOB-2438U1028R200	683.30
BUCKET	2438U1030F1		P-UB-1	120 mm		KOB-2438U1030R100	355.86
	2438U1030F1		N-N-14		170 mm	KOB-2438U1030R200	683.30
MODEL SK60							
ARM			P-UB-1	65 mm		KOB-2438U1097R100	199.48
			N-N-10		110 mm	KOB-2438U716R140	253.33
BOOM			P-UB-1	70 mm		KOB-2438U721R100	298.21
			N-N-10		125 mm	KOB-2438U1094R140	341.31
BUCKET			P-UB-1	60 mm		KOB-2438U1096R100	221.43
			N-N-10		95 mm	KOB-2438U1096R200	258.48
MODEL SK70SR							
ARM	YT01V00002F1	YT01-00101-	N-N-10		95 mm	KOB-2438U1096R200	258.48
BOOM	YT01V00001F1	YT01-00101-	N-N-10		110 mm	KOB-2438U716R140	253.33
MODEL SK70SR-1E							
ARM	YT01V00002F1	YT02-04001-YT02-05431	N-N-10		95 mm	KOB-2438U1096R200	258.48
	YT01V00002F1	YT03-05432-	N-N-10		95 mm	KOB-2438U1096R200	258.48
	YT01V00002F1	YT04-07001-	N-N-10		95 mm	KOB-2438U1096R200	258.48
BOOM	YT01V00004F1	YT04-07001-	N-N-10		110 mm	KOB-2438U716R140	253.33
	YT01V00004F2	YT04-07001-	N-N-10		110 mm	KOB-2438U716R140	253.33
BOOM Straight Boom	YT01V00004F1	YT02-04001-YT02-05431	N-N-10		110 mm	KOB-2438U716R140	253.33
	YT01V00004F1	YT03-05432-	N-N-10		110 mm	KOB-2438U716R140	253.33
	YT01V00004F2	YT02-04001-YT02-05431	N-N-10		110 mm	KOB-2438U716R140	253.33
	YT01V00004F2	YT03-05432-	N-N-10		110 mm	KOB-2438U716R140	253.33
MODEL SK70SR-1ES							
ARM	YT01V00002F1	YT04-07001-	N-N-10		95 mm	KOB-2438U1096R200	258.48
BOOM	YT01V00004F1	YT04-07001-	N-N-10		110 mm	KOB-2438U716R140	253.33
	YT01V00004F2	YT04-07001-	N-N-10		110 mm	KOB-2438U716R140	253.33
MODEL SK80CS							
ARM	YT01V00002F1	LF01-00501-LF01-00861	N-N-10		95 mm	KOB-2438U1096R200	258.48
BOOM	LF01V00003F1	LF01-00501-LF01-00861	N-N-10		110 mm	KOB-2438U716R140	253.33
MODEL SK80CS-1E							
ARM	YT01V00002F1	LF02-01001-LF02-01279	N-N-10		95 mm	KOB-2438U1096R200	258.48
	YT01V00002F1	LF03-01280-	N-N-10		95 mm	KOB-2438U1096R200	258.48
	YT01V00002F1	LF04-02001-	N-N-10		95 mm	KOB-2438U1096R200	258.48
MODEL SK80MSR							
ARM	YT01V00002F1	LF01-00501-LF01-00861	N-N-10		95 mm	KOB-2438U1096R200	258.48
BOOM	LF01V00003F1	LF01-00501-LF01-00861	N-N-10		110 mm	KOB-2438U716R140	253.33
MODEL SK80MSR-1E							
ARM	YT01V00002F1	LF01-01001-LF02-01001-01279	N-N-10		95 mm	KOB-2438U1096R200	258.48
	YT01V00002F1	LF02-01001-	N-N-10		95 mm	KOB-2438U1096R200	258.48
	YT01V00002F1	LF03-01280-	N-N-10		95 mm	KOB-2438U1096R200	258.48
	YT01V00002F1	LF04-02001-	N-N-10		95 mm	KOB-2438U1096R200	258.48
MODEL SK80MSR-1ES							
ARM	YT01V00002F1	LF04-02001-	N-N-10		95 mm	KOB-2438U1096R200	258.48

KOBELCO

KOBELCO

Replacement Kits For

Excavators							
APPLICATION	CYL #	SERIAL #	CODE	ROD	BORE	KIT #	List \$
MODEL SK100							
ARM			P-UB-1	75 mm		KOB-2438U1098R100	210.52
			N-N-10		115 mm	KOB-2438U1098R200	425.52
BOOM			P-UB-1	70 mm		KOB-2438U1099R100	225.82
			N-N-10		100 mm	KOB-2438U1123R200	312.32
BUCKET			P-UB-1	65 mm		KOB-2438U1097R100	199.48
			N-N-10		95 mm	KOB-2438U1097R200	308.95
MODEL SK115DZ IV							
ARM	2438U1132F1	LPU5001-	P-UB-10	80 mm	120 mm	KOB-2438U1132R300	690.51
	2438U1132F1	LPU5001-	P-UB-1	80 mm		KOB-2438U1132R100	248.37
	2438U1132F1	LPU5001-	N-N-10		120 mm	KOB-2438U1132R200	442.14
BOOM LH	2438U1134F1	LPU5001-	P-UB-10	70 mm	105 mm	KOB-2438U1133R300	510.87
	2438U1134F1	LPU5001-	P-UB-1	70 mm		KOB-2438U1133R100	222.76
	2438U1134F1	LPU5001-	N-N-10		105 mm	KOB-2438U1133R200	314.98
BOOM RH	2438U1133F1	LPU5001-	P-UB-10	70 mm	105 mm	KOB-2438U1133R300	510.87
	2438U1133F1	LPU5001-	P-UB-1	70 mm		KOB-2438U1133R100	222.76
	2438U1133F1	LPU5001-	N-N-10		105 mm	KOB-2438U1133R200	314.98
BUCKET	2438U1131F1	LPU5001-	P-UB-10	65 mm	100 mm	KOB-2438U1131R300	495.14
	2438U1131F1	LPU5001-	P-UB-1	65 mm		KOB-2438U1131R100	199.48
	2438U1131F1	LPU5001-	N-N-10		100 mm	KOB-2438U1131R200	321.76
DOZER	2438U738F1	LPU5001-	P-UB-10	65 mm	100 mm	KOB-2438U738R400	190.58
	2438U738F1	LPU5001-	P-UB-1	65 mm		KOB-2438U738R100	113.01
	2438U738F1	LPU5001-	N-N-10		100 mm	KOB-2438U738R200	77.53
	2438U738F2	LPU5001-	P-UB-10	65 mm	100 mm	KOB-2438U738R400	190.58
	2438U738F2	LPU5001-	P-UB-1	65 mm		KOB-2438U738R300	113.01
	2438U738F2	LPU5001-	N-N-10		100 mm	KOB-2438U738R200	77.53
MODEL SK115SRDZ							
ARM	YY01V00003F1	YY00101-	P-UB-14	80 mm	115 mm	KOB-YY01V00003R300	373.80
	YY01V00003F1	YY00101-	P-UB-1	80 mm		KOB-YY01V00003R100	137.65
	YY01V00003F1	YY00101-	N-N-14		115 mm	KOB-YY01V00003R200	236.16
	YY01V00003F1	YY02-03001-	P-UB-14	80 mm	115 mm	KOB-YY01V00003R300	373.80
	YY01V00003F1	YY02-03001-	P-UB-1	80 mm		KOB-YY01V00003R100	137.65
	YY01V00003F1	YY02-03001-	N-N-14		115 mm	KOB-YY01V00003R200	236.16
	YY01V00003F2	YY00101-	P-UB-14	80 mm	115 mm	KOB-YY01V00003R300	373.80
	YY01V00003F2	YY00101-	P-UB-1	80 mm		KOB-YY01V00003R100	137.65
	YY01V00003F2	YY00101-	N-N-14		115 mm	KOB-YY01V00003R200	236.16
	YY01V00003F2	YY02-03001-	P-UB-14	80 mm	115 mm	KOB-YY01V00003R300	373.80
	YY01V00003F2	YY02-03001-	P-UB-1	80 mm		KOB-YY01V00003R100	137.65
	YY01V00003F2	YY02-03001-	N-N-14		115 mm	KOB-YY01V00003R200	236.16
	YY01V00009F1	YY02-03001-	P-UB-14	80 mm	115 mm	KOB-YY01V00009R300	373.80
	YY01V00009F1	YY02-03001-	P-UB-1	80 mm		KOB-YY01V00009R100	137.65
	YY01V00009F1	YY02-03001-	N-N-14		115 mm	KOB-YY01V00009R200	236.16
	ARM Telescopic	LP01V00010F1	YY02-03001-	P-UB-14	50 mm	70 mm	KOB-LP01V00004R300
LP01V00010F1		YY02-03001-	P-UB-1	50 mm		KOB-LP01V00004R100	138.23
LP01V00010F1		YY02-03001-	N-N-14		70 mm	KOB-LP01V00004R200	265.42
BOOM LH	YY01V00001F1	YY00101-	P-UB-14	70 mm	100 mm	KOB-YY01V00001R300	408.50
	YY01V00001F1	YY00101-	P-UB-1	70 mm		KOB-YY01V00001R100	124.05
	YY01V00001F1	YY00101-	N-N-14		100 mm	KOB-YY01V00001R200	284.48
	YY01V00001F1	YY02-03001-	P-UB-14	70 mm	100 mm	KOB-YY01V00001R300	408.50
	YY01V00001F1	YY02-03001-	P-UB-1	70 mm		KOB-YY01V00001R100	124.05
	YY01V00001F1	YY02-03001-	N-N-14		100 mm	KOB-YY01V00001R200	284.48
BOOM RH	YY01V00002F1	YY00101-	P-UB-14	70 mm	100 mm	KOB-YY01V00001R300	408.50
	YY01V00002F1	YY00101-	P-UB-1	70 mm		KOB-YY01V00001R100	124.05
	YY01V00002F1	YY00101-	N-N-14		100 mm	KOB-YY01V00001R200	284.48
	YY01V00002F1	YY02-03001-	P-UB-14	70 mm	100 mm	KOB-YY01V00001R300	408.50
	YY01V00002F1	YY02-03001-	P-UB-1	70 mm		KOB-YY01V00001R100	124.05

KOBELCO

Replacement Kits For

KOBELCO

KOBELCO

Excavators							
APPLICATION	CYL #	SERIAL #	CODE	ROD	BORE	KIT #	List \$
MODEL SK115SRDZ							
BOOM RH	YY01V00002F1	YY02-03001-	N-N-14		100 mm	KOB-YY01V00001R200	284.48
BUCKET	YX01V00005F1	YY00101-	P-UB-14	65 mm	95 mm	KOB-YX01V00005R300	159.85
	YX01V00005F1	YY00101-	P-UB-1	65 mm		KOB-YX01V00005R100	115.70
	YX01V00005F1	YY00101-	N-N-14		95 mm	KOB-YX01V00005R200	132.97
	YX01V00005F1	YY02-03001-	P-UB-14	65 mm	95 mm	KOB-YX01V00005R300	159.85
	YX01V00005F1	YY02-03001-	P-UB-1	65 mm		KOB-YX01V00005R100	115.70
	YX01V00005F1	YY02-03001-	N-N-14		95 mm	KOB-YX01V00005R200	132.97
	YX01V00005F2	YY02-03001-	P-UB-14	65 mm	95 mm	KOB-YX01V00005R300	159.85
	YX01V00005F2	YY02-03001-	P-UB-1	65 mm		KOB-YX01V00005R100	115.70
	YX01V00005F2	YY02-03001-	N-N-14		95 mm	KOB-YX01V00005R200	132.97
	YX01V00005F3	YY02-03001-	P-UB-14	65 mm	95 mm	KOB-YX01V00005R300	159.85
	YX01V00005F3	YY02-03001-	P-UB-1	65 mm		KOB-YX01V00005R100	115.70
	YX01V00005F3	YY02-03001-	N-N-14		95 mm	KOB-YX01V00005R200	132.97
	YX01V00005F4	YY02-03001-	P-UB-14	65 mm	95 mm	KOB-YX01V00005R300	159.85
	YX01V00005F4	YY02-03001-	P-UB-1	65 mm		KOB-YX01V00005R100	115.70
YX01V00005F4	YY02-03001-	N-N-14		95 mm	KOB-YX01V00005R200	132.97	
DOZER LH	YX01V00006F1	YY00101-	P-UB-10	65 mm	110 mm	KOB-YX01V00006R300	287.50
	YX01V00006F1	YY00101-	P-UB-1	65 mm		KOB-YX01V00006R100	148.53
	YX01V00006F1	YY00101-	N-N-10		110 mm	KOB-YX01V00006R200	138.98
	YX01V00006F1	YY02-03001-	P-UB-10	65 mm	110 mm	KOB-YX01V00006R300	287.50
	YX01V00006F1	YY02-03001-	P-UB-1	65 mm		KOB-YX01V00006R100	148.53
	YX01V00006F1	YY02-03001-	N-N-10		110 mm	KOB-YX01V00006R200	138.98
DOZER RH	YX01V00007F1	YY00101-	P-UB-10	65 mm	110 mm	KOB-YX01V00007R300	287.50
	YX01V00007F1	YY00101-	P-UB-1	65 mm		KOB-YX01V00007R100	148.53
	YX01V00007F1	YY00101-	N-N-10		110 mm	KOB-YX01V00007R200	138.98
	YX01V00007F1	YY02-03001-	P-UB-10	65 mm	110 mm	KOB-YX01V00007R300	287.50
	YX01V00007F1	YY02-03001-	P-UB-1	65 mm		KOB-YX01V00007R100	148.53
	YX01V00007F1	YY02-03001-	N-N-10		110 mm	KOB-YX01V00007R200	138.98
OFFSET	YX01V00008F1	YY02-03001-	P-UB-14	70 mm	105 mm	KOB-YX01V00008R300	241.07
	YX01V00008F1	YY02-03001-	P-UB-1	70 mm		KOB-YX01V00008R100	83.21
	YX01V00008F1	YY02-03001-	N-N-14		105 mm	KOB-YX01V00008R200	157.83
MODEL SK115SRDZ-1E							
ARM	YY01V00003F1	YY03-04555-YY03-05770	P-UB-14	80 mm	115 mm	KOB-YY01V00003R300	373.80
	YY01V00003F1	YY03-04555-YY03-05770	P-UB-1	80 mm		KOB-YY01V00003R100	137.65
	YY01V00003F1	YY03-04555-YY03-05770	N-N-14		115 mm	KOB-YY01V00003R200	236.16
	YY01V00003F1	YY04-06001-	P-UB-14	80 mm	115 mm	KOB-YY01V00003R300	373.80
	YY01V00003F1	YY04-06001-	P-UB-1	80 mm		KOB-YY01V00003R100	137.65
	YY01V00003F1	YY04-06001-	N-N-14		115 mm	KOB-YY01V00003R200	236.16
	YY01V00003F2	YY03-04555-YY03-05770	P-UB-14	80 mm	115 mm	KOB-YY01V00003R300	373.80
	YY01V00003F2	YY03-04555-YY03-05770	P-UB-1	80 mm		KOB-YY01V00003R100	137.65
	YY01V00003F2	YY03-04555-YY03-05770	N-N-14		115 mm	KOB-YY01V00003R200	236.16
	YY01V00003F2	YY04-06001-	P-UB-14	80 mm	115 mm	KOB-YY01V00003R300	373.80
	YY01V00003F2	YY04-06001-	P-UB-1	80 mm		KOB-YY01V00003R100	137.65
	YY01V00003F2	YY04-06001-	N-N-14		115 mm	KOB-YY01V00003R200	236.16
	YY01V00003F3	YY04-06001-	P-UB-14	80 mm	115 mm	KOB-YY01V00003R300	373.80
	YY01V00003F3	YY04-06001-	P-UB-1	80 mm		KOB-YY01V00003R100	137.65
	YY01V00003F3	YY04-06001-	N-N-14		115 mm	KOB-YY01V00003R200	236.16
	YY01V00003F4	YY04-06001-	P-UB-14	80 mm	115 mm	KOB-YY01V00004R910	375.02
	YY01V00003F4	YY04-06001-	P-UB-1	80 mm		KOB-YY01V00004R900	138.81
	YY01V00003F4	YY04-06001-	N-N-14		115 mm	KOB-YY01V00003R200	236.16
	YY01V00003F5	YY04-06001-	P-UB-14	80 mm	115 mm	KOB-YY01V00004R910	375.02
	YY01V00003F5	YY04-06001-	P-UB-1	80 mm		KOB-YY01V00004R900	138.81
	YY01V00003F5	YY04-06001-	N-N-14		115 mm	KOB-YY01V00003R200	236.16
YY01V00009F1	YY03-04555-YY03-05770	P-UB-14	80 mm	115 mm	KOB-YY01V00009R300	373.80	
YY01V00009F1	YY03-04555-YY03-05770	P-UB-1	80 mm		KOB-YY01V00009R100	137.65	

FORMERLY LISTED REPAIR PARTS ARE AVAILABLE ONLINE AT WWW.HERCULESUS.COM
OR BY CONTACTING YOUR REGIONAL HERCULES SALES TEAM.

Replacement Kits For

KOBELCO

Excavators							
APPLICATION	CYL #	SERIAL #	CODE	ROD	BORE	KIT #	List \$
MODEL SK115SRDZ-1E							
ARM	YY01V00009F1	YY03-04555-YY03-05770	N-N-14		115 mm	KOB-YY01V00009R200	236.16
	YY01V00009F1	YY04-06001-	P-UB-14	80 mm	115 mm	KOB-YY01V00003R300	373.80
	YY01V00009F1	YY04-06001-	P-UB-1	80 mm		KOB-YY01V00003R100	137.65
	YY01V00009F1	YY04-06001-	N-N-14		115 mm	KOB-YY01V00003R200	236.16
	YY01V00009F2	YY04-06001-	P-UB-14	80 mm	115 mm	KOB-YY01V00004R910	375.02
	YY01V00009F2	YY04-06001-	P-UB-1	80 mm		KOB-YY01V00004R600	138.81
ARM Telescopic	YY01V00009F2	YY04-06001-	N-N-14		115 mm	KOB-YY01V00003R200	236.16
	LP01V00010F1	YY03-04555-YY03-05770	P-UB-14	50 mm	70 mm	KOB-LP01V00004R300	403.65
	LP01V00010F1	YY03-04555-YY03-05770	P-UB-1	50 mm		KOB-LP01V00004R100	138.23
BOOM LH	LP01V00010F1	YY03-04555-YY03-05770	N-N-14		70 mm	KOB-LP01V00004R200	265.42
	YY01V00001F1	YY03-04555-YY03-05770	P-UB-14	70 mm	100 mm	KOB-YY01V00001R300	408.50
	YY01V00001F1	YY03-04555-YY03-05770	P-UB-1	70 mm		KOB-YY01V00001R100	124.05
	YY01V00001F1	YY03-04555-YY03-05770	N-N-14		100 mm	KOB-YY01V00001R200	284.48
	YY01V00001F1	YY04-06001-	P-UB-14	70 mm	100 mm	KOB-YY01V00001R300	408.50
	YY01V00001F1	YY04-06001-	P-UB-1	70 mm		KOB-YY01V00001R100	124.05
	YY01V00001F1	YY04-06001-	N-N-14		100 mm	KOB-YY01V00001R200	284.48
	YY01V00001F2	YY04-06001-	P-UB-14	70 mm	100 mm	KOB-YY01V00004R700	446.43
BOOM RH	YY01V00001F2	YY04-06001-	P-UB-1	70 mm		KOB-YY01V00004R600	161.99
	YY01V00001F2	YY04-06001-	N-N-14		100 mm	KOB-YY01V00001R200	284.48
	YY01V00002F1	YY03-04555-YY03-05770	P-UB-14	70 mm	100 mm	KOB-YY01V00001R300	408.50
	YY01V00002F1	YY03-04555-YY03-05770	P-UB-1	70 mm		KOB-YY01V00001R100	124.05
	YY01V00002F1	YY03-04555-YY03-05770	N-N-14		100 mm	KOB-YY01V00001R200	284.48
	YY01V00002F1	YY04-06001-	P-UB-14	70 mm	100 mm	KOB-YY01V00001R300	408.50
	YY01V00002F1	YY04-06001-	P-UB-1	70 mm		KOB-YY01V00001R100	124.05
	YY01V00002F1	YY04-06001-	N-N-14		100 mm	KOB-YY01V00001R200	284.48
	YY01V00002F2	YY04-06001-	P-UB-14	70 mm	100 mm	KOB-YY01V00004R700	446.43
	YY01V00002F2	YY04-06001-	P-UB-1	70 mm		KOB-YY01V00004R600	161.99
BUCKET	YY01V00002F2	YY04-06001-	N-N-14		100 mm	KOB-YY01V00001R200	284.48
	YX01V00005F1	YY03-04555-YY03-05770	P-UB-14	65 mm	95 mm	KOB-YX01V00005R300	159.85
	YX01V00005F1	YY03-04555-YY03-05770	P-UB-1	65 mm		KOB-YX01V00005R100	115.70
	YX01V00005F1	YY03-04555-YY03-05770	N-N-14		95 mm	KOB-YX01V00005R200	132.97
	YX01V00005F1	YY04-06001-	P-UB-14	65 mm	95 mm	KOB-YX01V00005R300	159.85
	YX01V00005F1	YY04-06001-	P-UB-1	65 mm		KOB-YX01V00005R100	115.70
	YX01V00005F1	YY04-06001-	N-N-14		95 mm	KOB-YX01V00005R200	132.97
	YX01V00005F2	YY03-04555-YY03-05770	P-UB-14	65 mm	95 mm	KOB-YX01V00005R300	159.85
	YX01V00005F2	YY03-04555-YY03-05770	P-UB-1	65 mm		KOB-YX01V00005R100	115.70
	YX01V00005F2	YY03-04555-YY03-05770	N-N-14		95 mm	KOB-YX01V00005R200	132.97
	YX01V00005F2	YY04-06001-	P-UB-14	65 mm	95 mm	KOB-YX01V00005R300	159.85
	YX01V00005F2	YY04-06001-	P-UB-1	65 mm		KOB-YX01V00005R100	115.70
	YX01V00005F2	YY04-06001-	N-N-14		95 mm	KOB-YX01V00005R200	132.97
	YX01V00005F3	YY03-04555-YY03-05770	P-UB-14	65 mm	95 mm	KOB-YX01V00005R300	159.85
	YX01V00005F3	YY03-04555-YY03-05770	P-UB-1	65 mm		KOB-YX01V00005R100	115.70
	YX01V00005F3	YY03-04555-YY03-05770	N-N-14		95 mm	KOB-YX01V00005R200	132.97
	YX01V00005F3	YY04-06001-	P-UB-14	65 mm	95 mm	KOB-YX01V00005R300	159.85
	YX01V00005F3	YY04-06001-	P-UB-1	65 mm		KOB-YX01V00005R100	115.70
	YX01V00005F3	YY04-06001-	N-N-14		95 mm	KOB-YX01V00005R200	132.97
	YX01V00005F4	YY03-04555-YY03-05770	P-UB-14	65 mm	95 mm	KOB-YX01V00005R300	159.85
	YX01V00005F4	YY03-04555-YY03-05770	P-UB-1	65 mm		KOB-YX01V00005R100	115.70
	YX01V00005F4	YY03-04555-YY03-05770	N-N-14		95 mm	KOB-YX01V00005R200	132.97
	YX01V00005F4	YY04-06001-	P-UB-14	65 mm	95 mm	KOB-YX01V00005R300	159.85
	YX01V00005F4	YY04-06001-	P-UB-1	65 mm		KOB-YX01V00005R100	115.70
	YX01V00005F4	YY04-06001-	N-N-14		95 mm	KOB-YX01V00005R200	132.97
	YX01V00005F5	YY03-04555-YY03-05770	P-UB-14	65 mm	95 mm	KOB-YX01V00005R300	159.85
	YX01V00005F5	YY03-04555-YY03-05770	P-UB-1	65 mm		KOB-YX01V00005R100	115.70
	YX01V00005F5	YY03-04555-YY03-05770	N-N-14		95 mm	KOB-YX01V00005R200	132.97

KOBELCO

KOBELCO

Replacement Kits For

Excavators							
APPLICATION	CYL #	SERIAL #	CODE	ROD	BORE	KIT #	List \$
MODEL SK115SRDZ-1E							
BUCKET	YX01V00005F5	YY04-06001-	P-UB-14	65 mm	95 mm	KOB-YX01V00005R300	159.85
	YX01V00005F5	YY04-06001-	P-UB-1	65 mm		KOB-YX01V00005R100	115.70
	YX01V00005F5	YY04-06001-	N-N-14		95 mm	KOB-YX01V00005R200	132.97
	YX01V00005F6	YY04-06001-	P-UB-14	65 mm	95 mm	KOB-YY01V00005R700	172.53
	YX01V00005F6	YY04-06001-	P-UB-1	65 mm		KOB-YY01V00005R600	135.39
	YX01V00005F6	YY04-06001-	N-N-14		95 mm	KOB-YX01V00005R200	132.97
	YX01V00005F7	YY04-06001-	P-UB-14	65 mm	95 mm	KOB-YY01V00005R700	172.53
	YX01V00005F7	YY04-06001-	P-UB-1	65 mm		KOB-YY01V00005R600	135.39
	YX01V00005F7	YY04-06001-	N-N-14		95 mm	KOB-YX01V00005R200	132.97
	YX01V00005F8	YY04-06001-	P-UB-14	65 mm	95 mm	KOB-YY01V00005R700	172.53
	YX01V00005F8	YY04-06001-	P-UB-1	65 mm		KOB-YY01V00005R600	135.39
	YX01V00005F8	YY04-06001-	N-N-14		95 mm	KOB-YX01V00005R200	132.97
DOZER LH	YX01V00006F1	YY03-04555-YY03-05770	P-UB-10	65 mm	110 mm	KOB-YX01V00006R300	287.50
	YX01V00006F1	YY03-04555-YY03-05770	P-UB-1	65 mm		KOB-YX01V00006R100	148.53
	YX01V00006F1	YY03-04555-YY03-05770	N-N-10		110 mm	KOB-YX01V00006R200	138.98
	YX01V00006F1	YY04-06001-	P-UB-10	65 mm	110 mm	KOB-YX01V00006R300	287.50
	YX01V00006F1	YY04-06001-	P-UB-1	65 mm		KOB-YX01V00006R100	148.53
	YX01V00006F1	YY04-06001-	N-N-10		110 mm	KOB-YX01V00006R200	138.98
	YX01V00007F1	YY04-06001-	P-UB-10	65 mm	110 mm	KOB-YX01V00006R300	287.50
	YX01V00007F1	YY04-06001-	P-UB-1	65 mm		KOB-YX01V00006R100	148.53
DOZER RH	YX01V00007F1	YY04-06001-	N-N-10		110 mm	KOB-YX01V00006R200	138.98
	YX01V00007F1	YY03-04555-YY03-05770	P-UB-10	65 mm	110 mm	KOB-YX01V00006R300	287.50
	YX01V00007F1	YY03-04555-YY03-05770	P-UB-1	65 mm		KOB-YX01V00006R100	148.53
	YX01V00007F1	YY03-04555-YY03-05770	N-N-10		110 mm	KOB-YX01V00006R200	138.98
OFFSET	YX01V00008F1	YY03-04555-YY03-05770	P-UB-14	70 mm	105 mm	KOB-YX01V00008R300	241.07
	YX01V00008F1	YY03-04555-YY03-05770	P-UB-1	70 mm		KOB-YX01V00008R100	83.21
	YX01V00008F1	YY03-04555-YY03-05770	N-N-14		105 mm	KOB-YX01V00008R200	157.83
	YX01V00008F1	YY04-06001-	P-UB-14	70 mm	105 mm	KOB-YX01V00008R300	241.07
	YX01V00008F1	YY04-06001-	P-UB-1	70 mm		KOB-YX01V00008R100	83.21
	YX01V00008F1	YY04-06001-	N-N-14		105 mm	KOB-YX01V00008R200	157.83
	YX01V00008F2	YY04-06001-	P-UB-14	70 mm	105 mm	KOB-YX01V00008R700	319.84
	YX01V00008F2	YY04-06001-	P-UB-1	70 mm		KOB-YY01V000045R600	161.99
YX01V00008F2	YY04-06001-	N-N-14		105 mm	KOB-YX01V00008R200	157.83	
MODEL SK120							
ARM	2438U1132F1	LPU1001-	P-UB-10	80 mm	120 mm	KOB-2438U1132R300	690.51
	2438U1132F1	LPU1001-	P-UB-1	80 mm		KOB-2438U1132R100	248.37
	2438U1132F1	LPU1001-	N-N-10		120 mm	KOB-2438U1132R200	442.14
BOOM LH	2438U1134F1	LPU1001-	P-UB-10	70 mm	105 mm	KOB-2438U1133R300	510.87
	2438U1134F1	LPU1001-	P-UB-1	70 mm		KOB-2438U1133R100	222.76
	2438U1134F1	LPU1001-	N-N-10		105 mm	KOB-2438U1133R200	314.98
BOOM RH	2438U1133F1	LPU1001-	P-UB-10	70 mm	105 mm	KOB-2438U1133R300	510.87
	2438U1133F1	LPU1001-	P-UB-1	70 mm		KOB-2438U1133R100	222.76
	2438U1133F1	LPU1001-	N-N-10		105 mm	KOB-2438U1133R200	314.98
BUCKET	2438U1131F1	LPU1001-	P-UB-10	65 mm	100 mm	KOB-2438U1131R300	495.14
	2438U1131F1	LPU1001-	P-UB-1	65 mm		KOB-2438U1131R100	199.48
	2438U1131F1	LPU1001-	N-N-10		100 mm	KOB-2438U1131R200	321.76
MODEL SK120LC							
ARM	2438U1132F1	YPU1001-	P-UB-10	80 mm	120 mm	KOB-2438U1132R300	690.51
	2438U1132F1	YPU1001-	P-UB-1	80 mm		KOB-2438U1132R100	248.37
	2438U1132F1	YPU1001-	N-N-10		120 mm	KOB-2438U1132R200	442.14
BOOM LH	2438U1134F1	YPU1001-	P-UB-10	70 mm	105 mm	KOB-2438U1133R300	510.87
	2438U1134F1	YPU1001-	P-UB-1	70 mm		KOB-2438U1133R100	222.76
	2438U1134F1	YPU1001-	N-N-10		105 mm	KOB-2438U1133R200	314.98
BOOM RH	2438U1133F1	YPU1001-	P-UB-10	70 mm	105 mm	KOB-2438U1133R300	510.87
	2438U1133F1	YPU1001-	P-UB-1	70 mm		KOB-2438U1133R100	222.76

KOBELCO

Replacement Kits For

KOBELCO

Excavators								
APPLICATION	CYL #	SERIAL #	CODE	ROD	BORE	KIT #	List \$	
MODEL SK120LC								
BOOM RH	2438U1133F1	YPU1001-	N-N-10		105 mm	KOB-2438U1133R200	314.98	
BUCKET	2438U1131F1	YPU1001-	P-UB-10	65 mm	100 mm	KOB-2438U1131R300	495.14	
	2438U1131F1	YPU1001-	P-UB-1	65 mm		KOB-2438U1131R100	199.48	
	2438U1131F1	YPU1001-	N-N-10		100 mm	KOB-2438U1131R200	321.76	
MODEL SK135SR								
ARM	YY01V00003F1	YY02-03001-	P-UB-14	80 mm	115 mm	KOB-YY01V00003R300	373.80	
	YY01V00003F1	YY02-03001-	P-UB-1	80 mm		KOB-YY01V00003R100	137.65	
	YY01V00003F2	YY02-03001-	P-UB-14	80 mm	115 mm	KOB-YY01V00003R300	373.80	
	YY01V00003F2	YY02-03001-	P-UB-1	80 mm		KOB-YY01V00003R100	137.65	
	YY01V00003F2	YY02-03001-	N-N-14		115 mm	KOB-YY01V00003R200	236.16	
	YY01V00009F1	YY02-03001-	P-UB-14	80 mm	115 mm	KOB-YY01V00009R300	373.80	
	YY01V00009F1	YY02-03001-	P-UB-1	80 mm		KOB-YY01V00009R100	137.65	
	YY01V00009F1	YY02-03001-	N-N-14		115 mm	KOB-YY01V00009R200	236.16	
ARM Telescopic	LP01V00010F1	YY02-03001-	P-UB-14	50 mm	70 mm	KOB-LP01V00004R300	403.65	
	LP01V00010F1	YY02-03001-	P-UB-1	50 mm		KOB-LP01V00004R100	138.23	
	LP01V00010F1	YY02-03001-	N-N-14		70 mm	KOB-LP01V00004R200	265.42	
BOOM LH	YY01V00001F1	YY02-03001-	P-UB-14	70 mm	100 mm	KOB-YY01V00001R300	408.50	
	YY01V00001F1	YY02-03001-	P-UB-1	70 mm		KOB-YY01V00001R100	124.05	
	YY01V00001F1	YY02-03001-	N-N-14		100 mm	KOB-YY01V00001R200	284.48	
BOOM RH	YY01V00002F1	YY02-03001-	P-UB-14	70 mm	100 mm	KOB-YY01V00001R300	408.50	
	YY01V00002F1	YY02-03001-	P-UB-1	70 mm		KOB-YY01V00001R100	124.05	
	YY01V00002F1	YY02-03001-	N-N-14		100 mm	KOB-YY01V00001R200	284.48	
BUCKET	YX01V00005F1	YY02-03001-	P-UB-14	65 mm	95 mm	KOB-YX01V00005R300	159.85	
	YX01V00005F1	YY02-03001-	P-UB-1	65 mm		KOB-YX01V00005R100	115.70	
	YX01V00005F1	YY02-03001-	N-N-14		95 mm	KOB-YX01V00005R200	132.97	
	YX01V00005F2	YY02-03001-	P-UB-14	65 mm	95 mm	KOB-YX01V00005R300	159.85	
	YX01V00005F2	YY02-03001-	P-UB-1	65 mm		KOB-YX01V00005R100	115.70	
	YX01V00005F2	YY02-03001-	N-N-14		95 mm	KOB-YX01V00005R200	132.97	
	YX01V00005F3	YY02-03001-	P-UB-14	65 mm	95 mm	KOB-YX01V00005R300	159.85	
	YX01V00005F3	YY02-03001-	P-UB-1	65 mm		KOB-YX01V00005R100	115.70	
	YX01V00005F3	YY02-03001-	N-N-14		95 mm	KOB-YX01V00005R200	132.97	
	YX01V00005F4	YY02-03001-	P-UB-14	65 mm	95 mm	KOB-YX01V00005R300	159.85	
	YX01V00005F4	YY02-03001-	P-UB-1	65 mm		KOB-YX01V00005R100	115.70	
	YX01V00005F4	YY02-03001-	N-N-14		95 mm	KOB-YX01V00005R200	132.97	
	DOZER LH	YX01V00006F1	YY02-03001-	P-UB-10	65 mm	110 mm	KOB-YX01V00006R300	287.50
		YX01V00006F1	YY02-03001-	P-UB-1	65 mm		KOB-YX01V00006R100	148.53
YX01V00006F1		YY02-03001-	N-N-10		110 mm	KOB-YX01V00006R200	138.98	
DOZER RH	YX01V00007F1	YY02-03001-	P-UB-10	65 mm	110 mm	KOB-YX01V00006R300	287.50	
	YX01V00007F1	YY02-03001-	P-UB-1	65 mm		KOB-YX01V00006R100	148.53	
	YX01V00007F1	YY02-03001-	N-N-10		110 mm	KOB-YX01V00006R200	138.98	
OFFSET	YX01V00008F1	YY02-03001-	P-UB-14	70 mm	105 mm	KOB-YX01V00008R300	241.07	
	YX01V00008F1	YY02-03001-	P-UB-1	70 mm		KOB-YX01V00008R100	83.21	
	YX01V00008F1	YY02-03001-	N-N-14		105 mm	KOB-YX01V00008R200	157.83	
MODEL SK135SR-1E								
ARM	YY01V00003F1	YY03-04555-	P-UB-14	80 mm	115 mm	KOB-YY01V00003R300	373.80	
	YY01V00003F1	YY03-04555-	P-UB-1	80 mm		KOB-YY01V00003R100	137.65	
	YY01V00003F1	YY03-04555-	N-N-14		115 mm	KOB-YY01V00003R200	236.16	
	YY01V00003F2	YY03-04555-	P-UB-14	80 mm	115 mm	KOB-YY01V00003R300	373.80	
	YY01V00003F2	YY03-04555-	P-UB-1	80 mm		KOB-YY01V00003R100	137.65	
	YY01V00003F2	YY03-04555-	N-N-14		115 mm	KOB-YY01V00003R200	236.16	
ARM Offset Boom	YY01V00009F1	YY03-04555-	P-UB-14	80 mm	115 mm	KOB-YY01V00009R300	373.80	
	YY01V00009F1	YY03-04555-	P-UB-1	80 mm		KOB-YY01V00009R100	137.65	
	YY01V00009F1	YY03-04555-	N-N-14		115 mm	KOB-YY01V00009R200	236.16	
ARM Telescopic	LP01V00010F1	YY03-04555-	P-UB-14	50 mm	70 mm	KOB-LP01V00004R300	403.65	

KOBELCO

Replacement Kits For

KOBELCO

Excavators							
APPLICATION	CYL #	SERIAL #	CODE	ROD	BORE	KIT #	List \$
MODEL SK135SR-1E							
ARM Telescopic	LP01V00010F1	YY03-04555-	P-UB-1	50 mm		KOB-LP01V00004R100	138.23
	LP01V00010F1	YY03-04555-	N-N-14		70 mm	KOB-LP01V00004R200	265.42
BOOM LH	YY01V00001F1	YY03-04555-	P-UB-14	70 mm	100 mm	KOB-YY01V00001R300	408.50
	YY01V00001F1	YY03-04555-	P-UB-1	70 mm		KOB-YY01V00001R100	124.05
	YY01V00001F1	YY03-04555-	N-N-14		100 mm	KOB-YY01V00001R200	284.48
BOOM RH	YY01V00002F1	YY03-04555-	P-UB-14	70 mm	100 mm	KOB-YY01V00001R300	408.50
	YY01V00002F1	YY03-04555-	P-UB-1	70 mm		KOB-YY01V00001R100	124.05
	YY01V00002F1	YY03-04555-	N-N-14		100 mm	KOB-YY01V00001R200	284.48
BUCKET	YX01V00005F1	YY03-04555-	P-UB-14	65 mm	95 mm	KOB-YX01V00005R300	159.85
	YX01V00005F1	YY03-04555-	P-UB-1	65 mm		KOB-YX01V00005R100	115.70
	YX01V00005F1	YY03-04555-	N-N-14		95 mm	KOB-YX01V00005R200	132.97
	YX01V00005F2	YY03-04555-	P-UB-14	65 mm	95 mm	KOB-YX01V00005R300	159.85
	YX01V00005F2	YY03-04555-	P-UB-1	65 mm		KOB-YX01V00005R100	115.70
	YX01V00005F2	YY03-04555-	N-N-14		95 mm	KOB-YX01V00005R200	132.97
	YX01V00005F3	YY03-04555-	P-UB-14	65 mm	95 mm	KOB-YX01V00005R300	159.85
	YX01V00005F3	YY03-04555-	P-UB-1	65 mm		KOB-YX01V00005R100	115.70
	YX01V00005F3	YY03-04555-	N-N-14		95 mm	KOB-YX01V00005R200	132.97
	YX01V00005F4	YY03-04555-	P-UB-14	65 mm	95 mm	KOB-YX01V00005R300	159.85
	YX01V00005F4	YY03-04555-	P-UB-1	65 mm		KOB-YX01V00005R100	115.70
	YX01V00005F4	YY03-04555-	N-N-14		95 mm	KOB-YX01V00005R200	132.97
	YX01V00005F5	YY03-04555-YY03-05770	P-UB-14	65 mm	95 mm	KOB-YX01V00005R300	159.85
	YX01V00005F5	YY03-04555-YY03-05770	P-UB-1	65 mm		KOB-YX01V00005R100	115.70
	YX01V00005F5	YY03-04555-YY03-05770	N-N-14		95 mm	KOB-YX01V00005R200	132.97
DOZER LH	YX01V00006F1	YY03-04555-	P-UB-10	65 mm	110 mm	KOB-YX01V00006R300	287.50
	YX01V00006F1	YY03-04555-	P-UB-1	65 mm		KOB-YX01V00006R100	148.53
	YX01V00006F1	YY03-04555-	N-N-10		110 mm	KOB-YX01V00006R200	138.98
DOZER RH	YX01V00007F1	YY03-04555-	P-UB-10	65 mm	110 mm	KOB-YX01V00006R300	287.50
	YX01V00007F1	YY03-04555-	P-UB-1	65 mm		KOB-YX01V00006R100	148.53
	YX01V00007F1	YY03-04555-	N-N-10		110 mm	KOB-YX01V00006R200	138.98
OFFSET	YX01V00008F1	YY03-04555-	P-UB-14	70 mm	105 mm	KOB-YX01V00008R300	241.07
	YX01V00008F1	YY03-04555-	P-UB-1	70 mm		KOB-YX01V00008R100	83.21
	YX01V00008F1	YY03-04555-	N-N-14		105 mm	KOB-YX01V00008R200	157.83
MODEL SK135SRL							
ARM	YY01V00003F1	LK01-01001-	P-UB-14	80 mm	115 mm	KOB-YY01V00003R300	373.80
	YY01V00003F1	LK01-01001-	P-UB-1	80 mm		KOB-YY01V00003R100	137.65
	YY01V00003F1	LK01-01001-	N-N-14		115 mm	KOB-YY01V00003R200	236.16
	YY01V00003F2	LK01-01001-	P-UB-14	80 mm	115 mm	KOB-YY01V00003R300	373.80
	YY01V00003F2	LK01-01001-	P-UB-1	80 mm		KOB-YY01V00003R100	137.65
	YY01V00003F2	LK01-01001-	N-N-14		115 mm	KOB-YY01V00003R200	236.16
BOOM LH	YY01V00001F1	LK01-01001-	P-UB-14	70 mm	100 mm	KOB-YY01V00001R300	408.50
	YY01V00001F1	LK01-01001-	P-UB-1	70 mm		KOB-YY01V00001R100	124.05
	YY01V00001F1	LK01-01001-	N-N-14		100 mm	KOB-YY01V00001R200	284.48
BOOM RH	YY01V00002F1	LK01-01001-	P-UB-14	70 mm	100 mm	KOB-YY01V00001R300	408.50
	YY01V00002F1	LK01-01001-	P-UB-1	70 mm		KOB-YY01V00001R100	124.05
	YY01V00002F1	LK01-01001-	N-N-14		100 mm	KOB-YY01V00001R200	284.48
BUCKET	YX01V00005F1	LK01-01001-	P-UB-14	65 mm	95 mm	KOB-YX01V00005R300	159.85
	YX01V00005F1	LK01-01001-	P-UB-1	65 mm		KOB-YX01V00005R100	115.70
	YX01V00005F1	LK01-01001-	N-N-14		95 mm	KOB-YX01V00005R200	132.97
	YX01V00005F2	LK01-01001-	P-UB-14	65 mm	95 mm	KOB-YX01V00005R300	159.85
	YX01V00005F2	LK01-01001-	P-UB-1	65 mm		KOB-YX01V00005R100	115.70
	YX01V00005F2	LK01-01001-	N-N-14		95 mm	KOB-YX01V00005R200	132.97
	YX01V00005F3	LK01-01001-	P-UB-14	65 mm	95 mm	KOB-YX01V00005R300	159.85
	YX01V00005F3	LK01-01001-	P-UB-1	65 mm		KOB-YX01V00005R100	115.70
	YX01V00005F3	LK01-01001-	N-N-14		95 mm	KOB-YX01V00005R200	132.97
DOZER LH	YX01V00006F1	LK01-01001-	P-UB-10	65 mm	110 mm	KOB-YX01V00006R300	287.50

KOBELCO

Replacement Kits For

KOBELCO

Excavators							
APPLICATION	CYL #	SERIAL #	CODE	ROD	BORE	KIT #	List \$
MODEL SK135SRL							
DOZER LH	YX01V00006F1	LK01-01001-	P-UB-1	65 mm		KOB-YX01V00006R100	148.53
	YX01V00006F1	LK01-01001-	N-N-10		110 mm	KOB-YX01V00006R200	138.98
DOZER RH	YX01V00007F1	LK01-01001-	P-UB-10	65 mm	110 mm	KOB-YX01V00006R300	287.50
	YX01V00007F1	LK01-01001-	P-UB-1	65 mm		KOB-YX01V00006R100	148.53
	YX01V00007F1	LK01-01001-	N-N-10		110 mm	KOB-YX01V00006R200	138.98
OFFSET	YX01V00008F1	LK01-01001-	P-UB-14	70 mm	105 mm	KOB-YX01V00008R300	241.07
	YX01V00008F1	LK01-01001-	P-UB-1	70 mm		KOB-YX01V00008R100	83.21
	YX01V00008F1	LK01-01001-	N-N-14		105 mm	KOB-YX01V00008R200	157.83
MODEL SK135SRL-1E							
ARM	YY01V00003F1	LK03-01107-	P-UB-14	80 mm	115 mm	KOB-YY01V00003R300	373.80
	YY01V00003F1	LK03-01107-	P-UB-1	80 mm		KOB-YY01V00003R100	137.65
	YY01V00003F1	LK03-01107-	N-N-14		115 mm	KOB-YY01V00003R200	236.16
	YY01V00003F2	LK03-01107-	P-UB-14	80 mm	115 mm	KOB-YY01V00003R300	373.80
	YY01V00003F2	LK03-01107-	P-UB-1	80 mm		KOB-YY01V00003R100	137.65
	YY01V00003F2	LK03-01107-	N-N-14		115 mm	KOB-YY01V00003R200	236.16
ARM Offset Boom	YY01V00009F1	LK03-01107-	P-UB-14	80 mm	115 mm	KOB-YY01V00009R300	373.80
	YY01V00009F1	LK03-01107-	P-UB-1	80 mm		KOB-YY01V00009R100	137.65
	YY01V00009F1	LK03-01107-	N-N-14		115 mm	KOB-YY01V00009R200	236.16
ARM Telescopic	LP01V00010F1	LK03-01107-	P-UB-14	50 mm	70 mm	KOB-LP01V00004R300	403.65
	LP01V00010F1	LK03-01107-	P-UB-1	50 mm		KOB-LP01V00004R100	138.23
	LP01V00010F1	LK03-01107-	N-N-14		70 mm	KOB-LP01V00004R200	265.42
BOOM LH	YY01V00001F1	LK03-01107-	P-UB-14	70 mm	100 mm	KOB-YY01V00001R300	408.50
	YY01V00001F1	LK03-01107-	P-UB-1	70 mm		KOB-YY01V00001R100	124.05
	YY01V00001F1	LK03-01107-	N-N-14		100 mm	KOB-YY01V00001R200	284.48
BOOM RH	YY01V00002F1	LK03-01107-	P-UB-14	70 mm	100 mm	KOB-YY01V00001R300	408.50
	YY01V00002F1	LK03-01107-	P-UB-1	70 mm		KOB-YY01V00001R100	124.05
	YY01V00002F1	LK03-01107-	N-N-14		100 mm	KOB-YY01V00001R200	284.48
BUCKET	YX01V00005F1	LK03-01107-	P-UB-14	65 mm	95 mm	KOB-YX01V00005R300	159.85
	YX01V00005F1	LK03-01107-	P-UB-1	65 mm		KOB-YX01V00005R100	115.70
	YX01V00005F1	LK03-01107-	N-N-14		95 mm	KOB-YX01V00005R200	132.97
	YX01V00005F2	LK03-01107-	P-UB-14	65 mm	95 mm	KOB-YX01V00005R300	159.85
	YX01V00005F2	LK03-01107-	P-UB-1	65 mm		KOB-YX01V00005R100	115.70
	YX01V00005F2	LK03-01107-	N-N-14		95 mm	KOB-YX01V00005R200	132.97
	YX01V00005F3	LK03-01107-	P-UB-14	65 mm	95 mm	KOB-YX01V00005R300	159.85
	YX01V00005F3	LK03-01107-	P-UB-1	65 mm		KOB-YX01V00005R100	115.70
	YX01V00005F3	LK03-01107-	N-N-14		95 mm	KOB-YX01V00005R200	132.97
	YX01V00005F4	LK03-01107-	P-UB-14	65 mm	95 mm	KOB-YX01V00005R300	159.85
	YX01V00005F4	LK03-01107-	P-UB-1	65 mm		KOB-YX01V00005R100	115.70
	YX01V00005F4	LK03-01107-	N-N-14		95 mm	KOB-YX01V00005R200	132.97
	YX01V00005F5	LK03-01107-LK03-01109	P-UB-14	65 mm	95 mm	KOB-YX01V00005R300	159.85
	YX01V00005F5	LK03-01107-LK03-01109	P-UB-1	65 mm		KOB-YX01V00005R100	115.70
	YX01V00005F5	LK03-01107-LK03-01109	N-N-14		95 mm	KOB-YX01V00005R200	132.97
DOZER LH	YX01V00006F1	LK03-01107-	P-UB-10	65 mm	110 mm	KOB-YX01V00006R300	287.50
	YX01V00006F1	LK03-01107-	P-UB-1	65 mm		KOB-YX01V00006R100	148.53
	YX01V00006F1	LK03-01107-	N-N-10		110 mm	KOB-YX01V00006R200	138.98
DOZER RH	YX01V00007F1	LK03-01107-	P-UB-10	65 mm	110 mm	KOB-YX01V00006R300	287.50
	YX01V00007F1	LK03-01107-	P-UB-1	65 mm		KOB-YX01V00006R100	148.53
	YX01V00007F1	LK03-01107-	N-N-10		110 mm	KOB-YX01V00006R200	138.98
OFFSET	YX01V00008F1	LK03-01107-	P-UB-14	70 mm	105 mm	KOB-YX01V00008R300	241.07
	YX01V00008F1	LK03-01107-	P-UB-1	70 mm		KOB-YX01V00008R100	83.21
	YX01V00008F1	LK03-01107-	N-N-14		105 mm	KOB-YX01V00008R200	157.83
MODEL SK135SRLC							
ARM	YY01V00003F1	YH01-00101-	P-UB-14	80 mm	115 mm	KOB-YY01V00003R300	373.80
	YY01V00003F1	YH01-00101-	P-UB-1	80 mm		KOB-YY01V00003R100	137.65

KOBELCO

Replacement Kits For

KOBELCO

Excavators								
APPLICATION	CYL #	SERIAL #	CODE	ROD	BORE	KIT #	List \$	
MODEL	SK135SRLC							
ARM	YY01V00003F1	YH01-00101-	N-N-14		115 mm	KOB-YY01V00003R200	236.16	
	YY01V00003F1	YH02-01301-	P-UB-14	80 mm	115 mm	KOB-YY01V00003R300	373.80	
	YY01V00003F1	YH02-01301-	P-UB-1	80 mm		KOB-YY01V00003R100	137.65	
	YY01V00003F1	YH02-01301-	N-N-14		115 mm	KOB-YY01V00003R200	236.16	
	YY01V00003F2	YH01-00101-	P-UB-14	80 mm	115 mm	KOB-YY01V00003R300	373.80	
	YY01V00003F2	YH01-00101-	P-UB-1	80 mm		KOB-YY01V00003R100	137.65	
	YY01V00003F2	YH01-00101-	N-N-14		115 mm	KOB-YY01V00003R200	236.16	
	YY01V00003F2	YH02-01301-	P-UB-14	80 mm	115 mm	KOB-YY01V00003R300	373.80	
	YY01V00003F2	YH02-01301-	P-UB-1	80 mm		KOB-YY01V00003R100	137.65	
	YY01V00003F2	YH02-01301-	N-N-14		115 mm	KOB-YY01V00003R200	236.16	
	YY01V00009F1	YH02-01301-	P-UB-14	80 mm	115 mm	KOB-YY01V00009R300	373.80	
	YY01V00009F1	YH02-01301-	P-UB-1	80 mm		KOB-YY01V00009R100	137.65	
	YY01V00009F1	YH02-01301-	N-N-14		115 mm	KOB-YY01V00009R200	236.16	
	ARM Telescopic	LP01V00010F1	YH02-01301-	P-UB-14	50 mm	70 mm	KOB-LP01V00004R300	403.65
LP01V00010F1		YH02-01301-	P-UB-1	50 mm		KOB-LP01V00004R100	138.23	
LP01V00010F1		YH02-01301-	N-N-14		70 mm	KOB-LP01V00004R200	265.42	
BOOM LH	YY01V00001F1	YH01-00101-	P-UB-14	70 mm	100 mm	KOB-YY01V00001R300	408.50	
	YY01V00001F1	YH01-00101-	P-UB-1	70 mm		KOB-YY01V00001R100	124.05	
	YY01V00001F1	YH01-00101-	N-N-14		100 mm	KOB-YY01V00001R200	284.48	
	YY01V00001F1	YH02-01301-	P-UB-14	70 mm	100 mm	KOB-YY01V00001R300	408.50	
	YY01V00001F1	YH02-01301-	P-UB-1	70 mm		KOB-YY01V00001R100	124.05	
	YY01V00001F1	YH02-01301-	N-N-14		100 mm	KOB-YY01V00001R200	284.48	
BOOM RH	YY01V00002F1	YH01-00101-	P-UB-14	70 mm	100 mm	KOB-YY01V00001R300	408.50	
	YY01V00002F1	YH01-00101-	P-UB-1	70 mm		KOB-YY01V00001R100	124.05	
	YY01V00002F1	YH01-00101-	N-N-14		100 mm	KOB-YY01V00001R200	284.48	
	YY01V00002F1	YH02-01301-	P-UB-14	70 mm	100 mm	KOB-YY01V00001R300	408.50	
	YY01V00002F1	YH02-01301-	P-UB-1	70 mm		KOB-YY01V00001R100	124.05	
	YY01V00002F1	YH02-01301-	N-N-14		100 mm	KOB-YY01V00001R200	284.48	
BUCKET	YX01V00005F1	YH01-00101-	P-UB-14	65 mm	95 mm	KOB-YX01V00005R300	159.85	
	YX01V00005F1	YH01-00101-	P-UB-1	65 mm		KOB-YX01V00005R100	115.70	
	YX01V00005F1	YH01-00101-	N-N-14		95 mm	KOB-YX01V00005R200	132.97	
	YX01V00005F1	YH02-01301-	P-UB-14	65 mm	95 mm	KOB-YX01V00005R300	159.85	
	YX01V00005F1	YH02-01301-	P-UB-1	65 mm		KOB-YX01V00005R100	115.70	
	YX01V00005F1	YH02-01301-	N-N-14		95 mm	KOB-YX01V00005R200	132.97	
	YX01V00005F2	YH01-00101-	P-UB-14	65 mm	95 mm	KOB-YX01V00005R300	159.85	
	YX01V00005F2	YH01-00101-	P-UB-1	65 mm		KOB-YX01V00005R100	115.70	
	YX01V00005F2	YH01-00101-	N-N-14		95 mm	KOB-YX01V00005R200	132.97	
	YX01V00005F2	YH02-01301-	P-UB-14	65 mm	95 mm	KOB-YX01V00005R300	159.85	
	YX01V00005F2	YH02-01301-	P-UB-1	65 mm		KOB-YX01V00005R100	115.70	
	YX01V00005F2	YH02-01301-	N-N-14		95 mm	KOB-YX01V00005R200	132.97	
	YX01V00005F3	YH01-00101-	P-UB-14	65 mm	95 mm	KOB-YX01V00005R300	159.85	
	YX01V00005F3	YH01-00101-	P-UB-1	65 mm		KOB-YX01V00005R100	115.70	
	YX01V00005F3	YH01-00101-	N-N-14		95 mm	KOB-YX01V00005R200	132.97	
	YX01V00005F3	YH02-01301-	P-UB-14	65 mm	95 mm	KOB-YX01V00005R300	159.85	
	YX01V00005F3	YH02-01301-	P-UB-1	65 mm		KOB-YX01V00005R100	115.70	
	YX01V00005F3	YH02-01301-	N-N-14		95 mm	KOB-YX01V00005R200	132.97	
	YX01V00005F4	YH02-01301-	P-UB-14	65 mm	95 mm	KOB-YX01V00005R300	159.85	
	YX01V00005F4	YH02-01301-	P-UB-1	65 mm		KOB-YX01V00005R100	115.70	
YX01V00005F4	YH02-01301-	N-N-14		95 mm	KOB-YX01V00005R200	132.97		
DOZER LH	YX01V00006F1	YH02-01301-	P-UB-10	65 mm	110 mm	KOB-YX01V00006R300	287.50	
	YX01V00006F1	YH02-01301-	P-UB-1	65 mm		KOB-YX01V00006R100	148.53	
	YX01V00006F1	YH02-01301-	N-N-10		110 mm	KOB-YX01V00006R200	138.98	
	YX01V00006R1	YH01-00101-	P-UB-10	65 mm	110 mm	KOB-YX01V00006R300	287.50	
	YX01V00006R1	YH01-00101-	P-UB-1	65 mm		KOB-YX01V00006R100	148.53	
	YX01V00006R1	YH01-00101-	N-N-10		110 mm	KOB-YX01V00006R200	138.98	

FORMERLY LISTED REPAIR PARTS ARE AVAILABLE ONLINE AT WWW.HERCULESUS.COM
OR BY CONTACTING YOUR REGIONAL HERCULES SALES TEAM.

KOBELCO

Replacement Kits For

Excavators								
APPLICATION	CYL #	SERIAL #	CODE	ROD	BORE	KIT #	List \$	
MODEL SK135SRLC								
DOZER RH	YX01V00007F1	YH02-01301-	P-UB-10	65 mm	110 mm	KOB-YX01V00006R300	287.50	
	YX01V00007F1	YH02-01301-	P-UB-1	65 mm		KOB-YX01V00006R100	148.53	
	YX01V00007F1	YH02-01301-	N-N-10		110 mm	KOB-YX01V00006R200	138.98	
	YX01V00007R1	YH01-00101-	P-UB-10	65 mm	110 mm	KOB-YX01V00006R300	287.50	
	YX01V00007R1	YH01-00101-	P-UB-1	65 mm		KOB-YX01V00006R100	148.53	
	YX01V00007R1	YH01-00101-	N-N-10		110 mm	KOB-YX01V00006R200	138.98	
OFFSET	YX01V00008F1	YH01-00101-	P-UB-14	70 mm	105 mm	KOB-YX01V00008R300	241.07	
	YX01V00008F1	YH01-00101-	P-UB-1	70 mm		KOB-YX01V00008R100	83.21	
	YX01V00008F1	YH01-00101-	N-N-14		105 mm	KOB-YX01V00008R200	157.83	
	YX01V00008F1	YH02-01301-	P-UB-14	70 mm	105 mm	KOB-YX01V00008R300	241.07	
	YX01V00008F1	YH02-01301-	P-UB-1	70 mm		KOB-YX01V00008R100	83.21	
	YX01V00008F1	YH02-01301-	N-N-14		105 mm	KOB-YX01V00008R200	157.83	
MODEL SK135SRLC-1E								
ARM	YY01V00003F1	YH03-02097-	P-UB-14	80 mm	115 mm	KOB-YY01V00003R300	373.80	
	YY01V00003F1	YH03-02097-	P-UB-1	80 mm		KOB-YY01V00003R100	137.65	
	YY01V00003F1	YH03-02097-	N-N-14		115 mm	KOB-YY01V00003R200	236.16	
	YY01V00003F1	YH04-03001-	P-UB-14	80 mm	115 mm	KOB-YY01V00003R300	373.80	
	YY01V00003F1	YH04-03001-	P-UB-1	80 mm		KOB-YY01V00003R100	137.65	
	YY01V00003F1	YH04-03001-	N-N-14		115 mm	KOB-YY01V00003R200	236.16	
	YY01V00003F1	YY04-03001-	P-UB-14	80 mm	115 mm	KOB-YY01V00003R300	373.80	
	YY01V00003F1	YY04-03001-	P-UB-1	80 mm		KOB-YY01V00003R100	137.65	
	YY01V00003F1	YY04-03001-	N-N-14		115 mm	KOB-YY01V00003R200	236.16	
	YY01V00003F2	YH03-02097-	P-UB-14	80 mm	115 mm	KOB-YY01V00003R300	373.80	
	YY01V00003F2	YH03-02097-	P-UB-1	80 mm		KOB-YY01V00003R100	137.65	
	YY01V00003F2	YH03-02097-	N-N-14		115 mm	KOB-YY01V00003R200	236.16	
	YY01V00003F2	YH04-03001-	P-UB-14	80 mm	115 mm	KOB-YY01V00003R300	373.80	
	YY01V00003F2	YH04-03001-	P-UB-1	80 mm		KOB-YY01V00003R100	137.65	
	YY01V00003F2	YH04-03001-	N-N-14		115 mm	KOB-YY01V00003R200	236.16	
	YY01V00003F2	YY04-03001-	P-UB-14	80 mm	115 mm	KOB-YY01V00003R300	373.80	
	YY01V00003F2	YY04-03001-	P-UB-1	80 mm		KOB-YY01V00003R100	137.65	
	YY01V00003F2	YY04-03001-	N-N-14		115 mm	KOB-YY01V00003R200	236.16	
	YY01V00003F3	YH04-03001-	P-UB-14	80 mm	115 mm	KOB-YY01V00003R300	373.80	
	YY01V00003F3	YH04-03001-	P-UB-1	80 mm		KOB-YY01V00003R100	137.65	
	YY01V00003F3	YH04-03001-	N-N-14		115 mm	KOB-YY01V00003R200	236.16	
	YY01V00003F4	YH04-03001-	P-UB-14	80 mm	115 mm	KOB-YY01V00004R910	375.02	
	YY01V00003F4	YH04-03001-	P-UB-1	80 mm		KOB-YY01V00004R900	138.81	
	YY01V00003F4	YH04-03001-	N-N-14		115 mm	KOB-YY01V00003R200	236.16	
	YY01V00003F5	YH04-03001-	P-UB-14	80 mm	115 mm	KOB-YY01V00004R910	375.02	
	YY01V00003F5	YH04-03001-	P-UB-1	80 mm		KOB-YY01V00004R900	138.81	
	YY01V00003F5	YH04-03001-	N-N-14		115 mm	KOB-YY01V00003R200	236.16	
	YY01V00009F1	YH04-03001-	P-UB-14	80 mm	115 mm	KOB-YY01V00003R300	373.80	
	YY01V00009F1	YH04-03001-	P-UB-1	80 mm		KOB-YY01V00003R100	137.65	
	YY01V00009F1	YH04-03001-	N-N-14		115 mm	KOB-YY01V00003R200	236.16	
	YY01V00009F1	YY04-03001-	P-UB-14	80 mm	115 mm	KOB-YY01V00009R300	373.80	
	YY01V00009F1	YY04-03001-	P-UB-1	80 mm		KOB-YY01V00009R100	137.65	
YY01V00009F1	YY04-03001-	N-N-14		115 mm	KOB-YY01V00009R200	236.16		
YY01V00009F2	YH04-03001-	P-UB-14	80 mm	115 mm	KOB-YY01V00004R910	375.02		
YY01V00009F2	YH04-03001-	P-UB-1	80 mm		KOB-YX01V00004R600	138.81		
YY01V00009F2	YH04-03001-	N-N-14		115 mm	KOB-YY01V00003R200	236.16		
ARM Offset Boom	YY01V00009F1	YH03-02097-	P-UB-14	80 mm	115 mm	KOB-YY01V00009R300	373.80	
	YY01V00009F1	YH03-02097-	P-UB-1	80 mm		KOB-YY01V00009R100	137.65	
	YY01V00009F1	YH03-02097-	N-N-14		115 mm	KOB-YY01V00009R200	236.16	
ARM Telescopic	LP01V00010F1	YH03-02097-	P-UB-14	50 mm	70 mm	KOB-LP01V00004R300	403.65	
	LP01V00010F1	YH03-02097-	P-UB-1	50 mm		KOB-LP01V00004R100	138.23	

KOBELCO

Replacement Kits For

KOBELCO

Excavators								
APPLICATION	CYL #	SERIAL #	CODE	ROD	BORE	KIT #	List \$	
MODEL SK135SRLC-1E								
ARM Telescopic	LP01V00010F1	YH03-02097-	N-N-14		70 mm	KOB-LP01V00004R200	265.42	
BOOM LH	YY01V00001F1	YH03-02097-	P-UB-14	70 mm	100 mm	KOB-YY01V00001R300	408.50	
	YY01V00001F1	YH03-02097-	P-UB-1	70 mm		KOB-YY01V00001R100	124.05	
	YY01V00001F1	YH03-02097-	N-N-14		100 mm	KOB-YY01V00001R200	284.48	
	YY01V00001F1	YH04-03001-	P-UB-14	70 mm	100 mm	KOB-YY01V00001R300	408.50	
	YY01V00001F1	YH04-03001-	P-UB-1	70 mm		KOB-YY01V00001R100	124.05	
	YY01V00001F1	YH04-03001-	N-N-14		100 mm	KOB-YY01V00001R200	284.48	
	YY01V00001F1	YY04-03001-	P-UB-14	70 mm	100 mm	KOB-YY01V00001R300	408.50	
	YY01V00001F1	YY04-03001-	P-UB-1	70 mm		KOB-YY01V00001R100	124.05	
	YY01V00001F1	YY04-03001-	N-N-14		100 mm	KOB-YY01V00001R200	284.48	
	YY01V00001F2	YH04-03001-	P-UB-14	70 mm	100 mm	KOB-YY01V00045R700	446.43	
	YY01V00001F2	YH04-03001-	P-UB-1	70 mm		KOB-YY01V00045R600	161.99	
	YY01V00001F2	YH04-03001-	N-N-14		100 mm	KOB-YY01V00001R200	284.48	
	BOOM RH	YY01V00002F1	YH03-02097-	P-UB-14	70 mm	100 mm	KOB-YY01V00001R300	408.50
		YY01V00002F1	YH03-02097-	P-UB-1	70 mm		KOB-YY01V00001R100	124.05
YY01V00002F1		YH03-02097-	N-N-14		100 mm	KOB-YY01V00001R200	284.48	
YY01V00002F1		YH04-03001-	P-UB-14	70 mm	100 mm	KOB-YY01V00001R300	408.50	
YY01V00002F1		YH04-03001-	P-UB-1	70 mm		KOB-YY01V00001R100	124.05	
YY01V00002F1		YH04-03001-	N-N-14		100 mm	KOB-YY01V00001R200	284.48	
YY01V00002F1		YY04-03001-	P-UB-14	70 mm	100 mm	KOB-YY01V00001R300	408.50	
YY01V00002F1		YY04-03001-	P-UB-1	70 mm		KOB-YY01V00001R100	124.05	
YY01V00002F1		YY04-03001-	N-N-14		100 mm	KOB-YY01V00001R200	284.48	
YY01V00002F2		YH04-03001-	P-UB-14	70 mm	100 mm	KOB-YY01V00045R700	446.43	
YY01V00002F2		YH04-03001-	P-UB-1	70 mm		KOB-YY01V00045R600	161.99	
YY01V00002F2		YH04-03001-	N-N-14		100 mm	KOB-YY01V00001R200	284.48	
BUCKET		YX01V00005F1	YH03-02097-	P-UB-14	65 mm	95 mm	KOB-YX01V00005R300	159.85
		YX01V00005F1	YH03-02097-	P-UB-1	65 mm		KOB-YX01V00005R100	115.70
	YX01V00005F1	YH03-02097-	N-N-14		95 mm	KOB-YX01V00005R200	132.97	
	YX01V00005F1	YH04-03001-	P-UB-14	65 mm	95 mm	KOB-YX01V00005R300	159.85	
	YX01V00005F1	YH04-03001-	P-UB-1	65 mm		KOB-YX01V00005R100	115.70	
	YX01V00005F1	YH04-03001-	N-N-14		95 mm	KOB-YX01V00005R200	132.97	
	YX01V00005F1	YY04-03001-	P-UB-14	65 mm	95 mm	KOB-YX01V00005R300	159.85	
	YX01V00005F1	YY04-03001-	P-UB-1	65 mm		KOB-YX01V00005R100	115.70	
	YX01V00005F1	YY04-03001-	N-N-14		95 mm	KOB-YX01V00005R200	132.97	
	YX01V00005F2	YH03-02097-	P-UB-14	65 mm	95 mm	KOB-YX01V00005R300	159.85	
	YX01V00005F2	YH03-02097-	P-UB-1	65 mm		KOB-YX01V00005R100	115.70	
	YX01V00005F2	YH03-02097-	N-N-14		95 mm	KOB-YX01V00005R200	132.97	
	YX01V00005F2	YH04-03001-	P-UB-14	65 mm	95 mm	KOB-YX01V00005R300	159.85	
	YX01V00005F2	YH04-03001-	P-UB-1	65 mm		KOB-YX01V00005R100	115.70	
	YX01V00005F2	YH04-03001-	N-N-14		95 mm	KOB-YX01V00005R200	132.97	
	YX01V00005F2	YY04-03001-	P-UB-14	65 mm	95 mm	KOB-YX01V00005R300	159.85	
	YX01V00005F2	YY04-03001-	P-UB-1	65 mm		KOB-YX01V00005R100	115.70	
	YX01V00005F2	YY04-03001-	N-N-14		95 mm	KOB-YX01V00005R200	132.97	
	YX01V00005F3	YH03-02097-	P-UB-14	65 mm	95 mm	KOB-YX01V00005R300	159.85	
	YX01V00005F3	YH03-02097-	P-UB-1	65 mm		KOB-YX01V00005R100	115.70	
	YX01V00005F3	YH03-02097-	N-N-14		95 mm	KOB-YX01V00005R200	132.97	
	YX01V00005F3	YH04-03001-	P-UB-14	65 mm	95 mm	KOB-YX01V00005R300	159.85	
	YX01V00005F3	YH04-03001-	P-UB-1	65 mm		KOB-YX01V00005R100	115.70	
	YX01V00005F3	YH04-03001-	N-N-14		95 mm	KOB-YX01V00005R200	132.97	
	YX01V00005F3	YY04-03001-	P-UB-14	65 mm	95 mm	KOB-YX01V00005R300	159.85	
	YX01V00005F3	YY04-03001-	P-UB-1	65 mm		KOB-YX01V00005R100	115.70	
	YX01V00005F3	YY04-03001-	N-N-14		95 mm	KOB-YX01V00005R200	132.97	
	YX01V00005F4	YH03-02097-	P-UB-14	65 mm	95 mm	KOB-YX01V00005R300	159.85	
	YX01V00005F4	YH03-02097-	P-UB-1	65 mm		KOB-YX01V00005R100	115.70	
	YX01V00005F4	YH03-02097-	N-N-14		95 mm	KOB-YX01V00005R200	132.97	

KOBELCO

Replacement Kits For

KOBELCO

Excavators								
APPLICATION	CYL #	SERIAL #	CODE	ROD	BORE	KIT #	List \$	
MODEL SK135SRLC-1E								
BUCKET	YX01V00005F4	YH04-03001-	P-UB-14	65 mm	95 mm	KOB-YX01V00005R300	159.85	
	YX01V00005F4	YH04-03001-	P-UB-1	65 mm		KOB-YX01V00005R100	115.70	
	YX01V00005F4	YH04-03001-	N-N-14		95 mm	KOB-YX01V00005R200	132.97	
	YX01V00005F4	YY04-03001-	P-UB-14	65 mm	95 mm	KOB-YX01V00005R300	159.85	
	YX01V00005F4	YY04-03001-	P-UB-1	65 mm		KOB-YX01V00005R100	115.70	
	YX01V00005F4	YY04-03001-	N-N-14		95 mm	KOB-YX01V00005R200	132.97	
	YX01V00005F5	YH03-02097-YH03-02716	P-UB-14	65 mm	95 mm	KOB-YX01V00005R300	159.85	
	YX01V00005F5	YH03-02097-YH03-02716	P-UB-1	65 mm		KOB-YX01V00005R100	115.70	
	YX01V00005F5	YH03-02097-YH03-02716	N-N-14		95 mm	KOB-YX01V00005R200	132.97	
	YX01V00005F5	YH04-03001-	P-UB-14	65 mm	95 mm	KOB-YX01V00005R300	159.85	
	YX01V00005F5	YH04-03001-	P-UB-1	65 mm		KOB-YX01V00005R100	115.70	
	YX01V00005F5	YH04-03001-	N-N-14		95 mm	KOB-YX01V00005R200	132.97	
	YX01V00005F5	YY04-03001-	P-UB-14	65 mm	95 mm	KOB-YX01V00005R300	159.85	
	YX01V00005F5	YY04-03001-	P-UB-1	65 mm		KOB-YX01V00005R100	115.70	
	YX01V00005F5	YY04-03001-	N-N-14		95 mm	KOB-YX01V00005R200	132.97	
	YX01V00005F6	YH04-03001-	P-UB-14	65 mm	95 mm	KOB-YX01V00005R700	172.53	
	YX01V00005F6	YH04-03001-	P-UB-1	65 mm		KOB-YY01V00005R600	135.39	
	YX01V00005F6	YH04-03001-	N-N-14		95 mm	KOB-YX01V00005R200	132.97	
	YX01V00005F7	YH04-03001-	P-UB-14	65 mm	95 mm	KOB-YY01V00005R700	172.53	
	YX01V00005F7	YH04-03001-	P-UB-1	65 mm		KOB-YY01V00005R600	135.39	
	YX01V00005F7	YH04-03001-	N-N-14		95 mm	KOB-YX01V00005R200	132.97	
	YX01V00005F8	YH04-03001-	P-UB-14	65 mm	95 mm	KOB-YY01V00005R700	172.53	
	YX01V00005F8	YH04-03001-	P-UB-1	65 mm		KOB-YY01V00005R600	135.39	
	YX01V00005F8	YH04-03001-	N-N-14		95 mm	KOB-YX01V00005R200	132.97	
	DOZER LH	YX01V00006F1	YH03-02097-	P-UB-10	65 mm	110 mm	KOB-YX01V00006R300	287.50
		YX01V00006F1	YH03-02097-	P-UB-1	65 mm		KOB-YX01V00006R100	148.53
		YX01V00006F1	YH03-02097-	N-N-10		110 mm	KOB-YX01V00006R200	138.98
		YX01V00006F1	YH04-03001-	P-UB-10	65 mm	110 mm	KOB-YX01V00006R300	287.50
YX01V00006F1		YH04-03001-	P-UB-1	65 mm		KOB-YX01V00006R100	148.53	
YX01V00006F1		YH04-03001-	N-N-10		110 mm	KOB-YX01V00006R200	138.98	
YX01V00006F1		YY04-03001-	P-UB-10	65 mm	110 mm	KOB-YX01V00006R300	287.50	
YX01V00006F1		YY04-03001-	P-UB-1	65 mm		KOB-YX01V00006R100	148.53	
DOZER RH	YX01V00007F1	YH03-02097-	P-UB-10	65 mm	110 mm	KOB-YX01V00006R300	287.50	
	YX01V00007F1	YH03-02097-	P-UB-1	65 mm		KOB-YX01V00006R100	148.53	
	YX01V00007F1	YH03-02097-	N-N-10		110 mm	KOB-YX01V00006R200	138.98	
	YX01V00007F1	YH04-03001-	P-UB-10	65 mm	110 mm	KOB-YX01V00006R300	287.50	
	YX01V00007F1	YH04-03001-	P-UB-1	65 mm		KOB-YX01V00006R100	148.53	
	YX01V00007F1	YH04-03001-	N-N-10		110 mm	KOB-YX01V00006R200	138.98	
	YX01V00007F1	YY04-03001-	P-UB-10	65 mm	110 mm	KOB-YX01V00006R300	287.50	
	YX01V00007F1	YY04-03001-	P-UB-1	65 mm		KOB-YX01V00006R100	148.53	
OFFSET	YX01V00008F1	YH03-02097-	P-UB-14	70 mm	105 mm	KOB-YX01V00008R300	241.07	
	YX01V00008F1	YH03-02097-	P-UB-1	70 mm		KOB-YX01V00008R100	83.21	
	YX01V00008F1	YH03-02097-	N-N-14		105 mm	KOB-YX01V00008R200	157.83	
	YX01V00008F1	YH04-03001-	P-UB-14	70 mm	105 mm	KOB-YX01V00008R300	241.07	
	YX01V00008F1	YH04-03001-	P-UB-1	70 mm		KOB-YX01V00008R100	83.21	
	YX01V00008F1	YH04-03001-	N-N-14		105 mm	KOB-YX01V00008R200	157.83	
	YX01V00008F1	YY04-03001-	P-UB-14	70 mm	105 mm	KOB-YX01V00008R300	241.07	
	YX01V00008F1	YY04-03001-	P-UB-1	70 mm		KOB-YX01V00008R100	83.21	
	YX01V00008F1	YY04-03001-	N-N-14		105 mm	KOB-YX01V00008R200	157.83	
	YX01V00008F2	YH04-03001-	P-UB-14	70 mm	105 mm	KOB-YX01V00008R700	319.84	
	YX01V00008F2	YH04-03001-	P-UB-1	70 mm		KOB-YY01V00045R600	161.99	
	YX01V00008F2	YH04-03001-	N-N-14		105 mm	KOB-YX01V00008R200	157.83	

KOBELCO

Replacement Kits For

KOBELCO

Excavators							
APPLICATION	CYL #	SERIAL #	CODE	ROD	BORE	KIT #	List \$
MODEL SK150, SK150LC							
ARM	2438U1948F1	YMU1001-	P-UB-10	90 mm	130 mm	KOB-2438U1948R500	673.99
	2438U1948F1	YMU1001-	P-UB-1	90 mm		KOB-2438U1948R400	242.70
	2438U1948F1	YMU1001-	N-N-10		130 mm	KOB-2438U1948R200	431.30
BOOM LH	2438U1947F1	YMU1001-	P-UB-10	80 mm	120 mm	KOB-2438U1946R300	465.78
	2438U1947F1	YMU1001-	P-UB-1	80 mm		KOB-2438U1105R400	178.77
	2438U1947F1	YMU1001-	N-N-10		120 mm	KOB-2438U1946R200	313.45
BOOM RH	2438U1946F1	YMU1001-	P-UB-10	80 mm	120 mm	KOB-2438U1946R300	465.78
	2438U1946F1	YMU1001-	P-UB-1	80 mm		KOB-2438U1105R400	178.77
	2438U1946F1	YMU1001-	N-N-10		120 mm	KOB-2438U1946R200	313.45
BUCKET	2438U1949F1	YMU1001-	P-UB-10	75 mm	110 mm	KOB-2438U1949R500	491.66
	2438U1949F1	YMU1001-	P-UB-1	75 mm		KOB-2438U1949R400	173.71
	2438U1949F1	YMU1001-	N-N-10		110 mm	KOB-2438U1949R200	386.45
MODEL SK150LC III							
ARM	2438U1948F1	YM000101-	P-UB-10	90 mm	130 mm	KOB-2438U1948R500	673.99
	2438U1948F1	YM000101-	P-UB-1	90 mm		KOB-2438U1948R400	242.70
	2438U1948F1	YM000101-	N-N-10		130 mm	KOB-2438U1948R200	431.30
BOOM LH	2438U1947F1	YM000101-	P-UB-10	80 mm	120 mm	KOB-2438U1946R300	465.78
	2438U1947F1	YM000101-	P-UB-1	80 mm		KOB-2438U1105R400	178.77
	2438U1947F1	YM000101-	N-N-10		120 mm	KOB-2438U1946R200	313.45
BOOM RH	2438U1946F1	YM000101-	P-UB-10	80 mm	120 mm	KOB-2438U1946R300	465.78
	2438U1946F1	YM000101-	P-UB-1	80 mm		KOB-2438U1105R400	178.77
	2438U1946F1	YM000101-	N-N-10		120 mm	KOB-2438U1946R200	313.45
BUCKET	2438U1949F1	YM000101-	P-UB-10	75 mm	110 mm	KOB-2438U1949R300	349.71
	2438U1949F1	YM000101-	P-UB-10	75 mm	110 mm	KOB-2438U1949R500	491.66
	2438U1949F1	YM000101-	P-UB-1	75 mm		KOB-2438U1949R400	173.71
	2438U1949F1	YM000101-	N-N-10		110 mm	KOB-2438U1949R200	386.45
MODEL SK150LC IV							
ARM	2438U1948F1	YMU1001-YMU1500	P-UB-10	90 mm	130 mm	KOB-2438U1948R300	673.99
	2438U1948F1	YMU1001-YMU1500	P-UB-1	90 mm		KOB-2438U1948R100	242.70
	2438U1948F1	YMU1001-YMU1500	N-N-10		130 mm	KOB-2438U1948R200	431.30
	2438U1948F1	YMU1501-	P-UB-10	90 mm	130 mm	KOB-2438U1948R300	673.99
	2438U1948F1	YMU1501-	P-UB-1	90 mm		KOB-2438U1948R100	242.70
	2438U1948F1	YMU1501-	N-N-10		130 mm	KOB-2438U1948R200	431.30
BOOM LH	2438U1947F1	YMU1001-YMU1500	P-UB-10	80 mm	120 mm	KOB-2438U1946R300	465.78
	2438U1947F1	YMU1001-YMU1500	P-UB-1	80 mm		KOB-2438U1105R400	178.77
	2438U1947F1	YMU1001-YMU1500	N-N-10		120 mm	KOB-2438U1946R200	313.45
	2438U1947F1	YMU1501-	P-UB-10	80 mm	120 mm	KOB-2438U1946R300	465.78
	2438U1947F1	YMU1501-	P-UB-1	80 mm		KOB-2438U1105R400	178.77
	2438U1947F1	YMU1501-	N-N-10		120 mm	KOB-2438U1946R200	313.45
BOOM RH	2438U1946F1	YMU1001-YMU1500	P-UB-10	80 mm	120 mm	KOB-2438U1946R300	465.78
	2438U1946F1	YMU1001-YMU1500	P-UB-1	80 mm		KOB-2438U1105R400	178.77
	2438U1946F1	YMU1001-YMU1500	N-N-10		120 mm	KOB-2438U1946R200	313.45
	2438U1967F1	YMU1501-	P-UB-10	80 mm	120 mm	KOB-2438U1946R300	465.78
	2438U1967F1	YMU1501-	P-UB-1	80 mm		KOB-2438U1105R400	178.77
	2438U1967F1	YMU1501-	N-N-10		120 mm	KOB-2438U1946R200	313.45
BUCKET	2438U1949F1	YMU1001-YMU1500	P-UB-10	75 mm	110 mm	KOB-2438U1949R300	349.71
	2438U1949F1	YMU1001-YMU1500	P-UB-1	75 mm		KOB-2438U1949R400	173.71
	2438U1949F1	YMU1001-YMU1500	N-N-10		110 mm	KOB-2438U1949R200	386.45
	2438U1949F1	YMU1501-	P-UB-10	75 mm	110 mm	KOB-2438U1949R300	349.71
	2438U1949F1	YMU1501-	P-UB-1	75 mm		KOB-2438U1949R400	173.71
	2438U1949F1	YMU1501-	N-N-10		110 mm	KOB-2438U1949R200	386.45
MODEL SK160LC							
ARM	YM01V00008F1	YM02U0101-	P-UB-10	90 mm	125 mm	KOB-YM01V00008R300	489.12
	YM01V00008F1	YM02U0101-	P-UB-1	90 mm		KOB-YM01V00008R100	153.56
	YM01V00008F1	YM02U0101-	N-N-10		125 mm	KOB-YM01V00008R200	269.44

KOBELCO

Replacement Kits For

KOBELCO

Excavators							
APPLICATION	CYL #	SERIAL #	CODE	ROD	BORE	KIT #	List \$
MODEL SK160LC							
BOOM LH	YM01V00007F1	YM02U0101-	P-UB-10	80 mm	110 mm	KOB-YM01V00006R300	369.93
	YM01V00007F1	YM02U0101-	P-UB-1	80 mm		KOB-YM01V00006R100	161.13
	YM01V00007F1	YM02U0101-	N-N-10		110 mm	KOB-YM01V00006R200	208.79
BOOM RH	YM01V00006F1	YM02U0101-	P-UB-10	80 mm	110 mm	KOB-YM01V00006R300	369.93
	YM01V00006F1	YM02U0101-	P-UB-1	80 mm		KOB-YM01V00006R100	161.13
	YM01V00006F1	YM02U0101-	N-N-10		110 mm	KOB-YM01V00006R200	208.79
BUCKET	YM01V00009F1	YM02U0101-	P-UB-10	75 mm	105 mm	KOB-YM01V00009R300	433.77
	YM01V00009F1	YM02U0101-	P-UB-1	75 mm		KOB-YM01V00009R100	144.95
	YM01V00009F1	YM02U0101-	N-N-10		105 mm	KOB-YM01V00009R200	288.81
MODEL SK160LC IV							
ARM	2438U1948F1	YM02U10101-	P-UB-10	90 mm	130 mm	KOB-2438U1948R300	673.99
	2438U1948F1	YM02U10101-	P-UB-1	90 mm		KOB-2438U1948R100	242.70
	2438U1948F1	YM02U10101-	N-N-10		130 mm	KOB-2438U1948R200	431.30
BOOM LH	2438U1947F1	YM02U10101-	P-UB-10	80 mm	120 mm	KOB-2438U1946R300	465.78
	2438U1947F1	YM02U10101-	P-UB-1	80 mm		KOB-2438U1105R400	178.77
	2438U1947F1	YM02U10101-	N-N-10		120 mm	KOB-2438U1946R200	313.45
BOOM RH	2438U1946F1	YM02U10101-	P-UB-10	80 mm	120 mm	KOB-2438U1946R300	465.78
	2438U1946F1	YM02U10101-	P-UB-1	80 mm		KOB-2438U1105R400	178.77
	2438U1946F1	YM02U10101-	N-N-10		120 mm	KOB-2438U1946R200	313.45
BUCKET	2438U1949F1	YM02U10101-	P-UB-10	75 mm	110 mm	KOB-2438U1949R300	349.71
	2438U1949F1	YM02U10101-	P-UB-1	75 mm		KOB-2438U1949R400	173.71
	2438U1949F1	YM02U10101-	N-N-10		110 mm	KOB-2438U1949R200	386.45
MODEL SK160LC-6E							
ARM	YM01V00008F3	YM03U0523-	P-UB-10	90 mm	125 mm	KOB-YM01V00008R300	489.12
	YM01V00008F3	YM03U0523-	P-UB-1	90 mm		KOB-YM01V00008R100	153.56
	YM01V00008F3	YM03U0523-	N-N-10		125 mm	KOB-YM01V00008R200	269.44
BOOM LH	YM01V00007F3	YM03U0523-	P-UB-10	80 mm	110 mm	KOB-YM01V00006R300	369.93
	YM01V00007F3	YM03U0523-	P-UB-1	80 mm		KOB-YM01V00006R100	161.13
	YM01V00007F3	YM03U0523-	N-N-10		110 mm	KOB-YM01V00006R200	208.79
BOOM RH	YM01V00006F3	YM03U0523-	P-UB-10	80 mm	110 mm	KOB-YM01V00006R300	369.93
	YM01V00006F3	YM03U0523-	P-UB-1	80 mm		KOB-YM01V00006R100	161.13
	YM01V00006F3	YM03U0523-	N-N-10		110 mm	KOB-YM01V00006R200	208.79
BUCKET	YM01V00009F4	YM03U0523-	P-UB-10	75 mm	105 mm	KOB-YM01V00009R300	433.77
	YM01V00009F4	YM03U0523-	P-UB-1	75 mm		KOB-YM01V00009R100	144.95
	YM01V00009F4	YM03U0523-	N-N-10		105 mm	KOB-YM01V00009R200	288.81
MODEL SK200							
ARM	2438U1104F1	YNU0001-	P-UB-10	100 mm	145 mm	KOB-2438U1104R500	714.14
	2438U1104F1	YNU0001-	P-UB-1	100 mm		KOB-2438U1104R400	220.31
	2438U1104F1	YNU0001-	N-N-10		145 mm	KOB-2438U1104R200	493.83
	2438U1108F1	YNU0001-	P-UB-14	100 mm	145 mm	KOB-2438U1108R300	618.83
	2438U1108F1	YNU0001-	P-UB-1	100 mm		KOB-2438U1108R100	272.99
	2438U1108F1	YNU0001-	N-N-14		145 mm	KOB-2438U1108R200	313.70
BOOM LH	2438U1103F1	YNU0001-	P-UB-10	85 mm	125 mm	KOB-2438U1102R500	523.67
	2438U1103F1	YNU0001-	P-UB-1	85 mm		KOB-2438U1102R600	189.75
	2438U1103F1	YNU0001-	N-N-10		125 mm	KOB-2438U1102R200	333.95
	2438U1107F1	YNU0001-	P-UB-10	85 mm	125 mm	KOB-2438U1106R300	676.32
	2438U1107F1	YNU0001-	P-UB-1	85 mm		KOB-2438U1106R100	250.24
	2438U1107F1	YNU0001-	N-N-10		125 mm	KOB-2438U1106R200	426.05
BOOM RH	2438U1102F1	YNU0001-	P-UB-10	85 mm	125 mm	KOB-2438U1102R500	523.67
	2438U1102F1	YNU0001-	P-UB-1	85 mm		KOB-2438U1102R600	189.75
	2438U1102F1	YNU0001-	N-N-10		125 mm	KOB-2438U1102R200	333.95
	2438U1106F1	YNU0001-	P-UB-10	85 mm	125 mm	KOB-2438U1106R300	676.32
	2438U1106F1	YNU0001-	P-UB-1	85 mm		KOB-2438U1106R100	250.24
	2438U1106F1	YNU0001-	N-N-10		125 mm	KOB-2438U1106R200	426.05
BUCKET	2438U1105F1	YNU0001-	P-UB-10	80 mm	120 mm	KOB-2438U1105R500	387.06

KOBELCO

KOBELCO

Replacement Kits For

Excavators							
APPLICATION	CYL #	SERIAL #	CODE	ROD	BORE	KIT #	List \$
MODEL SK200							
BUCKET	2438U1105F1	YNU0001-	P-UB-1	80 mm		KOB-2438U1105R400	178.77
	2438U1105F1	YNU0001-	N-N-10		120 mm	KOB-2438U1105R200	234.85
	2438U1109F1	YNU0001-	P-UB-10	80 mm	120 mm	KOB-2438U1109R300	496.27
	2438U1109F1	YNU0001-	P-UB-1	80 mm		KOB-2438U1109R200	244.53
	2438U1109F1	YNU0001-	N-N-10		120 mm	KOB-2438U1109R100	253.94
MODEL SK200 III							
ARM	2438U1104F1		P-UB-10	100 mm	145 mm	KOB-2438U1104R300	654.20
	2438U1104F1		P-UB-1	100 mm		KOB-2438U1104R400	220.31
	2438U1104F1		N-N-10		145 mm	KOB-2438U1104R200	493.83
	2438U1104F1		Bushing	100 mm		KOB-2438U1104S4	74.83
	2438U1108F1		P-UB-14	100 mm	145 mm	KOB-2438U1108R300	618.83
	2438U1108F1		P-UB-1	100 mm		KOB-2438U1108R100	272.99
	2438U1108F1		N-N-14		145 mm	KOB-2438U1108R200	313.70
	2438U1129F1		P-UB-10	120 mm	180 mm	KOB-2438U1129R300	706.70
	2438U1129F1		P-UB-1	120 mm		KOB-2438U1129R100	256.98
	2438U1129F1		N-N-10		180 mm	KOB-2445R174R200	449.69
BOOM LH	2438U1103F1		P-UB-10	85 mm	125 mm	KOB-2438U1102R300	523.67
	2438U1103F1		P-UB-1	85 mm		KOB-2438U1102R600	189.75
	2438U1103F1		N-N-10		125 mm	KOB-2438U1102R200	333.95
	2438U1107F1		P-UB-10	85 mm	125 mm	KOB-2438U1106R300	676.32
	2438U1107F1		P-UB-1	85 mm		KOB-2438U1106R100	250.24
	2438U1107F1		N-N-10		125 mm	KOB-2438U1106R200	426.05
BOOM RH	2438U1102F1		P-UB-10	85 mm	125 mm	KOB-2438U1102R300	523.67
	2438U1102F1		P-UB-1	85 mm		KOB-2438U1102R600	189.75
	2438U1102F1		N-N-10		125 mm	KOB-2438U1102R200	333.95
	2438U1106F1		P-UB-10	85 mm	125 mm	KOB-2438U1106R300	676.32
	2438U1106F1		P-UB-1	85 mm		KOB-2438U1106R100	250.24
	2438U1106F1		N-N-10		125 mm	KOB-2438U1106R200	426.05
BUCKET	2438U1097F1		P-UB-10	65 mm	95 mm	KOB-2438U1097R300	508.41
	2438U1097F1		P-UB-1	65 mm		KOB-2438U1097R100	199.48
	2438U1097F1		N-N-10		95 mm	KOB-2438U1097R200	308.95
	2438U1097F2		P-UB-10	65 mm	95 mm	KOB-2438U1097R300	508.41
	2438U1097F2		P-UB-1	65 mm		KOB-2438U1097R100	199.48
	2438U1097F2		N-N-10		95 mm	KOB-2438U1097R200	308.95
	2438U1105F1		P-UB-1	80 mm		KOB-2438U1105R400	178.77
	2438U1105F1		N-N-10		120 mm	KOB-2438U1105R200	234.85
	2438U1109F1		P-UB-10	80 mm	120 mm	KOB-2438U1109R300	496.27
	2438U1109F1		N-N-10		120 mm	KOB-2438U1109R100	253.94
	2438U1109F1		P-UB-1	80 mm		KOB-2438U1109R200	244.53
	TELESCOPIC	2438U1130F1		P-UB-1	60 mm		KOB-2438U705R100
2438U1130F2			P-UB-1	60 mm		KOB-2438U705R100	142.99
MODEL SK200 IV							
ARM	2438U1104F1	YNU0201-YNU0500	P-UB-10	100 mm	145 mm	KOB-2438U1104R300	654.20
	2438U1104F1	YNU0201-YNU0500	P-UB-1	100 mm		KOB-2438U1104R400	220.31
	2438U1104F1	YNU0201-YNU0500	N-N-10		145 mm	KOB-2438U1104R200	493.83
	2438U1104F1	YNU0201-YNU0500	Bushing	100 mm		KOB-2438U1104S4	74.83
	2438U1104F1	YNU0501-	P-UB-10	100 mm	145 mm	KOB-2438U1104R500	714.14
	2438U1104F1	YNU0501-	P-UB-1	100 mm		KOB-2438U1104R400	220.31
	2438U1104F1	YNU0501-	N-N-10		145 mm	KOB-2438U1104R200	493.83
	2438U1104F1	YNU0501-	Bushing	100 mm		KOB-2438U1104S4	74.83
BOOM LH	2438U1103F1	YNU0201-YNU0500	P-UB-10	85 mm	125 mm	KOB-2438U1102R300	523.67
	2438U1103F1	YNU0201-YNU0500	P-UB-1	85 mm		KOB-2438U1102R600	189.75
	2438U1103F1	YNU0201-YNU0500	N-N-10		125 mm	KOB-2438U1102R200	333.95
	2438U1103F1	YNU0501-	P-UB-10	85 mm	125 mm	KOB-2438U1102R500	523.67
	2438U1103F1	YNU0501-	P-UB-1	85 mm		KOB-2438U1102R600	189.75

Replacement Kits For

KOBELCO

Excavators								
APPLICATION	CYL #	SERIAL #	CODE	ROD	BORE	KIT #	List \$	
MODEL SK200 IV								
BOOM LH	2438U1103F1	YNU0501-	N-N-10		125 mm	KOB-2438U1102R200	333.95	
BOOM RH	2438U1102F1	YNU0201-YNU0500	P-UB-10	85 mm	125 mm	KOB-2438U1102R300	523.67	
	2438U1102F1	YNU0201-YNU0500	P-UB-1	85 mm		KOB-2438U1102R600	189.75	
	2438U1102F1	YNU0201-YNU0500	N-N-10		125 mm	KOB-2438U1102R200	333.95	
	2438U1102F1	YNU0501-	P-UB-10	85 mm	125 mm	KOB-2438U1102R500	523.67	
	2438U1102F1	YNU0501-	P-UB-1	85 mm		KOB-2438U1102R600	189.75	
BUCKET	2438U1102F1	YNU0501-	N-N-10		125 mm	KOB-2438U1102R200	333.95	
	2438U1097F2	YNU0501-	P-UB-1	65 mm		KOB-2438U1097R100	199.48	
	2438U1097F2	YNU0501-	N-N-10		95 mm	KOB-2438U1097R200	308.95	
	2438U1105F1	YNU0201-YNU0500	P-UB-1	80 mm		KOB-2438U1105R400	178.77	
	2438U1105F1	YNU0201-YNU0500	N-N-10		120 mm	KOB-2438U1105R200	234.85	
	2438U1105F1	YNU0501-	P-UB-10	80 mm	120 mm	KOB-2438U1105R500	387.06	
	2438U1105F1	YNU0501-	P-UB-1	80 mm		KOB-2438U1105R400	178.77	
2438U1105F1	YNU0501-	N-N-10		120 mm	KOB-2438U1105R200	234.85		
MODEL SK200 V								
ARM	YN01V00003F1	YN018001-YN022848	P-UB-14	95 mm	135 mm	KOB-YN01V00003R300	482.76	
	YN01V00003F1	YN018001-YN022848	P-UB-1	95 mm		KOB-YN01V00003R100	96.60	
	YN01V00003F1	YN018001-YN022848	N-N-14		135 mm	KOB-YN01V00019R100	386.16	
	YN01V00003F1	YQ02801-	P-UB-14	95 mm	135 mm	KOB-YN01V00003R300	482.76	
	YN01V00003F1	YQ02801-	P-UB-1	95 mm		KOB-YN01V00003R100	96.60	
	YN01V00003F1	YQ02801-	N-N-14		135 mm	KOB-YN01V00019R100	386.16	
	YN01V00003F3	YN018001-YN022848	P-UB-14	95 mm	135 mm	KOB-YN01V00003R300	482.76	
	YN01V00003F3	YN018001-YN022848	P-UB-1	95 mm		KOB-YN01V00003R100	96.60	
	YN01V00003F3	YN018001-YN022848	N-N-14		135 mm	KOB-YN01V00019R100	386.16	
	YN01V00003F3	YQ02801-	P-UB-14	95 mm	135 mm	KOB-YN01V00003R300	482.76	
	YN01V00003F3	YQ02801-	P-UB-1	95 mm		KOB-YN01V00003R100	96.60	
	YN01V00003F3	YQ02801-	N-N-14		135 mm	KOB-YN01V00019R100	386.16	
	YN01V00019F1	YNT00001-	P-UB-14	95 mm	135 mm	KOB-YN01V00019R200	482.76	
	YN01V00019F1	YNT00001-	P-UB-1	95 mm		KOB-YN01V00003R100	96.60	
	YN01V00019F1	YNT00001-	N-N-14		135 mm	KOB-YN01V00019R100	386.16	
	YN01V00019F1	YQ02801-	P-UB-14	95 mm	135 mm	KOB-YN01V00019R200	482.76	
	YN01V00019F1	YQ02801-	P-UB-1	95 mm		KOB-YN01V00003R100	96.60	
	YN01V00019F1	YQ02801-	N-N-14		135 mm	KOB-YN01V00019R100	386.16	
	YN01V00019F2	YNT00001-	P-UB-14	95 mm	135 mm	KOB-YN01V00019R200	482.76	
	YN01V00019F2	YNT00001-	P-UB-1	95 mm		KOB-YN01V00003R100	96.60	
	YN01V00019F2	YNT00001-	N-N-14		135 mm	KOB-YN01V00019R100	386.16	
	YN01V00019F2	YQ02801-	P-UB-14	95 mm	135 mm	KOB-YN01V00019R200	482.76	
	YN01V00019F2	YQ02801-	P-UB-1	95 mm		KOB-YN01V00003R100	96.60	
	YN01V00019F2	YQ02801-	N-N-14		135 mm	KOB-YN01V00019R100	386.16	
	BOOM	YN01V0001F1	YNT00001-	P-UB-14	80 mm	120 mm	KOB-YN01V00001R300	302.15
		YN01V0001F1	YNT00001-	P-UB-1	80 mm		KOB-YN01V00001R100	143.82
		YN01V0001F1	YNT00001-	N-N-14		120 mm	KOB-YN01V00001R200	158.33
		YN01V0001F2	YNT00001-	P-UB-14	80 mm	120 mm	KOB-YN01V00001R300	302.15
YN01V0001F2		YNT00001-	P-UB-1	80 mm		KOB-YN01V00001R100	143.82	
YN01V0001F2	YNT00001-	N-N-14		120 mm	KOB-YN01V00001R200	158.33		
BOOM LH	YN01V00002F1	YN018001-YN022848	P-UB-14	80 mm	120 mm	KOB-YN01V00001R300	302.15	
	YN01V00002F1	YN018001-YN022848	P-UB-1	80 mm		KOB-YN01V00001R100	143.82	
	YN01V00002F1	YN018001-YN022848	N-N-14		120 mm	KOB-YN01V00001R200	158.33	
	YN01V00002F1	YQ02801-	P-UB-14	80 mm	120 mm	KOB-YN01V00001R300	302.15	
	YN01V00002F1	YQ02801-	P-UB-1	80 mm		KOB-YN01V00001R100	143.82	
	YN01V00002F1	YQ02801-	N-N-14		120 mm	KOB-YN01V00001R200	158.33	
	YN01V00002F2	YN018001-YN022848	P-UB-14	80 mm	120 mm	KOB-YN01V00001R300	302.15	
	YN01V00002F2	YN018001-YN022848	P-UB-1	80 mm		KOB-YN01V00001R100	143.82	
	YN01V00002F2	YN018001-YN022848	N-N-14		120 mm	KOB-YN01V00001R200	158.33	
YN01V00002F2	YQ02801-	P-UB-14	80 mm	120 mm	KOB-YN01V00001R300	302.15		

KOBELCO

Replacement Kits For

KOBELCO

Excavators								
APPLICATION	CYL #	SERIAL #	CODE	ROD	BORE	KIT #	List \$	
MODEL SK200 V								
BOOM LH	YN01V00002F2	YQ02801-	P-UB-1	80 mm		KOB-YN01V00001R100	143.82	
	YN01V00002F2	YQ02801-	N-N-14		120 mm	KOB-YN01V00001R200	158.33	
BOOM RH	YN01V00001F1	YN018001-YN022848	P-UB-14	80 mm	120 mm	KOB-YN01V00001R300	302.15	
	YN01V00001F1	YN018001-YN022848	P-UB-1	80 mm		KOB-YN01V00001R100	143.82	
	YN01V00001F1	YN018001-YN022848	N-N-14		120 mm	KOB-YN01V00001R200	158.33	
	YN01V00001F1	YQ02801-	P-UB-14	80 mm	120 mm	KOB-YN01V00001R300	302.15	
	YN01V00001F1	YQ02801-	P-UB-1	80 mm		KOB-YN01V00001R100	143.82	
	YN01V00001F1	YQ02801-	N-N-14		120 mm	KOB-YN01V00001R200	158.33	
	YN01V00001F2	YN018001-YN022848	P-UB-14	80 mm	120 mm	KOB-YN01V00001R300	302.15	
	YN01V00001F2	YN018001-YN022848	P-UB-1	80 mm		KOB-YN01V00001R100	143.82	
	YN01V00001F2	YN018001-YN022848	N-N-14		120 mm	KOB-YN01V00001R200	158.33	
	YN01V00001F2	YQ02801-	P-UB-14	80 mm	120 mm	KOB-YN01V00001R300	302.15	
	YN01V00001F2	YQ02801-	P-UB-1	80 mm		KOB-YN01V00001R100	143.82	
	YN01V00001F2	YQ02801-	N-N-14		120 mm	KOB-YN01V00001R200	158.33	
	BUCKET	LP01V00005F1	YNT00001-	N-N-14		95 mm	KOB-YW01V00003R200	132.97
		LP01V00005F2	YNT00001-	N-N-14		95 mm	KOB-YW01V00003R200	132.97
LP01V00005F3		YNT00001-	N-N-14		95 mm	KOB-YW01V00003R200	132.97	
YN01V00004F1		YN018001-YN022848	P-UB-14	75 mm	115 mm	KOB-YN01V00004R300	232.27	
YN01V00004F1		YN018001-YN022848	P-UB-1	75 mm		KOB-YN01V00004R100	91.06	
YN01V00004F1		YN018001-YN022848	N-N-14		115 mm	KOB-YN01V00004R200	141.21	
YN01V00004F1		YNT00001-	P-UB-14	75 mm	115 mm	KOB-YN01V00004R300	232.27	
YN01V00004F1		YNT00001-	P-UB-1	75 mm		KOB-YN01V00004R100	91.06	
YN01V00004F1		YNT00001-	N-N-14		115 mm	KOB-YN01V00004R200	141.21	
YN01V00004F1		YNT00001-	N-N-14		115 mm	KOB-YN01V00004R200	141.21	
YN01V00004F1		YQ02801-	P-UB-14	75 mm	115 mm	KOB-YN01V00004R300	232.27	
YN01V00004F1		YQ02801-	P-UB-1	75 mm		KOB-YN01V00004R100	91.06	
YN01V00004F1		YQ02801-	N-N-14		115 mm	KOB-YN01V00004R200	141.21	
YN01V00004F2		YN018001-YN022848	P-UB-14	75 mm	115 mm	KOB-YN01V00004R300	232.27	
YN01V00004F2		YN018001-YN022848	P-UB-1	75 mm		KOB-YN01V00004R100	91.06	
YN01V00004F2		YN018001-YN022848	N-N-14		115 mm	KOB-YN01V00004R200	141.21	
YN01V00004F2		YNT00001-	P-UB-14	75 mm	115 mm	KOB-YN01V00004R300	232.27	
YN01V00004F2		YNT00001-	P-UB-1	75 mm		KOB-YN01V00004R100	91.06	
YN01V00004F2		YNT00001-	N-N-14		115 mm	KOB-YN01V00004R200	141.21	
YN01V00004F2		YQ02801-	P-UB-14	75 mm	115 mm	KOB-YN01V00004R300	232.27	
YN01V00004F2		YQ02801-	P-UB-1	75 mm		KOB-YN01V00004R100	91.06	
YN01V00004F2		YQ02801-	N-N-14		115 mm	KOB-YN01V00004R200	141.21	
BUCKET Long Range		LP01V00005F1	YN018001-YN022848	N-N-14		95 mm	KOB-YW01V00003R200	132.97
		LP01V00005F1	YNT00001-	N-N-14		95 mm	KOB-YW01V00003R200	132.97
		LP01V00005F1	YQ02801-	N-N-14		95 mm	KOB-YW01V00003R200	132.97
		LP01V00005F2	YN018001-YN022848	N-N-14		95 mm	KOB-YW01V00003R200	132.97
		LP01V00005F2	YNT00001-	N-N-14		95 mm	KOB-YW01V00003R200	132.97
		LP01V00005F2	YQ02801-	N-N-14		95 mm	KOB-YW01V00003R200	132.97
	LP01V00005F3	YN018001-YN022848	N-N-14		95 mm	KOB-YW01V00003R200	132.97	
	LP01V00005F3	YNT00001-	N-N-14		95 mm	KOB-YW01V00003R200	132.97	
	LP01V00005F3	YQ02801-	N-N-14		95 mm	KOB-YW01V00003R200	132.97	
	YW01V00003F1	YN018001-YN022848	N-N-14		95 mm	KOB-YW01V00003R200	132.97	
	MODEL SK200-6							
	ARM	YN01V00039F1	YN30001-	P-UB-14	95 mm	135 mm	KOB-YN01V00039R300	394.17
YN01V00039F1		YN30001-	P-UB-1	95 mm		KOB-YN01V00003R100	96.60	
YN01V00039F1		YN30001-	N-N-14		135 mm	KOB-YN01V00039R200	297.60	
ARM HD, Dismantle	YN01V00078F1	YN30001-	P-UB-14	95 mm	135 mm	KOB-YN01V00078R300	394.17	
	YN01V00078F1	YN30001-	P-UB-1	95 mm		KOB-YN01V00003R100	96.60	
	YN01V00078F1	YN30001-	N-N-14		135 mm	KOB-YN01V00039R200	297.60	
BOOM LH	YN01V00038F1	YN30001-	P-UB-14	85 mm	125 mm	KOB-YN01V00052R300	323.42	

KOBELCO

Replacement Kits For

KOBELCO

Excavators								
APPLICATION	CYL #	SERIAL #	CODE	ROD	BORE	KIT #	List \$	
MODEL SK200-6								
BOOM LH	YN01V00038F1	YN30001-	P-UB-1	85 mm		KOB-YN01V00052R100	91.06	
	YN01V00038F1	YN30001-	N-N-14		125 mm	KOB-YN01V00052R200	232.38	
BOOM RH	YN01V00037F1	YN30001-	P-UB-14	85 mm	125 mm	KOB-YN01V00052R300	323.42	
	YN01V00037F1	YN30001-	P-UB-1	85 mm		KOB-YN01V00052R100	91.06	
	YN01V00037F1	YN30001-	N-N-14		125 mm	KOB-YN01V00052R200	232.38	
BUCKET	YN01V00068F1	YN30001-	P-UB-14	80 mm	115 mm	KOB-YN01V00068R300	188.76	
	YN01V00068F1	YN30001-	P-UB-1	80 mm		KOB-YN01V00068R100	91.35	
	YN01V00068F1	YN30001-	N-N-14		115 mm	KOB-YN01V00068R200	97.42	
BUCKET HD, Dismantle	YN01V00077F1	YN30001-	P-UB-14	80 mm	115 mm	KOB-YN01V00077R300	188.76	
	YN01V00077F1	YN30001-	P-UB-1	80 mm		KOB-YN01V00068R100	91.35	
	YN01V00077F1	YN30001-	N-N-14		115 mm	KOB-YN01V00068R200	97.42	
MODEL SK200-6ES								
ARM	YN01V00118F1	YN10-38001-YN10-41732	P-UB-1	95 mm		KOB-YN01V00105R100	220.96	
	YN01V00118F2	YN10-38001-YN10-41732	P-UB-1	95 mm		KOB-YN01V00105R100	220.96	
	YN01V00132F1	YN10-38001-YN10-41732	P-UB-10	95 mm	135 mm	KOB-YN01V00105R900	610.86	
	YN01V00132F1	YN10-38001-YN10-41732	P-UB-1	95 mm		KOB-YN01V00105R100	220.96	
	YN01V00132F1	YN10-38001-YN10-41732	N-N-10		135 mm	KOB-YN01V00105R800	389.90	
	YN01V00132F2	YN10-38001-YN10-41732	P-UB-10	95 mm	135 mm	KOB-YN01V00105R900	610.86	
	YN01V00132F2	YN10-38001-YN10-41732	P-UB-1	95 mm		KOB-YN01V00105R100	220.96	
	YN01V00132F2	YN10-38001-YN10-41732	N-N-10		135 mm	KOB-YN01V00105R800	389.90	
	YN01V00132F3	YN10-38001-YN10-41732	P-UB-10	95 mm	135 mm	KOB-YN01V00105R900	610.86	
	YN01V00132F3	YN10-38001-YN10-41732	P-UB-1	95 mm		KOB-YN01V00105R100	220.96	
	YN01V00132F3	YN10-38001-YN10-41732	N-N-10		135 mm	KOB-YN01V00105R800	389.90	
	YN01V00132F4	YN10-38001-YN10-41732	P-UB-10	95 mm	135 mm	KOB-YN01V00105R900	610.86	
	YN01V00132F4	YN10-38001-YN10-41732	P-UB-1	95 mm		KOB-YN01V00105R100	220.96	
	YN01V00132F4	YN10-38001-YN10-41732	N-N-10		135 mm	KOB-YN01V00105R800	389.90	
	YN01V00132F5	YN10-38001-YN10-41732	P-UB-10	95 mm	135 mm	KOB-YN01V00105R900	610.86	
	YN01V00132F5	YN10-38001-YN10-41732	P-UB-1	95 mm		KOB-YN01V00105R100	220.96	
	YN01V00132F5	YN10-38001-YN10-41732	N-N-10		135 mm	KOB-YN01V00105R800	389.90	
	BOOM LH	YN01V00104F1	YN10-38001-YN10-41732	P-UB-10	85 mm	125 mm	KOB-YN01V00103R900	492.95
		YN01V00104F1	YN10-38001-YN10-41732	P-UB-1	85 mm		KOB-YN01V00103R100	189.23
YN01V00104F1		YN10-38001-YN10-41732	N-N-10		125 mm	KOB-YN01V00103R800	303.74	
YN01V00104F2		YN10-38001-YN10-41732	P-UB-10	85 mm	125 mm	KOB-YN01V00103R900	492.95	
YN01V00104F2		YN10-38001-YN10-41732	P-UB-1	85 mm		KOB-YN01V00103R100	189.23	
YN01V00104F2		YN10-38001-YN10-41732	N-N-10		125 mm	KOB-YN01V00103R800	303.74	
YN01V00104F3		YN10-38001-YN10-41732	P-UB-10	85 mm	125 mm	KOB-YN01V00103R900	492.95	
YN01V00104F3		YN10-38001-YN10-41732	P-UB-1	85 mm		KOB-YN01V00103R100	189.23	
BOOM RH	YN01V00104F3	YN10-38001-YN10-41732	N-N-10		125 mm	KOB-YN01V00103R800	303.74	
	YN01V00103F1	YN10-38001-YN10-41732	P-UB-10	85 mm	125 mm	KOB-YN01V00103R900	492.95	
	YN01V00103F1	YN10-38001-YN10-41732	P-UB-1	85 mm		KOB-YN01V00103R100	189.23	
	YN01V00103F1	YN10-38001-YN10-41732	N-N-10		125 mm	KOB-YN01V00103R800	303.74	
	YN01V00103F2	YN10-38001-YN10-41732	P-UB-10	85 mm	125 mm	KOB-YN01V00103R900	492.95	
	YN01V00103F2	YN10-38001-YN10-41732	P-UB-1	85 mm		KOB-YN01V00103R100	189.23	
	YN01V00103F2	YN10-38001-YN10-41732	N-N-10		125 mm	KOB-YN01V00103R800	303.74	
	YN01V00103F3	YN10-38001-YN10-41732	P-UB-10	85 mm	125 mm	KOB-YN01V00103R900	492.95	
BUCKET	YN01V00103F3	YN10-38001-YN10-41732	P-UB-1	85 mm		KOB-YN01V00103R100	189.23	
	YN01V00103F3	YN10-38001-YN10-41732	N-N-10		125 mm	KOB-YN01V00103R800	303.74	
	YN01V00112F1	YN10-38001-YN10-41732	P-UB-10	80 mm	120 mm	KOB-YN01V00112R900	605.23	
	YN01V00112F1	YN10-38001-YN10-41732	P-UB-1	80 mm		KOB-YN01V00112R100	221.73	
	YN01V00112F1	YN10-38001-YN10-41732	N-N-10		120 mm	KOB-YN01V00112R800	377.97	
	YN01V00112F2	YN10-38001-YN10-41732	P-UB-10	80 mm	120 mm	KOB-YN01V00112R900	605.23	
	YN01V00112F2	YN10-38001-YN10-41732	P-UB-1	80 mm		KOB-YN01V00112R100	221.73	
	YN01V00112F2	YN10-38001-YN10-41732	N-N-10		120 mm	KOB-YN01V00112R800	377.97	
YN01V00112F4	YN10-38001-YN10-41732	P-UB-10	80 mm	120 mm	KOB-YN01V00112R900	605.23		

KOBELCO

Replacement Kits For

KOBELCO

Excavators								
APPLICATION	CYL #	SERIAL #	CODE	ROD	BORE	KIT #	List \$	
MODEL SK200-6ES								
BUCKET	YN01V00112F4	YN10-38001-YN10-41732	P-UB-1	80 mm		KOB-YN01V00112R100	221.73	
	YN01V00112F4	YN10-38001-YN10-41732	N-N-10		120 mm	KOB-YN01V00112R800	377.97	
	YN01V00112F5	YN10-38001-YN10-41732	P-UB-10	80 mm	120 mm	KOB-YN01V00112R900	605.23	
	YN01V00112F5	YN10-38001-YN10-41732	P-UB-1	80 mm		KOB-YN01V00112R100	221.73	
	YN01V00112F5	YN10-38001-YN10-41732	N-N-10		120 mm	KOB-YN01V00112R800	377.97	
	YN01V00119F1	YN10-38001-YN10-41732	P-UB-1	80 mm		KOB-YN01V00112R100	221.73	
	YN01V00119F2	YN10-38001-YN10-41732	P-UB-1	80 mm		KOB-YN01V00112R100	221.73	
YN01V00119F3	YN10-38001-YN10-41732	P-UB-1	80 mm		KOB-YN01V00112R100	221.73		
MODEL SK200-8								
ARM	YN01V00175F1	YN11-45001-	P-UB-10	95 mm	135 mm	KOB-YN01V00175R300	630.92	
	YN01V00175F1	YN11-45001-	P-UB-1	95 mm		KOB-YN01V00175R100	189.14	
	YN01V00175F1	YN11-45001-	N-N-10		135 mm	KOB-YN01V00175R200	428.22	
	YN01V00175F2	YN11-45001-	P-UB-10	95 mm	135 mm	KOB-YN01V00175R300	630.92	
	YN01V00175F2	YN11-45001-	P-UB-1	95 mm		KOB-YN01V00175R100	189.14	
	YN01V00175F2	YN11-45001-	N-N-10		135 mm	KOB-YN01V00175R200	428.22	
	YN02B00486F1	YN12-56001-	P-UB-10	95 mm	135 mm	KOB-YN01V00175R300	630.92	
	YN02B00486F1	YN12-56001-	P-UB-1	95 mm		KOB-YN01V00175R100	189.14	
BOOM	YN02B00486F1	YN12-56001-	N-N-10		135 mm	KOB-YN01V00175R200	428.22	
	YN01V00151F1	YN11-45001-	P-UB-10	85 mm	120 mm	KOB-YN01V00151R300	688.43	
	YN01V00151F1	YN11-45001-	P-UB-1	85 mm		KOB-YN01V00151R100	184.41	
	YN01V00151F1	YN11-45001-	N-N-10		120 mm	KOB-YN01V00151R200	188.22	
	YN02B00405F1	YN12-56001-	P-UB-10	85 mm	120 mm	KOB-YN01V00151R700	495.43	
BUCKET	YN02B00405F1	YN12-56001-	P-UB-1	85 mm		KOB-YN01V00151R100	184.41	
	YN02B00405F1	YN12-56001-	N-N-10		120 mm	KOB-YN01V00151R600	190.11	
	YN01V00153F1	YN11-45001-	P-UB-10	80 mm	120 mm	KOB-YN01V00153R300	390.26	
	YN01V00153F1	YN11-45001-	P-UB-1	80 mm		KOB-YN01V00153R100	191.48	
	YN01V00153F1	YN11-45001-	N-N-10		120 mm	KOB-YN01V00151R200	188.22	
	YN01V00153F2	YN11-45001-	P-UB-10	80 mm	120 mm	KOB-YN01V00153R300	390.26	
	YN01V00153F2	YN11-45001-	P-UB-1	80 mm		KOB-YN01V00153R100	191.48	
	YN01V00153F2	YN11-45001-	N-N-10		120 mm	KOB-YN01V00151R200	188.22	
	YN12B00969F1	YN12-56001-	P-UB-10	80 mm	120 mm	KOB-YN01V00153R300	390.26	
	YN12B00969F1	YN12-56001-	P-UB-1	80 mm		KOB-YN01V00153R100	191.48	
YN12B00969F1	YN12-56001-	N-N-10		120 mm	KOB-YN01V00151R200	188.22		
MODEL SK200LC								
ARM	2438U1104F1	YQU0701-	P-UB-10	100 mm	145 mm	KOB-2438U1104R500	714.14	
	2438U1104F1	YQU0701-	P-UB-1	100 mm		KOB-2438U1104R400	220.31	
	2438U1104F1	YQU0701-	N-N-10		145 mm	KOB-2438U1104R200	493.83	
	2438U1108F1	YQU0701-	P-UB-14	100 mm	145 mm	KOB-2438U1108R300	618.83	
	2438U1108F1	YQU0701-	P-UB-1	100 mm		KOB-2438U1108R100	272.99	
	2438U1108F1	YQU0701-	N-N-14		145 mm	KOB-2438U1108R200	313.70	
BOOM LH	2438U1103F1	YQU0701-	P-UB-10	85 mm	125 mm	KOB-2438U1102R500	523.67	
	2438U1103F1	YQU0701-	P-UB-1	85 mm		KOB-2438U1102R600	189.75	
	2438U1103F1	YQU0701-	N-N-10		125 mm	KOB-2438U1102R200	333.95	
	2438U1107F1	YQU0701-	P-UB-10	85 mm	125 mm	KOB-2438U1106R300	676.32	
	2438U1107F1	YQU0701-	P-UB-1	85 mm		KOB-2438U1106R100	250.24	
	2438U1107F1	YQU0701-	N-N-10		125 mm	KOB-2438U1106R200	426.05	
BOOM RH	2438U1102F1	YQU0701-	P-UB-10	85 mm	125 mm	KOB-2438U1102R500	523.67	
	2438U1102F1	YQU0701-	P-UB-1	85 mm		KOB-2438U1102R600	189.75	
	2438U1102F1	YQU0701-	N-N-10		125 mm	KOB-2438U1102R200	333.95	
	2438U1106F1	YQU0701-	P-UB-10	85 mm	125 mm	KOB-2438U1106R300	676.32	
	2438U1106F1	YQU0701-	P-UB-1	85 mm		KOB-2438U1106R100	250.24	
	2438U1106F1	YQU0701-	N-N-10		125 mm	KOB-2438U1106R200	426.05	
BUCKET	2438U1105F1	YQU0701-	P-UB-10	80 mm	120 mm	KOB-2438U1105R500	387.06	
	2438U1105F1	YQU0701-	P-UB-1	80 mm		KOB-2438U1105R400	178.77	
	2438U1105F1	YQU0701-	N-N-10		120 mm	KOB-2438U1105R200	234.85	

KOBELCO

Replacement Kits For

KOBELCO

Excavators								
APPLICATION	CYL #	SERIAL #	CODE	ROD	BORE	KIT #	List \$	
MODEL SK200LC								
BUCKET	2438U1109F1	YQU0701-	P-UB-10	80 mm	120 mm	KOB-2438U1109R300	496.27	
	2438U1109F1	YQU0701-	P-UB-1	80 mm		KOB-2438U1109R200	244.53	
	2438U1109F1	YQU0701-	N-N-10		120 mm	KOB-2438U1109R100	253.94	
MODEL SK200LC III								
ARM	2438U1104F1		P-UB-10	100 mm	145 mm	KOB-2438U1104R300	654.20	
	2438U1104F1		P-UB-1	100 mm		KOB-2438U1104R400	220.31	
	2438U1104F1		N-N-10		145 mm	KOB-2438U1104R200	493.83	
	2438U1104F1		Bushing	100 mm		KOB-2438U1104S4	74.83	
	2438U1108F1		P-UB-14	100 mm	145 mm	KOB-2438U1108R300	618.83	
	2438U1108F1		P-UB-1	100 mm		KOB-2438U1108R100	272.99	
	2438U1108F1		N-N-14		145 mm	KOB-2438U1108R200	313.70	
	2438U1129F1		P-UB-10	120 mm	180 mm	KOB-2438U1129R300	706.70	
	2438U1129F1		P-UB-1	120 mm		KOB-2438U1129R100	256.98	
BOOM LH	2438U1103F1		N-N-10		180 mm	KOB-2445R174R200	449.69	
	2438U1103F1		P-UB-10	85 mm	125 mm	KOB-2438U1102R300	523.67	
	2438U1103F1		P-UB-1	85 mm		KOB-2438U1102R600	189.75	
	2438U1103F1		N-N-10		125 mm	KOB-2438U1102R200	333.95	
	2438U1107F1		P-UB-10	85 mm	125 mm	KOB-2438U1106R300	676.32	
	2438U1107F1		P-UB-1	85 mm		KOB-2438U1106R100	250.24	
BOOM RH	2438U1107F1		N-N-10		125 mm	KOB-2438U1106R200	426.05	
	2438U1102F1		P-UB-10	85 mm	125 mm	KOB-2438U1102R300	523.67	
	2438U1102F1		P-UB-1	85 mm		KOB-2438U1102R600	189.75	
	2438U1102F1		N-N-10		125 mm	KOB-2438U1102R200	333.95	
	2438U1106F1		P-UB-10	85 mm	125 mm	KOB-2438U1106R300	676.32	
	2438U1106F1		P-UB-1	85 mm		KOB-2438U1106R100	250.24	
BUCKET	2438U1106F1		N-N-10		125 mm	KOB-2438U1106R200	426.05	
	2438U1097F1		P-UB-10	65 mm	95 mm	KOB-2438U1097R300	508.41	
	2438U1097F1		P-UB-1	65 mm		KOB-2438U1097R100	199.48	
	2438U1097F1		N-N-10		95 mm	KOB-2438U1097R200	308.95	
	2438U1097F2		P-UB-10	65 mm	95 mm	KOB-2438U1097R300	508.41	
	2438U1097F2		P-UB-1	65 mm		KOB-2438U1097R100	199.48	
	2438U1097F2		N-N-10		95 mm	KOB-2438U1097R200	308.95	
	2438U1105F1		P-UB-1	80 mm		KOB-2438U1105R400	178.77	
	2438U1105F1		N-N-10		120 mm	KOB-2438U1105R200	234.85	
	2438U1109F1		P-UB-10	80 mm	120 mm	KOB-2438U1109R300	496.27	
	2438U1109F1		N-N-10		120 mm	KOB-2438U1109R100	253.94	
	2438U1109F1		P-UB-1	80 mm		KOB-2438U1109R200	244.53	
	TELESCOPIC	2438U1130F1		P-UB-1	60 mm		KOB-2438U705R100	142.99
		2438U1130F2		P-UB-1	60 mm		KOB-2438U705R100	142.99
MODEL SK200LC IV								
ARM	2438U1104F1	YQU2001-YQU3000	P-UB-10	100 mm	145 mm	KOB-2438U1104R300	654.20	
	2438U1104F1	YQU2001-YQU3000	P-UB-1	100 mm		KOB-2438U1104R400	220.31	
	2438U1104F1	YQU2001-YQU3000	N-N-10		145 mm	KOB-2438U1104R200	493.83	
	2438U1104F1	YQU2001-YQU3000	Bushing	100 mm		KOB-2438U1104S4	74.83	
	2438U1104F1	YQU3101-	P-UB-10	100 mm	145 mm	KOB-2438U1104R500	714.14	
	2438U1104F1	YQU3101-	P-UB-1	100 mm		KOB-2438U1104R400	220.31	
	2438U1104F1	YQU3101-	N-N-10		145 mm	KOB-2438U1104R200	493.83	
	2438U1104F1	YQU3101-	Bushing	100 mm		KOB-2438U1104S4	74.83	
BOOM LH	2438U1103F1	YQU2001-YQU3000	P-UB-10	85 mm	125 mm	KOB-2438U1102R300	523.67	
	2438U1103F1	YQU2001-YQU3000	P-UB-1	85 mm		KOB-2438U1102R600	189.75	
	2438U1103F1	YQU2001-YQU3000	N-N-10		125 mm	KOB-2438U1102R200	333.95	
	2438U1103F1	YQU3101-	P-UB-10	85 mm	125 mm	KOB-2438U1102R500	523.67	
	2438U1103F1	YQU3101-	P-UB-1	85 mm		KOB-2438U1102R600	189.75	
	2438U1103F1	YQU3101-	N-N-10		125 mm	KOB-2438U1102R200	333.95	
BOOM RH	2438U1102F1	YQU2001-YQU3000	P-UB-10	85 mm	125 mm	KOB-2438U1102R300	523.67	

Replacement Kits For

KOBELCO

Excavators									
APPLICATION	CYL #	SERIAL #	CODE	ROD	BORE	KIT #	List \$		
MODEL SK200LC IV									
BOOM RH	2438U1102F1	YQU2001-YQU3000	P-UB-1	85 mm		KOB-2438U1102R600	189.75		
	2438U1102F1	YQU2001-YQU3000	N-N-10		125 mm	KOB-2438U1102R200	333.95		
	2438U1102F1	YQU3101-	P-UB-10	85 mm	125 mm	KOB-2438U1102R300	523.67		
	2438U1102F1	YQU3101-	P-UB-1	85 mm		KOB-2438U1102R600	189.75		
	2438U1102F1	YQU3101-	N-N-10		125 mm	KOB-2438U1102R200	333.95		
BUCKET	2438U1105F1	YQU3101-	P-UB-10	80 mm	120 mm	KOB-2438U1105R500	387.06		
	2438U1105F1	YQU3101-	P-UB-1	80 mm		KOB-2438U1105R400	178.77		
	2438U1105F1	YQU3101-	N-N-10		120 mm	KOB-2438U1105R200	234.85		
BUCKET Long Reach	2438U1097F2	YQU3101-	P-UB-1	65 mm		KOB-2438U1097R100	199.48		
	2438U1097F2	YQU3101-	N-N-10		95 mm	KOB-2438U1097R200	308.95		
MODEL SK200LC V									
ARM	YN01V00003F1	YQ002301-YQ002645	P-UB-14	95 mm	135 mm	KOB-YN01V00003R300	482.76		
	YN01V00003F1	YQ002301-YQ002645	P-UB-1	95 mm		KOB-YN01V00003R100	96.60		
	YN01V00003F1	YQ002301-YQ002645	N-N-14		135 mm	KOB-YN01V00019R100	386.16		
	YN01V00003F1	YQ02801-	P-UB-14	95 mm	135 mm	KOB-YN01V00003R300	482.76		
	YN01V00003F1	YQ02801-	P-UB-1	95 mm		KOB-YN01V00003R100	96.60		
	YN01V00003F1	YQ02801-	N-N-14		135 mm	KOB-YN01V00019R100	386.16		
	YN01V00003F3	YQ002301-YQ002645	P-UB-14	95 mm	135 mm	KOB-YN01V00003R300	482.76		
	YN01V00003F3	YQ002301-YQ002645	P-UB-1	95 mm		KOB-YN01V00003R100	96.60		
	YN01V00003F3	YQ002301-YQ002645	N-N-14		135 mm	KOB-YN01V00019R100	386.16		
	YN01V00003F3	YQ02801-	P-UB-14	95 mm	135 mm	KOB-YN01V00003R300	482.76		
	YN01V00003F3	YQ02801-	P-UB-1	95 mm		KOB-YN01V00003R100	96.60		
	YN01V00003F3	YQ02801-	N-N-14		135 mm	KOB-YN01V00019R100	386.16		
	YN01V00019F1	YQ02801-	P-UB-14	95 mm	135 mm	KOB-YN01V00019R200	482.76		
	YN01V00019F1	YQ02801-	P-UB-1	95 mm		KOB-YN01V00003R100	96.60		
	YN01V00019F1	YQ02801-	N-N-14		135 mm	KOB-YN01V00019R100	386.16		
	YN01V00019F1	YQT00001-	P-UB-14	95 mm	135 mm	KOB-YN01V00019R200	482.76		
	YN01V00019F1	YQT00001-	P-UB-1	95 mm		KOB-YN01V00003R100	96.60		
	YN01V00019F1	YQT00001-	N-N-14		135 mm	KOB-YN01V00019R100	386.16		
	YN01V00019F2	YQ02801-	P-UB-14	95 mm	135 mm	KOB-YN01V00019R200	482.76		
	YN01V00019F2	YQ02801-	P-UB-1	95 mm		KOB-YN01V00003R100	96.60		
	YN01V00019F2	YQ02801-	N-N-14		135 mm	KOB-YN01V00019R100	386.16		
	YN01V00019F2	YQT00001-	P-UB-14	95 mm	135 mm	KOB-YN01V00019R200	482.76		
	YN01V00019F2	YQT00001-	P-UB-1	95 mm		KOB-YN01V00003R100	96.60		
	YN01V00019F2	YQT00001-	N-N-14		135 mm	KOB-YN01V00019R100	386.16		
	BOOM LH	YN01V00002F1	YQ002301-YQ002645	P-UB-14	80 mm	120 mm	KOB-YN01V00001R300	302.15	
		YN01V00002F1	YQ002301-YQ002645	P-UB-1	80 mm		KOB-YN01V00001R100	143.82	
		YN01V00002F1	YQ002301-YQ002645	N-N-14		120 mm	KOB-YN01V00001R200	158.33	
		YN01V00002F1	YQ02801-	P-UB-14	80 mm	120 mm	KOB-YN01V00001R300	302.15	
		YN01V00002F1	YQ02801-	P-UB-1	80 mm		KOB-YN01V00001R100	143.82	
		YN01V00002F1	YQ02801-	N-N-14		120 mm	KOB-YN01V00001R200	158.33	
		YN01V00002F1	YQT00001-	P-UB-14	80 mm	120 mm	KOB-YN01V00001R300	302.15	
		YN01V00002F1	YQT00001-	P-UB-1	80 mm		KOB-YN01V00001R100	143.82	
		YN01V00002F1	YQT00001-	N-N-14		120 mm	KOB-YN01V00001R200	158.33	
YN01V00002F2		YQ002301-YQ002645	P-UB-14	80 mm	120 mm	KOB-YN01V00001R300	302.15		
YN01V00002F2		YQ002301-YQ002645	P-UB-1	80 mm		KOB-YN01V00001R100	143.82		
YN01V00002F2		YQ002301-YQ002645	N-N-14		120 mm	KOB-YN01V00001R200	158.33		
YN01V00002F2		YQ02801-	P-UB-14	80 mm	120 mm	KOB-YN01V00001R300	302.15		
YN01V00002F2		YQ02801-	P-UB-1	80 mm		KOB-YN01V00001R100	143.82		
YN01V00002F2		YQ02801-	N-N-14		120 mm	KOB-YN01V00001R200	158.33		
YN01V00002F2		YQT00001-	P-UB-14	80 mm	120 mm	KOB-YN01V00001R300	302.15		
YN01V00002F2		YQT00001-	P-UB-1	80 mm		KOB-YN01V00001R100	143.82		
YN01V00002F2		YQT00001-	N-N-14		120 mm	KOB-YN01V00001R200	158.33		
BOOM RH		YN01V00001F1	YQ002301-YQ002645	P-UB-14	80 mm	120 mm	KOB-YN01V00001R300	302.15	

KOBELCO

Replacement Kits For

KOBELCO

KOBELCO

Excavators								
APPLICATION	CYL #	SERIAL #	CODE	ROD	BORE	KIT #	List \$	
MODEL SK200LC V								
BOOM RH	YN01V00001F1	YQ002301-YQ002645	P-UB-1	80 mm		KOB-YN01V00001R100	143.82	
	YN01V00001F1	YQ002301-YQ002645	N-N-14		120 mm	KOB-YN01V00001R200	158.33	
	YN01V00001F1	YQ02801-	P-UB-14	80 mm	120 mm	KOB-YN01V00001R300	302.15	
	YN01V00001F1	YQ02801-	P-UB-1	80 mm		KOB-YN01V00001R100	143.82	
	YN01V00001F1	YQ02801-	N-N-14		120 mm	KOB-YN01V00001R200	158.33	
	YN01V00001F1	YQT00001-	P-UB-14	80 mm	120 mm	KOB-YN01V00001R300	302.15	
	YN01V00001F1	YQT00001-	P-UB-1	80 mm		KOB-YN01V00001R100	143.82	
	YN01V00001F1	YQT00001-	N-N-14		120 mm	KOB-YN01V00001R200	158.33	
	YN01V00001F2	YQ002301-YQ002645	P-UB-14	80 mm	120 mm	KOB-YN01V00001R300	302.15	
	YN01V00001F2	YQ002301-YQ002645	P-UB-1	80 mm		KOB-YN01V00001R100	143.82	
	YN01V00001F2	YQ002301-YQ002645	N-N-14		120 mm	KOB-YN01V00001R200	158.33	
	YN01V00001F2	YQ02801-	P-UB-14	80 mm	120 mm	KOB-YN01V00001R300	302.15	
	YN01V00001F2	YQ02801-	P-UB-1	80 mm		KOB-YN01V00001R100	143.82	
	YN01V00001F2	YQ02801-	N-N-14		120 mm	KOB-YN01V00001R200	158.33	
	YN01V00001F2	YQT00001-	P-UB-14	80 mm	120 mm	KOB-YN01V00001R300	302.15	
	YN01V00001F2	YQT00001-	P-UB-1	80 mm		KOB-YN01V00001R100	143.82	
	YN01V00001F2	YQT00001-	N-N-14		120 mm	KOB-YN01V00001R200	158.33	
	BUCKET	YN01V00004F1	YQ002301-YQ002645	P-UB-14	75 mm	115 mm	KOB-YN01V00004R300	232.27
		YN01V00004F1	YQ002301-YQ002645	P-UB-1	75 mm		KOB-YN01V00004R100	91.06
		YN01V00004F1	YQ002301-YQ002645	N-N-14		115 mm	KOB-YN01V00004R200	141.21
YN01V00004F1		YQ02801-	P-UB-14	75 mm	115 mm	KOB-YN01V00004R300	232.27	
YN01V00004F1		YQ02801-	P-UB-1	75 mm		KOB-YN01V00004R100	91.06	
YN01V00004F1		YQ02801-	N-N-14		115 mm	KOB-YN01V00004R200	141.21	
YN01V00004F1		YQT00001-	P-UB-14	75 mm	115 mm	KOB-YN01V00004R300	232.27	
YN01V00004F1		YQT00001-	P-UB-1	75 mm		KOB-YN01V00004R100	91.06	
YN01V00004F1		YQT00001-	N-N-14		115 mm	KOB-YN01V00004R200	141.21	
YN01V00004F2		YQ02801-	P-UB-14	75 mm	115 mm	KOB-YN01V00004R300	232.27	
YN01V00004F2		YQ02801-	P-UB-1	75 mm		KOB-YN01V00004R100	91.06	
YN01V00004F2		YQ02801-	N-N-14		115 mm	KOB-YN01V00004R200	141.21	
YN01V00004F2		YQT00001-	P-UB-14	75 mm	115 mm	KOB-YN01V00004R300	232.27	
YN01V00004F2		YQT00001-	P-UB-1	75 mm		KOB-YN01V00004R100	91.06	
YN01V00004F2		YQT00001-	N-N-14		115 mm	KOB-YN01V00004R200	141.21	
BUCKET Long Range		LP01V00005F1	YQ002301-YQ002645	N-N-14		95 mm	KOB-YW01V00003R200	132.97
		LP01V00005F1	YQ02801-	N-N-14		95 mm	KOB-YW01V00003R200	132.97
		LP01V00005F1	YQT00001-	N-N-14		95 mm	KOB-YW01V00003R200	132.97
		LP01V00005F2	YQ002301-YQ002645	N-N-14		95 mm	KOB-YW01V00003R200	132.97
		LP01V00005F2	YQ02801-	N-N-14		95 mm	KOB-YW01V00003R200	132.97
	LP01V00005F2	YQT00001-	N-N-14		95 mm	KOB-YW01V00003R200	132.97	
	LP01V00005F3	YQ002301-YQ002645	N-N-14		95 mm	KOB-YW01V00003R200	132.97	
	LP01V00005F3	YQ02801-	N-N-14		95 mm	KOB-YW01V00003R200	132.97	
	LP01V00005F3	YQT00001-	N-N-14		95 mm	KOB-YW01V00003R200	132.97	
	YW01V00003F1	YQ002301-YQ002645	N-N-14		95 mm	KOB-YW01V00003R200	132.97	
	MODEL SK200LC-6							
ARM	YN01V00039F1	YQ03501-	P-UB-14	95 mm	135 mm	KOB-YN01V00039R300	394.17	
	YN01V00039F1	YQ03501-	P-UB-1	95 mm		KOB-YN01V00039R100	96.60	
	YN01V00039F1	YQ03501-	N-N-14		135 mm	KOB-YN01V00039R200	297.60	
ARM HD, Dismantle	YN01V00078F1	YQ03501-	P-UB-14	95 mm	135 mm	KOB-YN01V00078R300	394.17	
	YN01V00078F1	YQ03501-	P-UB-1	95 mm		KOB-YN01V00078R100	96.60	
	YN01V00078F1	YQ03501-	N-N-14		135 mm	KOB-YN01V00078R200	297.60	
BOOM LH	YN01V00038F1	YQ03501-	P-UB-14	85 mm	125 mm	KOB-YN01V00052R300	323.42	
	YN01V00038F1	YQ03501-	P-UB-1	85 mm		KOB-YN01V00052R100	91.06	
	YN01V00038F1	YQ03501-	N-N-14		125 mm	KOB-YN01V00052R200	232.38	
BOOM RH	YN01V00037F1	YQ03501-	P-UB-14	85 mm	125 mm	KOB-YN01V00052R300	323.42	

KOBELCO

Replacement Kits For

Excavators							
APPLICATION	CYL #	SERIAL #	CODE	ROD	BORE	KIT #	List \$
MODEL SK200LC-6							
BOOM RH	YN01V00037F1	YQ03501-	P-UB-1	85 mm		KOB-YN01V00052R100	91.06
	YN01V00037F1	YQ03501-	N-N-14		125 mm	KOB-YN01V00052R200	232.38
BUCKET	YN01V00068F1	YQ03501-	P-UB-14	80 mm	115 mm	KOB-YN01V00068R300	188.76
	YN01V00068F1	YQ03501-	P-UB-1	80 mm		KOB-YN01V00068R100	91.35
	YN01V00068F1	YQ03501-	N-N-14		115 mm	KOB-YN01V00068R200	97.42
BUCKET HD, Dismantle	YN01V00077F1	YQ03501-	P-UB-14	80 mm	115 mm	KOB-YN01V00077R300	188.76
	YN01V00077F1	YQ03501-	P-UB-1	80 mm		KOB-YN01V00068R100	91.35
	YN01V00077F1	YQ03501-	N-N-14		115 mm	KOB-YN01V00068R200	97.42
MODEL SK210 IV							
ARM	2438U1104F1	YNU0501-	P-UB-10	100 mm	145 mm	KOB-2438U1104R500	714.14
	2438U1104F1	YNU0501-	P-UB-1	100 mm		KOB-2438U1104R400	220.31
	2438U1104F1	YNU0501-	N-N-10		145 mm	KOB-2438U1104R200	493.83
	2438U1104F1	YNU0501-	Bushing	100 mm		KOB-2438U1104S4	74.83
BOOM LH	2438U1103F1	YNU0501-	P-UB-10	85 mm	125 mm	KOB-2438U1102R500	523.67
	2438U1103F1	YNU0501-	P-UB-1	85 mm		KOB-2438U1102R600	189.75
	2438U1103F1	YNU0501-	N-N-10		125 mm	KOB-2438U1102R200	333.95
BOOM RH	2438U1102F1	YNU0501-	P-UB-10	85 mm	125 mm	KOB-2438U1102R300	523.67
	2438U1102F1	YNU0501-	P-UB-1	85 mm		KOB-2438U1102R600	189.75
	2438U1102F1	YNU0501-	N-N-10		125 mm	KOB-2438U1102R200	333.95
BUCKET	2438U1105F1	YNU0501-	P-UB-10	80 mm	120 mm	KOB-2438U1105R500	387.06
	2438U1105F1	YNU0501-	P-UB-1	80 mm		KOB-2438U1105R400	178.77
	2438U1105F1	YNU0501-	N-N-10		120 mm	KOB-2438U1105R200	234.85
BUCKET Long Reach	2438U1097F2	YNU0501-	P-UB-1	65 mm		KOB-2438U1097R100	199.48
	2438U1097F2	YNU0501-	N-N-10		95 mm	KOB-2438U1097R200	308.95
MODEL SK210LC							
ARM	2438U1104F1	YQU3101-	P-UB-10	100 mm	145 mm	KOB-2438U1104R500	714.14
	2438U1104F1	YQU3101-	P-UB-1	100 mm		KOB-2438U1104R400	220.31
	2438U1104F1	YQU3101-	N-N-10		145 mm	KOB-2438U1104R200	493.83
	2438U1104F1	YQU3101-	Bushing	100 mm		KOB-2438U1104S4	74.83
	YN01V00039F1	YQ07U0101-	P-UB-14	95 mm	135 mm	KOB-YN01V00039R300	394.17
	YN01V00039F1	YQ07U0101-	P-UB-1	95 mm		KOB-YN01V00039R100	96.60
	YN01V00039F1	YQ07U0101-	N-N-14		135 mm	KOB-YN01V00039R200	297.60
	BOOM LH	2438U1103F1	YQU3101-	P-UB-10	85 mm	125 mm	KOB-2438U1102R500
2438U1103F1		YQU3101-	P-UB-1	85 mm		KOB-2438U1102R600	189.75
2438U1103F1		YQU3101-	N-N-10		125 mm	KOB-2438U1102R200	333.95
YN01V00038F1		YQ07U0101-	P-UB-14	85 mm	125 mm	KOB-YN01V00052R300	323.42
YN01V00038F1		YQ07U0101-	P-UB-1	85 mm		KOB-YN01V00052R100	91.06
YN01V00038F1		YQ07U0101-	N-N-14		125 mm	KOB-YN01V00052R200	232.38
BOOM RH	2438U1102F1	YQU3101-	P-UB-10	85 mm	125 mm	KOB-2438U1102R300	523.67
	2438U1102F1	YQU3101-	P-UB-1	85 mm		KOB-2438U1102R600	189.75
	2438U1102F1	YQU3101-	N-N-10		125 mm	KOB-2438U1102R200	333.95
	YN01V00037F1	YQ07U0101-	P-UB-14	85 mm	125 mm	KOB-YN01V00052R300	323.42
	YN01V00037F1	YQ07U0101-	P-UB-1	85 mm		KOB-YN01V00052R100	91.06
	YN01V00037F1	YQ07U0101-	N-N-14		125 mm	KOB-YN01V00052R200	232.38
BUCKET	2438U1105F1	YQU3101-	P-UB-10	80 mm	120 mm	KOB-2438U1105R500	387.06
	2438U1105F1	YQU3101-	P-UB-1	80 mm		KOB-2438U1105R400	178.77
	2438U1105F1	YQU3101-	N-N-10		120 mm	KOB-2438U1105R200	234.85
	YN01V00068F1	YQ07U0101-	P-UB-14	80 mm	115 mm	KOB-YN01V00068R300	188.76
	YN01V00068F1	YQ07U0101-	P-UB-1	80 mm		KOB-YN01V00068R100	91.35
	YN01V00068F1	YQ07U0101-	N-N-14		115 mm	KOB-YN01V00068R200	97.42
	YX01V00005F2	YQ07U0101-	P-UB-14	65 mm	95 mm	KOB-YX01V00005R300	159.85
	YX01V00005F2	YQ07U0101-	P-UB-1	65 mm		KOB-YX01V00005R100	115.70
YX01V00005F2	YQ07U0101-	N-N-14		95 mm	KOB-YX01V00005R200	132.97	

KOBELCO

Replacement Kits For

KOBELCO

Excavators

APPLICATION	CYL #	SERIAL #	CODE	ROD	BORE	KIT #	List \$	
MODEL SK210LC								
BUCKET Long Reach	2438U1097F2	YQU3101-	P-UB-1	65 mm		KOB-2438U1097R100	199.48	
	2438U1097F2	YQU3101-	N-N-10		95 mm	KOB-2438U1097R200	308.95	
MODEL SK210LC-6E								
ARM	YN01V00105F2	YQ08U0969-	P-UB-10	95 mm	135 mm	KOB-YN01V00105R900	610.86	
	YN01V00105F2	YQ08U0969-	P-UB-1	95 mm		KOB-YN01V00105R100	220.96	
	YN01V00105F2	YQ08U0969-	N-N-10		135 mm	KOB-YN01V00105R800	389.90	
	YN01V00132F1	YQ08U0969-	P-UB-10	95 mm	135 mm	KOB-YN01V00105R900	610.86	
	YN01V00132F1	YQ08U0969-	P-UB-1	95 mm		KOB-YN01V00105R100	220.96	
	YN01V00132F1	YQ08U0969-	N-N-10		135 mm	KOB-YN01V00105R800	389.90	
	YN01V00132F4	YQ08U0969-	P-UB-10	95 mm	135 mm	KOB-YN01V00105R900	610.86	
	YN01V00132F4	YQ08U0969-	P-UB-1	95 mm		KOB-YN01V00105R100	220.96	
	YN01V00132F4	YQ08U0969-	N-N-10		135 mm	KOB-YN01V00105R800	389.90	
BOOM LH	YN01V00104F2	YQ08U0969-	P-UB-10	85 mm	125 mm	KOB-YN01V00103R300	492.95	
	YN01V00104F2	YQ08U0969-	P-UB-1	85 mm		KOB-YN01V00103R100	189.23	
	YN01V00104F2	YQ08U0969-	N-N-10		125 mm	KOB-YN01V00103R200	303.74	
BOOM RH	YN01V00103F2	YQ08U0969-	P-UB-10	85 mm	125 mm	KOB-YN01V00103R300	492.95	
	YN01V00103F2	YQ08U0969-	P-UB-1	85 mm		KOB-YN01V00103R100	189.23	
	YN01V00103F2	YQ08U0969-	N-N-10		125 mm	KOB-YN01V00103R200	303.74	
BUCKET	YN01V00112F5	YQ08U0969-	P-UB-10	80 mm	120 mm	KOB-YN01V00112R900	605.23	
	YN01V00112F5	YQ08U0969-	P-UB-1	80 mm		KOB-YN01V00112R100	221.73	
	YN01V00112F5	YQ08U0969-	N-N-10		120 mm	KOB-YN01V00112R800	377.97	
BUCKET Long Range	YX01V00005F4	YQ08U0969-	P-UB-14	65 mm	95 mm	KOB-YX01V00005R300	159.85	
	YX01V00005F4	YQ08U0969-	P-UB-1	65 mm		KOB-YX01V00005R100	115.70	
	YX01V00005F4	YQ08U0969-	N-N-14		95 mm	KOB-YX01V00005R200	132.97	
MODEL SK210LC-8								
ARM	YN01V00172F1	YQ09U3301-	P-UB-10	95 mm	135 mm	KOB-YN01V00175R300	630.92	
	YN01V00172F1	YQ09U3301-	P-UB-1	95 mm		KOB-YN01V00175R100	189.14	
	YN01V00172F1	YQ09U3301-	N-N-10		135 mm	KOB-YN01V00175R200	428.22	
	YN01V00175F1	YQ09U3301-	P-UB-10	95 mm	135 mm	KOB-YN01V00175R300	630.92	
	YN01V00175F1	YQ09U3301-	P-UB-1	95 mm		KOB-YN01V00175R100	189.14	
	YN01V00175F1	YQ09U3301-	N-N-10		135 mm	KOB-YN01V00175R200	428.22	
	YN01V00175F1	YQ11-C6001-	P-UB-10	95 mm	135 mm	KOB-YN01V00175R300	630.92	
	YN01V00175F1	YQ11-C6001-	P-UB-1	95 mm		KOB-YN01V00175R100	189.14	
	YN01V00175F1	YQ11-C6001-	N-N-10		135 mm	KOB-YN01V00175R200	428.22	
	YN01V00175F2	YQ11-C6001-	P-UB-10	95 mm	135 mm	KOB-YN01V00175R300	630.92	
	YN01V00175F2	YQ11-C6001-	P-UB-1	95 mm		KOB-YN01V00175R100	189.14	
	YN01V00175F2	YQ11-C6001-	N-N-10		135 mm	KOB-YN01V00175R200	428.22	
	YN02B00486F1	YQ12-08001-	P-UB-10	95 mm	135 mm	KOB-YN01V00175R300	630.92	
	YN02B00486F1	YQ12-08001-	P-UB-1	95 mm		KOB-YN01V00175R100	189.14	
	YN02B00486F1	YQ12-08001-	N-N-10		135 mm	KOB-YN01V00175R200	428.22	
	BOOM	YN01V00151F1	YQ09U3301-	P-UB-10	85 mm	120 mm	KOB-YN01V00151R300	688.43
		YN01V00151F1	YQ09U3301-	P-UB-1	85 mm		KOB-YN01V00151R100	184.41
		YN01V00151F1	YQ09U3301-	N-N-10		120 mm	KOB-YN01V00151R600	190.11
		YN01V00151F1	YQ11-C6001-	P-UB-10	85 mm	120 mm	KOB-YN01V00151R300	688.43
YN01V00151F1		YQ11-C6001-	P-UB-1	85 mm		KOB-YN01V00151R100	184.41	
YN01V00151F1		YQ11-C6001-	N-N-10		120 mm	KOB-YN01V00151R200	188.22	
YN02B00405F1		YQ12-08001-	P-UB-10	85 mm	120 mm	KOB-YN01V00151R700	495.43	
YN02B00405F1		YQ12-08001-	P-UB-1	85 mm		KOB-YN01V00151R100	184.41	
YN02B00405F1		YQ12-08001-	N-N-10		120 mm	KOB-YN01V00151R600	190.11	
BUCKET	YN01V00153F1	YQ09U3301-	P-UB-10	80 mm	120 mm	KOB-YN01V00153R300	390.26	
	YN01V00153F1	YQ09U3301-	P-UB-1	80 mm		KOB-YN01V00153R100	191.48	
	YN01V00153F1	YQ09U3301-	N-N-10		120 mm	KOB-YN01V00151R600	190.11	
	YN01V00153F1	YQ11-C6001-	P-UB-10	80 mm	120 mm	KOB-YN01V00153R300	390.26	

Replacement Kits For

KOBELCO

Excavators								
APPLICATION	CYL #	SERIAL #	CODE	ROD	BORE	KIT #	List \$	
MODEL SK210LC-8								
BUCKET	YN01V00153F1	YQ11-C6001-	P-UB-1	80 mm		KOB-YN01V00153R100	191.48	
	YN01V00153F1	YQ11-C6001-	N-N-10		120 mm	KOB-YN01V00151R200	188.22	
	YN01V00153F2	YQ11-C6001-	P-UB-10	80 mm	120 mm	KOB-YN01V00153R300	390.26	
	YN01V00153F2	YQ11-C6001-	P-UB-1	80 mm		KOB-YN01V00153R100	191.48	
	YN01V00153F2	YQ11-C6001-	N-N-10		120 mm	KOB-YN01V00151R200	188.22	
	YN12B00969F1	YQ12-08001-	P-UB-10	80 mm	120 mm	KOB-YN01V00153R300	390.26	
	YN12B00969F1	YQ12-08001-	P-UB-1	80 mm		KOB-YN01V00153R100	191.48	
	YN12B00969F1	YQ12-08001-	N-N-10		120 mm	KOB-YN01V00151R200	188.22	
BUCKET Long Reach	YX01V00005F6	YQ09U3301-	P-UB-14	65 mm	95 mm	KOB-YY01V00005R700	172.53	
	YX01V00005F6	YQ09U3301-	P-UB-1	65 mm		KOB-YY01V00005R600	135.39	
	YX01V00005F6	YQ09U3301-	N-N-14		95 mm	KOB-YX01V00005R200	132.97	
MODEL SK220 III, SK220LC III, SK220 IV, SK220LC IV								
ARM	2438U1137F1	LQU0001-, LLU0601-	P-UB-1	105 mm		KOB-2438U953R100	383.10	
	2438U1137F1	LQU0001-, LLU0601-	N-N-10		150 mm	KOB-2438U953R200	699.74	
BOOM LH	2438U1136F1	LQU0001-, LLU0601-	P-UB-10	90 mm	140 mm	KOB-2438U1135R300	540.07	
	2438U1136F1	LQU0001-, LLU0601-	P-UB-1	90 mm		KOB-2438U999R100	248.57	
	2438U1136F1	LQU0001-, LLU0601-	N-N-10		140 mm	KOB-2438U999R200	478.75	
BOOM RH	2438U1135F1	LQU0001-, LLU0601-	P-UB-10	90 mm	140 mm	KOB-2438U1135R300	540.07	
	2438U1135F1	LQU0001-, LLU0601-	P-UB-1	90 mm		KOB-2438U999R100	248.57	
	2438U1135F1	LQU0001-, LLU0601-	N-N-10		140 mm	KOB-2438U999R200	478.75	
BUCKET	2438U1097F1.F2	LQU0001-, LLU0601-	P-UB-10	65 mm	95 mm	KOB-2438U1097R300	508.41	
	2438U1097F1.F2	LQU0001-, LLU0601-	P-UB-1	65 mm		KOB-2438U1097R100	199.48	
	2438U1097F1.F2	LQU0001-, LLU0601-	N-N-10		95 mm	KOB-2438U1097R200	308.95	
	2438U1138F1	LQU0001-, LLU0601-	P-UB-1	85 mm		KOB-2438U959R100	201.04	
	2438U1138F1	LQU0001-, LLU0601-	N-N-10		130 mm	KOB-2438U959R200	450.13	
MODEL SK230-6E								
ARM	LQ01V00012F1	LQC-02001-	P-UB-10	100 mm	140 mm	KOB-LQ01V00007R300	415.76	
	LQ01V00012F1	LQC-02001-	P-UB-1	100 mm		KOB-LQ01V00007R100	169.43	
	LQ01V00012F1	LQC-02001-	N-N-10		140 mm	KOB-LQ01V00007R200	265.13	
	LQ01V00012F2	LQC-02001-	P-UB-10	100 mm	140 mm	KOB-LQ01V00007R300	415.76	
	LQ01V00012F2	LQC-02001-	P-UB-1	100 mm		KOB-LQ01V00007R100	169.43	
	LQ01V00012F2	LQC-02001-	N-N-10		140 mm	KOB-LQ01V00007R200	265.13	
	LQ01V00012F3	LQC-02001-	P-UB-10	100 mm	140 mm	KOB-LQ01V00007R300	415.76	
	LQ01V00012F3	LQC-02001-	P-UB-1	100 mm		KOB-LQ01V00007R100	169.43	
	LQ01V00012F3	LQC-02001-	N-N-10		140 mm	KOB-LQ01V00007R200	265.13	
	LQ01V00012F4	LQC-02001-	P-UB-10	100 mm	140 mm	KOB-LQ01V00007R300	415.76	
	LQ01V00012F4	LQC-02001-	P-UB-1	100 mm		KOB-LQ01V00007R100	169.43	
	LQ01V00012F4	LQC-02001-	N-N-10		140 mm	KOB-LQ01V00007R200	265.13	
	LQ01V00012F5	LQC-02001-	P-UB-10	100 mm	140 mm	KOB-LQ01V00007R300	415.76	
	LQ01V00012F5	LQC-02001-	P-UB-1	100 mm		KOB-LQ01V00007R100	169.43	
	LQ01V00012F5	LQC-02001-	N-N-10		140 mm	KOB-LQ01V00007R200	265.13	
	BOOM LH	LQ01V00011F1	LQC-02001-	P-UB-10	90 mm	135 mm	KOB-LQ01V00005R300	465.92
LQ01V00011F1		LQC-02001-	P-UB-1	90 mm		KOB-LQ01V00001R400	153.28	
LQ01V00011F1		LQC-02001-	N-N-10		135 mm	KOB-LQ01V00001R200	312.62	
LQ01V00011F2		LQC-02001-	P-UB-10	90 mm	135 mm	KOB-LQ01V00005R300	465.92	
LQ01V00011F2		LQC-02001-	P-UB-1	90 mm		KOB-LQ01V00001R400	153.28	
LQ01V00011F2		LQC-02001-	N-N-10		135 mm	KOB-LQ01V00001R200	312.62	
BOOM RH	LQ01V00010F1	LQC-02001-	P-UB-10	90 mm	135 mm	KOB-LQ01V00005R300	465.92	
	LQ01V00010F1	LQC-02001-	P-UB-1	90 mm		KOB-LQ01V00001R400	153.28	
	LQ01V00010F1	LQC-02001-	N-N-10		135 mm	KOB-LQ01V00001R200	312.62	
	LQ01V00010F2	LQC-02001-	P-UB-10	90 mm	135 mm	KOB-LQ01V00005R300	465.92	
	LQ01V00010F2	LQC-02001-	P-UB-1	90 mm		KOB-LQ01V00001R400	153.28	
BUCKET	LQ01V00010F2	LQC-02001-	N-N-10		135 mm	KOB-LQ01V00001R200	312.62	
	LQ01V00013F1	LQC-02001-	P-UB-10	90 mm	125 mm	KOB-YB01V00010R300	437.50	

KOBELCO

FORMERLY LISTED REPAIR PARTS ARE AVAILABLE ONLINE AT WWW.HERCULESUS.COM
OR BY CONTACTING YOUR REGIONAL HERCULES SALES TEAM.

KOBELCO

Replacement Kits For

Excavators								
APPLICATION	CYL #	SERIAL #	CODE	ROD	BORE	KIT #	List \$	
MODEL SK230-6E								
BUCKET	LQ01V00013F1	LQC-02001-	P-UB-1	90 mm		KOB-YB01V00010R100	168.06	
	LQ01V00013F1	LQC-02001-	N-N-10		125 mm	KOB-YM01V00008R200	269.44	
	LQ01V00013F2	LQC-02001-	P-UB-10	90 mm	125 mm	KOB-YB01V00010R300	437.50	
	LQ01V00013F2	LQC-02001-	P-UB-1	90 mm		KOB-YB01V00010R100	168.06	
	LQ01V00013F2	LQC-02001-	N-N-10		125 mm	KOB-YM01V00008R200	269.44	
	LQ01V00013F3	LQC-02001-	P-UB-10	90 mm	125 mm	KOB-YB01V00010R300	437.50	
	LQ01V00013F3	LQC-02001-	P-UB-1	90 mm		KOB-YB01V00010R100	168.06	
	LQ01V00013F3	LQC-02001-	N-N-10		125 mm	KOB-YM01V00008R200	269.44	
	LQ01V00013F4	LQC-02001-	P-UB-10	90 mm	125 mm	KOB-YB01V00010R300	437.50	
	LQ01V00013F4	LQC-02001-	P-UB-1	90 mm		KOB-YB01V00010R100	168.06	
	LQ01V00013F4	LQC-02001-	N-N-10		125 mm	KOB-YM01V00008R200	269.44	
	LQ01V00013F5	LQC-02001-	P-UB-10	90 mm	125 mm	KOB-YB01V00010R300	437.50	
	LQ01V00013F5	LQC-02001-	P-UB-1	90 mm		KOB-YB01V00010R100	168.06	
	LQ01V00013F5	LQC-02001-	N-N-10		125 mm	KOB-YM01V00008R200	269.44	
	MODEL SK235SR							
ARM	YN01V00039F1	YF01-00101-	P-UB-14	95 mm	135 mm	KOB-YN01V00039R300	394.17	
	YN01V00039F1	YF01-00101-	P-UB-1	95 mm		KOB-YN01V00003R100	96.60	
	YN01V00039F1	YF01-00101-	N-N-14		135 mm	KOB-YN01V00039R200	297.60	
	YN01V00105F1	YF01-00101-	P-UB-10	95 mm	135 mm	KOB-YN01V00105R300	610.86	
	YN01V00105F1	YF01-00101-	P-UB-1	95 mm		KOB-YN01V00105R100	220.96	
	YN01V00105F1	YF01-00101-	N-N-10		135 mm	KOB-YN01V00105R200	389.90	
	YN01V00105F2	YF01-00101-	P-UB-10	95 mm	135 mm	KOB-YN01V00105R300	610.86	
	YN01V00105F2	YF01-00101-	P-UB-1	95 mm		KOB-YN01V00105R100	220.96	
	YN01V00105F2	YF01-00101-	N-N-10		135 mm	KOB-YN01V00105R200	389.90	
	YN01V00105F3	YF01-00101-	P-UB-10	95 mm	135 mm	KOB-YN01V00105R300	610.86	
	YN01V00105F3	YF01-00101-	P-UB-1	95 mm		KOB-YN01V00105R100	220.96	
	YN01V00105F3	YF01-00101-	N-N-10		135 mm	KOB-YN01V00105R200	389.90	
	ARM HD, Dismantle	YN01V00078F1	YF01-00101-	P-UB-14	95 mm	135 mm	KOB-YN01V00039R300	394.17
	YN01V00078F1	YF01-00101-	P-UB-1	95 mm		KOB-YN01V00003R100	96.60	
	YN01V00078F1	YF01-00101-	N-N-14		135 mm	KOB-YN01V00039R200	297.60	
BOOM LH	YN01V00053F1	YF01-00101-	P-UB-14	85 mm	125 mm	KOB-YN01V00052R300	323.42	
	YN01V00053F1	YF01-00101-	P-UB-1	85 mm		KOB-YN01V00052R100	91.06	
	YN01V00053F1	YF01-00101-	N-N-14		125 mm	KOB-YN01V00052R200	232.38	
	YN01V00053F2	YF01-00101-	P-UB-14	85 mm	125 mm	KOB-YN01V00052R300	323.42	
	YN01V00053F2	YF01-00101-	P-UB-1	85 mm		KOB-YN01V00052R100	91.06	
	YN01V00053F2	YF01-00101-	N-N-14		125 mm	KOB-YN01V00052R200	232.38	
	YN01V00108F1	YF01-00101-	P-UB-10	85 mm	125 mm	KOB-YN01V00103R300	492.95	
	YN01V00108F1	YF01-00101-	P-UB-1	85 mm		KOB-YN01V00103R100	189.23	
	YN01V00108F1	YF01-00101-	N-N-10		125 mm	KOB-YN01V00103R200	303.74	
BOOM RH	YN01V00052F1	YF01-00101-	P-UB-14	85 mm	125 mm	KOB-YN01V00052R300	323.42	
	YN01V00052F1	YF01-00101-	P-UB-1	85 mm		KOB-YN01V00052R100	91.06	
	YN01V00052F1	YF01-00101-	N-N-14		125 mm	KOB-YN01V00052R200	232.38	
	YN01V00052F2	YF01-00101-	P-UB-14	85 mm	125 mm	KOB-YN01V00052R300	323.42	
	YN01V00052F2	YF01-00101-	P-UB-1	85 mm		KOB-YN01V00052R100	91.06	
	YN01V00052F2	YF01-00101-	N-N-14		125 mm	KOB-YN01V00052R200	232.38	
	YN01V00107F1	YF01-00101-	P-UB-10	85 mm	125 mm	KOB-YN01V00103R300	492.95	
	YN01V00107F1	YF01-00101-	P-UB-1	85 mm		KOB-YN01V00103R100	189.23	
	YN01V00107F1	YF01-00101-	N-N-10		125 mm	KOB-YN01V00103R200	303.74	
BUCKET	YN01V00068F1	YF01-00101-	P-UB-14	80 mm	115 mm	KOB-YN01V00068R300	188.76	
	YN01V00068F1	YF01-00101-	P-UB-1	80 mm		KOB-YN01V00068R100	91.35	
	YN01V00068F1	YF01-00101-	N-N-14		115 mm	KOB-YN01V00068R200	97.42	
	YN01V00106F1	YF01-00101-	P-UB-10	80 mm	115 mm	KOB-YN01V00106R300	435.69	
	YN01V00106F1	YF01-00101-	P-UB-1	80 mm		KOB-YN01V00106R100	185.31	
YN01V00106F1	YF01-00101-	N-N-10		115 mm	KOB-YN01V00106R200	250.41		

KOBELCO

Replacement Kits For

Excavators							
APPLICATION	CYL #	SERIAL #	CODE	ROD	BORE	KIT #	List \$
MODEL SK235SR							
BUCKET	YX01V00005F1	YF01-00101-	P-UB-14	65 mm	95 mm	KOB-YX01V00005R300	159.85
	YX01V00005F1	YF01-00101-	P-UB-1	65 mm		KOB-YX01V00005R100	115.70
	YX01V00005F1	YF01-00101-	N-N-14		95 mm	KOB-YX01V00005R200	132.97
	YX01V00005F2	YF01-00101-	P-UB-14	65 mm	95 mm	KOB-YX01V00005R300	159.85
	YX01V00005F2	YF01-00101-	P-UB-1	65 mm		KOB-YX01V00005R100	115.70
	YX01V00005F2	YF01-00101-	N-N-14		95 mm	KOB-YX01V00005R200	132.97
	YX01V00005F3	YF01-00101-	P-UB-14	65 mm	95 mm	KOB-YX01V00005R300	159.85
	YX01V00005F3	YF01-00101-	P-UB-1	65 mm		KOB-YX01V00005R100	115.70
	YX01V00005F3	YF01-00101-	N-N-14		95 mm	KOB-YX01V00005R200	132.97
	YX01V00005F4	YF01-00101-	P-UB-14	65 mm	95 mm	KOB-YX01V00005R300	159.85
	YX01V00005F4	YF01-00101-	P-UB-1	65 mm		KOB-YX01V00005R100	115.70
	YX01V00005F4	YF01-00101-	N-N-14		95 mm	KOB-YX01V00005R200	132.97
	MODEL SK235SR-1E						
ARM	YN01V00105F1	YF02-01201-YF02-01299	P-UB-10	95 mm	135 mm	KOB-YN01V00105R900	610.86
	YN01V00105F1	YF02-01201-YF02-01299	P-UB-1	95 mm		KOB-YN01V00105R100	220.96
	YN01V00105F1	YF02-01201-YF02-01299	N-N-10		135 mm	KOB-YN01V00105R800	389.90
	YN01V00105F1	YF03-01300-YF03-01421	P-UB-10	95 mm	135 mm	KOB-YN01V00105R900	610.86
	YN01V00105F1	YF03-01300-YF03-01421	P-UB-1	95 mm		KOB-YN01V00105R100	220.96
	YN01V00105F1	YF03-01300-YF03-01421	N-N-10		135 mm	KOB-YN01V00105R800	389.90
	YN01V00105F2	YF02-01201-YF02-01299	P-UB-10	95 mm	135 mm	KOB-YN01V00105R900	610.86
	YN01V00105F2	YF02-01201-YF02-01299	P-UB-1	95 mm		KOB-YN01V00105R100	220.96
	YN01V00105F2	YF02-01201-YF02-01299	N-N-10		135 mm	KOB-YN01V00105R800	389.90
	YN01V00105F2	YF03-01300-YF03-01421	P-UB-10	95 mm	135 mm	KOB-YN01V00105R900	610.86
	YN01V00105F2	YF03-01300-YF03-01421	P-UB-1	95 mm		KOB-YN01V00105R100	220.96
	YN01V00105F2	YF03-01300-YF03-01421	N-N-10		135 mm	KOB-YN01V00105R800	389.90
	YN01V00105F3	YF02-01201-YF02-01299	P-UB-10	95 mm	135 mm	KOB-YN01V00105R900	610.86
	YN01V00105F3	YF02-01201-YF02-01299	P-UB-1	95 mm		KOB-YN01V00105R100	220.96
	YN01V00105F3	YF02-01201-YF02-01299	N-N-10		135 mm	KOB-YN01V00105R800	389.90
	YN01V00105F3	YF03-01300-YF03-01421	P-UB-10	95 mm	135 mm	KOB-YN01V00105R900	610.86
	YN01V00105F3	YF03-01300-YF03-01421	P-UB-1	95 mm		KOB-YN01V00105R100	220.96
	YN01V00105F3	YF03-01300-YF03-01421	N-N-10		135 mm	KOB-YN01V00105R800	389.90
	YN01V00105F4	YF02-01201-YF02-01299	P-UB-10	95 mm	135 mm	KOB-YN01V00105R900	610.86
	YN01V00105F4	YF02-01201-YF02-01299	P-UB-1	95 mm		KOB-YN01V00105R100	220.96
	YN01V00105F4	YF02-01201-YF02-01299	N-N-10		135 mm	KOB-YN01V00105R800	389.90
	YN01V00105F4	YF03-01300-YF03-01421	P-UB-10	95 mm	135 mm	KOB-YN01V00105R900	610.86
	YN01V00105F4	YF03-01300-YF03-01421	P-UB-1	95 mm		KOB-YN01V00105R100	220.96
	YN01V00105F4	YF03-01300-YF03-01421	N-N-10		135 mm	KOB-YN01V00105R800	389.90
	YN01V00105F5	YF02-01201-YF02-01299	P-UB-10	95 mm	135 mm	KOB-YN01V00105R900	610.86
	YN01V00105F5	YF02-01201-YF02-01299	P-UB-1	95 mm		KOB-YN01V00105R100	220.96
	YN01V00105F5	YF02-01201-YF02-01299	N-N-10		135 mm	KOB-YN01V00105R800	389.90
	YN01V00105F5	YF03-01300-YF03-01421	P-UB-10	95 mm	135 mm	KOB-YN01V00105R900	610.86
	YN01V00105F5	YF03-01300-YF03-01421	P-UB-1	95 mm		KOB-YN01V00105R100	220.96
	YN01V00105F5	YF03-01300-YF03-01421	N-N-10		135 mm	KOB-YN01V00105R800	389.90
	YN01V00105F6	YF02-01201-YF02-01299	P-UB-10	95 mm	135 mm	KOB-YN01V00105R900	610.86
	YN01V00105F6	YF02-01201-YF02-01299	P-UB-1	95 mm		KOB-YN01V00105R100	220.96
	YN01V00105F6	YF02-01201-YF02-01299	N-N-10		135 mm	KOB-YN01V00105R800	389.90
	YN01V00105F6	YF03-01300-YF03-01421	P-UB-10	95 mm	135 mm	KOB-YN01V00105R900	610.86
	YN01V00105F6	YF03-01300-YF03-01421	P-UB-1	95 mm		KOB-YN01V00105R100	220.96
	YN01V00105F6	YF03-01300-YF03-01421	N-N-10		135 mm	KOB-YN01V00105R800	389.90
	YN01V00132F1	YF02-01201-YF02-01299	P-UB-10	95 mm	135 mm	KOB-YN01V00105R900	610.86
	YN01V00132F1	YF02-01201-YF02-01299	P-UB-1	95 mm		KOB-YN01V00105R100	220.96
	YN01V00132F1	YF02-01201-YF02-01299	N-N-10		135 mm	KOB-YN01V00105R800	389.90
	YN01V00132F1	YF03-01300-YF03-01421	P-UB-10	95 mm	135 mm	KOB-YN01V00105R900	610.86
YN01V00132F1	YF03-01300-YF03-01421	P-UB-1	95 mm		KOB-YN01V00105R100	220.96	
YN01V00132F1	YF03-01300-YF03-01421	N-N-10		135 mm	KOB-YN01V00105R800	389.90	

Replacement Kits For

KOBELCO

Excavators							
APPLICATION	CYL #	SERIAL #	CODE	ROD	BORE	KIT #	List \$
MODEL SK235SR-1E							
ARM	YN01V00132F1	YF04-01501-	P-UB-10	95 mm	135 mm	KOB-YN01V00105R900	610.86
	YN01V00132F1	YF04-01501-	P-UB-1	95 mm		KOB-YN01V00105R100	220.96
	YN01V00132F1	YF04-01501-	N-N-10		135 mm	KOB-YN01V00105R800	389.90
	YN01V00132F2	YF02-01201-YF02-01299	P-UB-10	95 mm	135 mm	KOB-YN01V00105R900	610.86
	YN01V00132F2	YF02-01201-YF02-01299	P-UB-1	95 mm		KOB-YN01V00105R100	220.96
	YN01V00132F2	YF02-01201-YF02-01299	N-N-10		135 mm	KOB-YN01V00105R800	389.90
	YN01V00132F2	YF03-01300-YF03-01421	P-UB-10	95 mm	135 mm	KOB-YN01V00105R900	610.86
	YN01V00132F2	YF03-01300-YF03-01421	P-UB-1	95 mm		KOB-YN01V00105R100	220.96
	YN01V00132F2	YF03-01300-YF03-01421	N-N-10		135 mm	KOB-YN01V00105R800	389.90
	YN01V00132F2	YF04-01501-	P-UB-10	95 mm	135 mm	KOB-YN01V00105R900	610.86
	YN01V00132F2	YF04-01501-	P-UB-1	95 mm		KOB-YN01V00105R100	220.96
	YN01V00132F2	YF04-01501-	N-N-10		135 mm	KOB-YN01V00105R800	389.90
	YN01V00132F3	YF02-01201-YF02-01299	P-UB-10	95 mm	135 mm	KOB-YN01V00105R900	610.86
	YN01V00132F3	YF02-01201-YF02-01299	P-UB-1	95 mm		KOB-YN01V00105R100	220.96
	YN01V00132F3	YF02-01201-YF02-01299	N-N-10		135 mm	KOB-YN01V00105R800	389.90
	YN01V00132F3	YF03-01300-YF03-01421	P-UB-10	95 mm	135 mm	KOB-YN01V00105R900	610.86
	YN01V00132F3	YF03-01300-YF03-01421	P-UB-1	95 mm		KOB-YN01V00105R100	220.96
	YN01V00132F3	YF03-01300-YF03-01421	N-N-10		135 mm	KOB-YN01V00105R800	389.90
	YN01V00132F3	YF04-01501-	P-UB-10	95 mm	135 mm	KOB-YN01V00105R900	610.86
	YN01V00132F3	YF04-01501-	P-UB-1	95 mm		KOB-YN01V00105R100	220.96
	YN01V00132F3	YF04-01501-	N-N-10		135 mm	KOB-YN01V00105R800	389.90
	YN01V00132F4	YF02-01201-YF02-01299	P-UB-10	95 mm	135 mm	KOB-YN01V00105R900	610.86
	YN01V00132F4	YF02-01201-YF02-01299	P-UB-1	95 mm		KOB-YN01V00105R100	220.96
	YN01V00132F4	YF02-01201-YF02-01299	N-N-10		135 mm	KOB-YN01V00105R800	389.90
	YN01V00132F4	YF03-01300-YF03-01421	P-UB-10	95 mm	135 mm	KOB-YN01V00105R900	610.86
	YN01V00132F4	YF03-01300-YF03-01421	P-UB-1	95 mm		KOB-YN01V00105R100	220.96
	YN01V00132F4	YF03-01300-YF03-01421	N-N-10		135 mm	KOB-YN01V00105R800	389.90
	YN01V00132F4	YF04-01501-	P-UB-10	95 mm	135 mm	KOB-YN01V00105R900	610.86
	YN01V00132F4	YF04-01501-	P-UB-1	95 mm		KOB-YN01V00105R100	220.96
	YN01V00132F4	YF04-01501-	N-N-10		135 mm	KOB-YN01V00105R800	389.90
	YN01V00132F5	YF02-01201-YF02-01299	P-UB-10	95 mm	135 mm	KOB-YN01V00105R900	610.86
	YN01V00132F5	YF02-01201-YF02-01299	P-UB-1	95 mm		KOB-YN01V00105R100	220.96
	YN01V00132F5	YF02-01201-YF02-01299	N-N-10		135 mm	KOB-YN01V00105R800	389.90
	YN01V00132F5	YF03-01300-YF03-01421	P-UB-10	95 mm	135 mm	KOB-YN01V00105R900	610.86
	YN01V00132F5	YF03-01300-YF03-01421	P-UB-1	95 mm		KOB-YN01V00105R100	220.96
	YN01V00132F5	YF03-01300-YF03-01421	N-N-10		135 mm	KOB-YN01V00105R800	389.90
	YN01V00132F5	YF04-01501-	P-UB-10	95 mm	135 mm	KOB-YN01V00105R900	610.86
	YN01V00132F5	YF04-01501-	P-UB-1	95 mm		KOB-YN01V00105R100	220.96
	YN01V00132F5	YF04-01501-	N-N-10		135 mm	KOB-YN01V00105R800	389.90
BOOM LH	YN01V00108F1	YF02-01201-YF02-01299	P-UB-10	85 mm	125 mm	KOB-YN01V00103R900	492.95
	YN01V00108F1	YF02-01201-YF02-01299	P-UB-1	85 mm		KOB-YN01V00103R100	189.23
	YN01V00108F1	YF02-01201-YF02-01299	N-N-10		125 mm	KOB-YN01V00103R800	303.74
	YN01V00108F1	YF03-01300-YF03-01421	P-UB-10	85 mm	125 mm	KOB-YN01V00103R900	492.95
	YN01V00108F1	YF03-01300-YF03-01421	P-UB-1	85 mm		KOB-YN01V00103R100	189.23
	YN01V00108F1	YF03-01300-YF03-01421	N-N-10		125 mm	KOB-YN01V00103R800	303.74
	YN01V00108F1	YF04-01501-	P-UB-10	85 mm	125 mm	KOB-YN01V00103R900	492.95
	YN01V00108F1	YF04-01501-	P-UB-1	85 mm		KOB-YN01V00103R100	189.23
	YN01V00108F1	YF04-01501-	N-N-10		125 mm	KOB-YN01V00103R800	303.74
	YN01V00108F2	YF02-01201-YF02-01299	P-UB-10	85 mm	125 mm	KOB-YN01V00103R900	492.95
	YN01V00108F2	YF02-01201-YF02-01299	P-UB-1	85 mm		KOB-YN01V00103R100	189.23
	YN01V00108F2	YF02-01201-YF02-01299	N-N-10		125 mm	KOB-YN01V00103R800	303.74
	YN01V00108F2	YF03-01300-YF03-01421	P-UB-10	85 mm	125 mm	KOB-YN01V00103R900	492.95
	YN01V00108F2	YF03-01300-YF03-01421	P-UB-1	85 mm		KOB-YN01V00103R100	189.23
	YN01V00108F2	YF03-01300-YF03-01421	N-N-10		125 mm	KOB-YN01V00103R800	303.74
	YN01V00108F2	YF04-01501-	P-UB-10	85 mm	125 mm	KOB-YN01V00103R900	492.95

Replacement Kits For

KOBELCO

KOBELCO

Excavators							
APPLICATION	CYL #	SERIAL #	CODE	ROD	BORE	KIT #	List \$
MODEL SK235SR-1E							
BOOM LH	YN01V00108F2	YF04-01501-	P-UB-1	85 mm		KOB-YN01V00103R100	189.23
	YN01V00108F2	YF04-01501-	N-N-10		125 mm	KOB-YN01V00103R800	303.74
	YN01V00108F3	YF02-01201-YF02-01299	P-UB-10	85 mm	125 mm	KOB-YN01V00103R900	492.95
	YN01V00108F3	YF02-01201-YF02-01299	P-UB-1	85 mm		KOB-YN01V00103R100	189.23
	YN01V00108F3	YF02-01201-YF02-01299	N-N-10		125 mm	KOB-YN01V00103R800	303.74
	YN01V00108F3	YF03-01300-YF03-01421	P-UB-10	85 mm	125 mm	KOB-YN01V00103R900	492.95
	YN01V00108F3	YF03-01300-YF03-01421	P-UB-1	85 mm		KOB-YN01V00103R100	189.23
	YN01V00108F3	YF03-01300-YF03-01421	N-N-10		125 mm	KOB-YN01V00103R800	303.74
	YN01V00108F3	YF04-01501-	P-UB-10	85 mm	125 mm	KOB-YN01V00103R900	492.95
	YN01V00108F3	YF04-01501-	P-UB-1	85 mm		KOB-YN01V00103R100	189.23
BOOM RH	YN01V00107F1	YF02-01201-YF02-01299	P-UB-10	85 mm	125 mm	KOB-YN01V00103R900	492.95
	YN01V00107F1	YF02-01201-YF02-01299	P-UB-1	85 mm		KOB-YN01V00103R100	189.23
	YN01V00107F1	YF02-01201-YF02-01299	N-N-10		125 mm	KOB-YN01V00103R800	303.74
	YN01V00107F1	YF03-01300-YF03-01421	P-UB-10	85 mm	125 mm	KOB-YN01V00103R900	492.95
	YN01V00107F1	YF03-01300-YF03-01421	P-UB-1	85 mm		KOB-YN01V00103R100	189.23
	YN01V00107F1	YF03-01300-YF03-01421	N-N-10		125 mm	KOB-YN01V00103R800	303.74
	YN01V00107F1	YF04-01501-	P-UB-10	85 mm	125 mm	KOB-YN01V00103R900	492.95
	YN01V00107F1	YF04-01501-	P-UB-1	85 mm		KOB-YN01V00103R100	189.23
	YN01V00107F1	YF04-01501-	N-N-10		125 mm	KOB-YN01V00103R800	303.74
	YN01V00107F2	YF02-01201-YF02-01299	P-UB-10	85 mm	125 mm	KOB-YN01V00103R900	492.95
	YN01V00107F2	YF02-01201-YF02-01299	P-UB-1	85 mm		KOB-YN01V00103R100	189.23
	YN01V00107F2	YF02-01201-YF02-01299	N-N-10		125 mm	KOB-YN01V00103R800	303.74
	YN01V00107F2	YF03-01300-YF03-01421	P-UB-10	85 mm	125 mm	KOB-YN01V00103R900	492.95
	YN01V00107F2	YF03-01300-YF03-01421	P-UB-1	85 mm		KOB-YN01V00103R100	189.23
	YN01V00107F2	YF03-01300-YF03-01421	N-N-10		125 mm	KOB-YN01V00103R800	303.74
	YN01V00107F2	YF04-01501-	P-UB-10	85 mm	125 mm	KOB-YN01V00103R900	492.95
	YN01V00107F2	YF04-01501-	P-UB-1	85 mm		KOB-YN01V00103R100	189.23
	YN01V00107F2	YF04-01501-	N-N-10		125 mm	KOB-YN01V00103R800	303.74
	YN01V00107F3	YF02-01201-YF02-01299	P-UB-10	85 mm	125 mm	KOB-YN01V00103R900	492.95
	YN01V00107F3	YF02-01201-YF02-01299	P-UB-1	85 mm		KOB-YN01V00103R100	189.23
	YN01V00107F3	YF02-01201-YF02-01299	N-N-10		125 mm	KOB-YN01V00103R800	303.74
	YN01V00107F3	YF03-01300-YF03-01421	P-UB-10	85 mm	125 mm	KOB-YN01V00103R900	492.95
	YN01V00107F3	YF03-01300-YF03-01421	P-UB-1	85 mm		KOB-YN01V00103R100	189.23
	YN01V00107F3	YF03-01300-YF03-01421	N-N-10		125 mm	KOB-YN01V00103R800	303.74
	YN01V00107F3	YF04-01501-	P-UB-10	85 mm	125 mm	KOB-YN01V00103R900	492.95
	YN01V00107F3	YF04-01501-	P-UB-1	85 mm		KOB-YN01V00103R100	189.23
	YN01V00107F3	YF04-01501-	N-N-10		125 mm	KOB-YN01V00103R800	303.74
BUCKET	YN01V00112F1	YF02-01201-YF02-01299	P-UB-10	80 mm	120 mm	KOB-YN01V00112R900	605.23
	YN01V00112F1	YF02-01201-YF02-01299	P-UB-1	80 mm		KOB-YN01V00112R100	221.73
	YN01V00112F1	YF02-01201-YF02-01299	N-N-10		120 mm	KOB-YN01V00112R800	377.97
	YN01V00112F1	YF03-01300-YF03-01421	P-UB-10	80 mm	120 mm	KOB-YN01V00112R900	605.23
	YN01V00112F1	YF03-01300-YF03-01421	P-UB-1	80 mm		KOB-YN01V00112R100	221.73
	YN01V00112F1	YF03-01300-YF03-01421	N-N-10		120 mm	KOB-YN01V00112R800	377.97
	YN01V00112F1	YF04-01501-	P-UB-10	80 mm	120 mm	KOB-YN01V00112R900	605.23
	YN01V00112F1	YF04-01501-	P-UB-1	80 mm		KOB-YN01V00112R100	221.73
	YN01V00112F1	YF04-01501-	N-N-10		120 mm	KOB-YN01V00112R800	377.97
	YN01V00112F2	YF02-01201-YF02-01299	P-UB-10	80 mm	120 mm	KOB-YN01V00112R900	605.23
	YN01V00112F2	YF02-01201-YF02-01299	P-UB-1	80 mm		KOB-YN01V00112R100	221.73
	YN01V00112F2	YF02-01201-YF02-01299	N-N-10		120 mm	KOB-YN01V00112R800	377.97
	YN01V00112F2	YF03-01300-YF03-01421	P-UB-10	80 mm	120 mm	KOB-YN01V00112R900	605.23
	YN01V00112F2	YF03-01300-YF03-01421	P-UB-1	80 mm		KOB-YN01V00112R100	221.73
	YN01V00112F2	YF03-01300-YF03-01421	N-N-10		120 mm	KOB-YN01V00112R800	377.97
	YN01V00112F2	YF04-01501-	P-UB-10	80 mm	120 mm	KOB-YN01V00112R900	605.23
	YN01V00112F2	YF04-01501-	P-UB-1	80 mm		KOB-YN01V00112R100	221.73

Replacement Kits For

KOBELCO

Excavators								
APPLICATION	CYL #	SERIAL #	CODE	ROD	BORE	KIT #	List \$	
MODEL SK235SR-1E								
BUCKET	YN01V00112F2	YF04-01501-	N-N-10		120 mm	KOB-YN01V00112R800	377.97	
	YN01V00112F3	YF02-01201-YF02-01299	P-UB-10	80 mm	120 mm	KOB-YN01V00112R900	605.23	
	YN01V00112F3	YF02-01201-YF02-01299	P-UB-1	80 mm		KOB-YN01V00112R100	221.73	
	YN01V00112F3	YF02-01201-YF02-01299	N-N-10		120 mm	KOB-YN01V00112R800	377.97	
	YN01V00112F3	YF03-01300-YF03-01421	P-UB-10	80 mm	120 mm	KOB-YN01V00112R900	605.23	
	YN01V00112F3	YF03-01300-YF03-01421	P-UB-1	80 mm		KOB-YN01V00112R100	221.73	
	YN01V00112F3	YF03-01300-YF03-01421	N-N-10		120 mm	KOB-YN01V00112R800	377.97	
	YN01V00112F3	YF04-01501-	P-UB-10	80 mm	120 mm	KOB-YN01V00112R900	605.23	
	YN01V00112F3	YF04-01501-	P-UB-1	80 mm		KOB-YN01V00112R100	221.73	
	YN01V00112F3	YF04-01501-	N-N-10		120 mm	KOB-YN01V00112R800	377.97	
	YN01V00112F4	YF02-01201-YF02-01299	P-UB-10	80 mm	120 mm	KOB-YN01V00112R900	605.23	
	YN01V00112F4	YF02-01201-YF02-01299	P-UB-1	80 mm		KOB-YN01V00112R100	221.73	
	YN01V00112F4	YF02-01201-YF02-01299	N-N-10		120 mm	KOB-YN01V00112R800	377.97	
	YN01V00112F4	YF03-01300-YF03-01421	P-UB-10	80 mm	120 mm	KOB-YN01V00112R900	605.23	
	YN01V00112F4	YF03-01300-YF03-01421	P-UB-1	80 mm		KOB-YN01V00112R100	221.73	
	YN01V00112F4	YF03-01300-YF03-01421	N-N-10		120 mm	KOB-YN01V00112R800	377.97	
	YN01V00112F4	YF04-01501-	P-UB-10	80 mm	120 mm	KOB-YN01V00112R900	605.23	
	YN01V00112F4	YF04-01501-	P-UB-1	80 mm		KOB-YN01V00112R100	221.73	
	YN01V00112F4	YF04-01501-	N-N-10		120 mm	KOB-YN01V00112R800	377.97	
	YN01V00112F5	YF04-01501-	P-UB-10	80 mm	120 mm	KOB-YN01V00112R900	605.23	
YN01V00112F5	YF04-01501-	P-UB-1	80 mm		KOB-YN01V00112R100	221.73		
YN01V00112F5	YF04-01501-	N-N-10		120 mm	KOB-YN01V00112R800	377.97		
MODEL SK235SR-1ES								
ARM	YN01V00132F1	YF04-01501-	P-UB-10	95 mm	135 mm	KOB-YN01V00105R900	610.86	
	YN01V00132F1	YF04-01501-	P-UB-1	95 mm		KOB-YN01V00105R100	220.96	
	YN01V00132F1	YF04-01501-	N-N-10		135 mm	KOB-YN01V00105R800	389.90	
	YN01V00132F2	YF04-01501-	P-UB-10	95 mm	135 mm	KOB-YN01V00105R900	610.86	
	YN01V00132F2	YF04-01501-	P-UB-1	95 mm		KOB-YN01V00105R100	220.96	
	YN01V00132F2	YF04-01501-	N-N-10		135 mm	KOB-YN01V00105R800	389.90	
	YN01V00132F3	YF04-01501-	P-UB-10	95 mm	135 mm	KOB-YN01V00105R900	610.86	
	YN01V00132F3	YF04-01501-	P-UB-1	95 mm		KOB-YN01V00105R100	220.96	
	YN01V00132F3	YF04-01501-	N-N-10		135 mm	KOB-YN01V00105R800	389.90	
	YN01V00132F4	YF04-01501-	P-UB-10	95 mm	135 mm	KOB-YN01V00105R900	610.86	
	YN01V00132F4	YF04-01501-	P-UB-1	95 mm		KOB-YN01V00105R100	220.96	
	YN01V00132F4	YF04-01501-	N-N-10		135 mm	KOB-YN01V00105R800	389.90	
	YN01V00132F5	YF04-01501-	P-UB-10	95 mm	135 mm	KOB-YN01V00105R900	610.86	
	YN01V00132F5	YF04-01501-	P-UB-1	95 mm		KOB-YN01V00105R100	220.96	
	YN01V00132F5	YF04-01501-	N-N-10		135 mm	KOB-YN01V00105R800	389.90	
	BOOM LH	YN01V00108F1	YF04-01501-	P-UB-10	85 mm	125 mm	KOB-YN01V00103R900	492.95
		YN01V00108F1	YF04-01501-	P-UB-1	85 mm		KOB-YN01V00103R100	189.23
		YN01V00108F1	YF04-01501-	N-N-10		125 mm	KOB-YN01V00103R800	303.74
YN01V00108F2		YF04-01501-	P-UB-10	85 mm	125 mm	KOB-YN01V00103R900	492.95	
YN01V00108F2		YF04-01501-	P-UB-1	85 mm		KOB-YN01V00103R100	189.23	
YN01V00108F2		YF04-01501-	N-N-10		125 mm	KOB-YN01V00103R800	303.74	
YN01V00108F3		YF04-01501-	P-UB-10	85 mm	125 mm	KOB-YN01V00103R900	492.95	
YN01V00108F3		YF04-01501-	P-UB-1	85 mm		KOB-YN01V00103R100	189.23	
YN01V00108F3		YF04-01501-	N-N-10		125 mm	KOB-YN01V00103R800	303.74	
BOOM RH	YN01V00107F1	YF04-01501-	P-UB-10	85 mm	125 mm	KOB-YN01V00103R900	492.95	
	YN01V00107F1	YF04-01501-	P-UB-1	85 mm		KOB-YN01V00103R100	189.23	
	YN01V00107F1	YF04-01501-	N-N-10		125 mm	KOB-YN01V00103R800	303.74	
	YN01V00107F2	YF04-01501-	P-UB-10	85 mm	125 mm	KOB-YN01V00103R900	492.95	
	YN01V00107F2	YF04-01501-	P-UB-1	85 mm		KOB-YN01V00103R100	189.23	
	YN01V00107F2	YF04-01501-	N-N-10		125 mm	KOB-YN01V00103R800	303.74	
	YN01V00107F3	YF04-01501-	P-UB-10	85 mm	125 mm	KOB-YN01V00103R900	492.95	
	YN01V00107F3	YF04-01501-	P-UB-1	85 mm		KOB-YN01V00103R100	189.23	
	YN01V00107F3	YF04-01501-	N-N-10		125 mm	KOB-YN01V00103R800	303.74	

KOBELCO

KOBELCO

Replacement Kits For

Excavators								
APPLICATION	CYL #	SERIAL #	CODE	ROD	BORE	KIT #	List \$	
MODEL SK235SR-1ES								
BOOM RH	YN01V00107F3	YF04-01501-	N-N-10		125 mm	KOB-YN01V00103R800	303.74	
BUCKET	YN01V00112F1	YF04-01501-	P-UB-10	80 mm	120 mm	KOB-YN01V00112R900	605.23	
	YN01V00112F1	YF04-01501-	P-UB-1	80 mm		KOB-YN01V00112R100	221.73	
	YN01V00112F1	YF04-01501-	N-N-10		120 mm	KOB-YN01V00112R800	377.97	
	YN01V00112F2	YF04-01501-	P-UB-10	80 mm	120 mm	KOB-YN01V00112R900	605.23	
	YN01V00112F2	YF04-01501-	P-UB-1	80 mm		KOB-YN01V00112R100	221.73	
	YN01V00112F2	YF04-01501-	N-N-10		120 mm	KOB-YN01V00112R800	377.97	
	YN01V00112F3	YF04-01501-	P-UB-10	80 mm	120 mm	KOB-YN01V00112R900	605.23	
	YN01V00112F3	YF04-01501-	P-UB-1	80 mm		KOB-YN01V00112R100	221.73	
	YN01V00112F3	YF04-01501-	N-N-10		120 mm	KOB-YN01V00112R800	377.97	
	YN01V00112F4	YF04-01501-	P-UB-10	80 mm	120 mm	KOB-YN01V00112R900	605.23	
	YN01V00112F4	YF04-01501-	P-UB-1	80 mm		KOB-YN01V00112R100	221.73	
	YN01V00112F4	YF04-01501-	N-N-10		120 mm	KOB-YN01V00112R800	377.97	
	YN01V00112F5	YF04-01501-	P-UB-10	80 mm	120 mm	KOB-YN01V00112R900	605.23	
	YN01V00112F5	YF04-01501-	P-UB-1	80 mm		KOB-YN01V00112R100	221.73	
	YN01V00112F5	YF04-01501-	N-N-10		120 mm	KOB-YN01V00112R800	377.97	
MODEL SK235SR-2								
ARM	YN01V00175F1	YF05-02001-	P-UB-10	95 mm	135 mm	KOB-YN01V00175R300	630.92	
	YN01V00175F1	YF05-02001-	P-UB-1	95 mm		KOB-YN01V00175R100	189.14	
	YN01V00175F1	YF05-02001-	N-N-10		135 mm	KOB-YN01V00175R200	428.22	
	YN01V00175F2	YF05-02001-	P-UB-10	95 mm	135 mm	KOB-YN01V00175R300	630.92	
	YN01V00175F2	YF05-02001-	P-UB-1	95 mm		KOB-YN01V00175R100	189.14	
	YN01V00175F2	YF05-02001-	N-N-10		135 mm	KOB-YN01V00175R200	428.22	
BOOM	YF01V00001F1	YF05-02001-	P-UB-10	85 mm	125 mm	KOB-YF01V00001R300	516.29	
	YF01V00001F1	YF05-02001-	P-UB-1	85 mm		KOB-LQ01V00030R100	154.30	
	YF01V00001F1	YF05-02001-	N-N-10		125 mm	KOB-YF01V00001R200	361.99	
BUCKET	YN01V00153F1	YF05-02001-	P-UB-10	80 mm	120 mm	KOB-YN01V00153R300	390.26	
	YN01V00153F1	YF05-02001-	P-UB-1	80 mm		KOB-YN01V00153R100	191.48	
	YN01V00153F1	YF05-02001-	N-N-10		120 mm	KOB-YN01V00151R600	190.11	
	YN01V00153F2	YF05-02001-	P-UB-10	80 mm	120 mm	KOB-YN01V00153R300	390.26	
	YN01V00153F2	YF05-02001-	P-UB-1	80 mm		KOB-YN01V00153R100	191.48	
	YN01V00153F2	YF05-02001-	N-N-10		120 mm	KOB-YN01V00151R600	190.11	
MODEL SK235SR-LC								
ARM	YN01V00039F1	YU01-00101-	P-UB-14	95 mm	135 mm	KOB-YN01V00039R300	394.17	
	YN01V00039F1	YU01-00101-	P-UB-1	95 mm		KOB-YN01V00003R100	96.60	
	YN01V00039F1	YU01-00101-	N-N-14		135 mm	KOB-YN01V00039R200	297.60	
	YN01V00078F1	YU01-00101-	P-UB-14	95 mm	135 mm	KOB-YN01V00039R300	394.17	
	YN01V00078F1	YU01-00101-	P-UB-1	95 mm		KOB-YN01V00003R100	96.60	
	YN01V00078F1	YU01-00101-	N-N-14		135 mm	KOB-YN01V00039R200	297.60	
	YN01V00105F1	YU01-00101-	P-UB-10	95 mm	135 mm	KOB-YN01V00105R300	610.86	
	YN01V00105F1	YU01-00101-	P-UB-1	95 mm		KOB-YN01V00105R100	220.96	
	YN01V00105F1	YU01-00101-	N-N-10		135 mm	KOB-YN01V00105R200	389.90	
	YN01V00105F2	YU01-00101-	P-UB-10	95 mm	135 mm	KOB-YN01V00105R300	610.86	
	YN01V00105F2	YU01-00101-	P-UB-1	95 mm		KOB-YN01V00105R100	220.96	
	YN01V00105F2	YU01-00101-	N-N-10		135 mm	KOB-YN01V00105R200	389.90	
	YN01V00105F3	YU01-00101-	P-UB-10	95 mm	135 mm	KOB-YN01V00105R300	610.86	
	YN01V00105F3	YU01-00101-	P-UB-1	95 mm		KOB-YN01V00105R100	220.96	
	YN01V00105F3	YU01-00101-	N-N-10		135 mm	KOB-YN01V00105R200	389.90	
	BOOM LH	YN01V00053F1	YU01-00101-	P-UB-14	85 mm	125 mm	KOB-YN01V00052R300	323.42
		YN01V00053F1	YU01-00101-	P-UB-1	85 mm		KOB-YN01V00052R100	91.06
		YN01V00053F1	YU01-00101-	N-N-14		125 mm	KOB-YN01V00052R200	232.38
YN01V00053F2		YU01-00101-	P-UB-14	85 mm	125 mm	KOB-YN01V00052R300	323.42	
YN01V00053F2		YU01-00101-	P-UB-1	85 mm		KOB-YN01V00052R100	91.06	
YN01V00053F2		YU01-00101-	N-N-14		125 mm	KOB-YN01V00052R200	232.38	
YN01V00108F1	YU01-00101-	P-UB-10	85 mm	125 mm	KOB-YN01V00103R300	492.95		

KOBELCO

KOBELCO

Replacement Kits For

Excavators									
APPLICATION	CYL #	SERIAL #	CODE	ROD	BORE	KIT #	List \$		
MODEL SK235SRLC									
BOOM LH	YN01V00108F1	YU01-00101-	P-UB-1	85 mm		KOB-YN01V00103R100	189.23		
	YN01V00108F1	YU01-00101-	N-N-10		125 mm	KOB-YN01V00103R200	303.74		
BOOM RH	YN01V00052F1	YU01-00101-	P-UB-14	85 mm	125 mm	KOB-YN01V00052R300	323.42		
	YN01V00052F1	YU01-00101-	P-UB-1	85 mm		KOB-YN01V00052R100	91.06		
	YN01V00052F1	YU01-00101-	N-N-14		125 mm	KOB-YN01V00052R200	232.38		
	YN01V00052F2	YU01-00101-	P-UB-14	85 mm	125 mm	KOB-YN01V00052R300	323.42		
	YN01V00052F2	YU01-00101-	P-UB-1	85 mm		KOB-YN01V00052R100	91.06		
	YN01V00052F2	YU01-00101-	N-N-14		125 mm	KOB-YN01V00052R200	232.38		
	YN01V00107F1	YU01-00101-	P-UB-10	85 mm	125 mm	KOB-YN01V00103R300	492.95		
	YN01V00107F1	YU01-00101-	P-UB-1	85 mm		KOB-YN01V00103R100	189.23		
	YN01V00107F1	YU01-00101-	N-N-10		125 mm	KOB-YN01V00103R200	303.74		
BUCKET	YN01V00068F1	YU01-00101-	P-UB-14	80 mm	115 mm	KOB-YN01V00068R300	188.76		
	YN01V00068F1	YU01-00101-	P-UB-1	80 mm		KOB-YN01V00068R100	91.35		
	YN01V00068F1	YU01-00101-	N-N-14		115 mm	KOB-YN01V00068R200	97.42		
	YN01V00106F1	YU01-00101-	P-UB-10	80 mm	115 mm	KOB-YN01V00106R300	435.69		
	YN01V00106F1	YU01-00101-	P-UB-1	80 mm		KOB-YN01V00106R100	185.31		
	YN01V00106F1	YU01-00101-	N-N-10		115 mm	KOB-YN01V00106R200	250.41		
	YX01V00005F1	YU01-00101-	P-UB-14	65 mm	95 mm	KOB-YX01V00005R300	159.85		
	YX01V00005F1	YU01-00101-	P-UB-1	65 mm		KOB-YX01V00005R100	115.70		
	YX01V00005F1	YU01-00101-	N-N-14		95 mm	KOB-YX01V00005R200	132.97		
	YX01V00005F2	YU01-00101-	P-UB-14	65 mm	95 mm	KOB-YX01V00005R300	159.85		
	YX01V00005F2	YU01-00101-	P-UB-1	65 mm		KOB-YX01V00005R100	115.70		
	YX01V00005F2	YU01-00101-	N-N-14		95 mm	KOB-YX01V00005R200	132.97		
	YX01V00005F3	YU01-00101-	P-UB-14	65 mm	95 mm	KOB-YX01V00005R300	159.85		
	YX01V00005F3	YU01-00101-	P-UB-1	65 mm		KOB-YX01V00005R100	115.70		
	YX01V00005F3	YU01-00101-	N-N-14		95 mm	KOB-YX01V00005R200	132.97		
	YX01V00005F4	YU01-00101-	P-UB-14	65 mm	95 mm	KOB-YX01V00005R300	159.85		
	YX01V00005F4	YU01-00101-	P-UB-1	65 mm		KOB-YX01V00005R100	115.70		
	YX01V00005F4	YU01-00101-	N-N-14		95 mm	KOB-YX01V00005R200	132.97		
	MODEL SK235SRLC-1E								
	ARM	YN01V00105F1	YU02-00501-YU02-00647	P-UB-10	95 mm	135 mm	KOB-YN01V00105R900	610.86	
YN01V00105F1		YU02-00501-YU02-00647	P-UB-1	95 mm		KOB-YN01V00105R100	220.96		
YN01V00105F1		YU02-00501-YU02-00647	N-N-10		135 mm	KOB-YN01V00105R800	389.90		
YN01V00105F1		YU03-00648-YU03-00770	P-UB-10	95 mm	135 mm	KOB-YN01V00105R900	610.86		
YN01V00105F1		YU03-00648-YU03-00770	P-UB-1	95 mm		KOB-YN01V00105R100	220.96		
YN01V00105F1		YU03-00648-YU03-00770	N-N-10		135 mm	KOB-YN01V00105R800	389.90		
YN01V00105F2		YU02-00501-YU02-00647	P-UB-10	95 mm	135 mm	KOB-YN01V00105R900	610.86		
YN01V00105F2		YU02-00501-YU02-00647	P-UB-1	95 mm		KOB-YN01V00105R100	220.96		
YN01V00105F2		YU02-00501-YU02-00647	N-N-10		135 mm	KOB-YN01V00105R800	389.90		
YN01V00105F2		YU03-00648-YU03-00770	P-UB-10	95 mm	135 mm	KOB-YN01V00105R900	610.86		
YN01V00105F2		YU03-00648-YU03-00770	P-UB-1	95 mm		KOB-YN01V00105R100	220.96		
YN01V00105F2		YU03-00648-YU03-00770	N-N-10		135 mm	KOB-YN01V00105R800	389.90		
YN01V00105F3		YU02-00501-YU02-00647	P-UB-10	95 mm	135 mm	KOB-YN01V00105R900	610.86		
YN01V00105F3		YU02-00501-YU02-00647	P-UB-1	95 mm		KOB-YN01V00105R100	220.96		
YN01V00105F3		YU02-00501-YU02-00647	N-N-10		135 mm	KOB-YN01V00105R800	389.90		
YN01V00105F3		YU03-00648-YU03-00770	P-UB-10	95 mm	135 mm	KOB-YN01V00105R900	610.86		
YN01V00105F3		YU03-00648-YU03-00770	P-UB-1	95 mm		KOB-YN01V00105R100	220.96		
YN01V00105F3		YU03-00648-YU03-00770	N-N-10		135 mm	KOB-YN01V00105R800	389.90		
YN01V00105F4		YU02-00501-YU02-00647	P-UB-10	95 mm	135 mm	KOB-YN01V00105R900	610.86		
YN01V00105F4		YU02-00501-YU02-00647	P-UB-1	95 mm		KOB-YN01V00105R100	220.96		
YN01V00105F4		YU02-00501-YU02-00647	N-N-10		135 mm	KOB-YN01V00105R800	389.90		
YN01V00105F4		YU03-00648-YU03-00770	P-UB-10	95 mm	135 mm	KOB-YN01V00105R900	610.86		
YN01V00105F4		YU03-00648-YU03-00770	P-UB-1	95 mm		KOB-YN01V00105R100	220.96		
YN01V00105F4		YU03-00648-YU03-00770	N-N-10		135 mm	KOB-YN01V00105R800	389.90		
YN01V00105F5		YU02-00501-YU02-00647	P-UB-10	95 mm	135 mm	KOB-YN01V00105R900	610.86		

KOBELCO

Replacement Kits For

KOBELCO

Excavators							
APPLICATION	CYL #	SERIAL #	CODE	ROD	BORE	KIT #	List \$
MODEL SK235SRLC-1E							
ARM	YN01V00105F5	YU02-00501-YU02-00647	P-UB-1	95 mm		KOB-YN01V00105R100	220.96
	YN01V00105F5	YU02-00501-YU02-00647	N-N-10		135 mm	KOB-YN01V00105R800	389.90
	YN01V00105F5	YU03-00648-YU03-00770	P-UB-10	95 mm	135 mm	KOB-YN01V00105R900	610.86
	YN01V00105F5	YU03-00648-YU03-00770	P-UB-1	95 mm		KOB-YN01V00105R100	220.96
	YN01V00105F5	YU03-00648-YU03-00770	N-N-10		135 mm	KOB-YN01V00105R800	389.90
	YN01V00105F6	YU02-00501-YU02-00647	P-UB-10	95 mm	135 mm	KOB-YN01V00105R900	610.86
	YN01V00105F6	YU02-00501-YU02-00647	P-UB-1	95 mm		KOB-YN01V00105R100	220.96
	YN01V00105F6	YU02-00501-YU02-00647	N-N-10		135 mm	KOB-YN01V00105R800	389.90
	YN01V00105F6	YU03-00648-YU03-00770	P-UB-10	95 mm	135 mm	KOB-YN01V00105R900	610.86
	YN01V00105F6	YU03-00648-YU03-00770	P-UB-1	95 mm		KOB-YN01V00105R100	220.96
	YN01V00105F6	YU03-00648-YU03-00770	N-N-10		135 mm	KOB-YN01V00105R800	389.90
	YN01V00132F1	YU02-00501-YU02-00647	P-UB-10	95 mm	135 mm	KOB-YN01V00105R900	610.86
	YN01V00132F1	YU02-00501-YU02-00647	P-UB-1	95 mm		KOB-YN01V00105R100	220.96
	YN01V00132F1	YU02-00501-YU02-00647	N-N-10		135 mm	KOB-YN01V00105R800	389.90
	YN01V00132F1	YU03-00648-YU03-00770	P-UB-10	95 mm	135 mm	KOB-YN01V00105R900	610.86
	YN01V00132F1	YU03-00648-YU03-00770	P-UB-1	95 mm		KOB-YN01V00105R100	220.96
	YN01V00132F1	YU03-00648-YU03-00770	N-N-10		135 mm	KOB-YN01V00105R800	389.90
	YN01V00132F1	YU04-00801-	P-UB-10	95 mm	135 mm	KOB-YN01V00105R900	610.86
	YN01V00132F1	YU04-00801-	P-UB-1	95 mm		KOB-YN01V00105R100	220.96
	YN01V00132F1	YU04-00801-	N-N-10		135 mm	KOB-YN01V00105R800	389.90
	YN01V00132F2	YU02-00501-YU02-00647	P-UB-10	95 mm	135 mm	KOB-YN01V00105R900	610.86
	YN01V00132F2	YU02-00501-YU02-00647	P-UB-1	95 mm		KOB-YN01V00105R100	220.96
	YN01V00132F2	YU02-00501-YU02-00647	N-N-10		135 mm	KOB-YN01V00105R800	389.90
	YN01V00132F2	YU03-00648-YU03-00770	P-UB-10	95 mm	135 mm	KOB-YN01V00105R900	610.86
	YN01V00132F2	YU03-00648-YU03-00770	P-UB-1	95 mm		KOB-YN01V00105R100	220.96
	YN01V00132F2	YU03-00648-YU03-00770	N-N-10		135 mm	KOB-YN01V00105R800	389.90
	YN01V00132F2	YU04-00801-	P-UB-10	95 mm	135 mm	KOB-YN01V00105R900	610.86
	YN01V00132F2	YU04-00801-	P-UB-1	95 mm		KOB-YN01V00105R100	220.96
	YN01V00132F2	YU04-00801-	N-N-10		135 mm	KOB-YN01V00105R800	389.90
	YN01V00132F3	YU02-00501-YU02-00647	P-UB-10	95 mm	135 mm	KOB-YN01V00105R900	610.86
	YN01V00132F3	YU02-00501-YU02-00647	P-UB-1	95 mm		KOB-YN01V00105R100	220.96
	YN01V00132F3	YU02-00501-YU02-00647	N-N-10		135 mm	KOB-YN01V00105R800	389.90
	YN01V00132F3	YU03-00648-YU03-00770	P-UB-10	95 mm	135 mm	KOB-YN01V00105R900	610.86
	YN01V00132F3	YU03-00648-YU03-00770	P-UB-1	95 mm		KOB-YN01V00105R100	220.96
	YN01V00132F3	YU03-00648-YU03-00770	N-N-10		135 mm	KOB-YN01V00105R800	389.90
	YN01V00132F3	YU04-00801-	P-UB-10	95 mm	135 mm	KOB-YN01V00105R900	610.86
	YN01V00132F3	YU04-00801-	P-UB-1	95 mm		KOB-YN01V00105R100	220.96
	YN01V00132F3	YU04-00801-	N-N-10		135 mm	KOB-YN01V00105R800	389.90
	YN01V00132F4	YU02-00501-YU02-00647	P-UB-10	95 mm	135 mm	KOB-YN01V00105R900	610.86
	YN01V00132F4	YU02-00501-YU02-00647	P-UB-1	95 mm		KOB-YN01V00105R100	220.96
	YN01V00132F4	YU02-00501-YU02-00647	N-N-10		135 mm	KOB-YN01V00105R800	389.90
	YN01V00132F4	YU03-00648-YU03-00770	P-UB-10	95 mm	135 mm	KOB-YN01V00105R900	610.86
	YN01V00132F4	YU03-00648-YU03-00770	P-UB-1	95 mm		KOB-YN01V00105R100	220.96
	YN01V00132F4	YU03-00648-YU03-00770	N-N-10		135 mm	KOB-YN01V00105R800	389.90
	YN01V00132F4	YU04-00801-	P-UB-10	95 mm	135 mm	KOB-YN01V00105R900	610.86
YN01V00132F4	YU04-00801-	P-UB-1	95 mm		KOB-YN01V00105R100	220.96	
YN01V00132F4	YU04-00801-	N-N-10		135 mm	KOB-YN01V00105R800	389.90	
YN01V00132F5	YU02-00501-YU02-00647	P-UB-10	95 mm	135 mm	KOB-YN01V00105R900	610.86	
YN01V00132F5	YU02-00501-YU02-00647	P-UB-1	95 mm		KOB-YN01V00105R100	220.96	
YN01V00132F5	YU02-00501-YU02-00647	N-N-10		135 mm	KOB-YN01V00105R800	389.90	
YN01V00132F5	YU03-00648-YU03-00770	P-UB-10	95 mm	135 mm	KOB-YN01V00105R900	610.86	
YN01V00132F5	YU03-00648-YU03-00770	P-UB-1	95 mm		KOB-YN01V00105R100	220.96	
YN01V00132F5	YU03-00648-YU03-00770	N-N-10		135 mm	KOB-YN01V00105R800	389.90	
YN01V00132F5	YU04-00801-	P-UB-10	95 mm	135 mm	KOB-YN01V00105R900	610.86	
YN01V00132F5	YU04-00801-	P-UB-1	95 mm		KOB-YN01V00105R100	220.96	

KOBELCO

Replacement Kits For

KOBELCO

Excavators								
APPLICATION	CYL #	SERIAL #	CODE	ROD	BORE	KIT #	List \$	
MODEL SK235SRLC-1E								
ARM	YN01V00132F5	YU04-00801-	N-N-10		135 mm	KOB-YN01V00105R800	389.90	
BOOM LH	YN01V00108F1	YU02-00501-YU02-00647	P-UB-10	85 mm	125 mm	KOB-YN01V00103R900	492.95	
	YN01V00108F1	YU02-00501-YU02-00647	P-UB-1	85 mm		KOB-YN01V00103R100	189.23	
	YN01V00108F1	YU02-00501-YU02-00647	N-N-10		125 mm	KOB-YN01V00103R800	303.74	
	YN01V00108F1	YU03-00648-YU03-00770	P-UB-10	85 mm	125 mm	KOB-YN01V00103R900	492.95	
	YN01V00108F1	YU03-00648-YU03-00770	P-UB-1	85 mm		KOB-YN01V00103R100	189.23	
	YN01V00108F1	YU03-00648-YU03-00770	N-N-10		125 mm	KOB-YN01V00103R800	303.74	
	YN01V00108F1	YU04-00801-	P-UB-10	85 mm	125 mm	KOB-YN01V00103R900	492.95	
	YN01V00108F1	YU04-00801-	P-UB-1	85 mm		KOB-YN01V00103R100	189.23	
	YN01V00108F1	YU04-00801-	N-N-10		125 mm	KOB-YN01V00103R800	303.74	
	YN01V00108F2	YU02-00501-YU02-00647	P-UB-10	85 mm	125 mm	KOB-YN01V00103R900	492.95	
	YN01V00108F2	YU02-00501-YU02-00647	P-UB-1	85 mm		KOB-YN01V00103R100	189.23	
	YN01V00108F2	YU02-00501-YU02-00647	N-N-10		125 mm	KOB-YN01V00103R800	303.74	
	YN01V00108F2	YU03-00648-YU03-00770	P-UB-10	85 mm	125 mm	KOB-YN01V00103R900	492.95	
	YN01V00108F2	YU03-00648-YU03-00770	P-UB-1	85 mm		KOB-YN01V00103R100	189.23	
	YN01V00108F2	YU03-00648-YU03-00770	N-N-10		125 mm	KOB-YN01V00103R800	303.74	
	YN01V00108F2	YU04-00801-	P-UB-10	85 mm	125 mm	KOB-YN01V00103R900	492.95	
	YN01V00108F2	YU04-00801-	P-UB-1	85 mm		KOB-YN01V00103R100	189.23	
	YN01V00108F2	YU04-00801-	N-N-10		125 mm	KOB-YN01V00103R800	303.74	
	YN01V00108F3	YU02-00501-YU02-00647	P-UB-10	85 mm	125 mm	KOB-YN01V00103R900	492.95	
	YN01V00108F3	YU02-00501-YU02-00647	P-UB-1	85 mm		KOB-YN01V00103R100	189.23	
	YN01V00108F3	YU02-00501-YU02-00647	N-N-10		125 mm	KOB-YN01V00103R800	303.74	
	YN01V00108F3	YU03-00648-YU03-00770	P-UB-10	85 mm	125 mm	KOB-YN01V00103R900	492.95	
	YN01V00108F3	YU03-00648-YU03-00770	P-UB-1	85 mm		KOB-YN01V00103R100	189.23	
	YN01V00108F3	YU03-00648-YU03-00770	N-N-10		125 mm	KOB-YN01V00103R800	303.74	
	YN01V00108F3	YU04-00801-	P-UB-10	85 mm	125 mm	KOB-YN01V00103R900	492.95	
	YN01V00108F3	YU04-00801-	P-UB-1	85 mm		KOB-YN01V00103R100	189.23	
	YN01V00108F3	YU04-00801-	N-N-10		125 mm	KOB-YN01V00103R800	303.74	
	BOOM RH	YN01V00107F1	YU02-00501-YU02-00647	P-UB-10	85 mm	125 mm	KOB-YN01V00103R900	492.95
		YN01V00107F1	YU02-00501-YU02-00647	P-UB-1	85 mm		KOB-YN01V00103R100	189.23
		YN01V00107F1	YU02-00501-YU02-00647	N-N-10		125 mm	KOB-YN01V00103R800	303.74
		YN01V00107F1	YU03-00648-YU03-00770	P-UB-10	85 mm	125 mm	KOB-YN01V00103R900	492.95
		YN01V00107F1	YU03-00648-YU03-00770	P-UB-1	85 mm		KOB-YN01V00103R100	189.23
		YN01V00107F1	YU03-00648-YU03-00770	N-N-10		125 mm	KOB-YN01V00103R800	303.74
YN01V00107F1		YU04-00801-	P-UB-10	85 mm	125 mm	KOB-YN01V00103R900	492.95	
YN01V00107F1		YU04-00801-	P-UB-1	85 mm		KOB-YN01V00103R100	189.23	
YN01V00107F1		YU04-00801-	N-N-10		125 mm	KOB-YN01V00103R800	303.74	
YN01V00107F2		YU02-00501-YU02-00647	P-UB-10	85 mm	125 mm	KOB-YN01V00103R900	492.95	
YN01V00107F2		YU02-00501-YU02-00647	P-UB-1	85 mm		KOB-YN01V00103R100	189.23	
YN01V00107F2		YU02-00501-YU02-00647	N-N-10		125 mm	KOB-YN01V00103R800	303.74	
YN01V00107F2		YU03-00648-YU03-00770	P-UB-10	85 mm	125 mm	KOB-YN01V00103R900	492.95	
YN01V00107F2		YU03-00648-YU03-00770	P-UB-1	85 mm		KOB-YN01V00103R100	189.23	
YN01V00107F2		YU03-00648-YU03-00770	N-N-10		125 mm	KOB-YN01V00103R800	303.74	
YN01V00107F2		YU04-00801-	P-UB-10	85 mm	125 mm	KOB-YN01V00103R900	492.95	
YN01V00107F2		YU04-00801-	P-UB-1	85 mm		KOB-YN01V00103R100	189.23	
YN01V00107F2		YU04-00801-	N-N-10		125 mm	KOB-YN01V00103R800	303.74	
YN01V00107F3		YU02-00501-YU02-00647	P-UB-10	85 mm	125 mm	KOB-YN01V00103R900	492.95	
YN01V00107F3		YU02-00501-YU02-00647	P-UB-1	85 mm		KOB-YN01V00103R100	189.23	
YN01V00107F3		YU02-00501-YU02-00647	N-N-10		125 mm	KOB-YN01V00103R800	303.74	
YN01V00107F3		YU03-00648-YU03-00770	P-UB-10	85 mm	125 mm	KOB-YN01V00103R900	492.95	
YN01V00107F3		YU03-00648-YU03-00770	P-UB-1	85 mm		KOB-YN01V00103R100	189.23	
YN01V00107F3		YU03-00648-YU03-00770	N-N-10		125 mm	KOB-YN01V00103R800	303.74	
YN01V00107F3		YU04-00801-	P-UB-10	85 mm	125 mm	KOB-YN01V00103R900	492.95	
YN01V00107F3		YU04-00801-	P-UB-1	85 mm		KOB-YN01V00103R100	189.23	
YN01V00107F3		YU04-00801-	N-N-10		125 mm	KOB-YN01V00103R800	303.74	

KOBELCO

Replacement Kits For

KOBELCO

Excavators							
APPLICATION	CYL #	SERIAL #	CODE	ROD	BORE	KIT #	List \$
MODEL SK235SRLC-1E							
BUCKET	YN01V00112F1	YU02-00501-YU02-00647	P-UB-10	80 mm	120 mm	KOB-YN01V00112R900	605.23
	YN01V00112F1	YU02-00501-YU02-00647	P-UB-1	80 mm		KOB-YN01V00112R100	221.73
	YN01V00112F1	YU02-00501-YU02-00647	N-N-10		120 mm	KOB-YN01V00112R800	377.97
	YN01V00112F1	YU03-00648-YU03-00770	P-UB-10	80 mm	120 mm	KOB-YN01V00112R900	605.23
	YN01V00112F1	YU03-00648-YU03-00770	P-UB-1	80 mm		KOB-YN01V00112R100	221.73
	YN01V00112F1	YU03-00648-YU03-00770	N-N-10		120 mm	KOB-YN01V00112R800	377.97
	YN01V00112F1	YU04-00801-	P-UB-10	80 mm	120 mm	KOB-YN01V00112R900	605.23
	YN01V00112F1	YU04-00801-	P-UB-1	80 mm		KOB-YN01V00112R100	221.73
	YN01V00112F1	YU04-00801-	N-N-10		120 mm	KOB-YN01V00112R800	377.97
	YN01V00112F2	YU02-00501-YU02-00647	P-UB-10	80 mm	120 mm	KOB-YN01V00112R900	605.23
	YN01V00112F2	YU02-00501-YU02-00647	P-UB-1	80 mm		KOB-YN01V00112R100	221.73
	YN01V00112F2	YU02-00501-YU02-00647	N-N-10		120 mm	KOB-YN01V00112R800	377.97
	YN01V00112F2	YU03-00648-YU03-00770	P-UB-10	80 mm	120 mm	KOB-YN01V00112R900	605.23
	YN01V00112F2	YU03-00648-YU03-00770	P-UB-1	80 mm		KOB-YN01V00112R100	221.73
	YN01V00112F2	YU03-00648-YU03-00770	N-N-10		120 mm	KOB-YN01V00112R800	377.97
	YN01V00112F2	YU04-00801-	P-UB-10	80 mm	120 mm	KOB-YN01V00112R900	605.23
	YN01V00112F2	YU04-00801-	P-UB-1	80 mm		KOB-YN01V00112R100	221.73
	YN01V00112F2	YU04-00801-	N-N-10		120 mm	KOB-YN01V00112R800	377.97
	YN01V00112F3	YU02-00501-YU02-00647	P-UB-10	80 mm	120 mm	KOB-YN01V00112R900	605.23
	YN01V00112F3	YU02-00501-YU02-00647	P-UB-1	80 mm		KOB-YN01V00112R100	221.73
	YN01V00112F3	YU02-00501-YU02-00647	N-N-10		120 mm	KOB-YN01V00112R800	377.97
	YN01V00112F3	YU03-00648-YU03-00770	P-UB-10	80 mm	120 mm	KOB-YN01V00112R900	605.23
	YN01V00112F3	YU03-00648-YU03-00770	P-UB-1	80 mm		KOB-YN01V00112R100	221.73
	YN01V00112F3	YU03-00648-YU03-00770	N-N-10		120 mm	KOB-YN01V00112R800	377.97
	YN01V00112F3	YU04-00801-	P-UB-10	80 mm	120 mm	KOB-YN01V00112R900	605.23
	YN01V00112F3	YU04-00801-	P-UB-1	80 mm		KOB-YN01V00112R100	221.73
	YN01V00112F3	YU04-00801-	N-N-10		120 mm	KOB-YN01V00112R800	377.97
	YN01V00112F4	YU02-00501-YU02-00647	P-UB-10	80 mm	120 mm	KOB-YN01V00112R900	605.23
	YN01V00112F4	YU02-00501-YU02-00647	P-UB-1	80 mm		KOB-YN01V00112R100	221.73
	YN01V00112F4	YU02-00501-YU02-00647	N-N-10		120 mm	KOB-YN01V00112R800	377.97
	YN01V00112F4	YU03-00648-YU03-00770	P-UB-10	80 mm	120 mm	KOB-YN01V00112R900	605.23
	YN01V00112F4	YU03-00648-YU03-00770	P-UB-1	80 mm		KOB-YN01V00112R100	221.73
	YN01V00112F4	YU03-00648-YU03-00770	N-N-10		120 mm	KOB-YN01V00112R800	377.97
	YN01V00112F4	YU04-00801-	P-UB-10	80 mm	120 mm	KOB-YN01V00112R900	605.23
	YN01V00112F4	YU04-00801-	P-UB-1	80 mm		KOB-YN01V00112R100	221.73
YN01V00112F4	YU04-00801-	N-N-10		120 mm	KOB-YN01V00112R800	377.97	
YN01V00112F5	YU04-00801-	P-UB-10	80 mm	120 mm	KOB-YN01V00112R900	605.23	
YN01V00112F5	YU04-00801-	P-UB-1	80 mm		KOB-YN01V00112R100	221.73	
YN01V00112F5	YU04-00801-	N-N-10		120 mm	KOB-YN01V00112R800	377.97	
MODEL SK235SRLC-1ES							
ARM	YN01V00132F1	YU04-00801-	P-UB-10	95 mm	135 mm	KOB-YN01V00105R900	610.86
	YN01V00132F1	YU04-00801-	P-UB-1	95 mm		KOB-YN01V00105R100	220.96
	YN01V00132F1	YU04-00801-	N-N-10		135 mm	KOB-YN01V00105R800	389.90
	YN01V00132F2	YU04-00801-	P-UB-10	95 mm	135 mm	KOB-YN01V00105R900	610.86
	YN01V00132F2	YU04-00801-	P-UB-1	95 mm		KOB-YN01V00105R100	220.96
	YN01V00132F2	YU04-00801-	N-N-10		135 mm	KOB-YN01V00105R800	389.90
	YN01V00132F3	YU04-00801-	P-UB-10	95 mm	135 mm	KOB-YN01V00105R900	610.86
	YN01V00132F3	YU04-00801-	P-UB-1	95 mm		KOB-YN01V00105R100	220.96
	YN01V00132F3	YU04-00801-	N-N-10		135 mm	KOB-YN01V00105R800	389.90
	YN01V00132F4	YU04-00801-	P-UB-10	95 mm	135 mm	KOB-YN01V00105R900	610.86
	YN01V00132F4	YU04-00801-	P-UB-1	95 mm		KOB-YN01V00105R100	220.96
	YN01V00132F4	YU04-00801-	N-N-10		135 mm	KOB-YN01V00105R800	389.90
	YN01V00132F5	YU04-00801-	P-UB-10	95 mm	135 mm	KOB-YN01V00105R900	610.86
	YN01V00132F5	YU04-00801-	P-UB-1	95 mm		KOB-YN01V00105R100	220.96
	YN01V00132F5	YU04-00801-	N-N-10		135 mm	KOB-YN01V00105R800	389.90

KOBELCO

Replacement Kits For

KOBELCO

Excavators							
APPLICATION	CYL #	SERIAL #	CODE	ROD	BORE	KIT #	List \$
MODEL SK235SRLC-1ES							
BOOM LH	YN01V00108F1	YU04-00801-	P-UB-10	85 mm	125 mm	KOB-YN01V00103R900	492.95
	YN01V00108F1	YU04-00801-	P-UB-1	85 mm		KOB-YN01V00103R100	189.23
	YN01V00108F1	YU04-00801-	N-N-10		125 mm	KOB-YN01V00103R800	303.74
	YN01V00108F2	YU04-00801-	P-UB-10	85 mm	125 mm	KOB-YN01V00103R900	492.95
	YN01V00108F2	YU04-00801-	P-UB-1	85 mm		KOB-YN01V00103R100	189.23
	YN01V00108F2	YU04-00801-	N-N-10		125 mm	KOB-YN01V00103R800	303.74
	YN01V00108F3	YU04-00801-	P-UB-10	85 mm	125 mm	KOB-YN01V00103R900	492.95
	YN01V00108F3	YU04-00801-	P-UB-1	85 mm		KOB-YN01V00103R100	189.23
BOOM RH	YN01V00107F1	YU04-00801-	N-N-10		125 mm	KOB-YN01V00103R800	303.74
	YN01V00107F1	YU04-00801-	P-UB-10	85 mm	125 mm	KOB-YN01V00103R900	492.95
	YN01V00107F1	YU04-00801-	P-UB-1	85 mm		KOB-YN01V00103R100	189.23
	YN01V00107F1	YU04-00801-	N-N-10		125 mm	KOB-YN01V00103R800	303.74
	YN01V00107F2	YU04-00801-	P-UB-10	85 mm	125 mm	KOB-YN01V00103R900	492.95
	YN01V00107F2	YU04-00801-	P-UB-1	85 mm		KOB-YN01V00103R100	189.23
	YN01V00107F2	YU04-00801-	N-N-10		125 mm	KOB-YN01V00103R800	303.74
	YN01V00107F3	YU04-00801-	P-UB-10	85 mm	125 mm	KOB-YN01V00103R900	492.95
BUCKET	YN01V00107F3	YU04-00801-	P-UB-1	85 mm		KOB-YN01V00103R100	189.23
	YN01V00107F3	YU04-00801-	N-N-10		125 mm	KOB-YN01V00103R800	303.74
	YN01V00112F1	YU04-00801-	P-UB-10	80 mm	120 mm	KOB-YN01V00112R900	605.23
	YN01V00112F1	YU04-00801-	P-UB-1	80 mm		KOB-YN01V00112R100	221.73
	YN01V00112F1	YU04-00801-	N-N-10		120 mm	KOB-YN01V00112R800	377.97
	YN01V00112F2	YU04-00801-	P-UB-10	80 mm	120 mm	KOB-YN01V00112R900	605.23
	YN01V00112F2	YU04-00801-	P-UB-1	80 mm		KOB-YN01V00112R100	221.73
	YN01V00112F2	YU04-00801-	N-N-10		120 mm	KOB-YN01V00112R800	377.97
	YN01V00112F3	YU04-00801-	P-UB-10	80 mm	120 mm	KOB-YN01V00112R900	605.23
	YN01V00112F3	YU04-00801-	P-UB-1	80 mm		KOB-YN01V00112R100	221.73
	YN01V00112F3	YU04-00801-	N-N-10		120 mm	KOB-YN01V00112R800	377.97
	YN01V00112F4	YU04-00801-	P-UB-10	80 mm	120 mm	KOB-YN01V00112R900	605.23
	YN01V00112F4	YU04-00801-	P-UB-1	80 mm		KOB-YN01V00112R100	221.73
	YN01V00112F4	YU04-00801-	N-N-10		120 mm	KOB-YN01V00112R800	377.97
	YN01V00112F5	YU04-00801-	P-UB-10	80 mm	120 mm	KOB-YN01V00112R900	605.23
	YN01V00112F5	YU04-00801-	P-UB-1	80 mm		KOB-YN01V00112R100	221.73
YN01V00112F5	YU04-00801-	N-N-10		120 mm	KOB-YN01V00112R800	377.97	
MODEL SK235SRLC-2							
ARM	YN01V00175F1	YU05-02001-	P-UB-10	95 mm	135 mm	KOB-YN01V00175R300	630.92
	YN01V00175F1	YU05-02001-	P-UB-1	95 mm		KOB-YN01V00175R100	189.14
	YN01V00175F1	YU05-02001-	N-N-10		135 mm	KOB-YN01V00175R200	428.22
	YN01V00175F2	YU05-02001-	P-UB-10	95 mm	135 mm	KOB-YN01V00175R300	630.92
	YN01V00175F2	YU05-02001-	P-UB-1	95 mm		KOB-YN01V00175R100	189.14
	YN01V00175F2	YU05-02001-	N-N-10		135 mm	KOB-YN01V00175R200	428.22
BOOM	YF01V00001F1	YU05-02001-	P-UB-10	85 mm	125 mm	KOB-YF01V00001R300	516.29
	YF01V00001F1	YU05-02001-	P-UB-1	85 mm		KOB-LQ01V000030R100	154.30
	YF01V00001F1	YU05-02001-	N-N-10		125 mm	KOB-YF01V00001R200	361.99
BUCKET	YN01V00153F1	YU05-02001-	P-UB-10	80 mm	120 mm	KOB-YN01V00153R300	390.26
	YN01V00153F1	YU05-02001-	P-UB-1	80 mm		KOB-YN01V00153R100	191.48
	YN01V00153F1	YU05-02001-	N-N-10		120 mm	KOB-YN01V00151R600	190.11
	YN01V00153F2	YU05-02001-	P-UB-10	80 mm	120 mm	KOB-YN01V00153R300	390.26
	YN01V00153F2	YU05-02001-	P-UB-1	80 mm		KOB-YN01V00153R100	191.48
	YN01V00153F2	YU05-02001-	N-N-10		120 mm	KOB-YN01V00151R600	190.11
MODEL SK250 IV							
ARM	2438U1137F1	LQU0101-	P-UB-1	105 mm		KOB-2438U953R100	383.10
	2438U1137F1	LQU0101-	N-N-10		150 mm	KOB-2438U953R200	699.74
BOOM LH	2438U1136F1	LQU0101-	P-UB-10	90 mm	140 mm	KOB-2438U1135R300	540.07
	2438U1136F1	LQU0101-	P-UB-1	90 mm		KOB-2438U999R100	248.57
	2438U1136F1	LQU0101-	N-N-10		140 mm	KOB-2438U999R200	478.75

KOBELCO

Replacement Kits For

KOBELCO

KOBELCO

Excavators							
APPLICATION	CYL #	SERIAL #	CODE	ROD	BORE	KIT #	List \$
MODEL SK250 IV							
BOOM RH	2438U1135F1	LQU0101-	P-UB-10	90 mm	140 mm	KOB-2438U1135R300	540.07
	2438U1135F1	LQU0101-	P-UB-1	90 mm		KOB-2438U999R100	248.57
	2438U1135F1	LQU0101-	N-N-10		140 mm	KOB-2438U999R200	478.75
BUCKET	2438U1138F1	LQU0101-	P-UB-1	85 mm		KOB-2438U959R100	201.04
	2438U1138F1	LQU0101-	N-N-10		130 mm	KOB-2438U959R200	450.13
MODEL SK250-8							
ARM	LQ01V00038F1	LQ12-C5001-	P-UB-10	105 mm	145 mm	KOB-LQ01V00038R300	511.82
	LQ01V00038F1	LQ12-C5001-	P-UB-1	105 mm		KOB-LQ01V00038R100	209.50
	LQ01V00038F1	LQ12-C5001-	N-N-10		145 mm	KOB-LQ01V00038R200	310.16
	LQ01V00038F2	LQ12-C5001-	P-UB-10	105 mm	145 mm	KOB-LQ01V00038R300	511.82
	LQ01V00038F2	LQ12-C5001-	P-UB-1	105 mm		KOB-LQ01V00038R100	209.50
	LQ01V00038F2	LQ12-C5001-	N-N-10		145 mm	KOB-LQ01V00038R200	310.16
BOOM	LQ01V00028F1	LQ12-C5001-	P-UB-10	95 mm	135 mm	KOB-LQ01V00028R300	465.55
	LQ01V00028F1	LQ12-C5001-	P-UB-1	95 mm		KOB-YN01V00175R100	189.14
	LQ01V00028F1	LQ12-C5001-	N-N-10		135 mm	KOB-LQ01V00028R200	320.59
BUCKET	LQ01V00030F1	LQ12-C5001-	P-UB-10	85 mm	125 mm	KOB-LQ01V00030R300	497.59
	LQ01V00030F1	LQ12-C5001-	P-UB-1	85 mm		KOB-LQ01V00030R100	154.30
	LQ01V00030F1	LQ12-C5001-	N-N-10		125 mm	KOB-LQ01V00030R200	263.09
	LQ01V00030F2	LQ12-C5001-	P-UB-10	85 mm	125 mm	KOB-LQ01V00030R300	497.59
	LQ01V00030F2	LQ12-C5001-	P-UB-1	85 mm		KOB-LQ01V00030R100	154.30
	LQ01V00030F2	LQ12-C5001-	N-N-10		125 mm	KOB-LQ01V00030R200	263.09
MODEL SK250LC							
ARM	LQ01V00007F1	LL08U0101-	P-UB-10	100 mm	140 mm	KOB-LQ01V00007R300	415.76
	LQ01V00007F1	LL08U0101-	P-UB-1	100 mm		KOB-LQ01V00007R100	169.43
	LQ01V00007F1	LL08U0101-	N-N-10		140 mm	KOB-LQ01V00007R200	265.13
	LQ01V00007F1	LL08U0101-	Bushing	100 mm		KOB-2438U1104S4	74.83
BOOM LH	LQ01V00006F1	LL08U0101-	P-UB-10	90 mm	135 mm	KOB-LQ01V00005R300	465.92
	LQ01V00006F1	LL08U0101-	P-UB-1	90 mm		KOB-LQ01V00001R400	153.28
	LQ01V00006F1	LL08U0101-	N-N-10		135 mm	KOB-LQ01V00001R200	312.62
BOOM RH	LQ01V00005F1	LL08U0101-	P-UB-10	90 mm	135 mm	KOB-LQ01V00005R300	465.92
	LQ01V00005F1	LL08U0101-	P-UB-1	90 mm		KOB-LQ01V00001R400	153.28
	LQ01V00005F1	LL08U0101-	N-N-10		135 mm	KOB-LQ01V00001R200	312.62
BUCKET Long Reach	YX01V00005F2	LL08U0101-	P-UB-14	65 mm	95 mm	KOB-YX01V00005R300	159.85
	YX01V00005F2	LL08U0101-	P-UB-1	65 mm		KOB-YX01V00005R100	115.70
	YX01V00005F2	LL08U0101-	N-N-14		95 mm	KOB-YX01V00005R200	132.97
MODEL SK250LC IV							
ARM	2438U1137F1	LLU1201-	P-UB-1	105 mm		KOB-2438U953R100	383.10
	2438U1137F1	LLU1201-	N-N-10		150 mm	KOB-2438U953R200	699.74
	2438U1137F1	LLU1801-	P-UB-1	105 mm		KOB-2438U953R100	383.10
	2438U1137F1	LLU1801-	N-N-10		150 mm	KOB-2438U953R200	699.74
BOOM LH	2438U1136F1	LLU1201-	P-UB-10	90 mm	140 mm	KOB-2438U1135R300	540.07
	2438U1136F1	LLU1201-	P-UB-1	90 mm		KOB-2438U999R100	248.57
	2438U1136F1	LLU1201-	N-N-10		140 mm	KOB-2438U999R200	478.75
	2438U1136F1	LLU1801-	P-UB-10	90 mm	140 mm	KOB-2438U1135R300	540.07
	2438U1136F1	LLU1801-	P-UB-1	90 mm		KOB-2438U999R100	248.57
	2438U1136F1	LLU1801-	N-N-10		140 mm	KOB-2438U999R200	478.75
BOOM RH	2438U1135F1	LLU1201-	P-UB-10	90 mm	140 mm	KOB-2438U1135R300	540.07
	2438U1135F1	LLU1201-	P-UB-1	90 mm		KOB-2438U999R100	248.57
	2438U1135F1	LLU1201-	N-N-10		140 mm	KOB-2438U999R200	478.75
	2438U1135F1	LLU1801-	P-UB-10	90 mm	140 mm	KOB-2438U1135R300	540.07
	2438U1135F1	LLU1801-	P-UB-1	90 mm		KOB-2438U999R100	248.57
	2438U1135F1	LLU1801-	N-N-10		140 mm	KOB-2438U999R200	478.75
BUCKET	2438U1138F1	LLU1201-	P-UB-1	85 mm		KOB-2438U959R100	201.04
	2438U1138F1	LLU1201-	N-N-10		130 mm	KOB-2438U959R200	450.13

KOBELCO

Replacement Kits For

Excavators									
APPLICATION	CYL #	SERIAL #	CODE	ROD	BORE	KIT #	List \$		
MODEL SK250LC IV									
BUCKET	2438U1138F1	LLU1801-	P-UB-1	85 mm		KOB-2438U959R100	201.04		
	2438U1138F1	LLU1801-	N-N-10		130 mm	KOB-2438U959R200	450.13		
MODEL SK250LC-6E									
ARM	LQ01V00012F1	LLC-02001-	P-UB-10	100 mm	140 mm	KOB-LQ01V00007R300	415.76		
	LQ01V00012F1	LLC-02001-	P-UB-1	100 mm		KOB-LQ01V00007R100	169.43		
	LQ01V00012F1	LLC-02001-	N-N-10		140 mm	KOB-LQ01V00007R200	265.13		
	LQ01V00012F2	LLC-02001-	P-UB-10	100 mm	140 mm	KOB-LQ01V00007R300	415.76		
	LQ01V00012F2	LLC-02001-	P-UB-1	100 mm		KOB-LQ01V00007R100	169.43		
	LQ01V00012F2	LLC-02001-	N-N-10		140 mm	KOB-LQ01V00007R200	265.13		
	LQ01V00012F3	LLC-02001-	P-UB-10	100 mm	140 mm	KOB-LQ01V00007R300	415.76		
	LQ01V00012F3	LLC-02001-	P-UB-1	100 mm		KOB-LQ01V00007R100	169.43		
	LQ01V00012F3	LLC-02001-	N-N-10		140 mm	KOB-LQ01V00007R200	265.13		
	LQ01V00012F4	LL09U607-	P-UB-10	100 mm	140 mm	KOB-LQ01V00007R300	415.76		
	LQ01V00012F4	LL09U607-	P-UB-1	100 mm		KOB-LQ01V00007R100	169.43		
	LQ01V00012F4	LL09U607-	N-N-10		140 mm	KOB-LQ01V00007R200	265.13		
	LQ01V00012F4	LL09U607-	Bushing	100 mm		KOB-2438U1104S4	74.83		
	LQ01V00012F4	LLC-02001-	P-UB-10	100 mm	140 mm	KOB-LQ01V00007R300	415.76		
	LQ01V00012F4	LLC-02001-	P-UB-1	100 mm		KOB-LQ01V00007R100	169.43		
	LQ01V00012F4	LLC-02001-	N-N-10		140 mm	KOB-LQ01V00007R200	265.13		
	LQ01V00012F5	LLC-02001-	P-UB-10	100 mm	140 mm	KOB-LQ01V00007R300	415.76		
	LQ01V00012F5	LLC-02001-	P-UB-1	100 mm		KOB-LQ01V00007R100	169.43		
	LQ01V00012F5	LLC-02001-	N-N-10		140 mm	KOB-LQ01V00007R200	265.13		
	BOOM LH	LQ01V00011F1	LLC-02001-	P-UB-10	90 mm	135 mm	KOB-LQ01V00005R300	465.92	
		LQ01V00011F1	LLC-02001-	P-UB-1	90 mm		KOB-LQ01V00001R400	153.28	
LQ01V00011F1		LLC-02001-	N-N-10		135 mm	KOB-LQ01V00001R200	312.62		
LQ01V00011F2		LL09U607-	P-UB-10	90 mm	135 mm	KOB-LQ01V00005R300	465.92		
LQ01V00011F2		LL09U607-	P-UB-1	90 mm		KOB-LQ01V00001R400	153.28		
LQ01V00011F2		LL09U607-	N-N-10		135 mm	KOB-LQ01V00001R200	312.62		
LQ01V00011F2		LLC-02001-	P-UB-10	90 mm	135 mm	KOB-LQ01V00005R300	465.92		
LQ01V00011F2		LLC-02001-	P-UB-1	90 mm		KOB-LQ01V00001R400	153.28		
BOOM RH	LQ01V00010F1	LLC-02001-	P-UB-10	90 mm	135 mm	KOB-LQ01V00005R300	465.92		
	LQ01V00010F1	LLC-02001-	P-UB-1	90 mm		KOB-LQ01V00001R400	153.28		
	LQ01V00010F1	LLC-02001-	N-N-10		135 mm	KOB-LQ01V00001R200	312.62		
	LQ01V00010F2	LL09U607-	P-UB-10	90 mm	135 mm	KOB-LQ01V00005R300	465.92		
	LQ01V00010F2	LL09U607-	P-UB-1	90 mm		KOB-LQ01V00001R400	153.28		
	LQ01V00010F2	LL09U607-	N-N-10		135 mm	KOB-LQ01V00001R200	312.62		
	LQ01V00010F2	LLC-02001-	P-UB-10	90 mm	135 mm	KOB-LQ01V00005R300	465.92		
	LQ01V00010F2	LLC-02001-	P-UB-1	90 mm		KOB-LQ01V00001R400	153.28		
BUCKET	LQ01V00013F1	LLC-02001-	P-UB-10	90 mm	125 mm	KOB-YB01V00010R300	437.50		
	LQ01V00013F1	LLC-02001-	P-UB-1	90 mm		KOB-YB01V00010R100	168.06		
	LQ01V00013F1	LLC-02001-	N-N-10		125 mm	KOB-YM01V00008R200	269.44		
	LQ01V00013F2	LLC-02001-	P-UB-10	90 mm	125 mm	KOB-YB01V00010R300	437.50		
	LQ01V00013F2	LLC-02001-	P-UB-1	90 mm		KOB-YB01V00010R100	168.06		
	LQ01V00013F2	LLC-02001-	N-N-10		125 mm	KOB-YM01V00008R200	269.44		
	LQ01V00013F3	LLC-02001-	P-UB-10	90 mm	125 mm	KOB-YB01V00010R300	437.50		
	LQ01V00013F3	LLC-02001-	P-UB-1	90 mm		KOB-YB01V00010R100	168.06		
	LQ01V00013F3	LLC-02001-	N-N-10		125 mm	KOB-YM01V00008R200	269.44		
	LQ01V00013F4	LLC-02001-	P-UB-10	90 mm	125 mm	KOB-YB01V00010R300	437.50		
	LQ01V00013F4	LLC-02001-	P-UB-1	90 mm		KOB-YB01V00010R100	168.06		
	LQ01V00013F4	LLC-02001-	N-N-10		125 mm	KOB-YM01V00008R200	269.44		
	LQ01V00013F5	LL09U607-	P-UB-10	90 mm	125 mm	KOB-YB01V00010R300	437.50		
	LQ01V00013F5	LL09U607-	P-UB-1	90 mm		KOB-YB01V00010R100	168.06		
	LQ01V00013F5	LLC-02001-	P-UB-10	90 mm	125 mm	KOB-YB01V00010R300	437.50		

KOBELCO

KOBELCO

Replacement Kits For

Excavators							
APPLICATION	CYL #	SERIAL #	CODE	ROD	BORE	KIT #	List \$
MODEL SK250LC-6E							
BUCKET	LQ01V00013F5	LLC-02001-	P-UB-1	90 mm		KOB-YB01V00010R100	168.06
	LQ01V00013F5	LLC-02001-	N-N-10		125 mm	KOB-YM01V00008R200	269.44
BUCKET Long Reach	YX01V00005F4	LL09U607-	P-UB-14	65 mm	95 mm	KOB-YX01V00005R300	159.85
	YX01V00005F4	LL09U607-	P-UB-1	65 mm		KOB-YX01V00005R100	115.70
	YX01V00005F4	LL09U607-	N-N-14		95 mm	KOB-YX01V00005R200	132.97
MODEL SK250NLC IV							
ARM	2438U1137F1	LLU5059-	P-UB-1	105 mm		KOB-2438U953R100	383.10
	2438U1137F1	LLU5059-	N-N-10		150 mm	KOB-2438U953R200	699.74
BOOM LH	2438U1136F1	LLU5059-	P-UB-10	90 mm	140 mm	KOB-2438U1135R300	540.07
	2438U1136F1	LLU5059-	P-UB-1	90 mm		KOB-2438U999R100	248.57
	2438U1136F1	LLU5059-	N-N-10		140 mm	KOB-2438U999R200	478.75
BOOM RH	2438U1135F1	LLU5059-	P-UB-10	90 mm	140 mm	KOB-2438U1135R300	540.07
	2438U1135F1	LLU5059-	P-UB-1	90 mm		KOB-2438U999R100	248.57
	2438U1135F1	LLU5059-	N-N-10		140 mm	KOB-2438U999R200	478.75
BUCKET	2438U1138F1	LLU5059-	P-UB-1	85 mm		KOB-2438U959R100	201.04
	2438U1138F1	LLU5059-	N-N-10		130 mm	KOB-2438U959R200	450.13
MODEL SK260							
ARM	LQ01V00012F4		P-UB-10	100 mm	140 mm	KOB-LQ01V00007R300	415.76
	LQ01V00012F4		P-UB-1	100 mm		KOB-LQ01V00007R100	169.43
	LQ01V00012F4		N-N-10		140 mm	KOB-LQ01V00007R200	265.13
	LQ01V00012F4		Bushing	100 mm		KOB-2438U1104S4	74.83
	LQ01V00038F1		P-UB-10	105 mm	145 mm	KOB-LQ01V00038R300	511.82
	LQ01V00038F1		P-UB-1	105 mm		KOB-LQ01V00038R100	209.50
	LQ01V00038F1		N-N-10		145 mm	KOB-LQ01V00038R200	310.16
	LQ01V00038F2		P-UB-10	105 mm	145 mm	KOB-LQ01V00038R300	511.82
	LQ01V00038F2		P-UB-1	105 mm		KOB-LQ01V00038R100	209.50
	LQ01V00038F2		N-N-10		145 mm	KOB-LQ01V00038R200	310.16
BOOM	LQ01V00028F1		P-UB-10	95 mm	135 mm	KOB-LQ01V00028R300	465.55
	LQ01V00028F1		P-UB-1	95 mm		KOB-YN01V00175R100	189.14
	LQ01V00028F1		N-N-10		135 mm	KOB-LQ01V00028R200	320.59
BUCKET	LQ01V00030F1		P-UB-10	85 mm	125 mm	KOB-LQ01V00030R300	497.59
	LQ01V00030F1		P-UB-1	85 mm		KOB-LQ01V00030R100	154.30
	LQ01V00030F1		N-N-10		125 mm	KOB-LQ01V00030R200	263.09
	LQ01V00030F2		P-UB-10	85 mm	125 mm	KOB-LQ01V00030R300	497.59
	LQ01V00030F2		P-UB-1	85 mm		KOB-LQ01V00030R100	154.30
	LQ01V00030F2		N-N-10		125 mm	KOB-LQ01V00030R200	263.09
MODEL SK260LC-8							
ARM	LQ01V00038F1	LL12-C5001-	P-UB-10	105 mm	145 mm	KOB-LQ01V00038R300	511.82
	LQ01V00038F1	LL12-C5001-	P-UB-1	105 mm		KOB-LQ01V00038R100	209.50
	LQ01V00038F1	LL12-C5001-	N-N-10		145 mm	KOB-LQ01V00038R200	310.16
	LQ01V00038F2	LL12-C5001-	P-UB-10	105 mm	145 mm	KOB-LQ01V00038R300	511.82
	LQ01V00038F2	LL12-C5001-	P-UB-1	105 mm		KOB-LQ01V00038R100	209.50
	LQ01V00038F2	LL12-C5001-	N-N-10		145 mm	KOB-LQ01V00038R200	310.16
BOOM	LQ01V00028F1	LL12-C5001-	P-UB-10	95 mm	135 mm	KOB-LQ01V00028R300	465.55
	LQ01V00028F1	LL12-C5001-	P-UB-1	95 mm		KOB-YN01V00175R100	189.14
	LQ01V00028F1	LL12-C5001-	N-N-10		135 mm	KOB-LQ01V00028R200	320.59
BUCKET	LQ01V00030F1	LL12-C5001-	P-UB-10	85 mm	125 mm	KOB-LQ01V00030R300	497.59
	LQ01V00030F1	LL12-C5001-	P-UB-1	85 mm		KOB-LQ01V00030R100	154.30
	LQ01V00030F1	LL12-C5001-	N-N-10		125 mm	KOB-LQ01V00030R200	263.09
	LQ01V00030F2	LL12-C5001-	P-UB-10	85 mm	125 mm	KOB-LQ01V00030R300	497.59
	LQ01V00030F2	LL12-C5001-	P-UB-1	85 mm		KOB-LQ01V00030R100	154.30
	LQ01V00030F2	LL12-C5001-	N-N-10		125 mm	KOB-LQ01V00030R200	263.09
MODEL SK290LC							
BOOM LH	LB01V00002F1	LB03U0101-	P-UB-10	100 mm	140 mm	KOB-LC01V00001R300	462.89

KOBELCO

KOBELCO

Replacement Kits For

Excavators								
APPLICATION	CYL #	SERIAL #	CODE	ROD	BORE	KIT #	List \$	
MODEL SK290LC								
BOOM LH	LB01V00002F1	LB03U0101-	P-UB-1	100 mm		KOB-LQ01V00007R100	169.43	
	LB01V00002F1	LB03U0101-	N-N-10		140 mm	KOB-LC01V00001R200	326.22	
	LB01V00002F1	LB03U0101-	Bushing	100 mm		KOB-2438U1104S4	74.83	
BOOM RH	LB01V00001F1	LB03U0101-	P-UB-10	100 mm	140 mm	KOB-LC01V00001R300	462.89	
	LB01V00001F1	LB03U0101-	P-UB-1	100 mm		KOB-LQ01V00007R100	169.43	
	LB01V00001F1	LB03U0101-	N-N-10		140 mm	KOB-LC01V00001R200	326.22	
	LB01V00001F1	LB03U0101-	Bushing	100 mm		KOB-2438U1104S4	74.83	
MODEL SK290LC-6E								
BOOM LH	LB01V00005F1	LB04U02801-	P-UB-10	100 mm	140 mm	KOB-LC01V00001R300	462.89	
	LB01V00005F1	LB04U02801-	P-UB-1	100 mm		KOB-LQ01V00007R100	169.43	
	LB01V00005F1	LB04U02801-	N-N-10		140 mm	KOB-LC01V00001R200	326.22	
	LB01V00005F1	LB04U02801-	Bushing	100 mm		KOB-2438U1104S4	74.83	
	LB01V00005F1	LB04U0298-LB04U02800	P-UB-10	100 mm	140 mm	KOB-LC01V00001R300	462.89	
	LB01V00005F1	LB04U0298-LB04U02800	P-UB-1	100 mm		KOB-LQ01V00007R100	169.43	
	LB01V00005F1	LB04U0298-LB04U02800	N-N-10		140 mm	KOB-LC01V00001R200	326.22	
	LB01V00005F1	LB04U0298-LB04U02800	Bushing	100 mm		KOB-2438U1104S4	74.83	
	LB01V00005F2	LB04U02801-	P-UB-10	100 mm	140 mm	KOB-LC01V00001R300	462.89	
	LB01V00005F2	LB04U02801-	P-UB-1	100 mm		KOB-LQ01V00007R100	169.43	
	LB01V00005F2	LB04U02801-	N-N-10		140 mm	KOB-LC01V00001R200	326.22	
	LB01V00005F2	LB04U02801-	Bushing	100 mm		KOB-2438U1104S4	74.83	
	LB01V00005F2	LB04U0298-LB04U02800	P-UB-10	100 mm	140 mm	KOB-LC01V00001R300	462.89	
	LB01V00005F2	LB04U0298-LB04U02800	P-UB-1	100 mm		KOB-LQ01V00007R100	169.43	
	LB01V00005F2	LB04U0298-LB04U02800	N-N-10		140 mm	KOB-LC01V00001R200	326.22	
	LB01V00005F2	LB04U0298-LB04U02800	Bushing	100 mm		KOB-2438U1104S4	74.83	
	BOOM RH	LB01V00006F1	LB04U02801-	P-UB-10	100 mm	140 mm	KOB-LC01V00001R300	462.89
		LB01V00006F1	LB04U02801-	P-UB-1	100 mm		KOB-LQ01V00007R100	169.43
LB01V00006F1		LB04U02801-	N-N-10		140 mm	KOB-LC01V00001R200	326.22	
LB01V00006F1		LB04U02801-	Bushing	100 mm		KOB-2438U1104S4	74.83	
LB01V00006F1		LB04U0298-LB04U02800	P-UB-10	100 mm	140 mm	KOB-LC01V00001R300	462.89	
LB01V00006F1		LB04U0298-LB04U02800	P-UB-1	100 mm		KOB-LQ01V00007R100	169.43	
LB01V00006F1		LB04U0298-LB04U02800	N-N-10		140 mm	KOB-LC01V00001R200	326.22	
LB01V00006F1		LB04U0298-LB04U02800	Bushing	100 mm		KOB-2438U1104S4	74.83	
LB01V00006F2		LB04U02801-	P-UB-10	100 mm	140 mm	KOB-LC01V00001R300	462.89	
LB01V00006F2		LB04U02801-	P-UB-1	100 mm		KOB-LQ01V00007R100	169.43	
LB01V00006F2		LB04U02801-	N-N-10		140 mm	KOB-LC01V00001R200	326.22	
LB01V00006F2		LB04U02801-	Bushing	100 mm		KOB-2438U1104S4	74.83	
LB01V00006F2		LB04U0298-LB04U02800	P-UB-10	100 mm	140 mm	KOB-LC01V00001R300	462.89	
LB01V00006F2		LB04U0298-LB04U02800	P-UB-1	100 mm		KOB-LQ01V00007R100	169.43	
LB01V00006F2		LB04U0298-LB04U02800	N-N-10		140 mm	KOB-LC01V00001R200	326.22	
LB01V00006F2		LB04U0298-LB04U02800	Bushing	100 mm		KOB-2438U1104S4	74.83	
BUCKET Long Reach		YM01V00009F2	LB04U02801-	P-UB-10	75 mm	105 mm	KOB-YM01V00009R300	433.77
		YM01V00009F2	LB04U02801-	P-UB-1	75 mm		KOB-YM01V00009R100	144.95
	YM01V00009F2	LB04U02801-	N-N-10		105 mm	KOB-YM01V00009R200	288.81	
	YM01V00009F2	LB04U0298-LB04U02800	P-UB-10	75 mm	105 mm	KOB-YM01V00009R300	433.77	
	YM01V00009F2	LB04U0298-LB04U02800	P-UB-1	75 mm		KOB-YM01V00009R100	144.95	
	YM01V00009F2	LB04U0298-LB04U02800	N-N-10		105 mm	KOB-YM01V00009R200	288.81	
MODEL SK300 III								
ARM	2438U11071F1-F4	LCU0001-	P-UB-10	120 mm	170 mm	KOB-2438U1171R300	810.43	
	2438U11071F1-F4	LCU0001-	P-UB-1	120 mm		KOB-2438U1171R100	280.86	
	2438U11071F1-F4	LCU0001-	N-N-10		170 mm	KOB-2438U1171R200	529.60	
BOOM LH	2438U1177F1-F4	LCU0001-	P-UB-10	100 mm	150 mm	KOB-2438U1170R300	561.20	
	2438U1177F1-F4	LCU0001-	P-UB-1	100 mm		KOB-2438U1170R100	202.90	
	2438U1177F1-F4	LCU0001-	N-N-10		150 mm	KOB-2438U1172R400	366.52	
BOOM RH	2438U1170F1-F4	LCU0001-	P-UB-10	100 mm	150 mm	KOB-2438U1170R300	561.20	

KOBELCO

KOBELCO

Replacement Kits For

Excavators							
APPLICATION	CYL #	SERIAL #	CODE	ROD	BORE	KIT #	List \$
MODEL SK300 III							
BOOM RH	2438U1170F1-F4	LCU0001-	P-UB-1	100 mm		KOB-2438U1170R100	202.90
	2438U1170F1-F4	LCU0001-	N-N-10		150 mm	KOB-2438U1172R400	366.52
BUCKET	2438U1172F1-F5	LCU0001-	P-UB-10	100 mm	150 mm	KOB-2438U1172R500	764.12
	2438U1172F1-F5	LCU0001-	N-N-10		150 mm	KOB-2438U1172R200	358.32
MODEL SK300 IV							
ARM	2438U11071F1-F4	LCU0101-	P-UB-10	120 mm	170 mm	KOB-2438U1171R300	810.43
	2438U11071F1-F4	LCU0101-	P-UB-1	120 mm		KOB-2438U1171R100	280.86
	2438U11071F1-F4	LCU0101-	N-N-10		170 mm	KOB-2438U1171R200	529.60
BOOM LH	2438U1177F1-F4	LCU0101-	P-UB-10	100 mm	150 mm	KOB-2438U1170R300	561.20
	2438U1177F1-F4	LCU0101-	P-UB-1	100 mm		KOB-2438U1170R100	202.90
	2438U1177F1-F4	LCU0101-	N-N-10		150 mm	KOB-2438U1172R400	366.52
BOOM RH	2438U1170F1-F4	LCU0101-	P-UB-10	100 mm	150 mm	KOB-2438U1170R300	561.20
	2438U1170F1-F4	LCU0101-	P-UB-1	100 mm		KOB-2438U1170R100	202.90
	2438U1170F1-F4	LCU0101-	N-N-10		150 mm	KOB-2438U1172R400	366.52
BUCKET	2438U1172F1-F5	LCU0101-	P-UB-10	100 mm	150 mm	KOB-2438U1172R500	764.12
	2438U1172F1-F5	LCU0101-	N-N-10		150 mm	KOB-2438U1172R200	358.32
MODEL SK300LC III							
ARM	2438U11071F1-F4	YCU0001-	P-UB-10	120 mm	170 mm	KOB-2438U1171R300	810.43
	2438U11071F1-F4	YCU0001-	P-UB-1	120 mm		KOB-2438U1171R100	280.86
	2438U11071F1-F4	YCU0001-	N-N-10		170 mm	KOB-2438U1171R200	529.60
BOOM LH	2438U1177F1-F4	YCU0001-	P-UB-10	100 mm	150 mm	KOB-2438U1170R300	561.20
	2438U1177F1-F4	YCU0001-	P-UB-1	100 mm		KOB-2438U1170R100	202.90
	2438U1177F1-F4	YCU0001-	N-N-10		150 mm	KOB-2438U1172R400	366.52
BOOM RH	2438U1170F1-F4	YCU0001-	P-UB-10	100 mm	150 mm	KOB-2438U1170R300	561.20
	2438U1170F1-F4	YCU0001-	P-UB-1	100 mm		KOB-2438U1170R100	202.90
	2438U1170F1-F4	YCU0001-	N-N-10		150 mm	KOB-2438U1172R400	366.52
BUCKET	2438U1172F1-F5	YCU0001-	P-UB-10	100 mm	150 mm	KOB-2438U1172R500	764.12
	2438U1172F1-F5	YCU0001-	N-N-10		150 mm	KOB-2438U1172R200	358.32
MODEL SK300LC IV							
ARM	2438U11071F1-F4	YCU0603, YCU0607, YCU0611-	P-UB-10	120 mm	170 mm	KOB-2438U1171R300	810.43
	2438U11071F1-F4	YCU0603, YCU0607, YCU0611-	P-UB-1	120 mm		KOB-2438U1171R100	280.86
	2438U11071F1-F4	YCU0603, YCU0607, YCU0611-	N-N-10		170 mm	KOB-2438U1171R200	529.60
BOOM LH	2438U1177F1-F4	YCU0603, YCU0607, YCU0611-	P-UB-10	100 mm	150 mm	KOB-2438U1170R300	561.20
	2438U1177F1-F4	YCU0603, YCU0607, YCU0611-	P-UB-1	100 mm		KOB-2438U1170R100	202.90
	2438U1177F1-F4	YCU0603, YCU0607, YCU0611-	N-N-10		150 mm	KOB-2438U1172R400	366.52
BOOM RH	2438U1170F1-F4	YCU0603, YCU0607, YCU0611-	P-UB-10	100 mm	150 mm	KOB-2438U1170R300	561.20
	2438U1170F1-F4	YCU0603, YCU0607, YCU0611-	P-UB-1	100 mm		KOB-2438U1170R100	202.90
	2438U1170F1-F4	YCU0603, YCU0607, YCU0611-	N-N-10		150 mm	KOB-2438U1172R400	366.52
BUCKET	2438U1172F1-F5	YCU0603, YCU0607, YCU0611-	P-UB-10	100 mm	150 mm	KOB-2438U1172R500	764.12
	2438U1172F1-F5	YCU0603, YCU0607, YCU0611-	N-N-10		150 mm	KOB-2438U1172R200	358.32
MODEL SK310 III							
ARM	2438U1129F1	LC04201-	P-UB-10	120 mm	180 mm	KOB-2438U1129R300	706.70
	2438U1129F1	LC04201-	P-UB-1	120 mm		KOB-2438U1129R100	256.98
	2438U1129F1	LC04201-	N-N-10		180 mm	KOB-2445R174R200	449.69
	2438U1137F1	LC04201-	P-UB-10	105 mm	150 mm	KOB-2438U1137R200	554.34
	2438U1137F1	LC04201-	P-UB-1	105 mm		KOB-2438U1137R100	326.73

KOBELCO

KOBELCO

Replacement Kits For

Excavators								
APPLICATION	CYL #	SERIAL #	CODE	ROD	BORE	KIT #	List \$	
MODEL SK310 III								
ARM	2438U1137F1	LC04201-	N-N-10		150 mm	KOB-2438U953R200	699.74	
	2438U1171F1	LC04201-	P-UB-10	120 mm	170 mm	KOB-2438U1171R300	810.43	
	2438U1171F1	LC04201-	P-UB-1	120 mm		KOB-2438U1171R100	280.86	
	2438U1171F1	LC04201-	N-N-10		170 mm	KOB-2438U1171R200	529.60	
	2438U1171F2	LC04201-	P-UB-10	120 mm	170 mm	KOB-2438U1171R300	810.43	
	2438U1171F2	LC04201-	P-UB-1	120 mm		KOB-2438U1171R100	280.86	
	2438U1171F2	LC04201-	N-N-10		170 mm	KOB-2438U1171R200	529.60	
	2438U1171F3	LC04201-	P-UB-10	120 mm	170 mm	KOB-2438U1171R300	810.43	
	2438U1171F3	LC04201-	P-UB-1	120 mm		KOB-2438U1171R100	280.86	
	2438U1171F3	LC04201-	N-N-10		170 mm	KOB-2438U1171R200	529.60	
	2438U1171F4	LC04201-	P-UB-10	120 mm	170 mm	KOB-2438U1171R300	810.43	
	2438U1171F4	LC04201-	P-UB-1	120 mm		KOB-2438U1171R100	280.86	
	2438U1171F4	LC04201-	N-N-10		170 mm	KOB-2438U1171R200	529.60	
	BOOM LH	2438U1177F1	LC04201-	P-UB-10	100 mm	150 mm	KOB-2438U1170R300	561.20
2438U1177F1		LC04201-	P-UB-1	100 mm		KOB-2438U1170R100	202.90	
2438U1177F1		LC04201-	N-N-10		150 mm	KOB-2438U1170R200	350.60	
2438U1177F2		LC04201-	P-UB-10	100 mm	150 mm	KOB-2438U1170R300	561.20	
2438U1177F2		LC04201-	P-UB-1	100 mm		KOB-2438U1170R100	202.90	
2438U1177F2		LC04201-	N-N-10		150 mm	KOB-2438U1170R200	350.60	
2438U1177F3		LC04201-	P-UB-10	100 mm	150 mm	KOB-2438U1170R300	561.20	
2438U1177F3		LC04201-	P-UB-1	100 mm		KOB-2438U1170R100	202.90	
2438U1177F3		LC04201-	N-N-10		150 mm	KOB-2438U1170R200	350.60	
2438U1177F4		LC04201-	P-UB-10	100 mm	150 mm	KOB-2438U1170R300	561.20	
2438U1177F4		LC04201-	P-UB-1	100 mm		KOB-2438U1170R100	202.90	
2438U1177F4		LC04201-	N-N-10		150 mm	KOB-2438U1170R200	350.60	
BOOM RH		2438U1170F1	LC04201-	P-UB-10	100 mm	150 mm	KOB-2438U1170R300	561.20
		2438U1170F1	LC04201-	P-UB-1	100 mm		KOB-2438U1170R100	202.90
	2438U1170F1	LC04201-	N-N-10		150 mm	KOB-2438U1170R200	350.60	
	2438U1170F2	LC04201-	P-UB-10	100 mm	150 mm	KOB-2438U1170R300	561.20	
	2438U1170F2	LC04201-	P-UB-1	100 mm		KOB-2438U1170R100	202.90	
	2438U1170F2	LC04201-	N-N-10		150 mm	KOB-2438U1170R200	350.60	
	2438U1170F3	LC04201-	P-UB-10	100 mm	150 mm	KOB-2438U1170R300	561.20	
	2438U1170F3	LC04201-	P-UB-1	100 mm		KOB-2438U1170R100	202.90	
	2438U1170F3	LC04201-	N-N-10		150 mm	KOB-2438U1170R200	350.60	
	2438U1170F4	LC04201-	P-UB-10	100 mm	150 mm	KOB-2438U1170R300	561.20	
	2438U1170F4	LC04201-	P-UB-1	100 mm		KOB-2438U1170R100	202.90	
	2438U1170F4	LC04201-	N-N-10		150 mm	KOB-2438U1170R200	350.60	
	BUCKET	2438U1105F1	LC04201-	P-UB-10	80 mm	120 mm	KOB-2438U1105R500	387.06
		2438U1105F1	LC04201-	P-UB-1	80 mm		KOB-2438U1105R400	178.77
2438U1105F1		LC04201-	N-N-10		120 mm	KOB-2438U1105R200	234.85	
2438U1172F1		LC04201-	P-UB-10	100 mm	150 mm	KOB-2438U1172R300	636.64	
2438U1172F1		LC04201-	N-N-10		150 mm	KOB-2438U1172R200	358.32	
2438U1172F2		LC04201-	N-N-10		150 mm	KOB-2438U1172R400	366.52	
2438U1172F3		LC04201-	P-UB-10	100 mm	150 mm	KOB-2438U1172R500	764.12	
2438U1172F3		LC04201-	N-N-10		150 mm	KOB-2438U1172R400	366.52	
2438U1172F4		LC04201-	P-UB-10	100 mm	150 mm	KOB-2438U1172R500	764.12	
2438U1172F4		LC04201-	P-UB-1	100 mm		KOB-2438U1172R100	309.92	
2438U1172F4		LC04201-	N-N-10		150 mm	KOB-2438U1172R400	366.52	
2438U1172F5		LC04201-	P-UB-10	100 mm	150 mm	KOB-2438U1172R500	764.12	
2438U1172F5		LC04201-	P-UB-1	100 mm		KOB-2438U1172R100	309.92	
2438U1172F5		LC04201-	N-N-10		150 mm	KOB-2438U1172R400	366.52	
MODEL SK310LC III								
ARM	2438U1129F1	YC01301-	P-UB-10	120 mm	180 mm	KOB-2438U1129R300	706.70	
	2438U1129F1	YC01301-	P-UB-1	120 mm		KOB-2438U1129R100	256.98	
	2438U1129F1	YC01301-	N-N-10		180 mm	KOB-2445R174R200	449.69	

KOBELCO

KOBELCO

Replacement Kits For

Excavators								
APPLICATION	CYL #	SERIAL #	CODE	ROD	BORE	KIT #	List \$	
MODEL SK310LC III								
ARM	2438U1137F1	YC01301-	P-UB-10	105 mm	150 mm	KOB-2438U1137R200	554.34	
	2438U1137F1	YC01301-	P-UB-1	105 mm		KOB-2438U1137R100	326.73	
	2438U1137F1	YC01301-	N-N-10		150 mm	KOB-2438U953R200	699.74	
	2438U1171F1	YC01301-	P-UB-10	120 mm	170 mm	KOB-2438U1171R300	810.43	
	2438U1171F1	YC01301-	P-UB-1	120 mm		KOB-2438U1171R100	280.86	
	2438U1171F1	YC01301-	N-N-10		170 mm	KOB-2438U1171R200	529.60	
	2438U1171F2	YC01301-	P-UB-10	120 mm	170 mm	KOB-2438U1171R300	810.43	
	2438U1171F2	YC01301-	P-UB-1	120 mm		KOB-2438U1171R100	280.86	
	2438U1171F2	YC01301-	N-N-10		170 mm	KOB-2438U1171R200	529.60	
	2438U1171F3	YC01301-	P-UB-10	120 mm	170 mm	KOB-2438U1171R300	810.43	
	2438U1171F3	YC01301-	P-UB-1	120 mm		KOB-2438U1171R100	280.86	
	2438U1171F3	YC01301-	N-N-10		170 mm	KOB-2438U1171R200	529.60	
	2438U1171F4	YC01301-	P-UB-10	120 mm	170 mm	KOB-2438U1171R300	810.43	
	2438U1171F4	YC01301-	P-UB-1	120 mm		KOB-2438U1171R100	280.86	
2438U1171F4	YC01301-	N-N-10		150 mm	KOB-2438U1170R200	350.60		
BOOM LH	2438U1177F1	YC01301-	P-UB-10	100 mm	150 mm	KOB-2438U1170R300	561.20	
	2438U1177F1	YC01301-	P-UB-1	100 mm		KOB-2438U1170R100	202.90	
	2438U1177F1	YC01301-	N-N-10		150 mm	KOB-2438U1170R200	350.60	
	2438U1177F2	YC01301-	P-UB-10	100 mm	150 mm	KOB-2438U1170R300	561.20	
	2438U1177F2	YC01301-	P-UB-1	100 mm		KOB-2438U1170R100	202.90	
	2438U1177F2	YC01301-	N-N-10		150 mm	KOB-2438U1170R200	350.60	
	2438U1177F3	YC01301-	P-UB-10	100 mm	150 mm	KOB-2438U1170R300	561.20	
	2438U1177F3	YC01301-	P-UB-1	100 mm		KOB-2438U1170R100	202.90	
	2438U1177F3	YC01301-	N-N-10		150 mm	KOB-2438U1170R200	350.60	
	2438U1177F4	YC01301-	P-UB-10	100 mm	150 mm	KOB-2438U1170R300	561.20	
	2438U1177F4	YC01301-	P-UB-1	100 mm		KOB-2438U1170R100	202.90	
	2438U1177F4	YC01301-	N-N-10		150 mm	KOB-2438U1170R200	350.60	
	BOOM RH	2438U1170F1	YC01301-	P-UB-10	100 mm	150 mm	KOB-2438U1170R300	561.20
		2438U1170F1	YC01301-	P-UB-1	100 mm		KOB-2438U1170R100	202.90
2438U1170F1		YC01301-	N-N-10		150 mm	KOB-2438U1170R200	350.60	
2438U1170F2		YC01301-	P-UB-10	100 mm	150 mm	KOB-2438U1170R300	561.20	
2438U1170F2		YC01301-	P-UB-1	100 mm		KOB-2438U1170R100	202.90	
2438U1170F2		YC01301-	N-N-10		150 mm	KOB-2438U1170R200	350.60	
2438U1170F3		YC01301-	P-UB-10	100 mm	150 mm	KOB-2438U1170R300	561.20	
2438U1170F3		YC01301-	P-UB-1	100 mm		KOB-2438U1170R100	202.90	
2438U1170F3		YC01301-	N-N-10		150 mm	KOB-2438U1170R200	350.60	
2438U1170F4		YC01301-	P-UB-10	100 mm	150 mm	KOB-2438U1170R300	561.20	
2438U1170F4		YC01301-	P-UB-1	100 mm		KOB-2438U1170R100	202.90	
2438U1170F4		YC01301-	N-N-10		150 mm	KOB-2438U1170R200	350.60	
BUCKET		2438U1105F1	YC01301-	P-UB-10	80 mm	120 mm	KOB-2438U1105R500	387.06
		2438U1105F1	YC01301-	P-UB-1	80 mm		KOB-2438U1105R400	178.77
	2438U1105F1	YC01301-	N-N-10		120 mm	KOB-2438U1105R200	234.85	
	2438U1172F1	YC01301-	P-UB-10	100 mm	150 mm	KOB-2438U1172R300	636.64	
	2438U1172F1	YC01301-	N-N-10		150 mm	KOB-2438U1172R200	358.32	
	2438U1172F2	YC01301-	N-N-10		150 mm	KOB-2438U1172R400	366.52	
	2438U1172F3	YC01301-	P-UB-10	100 mm	150 mm	KOB-2438U1172R500	764.12	
	2438U1172F3	YC01301-	N-N-10		150 mm	KOB-2438U1172R400	366.52	
	2438U1172F4	YC01301-	P-UB-10	100 mm	150 mm	KOB-2438U1172R500	764.12	
	2438U1172F4	YC01301-	P-UB-1	100 mm		KOB-2438U1172R100	309.92	
	2438U1172F4	YC01301-	N-N-10		150 mm	KOB-2438U1172R400	366.52	
	2438U1172F5	YC01301-	P-UB-10	100 mm	150 mm	KOB-2438U1172R500	764.12	
	2438U1172F5	YC01301-	P-UB-1	100 mm		KOB-2438U1172R100	309.92	
	2438U1172F5	YC01301-	N-N-10		150 mm	KOB-2438U1172R400	366.52	
MODEL SK320 III								
ARM	2438U1129F1	LC04201-	P-UB-10	120 mm	180 mm	KOB-2438U1129R300	706.70	

KOBELCO

KOBELCO

Replacement Kits For

Excavators								
APPLICATION	CYL #	SERIAL #	CODE	ROD	BORE	KIT #	List \$	
MODEL SK320 III								
ARM	2438U1129F1	LC04201-	P-UB-1	120 mm		KOB-2438U1129R100	256.98	
	2438U1129F1	LC04201-	N-N-10		180 mm	KOB-2445R174R200	449.69	
	2438U1137F1	LC04201-	P-UB-10	105 mm	150 mm	KOB-2438U1137R200	554.34	
	2438U1137F1	LC04201-	P-UB-1	105 mm		KOB-2438U1137R100	326.73	
	2438U1137F1	LC04201-	N-N-10		150 mm	KOB-2438U953R200	699.74	
	2438U1171F1	LC04201-	P-UB-10	120 mm	170 mm	KOB-2438U1171R300	810.43	
	2438U1171F1	LC04201-	P-UB-1	120 mm		KOB-2438U1171R100	280.86	
	2438U1171F1	LC04201-	N-N-10		170 mm	KOB-2438U1171R200	529.60	
	2438U1171F2	LC04201-	P-UB-10	120 mm	170 mm	KOB-2438U1171R300	810.43	
	2438U1171F2	LC04201-	P-UB-1	120 mm		KOB-2438U1171R100	280.86	
	2438U1171F2	LC04201-	N-N-10		170 mm	KOB-2438U1171R200	529.60	
	2438U1171F3	LC04201-	P-UB-10	120 mm	170 mm	KOB-2438U1171R300	810.43	
	2438U1171F3	LC04201-	P-UB-1	120 mm		KOB-2438U1171R100	280.86	
	2438U1171F3	LC04201-	N-N-10		170 mm	KOB-2438U1171R200	529.60	
	2438U1171F4	LC04201-	P-UB-10	120 mm	170 mm	KOB-2438U1171R300	810.43	
	2438U1171F4	LC04201-	P-UB-1	120 mm		KOB-2438U1171R100	280.86	
2438U1171F4	LC04201-	N-N-10		170 mm	KOB-2438U1171R200	529.60		
BOOM LH	2438U1177F1	LC04201-	P-UB-10	100 mm	150 mm	KOB-2438U1170R300	561.20	
	2438U1177F1	LC04201-	P-UB-1	100 mm		KOB-2438U1170R100	202.90	
	2438U1177F1	LC04201-	N-N-10		150 mm	KOB-2438U1170R200	350.60	
	2438U1177F2	LC04201-	P-UB-10	100 mm	150 mm	KOB-2438U1170R300	561.20	
	2438U1177F2	LC04201-	P-UB-1	100 mm		KOB-2438U1170R100	202.90	
	2438U1177F2	LC04201-	N-N-10		150 mm	KOB-2438U1170R200	350.60	
	2438U1177F3	LC04201-	P-UB-10	100 mm	150 mm	KOB-2438U1170R300	561.20	
	2438U1177F3	LC04201-	P-UB-1	100 mm		KOB-2438U1170R100	202.90	
	2438U1177F3	LC04201-	N-N-10		150 mm	KOB-2438U1170R200	350.60	
	2438U1177F4	LC04201-	P-UB-10	100 mm	150 mm	KOB-2438U1170R300	561.20	
	2438U1177F4	LC04201-	P-UB-1	100 mm		KOB-2438U1170R100	202.90	
	2438U1177F4	LC04201-	N-N-10		150 mm	KOB-2438U1170R200	350.60	
	BOOM RH	2438U1170F1	LC04201-	P-UB-10	100 mm	150 mm	KOB-2438U1170R300	561.20
		2438U1170F1	LC04201-	P-UB-1	100 mm		KOB-2438U1170R100	202.90
2438U1170F1		LC04201-	N-N-10		150 mm	KOB-2438U1170R200	350.60	
2438U1170F2		LC04201-	P-UB-10	100 mm	150 mm	KOB-2438U1170R300	561.20	
2438U1170F2		LC04201-	P-UB-1	100 mm		KOB-2438U1170R100	202.90	
2438U1170F2		LC04201-	N-N-10		150 mm	KOB-2438U1170R200	350.60	
2438U1170F3		LC04201-	P-UB-10	100 mm	150 mm	KOB-2438U1170R300	561.20	
2438U1170F3		LC04201-	P-UB-1	100 mm		KOB-2438U1170R100	202.90	
2438U1170F3		LC04201-	N-N-10		150 mm	KOB-2438U1170R200	350.60	
2438U1170F4		LC04201-	P-UB-10	100 mm	150 mm	KOB-2438U1170R300	561.20	
2438U1170F4		LC04201-	P-UB-1	100 mm		KOB-2438U1170R100	202.90	
2438U1170F4		LC04201-	N-N-10		150 mm	KOB-2438U1170R200	350.60	
BUCKET		2438U1105F1	LC04201-	P-UB-10	80 mm	120 mm	KOB-2438U1105R500	387.06
		2438U1105F1	LC04201-	P-UB-1	80 mm		KOB-2438U1105R400	178.77
	2438U1105F1	LC04201-	N-N-10		120 mm	KOB-2438U1105R200	234.85	
	2438U1172F1	LC04201-	P-UB-10	100 mm	150 mm	KOB-2438U1172R300	636.64	
	2438U1172F1	LC04201-	N-N-10		150 mm	KOB-2438U1172R200	358.32	
	2438U1172F2	LC04201-	N-N-10		150 mm	KOB-2438U1172R400	366.52	
	2438U1172F3	LC04201-	P-UB-10	100 mm	150 mm	KOB-2438U1172R500	764.12	
	2438U1172F3	LC04201-	N-N-10		150 mm	KOB-2438U1172R400	366.52	
	2438U1172F4	LC04201-	P-UB-10	100 mm	150 mm	KOB-2438U1172R500	764.12	
	2438U1172F4	LC04201-	P-UB-1	100 mm		KOB-2438U1172R100	309.92	
	2438U1172F4	LC04201-	N-N-10		150 mm	KOB-2438U1172R400	366.52	
	2438U1172F5	LC04201-	P-UB-10	100 mm	150 mm	KOB-2438U1172R500	764.12	
	2438U1172F5	LC04201-	P-UB-1	100 mm		KOB-2438U1172R100	309.92	
	2438U1172F5	LC04201-	N-N-10		150 mm	KOB-2438U1172R400	366.52	

KOBELCO

KOBELCO

Replacement Kits For

Excavators								
APPLICATION	CYL #	SERIAL #	CODE	ROD	BORE	KIT #	List \$	
MODEL	SK320LC III							
ARM	2438U1129F1	YC01301-	P-UB-10	120 mm	180 mm	KOB-2438U1129R300	706.70	
	2438U1129F1	YC01301-	P-UB-1	120 mm		KOB-2438U1129R100	256.98	
	2438U1129F1	YC01301-	N-N-10		180 mm	KOB-2445R174R200	449.69	
	2438U1137F1	YC01301-	P-UB-10	105 mm	150 mm	KOB-2438U1137R200	554.34	
	2438U1137F1	YC01301-	P-UB-1	105 mm		KOB-2438U1137R100	326.73	
	2438U1137F1	YC01301-	N-N-10		150 mm	KOB-2438U953R200	699.74	
	2438U1171F1	YC01301-	P-UB-10	120 mm	170 mm	KOB-2438U1171R300	810.43	
	2438U1171F1	YC01301-	P-UB-1	120 mm		KOB-2438U1171R100	280.86	
	2438U1171F1	YC01301-	N-N-10		170 mm	KOB-2438U1171R200	529.60	
	2438U1171F2	YC01301-	P-UB-10	120 mm	170 mm	KOB-2438U1171R300	810.43	
	2438U1171F2	YC01301-	P-UB-1	120 mm		KOB-2438U1171R100	280.86	
	2438U1171F2	YC01301-	N-N-10		170 mm	KOB-2438U1171R200	529.60	
	2438U1171F3	YC01301-	P-UB-10	120 mm	170 mm	KOB-2438U1171R300	810.43	
	2438U1171F3	YC01301-	P-UB-1	120 mm		KOB-2438U1171R100	280.86	
	2438U1171F3	YC01301-	N-N-10		170 mm	KOB-2438U1171R200	529.60	
	2438U1171F4	YC01301-	P-UB-10	120 mm	170 mm	KOB-2438U1171R300	810.43	
	2438U1171F4	YC01301-	P-UB-1	120 mm		KOB-2438U1171R100	280.86	
	2438U1171F4	YC01301-	N-N-10		170 mm	KOB-2438U1171R200	529.60	
BOOM LH	2438U1177F1	YC01301-	P-UB-10	100 mm	150 mm	KOB-2438U1170R300	561.20	
	2438U1177F1	YC01301-	P-UB-1	100 mm		KOB-2438U1170R100	202.90	
	2438U1177F1	YC01301-	N-N-10		150 mm	KOB-2438U1170R200	350.60	
	2438U1177F2	YC01301-	P-UB-10	100 mm	150 mm	KOB-2438U1170R300	561.20	
	2438U1177F2	YC01301-	P-UB-1	100 mm		KOB-2438U1170R100	202.90	
	2438U1177F2	YC01301-	N-N-10		150 mm	KOB-2438U1170R200	350.60	
	2438U1177F3	YC01301-	P-UB-10	100 mm	150 mm	KOB-2438U1170R300	561.20	
	2438U1177F3	YC01301-	P-UB-1	100 mm		KOB-2438U1170R100	202.90	
	2438U1177F3	YC01301-	N-N-10		150 mm	KOB-2438U1170R200	350.60	
	2438U1177F4	YC01301-	P-UB-10	100 mm	150 mm	KOB-2438U1170R300	561.20	
	2438U1177F4	YC01301-	P-UB-1	100 mm		KOB-2438U1170R100	202.90	
	2438U1177F4	YC01301-	N-N-10		150 mm	KOB-2438U1170R200	350.60	
BOOM RH	2438U1170F1	YC01301-	P-UB-10	100 mm	150 mm	KOB-2438U1170R300	561.20	
	2438U1170F1	YC01301-	P-UB-1	100 mm		KOB-2438U1170R100	202.90	
	2438U1170F1	YC01301-	N-N-10		150 mm	KOB-2438U1170R200	350.60	
	2438U1170F2	YC01301-	P-UB-10	100 mm	150 mm	KOB-2438U1170R300	561.20	
	2438U1170F2	YC01301-	P-UB-1	100 mm		KOB-2438U1170R100	202.90	
	2438U1170F2	YC01301-	N-N-10		150 mm	KOB-2438U1170R200	350.60	
	2438U1170F3	YC01301-	P-UB-10	100 mm	150 mm	KOB-2438U1170R300	561.20	
	2438U1170F3	YC01301-	P-UB-1	100 mm		KOB-2438U1170R100	202.90	
	2438U1170F3	YC01301-	N-N-10		150 mm	KOB-2438U1170R200	350.60	
	2438U1170F4	YC01301-	P-UB-10	100 mm	150 mm	KOB-2438U1170R300	561.20	
	2438U1170F4	YC01301-	P-UB-1	100 mm		KOB-2438U1170R100	202.90	
	2438U1170F4	YC01301-	N-N-10		150 mm	KOB-2438U1170R200	350.60	
BUCKET	2438U1105F1	YC01301-	P-UB-10	80 mm	120 mm	KOB-2438U1105R500	387.06	
	2438U1105F1	YC01301-	P-UB-1	80 mm		KOB-2438U1105R400	178.77	
	2438U1105F1	YC01301-	N-N-10		120 mm	KOB-2438U1105R200	234.85	
	2438U1172F1	YC01301-	P-UB-10	100 mm	150 mm	KOB-2438U1172R300	636.64	
	2438U1172F1	YC01301-	N-N-10		150 mm	KOB-2438U1172R200	358.32	
	2438U1172F2	YC01301-	N-N-10		150 mm	KOB-2438U1172R400	366.52	
	2438U1172F3	YC01301-	P-UB-10	100 mm	150 mm	KOB-2438U1172R500	764.12	
	2438U1172F3	YC01301-	N-N-10		150 mm	KOB-2438U1172R400	366.52	
	2438U1172F4	YC01301-	P-UB-10	100 mm	150 mm	KOB-2438U1172R500	764.12	
	2438U1172F4	YC01301-	P-UB-1	100 mm		KOB-2438U1172R100	309.92	
	2438U1172F4	YC01301-	N-N-10		150 mm	KOB-2438U1172R400	366.52	
	2438U1172F5	YC01301-	P-UB-10	100 mm	150 mm	KOB-2438U1172R500	764.12	
2438U1172F5	YC01301-	P-UB-1	100 mm		KOB-2438U1172R100	309.92		

KOBELCO

KOBELCO

Replacement Kits For

Excavators								
APPLICATION	CYL #	SERIAL #	CODE	ROD	BORE	KIT #	List \$	
MODEL SK320LC III								
BUCKET	2438U1172F5	YC01301-	N-N-10		150 mm	KOB-2438U1172R400	366.52	
MODEL SK330 IV								
ARM	2438U1171F1	LCU0101-	N-N-10		170 mm	KOB-2438U1171R200	529.60	
	2438U1171F2	LCU0101-	P-UB-10	120 mm	170 mm	KOB-2438U1171R300	810.43	
	2438U1171F2	LCU0101-	P-UB-1	120 mm		KOB-2438U1171R100	280.86	
	2438U1171F2	LCU0101-	N-N-10		170 mm	KOB-2438U1171R200	529.60	
	2438U1171F3	LCU0101-	P-UB-10	120 mm	170 mm	KOB-2438U1171R300	810.43	
	2438U1171F3	LCU0101-	P-UB-1	120 mm		KOB-2438U1171R100	280.86	
	2438U1171F3	LCU0101-	N-N-10		170 mm	KOB-2438U1171R200	529.60	
	2438U1171F4	LCU0101-	P-UB-10	120 mm	170 mm	KOB-2438U1171R300	810.43	
	2438U1171F4	LCU0101-	P-UB-1	120 mm		KOB-2438U1171R100	280.86	
	2438U1171F4	LCU0101-	N-N-10		170 mm	KOB-2438U1171R200	529.60	
BOOM LH	2438U1177F1	LCU0101-	P-UB-10	100 mm	150 mm	KOB-2438U1170R300	561.20	
	2438U1177F1	LCU0101-	Bushing	100 mm		KOB-2438U1104S4	74.83	
	2438U1177F2	LCU0101-	P-UB-10	100 mm	150 mm	KOB-2438U1170R300	561.20	
	2438U1177F2	LCU0101-	P-UB-1	100 mm		KOB-2438U1170R100	202.90	
	2438U1177F2	LCU0101-	N-N-10		150 mm	KOB-2438U1172R400	366.52	
	2438U1177F2	LCU0101-	Bushing	100 mm		KOB-2438U1104S4	74.83	
	2438U1177F3	LCU0101-	P-UB-1	100 mm		KOB-2438U1170R100	202.90	
	2438U1177F3	LCU0101-	N-N-10		150 mm	KOB-2438U1172R400	366.52	
	2438U1177F3	LCU0101-	Bushing	100 mm		KOB-2438U1104S4	74.83	
	2438U1177F4	LCU0101-	P-UB-10	100 mm	150 mm	KOB-2438U1170R300	561.20	
	2438U1177F4	LCU0101-	P-UB-1	100 mm		KOB-2438U1170R100	202.90	
	2438U1177F4	LCU0101-	N-N-10		150 mm	KOB-2438U1172R400	366.52	
	2438U1177F4	LCU0101-	Bushing	100 mm		KOB-2438U1104S4	74.83	
	BOOM RH	2438U1170F1	LCU0101-	P-UB-10	100 mm	150 mm	KOB-2438U1170R300	561.20
2438U1170F1		LCU0101-	P-UB-1	100 mm		KOB-2438U1170R100	202.90	
2438U1170F1		LCU0101-	N-N-10		150 mm	KOB-2438U1172R400	366.52	
2438U1170F1		LCU0101-	Bushing	100 mm		KOB-2438U1104S4	74.83	
2438U1170F2		LCU0101-	P-UB-10	100 mm	150 mm	KOB-2438U1170R300	561.20	
2438U1170F2		LCU0101-	P-UB-1	100 mm		KOB-2438U1170R100	202.90	
2438U1170F2		LCU0101-	N-N-10		150 mm	KOB-2438U1172R400	366.52	
2438U1170F2		LCU0101-	Bushing	100 mm		KOB-2438U1104S4	74.83	
2438U1170F3		LCU0101-	P-UB-10	100 mm	150 mm	KOB-2438U1170R300	561.20	
2438U1170F3		LCU0101-	P-UB-1	100 mm		KOB-2438U1170R100	202.90	
2438U1170F3		LCU0101-	N-N-10		150 mm	KOB-2438U1172R400	366.52	
2438U1170F3		LCU0101-	Bushing	100 mm		KOB-2438U1104S4	74.83	
2438U1170F4		LCU0101-	P-UB-10	100 mm	150 mm	KOB-2438U1170R300	561.20	
2438U1170F4		LCU0101-	P-UB-1	100 mm		KOB-2438U1170R100	202.90	
2438U1170F4	LCU0101-	N-N-10		150 mm	KOB-2438U1172R400	366.52		
2438U1170F4	LCU0101-	Bushing	100 mm		KOB-2438U1104S4	74.83		
BUCKET	2438U1172F1	LCU0101-	P-UB-10	100 mm	150 mm	KOB-2438U1172R300	636.64	
	2438U1172F1	LCU0101-	P-UB-1	100 mm		KOB-2438U1170R100	202.90	
	2438U1172F1	LCU0101-	N-N-10		150 mm	KOB-2438U1172R400	366.52	
	2438U1172F1	LCU0101-	Bushing	100 mm		KOB-2438U1104S4	74.83	
	2438U1172F2	LCU0101-	P-UB-10	100 mm	150 mm	KOB-2438U1172R300	636.64	
	2438U1172F2	LCU0101-	P-UB-1	100 mm		KOB-2438U1170R100	202.90	
	2438U1172F2	LCU0101-	N-N-10		150 mm	KOB-2438U1172R400	366.52	
	2438U1172F2	LCU0101-	Bushing	100 mm		KOB-2438U1104S4	74.83	
	2438U1172F3	LCU0101-	P-UB-10	100 mm	150 mm	KOB-2438U1172R500	764.12	
	2438U1172F3	LCU0101-	P-UB-1	100 mm		KOB-2438U1170R100	202.90	
	2438U1172F3	LCU0101-	N-N-10		150 mm	KOB-2438U1172R400	366.52	
	2438U1172F3	LCU0101-	Bushing	100 mm		KOB-2438U1104S4	74.83	
	2438U1172F4	LCU0101-	P-UB-10	100 mm	150 mm	KOB-2438U1172R300	636.64	
	2438U1172F4	LCU0101-	P-UB-1	100 mm		KOB-2438U1172R100	309.92	

KOBELCO

Replacement Kits For

KOBELCO

Excavators								
APPLICATION	CYL #	SERIAL #	CODE	ROD	BORE	KIT #	List \$	
MODEL SK330-IV								
BUCKET	2438U1172F4	LCU0101-	N-N-10		150 mm	KOB-2438U1172R400	366.52	
	2438U1172F4	LCU0101-	Bushing	100 mm		KOB-2438U1104S4	74.83	
	2438U1172F5	LCU0101-	P-UB-10	100 mm	150 mm	KOB-2438U1172R300	636.64	
	2438U1172F5	LCU0101-	P-UB-1	100 mm		KOB-2438U1172R100	309.92	
	2438U1172F5	LCU0101-	N-N-10		150 mm	KOB-2438U1172R400	366.52	
	2438U1172F5	LCU0101-	Bushing	100 mm		KOB-2438U1104S4	74.83	
MODEL SK330-6E								
ARM	LC01V00005F1	LCC-02001-	P-UB-10	120 mm	170 mm	KOB-LC01V00005R300	915.67	
	LC01V00005F1	LCC-02001-	P-UB-1	120 mm		KOB-LC01V00005R100	280.86	
	LC01V00005F1	LCC-02001-	N-N-10		170 mm	KOB-LC01V00005R200	640.88	
BOOM LH	LC01V00002F1	LCC-02001-	P-UB-10	100 mm	140 mm	KOB-LC01V00001R300	462.89	
	LC01V00002F1	LCC-02001-	P-UB-1	100 mm		KOB-LQ01V00007R100	169.43	
	LC01V00002F1	LCC-02001-	N-N-10		140 mm	KOB-LC01V00001R200	326.22	
	LC01V00002F1	LCC-02001-	Bushing	100 mm		KOB-2438U1104S4	74.83	
BOOM RH	LC01V00001F1	LCC-02001-	P-UB-10	100 mm	140 mm	KOB-LC01V00001R300	462.89	
	LC01V00001F1	LCC-02001-	P-UB-1	100 mm		KOB-LQ01V00007R100	169.43	
	LC01V00001F1	LCC-02001-	N-N-10		140 mm	KOB-LC01V00001R200	326.22	
	LC01V00001F1	LCC-02001-	Bushing	100 mm		KOB-2438U1104S4	74.83	
BUCKET	LC01V00006F1	LCC-02001-	P-UB-10	100 mm	150 mm	KOB-LC01V00006R300	566.86	
	LC01V00006F1	LCC-02001-	P-UB-1	100 mm		KOB-LC01V00006R100	178.94	
	LC01V00006F1	LCC-02001-	N-N-10		150 mm	KOB-LC01V00006R200	387.93	
	LC01V00006F1	LCC-02001-	Bushing	100 mm		KOB-2438U1104S4	74.83	
MODEL SK330-8								
ARM	LC01V00054F1	LC10-07001-	P-UB-10	120 mm	170 mm	KOB-LC01V00054R300	1249.61	
	LC01V00054F1	LC10-07001-	P-UB-1	120 mm		KOB-LC01V00054R100	264.01	
	LC01V00054F1	LC10-07001-	N-N-10		170 mm	KOB-LC01V00054R200	1024.38	
	LC01V00054F1	LC10-C5001-	P-UB-10	120 mm	170 mm	KOB-LC01V00054R300	1249.61	
	LC01V00054F1	LC10-C5001-	P-UB-1	120 mm		KOB-LC01V00054R100	264.01	
	LC01V00054F1	LC10-C5001-	N-N-10		170 mm	KOB-LC01V00054R200	1024.38	
	LC01V00054F2	LC10-07001-	P-UB-10	120 mm	170 mm	KOB-LC01V00054R300	1249.61	
	LC01V00054F2	LC10-07001-	P-UB-1	120 mm		KOB-LC01V00054R100	264.01	
	LC01V00054F2	LC10-07001-	N-N-10		170 mm	KOB-LC01V00054R200	1024.38	
	LC01V00054F2	LC10-C5001-	P-UB-10	120 mm	170 mm	KOB-LC01V00054R300	1249.61	
	LC01V00054F2	LC10-C5001-	P-UB-1	120 mm		KOB-LC01V00054R100	264.01	
	LC01V00054F2	LC10-C5001-	N-N-10		170 mm	KOB-LC01V00054R200	1024.38	
	BOOM	LC01V00044F1	LC10-07001-	P-UB-10	100 mm	140 mm	KOB-LC01V00044R300	604.00
		LC01V00044F1	LC10-07001-	P-UB-1	100 mm		KOB-LC01V00044R100	178.34
		LC01V00044F1	LC10-07001-	N-N-10		140 mm	KOB-LC01V00044R200	425.67
		LC01V00044F1	LC10-07001-	Bushing	100 mm		KOB-2438U1104S4	74.83
LC01V00044F1		LC10-C5001-	P-UB-10	100 mm	140 mm	KOB-LC01V00044R300	604.00	
LC01V00044F1		LC10-C5001-	P-UB-1	100 mm		KOB-LC01V00044R100	178.34	
LC01V00044F1		LC10-C5001-	N-N-10		140 mm	KOB-LC01V00044R200	425.67	
LC01V00044F1		LC10-C5001-	Bushing	100 mm		KOB-2438U1104S4	74.83	
BUCKET	LC01V00055F1	LC10-07001-	P-UB-10	100 mm	150 mm	KOB-LC01V00055R300	717.99	
	LC01V00055F1	LC10-07001-	P-UB-1	100 mm		KOB-LC01V00055R100	178.94	
	LC01V00055F1	LC10-07001-	N-N-10		150 mm	KOB-LC01V00055R200	539.03	
	LC01V00055F1	LC10-07001-	Bushing	100 mm		KOB-2438U1104S4	74.83	
	LC01V00055F1	LC10-C5001-	P-UB-10	100 mm	150 mm	KOB-LC01V00055R300	717.99	
	LC01V00055F1	LC10-C5001-	P-UB-1	100 mm		KOB-LC01V00055R100	178.94	
	LC01V00055F1	LC10-C5001-	N-N-10		150 mm	KOB-LC01V00055R200	539.03	
	LC01V00055F1	LC10-C5001-	Bushing	100 mm		KOB-2438U1104S4	74.83	
	LC01V00055F2	LC10-07001-	P-UB-10	100 mm	150 mm	KOB-LC01V00055R300	717.99	
	LC01V00055F2	LC10-07001-	P-UB-1	100 mm		KOB-LC01V00055R100	178.94	
	LC01V00055F2	LC10-07001-	N-N-10		150 mm	KOB-LC01V00055R200	539.03	
	LC01V00055F2	LC10-07001-	Bushing	100 mm		KOB-2438U1104S4	74.83	

KOBELCO

Replacement Kits For

KOBELCO

Excavators								
APPLICATION	CYL #	SERIAL #	CODE	ROD	BORE	KIT #	List \$	
MODEL SK330-8								
BUCKET	LC01V00055F2	LC10-C5001-	P-UB-10	100 mm	150 mm	KOB-LC01V00055R300	717.99	
	LC01V00055F2	LC10-C5001-	P-UB-1	100 mm		KOB-LC01V00055R100	178.94	
	LC01V00055F2	LC10-C5001-	N-N-10		150 mm	KOB-LC01V00055R200	539.03	
	LC01V00055F2	LC10-C5001-	Bushing	100 mm		KOB-2438U1104S4	74.83	
MODEL SK330LC								
ARM	LC01V00005F1	YC06U0101-	P-UB-10	120 mm	170 mm	KOB-LC01V00005R300	915.67	
	LC01V00005F1	YC06U0101-	P-UB-1	120 mm		KOB-LC01V00005R100	280.86	
	LC01V00005F1	YC06U0101-	N-N-10		170 mm	KOB-LC01V00005R200	640.88	
BOOM LH	LC01V00002F1	YC06U0101-	P-UB-10	100 mm	140 mm	KOB-LC01V00001R300	462.89	
	LC01V00002F1	YC06U0101-	P-UB-1	100 mm		KOB-LQ01V00007R100	169.43	
	LC01V00002F1	YC06U0101-	N-N-10		140 mm	KOB-LC01V00001R200	326.22	
	LC01V00002F1	YC06U0101-	Bushing	100 mm		KOB-2438U1104S4	74.83	
BOOM RH	LC01V00001F1	YC06U0101-	P-UB-10	100 mm	140 mm	KOB-LC01V00001R300	462.89	
	LC01V00001F1	YC06U0101-	P-UB-1	100 mm		KOB-LQ01V00007R100	169.43	
	LC01V00001F1	YC06U0101-	N-N-10		140 mm	KOB-LC01V00001R200	326.22	
	LC01V00001F1	YC06U0101-	Bushing	100 mm		KOB-2438U1104S4	74.83	
BUCKET	LC01V00006F1	YC06U0101-	P-UB-10	100 mm	150 mm	KOB-LC01V00006R300	566.86	
	LC01V00006F1	YC06U0101-	P-UB-1	100 mm		KOB-LC01V00006R100	178.94	
	LC01V00006F1	YC06U0101-	N-N-10		150 mm	KOB-LC01V00006R200	387.93	
	LC01V00006F1	YC06U0101-	Bushing	100 mm		KOB-2438U1104S4	74.83	
MODEL SK330LC IV								
ARM	2438U1171F2	YCU0603, YCU0611-	P-UB-10	120 mm	170 mm	KOB-2438U1171R300	810.43	
	2438U1171F2	YCU0603, YCU0611-	P-UB-1	120 mm		KOB-2438U1171R100	280.86	
	2438U1171F2	YCU0603, YCU0611-	N-N-10		170 mm	KOB-2438U1171R200	529.60	
	2438U1171F3	YCU0603, YCU0611-	P-UB-10	120 mm	170 mm	KOB-2438U1171R300	810.43	
	2438U1171F3	YCU0603, YCU0611-	P-UB-1	120 mm		KOB-2438U1171R100	280.86	
	2438U1171F3	YCU0603, YCU0611-	N-N-10		170 mm	KOB-2438U1171R200	529.60	
	2438U1171F4	YCU0603, YCU0611-	P-UB-10	120 mm	170 mm	KOB-2438U1171R300	810.43	
	2438U1171F4	YCU0603, YCU0611-	P-UB-1	120 mm		KOB-2438U1171R100	280.86	
	2438U1171F4	YCU0603, YCU0611-	N-N-10		170 mm	KOB-2438U1171R200	529.60	
	BOOM LH	2438U1177F1	YCU0603, YCU0611-	P-UB-10	100 mm	150 mm	KOB-2438U1170R300	561.20
		2438U1177F1	YCU0603, YCU0611-	N-N-10		150 mm	KOB-2438U1172R400	366.52
		2438U1177F1	YCU0603, YCU0611-	Bushing	100 mm		KOB-2438U1104S4	74.83
		2438U1177F2	YCU0603, YCU0611-	P-UB-10	100 mm	150 mm	KOB-2438U1170R300	561.20
		2438U1177F2	YCU0603, YCU0611-	P-UB-1	100 mm		KOB-2438U1170R100	202.90
2438U1177F2		YCU0603, YCU0611-	N-N-10		150 mm	KOB-2438U1172R400	366.52	
2438U1177F2		YCU0603, YCU0611-	Bushing	100 mm		KOB-2438U1104S4	74.83	
2438U1177F3		YCU0603, YCU0611-	P-UB-1	100 mm		KOB-2438U1170R100	202.90	
2438U1177F3		YCU0603, YCU0611-	N-N-10		150 mm	KOB-2438U1172R400	366.52	
2438U1177F3		YCU0603, YCU0611-	Bushing	100 mm		KOB-2438U1104S4	74.83	
2438U1177F4		YCU0603, YCU0611-	P-UB-10	100 mm	150 mm	KOB-2438U1170R300	561.20	
2438U1177F4		YCU0603, YCU0611-	P-UB-1	100 mm		KOB-2438U1170R100	202.90	
2438U1177F4		YCU0603, YCU0611-	N-N-10		150 mm	KOB-2438U1172R400	366.52	
2438U1177F4		YCU0603, YCU0611-	Bushing	100 mm		KOB-2438U1104S4	74.83	
BOOM RH	2438U1170F1	YCU0603, YCU0611-	P-UB-10	100 mm	150 mm	KOB-2438U1172R300	636.64	
	2438U1170F1	YCU0603, YCU0611-	P-UB-1	100 mm		KOB-2438U1172R100	309.92	
	2438U1170F1	YCU0603, YCU0611-	N-N-10		150 mm	KOB-2438U1172R400	366.52	
	2438U1170F1	YCU0603, YCU0611-	Bushing	100 mm		KOB-2438U1104S4	74.83	
	2438U1170F2	YCU0603, YCU0611-	P-UB-10	100 mm	150 mm	KOB-2438U1170R300	561.20	
	2438U1170F2	YCU0603, YCU0611-	P-UB-1	100 mm		KOB-2438U1170R100	202.90	
	2438U1170F2	YCU0603, YCU0611-	N-N-10		150 mm	KOB-2438U1172R400	366.52	
	2438U1170F2	YCU0603, YCU0611-	Bushing	100 mm		KOB-2438U1104S4	74.83	
	2438U1170F3	YCU0603, YCU0611-	P-UB-10	100 mm	150 mm	KOB-2438U1170R300	561.20	
	2438U1170F3	YCU0603, YCU0611-	P-UB-1	100 mm		KOB-2438U1170R100	202.90	
	2438U1170F3	YCU0603, YCU0611-	N-N-10		150 mm	KOB-2438U1172R400	366.52	

KOBELCO

Replacement Kits For

KOBELCO

Excavators							
APPLICATION	CYL #	SERIAL #	CODE	ROD	BORE	KIT #	List \$
MODEL SK330LC IV							
BOOM RH	2438U1170F3	YCU0603, YCU0611-	Bushing	100 mm		KOB-2438U1104S4	74.83
	2438U1170F4	YCU0603, YCU0611-	P-UB-10	100 mm	150 mm	KOB-2438U1170R300	561.20
	2438U1170F4	YCU0603, YCU0611-	P-UB-1	100 mm		KOB-2438U1170R100	202.90
	2438U1170F4	YCU0603, YCU0611-	N-N-10		150 mm	KOB-2438U1172R400	366.52
	2438U1170F4	YCU0603, YCU0611-	Bushing	100 mm		KOB-2438U1104S4	74.83
BUCKET	2438U1172F1	YCU0603, YCU0611-	P-UB-10	100 mm	150 mm	KOB-2438U1172R300	636.64
	2438U1172F1	YCU0603, YCU0611-	P-UB-1	100 mm		KOB-2438U1170R100	202.90
	2438U1172F1	YCU0603, YCU0611-	N-N-10		150 mm	KOB-2438U1172R400	366.52
	2438U1172F1	YCU0603, YCU0611-	Bushing	100 mm		KOB-2438U1104S4	74.83
	2438U1172F2	YCU0603, YCU0611-	P-UB-10	100 mm	150 mm	KOB-2438U1172R300	636.64
	2438U1172F2	YCU0603, YCU0611-	N-N-10		150 mm	KOB-2438U1172R400	366.52
	2438U1172F2	YCU0603, YCU0611-	P-UB-1	100 mm		KOB-2438U1170R100	202.90
	2438U1172F2	YCU0603, YCU0611-	Bushing	100 mm		KOB-2438U1104S4	74.83
	2438U1172F3	YCU0603, YCU0611-	P-UB-10	100 mm	150 mm	KOB-2438U1172R500	764.12
	2438U1172F3	YCU0603, YCU0611-	P-UB-1	100 mm		KOB-2438U1170R100	202.90
	2438U1172F3	YCU0603, YCU0611-	N-N-10		150 mm	KOB-2438U1172R400	366.52
	2438U1172F3	YCU0603, YCU0611-	Bushing	100 mm		KOB-2438U1104S4	74.83
	2438U1172F4	YCU0603, YCU0611-	P-UB-10	100 mm	150 mm	KOB-2438U1172R500	764.12
	2438U1172F4	YCU0603, YCU0611-	P-UB-1	100 mm		KOB-2438U1170R100	202.90
	2438U1172F4	YCU0603, YCU0611-	N-N-10		150 mm	KOB-2438U1172R400	366.52
	2438U1172F4	YCU0603, YCU0611-	Bushing	100 mm		KOB-2438U1104S4	74.83
	2438U1172F5	YCU0603, YCU0611-	P-UB-10	100 mm	150 mm	KOB-2438U1172R500	764.12
	2438U1172F5	YCU0603, YCU0611-	P-UB-1	100 mm		KOB-2438U1170R100	202.90
	2438U1172F5	YCU0603, YCU0611-	N-N-10		150 mm	KOB-2438U1172R400	366.52
	2438U1172F5	YCU0603, YCU0611-	Bushing	100 mm		KOB-2438U1104S4	74.83
MODEL SK330LC-6E							
ARM	LC01V00005F2	YC07U0623-	P-UB-10	120 mm	170 mm	KOB-LC01V00005R300	915.67
	LC01V00005F2	YC07U0623-	P-UB-1	120 mm		KOB-LC01V00005R100	280.86
	LC01V00005F2	YC07U0623-	N-N-10		170 mm	KOB-LC01V00005R200	640.88
BOOM LH	LC01V00002F3	YC07U0623-	P-UB-10	100 mm	140 mm	KOB-LC01V00001R300	462.89
	LC01V00002F3	YC07U0623-	P-UB-1	100 mm		KOB-LQ01V00007R100	169.43
	LC01V00002F3	YC07U0623-	N-N-10		140 mm	KOB-LC01V00001R200	326.22
BOOM RH	LC01V00002F3	YC07U0623-	Bushing	100 mm		KOB-2438U1104S4	74.83
	LC01V00001F3	YC07U0623-	P-UB-10	100 mm	140 mm	KOB-LC01V00001R300	462.89
	LC01V00001F3	YC07U0623-	P-UB-1	100 mm		KOB-LQ01V00007R100	169.43
	LC01V00001F3	YC07U0623-	N-N-10		140 mm	KOB-LC01V00001R200	326.22
BUCKET	LC01V00001F3	YC07U0623-	Bushing	100 mm		KOB-2438U1104S4	74.83
	LC01V00006F3	YC07U0623-	P-UB-10	100 mm	150 mm	KOB-LC01V00006R300	566.86
	LC01V00006F3	YC07U0623-	P-UB-1	100 mm		KOB-LC01V00006R100	178.94
	LC01V00006F3	YC07U0623-	N-N-10		150 mm	KOB-LC01V00006R200	387.93
LC01V00006F3	YC07U0623-	Bushing	100 mm		KOB-2438U1104S4	74.83	
MODEL SK350-3							
ARM	LC01V00054F1		P-UB-10	120 mm	170 mm	KOB-LC01V00054R300	1249.61
	LC01V00054F1		P-UB-1	120 mm		KOB-LC01V00054R100	264.01
	LC01V00054F1		N-N-10		170 mm	KOB-LC01V00054R200	1024.38
	LC01V00054F2		P-UB-10	120 mm	170 mm	KOB-LC01V00054R300	1249.61
	LC01V00054F2		P-UB-1	120 mm		KOB-LC01V00054R100	264.01
	LC01V00054F2		N-N-10		170 mm	KOB-LC01V00054R200	1024.38
BOOM	LC01V00044F1		P-UB-10	100 mm	140 mm	KOB-LC01V00044R300	604.00
	LC01V00044F1		P-UB-1	100 mm		KOB-LC01V00044R100	178.34
	LC01V00044F1		N-N-10		140 mm	KOB-LC01V00044R200	425.67
	LC01V00044F1		Bushing	100 mm		KOB-2438U1104S4	74.83
BUCKET	LC01V00055F1		P-UB-10	100 mm	150 mm	KOB-LC01V00055R300	717.99
	LC01V00055F1		P-UB-1	100 mm		KOB-LC01V00055R100	178.94
	LC01V00055F1		N-N-10		150 mm	KOB-LC01V00055R200	539.03

KOBELCO

KOBELCO

Replacement Kits For

Excavators								
APPLICATION	CYL #	SERIAL #	CODE	ROD	BORE	KIT #	List \$	
MODEL SK350-8								
BUCKET	LC01V00055F1		Bushing	100 mm		KOB-2438U1104S4	74.83	
	LC01V00055F2		P-UB-10	100 mm	150 mm	KOB-LC01V00055R300	717.99	
	LC01V00055F2		P-UB-1	100 mm		KOB-LC01V00055R100	178.94	
	LC01V00055F2		N-N-10		150 mm	KOB-LC01V00055R200	539.03	
	LC01V00055F2		Bushing	100 mm		KOB-2438U1104S4	74.83	
MODEL SK350LC-8								
ARM	LC01V00054F1	YC10-03501-	P-UB-10	120 mm	170 mm	KOB-LC01V00054R300	1249.61	
	LC01V00054F1	YC10-03501-	P-UB-1	120 mm		KOB-LC01V00054R100	264.01	
	LC01V00054F1	YC10-03501-	N-N-10		170 mm	KOB-LC01V00054R200	1024.38	
	LC01V00054F1	YC10-C5001-	P-UB-10	120 mm	170 mm	KOB-LC01V00054R300	1249.61	
	LC01V00054F1	YC10-C5001-	P-UB-1	120 mm		KOB-LC01V00054R100	264.01	
	LC01V00054F1	YC10-C5001-	N-N-10		170 mm	KOB-LC01V00054R200	1024.38	
	LC01V00054F2	YC10-03501-	P-UB-10	120 mm	170 mm	KOB-LC01V00054R300	1249.61	
	LC01V00054F2	YC10-03501-	P-UB-1	120 mm		KOB-LC01V00054R100	264.01	
	LC01V00054F2	YC10-03501-	N-N-10		170 mm	KOB-LC01V00054R200	1024.38	
	LC01V00054F2	YC10-C5001-	P-UB-10	120 mm	170 mm	KOB-LC01V00054R300	1249.61	
	LC01V00054F2	YC10-C5001-	P-UB-1	120 mm		KOB-LC01V00054R100	264.01	
	LC01V00054F2	YC10-C5001-	N-N-10		170 mm	KOB-LC01V00054R200	1024.38	
	BOOM	LC01V00044F1	YC10-03501-	P-UB-10	100 mm	140 mm	KOB-LC01V00044R300	604.00
		LC01V00044F1	YC10-03501-	P-UB-1	100 mm		KOB-LC01V00044R100	178.34
		LC01V00044F1	YC10-03501-	N-N-10		140 mm	KOB-LC01V00044R200	425.67
LC01V00044F1		YC10-03501-	Bushing	100 mm		KOB-2438U1104S4	74.83	
LC01V00044F1		YC10-C5001-	P-UB-10	100 mm	140 mm	KOB-LC01V00044R300	604.00	
LC01V00044F1		YC10-C5001-	P-UB-1	100 mm		KOB-LC01V00044R100	178.34	
LC01V00044F1		YC10-C5001-	N-N-10		140 mm	KOB-LC01V00044R200	425.67	
LC01V00044F1		YC10-C5001-	Bushing	100 mm		KOB-2438U1104S4	74.83	
BUCKET		LC01V00055F1	YC10-03501-	P-UB-10	100 mm	150 mm	KOB-LC01V00055R300	717.99
		LC01V00055F1	YC10-03501-	P-UB-1	100 mm		KOB-LC01V00055R100	178.94
	LC01V00055F1	YC10-03501-	N-N-10		150 mm	KOB-LC01V00055R200	539.03	
	LC01V00055F1	YC10-03501-	Bushing	100 mm		KOB-2438U1104S4	74.83	
	LC01V00055F1	YC10-C5001-	P-UB-10	100 mm	150 mm	KOB-LC01V00055R300	717.99	
	LC01V00055F1	YC10-C5001-	P-UB-1	100 mm		KOB-LC01V00055R100	178.94	
	LC01V00055F1	YC10-C5001-	N-N-10		150 mm	KOB-LC01V00055R200	539.03	
	LC01V00055F2	YC10-03501-	P-UB-10	100 mm	150 mm	KOB-LC01V00055R300	717.99	
	LC01V00055F2	YC10-03501-	P-UB-1	100 mm		KOB-LC01V00055R100	178.94	
	LC01V00055F2	YC10-03501-	N-N-10		150 mm	KOB-LC01V00055R200	539.03	
	LC01V00055F2	YC10-03501-	Bushing	100 mm		KOB-2438U1104S4	74.83	
	LC01V00055F2	YC10-C5001-	P-UB-10	100 mm	150 mm	KOB-LC01V00055R300	717.99	
	LC01V00055F2	YC10-C5001-	P-UB-1	100 mm		KOB-LC01V00055R100	178.94	
	LC01V00055F2	YC10-C5001-	N-N-10		150 mm	KOB-LC01V00055R200	539.03	
	LC01V00055F2	YC10-C5001-	Bushing	100 mm		KOB-2438U1104S4	74.83	
MODEL SK400LC III								
ARM	2438U1174F1	YS00547-	P-UB-14	130 mm	190 mm	KOB-2438U1174R300	1303.49	
	2438U1174F1	YS00547-	P-UB-1	130 mm		KOB-2438U1174R100	535.85	
	2438U1174F1	YS00547-	N-N-14		190 mm	KOB-2438U1174R200	767.58	
	2438U1174F1	YSU0001-	P-UB-14	130 mm	190 mm	KOB-2438U1174R300	1303.49	
	2438U1174F1	YSU0001-	P-UB-1	130 mm		KOB-2438U1174R100	535.85	
	2438U1174F1	YSU0001-	N-N-14		190 mm	KOB-2438U1174R200	767.58	
	2438U1174F2	YS00547-	P-UB-14	130 mm	190 mm	KOB-2438U1174R300	1303.49	
	2438U1174F2	YS00547-	P-UB-1	130 mm		KOB-2438U1174R100	535.85	
	2438U1174F2	YS00547-	N-N-14		190 mm	KOB-2438U1174R200	767.58	
	2438U1174F2	YSU0001-	P-UB-14	130 mm	190 mm	KOB-2438U1174R300	1303.49	
	2438U1174F2	YSU0001-	P-UB-1	130 mm		KOB-2438U1174R100	535.85	
	2438U1174F2	YSU0001-	N-N-14		190 mm	KOB-2438U1174R200	767.58	
	BOOM LH	2438U1176F1	YS00547-	P-UB-14	115 mm	170 mm	KOB-2438U1173R300	915.64

KOBELCO

KOBELCO

Replacement Kits For

Excavators								
APPLICATION	CYL #	SERIAL #	CODE	ROD	BORE	KIT #	List \$	
MODEL SK400LC III								
BOOM LH	2438U1176F1	YS00547-	P-UB-1	115 mm		KOB-2438U1173R100	365.83	
	2438U1176F1	YS00547-	N-N-14		170 mm	KOB-2438U1173R200	549.81	
	2438U1176F1	YSU0001-	P-UB-14	115 mm	170 mm	KOB-2438U1173R300	915.64	
	2438U1176F1	YSU0001-	P-UB-1	115 mm		KOB-2438U1173R100	365.83	
	2438U1176F1	YSU0001-	N-N-14		170 mm	KOB-2438U1173R200	549.81	
	2438U1176F2	YS00547-	P-UB-14	115 mm	170 mm	KOB-2438U1173R300	915.64	
	2438U1176F2	YS00547-	P-UB-1	115 mm		KOB-2438U1173R100	365.83	
	2438U1176F2	YS00547-	N-N-14		170 mm	KOB-2438U1173R200	549.81	
	2438U1176F2	YSU0001-	P-UB-14	115 mm	170 mm	KOB-2438U1173R300	915.64	
	2438U1176F2	YSU0001-	P-UB-1	115 mm		KOB-2438U1173R100	365.83	
	2438U1176F2	YSU0001-	N-N-14		170 mm	KOB-2438U1173R200	549.81	
	BOOM RH	2438U1173F1	YS00547-	P-UB-14	115 mm	170 mm	KOB-2438U1173R300	915.64
2438U1173F1		YS00547-	P-UB-1	115 mm		KOB-2438U1173R100	365.83	
2438U1173F1		YS00547-	N-N-14		170 mm	KOB-2438U1173R200	549.81	
2438U1173F1		YSU0001-	P-UB-14	115 mm	170 mm	KOB-2438U1173R300	915.64	
2438U1173F1		YSU0001-	P-UB-1	115 mm		KOB-2438U1173R100	365.83	
2438U1173F1		YSU0001-	N-N-14		170 mm	KOB-2438U1173R200	549.81	
2438U1173F2		YS00547-	P-UB-14	115 mm	170 mm	KOB-2438U1173R300	915.64	
2438U1173F2		YS00547-	P-UB-1	115 mm		KOB-2438U1173R100	365.83	
2438U1173F2		YS00547-	N-N-14		170 mm	KOB-2438U1173R200	549.81	
2438U1173F2		YSU0001-	P-UB-14	115 mm	170 mm	KOB-2438U1173R300	915.64	
2438U1173F2		YSU0001-	P-UB-1	115 mm		KOB-2438U1173R100	365.83	
2438U1173F2		YSU0001-	N-N-14		170 mm	KOB-2438U1173R200	549.81	
BUCKET	2438U1175F1	YS00547-	P-UB-14	110 mm	160 mm	KOB-2438U1175R300	661.49	
	2438U1175F1	YS00547-	P-UB-1	110 mm		KOB-2438U1175R100	281.02	
	2438U1175F1	YS00547-	N-N-14		160 mm	KOB-2438U1175R200	443.32	
	2438U1175F1	YSU0001-	P-UB-14	110 mm	160 mm	KOB-2438U1175R300	661.49	
	2438U1175F1	YSU0001-	P-UB-1	110 mm		KOB-2438U1175R100	281.02	
	2438U1175F1	YSU0001-	N-N-14		160 mm	KOB-2438U1175R200	443.32	
	2438U1175F2	YS00547-	P-UB-14	110 mm	160 mm	KOB-2438U1175R300	661.49	
	2438U1175F2	YS00547-	P-UB-1	110 mm		KOB-2438U1175R100	281.02	
	2438U1175F2	YS00547-	N-N-14		160 mm	KOB-2438U1175R200	443.32	
	2438U1175F2	YSU0001-	P-UB-14	110 mm	160 mm	KOB-2438U1175R300	661.49	
	2438U1175F2	YSU0001-	P-UB-1	110 mm		KOB-2438U1175R100	281.02	
	2438U1175F2	YSU0001-	N-N-14		160 mm	KOB-2438U1175R200	443.32	
MODEL SK400LC IV								
ARM	2438U1174F1	YSJ00002-	P-UB-14	130 mm	190 mm	KOB-2438U1174R300	1303.49	
	2438U1174F1	YSJ00002-	P-UB-1	130 mm		KOB-2438U1174R100	535.85	
	2438U1174F1	YSJ00002-	N-N-14		190 mm	KOB-2438U1174R200	767.58	
	2438U1174F1	YSU0200-	P-UB-14	130 mm	190 mm	KOB-2438U1174R300	1303.49	
	2438U1174F1	YSU0200-	P-UB-1	130 mm		KOB-2438U1174R100	535.85	
	2438U1174F1	YSU0200-	N-N-14		190 mm	KOB-2438U1174R200	767.58	
	2438U1174F2	YSJ00002-	P-UB-14	130 mm	190 mm	KOB-2438U1174R300	1303.49	
	2438U1174F2	YSJ00002-	P-UB-1	130 mm		KOB-2438U1174R100	535.85	
	2438U1174F2	YSJ00002-	N-N-14		190 mm	KOB-2438U1174R200	767.58	
	2438U1174F2	YSU0200-	P-UB-14	130 mm	190 mm	KOB-2438U1174R300	1303.49	
	2438U1174F2	YSU0200-	P-UB-1	130 mm		KOB-2438U1174R100	535.85	
	2438U1174F2	YSU0200-	N-N-14		190 mm	KOB-2438U1174R200	767.58	
	2438U1174F3	YSU0200-	P-UB-14	130 mm	190 mm	KOB-2438U1174R300	1303.49	
	2438U1174F3	YSU0200-	P-UB-1	130 mm		KOB-2438U1174R100	535.85	
	2438U1174F3	YSU0200-	N-N-14		190 mm	KOB-2438U1174R200	767.58	
BOOM LH	2438U1176F1	YSJ00002-	P-UB-14	115 mm	170 mm	KOB-2438U1173R300	915.64	
	2438U1176F1	YSJ00002-	P-UB-1	115 mm		KOB-2438U1173R100	365.83	
	2438U1176F1	YSJ00002-	N-N-14		170 mm	KOB-2438U1173R200	549.81	
	2438U1176F1	YSU0200-	P-UB-14	115 mm	170 mm	KOB-2438U1173R300	915.64	

KOBELCO

KOBELCO

Replacement Kits For

Excavators								
APPLICATION	CYL #	SERIAL #	CODE	ROD	BORE	KIT #	List \$	
MODEL SK400LC IV								
BOOM LH	2438U1176F1	YSU0200-	P-UB-1	115 mm		KOB-2438U1173R100	365.83	
	2438U1176F1	YSU0200-	N-N-14		170 mm	KOB-2438U1173R200	549.81	
	2438U1176F2	YSJ00002-	P-UB-14	115 mm	170 mm	KOB-2438U1173R300	915.64	
	2438U1176F2	YSJ00002-	P-UB-1	115 mm		KOB-2438U1173R100	365.83	
	2438U1176F2	YSJ00002-	N-N-14		170 mm	KOB-2438U1173R200	549.81	
	2438U1176F2	YSU0200-	P-UB-14	115 mm	170 mm	KOB-2438U1173R300	915.64	
	2438U1176F2	YSU0200-	P-UB-1	115 mm		KOB-2438U1173R100	365.83	
	2438U1176F2	YSU0200-	N-N-14		170 mm	KOB-2438U1173R200	549.81	
	2438U1176F3	YSJ00002-	P-UB-14	115 mm	170 mm	KOB-2438U1173R300	915.64	
	2438U1176F3	YSJ00002-	P-UB-1	115 mm		KOB-2438U1173R100	365.83	
	2438U1176F3	YSJ00002-	N-N-14		170 mm	KOB-2438U1173R200	549.81	
	2438U1176F3	YSU0200-	P-UB-14	115 mm	170 mm	KOB-2438U1173R300	915.64	
	2438U1176F3	YSU0200-	P-UB-1	115 mm		KOB-2438U1173R100	365.83	
	2438U1176F3	YSU0200-	N-N-14		170 mm	KOB-2438U1173R200	549.81	
	2438U1176F4	YSU0200-	P-UB-14	115 mm	170 mm	KOB-2438U1173R300	915.64	
	2438U1176F4	YSU0200-	P-UB-1	115 mm		KOB-2438U1173R100	365.83	
	2438U1176F4	YSU0200-	N-N-14		170 mm	KOB-2438U1173R200	549.81	
	BOOM RH	2438U1173F1	YSJ00002-	P-UB-14	115 mm	170 mm	KOB-2438U1173R300	915.64
		2438U1173F1	YSJ00002-	P-UB-1	115 mm		KOB-2438U1173R100	365.83
		2438U1173F1	YSJ00002-	N-N-14		170 mm	KOB-2438U1173R200	549.81
2438U1173F1		YSU0200-	P-UB-14	115 mm	170 mm	KOB-2438U1173R300	915.64	
2438U1173F1		YSU0200-	P-UB-1	115 mm		KOB-2438U1173R100	365.83	
2438U1173F1		YSU0200-	N-N-14		170 mm	KOB-2438U1173R200	549.81	
2438U1173F2		YSJ00002-	P-UB-14	115 mm	170 mm	KOB-2438U1173R300	915.64	
2438U1173F2		YSJ00002-	P-UB-1	115 mm		KOB-2438U1173R100	365.83	
2438U1173F2		YSJ00002-	N-N-14		170 mm	KOB-2438U1173R200	549.81	
2438U1173F2		YSU0200-	P-UB-14	115 mm	170 mm	KOB-2438U1173R300	915.64	
2438U1173F2		YSU0200-	P-UB-1	115 mm		KOB-2438U1173R100	365.83	
2438U1173F2		YSU0200-	N-N-14		170 mm	KOB-2438U1173R200	549.81	
2438U1173F3		YSJ00002-	P-UB-14	115 mm	170 mm	KOB-2438U1173R300	915.64	
2438U1173F3		YSJ00002-	P-UB-1	115 mm		KOB-2438U1173R100	365.83	
2438U1173F3		YSJ00002-	N-N-14		170 mm	KOB-2438U1173R200	549.81	
2438U1173F3		YSU0200-	P-UB-14	115 mm	170 mm	KOB-2438U1173R300	915.64	
2438U1173F3		YSU0200-	P-UB-1	115 mm		KOB-2438U1173R100	365.83	
2438U1173F3		YSU0200-	N-N-14		170 mm	KOB-2438U1173R200	549.81	
2438U1173F4		YSU0200-	P-UB-14	115 mm	170 mm	KOB-2438U1173R300	915.64	
2438U1173F4		YSU0200-	P-UB-1	115 mm		KOB-2438U1173R100	365.83	
2438U1173F4	YSU0200-	N-N-14		170 mm	KOB-2438U1173R200	549.81		
BUCKET	2438U1175F1	YSJ00002-	P-UB-14	110 mm	160 mm	KOB-2438U1175R300	661.49	
	2438U1175F1	YSJ00002-	P-UB-1	110 mm		KOB-2438U1175R100	281.02	
	2438U1175F1	YSJ00002-	N-N-14		160 mm	KOB-2438U1175R200	443.32	
	2438U1175F1	YSU0200-	P-UB-14	110 mm	160 mm	KOB-2438U1175R300	661.49	
	2438U1175F1	YSU0200-	P-UB-1	110 mm		KOB-2438U1175R100	281.02	
	2438U1175F1	YSU0200-	N-N-14		160 mm	KOB-2438U1175R200	443.32	
	2438U1175F2	YSJ00002-	P-UB-14	110 mm	160 mm	KOB-2438U1175R300	661.49	
	2438U1175F2	YSJ00002-	P-UB-1	110 mm		KOB-2438U1175R100	281.02	
	2438U1175F2	YSJ00002-	N-N-14		160 mm	KOB-2438U1175R200	443.32	
	2438U1175F2	YSU0200-	P-UB-14	110 mm	160 mm	KOB-2438U1175R300	661.49	
	2438U1175F2	YSU0200-	P-UB-1	110 mm		KOB-2438U1175R100	281.02	
	2438U1175F2	YSU0200-	N-N-14		160 mm	KOB-2438U1175R200	443.32	
	2438U1175F3	YSJ00002-	P-UB-14	110 mm	160 mm	KOB-2438U1175R300	661.49	
	2438U1175F3	YSJ00002-	P-UB-1	110 mm		KOB-2438U1175R100	281.02	
	2438U1175F3	YSJ00002-	N-N-14		160 mm	KOB-2438U1175R200	443.32	
	2438U1175F3	YSU0200-	P-UB-14	110 mm	160 mm	KOB-2438U1175R300	661.49	
	2438U1175F3	YSU0200-	P-UB-1	110 mm		KOB-2438U1175R100	281.02	

KOBELCO

KOBELCO

Replacement Kits For

Excavators								
APPLICATION	CYL #	SERIAL #	CODE	ROD	BORE	KIT #	List \$	
MODEL SK400LC IV								
BUCKET	2438U1175F3	YSU0200-	N-N-14		160 mm	KOB-2438U1175R200	443.32	
Excavators - Compact								
APPLICATION	CYL #	SERIAL #	CODE	ROD	BORE	KIT #	List \$	
MODEL SK25SR-2								
ARM	PV01V00037F1	PV09-22001-PV09-22780	P-U-10	40 mm	70 mm	KOB-PV01V00037R300	285.17	
BOOM Cab	PV01V00040F1	PV09-22001-PV09-22780	P-U-10	40 mm	70 mm	KOB-PV01V00039R300	285.17	
BOOM Canopy	PV01V00039F1	PV09-22001-PV09-22780	P-U-10	40 mm	70 mm	KOB-PV01V00039R300	285.17	
BUCKET	PM01V00043F1	PV09-22001-PV09-22780	P-U-10	30 mm	55 mm	KOB-PM01V00043R300	80.61	
	PM01V00043F2	PV09-22001-PV09-22780	P-U-10	30 mm	55 mm	KOB-PM01V00043R300	80.61	
	PM01V00043F3	PV09-22001-PV09-22780	P-U-10	30 mm	55 mm	KOB-PM01V00043R300	80.61	
	PM01V00043F4	PV09-22001-PV09-22780	P-U-10	30 mm	55 mm	KOB-PM01V00043R300	80.61	
	PM01V00043F5	PV09-22001-PV09-22780	P-U-10	30 mm	55 mm	KOB-PM01V00043R300	80.61	
DOZER	PV01V00038F1	PV09-22001-PV09-22780	P-U-10	45 mm	80 mm	KOB-PV01V00038R300	136.65	
SWING	PM01V00044F1	PV09-22001-PV09-22780	P-U-10	40 mm	75 mm	KOB-PM01V00044R300	174.79	
MODEL SK35SR-2								
ARM	PW01V00045F1	PX09-08001-	P-U-10	45 mm	75 mm	KOB-PW01V00045R300	109.71	
	PW01V00051F1	PX09-08001-	P-U-10	45 mm	75 mm	KOB-PW01V00051R300	100.17	
	PW01V00051F1	PX11-08901-	P-U-10	45 mm	75 mm	KOB-PW01V00051R300	100.17	
	PW01V00051F2	PX09-08001-	P-U-10	45 mm	75 mm	KOB-PW01V00051R300	100.17	
	PW01V00051F2	PX11-08901-	P-U-10	45 mm	75 mm	KOB-PW01V00051R300	100.17	
	PX01V00032F1	PX09-08001-	P-U-10	45 mm	80 mm	KOB-PW01V00043R300	104.53	
	PX01V00035F1	PX09-08001-	P-U-10	45 mm	80 mm	KOB-PW01V00035R300	93.16	
	PX01V00035F1	PX11-08901-	P-U-10	45 mm	80 mm	KOB-PW01V00048R300	93.16	
	PX01V00035F2	PX09-08001-	P-U-10	45 mm	80 mm	KOB-PW01V00035R300	93.16	
BOOM Cab	PW01V00044F1	PX09-08001-	P-U-10	45 mm	80 mm	KOB-PW01V00043R300	104.53	
	PW01V00044F1	PX11-08901-	P-U-10	45 mm	80 mm	KOB-PW01V00043R300	104.53	
	PW01V00044F2	PX09-08001-	P-U-10	45 mm	80 mm	KOB-PW01V00043R300	104.53	
	PW01V00044F2	PX11-08901-	P-U-10	45 mm	80 mm	KOB-PW01V00043R300	104.53	
	PX01V00031F1	PX09-08001-	P-U-10	50 mm	85 mm	KOB-PX01V00030R300	130.96	
	PX01V00031F1	PX11-08901-	P-U-10	50 mm	85 mm	KOB-PX01V00030R300	130.96	
	PX01V00031F2	PX09-08001-	P-U-10	50 mm	85 mm	KOB-PX01V00030R300	130.96	
BOOM Canopy	PW01V00043F1	PX09-08001-	P-U-10	45 mm	80 mm	KOB-PW01V00043R300	104.53	
	PW01V00043F1	PX11-08901-	P-U-10	45 mm	80 mm	KOB-PW01V00043R300	104.53	
	PW01V00043F2	PX09-08001-	P-U-10	45 mm	80 mm	KOB-PW01V00043R300	104.53	
	PW01V00043F2	PX11-08901-	P-U-10	45 mm	80 mm	KOB-PW01V00043R300	104.53	
	PX01V00030F1	PX11-08901-	P-U-10	50 mm	85 mm	KOB-PX01V00030R300	130.96	
BUCKET	PW01V00046F1	PX09-08001-	P-U-10	35 mm	65 mm	KOB-PW01V00046R300	100.51	
	PW01V00046F1	PX11-08901-	P-U-10	40 mm	65 mm	KOB-PX01V00041R300	118.43	
	PW01V00046F2	PX11-08901-	P-U-10	40 mm	65 mm	KOB-PX01V00041R300	118.43	
DOZER	PW01V00033F1	PX09-08001-	P-U-10	45 mm	90 mm	KOB-PX01V00033R300	114.57	
	PW01V00048F1	PX09-08001-	P-U-10	45 mm	80 mm	KOB-PX01V00048R300	115.24	
	PW01V00048F1	PX11-08901-	P-U-10	45 mm	80 mm	KOB-PW01V00048R300	93.16	
SWING	PW01V00048F2	PX11-08901-	P-U-10	45 mm	80 mm	KOB-PW01V00048R300	93.16	
	PW01V00050F1	PX11-08901-	P-U-10	45 mm	80 mm	KOB-PW01V00043R300	104.53	
SWING	PW01V00050F2	PX11-08901-	P-U-10	45 mm	80 mm	KOB-PW01V00043R300	104.53	
	PX01V00050F1	PX09-08001-	P-U-10	50 mm	100 mm	KOB-PX01V00043R300	104.19	
	MODEL SK35SR-3							
ANGLE DOZER	PW51B00065F1	PX15-21105	P-U-10	45 mm	80 mm	KOB-PX01V00048R300	115.24	
ARM	PX01V00048F1	PX12-11001-PX12-12803	P-U-10	45 mm	80 mm	KOB-PX01V00042R300	113.23	
	PX01V00048F2	PX12-11001-PX12-12803	P-U-10	45 mm	80 mm	KOB-PX01V00042R300	113.23	
	PX01V00063F1	PV11-30001-PV11-30393	P-U-10	45 mm	80 mm	KOB-PX01V00042R300	113.23	
	PX01V00063F1	PX13-15001-PX13-15682	P-U-10	45 mm	80 mm	KOB-PX01V00042R300	113.23	

KOBELCO

Replacement Kits For

KOBELCO

Excavators - Compact							
APPLICATION	CYL #	SERIAL #	CODE	ROD	BORE	KIT #	List \$
MODEL SK35SR-3							
ARM	PX01V00063F1	PX14-17001-PX14-17514	P-U-10	45 mm	80 mm	KOB-PX01V00042R300	113.23
	PX01V00063F1	PX15-21105	P-U-10	45 mm	80 mm	KOB-PX01V00042R300	113.23
BOOM Cab	PX01V00053F1	PX12-11001-PX12-12803	P-U-10	45 mm	80 mm	KOB-PX01V00045R300	104.53
	PX01V00053F2	PX12-11001-PX12-12803	P-U-10	45 mm	80 mm	KOB-PX01V00045R300	104.53
	PX01V00065F1	PV11-30001-PV11-30393	P-U-10	45 mm	80 mm	KOB-PX01V00045R300	104.53
	PX01V00065F1	PX13-15001-PX13-15682	P-U-10	45 mm	80 mm	KOB-PX01V00045R300	104.53
	PX01V00065F1	PX14-17001-PX14-17514	P-U-10	45 mm	80 mm	KOB-PX01V00045R300	104.53
BOOM Canopy	PX01V00066F1	PX15-21105	P-U-10	45 mm	80 mm	KOB-PX01V00045R300	104.53
	PX01V00052F1	PX12-11001-PX12-12803	P-U-10	45 mm	80 mm	KOB-PX01V00045R300	104.53
	PX01V00052F2	PX12-11001-PX12-12803	P-U-10	45 mm	80 mm	KOB-PX01V00045R300	104.53
	PX01V00062F1	PV11-30001-PV11-30393	P-U-10	45 mm	80 mm	KOB-PX01V00045R300	104.53
	PX01V00062F1	PX13-15001-PX13-15682	P-U-10	45 mm	80 mm	KOB-PX01V00045R300	104.53
BUCKET	PX01V00062F1	PX14-17001-PX14-17514	P-U-10	45 mm	80 mm	KOB-PX01V00045R300	104.53
	PX01V00062F1	PX15-21105	P-U-10	45 mm	80 mm	KOB-PX01V00045R300	104.53
	PX01V00041F1	PX12-11001-PX12-12803	P-U-10	40 mm	65 mm	KOB-PX01V00041R300	118.43
	PX01V00041F2	PX12-11001-PX12-12803	P-U-10	40 mm	65 mm	KOB-PX01V00041R300	118.43
	PX01V00064F1	PV11-30001-PV11-30393	P-U-10	40 mm	65 mm	KOB-PX01V00041R300	118.43
DOZER	PX01V00064F1	PX13-15001-PX13-15682	P-U-10	40 mm	65 mm	KOB-PX01V00041R300	118.43
	PX01V00064F1	PX14-17001-PX14-17514	P-U-10	40 mm	65 mm	KOB-PX01V00041R300	118.43
	PX01V00064F1	PX15-21105	P-U-10	40 mm	65 mm	KOB-PX01V00041R300	118.43
	PX01V00043F1	PV11-30001-PV11-30393	P-U-10	50 mm	100 mm	KOB-PX01V00043R300	104.19
	PX01V00043F1	PX12-11001-PX12-12803	P-U-10	50 mm	100 mm	KOB-PX01V00043R300	104.19
SWING	PX01V00043F1	PX13-15001-PX13-15682	P-U-10	50 mm	100 mm	KOB-PX01V00043R300	104.19
	PX01V00043F1	PX14-17001-PX14-17514	P-U-10	50 mm	100 mm	KOB-PX01V00043R300	104.19
	PX01V00043F2	PV11-30001-PV11-30393	P-U-10	50 mm	100 mm	KOB-PX01V00043R300	104.19
	PX01V00043F2	PX12-11001-PX12-12803	P-U-10	50 mm	100 mm	KOB-PX01V00043R300	104.19
	PX01V00043F2	PX13-15001-PX13-15682	P-U-10	50 mm	100 mm	KOB-PX01V00043R300	104.19
SWING	PX01V00043F2	PX14-17001-PX14-17514	P-U-10	50 mm	100 mm	KOB-PX01V00043R300	104.19
	PX01V00043F2	PX15-21105	P-U-10	50 mm	100 mm	KOB-PX01V00043R300	104.19
	PX01V00042F1	PV11-30001-PV11-30393	P-U-10	45 mm	80 mm	KOB-PX01V00042R300	113.23
	PX01V00042F1	PX12-11001-PX12-12803	P-U-10	45 mm	80 mm	KOB-PX01V00042R300	113.23
	PX01V00042F1	PX13-15001-PX13-15682	P-U-10	45 mm	80 mm	KOB-PX01V00042R300	113.23
	PX01V00042F1	PX14-17001-PX14-17514	P-U-10	45 mm	80 mm	KOB-PX01V00042R300	113.23
	PX01V00042F2	PV11-30001-PV11-30393	P-U-10	45 mm	80 mm	KOB-PX01V00042R300	113.23
	PX01V00042F2	PX13-15001-PX13-15682	P-U-10	45 mm	80 mm	KOB-PX01V00042R300	113.23
PX01V00042F2	PX14-17001-PX14-17514	P-U-10	45 mm	80 mm	KOB-PX01V00042R300	113.23	
PX01V00042F2	PX15-21105	P-U-10	45 mm	80 mm	KOB-PX01V00042R300	113.23	

KOBELCO

REPLACEMENT KITS FOR KOBELCO

Kit Number	Code (Pg. xiv)	Rod X Bore Size	List Price
KOB-24038R42F1	N-N-14	120 mm Piston Kit	\$346.84
KOB-24381104R400	P-UB-10	75 mm	173.71
KOB-2438U1028R100	P-UB-1	110 mm Rod Kit	285.42
KOB-2438U1028R200	N-N-14	170 mm Piston Kit	683.30
KOB-2438U1029R100	P-UB-1	130 mm Rod Kit	494.83
KOB-2438U1029R200	N-N-14	180 mm Piston Kit	717.22
KOB-2438U1030R100	P-UB-1	120 mm Rod Kit	355.86
KOB-2438U1030R200	N-N-14	170 mm Piston Kit	683.30
KOB-2438U1094R140	N-N-10	125 mm Piston Kit	341.31
KOB-2438U1096R100	P-UB-1	60 mm Rod Kit	221.43
KOB-2438U1096R200	N-N-10	95 mm Piston Kit	258.48
KOB-2438U1097R100	P-UB-1	65 mm Rod Kit	199.48
KOB-2438U1097R200	N-N-10	95 mm Piston Kit	308.95
KOB-2438U1097R300	P-UB-10	65 X 95 mm	508.41
KOB-2438U1098R100	P-UB-1	75 mm Rod Kit	210.52
KOB-2438U1098R200	N-N-10	115 mm Piston Kit	425.52
KOB-2438U1099R100	P-UB-1	70 mm Rod Kit	225.82
KOB-2438U1102R200	N-N-10	125 mm Piston Kit	333.95
KOB-2438U1102R300	P-UB-10	85 X 125 mm	523.67
KOB-2438U1102R500	P-UB-10	85 X 125 mm	523.67
KOB-2438U1102R600	P-UB-1	85 mm Rod Kit	189.75
KOB-2438U1104R200	N-N-10	145 mm Piston Kit	493.83
KOB-2438U1104R300	P-UB-10	100 X 145 mm	654.20
KOB-2438U1104R400	P-UB-1	100 mm Rod Kit	220.31
KOB-2438U1104R500	P-UB-10	100 X 145 mm	714.14
KOB-2438U1105R200	N-N-10	120 mm Piston Kit	234.85
KOB-2438U1105R400	P-UB-1	80 mm Rod Kit	178.77
KOB-2438U1105R500	P-UB-10	80 X 120 mm	387.06
KOB-2438U1106R100	P-UB-1	85 mm Rod Kit	250.24
KOB-2438U1106R200	N-N-10	125 mm Piston Kit	426.05
KOB-2438U1106R300	P-UB-10	85 X 125 mm	676.32
KOB-2438U1108R100	P-UB-1	100 mm Rod Kit	272.99
KOB-2438U1108R200	N-N-14	145 mm Piston Kit	313.70
KOB-2438U1108R300	P-UB-14	100 X 145 mm	618.83
KOB-2438U1109R100	N-N-10	120 mm Piston Kit	253.94
KOB-2438U1109R200	P-UB-1	80 mm Rod Kit	244.53
KOB-2438U1109R300	P-UB-10	80 X 120 mm	496.27
KOB-2438U1123R200	N-N-10	100 mm Piston Kit	312.32
KOB-2438U1129R100	P-UB-1	120 mm	256.98
KOB-2438U1129R300	P-UB-10	120 X 180 mm	706.70
KOB-2438U1131R100	P-UB-1	65mm Rod Kit	199.48
KOB-2438U1131R200	N-N-10	100mm Piston Kit	321.76
KOB-2438U1131R300	P-UB-10	65 X 100 mm	495.14
KOB-2438U1132R100	P-UB-1	80 mm Rod Kit	248.37
KOB-2438U1132R200	N-N-10	120 mm Piston Kit	442.14
KOB-2438U1132R300	P-UB-10	80 X 120 mm	690.51
KOB-2438U1133R100	P-UB-1	70 mm Rod Kit	222.76
KOB-2438U1133R200	N-N-10	105 mm Piston Kit	314.98

Kit Number	Code (Pg. xiv)	Rod X Bore Size	List Price
KOB-2438U1133R300	P-UB-10	70 X 105 mm	\$510.87
KOB-2438U1135R300	P-UB-10	90 X 140 mm	540.07
KOB-2438U1137R100	P-UB-1	105 mm	326.73
KOB-2438U1137R200	P-UB-10	105 X 150 mm	554.34
KOB-2438U1170R100	P-UB-1	100 Rod Kit	202.90
KOB-2438U1170R200	N-N-10	150 mm	350.60
KOB-2438U1170R300	P-UB-10	100 X 150mm	561.20
KOB-2438U1171R100	P-UB-1	120 Rod Kit	280.86
KOB-2438U1171R200	N-N-10	170 mm Piston Kit	529.60
KOB-2438U1171R300	P-UB-10	120 X 170 mm	810.43
KOB-2438U1172R100	P-UB-1	100 mm	309.92
KOB-2438U1172R200	N-N-10	150 Piston Kit	358.32
KOB-2438U1172R300	P-UB-10	100 X 150 mm	636.64
KOB-2438U1172R400	N-N-10	150 mm	366.52
KOB-2438U1172R500	P-UB-10	100 X150 mm	764.12
KOB-2438U1173R100	P-UB-1	115 mm	365.83
KOB-2438U1173R200	N-N-14	170 mm	549.81
KOB-2438U1173R300	P-UB-14	115 X 170 mm	915.64
KOB-2438U1174R100	P-UB-1	130 mm	535.85
KOB-2438U1174R200	N-N-14	190 mm	767.58
KOB-2438U1174R300	P-UB-14	130 X 190 mm	1303.49
KOB-2438U1175R100	P-UB-1	110 mm	281.02
KOB-2438U1175R200	N-N-14	160 mm	443.32
KOB-2438U1175R300	P-UB-14	110 X 160 mm	661.49
KOB-2438U1323R100	P-UB-1	110 mm Rod Kit	334.04
KOB-2438U1323R110	N-N-10	160 mm Piston Kit	615.24
KOB-2438U1324R100	P-UB-1	100 mm Rod Kit	237.38
KOB-2438U1324R110	N-N-10	150 mm Piston Kit	307.98
KOB-2438U1343R120	P-U-1	130 mm Rod Kit	419.03
KOB-2438U1946R200	N-N-10	120 mm Piston Kit	313.45
KOB-2438U1946R300	P-UB-10	80 X 120 mm	465.78
KOB-2438U1948R100	P-UB-1	90 mm	242.70
KOB-2438U1948R200	N-N-10	130 mm Piston Kit	431.30
KOB-2438U1948R300	P-UB-10	90 X 130 mm	673.99
KOB-2438U1948R400	P-UB-1	90 mm Rod Kit	242.70
KOB-2438U1948R500	P-UB-10	90 X 130 mm	673.99
KOB-2438U1949R200	N-N-10	110 mm Piston Kit	386.45
KOB-2438U1949R300	P-UB-10	75 X 110 mm	349.71
KOB-2438U1949R400	P-UB-1	75 mm Rod Kit	173.71
KOB-2438U1949R500	P-UB-10	75 X 110 mm	491.66
KOB-2438U553R100	P-U-1	75 mm Rod Kit	235.32
KOB-2438U568R100	P-UB-1	90 mm Rod Kit	266.71
KOB-2438U568R110	N-N-10	130 mm Piston Kit	377.03
KOB-2438U587R100	N-N-10	90 mm Rod Kit	266.06
KOB-2438U587R110	N-N-10	140 mm Piston Kit	400.55
KOB-2438U588R110	P-UB-1	100 mm Rod Kit	288.08
KOB-2438U588R120	N-N-10	150 mm Piston Kit	408.90
KOB-2438U705R100	P-UB-1	60 mm	142.99

KOBELCO

REPLACEMENT KITS FOR KOBELCO

Kit Number	Code (Pg. xiv)	Rod X Bore Size	List Price
KOB-2438U716R140	N-N-10	110 mm Piston Kit	\$253.33
KOB-2438U721R100	P-UB-1	70 mm Rod Kit	298.21
KOB-2438U738R100	P-UB-1	65 mm	113.01
KOB-2438U738R200	N-N-10	100 mm	77.53
KOB-2438U738R300	P-UB-1	65 mm	113.01
KOB-2438U738R400	P-UB-10	65 X 100 mm	190.58
KOB-2438U776R100	P-UB-1	95 mm Rod Kit	306.97
KOB-2438U776R110	N-N-10	150 mm Piston Kit	496.70
KOB-2438U914R100	P-UB-1	85 mm Rod Kit	225.53
KOB-2438U914R200	N-N-10	125 mm Piston Kit	330.97
KOB-2438U915R100	P-UB-1	75 mm Rod Kit	170.41
KOB-2438U915R110	N-N-10	120 mm Piston Kit	323.00
KOB-2438U921R100	P-UB-1	95 mm Rod Kit	210.83
KOB-2438U921R110	N-N-10	145 mm Piston Kit	405.13
KOB-2438U941R100	P-UB-1	100 mm Rod Kit	293.82
KOB-2438U941R200	N-N-14	145 mm Piston Kit	537.60
KOB-2438U953R100	P-UB-1	105 mm Rod Kit	383.10
KOB-2438U953R200	N-N-10	150 mm Piston Kit	699.74
KOB-2438U959R100	P-UB-1	85 mm Rod Kit	201.04
KOB-2438U959R200	N-N-10	130 mm Piston Kit	450.13
KOB-2438U959R300	P-UB-10	85 X 130 mm	651.15
KOB-2438U971R100	P-UB-1	70 mm Rod Kit	235.04
KOB-2438U971R200	N-N-10	105 mm Piston Kit	314.95
KOB-2438U973R100	P-UB-1	80 mm Rod Kit	265.50
KOB-2438U973R200	N-N-10	120 mm Piston Kit	442.51
KOB-2438U974R100	P-UB-1	65 mm Rod Kit	201.96
KOB-2438U974R200	N-N-10	100 mm Piston Kit	325.66
KOB-2438U985R300	N-N-14	180 mm Piston Kit	571.89
KOB-2438U989R100	P-UB-1	70 mm Rod Kit	228.14
KOB-2438U989R200	N-N-10	100 mm Piston Kit	312.32
KOB-2438U991R100	P-UB-1	75 mm Rod Kit	226.24
KOB-2438U991R200	N-N-10	115 mm Piston Kit	428.28
KOB-2438U992R100	P-UB-1	65 mm Rod Kit	191.12
KOB-2438U992R200	N-N-10	95 mm Piston Kit	309.26
KOB-2438U995R100	P-UB-1	80 mm Rod Kit	189.21
KOB-2438U995R200	N-N-14	120 mm Piston Kit	497.30
KOB-2438U996R100	P-UB-1	85 mm Rod Kit	258.84
KOB-2438U996R200	N-N-14	125 mm Piston Kit	544.54
KOB-2438U999R100	P-UB-1	90 mm Rod Kit	248.57
KOB-2438U999R200	N-N-10	140 mm Piston Kit	478.75
KOB-2445R174R200	N-N-10	180 mm	449.69
KOB-2445Z-921F1	N-N-10	100 mm Piston Kit	188.80
KOB-2445Z-922F1	P-UB-1	50 mm Rod Kit	167.03
KOB-LC01V00001R200	N-N-10	140 mm	326.22
KOB-LC01V00001R300	P-UB-10	140 mm	462.89
KOB-LC01V00005R100	P-UB-1	120 mm	280.86
KOB-LC01V00005R200	N-N-10	170 mm	640.88
KOB-LC01V00005R300	P-UB-10	120 X 170 mm	915.67

Kit Number	Code (Pg. xiv)	Rod X Bore Size	List Price
KOB-LC01V00006R100	P-UB-1	100 mm	\$178.94
KOB-LC01V00006R200	N-N-10	150 mm	387.93
KOB-LC01V00006R300	P-UB-10	100 X 150 mm	566.86
KOB-LC01V00004R100	P-UB-1	100 mm	178.34
KOB-LC01V00004R200	N-N-10	140 mm	425.67
KOB-LC01V00004R300	P-UB-10	100 X 140 mm	604.00
KOB-LC01V00005R100	P-UB-1	120 mm	264.01
KOB-LC01V00005R200	N-N-10	170 mm	1024.38
KOB-LC01V00005R300	P-UB-10	120 X 170 mm	1249.61
KOB-LC01V00005R100	P-UB-1	100 mm	178.94
KOB-LC01V00005R200	N-N-10	150 mm	539.03
KOB-LC01V00005R300	P-UB-10	100 X 150 mm	717.99
KOB-LP01V00001R100	P-UB-1	70 mm	124.05
KOB-LP01V00001R200	N-N-14	100 mm	284.48
KOB-LP01V00001R300	P-UB-14	70 X 100 mm	408.50
KOB-LP01V00002R100	P-UB-1	80 mm	137.65
KOB-LP01V00004R100	P-UB-1	50 mm	138.23
KOB-LP01V00004R200	N-N-14	70 mm	265.42
KOB-LP01V00004R300	P-UB-14	50 X 70 mm	403.65
KOB-LQ01V00001R200	N-N-10	135 mm	312.62
KOB-LQ01V00001R400	P-UB-1	90 mm	153.28
KOB-LQ01V00005R300	P-UB-10	90 X 135 mm	465.92
KOB-LQ01V00007R100	P-UB-1	100 mm	169.43
KOB-LQ01V00007R200	N-N-10	140 mm	265.13
KOB-LQ01V00007R300	P-UB-10	100 X 140 mm	415.76
KOB-LQ01V00028R200	N-N-10	135 mm	320.59
KOB-LQ01V00028R300	P-UB-10	95 X 135 mm	465.55
KOB-LQ01V00030R100	P-UB-1	85 mm	154.30
KOB-LQ01V00030R200	N-N-10	125 mm	263.09
KOB-LQ01V00030R300	P-UB-10	85 X 125 mm	497.59
KOB-LQ01V00038R100	P-UB-1	105 mm	209.50
KOB-LQ01V00038R200	N-N-10	145 mm	310.16
KOB-LQ01V00038R300	P-UB-10	105 X 145 mm	511.82
KOB-LQ01V00005R300	P-UB-10	90 X 135 mm	570.66
KOB-PM01V00043R300	P-U-10	30 X 55 mm	80.61
KOB-PM01V00044R300	P-U-10	40 X 75 mm	174.79
KOB-PV01V00037R300	P-U-10	40 X 70 mm	285.17
KOB-PV01V00038R300	P-U-10	45 X 80 mm	136.65
KOB-PV01V00039R300	P-U-10	40 X 70 mm	285.17
KOB-PW01V00035R300	P-U-10	45 X 80 mm	93.16
KOB-PW01V00043R300	P-U-10	45 X 80 mm	104.53
KOB-PW01V00045R300	P-U-10	45 X 75 mm	109.71
KOB-PW01V00046R300	P-U-10	35 X 65 mm	100.51
KOB-PW01V00048R300	P-U-10	45 X 80 mm	93.16
KOB-PW01V000051R300	P-U-10	45 X 75 mm	100.17
KOB-PX01V00030R300	P-U-10	50 X 85 mm	130.96
KOB-PX01V00033R300	P-U-10	45 X 90 mm	114.57
KOB-PX01V00041R300	P-U-10	40 X 65 mm	118.43

REPLACEMENT KITS FOR KOBELCO

Kit Number	Code (Pg. xiv)	Rod X Bore Size	List Price
KOB-PX01V00042R300	P-U-10	45 X 80 mm	\$113.23
KOB-PX01V00043R300	P-U-10	50 X 100 mm	104.19
KOB-PX01V00045R300	P-U-10	45 X 80 mm	104.53
KOB-PX01V00048R300	P-U-10	45 X 80 mm	115.24
KOB-YB01V00010R100	P-UB-1	90 mm	168.06
KOB-YB01V00010R300	P-UB-10	90 X 125 mm	437.50
KOB-YB01V00011R100	P-UB-1	75 mm	144.95
KOB-YB01V00011R300	P-UB-10	75 X 105 mm	433.77
KOB-YF01V00001R200	N-N-10	125 mm	361.99
KOB-YF01V00001R300	P-UB-10	85 X 125 mm	516.29
KOB-YM01V00006R100	P-UB-1	80 mm	161.13
KOB-YM01V00006R200	N-N-10	110 mm	208.79
KOB-YM01V00006R300	P-UB-10	80 X 110 mm	369.93
KOB-YM01V00008R100	P-UB-1	90 mm	153.56
KOB-YM01V00008R200	N-N-10	125 mm	269.44
KOB-YM01V00008R300	P-UB-10	90 X 125 mm	489.12
KOB-YM01V00009R100	P-UB-1	75 mm	144.95
KOB-YM01V00009R200	N-N-10	105 mm	288.81
KOB-YM01V00009R300	P-UB-10	75 X 105 mm	433.77
KOB-YN01V00001R100	P-UB-1	80 mm	143.82
KOB-YN01V00001R200	N-N-14	120 mm	158.33
KOB-YN01V00001R300	P-UB-14	80 X 120 mm	302.15
KOB-YN01V00003R100	P-UB-1	95 mm	96.60
KOB-YN01V00003R200	N-N-14	135 mm	386.16
KOB-YN01V00003R300	P-UB-14	95 X 135 mm	482.76
KOB-YN01V00004R100	P-UB-1	75 mm	91.06
KOB-YN01V00004R200	N-N-14	115 mm	141.21
KOB-YN01V00004R300	P-UB-14	75 X 115 mm	232.27
KOB-YN01V00019R100	N-N-14	135 mm	386.16
KOB-YN01V00019R200	P-UB-14	95 X 135 mm	482.76
KOB-YN01V00039R200	N-N-14	135 mm	297.60
KOB-YN01V00039R300	P-UB-14	95 X 135 mm	394.17
KOB-YN01V00052R100	P-UB-1	85 mm	91.06
KOB-YN01V00052R200	N-N-14	125 mm	232.38
KOB-YN01V00052R300	P-UB-14	85 X 125 mm	323.42
KOB-YN01V00068R100	P-UB-1	80 mm	91.35
KOB-YN01V00068R200	N-N-14	115 mm	97.42
KOB-YN01V00068R300	P-UB-14	80 X 115 mm	188.76
KOB-YN01V00077R300	P-UB-14	80 X 115 mm	188.76
KOB-YN01V00078R300	P-UB-14	95 X 135 mm	394.17
KOB-YN01V00103R100	P-UB-1	85 mm	189.23
KOB-YN01V00103R200	N-N-10	125 mm	303.74
KOB-YN01V00103R300	P-UB-10	85 X 125 mm	492.95
KOB-YN01V00103R800	N-N-10	125 mm	303.74
KOB-YN01V00103R900	P-UB-10	85 X 125 mm	492.95
KOB-YN01V00105R100	P-UB-1	95 mm	220.96
KOB-YN01V00105R200	N-N-10	135 mm	389.90
KOB-YN01V00105R300	P-UB-10	95 X 135 mm	610.86

Kit Number	Code (Pg. xiv)	Rod X Bore Size	List Price
KOB-YN01V00105R800	N-N-10	135 mm	\$389.90
KOB-YN01V00105R900	P-UB-10	95 X 135 mm	610.86
KOB-YN01V00106R100	P-UB-1	80 mm	185.31
KOB-YN01V00106R200	N-N-10	115 mm	250.41
KOB-YN01V00106R300	P-UB-10	80 X 115 mm	435.69
KOB-YN01V00106R700	P-UB-10	80 X 115 mm	435.69
KOB-YN01V00112R100	P-UB-1	80 mm	221.73
KOB-YN01V00112R800	N-N-10	120 mm	377.97
KOB-YN01V00112R900	P-UB-10	80 X 120 mm	605.23
KOB-YN01V00151R100	P-UB-1	85 mm	184.41
KOB-YN01V00151R200	N-N-10	120 mm	188.22
KOB-YN01V00151R300	P-UB-10	85 X 120 mm	688.43
KOB-YN01V00151R600	N-N-10	120 mm	190.11
KOB-YN01V00151R700	P-UB-10	85 X 120 mm	495.43
KOB-YN01V00153R100	P-UB-1	80 mm	191.48
KOB-YN01V00153R300	P-UB-10	80 X 120 mm	390.26
KOB-YN01V00175R100	P-UB-1	95 mm	189.14
KOB-YN01V00175R200	N-N-10	135 mm	428.22
KOB-YN01V00175R300	P-UB-10	95 X 135 mm	630.92
KOB-YW01V00003R200	N-N-14	95 mm	132.97
KOB-YX01V00004R600	P-UB-1	80 mm	138.81
KOB-YX01V00005R100	P-UB-1	65 mm	115.70
KOB-YX01V00005R200	N-N-14	95 mm	132.97
KOB-YX01V00005R300	P-UB-14	65 X 95 mm	159.85
KOB-YX01V00006R100	P-UB-1	65 mm	148.53
KOB-YX01V00006R200	N-N-10	110 mm	138.98
KOB-YX01V00006R300	P-UB-10	65 X 110 mm	287.50
KOB-YX01V00008R100	P-UB-1	70 mm	83.21
KOB-YX01V00008R200	N-N-14	105 mm	157.83
KOB-YX01V00008R300	P-UB-14	70 X 105 mm	241.07
KOB-YX01V00008R700	P-UB-14	70 X 105 mm	319.84
KOB-YY01V00001R100	P-UB-1	70 mm	124.05
KOB-YY01V00001R200	N-N-14	100 mm	284.48
KOB-YY01V00001R300	P-UB-14	70 X 100 mm	408.50
KOB-YY01V00003R100	P-UB-1	80 mm	137.65
KOB-YY01V00003R200	N-N-14	115 mm	236.16
KOB-YY01V00003R300	P-UB-14	80 X 115 mm	373.80
KOB-YY01V00004R900	P-UB-1	80 mm	138.81
KOB-YY01V00004R910	P-UB-14	80 X 115 mm	375.02
KOB-YY01V00005R600	P-UB-1	65 mm	135.39
KOB-YY01V00005R700	P-UB-14	65 X 95 mm	172.53
KOB-YY01V00009R100	P-UB-1	80 mm	137.65
KOB-YY01V00009R200	N-N-14	115 mm	236.16
KOB-YY01V00009R300	P-UB-14	80 X 115 mm	373.80
KOB-YY01V00045R600	P-UB-1	70 mm	161.99
KOB-YY01V00045R700	P-UB-14	70 X 100 mm	446.43

REPLACEMENT PARTS FOR KOBELCO EQUIPMENT

Repair parts for Kobelco are available online at www.HerculesUS.com or by contacting the Hercules Sales Team at the information provided below.
Scan the QR code for quick access.



KOBELCO

KOEHRING

Repair parts for Koehring are available online at www.HerculesUS.com or by contacting the Hercules Sales Team at the information provided below.

REPLACEMENT SEAL KITS FOR KOMATSU EQUIPMENT*

Replacement Seal Kits By Machine Type

Machine Type	Table of Contents	Page
Backhoe Loaders	WB140-2, WB140-2N, WB140PS-2, WB140PS-2N, WB146-5, WB146PS-5, WB150-2, WB150-2N, WB150AWS-2, WB150AWS-2N, WB150PS-2, WB150PS-2N	870 - 874
Crawler Dozers	D20A-7, D21A-7, D20P-7A, D21P-7A, D20PLL-6, D21A-8, D21P-8, D21PL-5, D31E-20, D31EX-21, D31PX-21, D31EX-21A, D31PX-21A, D31EX-22, D31P-20, D31PX-22, D31Q-20, D37E-5, D37P-5, D37EX-21, D37PX-21, D37EX-21A, D37PX-21A, D37EX-22, D37EX-23, D37PX-22, D39EX-21, D39PX-21, D39EX-21A, D39PX-21A, D39EX-22, D39EX-23, D39EX-24, D39EXi-23, D39EXi-24, D39PX-22, D39PX-23, D39PX-24, D39PXi-23, D39PXi-24, D40A-1, D40P-1, D40A-3, D40F-3, D40P-3, D40PL-3, D40PL-3, D40PL-3, D40PL-3, D41A-6, D41E-6, D41P-6, D50-17, D50A-17, D50P-17, D50PL-17, D51EX-22, D51EX-24, D51EXi-22, D51EXi-24, D51PX-22, D51PX-24, D51PXi-22, D51PXi-24, D58E-1B, D60A-8, D60A-8, D65A-8, D60E-8, D60P-8, D60PL-8, D60S-8, D61EX-12, D61PX-12, D61EX-15, D61PX-15, D61EX-24, D61EXi-23, D61EXi-24, D61PX-23, D61PX-24, D61PXi-23, D61PXi-24, D65A-8, D65E-12, D65EX-12, D65EX-15, D65EX-15E0, D65EX-16, D65EX-17, D65EX-18, D65EXi-18, D65P-12, D65PX-12, D65PX-15, D65PX-15E0, D65PX-16, D65PX-17, D65PX-18, D65PXi-18, D65WX-17, D65WX-18, D75S-5, D85A-21, D85A-21, D85E-21, D85E-21, D85P-21, D95S-2, D155A-3, D155AX-3, D155AX-5, D155AX-6, D155AX-7, D155AX-8, D275A-2, D275A-5, D375A-2, D375A-3, D375A-5, D375A-6, D475A-2, D475A-3, D475A-3 SD, D475A-5, D475A-5E0, D475ASD-5E0	874 - 896
Dump Trucks - Articulated	HM300-1, HM300-1L, HM300-2, HM300-3, HM400-1, HM400-1L, HM400-2, HM400-3	897 - 899
Excavators	PC12R-8, PC15R-8, PC20-7, PC20MRX-1, PC20R-8, PC25R-8, PC27MR-2, PC27MRX-1, PC27R-8, PC30MRX-1, PC35MR-2, PC35MRX-1A, PC35R-8, PC40MR-1, PC40MRX-1, PC40MR-2, PC40R-8, PC45-1, PC45MRX-1, PC45R-8, PC50MR-2, PC50U-2, PC60-7, PC60U-5, PC75UU-2, PC75UU-3, PC78MR-6, PC78US-5, PC78US-6, PC88MR-8, PC95R-2, PC100-6, PC120-6, PC128US-2, PC128UU, PC128UU-2, PC130-6, PC130-7K, PC138USLC-2, PC138USLC-8, PC138USLC-10, PC138USLC-11, PC150-5, PC150-6K, PC150LC-6K, PC160-6K, PC160LC-7, PC160LC-7-E0, PC160LC-7K, PC160LC-7K-KA, PC160LC-8, PC170LC-10, PC170LC-11, PC180LC-6K, PC180LC-7K, PC180NLC-6K, PC180NLC-7K, PC200-2, PC200-6, PC200-6S, PC200LC-6S, PC200-7, PC200LC-7, PC200LC-6, PC200LC-6LE, PC200LC-7L, PC200LC-7-US, PC200LC-8, PC200LC-8E0, PC210-6, PC210-6K, PC210-7K, PC210LC-6, PC210LC-6K, PC210LC-7K, PC210LC-8K, PC210LC-10, PC210LC-11, PC210LCi-10, PC210LCi-11, PC210NLC-7K, PC220-6, PC220LC-6, PC220LC-6L, PC220LC-6LE, PC220LC-7, PC220LC-7L, PC228USLC-1, PC228USLC-2, PC228USLC-3, PC228USLC-3E0, PC228USLC-3S, PC228USLC-8, PC228USLC-10, PC230-6, PC238USLC-11, PC240-6K, PC240LC-6K, PC240LC-7K, PC240LC-10, PC240LC-11, PC240NLC-6K, PC240NLC-7K, PC250LC-6, PC270-8, PC270LC-7L, PC270LC-8, PC270LL-7L, PC290LC-6K, PC290LC-7K, PC290LC-10, PC290LC-11, PC290LL-11, PC290NLC-6K, PC290NLC-7K, PC300-5, PC300LC-5, PC300-6, PC300-7, PC300HD-7E0, PC300HD-7L, PC300HD-8, PC300LC-7, PC300LC-7E0, PC300LC-7L, PC300LC-8, PC300LL-7E0, PC300LL-7L, PC308USLC-3, PC308USLC-3E0-W1, PC340-6K, PC340LC-6K, PC340LC-7K, PC340NLC-6K, PC340NLC-7K, PC350-6, PC350LC-8, PC360LC-10, PC360LC-11, PC360LCi-11, PC400-5 L/S, PC400-5, PC400LC-5, PC400-6, PC400-7, PC400LC-7, PC400-7E0, PC400LC-7E0, PC400LC-7L, PC400LC-8, PC450-6, PC450-6K, PC450-7K, PC450LC-6K, PC450LC-7K, PC450LC-8, PC490LC-10, PC490LC-11, PC490LCi-11, PC600-6, PC600LC-6, PC600LC-6A, PC600LC-6K, PC600LC-7, PC600LC-8, PC650-5, PC750-6, PC750SE-6, PC800-6, PC800-7, PC800SE-6, PC800SE-8, PC1000-1, PC1000SE-1, PC1000SP-1, PC1100-6, PC1100SP-6, PC1250-7, PC1250-8, PC1250LC-7, PC1250LC-8, PC1250SP-7, PC1250SP-8, PC1800-6, PC2000-8, PC8000-6E	900 - 934
Excavators - Compact	PC27MR-3, PC28UU-2, PC28UU-3, PC35MR-3, PC35MR-5, PC45MR-5, PC55MR-5, PC55MR-5, PC78US-10, PC88MR-10	934 - 939
Excavators - Wheel	PW05-1, PW20-1, PW30-1, PW60-N-1, PW60-3, PW100-1, PW100-3, PW150-1, PW150-3, PW210-1	939 - 941
Loaders - Skid Steer	SK815-5, SK815-5N, SK1020-5, SK1020-5N, SK1020-5NA	941
Loaders - Track Skid Steer	CK30-1, CK35-1	941
Loaders - Wheel	WA40-1, WA50-3, WA65-3, WA65-5, WA70-1, WA120-1, WA120-3, WA180-1, WA180-3, WA200-5L, WA200-6, WA200-7, WA200-8, WA200L-5, WA200PZ-6, WA250-1, WA250-3, WA250-5, WA250-5L, WA250-6, WA250L-5, WA250PT-5, WA250PTL-5, WA250PTL-5L, WA250PZ-6, WA270-7, WA270-8, WA320-1, WA320-3, WA320-3L, WA320-5L, WA320-6, WA320-7, WA320-8, WA320PT-5L, WA320PZ-6, WA380-1, WA380-3, WA380-5L, WA380-6, WA380-7, WA380-8, WA420-1, WA420-3, WA430-6, WA450-2, WA450-3, WA450-5L, WA450-6, WA470-3, WA470-5, WA470-6, WA470-7, WA470-8, WA500-1, WA500-3, WA500-3LE, WA500-6, WA500-7, WA500-8, WA600-1, WA600-3, WA600-3L, WA600-6, WA700-1, WA700-3, WA800-1, WA800-2, WA800-3, WA900-1, WA900-3, WA900-3E0, WA900-3LC, WA900L-3	941 - 958
Motor Graders	GD200A-1, GD461A-1, GD663A-1, GD705A-4, GD825A-2	958
Off-Highway Trucks	830, 830E, 930, 930E-4, HD205-3, HD325-3, HD325-5, HD465-3, HD785-3, HD785-5, HD985-3, HD1200M-1	958 - 959
Wheel Dozers	WD600-3	959
Alpha-Numeric Kit Listing		960 - 969
Komatsu Individual Parts		Found Online

Komatsu Lift Trucks and Track Adjuster Kits

The following models are available online at www.HerculesUS.com or by calling your regional sales team at www.HerculesUS.com		
Crawler Dozers	D20A-5, D20A-6, D20P-5, D20P-5A, D20Q-5, D20PL-5, D20P-6, D20P-6A, D20Q-6, D20S-6, D20S-5, D21A-5, D21A-6, D21E-6, D21P-5, D21P-5A, D21Q-5, D21S-5, D21P-6, D21P-6A/B, D21Q-6, D21S-6, D31A-17, D31E-18, D31P-17, D31P-17A/B, D31PL-17, D31PLL-17, D31P-18, D31PL-18, D31PLL-18, D31P-18A, D31Q-17, D31Q-18, D31S-17, D31S-18, D31S-20, D355A-3, D355A-5, D375A-1, D37E-1, D37P-1, D37E-2, D37P-2, D41A-3, D41P-3, D41E-3, D41Q-3, D41S-3, D45A-1, D45P-1, D45E-1, D45S-1, D475A-1, D50S-16, D50A-16, D50P-16, D53A-16, D53-17, D53P-16, D53P-17, D53S-16, D53S-17, D57S-1, D57S-1B, D58E-1, D58P-1, D60E-7, D60A-7, D60S-7, D60P-7, D60PL-7, D63E-1, D65A-6, D65A-7, D65E-7, D65A-7, D65E-7, D65E-8, D65P-6, D65P-7, D65S-7, D65P-8, D65S-8, D66S-1, D68E-1, D68P-1, D75A-1, D75S-3, D80A-18, D80E-18, D83E-1, D83P-1, D85A-18, D85E-18, D85E-SS-2A, D135A-1, D135A-2, D155A-1, D155A-2	
Excavators	PC05-5, PC05-6, PC10-5, PC10-6, PC10-7, PC12UU-1, PC15-2, PC15-1, PC15-3, PC20-5, PC20-6, PC25-1, PC280LC-3, PC28UU-1, PC30-5, PC30-6, PC30-7, PC360LC-3, PC38UU-1, PC40-5, PC40-6, PC40-7, PC50UU-1, PC60-5, PC60L-5, PC60-6, PC60L-6, PC650-1, PC650-3, PC710-5, PC75UU-1, PC80-3, PC80LC-3, PC90-1, PC100-3, PC100-1/2, PC100L-3, PC100U-3, PC100-5, PC100L-5, PC120-3, PC120-5, PC150-1, PC150-3, PC150LC-3, PC200-1, PC200-3, PC200LC-3, PC200-5, PC200LC-5, PC210-3, PC210LC-3, PC220, PC220LC, PC220-2/-3, PC220-5, PC220LC-5, PC300-3, PC300LC-3, PC400-3, PC400LC-3	
Loaders - Wheel	WA20-1, WA30-1, WA30-2, WA100-1, WA150-1, WA200-1, WA300-1, WA350-1, WA400-1, WA450-1, WA470-1	
Motor Graders	GD300A-1, GD313A-1, GD405A-1, GD505A-2, GD511A-1, GD515A-1, GD500R, 505R, 510, 513, 521, 523, GD525A-1, GD615A-1, GD623A-1, GD600R, 605, 611, 613, 621, 623, GD625A-1, GD705A-3, GD725A-1, GD825A-1	

All manufacturer's names, part numbers and descriptions are used for reference purposes only. We do not imply that any part shown is the product of these manufacturers. We also do not imply that the list price shown is exactly that of the manufacturer.

Replacement Kits For

KOMATSU

Backhoe Loaders

APPLICATION	CYL #	SERIAL #	Misc	CODE	ROD	BORE	KIT #	List \$
MODEL WB140-2								
B/H ARM	395002005	140F10001-		P-UB-14	60 mm	110 mm	KOM-878000490	172.12
B/H BOOM	395001007	140F10001- 140F10943		P-UB-14	60 mm	120 mm	KOM-878000489	170.29
	395001009	140F11531-		P-UB-14	60 mm	120 mm	KOM-878000489	170.29
B/H BOOM SWING LH	395005010	140F10001- 140F11408		P-UB-14	50 mm	115 mm	KOM-878000542	132.59
	395005018	140F11409-		P-UB-14	50 mm	115 mm	KOM-878000542	132.59
	707-02-11510	30026-		P-U-14	50 mm	115 mm	KOM-707-98-33500	140.23
	707-02-11510	30026-		Bushing	50 mm		KOM-07177-05030	21.84
B/H BOOM SWING RH	395005009	140F10001- 140F11408		P-UB-14	50 mm	115 mm	KOM-878000542	132.59
	395005017	140F11409-		P-UB-14	50 mm	115 mm	KOM-878000542	132.59
	707-02-11520	30026-		P-U-14	50 mm	115 mm	KOM-707-98-33500	140.23
	707-02-11520	30026-		Bushing	50 mm		KOM-07177-05030	21.84
B/H BUCKET	395003003	140F10001- 140F11530		P-UB-14	60 mm	95 mm	KOM-878000492	156.76
	395003005	140F11531-		P-UB-14	60 mm	95 mm	KOM-878000492	156.76
B/H OUTRIGGER LH	395011005	140F10001- 140F10792		P-UB-14	55 mm	110 mm	KOM-878000494	113.45
	395011008	140F10793-		P-UB-14	55 mm	110 mm	KOM-878000494	113.45
B/H OUTRIGGER RH	395011006	140F10001- 140F10792		P-UB-14	55 mm	110 mm	KOM-878000494	113.45
	395011007	140F10793-		P-UB-14	55 mm	110 mm	KOM-878000494	113.45
B/H TELESCOPIC ARM	395009001	140F10001- 140F11530		P-UB-10	40 mm	70 mm	KOM-878000388	106.83
	395009006	140F11531-		P-UB-10	40 mm	70 mm	KOM-878000388	106.83
L/S BOOM	395012014	140F10001-		P-UB-14	50 mm	85 mm	KOM-878000486	132.01
	707-00-80C10	30026-		P-U-14	50 mm	80 mm	KOM-707-98-25090	130.48
	707-00-80C10	30026-		Bushing	50 mm		KOM-07177-05030	21.84
L/S BUCKET	395013017	140F10001- 140F11450		P-UB-14	50 mm	80 mm	KOM-878000487	119.08
	707-00-85080	30026-		P-U-14	50 mm	85 mm	KOM-707-98-25830	168.67
	707-00-85080	30026-		Bushing	50 mm		KOM-07177-05030	21.84
L/S BUCKET LH	395013017	140F11451-		P-UB-14	50 mm	80 mm	KOM-878000487	119.08
L/S BUCKET MP	312230674	140F10001-		I-U-15	45 mm	80 mm	KOM-827020113	47.14
L/S BUCKET QC	200060282	140F10001-		I-SP-10	18 mm	30 mm	KOM-42N-879-1980	71.22
L/S BUCKET RH	395013019	140F11451-		P-UB-14	50 mm	80 mm	KOM-878000487	119.08
OUTRIGGER LH	721-00-11540	30026-		P-U-14	55 mm	110 mm	KOM-707-98-34460	128.97
	721-00-11540	30026-		Bushing	55 mm		KOM-07177-05530	25.79
OUTRIGGER RH	721-00-11550	30026-		P-U-14	55 mm	110 mm	KOM-707-98-34460	128.97
	721-00-11550	30026-		Bushing	55 mm		KOM-07177-05530	25.79
MODEL WB140-2N								
B/H ARM	2938-856-730	A20814-		P-UB-14	60 mm	110 mm	KOM-878000490	172.12
	395002005	A20001-A20813		P-UB-14	60 mm	110 mm	KOM-878000490	172.12
B/H BOOM	395001007	A20637-		P-UB-14	60 mm	120 mm	KOM-878000489	170.29
	395001009	A20001-A20636		P-UB-14	60 mm	120 mm	KOM-878000489	170.29
B/H BOOM SWING LH	395005018	A20001-A20636		P-UB-14	50 mm	115 mm	KOM-878000542	132.59
	395005022	A20637-		P-UB-14	50 mm	115 mm	KOM-878000542	132.59
B/H BOOM SWING RH	395005017	A20001-A20636		P-UB-14	50 mm	115 mm	KOM-878000542	132.59
	395005021	A20637-		P-UB-14	50 mm	115 mm	KOM-878000542	132.59
B/H BUCKET	395003005	A20001-		P-UB-14	60 mm	95 mm	KOM-878000492	156.76
B/H OUTRIGGER	395011007	A20637-		P-UB-14	55 mm	110 mm	KOM-878000494	113.45
B/H OUTRIGGER LH	395011008	A20001-A20636		P-UB-14	55 mm	110 mm	KOM-878000494	113.45
B/H OUTRIGGER RH	395011007	A20001-A20636		P-UB-14	55 mm	110 mm	KOM-878000494	113.45
B/H TELESCOPIC ARM	395009005	A20637-		P-UB-10	40 mm	70 mm	KOM-878000388	106.83
	395009006	A20001-A20636		P-UB-10	40 mm	70 mm	KOM-878000388	106.83

LT - Large size tire L/S - Loading Shovel SLF - Super Long Front B/H - Backhoe HD - Heavy Duty L BUCKET - Large Bucket
K-LINK - K-type Linkage Blade LB HI-LIFT - High Lift Arm w Large Bucket HI-LIFT - High Lift Arm S HI-LIFT - Super High Lift Arm
SU - Semi-U Dozer PAT - Power Angle Power Tilt MP - Mulit-Purpose

KOMATSU

Replacement Kits For

Backhoe Loaders								
APPLICATION	CYL #	SERIAL #	Misc	CODE	ROD	BORE	KIT #	List \$
MODEL WB140-2N								
L/S BOOM	2938-62-1290	A20814-		P-UB-14	50 mm	85 mm	KOM-878000486	132.01
	395012014	A20001-A20813		P-UB-14	50 mm	85 mm	KOM-878000486	132.01
L/S BUCKET	395013017	A20001-A20636		P-UB-14	50 mm	80 mm	KOM-878000487	119.08
L/S BUCKET LH	395013017	A20637-A20813		P-UB-14	50 mm	80 mm	KOM-878000487	119.08
L/S BUCKET MP	312230674	A20001-		I-U-15	45 mm	80 mm	KOM-827020113	47.14
L/S BUCKET QC	200060282	A20001-A20636		I-SP-10	18 mm	30 mm	KOM-42N-879-1980	71.22
L/S BUCKET RH	395013019	A20637-A20813		P-UB-14	50 mm	80 mm	KOM-878000487	119.08
	395013022	A20814-		P-UB-14	50 mm	80 mm	KOM-878000487	119.08
MODEL WB140PS-2								
B/H ARM	395002005	140F50001-		P-UB-14	60 mm	110 mm	KOM-878000490	172.12
B/H BOOM	395001007	140F50001- 140F50091		P-UB-14	60 mm	120 mm	KOM-878000489	170.29
	395001009	140F50092-		P-UB-14	60 mm	120 mm	KOM-878000489	170.29
B/H BOOM SWING LH	395005010	140F50001-		P-UB-14	50 mm	115 mm	KOM-878000542	132.59
	395005018	140F50092-		P-UB-14	50 mm	115 mm	KOM-878000542	132.59
B/H BOOM SWING RH	395005009	140F50001-		P-UB-14	50 mm	115 mm	KOM-878000542	132.59
	395005017	140F50092-		P-UB-14	50 mm	115 mm	KOM-878000542	132.59
B/H BUCKET	395003003	140F50001- 140F50091		P-UB-14	60 mm	95 mm	KOM-878000492	156.76
	395003005	140F50092-		P-UB-14	60 mm	95 mm	KOM-878000492	156.76
B/H OUTRIGGER LH	395011008	140F50001-		P-UB-14	55 mm	110 mm	KOM-878000494	113.45
B/H OUTRIGGER RH	395011007	140F50001-		P-UB-14	55 mm	110 mm	KOM-878000494	113.45
B/H TELESCOPIC ARM	395009001	140F50001- 140F50091		P-UB-10	40 mm	70 mm	KOM-878000388	106.83
	395009006	140F50092-		P-UB-10	40 mm	70 mm	KOM-878000388	106.83
L/S BOOM	395012014	140F50001-		P-UB-14	50 mm	85 mm	KOM-878000486	132.01
L/S BUCKET	395013017	140F50001- 140F50091		P-UB-14	50 mm	80 mm	KOM-878000487	119.08
L/S BUCKET LH	395013017	140F50092-		P-UB-14	50 mm	80 mm	KOM-878000487	119.08
L/S BUCKET MP	312230674	140F50001-		I-U-15	45 mm	80 mm	KOM-827020113	47.14
L/S BUCKET QC	200060282	140F50001-		I-SP-10	18 mm	30 mm	KOM-42N-879-1980	71.22
L/S BUCKET RH	395013019	140F50092-		P-UB-14	50 mm	80 mm	KOM-878000487	119.08
MODEL WB140PS-2N								
B/H ARM	2938-856-730	A40043-		P-UB-14	60 mm	110 mm	KOM-878000490	172.12
	395002005	A40034-A40042		P-UB-14	60 mm	110 mm	KOM-878000490	172.12
	395002006	A40001-A40033		P-UB-14	60 mm	115 mm	KOM-878000491	180.23
B/H BOOM	395001007	A40034-		P-UB-14	60 mm	120 mm	KOM-878000489	170.29
	395001010	A40001-A40033		P-UB-14	60 mm	125 mm	KOM-878000541	226.14
B/H BOOM SWING LH	395005018	A40001-A40033		P-UB-14	50 mm	115 mm	KOM-878000542	132.59
	395005022	A40034-		P-UB-14	50 mm	115 mm	KOM-878000542	132.59
B/H BOOM SWING RH	395005017	A40001-A40033		P-UB-14	50 mm	115 mm	KOM-878000542	132.59
	395005021	A40034-		P-UB-14	50 mm	115 mm	KOM-878000542	132.59
B/H BUCKET	395003005	A40001-		P-UB-14	60 mm	95 mm	KOM-878000492	156.76
B/H OUTRIGGER	395011007	A40034-		P-UB-14	55 mm	110 mm	KOM-878000494	113.45
	395011008	A40001-A40033		P-UB-14	55 mm	110 mm	KOM-878000494	113.45
B/H TELESCOPIC ARM	395009005	A40034-		P-UB-10	40 mm	70 mm	KOM-878000388	106.83
	395009006	A40001-A40033		P-UB-10	40 mm	70 mm	KOM-878000388	106.83
L/S BOOM	2938-62-1290	A40043-		P-UB-14	50 mm	85 mm	KOM-878000486	132.01
	395012014	A40001-A40042		P-UB-14	50 mm	85 mm	KOM-878000486	132.01
L/S BUCKET LH	395013017	A40001-		P-UB-14	50 mm	80 mm	KOM-878000487	119.08
L/S BUCKET MP	312230674	A40001-		I-U-15	45 mm	80 mm	KOM-827020113	47.14
L/S BUCKET QC	200060282	A40001-A40033		I-SP-10	18 mm	30 mm	KOM-42N-879-1980	71.22
L/S BUCKET RH	395013019	A40001-A40042		P-UB-14	50 mm	80 mm	KOM-878000487	119.08
	395013022	A40043-		P-UB-14	50 mm	80 mm	KOM-878000487	119.08
MODEL WB146-5								
B/H ARM	707-00-0Y873	A23001-		P-UB-14	60 mm	115 mm	KOM-707-99-35590	137.61

LT - Large size tire L/S - Loading Shovel SLF - Super Long Front B/H - Backhoe HD - Heavy Duty L BUCKET - Large Bucket
K-LINK - K-type Linkage Blade LB HI-LIFT - High Lift Arm w Large Bucket HI-LIFT - High Lift Arm S HI-LIFT - Super High Lift Arm
SU - Semi-U Dozer PAT - Power Angle Power Tilt MP - Muilt-Purpose

FORMERLY LISTED REPAIR PARTS ARE AVAILABLE ONLINE AT WWW.HERCULESUS.COM
OR BY CONTACTING YOUR REGIONAL HERCULES SALES TEAM.

KOMATSU

Replacement Kits For

Backhoe Loaders								
APPLICATION	CYL #	SERIAL #	Misc	CODE	ROD	BORE	KIT #	List \$
MODEL WB146-5								
B/H BOOM	707-00-0Y942	A23001-		P-UB-14	60 mm	120 mm	KOM-707-99-41270	190.15
B/H BUCKET	707-00-0Y902	A23001-		P-UB-14	55 mm	90 mm	KOM-707-99-26530	171.23
B/H OUTRIGGER LH	707-00-0Y830	A23001-		P-UB-14	50 mm	100 mm	KOM-707-99-32190	153.88
B/H OUTRIGGER RH	707-00-0Y840	A23001-		P-UB-14	50 mm	100 mm	KOM-707-99-32190	153.88
B/H SWING	707-02-07731	A23001-		P-UB-14	50 mm	100 mm	KOM-707-99-32070	219.99
B/H TELESCOPIC ARM	42N-6C-13301	A23001-		P-UB-10	40 mm	70 mm	KOM-42N-6C-13330	86.25
L/S BOOM	42N-6C-A1500	A23001-		P-UB-14	50 mm	90 mm	KOM-2938-6C-1290	152.59
L/S BUCKET LH	42N-6C-A1700	A23001-		P-UB-14	45 mm	70 mm	KOM-2938-6C-1480	125.91
L/S BUCKET MP	42N-6C-12800	A23001-		P-UB-14	40 mm	70 mm	KOM-42N-6C-13340	117.69
L/S BUCKET RH	42N-6C-A1800	A23001-		P-UB-14	45 mm	70 mm	KOM-2938-6C-1480	125.91
MODEL WB146PS-5								
B/H ARM	707-00-0Y873	A43001-		P-UB-14	60 mm	115 mm	KOM-707-99-35590	137.61
B/H BOOM	707-00-0Y942	A43001-		P-UB-14	60 mm	120 mm	KOM-707-99-41270	190.15
B/H BUCKET	707-00-0Y902	A43001-		P-UB-14	55 mm	90 mm	KOM-707-99-26530	171.23
B/H OUTRIGGER LH	707-00-0Y830	A43001-		P-UB-14	50 mm	100 mm	KOM-707-99-32190	153.88
B/H OUTRIGGER RH	707-00-0Y840	A43001-		P-UB-14	50 mm	100 mm	KOM-707-99-32190	153.88
B/H SWING	707-02-07731	A43001-		P-UB-14	50 mm	100 mm	KOM-707-99-32070	219.99
B/H TELESCOPIC ARM	42N-6C-13301	A43001-		P-UB-10	40 mm	70 mm	KOM-42N-6C-13330	86.25
L/S BOOM	42N-6C-A1500	A43001-		P-UB-14	50 mm	90 mm	KOM-2938-6C-1290	152.59
L/S BUCKET LH	42N-6C-A1700	A43001-		P-UB-14	45 mm	70 mm	KOM-2938-6C-1480	125.91
L/S BUCKET MP	42N-6C-12800	A43001-		P-UB-14	40 mm	70 mm	KOM-42N-6C-13340	117.69
L/S BUCKET RH	42N-6C-A1800	A43001-		P-UB-14	45 mm	70 mm	KOM-2938-6C-1480	125.91
MODEL WB150-2								
B/H ARM	395002006	150F10001-		P-UB-14	60 mm	115 mm	KOM-878000491	180.23
B/H BOOM	395001008	150F10001- 150F10164		P-UB-14	60 mm	125 mm	KOM-878000541	226.14
	395001010	150F10165-		P-UB-14	60 mm	125 mm	KOM-878000541	226.14
B/H BUCKET	395003003	150F10001-		P-UB-14	60 mm	95 mm	KOM-878000492	156.76
	395003005	150F10293-		P-UB-14	60 mm	95 mm	KOM-878000492	156.76
B/H OUTRIGGER LH	395011005	150F10001- 150F10124		P-UB-14	55 mm	110 mm	KOM-878000494	113.45
	395011008	150F10125-		P-UB-14	55 mm	110 mm	KOM-878000494	113.45
B/H OUTRIGGER RH	395011006	150F10001- 150F10124		P-UB-14	55 mm	110 mm	KOM-878000494	113.45
	395011007	150F10125-		P-UB-14	55 mm	110 mm	KOM-878000494	113.45
B/H SWING LH	395005010	150F10001- 150F10277		P-UB-14	50 mm	115 mm	KOM-878000542	132.59
	395005018	150F10278-		P-UB-14	50 mm	115 mm	KOM-878000542	132.59
B/H SWING RH	395005009	150F10001- 150F10277		P-UB-14	50 mm	115 mm	KOM-878000542	132.59
	395005017	150F10278-		P-UB-14	50 mm	115 mm	KOM-878000542	132.59
B/H TELESCOPIC ARM	395009001	150F10001-		P-UB-10	40 mm	70 mm	KOM-878000388	106.83
	395009006	150F10293-		P-UB-10	40 mm	70 mm	KOM-878000388	106.83
L/S BOOM	395012014	150F10001-		P-UB-14	50 mm	85 mm	KOM-878000486	132.01
L/S BUCKET	395013017	150F10001-		P-UB-14	50 mm	80 mm	KOM-878000487	119.08
L/S BUCKET LH	395013017	150F10293-		P-UB-14	50 mm	80 mm	KOM-878000487	119.08
L/S BUCKET MP	312230674	150F10001-		I-U-15	45 mm	80 mm	KOM-827020113	47.14
L/S BUCKET QC	200060282	150F10001-		I-SP-10	18 mm	30 mm	KOM-42N-879-1980	71.22
L/S BUCKET RH	395013019	150F10293-		P-UB-14	50 mm	80 mm	KOM-878000487	119.08
MODEL WB150-2N								
B/H ARM	2938-856-730	A60049-		P-UB-14	60 mm	110 mm	KOM-878000490	172.12
	395002005	A60029-A60048		P-UB-14	60 mm	110 mm	KOM-878000490	172.12
	395002006	A60001-A60028		P-UB-14	60 mm	115 mm	KOM-878000491	180.23
B/H BOOM	395001007	A60029-		P-UB-14	60 mm	120 mm	KOM-878000489	170.29
	395001010	A60001-A60028		P-UB-14	60 mm	125 mm	KOM-878000541	226.14
B/H BUCKET	395003005	A60001-		P-UB-14	60 mm	95 mm	KOM-878000492	156.76

LT - Large size tire L/S - Loading Shovel SLF - Super Long Front B/H - Backhoe HD - Heavy Duty L BUCKET - Large Bucket
 K-LINK - K-type Linkage Blade LB HI-LIFT - High Lift Arm w Large Bucket HI-LIFT - High Lift Arm S HI-LIFT - Super High Lift Arm
 SU - Semi-U Dozer PAT - Power Angle Power Tilt MP - Mulit-Purpose

Replacement Kits For

KOMATSU

Backhoe Loaders								
APPLICATION	CYL #	SERIAL #	Misc	CODE	ROD	BORE	KIT #	List \$
MODEL WB150-2N								
B/H OUTRIGGER	395011007	A60029-		P-UB-14	55 mm	110 mm	KOM-878000494	113.45
B/H OUTRIGGER LH	395011008	A60001-A60028		P-UB-14	55 mm	110 mm	KOM-878000494	113.45
B/H OUTRIGGER RH	395011007	A60001-A60028		P-UB-14	55 mm	110 mm	KOM-878000494	113.45
B/H SWING LH	395005018	A60001-A60028		P-UB-14	50 mm	115 mm	KOM-878000542	132.59
	395005022	A60029-		P-UB-14	50 mm	115 mm	KOM-878000542	132.59
B/H SWING RH	395005017	A60001-A60028		P-UB-14	50 mm	115 mm	KOM-878000542	132.59
	395005021	A60029-		P-UB-14	50 mm	115 mm	KOM-878000542	132.59
B/H TELESCOPIC ARM	395009005	A60029-		P-UB-10	40 mm	70 mm	KOM-878000388	106.83
	395009006	A60001-A60028		P-UB-10	40 mm	70 mm	KOM-878000388	106.83
L/S BOOM	2938-62-1290	A60049-		P-UB-14	50 mm	85 mm	KOM-878000486	132.01
	395012014	A60001-A60048		P-UB-14	50 mm	85 mm	KOM-878000486	132.01
L/S BUCKET LH	395013017	A60001-		P-UB-14	50 mm	80 mm	KOM-878000487	119.08
L/S BUCKET MP	312230674	A60001-		I-U-15	45 mm	80 mm	KOM-827020113	47.14
L/S BUCKET QC	200060282	A60001-A60028		I-SP-10	18 mm	30 mm	KOM-42N-879-1980	71.22
L/S BUCKET RH	395013019	A60001-A60048		P-UB-14	50 mm	80 mm	KOM-878000487	119.08
	395013022	A60049-		P-UB-14	50 mm	80 mm	KOM-878000487	119.08
MODEL WB150AWS-2								
B/H ARM	395002006	150F80001-		P-UB-14	60 mm	115 mm	KOM-878000491	180.23
B/H BOOM	395001010	150F80001-		P-UB-14	60 mm	125 mm	KOM-878000541	226.14
B/H BUCKET	395003005	150F80001-		P-UB-14	60 mm	95 mm	KOM-878000492	156.76
B/H OUTRIGGER LH	395011008	150F80001-		P-UB-14	55 mm	110 mm	KOM-878000494	113.45
B/H OUTRIGGER RH	395011007	150F80001-		P-UB-14	55 mm	110 mm	KOM-878000494	113.45
B/H SWING LH	395005018	150F80001-		P-UB-14	50 mm	115 mm	KOM-878000542	132.59
B/H SWING RH	395005017	150F80001-		P-UB-14	50 mm	115 mm	KOM-878000542	132.59
B/H TELESCOPIC ARM	395009006	150F80001-		P-UB-10	40 mm	70 mm	KOM-878000388	106.83
L/S BOOM	395012014	150F80001-		P-UB-14	50 mm	85 mm	KOM-878000486	132.01
L/S BUCKET LH	395013017	150F80001-		P-UB-14	50 mm	80 mm	KOM-878000487	119.08
L/S BUCKET MP	312230674	150F80001-		I-U-15	45 mm	80 mm	KOM-827020113	47.14
L/S BUCKET QC	200060282	150F80001-		I-SP-10	18 mm	30 mm	KOM-42N-879-1980	71.22
L/S BUCKET RH	395013019	150F80001-		P-UB-14	50 mm	80 mm	KOM-878000487	119.08
MODEL WB150AWS-2N								
B/H ARM	2938-856-730	A90002-		P-UB-14	60 mm	110 mm	KOM-878000490	172.12
	2938-856-740	A90002-		P-UB-14	60 mm	115 mm	KOM-878000491	180.23
	395002005	A90002-		P-UB-14	60 mm	110 mm	KOM-878000490	172.12
	395002006	A90001		P-UB-14	60 mm	115 mm	KOM-878000491	180.23
B/H ARM OFFSET	395006003	A90020-A90025		P-UB-14	60 mm	110 mm	KOM-878000490	172.12
B/H BOOM	395001007	A90002-		P-UB-14	60 mm	120 mm	KOM-878000489	170.29
	395001010	A90001		P-UB-14	60 mm	125 mm	KOM-878000541	226.14
B/H BOOM (Long Arm)	395001008	A90002-A90019		P-UB-14	60 mm	125 mm	KOM-878000541	226.14
B/H BOOM (Offset Arm)	395001009	A90020-A90025		P-UB-14	60 mm	120 mm	KOM-878000489	170.29
B/H BUCKET	395003005	A90001-		P-UB-14	60 mm	95 mm	KOM-878000492	156.76
B/H OFFSET ARM	200063140	A90020-A90025		I-SP-15	45 mm	85 mm	KOM-855660112	142.97
B/H OUTRIGGER	395011007	A90002-		P-UB-14	55 mm	110 mm	KOM-878000494	113.45
B/H OUTRIGGER LH	395011008	A90001-		P-UB-14	55 mm	110 mm	KOM-878000494	113.45
B/H OUTRIGGER RH	395011007	A90001-		P-UB-14	55 mm	110 mm	KOM-878000494	113.45
B/H SWING LH	395005018	A90001		P-UB-14	50 mm	115 mm	KOM-878000542	132.59
	395005022	A90002-		P-UB-14	50 mm	115 mm	KOM-878000542	132.59
B/H SWING RH	395005017	A90001		P-UB-14	50 mm	115 mm	KOM-878000542	132.59
	395005021	A90002-		P-UB-14	50 mm	115 mm	KOM-878000542	132.59
B/H TELESCOPIC ARM	395009005	A90002-		P-UB-10	40 mm	70 mm	KOM-878000388	106.83
	395009006	A90001-		P-UB-10	40 mm	70 mm	KOM-878000388	106.83
L/S BOOM	2938-62-1290	A90009-		P-UB-14	50 mm	85 mm	KOM-878000486	132.01
	395012014	A90001-, A90002-A90008		P-UB-14	50 mm	85 mm	KOM-878000486	132.01
L/S BUCKET LH	395013017	A90001-		P-UB-14	50 mm	80 mm	KOM-878000487	119.08

LT - Large size tire L/S - Loading Shovel SLF - Super Long Front B/H - Backhoe HD - Heavy Duty L BUCKET - Large Bucket
 K-LINK - K-type Linkage Blade LB HI-LIFT - High Lift Arm w Large Bucket HI-LIFT - High Lift Arm S HI-LIFT - Super High Lift Arm
 SU - Semi-U Dozer PAT - Power Angle Power Tilt MP - Multi-Purpose

FORMERLY LISTED REPAIR PARTS ARE AVAILABLE ONLINE AT WWW.HERCULESUS.COM
 OR BY CONTACTING YOUR REGIONAL HERCULES SALES TEAM.

KOMATSU

Replacement Kits For

Backhoe Loaders								
APPLICATION	CYL #	SERIAL #	Misc	CODE	ROD	BORE	KIT #	List \$
MODEL WB150AWS-2N								
L/S BUCKET MP	312230674	A90001-		I-U-15	45 mm	80 mm	KOM-827020113	47.14
L/S BUCKET RH	395013019	A90001-A90008		P-UB-14	50 mm	80 mm	KOM-878000487	119.08
	395013022	A90009-		P-UB-14	50 mm	80 mm	KOM-878000487	119.08
MODEL WB150PS-2								
B/H ARM	395002006	150F50001-		P-UB-14	60 mm	115 mm	KOM-878000491	180.23
B/H BOOM	395001008	150F50001- 150F50019		P-UB-14	60 mm	125 mm	KOM-878000541	226.14
	395001010	150F50020-		P-UB-14	60 mm	125 mm	KOM-878000541	226.14
B/H BUCKET	395003003	150F50001-		P-UB-14	60 mm	95 mm	KOM-878000492	156.76
	395003005	150F50020-		P-UB-14	60 mm	95 mm	KOM-878000492	156.76
B/H OUTRIGGER LH	395011008	150F50001-		P-UB-14	55 mm	110 mm	KOM-878000494	113.45
B/H OUTRIGGER RH	395011007	150F50001-		P-UB-14	55 mm	110 mm	KOM-878000494	113.45
B/H SWING LH	395005010	150F50001- 150F50019		P-UB-14	50 mm	115 mm	KOM-878000542	132.59
	395005018	150F50020-		P-UB-14	50 mm	115 mm	KOM-878000542	132.59
B/H SWING RH	395005009	150F50001- 150F50019		P-UB-14	50 mm	115 mm	KOM-878000542	132.59
	395005017	150F50020-		P-UB-14	50 mm	115 mm	KOM-878000542	132.59
B/H TELESCOPIC ARM	395009001	150F50001-		P-UB-10	40 mm	70 mm	KOM-878000388	106.83
	395009006	150F50020-		P-UB-10	40 mm	70 mm	KOM-878000388	106.83
L/S BOOM	395012014	150F50001-		P-UB-14	50 mm	85 mm	KOM-878000486	132.01
L/S BUCKET	395013017	150F50001- 150F50019		P-UB-14	50 mm	80 mm	KOM-878000487	119.08
L/S BUCKET LH	395013017	150F50020-		P-UB-14	50 mm	80 mm	KOM-878000487	119.08
L/S BUCKET MP	312230674	150F50001-		I-U-15	45 mm	80 mm	KOM-827020113	47.14
L/S BUCKET QC	200060282	150F50001-		I-SP-10	18 mm	30 mm	KOM-42N-879-1980	71.22
L/S BUCKET RH	395013019	150F50020-		P-UB-14	50 mm	80 mm	KOM-878000487	119.08
MODEL WB150PS-2N								
B/H ARM	2938-856-730	A70014-		P-UB-14	60 mm	110 mm	KOM-878000490	172.12
	2938-856-740	A70014-		P-UB-14	60 mm	115 mm	KOM-878000491	180.23
	395002005	A70010-A70013		P-UB-14	60 mm	110 mm	KOM-878000490	172.12
	395002006	A70001-A70009		P-UB-14	60 mm	115 mm	KOM-878000491	180.23
B/H BOOM	395001007	A70010-		P-UB-14	60 mm	120 mm	KOM-878000489	170.29
	395001010	A70001-A70009		P-UB-14	60 mm	125 mm	KOM-878000541	226.14
B/H BOOM (Long Arm)	395001008	A70010-		P-UB-14	60 mm	125 mm	KOM-878000541	226.14
B/H BUCKET	395003005	A70001-		P-UB-14	60 mm	95 mm	KOM-878000492	156.76
B/H OUTRIGGER	395011007	A70010-		P-UB-14	55 mm	110 mm	KOM-878000494	113.45
	395011008	A70001-A70009		P-UB-14	55 mm	110 mm	KOM-878000494	113.45
B/H SWING LH	395005018	A70001-A70009		P-UB-14	50 mm	115 mm	KOM-878000542	132.59
	395005022	A70010-		P-UB-14	50 mm	115 mm	KOM-878000542	132.59
B/H SWING RH	395005017	A70001-A70009		P-UB-14	50 mm	115 mm	KOM-878000542	132.59
	395005021	A70010-		P-UB-14	50 mm	115 mm	KOM-878000542	132.59
B/H TELESCOPIC ARM	395009005	A70010-		P-UB-10	40 mm	70 mm	KOM-878000388	106.83
	395009006	A70001-A70009		P-UB-10	40 mm	70 mm	KOM-878000388	106.83
L/S BOOM	2938-62-1290	A70014-		P-UB-14	50 mm	85 mm	KOM-878000486	132.01
	395012014	A70001-A70013		P-UB-14	50 mm	85 mm	KOM-878000486	132.01
L/S BUCKET LH	395013017	A70001-		P-UB-14	50 mm	80 mm	KOM-878000487	119.08
L/S BUCKET MP	312230674	A70001-		I-U-15	45 mm	80 mm	KOM-827020113	47.14
L/S BUCKET QC	200060282	A70001-A70009		I-SP-10	18 mm	30 mm	KOM-42N-879-1980	71.22
L/S BUCKET RH	395013019	A70001-A70013		P-UB-14	50 mm	80 mm	KOM-878000487	119.08
	395013022	A70014-		P-UB-14	50 mm	80 mm	KOM-878000487	119.08
Crawler Dozers								
APPLICATION	CYL #	SERIAL #	Misc	CODE	ROD	BORE	KIT #	List \$
MODEL D20A-7, D21A-7								
3-POINT HITCH LH	101-63-02130	75001-		P-U-14	35 mm	70 mm	KOM-101-63-02130K	70.59
	101-63-02130	75001-		Bushing	35 mm		KOM-07177-03525	11.55

LT - Large size tire L/S - Loading Shovel SLF - Super Long Front B/H - Backhoe HD - Heavy Duty L BUCKET - Large Bucket
 K-LINK - K-type Linkage Blade LB HI-LIFT - High Lift Arm w Large Bucket HI-LIFT - High Lift Arm S HI-LIFT - Super High Lift Arm
 SU - Semi-U Dozer PAT - Power Angle Power Tilt MP - Multi-Purpose

Replacement Kits For

KOMATSU

Crawler Dozers								
APPLICATION	CYL #	SERIAL #	Misc	CODE	ROD	BORE	KIT #	List \$
MODEL D20A-7, D21A-7								
3-POINT HITCH LH	101-63-02130	78604-		P-U-14	35 mm	70 mm	KOM-101-63-02130K	70.59
	101-63-02130	78604-		Bushing	35 mm		KOM-07177-03525	11.55
3-POINT HITCH RH	101-63-02140	75001-		P-U-14	35 mm	70 mm	KOM-101-63-02140K	70.59
	101-63-02140	75001-		Bushing	35 mm		KOM-07177-03525	11.55
	101-63-02140	78604-		P-U-14	35 mm	70 mm	KOM-101-63-02140K	70.59
	101-63-02140	78604-		Bushing	35 mm		KOM-07177-03525	11.55
ANGLE (PAT)	101-63-02030	75001-78603		P-U-14	35 mm	70 mm	KOM-101-63-02030K	60.36
	101-63-02030	75001-78603		Bushing	35 mm		KOM-07177-03525	11.55
	101-63-02031	78604-		P-U-14	35 mm	70 mm	KOM-0707-98-13420	58.82
	101-63-02031	78604-		Bushing	35 mm		KOM-07177-03525	11.55
BLADE LIFT LH	10G-63-02010	78604-		P-U-10	35 mm	50 mm	KOM-10G-63-02010K	115.72
	10G-63-02010	78604-		Bushing	35 mm		KOM-07177-03525	11.55
BLADE LIFT LH (PAT)	101-63-02011	78604-		P-U-14	35 mm	70 mm	KOM-0707-98-13420	58.82
	101-63-02011	78604-		Bushing	35 mm		KOM-07177-03525	11.55
BLADE LIFT RH	10G-63-02020	78604-		P-U-10	35 mm	50 mm	KOM-10G-63-02020K	115.72
	10G-63-02020	78604-		Bushing	35 mm		KOM-07177-03525	11.55
BLADE LIFT RH (PAT)	101-63-02021	78604-		P-U-14	35 mm	70 mm	KOM-0707-98-13420	58.82
	101-63-02021	78604-		Bushing	35 mm		KOM-07177-03525	11.55
GUIDE PLATE (PAT)	21S-63-02050	78604-	D20A-7	P-U-10	25 mm	50 mm	KOM-21S-63-02050K	121.43
	21S-63-02050	78604-		Bushing	25 mm		KOM-07177-02525	7.67
LIFT (PAT)	101-63-02010	75001-78603		P-U-14	35 mm	70 mm	KOM-101-63-02010K	60.36
	101-63-02010	75001-78603		Bushing	35 mm		KOM-07177-03525	11.55
LIFT LH	10G-63-02010	75001-		P-U-10	35 mm	50 mm	KOM-10G-63-02010K	115.72
	10G-63-02010	75001-		Bushing	35 mm		KOM-07177-03525	11.55
LIFT LH (PAT)	101-63-02011	78604-		P-U-14	35 mm	70 mm	KOM-0707-98-13420	58.82
	101-63-02011	78604-		Bushing	35 mm		KOM-07177-03525	11.55
LIFT RH	10G-63-02020	75001-		P-U-10	35 mm	50 mm	KOM-10G-63-02020K	115.72
	10G-63-02020	75001-		Bushing	35 mm		KOM-07177-03525	11.55
LIFT RH (PAT)	101-63-02021	78604-		P-U-14	35 mm	70 mm	KOM-0707-98-13420	58.82
	101-63-02021	78604-		Bushing	35 mm		KOM-07177-03525	11.55
TILT (PAT)	101-63-02040	75001-78603		P-U-10	40 mm	80 mm	KOM-101-63-02040K	67.41
	101-63-02040	75001-78603		Bushing	40 mm		KOM-07177-04025	13.12
	101-63-02041	78604-		P-U-10	40 mm	80 mm	KOM-0707-98-23070	78.61
	101-63-02041	78604-		Bushing	40 mm		KOM-07177-04025	13.12
MODEL D20P-7A, D21P-7A								
3-POINT HITCH LH	101-63-02130	75001-		P-U-14	35 mm	70 mm	KOM-101-63-02130K	70.59
	101-63-02130	75001-		Bushing	35 mm		KOM-07177-03525	11.55
	101-63-02130	78604-		P-U-14	35 mm	70 mm	KOM-101-63-02130K	70.59
	101-63-02130	78604-		Bushing	35 mm		KOM-07177-03525	11.55
3-POINT HITCH RH	101-63-02140	75001-		P-U-14	35 mm	70 mm	KOM-101-63-02140K	70.59
	101-63-02140	75001-		Bushing	35 mm		KOM-07177-03525	11.55
	101-63-02140	78604-		P-U-14	35 mm	70 mm	KOM-101-63-02140K	70.59
	101-63-02140	78604-		Bushing	35 mm		KOM-07177-03525	11.55
ANGLE	101-63-02030	75001-78603		P-U-14	35 mm	70 mm	KOM-101-63-02030K	60.36
	101-63-02030	75001-78603		Bushing	35 mm		KOM-07177-03525	11.55
	101-63-02031	78604-		P-U-14	35 mm	70 mm	KOM-0707-98-13420	58.82
	101-63-02031	78604-		Bushing	35 mm		KOM-07177-03525	11.55
BLADE LIFT LH	101-63-02011	78604-		P-U-14	35 mm	70 mm	KOM-0707-98-13420	58.82
	101-63-02011	78604-		Bushing	35 mm		KOM-07177-03525	11.55
BLADE LIFT RH	101-63-02021	78604-		P-U-14	35 mm	70 mm	KOM-0707-98-13420	58.82
	101-63-02021	78604-		Bushing	35 mm		KOM-07177-03525	11.55
LIFT	101-63-02010	75001-78603		P-U-14	35 mm	70 mm	KOM-101-63-02010K	60.36
	101-63-02010	75001-78603		Bushing	35 mm		KOM-07177-03525	11.55
LIFT LH	101-63-02011	78604-		P-U-14	35 mm	70 mm	KOM-0707-98-13420	58.82
	101-63-02011	78604-		Bushing	35 mm		KOM-07177-03525	11.55

LT - Large size tire L/S - Loading Shovel SLF - Super Long Front B/H - Backhoe HD - Heavy Duty L BUCKET - Large Bucket
 K-LINK - K-type Linkage Blade LB HI-LIFT - High Lift Arm w Large Bucket HI-LIFT - High Lift Arm S HI-LIFT - Super High Lift Arm
 SU - Semi-U Dozer PAT - Power Angle Power Tilt MP - Mult-Purpose

FORMERLY LISTED REPAIR PARTS ARE AVAILABLE ONLINE AT WWW.HERCULESUS.COM
 OR BY CONTACTING YOUR REGIONAL HERCULES SALES TEAM.

KOMATSU

Replacement Kits For

Crawler Dozers								
APPLICATION	CYL #	SERIAL #	Misc	CODE	ROD	BORE	KIT #	List \$
MODEL D20P-7A, D21P-7A								
LIFT RH	101-63-02021	78604-		P-U-14	35 mm	70 mm	KOM-707-98-13420	58.82
	101-63-02021	78604-		Bushing	35 mm		KOM-07177-03525	11.55
TILT	101-63-02040	75001-78603		P-U-10	40 mm	80 mm	KOM-101-63-02040K	67.41
	101-63-02040	75001-78603		Bushing	40 mm		KOM-07177-04025	13.12
	101-63-02041	78604-		P-U-10	40 mm	80 mm	KOM-707-98-23070	78.61
	101-63-02041	78604-		Bushing	40 mm		KOM-07177-04025	13.12
MODEL D20PLL-6								
3-POINT HITCH	101-63-02130	60001-		P-U-10	35 mm	70 mm	KOM-707-98-12450	173.19
	101-63-02140	60001-		P-U-10	35 mm	70 mm	KOM-707-98-12450	173.19
LIFT	10G-63-02030	60001-60204		P-U-10	35 mm	50 mm	KOM-707-98-05420	132.26
	10G-63-02040	60001-60204		P-U-10	35 mm	50 mm	KOM-707-98-05420	132.26
	10G-63-02111	60205-		P-U-10	35 mm	50 mm	KOM-707-98-05420	132.26
	10G-63-02121	60205-		P-U-10	35 mm	50 mm	KOM-707-98-05420	132.26
TILT	101-63-02050	60001-		P-U-10	40 mm	80 mm	KOM-707-98-23030	121.60
MODEL D21A-8, D21P-8								
3-POINT HITCH LH	707-00-0E980	83001-		P-U-14	35 mm	70 mm	KOM-707-98-12760	70.31
	707-00-0E980	83001-		Bushing	35 mm		KOM-07177-03525	11.55
3-POINT HITCH RH	707-00-0E990	83001-		P-U-14	35 mm	70 mm	KOM-707-98-12760	70.31
	707-00-0E990	83001-		Bushing	35 mm		KOM-07177-03525	11.55
BLADE ANGLE	707-00-0E920	83001-		P-U-14	35 mm	70 mm	KOM-707-98-12750	60.34
	707-00-0E920	83001-		Bushing	35 mm		KOM-07177-03525	11.55
BLADE LIFT LH	707-00-0E870	83001-		P-U-14	35 mm	70 mm	KOM-707-98-12740	71.94
	707-00-0E870	83001-		Bushing	35 mm		KOM-07177-03525	11.55
	707-00-0E930	83001-	D21A-8	P-U-10	35 mm	50 mm	KOM-707-98-05460	114.27
	707-00-0E930	83001-		Bushing	35 mm		KOM-07177-03525	11.55
BLADE LIFT RH	707-00-0E880	83001-		P-U-14	35 mm	70 mm	KOM-707-98-12740	71.94
	707-00-0E880	83001-		Bushing	35 mm		KOM-07177-03525	11.55
	707-00-0E940	83001-	D21A-8	P-U-10	35 mm	50 mm	KOM-707-98-05460	114.27
	707-00-0E940	83001-		Bushing	35 mm		KOM-07177-03525	11.55
BLADE TILT	707-00-0E910	83001-		P-U-10	40 mm	80 mm	KOM-707-98-22290	78.61
	707-00-0E910	83001-		Bushing	40 mm		KOM-07177-04025	13.12
MODEL D21PL-5								
LIFT	10G-63-13100	45013-50606		P-U-5	35 mm	70 mm	KOM-707-99-13410	209.08
	10G-63-13101	50607-		P-U-5	35 mm	70 mm	KOM-707-99-13410	209.08
	10G-63-13200	45013-50606		P-U-5	35 mm	70 mm	KOM-707-99-13410	209.08
	10G-63-13201	50607-		P-U-5	35 mm	70 mm	KOM-707-99-13410	209.08
TILT	101-63-52100	45013-50606		P-U-5	40 mm	80 mm	KOM-707-99-22010	187.54
	101-63-52101	50607-		P-U-5	40 mm	80 mm	KOM-707-99-22010	187.54
MODEL D31E-20								
ANGLE	114-63-02031	42001-		P-U-10	40 mm	90 mm	KOM-707-98-22410	174.35
	114-63-02031	42001-		Bushing	40 mm		KOM-07177-04025	13.12
LIFT	11G-63-02011	42001-		P-U-14	45 mm	70 mm	KOM-707-98-15610	143.82
	11G-63-02011	42001-		Bushing	45 mm		KOM-07177-04530	18.54
	11G-63-02021	42001-		P-U-14	45 mm	70 mm	KOM-707-98-15610	143.82
	11G-63-02021	42001-		Bushing	45 mm		KOM-07177-04530	18.54
TILT	114-63-02041	42001-		P-U-10	40 mm	90 mm	KOM-707-98-22410	174.35
	114-63-02041	42001-		Bushing	40 mm		KOM-07177-04025	13.12
MODEL D31EX-21, D31PX-21								
ANGLE	707-00-0A031	50001-		P-U-14	40 mm	75 mm	KOM-707-98-22850	71.18
	707-00-0A031	50001-		Bushing	40 mm		KOM-707-52-10410	15.35
LIFT LH	707-00-0A011	50001-		P-U-14	40 mm	85 mm	KOM-707-98-22910	123.94
	707-00-0A011	50001-		Bushing	40 mm		KOM-07177-04025	13.12
LIFT RH	707-00-0A021	50001-		P-U-14	40 mm	85 mm	KOM-707-98-22910	123.94
	707-00-0A021	50001-		Bushing	40 mm		KOM-07177-04025	13.12
RIPPER	707-00-0C050	50001-	D31EX-21	P-U-14	45 mm	90 mm	KOM-707-98-24720	69.56

LT - Large size tire L/S - Loading Shovel SLF - Super Long Front B/H - Backhoe HD - Heavy Duty L BUCKET - Large Bucket
 K-LINK - K-type Linkage Blade LB HI-LIFT - High Lift Arm w Large Bucket HI-LIFT - High Lift Arm S HI-LIFT - Super High Lift Arm
 SU - Semi-U Dozer PAT - Power Angle Power Tilt MP - Mulit-Purpose

KOMATSU

Replacement Kits For

Crawler Dozers								
APPLICATION	CYL #	SERIAL #	Misc	CODE	ROD	BORE	KIT #	List \$
MODEL D31EX-21, D31PX-21								
RIPPER	707-00-0C050	50001-		Bushing	45 mm		KOM-07177-04530	18.54
TILT	707-00-0A041	50001-		P-U-14	45 mm	90 mm	KOM-707-98-24710	66.86
	707-00-0A041	50001-		Bushing	45 mm		KOM-07177-04530	18.54
MODEL D31EX-21A, D31PX-21A								
ANGLE	707-00-0A032	50501-50683	D31EX-21A	P-UB-14	40 mm	75 mm	KOM-707-99-14930	165.85
	707-00-0A032	50501-50683		Bushing	40 mm		KOM-707-52-90150	13.12
	707-00-0A032	50501-50897	D31PX-21A	P-UB-14	40 mm	75 mm	KOM-707-99-14930	165.85
	707-00-0A032	50501-50897		Bushing	40 mm		KOM-707-52-90150	13.12
	707-00-0A033	50684-	D31EX-21A	P-UB-14	40 mm	75 mm	KOM-707-99-14930	165.85
	707-00-0A033	50684-		Bushing	40 mm		KOM-707-52-90150	13.12
	707-00-0A033	50898-	D31PX-21A	P-UB-14	40 mm	75 mm	KOM-707-99-14930	165.85
	707-00-0A033	50898-		Bushing	40 mm		KOM-707-52-90150	13.12
LIFT LH	707-00-0A012	50501-		P-UB-14	40 mm	85 mm	KOM-707-99-23910	218.64
	707-00-0A012	50501-		Bushing	40 mm		KOM-707-52-90150	13.12
LIFT RH	707-00-0A022	50501-		P-UB-14	40 mm	85 mm	KOM-707-99-23910	218.64
	707-00-0A022	50501-		Bushing	40 mm		KOM-707-52-90150	13.12
RIPPER	707-00-0C051	50501-	D31EX-21A	P-UB-14	45 mm	90 mm	KOM-707-99-24660	201.89
	707-00-0C051	50501-		Bushing	45 mm		KOM-707-52-90220	13.12
TILT	707-00-0A042	50501-		P-UB-14	45 mm	90 mm	KOM-707-99-24670	199.16
	707-00-0A042	50501-		Bushing	45 mm		KOM-707-52-90220	13.12
MODEL D31EX-22								
BLADE ANGLE	707-00-0H610	60001-		P-UB-14	40 mm	80 mm	KOM-707-99-23040	188.56
	707-00-0H610	60001-		Bushing	40 mm		KOM-707-52-90150	13.12
BLADE LIFT	707-00-0H860	60001-		P-UB-14	40 mm	75 mm	KOM-707-99-14960	229.59
	707-00-0H860	60001-		Bushing	40 mm		KOM-707-52-90150	13.12
BLADE TILT	707-00-0H600	60001-		P-UB-14	45 mm	90 mm	KOM-707-99-24650	199.06
	707-00-0H600	60001-		Bushing	45 mm		KOM-707-52-90220	13.12
RIPPER	707-00-0H920	60001-		P-U-14	55 mm	105 mm	KOM-707-99-34240	204.59
	707-00-0H920	60001-		Bushing	55 mm		KOM-707-52-90300	26.00
MODEL D31P-20								
ANGLE	114-63-02031	45001-		P-U-10	40 mm	90 mm	KOM-707-98-22410	174.35
LIFT	114-63-02011	45001-		P-U-10	40 mm	90 mm	KOM-707-98-22410	174.35
TILT	114-63-02041	45001-		P-U-10	40 mm	90 mm	KOM-707-98-22410	174.35
MODEL D31PX-22								
BLADE ANGLE	707-00-0H610	60001-		P-UB-14	40 mm	80 mm	KOM-707-99-23040	188.56
	707-00-0H610	60001-		Bushing	40 mm		KOM-707-52-90150	13.12
BLADE LIFT	707-00-0H860	60001-		P-UB-14	40 mm	75 mm	KOM-707-99-14960	229.59
	707-00-0H860	60001-		Bushing	40 mm		KOM-707-52-90150	13.12
	707-E0-00190	60001-		P-UB-14	40 mm	75 mm	KOM-707-99-14970	184.12
	707-E0-00190	60001-		Bushing	40 mm		KOM-707-52-90151	13.12
BLADE TILT	707-00-0H600	60001-		P-UB-14	45 mm	90 mm	KOM-707-99-24650	199.06
	707-00-0H600	60001-		Bushing	45 mm		KOM-707-52-90220	13.12
REAR GUARD	707-E0-00200	60001-		P-U-14	30 mm	50 mm	KOM-707-98-04590	130.21
	707-E0-00200	60001-		Bushing	30 mm		KOM-707-52-15050	10.41
TRACK ADJUSTER		60001-	kit w/ valve	TRK ADJ			KOM-SK100118	317.92
		60001-		TRK ADJ			KOM-SK100134	184.30
TRIMMING	707-E0-00180	60001-		P-UB-14	40 mm	75 mm	KOM-707-99-14980	210.59
	707-E0-00180	60001-		Bushing	40 mm		KOM-707-52-90151	13.12
MODEL D31Q-20								
LIFT	113-63-02011	42001-		P-U-14	50 mm	100 mm	KOM-707-98-32050	233.99
	113-63-02021	42001-		P-U-14	50 mm	100 mm	KOM-707-98-32050	233.99
MODEL D37E-5, D37P-5								
ANGLE	114-63-02031	3001-		P-U-10	40 mm	90 mm	KOM-707-98-22410	174.35
	114-63-02031	3001-		Bushing	40 mm		KOM-07177-04025	13.12
LIFT	114-63-02011	3001-		P-U-10	40 mm	90 mm	KOM-707-98-22410	174.35

LT - Large size tire L/S - Loading Shovel SLF - Super Long Front B/H - Backhoe HD - Heavy Duty L BUCKET - Large Bucket
K-LINK - K-type Linkage Blade LB HI-LIFT - High Lift Arm w Large Bucket HI-LIFT - High Lift Arm S HI-LIFT - Super High Lift Arm
SU - Semi-U Dozer PAT - Power Angle Power Tilt MP - Mult-Purpose

FORMERLY LISTED REPAIR PARTS ARE AVAILABLE ONLINE AT WWW.HERCULESUS.COM
OR BY CONTACTING YOUR REGIONAL HERCULES SALES TEAM.

KOMATSU

Replacement Kits For

KOMATSU

Crawler Dozers								
APPLICATION	CYL #	SERIAL #	Misc	CODE	ROD	BORE	KIT #	List \$
MODEL D37E-5, D37P-5								
LIFT	114-63-02011	3001-		Bushing	40 mm		KOM-07177-04025	13.12
TILT	114-63-02011	3001-		P-U-10	40 mm	90 mm	KOM-707-98-22410	174.35
	114-63-02011	3001-		Bushing	40 mm		KOM-07177-04025	13.12
MODEL D37EX-21, D37PX-21								
ANGLE	707-00-0A031	5001-		P-U-14	40 mm	75 mm	KOM-707-98-22850	71.18
	707-00-0A031	5001-		Bushing	40 mm		KOM-707-52-10410	15.35
LIFT LH	707-00-0A011	5001-		P-U-14	40 mm	85 mm	KOM-707-98-22910	123.94
	707-00-0A011	5001-		Bushing	40 mm		KOM-07177-04025	13.12
LIFT RH	707-00-0A021	5001-		P-U-14	40 mm	85 mm	KOM-707-98-22910	123.94
	707-00-0A021	5001-		Bushing	40 mm		KOM-07177-04025	13.12
RIPPER	707-00-0C050	5001-	D37EX-21	P-U-14	45 mm	90 mm	KOM-707-98-24720	69.56
	707-00-0C050	5001-		Bushing	45 mm		KOM-07177-04530	18.54
TILT	707-00-0A041	5001-		P-U-14	45 mm	90 mm	KOM-707-98-24710	66.86
	707-00-0A041	5001-		Bushing	45 mm		KOM-07177-04530	18.54
MODEL D37EX-21A, D37PX-21A								
ANGLE	707-00-0A032	5501-5681	D37PX-21A	P-UB-14	40 mm	75 mm	KOM-707-99-14930	165.85
	707-00-0A032	5501-5736	D37EX-21A	P-UB-14	40 mm	75 mm	KOM-707-99-14930	165.85
	707-00-0A033	5682-	D37PX-21A	P-UB-14	40 mm	75 mm	KOM-707-99-14930	165.85
	707-00-0A033	5737-	D37EX-21A	P-UB-14	40 mm	75 mm	KOM-707-99-14930	165.85
LIFT LH	707-00-0A012	5501-		P-UB-14	40 mm	85 mm	KOM-707-99-23910	218.64
LIFT RH	707-00-0A022	5501-		P-UB-14	40 mm	85 mm	KOM-707-99-23910	218.64
RIPPER	707-00-0C051	5501-	D37EX-21A	P-UB-14	45 mm	90 mm	KOM-707-99-24660	201.89
TILT	707-00-0A042	5501-		P-UB-14	45 mm	90 mm	KOM-707-99-24670	199.16
MODEL D37EX-22								
BLADE ANGLE	707-00-0H610	60001-		P-UB-14	40 mm	80 mm	KOM-707-99-23040	188.56
	707-00-0H610	60001-		Bushing	40 mm		KOM-707-52-90150	13.12
BLADE LIFT	707-00-0H860	60001-		P-UB-14	40 mm	75 mm	KOM-707-99-14960	229.59
	707-00-0H860	60001-		Bushing	40 mm		KOM-707-52-90150	13.12
BLADE TILT	707-00-0H600	60001-		P-UB-14	45 mm	90 mm	KOM-707-99-24650	199.06
	707-00-0H600	60001-		Bushing	45 mm		KOM-707-52-90220	13.12
RIPPER	707-00-0H920	60001-		P-U-14	55 mm	105 mm	KOM-707-99-34240	204.59
	707-00-0H920	60001-		Bushing	55 mm		KOM-707-52-90300	26.00
MODEL D37EX-23								
TRACK ADJUSTER		80001-	kit w/ valve	TRK ADJ			KOM-SK100118	317.92
		80001-		TRK ADJ			KOM-SK100134	184.30
MODEL D37PX-22								
BLADE ANGLE	707-00-0H610	60001-		P-UB-14	40 mm	80 mm	KOM-707-99-23040	188.56
	707-00-0H610	60001-		Bushing	40 mm		KOM-707-52-90150	13.12
BLADE LIFT	707-00-0H860	60001-		P-UB-14	40 mm	75 mm	KOM-707-99-14960	229.59
	707-00-0H860	60001-		Bushing	40 mm		KOM-707-52-90150	13.12
BLADE TILT	707-00-0H600	60001-		P-UB-14	45 mm	90 mm	KOM-707-99-24650	199.06
	707-00-0H600	60001-		Bushing	45 mm		KOM-707-52-90220	13.12
MODEL D39EX-21, D39PX-21								
ANGLE	707-00-0A300	1001-		P-U-14	45 mm	85 mm	KOM-707-98-24910	112.29
	707-00-0A300	1001-		Bushing	45 mm		KOM-07177-04530	18.54
LIFT LH	707-00-0A280	1001-		P-U-14	45 mm	90 mm	KOM-707-98-24700	82.24
	707-00-0A280	1001-		Bushing	45 mm		KOM-07177-04530	18.54
LIFT RH	707-00-0A290	1001-		P-U-14	45 mm	90 mm	KOM-707-98-24700	82.24
	707-00-0A290	1001-		Bushing	45 mm		KOM-07177-04530	18.54
RIPPER	707-00-0C050	1001-	D39EX-21	P-U-14	45 mm	90 mm	KOM-707-98-24720	69.56
	707-00-0C050	1001-		Bushing	45 mm		KOM-07177-04530	18.54
TILT	707-00-0A310	1001-		P-U-14	45 mm	90 mm	KOM-707-98-24710	66.86
	707-00-0A310	1001-		Bushing	45 mm		KOM-07177-04530	18.54
MODEL D39EX-21A, D39PX-21A								
ANGLE	707-00-0A301	1501-1806	D39EX-21A	P-UB-14	45 mm	85 mm	KOM-707-99-24930	244.71
	707-00-0A301	1501-1870	D39PX-21A	P-UB-14	45 mm	85 mm	KOM-707-99-24930	244.71

LT - Large size tire L/S - Loading Shovel SLF - Super Long Front B/H - Backhoe HD - Heavy Duty L BUCKET - Large Bucket
 K-LINK - K-type Linkage Blade LB HI-LIFT - High Lift Arm w Large Bucket HI-LIFT - High Lift Arm S HI-LIFT - Super High Lift Arm
 SU - Semi-U Dozer PAT - Power Angle Power Tilt MP - Multi-Purpose

KOMATSU

KOMATSU

Replacement Kits For

Crawler Dozers								
APPLICATION	CYL #	SERIAL #	Misc	CODE	ROD	BORE	KIT #	List \$
MODEL D39EX-21A, D39PX-21A								
ANGLE	707-00-0A302	1807-	D39EX-21A	P-UB-14	45 mm	85 mm	KOM-707-99-24930	244.71
	707-00-0A302	1871-	D39PX-21A	P-UB-14	45 mm	85 mm	KOM-707-99-24930	244.71
LIFT LH	707-00-0E680	1501-		P-UB-14	45 mm	90 mm	KOM-707-99-24640	214.68
LIFT RH	707-00-0E690	1501-		P-UB-14	45 mm	90 mm	KOM-707-99-24640	214.68
RIPPER	707-00-0C051	1501-		P-UB-14	45 mm	90 mm	KOM-707-99-24660	201.89
TILT	707-00-0A311	1501-		P-UB-14	45 mm	90 mm	KOM-707-99-24650	199.06
MODEL D39EX-22								
BLADE ANGLE	707-00-0H610	3001-		P-UB-14	40 mm	80 mm	KOM-707-99-23040	188.56
	707-00-0H610	3001-		Bushing	40 mm		KOM-707-52-90150	13.12
BLADE LIFT	707-00-0H620	3001-		P-UB-14	40 mm	75 mm	KOM-707-99-14960	229.59
	707-00-0H620	3001-		Bushing	40 mm		KOM-707-52-90150	13.12
BLADE TILT	707-00-0H600	3001-		P-UB-14	45 mm	90 mm	KOM-707-99-24650	199.06
	707-00-0H600	3001-		Bushing	45 mm		KOM-707-52-90220	13.12
RIPPER	707-00-0H920	3001-		P-U-14	55 mm	105 mm	KOM-707-99-34240	204.59
	707-00-0H920	3001-		Bushing	55 mm		KOM-707-52-90300	26.00
MODEL D39EX-23								
ANGLE	707-E0-00700	90001-		P-UB-14	40 mm	80 mm	KOM-707-99-22300	186.89
LIFT LH	707-E0-00710	90001-		P-UB-14	40 mm	75 mm	KOM-707-99-14990	150.80
LIFT RH	707-E0-00720	90001-		P-UB-14	40 mm	75 mm	KOM-707-99-14990	150.80
RIPPER	707-E0-00680	90001-		P-UB-14	55 mm	105 mm	KOM-707-99-34260	237.28
TILT	707-E0-00690	90001-		P-UB-14	45 mm	90 mm	KOM-707-99-24720	132.41
MODEL D39EX-24								
ANGLE	707-E0-00700	95001-95548		P-UB-14	40 mm	80 mm	KOM-707-99-22310	276.20
	707-E0-00700	95001-95548		Bushing	40 mm		KOM-707-52-90151	13.12
	707-E0-00701	95549-		P-UB-14	40 mm	80 mm	KOM-707-99-22310	276.20
	707-E0-00701	95549-		Bushing	40 mm		KOM-707-52-90151	13.12
LIFT LH	707-G0-01240	95001-		P-UB-14	40 mm	75 mm	KOM-707-99-15770	185.70
	707-G0-01240	95001-		Bushing	40 mm		KOM-707-52-90151	13.12
LIFT RH	707-G0-01900	95001-		P-UB-14	40 mm	75 mm	KOM-707-99-14990	150.80
	707-G0-01900	95001-		Bushing	40 mm		KOM-707-52-90151	13.12
RIPPER LIFT	707-E0-00680	95001-		P-UB-14	55 mm	105 mm	KOM-707-99-34260	237.28
	707-E0-00680	95001-		Bushing	55 mm		KOM-707-52-90301	26.00
TILT	707-E0-00690	95001-		P-UB-14	45 mm	90 mm	KOM-707-99-24720	132.41
	707-E0-00690	95001-		Bushing	45 mm		KOM-707-52-90221	13.12
TRACK ADJUSTER		95001-		TRK ADJ			KOM-SK100136	228.39
		95001-	w/ valve	TRK ADJ			KOM-SK100120	398.63
MODEL D39EXi-23								
ANGLE LH	707-G7-00080	90404-91095		P-UB-14	40 mm	80 mm	KOM-707-99-22310	276.20
	707-G7-00080	90404-91095		Bushing	40 mm		KOM-707-52-90151	13.12
	707-G7-00081	91096-		P-UB-14	40 mm	80 mm	KOM-707-99-22310	276.20
	707-G7-00081	91096-		Bushing	40 mm		KOM-707-52-90151	13.12
ANGLE RH	707-E0-00700	90404-91095		P-UB-14	40 mm	80 mm	KOM-707-99-22300	186.89
	707-E0-00700	90404-91095		Bushing	40 mm		KOM-707-52-90151	13.12
	707-E0-00701	91096-		P-UB-14	40 mm	80 mm	KOM-707-99-22300	186.89
	707-E0-00701	91096-		Bushing	40 mm		KOM-707-52-90151	13.12
LIFT LH	707-G0-01240	90404-		P-UB-14	40 mm	75 mm	KOM-707-99-14990	150.80
	707-G0-01240	90404-		Bushing	40 mm		KOM-707-52-90151	13.12
LIFT RH	707-G7-00070	90404-		P-UB-14	40 mm	75 mm	KOM-707-99-15770	185.70
	707-G7-00070	90404-		Bushing	40 mm		KOM-707-52-90151	13.12
RIPPER	707-E0-00680	90404-		P-UB-14	55 mm	105 mm	KOM-707-99-34260	237.28
	707-E0-00680	90404-		Bushing	55 mm		KOM-707-52-90301	26.00
TILT	707-G7-00090	90404-91121		P-UB-14	45 mm	90 mm	KOM-707-99-24760	156.33
	707-G7-00090	90404-91121		Bushing	45 mm		KOM-707-52-90221	13.12
	707-G7-00330	91122-		P-UB-14	45 mm	90 mm	KOM-707-99-24760	156.33
	707-G7-00330	91122-		Bushing	45 mm		KOM-707-52-90221	13.12

LT - Large size tire L/S - Loading Shovel SLF - Super Long Front B/H - Backhoe HD - Heavy Duty L BUCKET - Large Bucket
 K-LINK - K-type Linkage Blade LB HI-LIFT - High Lift Arm w Large Bucket HI-LIFT - High Lift Arm S HI-LIFT - Super High Lift Arm
 SU - Semi-U Dozer PAT - Power Angle Power Tilt MP - Multit-Purpose

FORMERLY LISTED REPAIR PARTS ARE AVAILABLE ONLINE AT WWW.HERCULESUS.COM
 OR BY CONTACTING YOUR REGIONAL HERCULES SALES TEAM.

KOMATSU

Replacement Kits For

Crawler Dozers								
APPLICATION	CYL #	SERIAL #	Misc	CODE	ROD	BORE	KIT #	List \$
MODEL D39EXi-23								
TRACK ADJUSTER		90404-	w/ valve	TRK ADJ			KOM-SK100120	398.63
		90404-		TRK ADJ			KOM-SK100136	228.39
MODEL D39EXi-24								
ANGLE LH	707-G7-00280	95001-95548		P-UB-14	40 mm	80 mm	KOM-707-99-22310	276.20
	707-G7-00280	95001-95548		Bushing	40 mm		KOM-707-52-90151	13.12
	707-G7-00281	95549-		P-UB-14	40 mm	80 mm	KOM-707-99-22310	276.20
	707-G7-00281	95549-		Bushing	40 mm		KOM-707-52-90151	13.12
ANGLE RH	707-E0-00700	95001-95548		P-UB-14	40 mm	80 mm	KOM-707-99-22310	276.20
	707-E0-00700	95001-95548		Bushing	40 mm		KOM-707-52-90151	13.12
	707-E0-00701	95549-		P-UB-14	40 mm	80 mm	KOM-707-99-22310	276.20
	707-E0-00701	95549-		Bushing	40 mm		KOM-707-52-90151	13.12
LIFT LH	707-G0-01240	95001-		P-UB-14	40 mm	75 mm	KOM-707-99-15770	185.70
	707-G0-01240	95001-		Bushing	40 mm		KOM-707-52-90151	13.12
LIFT RH	707-G7-00070	95001-		P-UB-14	40 mm	75 mm	KOM-707-99-15770	185.70
	707-G7-00070	95001-		Bushing	40 mm		KOM-707-52-90151	13.12
RIPPER LIFT	707-E0-00680	95001-		P-UB-14	55 mm	105 mm	KOM-707-99-34260	237.28
	707-E0-00680	95001-		Bushing	55 mm		KOM-707-52-90301	26.00
TILT	707-G7-00330	95001-		P-UB-14	45 mm	90 mm	KOM-707-99-24760	156.33
	707-G7-00330	95001-		Bushing	45 mm		KOM-707-52-90221	13.12
TRACK ADJUSTER		95001-	w/ valve	TRK ADJ			KOM-SK100120	398.63
		95001-		TRK ADJ			KOM-SK100136	228.39
MODEL D39PX-22								
BLADE ANGLE	707-00-0H610	3001-		P-UB-14	40 mm	80 mm	KOM-707-99-23040	188.56
	707-00-0H610	3001-		Bushing	40 mm		KOM-707-52-90150	13.12
BLADE LIFT	707-00-0H620	3001-		P-UB-14	40 mm	75 mm	KOM-707-99-14960	229.59
	707-00-0H620	3001-		Bushing	40 mm		KOM-707-52-90150	13.12
BLADE TILT	707-00-0H600	3001-		P-UB-14	45 mm	90 mm	KOM-707-99-24650	199.06
	707-00-0H600	3001-		Bushing	45 mm		KOM-707-52-90220	13.12
MODEL D39PX-23								
ANGLE	707-E0-00700	90001-		P-UB-14	40 mm	80 mm	KOM-707-99-22300	186.89
LIFT LH	707-E0-00710	90001-		P-UB-14	40 mm	75 mm	KOM-707-99-14990	150.80
LIFT RH	707-E0-00720	90001-		P-UB-14	40 mm	75 mm	KOM-707-99-14990	150.80
TILT	707-E0-00690	90001-		P-UB-14	45 mm	90 mm	KOM-707-99-24720	132.41
TRACK ADJUSTER		90001-		TRK ADJ			KOM-SK100136	228.39
		90001-	kit w/ valve	TRK ADJ			KOM-SK100120	398.63
MODEL D39PX-24								
ANGLE	707-E0-00700	95001-95548		P-UB-14	40 mm	80 mm	KOM-707-99-22310	276.20
	707-E0-00700	95001-95548		Bushing	40 mm		KOM-707-52-90151	13.12
	707-E0-00701	95549-		P-UB-14	40 mm	80 mm	KOM-707-99-22310	276.20
	707-E0-00701	95549-		Bushing	40 mm		KOM-707-52-90151	13.12
LIFT LH	707-G0-01240	95001-		P-UB-14	40 mm	75 mm	KOM-707-99-15770	185.70
	707-G0-01240	95001-		Bushing	40 mm		KOM-707-52-90151	13.12
LIFT RH	707-G0-01900	95001-		P-UB-14	40 mm	75 mm	KOM-707-99-14990	150.80
	707-G0-01900	95001-		Bushing	40 mm		KOM-707-52-90151	13.12
TILT	707-E0-00690	95001-		P-UB-14	45 mm	90 mm	KOM-707-99-24720	132.41
	707-E0-00690	95001-		Bushing	45 mm		KOM-707-52-90221	13.12
TRACK ADJUSTER		95001-		TRK ADJ			KOM-SK100136	228.39
		95001-	w/ valve	TRK ADJ			KOM-SK100120	398.63
MODEL D39PXi-23								
ANGLE LH	707-G7-00080	90404-91095		P-UB-14	40 mm	80 mm	KOM-707-99-22310	276.20
	707-G7-00080	90404-91095		Bushing	40 mm		KOM-707-52-90151	13.12
	707-G7-00081	91096-		P-UB-14	40 mm	80 mm	KOM-707-99-22310	276.20
	707-G7-00081	91096-		Bushing	40 mm		KOM-707-52-90151	13.12
ANGLE RH	707-E0-00700	90404-91095		P-UB-14	40 mm	80 mm	KOM-707-99-22300	186.89
	707-E0-00700	90404-91095		Bushing	40 mm		KOM-707-52-90151	13.12

LT - Large size tire L/S - Loading Shovel SLF - Super Long Front B/H - Backhoe HD - Heavy Duty L BUCKET - Large Bucket
 K-LINK - K-type Linkage Blade LB HI-LIFT - High Lift Arm w Large Bucket HI-LIFT - High Lift Arm S HI-LIFT - Super High Lift Arm
 SU - Semi-U Dozer PAT - Power Angle Power Tilt MP - Multi-Purpose

Replacement Kits For

KOMATSU

Crawler Dozers								
APPLICATION	CYL #	SERIAL #	Misc	CODE	ROD	BORE	KIT #	List \$
MODEL D39PXi-23								
ANGLE RH	707-E0-00701	91096-		P-UB-14	40 mm	80 mm	KOM-707-99-22300	186.89
	707-E0-00701	91096-		Bushing	40 mm		KOM-707-52-90151	13.12
LIFT LH	707-G0-01240	90404-		P-UB-14	40 mm	75 mm	KOM-707-99-14990	150.80
	707-G0-01240	90404-		Bushing	40 mm		KOM-707-52-90151	13.12
LIFT RH	707-G7-00070	90404-		P-UB-14	40 mm	75 mm	KOM-707-99-15770	185.70
	707-G7-00070	90404-		Bushing	40 mm		KOM-707-52-90151	13.12
TILT	707-G7-00090	90404-91121		P-UB-14	45 mm	90 mm	KOM-707-99-24760	156.33
	707-G7-00090	90404-91121		Bushing	45 mm		KOM-707-52-90221	13.12
	707-G7-00330	91122-		P-UB-14	45 mm	90 mm	KOM-707-99-24760	156.33
	707-G7-00330	91122-		Bushing	45 mm		KOM-707-52-90221	13.12
TRACK ADJUSTER		90404-		TRK ADJ			KOM-SK100136	228.39
		90404-	w/ valve	TRK ADJ			KOM-SK100120	398.63
MODEL D39PXi-24								
ANGLE LH	707-G7-00280	95001-95548		P-UB-14	40 mm	80 mm	KOM-707-99-22310	276.20
	707-G7-00280	95001-95548		Bushing	40 mm		KOM-707-52-90151	13.12
	707-G7-00281	95549-		P-UB-14	40 mm	80 mm	KOM-707-99-22310	276.20
	707-G7-00281	95549-		Bushing	40 mm		KOM-707-52-90151	13.12
ANGLE RH	707-E0-00700	95001-95548		P-UB-14	40 mm	80 mm	KOM-707-99-22310	276.20
	707-E0-00700	95001-95548		Bushing	40 mm		KOM-707-52-90151	13.12
	707-E0-00701	95549-		P-UB-14	40 mm	80 mm	KOM-707-99-22310	276.20
	707-E0-00701	95549-		Bushing	40 mm		KOM-707-52-90151	13.12
LIFT LH	707-G0-01240	95001-		P-UB-14	40 mm	75 mm	KOM-707-99-15770	185.70
	707-G0-01240	95001-		Bushing	40 mm		KOM-707-52-90151	13.12
LIFT RH	707-G7-00070	95001-		P-UB-14	40 mm	75 mm	KOM-707-99-15770	185.70
	707-G7-00070	95001-		Bushing	40 mm		KOM-707-52-90151	13.12
TILT	707-G7-00330	95001-		P-UB-14	45 mm	90 mm	KOM-707-99-24760	156.33
	707-G7-00330	95001-		Bushing	45 mm		KOM-707-52-90221	13.12
TRACK ADJUSTER		95001-		TRK ADJ			KOM-SK100136	228.39
		95001-	w/ valve	TRK ADJ			KOM-SK100120	398.63
MODEL D40A-1, D40P-1								
LIFT	12F-63-13100	1501-2200		P-U-5	50 mm	80 mm	KOM-707-98-25050	201.35
	12F-63-13103	2201-		P-U-5	50 mm	80 mm	KOM-707-98-25050	201.35
	12F-63-13200	1501-2200		P-U-5	50 mm	80 mm	KOM-707-98-25050	201.35
	12F-63-13203	2201-		P-U-5	50 mm	80 mm	KOM-707-98-25050	201.35
MODEL D40A-3								
LIFT	12F-63-13701	6001-		P-U-14	45 mm	70 mm	KOM-12F-63-05020	154.77
	12F-63-13801	6001-		P-U-14	45 mm	70 mm	KOM-12F-63-05020	154.77
RIPPER	125-63-42300	6001-		P-U-14	60 mm	120 mm	KOM-707-98-41130	371.05
TRIMMING	124-63-79500	6001-		P-U-14	45 mm	90 mm	KOM-707-98-24530	267.28
	124-63-79600	6001-		P-U-14	45 mm	90 mm	KOM-707-98-24530	267.28
TRIMMING LIFT	124-63-69500	6001-		P-U-14	45 mm	70 mm	KOM-707-98-15650	155.07
	124-63-69600	6001-		P-U-14	45 mm	70 mm	KOM-707-98-15650	155.07
MODEL D40F-3								
TOOL BAR	120-63-48100	6221-		P-U-14	70 mm	140 mm	KOM-707-98-52100	460.72
	120-63-48200	6221-		P-U-14	70 mm	140 mm	KOM-707-98-52100	460.72
MODEL D40P-3, D40PL-3, D40PLL-3								
LIFT	12F-63-13701	6001-		P-U-14	45 mm	70 mm	KOM-12F-63-05020	154.77
	12F-63-13801	6001-		P-U-14	45 mm	70 mm	KOM-12F-63-05020	154.77
TILT	12F-63-52500	6001-		P-U-14	50 mm	100 mm	KOM-12F-63-05060	257.67
MODEL D40PL-1								
LIFT	12F-63-13100	1925-2200		P-U-5	50 mm	80 mm	KOM-707-98-25050	201.35
	12F-63-13103	2201-		P-U-5	50 mm	80 mm	KOM-707-98-25050	201.35
	12F-63-13200	1925-2200		P-U-5	50 mm	80 mm	KOM-707-98-25050	201.35
	12F-63-13203	2201-		P-U-5	50 mm	80 mm	KOM-707-98-25050	201.35
MODEL D41A-6								
BLADE ANGLE	124-63-02210	B20001-		P-U-10	65 mm	130 mm	KOM-707-98-42420	166.71

LT - Large size tire L/S - Loading Shovel SLF - Super Long Front B/H - Backhoe HD - Heavy Duty L BUCKET - Large Bucket
 K-LINK - K-type Linkage Blade LB HI-LIFT - High Lift Arm w Large Bucket HI-LIFT - High Lift Arm S HI-LIFT - Super High Lift Arm
 SU - Semi-U Dozer PAT - Power Angle Power Tilt MP - Mult-Purpose

FORMERLY LISTED REPAIR PARTS ARE AVAILABLE ONLINE AT WWW.HERCULESUS.COM
 OR BY CONTACTING YOUR REGIONAL HERCULES SALES TEAM.

Replacement Kits For

KOMATSU

Crawler Dozers								
APPLICATION	CYL #	SERIAL #	Misc	CODE	ROD	BORE	KIT #	List \$
MODEL D41A-6								
BLADE LIFT	124-63-02201	B20001-		P-U-14	50 mm	105 mm	KOM-707-98-32820	370.75
BLADE TILT	124-63-02222	B20001-		P-U-14	55 mm	110 mm	KOM-707-98-34590	327.00
MODEL D41E-6, D41P-6								
ANGLE	124-63-02210	B20001-		P-U-10	65 mm	130 mm	KOM-707-98-42420	166.71
	124-63-02210	B20001-		Bushing	65 mm		KOM-707-52-10660	31.73
BLADE LIFT	124-63-02201	B20001-		P-U-14	50 mm	105 mm	KOM-707-98-32820	370.75
LIFT	124-63-02201	B20001-		P-U-14	50 mm	105 mm	KOM-707-98-32820	370.75
	124-63-02201	B20001-		Bushing	50 mm		KOM-07177-05030	21.84
RIPPER	125-63-42300	B20001-		P-U-14	60 mm	120 mm	KOM-707-98-41130	371.05
	125-63-42300	B20001-		Bushing	60 mm		KOM-07177-06030	26.22
TILT	124-63-02221	B20001-		P-U-10	65 mm	130 mm	KOM-707-98-42420	166.71
	124-63-02221	B20001-		Bushing	55 mm		KOM-07177-05530	25.79
	124-63-02222	B20001-		P-U-14	55 mm	110 mm	KOM-707-98-34590	327.00
MODEL D50-17								
BLADE LIFT (A)	130-63-12300	80001-		P-U-5	55 mm	90 mm	KOM-707-98-26540	154.48
	130-63-12400	80001-		P-U-5	55 mm	90 mm	KOM-707-98-26540	154.48
BLADE LIFT (P)	13F-63-14300	80001-		P-U-5	55 mm	90 mm	KOM-707-98-26540	154.48
	13F-63-14400	80001-		P-U-5	55 mm	90 mm	KOM-707-98-26540	154.48
BLADE TILT	130-63-52500	80001-		P-U-14	70 mm	160 mm	KOM-707-98-60120	296.41
MODEL D50A-17								
LIFT	130-63-12006	80001-		P-U-5	55 mm	90 mm	KOM-707-98-26540	154.48
	130-63-12106	80001-		P-U-5	55 mm	90 mm	KOM-707-98-26540	154.48
MAP TILT	144-63-53300	80001-		P-U-14	70 mm	160 mm	KOM-707-98-60110	293.39
	144-63-53400	80001-		P-U-14	70 mm	160 mm	KOM-707-98-60110	293.39
TRIMMING LIFT	130-63-69100	80001-		P-U-5	55 mm	90 mm	KOM-707-98-26540	154.48
	130-63-69200	80001-		P-U-5	55 mm	90 mm	KOM-707-98-26540	154.48
MODEL D50P-17, D50PL-17								
LIFT	13F-63-13102	80001-		P-U-5	55 mm	90 mm	KOM-707-98-26540	154.48
	13F-63-13202	80001-		P-U-5	55 mm	90 mm	KOM-707-98-26540	154.48
TILT	130-63-52500	80001-		P-U-14	70 mm	160 mm	KOM-707-98-60120	296.41
MODEL D51EX-22								
ANGLE	707-00-0G851	B10001-		P-UB-14	50 mm	90 mm	KOM-707-99-25730	247.68
	707-00-0G851	B10001-		Bushing	50 mm		KOM-707-52-90260	18.21
LIFT	707-00-0G820	B10001-		P-UB-14	50 mm	90 mm	KOM-707-99-25720	131.83
	707-00-0G820	B10001-		Bushing	50 mm		KOM-707-52-90250	21.84
	707-00-0G830	B10001-		P-UB-14	50 mm	90 mm	KOM-707-99-25720	131.83
	707-00-0G830	B10001-		Bushing	50 mm		KOM-707-52-90250	21.84
RIPPER	707-00-XG860	B10001-		P-UB-14	60 mm	110 mm	KOM-707-99-35720	304.02
	707-00-XG860	B10001-		Bushing	60 mm		KOM-707-52-90350	26.22
TILT	707-00-0G840	B10001-		P-UB-14	55 mm	100 mm	KOM-707-99-34300	256.44
	707-00-0G840	B10001-		Bushing	55 mm		KOM-707-52-90300	26.00
MODEL D51EX-24								
ANGLE	707-G0-02040	10001-		P-UB-14	50 mm	90 mm	KOM-721-98-02510	244.90
LIFT LH	707-G0-02050	10001-		P-UB-14	50 mm	90 mm	KOM-721-98-02520	114.33
LIFT RH	707-G0-02090	10001-		P-UB-14	50 mm	90 mm	KOM-721-98-02520	114.33
RIPPER		10001-		P-UB-14	60 mm	110 mm	KOM-721-98-02660	103.91
TILT	707-G0-02100	10001-15600		P-UB-14	55 mm	100 mm	KOM-721-98-02540	170.25
	707-G0-03700	15601-		P-UB-14	55 mm	100 mm	KOM-721-98-06150	165.12
MODEL D51EXi-22								
ANGLE LH	707-11-90A50	B13500-		P-UB-14	50 mm	90 mm	KOM-707-99-25420	260.51
	707-11-90A50	B13500-		Bushing	50 mm		KOM-707-52-90261	22.94
ANGLE RH	707-11-90A70	B13500-		P-UB-14	50 mm	90 mm	KOM-707-99-25420	260.51
	707-11-90A70	B13500-		Bushing	50 mm		KOM-707-52-90261	22.94
LIFT LH	707-11-90A60	B13500-		P-UB-14	50 mm	90 mm	KOM-707-99-25430	239.24
	707-11-90A60	B13500-		Bushing	50 mm		KOM-707-52-90251	21.84

LT - Large size tire L/S - Loading Shovel SLF - Super Long Front B/H - Backhoe HD - Heavy Duty L BUCKET - Large Bucket
 K-LINK - K-type Linkage Blade LB HI-LIFT - High Lift Arm w Large Bucket HI-LIFT - High Lift Arm S HI-LIFT - Super High Lift Arm
 SU - Semi-U Dozer PAT - Power Angle Power Tilt MP - Mult-Purpose

KOMATSU

Replacement Kits For

Crawler Dozers								
APPLICATION	CYL #	SERIAL #	Misc	CODE	ROD	BORE	KIT #	List \$
MODEL D51EXi-22								
LIFT RH	707-11-90A40	B13500-		P-UB-14	50 mm	90 mm	KOM-707-99-25410	250.63
	707-11-90A40	B13500-		Bushing	50 mm		KOM-707-52-90261	22.94
TILT	707-11-10K20	B13500-B14298		P-U-14	55 mm	100 mm	KOM-707-99-34330	222.90
	707-11-10K20	B13500-B14298		Bushing	55 mm		KOM-707-52-90301	26.00
	707-11-10K21	B14299-		P-U-14	55 mm	100 mm	KOM-707-99-34330	222.90
	707-11-10K21	B14299-		Bushing	55 mm		KOM-707-52-90301	26.00
MODEL D51EXi-24								
ANGLE LH	707-G7-00440	10001-15600		P-UB-14	50 mm	90 mm	KOM-721-98-02550	240.30
	707-G7-01220	15601-		P-UB-14	50 mm	90 mm	KOM-707-99-25420	260.51
ANGLE RH	707-G0-02040	10001-		P-UB-14	50 mm	90 mm	KOM-721-98-02510	244.90
LIFT LH	707-G0-02050	10001-		P-UB-14	50 mm	90 mm	KOM-721-98-02520	114.33
LIFT RH	707-G7-00450	10001-		P-UB-14	50 mm	90 mm	KOM-721-98-02560	114.86
RIPPER	707-G0-01970	10001-		P-UB-14	60 mm	110 mm	KOM-721-98-02660	103.91
TILT	707-G7-00460	10001-15600		P-UB-14	55 mm	100 mm	KOM-721-98-02570	170.85
	707-G7-01210	15601-		P-UB-14	55 mm	100 mm	KOM-721-98-06160	165.72
MODEL D51PX-22								
ANGLE	707-00-0G851	B10001-		P-UB-14	50 mm	90 mm	KOM-707-99-25730	247.68
	707-00-0G851	B10001-		Bushing	50 mm		KOM-707-52-90260	18.21
LIFT	707-00-0G820	B10001-		P-UB-14	50 mm	90 mm	KOM-707-99-25720	131.83
	707-00-0G820	B10001-		Bushing	50 mm		KOM-707-52-90250	21.84
	707-00-0G830	B10001-		P-UB-14	50 mm	90 mm	KOM-707-99-25720	131.83
	707-00-0G830	B10001-		Bushing	50 mm		KOM-707-52-90250	21.84
RIPPER	707-00-XG860	B10001-		P-UB-14	60 mm	110 mm	KOM-707-99-35720	304.02
	707-00-XG860	B10001-		Bushing	60 mm		KOM-707-52-90350	26.22
TILT	707-00-0G840	B10001-		P-UB-14	55 mm	100 mm	KOM-707-99-34300	256.44
	707-00-0G840	B10001-		Bushing	55 mm		KOM-707-52-90300	26.00
TRACK ADJUSTER		B10001-		TRK ADJ			KOM-SK100137	157.07
		B10001-	kit w/ valve	TRK ADJ			KOM-SK100121	384.11
MODEL D51PX-24								
ANGLE	707-G0-02040	10001-		P-UB-14	50 mm	90 mm	KOM-721-98-02510	244.90
LIFT LH	707-G0-02050	10001-		P-UB-14	50 mm	90 mm	KOM-721-98-02520	114.33
LIFT RH	707-G0-02090	10001-		P-UB-14	50 mm	90 mm	KOM-721-98-02520	114.33
TILT	707-G0-02100	10001-15600		P-UB-14	55 mm	100 mm	KOM-721-98-02540	170.25
	707-G0-03700	15601-		P-UB-14	55 mm	100 mm	KOM-721-98-06150	165.12
TRACK ADJUSTER		10001-		TRK ADJ			KOM-SK100137	157.07
		10001-	kit w/ valve	TRK ADJ			KOM-SK100121	384.11
MODEL D51PXi-22								
ANGLE LH	707-11-90A50	B13500-		P-UB-14	50 mm	90 mm	KOM-707-99-25420	260.51
	707-11-90A50	B13500-		Bushing	50 mm		KOM-707-52-90261	22.94
ANGLE RH	707-11-90A70	B13500-		P-UB-14	50 mm	90 mm	KOM-707-99-25420	260.51
	707-11-90A70	B13500-		Bushing	50 mm		KOM-707-52-90261	22.94
LIFT LH	707-11-90A60	B13500-		P-UB-14	50 mm	90 mm	KOM-707-99-25430	239.24
	707-11-90A60	B13500-		Bushing	50 mm		KOM-707-52-90251	21.84
LIFT RH	707-11-90A40	B13500-		P-UB-14	50 mm	90 mm	KOM-707-99-25410	250.63
	707-11-90A40	B13500-		Bushing	50 mm		KOM-707-52-90261	22.94
TILT	707-11-10K20	B13500-B14298		P-U-14	55 mm	100 mm	KOM-707-99-34330	222.90
	707-11-10K20	B13500-B14298		Bushing	55 mm		KOM-707-52-90301	26.00
	707-11-10K21	B14299-		P-U-14	55 mm	100 mm	KOM-707-99-34330	222.90
	707-11-10K21	B14299-		Bushing	55 mm		KOM-707-52-90301	26.00
TRACK ADJUSTER		B13500-		TRK ADJ			KOM-SK100137	157.07
		B13500-	kit w/ valve	TRK ADJ			KOM-SK100121	384.11
MODEL D51PXi-24								
ANGLE LH	707-G7-00440	10001-		P-UB-14	50 mm	90 mm	KOM-721-98-02550	240.30
	707-G7-01220	15601-		P-UB-14	50 mm	90 mm	KOM-707-99-25420	260.51
ANGLE RH	707-G0-02040	10001-		P-UB-14	50 mm	90 mm	KOM-721-98-02510	244.90

LT - Large size tire L/S - Loading Shovel SLF - Super Long Front B/H - Backhoe HD - Heavy Duty L BUCKET - Large Bucket
 K-LINK - K-type Linkage Blade LB HI-LIFT - High Lift Arm w Large Bucket HI-LIFT - High Lift Arm S HI-LIFT - Super High Lift Arm
 SU - Semi-U Dozer PAT - Power Angle Power Tilt MP - Multi-Purpose

FORMERLY LISTED REPAIR PARTS ARE AVAILABLE ONLINE AT WWW.HERCULESUS.COM
 OR BY CONTACTING YOUR REGIONAL HERCULES SALES TEAM.

Replacement Kits For

KOMATSU

Crawler Dozers								
APPLICATION	CYL #	SERIAL #	Misc	CODE	ROD	BORE	KIT #	List \$
MODEL D51PXi-24								
LIFT LH	707-G0-02050	10001-		P-UB-14	50 mm	90 mm	KOM-721-98-02520	114.33
LIFT RH	707-G7-00450	10001-		P-UB-14	50 mm	90 mm	KOM-721-98-02560	114.86
TILT	707-G7-00460	10001-15600		P-UB-14	55 mm	100 mm	KOM-721-98-02570	170.85
	707-G7-01210	15601-		P-UB-14	55 mm	100 mm	KOM-721-98-06160	165.72
MODEL D58E-1B								
PAT ANGLE	13F-63-02110	81285-		P-U-10	60 mm	120 mm	KOM-707-98-41020	165.11
PAT TILT	13F-63-02080	81285-		P-U-14	75 mm	150 mm	KOM-707-98-53410	385.45
MODEL D60A-8								
LIFT	144-63-12502	45001-		P-U-14	65 mm	110 mm	KOM-144-63-05050	319.33
	144-63-12602	45001-		P-U-14	65 mm	110 mm	KOM-144-63-05050	319.33
MAP TILT	144-63-53300	45001-		P-U-14	70 mm	160 mm	KOM-707-98-60110	293.39
	144-63-53400	45001-		P-U-14	70 mm	160 mm	KOM-707-98-60110	293.39
RIPPER	144-63-42100	45001-		P-U-14	75 mm	160 mm	KOM-707-98-61100	377.53
TRIMMING	144-63-97300	45001-		P-U-14	55 mm	120 mm	KOM-707-99-40040	343.74
	144-63-97400	45001-		P-U-14	55 mm	120 mm	KOM-707-99-40040	343.74
TRIMMING LIFT	144-63-69500	45001-		P-U-14	65 mm	110 mm	KOM-707-99-36420	301.83
	144-63-69600	45001-		P-U-14	65 mm	110 mm	KOM-707-99-36420	301.83
MODEL D60A-8, D65A-8								
LIFT (FOR EC)	144-63-02011	45001-		P-U-10	65 mm	110 mm	KOM-707-98-36411	223.29
	144-63-02021	45001-		P-U-10	65 mm	110 mm	KOM-707-98-36411	223.29
MODEL D60E-8								
LIFT	144-63-13502	45001-		P-N-14	65 mm	110 mm	KOM-144-63-05020	240.04
	144-63-13602	45001-		P-N-14	65 mm	110 mm	KOM-144-63-05020	240.04
RIPPER	144-63-42100	45001-		P-U-14	75 mm	160 mm	KOM-707-98-61100	377.53
TILT	144-63-52200	45001-		P-U-14	70 mm	160 mm	KOM-144-63-05080	293.69
MODEL D60P-8, D60PL-8								
LIFT	144-63-13503	45001-		P-U-14	65 mm	110 mm	KOM-144-63-05050	319.33
	144-63-13603	45001-		P-U-14	65 mm	110 mm	KOM-144-63-05050	319.33
TILT	144-63-52200	45001-		P-U-14	70 mm	160 mm	KOM-144-63-05080	293.69
MODEL D60S-8								
DUMP	141-63-32300	45001-		P-U-14	60 mm	140 mm	KOM-141-63-05010	337.38
	141-63-32400	45001-		P-U-14	60 mm	140 mm	KOM-141-63-05010	337.38
DUMP (HI-LIFT)	141-63-33100	45001-		P-U-14	60 mm	140 mm	KOM-707-98-50100	337.38
	141-63-33200	45001-		P-U-14	60 mm	140 mm	KOM-707-98-50100	337.38
LIFT	141-63-22300	45001-		P-U-14	75 mm	160 mm	KOM-141-63-05050	382.78
	141-63-22400	45001-		P-U-14	75 mm	160 mm	KOM-141-63-05050	382.78
MODEL D61EX-12, D61PX-12								
ANGLE (PAT)	134-63-01070	1001-1181, B3001-		I-UB-14	60 mm	100 mm	KOM-707-99-35160	273.68
	134-63-01071	1182-		P-UB-14	60 mm	100 mm	KOM-707-99-35170	93.16
LIFT (PAT)	134-63-01012	1001-1181, B3001-		I-U-14	55 mm	110 mm	KOM-707-98-34580	258.34
	134-63-01013	1182-		P-UB-14	55 mm	110 mm	KOM-707-99-34600	158.74
LIFT (SU, STT)	134-63-01060	1001-, B3001-		P-U-14	55 mm	110 mm	KOM-707-98-34640	156.17
RIPPER	14X-63-01052	1001-, B3001-	D61EX-12	P-U-14	70 mm	140 mm	KOM-707-98-52130	391.52
TILT (PAT)	134-63-01031	1001-1181, B3001-		I-U-14	70 mm	130 mm	KOM-707-98-43620	354.38
	134-63-01032	1182-		P-UB-14	70 mm	130 mm	KOM-707-99-43680	130.86
TILT (SU, STT)	134-63-01041	1001-, B3001-		P-U-14	70 mm	140 mm	KOM-707-98-52140	324.56
MODEL D61EX-15, D61PX-15								
ANGLE (PAT)	707-00-0C691	B40001-, B45001-		P-UB-14	65 mm	110 mm	KOM-707-99-36550	124.43
	707-00-0C691	B40001-, B45001-		Bushing	65 mm		KOM-707-52-90400	30.52
LIFT	707-00-0C671	B40001-, B45001-		P-UB-14	55 mm	110 mm	KOM-707-99-34620	174.03
	707-00-0C671	B40001-, B45001-		Bushing	55 mm		KOM-707-52-90300	26.00
LIFT (PAT)	707-00-0C681	B40001-, B45001-		P-UB-14	55 mm	110 mm	KOM-707-99-34630	162.82
	707-00-0C681	B40001-, B45001-		Bushing	55 mm		KOM-707-52-90300	26.00

LT - Large size tire L/S - Loading Shovel SLF - Super Long Front B/H - Backhoe HD - Heavy Duty L BUCKET - Large Bucket
 K-LINK - K-type Linkage Blade LB HI-LIFT - High Lift Arm w Large Bucket HI-LIFT - High Lift Arm S HI-LIFT - Super High Lift Arm
 SU - Semi-U Dozer PAT - Power Angle Power Tilt MP - Mult-Purpose

Replacement Kits For

KOMATSU

Crawler Dozers								
APPLICATION	CYL #	SERIAL #	Misc	CODE	ROD	BORE	KIT #	List \$
MODEL D61EX-15, D61PX-15								
RIPPER	707-01-0C851	B40001-, B45001-	D61EX-15	P-UB-14	70 mm	140 mm	KOM-707-99-52170	160.77
	707-01-0C851	B40001-, B45001-		Bushing	70 mm		KOM-707-52-90470	32.40
TILT	707-01-0C521	B40001-, B45001-		P-UB-14	70 mm	140 mm	KOM-707-99-52160	149.69
	707-01-0C521	B40001-, B45001-		Bushing	70 mm		KOM-707-52-90470	32.40
TILT (PAT)	707-00-0C821	B40001-, B45001-		P-UB-14	70 mm	130 mm	KOM-707-99-43690	134.23
TRACK ADJUSTER		B40001-		TRK ADJ			KOM-SK100140	182.60
		B40001-	kit w/ valve	TRK ADJ			KOM-SK100124	349.50
MODEL D61EX-23								
ANGLE	707-E0-00590	30001-32167		P-UB-14	65 mm	110 mm	KOM-707-99-36690	362.96
	707-E0-00590	30001-32167		Bushing	65 mm		KOM-707-52-90401	30.52
	707-E0-00592	32168-		P-UB-14	65 mm	110 mm	KOM-707-99-36690	362.96
	707-E0-00592	32168-		Bushing	65 mm		KOM-707-52-90401	30.52
LIFT LH	707-E0-00610	30001-		P-UB-14	55 mm	100 mm	KOM-707-99-34250	383.85
	707-E0-00610	30001-		Bushing	55 mm		KOM-707-52-90301	26.00
LIFT RH	707-E0-00620	30001-		P-UB-14	55 mm	100 mm	KOM-707-99-34250	383.85
	707-E0-00620	30001-		Bushing	55 mm		KOM-707-52-90301	26.00
RIPPER	707-E0-00600	30001-		P-UB-14	70 mm	125 mm	KOM-707-99-42300	342.24
	707-E0-00600	30001-		Bushing	70 mm		KOM-707-52-90451	34.45
TILT	707-E0-00570	30001-		P-UB-14	70 mm	120 mm	KOM-707-99-42220	417.22
	707-E0-00570	30001-		Bushing	70 mm		KOM-707-52-90461	14.40
MODEL D61EX-24								
ANGLE	707-E0-00591	40001-40632; B60001-B60549		P-UB-14	65 mm	110 mm	KOM-707-99-36690	362.96
	707-E0-00591	40001-40632; B60001-B60549		Bushing	65 mm		KOM-707-52-90401	30.52
	707-E0-00592	40633-; B60550-		P-UB-14	65 mm	110 mm	KOM-707-99-36690	362.96
	707-E0-00592	40633-; B60550-		Bushing	65 mm		KOM-707-52-90401	30.52
LIFT LH	707-E0-00610	40001-; B60001-		P-UB-14	55 mm	100 mm	KOM-707-99-34250	383.85
	707-E0-00610	40001-; B60001-		Bushing	55 mm		KOM-707-52-90301	26.00
LIFT RH	707-E0-00620	40001-; B60001-		P-UB-14	55 mm	100 mm	KOM-707-99-34250	383.85
	707-E0-00620	40001-; B60001-		Bushing	55 mm		KOM-707-52-90301	26.00
RIPPER	707-E0-00600	40001-; B60001-		P-UB-14	70 mm	125 mm	KOM-707-99-42300	342.24
	707-E0-00600	40001-; B60001-		Bushing	70 mm		KOM-707-52-90451	34.45
TILT	707-E0-00570	40001-; B60001-		P-UB-14	70 mm	120 mm	KOM-707-99-42220	417.22
	707-E0-00570	40001-; B60001-		Bushing	70 mm		KOM-707-52-90461	14.40
TRACK ADJUSTER		40001-; B60001-	w/ valve	TRK ADJ			KOM-SK100215	238.42
		40001-; B60001-		TRK ADJ			KOM-SK100216	196.84
MODEL D61EXi-23								
ANGLE LH	707-E7-00020	30001-32165		P-UB-14	65 mm	110 mm	KOM-707-99-36740	367.87
	707-E7-00020	30001-32165		Bushing	65 mm		KOM-707-52-90401	30.52
	707-E7-00021	32166-		P-UB-14	65 mm	110 mm	KOM-721-98-03270	367.87
	707-E7-00021	32166-		Bushing	65 mm		KOM-707-52-90401	30.52
ANGLE RH	707-E0-00590	30001-32165		P-UB-14	65 mm	110 mm	KOM-707-99-36690	362.96
	707-E0-00590	30001-32165		Bushing	65 mm		KOM-707-52-90401	30.52
	707-E0-00592	32166-		P-UB-14	65 mm	110 mm	KOM-707-99-36690	362.96
	707-E0-00592	32166-		Bushing	65 mm		KOM-707-52-90401	30.52
LIFT LH	707-E0-00610	30001-		P-UB-14	55 mm	100 mm	KOM-707-99-34250	383.85
	707-E0-00610	30001-		Bushing	55 mm		KOM-707-52-90301	26.00
LIFT RH	707-E7-00010	30001-		P-UB-14	55 mm	100 mm	KOM-707-99-34320	366.37
	707-E7-00010	30001-		Bushing	55 mm		KOM-707-52-90301	26.00
RIPPER	707-E0-00600	30001-		P-UB-14	70 mm	125 mm	KOM-707-99-42300	342.24
	707-E0-00600	30001-		Bushing	70 mm		KOM-707-52-90451	34.45
TILT	707-E7-00030	30001-		P-UB-14	70 mm	120 mm	KOM-707-99-42330	383.86
	707-E7-00030	30001-		Bushing	70 mm		KOM-707-52-90461	14.40

LT - Large size tire L/S - Loading Shovel SLF - Super Long Front B/H - Backhoe HD - Heavy Duty L BUCKET - Large Bucket
 K-LINK - K-type Linkage Blade LB HI-LIFT - High Lift Arm w Large Bucket HI-LIFT - High Lift Arm S HI-LIFT - Super High Lift Arm
 SU - Semi-U Dozer PAT - Power Angle Power Tilt MP - Mult-Purpose

FORMERLY LISTED REPAIR PARTS ARE AVAILABLE ONLINE AT WWW.HERCULESUS.COM
 OR BY CONTACTING YOUR REGIONAL HERCULES SALES TEAM.

Replacement Kits For

KOMATSU

Crawler Dozers								
APPLICATION	CYL #	SERIAL #	Misc	CODE	ROD	BORE	KIT #	List \$
MODEL D61EXi-24								
ANGLE LH	707-G7-00150	40001-40633; B60001-B60549		P-UB-14	65 mm	110 mm	KOM-707-99-36740	367.87
	707-G7-00150	40001-40633; B60001-B60549		Bushing	65 mm		KOM-707-52-90401	30.52
	707-G7-00151	40634-; B60550-		P-UB-14	65 mm	110 mm	KOM-707-99-36740	367.87
	707-G7-00151	40634-; B60550-		Bushing	65 mm		KOM-707-52-90401	30.52
ANGLE RH	707-E0-00591	40001-40632; B60001-B60549		P-UB-14	65 mm	110 mm	KOM-707-99-36690	362.96
	707-E0-00591	40001-40632; B60001-B60549		Bushing	65 mm		KOM-707-52-90401	30.52
	707-E0-00592	40633-; B60550-		P-UB-14	65 mm	110 mm	KOM-707-99-36690	362.96
	707-E0-00592	40633-; B60550-		Bushing	65 mm		KOM-707-52-90401	30.52
LIFT LH	707-E0-00610	40001-; B60001-		P-UB-14	55 mm	100 mm	KOM-707-99-34250	383.85
	707-E0-00610	40001-; B60001-		Bushing	55 mm		KOM-707-52-90301	26.00
LIFT RH	707-E7-00010	40001-; B60001-		P-UB-14	55 mm	100 mm	KOM-707-99-34320	366.37
	707-E7-00010	40001-; B60001-		Bushing	55 mm		KOM-707-52-90301	26.00
RIPPER	707-E0-00600	40001-; B60001-		P-UB-14	70 mm	125 mm	KOM-707-99-42300	342.24
	707-E0-00600	40001-; B60001-		Bushing	70 mm		KOM-707-52-90451	34.45
TILT	707-G7-00290	40001-; B60001-		P-UB-14	70 mm	120 mm	KOM-707-99-42330	383.86
	707-G7-00290	40001-; B60001-		Bushing	70 mm		KOM-707-52-90461	14.40
TRACK ADJUSTER		40001-; B60001-	w/ valve	TRK ADJ			KOM-SK100215	238.42
		40001-; B60001-		TRK ADJ			KOM-SK100216	196.84
MODEL D61PX-23								
ANGLE	707-E0-00590	30001-32172		P-UB-14	65 mm	110 mm	KOM-707-99-36690	362.96
	707-E0-00590	30001-32172		Bushing	65 mm		KOM-707-52-90401	30.52
	707-E0-00592	32173-		P-UB-14	65 mm	110 mm	KOM-707-99-36690	362.96
	707-E0-00592	32173-		Bushing	65 mm		KOM-707-52-90401	30.52
LIFT LH	707-E0-00610	30001-		P-UB-14	55 mm	100 mm	KOM-707-99-34250	383.85
	707-E0-00610	30001-		Bushing	55 mm		KOM-707-52-90301	26.00
LIFT RH	707-E0-00620	30001-		P-UB-14	55 mm	100 mm	KOM-707-99-34250	383.85
	707-E0-00620	30001-		Bushing	55 mm		KOM-707-52-90301	26.00
TILT	707-E0-00570	30001-		P-UB-14	70 mm	120 mm	KOM-707-99-42220	417.22
	707-E0-00570	30001-		Bushing	70 mm		KOM-707-52-90461	14.40
MODEL D61PX-24								
ANGLE	707-E0-00591	40001-40632; B60001-B60549		P-UB-14	65 mm	110 mm	KOM-707-99-36690	362.96
	707-E0-00591	40001-40632; B60001-B60549		Bushing	65 mm		KOM-707-52-90401	30.52
	707-E0-00592	40633-; B60550-		P-UB-14	65 mm	110 mm	KOM-707-99-36690	362.96
	707-E0-00592	40633-; B60550-		Bushing	65 mm		KOM-707-52-90401	30.52
LIFT LH	707-E0-00610	40001-; B60001-		P-UB-14	55 mm	100 mm	KOM-707-99-34250	383.85
	707-E0-00610	40001-; B60001-		Bushing	55 mm		KOM-707-52-90301	26.00
LIFT RH	707-E0-00620	40001-; B60001-		P-UB-14	55 mm	100 mm	KOM-707-99-34250	383.85
	707-E0-00620	40001-; B60001-		Bushing	55 mm		KOM-707-52-90301	26.00
RIPPER	707-E0-00600	B60001-		P-UB-14	70 mm	125 mm	KOM-707-99-42300	342.24
	707-E0-00600	B60001-		Bushing	70 mm		KOM-707-52-90451	34.45
TILT	707-E0-00570	40001-; B60001-		P-UB-14	70 mm	120 mm	KOM-707-99-42220	417.22
	707-E0-00570	40001-; B60001-		Bushing	70 mm		KOM-707-52-90461	14.40
TRACK ADJUSTER		40001-; B60001-		TRK ADJ			KOM-SK100216	196.84
		40001-; B60001-	w/ valve	TRK ADJ			KOM-SK100215	238.42
MODEL D61PXi-23								
ANGLE LH	707-E7-00020	30001-32166		P-UB-14	65 mm	110 mm	KOM-707-99-36740	367.87
	707-E7-00020	30001-32166		Bushing	65 mm		KOM-707-52-90401	30.52
	707-E7-00021	32167-		P-UB-14	65 mm	110 mm	KOM-721-98-03270	367.87
	707-E7-00021	32167-		Bushing	65 mm		KOM-707-52-90401	30.52
ANGLE RH	707-E0-00590	30001-32166		P-UB-14	65 mm	110 mm	KOM-707-99-36690	362.96

LT - Large size tire L/S - Loading Shovel SLF - Super Long Front B/H - Backhoe HD - Heavy Duty L BUCKET - Large Bucket
 K-LINK - K-type Linkage Blade LB HI-LIFT - High Lift Arm w Large Bucket HI-LIFT - High Lift Arm S HI-LIFT - Super High Lift Arm
 SU - Semi-U Dozer PAT - Power Angle Power Tilt MP - Mulit-Purpose

KOMATSU

Crawler Dozers								
APPLICATION	CYL #	SERIAL #	Misc	CODE	ROD	BORE	KIT #	List \$
MODEL D61PXi-23								
ANGLE RH	707-E0-00590	30001-32166		Bushing	65 mm		KOM-707-52-90401	30.52
	707-E0-00592	32167-		P-UB-14	65 mm	110 mm	KOM-707-99-36690	362.96
	707-E0-00592	32167-		Bushing	65 mm		KOM-707-52-90401	30.52
LIFT LH	707-E0-00610	30001-		P-UB-14	55 mm	100 mm	KOM-707-99-34250	383.85
	707-E0-00610	30001-		Bushing	55 mm		KOM-707-52-90301	26.00
LIFT RH	707-E7-00010	30001-		P-UB-14	55 mm	100 mm	KOM-707-99-34320	366.37
	707-E7-00010	30001-		Bushing	55 mm		KOM-707-52-90301	26.00
TILT	707-E7-00030	30001-		P-UB-14	70 mm	120 mm	KOM-707-99-42330	383.86
	707-E7-00030	30001-		Bushing	70 mm		KOM-707-52-90461	14.40
MODEL D61PXi-24								
ANGLE LH	707-G7-00150	40001-40633; B60001-B60549		P-UB-14	65 mm	110 mm	KOM-707-99-36740	367.87
	707-G7-00150	40001-40633; B60001-B60549		Bushing	65 mm		KOM-707-52-90401	30.52
	707-G7-00151	40634-; B60550-		P-UB-14	65 mm	110 mm	KOM-707-99-36740	367.87
	707-G7-00151	40634-; B60550-		Bushing	65 mm		KOM-707-52-90401	30.52
ANGLE RH	707-E0-00591	40001-40632; B60001-B60549		P-UB-14	65 mm	110 mm	KOM-707-99-36690	362.96
	707-E0-00591	40001-40632; B60001-B60549		Bushing	65 mm		KOM-707-52-90401	30.52
	707-E0-00592	40633-; B60550-		P-UB-14	65 mm	110 mm	KOM-707-99-36690	362.96
	707-E0-00592	40633-; B60550-		Bushing	65 mm		KOM-707-52-90401	30.52
LIFT LH	707-E0-00610	40001-; B60001-		P-UB-14	55 mm	100 mm	KOM-707-99-34250	383.85
	707-E0-00610	40001-; B60001-		Bushing	55 mm		KOM-707-52-90301	26.00
LIFT RH	707-E7-00010	40001-; B60001-		P-UB-14	55 mm	100 mm	KOM-707-99-34320	366.37
	707-E7-00010	40001-; B60001-		Bushing	55 mm		KOM-707-52-90301	26.00
RIPPER	707-E0-00600	B60001-		P-UB-14	70 mm	125 mm	KOM-707-99-42300	342.24
	707-E0-00600	B60001-		Bushing	70 mm		KOM-707-52-90451	34.45
TILT	707-G7-00290	40001-; B60001-		P-UB-14	70 mm	120 mm	KOM-707-99-42330	383.86
	707-G7-00290	40001-; B60001-		Bushing	70 mm		KOM-707-52-90461	14.40
TRACK ADJUSTER		40001-; B60001-		TRK ADJ			KOM-SK100216	196.84
		40001-; B60001-	w/ valve	TRK ADJ			KOM-SK100215	238.42
MODEL D65A-8								
LIFT	144-63-12602	45001-		P-U-14	65 mm	110 mm	KOM-144-63-05050	319.33
	144-63-69600	45001-		P-U-14	65 mm	110 mm	KOM-144-63-05050	319.33
MAP TILT	144-63-53300	45001-		P-U-14	70 mm	160 mm	KOM-707-98-60110	293.39
	144-63-53400	45001-		P-U-14	70 mm	160 mm	KOM-707-98-60110	293.39
RIPPER	144-63-42100	45001-		P-U-14	75 mm	160 mm	KOM-707-98-61100	377.53
TRIMMING	144-63-97300	45001-		P-U-14	55 mm	120 mm	KOM-707-99-40040	343.74
	144-63-97400	45001-		P-U-14	55 mm	120 mm	KOM-707-99-40040	343.74
TRIMMING LIFT	144-63-69500	45001-		P-U-14	65 mm	110 mm	KOM-707-99-36420	301.83
	144-63-69600			P-U-14	65 mm	110 mm	KOM-707-99-36420	301.83
MODEL D65E-12								
LIFT	14X-63-01063	60942-		P-U-14	65 mm	95 mm	KOM-707-98-28600	334.27
	14X-63-01063	60942-		Bushing	65 mm		KOM-707-52-10660	31.73
LIFT (TRIMMING)	14X-63-07011	60942-60993		P-U-14	65 mm	95 mm	KOM-707-98-28600	334.27
	14X-63-07011	60942-60993		Bushing	65 mm		KOM-707-52-10660	31.73
	14X-63-07012	60994-		P-U-14	65 mm	95 mm	KOM-707-98-28600	334.27
	14X-63-07012	60994-		Bushing	65 mm		KOM-707-52-10660	31.73
RIPPER	14X-63-01052	60942-		P-U-14	70 mm	140 mm	KOM-707-98-52130	391.52
	14X-63-01052	60942-		Bushing	70 mm		KOM-707-52-10700	31.69
TILT	14Y-63-01032	61027-65558		P-U-14	70 mm	140 mm	KOM-707-98-52140	324.56
	14Y-63-01033	60942-61026		P-U-14	70 mm	140 mm	KOM-707-98-52140	324.56
	707-01-0C300	6559-65582		P-U-14	70 mm	140 mm	KOM-707-98-52210	147.56
	707-01-0C301	65583-		P-UB-14	70 mm	140 mm	KOM-707-99-52160	149.69
TRIMMING LH	14X-63-07030	60942-		P-U-14	55 mm	120 mm	KOM-707-98-40020	386.05

LT - Large size tire L/S - Loading Shovel SLF - Super Long Front B/H - Backhoe HD - Heavy Duty L BUCKET - Large Bucket
 K-LINK - K-type Linkage Blade LB HI-LIFT - High Lift Arm w Large Bucket HI-LIFT - High Lift Arm S HI-LIFT - Super High Lift Arm
 SU - Semi-U Dozer PAT - Power Angle Power Tilt MP - Mult-Purpose

Replacement Kits For

KOMATSU

Crawler Dozers								
APPLICATION	CYL #	SERIAL #	Misc	CODE	ROD	BORE	KIT #	List \$
MODEL D65E-12								
TRIMMING LH	14X-63-07030	60942-		Bushing	55 mm		KOM-07177-05530	25.79
TRIMMING RH	14X-63-07040	60942-		P-U-14	55 mm	120 mm	KOM-707-98-40020	386.05
	14X-63-07040	60942-		Bushing	55 mm		KOM-07177-05530	25.79
MODEL D65EX-12								
LIFT	14X-63-01062	60001-60475		P-U-14	65 mm	95 mm	KOM-707-98-28600	334.27
	14X-63-01062	60001-60475		Bushing	65 mm		KOM-707-52-10660	31.73
	14X-63-01063	60476-		P-U-14	65 mm	95 mm	KOM-707-98-28600	334.27
	14X-63-01063	60476-		Bushing	65 mm		KOM-707-52-10660	31.73
	14Y-63-01014	60942-		P-U-14	65 mm	95 mm	KOM-707-98-28600	334.27
	14Y-63-01014	60942-		Bushing	65 mm		KOM-707-52-10660	31.73
LIFT (TRIMMING)	14X-63-07010	60001-60542		P-U-14	65 mm	95 mm	KOM-707-98-28600	334.27
	14X-63-07010	60001-60542		Bushing	65 mm		KOM-707-52-10660	31.73
	14X-63-07011	60543-60993		P-U-14	65 mm	95 mm	KOM-707-98-28600	334.27
	14X-63-07011	60543-60993		Bushing	65 mm		KOM-707-52-10660	31.73
	14X-63-07012	60994-		P-U-14	65 mm	95 mm	KOM-707-98-28600	334.27
	14X-63-07012	60994-		Bushing	65 mm		KOM-707-52-10660	31.73
RIPPER	14X-63-01052	60001-		P-U-14	70 mm	140 mm	KOM-707-98-52130	391.52
	14X-63-01052	60001-		Bushing	70 mm		KOM-707-52-10700	31.69
TILT	14Y-63-52142	61027-65558		P-U-14	70 mm	140 mm	KOM-707-98-52140	324.56
	14Y-63-52142	61027-65558		Bushing	70 mm		KOM-707-52-10700	31.69
	14Y-63-52143	60942-61026		P-U-14	70 mm	140 mm	KOM-707-98-52140	324.56
	14Y-63-52143	60942-61026		Bushing	70 mm		KOM-707-52-10700	31.69
	707-01-0C300	65559-65582		P-U-14	70 mm	140 mm	KOM-707-98-52210	147.56
	707-01-0C301	65583-		P-UB-14	70 mm	140 mm	KOM-707-99-52160	149.69
TILT/PITCH	14Y-63-01032	60476-		P-U-14	70 mm	140 mm	KOM-707-98-52140	324.56
	14Y-63-01032	60476-		Bushing	70 mm		KOM-707-52-10700	31.69
	14Y-63-01033	60001-60475		P-U-14	70 mm	140 mm	KOM-707-98-52140	324.56
	14Y-63-01033	60001-60475		Bushing	70 mm		KOM-707-52-10700	31.69
TRIMMING LH	14X-63-07030	60001-		P-U-14	55 mm	120 mm	KOM-707-98-40020	386.05
	14X-63-07030	60001-		Bushing	55 mm		KOM-07177-05530	25.79
TRIMMING RH	14X-63-07040	60001-		P-U-14	55 mm	120 mm	KOM-707-98-40020	386.05
	14X-63-07040	60001-		Bushing	55 mm		KOM-07177-05530	25.79
MODEL D65EX-15								
LIFT	707-02-00270	67001-67430		P-U-14	65 mm	95 mm	KOM-707-98-28640	202.68
	707-02-00270	67001-67430		Bushing	65 mm		KOM-707-52-10660	31.73
	707-02-00271	67431-, 69001-		P-UB-14	65 mm	95 mm	KOM-707-99-25880	223.69
	707-02-00271	67431-, 69001-		Bushing	65 mm		KOM-707-52-90400	30.52
LIFT (LONG TRACK)	707-02-00220	67001-67430		P-U-14	65 mm	95 mm	KOM-707-98-28640	202.68
	707-02-00220	67001-67430		Bushing	65 mm		KOM-707-52-10660	31.73
	707-02-0380	67431-, 69001-		P-UB-14	65 mm	95 mm	KOM-707-99-25880	223.69
	707-02-0380	67431-, 69001-		Bushing	65 mm		KOM-707-52-90400	30.52
RIPPER	707-01-0C850	67001-67319		P-U-14	70 mm	140 mm	KOM-707-98-52220	158.69
	707-01-0C850	67001-67319		Bushing	70 mm		KOM-707-52-10700	31.69
	707-01-0C851	67320-, 69001-		P-UB-14	70 mm	140 mm	KOM-707-99-52170	160.77
TILT/PITCH	707-01-0C300	67001-67430		P-U-14	70 mm	140 mm	KOM-707-98-52210	147.56
	707-01-0C301	67431-, 69001-		P-UB-14	70 mm	140 mm	KOM-707-99-52160	149.69
TRIMMING LH	707-63-0F230	67001-, 69001-		P-UB-14	55 mm	120 mm	KOM-707-99-40120	185.40
TRIMMING RH	707-63-0F240	67001-, 69001-		P-UB-14	55 mm	120 mm	KOM-707-99-40120	185.40
MODEL D65EX-15E0								
LIFT	707-02-00271	69001-		P-UB-14	65 mm	95 mm	KOM-707-99-25880	223.69
	707-02-00271	69001-		Bushing	65 mm		KOM-707-52-90400	30.52
LIFT (LONG TRACK)	707-02-00380	69001-		P-UB-14	65 mm	95 mm	KOM-707-99-25880	223.69
	707-02-00380	69001-		Bushing	65 mm		KOM-707-52-90400	30.52
LIFT (TRIMMING)	707-02-00400	69001-		P-UB-14	65 mm	95 mm	KOM-707-99-25880	223.69
	707-02-00400	69001-		Bushing	65 mm		KOM-707-52-90400	30.52

LT - Large size tire L/S - Loading Shovel SLF - Super Long Front B/H - Backhoe HD - Heavy Duty L BUCKET - Large Bucket
 K-LINK - K-type Linkage Blade LB HI-LIFT - High Lift Arm w Large Bucket HI-LIFT - High Lift Arm S HI-LIFT - Super High Lift Arm
 SU - Semi-U Dozer PAT - Power Angle Power Tilt MP - Mulit-Purpose

Replacement Kits For

KOMATSU

Crawler Dozers								
APPLICATION	CYL #	SERIAL #	Misc	CODE	ROD	BORE	KIT #	List \$
MODEL D65EX-15E0								
LIFT (TRIMMING)	707-02-00410	69001-		P-UB-14	65 mm	95 mm	KOM-707-99-25880	223.69
	707-02-00410	69001-		Bushing	65 mm		KOM-707-52-90400	30.52
RIPPER	707-01-0C851	69001-		P-UB-14	70 mm	140 mm	KOM-707-99-52170	160.77
	707-01-0C851	69001-		Bushing	70 mm		KOM-707-52-90470	32.40
TILT/PITCH	707-01-0C301	69001-		P-UB-14	70 mm	140 mm	KOM-707-99-52160	149.69
	707-01-0C301	69001-		Bushing	70 mm		KOM-707-52-90470	32.40
TRIMMING	707-63-0F230	69001-		P-UB-14	55 mm	120 mm	KOM-707-99-40120	185.40
	707-63-0F230	69001-		Bushing	55 mm		KOM-707-52-90300	26.00
	707-63-0F240	69001-		P-UB-14	55 mm	120 mm	KOM-707-99-40120	185.40
	707-63-0F240	69001-		Bushing	55 mm		KOM-707-52-90300	26.00
MODEL D65EX-16								
BLADE ANGLE	707-00-0J361	80001-80742		P-UB-14	65 mm	110 mm	KOM-707-99-36680	257.89
	707-00-0J361	80001-80742		Bushing	65 mm		KOM-707-52-90401	30.52
	707-E0-00041	80743-		P-UB-14	65 mm	110 mm	KOM-707-99-36720	264.67
	707-E0-00041	80743-		Bushing	65 mm		KOM-707-52-90401	30.52
BLADE LIFT LH	707-02-00930	80001-80928		P-UB-14	60 mm	85 mm	KOM-707-99-27110	247.73
	707-02-00930	80001-80928		Bushing	60 mm		KOM-707-52-90351	26.22
	707-02-00970	80001-80928		P-UB-14	60 mm	90 mm	KOM-707-99-27530	239.78
	707-02-00970	80001-80928		Bushing	60 mm		KOM-707-52-90351	26.22
	707-E2-00050	80929-		P-UB-14	60 mm	85 mm	KOM-707-99-27310	243.26
	707-E2-00050	80929-		Bushing	60 mm		KOM-707-52-90351	26.22
	707-E2-00090	80929-		P-UB-14	60 mm	90 mm	KOM-707-99-26730	232.24
	707-E2-00090	80929-		Bushing	60 mm		KOM-707-52-90351	26.22
BLADE LIFT RH	707-02-00180	80001-		Bushing	60 mm		KOM-707-52-90351	26.22
	707-02-00940	80001-80928		P-UB-14	60 mm	85 mm	KOM-707-99-27110	247.73
	707-02-00940	80001-80928		Bushing	60 mm		KOM-707-52-90351	26.22
	707-02-00980	80001-80928		P-UB-14	60 mm	90 mm	KOM-707-99-27530	239.78
	707-02-00980	80001-80928		Bushing	60 mm		KOM-707-52-90351	26.22
	707-E2-00060	80929-		P-UB-14	60 mm	85 mm	KOM-707-99-27310	243.26
	707-E2-00060	80929-		Bushing	60 mm		KOM-707-52-90351	26.22
	707-E2-00100	80929-		P-UB-14	60 mm	90 mm	KOM-707-99-26730	232.24
BLADE TILT	707-E2-00100	80929-		Bushing	60 mm		KOM-707-52-90351	26.22
	707-E2-00190	80001-		Bushing	60 mm		KOM-707-52-90351	26.22
	707-00-0H990	80001-80928		P-UB-14	70 mm	130 mm	KOM-707-99-43730	292.76
	707-00-0H990	80001-80928		Bushing	70 mm		KOM-707-52-90461	14.40
	707-04-00270	80001-80928		P-UB-14	70 mm	125 mm	KOM-707-99-43320	264.85
	707-04-00270	80001-80928		Bushing	70 mm		KOM-707-52-90451	34.45
	707-E0-00030	80929-		P-UB-14	70 mm	130 mm	KOM-707-99-43740	311.25
	707-E0-00030	80929-		Bushing	70 mm		KOM-707-52-90461	14.40
PITCH	707-E4-00020	80929-		P-UB-14	70 mm	125 mm	KOM-707-99-43390	308.01
	707-E4-00020	80929-		Bushing	70 mm		KOM-707-52-90451	34.45
	707-E4-00120	80001-		Bushing	60 mm		KOM-707-52-90351	26.22
	707-04-00270	80001-80928		P-UB-14	70 mm	125 mm	KOM-707-99-43320	264.85
	707-04-00270	80001-80928		Bushing	70 mm		KOM-707-52-90451	34.45
	707-E4-00020	80929-		P-UB-14	70 mm	125 mm	KOM-707-99-43390	308.01
	707-E4-00020	80929-		Bushing	70 mm		KOM-707-52-90451	34.45
	707-E4-00020	80929-		Bushing	70 mm		KOM-707-52-90451	34.45
RIPPER	707-E0-00050	80001-		P-UB-14	70 mm	125 mm	KOM-707-99-42300	342.24
	707-E0-00050	80001-		Bushing	70 mm		KOM-707-52-90451	34.45
	707-E0-00050	80929-		P-UB-14	70 mm	125 mm	KOM-707-99-42300	342.24
	707-E0-00050	80929-		Bushing	70 mm		KOM-707-52-90451	34.45
	707-E0-00400	80001-		P-UB-14	70 mm	125 mm	KOM-707-99-42310	447.50
	707-E0-00400	80001-		Bushing	70 mm		KOM-707-52-90451	34.45

LT - Large size tire L/S - Loading Shovel SLF - Super Long Front B/H - Backhoe HD - Heavy Duty L BUCKET - Large Bucket
 K-LINK - K-type Linkage Blade LB HI-LIFT - High Lift Arm w Large Bucket HI-LIFT - High Lift Arm S HI-LIFT - Super High Lift Arm
 SU - Semi-U Dozer PAT - Power Angle Power Tilt MP - Mult-Purpose

FORMERLY LISTED REPAIR PARTS ARE AVAILABLE ONLINE AT WWW.HERCULESUS.COM
 OR BY CONTACTING YOUR REGIONAL HERCULES SALES TEAM.

Replacement Kits For

KOMATSU

Crawler Dozers

APPLICATION	CYL #	SERIAL #	Misc	CODE	ROD	BORE	KIT #	List \$
MODEL D65EX-17								
ANGLE	707-E0-00041	1001-		P-UB-14	65 mm	110 mm	KOM-707-99-36720	264.67
LIFT LH	707-E2-00050	1001-		P-UB-14	60 mm	85 mm	KOM-707-99-27310	243.26
LIFT LH (PAT)	707-E2-00090	1001-		P-UB-14	60 mm	90 mm	KOM-707-99-26730	232.24
LIFT RH	707-E2-00060	1001-		P-UB-14	60 mm	85 mm	KOM-707-99-27310	243.26
LIFT RH (PAT)	707-E2-00100	1001-		P-UB-14	60 mm	90 mm	KOM-707-99-26730	232.24
PITCH	707-E4-00020	1001-		P-UB-14	70 mm	125 mm	KOM-707-99-43390	308.01
RIPPER	707-E0-00050	1001-		P-UB-14	70 mm	125 mm	KOM-707-99-42300	342.24
TILT	707-E4-00020	1001-		P-UB-14	70 mm	125 mm	KOM-707-99-43390	308.01
TILT (PAT)	707-E0-00030	1001-		P-UB-14	70 mm	130 mm	KOM-707-99-43740	311.25
MODEL D65EX-18								
ANGLE	707-E0-00041	90001-91007		P-UB-14	65 mm	110 mm	KOM-707-99-36720	264.67
	707-E0-00042	91008-		P-UB-14	65 mm	110 mm	KOM-707-99-36720	264.67
BLADE LIFT LH	707-G2-00370	90001-		P-UB-14	60 mm	90 mm	KOM-721-98-00190	96.16
BLADE LIFT RH	707-G2-00380	90001-		P-UB-14	60 mm	90 mm	KOM-721-98-00190	96.16
LIFT LH	707-G2-00390	90001-91499		P-UB-14	60 mm	85 mm	KOM-707-99-24940	164.68
	707-G2-00391	91500-92739		P-UB-14	60 mm	85 mm	KOM-707-99-24940	164.68
	707-G2-00391	92740-		P-UB-14	65 mm	90 mm	KOM-721-98-05910	104.93
LIFT RH	707-G2-00400	90001-91309		P-UB-14	60 mm	85 mm	KOM-707-99-24940	164.68
	707-G2-00400	91310-91499		P-UB-14	60 mm	85 mm	KOM-707-99-24940	164.68
	707-G2-00401	91500-92739		P-UB-14	60 mm	85 mm	KOM-707-99-24940	164.68
	707-G2-00402	92740-		P-UB-14	65 mm	90 mm	KOM-721-98-05910	104.93
RIPPER LIFT	707-E0-00050	90001-90412		P-UB-14	70 mm	125 mm	KOM-707-99-42300	342.24
	707-E0-X0050	90413-		P-UB-14	70 mm	125 mm	KOM-707-99-42300	342.24
TILT	707-E0-00030	90001-		P-UB-14	70 mm	130 mm	KOM-707-99-43740	311.25
	707-E4-00020	90001-		P-UB-14	70 mm	125 mm	KOM-707-99-43390	308.01
	707-G4-00340	90001-		P-UB-14	70 mm	125 mm	KOM-707-99-43390	308.01
MODEL D65EXi-18								
LIFT LH	707-G7-00350	90023-91606		P-UB-14	60 mm	85 mm	KOM-721-98-01290	165.28
	707-G7-00351	91607-		P-UB-14	60 mm	85 mm	KOM-721-98-01290	165.28
LIFT RH	707-G7-00360	90023-91606		P-UB-14	60 mm	85 mm	KOM-721-98-01290	165.28
	707-G7-00361	91607-		P-UB-14	60 mm	85 mm	KOM-721-98-01290	165.28
PITCH	707-G4-00340	90023-		P-UB-14	70 mm	125 mm	KOM-707-99-43390	308.01
RIPPER LIFT	707-E0-00050	90023-		P-UB-14	70 mm	125 mm	KOM-707-99-42300	342.24
TILT	707-E4-00020	90023-		P-UB-14	70 mm	125 mm	KOM-707-99-43390	308.01
MODEL D65P-12								
LIFT	14X-63-01013	60001-		P-U-14	65 mm	95 mm	KOM-707-98-28600	334.27
TILT	14X-63-01032	60001-		P-U-14	70 mm	140 mm	KOM-707-98-52140	324.56
MODEL D65PX-12								
LIFT	14Y-63-01013	60001-60508		P-U-14	65 mm	95 mm	KOM-707-98-28600	334.27
	14Y-63-01013	60001-60508		Bushing	65 mm		KOM-707-52-10660	31.73
	14Y-63-01014	60509-		P-U-14	65 mm	95 mm	KOM-707-98-28600	334.27
	14Y-63-01014	60509-		Bushing	65 mm		KOM-707-52-10660	31.73
PITCH	707-01-0C301	65582-		P-UB-14	70 mm	140 mm	KOM-707-99-52160	149.69
TILT	707-01-0C300	65582-65590		P-U-14	70 mm	140 mm	KOM-707-98-52210	147.56
	707-01-0C301	65591-		P-UB-14	70 mm	140 mm	KOM-707-99-52160	149.69
TILT/PITCH	14Y-63-01032	60476-65581		P-U-14	70 mm	140 mm	KOM-707-98-52140	324.56
	14Y-63-01032	60476-65581		Bushing	70 mm		KOM-707-52-10700	31.69
	14Y-63-01033	60001-60475		P-U-14	70 mm	140 mm	KOM-707-98-52140	324.56
	14Y-63-01033	60001-60475		Bushing	70 mm		KOM-707-52-10700	31.69
MODEL D65PX-15								
LIFT	707-02-00220	67001-67401		P-U-14	65 mm	95 mm	KOM-707-98-28640	202.68
	707-02-00220	67001-67401		Bushing	65 mm		KOM-707-52-10660	31.73
	707-02-00380	67402-, 69001-		P-UB-14	65 mm	95 mm	KOM-707-99-25880	223.69
	707-02-00380	67402-, 69001-		Bushing	65 mm		KOM-707-52-90400	30.52
TILT/PITCH	707-01-0C300	67001-67401		P-U-14	70 mm	140 mm	KOM-707-98-52210	147.56

LT - Large size tire L/S - Loading Shovel SLF - Super Long Front B/H - Backhoe HD - Heavy Duty L BUCKET - Large Bucket
 K-LINK - K-type Linkage Blade LB HI-LIFT - High Lift Arm w Large Bucket HI-LIFT - High Lift Arm S HI-LIFT - Super High Lift Arm
 SU - Semi-U Dozer PAT - Power Angle Power Tilt MP - Multit-Purpose

KOMATSU

Replacement Kits For

Crawler Dozers									
APPLICATION	CYL #	SERIAL #	Misc	CODE	ROD	BORE	KIT #	List \$	
MODEL D65PX-15									
TILT/PITCH	707-01-0C301	67402-, 69001-		P-UB-14	70 mm	140 mm	KOM-707-99-52160	149.69	
	707-01-0C301	67402-, 69001-		Bushing	70 mm		KOM-707-52-90470	32.40	
MODEL D65PX-15E0									
LIFT	707-02-X0380	69001-		P-UB-14	65 mm	95 mm	KOM-707-99-25880	223.69	
	707-02-X0380	69001-		Bushing	65 mm		KOM-707-52-90400	30.52	
	707-02-X0390	69001-		P-UB-14	65 mm	95 mm	KOM-707-99-25880	223.69	
	707-02-X0390	69001-		Bushing	65 mm		KOM-707-52-90400	30.52	
TILT/PITCH	707-01-0C301	69001-		P-UB-14	70 mm	140 mm	KOM-707-99-52160	149.69	
	707-01-0C301	69001-		Bushing	70 mm		KOM-707-52-90470	32.40	
MODEL D65PX-16									
BLADE ANGLE	707-00-0J361	80001-		Bushing	65 mm		KOM-707-52-90401	30.52	
	707-00-0J361	80001-80742		P-UB-14	65 mm	110 mm	KOM-707-99-36680	257.89	
	707-E0-00041	80001-		Bushing	65 mm		KOM-707-52-90401	30.52	
	707-E0-00041	80743-		P-UB-14	65 mm	110 mm	KOM-707-99-36720	264.67	
BLADE LIFT LH	707-02-00950	80001-		P-UB-14	60 mm	85 mm	KOM-707-99-27120	299.65	
	707-02-00950	80001-		Bushing	60 mm		KOM-707-52-90351	26.22	
	707-02-00970	80001-		Bushing	60 mm		KOM-707-52-90351	26.22	
	707-02-00970	80001-80928		P-UB-14	60 mm	90 mm	KOM-707-99-27530	239.78	
	707-E2-00090	80001-		Bushing	60 mm		KOM-707-52-90351	26.22	
	707-E2-00090	80929-		P-UB-14	60 mm	90 mm	KOM-707-99-26730	232.24	
BLADE LIFT RH	707-02-00960	80001-		P-UB-14	60 mm	85 mm	KOM-707-99-27120	299.65	
	707-02-00960	80001-		Bushing	60 mm		KOM-707-52-90351	26.22	
	707-02-00980	80001-		Bushing	60 mm		KOM-707-52-90351	26.22	
	707-02-00980	80001-80928		P-UB-14	60 mm	90 mm	KOM-707-99-27530	239.78	
	707-E2-00100	80001-		Bushing	60 mm		KOM-707-52-90351	26.22	
	707-E2-00100	80929-		P-UB-14	60 mm	90 mm	KOM-707-99-26730	232.24	
BLADE TILT	707-00-0H990	80001-		Bushing	70 mm		KOM-707-52-90461	14.40	
	707-00-0H990	80001-80928		P-UB-14	70 mm	130 mm	KOM-707-99-43730	292.76	
	707-04-00270	80001-		Bushing	70 mm		KOM-707-52-90451	34.45	
	707-04-00270	80001-80928		P-UB-14	70 mm	125 mm	KOM-707-99-43320	264.85	
	707-E0-00030	80001-		Bushing	70 mm		KOM-707-52-90461	14.40	
	707-E0-00030	80929-		P-UB-14	70 mm	130 mm	KOM-707-99-43740	311.25	
	707-E4-00020	80001-		Bushing	70 mm		KOM-707-52-90451	34.45	
	707-E4-00020	80929-		P-UB-14	70 mm	125 mm	KOM-707-99-43390	308.01	
	PITCH	707-04-00270	80001-80928		P-UB-14	70 mm	125 mm	KOM-707-99-43320	264.85
		707-04-00270	80001-80928		Bushing	70 mm		KOM-707-52-90451	34.45
707-E4-00020		80001-		Bushing	70 mm		KOM-707-52-90451	34.45	
707-E4-00020		80929-		P-UB-14	70 mm	125 mm	KOM-707-99-43390	308.01	
MODEL D65PX-17									
ANGLE	707-E0-00041	1001-		P-UB-14	65 mm	110 mm	KOM-707-99-36720	264.67	
LIFT LH	707-E2-00070	1001-		P-UB-14	60 mm	85 mm	KOM-707-99-27320	177.51	
LIFT LH (PAT)	707-E2-00090	1001-		P-UB-14	60 mm	90 mm	KOM-707-99-26730	232.24	
LIFT RH	707-E2-00080	1001-		P-UB-14	60 mm	85 mm	KOM-707-99-27320	177.51	
LIFT RH (PAT)	707-E2-00100	1001-		P-UB-14	60 mm	90 mm	KOM-707-99-26730	232.24	
PITCH	707-E4-00020	1001-		P-UB-14	70 mm	125 mm	KOM-707-99-43390	308.01	
TILT	707-E4-00020	1001-		P-UB-14	70 mm	125 mm	KOM-707-99-43390	308.01	
TILT (PAT)	707-E0-00030	1001-		P-UB-14	70 mm	130 mm	KOM-707-99-43740	311.25	
MODEL D65PX-18									
BLADE ANGLE	707-E0-00041	90001-91003		P-UB-14	65 mm	110 mm	KOM-707-99-36720	264.67	
	707-E0-00042	91004-		P-UB-14	65 mm	110 mm	KOM-707-99-36720	264.67	
BLADE LIFT LH	707-G2-00410	90001-91522		P-UB-14	60 mm	85 mm	KOM-707-99-27310	243.26	
	707-G2-00411	91523-92722		P-UB-14	60 mm	85 mm	KOM-707-99-27310	243.26	
	707-G2-00412	92723-		P-UB-14	65 mm	90 mm	KOM-721-98-05900	104.89	
BLADE LIFT RH	707-G2-00420	90001-91522		P-UB-14	60 mm	85 mm	KOM-707-99-27310	243.26	
	707-G2-00421	91523-92722		P-UB-14	60 mm	85 mm	KOM-707-99-27310	243.26	

LT - Large size tire L/S - Loading Shovel SLF - Super Long Front B/H - Backhoe HD - Heavy Duty L BUCKET - Large Bucket
 K-LINK - K-type Linkage Blade LB HI-LIFT - High Lift Arm w Large Bucket HI-LIFT - High Lift Arm S HI-LIFT - Super High Lift Arm
 SU - Semi-U Dozer PAT - Power Angle Power Tilt MP - Multi-Purpose

FORMERLY LISTED REPAIR PARTS ARE AVAILABLE ONLINE AT WWW.HERCULESUS.COM
OR BY CONTACTING YOUR REGIONAL HERCULES SALES TEAM.

KOMATSU

Replacement Kits For

Crawler Dozers								
APPLICATION	CYL #	SERIAL #	Misc	CODE	ROD	BORE	KIT #	List \$
MODEL D65PX-18								
BLADE LIFT RH	707-G2-00422	92723-		P-UB-14	65 mm	90 mm	KOM-721-98-05900	104.89
BLADE TILT	707-E0-00030	90001-		P-UB-14	70 mm	130 mm	KOM-707-99-43740	311.25
LIFT LH	707-G2-00370	90001-		P-UB-14	60 mm	90 mm	KOM-721-98-00190	96.16
LIFT RH	707-G2-00380	90001-		P-UB-14	60 mm	90 mm	KOM-721-98-00190	96.16
TILT	707-E4-00020	90001-		P-UB-14	70 mm	125 mm	KOM-707-99-43390	308.01
TRACK ADJUSTER		90001-	kit w/ valve	TRK ADJ			KOM-SK100125	360.59
		90001-		TRK ADJ			KOM-SK100141	129.04
MODEL D65PXi-18								
BLADE ANGLE LH	707-G7-00310	90023-91003		P-UB-14	65 mm	110 mm	KOM-721-98-03280	100.58
	707-G7-00310	90023-91003		P-UB-14	65 mm	110 mm	KOM-721-98-01160	100.58
	707-G7-00311	91004-		P-UB-14	65 mm	110 mm	KOM-721-98-03280	100.58
BLADE ANGLE RH	707-G0-01280	90023-91003		P-UB-14	65 mm	110 mm	KOM-707-99-36720	264.67
	707-G0-01281	91004-		P-UB-14	65 mm	110 mm	KOM-707-99-36720	264.67
BLADE LIFT LH	707-G7-00340	90023-		P-UB-14	60 mm	90 mm	KOM-721-98-01180	80.31
BLADE LIFT RH	707-G2-00380	90023-		P-UB-14	60 mm	90 mm	KOM-721-98-00190	96.16
LIFT LH	707-G7-00370	90023-91618		P-UB-14	60 mm	85 mm	KOM-721-98-01290	165.28
	707-G7-00371	91619-		P-UB-14	60 mm	85 mm	KOM-721-98-01290	165.28
LIFT RH	707-G7-00380	90023-91618		P-UB-14	60 mm	85 mm	KOM-721-98-01290	165.28
	707-G7-00381	91619-		P-UB-14	60 mm	85 mm	KOM-721-98-01290	165.28
TILT	707-E4-00020	90023-		P-UB-14	70 mm	125 mm	KOM-707-99-43390	308.01
	707-G7-00320	90023-		P-UB-14	70 mm	130 mm	KOM-721-98-01190	175.33
MODEL D65WX-17								
ANGLE	707-E0-00041	1001-		P-UB-14	65 mm	110 mm	KOM-707-99-36720	264.67
LIFT LH	707-E2-00050	1001-		P-UB-14	60 mm	85 mm	KOM-707-99-27310	243.26
LIFT LH (PAT)	707-E2-00090	1001-		P-UB-14	60 mm	90 mm	KOM-707-99-26730	232.24
LIFT RH	707-E2-00060	1001-		P-UB-14	60 mm	85 mm	KOM-707-99-27310	243.26
LIFT RH (PAT)	707-E2-00100	1001-		P-UB-14	60 mm	90 mm	KOM-707-99-26730	232.24
PITCH	707-E4-00020	1001-		P-UB-14	70 mm	125 mm	KOM-707-99-43390	308.01
RIPPER	707-E0-00050	1001-		P-UB-14	70 mm	125 mm	KOM-707-99-42300	342.24
TILT	707-E4-00020	1001-		P-UB-14	70 mm	125 mm	KOM-707-99-43390	308.01
TILT (PAT)	707-E0-00030	1001-		P-UB-14	70 mm	130 mm	KOM-707-99-43740	311.25
MODEL D65WX-18								
BLADE LIFT LH	707-G2-00390	90001-91504		P-UB-14	60 mm	85 mm	KOM-707-99-24940	164.68
	707-G2-00391	91505-92739		P-UB-14	60 mm	85 mm	KOM-707-99-24940	164.68
	707-G2-00392	92740-		P-UB-14	65 mm	90 mm	KOM-721-98-05910	104.93
BLADE LIFT RH	707-G2-00400	90001-91504		P-UB-14	60 mm	85 mm	KOM-707-99-24940	164.68
	707-G2-00401	91505-92739		P-UB-14	60 mm	85 mm	KOM-707-99-24940	164.68
	707-G2-00402	92740-		P-UB-14	65 mm	90 mm	KOM-721-98-05910	104.93
BLADE TILT	707-E0-00030	90001-		P-UB-14	70 mm	130 mm	KOM-707-99-43740	311.25
DOZER BLADE ANGLE	707-E0-00041	90001-91010		P-UB-14	65 mm	110 mm	KOM-707-99-36720	264.67
	707-E0-00042	91011-		P-UB-14	65 mm	110 mm	KOM-707-99-36720	264.67
DOZER BLADE PITCH	707-G4-00340	90001-		P-UB-14	70 mm	125 mm	KOM-707-99-43390	308.01
LIFT LH	707-G2-00370	90001-		P-UB-14	60 mm	90 mm	KOM-721-98-00190	96.16
LIFT RH	707-G2-00380	90001-		P-UB-14	60 mm	90 mm	KOM-721-98-00190	96.16
RIPPER LIFT	707-E0-00050	90001-90412		P-UB-14	70 mm	125 mm	KOM-707-99-42300	342.24
	707-E0-X0050	90413-		P-UB-14	70 mm	125 mm	KOM-707-99-42300	342.24
TILT	707-E4-00020	90001-		P-UB-14	70 mm	125 mm	KOM-707-99-43390	308.01
MODEL D75S-5								
BUCKET CLAM (MP)	145-63-59100	15001-		P-U-14	60 mm	140 mm	KOM-707-98-50100	337.38
	145-63-59200	15001-		P-U-14	60 mm	140 mm	KOM-707-98-50100	337.38
DUMP	145-63-32602	15001-		P-U-14	70 mm	150 mm	KOM-707-98-52410	370.82
	145-63-32702	15001-		P-U-14	70 mm	150 mm	KOM-707-98-52410	370.82
DUMP (SCORIA)	145-63-33600	15001-		P-U-5	70 mm	150 mm	KOM-707-98-52420	428.07
	145-63-33700	15001-		P-U-5	70 mm	150 mm	KOM-707-98-52420	428.07
LIFT	145-63-23301	15001-		P-U-14	90 mm	180 mm	KOM-707-98-64420	347.02

LT - Large size tire L/S - Loading Shovel SLF - Super Long Front B/H - Backhoe HD - Heavy Duty L BUCKET - Large Bucket

K-LINK - K-type Linkage Blade LB HI-LIFT - High Lift Arm w Large Bucket HI-LIFT - High Lift Arm S HI-LIFT - Super High Lift Arm

SU - Semi-U Dozer PAT - Power Angle Power Tilt MP - Mult-Purpose

KOMATSU

Replacement Kits For

Crawler Dozers								
APPLICATION	CYL #	SERIAL #	Misc	CODE	ROD	BORE	KIT #	List \$
MODEL D75S-5								
LIFT	145-63-23401	15001-		P-U-14	90 mm	180 mm	KOM-707-98-64420	347.02
LIFT (SCORIA)	145-63-23800	15001-		P-U-14	90 mm	180 mm	KOM-707-98-64450	330.99
	145-63-23900	15001-		P-U-14	90 mm	180 mm	KOM-707-98-64450	330.99
SIDE DUMP	145-63-97101	15001-		P-U-5	60 mm	110 mm	KOM-707-99-36410	268.98
MODEL D85A-21								
BLADE LIFT	154-63-02010	36534-		P-U-14	70 mm	110 mm	KOM-707-98-37580	111.10
	154-63-02010	36534-		Bushing	70 mm		KOM-07177-07030	34.45
BLADE LIFT (A)	154-63-02010	35001-		P-U-14	70 mm	110 mm	KOM-707-98-37580	111.10
BLADE LIFT (E)	154-63-02050	35001-		P-U-14	70 mm	110 mm	KOM-707-98-37580	111.10
MODEL D85A-21, D85E-21								
LIFT	154-63-02010	35001-		P-U-14	70 mm	110 mm	KOM-707-98-37580	111.10
MAP TILT	154-63-02120	35001-		P-U-14	70 mm	140 mm	KOM-707-98-52110	440.82
	154-63-02130	35001-		P-U-14	70 mm	140 mm	KOM-707-98-52110	440.82
RIPPER	154-63-02081	35001-		P-U-14	70 mm	140 mm	KOM-707-98-52110	440.82
TILT	154-63-02070	35001-		P-U-14	80 mm	160 mm	KOM-707-98-62120	339.09
MODEL D85E-21								
BLADE LIFT (A)	154-63-02010	35001-		P-U-14	70 mm	110 mm	KOM-707-98-37580	111.10
BLADE LIFT (E)	154-63-02050	35001-		P-U-14	70 mm	110 mm	KOM-707-98-37580	111.10
MODEL D85P-21								
TILT	154-63-02070	3001-		P-U-14	80 mm	160 mm	KOM-707-98-62120	339.09
MODEL D95S-2								
DUMP	155-63-32104	2001-2129		P-U-5	75 mm	160 mm	KOM-707-98-61110	455.12
	155-63-32204	2001-2129		P-U-5	75 mm	160 mm	KOM-707-98-61110	455.12
LIFT	155-63-22501	2112-		P-U-14	90 mm	180 mm	KOM-707-98-64450	330.99
	155-63-22601	2112-		P-U-14	90 mm	180 mm	KOM-707-98-64450	330.99
MODEL D155A-3, D155AX-3								
DUAL TILT	17A-63-02190	60001-		P-U-14	90 mm	200 mm	KOM-707-98-71020	581.67
	17A-63-02190	60001-		Bushing	90 mm		KOM-707-52-10910	62.58
LIFT	17A-63-01210	60001-		P-U-14	75 mm	120 mm	KOM-707-98-44200	605.65
	17A-63-01210	60001-		Bushing	75 mm		KOM-707-52-10750	43.54
RIPPER LIFT	17A-63-02140	60001-		P-U-14	80 mm	160 mm	KOM-707-98-62131	794.54
RIPPER TILT	17A-63-02160	60001-		P-U-14	80 mm	160 mm	KOM-707-98-62131	794.54
TILT	17A-63-02130	60001-		P-U-14	90 mm	180 mm	KOM-707-98-64410	343.13
	17A-63-02130	60001-		Bushing	90 mm		KOM-707-52-10910	62.58
MODEL D155AX-5								
DUAL TILT	17A-63-02190	70001-		P-U-14	90 mm	200 mm	KOM-707-98-71020	581.67
	17A-63-02190	70001-		Bushing	90 mm		KOM-707-52-10910	62.58
LIFT	17A-63-02110	70001-		P-U-14	75 mm	120 mm	KOM-707-98-44200	605.65
	17A-63-02110	70001-		Bushing	75 mm		KOM-707-52-10750	43.54
PIN PULLER	15A-63-02080	70001-		P-U-10	30 mm	60 mm	KOM-707-98-11070	141.70
RIPPER LIFT	17A-63-02140	70001-		P-U-14	80 mm	160 mm	KOM-707-98-62131	794.54
RIPPER TILT	17A-63-02160	70001-		P-U-14	80 mm	160 mm	KOM-707-98-62131	794.54
TILT	17A-63-02110	70001-		P-U-14	90 mm	180 mm	KOM-707-98-64410	343.13
MODEL D155AX-6								
BLADE LIFT LH	707-02-00660	80001-		P-UB-14	75 mm	110 mm	KOM-707-99-38740	121.56
	707-02-00660	80001-		Bushing	75 mm		KOM-707-52-90500	38.12
BLADE LIFT RH	707-02-00670	80001-		P-UB-14	75 mm	110 mm	KOM-707-99-38740	121.56
	707-02-00670	80001-		Bushing	75 mm		KOM-707-52-90500	38.12
BLADE TILT	707-04-00190	80001-		P-UB-14	90 mm	160 mm	KOM-707-99-64230	241.93
	707-04-00190	80001-		Bushing	90 mm		KOM-707-52-90680	51.59
	707-04-00200	80001-		P-UB-14	90 mm	160 mm	KOM-707-99-64230	241.93
	707-04-00200	80001-		Bushing	90 mm		KOM-707-52-90680	51.59
	707-04-00220	80001-		P-UB-14	90 mm	160 mm	KOM-707-99-64230	241.93
	707-04-00220	80001-		Bushing	90 mm		KOM-707-52-90680	51.59
	707-04-00240	80001-		P-UB-14	90 mm	160 mm	KOM-707-99-64250	241.93
	707-04-00240	80001-		Bushing	90 mm		KOM-707-52-90680	51.59

LT - Large size tire L/S - Loading Shovel SLF - Super Long Front B/H - Backhoe HD - Heavy Duty L BUCKET - Large Bucket
K-LINK - K-type Linkage Blade LB HI-LIFT - High Lift Arm w Large Bucket HI-LIFT - High Lift Arm S HI-LIFT - Super High Lift Arm
SU - Semi-U Dozer PAT - Power Angle Power Tilt MP - Multi-Purpose

FORMERLY LISTED REPAIR PARTS ARE AVAILABLE ONLINE AT WWW.HERCULESUS.COM
OR BY CONTACTING YOUR REGIONAL HERCULES SALES TEAM.

KOMATSU

Replacement Kits For

Crawler Dozers								
APPLICATION	CYL #	SERIAL #	Misc	CODE	ROD	BORE	KIT #	List \$
MODEL D155AX-6								
PIN PULLER	707-04-00210	80001-		P-U-3	30 mm	60 mm	KOM-707-98-11350	100.04
	707-04-00210	80001-		Bushing	30 mm		KOM-07177-03025	10.41
RIPPER LIFT	707-01-0K410	80001-		P-UB-14	100 mm	180 mm	KOM-707-99-66660	240.46
	707-01-0K410	80001-		Bushing	100 mm		KOM-707-52-90780	58.59
RIPPER TILT	707-01-0K420	80001-		P-UB-14	110 mm	200 mm	KOM-707-99-74200	401.77
	707-01-0K420	80001-		Bushing	110 mm		KOM-707-52-90850	64.44
TRACK ADJUSTER		81028-81701	kit w/ valve	TRK ADJ			KOM-SK100126	583.63
		81028-81701		TRK ADJ			KOM-SK100142	225.64
MODEL D155AX-7								
TRACK ADJUSTER		90001-		TRK ADJ			KOM-SK100142	225.64
		90001-	kit w/ valve	TRK ADJ			KOM-SK100126	583.63
MODEL D155AX-8								
TRACK ADJUSTER		100001-	kit w/ valve	TRK ADJ			KOM-SK100149	212.63
		100001-		TRK ADJ			KOM-SK100142	225.64
MODEL D275A-2								
BLADE LIFT	17M-63-01011	10001-		P-U-14	80 mm	130 mm	KOM-707-98-45620	466.60
BLADE TILT	17M-63-01031	10001-		P-U-14	100 mm	200 mm	KOM-707-98-73020	461.78
DUAL TILT	17M-63-01081	10001-		P-U-14	100 mm	200 mm	KOM-707-98-73020	461.78
	17M-63-01091	10001-		P-U-14	100 mm	225 mm	KOM-707-98-73400	512.42
PIN PULLER	175-63-02080	10001-		P-U-10	30 mm	60 mm	KOM-707-98-11020	98.78
RIPPER LIFT	17M-63-01041	10001-		P-U-14	100 mm	200 mm	KOM-707-98-73010	504.30
RIPPER TILT	17M-63-01061	10001-		P-U-14	90 mm	180 mm	KOM-707-98-64400	193.17
MODEL D275A-5								
BLADE LIFT	707-02-00200	25001-		P-UB-14	80 mm	120 mm	KOM-707-99-45310	191.05
BLADE TILT	707-01-0C160	25001-		P-UB-14	100 mm	180 mm	KOM-707-99-66600	265.17
RIPPER LIFT	707-01-0C170	25001-		P-UB-14	100 mm	180 mm	KOM-707-99-66610	235.61
	707-01-0C180	25001-		P-UB-14	100 mm	180 mm	KOM-707-99-66610	235.61
RIPPER TILT	707-01-0C190	25001-		P-UB-14	90 mm	160 mm	KOM-707-99-64200	258.68
	707-01-0C200	25001-		P-UB-14	90 mm	160 mm	KOM-707-99-64200	258.68
MODEL D375A-2								
LIFT	195-63-01420	16001-		P-U-14	90 mm	150 mm	KOM-707-98-56610	359.07
PIN PULLER	175-63-02080	16001-		P-U-10	30 mm	60 mm	KOM-707-98-11020	98.78
RIPPER LIFT	195-63-01440	16001-		P-U-14	110 mm	225 mm	KOM-707-98-74400	940.23
	195-63-01450	16001-		P-U-14	110 mm	225 mm	KOM-707-98-74400	940.23
RIPPER TILT	195-63-01501	16001-		P-U-14	110 mm	200 mm	KOM-707-98-74100	681.29
	195-63-01601	16001-		P-U-14	110 mm	200 mm	KOM-707-98-74100	681.29
MODEL D375A-3								
LIFT	195-63-01410	17001-17607		P-U-14	90 mm	150 mm	KOM-707-98-56610	359.07
	195-63-01410	17001-17607		Bushing	90 mm		KOM-07177-09035	55.30
	195-63-01413	17608-		P-UB-14	90 mm	150 mm	KOM-707-99-56510	248.37
	195-63-01413	17608-		Bushing	90 mm		KOM-707-52-90650	60.09
	195-63-01420	17001-		P-U-14	90 mm	150 mm	KOM-707-98-56610	359.07
	195-63-01420	17001-		Bushing	90 mm		KOM-07177-09035	55.30
PIN PULLER	175-63-02080	17001-		P-U-10	30 mm	60 mm	KOM-707-98-11020	98.78
	175-63-02080	17001-		Bushing	30 mm		KOM-707-52-15050	10.41
RIPPER LIFT LH	195-63-01440	17001-17607		P-U-14	110 mm	225 mm	KOM-707-98-74400	940.23
	195-63-01440	17001-17607		Bushing	110 mm		KOM-07177-01135	64.44
	195-63-01441	17608-		P-UB-14	110 mm	225 mm	KOM-707-99-74440	488.12
	195-63-01441	17608-		Bushing	110 mm		KOM-707-52-90850	64.44
RIPPER LIFT RH	195-63-01450	17001-17607		P-U-14	110 mm	225 mm	KOM-707-98-74400	940.23
	195-63-01450	17001-17607		Bushing	110 mm		KOM-07177-01135	64.44
	195-63-01451	17608-		P-UB-14	110 mm	225 mm	KOM-707-99-74440	488.12
	195-63-01451	17608-		Bushing	110 mm		KOM-707-52-90850	64.44
RIPPER TILT LH	195-63-01501	17001-17607		P-U-14	110 mm	200 mm	KOM-707-98-74100	681.29
	195-63-01501	17001-17607		Bushing	110 mm		KOM-07177-01135	64.44

LT - Large size tire L/S - Loading Shovel SLF - Super Long Front B/H - Backhoe HD - Heavy Duty L BUCKET - Large Bucket
 K-LINK - K-type Linkage Blade LB HI-LIFT - High Lift Arm w Large Bucket HI-LIFT - High Lift Arm S HI-LIFT - Super High Lift Arm
 SU - Semi-U Dozer PAT - Power Angle Power Tilt MP - Mulit-Purpose

Replacement Kits For

KOMATSU

Crawler Dozers								
APPLICATION	CYL #	SERIAL #	Misc	CODE	ROD	BORE	KIT #	List \$
MODEL D375A-3								
RIPPER TILT LH	195-63-45502	17608-		P-UB-14	110 mm	200 mm	KOM-707-99-74020	447.63
	195-63-45502	17608-		Bushing	110 mm		KOM-707-52-90850	64.44
RIPPER TILT RH	195-63-01601	17001-17607		P-U-14	110 mm	200 mm	KOM-707-98-74100	681.29
	195-63-01601	17001-17607		Bushing	110 mm		KOM-07177-01135	64.44
	195-63-45602	17608-		P-UB-14	110 mm	200 mm	KOM-707-99-74020	447.63
	195-63-45602	17608-		Bushing	110 mm		KOM-707-52-90850	64.44
TILT	195-63-53401	17001-17607		P-U-14	110 mm	225 mm	KOM-707-98-74410	664.34
	195-63-53401	17001-17607		Bushing	110 mm		KOM-07177-01135	64.44
	195-63-53402	17608-17695		P-UB-14	110 mm	225 mm	KOM-707-99-74450	430.40
	195-63-53402	17608-17695		Bushing	110 mm		KOM-707-52-90850	64.44
	707-01-0Z390	17696-		P-UB-14	110 mm	225 mm	KOM-707-99-74450	430.40
	707-01-0Z390	17696-		Bushing	110 mm		KOM-707-52-90850	64.44
TILT (LH Pitch)	195-63-01311	17001-17607		P-U-14	110 mm	225 mm	KOM-707-98-74410	664.34
	195-63-01311	17001-17607		Bushing	110 mm		KOM-707-52-11110	123.61
	195-63-01312	17608-17703		P-UB-14	110 mm	225 mm	KOM-707-99-74450	430.40
	195-63-01312	17608-17703		Bushing	110 mm		KOM-707-52-90850	64.44
	707-01-0Z410	17704-		P-UB-14	110 mm	225 mm	KOM-707-99-74450	430.40
	707-01-0Z410	17704-		Bushing	110 mm		KOM-707-52-90850	64.44
TILT (RH Pitch)	195-63-01321	17001-17607		P-U-14	110 mm	250 mm	KOM-707-98-81010	695.55
	195-63-01321	17001-17607		Bushing	110 mm		KOM-707-52-11110	123.61
	195-63-01322	17608-17703		P-UB-14	110 mm	250 mm	KOM-707-99-81010	565.13
	195-63-01322	17608-17703		Bushing	110 mm		KOM-707-52-90850	64.44
	707-01-0Z420	17704-		P-UB-14	110 mm	250 mm	KOM-707-99-81010	565.13
	707-01-0Z420	17704-		Bushing	110 mm		KOM-707-52-90850	64.44
MODEL D375A-5								
BLADE LIFT	195-63-01413	18001-		P-UB-14	90 mm	150 mm	KOM-707-99-56510	248.37
	195-63-01413	18001-		Bushing	90 mm		KOM-707-52-90650	60.09
BLADE TILT	195-63-53402	18001-		P-UB-14	110 mm	225 mm	KOM-707-99-74450	430.40
	707-01-0Z390	18001-		P-UB-14	110 mm	225 mm	KOM-707-99-74450	430.40
BLADE TILT (LH Pitch)	195-63-01312	18001-		P-UB-14	110 mm	225 mm	KOM-707-99-74450	430.40
	707-01-0Z410	18001-		P-UB-14	110 mm	225 mm	KOM-707-99-74450	430.40
BLADE TILT (RH Pitch)	195-63-01322	18001-		P-UB-14	110 mm	250 mm	KOM-707-99-81010	565.13
	707-01-0Z420	18001-		P-UB-14	110 mm	250 mm	KOM-707-99-81010	565.13
PIN PULLER	175-63-02080	18001-		P-U-10	30 mm	60 mm	KOM-707-98-11020	98.78
	175-63-02080	18001-		Bushing	30 mm		KOM-07177-03025	10.41
RIPPER LIFT LH	195-63-01441	18001-18151		P-UB-14	110 mm	225 mm	KOM-707-99-74440	488.12
	195-63-01443	18152-		P-UB-14	110 mm	225 mm	KOM-707-99-74440	488.12
RIPPER LIFT RH	195-63-01451	18001-18151		P-UB-14	110 mm	225 mm	KOM-707-99-74440	488.12
	195-63-01453	18152-		P-UB-14	110 mm	225 mm	KOM-707-99-74440	488.12
RIPPER TILT LH	195-63-45502	18001-18151		P-UB-14	110 mm	200 mm	KOM-707-99-74020	447.63
	195-63-45503	18152-		P-UB-14	110 mm	200 mm	KOM-707-99-74020	447.63
RIPPER TILT RH	195-63-45602	18001-18151		P-UB-14	110 mm	200 mm	KOM-707-99-74020	447.63
	195-63-45603	18152-		P-UB-14	110 mm	200 mm	KOM-707-99-74020	447.63
MODEL D375A-6								
DOZER BLADE LIFT LH	707-03-00340	60001-		P-UB-14	90 mm	140 mm	KOM-707-99-56240	255.86
	707-03-00340	60001-		Bushing	90 mm		KOM-707-52-90651	60.09
DOZER BLADE LIFT RH	707-03-00350	60001-		P-UB-14	90 mm	140 mm	KOM-707-99-56240	255.86
	707-03-00350	60001-		Bushing	90 mm		KOM-707-52-90651	60.09
DOZER BLADE TILT	707-01-0AY40	60001-		P-UB-14	110 mm	200 mm	KOM-707-99-74230	446.03
	707-01-0AY40	60001-		Bushing	110 mm		KOM-707-52-90851	64.44
	707-01-0AY50	60001-		P-UB-14	110 mm	200 mm	KOM-707-99-74230	446.03
	707-01-0AY50	60001-		Bushing	110 mm		KOM-707-52-90851	64.44
PIN PULLER	707-04-07200	60014-		P-U-3	30 mm	60 mm	KOM-707-98-11350	100.04
	707-04-07200	60014-		Bushing	30 mm		KOM-707-52-15050	10.41
	707-04-X0070	60001-		P-U-3	30 mm	60 mm	KOM-707-98-11350	100.04

LT - Large size tire L/S - Loading Shovel SLF - Super Long Front B/H - Backhoe HD - Heavy Duty L BUCKET - Large Bucket
 K-LINK - K-type Linkage Blade LB HI-LIFT - High Lift Arm w Large Bucket HI-LIFT - High Lift Arm S HI-LIFT - Super High Lift Arm
 SU - Semi-U Dozer PAT - Power Angle Power Tilt MP - Mult-Purpose

FORMERLY LISTED REPAIR PARTS ARE AVAILABLE ONLINE AT WWW.HERCULESUS.COM
 OR BY CONTACTING YOUR REGIONAL HERCULES SALES TEAM.

KOMATSU

Replacement Kits For

Crawler Dozers								
APPLICATION	CYL #	SERIAL #	Misc	CODE	ROD	BORE	KIT #	List \$
MODEL D375A-6								
PIN PULLER	707-04-X0070	60001-		Bushing	30 mm		KOM-707-52-15050	10.41
RIPPER LIFT LH	707-01-0AY20	60001-		P-UB-14	110 mm	200 mm	KOM-707-99-74240	495.81
	707-01-0AY20	60001-		Bushing	110 mm		KOM-707-52-90851	64.44
RIPPER LIFT RH	707-01-0AY30	60001-		P-UB-14	110 mm	200 mm	KOM-707-99-74240	495.81
	707-01-0AY30	60001-		Bushing	110 mm		KOM-707-52-90851	64.44
RIPPER TILT LH	707-01-0AY60	60001-		P-UB-14	110 mm	180 mm	KOM-707-99-67700	420.35
RIPPER TILT RH	707-01-0AY70	60001-		P-UB-14	110 mm	180 mm	KOM-707-99-67700	420.35
MODEL D475A-2								
TILT	198-63-02130	10201-		P-U-14	140 mm	250 mm	KOM-707-98-84011	947.18
MODEL D475A-3								
BLADE TILT	198-63-02131	10601-		P-U-14	140 mm	250 mm	KOM-707-98-84011	947.18
DUAL TILT	198-63-02131	10601-		P-U-14	140 mm	250 mm	KOM-707-98-84011	947.18
MODEL D475A-3 SD								
BLADE TILT	198-63-02230	10601-		P-U-14	140 mm	250 mm	KOM-707-98-84011	947.18
DUAL TILT	198-63-02230	10601-		P-U-14	140 mm	250 mm	KOM-707-98-84011	947.18
MODEL D475A-5								
BLADE LIFT	707-03-00150	20001-20120		P-UB-14	110 mm	180 mm	KOM-707-99-67640	402.11
	707-03-00150	20001-20120		Bushing	110 mm		KOM-707-52-90850	64.44
	707-03-00152	20121-		P-UB-14	110 mm	180 mm	KOM-707-99-67640	402.11
BLADE TILT	707-01-0X760	20001-		P-UB-14	140 mm	250 mm	KOM-707-99-84200	585.24
	707-01-0X990	20001-		P-UB-14	140 mm	250 mm	KOM-707-99-84200	585.24
PIN PULLER	707-04-00070	20001-		P-U-3	30 mm	60 mm	KOM-707-98-11350	100.04
	707-04-00070	20001-		Bushing	30 mm		KOM-07177-03025	10.41
RIPPER LIFT	707-01-0F540	20001-20121		P-UB-14	120 mm	225 mm	KOM-707-99-75600	430.16
	707-01-0F540	20001-20121		Bushing	120 mm		KOM-707-52-90980	98.34
	707-01-0F541	20122-		P-UB-14	120 mm	225 mm	KOM-707-99-75600	430.16
	707-01-0F541	20122-		Bushing	120 mm		KOM-707-52-90980	98.34
RIPPER TILT	707-01-0F560	20001-		P-UB-14	140 mm	225 mm	KOM-707-99-77620	466.52
MODEL D475A-5E0								
BLADE LIFT	707-03-00152	30001-30146		P-UB-14	110 mm	180 mm	KOM-707-99-67640	402.11
	707-03-00152	30147-		P-UB-14	110 mm	180 mm	KOM-707-99-67640	402.11
BLADE TILT	707-01-0X760	30001-30146		P-UB-14	140 mm	250 mm	KOM-707-99-84200	585.24
	707-01-0X760	30147-		P-UB-14	140 mm	250 mm	KOM-707-99-84200	585.24
PIN PULLER	707-04-00070	30001-		P-U-3	30 mm	60 mm	KOM-707-98-11350	100.04
	707-04-00070	30001-		Bushing	30 mm		KOM-707-52-15050	10.41
	707-04-07200	30150-		P-U-3	30 mm	60 mm	KOM-707-98-11350	100.04
	707-04-07200	30150-		Bushing	30 mm		KOM-707-52-15050	10.41
	707-04-X0070	30147-		P-U-3	30 mm	60 mm	KOM-707-98-11350	100.04
	707-04-X0070	30147-		Bushing	30 mm		KOM-707-52-15050	10.41
RIPPER LIFT	707-01-0F541	30001-30146		P-UB-14	120 mm	225 mm	KOM-707-99-75600	430.16
	707-01-0F541	30001-30146		Bushing	120 mm		KOM-707-52-90980	98.34
	707-01-0F541	30147-		P-UB-14	120 mm	225 mm	KOM-707-99-75600	430.16
	707-01-0F541	30147-		Bushing	120 mm		KOM-707-52-90981	98.34
RIPPER TILT	707-01-0F560	30001-30146		P-UB-14	140 mm	225 mm	KOM-707-99-77620	466.52
	707-01-0F560	30147-		P-UB-14	140 mm	225 mm	KOM-707-99-77620	466.52
MODEL D475ASD-5E0								
BLADE LIFT	707-03-00152	30001-		P-UB-14	110 mm	180 mm	KOM-707-99-67640	402.11
BLADE TILT	707-01-0X990	30001-		P-UB-14	140 mm	250 mm	KOM-707-99-84200	585.24
PIN PULLER	707-04-00070	30001-		P-U-3	30 mm	60 mm	KOM-707-98-11350	100.04
	707-04-00070	30001-		Bushing	30 mm		KOM-707-52-15050	10.41
RIPPER LIFT	707-01-0F541	30001-		P-UB-14	120 mm	225 mm	KOM-707-99-75600	430.16
	707-01-0F541	30001-		Bushing	120 mm		KOM-707-52-90980	98.34
RIPPER TILT	707-01-0F560	30001-		P-UB-14	140 mm	225 mm	KOM-707-99-77620	466.52

LT - Large size tire L/S - Loading Shovel SLF - Super Long Front B/H - Backhoe HD - Heavy Duty L BUCKET - Large Bucket
 K-LINK - K-type Linkage Blade LB HI-LIFT - High Lift Arm w Large Bucket HI-LIFT - High Lift Arm S HI-LIFT - Super High Lift Arm
 SU - Semi-U Dozer PAT - Power Angle Power Tilt MP - Multi-Purpose

KOMATSU

Replacement Kits For

Dump Trucks - Articulated								
APPLICATION	CYL #	SERIAL #	Misc	CODE	ROD	BORE	KIT #	List \$
MODEL HM300-1								
HOIST	707-09-00030	1001-		P-U-14	80,120 mm	100,140 mm	KOM-707-99-54140	229.45
	707-09-00030	1001-		Bushing	120 mm		KOM-07177-01235	70.41
	707-09-00030	1001-		Bushing	80 mm		KOM-07177-08035	40.85
STEERING	707-00-0C781	1001-		P-U-14	70 mm	110 mm	KOM-707-98-37680	215.08
	707-00-0C781	1001-		Bushing	70 mm		KOM-707-52-10700	31.69
SUSPENSION FRONT	56D-50-13100	1001-1188		P-U-1	110 mm	150 mm	KOM-56D-50-13100K	157.04
	56D-50-13100	1001-1188		Bushing	110 mm		KOM-07177-01135	64.44
	56D-50-13101	1189-1484		P-UB-1	110 mm	150 mm	KOM-56D-50-13101K	165.08
	56D-50-13101	1189-1484		Bushing	110 mm		KOM-07177-01135	64.44
	56D-50-13102	1485-1584		P-UB-1	110 mm	150 mm	KOM-56D-50-13102K	385.34
	56D-50-13102	1485-1584		Bushing	110 mm		KOM-07177-01135	64.44
SUSPENSION REAR	56D-50-13103	1585-		P-UB-1	110 mm	150 mm	KOM-56D-50-13103K	385.34
	56D-50-14100	1001-1188		P-U-1	110 mm	150 mm	KOM-56D-50-14100K	157.04
	56D-50-14100	1001-1188		Bushing	110 mm		KOM-07177-01135	64.44
	56D-50-14101	1189-1484		P-UB-1	110 mm	150 mm	KOM-56D-50-14101K	165.08
	56D-50-14101	1189-1484		Bushing	110 mm		KOM-07177-01135	64.44
	56D-50-14102	1485-1584		P-UB-1	110 mm	150 mm	KOM-56D-50-14102K	385.34
56D-50-14102	1485-1584		Bushing	110 mm		KOM-07177-01135	64.44	
56D-50-14103	1585-		P-UB-1	110 mm	150 mm	KOM-56D-50-14103K	385.34	
MODEL HM300-1L								
HOIST	707-09-07041	A10001-		P-U-14	80,120 mm	100,140 mm	KOM-707-99-54140	229.45
	707-09-07041	A10001-		Bushing	120 mm		KOM-07177-01235	70.41
	707-09-07041	A10001-		Bushing	80 mm		KOM-07177-08035	40.85
STEERING	707-00-0C782	A10001-		P-U-14	70 mm	110 mm	KOM-707-99-37620	233.94
	707-00-0C782	A10001-		Bushing	70 mm		KOM-707-52-10700	31.69
SUSPENSION FRONT	56D-50-13100	A10001-		P-U-1	110 mm	150 mm	KOM-56D-50-13100K	157.04
	56D-50-13100	A10001-		Bushing	110 mm		KOM-07177-01135	64.44
SUSPENSION REAR	56D-50-14100	A10001-A10019		P-U-1	110 mm	150 mm	KOM-56D-50-14100K	157.04
	56D-50-14100	A10001-A10019		Bushing	110 mm		KOM-07177-01135	64.44
	56D-50-14101	A10020-		P-UB-1	110 mm	150 mm	KOM-56D-50-14101K	165.08
	56D-50-14101	A10020-		Bushing	110 mm		KOM-07177-01135	64.44
MODEL HM300-2								
HOIST	707-09-00031	2001-2784		P-U-14	80,120 mm	100,140 mm	KOM-707-99-54150	351.08
	707-09-00031	2001-2784		Bushing	120 mm		KOM-07177-01235	70.41
	707-09-00031	2001-2784		Bushing	80 mm		KOM-07177-08035	40.85
	707-09-00031	2785-		P-U-14	80,120 mm	100,140 mm	KOM-707-99-54150	351.08
	707-09-00031	2785-		Bushing	120 mm		KOM-07177-01235	70.41
	707-09-00031	2785-		Bushing	80 mm		KOM-07177-08035	40.85
	707-09-00031	A11001-		P-U-14	80,120 mm	100,140 mm	KOM-707-99-54150	351.08
	707-09-00031	A11001-		Bushing	80 mm		KOM-07177-08035	40.85
	707-09-00031	A11001-		Bushing	120 mm		KOM-07177-01235	70.41
	STEERING	707-00-0C782	2001-2784		P-U-14	70 mm	110 mm	KOM-707-99-37620
707-00-0C782		2001-2784		Bushing	70 mm		KOM-707-52-10700	31.69
707-00-0C782		2785-		P-U-14	70 mm	110 mm	KOM-707-99-37620	233.94
707-00-0C782		2785-		Bushing	70 mm		KOM-707-52-10701	31.69
707-00-0C782		A11001-		P-U-14	70 mm	110 mm	KOM-707-99-37620	233.94
707-00-0C782		A11001-		Bushing	70 mm		KOM-707-52-10701	31.69
SUSPENSION FRONT	56D-50-13102	2001-2588		P-UB-1	110 mm	150 mm	KOM-56D-50-13102K	385.34
	56D-50-13102	2001-2588		Bushing	110 mm		KOM-07177-01135	64.44
	56D-50-13103	2589-2784		P-UB-1	110 mm	150 mm	KOM-56D-50-13103K	385.34
	56D-50-13103	2785-		P-UB-1	110 mm	150 mm	KOM-56D-50-13103K	385.34

LT - Large size tire L/S - Loading Shovel SLF - Super Long Front B/H - Backhoe HD - Heavy Duty L BUCKET - Large Bucket
K-LINK - K-type Linkage Blade LB HI-LIFT - High Lift Arm w Large Bucket HI-LIFT - High Lift Arm S HI-LIFT - Super High Lift Arm
SU - Semi-U Dozer PAT - Power Angle Power Tilt MP - Mulit-Purpose

Replacement Kits For

KOMATSU

Dump Trucks - Articulated								
APPLICATION	CYL #	SERIAL #	Misc	CODE	ROD	BORE	KIT #	List \$
MODEL HM300-2								
SUSPENSION FRONT	56D-50-13103	A11001-		P-UB-1	110 mm	150 mm	KOM-56D-50-13103K	385.34
	56D-50-26100	2589-2784		P-UB-1	110 mm	150 mm	KOM-56D-50-26100K	385.34
	56D-50-26100	2785-		P-UB-1	110 mm	150 mm	KOM-56D-50-26100K	385.34
SUSPENSION REAR	56D-50-14102	2001-2588		P-UB-1	110 mm	150 mm	KOM-56D-50-14102K	385.34
	56D-50-14102	2001-2588		Bushing	110 mm		KOM-07177-01135	64.44
	56D-50-14103	2589-2784		P-UB-1	110 mm	150 mm	KOM-56D-50-14103K	385.34
	56D-50-14103	2785-		P-UB-1	110 mm	150 mm	KOM-56D-50-14103K	385.34
	56D-50-14103	A11001-		P-UB-1	110 mm	150 mm	KOM-56D-50-14103K	385.34
	56D-50-26200	2589-2784		P-UB-1	110 mm	150 mm	KOM-56D-50-26200K	385.34
	56D-50-26200	2785-		P-UB-1	110 mm	150 mm	KOM-56D-50-26200K	385.34
MODEL HM300-3								
HOIST LH	707-E0-00130	3001-		P-U-14	80 mm	110 mm	KOM-707-98-39700	252.38
	707-E0-00130	3001-		Bushing	80 mm		KOM-707-52-15540	40.85
HOIST RH	707-E0-00140	3001-		P-U-14	80 mm	110 mm	KOM-707-98-39700	252.38
	707-E0-00140	3001-		Bushing	80 mm		KOM-707-52-15540	40.85
STEERING	707-E0-00120	3001-		P-U-14	70 mm	105 mm	KOM-707-98-37300	241.87
SUSPENSION FRONT LH	56D-50-33000	3001-		P-UB-1	110 mm	150 mm	KOM-56D-50-33000K	385.34
SUSPENSION FRONT RH	56D-50-35000	3001-		P-UB-1	110 mm	150 mm	KOM-56D-50-35000K	385.34
SUSPENSION REAR	56D-50-34000	3001-		P-UB-1	110 mm	150 mm	KOM-56D-50-34000K	385.34
MODEL HM400-1								
HOIST	707-09-07074	1350-		P-U-14	90, 140 mm	120 mm	KOM-707-99-64152	573.30
	707-09-07074	1350-		Bushing	140 mm		KOM-07177-01435	148.72
	707-09-07074	1350-		Bushing	90 mm		KOM-07177-09040	60.09
	707-09-16022	1001-1079		P-U-14	90, 140 mm	120, 160 mm	KOM-707-99-64150	396.08
	707-09-16022	1001-1079		Bushing	140 mm		KOM-07177-01435	148.72
	707-09-16022	1001-1079		Bushing	90 mm		KOM-07177-09040	60.09
	707-09-16024	1080-1349		P-U-14	90, 140 mm	120 mm	KOM-707-99-64152	573.30
	707-09-16024	1080-1349		Bushing	140 mm		KOM-07177-01435	148.72
	707-09-16024	1080-1349		Bushing	90 mm		KOM-07177-09040	60.09
	STEERING LH	707-00-07E60	1005-1456		P-U-14	70 mm	120 mm	KOM-707-98-43260
707-00-07E60		1005-1456		Bushing	70 mm		KOM-707-52-10700	31.69
707-00-0G620		1457-		P-U-14	70 mm	120 mm	KOM-707-99-43170	304.50
707-00-0G620		1457-		Bushing	70 mm		KOM-707-52-10700	31.69
721-00-12053		1001-1004		P-U-14	70 mm	120 mm	KOM-707-98-43260	236.38
STEERING RH	721-00-12053	1001-1004		Bushing	70 mm		KOM-707-52-10700	31.69
	707-00-07E70	1005-1456		P-U-14	70 mm	120 mm	KOM-707-98-43260	236.38
	707-00-07E70	1005-1456		Bushing	70 mm		KOM-707-52-10700	31.69
	707-00-0G630	1457-		P-U-14	70 mm	120 mm	KOM-707-99-43170	304.50
	707-00-0G630	1457-		Bushing	70 mm		KOM-707-52-10700	31.69
SUSPENSION FRONT	721-00-12063	1001-1004		P-U-14	70 mm	120 mm	KOM-707-98-43260	236.38
	721-00-12063	1001-1004		Bushing	70 mm		KOM-707-52-10700	31.69
	56B-50-13002	1001-1243		P-U-1	140 mm	180 mm	KOM-56B-50-13002K	440.27
	56B-50-13002	1001-1243		Bushing	140 mm		KOM-07177-01440	144.81
	56B-50-13003	1244-1447		P-UB-1	140 mm	180 mm	KOM-56B-50-13003K	668.43
	56B-50-13003	1244-1447		Bushing	140 mm		KOM-07177-01440	144.81
	56B-50-13004	1448-1743		P-UB-1	140 mm	180 mm	KOM-56B-50-13004K	668.43
	56B-50-13004	1448-1743		Bushing	140 mm		KOM-07177-01440	144.81
	56B-50-13005	1744-		P-UB-1	140 mm	180 mm	KOM-56B-50-13005K	668.43
	56B-50-16100	1110-1243		P-U-1	140 mm	180 mm	KOM-56B-50-16100K	440.27
	56B-50-16100	1110-1243		Bushing	140 mm		KOM-07177-01440	144.81
	56B-50-16101	1244-1447		P-UB-1	140 mm	180 mm	KOM-56B-50-16101K	668.43
56B-50-16101	1244-1447		Bushing	140 mm		KOM-07177-01440	144.81	
56B-50-16102	1448-1743		P-UB-1	140 mm	180 mm	KOM-56B-50-16102K	668.43	

LT - Large size tire L/S - Loading Shovel SLF - Super Long Front B/H - Backhoe HD - Heavy Duty L BUCKET - Large Bucket
 K-LINK - K-type Linkage Blade LB HI-LIFT - High Lift Arm w Large Bucket HI-LIFT - High Lift Arm S HI-LIFT - Super High Lift Arm
 SU - Semi-U Dozer PAT - Power Angle Power Tilt MP - Mult-Purpose

KOMATSU

Replacement Kits For

Dump Trucks - Articulated								
APPLICATION	CYL #	SERIAL #	Misc	CODE	ROD	BORE	KIT #	List \$
MODEL HM400-1								
SUSPENSION FRONT	56B-50-16102	1448-1743		Bushing	140 mm		KOM-07177-01440	144.81
	56B-50-16103	1744-		P-UB-1	140 mm	180 mm	KOM-56B-50-16103K	668.43
SUSPENSION REAR	56B-50-14000	1001-1243		P-U-1	140 mm	180 mm	KOM-56B-50-14000K	440.27
	56B-50-14000	1001-1243		Bushing	140 mm		KOM-07177-01440	144.81
	56B-50-14001	1244-1447		P-UB-1	140 mm	180 mm	KOM-56B-50-14001K	668.43
	56B-50-14001	1244-1447		Bushing	140 mm		KOM-07177-01440	144.81
	56B-50-14002	1448-1743		P-UB-1	140 mm	180 mm	KOM-56B-50-14002K	668.43
	56B-50-14002	1448-1743		Bushing	140 mm		KOM-07177-01440	144.81
	56B-50-14003	1744-		P-UB-1	140 mm	180 mm	KOM-56B-50-14003K	668.43
	56B-50-16201	1244-1447		P-UB-1	140 mm	180 mm	KOM-56B-50-16201K	668.43
	56B-50-16201	1244-1447		Bushing	140 mm		KOM-07177-01440	144.81
	56B-50-16202	1448-1743		P-UB-1	140 mm	180 mm	KOM-56B-50-16202K	668.43
	56B-50-16202	1448-1743		Bushing	140 mm		KOM-07177-01440	144.81
	56B-50-16203	1744-		P-UB-1	140 mm	180 mm	KOM-56B-50-16203K	668.43
	MODEL HM400-1L							
HOIST	707-09-16024	A10001-		P-U-14	90, 140 mm	120, 160 mm	KOM-707-99-64150	396.08
	707-09-16024	A10001-		Bushing	140 mm		KOM-07177-01435	148.72
	707-09-16024	A10001-		Bushing	90 mm		KOM-07177-09040	60.09
STEERING LH	707-00-07E60	A10001-		P-U-14	70 mm	120 mm	KOM-707-98-43260	236.38
	707-00-07E60	A10001-		Bushing	70 mm		KOM-707-52-10700	31.69
STEERING RH	707-00-07E70	A10001-		P-U-14	70 mm	120 mm	KOM-707-98-43260	236.38
	707-00-07E70	A10001-		Bushing	70 mm		KOM-707-52-10700	31.69
SUSPENSION FRONT	56B-50-13002	A10001-		P-U-1	140 mm	180 mm	KOM-56B-50-13002K	440.27
	56B-50-13002	A10001-		Bushing	140 mm		KOM-07177-01440	144.81
SUSPENSION REAR	56B-50-14001	A10001-		P-UB-1	140 mm	180 mm	KOM-56B-50-14001K	668.43
	56B-50-14001	A10001-		Bushing	140 mm		KOM-07177-01440	144.81
MODEL HM400-2								
HOIST	707-09-00080	2448-		P-U-14	90, 140 mm	120 mm	KOM-707-99-64180	582.82
	707-09-07074	2001-2447		P-U-14	90, 140 mm	120 mm	KOM-707-99-64152	573.30
	707-09-07100	2448-		P-U-14	90, 140 mm	120 mm	KOM-707-99-64180	582.82
	707-09-16024	2001-2447		P-U-14	90, 140 mm	120 mm	KOM-707-99-64152	573.30
STEERING LH	707-00-0X420	2001-		P-U-14	70 mm	120 mm	KOM-707-99-43170	304.50
	721-00-0G620	2001-		P-U-14	70 mm	120 mm	KOM-707-99-43170	304.50
STEERING RH	707-00-0X430	2001-		P-U-14	70 mm	120 mm	KOM-707-99-43170	304.50
	721-00-0G630	2001-		P-U-14	70 mm	120 mm	KOM-707-99-43170	304.50
MODEL HM400-3								
CAB TILT	707-E0-00110	3001-		P-U-10	25 mm	45 mm	KOM-707-98-02420	145.47
HOIST LH	707-E0-00160	3001-		P-U-14	95 mm	135 mm	KOM-707-98-48700	410.16
	707-E0-00160	3001-		Bushing	95 mm		KOM-707-52-10951	62.35
HOIST RH	707-E0-00170	3001-		P-U-14	95 mm	135 mm	KOM-707-98-48700	410.16
	707-E0-00170	3001-		Bushing	95 mm		KOM-707-52-10951	62.35
STEERING LH	707-E0-00230	3001-		P-UB-14	70 mm	120 mm	KOM-707-99-42170	327.73
	707-E0-00230	3001-		Bushing	70 mm		KOM-707-52-90461	14.40
STEERING RH	707-E0-00240	3001-		P-UB-14	70 mm	120 mm	KOM-707-99-42170	327.73
	707-E0-00240	3001-		Bushing	70 mm		KOM-707-52-90461	14.40
SUSPENSION FRONT LH	56B-50-33000	3001-		P-UB-1	160 mm		KOM-56B-50-33000K	581.17
SUSPENSION FRONT RH	56B-50-35000	3001-		P-UB-1	160 mm		KOM-56B-50-35000K	581.17
SUSPENSION REAR	56B-50-34000	3001-		P-UB-1	110 mm	150 mm	KOM-56B-50-34000K	393.37

LT - Large size tire L/S - Loading Shovel SLF - Super Long Front B/H - Backhoe HD - Heavy Duty L BUCKET - Large Bucket
 K-LINK - K-type Linkage Blade LB HI-LIFT - High Lift Arm w Large Bucket HI-LIFT - High Lift Arm S HI-LIFT - Super High Lift Arm
 SU - Semi-U Dozer PAT - Power Angle Power Tilt MP - Multi-Purpose

FORMERLY LISTED REPAIR PARTS ARE AVAILABLE ONLINE AT WWW.HERCULESUS.COM
 OR BY CONTACTING YOUR REGIONAL HERCULES SALES TEAM.

KOMATSU

Replacement Kits For

Excavators									
APPLICATION	CYL #	SERIAL #	Misc	CODE	ROD	BORE	KIT #	List \$	
MODEL PC12R-8									
ARM	20M-63-02121	10001-		P-U-14	30 mm	50 mm	KOM-707-98-04640	135.85	
BOOM SWING	20M-63-02140	10001-		P-U-14	30 mm	60 mm	KOM-707-98-11310	75.09	
BUCKET	20M-63-02130	10001-		P-U-14	30 mm	50 mm	KOM-707-98-04640	135.85	
MODEL PC15R-8									
ARM	20W-63-02121	10001-		P-U-14	35 mm	55 mm	KOM-707-98-13960	52.79	
BLADE	20W-63-02150	10001-		P-U-14	35 mm	70 mm	KOM-707-98-12660	108.35	
BOOM (Cab)	20W-63-02160	10001-		P-U-14	35 mm	60 mm	KOM-707-98-12330	105.54	
BOOM (Canopy)	20W-63-02111	10001-		P-U-14	35 mm	60 mm	KOM-707-98-12330	105.54	
BOOM (Swing)	20M-63-02140	10001-		P-U-14	30 mm	60 mm	KOM-707-98-11310	75.09	
BUCKET	20M-63-02130	10001-		P-U-14	30 mm	50 mm	KOM-707-98-04640	135.85	
MODEL PC20-7									
ARM	20N-63-02222	35001-37000		P-U-14	40 mm	70 mm	KOM-707-98-14610	107.87	
BLADE LIFT	20N-63-02251	35001-		P-U-14	35 mm	70 mm	KOM-707-98-12410	107.87	
BUCKET	20P-63-02130	42355-		P-U-14	35 mm	60 mm	KOM-707-98-12310	105.54	
	20P-63-02131	35001-		P-U-14	35 mm	60 mm	KOM-707-98-12310	105.54	
MODEL PC20MRX-1									
ARM	22K-63-02131	10001-		P-U-14	40 mm	70 mm	KOM-707-98-14610	107.87	
MODEL PC20R-8									
ARM	20N-63-02523	10001-		P-U-14	40 mm	65 mm	KOM-707-98-14830	76.89	
BLADE LIFT (MAPI)	20N-63-02011	10001-		P-U-14	35 mm	70 mm	KOM-707-98-12410	107.87	
MODEL PC25R-8									
ARM	20P-63-02522	10001-		P-U-14	40 mm	70 mm	KOM-707-98-14610	107.87	
BLADE	20P-63-02451	10001-		P-U-14	40 mm	70 mm	KOM-707-98-12670	107.87	
BLADE LIFT	20N-63-02271	10001-		P-U-14	35 mm	70 mm	KOM-707-98-12410	107.87	
BOOM (Cab)	20P-63-02512	10001-		P-U-14	45 mm	75 mm	KOM-707-98-24890	274.00	
BOOM (Canopy)	20P-63-02502	10001-		P-U-14	45 mm	75 mm	KOM-707-98-24890	274.00	
BOOM SWING	20P-63-02541	10001-		P-U-14	40 mm	80 mm	KOM-707-98-23130	163.07	
MODEL PC27MR-2									
ARM	707-00-0F460	15001-		P-U-14	40 mm	65 mm	KOM-707-98-14910	76.96	
BLADE LIFT	707-00-0E550	15001-		P-U-14	45 mm	85 mm	KOM-707-98-24930	125.98	
BOOM	707-00-0F450	15001-		P-U-14	45 mm	75 mm	KOM-707-98-23890	100.92	
BOOM SWING	707-00-0F480	15001-		P-U-14	40 mm	75 mm	KOM-707-98-22890	100.04	
BUCKET	707-00-0F470	15001-		P-U-14	35 mm	55 mm	KOM-707-98-13990	148.42	
MODEL PC27MRX-1									
ARM	22L-63-02230	10001-10878		P-U-14	40 mm	70 mm	KOM-707-98-14610	107.87	
	22L-63-02231	10879-		P-U-14	40 mm	70 mm	KOM-707-98-14610	107.87	
BLADE	21U-63-02451	10001-		P-U-14	40 mm	80 mm	KOM-707-98-22180	99.23	
BOOM	22L-63-02112	10001-		P-U-14	45 mm	75 mm	KOM-707-98-24890	274.00	
	22L-63-02113	10001-		P-U-14	45 mm	75 mm	KOM-707-98-24890	274.00	
	22L-63-02122	10001-		P-U-14	45 mm	75 mm	KOM-707-98-24890	274.00	
	22L-63-02123	10001-		P-U-14	45 mm	75 mm	KOM-707-98-24890	274.00	
BOOM (Cab)	707-00-75330	10001-		P-U-14	45 mm	75 mm	KOM-707-98-24890	274.00	
	707-00-75331	10001-		P-U-14	45 mm	75 mm	KOM-707-98-24890	274.00	
BOOM SWING	721-00-80500	10001-		P-U-14	40 mm	80 mm	KOM-707-98-23130	163.07	
BOOM SWING (Cab)	22L-63-86242	10001-		P-U-14	40 mm	80 mm	KOM-707-98-23130	163.07	
BOOM SWING (Canopy)	22L-63-86142	10001-		P-U-14	40 mm	80 mm	KOM-707-98-23130	163.07	
BUCKET	21U-63-02480	10001-		P-U-14	40 mm	70 mm	KOM-707-98-14610	107.87	
	22L-63-02240	10001-		P-U-14	35 mm	60 mm	KOM-707-98-12310	105.54	
MODEL PC27R-8									
ARM	20P-63-02522	10001-		P-U-14	40 mm	70 mm	KOM-707-98-14610	107.87	
BLADE	20P-63-02552	10001-		P-U-14	40 mm	70 mm	KOM-707-98-12670	107.87	
BLADE LIFT	20P-63-02140	10001-		P-U-14	35 mm	70 mm	KOM-707-98-12410	107.87	
BOOM (Cab)	20P-63-02512	10001-		P-U-14	45 mm	75 mm	KOM-707-98-24890	274.00	
BOOM (Canopy)	20P-63-02502	10001-		P-U-14	45 mm	75 mm	KOM-707-98-24890	274.00	
BOOM (Swing)	20P-63-02541	10001-		P-U-14	40 mm	80 mm	KOM-707-98-23130	163.07	
BUCKET	20P-63-02531	10001-		P-U-14	35 mm	60 mm	KOM-707-98-12310	105.54	

LT - Large size tire L/S - Loading Shovel SLF - Super Long Front B/H - Backhoe HD - Heavy Duty L BUCKET - Large Bucket

K-LINK - K-type Linkage Blade LB HI-LIFT - High Lift Arm w Large Bucket HI-LIFT - High Lift Arm S HI-LIFT - Super High Lift Arm

SU - Semi-U Dozer PAT - Power Angle Power Tilt MP - Multi-Purpose

NORTH AMERICA
PHONE 1-800-777-5617
FAX 1-800-759-6391

SALES OFFICE HOURS
8 A.M. TO 8:00 P.M. EASTERN TIME
www.HerculesUS.com

WORLDWIDE
PHONE 1-727-796-1300
FAX 1-727-797-8849

HERCULES
SEALING PRODUCTS

KOMATSU

Replacement Kits For

Excavators								
APPLICATION	CYL #	SERIAL #	Misc	CODE	ROD	BORE	KIT #	List \$
MODEL PC30MRX-1								
BLADE	20U-63-02451	10001-		P-U-14	40 mm	80 mm	KOM-707-98-22180	99.23
BOOM (Cab)	707-00-75330	10001-		P-U-14	45 mm	75 mm	KOM-707-98-24890	274.00
BOOM (Canopy)	707-00-75320	10001-		P-U-14	45 mm	75 mm	KOM-707-98-24890	274.00
BOOM SWING (Cab)	721-00-80500	10001-		P-U-14	40 mm	80 mm	KOM-707-98-23130	163.07
BOOM SWING (Canopy)	721-00-80400	10001-		P-U-14	40 mm	80 mm	KOM-707-98-23130	163.07
BUCKET	20U-63-02432	10001-		P-U-14	40 mm	65 mm	KOM-707-98-14830	76.89
MODEL PC35MR-2								
ARM	707-00-0E570	5001-		P-U-14	45 mm	75 mm	KOM-707-98-23870	109.68
BLADE ANGLE	707-00-0G340	5001-		P-U-14	35 mm	60 mm	KOM-707-98-13220	78.91
BLADE LIFT	707-00-0E590	5001-		P-U-14	45 mm	95 mm	KOM-707-98-24770	95.27
	707-00-0F370	5001-		P-U-14	45 mm	95 mm	KOM-707-98-24770	95.27
BOOM	707-00-0E560	5001-		P-U-14	45 mm	80 mm	KOM-707-98-24330	116.21
BOOM SWING	707-00-0E580	5001-		P-U-14	50 mm	95 mm	KOM-707-98-29630	157.16
BUCKET	707-00-0E530	5001-		P-U-14	40 mm	65 mm	KOM-707-98-14930	159.80
MODEL PC35MRX-1A								
ARM	22F-63-02121	1001-		P-U-14	45 mm	75 mm	KOM-707-98-23810	109.59
BLADE	22F-63-02152	1001-		P-U-14	45 mm	95 mm	KOM-707-98-24610	95.19
BOOM	22F-63-02112	3930-		P-U-14	45 mm	80 mm	KOM-707-98-24281	109.02
BOOM SWING	22F-63-02142	1001-1008		P-U-14	50 mm	95 mm	KOM-707-98-29661	137.95
	22F-63-02143	1009-		P-U-14	50 mm	95 mm	KOM-707-98-29661	137.95
BUCKET	20S-63-02423	3930-		P-U-14	40 mm	65 mm	KOM-707-98-14830	76.89
MODEL PC35R-8								
ARM	20S-63-02414	35001-		P-U-14	45 mm	75 mm	KOM-707-98-23810	109.59
BUCKET	20S-63-02423	35001-		P-U-14	40 mm	65 mm	KOM-707-98-14830	76.89
MODEL PC40MR-1, PC40MRX-1								
ARM	22M-63-02122	1001-5500		P-U-14	50 mm	80 mm	KOM-707-98-25250	144.25
	707-00-0C460	5501-		P-U-14	50 mm	80 mm	KOM-707-98-25350	144.41
BLADE	22N-63-02153	1001-5500		P-UB-14	50 mm	105 mm	KOM-707-98-32810	336.13
	707-00-0C500	5501-		P-U-14	50 mm	105 mm	KOM-707-98-32900	153.33
BOOM (Cab)	22N-63-02112	1001-5500		P-U-14	50 mm	90 mm	KOM-707-98-25560	132.13
	707-00-0C450	5501-		P-U-14	50 mm	90 mm	KOM-707-98-25700	132.26
BOOM (Canopy)	22N-63-02102	1001-5500	PC40MR-1	P-U-14	50 mm	90 mm	KOM-707-98-25560	132.13
	707-00-0C440	5501-	PC40MR-1	P-U-14	50 mm	90 mm	KOM-707-98-25700	132.26
BOOM SWING	22M-63-02142	1001-5500		P-UB-14	50 mm	90 mm	KOM-707-98-25520	272.51
	707-00-0C490	5501-		P-U-14	50 mm	90 mm	KOM-707-98-25710	124.97
BUCKET	20T-63-02425	1001-5500		P-U-14	45 mm	70 mm	KOM-707-98-15690	79.32
	20T-63-02524	1001-5500		P-U-14	50 mm	75 mm	KOM-707-98-25910	129.61
	707-00-0C470	5501-		P-U-14	45 mm	70 mm	KOM-707-98-15740	79.51
	707-00-0C480	5501-		P-U-14	50 mm	75 mm	KOM-707-98-25970	129.86
MODEL PC40MR-2								
ARM	707-00-0E650	8001-		P-U-14	50 mm	80 mm	KOM-707-98-25350	144.41
BLADE	707-00-0E640	8001-		P-U-14	50 mm	110 mm	KOM-707-98-32550	141.56
BLADE (PAT)	707-00-0F400	8001-		P-U-14	55 mm	115 mm	KOM-707-98-34670	158.05
BOOM	707-00-0E600	8001-		P-U-14	50 mm	90 mm	KOM-707-98-29500	204.96
BOOM SWING	707-00-0E630	8001-		P-U-14	50 mm	90 mm	KOM-707-98-29510	144.07
BUCKET	707-00-0E610	8001-		P-U-14	45 mm	70 mm	KOM-707-98-15760	86.59
MODEL PC40R-8								
ARM	20T-63-02414	30001-		P-U-14	50 mm	80 mm	KOM-707-98-25250	144.25
BLADE	20T-63-02441	30001-		P-U-14	50 mm	100 mm	KOM-707-98-32120	282.96
BOOM	20T-63-02402	30001-		P-U-14	50 mm	90 mm	KOM-707-98-25560	132.13
BOOM SWING	20T-63-02433	30001-		P-UB-14	50 mm	90 mm	KOM-707-98-25520	272.51
BUCKET	20T-63-02425	30001-		P-U-14	45 mm	70 mm	KOM-707-98-15690	79.32
MODEL PC45-1								
ARM	20T-63-02310	1001-		P-U-14	50 mm	85 mm	KOM-707-98-25820	168.86
BLADE	20T-63-02231	1001-		P-U-14	50 mm	100 mm	KOM-707-98-32120	282.96

LT - Large size tire L/S - Loading Shovel SLF - Super Long Front B/H - Backhoe HD - Heavy Duty L BUCKET - Large Bucket
 K-LINK - K-type Linkage Blade LB HI-LIFT - High Lift Arm w Large Bucket HI-LIFT - High Lift Arm S HI-LIFT - Super High Lift Arm
 SU - Semi-U Dozer PAT - Power Angle Power Tilt MP - Mulit-Purpose

FORMERLY LISTED REPAIR PARTS ARE AVAILABLE ONLINE AT WWW.HERCULESUS.COM
 OR BY CONTACTING YOUR REGIONAL HERCULES SALES TEAM.

KOMATSU

Replacement Kits For

KOMATSU

Excavators								
APPLICATION	CYL #	SERIAL #	Misc	CODE	ROD	BORE	KIT #	List \$
MODEL PC45-1								
BLADE LIFT	20T-63-02260	1001-		P-UB-14	50 mm	105 mm	KOM-707-98-32810	336.13
BLADE TILT	20U-63-02090	1001-		P-U-14	45 mm	90 mm	KOM-707-98-24550	118.16
BOOM	20T-63-02300	1001-		P-U-14	55 mm	95 mm	KOM-707-98-34140	147.89
BOOM SWING	20T-63-02330	1001-		P-U-14	50 mm	95 mm	KOM-707-98-25620	137.86
BUCKET	20T-63-02320	1001-		P-UB-14	50 mm	80 mm	KOM-707-98-25110	105.32
MODEL PC45MR-3								
ARM	707-00-0H710	5001-		P-U-14	45 mm	70 mm	KOM-707-98-15770	86.59
BLADE	707-00-0H720	5001-		P-U-14	50 mm	110 mm	KOM-707-98-32570	141.56
BLADE (PAT)	707-00-0F400	5001-		P-U-14	55 mm	115 mm	KOM-707-98-34670	158.05
BLADE TILT	707-00-0G490	5001-		P-U-14	40 mm	70 mm	KOM-707-98-14770	73.91
BOOM	707-00-0H690	5001-		P-U-14	50 mm	90 mm	KOM-707-98-25750	132.29
	707-00-0H700	5001-		P-U-14	50 mm	80 mm	KOM-707-98-26300	144.28
BOOM SWING	707-00-0H660	5001-		P-U-14	50 mm	90 mm	KOM-707-98-25760	144.07
MODEL PC45MRX-1								
ARM	22N-63-02121	1001-3000		P-U-14	50 mm	85 mm	KOM-707-98-25830	168.67
	707-00-0C540	3001-		P-U-14	50 mm	85 mm	KOM-707-98-25870	168.97
BLADE	22N-63-02153	1001-3000		P-UB-14	50 mm	105 mm	KOM-707-98-32810	336.13
	707-00-0C500	3001-		P-U-14	50 mm	105 mm	KOM-707-98-32900	153.33
BOOM SWING	22N-63-02142	1001-3000		P-U-14	50 mm	95 mm	KOM-707-98-29661	137.95
	707-00-0C570	3001-		P-U-14	50 mm	95 mm	KOM-707-98-29620	138.12
BUCKET	20T-63-02524	1001-3000		P-U-14	50 mm	75 mm	KOM-707-98-25910	129.61
	707-00-0C480	3001-		P-U-14	50 mm	75 mm	KOM-707-98-25970	129.86
SLIDE	707-00-0C580	2240-		P-U-14	45 mm	75 mm	KOM-707-98-23860	105.12
MODEL PC45R-8								
ARM	20T-63-02514	5001-		P-U-14	50 mm	85 mm	KOM-707-98-25830	168.67
BOOM	20T-63-02402	5001-		P-U-14	50 mm	90 mm	KOM-707-98-25560	132.13
MODEL PC50MR-2								
ANGLE	707-00-0G490	5001-		P-U-14	40 mm	70 mm	KOM-707-98-14770	73.91
ARM	707-00-0E620	5001-		P-U-14	50 mm	85 mm	KOM-707-98-25870	168.97
BLADE	707-00-0E640	5001-		P-U-14	50 mm	110 mm	KOM-707-98-32550	141.56
	707-00-0F400	5001-		P-U-14	55 mm	115 mm	KOM-707-98-34670	158.05
BOOM	707-00-0E600	5001-		P-U-14	50 mm	90 mm	KOM-707-98-29500	204.96
BOOM SWING	707-00-0E670	5001-		P-U-14	50 mm	95 mm	KOM-707-98-29640	157.16
BUCKET	707-00-0E660	5001-		P-U-14	50 mm	75 mm	KOM-707-98-25980	136.94
MODEL PC50UU-2								
ARM	20U-63-02312	10835-12761	EU	P-U-14	55 mm	90 mm	KOM-707-98-26620	136.74
	20U-63-02312	8001-12771		P-U-14	55 mm	90 mm	KOM-707-98-26620	136.74
	20U-63-02313	12762-12799	EU	P-U-14	55 mm	90 mm	KOM-707-98-26620	136.74
	20U-63-02313	12772-14992		P-U-14	55 mm	90 mm	KOM-707-98-26620	136.74
	20U-63-02314	12800-	EU	P-U-14	55 mm	90 mm	KOM-707-98-26620	136.74
	20U-63-02314	14993-		P-U-14	55 mm	90 mm	KOM-707-98-26620	136.74
ARM (Mono Boom)	20T-63-02310	8001-14992		P-U-14	50 mm	85 mm	KOM-707-98-25820	168.86
	20U-63-02460	14993-		P-U-14	50 mm	85 mm	KOM-707-98-25820	168.86
BLADE	20U-63-02250	10835-12799	EU	P-U-14	50 mm	100 mm	KOM-707-98-32120	282.96
	20U-63-02250	8001-14992		P-U-14	50 mm	100 mm	KOM-707-98-32120	282.96
	20U-63-02251	12800-	EU	P-U-14	50 mm	100 mm	KOM-707-98-32120	282.96
	20U-63-02251	14993-18000		P-U-14	50 mm	100 mm	KOM-707-98-32120	282.96
	20U-63-02270	10835-12799	EU	P-UB-14	50 mm	105 mm	KOM-707-98-32810	336.13
	20U-63-02270	8001-14992		P-UB-14	50 mm	105 mm	KOM-707-98-32810	336.13
	20U-63-02271	12800-	EU	P-UB-14	50 mm	105 mm	KOM-707-98-32810	336.13
	20U-63-02271	14993-18000		P-UB-14	50 mm	105 mm	KOM-707-98-32810	336.13
	20U-63-02380	8001-14992		P-U-14	60 mm	110 mm	KOM-707-98-35520	111.53
	20U-63-02381	14993-		P-U-14	60 mm	110 mm	KOM-707-98-35520	111.53
	20U-63-02650	18001-		P-U-14	50 mm	100 mm	KOM-707-98-32120	282.96
	20U-63-02660	18001-		P-UB-14	50 mm	105 mm	KOM-707-98-32810	336.13

LT - Large size tire L/S - Loading Shovel SLF - Super Long Front B/H - Backhoe HD - Heavy Duty L BUCKET - Large Bucket
 K-LINK - K-type Linkage Blade LB HI-LIFT - High Lift Arm w Large Bucket HI-LIFT - High Lift Arm S HI-LIFT - Super High Lift Arm
 SU - Semi-U Dozer PAT - Power Angle Power Tilt MP - Multi-Purpose

KOMATSU

Replacement Kits For

Excavators								
APPLICATION	CYL #	SERIAL #	Misc	CODE	ROD	BORE	KIT #	List \$
MODEL PC50UU-2								
BOOM	20U-63-02201	10835-12761	EU	P-U-14	55 mm	100 mm	KOM-707-98-34120	187.54
	20U-63-02201	8001-12771		P-U-14	55 mm	100 mm	KOM-707-98-34120	187.54
	20U-63-02202	12762-12799	EU	P-U-14	55 mm	100 mm	KOM-707-98-34180	130.11
	20U-63-02202	12772-14992		P-U-14	55 mm	100 mm	KOM-707-98-34180	130.11
	20U-63-02203	12800-	EU	P-U-14	55 mm	100 mm	KOM-707-98-34180	130.11
	20U-63-02203	14993-		P-U-14	55 mm	100 mm	KOM-707-98-34180	130.11
BOOM (Mono Boom)	20U-63-02300	8001-14992		P-U-14	55 mm	100 mm	KOM-707-98-34120	187.54
	20U-63-02301	14993-		P-U-14	55 mm	100 mm	KOM-707-98-34120	187.54
BUCKET	20U-63-02221	10835-12799	EU	P-UB-14	50 mm	80 mm	KOM-707-98-25110	105.32
	20U-63-02221	8001-14992		P-UB-14	50 mm	80 mm	KOM-707-98-25110	105.32
	20U-63-02222	12800-	EU	P-UB-14	50 mm	80 mm	KOM-707-98-25110	105.32
	20U-63-02222	14993-		P-UB-14	50 mm	80 mm	KOM-707-98-25110	105.32
	20U-63-02281	12800-	EU	P-UB-14	50 mm	80 mm	KOM-707-98-25110	105.32
	20U-63-02281	14993-		P-UB-14	50 mm	80 mm	KOM-707-98-25110	105.32
	20U-63-02320	10835-12799	EU	P-UB-14	50 mm	80 mm	KOM-707-98-25110	105.32
	20U-63-02320	8001-14992		P-UB-14	50 mm	80 mm	KOM-707-98-25110	105.32
OFFSET	20U-63-02230	10835-12799	EU	P-UB-14	50 mm	90 mm	KOM-707-98-25520	272.51
	20U-63-02230	8001-14992		P-UB-14	50 mm	90 mm	KOM-707-98-25520	272.51
	20U-63-02231	12800-	EU	P-UB-14	50 mm	90 mm	KOM-707-98-25520	272.51
	20U-63-02231	14993-		P-UB-14	50 mm	90 mm	KOM-707-98-25520	272.51
SLIDE	20T-63-02290	8617-		P-U-14	45 mm	75 mm	KOM-707-98-24820	106.26
SLIDE ARM	20U-63-02392	10835-12761	EU	P-U-14	35 mm	60 mm	KOM-707-98-12320	72.54
	20U-63-02392	8001-12771		P-U-14	35 mm	60 mm	KOM-707-98-12320	72.54
	20U-63-02393	12762-12799	EU	P-U-14	35 mm	60 mm	KOM-707-98-12320	72.54
	20U-63-02393	12772-14992		P-U-14	35 mm	60 mm	KOM-707-98-12320	72.54
	20U-63-02394	12800-	EU	P-U-14	35 mm	60 mm	KOM-707-98-12320	72.54
	20U-63-02394	14993-		P-U-14	35 mm	60 mm	KOM-707-98-12320	72.54
TILT	20U-63-02090	8001-14992		P-U-14	45 mm	90 mm	KOM-707-98-24550	118.16
	20U-63-02091	14993-18000		P-U-14	45 mm	90 mm	KOM-707-98-24550	118.16
	20U-63-02670	18001-		P-U-14	45 mm	90 mm	KOM-707-98-24550	118.16
MODEL PC60-7								
ARM	201-63-02312	45001-52273		P-UB-14	60 mm	100 mm	KOM-707-99-35230	419.46
BOOM	201-63-02302	45001-52273		P-UB-14	65 mm	115 mm	KOM-707-99-36630	495.66
BUCKET	201-63-02322	45001-52273		P-UB-14	55 mm	90 mm	KOM-707-99-26640	470.23
MODEL PC60U-5								
ARM	201-63-02050	4501-		P-U-14	60 mm	90 mm	KOM-707-98-27500	279.67
BLADE	201-63-02070	4501-		P-U-14	60 mm	100 mm	KOM-707-98-35130	317.17
	201-63-02080	4501-		P-U-14	60 mm	100 mm	KOM-707-98-35130	317.17
BOOM	201-63-02040	4501-		P-U-14	65 mm	100 mm	KOM-707-99-36260	323.66
BUCKET	201-63-02030	4501-		P-U-14	55 mm	90 mm	KOM-707-98-26520	161.86
MODEL PC75UU-2								
ARM	21W-63-02141	5001-		P-U-14	65 mm	110 mm	KOM-707-98-36600	130.83
	21W-63-02220	7075-7345		P-U-14	60 mm	100 mm	KOM-21W-63-02220K	108.85
	21W-63-02221	7346-		P-U-14	60 mm	100 mm	KOM-21W-63-02221K	108.85
BLADE	21W-63-02051	5001-		P-U-14	70 mm	130 mm	KOM-707-98-43510	457.33
BOOM	21W-63-02131	5001-10370		P-U-14	70 mm	120 mm	KOM-707-98-43200	155.24
	21W-63-02310	10371-		P-U-14	70 mm	120 mm	KOM-707-98-43210	138.56
BOOM (Mono Boom)	21W-63-02210	7075-		P-U-14	70 mm	120 mm	KOM-707-98-43200	155.24
BUCKET	21W-63-02151	5001-		P-UB-14	55 mm	90 mm	KOM-707-98-26580	279.85
BUCKET (Mono Boom)	20X-63-02220	7075-		P-U-14	55 mm	90 mm	KOM-707-99-26620	405.49
BUCKET (Slide Arm)	21W-63-02290	5001-		P-UB-14	55 mm	90 mm	KOM-707-98-26580	279.85
OFFSET	21W-63-02161	5001-		P-U-14	55 mm	110 mm	KOM-707-98-34560	141.72
SLIDE ARM	21W-63-02280	5001-10370		P-U-14	45 mm	75 mm	KOM-707-98-24830	92.80
	21W-63-02281	10371-		P-U-14	45 mm	75 mm	KOM-707-98-24830	92.80

LT - Large size tire L/S - Loading Shovel SLF - Super Long Front B/H - Backhoe HD - Heavy Duty L BUCKET - Large Bucket
 K-LINK - K-type Linkage Blade LB HI-LIFT - High Lift Arm w Large Bucket HI-LIFT - High Lift Arm S HI-LIFT - Super High Lift Arm
 SU - Semi-U Dozer PAT - Power Angle Power Tilt MP - Mulit-Purpose

Replacement Kits For

KOMATSU

Excavators								
APPLICATION	CYL #	SERIAL #	Misc	CODE	ROD	BORE	KIT #	List \$
MODEL PC75UU-3								
ARM	21W-63-02322	15001-		P-U-14	65 mm	110 mm	KOM-707-98-36630	119.29
BLADE	21W-63-02051	15001-19000		P-U-14	70 mm	130 mm	KOM-707-98-43510	457.33
	21W-63-02052	19001-		P-U-14	70 mm	130 mm	KOM-707-98-43510	457.33
BOOM	21W-63-02360	15001-		P-U-14	70 mm	120 mm	KOM-707-98-43210	138.56
BOOM OFFSET	21W-63-02161	15001-		P-U-14	55 mm	110 mm	KOM-707-98-34560	141.72
BUCKET	21W-63-02330	15001-		P-UB-14	55 mm	90 mm	KOM-707-98-26580	279.85
	21W-63-02690	16142-		P-UB-14	55 mm	90 mm	KOM-707-98-26580	279.85
TILT	21W-63-07110	15001-		P-U-10	40 mm	90 mm	KOM-707-98-22410	174.35
MODEL PC78MR-6								
ARM	707-00-0A640	1001-3460		P-U-14	60 mm	100 mm	KOM-707-98-35310	114.14
	707-00-0A641	3461-		P-U-14	60 mm	100 mm	KOM-707-98-35310	114.14
BLADE	707-00-0A660	1001-3034		P-U-14	65 mm	130 mm	KOM-707-98-42700	151.66
	707-00-0A661	3035-		P-U-14	65 mm	130 mm	KOM-707-98-42700	151.66
BOOM	707-00-0E250	1001-3460		P-U-14	65 mm	115 mm	KOM-707-98-36700	148.78
	707-00-0E251	3461-		P-U-14	65 mm	115 mm	KOM-707-98-36700	148.78
BOOM SWING	707-00-0E260	1001-3034		P-U-14	60 mm	120 mm	KOM-707-98-41330	138.41
	707-00-0E261	3035-		P-U-14	60 mm	120 mm	KOM-707-98-41330	138.41
BUCKET	707-00-0A650	1001-3460		P-U-14	55 mm	90 mm	KOM-707-98-26720	138.30
	707-00-0A651	3461-		P-U-14	55 mm	90 mm	KOM-707-98-26720	138.30
MODEL PC78US-5								
ARM	201-63-02511	1001-		P-U-14	60 mm	100 mm	KOM-707-98-35181	384.08
BLADE	21W-63-02052	1001-		P-U-14	70 mm	130 mm	KOM-707-98-43510	457.33
BOOM	21W-63-02574	1001-		P-U-14	70 mm	120 mm	KOM-707-98-43200	155.24
BUCKET	201-63-02520	1001-		P-UB-14	55 mm	90 mm	KOM-707-98-26580	279.85
MODEL PC78US-6								
ARM	707-00-0A640	4001-12048		P-U-14	60 mm	100 mm	KOM-707-98-35310	114.14
	707-00-0A641	12049-		P-U-14	60 mm	100 mm	KOM-707-98-35310	114.14
BLADE	707-00-0A660	4001-10418		P-U-14	65 mm	130 mm	KOM-707-98-42700	151.66
	707-00-0A661	10419-		P-U-14	65 mm	130 mm	KOM-707-98-42700	151.66
BOOM	707-00-0A630	4001-12048		P-U-14	65 mm	115 mm	KOM-707-98-36700	148.78
	707-00-0A631	12049-		P-U-14	65 mm	115 mm	KOM-707-98-36700	148.78
BUCKET	707-00-0A650	4001-12048		P-U-14	55 mm	90 mm	KOM-707-98-26720	138.30
	707-00-0A651	12049-		P-U-14	55 mm	90 mm	KOM-707-98-26720	138.30
TRACK ADJUSTER		4001-5591		TRK ADJ			KOM-SK100169	61.92
		4001-5591	kit w/ valve	TRK ADJ			KOM-SK100150	261.59
MODEL PC88MR-8								
ANGLE	707-00-0H740	A90001-		P-U-14	60 mm	100 mm	KOM-707-98-35310	114.14
	707-00-0J640	5001-		P-U-14	45 mm	90 mm	KOM-707-98-24800	93.70
ARM	707-00-0H740	5001-		P-U-14	60 mm	100 mm	KOM-707-98-35310	114.14
BLADE	707-00-0H780	5001-		P-U-14	65 mm	130 mm	KOM-707-98-42700	151.66
	707-00-0H780	A90001-		P-U-14	65 mm	130 mm	KOM-707-98-42700	151.66
BLADE (PAT)	707-00-0J650	5001-		P-U-14	65 mm	140 mm	KOM-707-98-51140	145.09
BOOM	707-00-0H730	5001-		P-U-14	65 mm	115 mm	KOM-707-98-36700	148.78
	707-00-0H730	A90001-		P-U-14	65 mm	115 mm	KOM-707-98-36700	148.78
BOOM SWING	707-00-0H770	5001-		P-U-14	60 mm	120 mm	KOM-707-98-41350	109.97
BUCKET	707-00-0H751	5001-		P-U-14	55 mm	90 mm	KOM-707-98-26720	138.30
	707-00-0H751	A90001-		P-U-14	55 mm	90 mm	KOM-707-98-26720	138.30
TRACK ADJUSTER		5001-		TRK ADJ			KOM-SK100170	128.48
		5001-	kit w/ valve	TRK ADJ			KOM-SK100151	293.87
MODEL PC95R-2								
ARM	226-61-11400	21D5220114-		P-UB-14	60 mm	100 mm	KOM-878000425	336.06
		21D5220430						
	707-01-0S650	21D5220431-		P-UB-14	60 mm	100 mm	KOM-707-99-35310	613.72
ARM (2pc Boom)	21D-61-12300	21D5220114-		P-UB-14	60 mm	100 mm	KOM-878000425	336.06
		21D5220430						
	707-01-0S650	21D5220431-		P-UB-14	60 mm	100 mm	KOM-707-99-35310	613.72

LT - Large size tire L/S - Loading Shovel SLF - Super Long Front B/H - Backhoe HD - Heavy Duty L BUCKET - Large Bucket
K-LINK - K-type Linkage Blade LB HI-LIFT - High Lift Arm w Large Bucket HI-LIFT - High Lift Arm S HI-LIFT - Super High Lift Arm
SU - Semi-U Dozer PAT - Power Angle Power Tilt MP - Multi-Purpose

KOMATSU

Replacement Kits For

Excavators								
APPLICATION	CYL #	SERIAL #	Misc	CODE	ROD	BORE	KIT #	List \$
MODEL PC95R-2								
BLADE	226-61-11600	21D5220114- 21D5220430		P-UB-14	60 mm	120 mm	KOM-878000365	426.06
	707-01-0S620	21D5220431-		P-UB-14	60 mm	120 mm	KOM-707-99-41300	526.68
BOOM	226-31-11200	21D5220114- 21D5220430		P-UB-14	70 mm	120 mm	KOM-878000607	378.41
	707-01-0S640	21D5220431-		P-UB-14	70 mm	120 mm	KOM-707-99-43300	688.74
BOOM LH	226-61-11340	21D5220114- 21D5220430		P-UB-14	50 mm	90 mm	KOM-878000608	247.79
	707-01-0S670	21D5220431-		P-UB-14	50 mm	90 mm	KOM-707-99-25700	486.09
BOOM RH	226-61-11300	21D5220114- 21D5220430		P-UB-14	50 mm	90 mm	KOM-878000608	247.79
	707-01-0S670	21D5220431-		P-UB-14	50 mm	90 mm	KOM-707-99-25700	486.09
BOOM SWING	226-61-11100	21D5220114- 21D5220430		P-UB-14	60 mm	100 mm	KOM-21D-61-14140	409.80
	707-01-0S610	21D5220431-		P-UB-14	60 mm	100 mm	KOM-707-99-35300	578.03
BUCKET	226-61-11500	21D5220114- 21D5220430		P-UB-14	60 mm	90 mm	KOM-21D-61-13160	310.43
	707-01-0S690	21D5220431-		P-UB-14	60 mm	90 mm	KOM-707-99-27650	429.07
MODEL PC100-6								
ARM	202-63-02322	40001-44999		P-UB-14	75 mm	115 mm	KOM-707-99-44200	265.95
	202-63-07720	45000-		P-UB-14	75 mm	115 mm	KOM-707-99-44220	199.32
BOOM	202-63-02303	40001-44999		P-UB-14	65 mm	95 mm	KOM-707-98-36200	482.54
BUCKET	202-63-02332	40001-44999		P-UB-14	60 mm	90 mm	KOM-707-98-27600	388.25
	202-63-07730	45000-		P-UB-14	60 mm	90 mm	KOM-707-98-27620	266.36
MODEL PC120-6								
ARM	203-63-02322	45001-56999		P-UB-14	75 mm	115 mm	KOM-707-99-44200	265.95
	203-63-02322	45001-56999		Bushing	75 mm		KOM-707-52-90500	38.12
BOOM	203-63-02303	45001-56999		P-UB-14	70 mm	105 mm	KOM-707-98-37620	291.74
	203-63-02303	45001-56999		Bushing	70 mm		KOM-707-52-90450	34.45
BUCKET	203-63-02332	45001-56999		P-UB-14	65 mm	95 mm	KOM-707-98-36210	413.26
	203-63-02332	45001-56999		Bushing	65 mm		KOM-707-52-90400	30.52
MODEL PC128US-2								
ARM	203-63-02721	5001-		P-UB-14	75 mm	115 mm	KOM-707-99-44220	199.32
	203-63-02722	5001-		P-UB-14	75 mm	115 mm	KOM-707-98-44310	196.62
BLADE LH	22B-63-02450	5001-		P-UB-14	75 mm	115 mm	KOM-707-99-44270	182.76
BLADE RH	22B-63-02460	5001-		P-UB-14	75 mm	115 mm	KOM-707-99-44270	182.76
BOOM	22B-63-02500	5001-		P-UB-14	70 mm	105 mm	KOM-707-99-37230	236.44
BOOM LH	22B-63-02400	5001-		P-UB-14	70 mm	105 mm	KOM-707-99-37230	236.44
BOOM RH	22B-63-02410	5001-		P-UB-14	70 mm	105 mm	KOM-707-99-37230	236.44
BUCKET	203-63-02731	5001-		P-UB-14	65 mm	95 mm	KOM-707-98-36240	265.59
MODEL PC128UU								
ARM	21Y-53-02121	1001-		P-UB-14	75 mm	115 mm	KOM-707-99-44310	418.16
BOOM	21Y-63-02101	1001-		P-UB-14	70 mm	105 mm	KOM-707-98-37620	291.74
BUCKET	21Y-63-02131	1001-		P-UB-14	60 mm	90 mm	KOM-707-98-27600	388.25
MODEL PC128UU-2								
ARM	21Y-63-02720	5001-		P-UB-14	75 mm	115 mm	KOM-707-99-44280	188.57
BOOM	21Y-63-02700	5001-		P-UB-14	70 mm	105 mm	KOM-707-98-37670	224.85
BUCKET	21Y-63-02730	5001-		P-UB-14	60 mm	90 mm	KOM-707-98-27620	266.36
OFFSET	21Y-63-09140	5001-		P-U-14	70 mm	130 mm	KOM-707-98-43530	375.68
MODEL PC130-6								
ARM	203-63-02321	45001-47712		P-UB-14	75 mm	115 mm	KOM-707-99-44200	265.95
	203-63-02321	45001-47712		Bushing	75 mm		KOM-707-52-90500	38.12
	203-63-02322	47713-50999		P-UB-14	75 mm	115 mm	KOM-707-99-44200	265.95
	203-63-02322	47713-50999		Bushing	75 mm		KOM-707-52-90500	38.12
	203-63-02721	51000-51134		P-UB-14	75 mm	115 mm	KOM-707-99-44220	199.32
	203-63-02722	51135-		P-UB-14	75 mm	115 mm	KOM-707-99-44230	199.32
	203-63-07720	51000-51134		P-UB-14	75 mm	115 mm	KOM-707-99-44220	199.32

LT - Large size tire L/S - Loading Shovel SLF - Super Long Front B/H - Backhoe HD - Heavy Duty L BUCKET - Large Bucket
K-LINK - K-type Linkage Blade LB HI-LIFT - High Lift Arm w Large Bucket HI-LIFT - High Lift Arm S HI-LIFT - Super High Lift Arm
SU - Semi-U Dozer PAT - Power Angle Power Tilt MP - Mult-Purpose

FORMERLY LISTED REPAIR PARTS ARE AVAILABLE ONLINE AT WWW.HERCULESUS.COM
OR BY CONTACTING YOUR REGIONAL HERCULES SALES TEAM.

Replacement Kits For

KOMATSU

Excavators								
APPLICATION	CYL #	SERIAL #	Misc	CODE	ROD	BORE	KIT #	List \$
MODEL PC130-6								
ARM	203-63-07721	51135-		P-UB-14	75 mm	115 mm	KOM-707-99-44230	199.32
BOOM	203-63-02302	45001-47712		P-UB-14	70 mm	105 mm	KOM-707-98-37620	291.74
	203-63-02302	45001-47712		Bushing	70 mm		KOM-707-52-90450	34.45
	203-63-02303	47713-50999		P-UB-14	70 mm	105 mm	KOM-707-98-37620	291.74
	203-63-02303	47713-50999		Bushing	70 mm		KOM-707-52-90450	34.45
	203-63-02701	51000-		P-UB-14	70 mm	105 mm	KOM-707-98-37670	224.85
	203-63-02900	51000-		P-UB-14	70 mm	105 mm	KOM-707-99-37230	236.44
BUCKET	203-63-02331	45001-47712		P-UB-14	65 mm	95 mm	KOM-707-98-36210	413.26
	203-63-02331	45001-47712		Bushing	65 mm		KOM-707-52-90400	30.52
	203-63-02332	47713-50999		P-UB-14	65 mm	95 mm	KOM-707-98-36210	413.26
	203-63-02332	47713-50999		Bushing	65 mm		KOM-707-52-90400	30.52
	203-63-02731	51000-		P-UB-14	65 mm	95 mm	KOM-707-98-36240	265.59
	203-63-07730	51000-		P-UB-14	65 mm	95 mm	KOM-707-98-36240	265.59
MODEL PC130-7K								
ARM	707-01-0F030	70001-		P-UB-14	75 mm	115 mm	KOM-707-99-44340	203.72
BLADE LH	22B-63-02450	70001-		P-UB-14	75 mm	115 mm	KOM-707-99-44270	182.76
BLADE RH	22B-63-02460	70001-		P-UB-14	75 mm	115 mm	KOM-707-99-44270	182.76
BOOM	707-01-0G070	70001-		P-UB-14	70 mm	105 mm	KOM-707-99-37310	190.88
	707-01-0G230	70001-		P-UB-14	70 mm	105 mm	KOM-707-99-37300	179.26
BOOM ADJUST	20E-63-K2500	70001-		P-UB-14	70 mm	140 mm	KOM-20E-63-K2500K	180.81
BOOM LIFT	20E-63-03240	70001-		P-UB-14	70 mm	105 mm	KOM-20E-63-03240K	226.52
BUCKET	707-01-0F040	70001-		P-UB-14	65 mm	95 mm	KOM-707-99-25870	264.81
MODEL PC138USLC-2								
ARM	203-63-02722	1001-		P-UB-14	75 mm	115 mm	KOM-707-98-44310	196.62
	707-01-0G140	1501-		P-UB-14	75 mm	115 mm	KOM-707-99-44380	190.95
BLADE LH	22B-63-02450	1029-		P-UB-14	75 mm	115 mm	KOM-707-99-44270	182.76
	707-01-0G160	1501-		P-UB-14	75 mm	115 mm	KOM-707-99-44290	174.34
BLADE RH	22B-63-02460	1029-		P-UB-14	75 mm	115 mm	KOM-707-99-44270	182.76
	707-01-0G170	1501-		P-UB-14	75 mm	115 mm	KOM-707-99-44290	174.34
BOOM	22B-63-02500	1001-		P-UB-14	70 mm	105 mm	KOM-707-99-37230	236.44
	707-01-0G120	1501-		P-UB-14	70 mm	105 mm	KOM-707-99-37340	191.72
BUCKET	22B-63-02240	1001-		P-UB-14	65 mm	100 mm	KOM-707-99-36300	253.80
	707-01-0G150	1501-		P-UB-14	65 mm	100 mm	KOM-707-99-36330	229.51
TRACK ADJUSTER		1501-		TRK ADJ			KOM-SK100171	164.44
		1501-	kit w/ valve	TRK ADJ			KOM-SK100152	307.34
MODEL PC138USLC-8								
ARM	707-01-0L680	20001-24509		P-UB-14	75 mm	110 mm	KOM-707-99-38780	169.00
	707-01-0L680	20001-24509		Bushing	75 mm		KOM-707-52-90500	38.12
	707-01-0L680	24150-25966	4600m	P-UB-14	75 mm	110 mm	KOM-707-99-38780	169.00
	707-01-0L680	24150-25966	4600m	Bushing	75 mm		KOM-707-52-90501	15.43
	707-01-0L681	25967-	4600m	P-UB-14	75 mm	110 mm	KOM-707-99-38820	227.86
	707-01-0L681	25967-	4600m	Bushing	75 mm		KOM-707-52-90501	15.43
BLADE	707-01-XL700	20001-24509		P-UB-14	75 mm	110 mm	KOM-707-99-38790	158.06
	707-01-XL700	20001-24509		Bushing	75 mm		KOM-707-52-90500	38.12
BLADE LH	707-01-0L700	24510-		P-UB-14	75 mm	110 mm	KOM-707-99-38790	158.06
	707-01-0L700	24510-		Bushing	75 mm		KOM-707-52-90501	15.43
BLADE RH	707-01-0L710	24510-		P-UB-14	75 mm	110 mm	KOM-707-99-38790	158.06
	707-01-0L710	24510-		Bushing	75 mm		KOM-707-52-90501	15.43
BOOM	707-01-0L660	20001-24509		P-UB-14	70 mm	105 mm	KOM-707-99-37170	172.82
	707-01-0L660	20001-24509		Bushing	70 mm		KOM-707-52-90470	32.40
BOOM LH	707-01-0L660	24510-		P-UB-14	70 mm	105 mm	KOM-707-99-37170	172.82
	707-01-0L660	24510-		Bushing	70 mm		KOM-707-52-90471	32.40
BOOM RH	707-01-0L660	24510-		P-UB-14	70 mm	105 mm	KOM-707-99-37170	172.82
	707-01-0L660	24510-		Bushing	70 mm		KOM-707-52-90471	32.40
BUCKET	707-01-0L691	20001-24509		P-UB-14	65 mm	95 mm	KOM-707-99-27780	177.87

LT - Large size tire L/S - Loading Shovel SLF - Super Long Front B/H - Backhoe HD - Heavy Duty L BUCKET - Large Bucket
 K-LINK - K-type Linkage Blade LB HI-LIFT - High Lift Arm w Large Bucket HI-LIFT - High Lift Arm S HI-LIFT - Super High Lift Arm
 SU - Semi-U Dozer PAT - Power Angle Power Tilt MP - Multi-Purpose

KOMATSU

Replacement Kits For

Excavators								
APPLICATION	CYL #	SERIAL #	Misc	CODE	ROD	BORE	KIT #	List \$
MODEL PC138USLC-8								
BUCKET	707-01-0L691	20001-24509		Bushing	65 mm		KOM-707-52-90420	29.33
	707-01-0L691	24510-		P-UB-14	65 mm	95 mm	KOM-707-99-27780	177.87
	707-01-0L691	24510-		Bushing	65 mm		KOM-707-52-90421	29.33
MODEL PC138USLC-10								
ARM	707-E1-02090	40001-		P-UB-14	75 mm	110 mm	KOM-707-99-39770	376.36
BLADE LH	707-E1-02110	40001-		P-UB-14	75 mm	110 mm	KOM-707-99-39790	257.35
BLADE RH	707-E1-02120	40001-		P-UB-14	75 mm	110 mm	KOM-707-99-39790	257.35
BOOM LH	707-E1-02130	40001-		P-UB-14	70 mm	105 mm	KOM-707-99-37740	400.38
BOOM RH	707-E1-02130	40001-		P-UB-14	70 mm	105 mm	KOM-707-99-37740	400.38
BUCKET	707-E1-02100	40001-40697		P-UB-14	65 mm	95 mm	KOM-707-99-25790	336.88
	707-E1-02101	40698-		P-UB-14	65 mm	95 mm	KOM-707-99-25790	336.88
MODEL PC138USLC-11								
ARM	707-E1-02090	50001-		P-UB-14	75 mm	110 mm	KOM-721-98-01520	633.06
	707-E1-02090	50001-		Bushing	75 mm		KOM-707-52-90501	15.43
BLADE LH	707-E1-02110	50001-		P-UB-14	75 mm	110 mm	KOM-721-98-01540	497.02
	707-E1-02110	50001-		Bushing	75 mm		KOM-707-52-90501	15.43
BLADE RH	707-E1-02120	50001-		P-UB-14	75 mm	110 mm	KOM-721-98-01540	497.02
	707-E1-02120	50001-		Bushing	75 mm		KOM-707-52-90501	15.43
BOOM LH	707-E1-02130	50001-		P-UB-14	70 mm	105 mm	KOM-721-98-01120	602.27
	707-E1-02130	50001-		P-UB-14	70 mm	105 mm	KOM-707-99-37740	400.38
	707-E1-02130	50001-		Bushing	70 mm		KOM-707-52-90471	32.40
BOOM RH	707-E1-02130	50001-		P-UB-14	70 mm	105 mm	KOM-721-98-01120	602.27
	707-E1-02130	50001-		P-UB-14	70 mm	105 mm	KOM-707-99-37740	400.38
	707-E1-02130	50001-		Bushing	70 mm		KOM-707-52-90471	32.40
BUCKET	707-G1-03380	50001-		P-UB-14	65 mm	95 mm	KOM-721-98-01530	525.89
	707-G1-03380	50001-		Bushing	65 mm		KOM-707-52-90421	29.33
TRACK ADJUSTER		50001-		TRK ADJ			KOM-SK100171	164.44
		50001-	w/ valve	TRK ADJ			KOM-SK100152	307.34
MODEL PC150-5								
ARM	21K-63-02120	6001-		P-UB-14	85 mm	120 mm	KOM-707-99-46200	578.00
BOOM	21K-63-02100	6001-		P-UB-14	75 mm	110 mm	KOM-707-98-38520	237.38
BUCKET	21K-63-02130	6001-		P-UB-14	70 mm	100 mm	KOM-707-98-37110	345.47
MODEL PC150-6K, PC150LC-6K								
ARM	21P-63-03120	K30667-		P-UB-14	85 mm	120 mm	KOM-21P-63-03120K	234.10
	21P-63-K1711	K30001-K30666		P-UB-14	85 mm	120 mm	KOM-21P-63-K1711K	321.84
ARM (2pc Boom)	21P-63-03120	K32001-		P-UB-14	85 mm	120 mm	KOM-21P-63-03120K	234.10
BOOM	21P-63-03200	K32001-		P-UB-14	75 mm	110 mm	KOM-21P-63-03200K	152.54
	21P-63-K1611	K30001-K31999		P-UB-14	75 mm	110 mm	KOM-21P-63-K1611K	146.17
BOOM (2pc - 1st Cyl)	20G-63-03240	K32001-		P-UB-14	85 mm	120 mm	KOM-20G-63-03240K	232.84
BOOM (2pc - 2nd Cyl)	20G-63-K1110	K32001-		P-UB-14	100 mm	160 mm	KOM-20G-63-K1110K	550.57
BUCKET	21P-63-03130	K30667-	LC-6K	P-UB-14	70 mm	105 mm	KOM-21P-63-03130K	224.95
	21P-63-K1821	K30001-	PC150-6K	P-UB-14	75 mm	110 mm	KOM-21P-63-K1821K	202.90
	21P-63-K3600	K30001-K30666	LC-6K	P-UB-12	70 mm	105 mm	KOM-21P-63-K3600K	273.94
MODEL PC160-6K								
ARM (1 & 2pc Boom)	21P-63-K1711	K30001-K30197		P-UB-14	85 mm	120 mm	KOM-21P-63-K1711K	321.84
ARM (2pc Boom)	21P-63-03120	K30198-		P-UB-14	85 mm	120 mm	KOM-21P-63-03120K	234.10
BOOM	21P-63-03200	K32001-		P-UB-14	75 mm	110 mm	KOM-21P-63-03200K	152.54
	21P-63-K1611	K30001-K31999		P-UB-14	75 mm	110 mm	KOM-21P-63-K1611K	146.17
BOOM (2pc - 1st Cyl)	20G-63-03240	K32001-		P-UB-14	85 mm	120 mm	KOM-20G-63-03240K	232.84
	20G-63-K1410	K30001-K31999		P-UB-14	85 mm	120 mm	KOM-20G-63-K1410K	222.12
BOOM (2pc - 2nd Cyl)	20G-63-K1110	K30001-		P-UB-14	100 mm	160 mm	KOM-20G-63-K1110K	550.57
BUCKET	21P-63-03130	K30198-		P-UB-14	70 mm	105 mm	KOM-21P-63-03130K	224.95
	21P-63-K3600	K30001-K30197		P-UB-12	70 mm	105 mm	KOM-21P-63-K3600K	273.94
MODEL PC160LC-7								
ARM	707-01-0E510	10001-, K40001-		P-UB-14	85 mm	120 mm	KOM-707-99-46320	638.57

LT - Large size tire L/S - Loading Shovel SLF - Super Long Front B/H - Backhoe HD - Heavy Duty L BUCKET - Large Bucket
K-LINK - K-type Linkage Blade LB HI-LIFT - High Lift Arm w Large Bucket HI-LIFT - High Lift Arm S HI-LIFT - Super High Lift Arm
SU - Semi-U Dozer PAT - Power Angle Power Tilt MP - Mulit-Purpose

FORMERLY LISTED REPAIR PARTS ARE AVAILABLE ONLINE AT WWW.HERCULESUS.COM
OR BY CONTACTING YOUR REGIONAL HERCULES SALES TEAM.



Replacement Kits For

KOMATSU

Excavators								
APPLICATION	CYL #	SERIAL #	Misc	CODE	ROD	BORE	KIT #	List \$
MODEL PC160LC-7								
BOOM	707-01-0E490	10001-, K40001-		P-UB-14	75 mm	110 mm	KOM-707-99-38720	544.02
BUCKET	707-01-0E520	10001-10408, K40001-		P-UB-14	70 mm	105 mm	KOM-707-99-37290	530.80
	707-01-0H390	10409-		P-UB-14	70 mm	105 mm	KOM-707-99-37290	530.80
MODEL PC160LC-7-E0								
ARM	707-01-0L120	K45001-		P-UB-14	85 mm	120 mm	KOM-707-99-46420	235.19
BOOM	707-01-0L100	20001-, K45001-		P-UB-14	75 mm	110 mm	KOM-707-99-38760	200.25
BUCKET	707-01-0L130	20001-		P-UB-14	70 mm	105 mm	KOM-707-99-37150	262.33
	707-01-0L500	20001-, K45001-		P-UB-14	70 mm	105 mm	KOM-707-99-37150	262.33
MODEL PC160LC-7K								
ARM	707-01-0E510	K40001-		P-UB-14	85 mm	120 mm	KOM-707-99-46320	638.57
BOOM	707-01-0E490	K40001-		P-UB-14	75 mm	110 mm	KOM-707-99-38720	544.02
BUCKET	707-01-0E520	K40001-		P-UB-14	70 mm	105 mm	KOM-707-99-37290	530.80
MODEL PC160LC-7K-KA								
ARM	707-01-0E510	K40001-		P-UB-14	85 mm	120 mm	KOM-707-99-46320	638.57
	707-01-0E510	K40001-		Bushing	85 mm		KOM-707-52-90610	48.79
BOOM	707-01-0E490	K40001-		P-UB-14	75 mm	110 mm	KOM-707-99-38720	544.02
	707-01-0E490	K40001-		Bushing	75 mm		KOM-707-52-90500	38.12
BUCKET	707-01-0E520	K40001-		P-UB-14	70 mm	105 mm	KOM-707-99-37290	530.80
	707-01-0E520	K40001-		Bushing	70 mm		KOM-707-52-90470	32.40
MODEL PC160LC-8								
ARM	707-01-0L120	25001-		P-UB-14	85 mm	120 mm	KOM-707-99-46420	235.19
	707-01-0L120	25001-		Bushing	85 mm		KOM-707-52-90610	48.79
	707-01-0L120	C20001-		P-UB-14	85 mm	120 mm	KOM-707-99-46420	235.19
	707-01-0L120	C20001-		Bushing	85 mm		KOM-707-52-90610	48.79
	707-01-XYK30	B30001-		P-UB-14	85 mm	120 mm	KOM-707-99-46420	235.19
	707-01-XYK30	B30001-		Bushing	85 mm		KOM-707-52-90610	48.79
BOOM LH	707-01-0L100	25001-		P-UB-14	75 mm	110 mm	KOM-707-99-38760	200.25
	707-01-0L100	25001-		Bushing	75 mm		KOM-707-52-90500	38.12
	707-01-0L100	C20001-		P-UB-14	75 mm	110 mm	KOM-707-99-38760	200.25
	707-01-0L100	C20001-		Bushing	75 mm		KOM-707-52-90500	38.12
	707-01-XYK40	B30001-		P-UB-14	75 mm	110 mm	KOM-707-99-38760	200.25
	707-01-XYK40	B30001-		Bushing	75 mm		KOM-707-52-90500	38.12
BOOM RH	707-01-0L100	25001-		P-UB-14	75 mm	110 mm	KOM-707-99-38760	200.25
	707-01-0L100	25001-		Bushing	75 mm		KOM-707-52-90500	38.12
	707-01-0L100	C20001-		P-UB-14	75 mm	110 mm	KOM-707-99-38760	200.25
	707-01-0L100	C20001-		Bushing	75 mm		KOM-707-52-90500	38.12
	707-01-XYK20	B30001-		P-UB-14	75 mm	110 mm	KOM-707-99-38760	200.25
	707-01-XYK20	B30001-		Bushing	75 mm		KOM-707-52-90500	38.12
BUCKET	707-01-0L500	25001-	2.25m to 2.9m Arm	P-UB-14	70 mm	105 mm	KOM-707-99-37150	262.33
	707-01-0L500	25001-	2.25m to 2.9m Arm	Bushing	70 mm		KOM-707-52-90471	32.40
	707-01-0L500	C20001-	Arm, 2.6m	P-UB-14	70 mm	105 mm	KOM-707-99-37150	262.33
	707-01-0L500	C20001-	Arm, 2.6m	Bushing	70 mm		KOM-707-52-90471	32.40
	707-01-XYK50	B30001-		P-UB-14	70 mm	105 mm	KOM-707-99-37150	262.33
MODEL PC170LC-10								
ARM	707-E1-02610	30001-		P-UB-14	85 mm	120 mm	KOM-707-99-47080	473.25
	707-E1-02610	30001-		Bushing	85 mm		KOM-707-52-90611	48.79
BOOM	707-E1-02550	30001-		P-UB-14	75 mm	110 mm	KOM-707-99-39650	298.13
	707-E1-02550	30001-		Bushing	75 mm		KOM-707-52-90501	15.43
BUCKET	707-E1-02640	30001-		P-UB-14	70 mm	105 mm	KOM-707-99-37770	333.72
	707-E1-02640	30001-		Bushing	70 mm		KOM-707-52-90471	32.40
MODEL PC170LC-11								
ARM	707-E1-02610	35001-		P-UB-14	85 mm	120 mm	KOM-707-99-47080	473.25
	707-E1-02610	35001-		Bushing	85 mm		KOM-707-52-90611	48.79

LT - Large size tire L/S - Loading Shovel SLF - Super Long Front B/H - Backhoe HD - Heavy Duty L BUCKET - Large Bucket
 K-LINK - K-type Linkage Blade LB HI-LIFT - High Lift Arm w Large Bucket HI-LIFT - High Lift Arm S HI-LIFT - Super High Lift Arm
 SU - Semi-U Dozer PAT - Power Angle Power Tilt MP - Multi-Purpose

KOMATSU

Replacement Kits For

Excavators									
APPLICATION	CYL #	SERIAL #	Misc	CODE	ROD	BORE	KIT #	List \$	
MODEL PC170LC-11									
BOOM LH	707-E1-02550	35001-		P-UB-14	75 mm	110 mm	KOM-707-99-39650	298.13	
	707-E1-02550	35001-		Bushing	75 mm		KOM-707-52-90501	15.43	
BOOM RH	707-E1-02550	35001-		P-UB-14	75 mm	110 mm	KOM-707-99-39650	298.13	
	707-E1-02550	35001-		Bushing	75 mm		KOM-707-52-90501	15.43	
BUCKET	707-E1-02640	35001-		P-UB-14	70 mm	105 mm	KOM-707-99-37770	333.72	
	707-E1-02640	35001-		Bushing	70 mm		KOM-707-52-90471	32.40	
TRACK ADJUSTER	20Y-30-00660	35001-		TRK ADJ			KOM-SK100173	164.01	
	20Y-30-00660	35001-		TRK ADJ			KOM-SK100154	245.38	
MODEL PC180LC-6K									
ARM	21P-63-K1711	K30001-		P-UB-14	85 mm	120 mm	KOM-21P-63-K1711K	321.84	
BOOM LH	21P-63-K1611	K30001-		P-UB-14	75 mm	110 mm	KOM-707-98-38520	237.38	
BOOM RH	21P-63-K1611	K30001-		P-UB-14	75 mm	110 mm	KOM-707-98-38520	237.38	
BUCKET	21P-63-K3600	K30001-		P-UB-14	70 mm	105 mm	KOM-707-98-37620	291.74	
MODEL PC180LC-7K									
ARM	707-01-0E510	K40001-		P-UB-14	85 mm	120 mm	KOM-707-99-46320	638.57	
BOOM	707-01-0E490	K40001-		P-UB-14	75 mm	110 mm	KOM-707-99-38720	544.02	
BUCKET	707-01-0E520	K40001-		P-UB-14	70 mm	105 mm	KOM-707-99-37290	530.80	
MODEL PC180NLC-6K									
ARM	21P-63-K1711	K30001-		P-UB-14	85 mm	120 mm	KOM-21P-63-K1711K	321.84	
BOOM LH	21P-63-K1611	K30001-		P-UB-14	75 mm	110 mm	KOM-707-98-38520	237.38	
BOOM RH	21P-63-K1611	K30001-		P-UB-14	75 mm	110 mm	KOM-707-98-38520	237.38	
BUCKET	21P-63-K3600	K30001-		P-UB-14	70 mm	105 mm	KOM-707-98-37620	291.74	
MODEL PC180NLC-7K									
ARM	707-01-0E510	K40001-		P-UB-14	85 mm	120 mm	KOM-707-99-46320	638.57	
BOOM	707-01-0E490	K40001-		P-UB-14	75 mm	110 mm	KOM-707-99-38720	544.02	
BUCKET	707-01-0E520	K40001-		P-UB-14	70 mm	105 mm	KOM-707-99-37290	530.80	
MODEL PC200-2									
BUCKET	206-63-75141			P-U-14	80 mm	130 mm	KOM-707-98-45700	477.60	
MODEL PC200-6									
ARM	205-63-02521	80001-84384		P-UB-14	95 mm	135 mm	KOM-707-99-57200	475.80	
	205-63-02521	80001-84384		Bushing	95 mm		KOM-707-52-90710	67.11	
	205-63-02521	A80001-, A82001-		P-UB-14	95 mm	135 mm	KOM-707-99-57200	475.80	
	205-63-02521	A80001-, A82001-		Bushing	95 mm		KOM-707-52-90710	67.11	
	205-63-02522	84385-		P-UB-14	95 mm	135 mm	KOM-707-99-57200	475.80	
	205-63-02522	84385-		Bushing	95 mm		KOM-707-52-90710	67.11	
BOOM	205-63-02501	80001-84384		P-UB-14	85 mm	120 mm	KOM-707-99-46600	358.77	
	205-63-02501	80001-84384		Bushing	85 mm		KOM-707-52-90600	52.10	
	205-63-02502	84385-		P-UB-14	85 mm	120 mm	KOM-707-99-46600	358.77	
	205-63-02502	84385-		Bushing	85 mm		KOM-707-52-90600	52.10	
	206-63-02501	A80001-, A82001-		P-UB-14	90 mm	130 mm	KOM-707-99-47600	390.55	
	206-63-02501	A80001-, A82001-		Bushing	90 mm		KOM-707-52-90650	60.09	
BUCKET	20Y-63-03101	96514-		P-UB-14	85 mm	120 mm	KOM-707-99-46270	371.72	
	205-63-02130	A80001-, A82001-		P-UB-14	80 mm	115 mm	KOM-707-98-45220	537.56	
	205-63-02130	A80001-, A82001-		Bushing	80 mm		KOM-707-52-90550	47.76	
	205-63-02131	80001-84384		P-UB-14	80 mm	115 mm	KOM-707-98-45220	537.56	
	205-63-02131	80001-84384		Bushing	80 mm		KOM-707-52-90550	47.76	
	205-63-02132	84385-		P-UB-14	80 mm	115 mm	KOM-707-98-45220	537.56	
	205-63-02132	84385-		Bushing	80 mm		KOM-707-52-90550	47.76	
	205-63-02140	A80001-, A82001-		P-UB-14	85 mm	125 mm	KOM-205-63-02140K	310.13	
	205-63-02140	A80001-, A82001-		Bushing	85 mm		KOM-707-52-90600	52.10	
	MODEL PC200-6S, PC200LC-6S								
	ARM	205-63-03122	C10001-		P-UB-14	95 mm	135 mm	KOM-707-99-57250	475.80
	BOOM	205-63-03101	C10001-		P-UB-14	85 mm	120 mm	KOM-707-99-46270	371.72
205-63-07240		C10001-		P-UB-14	85 mm	120 mm	KOM-707-99-46270	371.72	
BOOM (2pc - 1st Cyl)	205-63-03300	C10001-		P-UB-14	85 mm	120 mm	KOM-707-99-46270	371.72	
BOOM (2pc - 2nd Cyl)	205-63-02821	C10001-		P-UB-14	110 mm	160 mm	KOM-707-99-67610	540.18	

LT - Large size tire L/S - Loading Shovel SLF - Super Long Front B/H - Backhoe HD - Heavy Duty L BUCKET - Large Bucket
K-LINK - K-type Linkage Blade LB HI-LIFT - High Lift Arm w Large Bucket HI-LIFT - High Lift Arm S HI-LIFT - Super High Lift Arm
SU - Semi-U Dozer PAT - Power Angle Power Tilt MP - Multi-Purpose

FORMERLY LISTED REPAIR PARTS ARE AVAILABLE ONLINE AT WWW.HERCULESUS.COM
OR BY CONTACTING YOUR REGIONAL HERCULES SALES TEAM.

KOMATSU

Replacement Kits For

Excavators								
APPLICATION	CYL #	SERIAL #	Misc	CODE	ROD	BORE	KIT #	List \$
MODEL PC200-6S, PC200LC-6S								
BUCKET	205-63-03131	C10001-		P-UB-14	80 mm	115 mm	KOM-707-98-45250	412.52
	205-63-03140	C10001-		P-UB-14	85 mm	125 mm	KOM-707-99-46290	592.30
	205-63-07132	C10001-		P-UB-14	80 mm	115 mm	KOM-707-98-45240	236.02
	205-63-07230	C10001-		P-UB-14	80 mm	115 mm	KOM-707-98-45250	412.52
	205-63-07280	C10001-		P-UB-14	85 mm	125 mm	KOM-707-99-46290	592.30
BUCKET (Demo Spec)	205-63-07290	C10001-		P-UB-14	80 mm	115 mm	KOM-707-98-45240	236.02
	206-63-03130	C10001-		P-UB-14	90 mm	130 mm	KOM-707-99-47670	593.76
	206-63-07290	C10001-		P-UB-14	90 mm	130 mm	KOM-707-99-47670	593.76
MODEL PC200-7, PC200LC-7								
ARM	707-01-0A310	200001-202830		P-UB-14	95 mm	135 mm	KOM-707-99-57160	398.27
	707-01-0A310	C70001-		P-UB-14	95 mm	135 mm	KOM-707-99-57160	398.27
	707-01-0A311	202831-		P-UB-14	95 mm	135 mm	KOM-707-99-57160	398.27
	707-01-0A312	205865-		P-UB-14	95 mm	135 mm	KOM-707-99-57160	398.27
	707-01-0C420	200001-202830		P-UB-14	95 mm	135 mm	KOM-707-99-57160	398.27
BOOM	707-01-0C421	202831-		P-UB-14	95 mm	135 mm	KOM-707-99-57160	398.27
	707-01-0A290	200001-		P-UB-14	85 mm	120 mm	KOM-707-99-46130	593.50
	707-01-0A290	C70001-		P-UB-14	85 mm	120 mm	KOM-707-99-46130	593.50
BOOM (Lrg Dia Type)	707-01-0C400	200001-		P-UB-14	85 mm	120 mm	KOM-707-99-46130	593.50
		C70001-		P-UB-14	90 mm	130 mm	KOM-707-99-47790	347.74
BUCKET	707-01-0A940	200001-	LC-7	P-UB-14	90 mm	130 mm	KOM-707-99-47790	347.74
	707-01-0A320	200001-		P-UB-14	80 mm	115 mm	KOM-707-99-45230	312.55
	707-01-0A320	C70001-		P-UB-14	80 mm	115 mm	KOM-707-99-45230	312.55
	707-01-0A321	205831-		P-UB-14	80 mm	115 mm	KOM-707-99-45230	312.55
	707-01-0A321	250001-254768	LC-7	P-UB-14	80 mm	115 mm	KOM-707-99-45230	312.55
	707-01-0C430	200001-		P-UB-14	80 mm	115 mm	KOM-707-99-45230	312.55
	707-01-0C431	205381-		P-UB-14	80 mm	115 mm	KOM-707-99-45230	312.55
	707-01-0C431	254769-	LC-7	P-UB-14	80 mm	115 mm	KOM-707-99-45230	312.55
	707-01-0C880	200001-		P-UB-14	85 mm	125 mm	KOM-707-99-46120	333.80
	707-01-0E081	250001-		P-UB-14	85 mm	125 mm	KOM-707-99-46120	333.80
	707-01-0G710	205865-		P-UB-14	85 mm	125 mm	KOM-707-99-46120	333.80
	707-01-0G871	255788-		P-UB-14	80 mm	115 mm	KOM-707-99-45230	312.55
MODEL PC200LC-6								
ARM	205-63-02521	80001-84384		P-UB-14	95 mm	135 mm	KOM-707-99-57200	475.80
	205-63-02521	A80001-, A82001-		P-UB-14	95 mm	135 mm	KOM-707-99-57200	475.80
	205-63-02522	84385-96513		P-UB-14	95 mm	135 mm	KOM-707-99-57200	475.80
	205-63-03121	96514-99471		P-UB-14	95 mm	135 mm	KOM-707-99-57250	475.80
	205-63-03122	99472-110674		P-UB-14	95 mm	135 mm	KOM-707-99-57270	594.99
BOOM	707-01-0E570	110675-		P-UB-14	95 mm	135 mm	KOM-707-99-57270	594.99
	205-63-02501	80001-84384		P-UB-14	85 mm	120 mm	KOM-707-99-46600	358.77
	205-63-02502	84385-96513		P-UB-14	85 mm	120 mm	KOM-707-99-46600	358.77
	205-63-02801	80001-96513		P-UB-14	85 mm	120 mm	KOM-707-99-46600	358.77
	205-63-03101	96514-		P-UB-14	85 mm	120 mm	KOM-707-99-46270	371.72
	205-63-03150	101894-		P-UB-14	90 mm	130 mm	KOM-707-99-47740	388.52
	205-63-03300	96514-		P-UB-14	85 mm	120 mm	KOM-707-99-46270	371.72
	205-63-07140	80001-96513		P-UB-14	85 mm	120 mm	KOM-707-99-46600	358.77
	205-63-07240	96514-		P-UB-14	85 mm	120 mm	KOM-707-99-46270	371.72
BUCKET	206-63-02501	A80001-, A82001-		P-UB-14	90 mm	130 mm	KOM-707-99-47600	390.55
	205-63-02130	A80001-, A82001-		P-UB-14	80 mm	115 mm	KOM-707-98-45220	537.56
	205-63-02131	80001-84384		P-UB-14	80 mm	115 mm	KOM-707-98-45220	537.56
	205-63-02132	84385-96513		P-UB-14	80 mm	115 mm	KOM-707-98-45220	537.56
	205-63-02140	80001-96513		P-UB-14	85 mm	125 mm	KOM-205-63-02140K	310.13
	205-63-02140	A80001-, A82001-		P-UB-14	85 mm	125 mm	KOM-205-63-02140K	310.13
	205-63-03131	94999-, 96514-		P-UB-14	80 mm	115 mm	KOM-707-98-45250	412.52
	205-63-03140	96514-		P-UB-14	85 mm	125 mm	KOM-707-99-46290	592.30
	205-63-07132	80001-		P-UB-14	80 mm	115 mm	KOM-707-98-45240	236.02

LT - Large size tire L/S - Loading Shovel SLF - Super Long Front B/H - Backhoe HD - Heavy Duty L BUCKET - Large Bucket
 K-LINK - K-type Linkage Blade LB HI-LIFT - High Lift Arm w Large Bucket HI-LIFT - High Lift Arm S HI-LIFT - Super High Lift Arm
 SU - Semi-U Dozer PAT - Power Angle Power Tilt MP - Multi-Purpose

KOMATSU

Replacement Kits For

Excavators								
APPLICATION	CYL #	SERIAL #	Misc	CODE	ROD	BORE	KIT #	List \$
MODEL PC200LC-6								
BUCKET	205-63-07230	94999-		P-UB-14	80 mm	115 mm	KOM-707-98-45250	412.52
	205-63-07280	94999-		P-UB-14	85 mm	125 mm	KOM-707-99-46290	592.30
	205-63-07290	94999-		P-UB-14	80 mm	115 mm	KOM-707-98-45240	236.02
BUCKET (Demo Spec)	206-63-02130	80001-96513		P-UB-14	90 mm	130 mm	KOM-707-98-47620	592.83
	206-63-03130	96514-		P-UB-14	90 mm	130 mm	KOM-707-99-47670	593.76
	206-63-07290	94999-		P-UB-14	90 mm	130 mm	KOM-707-99-47670	593.76
MODEL PC200LC-6LE								
ARM	205-63-03121	A83001-		P-UB-14	95 mm	135 mm	KOM-707-99-57250	475.80
BOOM LH	206-63-03200	A83001-		P-UB-14	90 mm	130 mm	KOM-707-99-47660	408.20
BOOM RH	206-63-03100	A83001-		P-UB-14	90 mm	130 mm	KOM-707-99-47660	408.20
BUCKET	205-63-03131	A83001-		P-UB-14	90 mm	130 mm	KOM-707-99-47670	593.76
	205-63-03140	A83001-		P-UB-14	85 mm	125 mm	KOM-707-99-46290	592.30
BUCKET (Demo Spec)	206-63-03130	A83001-		P-UB-14	90 mm	130 mm	KOM-707-99-47670	593.76
MODEL PC200LC-7L								
ARM	707-01-0A310	A86001-		P-UB-14	95 mm	135 mm	KOM-707-99-57160	398.27
BOOM (Lrg Dia Type)	707-01-0A940	A86001-		P-UB-14	90 mm	130 mm	KOM-707-99-47790	347.74
BUCKET	707-01-0A320	A86001-		P-UB-14	80 mm	115 mm	KOM-707-99-45230	312.55
TRACK ADJUSTER	A86001-		kit w/ valve	TRK ADJ			KOM-SK100153	140.30
	A86001-			TRK ADJ			KOM-SK100172	58.92
MODEL PC200LC-7-US								
ARM	707-01-0A310	200001-, C50001-		P-UB-14	95 mm	135 mm	KOM-707-99-57160	398.27
	707-01-0Z840	C70001-		P-UB-14	95 mm	135 mm	KOM-707-99-57160	398.27
BOOM	707-01-0A290	C70001-		P-UB-14	85 mm	120 mm	KOM-707-99-46130	593.50
BOOM (Lrg Dia Type)	707-01-0A940	200001-, C50001-		P-UB-14	90 mm	130 mm	KOM-707-99-47790	347.74
BUCKET	707-01-0A320	200001-, C50001-		P-UB-14	80 mm	115 mm	KOM-707-99-45230	312.55
MODEL PC200LC-8								
ARM	707-01-0H600	300001-		P-UB-14	95 mm	135 mm	KOM-707-98-48610	413.17
	707-01-0H600	A88001-		P-UB-14	95 mm	135 mm	KOM-707-98-48610	413.17
	707-01-0H600	C60001-		P-UB-14	95 mm	135 mm	KOM-707-98-48610	413.17
BOOM LH	707-01-0H580	300001-		P-UB-14	85 mm	120 mm	KOM-707-98-46280	270.20
	707-01-0H580	C60001-		P-UB-14	85 mm	120 mm	KOM-707-98-46280	270.20
	707-01-0H650	300001-		P-UB-14	90 mm	130 mm	KOM-707-98-47710	316.02
	707-01-0H650	A88001-		P-UB-14	90 mm	130 mm	KOM-707-98-47710	316.02
	707-01-0H650	C60001-		P-UB-14	90 mm	130 mm	KOM-707-98-47710	316.02
BOOM LH (Lrg Dia Type)	707-01-0H650	A88001-		P-UB-14	90 mm	130 mm	KOM-707-98-47710	316.02
BOOM RH	707-01-0H580	300001-		P-UB-14	85 mm	120 mm	KOM-707-98-46280	270.20
	707-01-0H580	C60001-		P-UB-14	85 mm	120 mm	KOM-707-98-46280	270.20
	707-01-0H650	300001-		P-UB-14	90 mm	130 mm	KOM-707-98-47710	316.02
	707-01-0H650	A88001-		P-UB-14	90 mm	130 mm	KOM-707-98-47710	316.02
	707-01-0H650	C60001-		P-UB-14	90 mm	130 mm	KOM-707-98-47710	316.02
BOOM RH (Lrg Dia Type)	707-01-0H650	A88001-		P-UB-14	90 mm	130 mm	KOM-707-98-47710	316.02
BUCKET	707-01-0H740	300001-		P-UB-14	80 mm	115 mm	KOM-707-98-39610	312.55
	707-01-0H740	A88001-		P-UB-14	80 mm	115 mm	KOM-707-98-39610	312.55
	707-01-0H740	C60001-		P-UB-14	80 mm	115 mm	KOM-707-98-39610	312.55
	707-01-0J270	A88001-		P-UB-14	80 mm	115 mm	KOM-707-98-39610	312.55
	TRACK ADJUSTER		A88001-		TRK ADJ		KOM-SK100173	164.01
		A88001-	kit w/ valve	TRK ADJ			KOM-SK100154	245.38
MODEL PC200LC-8E0								
BOOM LH	707-01-0H650	1001-		P-UB-14	90 mm	130 mm	KOM-707-98-47710	316.02
	707-01-0H650	1001-		Bushing	90 mm		KOM-707-52-90681	51.59
BOOM RH	707-01-0H650	1001-		P-UB-14	90 mm	130 mm	KOM-707-98-47710	316.02
	707-01-0H650	1001-		Bushing	90 mm		KOM-707-52-90681	51.59
BUCKET	707-01-0H740	1001-		P-UB-14	80 mm	115 mm	KOM-707-98-39610	312.55
	707-01-0H740	1001-		Bushing	80 mm		KOM-707-52-90561	43.95

LT - Large size tire L/S - Loading Shovel SLF - Super Long Front B/H - Backhoe HD - Heavy Duty L BUCKET - Large Bucket
 K-LINK - K-type Linkage Blade LB HI-LIFT - High Lift Arm w Large Bucket HI-LIFT - High Lift Arm S HI-LIFT - Super High Lift Arm
 SU - Semi-U Dozer PAT - Power Angle Power Tilt MP - Multi-Purpose

FORMERLY LISTED REPAIR PARTS ARE AVAILABLE ONLINE AT WWW.HERCULESUS.COM
 OR BY CONTACTING YOUR REGIONAL HERCULES SALES TEAM.

KOMATSU

Replacement Kits For

Excavators								
APPLICATION	CYL #	SERIAL #	Misc	CODE	ROD	BORE	KIT #	List \$
MODEL PC210-6								
ARM	205-63-02521	80001-84384		P-UB-14	95 mm	135 mm	KOM-707-99-57200	475.80
	205-63-02521	80001-84384		Bushing	95 mm		KOM-707-52-90710	67.11
	205-63-02522	34385-		P-UB-14	95 mm	135 mm	KOM-707-99-57200	475.80
	205-63-02522	34385-		Bushing	95 mm		KOM-707-52-90710	67.11
	205-63-63340	A82001-		P-UB-14	95 mm	135 mm	KOM-707-99-57200	475.80
BOOM	205-63-02051	80001-84384		P-U-14	90 mm	130 mm	KOM-707-98-47600	500.87
	205-63-02501	80001-84384		Bushing	85 mm		KOM-707-52-90600	52.10
	205-63-02502	84385-		P-UB-14	85 mm	120 mm	KOM-707-99-46600	358.77
	205-63-02502	84385-		Bushing	85 mm		KOM-707-52-90600	52.10
	206-63-54141	A82001-		P-UB-14	90 mm	130 mm	KOM-707-99-47600	390.55
	20Y-63-03101	96514-		P-UB-14	85 mm	120 mm	KOM-707-99-46270	371.72
BUCKET	205-63-02131	80001-84384		P-UB-14	80 mm	115 mm	KOM-707-98-45220	537.56
	205-63-02131	80001-84384		Bushing	80 mm		KOM-707-52-90550	47.76
	205-63-02132	84385-		P-UB-14	80 mm	115 mm	KOM-707-98-45220	537.56
	205-63-02132	84385-		Bushing	80 mm		KOM-707-52-90550	47.76
	205-63-73340	A82001-		P-UB-14	80 mm	115 mm	KOM-707-98-45220	537.56
	208-63-73340	A82001-		P-UB-14	80 mm	115 mm	KOM-707-98-45220	537.56
BUCKET (Demo Spec)	206-63-73340	A82001-		P-UB-14	90 mm	130 mm	KOM-707-98-47620	592.83
MODEL PC210-6K								
ARM	20Y-63-K1170	K30001-		P-UB-14	95 mm	135 mm	KOM-707-99-57200	475.80
BOOM (2pc - 1st Cyl)	205-63-K1360	K30001-K30873		P-UB-14	85 mm	120 mm	KOM-707-99-46600	358.77
	205-63-K1361	K30874-		P-UB-14	85 mm	120 mm	KOM-707-99-46600	358.77
BOOM (2pc - 2nd Cyl)	205-63-K1370	K30001-		P-UB-14	110 mm	160 mm	KOM-205-63-K1370K	547.18
BOOM LH	205-63-K1170	K30001-K30873		P-UB-14	85 mm	120 mm	KOM-707-99-46600	358.77
	205-63-K1171	K30874-		P-UB-14	85 mm	120 mm	KOM-707-99-46600	358.77
BOOM RH	205-63-K1180	K30001-K30873		P-UB-14	85 mm	120 mm	KOM-707-99-46600	358.77
	205-63-K1181	K30874-		P-UB-14	85 mm	120 mm	KOM-707-99-46600	358.77
BUCKET	20Y-63-K1180	K30001-		P-UB-14	85 mm	125 mm	KOM-707-99-46290	592.30
MODEL PC210-7K								
ARM	707-01-0A310	K40001-		P-UB-14	95 mm	135 mm	KOM-707-99-57160	398.27
BOOM	707-01-0A290	K40001-		P-UB-14	85 mm	120 mm	KOM-707-99-46130	593.50
BUCKET	707-01-0A320	K40001-		P-UB-14	80 mm	115 mm	KOM-707-99-45230	312.55
MODEL PC210LC-6								
ARM	205-63-02521	A80001-		P-UB-14	95 mm	135 mm	KOM-707-99-57200	475.80
	205-63-63340	A82001-		P-UB-14	95 mm	135 mm	KOM-707-99-57200	475.80
BOOM	206-63-02501	A80001-		P-UB-14	90 mm	130 mm	KOM-707-99-47600	390.55
	206-63-54141	A82001-		P-UB-14	90 mm	130 mm	KOM-707-99-47600	390.55
BUCKET	205-63-73340	A82001-		P-UB-14	80 mm	115 mm	KOM-707-98-45220	537.56
	208-63-73340	A82001-		P-UB-14	80 mm	115 mm	KOM-707-98-45220	537.56
BUCKET (2.9M Arm)	205-63-02130	A80001-		P-UB-14	80 mm	115 mm	KOM-707-98-45220	537.56
	206-63-02130	A80001-	Demo Spec	P-UB-14	90 mm	130 mm	KOM-707-98-47620	592.83
BUCKET (Demo Spec)	206-63-73340	A82001-		P-UB-14	90 mm	130 mm	KOM-707-98-47620	592.83
MODEL PC210LC-6K								
ARM	20Y-63-K1170	K30001-		P-UB-14	95 mm	135 mm	KOM-707-99-57200	475.80
BOOM (2pc - 1st Cyl)	205-63-K1360	K30001-K30873		P-UB-14	85 mm	120 mm	KOM-707-99-46600	358.77
	205-63-K1361	K30874-		P-UB-14	85 mm	120 mm	KOM-707-99-46600	358.77
BOOM (2pc - 2nd Cyl)	205-63-K1370	K30001-		P-UB-14	110 mm	160 mm	KOM-205-63-K1370K	547.18
BOOM LH	205-63-K1170	K30001-K30873		P-UB-14	85 mm	120 mm	KOM-707-99-46600	358.77
	205-63-K1171	K30874-		P-UB-14	85 mm	120 mm	KOM-707-99-46600	358.77
BOOM RH	205-63-K1180	K30001-K30873		P-UB-14	85 mm	120 mm	KOM-707-99-46600	358.77
	205-63-K1181	K30874-		P-UB-14	85 mm	120 mm	KOM-707-99-46600	358.77
BUCKET	20Y-63-K1180	K30001-		P-UB-14	85 mm	125 mm	KOM-707-99-46290	592.30
MODEL PC210LC-7K								
ARM	707-01-0A310	K40001-		P-UB-14	95 mm	135 mm	KOM-707-99-57160	398.27
BOOM	707-01-0A290	K40001-		P-UB-14	85 mm	120 mm	KOM-707-99-46130	593.50

LT - Large size tire L/S - Loading Shovel SLF - Super Long Front B/H - Backhoe HD - Heavy Duty L BUCKET - Large Bucket
K-LINK - K-type Linkage Blade LB HI-LIFT - High Lift Arm w Large Bucket HI-LIFT - High Lift Arm S HI-LIFT - Super High Lift Arm
SU - Semi-U Dozer PAT - Power Angle Power Tilt MP - Multi-Purpose

Replacement Kits For

KOMATSU

Excavators								
APPLICATION	CYL #	SERIAL #	Misc	CODE	ROD	BORE	KIT #	List \$
MODEL PC210LC-7K								
BUCKET	707-01-0A320	K40001-		P-UB-14	80 mm	115 mm	KOM-707-99-45230	312.55
MODEL PC210LC-8K								
ARM	707-01-0H580	K50001-		P-UB-14	95 mm	135 mm	KOM-707-98-48610	413.17
	707-01-0H580	K50001-		Bushing	95 mm		KOM-707-52-90720	53.01
	707-01-0H600	K50001-	Burst Valve	P-UB-14	95 mm	135 mm	KOM-707-98-48610	413.17
	707-01-0H600	K50001-	Burst Valve	Bushing	95 mm		KOM-707-52-90720	53.01
	707-01-0H601	K53811-	Burst Valve	P-UB-14	95 mm	135 mm	KOM-707-99-50500	235.36
	707-01-0H601	K53811-	Burst Valve	Bushing	95 mm		KOM-707-52-90721	53.01
BOOM	707-01-0H600	K50001-	2pc Boom	P-UB-14	100 mm	160 mm	KOM-707-99-66350	235.48
	707-01-0H600	K50001-	2pc Boom	Bushing	100 mm		KOM-707-52-90780	58.59
BOOM LH	707-01-0K520	K50001-		P-UB-14	85 mm	120 mm	KOM-707-98-46280	270.20
	707-01-0K520	K50001-		Bushing	85 mm		KOM-707-52-90610	48.79
	707-01-0K540	K50001-	2pc Boom	P-UB-14	85 mm	120 mm	KOM-707-99-46390	178.13
	707-01-0K540	K50001-	2pc Boom	Bushing	100 mm		KOM-707-52-90780	58.59
BOOM RH	707-01-0H580	K50001-	2pc Boom	P-UB-14	85 mm	120 mm	KOM-707-99-46390	178.13
	707-01-0H580	K50001-	2pc Boom	Bushing	85 mm		KOM-707-52-90610	48.79
	707-01-0K520	K50001-		P-UB-14	85 mm	120 mm	KOM-707-98-46280	270.20
	707-01-0K520	K50001-		Bushing	85 mm		KOM-707-52-90610	48.79
BUCKET	707-01-0H740	K50001-	For 2.9m Arm	P-UB-14	80 mm	115 mm	KOM-707-98-39610	312.55
	707-01-0H740	K50001-	For 2.9m Arm	Bushing	80 mm		KOM-707-52-90560	43.95
	707-01-0J080	K50001-	1.8m, 2.4m Arm	P-UB-14	85 mm	125 mm	KOM-707-99-47130	256.01
	707-01-0J080	K50001-	1.8m, 2.4m Arm	Bushing	85 mm		KOM-707-52-90610	48.79
	707-F1-00080	K53751-	For 2.4m Arm	P-UB-14	85 mm	125 mm	KOM-707-99-47040	256.01
	707-F1-00080	K53751-	For 2.4m Arm	Bushing	85 mm		KOM-707-52-90610	48.79
	707-F1-00090	K53751-	For 2.9m Arm	P-UB-14	80 mm	115 mm	KOM-707-99-45040	203.68
	707-F1-00090	K53751-	For 2.9m Arm	Bushing	80 mm		KOM-707-52-90560	43.95
MODEL PC210LC-10								
ARM	707-E1-01430	A10001-UP		P-UB-14	95 mm	135 mm	KOM-707-99-50520	263.01
	707-E1-01430	A10001-UP		Bushing	95 mm		KOM-707-52-90721	53.01
BOOM	707-E1-01510	A10001-UP		P-UB-14	90 mm	130 mm	KOM-707-99-48740	281.63
	707-E1-01510	A10001-UP		Bushing	90 mm		KOM-707-52-90681	51.59
BUCKET	707-E1-01480	A10001-UP		P-UB-14	80 mm	115 mm	KOM-707-98-39611	276.95
	707-E1-01480	A10001-UP		Bushing	80 mm		KOM-707-52-90561	43.95
TRACK ADJUSTER		450001-		TRK ADJ			KOM-SK100173	164.01
		450001-	kit w/ valve	TRK ADJ			KOM-SK100154	245.38
		A10001-		TRK ADJ			KOM-SK100173	164.01
		A10001-	kit w/ valve	TRK ADJ			KOM-SK100154	245.38
MODEL PC210LC-11								
ARM	707-E1-01430	500001-		P-UB-14	95 mm	135 mm	KOM-721-98-00690	275.13
	707-E1-01430	500001-		Bushing	95 mm		KOM-707-52-90721	53.01
	707-E1-01430	A12001-		P-UB-14	95 mm	135 mm	KOM-721-98-00690	275.13
	707-E1-01430	A12001-		Bushing	95 mm		KOM-707-52-90721	53.01
BOOM LH	707-E1-01510	500001-		P-UB-14	90 mm	130 mm	KOM-721-98-00860	435.31
	707-E1-01510	500001-		Bushing	90 mm		KOM-707-52-90681	51.59
	707-E1-01510	A12001-		P-UB-14	90 mm	130 mm	KOM-721-98-00860	435.31
	707-E1-01510	A12001-		Bushing	90 mm		KOM-707-52-90681	51.59
BOOM RH	707-E1-01510	500001-		P-UB-14	90 mm	130 mm	KOM-721-98-00860	435.31
	707-E1-01510	500001-		Bushing	90 mm		KOM-707-52-90681	51.59
	707-E1-01510	A12001-		P-UB-14	90 mm	130 mm	KOM-721-98-00860	435.31
	707-E1-01510	A12001-		Bushing	90 mm		KOM-707-52-90681	51.59
BUCKET	707-E1-01480	500001-		P-UB-14	80 mm	115 mm	KOM-721-98-00710	276.28
	707-E1-01480	500001-		Bushing	80 mm		KOM-707-52-90561	43.95
	707-E1-01480	A12001-		P-UB-14	80 mm	115 mm	KOM-721-98-00710	276.28
	707-E1-01480	A12001-		Bushing	80 mm		KOM-707-52-90561	43.95

LT - Large size tire L/S - Loading Shovel SLF - Super Long Front B/H - Backhoe HD - Heavy Duty L BUCKET - Large Bucket
 K-LINK - K-type Linkage Blade LB HI-LIFT - High Lift Arm w Large Bucket HI-LIFT - High Lift Arm S HI-LIFT - Super High Lift Arm
 SU - Semi-U Dozer PAT - Power Angle Power Tilt MP - Mulit-Purpose

FORMERLY LISTED REPAIR PARTS ARE AVAILABLE ONLINE AT WWW.HERCULESUS.COM
 OR BY CONTACTING YOUR REGIONAL HERCULES SALES TEAM.

Replacement Kits For

KOMATSU

Excavators								
APPLICATION	CYL #	SERIAL #	Misc	CODE	ROD	BORE	KIT #	List \$
MODEL PC210LC-11								
TRACK ADJUSTER		500001-; A12001-		TRK ADJ			KOM-SK100173	164.01
		500001-; A12001-	w/ valve	TRK ADJ			KOM-SK100154	245.38
MODEL PC210LCi-10								
ARM		455859-		P-UB-14	95 mm	135 mm	KOM-721-98-02330	704.66
		455859-		Bushing	95 mm		KOM-707-52-90721	53.01
	707-G7-00140	451680-455858		P-UB-14	95 mm	135 mm	KOM-721-98-00170	307.55
	707-G7-00140	451680-455858		Bushing	95 mm		KOM-707-52-90721	53.01
BOOM LH		455859-		P-UB-14	85 mm	120 mm	KOM-721-98-02620	703.11
		455859-		Bushing	85 mm		KOM-707-52-90611	48.79
	707-G7-00130	451680-455858		P-UB-14	85 mm	120 mm	KOM-721-98-00160	726.34
BOOM RH	707-G1-02940	451680-		P-UB-14	85 mm	120 mm	KOM-721-98-00660	706.07
	707-G1-02940	451680-		Bushing	85 mm		KOM-707-52-90611	48.79
BUCKET	707-G7-00120	451680-		P-UB-14	80 mm	115 mm	KOM-721-98-00180	358.36
	707-G7-00120	451680-		Bushing	80 mm		KOM-707-52-15520	44.01
	707-G7-00120	451680-		Bushing	80 mm		KOM-707-52-90561	43.95
TRACK ADJUSTER		451080-	w/ valve	TRK ADJ			KOM-SK100154	245.38
		451080-		TRK ADJ			KOM-SK100173	164.01
MODEL PC210LCi-11								
ARM	707-G7-00480	500470-		P-UB-14	95 mm	135 mm	KOM-721-98-02440	715.82
	707-G7-00480	500470-		Bushing	95 mm		KOM-707-52-15770	51.33
	707-G7-00480	500470-		Bushing	95 mm		KOM-707-52-90721	53.01
BOOM LH	707-G7-00471	500516-		P-UB-14	90 mm	130 mm	KOM-721-98-02460	491.23
	707-G7-00471	500516-		Bushing	90 mm		KOM-707-52-15600	48.09
	707-G7-00471	500516-		Bushing	90 mm		KOM-707-52-90681	51.59
BOOM RH	707-G1-04210	500470-		P-UB-14	95 mm	135 mm	KOM-721-98-02330	704.66
	707-G1-04210	500470-		Bushing	90 mm		KOM-707-52-90681	51.59
BUCKET	707-G7-00490	500470-		P-UB-14	80 mm	115 mm	KOM-721-98-00180	358.36
	707-G7-00490	500470-		Bushing	80 mm		KOM-707-52-15520	44.01
	707-G7-00490	500470-		Bushing	80 mm		KOM-707-52-90561	43.95
TRACK ADJUSTER		500470-		TRK ADJ			KOM-SK100173	164.01
		500470-	w/ valve	TRK ADJ			KOM-SK100154	245.38
MODEL PC210NLC-7K								
ARM	707-01-0A310	K40001-		P-UB-14	95 mm	135 mm	KOM-707-99-57160	398.27
BOOM	707-01-0A290	K40001-		P-UB-14	85 mm	120 mm	KOM-707-99-46130	593.50
BUCKET	707-01-0A320	K40001-		P-UB-14	80 mm	115 mm	KOM-707-99-45230	312.55
MODEL PC220-6								
ARM	206-63-02521	40001-52851		P-UB-14	100 mm	140 mm	KOM-707-99-58200	357.22
	206-63-03120	52852-53173		P-UB-14	100 mm	140 mm	KOM-707-99-58300	287.62
	206-63-03121	53174-56420		P-UB-14	100 mm	140 mm	KOM-707-99-58350	448.03
	707-01-0E580	56421-		P-UB-14	100 mm	140 mm	KOM-707-99-58350	448.03
BOOM	206-63-02501	40001-52851		P-UB-14	90 mm	130 mm	KOM-707-99-47600	390.55
	206-63-03100	52852-		P-UB-14	90 mm	130 mm	KOM-707-99-47660	408.20
	206-63-07100	50001-52851		P-UB-14	90 mm	130 mm	KOM-707-99-47600	390.55
	206-63-07200	52852-		P-UB-14	90 mm	130 mm	KOM-707-99-47660	408.20
BOOM LIFT	206-63-02801	50001-52851		P-UB-14	100 mm	140 mm	KOM-707-99-58260	218.12
	206-63-03300	52852-		P-UB-14	100 mm	140 mm	KOM-707-99-58310	229.55
	206-63-07140	50001-52851		P-UB-14	100 mm	140 mm	KOM-707-99-58260	218.12
	206-63-07240	52852-		P-UB-14	100 mm	140 mm	KOM-707-99-58310	229.55
BUCKET	206-63-02130	40001-52851		P-UB-14	90 mm	130 mm	KOM-707-98-47620	592.83
	206-63-02140	40001-52851		P-UB-14	100 mm	140 mm	KOM-707-98-58240	326.19
	206-63-02140	50001-52851		P-UB-14	100 mm	140 mm	KOM-707-99-58240	758.82
	206-63-03130	52852-		P-UB-14	90 mm	130 mm	KOM-707-99-47670	593.76
	206-63-03140	52852-		P-UB-14	100 mm	140 mm	KOM-707-99-58320	382.02
	206-63-07030	50001-		P-UB-14	90 mm	130 mm	KOM-707-98-47620	592.83

LT - Large size tire L/S - Loading Shovel SLF - Super Long Front B/H - Backhoe HD - Heavy Duty L BUCKET - Large Bucket
 K-LINK - K-type Linkage Blade LB HI-LIFT - High Lift Arm w Large Bucket HI-LIFT - High Lift Arm S HI-LIFT - Super High Lift Arm
 SU - Semi-U Dozer PAT - Power Angle Power Tilt MP - Mult-Purpose

KOMATSU

Replacement Kits For

KOMATSU

Excavators								
APPLICATION	CYL #	SERIAL #	Misc	CODE	ROD	BORE	KIT #	List \$
MODEL PC220LC-6								
ARM	206-63-02521	50001-		Bushing	100 mm		KOM-707-52-90750	83.66
	206-63-02521	50001-52851		P-UB-14	100 mm	140 mm	KOM-707-99-58200	357.22
	206-63-02521	A80001-		Bushing	100 mm		KOM-707-52-90750	83.66
	206-63-02521	A80001-A82000		P-UB-14	100 mm	140 mm	KOM-707-99-58200	357.22
	206-63-03120	52852-53173		P-UB-14	100 mm	140 mm	KOM-707-99-58300	287.62
	206-63-03121	53174-56420		P-UB-14	100 mm	140 mm	KOM-707-99-58350	448.03
BOOM	707-01-0E580	56421-		P-UB-14	100 mm	140 mm	KOM-707-99-58350	448.03
	206-63-02501	50001-		Bushing	90 mm		KOM-707-52-90650	60.09
	206-63-02501	50001-52851		P-UB-14	90 mm	130 mm	KOM-707-99-47600	390.55
	206-63-02801	A80001-		Bushing	100 mm		KOM-707-52-90750	83.66
	206-63-02801	A80001-A82000		P-UB-14	100 mm	140 mm	KOM-707-99-58260	218.12
	206-63-03100	52852-		P-UB-14	90 mm	130 mm	KOM-707-99-47660	408.20
BOOM LIFT	206-63-07100	50001-52851		P-UB-14	90 mm	130 mm	KOM-707-99-47600	390.55
	206-63-07200	52852-		P-UB-14	90 mm	130 mm	KOM-707-99-47660	408.20
	206-63-02801	50001-52851		P-UB-14	100 mm	140 mm	KOM-707-99-58260	218.12
	206-63-03300	52852-		P-UB-14	100 mm	140 mm	KOM-707-99-58310	229.55
BUCKET	206-63-07140	50001-52851		P-UB-14	100 mm	140 mm	KOM-707-99-58260	218.12
	206-63-07240	52852-		P-UB-14	100 mm	140 mm	KOM-707-99-58310	229.55
	206-63-02130	50001-		Bushing	90 mm		KOM-707-52-90650	60.09
	206-63-02130	50001-52851		P-UB-14	90 mm	130 mm	KOM-707-98-47620	592.83
	206-63-02130	A80001-		Bushing	90 mm		KOM-707-52-90650	60.09
	206-63-02130	A80001-A82000		P-UB-14	90 mm	130 mm	KOM-707-98-47620	592.83
MODEL PC220LC-6LC								
ARM	206-63-02521	A82001-A83000		P-UB-14	100 mm	140 mm	KOM-707-99-58200	357.22
BOOM	206-63-02801	A82001-A83000		P-UB-14	100 mm	140 mm	KOM-707-99-58260	218.12
BUCKET	206-63-02130	A82001-A83000		P-UB-14	90 mm	130 mm	KOM-707-98-47620	592.83
	206-63-02140	A82001-A83000		P-UB-14	100 mm	140 mm	KOM-707-99-58240	758.82
MODEL PC220LC-6LE								
ARM	206-63-03120	A83001-A83986		P-UB-14	100 mm	140 mm	KOM-707-99-58350	448.03
	206-63-03121	A83987-		P-UB-14	100 mm	140 mm	KOM-707-99-58350	448.03
BOOM	206-63-02801	A83001-		P-UB-14	100 mm	140 mm	KOM-707-99-58260	218.12
	206-63-03300	A83001-		P-UB-14	100 mm	140 mm	KOM-707-99-58310	229.55
BUCKET	206-63-02140	A83001-		P-UB-14	100 mm	140 mm	KOM-707-99-58240	758.82
	206-63-03130	A83001-		P-UB-14	90 mm	130 mm	KOM-707-98-47670	542.45
	206-63-03140	A83001-		P-UB-14	100 mm	140 mm	KOM-707-99-58320	382.02
MODEL PC220LC-7								
ARM	707-01-0A370	60001-60273		P-UB-14	100 mm	140 mm	KOM-707-99-58070	327.81
	707-01-0A371	60274-		P-UB-14	100 mm	140 mm	KOM-707-99-58070	327.81
	707-01-0A372	60767-		P-UB-14	100 mm	140 mm	KOM-707-99-58070	327.81
	707-01-0C690	60001-60273		P-UB-14	100 mm	140 mm	KOM-707-99-58070	327.81
	707-01-0C691	60274-		P-UB-14	100 mm	140 mm	KOM-707-99-58070	327.81
ARM (SLF)	707-01-0A311	60001-65888		P-UB-14	95 mm	135 mm	KOM-707-99-57160	398.27
	707-01-0A312	65889-		P-UB-14	95 mm	135 mm	KOM-707-99-57160	398.27
BOOM	707-01-0A350	60001-		P-UB-14	90 mm	130 mm	KOM-707-99-47790	347.74
	707-01-0C670	60001-		P-UB-14	90 mm	130 mm	KOM-707-99-47790	347.74
BOOM (Lrg Dia Type)	707-01-0C040	60001-		P-UB-14	95 mm	135 mm	KOM-707-99-50620	508.26
BUCKET	707-01-0A240	60001-		P-UB-14	100 mm	140 mm	KOM-707-99-58060	655.53
	707-01-0A380	60001-		P-UB-14	90 mm	130 mm	KOM-707-99-47570	504.24
	707-01-0A381	60759-		P-UB-14	90 mm	130 mm	KOM-707-99-47570	504.24
	707-01-0A382	60767-		P-UB-14	90 mm	130 mm	KOM-707-99-47570	504.24

LT - Large size tire L/S - Loading Shovel SLF - Super Long Front B/H - Backhoe HD - Heavy Duty L BUCKET - Large Bucket
 K-LINK - K-type Linkage Blade LB HI-LIFT - High Lift Arm w Large Bucket HI-LIFT - High Lift Arm S HI-LIFT - Super High Lift Arm
 SU - Semi-U Dozer PAT - Power Angle Power Tilt MP - Mult-Purpose

FORMERLY LISTED REPAIR PARTS ARE AVAILABLE ONLINE AT WWW.HERCULESUS.COM
 OR BY CONTACTING YOUR REGIONAL HERCULES SALES TEAM.

Replacement Kits For

KOMATSU

Excavators									
APPLICATION	CYL #	SERIAL #	Misc	CODE	ROD	BORE	KIT #	List \$	
MODEL PC220LC-7									
BUCKET	707-01-0C700	60001-		P-UB-14	90 mm	130 mm	KOM-707-99-47570	504.24	
	707-01-0C701	60759-		P-UB-14	90 mm	130 mm	KOM-707-99-47570	504.24	
	707-01-0G492	65889-		P-UB-14	90 mm	130 mm	KOM-707-99-47570	504.24	
	707-01-0G502	60767-		P-UB-14	100 mm	140 mm	KOM-707-99-58060	655.53	
	707-01-0H430	65001-		P-UB-14	100 mm	140 mm	KOM-707-99-58060	655.53	
	707-01-0H720	65889-		P-UB-14	90 mm	130 mm	KOM-707-99-47570	504.24	
	707-13-13611	65001-		P-UB-14	90 mm	130 mm	KOM-707-99-47570	504.24	
BUCKET (SLF)	707-01-0F040	65272-		P-UB-14	65 mm	95 mm	KOM-707-99-25870	264.81	
MODEL PC220LC-7L									
ARM	707-01-0A371	A86001-		P-UB-14	100 mm	140 mm	KOM-707-99-58070	327.81	
BOOM (Lrg Dia Type)	707-01-0C040	A86001-		P-UB-14	95 mm	135 mm	KOM-707-99-50620	508.26	
BUCKET	707-01-0A380	A86001-		P-UB-14	90 mm	130 mm	KOM-707-99-47570	504.24	
MODEL PC220LC-8									
ARM	707-01-0H700	70001-		P-UB-14	100 mm	140 mm	KOM-707-98-58240	326.19	
	707-01-0H700	70001-		Bushing	100 mm		KOM-707-52-90780	58.59	
	707-01-0H700	80001-		P-UB-14	100 mm	140 mm	KOM-707-98-58240	326.19	
	707-01-0H700	80001-		Bushing	100 mm		KOM-707-52-90780	58.59	
	707-01-0H700	A88001-	KLC Spec	P-UB-14	100 mm	140 mm	KOM-707-98-58240	326.19	
	707-01-0H700	A88001-	KLC Spec	Bushing	100 mm		KOM-707-52-90781	58.59	
	707-01-0H710	70001-		P-UB-14	90 mm	130 mm	KOM-707-01-0H710K	235.47	
	707-01-0H710	70001-		Bushing	90 mm		KOM-707-52-90680	51.59	
	707-01-0H920	70001-		P-UB-14	90 mm	130 mm	KOM-707-01-0H920K	235.47	
	707-01-0H920	70001-		Bushing	90 mm		KOM-707-52-90680	51.59	
	707-01-0J840	70001-		P-UB-14	100 mm	140 mm	KOM-707-98-58240	326.19	
	707-01-0J840	70001-		Bushing	100 mm		KOM-707-52-90780	58.59	
	707-01-0J840	80001-	Burst Valve	P-UB-14	100 mm	140 mm	KOM-707-98-58240	326.19	
	707-01-0J840	80001-	Burst Valve	Bushing	100 mm		KOM-707-52-90780	58.59	
	BOOM	707-01-0H700	80001-	For Arm Crane, Burst Valve	P-UB-14	100 mm	140 mm	KOM-707-98-58240	326.19
707-01-0H700		80001-	For Arm Crane, Burst Valve	Bushing	100 mm		KOM-707-52-90780	58.59	
707-01-0H850		70001-	Large Diameter Type	P-UB-14	95 mm	135 mm	KOM-707-99-50680	253.43	
707-01-0H850		70001-	Large Diameter Type	Bushing	95 mm		KOM-707-52-90720	53.01	
707-01-0H890		80001-	For Arm Crane, Burst Valve	P-UB-14	90 mm	130 mm	KOM-707-98-47730	347.96	
707-01-0H890		80001-	For Arm Crane, Burst Valve	Bushing	90 mm		KOM-707-52-90680	51.59	
707-01-0J790		80001-	Burst Valve	P-UB-14	90 mm	130 mm	KOM-707-98-47730	347.96	
707-01-0J790		80001-	Burst Valve	Bushing	90 mm		KOM-707-52-90680	51.59	
BOOM LH		707-01-0H680	70001-		P-UB-14	90 mm	130 mm	KOM-707-98-47730	347.96
		707-01-0H680	70001-		P-UB-14	90 mm	130 mm	KOM-707-01-0H680K	243.88
	707-01-0H680	70001-		Bushing	90 mm		KOM-707-52-90680	51.59	
	707-01-0H680	80001-		P-UB-14	90 mm	130 mm	KOM-707-98-47730	347.96	
	707-01-0H680	80001-		Bushing	90 mm		KOM-707-52-90680	51.59	
	707-01-0H850	70001-		P-UB-14	95 mm	135 mm	KOM-707-01-0H850K	289.91	
	707-01-0H850	70001-		Bushing	95 mm		KOM-707-52-90721	53.01	
	707-01-0H850	80001-	Lift	P-UB-14	95 mm	135 mm	KOM-707-99-50680	253.43	
	707-01-0H850	80001-	Lift	Bushing	95 mm		KOM-707-52-90720	53.01	
	707-01-0H850	A88001-		P-UB-14	95 mm	135 mm	KOM-707-99-50680	253.43	

LT - Large size tire L/S - Loading Shovel SLF - Super Long Front B/H - Backhoe HD - Heavy Duty L BUCKET - Large Bucket
 K-LINK - K-type Linkage Blade LB HI-LIFT - High Lift Arm w Large Bucket HI-LIFT - High Lift Arm S HI-LIFT - Super High Lift Arm
 SU - Semi-U Dozer PAT - Power Angle Power Tilt MP - Multi-Purpose

Replacement Kits For

KOMATSU

Excavators									
APPLICATION	CYL #	SERIAL #	Misc	CODE	ROD	BORE	KIT #	List \$	
MODEL PC220LC-8									
BOOM LH	707-01-0H850	A88001-		Bushing	95 mm		KOM-707-52-90721	53.01	
	707-01-0J790	80001-		P-UB-14	90 mm	130 mm	KOM-707-98-47730	347.96	
	707-01-0J790	80001-		Bushing	90 mm		KOM-707-52-90680	51.59	
	707-01-0J970	70001-		P-UB-14	90 mm	130 mm	KOM-707-98-47730	347.96	
	707-01-0J970	70001-		Bushing	90 mm		KOM-707-52-90680	51.59	
BOOM RH	707-01-0H680	70001-		P-UB-14	90 mm	130 mm	KOM-707-98-47730	347.96	
	707-01-0H680	70001-		P-UB-14	90 mm	130 mm	KOM-707-01-0H680K	243.88	
	707-01-0H680	70001-		Bushing	90 mm		KOM-707-52-90680	51.59	
	707-01-0H680	80001-		P-UB-14	90 mm	130 mm	KOM-707-98-47730	347.96	
	707-01-0H680	80001-		Bushing	90 mm		KOM-707-52-90680	51.59	
	707-01-0H850	70001-		P-UB-14	95 mm	135 mm	KOM-707-01-0H850K	289.91	
	707-01-0H850	70001-		Bushing	95 mm		KOM-707-52-90721	53.01	
	707-01-0H850	A88001-		P-UB-14	95 mm	135 mm	KOM-707-99-50680	253.43	
	707-01-0H850	A88001-		Bushing	95 mm		KOM-707-52-90721	53.01	
	707-01-0J790	70001-		P-UB-14	90 mm	130 mm	KOM-707-98-47730	347.96	
	707-01-0J790	70001-		Bushing	90 mm		KOM-707-52-90680	51.59	
	707-01-0J790	80001-		P-UB-14	90 mm	130 mm	KOM-707-98-47730	347.96	
	707-01-0J790	80001-		Bushing	90 mm		KOM-707-52-90680	51.59	
	707-01-0J790	80001-		P-UB-14	90 mm	130 mm	KOM-707-98-47720	504.34	
	BUCKET	707-01-0H710	80001-		P-UB-14	90 mm	130 mm	KOM-707-98-47720	504.34
707-01-0H710		80001-		Bushing	90 mm		KOM-707-52-90680	51.59	
707-01-0H920		70001-	KA Spec	P-UB-14	90 mm	130 mm	KOM-707-98-47720	504.34	
707-01-0H920		70001-	KA Spec	Bushing	90 mm		KOM-707-52-90680	51.59	
707-01-0H920		80001-	3.0m Arm	P-UB-14	90 mm	130 mm	KOM-707-98-47720	504.34	
707-01-0H920		80001-	3.0m Arm	Bushing	90 mm		KOM-707-52-90680	51.59	
707-01-0H920		A88001-		P-UB-14	90 mm	130 mm	KOM-707-98-47720	504.34	
707-01-0H920		A88001-		Bushing	90 mm		KOM-707-52-90681	51.59	
707-01-0J080		70001-	1.8m Arm	P-UB-14	85 mm	125 mm	KOM-707-99-47130	256.01	
707-01-0J080		70001-	1.8m Arm	Bushing	85 mm		KOM-707-52-90610	48.79	
707-01-0J080		80001-	1.8m Arm	P-UB-14	85 mm	125 mm	KOM-707-99-47130	256.01	
707-01-0J080		80001-	1.8m Arm	Bushing	85 mm		KOM-707-52-90610	48.79	
707-01-0J860		70001-		P-UB-14	90 mm	130 mm	KOM-707-98-47720	504.34	
707-01-0J860		70001-		Bushing	90 mm		KOM-707-52-90680	51.59	
707-01-0J860		80001-		P-UB-14	90 mm	130 mm	KOM-707-98-47720	504.34	
707-01-0J860		80001-		Bushing	90 mm		KOM-707-52-90680	51.59	
707-01-0J860		A88001-	KLC Spec	P-UB-14	90 mm	130 mm	KOM-707-98-47720	504.34	
707-01-0J860		A88001-	KLC Spec	Bushing	90 mm		KOM-707-52-90681	51.59	
707-01-0J870		70001-		P-UB-14	90 mm	130 mm	KOM-707-98-47720	504.34	
707-01-0J870		70001-		Bushing	90 mm		KOM-707-52-90680	51.59	
707-01-0J870		80001-		P-UB-14	90 mm	130 mm	KOM-707-98-47720	504.34	
707-01-0J870		80001-		Bushing	90 mm		KOM-707-52-90680	51.59	
707-01-0J900		70001-	2.0m Arm	P-UB-14	100 mm	140 mm	KOM-707-99-59020	619.27	
707-01-0J900		70001-	2.0m Arm	Bushing	100 mm		KOM-707-52-90780	58.59	
707-01-0J900		80001-	2.0m Arm	P-UB-14	100 mm	140 mm	KOM-707-99-59020	619.27	
707-01-0J900		80001-	2.0m Arm	Bushing	100 mm		KOM-707-52-90780	58.59	
707-01-0J910		70001-	2.0m Arm	P-UB-14	100 mm	140 mm	KOM-707-99-59020	619.27	
707-01-0J910		70001-	2.0m Arm	Bushing	100 mm		KOM-707-52-90780	58.59	
707-01-0J910		80001-	2.0m Arm	P-UB-14	100 mm	140 mm	KOM-707-99-59020	619.27	
707-01-0J910		80001-	2.0m Arm	Bushing	100 mm		KOM-707-52-90780	58.59	
CLAMSHELL		205-63-94100	70001-		P-U-14	80 mm	130 mm	KOM-205-63-94100K	99.41
		205-63-94100	70001-		Bushing	80 mm		KOM-07177-08030	43.95
TRACK ADJUSTER			A88001-	kit w/ valve	TRK ADJ			KOM-SK100154	245.38
			A88001-		TRK ADJ			KOM-SK100173	164.01
MODEL PC228USLC-1									
ARM	22U-63-02222	11001-		P-UB-14	95 mm	135 mm	KOM-707-99-57270	594.99	
BOOM	22U-63-02203	11001-		P-UB-14	85 mm	120 mm	KOM-707-98-46220	206.70	

LT - Large size tire L/S - Loading Shovel SLF - Super Long Front B/H - Backhoe HD - Heavy Duty L BUCKET - Large Bucket
 K-LINK - K-type Linkage Blade LB HI-LIFT - High Lift Arm w Large Bucket HI-LIFT - High Lift Arm S HI-LIFT - Super High Lift Arm
 SU - Semi-U Dozer PAT - Power Angle Power Tilt MP - Multit-Purpose

FORMERLY LISTED REPAIR PARTS ARE AVAILABLE ONLINE AT WWW.HERCULESUS.COM
 OR BY CONTACTING YOUR REGIONAL HERCULES SALES TEAM.

Replacement Kits For

KOMATSU

Excavators								
APPLICATION	CYL #	SERIAL #	Misc	CODE	ROD	BORE	KIT #	List \$
MODEL PC228USLC-1								
BUCKET	22U-63-02240	11001-		P-UB-14	90 mm	130 mm	KOM-707-99-47670	593.76
MODEL PC228USLC-2								
ARM	205-63-03122	15001-15922		P-UB-14	95 mm	135 mm	KOM-707-99-57270	594.99
	707-01-0E570	15923-		P-UB-14	95 mm	135 mm	KOM-707-99-57270	594.99
BOOM	22U-63-02103	15001-		P-UB-14	90 mm	130 mm	KOM-707-99-47730	374.24
	22U-63-02450	15321-		P-UB-14	85 mm	120 mm	KOM-707-98-46220	206.70
BUCKET	205-63-03131	15001-		P-UB-14	80 mm	115 mm	KOM-707-98-45250	412.52
MODEL PC228USLC-3								
ARM	707-01-0A311	30001-		P-UB-14	95 mm	135 mm	KOM-707-99-57160	398.27
BLADE LH	22U-63-02550	30001-		P-UB-14	100 mm	140 mm	KOM-707-99-58390	229.26
BLADE RH	22U-63-02560	30001-		P-UB-14	100 mm	140 mm	KOM-707-99-58390	229.26
BOOM	707-01-0E770	30001-		P-UB-14	85 mm	120 mm	KOM-707-99-46130	593.50
	707-01-0F300	30001-		P-UB-14	85 mm	120 mm	KOM-707-99-46130	593.50
BOOM (Lrg Dia Type)	707-01-0E790	30001-		P-UB-14	90 mm	130 mm	KOM-707-99-47790	347.74
BOOM ADJUST	707-01-0E270	30001-		P-UB-14	120 mm	185 mm	KOM-707-99-68730	625.05
BUCKET	707-01-0A320	30001-		P-UB-14	80 mm	115 mm	KOM-707-99-45230	312.55
MODEL PC228USLC-3E0								
ARM	707-01-0H600	40001-		P-UB-14	95 mm	135 mm	KOM-707-98-48610	413.17
BOOM	707-01-0K860	40001-		P-UB-14	85 mm	120 mm	KOM-707-98-46300	214.21
BOOM (Lrg Dia Type)	707-01-0K880	40001-		P-UB-14	90 mm	130 mm	KOM-707-98-47740	281.40
BUCKET	707-01-0H740	40001-		P-UB-14	80 mm	115 mm	KOM-707-98-39610	312.55
MODEL PC228USLC-3S								
ARM	22U-63-02623	20001-21274		P-UB-14	95 mm	135 mm	KOM-707-99-57180	308.44
	707-01-0X430	21275-21502		P-UB-14	95 mm	135 mm	KOM-707-99-57160	398.27
	707-01-0X431	21503-		P-UB-14	95 mm	135 mm	KOM-707-99-57160	398.27
BOOM	22U-63-02651	20001-		P-UB-14	90 mm	130 mm	KOM-707-99-47780	361.49
BUCKET	22U-63-02633	20001-21221		P-UB-14	80 mm	115 mm	KOM-707-99-45220	266.56
	707-01-0C890	21222-		P-UB-14	80 mm	115 mm	KOM-707-99-45230	312.55
MODEL PC228USLC-8								
ARM	707-01-0CE31	50001-		P-UB-14	95 mm	135 mm	KOM-707-99-50780	236.30
	707-01-0CE31	50001-		Bushing	95 mm		KOM-707-52-90721	53.01
BLADE LH	22U-63-02550	50001-		P-UB-14	100 mm	140 mm	KOM-707-99-59230	211.28
	22U-63-02550	50001-		Bushing	100 mm		KOM-707-52-90781	58.59
BLADE RH	22U-63-02550	50001-		P-UB-14	100 mm	140 mm	KOM-707-99-59230	211.28
	22U-63-02550	50001-		Bushing	100 mm		KOM-707-52-90781	58.59
BOOM LH	707-01-0CE10	50001-		P-UB-14	85 mm	120 mm	KOM-707-99-46470	168.13
	707-01-0CE10	50001-		Bushing	85 mm		KOM-707-52-90611	48.79
	707-01-0CE50	50001-	5.7m boom	P-UB-14	90 mm	130 mm	KOM-707-99-47880	198.58
	707-01-0CE50	50001-	5.7m boom	Bushing	90 mm		KOM-707-52-90681	51.59
BOOM RH	707-01-0CE10	50001-		P-UB-14	85 mm	120 mm	KOM-707-99-46470	168.13
	707-01-0CE10	50001-		Bushing	85 mm		KOM-707-52-90611	48.79
	707-01-0CE50	50001-	5.7m boom	P-UB-14	90 mm	130 mm	KOM-707-99-47880	198.58
	707-01-0CE50	50001-	5.7m boom	Bushing	90 mm		KOM-707-52-90681	51.59
BUCKET	707-01-0CH30	50001-	2.4m, 2.9m arm	P-UB-14	80 mm	115 mm	KOM-707-99-45040	203.68
	707-01-0CH30	50001-	2.4m, 2.9m arm	Bushing	80 mm		KOM-707-52-90561	43.95
MODEL PC228USLC-10								
ARM	707-E1-01430	1110-		P-UB-14	95 mm	135 mm	KOM-707-99-50520	263.01
BOOM ADJUST	707-01-0E270	1110-	2pc boom	P-UB-14	120 mm	185 mm	KOM-707-99-68730	625.05
	707-01-0X530	1110-	2pc boom	P-UB-14	120 mm	185 mm	KOM-707-99-68730	625.05
BOOM LH	707-01-0CJ20	1110-	2pc boom	P-UB-14	85 mm	120 mm	KOM-707-99-46470	168.13
	707-01-XCJ20	1110-	2pc boom	P-UB-14	85 mm	120 mm	KOM-707-99-46470	168.13
	707-01-XYJ10	1110-	2pc boom	P-UB-14	85 mm	120 mm	KOM-707-99-46470	168.13
BOOM RH	707-01-0CJ20	1110-	2pc boom	P-UB-14	85 mm	120 mm	KOM-707-99-46470	168.13
	707-01-XCJ30	1110-	2pc boom	P-UB-14	85 mm	120 mm	KOM-707-99-46470	168.13

LT - Large size tire L/S - Loading Shovel SLF - Super Long Front B/H - Backhoe HD - Heavy Duty L BUCKET - Large Bucket
 K-LINK - K-type Linkage Blade LB HI-LIFT - High Lift Arm w Large Bucket HI-LIFT - High Lift Arm S HI-LIFT - Super High Lift Arm
 SU - Semi-U Dozer PAT - Power Angle Power Tilt MP - Multi-Purpose

NORTH AMERICA
 PHONE 1-800-777-5617
 FAX 1-800-759-6391

SALES OFFICE HOURS
 8 A.M. TO 8:00 P.M. EASTERN TIME
 www.HerculesUS.com

WORLDWIDE
 PHONE 1-727-796-1300
 FAX 1-727-797-8849

HERCULES
 SEALING PRODUCTS

KOMATSU

Excavators

APPLICATION	CYL #	SERIAL #	Misc	CODE	ROD	BORE	KIT #	List \$
MODEL PC228USLC-10								
BOOM RH	707-01-XYJ20	1110-	2pc boom	P-UB-14	85 mm	120 mm	KOM-707-99-46470	168.13
BUCKET	707-E1-01480	1110-	2.9m arm	P-UB-14	80 mm	115 mm	KOM-707-98-39611	276.95
MODEL PC230-6								
ARM	206-63-02521	40001-52851		P-UB-14	100 mm	140 mm	KOM-707-99-58200	357.22
	206-63-03121	52852-		P-UB-14	100 mm	140 mm	KOM-707-99-58350	448.03
BOOM	206-63-02501	40001-52851		P-UB-14	90 mm	130 mm	KOM-707-99-47600	390.55
	206-63-03100	52852-		P-UB-14	90 mm	130 mm	KOM-707-99-47660	408.20
BUCKET	206-63-02130	40001-52851		P-UB-14	90 mm	130 mm	KOM-707-98-47620	592.83
	206-63-02140	40001-52851		P-UB-14	100 mm	140 mm	KOM-707-98-58240	326.19
	206-63-03130	52852-		P-UB-14	90 mm	130 mm	KOM-707-98-47670	542.45
	206-63-03140	52852-		P-UB-14	100 mm	140 mm	KOM-707-99-58320	382.02
MODEL PC238USLC-11								
ARM	707-E1-01430	5001-7404		P-UB-14	95 mm	135 mm	KOM-721-98-00690	275.13
	707-E1-01430	7405-		P-UB-14	95 mm	135 mm	KOM-721-98-00170	307.55
BOOM LH	707-E1-02770	5001-		P-UB-14	90 mm	130 mm	KOM-721-98-02310	395.99
BOOM RH	707-E1-02770	5001-		P-UB-14	90 mm	130 mm	KOM-721-98-02310	395.99
BUCKET	707-E1-01480	5001-		P-UB-14	80 mm	115 mm	KOM-721-98-00710	276.28
MODEL PC240-6K								
ARM	206-63-K1140	K30001-		P-UB-14	95 mm	135 mm	KOM-707-99-57200	475.80
BOOM	206-63-K2120	K30001-		P-UB-14	95 mm	135 mm	KOM-206-63-K2120K	314.83
	206-63-K2150	K30001-		P-UB-14	120 mm	185 mm	KOM-206-63-K2150K	669.79
BOOM LH	206-63-K1240	K30001-		P-UB-14	95 mm	135 mm	KOM-206-63-K1240K	320.14
BOOM RH	206-63-K1250	K30001-		P-UB-14	95 mm	135 mm	KOM-206-63-K1250K	320.14
BUCKET	206-63-K2110	K30001-		P-UB-14	100 mm	140 mm	KOM-707-99-58240	758.82
MODEL PC240LC-6K								
ARM	206-63-K1140	K30001-		P-UB-14	95 mm	135 mm	KOM-707-99-57200	475.80
BOOM	206-63-K2120	K30001-		P-UB-14	95 mm	135 mm	KOM-206-63-K2120K	314.83
	206-63-K2150	K30001-		P-UB-14	120 mm	185 mm	KOM-206-63-K2150K	669.79
BOOM LH	206-63-K1240	K30001-		P-UB-14	95 mm	135 mm	KOM-206-63-K1240K	320.14
BOOM RH	206-63-K1250	K30001-		P-UB-14	95 mm	135 mm	KOM-206-63-K1250K	320.14
BUCKET	206-63-K2110	K30001-		P-UB-14	100 mm	140 mm	KOM-707-99-58240	758.82
MODEL PC240LC-7K								
ARM	707-01-XC120	K40019-		P-UB-14	100 mm	140 mm	KOM-707-99-58070	327.81
ARM (w/ Burst Valve)	707-01-XE050	K40019-		P-UB-14	100 mm	140 mm	KOM-707-99-58070	327.81
BOOM	707-01-0C040	K40019-		P-UB-14	95 mm	135 mm	KOM-707-99-50620	508.26
BOOM LIFT (2pc Boom)	707-01-0F050	K40019-		P-UB-14	100 mm	140 mm	KOM-707-99-58050	381.81
BUCKET (2, 2.5M Arm)	707-01-0A420	K40019-		P-UB-14	100 mm	140 mm	KOM-707-99-58060	655.53
BUCKET (3, 3.5M Arm)	707-01-XC130	K40019-		P-UB-14	90 mm	130 mm	KOM-707-99-47570	504.24
MODEL PC240LC-10								
ARM	707-E1-00180	A20001-UP		P-UB-14	100 mm	140 mm	KOM-707-99-59430	268.90
BOOM	707-E1-00200	A20001-UP		P-UB-14	95 mm	135 mm	KOM-707-99-50580	277.67
BUCKET	707-E1-00960	A20001-UP		P-UB-14	90 mm	130 mm	KOM-707-99-48710	270.93
TRACK ADJUSTER		A20001-		TRK ADJ			KOM-SK100173	164.01
		A20001-	kit w/ valve	TRK ADJ			KOM-SK100154	245.38
MODEL PC240LC-11								
ARM	707-E1-00180	95001-; A22001-		P-UB-14	100 mm	140 mm	KOM-721-98-00260	258.28
	707-E1-00180	95001-; A22001-		Bushing	100 mm		KOM-707-52-90781	58.59
BOOM	707-E1-00200	95001-; A22001-		P-UB-14	95 mm	135 mm	KOM-721-98-00280	290.71
	707-E1-00200	95001-; A22001-		Bushing	95 mm		KOM-707-52-90721	53.01
BUCKET	707-E1-00961	95001-; A22001-		P-UB-14	90 mm	130 mm	KOM-721-98-00270	239.40
	707-E1-00961	95001-; A22001-		Bushing	90 mm		KOM-707-52-90681	51.59
TRACK ADJUSTER		A22001-	kit w/ valve	TRK ADJ			KOM-SK100154	245.38
		A22001-		TRK ADJ			KOM-SK100173	164.01
MODEL PC240NLC-6K								
ARM	206-63-K1140	K30001-		P-UB-14	95 mm	135 mm	KOM-707-99-57200	475.80
BOOM	206-63-K2120	K30001-		P-UB-14	95 mm	135 mm	KOM-206-63-K2120K	314.83

LT - Large size tire L/S - Loading Shovel SLF - Super Long Front B/H - Backhoe HD - Heavy Duty L BUCKET - Large Bucket
 K-LINK - K-type Linkage Blade LB HI-LIFT - High Lift Arm w Large Bucket HI-LIFT - High Lift Arm S HI-LIFT - Super High Lift Arm
 SU - Semi-U Dozer PAT - Power Angle Power Tilt MP - Mult-Purpose

Replacement Kits For

KOMATSU

Excavators								
APPLICATION	CYL #	SERIAL #	Misc	CODE	ROD	BORE	KIT #	List \$
MODEL PC240NLC-6K								
BOOM	206-63-K2150	K30001-		P-UB-14	120 mm	185 mm	KOM-206-63-K2150K	669.79
BOOM LH	206-63-K1240	K30001-		P-UB-14	95 mm	135 mm	KOM-206-63-K1240K	320.14
BOOM RH	206-63-K1250	K30001-		P-UB-14	95 mm	135 mm	KOM-206-63-K1250K	320.14
BUCKET	206-63-K2110	K30001-		P-UB-14	100 mm	140 mm	KOM-707-99-58240	758.82
MODEL PC240NLC-7K								
ARM	707-01-XC120	K40019-		P-UB-14	100 mm	140 mm	KOM-707-99-58070	327.81
ARM (w/ Burst Valve)	707-01-XE050	K40019-		P-UB-14	100 mm	140 mm	KOM-707-99-58070	327.81
BOOM	707-01-0C040	K40019-		P-UB-14	95 mm	135 mm	KOM-707-99-50620	508.26
BOOM LIFT (2pc Boom)	707-01-0F050	K40019-		P-UB-14	100 mm	140 mm	KOM-707-99-58050	381.81
BUCKET (2, 2.5M Arm)	707-01-0A420	K40019-		P-UB-14	100 mm	140 mm	KOM-707-99-58060	655.53
BUCKET (3, 3.5M Arm)	707-01-XC130	K40019-		P-UB-14	90 mm	130 mm	KOM-707-99-47570	504.24
MODEL PC250LC-6								
ARM	206-63-03120	A83001-A83986		P-UB-14	100 mm	140 mm	KOM-707-99-58350	448.03
	206-63-03121	A83987-		P-UB-14	100 mm	140 mm	KOM-707-99-58350	448.03
	206-63-64740	A83001-A83986		P-UB-14	100 mm	140 mm	KOM-707-99-58350	448.03
	206-63-64741	A83987-		P-UB-14	100 mm	140 mm	KOM-707-99-58350	448.03
BUCKET (2M Arm)	206-63-02140	A83001-		P-UB-14	100 mm	140 mm	KOM-707-99-58240	758.82
	206-63-02140	A83001-		Bushing	100 mm		KOM-707-52-90750	83.66
BUCKET (3.05 HD Arm)	206-63-07030	A83001-		P-UB-14	90 mm	130 mm	KOM-707-98-47620	592.83
	206-63-07030	A83001-		Bushing	90 mm		KOM-707-52-90650	60.09
MODEL PC270-8								
ARM	707-01-0H950	20001-		P-UB-14	110 mm	150 mm	KOM-707-99-59740	812.87
	707-01-0K400	20001-		P-UB-14	110 mm	150 mm	KOM-707-99-59740	812.87
BOOM	707-01-0H930	20001-		P-UB-14	100 mm	140 mm	KOM-707-99-59320	490.08
	707-01-0K380	20001-		P-UB-14	100 mm	140 mm	KOM-707-99-59320	490.08
	707-01-0L941	25015-		P-UB-14	100 mm	140 mm	KOM-707-99-59320	490.08
BOOM LH	707-01-0H930	20001-		P-UB-14	100 mm	140 mm	KOM-707-99-59330	288.24
BOOM RH	707-01-0H930	20001-25014		P-UB-14	100 mm	140 mm	KOM-707-99-59330	288.24
	707-01-0H931	25015-		P-UB-14	100 mm	140 mm	KOM-707-99-59320	490.08
BUCKET	707-01-0H910	20001-		P-UB-14	100 mm	140 mm	KOM-707-99-59020	619.27
	707-01-0J900	20001-		P-UB-14	100 mm	140 mm	KOM-707-99-59020	619.27
	707-01-0J910	20001-		P-UB-14	100 mm	140 mm	KOM-707-99-59020	619.27
	707-01-0J920	20001-		P-UB-14	90 mm	130 mm	KOM-707-98-47720	504.34
MODEL PC270LC-7L								
ARM	707-01-0Z941	A86001-A86168		P-UB-14	110 mm	150 mm	KOM-707-99-59620	819.84
	707-01-0Z942	A86169-		P-UB-14	110 mm	150 mm	KOM-707-99-59620	819.84
	707-13-15240	A86001-		P-UB-14	110 mm	150 mm	KOM-707-99-59620	819.84
BOOM (Lrg Dia Type)	707-01-0A390	A86001-		P-UB-14	100 mm	140 mm	KOM-707-99-58050	381.81
	707-13-14560	A86001-		P-UB-14	100 mm	140 mm	KOM-707-99-58050	381.81
BUCKET	707-01-0A420	A86001-		P-UB-14	100 mm	140 mm	KOM-707-99-58060	655.53
	707-13-13570	A86001-		P-UB-14	100 mm	140 mm	KOM-707-99-58060	655.53
MODEL PC270LC-8								
ARM	707-01-0S910	A87001-		P-UB-14	110 mm	150 mm	KOM-707-99-59740	812.87
	707-13-15280	A87001-		P-UB-14	110 mm	150 mm	KOM-707-99-59740	812.87
BOOM	707-01-0H930	A87001-		P-UB-14	100 mm	140 mm	KOM-707-99-59320	490.08
	707-13-14860	A87001-		P-UB-14	100 mm	140 mm	KOM-707-99-59320	490.08
BUCKET	707-01-0H910	A87001-		P-UB-14	100 mm	140 mm	KOM-707-99-59020	619.27
	707-13-14840	A87001-		P-UB-14	100 mm	140 mm	KOM-707-99-59020	619.27
MODEL PC270LL-7L								
ARM	707-01-0Z942	A86001-		P-UB-14	110 mm	150 mm	KOM-707-99-59620	819.84
BOOM (Lrg Dia Type)	707-01-0A390	A86001-		P-UB-14	100 mm	140 mm	KOM-707-99-58050	381.81
BUCKET	707-01-0A380	A86001-		P-UB-14	90 mm	130 mm	KOM-707-99-47570	504.24
MODEL PC290LC-6K								
ARM	206-63-K1610	K30001-		P-UB-14	110 mm	150 mm	KOM-206-63-K1610K	383.92
BOOM	206-63-K1721	K30001-		P-UB-14	100 mm	140 mm	KOM-206-63-K1721K	304.60

LT - Large size tire L/S - Loading Shovel SLF - Super Long Front B/H - Backhoe HD - Heavy Duty L BUCKET - Large Bucket
 K-LINK - K-type Linkage Blade LB HI-LIFT - High Lift Arm w Large Bucket HI-LIFT - High Lift Arm S HI-LIFT - Super High Lift Arm
 SU - Semi-U Dozer PAT - Power Angle Power Tilt MP - Multi-Purpose

KOMATSU

KOMATSU

Replacement Kits For

Excavators								
APPLICATION	CYL #	SERIAL #	Misc	CODE	ROD	BORE	KIT #	List \$
MODEL PC290LC-6K								
BOOM (2pc)	206-63-K1980	K30001-		P-UB-14	100 mm	140 mm	KOM-206-63-K1980K	303.25
BUCKET	206-63-K1911	K30001-		P-UB-14	100 mm	140 mm	KOM-206-63-K1911K	468.44
MODEL PC290LC-7K								
ARM	707-01-0Z940	K40001-K40182		P-UB-14	110 mm	150 mm	KOM-707-99-59620	819.84
	707-01-0Z941	K40183-		P-UB-14	110 mm	150 mm	KOM-707-99-59620	819.84
BOOM	707-01-0A390	K40001-		P-UB-14	100 mm	140 mm	KOM-707-99-58050	381.81
BOOM LIFT	707-01-0F050	K40001-		P-UB-14	100 mm	140 mm	KOM-707-99-58050	381.81
BUCKET	707-01-0A420	K40001-		P-UB-14	100 mm	140 mm	KOM-707-99-58060	655.53
	707-01-0C860	K40001-		P-UB-14	90 mm	130 mm	KOM-707-99-47570	504.24
	707-01-0C870	K40001-		P-UB-14	100 mm	140 mm	KOM-707-99-58060	655.53
MODEL PC290LC-10								
ARM	707-E1-00400	A25001-UP		P-UB-14	110 mm	150 mm	KOM-707-99-59680	597.26
BOOM	707-E1-00380	A25001-UP		P-UB-14	100 mm	140 mm	KOM-707-99-59070	278.22
BUCKET	707-E1-00230	A25001-UP		P-UB-14	100 mm	140 mm	KOM-707-99-59080	223.74
MODEL PC290LC-11								
ARM	707-F1-00400	A27001-		P-UB-14	110 mm	150 mm	KOM-721-98-00420	750.87
	707-F1-00400	A27001-		Bushing	110 mm		KOM-707-52-90851	64.44
BOOM	707-F1-00380	A27001-		P-UB-14	100 mm	140 mm	KOM-721-98-00390	609.97
	707-F1-00380	A27001-		Bushing	100 mm		KOM-707-52-90781	58.59
BUCKET	707-E1-00230	A27001-		P-UB-14	100 mm	140 mm	KOM-721-98-00440	485.77
	707-E1-00230	A27001-		Bushing	100 mm		KOM-707-52-90781	58.59
MODEL PC290LL-11								
ARM	707-01-0L331	A29501-	Log Loader	P-UB-14	120 mm	185 mm	KOM-707-99-76160	819.17
	707-01-0L331	A29501-	Log Loader	Bushing	120 mm		KOM-707-52-90980	98.34
	707-F1-00400	A29501-	Road Builder	P-UB-14	110 mm	150 mm	KOM-721-98-00420	750.87
	707-F1-00400	A29501-	Road Builder	Bushing	110 mm		KOM-707-52-90851	64.44
BOOM	707-01-0L311	A29501-	Log Loader	P-UB-14	110 mm	150 mm	KOM-707-99-59650	639.90
	707-01-0L311	A29501-	Log Loader	Bushing	110 mm		KOM-707-52-90850	64.44
	707-F1-00380	A29501-	Road Builder	P-UB-14	100 mm	140 mm	KOM-721-98-00390	609.97
	707-F1-00380	A29501-	Road Builder	Bushing	100 mm		KOM-707-52-90781	58.59
BUCKET	707-E1-00230	A29501-	Road Builder	P-UB-14	100 mm	140 mm	KOM-721-98-00440	485.77
	707-E1-00230	A29501-	Road Builder	Bushing	100 mm		KOM-707-52-90781	58.59
HEEL	707-01-0L340	A29501-	Log Loader	P-UB-14	100 mm	140 mm	KOM-707-99-59020	619.27
	707-01-0L340	A29501-	Log Loader	Bushing	100 mm		KOM-707-52-90780	58.59
MODEL PC290NLC-6K								
ARM	206-63-K1610	K30001-		P-UB-14	110 mm	150 mm	KOM-206-63-K1610K	383.92
BOOM	206-63-K1721	K30001-		P-UB-14	100 mm	140 mm	KOM-206-63-K1721K	304.60
BOOM (2pc)	206-63-K1980	K30001-		P-UB-14	100 mm	140 mm	KOM-206-63-K1980K	303.25
BUCKET	206-63-K1911	K30001-		P-UB-14	100 mm	140 mm	KOM-206-63-K1911K	468.44
MODEL PC290NLC-7K								
ARM	707-01-0Z940	K40001-K40182		P-UB-14	110 mm	150 mm	KOM-707-99-59620	819.84
	707-01-0Z941	K40183-		P-UB-14	110 mm	150 mm	KOM-707-99-59620	819.84
BOOM	707-01-0A390	K40001-		P-UB-14	100 mm	140 mm	KOM-707-99-58050	381.81
BOOM LIFT	707-01-0F050	K40001-		P-UB-14	100 mm	140 mm	KOM-707-99-58050	381.81
BUCKET	707-01-0A420	K40001-		P-UB-14	100 mm	140 mm	KOM-707-99-58060	655.53
	707-01-0C860	K40001-		P-UB-14	90 mm	130 mm	KOM-707-99-47570	504.24
	707-01-0C870	K40001-		P-UB-14	100 mm	140 mm	KOM-707-99-58060	655.53
MODEL PC300-5, PC300LC-5								
ARM	207-63-02120	20001-		P-UB-14	110 mm	160 mm	KOM-707-99-67110	531.90
BOOM	207-63-02100	20001-		P-UB-14	100 mm	140 mm	KOM-707-99-58210	605.29
BUCKET	207-63-02130	20001-		P-UB-14	100 mm	140 mm	KOM-707-99-58110	555.51
MODEL PC300-6								
ARM	207-63-02120	80001-		P-UB-14	110 mm	160 mm	KOM-707-99-67110	531.90
	207-63-02120	80001-		Bushing	110 mm		KOM-707-52-90860	123.61
BOOM	207-63-02301	80001-		P-UB-14	100 mm	140 mm	KOM-707-99-58210	605.29
	207-63-02301	80001-		Bushing	100 mm		KOM-07177-01040	73.24

LT - Large size tire L/S - Loading Shovel SLF - Super Long Front B/H - Backhoe HD - Heavy Duty L BUCKET - Large Bucket
 K-LINK - K-type Linkage Blade LB HI-LIFT - High Lift Arm w Large Bucket HI-LIFT - High Lift Arm S HI-LIFT - Super High Lift Arm
 SU - Semi-U Dozer PAT - Power Angle Power Tilt MP - Multi-Purpose

FORMERLY LISTED REPAIR PARTS ARE AVAILABLE ONLINE AT WWW.HERCULESUS.COM
 OR BY CONTACTING YOUR REGIONAL HERCULES SALES TEAM.

Replacement Kits For

KOMATSU

Excavators								
APPLICATION	CYL #	SERIAL #	Misc	CODE	ROD	BORE	KIT #	List \$
MODEL PC300-6								
BOOM	207-63-02501	33001-		P-UB-14	100 mm	140 mm	KOM-707-99-58360	486.57
BUCKET	207-63-02130	80001-		P-UB-14	100 mm	140 mm	KOM-707-99-58110	555.51
	207-63-02130	80001-		Bushing	100 mm		KOM-707-52-90750	83.66
MODEL PC300-7								
ARM	707-01-0A450	J20001-		P-UB-14	110 mm	160 mm	KOM-707-99-67090	636.39
BOOM	707-01-0A430	J20001-		P-UB-14	100 mm	140 mm	KOM-707-99-58080	445.77
BUCKET	707-01-0A460	J20001-		P-UB-14	100 mm	140 mm	KOM-707-99-58090	600.63
	707-01-0A470	J20001-		P-UB-14	110 mm	150 mm	KOM-707-99-59610	614.81
MODEL PC300HD-7E0								
ARM	707-01-0A452	A86001-		P-UB-14	110 mm	160 mm	KOM-707-99-72300	391.68
BOOM	707-01-0A430	A86001-		P-UB-14	100 mm	140 mm	KOM-707-99-58080	445.77
BUCKET	707-01-0H770	A86001-		P-UB-14	100 mm	140 mm	KOM-707-99-58090	600.63
MODEL PC300HD-7L								
ARM	707-01-0A450	A85001-		P-UB-14	110 mm	160 mm	KOM-707-99-67090	636.39
BOOM	707-01-0A430	A85001-		P-UB-14	100 mm	140 mm	KOM-707-99-58080	445.77
BUCKET	707-01-0A461	A85001-		P-UB-14	100 mm	140 mm	KOM-707-99-58090	600.63
	707-01-0A471	A85001-		P-UB-14	110 mm	150 mm	KOM-707-99-59610	614.81
MODEL PC300HD-8								
ARM	707-01-0A452	A87001-		P-UB-14	110 mm	160 mm	KOM-707-99-72300	391.68
	707-01-0A452	A87001-		Bushing	110 mm		KOM-707-52-90850	64.44
BOOM	707-01-0A431	A87001-		P-UB-14	100 mm	140 mm	KOM-707-99-58080	445.77
	707-01-0A431	A87001-		Bushing	100 mm		KOM-707-52-90780	58.59
BUCKET	707-01-0H771	A87001-	3.2m, 4.0m Arm	P-UB-14	100 mm	140 mm	KOM-707-99-58090	600.63
	707-01-0H771	A87001-	3.2m, 4.0m Arm	Bushing	100 mm		KOM-707-52-90780	58.59
	707-01-0H781	A87001-	2.2m, 2.6m Arm	P-UB-14	110 mm	150 mm	KOM-707-99-59610	614.81
	707-01-0H781	A87001-	2.2m, 2.6m Arm	Bushing	110 mm		KOM-707-52-90850	64.44
MODEL PC300LC-7								
ARM	707-01-0A450	40001-		P-UB-14	110 mm	160 mm	KOM-707-99-67090	636.39
	707-01-0A451	41266-46350		P-UB-14	110 mm	160 mm	KOM-707-99-72300	391.68
	707-01-0A452	46351-		P-UB-14	110 mm	160 mm	KOM-707-99-72300	391.68
	707-01-0C600	40001-46350		P-UB-14	110 mm	160 mm	KOM-707-99-67090	636.39
	707-01-0C601	46351-		P-UB-14	110 mm	160 mm	KOM-707-99-72300	391.68
BOOM	707-01-0A430	40001-46350		P-UB-14	100 mm	140 mm	KOM-707-99-58080	445.77
	707-01-0A431	46351-		P-UB-14	100 mm	140 mm	KOM-707-99-58080	445.77
	707-01-0C580	40001-46350		P-UB-14	100 mm	140 mm	KOM-707-99-58080	445.77
	707-01-0C581	46351-		P-UB-14	100 mm	140 mm	KOM-707-99-58080	445.77
	707-01-0E230	40001-46350		P-UB-14	100 mm	140 mm	KOM-707-99-58030	348.66
	707-01-0E231	46351-		P-UB-14	100 mm	140 mm	KOM-707-99-58030	348.66
	707-01-0A460	40001-40836		P-UB-14	100 mm	140 mm	KOM-707-99-58090	600.63
BUCKET	707-01-0A461	40837-		P-UB-14	100 mm	140 mm	KOM-707-99-58090	600.63
	707-01-0A463	41266-46350		P-UB-14	100 mm	140 mm	KOM-707-99-58090	600.63
	707-01-0A464	46351-		P-UB-14	100 mm	140 mm	KOM-707-99-58090	600.63
	707-01-0A470	40001-40527		P-UB-14	110 mm	150 mm	KOM-707-99-59610	614.81
	707-01-0A471	40528-		P-UB-14	110 mm	150 mm	KOM-707-99-59610	614.81
	707-01-0A473	41266-46350		P-UB-14	110 mm	150 mm	KOM-707-99-59610	614.81
	707-01-0A474	46351-		P-UB-14	110 mm	150 mm	KOM-707-99-59610	614.81
	707-01-0C610	40001-40527		P-UB-14	100 mm	140 mm	KOM-707-99-58090	600.63
	707-01-0C611	40528-46350		P-UB-14	100 mm	140 mm	KOM-707-99-58090	600.63
	707-01-0C612	46351-		P-UB-14	100 mm	140 mm	KOM-707-99-58090	600.63
	707-01-0C620	40001-40527		P-UB-14	110 mm	150 mm	KOM-707-99-59610	614.81
	707-01-0C621	40528-46350		P-UB-14	110 mm	150 mm	KOM-707-99-59610	614.81
	707-01-0C622	46351-		P-UB-14	110 mm	150 mm	KOM-707-99-59610	614.81

LT - Large size tire L/S - Loading Shovel SLF - Super Long Front B/H - Backhoe HD - Heavy Duty L BUCKET - Large Bucket
 K-LINK - K-type Linkage Blade LB HI-LIFT - High Lift Arm w Large Bucket HI-LIFT - High Lift Arm S HI-LIFT - Super High Lift Arm
 SU - Semi-U Dozer PAT - Power Angle Power Tilt MP - Multi-Purpose

KOMATSU

Replacement Kits For

KOMATSU

Excavators								
APPLICATION	CYL #	SERIAL #	Misc	CODE	ROD	BORE	KIT #	List \$
MODEL PC300LC-7								
BUCKET	707-01-0H780	41266-46350		P-UB-14	110 mm	150 mm	KOM-707-99-59610	614.81
	707-01-0H781	46351-		P-UB-14	110 mm	150 mm	KOM-707-99-59610	614.81
MODEL PC300LC-7E0								
ARM	707-01-0A451	50001-55786		P-UB-14	110 mm	160 mm	KOM-707-99-72300	391.68
	707-01-0A452	55787-		P-UB-14	110 mm	160 mm	KOM-707-99-72300	391.68
	707-01-0A452	A88001-		P-UB-14	110 mm	160 mm	KOM-707-99-72300	391.68
	707-01-0C600	50001-55786		P-UB-14	110 mm	160 mm	KOM-707-99-67090	636.39
BOOM	707-01-0C601	55787-		P-UB-14	110 mm	160 mm	KOM-707-99-72300	391.68
	707-01-0A430	50001-55786		P-UB-14	100 mm	140 mm	KOM-707-99-58080	445.77
	707-01-0A431	55787-		P-UB-14	100 mm	140 mm	KOM-707-99-58080	445.77
	707-01-0A431	A88001-		P-UB-14	100 mm	140 mm	KOM-707-99-58080	445.77
BUCKET	707-01-0C580	50001-55786		P-UB-14	100 mm	140 mm	KOM-707-99-58080	445.77
	707-01-0C581	55787-		P-UB-14	100 mm	140 mm	KOM-707-99-58080	445.77
	707-01-0C611	50001-55786		P-UB-14	100 mm	140 mm	KOM-707-99-58090	600.63
	707-01-0C612	55787-		P-UB-14	100 mm	140 mm	KOM-707-99-58090	600.63
BUCKET	707-01-0C621	50001-55786		P-UB-14	110 mm	150 mm	KOM-707-99-59610	614.81
	707-01-0C622	55787-		P-UB-14	110 mm	150 mm	KOM-707-99-59610	614.81
	707-01-0H770	50001-55786		P-UB-14	100 mm	140 mm	KOM-707-99-58090	600.63
	707-01-0H771	55787-		P-UB-14	100 mm	140 mm	KOM-707-99-58090	600.63
	707-01-0H771	A88001-		P-UB-14	100 mm	140 mm	KOM-707-99-58090	600.63
	707-01-0H780	50001-55786		P-UB-14	110 mm	150 mm	KOM-707-99-59610	614.81
	707-01-0H781	55787-		P-UB-14	110 mm	150 mm	KOM-707-99-59610	614.81
	707-01-0H781	A88001-		P-UB-14	110 mm	150 mm	KOM-707-99-59610	614.81
MODEL PC300LC-7L								
ARM	707-01-XA450	A85001-		P-UB-14	110 mm	160 mm	KOM-707-99-67090	636.39
BOOM	707-01-0A430	A85001-		P-UB-14	100 mm	140 mm	KOM-707-99-58080	445.77
BUCKET	707-01-0A461	A85001-		P-UB-14	100 mm	140 mm	KOM-707-99-58090	600.63
	707-01-0A471	A85001-		P-UB-14	110 mm	150 mm	KOM-707-99-59610	614.81
TRACK ADJUSTER		A85001-		TRK ADJ			KOM-SK100143	59.53
		A85001-	kit w/ valve	TRK ADJ			KOM-SK100127	120.55
MODEL PC300LC-8								
ARM	707-01-0A452	A90001-		P-UB-14	110 mm	160 mm	KOM-707-99-72300	391.68
	707-01-0A452	A90001-		Bushing	110 mm		KOM-707-52-90850	64.44
BOOM	707-01-0A431	A90001-		P-UB-14	100 mm	140 mm	KOM-707-99-58080	445.77
	707-01-0A431	A90001-		Bushing	100 mm		KOM-707-52-90780	58.59
BUCKET	707-01-0H771	A90001-	3.2m, 4.0m Arm	P-UB-14	100 mm	140 mm	KOM-707-99-58090	600.63
	707-01-0H771	A90001-	3.2m, 4.0m Arm	Bushing	100 mm		KOM-707-52-90780	58.59
	707-01-0H781	A90001-	2.2m, 2.6m Arm	P-UB-14	110 mm	150 mm	KOM-707-99-59610	614.81
	707-01-0H781	A90001-	2.2m, 2.6m Arm	Bushing	110 mm		KOM-707-52-90850	64.44
TRACK ADJUSTER		A90001-		TRK ADJ			KOM-SK100143	59.53
		A90001-	kit w/ valve	TRK ADJ			KOM-SK100127	120.55
MODEL PC300LL-7E0								
ARM	707-01-0A451	A86001-		P-UB-14	110 mm	160 mm	KOM-707-99-72300	391.68
	707-01-0L350	A86001-		P-UB-14	140 mm	200 mm	KOM-707-99-77140	571.76
BOOM	707-01-0A430	A86001-		P-UB-14	100 mm	140 mm	KOM-707-99-58080	445.77
BOOM LIFT	707-01-0L140	A86001-		P-UB-14	110 mm	160 mm	KOM-707-99-67870	439.12
BUCKET	707-01-0H770	A86001-		P-UB-14	100 mm	140 mm	KOM-707-99-58090	600.63
HEEL	707-01-0H821	A86001-		P-UB-14	100 mm	160 mm	KOM-707-99-66240	479.54
MODEL PC300LL-7L								
ARM	707-01-0A450	A85001-		P-UB-14	110 mm	160 mm	KOM-707-99-67090	636.39
BOOM	707-01-0A430	A85001-		P-UB-14	100 mm	140 mm	KOM-707-99-58080	445.77
BUCKET	707-01-0A460	A85001-		P-UB-14	100 mm	140 mm	KOM-707-99-58090	600.63

LT - Large size tire L/S - Loading Shovel SLF - Super Long Front B/H - Backhoe HD - Heavy Duty L BUCKET - Large Bucket
 K-LINK - K-type Linkage Blade LB HI-LIFT - High Lift Arm w Large Bucket HI-LIFT - High Lift Arm S HI-LIFT - Super High Lift Arm
 SU - Semi-U Dozer PAT - Power Angle Power Tilt MP - Multi-Purpose

FORMERLY LISTED REPAIR PARTS ARE AVAILABLE ONLINE AT WWW.HERCULESUS.COM
 OR BY CONTACTING YOUR REGIONAL HERCULES SALES TEAM.

KOMATSU

Replacement Kits For

Excavators								
APPLICATION	CYL #	SERIAL #	Misc	CODE	ROD	BORE	KIT #	List \$
MODEL PC308USLC-3								
ARM	707-01-0Z941	20001-		P-UB-14	110 mm	150 mm	KOM-707-99-59620	819.84
BOOM	707-01-0A390	20001-		P-UB-14	100 mm	140 mm	KOM-707-99-58080	445.77
BUCKET	707-01-0A420	20001-		P-UB-14	100 mm	140 mm	KOM-707-99-58060	655.53
MODEL PC308USLC-3E0-W1								
ARM	707-01-0H950	30001-		P-UB-14	110 mm	150 mm	KOM-707-99-59740	812.87
BOOM	707-01-0H930	30001-		P-UB-14	100 mm	140 mm	KOM-707-99-59320	490.08
BUCKET	707-01-0H910	30001-		P-UB-14	100 mm	140 mm	KOM-707-99-59020	619.27
	707-01-0H960	30001-		P-UB-14	100 mm	140 mm	KOM-707-99-59020	619.27
	707-01-0J860	30001-		P-UB-14	90 mm	130 mm	KOM-707-98-47720	504.34
MODEL PC340-6K								
ARM	207-63-02120	K30001-		P-UB-14	110 mm	160 mm	KOM-707-99-67110	531.90
BOOM	207-63-K1230	K30001-		P-UB-14	100 mm	140 mm	KOM-207-63-K1230K	292.90
	207-63-K1230	K30188-		P-UB-14	100 mm	140 mm	KOM-207-63-K1230K	292.90
BUCKET	207-63-02130	K30001-		P-UB-14	100 mm	140 mm	KOM-707-99-58110	555.51
MODEL PC340LC-6K								
ARM	207-63-02120	K30001-		P-UB-14	110 mm	160 mm	KOM-707-99-67110	531.90
BOOM	207-63-K1230	K30001-		P-UB-14	100 mm	140 mm	KOM-207-63-K1230K	292.90
	207-63-K1230	K30188-		P-UB-14	100 mm	140 mm	KOM-207-63-K1230K	292.90
BUCKET	207-63-02130	K30001-		P-UB-14	100 mm	140 mm	KOM-707-99-58110	555.51
MODEL PC340LC-7K								
ARM	707-01-0A450	K40001-		P-UB-14	110 mm	160 mm	KOM-707-99-67090	636.39
ARM (w/ Burst Valve)	707-01-0A450	K40001-		P-UB-14	110 mm	160 mm	KOM-707-99-67090	636.39
BOOM	701-01-0A430	K40001-		P-UB-14	100 mm	140 mm	KOM-707-99-58080	445.77
BUCKET (2.2, 2.6M Arm)	707-01-0A470	K40001-		P-UB-14	110 mm	150 mm	KOM-707-99-59610	614.81
BUCKET (3.2, 4M Arm)	707-01-0A460	K40001-		P-UB-14	100 mm	140 mm	KOM-707-99-58090	600.63
MODEL PC340NLC-6K								
ARM	207-63-02120	K30001-		P-UB-14	110 mm	160 mm	KOM-707-99-67110	531.90
BOOM	207-63-K1230	K30001-		P-UB-14	100 mm	140 mm	KOM-207-63-K1230K	292.90
	207-63-K1230	K30188-		P-UB-14	100 mm	140 mm	KOM-207-63-K1230K	292.90
BUCKET	207-63-02130	K30001-		P-UB-14	100 mm	140 mm	KOM-707-99-58110	555.51
MODEL PC340NLC-7K								
ARM	707-01-0A450	K40001-		P-UB-14	110 mm	160 mm	KOM-707-99-67090	636.39
ARM (w/ Burst Valve)	707-01-0A450	K40001-		P-UB-14	110 mm	160 mm	KOM-707-99-67090	636.39
BOOM	701-01-0A430	K40001-		P-UB-14	100 mm	140 mm	KOM-707-99-58080	445.77
BUCKET (2.2, 2.6M Arm)	707-01-0A470	K40001-		P-UB-14	110 mm	150 mm	KOM-707-99-59610	614.81
BUCKET (3.2, 4M Arm)	707-01-0A460	K40001-		P-UB-14	100 mm	140 mm	KOM-707-99-58090	600.63
MODEL PC350-6								
ARM	207-63-02341	10001-11999		P-UB-14	110 mm	160 mm	KOM-707-99-67110	531.90
	207-63-02541	12001-		P-UB-14	110 mm	160 mm	KOM-707-99-67280	507.61
BOOM	207-63-02301	10001-11999		P-UB-14	100 mm	140 mm	KOM-707-99-58210	605.29
	207-63-02501	12001-		P-UB-14	100 mm	140 mm	KOM-707-99-58360	486.57
BUCKET	207-63-02130	10001-11999		P-UB-14	100 mm	140 mm	KOM-707-99-58110	555.51
	207-63-02531	12001-		P-UB-14	100 mm	140 mm	KOM-707-99-58370	635.54
MODEL PC350LC-8								
ARM	707-01-0A452	A10001-UP		P-UB-14	110 mm	160 mm	KOM-707-99-72300	391.68
	707-01-0C601	B10001-UP		P-UB-14	110 mm	160 mm	KOM-707-99-72300	391.68
	707-01-0C622	B10001-UP	Arm, 2.6m	P-UB-14	110 mm	150 mm	KOM-707-99-59610	614.81
BOOM	707-01-0A431	A10001-UP		P-UB-14	100 mm	140 mm	KOM-707-99-58080	445.77
	707-01-0C581	B10001-UP		P-UB-14	100 mm	140 mm	KOM-707-99-58080	445.77
BUCKET	707-01-0C612	B10001-UP	Arm, 3.2m	P-UB-14	100 mm	140 mm	KOM-707-99-58090	600.63
	707-01-0C622	B10001-UP	Arm, 2.6m	P-UB-14	110 mm	150 mm	KOM-707-99-59610	614.81
	707-01-0H771	A10001-UP	3.2m to 4.0m Arm	P-UB-14	100 mm	140 mm	KOM-707-99-58090	600.63
	707-01-0H781	A10001-UP	2.2m to 2.6m Arm	P-UB-14	110 mm	150 mm	KOM-707-99-59610	614.81

LT - Large size tire L/S - Loading Shovel SLF - Super Long Front B/H - Backhoe HD - Heavy Duty L BUCKET - Large Bucket
 K-LINK - K-type Linkage Blade LB HI-LIFT - High Lift Arm w Large Bucket HI-LIFT - High Lift Arm S HI-LIFT - Super High Lift Arm
 SU - Semi-U Dozer PAT - Power Angle Power Tilt MP - Mulit-Purpose

Replacement Kits For

KOMATSU

Excavators

APPLICATION	CYL #	SERIAL #	Misc	CODE	ROD	BORE	KIT #	List \$
MODEL PC360LC-10								
ARM	707-E1-00701	A32001-UP		P-UB-14	110mm	160mm	KOM-707-99-72080	660.02
	707-E1-00701	A32001-UP		Bushing	110 mm		KOM-707-52-90851	64.44
BOOM	707-E1-00680	A32001-UP		P-UB-14	100mm	140mm	KOM-707-99-59140	296.52
BUCKET	707-E1-00710	A32001-UP		P-UB-14	100mm	140mm	KOM-707-99-59150	303.49
	707-F1-01280	A32001-UP	2.2m to 2.6m Arm	P-UB-14	110mm	150mm	KOM-707-99-59550	781.29
MODEL PC360LC-11								
ARM	707-E1-00702	90001-; A35001-		P-UB-14	110 mm	160 mm	KOM-721-98-00520	494.78
	707-E1-00702	90001-; A35001-		Bushing	110 mm		KOM-707-52-90851	64.44
BOOM	707-E1-00681	90001-; A35001-		P-UB-14	100 mm	140 mm	KOM-721-98-00510	279.58
	707-E1-00681	90001-; A35001-		Bushing	100 mm		KOM-707-52-90781	58.59
BUCKET	707-E1-00710	90001-; A35001-		P-UB-14	100 mm	140 mm	KOM-721-98-00610	260.96
	707-E1-00710	90001-; A35001-		Bushing	100 mm		KOM-707-52-90781	58.59
TRACK ADJUSTER		A35001-		TRK ADJ			KOM-SK100144	147.56
		A35001-	kit w/ valve	TRK ADJ			KOM-SK100128	196.46
MODEL PC360LCi-11								
ARM	707-G7-00260	90156-		P-UB-14	110 mm	160 mm	KOM-721-98-01981	778.81
	707-G7-00260	90156-		Bushing	110 mm		KOM-707-52-15730	60.35
	707-G7-00260	90156-		Bushing	110 mm		KOM-707-52-90851	64.44
	707-G7-00261	A38001-		P-UB-14	110 mm	160 mm	KOM-721-98-01981	778.81
	707-G7-00261	A38001-		Bushing	110 mm		KOM-707-52-15730	60.35
	707-G7-00261	A38001-		Bushing	110 mm		KOM-707-52-90851	64.44
BOOM LH	707-G7-00220	90156-90303		P-UB-14	100 mm	140 mm	KOM-721-98-01960	341.42
	707-G7-00220	90156-90303		Bushing	100 mm		KOM-707-52-90781	58.59
	707-G7-00221	90156-; A38001-		P-UB-14	100 mm	140 mm	KOM-721-98-02600	600.33
	707-G7-00221	90156-; A38001-		Bushing	100 mm		KOM-707-52-15700	42.09
BOOM RH	707-G7-00221	90156-; A38001-		Bushing	100 mm		KOM-707-52-90781	58.59
	707-G1-04170	90156-90303		P-UB-14	100 mm	140 mm	KOM-721-98-01970	291.57
	707-G1-04170	90156-90303		Bushing	100 mm		KOM-707-52-90781	58.59
	707-G1-04171	90304-; A38001-		P-UB-14	100 mm	140 mm	KOM-721-98-01970	291.57
BUCKET	707-G1-04171	90304-; A38001-		Bushing	100 mm		KOM-707-52-90781	58.59
	707-G7-00270	90156-90563		P-UB-14	100 mm	140 mm	KOM-721-98-01990	399.01
	707-G7-00270	90156-90563		Bushing	100 mm		KOM-707-52-15700	42.09
	707-G7-00270	90156-90563		Bushing	100 mm		KOM-707-52-90781	58.59
	707-G7-00271	90564-; A38001-		P-UB-14	100 mm	140 mm	KOM-721-98-01990	399.01
	707-G7-00271	90564-; A38001-		Bushing	100 mm		KOM-707-52-15700	42.09
TRACK ADJUSTER	2A7-30-00011	90156-; A38001-	w/ valve	TRK ADJ			KOM-SK100128	196.46
	2A7-30-00011	90156-; A38001-		TRK ADJ			KOM-SK100144	147.56
MODEL PC400-5 L/S								
ARM	208-63-03120	20001-		P-UB-14	120 mm	185 mm	KOM-707-99-68510	614.67
	208-63-03120	20001-		Bushing	120 mm		KOM-707-52-90950	116.48
BOOM	208-63-03100	20001-		P-UB-14	110 mm	160 mm	KOM-707-99-67121	380.81
	208-63-03100	20001-		Bushing	110 mm		KOM-707-52-90860	123.61
BOTTOM DUMP	208-63-03150	20001-		P-U-14	90 mm	130 mm	KOM-707-98-47600	500.87
BUCKET	208-63-03130	20001-		P-UB-14	95 mm	135 mm	KOM-707-99-57200	475.80
	208-63-03130	20001-		Bushing	95 mm		KOM-707-52-90710	67.11
MODEL PC400-5, PC400LC-5								
ARM	208-63-02120	20001-		P-UB-14	120 mm	185 mm	KOM-707-99-68510	614.67
BOOM	208-63-02100	20001-		P-UB-14	110 mm	160 mm	KOM-707-99-67120	561.72
	208-63-02100	20001-		Bushing	110 mm		KOM-707-52-90860	123.61
BUCKET	208-63-02130	20001-		P-UB-14	110 mm	160 mm	KOM-707-99-67010	649.08
MODEL PC400-6								
ARM (B/H)	208-63-02120	30001-31999		P-UB-14	120 mm	185 mm	KOM-707-99-68510	614.67
	208-63-02521	32001-		P-UB-14	120 mm	185 mm	KOM-707-99-68560	1071.86
ARM (L/S)	208-63-03120	30001-		P-UB-14	120 mm	185 mm	KOM-707-99-68510	614.67

LT - Large size tire L/S - Loading Shovel SLF - Super Long Front B/H - Backhoe HD - Heavy Duty L BUCKET - Large Bucket
 K-LINK - K-type Linkage Blade LB HI-LIFT - High Lift Arm w Large Bucket HI-LIFT - High Lift Arm S HI-LIFT - Super High Lift Arm
 SU - Semi-U Dozer PAT - Power Angle Power Tilt MP - Mult-Purpose

FORMERLY LISTED REPAIR PARTS ARE AVAILABLE ONLINE AT WWW.HERCULESUS.COM
 OR BY CONTACTING YOUR REGIONAL HERCULES SALES TEAM.

KOMATSU

Replacement Kits For

Excavators	APPLICATION	CYL #	SERIAL #	Misc	CODE	ROD	BORE	KIT #	List \$
MODEL PC400-6									
BOOM (B/H)	208-63-02301	30001-31999			P-UB-14	110 mm	160 mm	KOM-707-99-67120	561.72
	208-63-02501	32001-			P-UB-14	110 mm	160 mm	KOM-707-99-67300	687.41
BOTTOM DUMP (L/S)	208-63-03150				P-UB-14	90 mm	130 mm	KOM-707-99-47600	390.55
BUCKET (B/H)	207-63-02531	32001-			P-UB-14	110 mm	160 mm	KOM-707-99-67310	749.07
	208-63-02130	30001-31999			P-UB-14	110 mm	160 mm	KOM-707-99-67010	649.08
BUCKET (L/S)	208-63-03130	30001-			P-UB-14	95 mm	135 mm	KOM-707-99-57200	475.80
MODEL PC400-7, PC400LC-7									
ARM	707-01-0F690	50001-50146			P-UB-14	120 mm	185 mm	KOM-707-99-68780	659.05
	707-01-0F691	50147-			P-UB-14	120 mm	185 mm	KOM-707-99-68780	659.05
	707-01-0F710	50001-			P-UB-14	130 mm	185 mm	KOM-707-99-69710	727.99
	707-01-0F741	50001-			P-UB-14	120 mm	185 mm	KOM-707-99-68780	659.05
	707-01-0F810	50001-			P-UB-14	120 mm	185 mm	KOM-707-99-68780	659.05
	707-01-0F840	50001-			P-UB-14	120 mm	185 mm	KOM-707-99-68780	659.05
	707-01-0G370	50001-			P-UB-14	120 mm	185 mm	KOM-707-99-68780	659.05
BOOM	707-01-0G570	50197-	PC400-7		P-UB-14	130 mm	185 mm	KOM-707-99-69740	726.57
	707-01-0F670	50001-			P-UB-14	110 mm	160 mm	KOM-707-99-67870	439.12
	707-01-0F790	50001-			P-UB-14	110 mm	160 mm	KOM-707-99-67870	439.12
	707-01-0G350	50001-			P-UB-14	110 mm	160 mm	KOM-707-99-67090	636.39
BUCKET	707-01-0G550	50197-	PC400-7		P-UB-14	110 mm	160 mm	KOM-707-99-67070	393.48
	707-01-0G400	50001-			P-UB-14	90 mm	130 mm	KOM-707-99-47800	284.48
BUCKET	707-01-0F700	50001-50419			P-UB-14	100 mm	160 mm	KOM-707-99-66240	479.54
	707-01-0F701	50420-50472			P-UB-14	100 mm	160 mm	KOM-707-99-66240	479.54
	707-01-0F702	50473-			P-UB-14	110 mm	160 mm	KOM-707-99-72240	597.86
	707-01-0F820	50001-50472			P-UB-14	100 mm	160 mm	KOM-707-99-66240	479.54
	707-01-0F821	50473-			P-UB-14	110 mm	160 mm	KOM-707-99-72240	597.86
	707-01-0G580	50197-50295	PC400-7		P-UB-14	110 mm	160 mm	KOM-707-99-72240	597.86
	707-01-0G581	50296-50472	PC400-7		P-UB-14	110 mm	160 mm	KOM-707-99-72240	597.86
	707-01-0G582	50473-	PC400-7		P-UB-14	110 mm	160 mm	KOM-707-99-72240	597.86
	MODEL PC400-7E0, PC400LC-7E0								
ARM	707-01-0F691	60001-			P-UB-14	120 mm	185 mm	KOM-707-99-68780	659.05
	707-01-0F691	A87001-	LC-7E0		P-UB-14	120 mm	185 mm	KOM-707-99-68780	659.05
	707-01-0F711	60001-			P-UB-14	130 mm	185 mm	KOM-707-99-69710	727.99
	707-01-0F711	A87001-	LC-7E0		P-UB-14	130 mm	185 mm	KOM-707-99-69710	727.99
	707-01-0F741	60001-			P-UB-14	120 mm	185 mm	KOM-707-99-68780	659.05
	707-01-0F741	A87001-	LC-7E0		P-UB-14	120 mm	185 mm	KOM-707-99-68780	659.05
	707-01-0F810	60001-			P-UB-14	120 mm	185 mm	KOM-707-99-68780	659.05
BOOM	707-01-0G370	60001-			P-UB-14	120 mm	185 mm	KOM-707-99-68780	659.05
	707-01-0F670	60001-			P-UB-14	110 mm	160 mm	KOM-707-99-67870	439.12
	707-01-0F670	A87001-	LC-7E0		P-UB-14	110 mm	160 mm	KOM-707-99-67870	439.12
	707-01-0F790	60001-			P-UB-14	110 mm	160 mm	KOM-707-99-67870	439.12
BUCKET	707-01-0G350	60001-			P-UB-14	110 mm	160 mm	KOM-707-99-67090	636.39
	707-01-0G400	60001-			P-UB-14	90 mm	130 mm	KOM-707-99-47800	284.48
BUCKET	707-01-0F702	60001-			P-UB-14	110 mm	160 mm	KOM-707-99-72240	597.86
	707-01-0F702	A87001-	LC-7E0		P-UB-14	110 mm	160 mm	KOM-707-99-72240	597.86
	707-01-0F821	60001-			P-UB-14	110 mm	160 mm	KOM-707-99-72240	597.86
	707-01-0G380	60001-			P-UB-14	95 mm	135 mm	KOM-707-99-50650	326.54
WEIGHT REMOVER	707-00-0F111	A87001-	LC-7E0	P-U-14	60 mm	120 mm	KOM-707-98-41170	138.27	
MODEL PC400LC-7L									
ARM	707-01-0F690	A86001-			P-UB-14	120 mm	185 mm	KOM-707-99-68780	659.05
	707-01-0F710	A86001-			P-UB-14	130 mm	185 mm	KOM-707-99-69710	727.99
BOOM	707-01-0F670	A86001-			P-UB-14	110 mm	160 mm	KOM-707-99-67870	439.12
BUCKET	707-01-0F700	A86001-			P-UB-14	100 mm	160 mm	KOM-707-99-66240	479.54
MODEL PC400LC-8									
ARM	707-01-0F691	A88001-			P-UB-14	120 mm	185 mm	KOM-707-99-68780	659.05
	707-01-0F691	A88001-			Bushing	120 mm		KOM-707-52-90980	98.34

LT - Large size tire L/S - Loading Shovel SLF - Super Long Front B/H - Backhoe HD - Heavy Duty L BUCKET - Large Bucket
K-LINK - K-type Linkage Blade LB HI-LIFT - High Lift Arm w Large Bucket HI-LIFT - High Lift Arm S HI-LIFT - Super High Lift Arm
SU - Semi-U Dozer PAT - Power Angle Power Tilt MP - Multi-Purpose

Replacement Kits For

KOMATSU

Excavators								
APPLICATION	CYL #	SERIAL #	Misc	CODE	ROD	BORE	KIT #	List \$
MODEL PC400LC-8								
ARM	707-01-0F711	A88001-		P-UB-14	130 mm	185 mm	KOM-707-99-69710	727.99
	707-01-0F711	A88001-		Bushing	130 mm		KOM-707-52-91070	108.17
	707-01-0F741	A88001-	2.4m Arm	P-UB-14	120 mm	185 mm	KOM-707-99-68780	659.05
	707-01-0F741	A88001-	2.4m Arm	Bushing	120 mm		KOM-707-52-90980	98.34
BOOM	707-01-0F670	A88001-		P-UB-14	110 mm	160 mm	KOM-707-99-67870	439.12
	707-01-0F670	A88001-		Bushing	110 mm		KOM-707-52-90850	64.44
BUCKET	707-01-0F702	A88001-		P-UB-14	110 mm	160 mm	KOM-707-99-72240	597.86
	707-01-0F702	A88001-		Bushing	110 mm		KOM-707-52-90850	64.44
TRACK ADJUSTER		A88001-		TRK ADJ			KOM-SK100145	63.07
		A88001-	kit w/ valve	TRK ADJ			KOM-SK100129	124.10
MODEL PC450-6								
ARM	208-63-02341	10001-11999		P-UB-14	130 mm	185 mm	KOM-707-99-69500	733.88
MODEL PC450-6K								
ARM	208-63-K2120	K30001-		P-UB-14	120 mm	185 mm	KOM-707-99-68510	614.67
BOOM	208-63-K2301	K30075-		P-UB-14	110 mm	160 mm	KOM-707-99-67120	561.72
	208-63-K2320	K30001-K30074		P-UB-14	110 mm	160 mm	KOM-707-99-67120	561.72
BUCKET	208-63-02130	K30001-		P-UB-14	110 mm	160 mm	KOM-707-99-67010	649.08
MODEL PC450-7K								
ARM	707-01-0F691	K40001-		P-UB-14	120 mm	185 mm	KOM-707-99-68780	659.05
ARM (2.4M Arm)	707-01-0F741	K40001-		P-UB-14	120 mm	185 mm	KOM-707-99-68780	659.05
ARM (w/ Burst Valve)	707-01-0F691	K40001-		P-UB-14	120 mm	185 mm	KOM-707-99-68780	659.05
BOOM	707-01-0F670	K40001-		P-UB-14	110 mm	160 mm	KOM-707-99-67870	439.12
BUCKET	707-01-0F700	K40001-		P-UB-14	100 mm	160 mm	KOM-707-99-66240	479.54
MODEL PC450LC-6K								
ARM	208-63-K2120	K30001-		P-UB-14	120 mm	185 mm	KOM-707-99-68510	614.67
BOOM	208-63-K2301	K30075-		P-UB-14	110 mm	160 mm	KOM-707-99-67120	561.72
	208-63-K2320	K30001-K30074		P-UB-14	110 mm	160 mm	KOM-707-99-67120	561.72
BUCKET	208-63-02130	K30001-		P-UB-14	110 mm	160 mm	KOM-707-99-67010	649.08
MODEL PC450LC-7K								
ARM	707-01-0F691	K40001-		P-UB-14	120 mm	185 mm	KOM-707-99-68780	659.05
ARM (2.4M Arm)	707-01-0F741	K40001-		P-UB-14	120 mm	185 mm	KOM-707-99-68780	659.05
ARM (w/ Burst Valve)	707-01-0F691	K40001-		P-UB-14	120 mm	185 mm	KOM-707-99-68780	659.05
BOOM	707-01-0F670	K40001-		P-UB-14	110 mm	160 mm	KOM-707-99-67870	439.12
BUCKET	707-01-0F700	K40001-		P-UB-14	100 mm	160 mm	KOM-707-99-66240	479.54
MODEL PC450LC-8								
ARM	707-01-0F691	A10001-UP		P-UB-14	120 mm	185 mm	KOM-707-99-68780	659.05
	707-01-0F741	A10001-UP	Arm, 2.4m	P-UB-14	120 mm	185 mm	KOM-707-99-68780	659.05
BOOM	707-01-0F670	A10001-UP		P-UB-14	110 mm	160 mm	KOM-707-99-67870	439.12
BUCKET	707-01-0F702	A10001-UP		P-UB-14	110 mm	160 mm	KOM-707-99-72240	597.86
MODEL PC490LC-10								
ARM	707-01-0F741	A40001-UP	Arm, 2.4m	P-UB-14	120 mm	185 mm	KOM-707-99-68780	659.05
	707-E1-00740	A40001-UP		P-UB-14	120mm	185mm	KOM-707-99-69590	703.87
BOOM	707-E1-00720	A40001-UP		P-UB-14	110mm	160mm	KOM-707-99-72060	746.82
BUCKET	707-E1-00750	A40001-UP		P-UB-14	110mm	160mm	KOM-707-99-72070	662.87
TRACK ADJUSTER		A40001-		TRK ADJ			KOM-SK100145	63.07
		A40001-	kit w/ valve	TRK ADJ			KOM-SK100129	124.10
MODEL PC490LC-11								
ARM	707-E1-00740	85001-		P-UB-14	120 mm	185 mm	KOM-721-98-00140	734.29
	707-E1-00740	85001-		Bushing	120 mm		KOM-707-52-90981	98.34
	707-F1-00740	41001-		P-UB-14	120 mm	185 mm	KOM-721-98-00140	734.29
	707-F1-00740	41001-		Bushing	120 mm		KOM-707-52-90981	98.34
BOOM	707-E1-00720	41001-; 85001-		P-UB-14	110 mm	160 mm	KOM-721-98-00130	497.27
	707-E1-00720	41001-; 85001-		Bushing	110 mm		KOM-707-52-90851	64.44
BUCKET	707-E1-00750	41001-; 85001-		P-UB-14	110 mm	160 mm	KOM-721-98-00150	455.07
	707-E1-00750	41001-; 85001-		Bushing	110 mm		KOM-707-52-90851	64.44
TRACK ADJUSTER		A41001-		TRK ADJ			KOM-SK100145	63.07

LT - Large size tire L/S - Loading Shovel SLF - Super Long Front B/H - Backhoe HD - Heavy Duty L BUCKET - Large Bucket
 K-LINK - K-type Linkage Blade LB HI-LIFT - High Lift Arm w Large Bucket HI-LIFT - High Lift Arm S HI-LIFT - Super High Lift Arm
 SU - Semi-U Dozer PAT - Power Angle Power Tilt MP - Mult-Purpose

FORMERLY LISTED REPAIR PARTS ARE AVAILABLE ONLINE AT WWW.HERCULESUS.COM
 OR BY CONTACTING YOUR REGIONAL HERCULES SALES TEAM.

Replacement Kits For

KOMATSU

Excavators								
APPLICATION	CYL #	SERIAL #	Misc	CODE	ROD	BORE	KIT #	List \$
MODEL PC490LC-11								
TRACK ADJUSTER		A41001-	kit w/ valve	TRK ADJ			KOM-SK100129	124.10
WEIGHT REMOVER	707-00-0G690	41001-		P-U-14	50 mm	95 mm	KOM-707-98-29650	172.74
	707-00-0G690	41001-		Bushing	50 mm		KOM-707-52-15230	21.84
	707-E1-01180	41001-		P-UB-14	70 mm	105 mm	KOM-707-99-37090	305.01
	707-E1-01180	41001-		Bushing	70 mm		KOM-707-52-90471	32.40
MODEL PC490LCi-11								
ARM	707-G7-00170	A45001-A45073; 85113-85326		P-UB-14	120 mm	185 mm	KOM-721-98-01751	924.04
	707-G7-00170	A45001-A45073; 85113-85326		Bushing	120 mm		KOM-707-52-16800	68.15
	707-G7-00170	A45001-A45073; 85113-85326		Bushing	120 mm		KOM-707-52-90981	98.34
	707-G7-00171	A45074-; 85327-		P-UB-14	120 mm	185 mm	KOM-721-98-01751	924.04
	707-G7-00171	A45074-; 85327-		Bushing	120 mm		KOM-707-52-90981	98.34
	707-G7-00171	A45074-; 85327-		Bushing	120 mm		KOM-707-52-16800	68.15
BOOM LH	707-G7-00160	85113-85237		P-UB-14	110 mm	160 mm	KOM-721-98-01720	797.39
	707-G7-00160	85113-85237		Bushing	110 mm		KOM-707-52-90851	64.44
	707-G7-00161	85238-; A45001-		P-UB-14	110 mm	160 mm	KOM-721-98-02530	848.73
	707-G7-00161	85238-; A45001-		Bushing	110 mm		KOM-707-52-15730	60.35
	707-G7-00161	85238-; A45001-		Bushing	110 mm		KOM-707-52-90851	64.44
BOOM RH	707-E1-00720	A45001-; 85113-		P-UB-14	110 mm	160 mm	KOM-721-98-00130	497.27
	707-E1-00720	A45001-; 85113-		Bushing	110 mm		KOM-707-52-90851	64.44
BUCKET	707-G7-00180	85113-85146		P-UB-14	110 mm	160 mm	KOM-721-98-01741	797.53
	707-G7-00180	85113-85146		Bushing	110 mm		KOM-707-52-15730	60.35
	707-G7-00180	85113-85146		Bushing	110 mm		KOM-707-52-90851	64.44
	707-G7-00181	A45001-A45073; 85147-85326		P-UB-14	110 mm	160 mm	KOM-721-98-01741	797.53
	707-G7-00181	A45001-A45073; 85147-85326		Bushing	110 mm		KOM-707-52-15730	60.35
	707-G7-00181	A45001-A45073; 85147-85326		Bushing	110 mm		KOM-707-52-90851	64.44
	707-G7-00182	85327-; A45074-		P-UB-14	110 mm	160 mm	KOM-721-98-01741	797.53
	707-G7-00182	85327-; A45074-		Bushing	110 mm		KOM-707-52-15730	60.35
	707-G7-00182	85327-; A45074-		Bushing	110 mm		KOM-707-52-90851	64.44
	707-G7-00182	85327-; A45074-		Bushing	110 mm		KOM-707-52-90851	64.44
TRACK ADJUSTER		A45001-; 85113-	kit w/ valve	TRK ADJ			KOM-SK100129	124.10
		A45001-; 85113-		TRK ADJ			KOM-SK100145	63.07
MODEL PC600-6, PC600LC-6								
ARM	21M-63-02121	10001-		P-UB-14	140 mm	200 mm	KOM-707-99-77140	571.76
BOOM	21M-63-02101	10001-		P-UB-14	120 mm	185 mm	KOM-707-99-68580	640.13
BUCKET	21M-63-02131	10001-		P-UB-14	120 mm	185 mm	KOM-707-99-68560	1071.86
	21M-63-02140	10001-	LC-6	P-UB-14	120 mm	185 mm	KOM-707-99-68560	1071.86
MODEL PC600LC-6A								
ARM	21M-63-02121	10001-		P-UB-14	140 mm	200 mm	KOM-707-99-77140	571.76
	707-01-0E890	11107-		P-UB-14	140 mm	200 mm	KOM-707-99-77160	539.93
BOOM	21M-63-02101	10001-		P-UB-14	120 mm	185 mm	KOM-707-99-68580	640.13
	707-01-0E870	11107-		P-UB-14	130 mm	185 mm	KOM-707-99-69700	701.67
BOTTOM DUMP	707-01-0C500	11107-		P-UB-14	90 mm	140 mm	KOM-707-99-56220	262.97
BUCKET	21M-63-02131	10001-		P-UB-14	120 mm	185 mm	KOM-707-99-68560	1071.86
	21M-63-02140	10001-		P-UB-14	120 mm	185 mm	KOM-707-99-68560	1071.86
	707-01-0E900	11107-		P-UB-14	110 mm	160 mm	KOM-707-99-67830	347.02
MODEL PC600LC-6K								
ARM	21M-63-02121	K30001-		P-UB-14	140 mm	200 mm	KOM-707-99-77140	571.76
BOOM	21M-63-02101	K30001-		P-UB-14	120 mm	185 mm	KOM-707-99-68580	640.13
BUCKET	21M-63-02131	K30001-		P-UB-14	120 mm	185 mm	KOM-707-99-68560	1071.86
	21M-63-02140	K30001-		P-UB-14	120 mm	185 mm	KOM-707-99-68560	1071.86
MODEL PC600LC-7								
ARM	21M-63-02121	20001-		P-UB-14	140 mm	200 mm	KOM-707-99-77140	571.76

LT - Large size tire L/S - Loading Shovel SLF - Super Long Front B/H - Backhoe HD - Heavy Duty L BUCKET - Large Bucket
 K-LINK - K-type Linkage Blade LB HI-LIFT - High Lift Arm w Large Bucket HI-LIFT - High Lift Arm S HI-LIFT - Super High Lift Arm
 SU - Semi-U Dozer PAT - Power Angle Power Tilt MP - Mulit-Purpose

KOMATSU

Replacement Kits For

Excavators								
APPLICATION	CYL #	SERIAL #	Misc	CODE	ROD	BORE	KIT #	List \$
MODEL PC600LC-7								
BOOM	21M-63-02101	20001-		P-UB-14	120 mm	185 mm	KOM-707-99-68580	640.13
BUCKET	21M-63-02131	20001-		P-UB-14	120 mm	185 mm	KOM-707-99-68560	1071.86
	21M-63-02140	20001-		P-UB-14	120 mm	185 mm	KOM-707-99-68560	1071.86
WEIGHT REMOVER	209-63-07010	20032-		P-U-14	85 mm	130 mm	KOM-209-63-07010K	159.96
	707-01-0G420	20050-		P-UB-14	120 mm	185 mm	KOM-707-99-68780	659.05
MODEL PC600LC-8								
ARM	707-01-0J650	30001-		P-UB-14	140 mm	200 mm	KOM-707-99-76300	586.54
BUCKET	707-01-0J660	30001-		P-UB-14	130 mm	185 mm	KOM-707-99-69790	710.25
	707-01-0J670	30001-	SE Spec.	P-UB-14	130 mm	185 mm	KOM-707-99-69790	710.25
LOADER ARM	707-01-0E890	30001-		P-UB-14	140 mm	200 mm	KOM-707-99-77160	539.93
LOADER BOOM	707-01-0E870	30001-		P-UB-14	130 mm	185 mm	KOM-707-99-69700	701.67
LOADER BOTTOM DUMP	707-01-0C500	30001-		P-UB-14	90 mm	140 mm	KOM-707-99-56220	262.97
LOADER BUCKET	707-01-0E900	30001-		P-UB-14	110 mm	160 mm	KOM-707-99-67830	347.02
WEIGHT REMOVER	707-00-0X500	30001-	Counter Weight 1	P-U-14	50 mm	95 mm	KOM-707-98-29650	172.74
	707-00-0X500	30001-	Counter Weight 1	Bushing	50 mm		KOM-07177-05030	21.84
	707-01-0K360	30001-	Counter Weight 2	P-UB-14	85 mm	120 mm	KOM-707-99-46030	229.18
	707-01-0K360	30001-	Counter Weight 2	Bushing	85 mm		KOM-707-52-90610	48.79
MODEL PC650-5								
ARM (B/H)	209-63-02120	20169-		P-UB-14	140 mm	200 mm	KOM-707-99-77240	1317.13
BOOM (B/H)	209-63-02100	20169-		P-UB-14	140 mm	200 mm	KOM-707-99-77220	420.71
BOOM (L/S)	209-63-03011	20164-		P-UB-14	120 mm	180 mm	KOM-707-99-68600	479.10
BOTTOM DUMP (L/S)	209-63-03061	20164-		P-UB-14	90 mm	140 mm	KOM-707-99-56300	282.88
BUCKET (B/H)	209-63-02130	20169-		P-UB-14	130 mm	180 mm	KOM-707-99-69600	763.60
BUCKET (L/S)	209-63-03041	20164-		P-UB-14	130 mm	180 mm	KOM-707-99-69600	763.60
MODEL PC750-6								
ARM (B/H)	209-63-02381	10001-		P-UB-14	140 mm	200 mm	KOM-707-99-77380	441.10
BOOM (B/H)	209-63-02301	10001-		P-UB-14	140 mm	200 mm	KOM-707-99-77380	441.10
BOOM (L/S)	209-63-03311	10001-		P-UB-14	140 mm	200 mm	KOM-707-99-77380	441.10
BUCKET (B/H)	209-63-02372	10001-		P-UB-14	120 mm	185 mm	KOM-707-99-68510	614.67
MODEL PC750SE-6								
ARM	209-63-02351	10001-		P-UB-14	120 mm	185 mm	KOM-707-99-68510	614.67
BOOM	209-63-02301	10001-		P-UB-14	140 mm	200 mm	KOM-707-99-77380	441.10
MODEL PC800-6								
ARM	209-63-02351	30001-		P-UB-14	120 mm	185 mm	KOM-707-99-68510	614.67
BOOM	209-63-02301	30001-		P-UB-14	140 mm	200 mm	KOM-707-99-77380	441.10
BUCKET	209-63-02372	30001-		P-UB-14	120 mm	185 mm	KOM-707-99-68510	614.67
MODEL PC800-7								
ARM	707-01-0A531	40001-		P-UB-14	120 mm	185 mm	KOM-707-99-68660	630.00
BOOM	707-01-0A510	40001-		P-UB-14	140 mm	200 mm	KOM-707-99-77300	424.70
	707-01-0Y020	40001-		P-UB-14	140 mm	200 mm	KOM-707-99-77300	424.70
BUCKET	209-63-02540	40001-		P-UB-14	120 mm	185 mm	KOM-707-99-68560	1071.86
MODEL PC800SE-6								
ARM	209-63-02351	30001-		P-UB-14	120 mm	185 mm	KOM-707-99-68510	614.67
BOOM	209-63-02301	30001-		P-UB-14	140 mm	200 mm	KOM-707-99-77380	441.10
MODEL PC800SE-8								
ARM				P-UB-14	120 mm	185 mm	KOM-707-99-68470	885.84
BOOM				P-UB-14	140 mm	220 mm	KOM-707-99-76230	991.89
BUCKET				P-UB-14	160 mm	225 mm	KOM-707-99-78780	2131.25
MODEL PC1000-1								
ARM (B/H)	21N-63-02030	10001-		P-UB-14	170 mm	250 mm	KOM-707-99-89200	1221.55
ARM (L/S)	21N-63-03030	10001-		P-UB-14	130 mm	180 mm	KOM-707-99-69620	807.47
BOOM (B/H)	21N-63-02010	10001-		P-UB-14	160 mm	225 mm	KOM-707-99-78620	2025.03

LT - Large size tire L/S - Loading Shovel SLF - Super Long Front B/H - Backhoe HD - Heavy Duty L BUCKET - Large Bucket
 K-LINK - K-type Linkage Blade LB HI-LIFT - High Lift Arm w Large Bucket HI-LIFT - High Lift Arm S HI-LIFT - Super High Lift Arm
 SU - Semi-U Dozer PAT - Power Angle Power Tilt MP - Multi-Purpose

FORMERLY LISTED REPAIR PARTS ARE AVAILABLE ONLINE AT WWW.HERCULESUS.COM
 OR BY CONTACTING YOUR REGIONAL HERCULES SALES TEAM.

Replacement Kits For

KOMATSU

Excavators								
APPLICATION	CYL #	SERIAL #	Misc	CODE	ROD	BORE	KIT #	List \$
MODEL PC1000-1								
BOOM (L/S)	21N-63-03010	10001-		P-UB-14	160 mm	225 mm	KOM-707-99-78620	2025.03
BOTTOM DUMP	21N-63-03071	10001-		P-UB-14	90 mm	140 mm	KOM-707-99-56310	661.07
BUCKET (B/H)	21N-63-02040	10001-		P-UB-14	160 mm	225 mm	KOM-707-99-78630	2024.42
BUCKET (L/S)	21N-63-03050	10001-		P-UB-14	140 mm	200 mm	KOM-707-99-77250	1194.77
MODEL PC1000SE-1, PC1000SP-1								
ARM	21N-63-02030	10001-	SE-1	P-UB-14	170 mm	250 mm	KOM-707-99-89200	1221.55
	21N-63-02031	10001-		P-UB-14	170 mm	250 mm	KOM-707-99-89200	1221.55
BOOM	21N-63-02010	10001-	SE-1	P-UB-14	160 mm	225 mm	KOM-707-99-78620	2025.03
	21N-63-02011	10001-		P-UB-14	160 mm	225 mm	KOM-707-99-78620	2025.03
BUCKET	21N-63-02060	10001-		P-UB-14	160 mm	225 mm	KOM-707-99-78630	2024.42
MODEL PC1100-6								
ARM (B/H)	21N-63-02322	10001-		P-UB-14	170 mm	250 mm	KOM-707-99-89220	2738.84
ARM (L/S)	21N-63-03120	10001-10109		P-UB-14	130 mm	185 mm	KOM-707-99-69670	603.09
	21N-63-03120	10001-10109		Bushing	130 mm		KOM-707-52-91070	108.17
	21N-63-03121	10110-		P-UB-14	130 mm	185 mm	KOM-707-99-69670	603.09
	21N-63-03121	10110-		Bushing	130 mm		KOM-707-52-91070	108.17
BOOM (B/H)	21N-63-02302	10001-10154		P-UB-14	160 mm	225 mm	KOM-707-99-78700	1824.53
	21N-63-02302	10001-10154		Bushing	160 mm		KOM-707-52-91350	168.91
	21N-63-02303	10155-		P-UB-14	160 mm	225 mm	KOM-707-99-78700	1824.53
	21N-63-02303	10155-		Bushing	160 mm		KOM-707-52-91350	168.91
BOOM (L/S)	21N-63-03100	10001-		P-UB-14	160 mm	225 mm	KOM-707-99-78700	1824.53
	21N-63-03100	10001-		Bushing	160 mm		KOM-707-52-91350	168.91
BOTTOM DUMP (L/S)	21N-63-03160	10001-		P-UB-14	90 mm	140 mm	KOM-707-98-56210	305.98
	21N-63-03160	10001-		Bushing	90 mm		KOM-707-52-90650	60.09
BUCKET (B/H)	21N-63-02332	10001-		P-UB-14	110 mm	160 mm	KOM-707-99-67290	419.06
	21N-63-02342	10001-		P-UB-14	110 mm	160 mm	KOM-707-99-67290	419.06
	21N-63-02370	10001-	5.7m Arm	P-UB-14	140 mm	200 mm	KOM-707-99-77120	1058.60
	21N-63-02370	10001-	5.7m Arm	Bushing	140 mm		KOM-707-52-11410	165.83
BUCKET (L/S)	21N-63-03140	10001-		P-UB-14	140 mm	200 mm	KOM-707-98-77210	423.04
	21N-63-03140	10001-		Bushing	140 mm		KOM-707-52-91150	170.81
BUCKET LH (B/H)	21N-63-02332	10001-	3.4m, 4.5m Arm	P-UB-14	110 mm	160 mm	KOM-707-99-67290	419.06
	21N-63-02332	10001-	3.4m, 4.5m Arm	Bushing	110 mm		KOM-707-52-90860	123.61
BUCKET RH (B/H)	21N-63-02342	10001-	3.4m, 4.5m Arm	P-UB-14	110 mm	160 mm	KOM-707-99-67290	419.06
	21N-63-02342	10001-	3.4m, 4.5m Arm	Bushing	110 mm		KOM-707-52-90860	123.61
MODEL PC1100SP-6								
ARM	21N-63-02322	10001-		P-UB-14	170 mm	250 mm	KOM-707-99-89220	2738.84
BOOM	21N-63-02302	10001-		P-UB-14	160 mm	225 mm	KOM-707-99-78700	1824.53
BUCKET	21N-63-02351	10001-		P-UB-14	110 mm	160 mm	KOM-707-99-67290	419.06
	21N-63-02361	10001-		P-UB-14	110 mm	160 mm	KOM-707-99-67290	419.06
MODEL PC1250-7								
ARM (B/H)	21N-63-02322	20001-20083		P-UB-14	170 mm	250 mm	KOM-707-99-89220	2738.84
	21N-63-02324	20084-		P-UB-14	170 mm	250 mm	KOM-707-99-89250	2738.84
ARM (L/S)	21N-63-03121	20001-		P-UB-14	130 mm	185 mm	KOM-707-99-69670	603.09
	21N-63-03121	20001-		Bushing	130 mm		KOM-707-52-91070	108.17
BOOM (B/H)	21N-63-02303	20001-20083		P-UB-14	160 mm	225 mm	KOM-707-99-78700	1824.53
	21N-63-02303	20001-20083		Bushing	160 mm		KOM-707-52-91350	168.91
	21N-63-02304	20084-20449		P-UB-14	160 mm	225 mm	KOM-707-99-78740	1824.53
	21N-63-02304	20084-20449		Bushing	160 mm		KOM-707-52-91350	168.91
	21N-63-02304	20450-		P-UB-14	160 mm	225 mm	KOM-707-99-78740	1824.53
	21N-63-02304	20450-		Bushing	160 mm		KOM-707-52-91350	168.91
BOOM (L/S)	21N-63-03100	20001-		P-UB-14	160 mm	225 mm	KOM-707-99-78700	1824.53
	21N-63-03100	20001-		Bushing	160 mm		KOM-707-52-91350	168.91

LT - Large size tire L/S - Loading Shovel SLF - Super Long Front B/H - Backhoe HD - Heavy Duty L BUCKET - Large Bucket
 K-LINK - K-type Linkage Blade LB HI-LIFT - High Lift Arm w Large Bucket HI-LIFT - High Lift Arm S HI-LIFT - Super High Lift Arm
 SU - Semi-U Dozer PAT - Power Angle Power Tilt MP - Multi-Purpose

Replacement Kits For

KOMATSU

Excavators								
APPLICATION	CYL #	SERIAL #	Misc	CODE	ROD	BORE	KIT #	List \$
MODEL PC1250-7								
BOTTOM DUMP (L/S)	707-01-0E940	20001-		P-UB-14	110 mm	160 mm	KOM-707-99-67090	636.39
	707-01-0E940	20001-		Bushing	110 mm		KOM-707-52-90850	64.44
BUCKET (B/H)	21N-63-02370	20001-20083	5.7m Arm	P-UB-14	140 mm	200 mm	KOM-707-99-77120	1058.60
	21N-63-02370	20001-20083	5.7m Arm	Bushing	140 mm		KOM-707-52-11410	165.83
	21N-63-02371	20084-	5.7m Arm	P-UB-14	140 mm	200 mm	KOM-707-99-77190	1092.08
	21N-63-02371	20084-	5.7m Arm	Bushing	140 mm		KOM-707-52-91150	170.81
BUCKET LH (B/H)	21N-63-02332	20001-20083	3.4m, 4.5m Arm	P-UB-14	110 mm	160 mm	KOM-707-99-67290	419.06
	21N-63-02332	20001-20083	3.4m, 4.5m Arm	Bushing	110 mm		KOM-707-52-90860	123.61
	21N-63-02333	20084-20406	3.4m, 4.5m Arm	P-UB-14	110 mm	160 mm	KOM-707-99-67840	418.24
	21N-63-02333	20084-20406	3.4m, 4.5m Arm	Bushing	110 mm		KOM-707-52-90860	123.61
	707-01-0J750	20407-	3.4m, 4.5m Arm	P-UB-14	115 mm	160 mm	KOM-707-99-72390	711.53
BUCKET LH (L/S)	707-01-0E920	20001-		P-UB-14	140 mm	200 mm	KOM-707-99-77050	423.04
	707-01-0E920	20001-		Bushing	140 mm		KOM-707-52-91151	170.81
BUCKET RH (B/H)	21N-63-02342	20001-20083	3.4m, 4.5m Arm	P-UB-14	110 mm	160 mm	KOM-707-99-67290	419.06
	21N-63-02342	20001-20083	3.4m, 4.5m Arm	Bushing	110 mm		KOM-707-52-90860	123.61
	21N-63-02343	20084-20406	3.4m, 4.5m Arm	P-UB-14	110 mm	160 mm	KOM-707-99-67840	418.24
	21N-63-02343	20084-20406	3.4m, 4.5m Arm	Bushing	110 mm		KOM-707-52-90860	123.61
	707-01-0J760	20407-	3.4m, 4.5m Arm	P-UB-14	115 mm	160 mm	KOM-707-99-72390	711.53
BUCKET RH (L/S)	707-01-0E930	20001-		P-UB-14	140 mm	200 mm	KOM-707-99-77050	423.04
	707-01-0E930	20001-		Bushing	140 mm		KOM-707-52-91151	170.81
MODEL PC1250-8								
ARM (B/H)	21N-63-02324	30001-30157		P-UB-14	170 mm	250 mm	KOM-707-99-89250	2738.84
	707-01-0CA40	30158-		P-UB-14	170 mm	250 mm	KOM-707-98-85310	2218.23
ARM (L/S)	21N-63-03121	30001-		P-UB-14	130 mm	185 mm	KOM-707-99-69670	603.09
	21N-63-03121	30001-		Bushing	130 mm		KOM-707-52-91070	108.17
	21N-63-03121	30158-		P-UB-14	130 mm	185 mm	KOM-707-99-69670	603.09
	21N-63-03121	30158-		Bushing	130 mm		KOM-707-52-91071	108.17
BOOM (B/H)	21N-63-02304	30001-30014		P-UB-14	160 mm	225 mm	KOM-707-99-78740	1824.53
	21N-63-02304	30001-30014		Bushing	160 mm		KOM-707-52-91350	168.91
	21N-63-02304	30015-		P-UB-14	160 mm	225 mm	KOM-707-99-78740	1824.53
	21N-63-02304	30015-		Bushing	160 mm		KOM-707-52-91350	168.91
	21N-63-02304	30158-30246		P-UB-14	160 mm	225 mm	KOM-707-99-78740	1824.53
	21N-63-02304	30158-30246		Bushing	160 mm		KOM-707-52-91351	168.91
	707-F1-01380	30247-		P-UB-14	160 mm	225 mm	KOM-707-99-78440	1851.21
	707-F1-01380	30247-		Bushing	160 mm		KOM-707-52-91351	168.91
BOOM (L/S)	21N-63-03100	30001-		P-UB-14	160 mm	225 mm	KOM-707-99-78700	1824.53
	21N-63-03100	30001-		Bushing	160 mm		KOM-707-52-91350	168.91
	21N-63-03100	30158-		P-UB-14	160 mm	225 mm	KOM-707-99-78700	1824.53
	21N-63-03100	30158-		Bushing	160 mm		KOM-707-52-91351	168.91
BOTTOM DUMP (L/S)	707-01-0E940	30001-		P-UB-14	110 mm	160 mm	KOM-707-99-67090	636.39
	707-01-0E940	30001-		Bushing	110 mm		KOM-707-52-90850	64.44
	707-01-0E940	30158-		P-UB-14	110 mm	160 mm	KOM-707-99-67090	636.39
	707-01-0E940	30158-		Bushing	110 mm		KOM-707-52-90851	64.44
BUCKET (B/H)	21N-63-02371	30001-	5.7m Arm	P-UB-14	140 mm	200 mm	KOM-707-99-77190	1092.08
	21N-63-02371	30001-	5.7m Arm	Bushing	140 mm		KOM-707-52-91150	170.81
	21N-63-02371	30158-30246		P-UB-14	140 mm	200 mm	KOM-707-99-77190	1092.08
	21N-63-02371	30158-30246		Bushing	140 mm		KOM-707-52-91151	170.81

LT - Large size tire L/S - Loading Shovel SLF - Super Long Front B/H - Backhoe HD - Heavy Duty L BUCKET - Large Bucket
 K-LINK - K-type Linkage Blade LB HI-LIFT - High Lift Arm w Large Bucket HI-LIFT - High Lift Arm S HI-LIFT - Super High Lift Arm
 SU - Semi-U Dozer PAT - Power Angle Power Tilt MP - Mult-Purpose

FORMERLY LISTED REPAIR PARTS ARE AVAILABLE ONLINE AT WWW.HERCULESUS.COM
 OR BY CONTACTING YOUR REGIONAL HERCULES SALES TEAM.

Replacement Kits For

KOMATSU

Excavators								
APPLICATION	CYL #	SERIAL #	Misc	CODE	ROD	BORE	KIT #	List \$
MODEL PC1250-8								
BUCKET (B/H)	707-F1-01400	30247-	5.7m Arm	P-UB-14	140 mm	200 mm	KOM-707-99-76030	1406.30
	707-F1-01400	30247-	5.7m Arm	Bushing	140 mm		KOM-707-52-91151	170.81
BUCKET LH (B/H)	707-01-0J750	30001-	3.4m, 4.5m Arm	P-UB-14	115 mm	160 mm	KOM-707-99-72390	711.53
	707-01-0J750	30158-30246	3.4m Arm	P-UB-14	115 mm	160 mm	KOM-707-99-72390	711.53
	707-01-0J752	30247-	3.4m Arm	P-UB-14	115 mm	160 mm	KOM-707-99-72090	843.74
BUCKET LH (L/S)	707-01-0E920	30001-		P-UB-14	140 mm	200 mm	KOM-707-99-77050	423.04
	707-01-0E920	30001-		Bushing	140 mm		KOM-707-52-91151	170.81
	707-01-0E920	30158-		P-UB-14	140 mm	200 mm	KOM-707-99-77050	423.04
	707-01-0E920	30158-		Bushing	140 mm		KOM-707-52-91151	170.81
BUCKET RH (B/H)	707-01-0J760	30001-	3.4m, 4.5m Arm	P-UB-14	115 mm	160 mm	KOM-707-99-72390	711.53
	707-01-0J760	30158-30246	3.4m Arm	P-UB-14	115 mm	160 mm	KOM-707-99-72390	711.53
	707-01-0J762	30247-	3.4m Arm	P-UB-14	115 mm	160 mm	KOM-707-99-72090	843.74
BUCKET RH (L/S)	707-01-0E930	30001-		P-UB-14	140 mm	200 mm	KOM-707-99-77050	423.04
	707-01-0E930	30001-		Bushing	140 mm		KOM-707-52-91151	170.81
	707-01-0E930	30158-		P-UB-14	140 mm	200 mm	KOM-707-99-77050	423.04
	707-01-0E930	30158-		Bushing	140 mm		KOM-707-52-91151	170.81
MODEL PC1250LC-7								
ARM (B/H)	21N-63-02322	20001-20083		P-UB-14	170 mm	250 mm	KOM-707-99-89220	2738.84
	21N-63-02324	20084-		P-UB-14	170 mm	250 mm	KOM-707-99-89250	2738.84
BOOM (B/H)	21N-63-02303	20001-20083		P-UB-14	160 mm	225 mm	KOM-707-99-78700	1824.53
	21N-63-02303	20001-20083		Bushing	160 mm		KOM-707-52-91350	168.91
	21N-63-02304	20084-20449		P-UB-14	160 mm	225 mm	KOM-707-99-78740	1824.53
	21N-63-02304	20084-20449		Bushing	160 mm		KOM-707-52-91350	168.91
	21N-63-02304	20450-		P-UB-14	160 mm	225 mm	KOM-707-99-78740	1824.53
	21N-63-02304	20450-		Bushing	160 mm		KOM-707-52-91350	168.91
BUCKET (B/H)	21N-63-02370	20001-20083	5.7m Arm	P-UB-14	140 mm	200 mm	KOM-707-99-77120	1058.60
	21N-63-02370	20001-20083	5.7m Arm	Bushing	140 mm		KOM-707-52-11410	165.83
	21N-63-02371	20084-	5.7m Arm	P-UB-14	140 mm	200 mm	KOM-707-99-77190	1092.08
	21N-63-02371	20084-	5.7m Arm	Bushing	140 mm		KOM-707-52-91150	170.81
BUCKET LH (B/H)	21N-63-02332	20001-20083	3.4m, 4.5m Arm	P-UB-14	110 mm	160 mm	KOM-707-99-67290	419.06
	21N-63-02332	20001-20083	3.4m, 4.5m Arm	Bushing	110 mm		KOM-707-52-90860	123.61
	21N-63-02333	20084-20406	3.4m, 4.5m Arm	P-UB-14	110 mm	160 mm	KOM-707-99-67840	418.24
	21N-63-02333	20084-20406	3.4m, 4.5m Arm	Bushing	110 mm		KOM-707-52-90860	123.61
	707-01-0J750	20407-	3.4m, 4.5m Arm	P-UB-14	115 mm	160 mm	KOM-707-99-72390	711.53
BUCKET RH (B/H)	21N-63-02342	20001-20083	3.4m, 4.5m Arm	P-UB-14	110 mm	160 mm	KOM-707-99-67290	419.06
	21N-63-02342	20001-20083	3.4m, 4.5m Arm	Bushing	110 mm		KOM-707-52-90860	123.61
	21N-63-02343	20084-20406	3.4m, 4.5m Arm	P-UB-14	110 mm	160 mm	KOM-707-99-67840	418.24
	21N-63-02343	20084-20406	3.4m, 4.5m Arm	Bushing	110 mm		KOM-707-52-90860	123.61
	707-01-0J760	20407-	3.4m, 4.5m Arm	P-UB-14	115 mm	160 mm	KOM-707-99-72390	711.53
MODEL PC1250LC-8								
ARM (B/H)	21N-63-02324	30001-30157		P-UB-14	170 mm	250 mm	KOM-707-99-89250	2738.84
	707-01-0CA40	30158-		P-UB-14	170 mm	250 mm	KOM-707-98-85310	2218.23
BOOM (B/H)	21N-63-02304	30001-		P-UB-14	160 mm	225 mm	KOM-707-99-78740	1824.53
	21N-63-02304	30001-		Bushing	160 mm		KOM-707-52-91350	168.91
	21N-63-02304	30158-30246		P-UB-14	160 mm	225 mm	KOM-707-99-78740	1824.53

LT - Large size tire L/S - Loading Shovel SLF - Super Long Front B/H - Backhoe HD - Heavy Duty L BUCKET - Large Bucket
 K-LINK - K-type Linkage Blade LB HI-LIFT - High Lift Arm w Large Bucket HI-LIFT - High Lift Arm S HI-LIFT - Super High Lift Arm
 SU - Semi-U Dozer PAT - Power Angle Power Tilt MP - Mulit-Purpose

KOMATSU

Replacement Kits For

Excavators								
APPLICATION	CYL #	SERIAL #	Misc	CODE	ROD	BORE	KIT #	List \$
MODEL PC1250LC-8								
BOOM (B/H)	21N-63-02304	30158-30246		Bushing	160 mm		KOM-707-52-91351	168.91
	707-F1-01380	30247-		P-UB-14	160 mm	225 mm	KOM-707-99-78440	1851.21
	707-F1-01380	30247-		Bushing	160 mm		KOM-707-52-91351	168.91
BUCKET (B/H)	21N-63-02371	30001-	5.7m Arm	P-UB-14	140 mm	200 mm	KOM-707-99-77190	1092.08
	21N-63-02371	30001-	5.7m Arm	Bushing	140 mm		KOM-707-52-91150	170.81
	21N-63-02371	30158-30246	5.7m Arm	P-UB-14	140 mm	200 mm	KOM-707-99-77190	1092.08
	21N-63-02371	30158-30246	5.7m Arm	Bushing	140 mm		KOM-707-52-91151	170.81
	707-F1-01400	30247-	5.7m Arm	P-UB-14	140 mm	200 mm	KOM-707-99-76030	1406.30
	707-F1-01400	30247-	5.7m Arm	Bushing	140 mm		KOM-707-52-91151	170.81
BUCKET LH (B/H)	707-01-0J750	30001-	3.4m, 4.5m Arm	P-UB-14	115 mm	160 mm	KOM-707-99-72390	711.53
	707-01-0J750	30158-30246	3.4m, 4.5m Arm	P-UB-14	115 mm	160 mm	KOM-707-99-72390	711.53
	707-01-0J752	30247-	3.4m, 4.5m Arm	P-UB-14	115 mm	160 mm	KOM-707-99-72090	843.74
BUCKET RH (B/H)	707-01-0J760	30001-	3.4m, 4.5m Arm	P-UB-14	115 mm	160 mm	KOM-707-99-72390	711.53
	707-01-0J760	30158-30246	3.4m, 4.5m Arm	P-UB-14	115 mm	160 mm	KOM-707-99-72390	711.53
	707-01-0J762	30247-	3.4m, 4.5m Arm	P-UB-14	115 mm	160 mm	KOM-707-99-72090	843.74
MODEL PC1250SP-7								
ARM (B/H)	21N-63-02322	20001-20083		P-UB-14	170 mm	250 mm	KOM-707-99-89220	2738.84
	21N-63-02324	20084-		P-UB-14	170 mm	250 mm	KOM-707-99-89250	2738.84
BOOM (B/H)	21N-63-02303	20001-20083		P-UB-14	160 mm	225 mm	KOM-707-99-78700	1824.53
	21N-63-02303	20001-20083		Bushing	160 mm		KOM-707-52-91350	168.91
	21N-63-02304	20084-		P-UB-14	160 mm	225 mm	KOM-707-99-78740	1824.53
	21N-63-02304	20084-		Bushing	160 mm		KOM-707-52-91350	168.91
BUCKET LH (B/H)	21N-63-02351	20001-20083	3.4m Arm	P-UB-14	110 mm	160 mm	KOM-707-99-67290	419.06
	21N-63-02351	20001-20083	3.4m Arm	Bushing	110 mm		KOM-707-52-90860	123.61
	21N-63-02352	20084-20406	3.4m Arm	P-UB-14	110 mm	160 mm	KOM-707-99-67840	418.24
	21N-63-02352	20084-20406	3.4m Arm	Bushing	110 mm		KOM-707-52-90860	123.61
	707-01-0J770	20407-	3.4m Arm	P-UB-14	115 mm	160 mm	KOM-707-99-72390	711.53
BUCKET RH (B/H)	21N-63-02361	20001-20083	3.4m Arm	P-UB-14	110 mm	160 mm	KOM-707-99-67290	419.06
	21N-63-02361	20001-20083	3.4m Arm	Bushing	110 mm		KOM-707-52-90860	123.61
	21N-63-02362	20084-20406	3.4m Arm	P-UB-14	110 mm	160 mm	KOM-707-99-67840	418.24
	21N-63-02362	20084-20406	3.4m Arm	Bushing	110 mm		KOM-707-52-90860	123.61
	707-01-0J780	20407-	3.4m Arm	P-UB-14	115 mm	160 mm	KOM-707-99-72390	711.53
MODEL PC1250SP-8								
ARM (B/H)	707-01-0CA40	30158-		P-UB-14	170 mm	250 mm	KOM-707-98-85310	2218.23
BOOM (B/H)	21N-63-02304	30158-30246		P-UB-14	160 mm	225 mm	KOM-707-99-78740	1824.53
	21N-63-02304	30158-30246		Bushing	160 mm		KOM-707-52-91351	168.91
	707-F1-01380	30247-		P-UB-14	160 mm	225 mm	KOM-707-99-78440	1851.21
	707-F1-01380	30247-		Bushing	160 mm		KOM-707-52-91351	168.91
	BUCKET LH (B/H)	707-01-0J770	30158-30246	3.4m Arm	P-UB-14	115 mm	160 mm	KOM-707-99-72390
707-01-0J772		30247-	3.4m Arm	P-UB-14	115 mm	160 mm	KOM-707-99-72090	843.74
BUCKET RH (B/H)	707-01-0J780	30158-30246	3.4m Arm	P-UB-14	115 mm	160 mm	KOM-707-99-72390	711.53
	707-01-0J782	30247-	3.4m Arm	P-UB-14	115 mm	160 mm	KOM-707-99-72090	843.74
MODEL PC1800-6								
ARM (B/H)	21T-63-02330	10001-		P-UB-14	160 mm	250 mm	KOM-707-99-85310	2486.97
	21T-63-02330	10001-		Bushing	160 mm		KOM-707-52-91350	168.91
BOOM LH (B/H)	21T-63-02310	10001-10044		P-UB-14	190 mm	280 mm	KOM-707-99-87700	2327.87
	21T-63-02311	10045-		P-UB-25	190 mm	280 mm	KOM-707-99-87730	2327.87
BOOM RH (B/H)	21T-63-02320	10001-10044		P-UB-14	190 mm	280 mm	KOM-707-99-87700	2327.87
	21T-63-02321	10045-		P-UB-25	190 mm	280 mm	KOM-707-99-87730	2327.87
BUCKET (B/H)	21T-63-02350	10001-		P-UB-14	140 mm	200 mm	KOM-707-99-77130	1517.51

LT - Large size tire L/S - Loading Shovel SLF - Super Long Front B/H - Backhoe HD - Heavy Duty L BUCKET - Large Bucket
 K-LINK - K-type Linkage Blade LB HI-LIFT - High Lift Arm w Large Bucket HI-LIFT - High Lift Arm S HI-LIFT - Super High Lift Arm
 SU - Semi-U Dozer PAT - Power Angle Power Tilt MP - Multi-Purpose

FORMERLY LISTED REPAIR PARTS ARE AVAILABLE ONLINE AT WWW.HERCULESUS.COM
 OR BY CONTACTING YOUR REGIONAL HERCULES SALES TEAM.

Replacement Kits For

KOMATSU

Excavators								
APPLICATION	CYL #	SERIAL #	Misc	CODE	ROD	BORE	KIT #	List \$
MODEL PC1800-6								
BUCKET (B/H)	21T-63-02350	10001-		Bushing	140 mm		KOM-707-52-91150	170.81
MODEL PC2000-8								
ARM (B/H)	707-01-0K770	20001-		P-UB-14	160 mm	250 mm	KOM-707-99-85350	4336.66
	707-01-0K770	20001-		Bushing	160 mm		KOM-707-52-91351	168.91
BOOM (B/H)	707-01-0K750	20001-		P-UB-14	200 mm	300 mm	KOM-707-99-96140	5203.60
BOOM LH (B/H)	707-01-0K750	20001-		P-UB-14	200 mm	300 mm	KOM-707-99-96140	5203.60
BOOM RH (B/H)	707-01-0K760	20001-		P-UB-14	200 mm	300 mm	KOM-707-99-96140	5203.60
BUCKET (B/H)	707-01-0K790	20001-		P-UB-14	140 mm	200 mm	KOM-707-99-76260	1886.33
LADDER CYLINDER	707-00-0E670	20073-		P-U-14	50 mm	95 mm	KOM-707-98-29640	157.16
	707-00-0E670	20073-		Bushing	50 mm		KOM-07177-05030	21.84
SERVICE BOARD LIFT	707-00-0Y770	20150-		P-U-14	35 mm	65 mm	KOM-707-98-13890	61.78
	707-00-0Y770	20150-		Bushing	35 mm		KOM-07177-03525	11.55
MODEL PC8000-6E								
ARM	91399040			RK-I-V-1	290 mm		KOM-770-318-73	3414.34
	92680040			PK-N-N-10		460 mm	KOM-794-792-73	4977.86
BUCKET	91397540			RK-I-V-1	260 mm		KOM-770-184-73	2640.31
	91397540			PK-N-N-10		380 mm	KOM-794-000-73	3909.12
SEMI-ARM	91588040			RK-I-V-1	240 mm		KOM-769-931-73	1315.27
	95766040			PK-N-N-10		330 mm	KOM-767-482-73	1871.42
TENSIONER	91782040			RK-I-BB-1	260 mm		KOM-770-552-73	2541.03
	94843040			RK-N-BB-1	260 mm		KOM-797-431-73	2793.68
THUMB	91588540			PK-N-N-10		300 mm	KOM-792-062-73	1736.38
Excavators - Compact								
APPLICATION	CYL #	SERIAL #	Misc	CODE	ROD	BORE	KIT #	List \$
MODEL PC27MR-3								
ARM	707-00-0F461	20509-	2180 mm Boom, Breaker	P-U-14	40 mm	65 mm	KOM-707-98-14910	76.96
	707-00-0F461	20509-	2180 mm Boom, Breaker	Bushing	40 mm		KOM-707-52-15130	13.12
ARM (Cab)	707-00-0F461	20002-20508		P-U-14	40 mm	65 mm	KOM-707-98-14910	76.96
	707-00-0F461	20002-20508		Bushing	40 mm		KOM-707-52-15130	13.12
ARM (Canopy)	707-00-0F461	20002-20508		P-U-14	40 mm	65 mm	KOM-707-98-14910	76.96
	707-00-0F461	20002-20508		Bushing	40 mm		KOM-707-52-15130	13.12
BLADE LIFT	707-00-0E551	20509-		P-U-14	45 mm	85 mm	KOM-707-98-24930	125.98
	707-00-0E551	20509-		Bushing	45 mm		KOM-707-52-15210	18.00
BLADE LIFT (Cab)	707-00-0E551	20002-20508		P-U-14	45 mm	85 mm	KOM-707-98-24930	125.98
	707-00-0E551	20002-20508		Bushing	45 mm		KOM-707-52-15210	18.00
BLADE LIFT (Canopy)	707-00-0E551	20002-20508		P-U-14	45 mm	85 mm	KOM-707-98-24930	125.98
	707-00-0E551	20002-20508		Bushing	45 mm		KOM-707-52-15210	18.00
BOOM	707-00-0H551	20509-		P-U-14	45 mm	75 mm	KOM-707-98-23890	100.92
BOOM (Cab)	707-00-0H551	20002-20508		P-U-14	45 mm	75 mm	KOM-707-98-23890	100.92
BOOM (Canopy)	707-00-0H551	20002-20508		P-U-14	45 mm	75 mm	KOM-707-98-23890	100.92
BOOM SWING	707-00-0H571	20509-		P-U-14	40 mm	75 mm	KOM-707-98-22890	100.04
	707-00-0H571	20509-		Bushing	40 mm		KOM-707-52-10411	15.35
BOOM SWING (Cab)	707-00-0H571	20002-20508		P-U-14	40 mm	75 mm	KOM-707-98-22890	100.04
	707-00-0H571	20002-20508		Bushing	40 mm		KOM-707-52-10411	15.35
BOOM SWING (Canopy)	707-00-0H571	20002-20508		P-U-14	40 mm	75 mm	KOM-707-98-22890	100.04
	707-00-0H571	20002-20508		Bushing	40 mm		KOM-707-52-10411	15.35
BUCKET	707-00-0H561	20509-	1370 mm Arm	P-U-14	35 mm	55 mm	KOM-707-98-13990	148.42
	707-00-0H561	20509-	1370 mm Arm	Bushing	35 mm		KOM-707-52-15110	11.55
BUCKET (Cab)	707-00-0H561	20002-20508		P-U-14	35 mm	55 mm	KOM-707-98-13990	148.42
	707-00-0H561	20002-20508		Bushing	35 mm		KOM-707-52-15110	11.55

LT - Large size tire L/S - Loading Shovel SLF - Super Long Front B/H - Backhoe HD - Heavy Duty L BUCKET - Large Bucket
 K-LINK - K-type Linkage Blade LB HI-LIFT - High Lift Arm w Large Bucket HI-LIFT - High Lift Arm S HI-LIFT - Super High Lift Arm
 SU - Semi-U Dozer PAT - Power Angle Power Tilt MP - Mult-Purpose

KOMATSU

Replacement Kits For

Excavators - Compact								
APPLICATION	CYL #	SERIAL #	Misc	CODE	ROD	BORE	KIT #	List \$
MODEL PC27MR-3								
BUCKET (Canopy)	707-00-0H561	20002-20508		P-U-14	35 mm	55 mm	KOM-707-98-13990	148.42
	707-00-0H561	20002-20508		Bushing	35 mm		KOM-707-52-15110	11.55
MODEL PC28UU-2								
ARM	21U-63-02122	7001-10800		P-U-14	40 mm	80 mm	KOM-707-98-22150	102.46
	21U-63-02122	7001-10800		Bushing	40 mm		KOM-07177-04025	13.12
BLADE	21U-63-02151	7001-10800		P-U-14	40 mm	80 mm	KOM-707-98-22020	92.39
	21U-63-02151	7001-10800		Bushing	40 mm		KOM-07177-04025	13.12
	21U-63-02152	10801-		P-U-14	40 mm	80 mm	KOM-707-98-22020	92.39
	21U-63-02152	10801-		Bushing	40 mm		KOM-07177-04025	13.12
BLADE TILT	20P-63-02121	7001-10800		P-U-14	40 mm	80 mm	KOM-707-98-23100	80.70
	20P-63-02121	7001-10800		Bushing	40 mm		KOM-07177-04025	13.12
BOOM	21U-63-02111	10801-	Head 707-29-80070	P-U-14	45 mm	80 mm	KOM-707-98-24170	104.08
	21U-63-02111	7001-10800	Head 707-29-80231	P-U-14	45 mm	80 mm	KOM-707-98-24170	104.08
	21U-63-02111	7001-10800	Head 707-29-80231	Bushing	45 mm		KOM-07177-04530	18.54
BUCKET	21S-63-02131	7001-10800	Double Arm	P-U-10	25 mm	50 mm	KOM-21S-63-02131K	170.46
	21S-63-02131	7001-10800	Double Arm	Bushing	25 mm		KOM-07177-02525	7.67
	21U-63-02131	7001-10800		P-U-14	35 mm	65 mm	KOM-707-98-12211	223.25
	21U-63-02131	7001-10800		Bushing	35 mm		KOM-07177-03525	11.55
OFFSET	21U-63-02141	7001-10800		P-U-14	35 mm	70 mm	KOM-707-98-12410	107.87
	21U-63-02141	7001-10800		Bushing	35 mm		KOM-07177-03525	11.55
SLIDE ARM	21U-63-02161	7001-10800		P-U-14	30 mm	50 mm	KOM-707-98-04610	51.70
	21U-63-02161	7001-10800		Bushing	30 mm		KOM-07177-03025	10.41
MODEL PC28UU-3								
ARM	21U-63-02422	30001-		P-U-14	40 mm	75 mm	KOM-707-98-22820	80.16
	21U-63-02422	30001-		Bushing	40 mm		KOM-707-52-10410	15.35
BLADE	21U-63-02451	30001-		P-U-14	40 mm	80 mm	KOM-707-98-22180	99.23
BOOM	21U-63-02413	30001-		P-U-14	45 mm	75 mm	KOM-707-98-24820	106.26
BUCKET	21U-63-02480	30001-		P-U-14	40 mm	70 mm	KOM-707-98-14610	107.87
	21U-63-02480	30001-		Bushing	40 mm		KOM-07177-04025	13.12
	21U-63-02530	30001-		P-U-14	35 mm	65 mm	KOM-707-98-13850	60.23
OFFSET	21U-63-02442	30001-		P-U-14	35 mm	65 mm	KOM-707-98-13850	60.23
MODEL PC35MR-3								
ARM	707-00-0H501	15001-16594		P-U-14	45 mm	75 mm	KOM-707-98-23870	109.68
	707-00-0H501	15001-16594		Bushing	45 mm		KOM-707-52-15210	18.00
	707-00-0H501	16595-	2540 mm Boom	P-U-14	45 mm	75 mm	KOM-707-98-23870	109.68
	707-00-0H501	16595-	2540 mm Boom	Bushing	45 mm		KOM-707-52-15210	18.00
ARM (Cab)	707-00-0H501	15001-16594		P-U-14	45 mm	75 mm	KOM-707-98-23870	109.68
	707-00-0H501	15001-16594		Bushing	45 mm		KOM-707-52-15210	18.00
ARM (Canopy)	707-00-0G340	15001-16594	PA Blade	P-U-14	35 mm	60 mm	KOM-707-98-13220	78.91
	707-00-0G340	15001-16594	PA Blade	Bushing	35 mm		KOM-707-52-15110	11.55
BLADE	707-00-0E591	16595-18585		P-U-14	45 mm	95 mm	KOM-707-98-24770	95.27
	707-00-0E591	16595-18585		Bushing	45 mm		KOM-707-52-15210	18.00
	707-00-0E592	18686-		P-U-14	45 mm	95 mm	KOM-707-98-30550	109.85
	707-00-0E592	18686-		Bushing	45 mm		KOM-707-52-15210	18.00
BLADE ANGLE	707-00-0G340	16595-	Power Angle Dozer	P-U-14	35 mm	60 mm	KOM-707-98-13220	78.91
	707-00-0G340	16595-		Bushing	35 mm		KOM-707-52-15110	11.55
BLADE ANGLE (Cab)	707-00-0G340	15001-16594	PA Blade	P-U-14	35 mm	60 mm	KOM-707-98-13220	78.91
	707-00-0G340	15001-16594	PA Blade	Bushing	35 mm		KOM-707-52-15110	11.55
BLADE ANGLE (Canopy)	707-00-0F370	15001-16594	PAT Blade	P-U-14	45 mm	95 mm	KOM-707-98-24770	95.27
	707-00-0F370	15001-16594	PAT Blade	Bushing	45 mm		KOM-707-52-15210	18.00

LT - Large size tire L/S - Loading Shovel SLF - Super Long Front B/H - Backhoe HD - Heavy Duty L BUCKET - Large Bucket
 K-LINK - K-type Linkage Blade LB HI-LIFT - High Lift Arm w Large Bucket HI-LIFT - High Lift Arm S HI-LIFT - Super High Lift Arm
 SU - Semi-U Dozer PAT - Power Angle Power Tilt MP - Multi-Purpose

FORMERLY LISTED REPAIR PARTS ARE AVAILABLE ONLINE AT WWW.HERCULESUS.COM
 OR BY CONTACTING YOUR REGIONAL HERCULES SALES TEAM.

Replacement Kits For

KOMATSU

Excavators - Compact								
APPLICATION	CYL #	SERIAL #	Misc	CODE	ROD	BORE	KIT #	List \$
MODEL PC35MR-3								
BLADE LIFT	707-00-0F370	16595-	PAT Dozer	P-U-14	45 mm	95 mm	KOM-707-98-24770	95.27
	707-00-0F370	16595-	PAT Dozer	Bushing	45 mm		KOM-707-52-15210	18.00
BLADE LIFT (Cab)	707-00-0E591	15001-16594		P-U-14	45 mm	95 mm	KOM-707-98-24770	95.27
	707-00-0E591	15001-16594		Bushing	45 mm		KOM-707-52-15210	18.00
	707-00-0F370	15001-16594	PAT Blade	P-U-14	45 mm	95 mm	KOM-707-98-24770	95.27
	707-00-0F370	15001-16594	PAT Blade	Bushing	45 mm		KOM-707-52-15210	18.00
BLADE LIFT (Canopy)	707-00-0E591	15001-16594		P-U-14	45 mm	95 mm	KOM-707-98-24770	95.27
	707-00-0E591	15001-16594		Bushing	45 mm		KOM-707-52-15210	18.00
BOOM	707-00-0H511	16595-18686	Swing	P-U-14	50 mm	95 mm	KOM-707-98-29670	115.42
	707-00-0H511	16595-18686	Swing	Bushing	50 mm		KOM-707-52-15230	21.84
	707-00-0H512	18687-	Swing	P-U-14	50 mm	95 mm	KOM-707-98-29720	130.18
	707-00-0H512	18687-	Swing	Bushing	50 mm		KOM-707-52-15230	21.84
	707-00-0H541	16595-18400	2540 mm Boom	P-U-14	45 mm	80 mm	KOM-707-98-24330	116.21
	707-00-0H541	18401-18686	2540 mm Boom	P-U-14	45 mm	80 mm	KOM-707-98-24330	116.21
	707-00-0H542	18687-	2540 mm Boom	P-U-14	45 mm	80 mm	KOM-707-98-26070	116.96
BOOM (Cab)	707-00-0H541	15001-16594		P-U-14	45 mm	80 mm	KOM-707-98-24330	116.21
BOOM (Canopy)	707-00-0H541	15001-16594		P-U-14	45 mm	80 mm	KOM-707-98-24330	116.21
BOOM SWING (Cab)	707-00-0H511	15001-16594		P-U-14	50 mm	95 mm	KOM-707-98-29670	115.42
	707-00-0H511	15001-16594		Bushing	50 mm		KOM-707-52-15230	21.84
BOOM SWING (Canopy)	707-00-0H511	15001-16594		P-U-14	50 mm	95 mm	KOM-707-98-29670	115.42
	707-00-0H511	15001-16594		Bushing	50 mm		KOM-707-52-15230	21.84
BUCKET	707-00-0E532	16595-	1720 mm Arm	P-U-14	40 mm	65 mm	KOM-707-98-14930	159.80
	707-00-0E532	16595-	1720 mm Arm	Bushing	40 mm		KOM-707-52-15130	13.12
	707-00-0E532	16595-16599	1720 mm Arm	P-U-14	40 mm	65 mm	KOM-707-98-14930	159.80
	707-00-0E532	16595-16599	1720 mm Arm	Bushing	40 mm		KOM-707-52-15130	13.12
	707-00-0E532	16600-18639	1720 mm Arm	P-U-14	40 mm	65 mm	KOM-707-98-14930	159.80
	707-00-0E532	16600-18639	1720 mm Arm	Bushing	40 mm		KOM-707-52-15130	13.12
	707-00-0E533	18640-	1720 mm Arm	P-U-14	40 mm	65 mm	KOM-707-98-14350	125.08
	707-00-0E533	18640-	1720 mm Arm	Bushing	40 mm		KOM-707-52-15130	13.12
BUCKET (Cab)	707-00-0E532	15001-16594		P-U-14	40 mm	65 mm	KOM-707-98-14930	159.80
	707-00-0E532	15001-16594		Bushing	40 mm		KOM-707-52-15130	13.12
BUCKET (Canopy)	707-00-0E532	15001-16594		P-U-14	40 mm	65 mm	KOM-707-98-14930	159.80
	707-00-0E532	15001-16594		Bushing	40 mm		KOM-707-52-15130	13.12
MODEL PC35MR-5								
ANGLE BLADE	707-00-0G340	30001-		P-U-14	35 mm	60 mm	KOM-707-98-13220	78.91
	707-00-0G340	30001-		Bushing	35 mm		KOM-707-52-15110	11.55
ARM	707-G0-02270	30001-		P-U-14	45 mm	75 mm	KOM-707-98-23870	109.68
	707-G0-02270	30001-		Bushing	45 mm		KOM-707-52-15210	18.00
BLADE	707-00-0J772	30001-		P-U-14	45 mm	95 mm	KOM-707-98-30550	109.85
	707-00-0J772	30001-		Bushing	45 mm		KOM-707-52-15210	18.00
BOOM	707-G0-02410	30001-		P-U-14	45 mm	80 mm	KOM-707-98-26070	116.96
BOOM (Swing)	707-00-0H513	30001-		P-U-14	50 mm	95 mm	KOM-707-98-29720	130.18
	707-00-0H513	30001-		Bushing	50 mm		KOM-707-52-15230	21.84
BUCKET	707-00-0E534	30001-30158; 30248-30158		P-U-14	40 mm	65 mm	KOM-707-98-14350	125.08

LT - Large size tire L/S - Loading Shovel SLF - Super Long Front B/H - Backhoe HD - Heavy Duty L BUCKET - Large Bucket
 K-LINK - K-type Linkage Blade LB HI-LIFT - High Lift Arm w Large Bucket HI-LIFT - High Lift Arm S HI-LIFT - Super High Lift Arm
 SU - Semi-U Dozer PAT - Power Angle Power Tilt MP - Mulit-Purpose

Replacement Kits For

KOMATSU

Excavators - Compact								
APPLICATION	CYL #	SERIAL #	Misc	CODE	ROD	BORE	KIT #	List \$
MODEL PC35MR-5								
BUCKET	707-00-0E534	30001-30158; 30248-30158		Bushing	40 mm		KOM-707-52-15130	13.12
	707-00-0J811; 707-00-0J812	30001-; 30001- 30004; 30005-; 30159-; 30248-		P-U-14	35 mm	70 mm	KOM-707-98-13610	43.48
	707-00-0J811; 707-00-0J812	30001-; 30001- 30004; 30005-; 30159-; 30248-		Bushing	40 mm		KOM-707-52-15130	13.12
MODEL PC45MR-5								
ANGLE	707-00-0G490	30001-		P-U-14	40 mm	70 mm	KOM-707-98-14770	73.91
	707-00-0G490	30001-		Bushing	40 mm		KOM-707-52-15130	13.12
ANGLE BLADE (w/Power Angle Dozer)	707-00-0H901	30001-		P-U-14	55 mm	115 mm	KOM-707-98-34750	210.02
	707-00-0H901	30001-		Bushing	55 mm		KOM-707-52-15310	25.79
ARM	707-G0-02121	30001-		P-U-14	50 mm	90 mm	KOM-721-98-01280	241.62
	707-G0-02121	30001-		Bushing	50 mm		KOM-707-52-15230	21.84
BLADE	707-00-0J781	30001-		P-U-14	50 mm	110 mm	KOM-707-98-32570	141.56
	707-00-0J781	30001-		Bushing	50 mm		KOM-707-52-15230	21.84
BOOM	707-G0-01410	30001-		P-U-14	50 mm	90 mm	KOM-721-98-01280	241.62
	707-G0-01810; 707-G0-01811; 707-G0-01812	30001-30230; 30231-30403; 30404-		P-U-14	55 mm	90 mm	KOM-721-98-01560	264.01
	707-G0-01810; 707-G0-01811; 707-G0-01812	30001-30230; 30231-30403; 30404-		Bushing	55 mm		KOM-707-52-15310	25.79
BOOM (Swing)	707-00-0H662	30001-		P-U-14	50 mm	90 mm	KOM-707-98-25780	107.46
	707-00-0H662	30001-		Bushing	50 mm		KOM-707-52-15230	21.84
BUCKET	707-00-0J791; 707-00-0H711	30001-30020; 30021-		P-U-14	45 mm	70 mm	KOM-707-98-15780	64.36
	707-00-0J791; 707-00-0H711	30001-30020; 30021-		Bushing	45 mm		KOM-707-52-15210	18.00
	707-00-0H711	30021-						
MODEL PC55MR-3								
ANGLE	707-00-0G490	15001-		P-U-14	40 mm	70 mm	KOM-707-98-14770	73.91
	707-00-0G490	15001-		Bushing	40 mm		KOM-07177-04025	13.12
ARM	707-00-0H810	15001-15400; 15401-16000; F30003-		P-U-14	55 mm	85 mm	KOM-707-98-26820	126.48
	707-00-0H810	15001-15400; 15401-16000; F30003-		Bushing	55 mm		KOM-07177-05530	25.79
	707-00-0H810	16001-19543		P-U-14	55 mm	85 mm	KOM-707-98-26820	126.48
	707-00-0H810	16001-19543		Bushing	55 mm		KOM-707-52-15310	25.79
	707-00-0H811	19544-; F30003-		P-U-14	55 mm	85 mm	KOM-707-98-26820	126.48
BLADE LIFT	707-00-0H811	19544-; F30003-		Bushing	55 mm		KOM-707-52-15310	25.79
	707-00-0H722	15001-		P-U-14	50 mm	110 mm	KOM-707-98-32570	141.56
	707-00-0H722	15001-		Bushing	50 mm		KOM-707-52-15230	21.84
	707-00-0H901	15001-		P-U-14	55 mm	115 mm	KOM-707-98-34750	210.02
	707-00-0H901	15001-		Bushing	55 mm		KOM-707-52-15310	25.79
	707-00-0J780	F30003-		P-U-14	50 mm	110 mm	KOM-707-98-32570	141.56
	707-00-0J780	F30003-		Bushing	50 mm		KOM-707-52-15230	21.84
BOOM	707-00-XJ801	F30003-		P-U-14	50mm	75mm	KOM-707-98-26310	98.94
	707-00-XJ801	F30003-		Bushing	50 mm		KOM-707-52-15230	21.84
	707-00-0H691	15001-19481; F30003-		P-U-14	50 mm	90 mm	KOM-707-98-25750	132.29
BOOM SWING	707-00-0H692	19482-		P-U-14	50 mm	90 mm	KOM-707-98-25750	132.29
	707-00-0H830	F30003-		P-U-14	50mm	95mm	KOM-707-98-29680	131.48
	707-00-0H830	F30003-		Bushing	50 mm		KOM-07177-05030	21.84
707-00-0H831	15001-; F30003-		P-U-14	50mm	95mm	KOM-707-98-29680	131.48	

LT - Large size tire L/S - Loading Shovel SLF - Super Long Front B/H - Backhoe HD - Heavy Duty L BUCKET - Large Bucket
 K-LINK - K-type Linkage Blade LB HI-LIFT - High Lift Arm w Large Bucket HI-LIFT - High Lift Arm S HI-LIFT - Super High Lift Arm
 SU - Semi-U Dozer PAT - Power Angle Power Tilt MP - Multi-Purpose

FORMERLY LISTED REPAIR PARTS ARE AVAILABLE ONLINE AT WWW.HERCULESUS.COM
 OR BY CONTACTING YOUR REGIONAL HERCULES SALES TEAM.

Replacement Kits For

KOMATSU

Excavators - Compact								
APPLICATION	CYL #	SERIAL #	Misc	CODE	ROD	BORE	KIT #	List \$
MODEL PC55MR-3								
BOOM SWING	707-00-0H831	15001-; F30003-		Bushing	50 mm		KOM-707-52-15230	21.84
BUCKET	707-00-0H820	15001-16000		P-U-14	50 mm	75 mm	KOM-707-98-26200	123.86
	707-00-0H820	15001-16000		Bushing	50 mm		KOM-07177-05030	21.84
	707-00-0H820	16001-16509		P-U-14	50 mm	75 mm	KOM-707-98-26200	123.86
	707-00-0H820	16001-16509		Bushing	50 mm		KOM-707-52-15230	21.84
	707-00-0H821	16510-		P-U-14	50 mm	75 mm	KOM-707-98-26200	123.86
	707-00-0H821	16510-		Bushing	50 mm		KOM-707-52-15230	21.84
	707-00-0J800	F30003-		Bushing	50 mm		KOM-707-52-15230	21.84
	707-00-0J801	F30003-		P-U-14	50mm	75mm	KOM-707-98-26310	98.94
	707-00-0J801	F30003-		Bushing	50 mm		KOM-707-52-15230	21.84
TRACK ADJUSTER	22M-30-32100	15001-; F30003-		Track Adj			KOM-SK100194	144.04
MODEL PC55MR-5								
ANGLE	707-00-0G490	20001-		P-U-14	40 mm	70 mm	KOM-707-98-14770	73.91
	707-00-0G490	20001-		Bushing	40 mm		KOM-707-52-15130	13.12
ARM	707-00-0H810	20001-20481		P-U-14	55 mm	85 mm	KOM-707-98-26820	126.48
	707-00-0H810	20001-20481		Bushing	55 mm		KOM-707-52-15310	25.79
	707-00-0H811	20482-; 9101-; F40001-; F60003-		P-U-14	55 mm	85 mm	KOM-707-98-26820	126.48
	707-00-0H811	20482-; 9101-; F40001-; F60003-		Bushing	55 mm		KOM-707-52-15310	25.79
BLADE	707-00-0J780	F40001-; F60003-		P-U-14	50 mm	110 mm	KOM-707-98-32570	141.56
	707-00-0J780	F40001-; F60003-		Bushing	50 mm		KOM-707-52-15230	21.84
	707-00-0J781	20001-; 9101-		P-U-14	50 mm	110 mm	KOM-707-98-32570	141.56
	707-00-0J781	20001-; 9101-		Bushing	50 mm		KOM-707-52-15230	21.84
BOOM	707-G0-01410	20001-		P-U-14	50 mm	90 mm	KOM-721-98-01280	241.62
	707-G0-01810	20001-		P-U-14	55 mm	90 mm	KOM-721-98-01560	264.01
	707-G0-01811	20197-20373		P-U-14	55 mm	90 mm	KOM-721-98-01560	264.01
	707-G0-01811	20197-20373		Bushing	55 mm		KOM-707-52-15310	25.79
	707-G0-01812	20374-; 9101-; F40001-; F60003-		P-U-14	55 mm	90 mm	KOM-721-98-01560	264.01
	707-G0-01812	20374-; 9101-; F40001-; F60003-		Bushing	55 mm		KOM-707-52-15310	25.79
BOOM SWING	707-00-0H831	20001-; 9101-; F40001-; F60003-		P-U-14	50mm	95mm	KOM-707-98-29680	131.48
	707-00-0H831	20001-; 9101-; F40001-; F60003-		Bushing	50 mm		KOM-707-52-15230	21.84
BUCKET	707-00-0J801	20001-; 9101-; F40001-; F60003-		P-U-14	50mm	75mm	KOM-707-98-26310	98.94
	707-00-0J801	20001-; 9101-; F40001-; F60003-		Bushing	50 mm		KOM-707-52-15230	21.84
TRACK ADJUSTER	22M-30-32100	20001-; 9101-; F40001-; F60003-	w/ valve	Track Adj			KOM-SK100194	144.04
	22M-30-32100	20001-; 9101-; F40001-; F60003-		P-OB-1	40 mm		KOM-1909041	11.36
	22M-30-32500	20001-; 9101-; F40001-; F60003-	w/ valve	Track Adj			KOM-SK100194	144.04
	22M-30-32500	20001-; 9101-; F40001-; F60003-		P-OB-1	40 mm		KOM-1909041	11.36
MODEL PC78US-8								
BLADE	707-00-0H752	15752-		P-U-14	65 mm	115 mm	KOM-707-98-36700	148.78
	707-00-0H752	15752-		Bushing	55 mm		KOM-707-52-15310	25.79
BLADE ANGLE	707-00-0H950	15001-		P-U-14	65 mm	130 mm	KOM-707-98-42700	151.66
	707-00-0H950	15001-		Bushing	65 mm		KOM-707-52-10660	31.73
BOOM	707-00-0H740	15001-	Without Anti-drop valve	P-U-14	60 mm	100 mm	KOM-707-98-35310	114.14
	707-00-0H740	15001-	Without Anti-drop valve	Bushing	60 mm		KOM-07177-06030	26.22
BUCKET	707-00-0H751	15001-15751		P-U-14	65 mm	115 mm	KOM-707-98-36700	148.78

LT - Large size tire L/S - Loading Shovel SLF - Super Long Front B/H - Backhoe HD - Heavy Duty L BUCKET - Large Bucket
 K-LINK - K-type Linkage Blade LB HI-LIFT - High Lift Arm w Large Bucket HI-LIFT - High Lift Arm S HI-LIFT - Super High Lift Arm
 SU - Semi-U Dozer PAT - Power Angle Power Tilt MP - Mulit-Purpose

KOMATSU

Replacement Kits For

Excavators - Compact								
APPLICATION	CYL #	SERIAL #	Misc	CODE	ROD	BORE	KIT #	List \$
MODEL PC78US-8								
BUCKET	707-00-0H751	15001-15751		Bushing	55 mm		KOM-707-52-15310	25.79
	707-00-0H930	15001-		P-U-14	65 mm	115 mm	KOM-707-98-36700	148.78
	707-00-0H930	15001-		Bushing	65 mm		KOM-707-52-10660	31.73
MODEL PC78US-10								
ARM	707-G0-01740	30001-30797		P-U-14	60 mm	100 mm	KOM-721-98-00680	166.87
	707-G0-01740	30001-30797		Bushing	60 mm		KOM-707-52-15330	26.22
	707-G0-01741	30798-		P-U-14	60 mm	100 mm	KOM-721-98-00680	166.87
	707-G0-01741	30798-		Bushing	60 mm		KOM-707-52-15330	26.22
BLADE	707-G0-01760	30001-		P-U-14	65 mm	130 mm	KOM-721-98-00700	160.12
	707-G0-01760	30001-		Bushing	65 mm		KOM-707-52-10661	31.73
BOOM	707-G0-01730	30001-		P-U-14	65 mm	115 mm	KOM-721-98-00670	302.92
	707-G0-01730	30001-		Bushing	65 mm		KOM-707-52-10661	31.73
BUCKET	707-00-0H911	30001-37126		P-U-14	55 mm	90 mm	KOM-707-98-26721	175.06
	707-00-0H911	30001-37126		Bushing	55 mm		KOM-707-52-15310	25.79
	707-00-0H912	37127-		P-U-14	55 mm	90 mm	KOM-707-98-26721	175.06
	707-00-0H912	37127-		Bushing	55 mm		KOM-707-52-15310	25.79
	707-G0-01880	30001-37204		P-U-14	55 mm	90 mm	KOM-707-98-26721	175.06
	707-G0-01880	30001-37204		Bushing	55 mm		KOM-707-52-15310	25.79
	707-G0-01881	37205-		P-U-14	55 mm	90 mm	KOM-707-98-26721	175.06
	707-G0-01881	37205-		Bushing	55 mm		KOM-707-52-15310	25.79
TRACK ADJUSTER	21W-30-00140	30001-		TRK ADJ			KOM-SK100218	138.79
	21W-30-00140	30001-	w/ valve	TRK ADJ			KOM-SK100217	220.06
	21W-30-00150	30001-		TRK ADJ			KOM-SK100218	138.79
	21W-30-00150	30001-	w/ valve	TRK ADJ			KOM-SK100217	220.06
MODEL PC88MR-10								
ANGLE	707-00-XJ640	7001-		P-U-14	45 mm	90 mm	KOM-707-98-24800	93.70
	707-00-XJ640	7001-		Bushing	45 mm		KOM-707-52-15210	18.00
ARM	707-G0-01170	7001-7617		P-U-14	60 mm	100 mm	KOM-707-98-35340	154.05
	707-G0-01170	7001-7617		Bushing	60 mm		KOM-707-52-15330	26.22
	707-G0-01171	7618-		P-U-14	60 mm	100 mm	KOM-707-98-35340	154.05
	707-G0-01171	7618-		Bushing	60 mm		KOM-707-52-15330	26.22
BLADE	707-00-0J650	7001-		P-U-14	65 mm	140 mm	KOM-707-98-51140	145.09
	707-00-0J650	7001-		Bushing	65 mm		KOM-707-52-10661	31.73
	707-G0-01190	7001-		P-U-14	65 mm	130 mm	KOM-707-98-42720	117.37
	707-G0-01190	7001-		Bushing	65 mm		KOM-707-52-10661	31.73
BOOM	707-G0-01160	7001-		P-U-14	65 mm	115 mm	KOM-707-98-36740	246.88
	707-G0-01160	7001-		Bushing	65 mm		KOM-707-52-10661	31.73
BOOM SWING	707-G0-01200	7001-		P-U-14	60 mm	120 mm	KOM-707-98-41380	245.70
	707-G0-01200	7001-		Bushing	60 mm		KOM-707-52-15330	26.22
BUCKET	707-G0-01180	7001-		P-U-14	55 mm	90 mm	KOM-707-98-30720	91.14
	707-G0-01180	7001-		Bushing	55 mm		KOM-707-52-15310	25.79
Excavators - Wheel								
APPLICATION	CYL #	SERIAL #	Misc	CODE	ROD	BORE	KIT #	List \$
MODEL PW05-1								
BLADE	707-00-60340	1001-		P-U-10	30 mm	60 mm	KOM-707-98-11090	155.83
BOOM	707-00-50650	1001-		P-U-10	30 mm	50 mm	KOM-707-98-04500	160.12
STEERING	707-00-60350	1001-		P-U-10	30 mm	60 mm	KOM-707-98-11090	155.83
SUSPENSION LOCK	707-00-40020	1001-		P-U-1	40 mm		KOM-707-98-06010	47.69
MODEL PW20-1								
ARM	20R-63-66300	1001-		P-U-14	40 mm	80 mm	KOM-707-98-22040	200.20
BLADE	21E-63-02010	1001-		P-U-14	45 mm	90 mm	KOM-707-98-24430	246.71
BOOM	20R-63-56500	1001-		P-U-14	40 mm	80 mm	KOM-707-98-22110	190.34
BOOM SWING	20S-63-86301	1001-		P-U-14	35 mm	70 mm	KOM-707-98-12440	132.76
BUCKET	20R-63-76301	1001-		P-U-14	35 mm	70 mm	KOM-707-98-12440	132.76
STEERING	21E-63-02020	1001-		P-U-10	35 mm	70 mm	KOM-707-98-12450	173.19

LT - Large size tire L/S - Loading Shovel SLF - Super Long Front B/H - Backhoe HD - Heavy Duty L BUCKET - Large Bucket
 K-LINK - K-type Linkage Blade LB HI-LIFT - High Lift Arm w Large Bucket HI-LIFT - High Lift Arm S HI-LIFT - Super High Lift Arm
 SU - Semi-U Dozer PAT - Power Angle Power Tilt MP - Multi-Purpose

FORMERLY LISTED REPAIR PARTS ARE AVAILABLE ONLINE AT WWW.HERCULESUS.COM
 OR BY CONTACTING YOUR REGIONAL HERCULES SALES TEAM.

Replacement Kits For

KOMATSU

Excavators - Wheel

APPLICATION	CYL #	SERIAL #	Misc	CODE	ROD	BORE	KIT #	List \$
MODEL PW30-1								
ARM	20R-63-66300	1001-		P-U-14	40 mm	80 mm	KOM-707-98-22040	200.20
BLADE	21E-63-02010	1001-		P-U-14	45 mm	90 mm	KOM-707-98-24430	246.71
BOOM	20R-63-56500	1001-		P-U-14	40 mm	80 mm	KOM-707-98-22110	190.34
BOOM SWING	20S-63-86301	1001-		P-U-14	35 mm	70 mm	KOM-707-98-12440	132.76
BUCKET	20S-63-76102	1001-		P-U-14	40 mm	70 mm	KOM-707-98-14600	155.69
STEERING	21E-63-02020	1001-		P-U-10	35 mm	70 mm	KOM-707-98-12450	173.19
MODEL PW60,N-1								
BUCKET	201-63-26301	1501-		P-U-5	55 mm	90 mm	KOM-707-99-26600	302.64
OUTRIGGER	20B-63-12102	1501-		P-U-5	55 mm	90 mm	KOM-707-99-26600	302.64
STEERING	20B-63-22101	1501-		P-U-10	25 mm	50 mm	KOM-707-99-03500	146.91
MODEL PW60-3								
BLADE	20B-63-02060	2001-		P-U-14	45 mm	70 mm	KOM-707-98-15720	228.40
BOOM	201-63-02010	2001-		P-U-14	65 mm	100 mm	KOM-707-99-36260	323.66
BUCKET	201-63-02030	2001-		P-U-14	55 mm	90 mm	KOM-707-98-26520	161.86
OUTRIGGER	20B-63-02020	2001-		P-U-14	45 mm	70 mm	KOM-707-98-15700	162.90
MODEL PW100-1								
ARM	202-63-62100	1003-		P-U-14	70 mm	120 mm	KOM-707-98-43100	401.28
BLADE	20D-63-96300	1003-		P-U-14	50 mm	90 mm	KOM-707-98-25510	288.11
	20D-63-96400	1003-		P-U-14	50 mm	90 mm	KOM-707-98-25510	288.11
BOOM	202-63-52100	1003-		P-U-14	65 mm	110 mm	KOM-707-98-36510	291.64
	202-63-52200	1003-		P-U-14	65 mm	110 mm	KOM-707-98-36510	291.64
BUCKET	202-63-72100	1003-		P-U-14	65 mm	110 mm	KOM-707-98-36520	215.94
OUTRIGGER	20D-63-12700	1003-		P-U-14	65 mm	110 mm	KOM-707-98-36500	253.56
	20D-63-12800	1003-		P-U-14	65 mm	110 mm	KOM-707-98-36500	253.56
STEERING	20D-63-22301	1003-		P-U-14	30 mm	60 mm	KOM-707-99-11030	135.43
MODEL PW100-3								
OUTRIGGER	20G-63-12101	1601-		P-U-14	70 mm	110 mm	KOM-707-98-37500	295.78
	20G-63-12201	1601-		P-U-14	70 mm	110 mm	KOM-707-98-37500	295.78
MODEL PW100N-3								
ARM	202-63-62500	1601-1667		P-U-14	75 mm	110 mm	KOM-707-98-38600	319.84
	202-63-62502	1668-2300		P-U-14	75 mm	110 mm	KOM-707-98-38600	319.84
	20D-63-02030	2301-		P-U-14	75 mm	110 mm	KOM-707-98-38600	319.84
BOOM	202-63-52500	1601-2300		P-UB-14	65 mm	100 mm	KOM-707-98-36100	271.56
	202-63-52600	1601-2300		P-UB-14	65 mm	100 mm	KOM-707-98-36100	271.56
	20D-63-02010	2301-		P-UB-14	65 mm	100 mm	KOM-707-98-36100	271.56
BUCKET	202-63-72500	1601-1667		P-UB-14	65 mm	100 mm	KOM-707-98-36110	203.18
	202-63-72501	1668-2300		P-UB-14	65 mm	100 mm	KOM-707-98-36110	203.18
	20D-63-02040	2301-		P-UB-14	65 mm	100 mm	KOM-707-98-36110	203.18
OUTRIGGER	20D-63-13100	1601-		P-U-14	65 mm	110 mm	KOM-707-98-36560	253.40
	20D-63-13200	1601-		P-U-14	65 mm	110 mm	KOM-707-98-36560	253.40
STEERING	20D-63-22502	1601-		P-U-14	35 mm	70 mm	KOM-707-98-12410	107.87
MODEL PW150-1								
ARM	20G-63-62100	1001-		P-U-14	90 mm	130 mm	KOM-707-98-47510	483.18
ARM (Lock Valve)	20G-63-62141	1001-		P-U-14	90 mm	130 mm	KOM-707-98-47510	483.18
BLADE	20G-63-92110	1001-		P-U-14	70 mm	110 mm	KOM-707-98-37500	295.78
BOOM	20G-63-52100	1001-1024		P-U-14	70 mm	110 mm	KOM-707-98-37600	133.40
	20G-63-52101	1025-1220		P-U-14	70 mm	110 mm	KOM-707-98-37600	133.40
	20G-63-52102	1221-		P-U-14	70 mm	110 mm	KOM-707-98-37600	133.40
BOOM (Lock Valve)	20G-63-52110	1001-		P-U-14	70 mm	110 mm	KOM-707-98-37600	133.40
BUCKET	20G-63-72100	1001-		P-U-14	70 mm	110 mm	KOM-707-98-37610	217.51
OUTRIGGER	20G-63-12100	1001-1283		P-U-14	70 mm	110 mm	KOM-707-98-37500	295.78
	20G-63-12101	1284-		P-U-14	70 mm	110 mm	KOM-707-98-37500	295.78
	20G-63-12200	1001-1283		P-U-14	70 mm	110 mm	KOM-707-98-37500	295.78
	20G-63-12201	1284-		P-U-14	70 mm	110 mm	KOM-707-98-37500	295.78
STEERING	20G-63-22100	1001-		P-U-10	40 mm	80 mm	KOM-707-98-22010	154.48

LT - Large size tire L/S - Loading Shovel SLF - Super Long Front B/H - Backhoe HD - Heavy Duty L BUCKET - Large Bucket
 K-LINK - K-type Linkage Blade LB HI-LIFT - High Lift Arm w Large Bucket HI-LIFT - High Lift Arm S HI-LIFT - Super High Lift Arm
 SU - Semi-U Dozer PAT - Power Angle Power Tilt MP - Multi-Purpose

KOMATSU

Replacement Kits For

Excavators - Wheel								
APPLICATION	CYL #	SERIAL #	Misc	CODE	ROD	BORE	KIT #	List \$
MODEL PW150-1								
STEERING	20G-63-22100	1284-		P-U-10	40 mm	80 mm	KOM-707-98-22010	154.48
SUSPENSION LOCK	20G-63-32100	1001-		P-U-14	70 mm	110 mm	KOM-707-98-37500	295.78
MODEL PW210-1								
ARM	205-63-62101	10001-		P-U-14	95 mm	130 mm	KOM-707-98-48600	508.54
	205-63-69300	10035-		P-UB-14	75 mm	110 mm	KOM-707-98-38551	481.51
BOOM	205-63-52100	10001-		P-U-14	85 mm	120 mm	KOM-707-98-46200	438.05
	205-63-52200	10001-		P-U-14	85 mm	120 mm	KOM-707-98-46200	438.05
BUCKET	205-63-72100	10001-		P-U-14	75 mm	110 mm	KOM-707-98-38500	286.87
	205-63-72100	10035-		P-UB-14	75 mm	110 mm	KOM-707-98-38551	481.51
BUCKET (1.8M)	205-63-72301	10001-		P-U-14	85 mm	120 mm	KOM-707-98-46100	354.88
OUTRIGGER	20K-63-02010	10001-		P-U-14	80 mm	130 mm	KOM-707-98-45700	477.60
STEERING	20K-63-02030	10001-		P-U-14	40 mm	90 mm	KOM-707-98-22430	179.28
SUSPENSION LOCK	20G-63-32100	10001-		P-U-14	70 mm	110 mm	KOM-707-98-37500	295.78
Loaders - Skid Steer								
APPLICATION	CYL #	SERIAL #	Misc	CODE	ROD	BORE	KIT #	List \$
MODEL SK815-5								
BUCKET LH	37A-6C-11201	37BTF00003-, 37BF00006-		P-U-14	30 mm	60 mm	KOM-878010240	109.41
BUCKET RH	37A-6C-11301	37BTF00003-, 37BF00006-		P-U-14	30 mm	60 mm	KOM-878010240	109.41
LIFT	37B-6C-11101	37BTF00003-, 37BF00006-		P-U-14	35 mm	55 mm	KOM-878010241	95.28
MODEL SK815-5N								
BUCKET LH	37A-6C-11201	A30001-		P-U-14	30 mm	60 mm	KOM-878010240	109.41
BUCKET RH	37A-6C-11301	A30001-		P-U-14	30 mm	60 mm	KOM-878010240	109.41
LIFT	37B-6C-11101	A30001-		P-U-14	35 mm	55 mm	KOM-878010241	95.28
MODEL SK1020-5								
BUCKET LH	37C-6C-11200	37CTF00003-, 37CF00004-		P-U-14	35 mm	65 mm	KOM-878010284	98.37
BUCKET RH	37C-6C-11300	37CTF00003-, 37CF00004-		P-U-14	35 mm	65 mm	KOM-878010284	98.37
LIFT	37C-6C-11100	37CTF00003-, 37CF00004-		P-U-14	40 mm	65 mm	KOM-878010285	99.26
MODEL SK1020-5N								
BUCKET LH	37C-6C-11200	A70001-		P-U-14	35 mm	65 mm	KOM-878010284	98.37
BUCKET RH	37C-6C-11300	A70001-		P-U-14	35 mm	65 mm	KOM-878010284	98.37
LIFT	37C-6C-11100	A70001-		P-U-14	40 mm	65 mm	KOM-878010285	99.26
MODEL SK1020-5NA								
BUCKET LH	37C-6C-11200	A60001-		P-U-14	35 mm	65 mm	KOM-878010284	98.37
BUCKET RH	37C-6C-11300	A60001-		P-U-14	35 mm	65 mm	KOM-878010284	98.37
LIFT	37C-6C-11100	A60001-		P-U-14	40 mm	65 mm	KOM-878010285	99.26
Loaders - Track Skid Steer								
APPLICATION	CYL #	SERIAL #	Misc	CODE	ROD	BORE	KIT #	List \$
MODEL CK30-1								
BUCKET LH	37C-6C-11200	A30001-; F00003-		P-U-14	35 mm	65 mm	KOM-878010284	98.37
BUCKET RH	37C-6C-11300	A30001-; F00003-		P-U-14	35 mm	65 mm	KOM-878010284	98.37
LIFT	37C-6C-11100	A30001-; F00003-		P-U-14	40 mm	65 mm	KOM-878010285	99.26
MODEL CK35-1								
BUCKET LH	37C-6C-11200	A40001-		P-U-14	35 mm	65 mm	KOM-878010284	98.37
BUCKET RH	37C-6C-11300	A40001-		P-U-14	35 mm	65 mm	KOM-878010284	98.37
LIFT	37C-6C-17200	A40001-		P-U-14	40 mm	65 mm	KOM-878010285	99.26
Loaders - Wheel								
APPLICATION	CYL #	SERIAL #	Misc	CODE	ROD	BORE	KIT #	List \$
MODEL WA40-1								
CLAM	363-63-22200	1001-		P-U-10	30 mm	60 mm	KOM-707-98-11090	155.83
GRAPPLE	362-63-97100	1001-		P-U-10	30 mm	50 mm	KOM-707-99-04410	168.43
STEERING	363-63-52100	1001-		P-U-10	35 mm	70 mm	KOM-707-98-12450	173.19

LT - Large size tire L/S - Loading Shovel SLF - Super Long Front B/H - Backhoe HD - Heavy Duty L BUCKET - Large Bucket
 K-LINK - K-type Linkage Blade LB HI-LIFT - High Lift Arm w Large Bucket HI-LIFT - High Lift Arm S HI-LIFT - Super High Lift Arm
 SU - Semi-U Dozer PAT - Power Angle Power Tilt MP - Multi-Purpose

FORMERLY LISTED REPAIR PARTS ARE AVAILABLE ONLINE AT WWW.HERCULESUS.COM
 OR BY CONTACTING YOUR REGIONAL HERCULES SALES TEAM.

Replacement Kits For

KOMATSU

Loaders - Wheel								
APPLICATION	CYL #	SERIAL #	Misc	CODE	ROD	BORE	KIT #	List \$
MODEL WA50-3								
DUMP	42A-63-01020	20642-		P-U-14	45 mm	75 mm	KOM-707-98-24820	106.26
MODEL WA65-3								
DUMP	42T-63-13170	HA940549-771, H20761-		P-UB-10	45 mm	80 mm	KOM-42T-63-H0P01	183.90
LIFT	42T-63-12110	HA940549-771, H20761-		P-UB-14	50 mm	95 mm	KOM-42T-63-H0P18	205.26
STEERING	42U-63-11110	HA940549-771, H20761-		P-U-10	35 mm	70 mm	KOM-42U-63-H0P12	83.10
MODEL WA65-5								
DUMP	42T-63-23100	H50051-		P-U-10	50 mm	85 mm	KOM-42U-63-H0P43	300.03
	42T-63-23110	H50051-		P-U-10	50 mm	85 mm	KOM-42T-63-H0P70	194.72
LIFT	42T-63-22100	H50051-		P-U-10	50 mm	95 mm	KOM-42U-63-H0P56	153.89
	42T-63-22120	H50051-		P-U-10	50 mm	95 mm	KOM-42T-63-H0P61	223.63
STEERING	42T-63-21010	H50051-		P-U-10	35 mm	70 mm	KOM-42U-63-H0P67	87.55
	42T-63-21020	H50051-		P-U-10	35 mm	70 mm	KOM-42T-63-H0P52	174.20
MODEL WA70-1								
DUMP	707-00-01200	12001-		P-U-14	40 mm	80 mm	KOM-707-99-22100	269.99
	707-00-80041	10001-11999		P-U-14	40 mm	80 mm	KOM-707-99-22100	269.99
DUMP (HI-LIFT)	707-00-80540	10001-11999		P-U-14	40 mm	80 mm	KOM-707-99-22100	269.99
LIFT	707-00-01000	1200-		P-U-14	45 mm	80 mm	KOM-707-99-24100	223.02
	707-00-80033	10001-11999		P-U-14	45 mm	80 mm	KOM-707-99-24100	223.02
LIFT (HI-LIFT)	707-00-80530	10001-11999		P-U-14	45 mm	80 mm	KOM-707-99-24100	223.02
MODEL WA120-1								
DUMP	707-00-12140	10001-		P-U-14	60 mm	120 mm	KOM-707-99-41100	266.93
LIFT	707-00-11320	10001-		P-U-14	70 mm	110 mm	KOM-707-99-37500	200.50
	707-00-11330	10001-		P-U-14	70 mm	110 mm	KOM-707-99-37500	200.50
STEERING	707-00-60012	10001-		P-U-14	40 mm	60 mm	KOM-707-99-14200	156.33
	707-00-60022	10001-		P-U-14	40 mm	60 mm	KOM-707-99-14200	156.33
MODEL WA120-3								
DUMP	707-00-03211	50001-		P-U-14	50 mm	100 mm	KOM-707-99-32110	178.04
STEERING	707-00-60012	50001-		P-U-14	40 mm	60 mm	KOM-707-99-14200	156.33
	707-00-60022	50001-		P-U-14	40 mm	60 mm	KOM-707-99-14200	156.33
MODEL WA180-1								
CLAM	707-00-90010	10001-		P-U-14	50 mm	90 mm	KOM-707-99-25520	260.53
DUMP	707-01-13190	10001-		P-U-14	70 mm	130 mm	KOM-707-99-43500	329.91
	707-01-13510	10001-		P-U-14	70 mm	130 mm	KOM-707-99-43500	329.91
LIFT	707-00-12080	10001-10088		P-U-14	70 mm	120 mm	KOM-707-99-43100	322.88
	707-00-12081	10089-		P-U-14	70 mm	120 mm	KOM-707-99-43100	322.88
STEERING	707-00-70410	10001-		P-U-14	45 mm	70 mm	KOM-707-99-15600	227.72
	707-00-70420	10001-		P-U-14	45 mm	70 mm	KOM-707-99-15600	227.72
MODEL WA180-3								
DUMP	707-00-03231	53001-		P-U-14	60 mm	120 mm	KOM-707-99-41130	101.52
	707-00-03231	53001-		Bushing	60 mm		KOM-07177-06030	26.22
	707-01-02310	50001-		P-U-14	70 mm	130 mm	KOM-707-99-43520	476.44
LIFT	707-00-03030	50001-		P-U-14	70 mm	110 mm	KOM-707-99-37510	265.54
	707-00-06130	50001-		P-U-14	70 mm	110 mm	KOM-707-99-37510	265.54
STEERING	707-00-60012	50001-		P-U-14	40 mm	60 mm	KOM-707-99-14200	156.33
	707-00-60022	50001-		P-U-14	40 mm	60 mm	KOM-707-99-14200	156.33
MODEL WA200-5L								
BOOM LH	707-00-0E720	A82001-		P-U-14	65 mm	120 mm	KOM-707-98-42150	122.17
	707-00-0E720	A82001-		Bushing	65 mm		KOM-707-52-10660	31.73
BOOM RH	707-00-0E730	A82001-		P-U-14	65 mm	120 mm	KOM-707-98-42150	122.17
	707-00-0E730	A82001-		Bushing	65 mm		KOM-707-52-10660	31.73
BUCKET	707-00-0E740	A82001-		P-U-14	65 mm	130 mm	KOM-707-98-42540	169.40
	707-00-0E740	A82001-		Bushing	65 mm		KOM-707-52-10660	31.73
BUCKET (HI-LIFT)	707-00-0F220	A82001-		P-U-14	65 mm	130 mm	KOM-707-98-42540	169.40

LT - Large size tire L/S - Loading Shovel SLF - Super Long Front B/H - Backhoe HD - Heavy Duty L BUCKET - Large Bucket
 K-LINK - K-type Linkage Blade LB HI-LIFT - High Lift Arm w Large Bucket HI-LIFT - High Lift Arm S HI-LIFT - Super High Lift Arm
 SU - Semi-U Dozer PAT - Power Angle Power Tilt MP - Mult-Purpose

KOMATSU

Replacement Kits For

KOMATSU

Loaders - Wheel								
APPLICATION	CYL #	SERIAL #	Misc	CODE	ROD	BORE	KIT #	List \$
MODEL WA200-5L								
BUCKET (HI-LIFT)	707-00-0F220	A82001-		Bushing	65 mm		KOM-707-52-10660	31.73
STEERING	707-00-0C190	A82001-		P-U-14	40 mm	70 mm	KOM-707-99-14760	236.55
	707-00-0C190	A82001-		Bushing	40 mm		KOM-07177-04025	13.12
MODEL WA200-6								
BUCKET	707-00-0E740	70001-		P-U-14	65 mm	130 mm	KOM-707-98-42540	169.40
	707-00-0H880	B20001-		P-U-14	65 mm	130 mm	KOM-707-98-42540	169.40
	707-00-XZ750	70001-		P-U-14	65 mm	130 mm	KOM-707-98-42540	169.40
BUCKET HI-LIFT	707-00-0F220	70001-		P-U-14	65 mm	130 mm	KOM-707-98-42540	169.40
	707-00-XY030	70001-		P-U-14	65 mm	130 mm	KOM-707-98-42540	169.40
LIFT LH	707-00-0E721	70001-		P-U-14	65 mm	120 mm	KOM-707-98-42150	122.17
	707-00-XE721	70001-		P-U-14	65 mm	120 mm	KOM-707-98-42150	122.17
	707-00-XE721	B20001-		P-U-14	65 mm	120 mm	KOM-707-98-42150	122.17
	707-00-XZ731	70001-		P-U-14	65 mm	120 mm	KOM-707-98-42150	122.17
LIFT RH	707-00-0E731	70001-		P-U-14	65 mm	120 mm	KOM-707-98-42150	122.17
	707-00-0E731	B20001-		P-U-14	65 mm	120 mm	KOM-707-98-42150	122.17
	707-00-XE731	70001-		P-U-14	65 mm	120 mm	KOM-707-98-42150	122.17
	707-00-XZ741	70001-		P-U-14	65 mm	120 mm	KOM-707-98-42150	122.17
STEERING LH	707-00-0C190	B20001-		P-UB-14	40 mm	70 mm	KOM-707-99-14460	195.50
	707-00-0E731	B20001-		P-UB-14	40 mm	70 mm	KOM-707-99-14460	195.50
	707-00-0H170	70001-		P-UB-14	40 mm	70 mm	KOM-707-99-14460	195.50
	707-00-XX900	70001-		P-UB-14	40 mm	70 mm	KOM-707-99-14460	195.50
STEERING RH	707-00-07H80	B20001-		P-UB-14	40 mm	70 mm	KOM-707-99-14460	195.50
	707-00-0C190	B20001-		P-UB-14	40 mm	70 mm	KOM-707-99-14460	195.50
	707-00-0H180	70001-		P-UB-14	40 mm	70 mm	KOM-707-99-14460	195.50
	707-00-XX910	70001-		P-UB-14	40 mm	70 mm	KOM-707-99-14460	195.50
MODEL WA200-7								
BOOM LH	707-00-0H360	80001-; H01051-		P-U-14	70 mm	125 mm	KOM-707-98-43290	108.43
	707-00-0H360	80001-; H01051-		Bushing	70 mm		KOM-707-52-10701	31.69
BOOM RH	707-00-0H370	80001-; H01051-		P-U-14	70 mm	125 mm	KOM-707-98-43290	108.43
	707-00-0H370	80001-; H01051-		Bushing	70 mm		KOM-707-52-10701	31.69
BUCKET	707-01-0AF71	80001-; H01051-		P-U-14	90 mm	150 mm	KOM-707-98-56640	395.31
	707-01-0AF71	80001-; H01051-		Bushing	90 mm		KOM-707-52-10911	62.58
QUICK COUPLER	42Y-72-H0P01	80001-; H01051-		I-U-10	20 mm	50 mm	KOM-42Y-72-HOP14	158.97
STEERING LH	707-00-0H170	80001-; H01051-		P-UB-14	40 mm	70 mm	KOM-707-99-14460	195.50
	707-00-0H170	80001-; H01051-		Bushing	40 mm		KOM-707-52-15130	13.12
STEERING RH	707-00-0H180	80001-; H01051-		P-UB-14	40 mm	70 mm	KOM-707-99-14460	195.50
	707-00-0H180	80001-; H01051-		Bushing	40 mm		KOM-707-52-15130	13.12
MODEL WA200-8								
BOOM LIFT LH	707-00-0H360	85001-85112		P-U-14	70 mm	125 mm	KOM-707-98-43290	108.43
	707-00-0H361	85113-		P-UB-14	70 mm	125 mm	KOM-721-98-03100	214.80
BOOM LIFT LH HI-LIFT	707-00-0H361	85001-		P-UB-14	70 mm	125 mm	KOM-721-98-03100	214.80
	707-00-0H370	85001-85112		P-U-14	70 mm	125 mm	KOM-707-98-43290	108.43
BOOM LIFT RH	707-00-0H371	85113-		P-UB-14	70 mm	125 mm	KOM-721-98-03100	214.80
	707-00-0H371	85001-		P-UB-14	70 mm	125 mm	KOM-721-98-03100	214.80
BOOM LIFT RH HI-LIFT	707-00-0H371	85001-		P-UB-14	70 mm	125 mm	KOM-721-98-03100	214.80
BUCKET	707-G1-04321	85001-		P-UB-14	90 mm	150 mm	KOM-721-98-02650	179.51
BUCKET HI-LIFT BOOM	707-G1-05390	85001-		P-UB-14	90 mm	150 mm	KOM-721-98-02650	179.51
QUICK COUPLER	707-00-02460	85001-85006		P-U-10	20 mm	35 mm	KOM-707-99-02050	74.78
	707-G0-00631	85007-		P-U-10	20 mm	35 mm	KOM-707-99-02050	74.78
QUICK COUPLER LOCK	707-00-02460	85001-85006		P-U-10	20 mm	35 mm	KOM-707-99-02050	74.78
	707-G0-00631	85007-		P-U-10	20 mm	35 mm	KOM-707-99-02050	74.78
MODEL WA200L-5								
BOOM LH	707-00-0E720	65001-68260		P-U-14	65 mm	120 mm	KOM-707-98-42150	122.17
	707-00-0E720	65001-68260		Bushing	65 mm		KOM-707-52-10660	31.73
	707-00-0E721	68261-		P-U-14	65 mm	120 mm	KOM-707-98-42150	122.17
	707-00-0E721	68261-		Bushing	65 mm		KOM-707-52-10660	31.73

LT - Large size tire L/S - Loading Shovel SLF - Super Long Front B/H - Backhoe HD - Heavy Duty L BUCKET - Large Bucket
 K-LINK - K-type Linkage Blade LB HI-LIFT - High Lift Arm w Large Bucket HI-LIFT - High Lift Arm S HI-LIFT - Super High Lift Arm
 SU - Semi-U Dozer PAT - Power Angle Power Tilt MP - Multit-Purpose

**FORMERLY LISTED REPAIR PARTS ARE AVAILABLE ONLINE AT WWW.HERCULESUS.COM
 OR BY CONTACTING YOUR REGIONAL HERCULES SALES TEAM.**

Replacement Kits For

KOMATSU

Loaders - Wheel								
APPLICATION	CYL #	SERIAL #	Misc	CODE	ROD	BORE	KIT #	List \$
MODEL WA200L-5								
BOOM RH	707-00-0E730	65001-68260		P-U-14	65 mm	120 mm	KOM-707-98-42150	122.17
	707-00-0E730	65001-68260		Bushing	65 mm		KOM-707-52-10660	31.73
	707-00-0E731	68261-		P-U-14	65 mm	120 mm	KOM-707-98-42150	122.17
	707-00-0E731	68261-		Bushing	65 mm		KOM-707-52-10660	31.73
BUCKET	707-00-0E740	65001-		P-U-14	65 mm	130 mm	KOM-707-98-42540	169.40
	707-00-0E740	65001-		Bushing	65 mm		KOM-707-52-10660	31.73
STEERING	707-00-0C190	65001-		P-U-14	40 mm	70 mm	KOM-707-99-14760	236.55
	707-00-0C190	65001-		Bushing	40 mm		KOM-07177-04025	13.12
MODEL WA200PZ-6								
BUCKET	707-01-0AF71	70001-		P-U-14	90 mm	150 mm	KOM-707-98-56640	395.31
	707-01-XM331	70001-		P-U-14	90 mm	150 mm	KOM-707-98-56640	395.31
LIFT LH	707-00-0E721	70001-		P-U-14	70 mm	125 mm	KOM-707-98-43290	108.43
	707-00-XH360	70001-		P-U-14	70 mm	125 mm	KOM-707-98-43290	108.43
	707-00-XU070	70001-		P-U-14	70 mm	125 mm	KOM-707-98-43290	108.43
LIFT RH	707-00-0E731	70001-		P-U-14	70 mm	125 mm	KOM-707-98-43290	108.43
	707-00-XH370	70001-		P-U-14	70 mm	125 mm	KOM-707-98-43290	108.43
	707-00-XU080	70001-		P-U-14	70 mm	125 mm	KOM-707-98-43290	108.43
STEERING LH	707-00-0H170	70001-		P-UB-14	40 mm	70 mm	KOM-707-99-14460	195.50
	707-00-XX900	70001-		P-UB-14	40 mm	70 mm	KOM-707-99-14460	195.50
STEERING RH	707-00-0H180	70001-		P-UB-14	40 mm	70 mm	KOM-707-99-14460	195.50
	707-00-XX910	70001-		P-UB-14	40 mm	70 mm	KOM-707-99-14460	195.50
MODEL WA250-1								
DUMP	707-01-15030	10001-		P-U-14	75 mm	150 mm	KOM-707-99-53500	370.46
LIFT	707-01-13520	10001-		P-U-14	70 mm	130 mm	KOM-707-99-43500	329.91
STEERING	707-00-01350	10629-		P-U-14	40 mm	70 mm	KOM-707-99-14610	131.32
	707-00-70131	10001-10628		P-U-14	40 mm	70 mm	KOM-707-99-14600	219.10
MODEL WA250-3								
LIFT	707-01-03151	50001-		P-U-14	70 mm	120 mm	KOM-707-99-43110	384.07
STEERING	707-00-01350-	50001-		P-U-14	40 mm	70 mm	KOM-707-99-14600	219.10
MODEL WA250-5								
BUCKET	418-63-33111	H50051-		P-U-14	75 mm	150 mm	KOM-418-63-05000	232.66
	418-63-33111	H50051-		Bushing	75 mm		KOM-707-52-10750	43.54
BUCKET (HI-LIFT)	418-850-3410	H50051-		P-U-14	75 mm	150 mm	KOM-418-63-05000	232.66
	418-850-3410	H50051-		Bushing	75 mm		KOM-707-52-10750	43.54
LIFT	418-63-32110	H50051-		P-U-14	70 mm	130 mm	KOM-418-62-05000	131.87
	418-63-32110	H50051-		Bushing	70 mm		KOM-707-52-10700	31.69
STEERING	419-63-H1120	H50051-		P-U-14	40 mm	70 mm	KOM-419-63-H0P12	236.55
MODEL WA250-5L								
BOOM	418-63-32110	A73001-		P-U-14	70 mm	130 mm	KOM-418-62-05000	131.87
	418-63-32110	A73001-		Bushing	70 mm		KOM-707-52-10700	31.69
BUCKET	418-63-33111	A73001-		P-U-14	75 mm	150 mm	KOM-418-63-05000	232.66
	418-63-33111	A73001-		Bushing	75 mm		KOM-707-52-10750	43.54
BUCKET (HI-LIFT)	418-850-3410	A73001-		P-U-14	75 mm	150 mm	KOM-418-63-05000	232.66
	418-850-3410	A73001-		Bushing	75 mm		KOM-707-52-10750	43.54
STEERING	707-00-0C190	A73001-		P-U-14	40 mm	70 mm	KOM-707-99-14760	236.55
	707-00-0C190	A73001-		Bushing	40 mm		KOM-07177-04025	13.12
MODEL WA250-6								
BOOM LIFT	418-63-32110	75001-	Z-BAR	P-U-14	70 mm	130 mm	KOM-418-62-05000	131.87
	418-63-32110	75001-	Z-BAR	Bushing	70 mm		KOM-707-52-10700	31.69
	418-63-32110	75053-		P-U-14	70 mm	130 mm	KOM-418-62-05000	131.87
	418-63-32110	75053-		Bushing	70 mm		KOM-707-52-10700	31.69
	418-63-32110	A76001-		P-U-14	70 mm	130 mm	KOM-418-62-05000	131.87
	418-63-32110	A76001-		Bushing	70 mm		KOM-707-52-10700	31.69
BUCKET	418-63-33111	75001-		P-U-14	75 mm	150 mm	KOM-418-63-05000	232.66
	418-63-33111	75001-		Bushing	75 mm		KOM-707-52-10750	43.54

LT - Large size tire L/S - Loading Shovel SLF - Super Long Front B/H - Backhoe HD - Heavy Duty L BUCKET - Large Bucket
K-LINK - K-type Linkage Blade LB HI-LIFT - High Lift Arm w Large Bucket HI-LIFT - High Lift Arm S HI-LIFT - Super High Lift Arm
SU - Semi-U Dozer PAT - Power Angle Power Tilt MP - Multi-Purpose

KOMATSU

Replacement Kits For

Loaders - Wheel								
APPLICATION	CYL #	SERIAL #	Misc	CODE	ROD	BORE	KIT #	List \$
MODEL WA250-6								
BUCKET	418-63-33111	75053-		P-U-14	70 mm	130 mm	KOM-418-62-05000	131.87
	418-63-33111	75053-		Bushing	75 mm		KOM-707-52-10750	43.54
	418-63-33111	A76001-		P-U-14	75 mm	150 mm	KOM-418-63-05000	232.66
	418-63-33111	A76001-		Bushing	75 mm		KOM-707-52-10750	43.54
	418-850-3410	75001-	High Lift	P-U-14	75 mm	150 mm	KOM-418-63-05000	232.66
	418-850-3410	75001-	High Lift	Bushing	75 mm		KOM-707-52-10750	43.54
	418-850-3410	75053-	High Lift	P-U-14	75 mm	150 mm	KOM-418-63-05000	232.66
	418-850-3410	75053-	High Lift	Bushing	75 mm		KOM-707-52-10750	43.54
	418-850-3410	A76001-	High Lift	P-U-14	75 mm	150 mm	KOM-418-63-05000	232.66
STEERING LH	707-00-0H170	75001-		P-UB-14	40 mm	70 mm	KOM-707-99-14460	195.50
	707-00-0H170	75001-		Bushing	40 mm		KOM-07177-04025	13.12
	707-00-0H170	75053-		P-UB-14	40 mm	70 mm	KOM-707-99-14460	195.50
	707-00-0H170	75053-		Bushing	40 mm		KOM-707-52-15130	13.12
	707-00-0H170	A76001-		P-UB-14	40 mm	70 mm	KOM-707-99-14460	195.50
	707-00-0H170	A76001-		Bushing	40 mm		KOM-707-52-15130	13.12
	707-00-0H170	A76001-		Bushing	40 mm		KOM-707-52-15130	13.12
STEERING RH	707-00-0H180	75001-		P-UB-14	40 mm	70 mm	KOM-707-99-14460	195.50
	707-00-0H180	75001-		Bushing	40 mm		KOM-07177-04025	13.12
	707-00-0H180	75053-		P-UB-14	40 mm	70 mm	KOM-707-99-14460	195.50
	707-00-0H180	75053-		Bushing	40 mm		KOM-707-52-15130	13.12
	707-00-0H180	A76001-		P-UB-14	40 mm	70 mm	KOM-707-99-14460	195.50
707-00-0H180	A76001-		Bushing	40 mm		KOM-707-52-15130	13.12	
MODEL WA250L-5								
BUCKET	418-63-33111	70001-		P-U-14	75 mm	150 mm	KOM-418-63-05000	232.66
	418-63-33111	70001-		Bushing	75 mm		KOM-707-52-10750	43.54
LIFT	418-63-32110	70001-		P-U-14	70 mm	130 mm	KOM-418-62-05000	131.87
	418-63-32110	70001-		Bushing	70 mm		KOM-707-52-10700	31.69
STEERING	707-00-0C190	70001-		P-U-14	40 mm	70 mm	KOM-707-99-14760	236.55
	707-00-0C190	70001-		Bushing	40 mm		KOM-07177-04025	13.12
MODEL WA250PT-5								
BUCKET	707-01-0F750	70001-		P-U-14	90 mm	180 mm	KOM-707-99-64450	411.12
	707-01-0F750	70001-		Bushing	90 mm		KOM-707-52-10910	62.58
LIFT	418-63-32110	70001-		P-U-14	70 mm	130 mm	KOM-418-62-05000	131.87
	418-63-32110	70001-		Bushing	70 mm		KOM-707-52-10700	31.69
STEERING	707-00-0C190	70001-		P-U-14	40 mm	70 mm	KOM-707-99-14760	236.55
	707-00-0C190	70001-		Bushing	40 mm		KOM-07177-04025	13.12
MODEL WA250PT-5L								
BOOM	418-63-32110	A79001-		P-U-14	70 mm	130 mm	KOM-418-62-05000	131.87
	418-63-32110	A79001-		Bushing	70 mm		KOM-707-52-10700	31.69
BUCKET	707-01-X7830	A79001-		P-U-14	90 mm	180 mm	KOM-707-99-64450	411.12
	707-01-X7830	A79001-		Bushing	90 mm		KOM-707-52-10910	62.58
COUPLER	707-00-02460	A79001-		P-U-10	20 mm	35 mm	KOM-707-00-02460K	80.37
	707-00-02460	A79001-		Bushing	20 mm		KOM-707-52-10260	5.15
STEERING	707-00-0C190	A79001-		P-U-14	40 mm	70 mm	KOM-707-99-14760	236.55
	707-00-0C190	A79001-		Bushing	40 mm		KOM-07177-04025	13.12
MODEL WA250PTL-5								
BUCKET	707-01-0E460	70001-		P-U-14	90 mm	180 mm	KOM-707-99-64450	411.12
	707-01-0E460	70001-		Bushing	90 mm		KOM-707-52-10910	62.58
LIFT	418-63-32110	70001-		P-U-14	70 mm	130 mm	KOM-418-62-05000	131.87
	418-63-32110	70001-		Bushing	70 mm		KOM-707-52-10700	31.69
MULTI-COUPLER	707-00-02460	70001-		P-U-10	20 mm	35 mm	KOM-707-00-02460K	80.37
	707-00-02460	70001-		Bushing	20 mm		KOM-707-52-10260	5.15
STEERING	707-00-0C190	70001-		P-U-14	40 mm	70 mm	KOM-707-99-14760	236.55
	707-00-0C190	70001-		Bushing	40 mm		KOM-07177-04025	13.12

LT - Large size tire L/S - Loading Shovel SLF - Super Long Front B/H - Backhoe HD - Heavy Duty L BUCKET - Large Bucket
 K-LINK - K-type Linkage Blade LB HI-LIFT - High Lift Arm w Large Bucket HI-LIFT - High Lift Arm S HI-LIFT - Super High Lift Arm
 SU - Semi-U Dozer PAT - Power Angle Power Tilt MP - Mult-Purpose

FORMERLY LISTED REPAIR PARTS ARE AVAILABLE ONLINE AT WWW.HERCULESUS.COM
 OR BY CONTACTING YOUR REGIONAL HERCULES SALES TEAM.

Replacement Kits For

KOMATSU

Loaders - Wheel								
APPLICATION	CYL #	SERIAL #	Misc	CODE	ROD	BORE	KIT #	List \$
MODEL WA250PZ-6								
BOOM LIFT	418-63-32110	75750-		P-U-14	70 mm	130 mm	KOM-418-62-05000	131.87
	418-63-32110	75750-		Bushing	70 mm		KOM-707-52-10700	31.69
BUCKET	707-01-0K592	75001-75749		P-U-14	100 mm	170 mm	KOM-707-99-65840	530.70
	707-01-0K592	75001-75749		Bushing	100 mm		KOM-707-52-11010	83.66
	707-01-0K592	75750-		P-U-14	100 mm	170 mm	KOM-707-99-65840	530.70
	707-01-0K592	75750-		Bushing	100 mm		KOM-707-52-11011	83.66
MULTI-COUPLER	707-00-02460	75750-75777		P-U-10	20 mm	35 mm	KOM-707-00-02460K	80.37
	707-00-02460	75750-75777		Bushing	20 mm		KOM-707-52-10261	5.15
STEERING LH	707-00-0H170	75001-75749		P-UB-14	40 mm	70 mm	KOM-707-99-14460	195.50
	707-00-0H170	75001-75749		Bushing	40 mm		KOM-07177-04025	13.12
	707-00-0H170	75750-75846	w/o auto-greasing	P-UB-14	40 mm	70 mm	KOM-707-99-14460	195.50
	707-00-0H170	75750-75846	w/o auto-greasing	Bushing	40 mm		KOM-707-52-15130	13.12
	707-00-0H170	75750-75864	w/ auto-greasing	P-UB-14	40 mm	70 mm	KOM-707-99-14460	195.50
	707-00-0H170	75750-75864	w/ auto-greasing	Bushing	40 mm		KOM-707-52-15130	13.12
	707-00-0H170	75847-	w/o auto-greasing	P-U-14	40 mm	70 mm	KOM-707-98-13700	195.54
	707-00-0H170	75847-	w/o auto-greasing	Bushing	40 mm		KOM-707-52-15130	13.12
	707-00-0H170	75865-	w/ auto-greasing	P-U-14	40 mm	70 mm	KOM-707-98-13700	195.54
	707-00-0H170	75865-	w/ auto-greasing	Bushing	40 mm		KOM-707-52-15130	13.12
STEERING RH	707-00-0H180	75001-75749		P-UB-14	40 mm	70 mm	KOM-707-99-14460	195.50
	707-00-0H180	75001-75749		Bushing	40 mm		KOM-07177-04025	13.12
	707-00-0H180	75750-	w/ auto-greasing	P-UB-14	40 mm	70 mm	KOM-707-99-14460	195.50
	707-00-0H180	75750-	w/ auto-greasing	Bushing	40 mm		KOM-707-52-15130	13.12
	707-00-0H180	75750-75846	w/o auto-greasing	P-UB-14	40 mm	70 mm	KOM-707-99-14460	195.50
	707-00-0H180	75750-75846	w/o auto-greasing	Bushing	40 mm		KOM-707-52-15130	13.12
	707-00-0H180	75847-	w/o auto-greasing	P-UB-14	40 mm	70 mm	KOM-707-99-14460	195.50
	707-00-0H180	75847-	w/o auto-greasing	Bushing	40 mm		KOM-707-52-15130	13.12
MODEL WA270-7								
BOOM	707-E1-02370	A27001-		P-UB-14	70 mm	110 mm	KOM-707-99-37750	532.44
	707-E1-02370	A27001-		Bushing	70 mm		KOM-707-52-90471	32.40
BUCKET	707-E1-02380	80001-; A27001-		P-UB-14	100 mm	140 mm	KOM-707-99-59190	657.28
	707-E1-02380	80001-; A27001-		Bushing	100 mm		KOM-707-52-90781	58.59
	707-G1-03760	80001-		P-UB-14	100 mm	140 mm	KOM-707-99-59190	657.28
	707-G1-03760	80001-		Bushing	100 mm		KOM-707-52-90781	58.59
LIFT	707-E1-02370	80001-		P-UB-14	70 mm	110 mm	KOM-707-99-37750	532.44
	707-E1-02370	80001-		Bushing	70 mm		KOM-707-52-90471	32.40
QUICK COUPLER	707-00-02460	80001-81741; A27001-		P-U-10	20 mm	35 mm	KOM-707-99-02050	74.78
	707-00-02460	80001-81741; A27001-		Bushing	20 mm		KOM-707-52-10261	5.15
	707-G0-00631	81742-		P-U-10	20 mm	35 mm	KOM-707-99-02050	74.78
	707-G0-00631	81742-		Bushing	20 mm		KOM-707-52-10261	5.15
STEERING LH	707-E0-00910	80001-; A27001-		P-UB-14	40 mm	70 mm	KOM-707-99-14480	254.94
	707-E0-00910	80001-; A27001-		Bushing	40 mm		KOM-707-52-90151	13.12
STEERING RH	707-E0-00920	80001-; A27001-		P-UB-14	40 mm	70 mm	KOM-707-99-14480	254.94

LT - Large size tire L/S - Loading Shovel SLF - Super Long Front B/H - Backhoe HD - Heavy Duty L BUCKET - Large Bucket
 K-LINK - K-type Linkage Blade LB HI-LIFT - High Lift Arm w Large Bucket HI-LIFT - High Lift Arm S HI-LIFT - Super High Lift Arm
 SU - Semi-U Dozer PAT - Power Angle Power Tilt MP - Multi-Purpose

Replacement Kits For

KOMATSU

Loaders - Wheel								
APPLICATION	CYL #	SERIAL #	Misc	CODE	ROD	BORE	KIT #	List \$
MODEL WA270-7								
STEERING RH	707-E0-00920	80001-; A27001-		Bushing	40 mm		KOM-707-52-90151	13.12
MODEL WA270-8								
BOOM	707-E1-02370	A28001-		P-UB-14	70 mm	110 mm	KOM-707-99-37750	532.44
	707-E1-02370	A28001-		Bushing	70 mm		KOM-707-52-90471	32.40
BUCKET	707-E1-02380	83001-; A28001-		P-UB-14	100 mm	140 mm	KOM-707-99-59190	657.28
	707-G1-03760	83001-; A28001-		Bushing	100 mm		KOM-707-52-90781	58.59
	707-G1-03760	83001-; A28001-		P-UB-14	100 mm	140 mm	KOM-707-99-59190	657.28
	707-G1-03760	83001-; A28001-		Bushing	100 mm		KOM-707-52-90781	58.59
LIFT	707-E1-02370	83001-		P-UB-14	70 mm	110 mm	KOM-707-99-37750	532.44
	707-E1-02370	83001-		Bushing	70 mm		KOM-707-52-90471	32.40
QUICK COUPLER	707-00-02460	83001-83447; A28001-		P-U-10	20 mm	35 mm	KOM-707-99-02050	74.78
	707-00-02460	83001-83447; A28001-		Bushing	20 mm		KOM-707-52-10261	5.15
	707-G0-00631	83448-		P-U-10	20 mm	35 mm	KOM-707-99-02050	74.78
	707-G0-00631	83448-		Bushing	20 mm		KOM-707-52-10261	5.15
STEERING LH	707-G0-01630	83001-; A28001-		P-UB-14	40 mm	70 mm	KOM-721-98-01930	232.46
	707-G0-01630	83001-; A28001-		Bushing	40 mm		KOM-707-52-90151	13.12
STEERING RH	707-G0-01640	83001-; A28001-		P-UB-14	40 mm	70 mm	KOM-721-98-01930	232.46
	707-G0-01640	83001-; A28001-		Bushing	40 mm		KOM-707-52-90151	13.12
MODEL WA320-1								
DUMP	707-01-03710	20001-29999		P-U-14	80 mm	160 mm	KOM-707-99-62020	322.73
	707-01-16151	10001-19999		P-U-14	80 mm	160 mm	KOM-707-99-62010	339.09
LIFT		20001-29999		P-UB-14	75 mm	140 mm	KOM-707-99-53100	285.39
	707-01-03510	20001-29999		P-U-14	80 mm	140 mm	KOM-707-99-54100	289.67
	707-01-14131	10001-19999		P-U-14	80 mm	140 mm	KOM-707-99-54100	289.67
STEERING	707-00-01380	20001-29999		P-U-14	40 mm	70 mm	KOM-707-99-14610	131.32
	707-00-70131	10001-19999		P-U-14	40 mm	70 mm	KOM-707-99-14600	219.10
MODEL WA320-3								
DUMP		30001-		P-U-14	80 mm	160 mm	KOM-707-99-62020	322.73
		30001-		Bushing	80 mm		KOM-07177-08040	47.76
	707-01-02550	50001-, 53001-		P-U-14	80 mm	160 mm	KOM-707-99-62020	322.73
	707-01-03251	30001-		P-U-14	70 mm	130 mm	KOM-707-99-43520	476.44
GRAPPLE		30001-		P-U-14	50 mm	100 mm	KOM-707-99-32100	212.82
		30001-		Bushing	50 mm		KOM-07177-05030	21.84
LIFT		30001-		P-UB-14	75 mm	140 mm	KOM-707-99-53100	285.39
	707-01-03510	50001-		P-U-14	80 mm	140 mm	KOM-707-99-54100	289.67
	707-01-03510	53001-53046		P-UB-14	75 mm	140 mm	KOM-707-99-53100	285.39
	707-01-03510	53001-53046		Bushing	75 mm		KOM-707-52-10750	43.54
STEERING	707-00-01350	30001-, 53001-		P-U-14	40 mm	70 mm	KOM-707-99-14610	131.32
MODEL WA320-3L								
DUMP	707-01-03721	A30001-		P-U-14	80 mm	160 mm	KOM-707-99-62020	322.73
DUMP (HI-LIFT)	707-01-02440	A30001-		P-U-14	80 mm	160 mm	KOM-707-99-62020	322.73
LIFT	707-01-03511	A30001-		P-UB-14	75 mm	140 mm	KOM-707-99-53100	285.39
STEERING	707-00-03310	A30001-		P-UB-14	40 mm	70 mm	KOM-707-99-14750	159.74
MODEL WA320-5L								
BOOM	707-01-0F060	A32001-		P-UB-14	75 mm	140 mm	KOM-707-99-53170	400.67
DUMP	707-01-0F080	A32001-		P-UB-14	80 mm	160 mm	KOM-707-99-62120	544.11
STEERING	707-00-0Z680	A32001-		P-UB-14	40 mm	70 mm	KOM-707-99-14770	244.44
MODEL WA320-6								
BOOM LIFT	707-01-0F060	70001-70290		P-UB-14	75 mm	140 mm	KOM-707-99-53170	400.67
	707-01-0F060	70001-70290		Bushing	75 mm		KOM-707-52-90520	36.68
	707-01-0F060	70291-		P-UB-14	75 mm	140 mm	KOM-707-99-53170	400.67
	707-01-0F060	70291-		Bushing	75 mm		KOM-707-52-90521	36.68
	707-01-0F060	A34001-		P-UB-14	75 mm	140 mm	KOM-707-99-53170	400.67
	707-01-0F060	A34001-		Bushing	75 mm		KOM-707-52-90521	36.68

LT - Large size tire L/S - Loading Shovel SLF - Super Long Front B/H - Backhoe HD - Heavy Duty L BUCKET - Large Bucket
 K-LINK - K-type Linkage Blade LB HI-LIFT - High Lift Arm w Large Bucket HI-LIFT - High Lift Arm S HI-LIFT - Super High Lift Arm
 SU - Semi-U Dozer PAT - Power Angle Power Tilt MP - Multi-Purpose

FORMERLY LISTED REPAIR PARTS ARE AVAILABLE ONLINE AT WWW.HERCULESUS.COM
 OR BY CONTACTING YOUR REGIONAL HERCULES SALES TEAM.

Replacement Kits For

KOMATSU

KOMATSU

Loaders - Wheel								
APPLICATION	CYL #	SERIAL #	Misc	CODE	ROD	BORE	KIT #	List \$
MODEL WA320-6								
BOOM LIFT	707-01-0F060	A35001-		P-UB-14	75 mm	140 mm	KOM-707-99-53170	400.67
	707-01-0F060	A35001-		Bushing	75 mm		KOM-707-52-90520	36.68
BUCKET	707-01-0F080	70001-70290		P-UB-14	80 mm	160 mm	KOM-707-99-62120	544.11
	707-01-0F080	70001-70290		Bushing	80 mm		KOM-707-52-90560	43.95
	707-01-0F080	70291-		P-UB-14	80 mm	160 mm	KOM-707-99-62120	544.11
	707-01-0F080	70291-		Bushing	80 mm		KOM-707-52-90561	43.95
	707-01-0F080	A34001-		P-UB-14	80 mm	160 mm	KOM-707-99-62120	544.11
	707-01-0F080	A34001-		Bushing	80 mm		KOM-707-52-90561	43.95
	707-01-0F080	A35001-		P-UB-14	80 mm	160 mm	KOM-707-99-62120	544.11
	707-01-0F080	A35001-		Bushing	80 mm		KOM-707-52-90560	43.95
	707-01-0F940	70001-70290	High Lift	P-UB-14	80 mm	160 mm	KOM-707-99-62120	544.11
	707-01-0F940	70001-70290	High Lift	Bushing	80 mm		KOM-707-52-90560	43.95
	707-01-0F940	70291-	High Lift	P-UB-14	80 mm	160 mm	KOM-707-99-62120	544.11
	707-01-0F940	70291-	High Lift	Bushing	80 mm		KOM-707-52-90561	43.95
	707-01-0F940	A34001-	High Lift	P-UB-14	80 mm	160 mm	KOM-707-99-62120	544.11
	707-01-0F940	A34001-	High Lift	Bushing	80 mm		KOM-707-52-90561	43.95
	707-01-0F940	A35001-	High Lift	P-UB-14	80 mm	160 mm	KOM-707-99-62120	544.11
	707-01-0F940	A35001-	High Lift	Bushing	80 mm		KOM-707-52-90560	43.95
	707-01-0G220	70291-	Large Capacity	P-UB-14	90 mm	180 mm	KOM-707-99-64570	343.21
	707-01-0G220	70291-	Large Capacity	Bushing	90 mm		KOM-707-52-90681	51.59
STEERING LH	707-00-0H470	70001-70290		P-UB-14	40 mm	70 mm	KOM-707-99-14790	262.43
	707-00-0H470	70001-70290		Bushing	40 mm		KOM-707-52-90150	13.12
	707-00-0H470	70291-		P-UB-14	40 mm	70 mm	KOM-707-99-14790	262.43
	707-00-0H470	70291-		Bushing	40 mm		KOM-707-52-90151	13.12
	707-00-0H470	A34001-		P-UB-14	40 mm	70 mm	KOM-707-99-14790	262.43
	707-00-0H470	A34001-		Bushing	40 mm		KOM-707-52-90150	13.12
	707-00-0H470	A35001-		P-UB-14	40 mm	70 mm	KOM-707-99-14790	262.43
	707-00-0H470	A35001-		Bushing	40 mm		KOM-707-52-90150	13.12
STEERING RH	707-00-0H480	70001-70290		P-UB-14	40 mm	70 mm	KOM-707-99-14790	262.43
	707-00-0H480	70001-70290		Bushing	40 mm		KOM-707-52-90150	13.12
	707-00-0H480	70291-		P-UB-14	40 mm	70 mm	KOM-707-99-14790	262.43
	707-00-0H480	70291-		Bushing	40 mm		KOM-707-52-90151	13.12
	707-00-0H480	A34001-		P-UB-14	40 mm	70 mm	KOM-707-99-14790	262.43
	707-00-0H480	A34001-		Bushing	40 mm		KOM-707-52-90150	13.12
	707-00-0H480	A35001-		P-UB-14	40 mm	70 mm	KOM-707-99-14790	262.43
	707-00-0H480	A35001-		Bushing	40 mm		KOM-707-52-90150	13.12
MODEL WA320-7								
BOOM LH	707-E1-02310	A36001-		P-UB-14	75 mm	120 mm	KOM-707-99-43040	296.20
BOOM RH	707-E1-02320	A36001-		P-UB-14	75 mm	120 mm	KOM-707-99-43040	296.20
BUCKET	707-E1-02300	80001-		P-UB-14	110 mm	150 mm	KOM-707-99-59690	746.79
	707-E1-02300	A36001-		P-UB-14	110 mm	150 mm	KOM-707-99-59690	746.79
BUCKET HI-LIFT	707-G1-02930	80001-		P-UB-14	110 mm	150 mm	KOM-707-99-59690	746.79
	707-G1-02930	A36001-		P-UB-14	110 mm	150 mm	KOM-707-99-59690	746.79
LIFT LH	707-E1-02310	80001-		P-UB-14	75 mm	120 mm	KOM-707-99-43040	296.20
LIFT RH	707-E1-02320	80001-		P-UB-14	75 mm	120 mm	KOM-707-99-43040	296.20
QUICK COUPLER	707-00-02460	80001-		P-U-10	20 mm	35 mm	KOM-707-99-02050	74.78
STEERING LH	707-E0-00780	80001-		P-UB-14	40 mm	70 mm	KOM-707-99-14480	254.94
STEERING LH, Autogreasing	707-00-0H470	80001-80607		P-UB-14	40 mm	70 mm	KOM-707-99-14790	262.43
	707-E0-00780	80608-		P-UB-14	40 mm	70 mm	KOM-707-99-14480	254.94
	724-Z0-40314	80001-80607		P-UB-14	40 mm	70 mm	KOM-707-99-14790	262.43
STEERING RH	707-E0-00790	80001-		P-UB-14	40 mm	70 mm	KOM-707-99-14480	254.94
STEERING RH, Autogreasing	707-00-0H480	80001-80607		P-UB-14	40 mm	70 mm	KOM-707-99-14790	262.43

LT - Large size tire L/S - Loading Shovel SLF - Super Long Front B/H - Backhoe HD - Heavy Duty L BUCKET - Large Bucket
 K-LINK - K-type Linkage Blade LB HI-LIFT - High Lift Arm w Large Bucket HI-LIFT - High Lift Arm S HI-LIFT - Super High Lift Arm
 SU - Semi-U Dozer PAT - Power Angle Power Tilt MP - Mult-Purpose

Replacement Kits For

KOMATSU

Loaders - Wheel								
APPLICATION	CYL #	SERIAL #	Misc	CODE	ROD	BORE	KIT #	List \$
MODEL WA320-7								
STEERING RH, Autogreasing	707-E0-00790	80608-		P-UB-14	40 mm	70 mm	KOM-707-99-14480	254.94
	724-Z0-40321	80001-80607		P-UB-14	40 mm	70 mm	KOM-707-99-14790	262.43
MODEL WA320-8								
BOOM LH	707-E1-02310	A38001-		P-UB-14	75 mm	120 mm	KOM-707-99-43040	296.20
	707-E1-02310	A38001-		Bushing	75 mm		KOM-707-52-90501	15.43
BOOM RH	707-E1-02320	A38001-		P-UB-14	75 mm	120 mm	KOM-707-99-43040	296.20
	707-E1-02320	A38001-		Bushing	75 mm		KOM-707-52-90501	15.43
BUCKET	707-E1-02300	A38001-		P-UB-14	110 mm	150 mm	KOM-707-99-59690	746.79
	707-E1-02300	A38001-		Bushing	110 mm		KOM-707-52-90851	64.44
QUICK COUPLER	707-00-02460	A38001-		P-U-10	20 mm	35 mm	KOM-707-99-02050	74.78
	707-00-02460	A38001-		Bushing	20 mm		KOM-707-52-10261	5.15
STEERING LH	707-G0-01610	A38001-		P-UB-14	40 mm	70 mm	KOM-721-98-01930	232.46
	707-G0-01610	A38001-		Bushing	40 mm		KOM-707-52-90151	13.12
STEERING RH	707-G0-01620	A38001-		P-UB-14	40 mm	70 mm	KOM-721-98-01930	232.46
	707-G0-01620	A38001-		Bushing	40 mm		KOM-707-52-90151	13.12
MODEL WA320PT-5L								
BOOM LIFT	707-01-0F060	A39001-		P-UB-14	75 mm	140 mm	KOM-707-99-53170	400.67
	707-01-0F060	A39001-		Bushing	75 mm		KOM-707-52-90520	36.68
BUCKET	707-01-0G890	A39001-		P-UB-14	100 mm	200 mm	KOM-707-99-73160	834.19
	707-01-0G890	A39001-		Bushing	100 mm		KOM-707-52-90760	57.64
MULTI-COUPLER LOCK	707-00-02460	A39001-		P-U-10	20 mm	35 mm	KOM-707-00-02460K	80.37
	707-00-02460	A39001-		Bushing	20 mm		KOM-707-52-10260	5.15
STEERING	707-00-0Z680	A39001-		P-UB-14	40 mm	70 mm	KOM-707-99-14770	244.44
	707-00-0Z680	A39001-		Bushing	40 mm		KOM-707-52-90150	13.12
MODEL WA320PZ-6								
BOOM LIFT	707-01-0AH40	70001-		P-U-14	75 mm	140 mm	KOM-707-99-53270	178.34
	707-01-0AH40	70001-		Bushing	75 mm		KOM-707-52-90520	36.68
	707-01-0AH40	70452-		P-U-14	75 mm	140 mm	KOM-707-99-53270	178.34
	707-01-0AH40	70452-		Bushing	75 mm		KOM-707-52-90521	36.68
BUCKET	707-01-0AH51	70001-		P-UB-14	110 mm	180 mm	KOM-707-99-67690	399.08
	707-01-0AH51	70001-		Bushing	110 mm		KOM-707-52-90850	64.44
	707-01-0AH51	70452-		P-UB-14	110 mm	180 mm	KOM-707-99-67690	399.08
	707-01-0AH51	70452-		Bushing	110 mm		KOM-707-52-90851	64.44
MULTI-COUPLER LOCK	707-00-02460	70452-		P-U-10	20 mm	35 mm	KOM-707-00-02460K	80.37
	707-00-02460	70452-		Bushing	20 mm		KOM-707-52-10261	5.15
STEERING LH	707-00-0H470	70001-		P-UB-14	40 mm	70 mm	KOM-707-99-14790	262.43
	707-00-0H470	70001-		Bushing	40 mm		KOM-707-52-90150	13.12
	707-00-0H470	70452-		P-UB-14	40 mm	70 mm	KOM-707-99-14790	262.43
	707-00-0H470	70452-		Bushing	40 mm		KOM-707-52-90151	13.12
STEERING RH	707-00-0H480	70001-		P-UB-14	40 mm	70 mm	KOM-707-99-14790	262.43
	707-00-0H480	70001-		Bushing	40 mm		KOM-707-52-90150	13.12
	707-00-0H480	70452-		P-UB-14	40 mm	70 mm	KOM-707-99-14790	262.43
	707-00-0H480	70452-		Bushing	40 mm		KOM-707-52-90151	13.12
MODEL WA380-1								
DUMP	707-01-03700	20001-		P-U-14	90 mm	180 mm	KOM-707-99-64400	500.04
	707-01-18082	10001-19999		P-U-14	90 mm	180 mm	KOM-707-99-64400	500.04
	707-01-18082	10001-19999		Bushing	90 mm		KOM-07177-09035	55.30
LIFT	707-01-01080	20001-		P-U-14	90 mm	160 mm	KOM-707-99-64010	331.15
	707-01-16280	10001-19999		P-U-14	90 mm	160 mm	KOM-707-99-64010	331.15
STEERING	707-00-01800	20001-		P-U-14	45 mm	80 mm	KOM-707-99-24120	185.67
	707-00-80021	10001-19999		P-U-14	45 mm	80 mm	KOM-707-99-24110	191.73
MODEL WA380-3								
DUMP	707-01-03290	50001-		P-U-14	90 mm	180 mm	KOM-707-99-64410	343.95
	707-01-03290	50001-		Bushing	90 mm		KOM-707-52-10910	62.58
	707-01-03290	A50001-		P-U-14	90 mm	180 mm	KOM-707-99-64410	343.95

LT - Large size tire L/S - Loading Shovel SLF - Super Long Front B/H - Backhoe HD - Heavy Duty L BUCKET - Large Bucket
 K-LINK - K-type Linkage Blade LB HI-LIFT - High Lift Arm w Large Bucket HI-LIFT - High Lift Arm S HI-LIFT - Super High Lift Arm
 SU - Semi-U Dozer PAT - Power Angle Power Tilt MP - Multi-Purpose

**FORMERLY LISTED REPAIR PARTS ARE AVAILABLE ONLINE AT WWW.HERCULESUS.COM
 OR BY CONTACTING YOUR REGIONAL HERCULES SALES TEAM.**

Replacement Kits For

KOMATSU

Loaders - Wheel								
APPLICATION	CYL #	SERIAL #	Misc	CODE	ROD	BORE	KIT #	List \$
MODEL WA380-3								
DUMP	707-01-03290	A50001-		Bushing	90 mm		KOM-707-52-10910	62.58
LIFT	707-01-01080	50001-		P-UB-14	90 mm	160 mm	KOM-707-99-64040	477.88
	707-01-01080	50001-		Bushing	90 mm		KOM-07177-09035	55.30
LIFT ARM	707-01-01080	A50001-		P-UB-14	90 mm	160 mm	KOM-707-99-64040	477.88
LIFT ARM (HI-LIFT)	707-01-02210	A50001-		P-UB-14	90 mm	160 mm	KOM-707-99-64040	477.88
STEERING	707-00-01800	50001-		P-U-14	45 mm	80 mm	KOM-707-99-24120	185.67
	707-00-01800	50001-		Bushing	45 mm		KOM-07177-04530	18.54
	707-00-01800	A50001-		P-U-14	45 mm	80 mm	KOM-707-99-24120	185.67
MODEL WA380-5L								
BOOM LH	707-01-0A790	A52001-		P-UB-14	90 mm	160 mm	KOM-707-99-64080	418.38
BOOM RH	707-01-0A800	A52001-		P-UB-14	90 mm	160 mm	KOM-707-99-64080	418.38
DUMP	707-01-0A810	A52001-		P-UB-14	90 mm	180 mm	KOM-707-99-64540	479.93
DUMP (HI-LIFT)	707-01-XC990	A52001-		P-UB-14	90 mm	180 mm	KOM-707-99-64540	479.93
DUMP (Logging)	707-01-XE090	A52001-		P-UB-14	100 mm	200 mm	KOM-707-99-73160	834.19
STEERING	707-00-07F80	A52001-		P-UB-14	45 mm	90 mm	KOM-707-99-24630	311.21
MODEL WA380-6								
BOOM LIFT LH	707-01-0K160	65001-65948		P-UB-14	90 mm	130 mm	KOM-707-99-48620	263.05
	707-01-0K160	65001-65948		Bushing	90 mm		KOM-707-52-90680	51.59
	707-01-0K160	65949-		P-UB-14	90 mm	130 mm	KOM-707-99-48620	263.05
	707-01-0K160	65949-		Bushing	90 mm		KOM-707-52-90681	51.59
	707-01-0K160	A53001-		P-UB-14	90 mm	130 mm	KOM-707-99-48620	263.05
	707-01-0K160	A53001-		Bushing	90 mm		KOM-707-52-90681	51.59
	707-01-0K160	A54001-		P-UB-14	90 mm	130 mm	KOM-707-99-48620	263.05
	707-01-0K160	A54001-		Bushing	90 mm		KOM-707-52-90681	51.59
BOOM LIFT RH	707-01-0K170	65001-65948		P-UB-14	90 mm	130 mm	KOM-707-99-48620	263.05
	707-01-0K170	65001-65948		Bushing	90 mm		KOM-707-52-90680	51.59
	707-01-0K170	65949-		P-UB-14	90 mm	130 mm	KOM-707-99-48620	263.05
	707-01-0K170	65949-		Bushing	90 mm		KOM-707-52-90681	51.59
	707-01-0K170	A53001-		P-UB-14	90 mm	130 mm	KOM-707-99-48620	263.05
	707-01-0K170	A53001-		Bushing	90 mm		KOM-707-52-90681	51.59
	707-01-0K170	A54001-		P-UB-14	90 mm	130 mm	KOM-707-99-48620	263.05
	707-01-0K170	A54001-		Bushing	90 mm		KOM-707-52-90681	51.59
BUCKET	707-01-0K180	65001-65948		P-UB-14	90 mm	150 mm	KOM-707-99-56620	483.38
	707-01-0K180	65001-65948		Bushing	90 mm		KOM-707-52-90680	51.59
	707-01-0K180	65949-		P-UB-14	90 mm	150 mm	KOM-707-99-56620	483.38
	707-01-0K180	65949-		Bushing	90 mm		KOM-707-52-90681	51.59
	707-01-0K180	A53001-		P-UB-14	90 mm	150 mm	KOM-707-99-56620	483.38
	707-01-0K180	A53001-		Bushing	90 mm		KOM-707-52-90681	51.59
	707-01-0K180	A54001-		P-UB-14	90 mm	150 mm	KOM-707-99-56620	483.38
	707-01-0K180	A54001-		Bushing	90 mm		KOM-707-52-90681	51.59
	707-01-0L400	65001-65948	Large Bucket	P-UB-14	100 mm	160 mm	KOM-707-99-66380	399.83
	707-01-0L400	65001-65948	Large Bucket	Bushing	100 mm		KOM-707-52-90780	58.59
	707-01-0L400	65949-	Large Bucket	P-UB-14	100 mm	160 mm	KOM-707-99-66380	399.83
	707-01-0L400	65949-	Large Bucket	Bushing	100 mm		KOM-707-52-90781	58.59
	707-01-0L400	A53001-	Large Bucket	P-UB-14	100 mm	160 mm	KOM-707-99-66380	399.83
	707-01-0L400	A53001-	Large Bucket	Bushing	100 mm		KOM-707-52-90781	58.59
	707-01-0L400	A54001-	Large Bucket	P-UB-14	100 mm	160 mm	KOM-707-99-66380	399.83
	707-01-0L400	A54001-	Large Bucket	Bushing	100 mm		KOM-707-52-90781	58.59
	707-01-0L840	65001-65948	High Lift	P-UB-14	90 mm	150 mm	KOM-707-99-56620	483.38
	707-01-0L840	65001-65948	High Lift	Bushing	90 mm		KOM-707-52-90680	51.59
	707-01-0L840	65949-	High Lift	P-UB-14	90 mm	150 mm	KOM-707-99-56620	483.38
	707-01-0L840	65949-	High Lift	Bushing	90 mm		KOM-707-52-90681	51.59
	707-01-0L840	A53001-	High Lift	P-UB-14	90 mm	150 mm	KOM-707-99-56620	483.38
	707-01-0L840	A53001-	High Lift	Bushing	90 mm		KOM-707-52-90681	51.59
	707-01-0L840	A54001-	High Lift	P-UB-14	90 mm	150 mm	KOM-707-99-56620	483.38

LT - Large size tire L/S - Loading Shovel SLF - Super Long Front B/H - Backhoe HD - Heavy Duty L BUCKET - Large Bucket
 K-LINK - K-type Linkage Blade LB HI-LIFT - High Lift Arm w Large Bucket HI-LIFT - High Lift Arm S HI-LIFT - Super High Lift Arm
 SU - Semi-U Dozer PAT - Power Angle Power Tilt MP - Multi-Purpose

KOMATSU

Replacement Kits For

Loaders - Wheel								
APPLICATION	CYL #	SERIAL #	Misc	CODE	ROD	BORE	KIT #	List \$
MODEL WA380-6								
BUCKET	707-01-0L840	A54001-	High Lift	Bushing	90 mm		KOM-707-52-90681	51.59
LOCK MULTI-COUPLER	707-04-50190	A54001-		P-U-10	25 mm	50 mm	KOM-707-99-03420	96.27
	707-04-50190	A54001-		Bushing	25 mm		KOM-07177-02525	7.67
STEERING	707-00-0F510	A53001-		P-UB-14	45 mm	75 mm	KOM-707-98-23880	262.76
	707-00-0F510	A53001-		Bushing	45 mm		KOM-707-52-90220	13.12
	707-00-0F510	A54001-		P-UB-14	45 mm	75 mm	KOM-707-98-23880	262.76
	707-00-0F510	A54001-		Bushing	45 mm		KOM-707-52-90220	13.12
	707-00-0G780	65056-65948		P-UB-14	45 mm	75 mm	KOM-707-99-15810	294.66
	707-00-0G780	65056-65948		Bushing	45 mm		KOM-707-52-90220	13.12
	707-00-0G780	65949-		P-UB-14	45 mm	75 mm	KOM-707-99-15810	294.66
	707-00-0G780	65949-		Bushing	45 mm		KOM-707-52-90221	13.12
	707-00-0Y200	65001-65055		P-UB-14	45 mm	75 mm	KOM-707-98-23880	262.76
	707-00-0Y200	65001-65055		Bushing	45 mm		KOM-707-52-90220	13.12
MODEL WA380-7								
BOOM LIFT LH	707-E1-00920	10001-		P-UB-14	90 mm	130 mm	KOM-707-99-48630	387.64
	707-E1-00920	10001-		Bushing	90 mm		KOM-707-52-90681	51.59
	707-E1-00920	A64001-		P-UB-14	90 mm	130 mm	KOM-707-99-48630	387.64
	707-E1-00920	A64001-		Bushing	90 mm		KOM-707-52-90681	51.59
BOOM LIFT RH	707-E1-00930	10001-		P-UB-14	90 mm	130 mm	KOM-707-99-48630	387.64
	707-E1-00930	10001-		Bushing	90 mm		KOM-707-52-90681	51.59
	707-E1-00930	A64001-		P-UB-14	90 mm	130 mm	KOM-707-99-48630	387.64
	707-E1-00930	A64001-		Bushing	90 mm		KOM-707-52-90681	51.59
BUCKET	707-E1-00950	10001-	Large Bucket	P-UB-14	90 mm	150 mm	KOM-707-99-56730	592.54
	707-E1-00950	10001-	Large Bucket	Bushing	90 mm		KOM-707-52-90681	51.59
	707-E1-00950	A64001-		P-UB-14	90 mm	150 mm	KOM-707-99-56730	592.54
	707-E1-00950	A64001-		Bushing	90 mm		KOM-707-52-90681	51.59
STEERING	707-E0-00220	10001-		P-UB-14	45 mm	75 mm	KOM-707-99-15760	245.14
	707-E0-00220	10001-		Bushing	45 mm		KOM-707-52-90221	13.12
	707-E0-00220	A64001-		P-UB-14	45 mm	75 mm	KOM-707-99-15760	245.14
	707-E0-00220	A64001-		Bushing	45 mm		KOM-707-52-90221	13.12
MODEL WA380-8								
BOOM LH	707-E1-00920	A74001-		P-UB-14	90 mm	130 mm	KOM-707-99-48630	387.64
	707-E1-00920	A74001-		Bushing	90 mm		KOM-707-52-90681	51.59
BOOM RH	707-E1-00930	A74001-		P-UB-14	90 mm	130 mm	KOM-707-99-48630	387.64
	707-E1-00930	A74001-		Bushing	90 mm		KOM-707-52-90681	51.59
BUCKET	707-E1-00890	15001-	Large Dia	P-UB-14	100 mm	160 mm	KOM-707-99-66160	669.22
	707-E1-00890	15001-	Large Dia	Bushing	100 mm		KOM-707-52-90781	58.59
	707-E1-00950	15001-; A74001-		P-UB-14	90 mm	150 mm	KOM-707-99-56750	756.22
	707-E1-00950	15001-; A74001-		Bushing	90 mm		KOM-707-52-90681	51.59
BUCKET (HI-LIFT)	707-E1-00790	15001-		P-UB-14	90 mm	150 mm	KOM-707-99-56750	756.22
	707-E1-00790	15001-		Bushing	90 mm		KOM-707-52-90681	51.59
LIFT LH	707-E1-00920	15001-		P-UB-14	90 mm	130 mm	KOM-707-99-48630	387.64
	707-E1-00920	15001-		Bushing	90 mm		KOM-707-52-90681	51.59
LIFT RH	707-E1-00930	15001-		P-UB-14	90 mm	130 mm	KOM-707-99-48630	387.64
	707-E1-00930	15001-		Bushing	90 mm		KOM-707-52-90681	51.59
STEERING	707-G0-01910	15001-; A74001-		P-UB-14	45 mm	75 mm	KOM-721-98-01030	269.53
	707-G0-01910	15001-; A74001-		Bushing	45 mm		KOM-707-52-90221	13.12
MODEL WA420-1								
DUMP	707-01-01270	20001-		P-U-14	100 mm	200 mm	KOM-707-99-73010	317.63
	707-01-20083	10001-19999		P-U-14	100 mm	200 mm	KOM-707-99-73010	317.63
LIFT	707-01-01070	20001-		P-U-14	90 mm	160 mm	KOM-707-99-64010	331.15
	707-01-16081	10001-19999		P-U-14	100 mm	160 mm	KOM-707-99-66010	233.94
STEERING	707-00-01820	20001-		P-U-14	45 mm	90 mm	KOM-707-99-24510	119.01
	707-00-90221	10001-19999		P-U-14	45 mm	90 mm	KOM-707-99-24500	206.25

LT - Large size tire L/S - Loading Shovel SLF - Super Long Front B/H - Backhoe HD - Heavy Duty L BUCKET - Large Bucket
 K-LINK - K-type Linkage Blade LB HI-LIFT - High Lift Arm w Large Bucket HI-LIFT - High Lift Arm S HI-LIFT - Super High Lift Arm
 SU - Semi-U Dozer PAT - Power Angle Power Tilt MP - Multi-Purpose

FORMERLY LISTED REPAIR PARTS ARE AVAILABLE ONLINE AT WWW.HERCULESUS.COM
 OR BY CONTACTING YOUR REGIONAL HERCULES SALES TEAM.

Replacement Kits For

KOMATSU

Loaders - Wheel								
APPLICATION	CYL #	SERIAL #	Misc	CODE	ROD	BORE	KIT #	List \$
MODEL WA420-3								
DUMP	707-01-02570	53001-53054		P-U-14	100 mm	200 mm	KOM-707-99-73020	291.90
	707-01-02570	53001-53054		Bushing	100 mm		KOM-707-52-11010	83.66
	707-01-02571	53055-		P-UB-14	100 mm	200 mm	KOM-707-99-73140	499.16
	707-01-02571	53055-		Bushing	100 mm		KOM-707-52-90780	58.59
	707-01-03272	30001-		P-U-14	100 mm	200 mm	KOM-707-99-73020	291.90
	707-01-03272	30001-		Bushing	100 mm		KOM-707-52-11010	83.66
GRAPPLE	707-01-13260	54101-		P-U-14	70 mm	130 mm	KOM-707-99-43530	163.55
	707-01-13260	54101-		Bushing	70 mm		KOM-07177-07015	28.44
LIFT	707-01-03081	30001-		P-U-14	90 mm	160 mm	KOM-707-99-64030	465.12
	707-01-03081	30001-		Bushing	90 mm		KOM-707-52-10910	62.58
	707-01-03081	53001-53051		P-U-14	90 mm	160 mm	KOM-707-99-64030	465.12
	707-01-03081	53001-53051		Bushing	90 mm		KOM-707-52-10910	62.58
	707-01-03082	53052-		P-UB-14	90 mm	160 mm	KOM-707-99-64130	522.42
	707-01-03082	53052-		Bushing	90 mm		KOM-707-52-90680	51.59
STEERING	707-00-01820	30001-		P-U-14	45 mm	90 mm	KOM-707-99-24510	119.01
	707-00-01820	30001-		Bushing	45 mm		KOM-07177-04530	18.54
	707-00-01820	53001-53045		P-U-14	45 mm	90 mm	KOM-707-99-24510	119.01
	707-00-01820	53001-53045		Bushing	45 mm		KOM-07177-04530	18.54
	707-00-01821	53046-		P-UB-14	45 mm	90 mm	KOM-707-99-24610	368.85
	707-00-01821	53046-		Bushing	45 mm		KOM-707-52-90200	23.62
	707-00-01822	54146-		P-UB-14	45 mm	90 mm	KOM-707-99-24610	368.85
	707-00-01822	54146-		Bushing	45 mm		KOM-707-52-90200	23.62
MODEL WA430-6								
BUCKET	707-01-0K830	65001-		P-UB-14	100 mm	160 mm	KOM-707-99-66380	399.83
	707-01-0K830	A14001-	Large Bucket	P-UB-14	100 mm	160 mm	KOM-707-99-66380	399.83
	707-01-0L840	65001-	Hi-Lift Bucket	P-UB-14	90 mm	150 mm	KOM-707-99-56620	483.38
	707-01-0L840	A14001-	Hi-Lift Bucket	P-UB-14	90 mm	150 mm	KOM-707-99-56620	483.38
LIFT LH	707-01-0AL40	65340-		P-UB-14	95 mm	135 mm	KOM-707-99-50740	327.36
	707-01-0AL40	A14001-		P-UB-14	95 mm	135 mm	KOM-707-99-50740	327.36
LIFT RH	707-01-0K810	65001-65339		P-UB-14	90 mm	130 mm	KOM-707-99-47860	297.43
	707-01-0AL50	65340-		P-UB-14	95 mm	135 mm	KOM-707-99-50740	327.36
STEERING	707-01-0AL50	A14001-		P-UB-14	95 mm	135 mm	KOM-707-99-50740	327.36
	707-01-0K820	65001-65339		P-UB-14	90 mm	130 mm	KOM-707-99-47860	297.43
STEERING	707-00-XX750	65001-		P-UB-14	45 mm	75 mm	KOM-707-99-15810	294.66
	707-00-XX750	A14001-		P-UB-14	45 mm	75 mm	KOM-707-99-15810	294.66
MODEL WA450-2								
DUMP	707-01-03250	A25001-		P-U-14	100 mm	200 mm	KOM-707-99-73020	291.90
	707-01-03250	A25001-		Bushing	100 mm		KOM-707-52-11010	83.66
LIFT	707-01-03050	A25001-		P-U-14	95 mm	180 mm	KOM-707-99-65400	355.71
STEERING LH	707-00-01840	A25001-		P-U-14	50 mm	100 mm	KOM-707-99-32110	178.04
	707-00-01840	A25001-		Bushing	50 mm		KOM-07177-05030	21.84
STEERING RH	707-00-01940	A25001-		P-U-14	50 mm	100 mm	KOM-707-99-32110	178.04
	707-00-01940	A25001-		Bushing	50 mm		KOM-07177-05030	21.84
MODEL WA450-3								
DUMP	707-01-03251	30001		P-U-14	100 mm	200 mm	KOM-707-99-73020	291.90
	707-01-03251	30001		Bushing	100 mm		KOM-707-52-11010	83.66
LIFT	707-01-03150	30001		P-U-14	95 mm	180 mm	KOM-707-99-65400	355.71
STEERING LH	707-00-01840	30001		P-U-14	50 mm	100 mm	KOM-707-99-32110	178.04
	707-00-01840	30001		Bushing	50 mm		KOM-07177-05030	21.84
STEERING RH	707-00-01940	30001		P-U-14	50 mm	100 mm	KOM-707-99-32110	178.04
	707-00-01940	30001		Bushing	50 mm		KOM-07177-05030	21.84
MODEL WA450-5L								
DUMP	707-01-0A270	A36001-		P-UB-14	100 mm	200 mm	KOM-707-99-73150	653.35
	707-13-20222	A36001-		P-UB-14	100 mm	200 mm	KOM-707-99-73150	653.35
DUMP (HI-LIFT)	707-01-0C390	A36001-		P-UB-14	100 mm	200 mm	KOM-707-99-73150	653.35

LT - Large size tire L/S - Loading Shovel SLF - Super Long Front B/H - Backhoe HD - Heavy Duty L BUCKET - Large Bucket
 K-LINK - K-type Linkage Blade LB HI-LIFT - High Lift Arm w Large Bucket HI-LIFT - High Lift Arm S HI-LIFT - Super High Lift Arm
 SU - Semi-U Dozer PAT - Power Angle Power Tilt MP - Multi-Purpose

KOMATSU

Replacement Kits For

Loaders - Wheel								
APPLICATION	CYL #	SERIAL #	Misc	CODE	ROD	BORE	KIT #	List \$
MODEL WA450-5L								
DUMP (HI-LIFT)	707-13-20222	A36001-		P-UB-14	100 mm	200 mm	KOM-707-99-73150	653.35
DUMP (L BUCKET)	707-01-0A691	A36001-		P-UB-14	120 mm	225 mm	KOM-707-99-75490	1127.81
	707-13-22070	A36001-		P-UB-14	120 mm	225 mm	KOM-707-99-75490	1127.81
LIFT LH	707-01-0A250	A36001-		P-UB-14	95 mm	180 mm	KOM-707-99-65420	378.66
	707-13-18231	A36001-		P-UB-14	95 mm	180 mm	KOM-707-99-65420	378.66
LIFT RH	707-01-0A260	A36001-		P-UB-14	95 mm	180 mm	KOM-707-99-65420	378.66
	707-13-18241	A36001-		P-UB-14	95 mm	180 mm	KOM-707-99-65420	378.66
STEERING LH	707-00-07D90	A36001-		P-UB-14	50 mm	100 mm	KOM-707-99-32250	371.61
	707-11-10A81	A36001-		P-UB-14	50 mm	100 mm	KOM-707-99-32250	371.61
STEERING RH	707-00-07E00	A36001-		P-UB-14	50 mm	100 mm	KOM-707-99-32250	371.61
	707-11-10A91	A36001-		P-UB-14	50 mm	100 mm	KOM-707-99-32250	371.61
MODEL WA450-6								
BUCKET	707-01-0K630	66001-		P-UB-14	100 mm	160 mm	KOM-707-99-66360	838.83
DUMP	707-13-16190	66001-		P-UB-14	100 mm	160 mm	KOM-707-99-66360	838.83
LIFT LH	707-01-0K610	66001-		P-UB-14	95 mm	140 mm	KOM-707-99-57310	567.59
	707-13-14910	66001-		P-UB-14	95 mm	140 mm	KOM-707-99-57310	567.59
LIFT RH	707-01-0K620	66001-		P-UB-14	95 mm	140 mm	KOM-707-99-57310	567.59
	707-13-14920	66001-		P-UB-14	95 mm	140 mm	KOM-707-99-57310	567.59
STEERING LH	707-00-0G760	66001-		P-UB-14	50 mm	90 mm	KOM-707-99-25710	327.15
	721-11-90750	66001-		P-UB-14	50 mm	90 mm	KOM-707-99-25710	327.15
STEERING RH	707-00-0G770	66001-		P-UB-14	50 mm	90 mm	KOM-707-99-25710	327.15
	721-11-90760	66001-		P-UB-14	50 mm	90 mm	KOM-707-99-25710	327.15
MODEL WA470-3								
DUMP	421-63-H3020	-H20942		P-UB-14	100 mm	200 mm	KOM-421-63-H0P05	825.90
	421-63-H3021	H20943-		P-UB-14	100 mm	200 mm	KOM-707-99-H0P03	825.90
	707-01-03251	50001-52999		P-U-14	100 mm	200 mm	KOM-707-99-73020	291.90
	707-01-08691	53001-		P-U-14	100 mm	200 mm	KOM-707-99-73020	291.90
DUMP (HI-LIFT)	421-V50-H021	H20942-		P-UB-14	100 mm	200 mm	KOM-707-99-H0P03	825.90
DUMP (MAGNUM)	421-V58-H021	H20942-		P-UB-14	100 mm	200 mm	KOM-707-99-H0P03	825.90
LIFT	421-63-H2020	-H20946		P-U-14	95 mm	180 mm	KOM-707-99-H0P01	729.84
	421-63-H2021	H20947-		P-UB-14	95 mm	180 mm	KOM-707-99-H0P10	792.76
	707-01-03150	50001-52999		P-U-14	95 mm	180 mm	KOM-707-99-65400	355.71
	707-01-08621	53001-		P-U-14	95 mm	180 mm	KOM-707-99-65400	355.71
STEERING	707-00-01840	50001-52999		P-U-14	50 mm	100 mm	KOM-707-99-32110	178.04
	707-00-01940	50001-52999		P-U-14	50 mm	100 mm	KOM-707-99-32110	178.04
	707-00-08741	53001-		P-U-14	50 mm	100 mm	KOM-707-99-32110	178.04
	707-00-08751	53001-		P-U-14	50 mm	100 mm	KOM-707-99-32110	178.04
STEERING LH	707-00-H1841	H20942-		P-UB-14	50 mm	100 mm	KOM-707-99-H0P11	322.28
STEERING RH	707-00-H1941	H20942-		P-UB-14	50 mm	100 mm	KOM-707-99-H0P11	322.28
MODEL WA470-5								
DUMP	707-01-0A270	70001-		P-UB-14	100 mm	200 mm	KOM-707-99-73150	653.35
DUMP (HI-LIFT)	707-01-0C390	70001-		P-UB-14	100 mm	200 mm	KOM-707-99-73150	653.35
DUMP (L BUCKET)	707-01-0A691	70001-		P-UB-14	120 mm	225 mm	KOM-707-99-75490	1127.81
LIFT LH	707-01-0A250	70001-		P-UB-14	95 mm	180 mm	KOM-707-99-65420	378.66
LIFT RH	707-01-0A260	70001-		P-UB-14	95 mm	180 mm	KOM-707-99-65420	378.66
STEERING LH	707-00-0A500	70001-		P-UB-14	50 mm	100 mm	KOM-707-99-32250	371.61
STEERING RH	707-00-0A510	70001-		P-UB-14	50 mm	100 mm	KOM-707-99-32250	371.61
MODEL WA470-6								
BOOM LH	707-01-0K611	A45001-; A46001-		P-UB-14	95 mm	140 mm	KOM-707-99-57310	567.59
	707-01-0K611	A45001-; A46001-		Bushing	95 mm		KOM-707-52-90720	53.01
	707-01-0K621	A45001-; A46001-		P-UB-14	95 mm	140 mm	KOM-707-99-57310	567.59
	707-01-0K621	A45001-; A46001-		Bushing	95 mm		KOM-707-52-90720	53.01
BUCKET	707-01-XN460	A46001-	High Lift	P-UB-14	100 mm	160 mm	KOM-707-99-66360	838.83
	707-01-XN460	A46001-	High Lift	Bushing	100 mm		KOM-707-52-90780	58.59
	707-01-XP550	A45001-; A46001-		P-UB-14	100 mm	160 mm	KOM-707-99-66360	838.83

LT - Large size tire L/S - Loading Shovel SLF - Super Long Front B/H - Backhoe HD - Heavy Duty L BUCKET - Large Bucket
 K-LINK - K-type Linkage Blade LB HI-LIFT - High Lift Arm w Large Bucket HI-LIFT - High Lift Arm S HI-LIFT - Super High Lift Arm
 SU - Semi-U Dozer PAT - Power Angle Power Tilt MP - Multi-Purpose

FORMERLY LISTED REPAIR PARTS ARE AVAILABLE ONLINE AT WWW.HERCULESUS.COM
 OR BY CONTACTING YOUR REGIONAL HERCULES SALES TEAM.

KOMATSU

Replacement Kits For

Loaders - Wheel								
APPLICATION	CYL #	SERIAL #	Misc	CODE	ROD	BORE	KIT #	List \$
MODEL WA470-6								
BUCKET	707-01-XP550	A45001-; A46001-		Bushing	100 mm		KOM-707-52-90780	58.59
STEERING LH	707-00-0G760	A45001-; A46001-		P-UB-14	50 mm	90 mm	KOM-707-99-25710	327.15
	707-00-0G760	A45001-; A46001-		Bushing	50 mm		KOM-707-52-90250	21.84
STEERING RH	707-00-0G770	A45001-; A46001-		P-UB-14	50 mm	90 mm	KOM-707-99-25710	327.15
	707-00-0G770	A45001-; A46001-		Bushing	50 mm		KOM-707-52-90250	21.84
MODEL WA470-7								
BOOM LH	707-E1-02250	A47001-		P-UB-14	95 mm	140 mm	KOM-707-99-57360	382.58
BUCKET	707-E1-02270	10001-10454		P-UB-14	100 mm	160 mm	KOM-707-99-66180	749.07
	707-E1-02270	A47001-		P-UB-14	100 mm	160 mm	KOM-707-99-66180	749.07
	707-E1-02271	10455-		P-UB-14	100 mm	160 mm	KOM-707-99-66180	749.07
BUCKET HI-LIFT	707-E1-02390	10001-10283		P-UB-14	100 mm	160 mm	KOM-707-99-66180	749.07
	707-E1-02390	10284-		P-UB-14	100 mm	160 mm	KOM-707-99-66180	749.07
	707-H1-02390	A47001-		P-UB-14	100 mm	160 mm	KOM-707-99-66180	749.07
BUCKET, Large diam. fork	707-E1-02540	10001-		P-UB-14	110 mm	180 mm	KOM-707-99-67530	1003.20
LIFT LH	707-E1-02250	10001-		P-UB-14	95 mm	140 mm	KOM-707-99-57360	382.58
LIFT RH	707-E1-02260	10001-		P-UB-14	95 mm	140 mm	KOM-707-99-57360	382.58
MODEL WA470-8								
BUCKET	707-E1-02270	100001-100015; A49001-A49074		P-UB-14	100 mm	160 mm	KOM-707-99-66180	749.07
	707-E1-02270	100001-100015; A49001-A49074		Bushing	100 mm		KOM-707-52-90781	58.59
	707-E1-02271	100016-		P-UB-14	100 mm	160 mm	KOM-707-99-66180	749.07
	707-E1-02271	100016-		Bushing	100 mm		KOM-707-52-90781	58.59
	707-E1-02540	100001-; A49001-		P-UB-14	110 mm	180 mm	KOM-707-99-67530	1003.20
	707-E1-02540	100001-; A49001-		Bushing	110 mm		KOM-707-52-90851	64.44
BUCKET (HI-LIFT)	707-E1-02390	100001-; A49001-		P-UB-14	100 mm	160 mm	KOM-707-99-66180	749.07
	707-E1-02390	100001-; A49001-		Bushing	100 mm		KOM-707-52-90781	58.59
LIFT LH	707-E1-01750	100001-		P-UB-14	95 mm	140 mm	KOM-707-99-57360	382.58
	707-E1-01750	100001-		Bushing	95 mm		KOM-707-52-90721	53.01
	707-E1-02250	100001-; A49001-		P-UB-14	95 mm	140 mm	KOM-707-99-57360	382.58
	707-E1-02250	100001-; A49001-		Bushing	95 mm		KOM-707-52-90721	53.01
LIFT RH	707-E1-01760	100001-		P-UB-14	95 mm	140 mm	KOM-707-99-57360	382.58
	707-E1-01760	100001-		Bushing	95 mm		KOM-707-52-90721	53.01
	707-E1-02260	100001-; A49001-		P-UB-14	95 mm	140 mm	KOM-707-99-57360	382.58
	707-E1-02260	100001-; A49001-		Bushing	95 mm		KOM-707-52-90721	53.01
STEERING LH	707-G0-00661	100001-; A49001-		P-UB-14	50 mm	90 mm	KOM-721-98-00730	228.12
	707-G0-00661	100001-; A49001-		Bushing	50 mm		KOM-707-52-90251	21.84
STEERING RH	707-G0-00671	100001-; A49001-		P-UB-14	50 mm	90 mm	KOM-721-98-00730	228.12
	707-G0-00671	100001-; A49001-		Bushing	50 mm		KOM-707-52-90251	21.84
MODEL WA500-1								
DUMP	707-01-22014	10001-		P-U-14	120 mm	225 mm	KOM-707-99-75400	410.33
DUMP (L BUCKET)	707-01-25010	10001-		P-U-14	140 mm	250 mm	KOM-707-99-84010	751.67
GRAPPLE	707-01-14011	10001-		P-U-14	70 mm	140 mm	KOM-707-99-52100	373.70
LIFT	707-01-20012	10001-		P-U-14	110 mm	200 mm	KOM-707-99-74010	366.01
STEERING	707-00-11011	10001-		P-U-14	55 mm	110 mm	KOM-707-99-34500	181.88
	707-00-11021	10001-		P-U-14	55 mm	110 mm	KOM-707-99-34500	181.88
MODEL WA500-3								
BOOM	707-01-03041	A70001-		P-UB-14	110 mm	200 mm	KOM-707-99-74120	379.65
DUMP	707-01-03242	50001-		P-UB-14	120 mm	225 mm	KOM-707-99-75450	847.91
	707-01-03242	50001-		Bushing	120 mm		KOM-707-52-90950	116.48
	707-01-03242	A70001-		P-UB-14	120 mm	225 mm	KOM-707-99-75450	847.91
LIFT	707-01-03041	50001-		P-UB-14	110 mm	200 mm	KOM-707-99-74120	379.65
	707-01-03041	50001-		Bushing	110 mm		KOM-707-52-90860	123.61
STEERING	707-00-03852	50001-		P-UB-14	55 mm	110 mm	KOM-707-99-34550	280.43
	707-00-03852	50001-		Bushing	55 mm		KOM-707-52-90300	26.00
	707-00-03952	50001-		P-UB-14	55 mm	110 mm	KOM-707-99-34550	280.43

LT - Large size tire L/S - Loading Shovel SLF - Super Long Front B/H - Backhoe HD - Heavy Duty L BUCKET - Large Bucket
 K-LINK - K-type Linkage Blade LB HI-LIFT - High Lift Arm w Large Bucket HI-LIFT - High Lift Arm S HI-LIFT - Super High Lift Arm
 SU - Semi-U Dozer PAT - Power Angle Power Tilt MP - Multi-Purpose

KOMATSU

Replacement Kits For

Loaders - Wheel								
APPLICATION	CYL #	SERIAL #	Misc	CODE	ROD	BORE	KIT #	List \$
MODEL WA500-3								
STEERING	707-00-03952	50001-		Bushing	55 mm		KOM-707-52-90300	26.00
STEERING LH	707-00-03852	A70001-		P-UB-14	55 mm	110 mm	KOM-707-99-34550	280.43
STEERING RH	707-00-03952	A70001-		P-UB-14	55 mm	110 mm	KOM-707-99-34550	280.43
MODEL WA500-3LE								
BOOM	707-01-03041	A70001-		P-UB-14	110 mm	200 mm	KOM-707-99-74120	379.65
DUMP	707-01-0J740	A92001-		P-UB-14	120 mm	225 mm	KOM-707-99-75450	847.91
STEERING LH	707-00-03852	A70001-		P-UB-14	55 mm	110 mm	KOM-707-99-34550	280.43
STEERING RH	707-00-03952	A70001-		P-UB-14	55 mm	110 mm	KOM-707-99-34550	280.43
MODEL WA500-6								
DUMP	707-01-0J730	A92001-		P-UB-14	120 mm	185 mm	KOM-707-99-68430	1172.78
	707-13-18970	A92001-		P-UB-14	120 mm	185 mm	KOM-707-99-68430	1172.78
DUMP (HI-LIFT)	707-01-0J740	A92001-		P-UB-14	120 mm	185 mm	KOM-707-99-68430	1172.78
	707-13-18970	A92001-		P-UB-14	120 mm	185 mm	KOM-707-99-68430	1172.78
LIFT LH	707-01-0J710	A92001-		P-UB-14	120 mm	160 mm	KOM-707-99-68420	843.70
	721-13-16110	A92001-		P-UB-14	120 mm	160 mm	KOM-707-99-68420	843.70
LIFT RH	707-01-0J710	A92001-		P-UB-14	120 mm	160 mm	KOM-707-99-68420	843.70
	721-13-16110	A92001-		P-UB-14	120 mm	160 mm	KOM-707-99-68420	843.70
STEERING LH	707-00-0G640	A92001-		P-UB-14	60 mm	100 mm	KOM-707-99-35320	516.55
	707-11-10G80	A92001-		P-UB-14	60 mm	100 mm	KOM-707-99-35320	516.55
STEERING RH	707-00-0G640	A92001-		P-UB-14	60 mm	100 mm	KOM-707-99-35320	516.55
	707-11-10G80	A92001-		P-UB-14	60 mm	100 mm	KOM-707-99-35320	516.55
MODEL WA500-7								
BOOM LH	707-E1-01310	A94001-		P-UB-14	120 mm	160 mm	KOM-707-99-67760	933.41
BUCKET	707-E1-01330	10001-		P-UB-14	120 mm	185 mm	KOM-707-99-67770	1167.89
	707-E1-01330	10001-		Bushing	120 mm		KOM-707-52-90981	98.34
	707-E1-01330	A94001-		P-UB-14	120 mm	185 mm	KOM-707-99-67770	1167.89
	707-E1-01330	A94001-		Bushing	120 mm		KOM-707-52-90981	98.34
LIFT LH	707-E1-01310	10001-		P-UB-14	120 mm	160 mm	KOM-707-99-67760	933.41
LIFT RH	707-E1-01320	10001-		P-UB-14	120 mm	160 mm	KOM-707-99-67760	933.41
STEERING LH	707-E0-00430	10001-		P-UB-14	60 mm	100 mm	KOM-707-99-35180	291.93
	707-E0-00430	10001-		Bushing	60 mm		KOM-707-52-90351	26.22
	707-E0-00430	A94001-		P-UB-14	60 mm	100 mm	KOM-707-99-35180	291.93
	707-E0-00430	A94001-		Bushing	60 mm		KOM-707-52-90351	26.22
STEERING RH	707-E0-00440	10001-		P-UB-14	60 mm	100 mm	KOM-707-99-35180	291.93
	707-E0-00440	10001-		Bushing	60 mm		KOM-707-52-90351	26.22
	707-E0-00440	A94001-		P-UB-14	60 mm	100 mm	KOM-707-99-35180	291.93
	707-E0-00440	A94001-		Bushing	60 mm		KOM-707-52-90351	26.22
MODEL WA500-8								
BUCKET	707-E1-01331	90001-; A96001-		P-UB-14	120 mm	185 mm	KOM-707-99-67770	1167.89
	707-E1-01331	90001-; A96001-		Bushing	120 mm		KOM-707-52-90981	98.34
BUCKET (HI-LIFT)	707-E1-02441	90001-; A96001-		P-UB-14	120 mm	185 mm	KOM-707-99-67770	1167.89
	707-E1-02441	90001-; A96001-		Bushing	120 mm		KOM-707-52-90981	98.34
BUCKET (L BUCKET)	707-E1-02501	90001-; A96001-		P-UB-14	140 mm	200 mm	KOM-707-99-76060	1240.78
LIFT LH	707-E1-01311	90001-; A96001-		P-UB-14	120 mm	160 mm	KOM-707-99-67760	933.41
LIFT RH	707-E1-01321	90001-; A96001-		P-UB-14	120 mm	160 mm	KOM-707-99-67760	933.41
STEERING	707-G0-1360	90001-		P-UB-14	60 mm	100 mm	KOM-707-99-35180	291.93
	707-G0-1360	90001-		Bushing	60 mm		KOM-707-52-90351	26.22
	707-G0-1360	90001-; A96001-		P-UB-14	60 mm	100 mm	KOM-721-98-01350	323.95
	707-G0-1360	90001-; A96001-		Bushing	60 mm		KOM-707-52-90351	26.22
MODEL WA600-1								
DUMP	707-01-28014	10001-10234		P-U-14	140 mm	280 mm	KOM-707-99-84400	644.41
	707-01-28014	10001-10234		Bushing	140 mm		KOM-707-52-11410	165.83
	707-01-28015	10235-11463		P-U-14	140 mm	280 mm	KOM-707-99-84400	644.41
	707-01-28015	10235-11463		Bushing	140 mm		KOM-707-52-11410	165.83
	707-01-28016	11464-		P-UB-14	140 mm	280 mm	KOM-707-99-84440	754.35

LT - Large size tire L/S - Loading Shovel SLF - Super Long Front B/H - Backhoe HD - Heavy Duty L BUCKET - Large Bucket
 K-LINK - K-type Linkage Blade LB HI-LIFT - High Lift Arm w Large Bucket HI-LIFT - High Lift Arm S HI-LIFT - Super High Lift Arm
 SU - Semi-U Dozer PAT - Power Angle Power Tilt MP - Mult-Purpose

FORMERLY LISTED REPAIR PARTS ARE AVAILABLE ONLINE AT WWW.HERCULESUS.COM
 OR BY CONTACTING YOUR REGIONAL HERCULES SALES TEAM.

Replacement Kits For

KOMATSU

Loaders - Wheel								
APPLICATION	CYL #	SERIAL #	Misc	CODE	ROD	BORE	KIT #	List \$
MODEL WA600-1								
DUMP	707-01-28016	11464-		Bushing	140 mm		KOM-707-52-91150	170.81
GRAPPLE	707-01-14011	10001-		P-U-14	70 mm	140 mm	KOM-707-99-52100	373.70
LIFT	707-01-22111	10001-		P-U-14	120 mm	225 mm	KOM-707-99-75410	405.55
	707-01-22112	11464-		P-UB-14	120 mm	225 mm	KOM-707-99-75440	521.93
STEERING	707-00-13082	11464-		P-UB-14	70 mm	130 mm	KOM-707-99-43570	443.83
	707-01-13071	10001-		P-U-14	70 mm	130 mm	KOM-707-99-43500	329.91
	707-01-13072	11464-		P-UB-14	70 mm	130 mm	KOM-707-99-43570	443.83
	707-01-13081	10001-		P-U-14	70 mm	130 mm	KOM-707-99-43500	329.91
MODEL WA600-3								
DUMP	707-01-03231	50001-		P-UB-14	140 mm	280 mm	KOM-707-99-84450	807.48
	707-01-03231	A52001-		P-UB-14	140 mm	280 mm	KOM-707-99-84450	807.48
	707-01-03232	50326-		P-UB-14	140 mm	280 mm	KOM-707-99-84470	668.40
LIFT	707-01-03030	50001-		P-UB-14	120 mm	225 mm	KOM-707-99-75450	847.91
	707-01-03030	A52001-		P-UB-14	120 mm	225 mm	KOM-707-99-75450	847.91
STEERING	707-00-03061	50001-		P-UB-14	70 mm	130 mm	KOM-707-99-43590	460.75
	707-00-03861	A52001-		P-UB-14	70 mm	130 mm	KOM-707-99-43590	460.75
MODEL WA600-3L								
DUMP	707-01-03231	A52001-		P-UB-14	140 mm	280 mm	KOM-707-99-84450	807.48
LIFT	707-01-03030	A52001-		P-UB-14	120 mm	225 mm	KOM-707-99-75450	847.91
STEERING	707-00-03861	A52001-		P-UB-14	70 mm	130 mm	KOM-707-99-43590	460.75
MODEL WA600-6								
DUMP 3850mm Link	707-01-0J620	60001-		P-UB-14	140 mm	225 mm	KOM-707-99-77630	932.52
DUMP 3990mm Link	707-01-0J020	60001-		P-UB-14	140 mm	225 mm	KOM-707-99-77630	932.52
LIFT LH	707-01-0H990	60001-		P-UB-14	140 mm	200 mm	KOM-707-99-77090	893.49
LIFT RH	707-01-0H990	60001-		P-UB-14	140 mm	200 mm	KOM-707-99-77090	893.49
STEERING LH	707-01-0J030	60001-		P-UB-14	75 mm	115 mm	KOM-707-99-44060	408.09
STEERING LH (LDT)	707-01-0J130	60001-		P-UB-14	90 mm	130 mm	KOM-707-99-47830	574.34
STEERING RH	707-01-0J040	60001-		P-UB-14	75 mm	115 mm	KOM-707-99-44060	408.09
STEERING RH (LDT)	707-01-0J140	60001-		P-UB-14	90 mm	130 mm	KOM-707-99-47830	574.34
MODEL WA700-1								
DUMP	707-01-01220	10001-		P-UB-14	170 mm	280 mm	KOM-707-99-86600	1438.95
LIFT	707-01-01020	10001-		P-UB-14	140 mm	225 mm	KOM-707-99-77600	827.31
STEERING	707-01-01320	10001-		P-UB-14	85 mm	130 mm	KOM-707-99-46620	495.72
	707-01-01420	10001-		P-UB-14	85 mm	130 mm	KOM-707-99-46620	495.72
MODEL WA700-3								
DUMP	707-01-01220	50001-		P-UB-14	170 mm	280 mm	KOM-707-99-86600	1438.95
LIFT	707-01-01020	50001-		P-UB-14	140 mm	225 mm	KOM-707-99-77600	827.31
STEERING	707-01-01320	50001-		P-UB-14	85 mm	130 mm	KOM-707-99-46620	495.72
	707-01-01420	50001-		P-UB-14	85 mm	130 mm	KOM-707-99-46620	495.72
MODEL WA800-1								
DUMP	707-01-01210	10001-		P-UB-14	180 mm	300 mm	KOM-707-99-96200	2568.20
DUMP (HI-LIFT)	707-01-02100	10001-		P-UB-14	180 mm	300 mm	KOM-707-99-96200	2568.20
LIFT	707-01-01010	10001-		P-UB-14	160 mm	260 mm	KOM-707-99-85900	1596.68
LIFT (HI-LIFT)	707-01-02090	10001-		P-UB-14	160 mm	260 mm	KOM-707-99-85900	1596.68
STEERING	707-01-16181	10001-		P-UB-14	100 mm	160 mm	KOM-707-99-66210	489.58
	707-01-16191	10001-		P-UB-14	100 mm	160 mm	KOM-707-99-66210	489.58
MODEL WA800-2								
DUMP	707-01-01210	10501-		P-UB-14	180 mm	300 mm	KOM-707-99-96200	2568.20
DUMP (HI-LIFT)	707-01-02100	10501-		P-UB-14	180 mm	300 mm	KOM-707-99-96200	2568.20
LIFT	707-01-01010	10501-		P-UB-14	160 mm	260 mm	KOM-707-99-85900	1596.68
LIFT (HI-LIFT)	707-01-02090	10501-		P-UB-14	160 mm	260 mm	KOM-707-99-85900	1596.68
STEERING	707-01-16181	10501-		P-UB-14	100 mm	160 mm	KOM-707-99-66210	489.58
	707-01-16191	10501-		P-UB-14	100 mm	160 mm	KOM-707-99-66210	489.58
MODEL WA800-3								
DUMP	707-01-03210	50001-		P-UB-14	180 mm	300 mm	KOM-707-99-96200	2568.20
LIFT	707-01-03011	50001-		P-UB-14	160 mm	260 mm	KOM-707-99-85900	1596.68

LT - Large size tire L/S - Loading Shovel SLF - Super Long Front B/H - Backhoe HD - Heavy Duty L BUCKET - Large Bucket
 K-LINK - K-type Linkage Blade LB HI-LIFT - High Lift Arm w Large Bucket HI-LIFT - High Lift Arm S HI-LIFT - Super High Lift Arm
 SU - Semi-U Dozer PAT - Power Angle Power Tilt MP - Multi-Purpose

KOMATSU

KOMATSU

Replacement Kits For

Loaders - Wheel								
APPLICATION	CYL #	SERIAL #	Misc	CODE	ROD	BORE	KIT #	List \$
MODEL WA800-3								
STEERING	707-01-16181	50001-		P-UB-14	100 mm	160 mm	KOM-707-99-66210	489.58
	707-01-16191	50001-		P-UB-14	100 mm	160 mm	KOM-707-99-66210	489.58
MODEL WA900-1								
DUMP	707-01-03210	10001-		P-UB-14	180 mm	300 mm	KOM-707-99-96200	2568.20
LIFT	707-01-01010	10001-		P-UB-14	160 mm	260 mm	KOM-707-99-85900	1596.68
STEERING	707-01-16181	10001-		P-UB-14	100 mm	160 mm	KOM-707-99-66210	489.58
	707-01-16191	10001-		P-UB-14	100 mm	160 mm	KOM-707-99-66210	489.58
MODEL WA900-3								
DUMP	707-01-03212	50001-		P-UB-14	180 mm	300 mm	KOM-707-99-96200	2568.20
LIFT	707-01-03011	50001-		P-UB-14	160 mm	260 mm	KOM-707-99-85900	1596.68
STEERING	707-01-16181	50001-		P-UB-14	100 mm	160 mm	KOM-707-99-66210	489.58
	707-01-16191	50001-		P-UB-14	100 mm	160 mm	KOM-707-99-66210	489.58
MODEL WA900-3E0								
DUMP	707-01-02492	60001-60077	High Lift	P-UB-14	180 mm	300 mm	KOM-707-99-96200	2568.20
	707-01-02492	60001-60077	High Lift	Bushing	180 mm		KOM-707-52-91550	230.02
	707-01-02492	60078-	High Lift	P-UB-14	180 mm	300 mm	KOM-707-99-96200	2568.20
	707-01-02492	60078-	High Lift	Bushing	180 mm		KOM-707-52-91551	230.02
	707-01-03212	60001-60077		P-UB-14	180 mm	300 mm	KOM-707-99-96200	2568.20
	707-01-03212	60001-60077		Bushing	180 mm		KOM-707-52-91550	230.02
	707-01-03212	60078-		P-UB-14	180 mm	300 mm	KOM-707-99-96200	2568.20
	707-01-03212	60078-		Bushing	180 mm		KOM-707-52-91551	230.02
LIFT	707-01-02091	60001-60077	High Lift	P-UB-14	160 mm	260 mm	KOM-707-99-85900	1596.68
	707-01-02091	60001-60077	High Lift	Bushing	160 mm		KOM-707-52-11610	168.91
	707-01-02091	60078-	High Lift	P-UB-14	160 mm	260 mm	KOM-707-99-85900	1596.68
	707-01-02091	60078-	High Lift	Bushing	160 mm		KOM-707-52-11611	168.91
	707-01-03011	60001-60077		P-UB-14	160 mm	260 mm	KOM-707-99-85900	1596.68
	707-01-03011	60001-60077		Bushing	160 mm		KOM-707-52-11610	168.91
	707-01-03011	60078-		P-UB-14	160 mm	260 mm	KOM-707-99-85900	1596.68
	707-01-03011	60078-		Bushing	160 mm		KOM-707-52-11611	168.91
STEERING LH	707-01-16181	60001-60077		P-UB-14	100 mm	160 mm	KOM-707-99-66210	489.58
	707-01-16181	60001-60077		Bushing	100 mm		KOM-707-52-11010	83.66
	707-01-16181	60078-		P-UB-14	100 mm	160 mm	KOM-707-99-66210	489.58
	707-01-16181	60078-		Bushing	100 mm		KOM-707-52-11011	83.66
STEERING RH	707-01-16191	60001-60077		P-UB-14	100 mm	160 mm	KOM-707-99-66210	489.58
	707-01-16191	60001-60077		Bushing	100 mm		KOM-707-52-11010	83.66
	707-01-16191	60078-		P-UB-14	100 mm	160 mm	KOM-707-99-66210	489.58
	707-01-16191	60078-		Bushing	100 mm		KOM-707-52-11011	83.66
MODEL WA900-3LC								
DUMP	707-01-02492	A50001-	High Lift	P-UB-14	180 mm	300 mm	KOM-707-99-96200	2568.20
	707-01-02492	A50001-	High Lift	Bushing	180 mm		KOM-707-52-91550	230.02
	707-01-03212	A50001-		P-UB-14	180 mm	300 mm	KOM-707-99-96200	2568.20
	707-01-03212	A50001-		Bushing	180 mm		KOM-707-52-91550	230.02
LIFT	707-01-02091	A50001-	High Lift	P-UB-14	160 mm	260 mm	KOM-707-99-85900	1596.68
	707-01-02091	A50001-	High Lift	Bushing	160 mm		KOM-707-52-11610	168.91
	707-01-03011	A50001-		P-UB-14	160 mm	260 mm	KOM-707-99-85900	1596.68
	707-01-03011	A50001-		Bushing	160 mm		KOM-707-52-11610	168.91
STEERING LH	707-01-16181	A50001-		P-UB-14	100 mm	160 mm	KOM-707-99-66210	489.58
	707-01-16181	A50001-		Bushing	100 mm		KOM-707-52-11010	83.66
STEERING RH	707-01-16191	A50001-		P-UB-14	100 mm	160 mm	KOM-707-99-66210	489.58
	707-01-16191	A50001-		Bushing	100 mm		KOM-707-52-11010	83.66
MODEL WA900L-3								
DUMP	707-01-02492	52001-	High Lift	P-UB-14	180 mm	300 mm	KOM-707-99-96200	2568.20
	707-01-02492	52001-	High Lift	Bushing	180 mm		KOM-707-52-91550	230.02
	707-01-03212	52001-		P-UB-14	180 mm	300 mm	KOM-707-99-96200	2568.20
	707-01-03212	52001-		Bushing	180 mm		KOM-707-52-91550	230.02

LT - Large size tire L/S - Loading Shovel SLF - Super Long Front B/H - Backhoe HD - Heavy Duty L BUCKET - Large Bucket
 K-LINK - K-type Linkage Blade LB HI-LIFT - High Lift Arm w Large Bucket HI-LIFT - High Lift Arm S HI-LIFT - Super High Lift Arm
 SU - Semi-U Dozer PAT - Power Angle Power Tilt MP - Mulit-Purpose

FORMERLY LISTED REPAIR PARTS ARE AVAILABLE ONLINE AT WWW.HERCULESUS.COM
 OR BY CONTACTING YOUR REGIONAL HERCULES SALES TEAM.

Replacement Kits For

KOMATSU

Loaders - Wheel								
APPLICATION	CYL #	SERIAL #	Misc	CODE	ROD	BORE	KIT #	List \$
MODEL WA900L-3								
LIFT	707-01-02091	52001-	High Lift	P-UB-14	160 mm	260 mm	KOM-707-99-85900	1596.68
	707-01-02091	52001-	High Lift	Bushing	160 mm		KOM-707-52-11610	168.91
	707-01-07580	52001-		P-UB-14	160 mm	260 mm	KOM-707-99-85900	1596.68
	707-01-07580	52001-		Bushing	160 mm		KOM-707-52-11610	168.91
STEERING LH	707-01-07610	52001-		P-UB-14	100 mm	160 mm	KOM-707-99-66210	489.58
	707-01-07610	52001-		Bushing	100 mm		KOM-707-52-11010	83.66
STEERING RH	707-01-07620	52001-		P-UB-14	100 mm	160 mm	KOM-707-99-66210	489.58
	707-01-07620	52001-		Bushing	100 mm		KOM-707-52-11010	83.66
Motor Graders								
APPLICATION	CYL #	SERIAL #	Misc	CODE	ROD	BORE	KIT #	List \$
MODEL GD200A-1								
SCARIFIER	237-63-32500	2001-		P-U-14	40 mm	80 mm	KOM-707-98-22120	200.20
MODEL GD461A-1								
ARTICULATE	23E-63-62101	10001-		P-U-10	40 mm	70 mm	KOM-707-98-14410	200.21
BLADE SHIFT	23E-63-42101	10001-		P-U-10	40 mm	60 mm	KOM-707-98-14040	187.02
DRAWBAR SHIFT	23D-63-22300	10001-		P-U-10	35 mm	60 mm	KOM-707-98-12120	140.62
STEERING	23E-63-72300	10001-		P-U-10	25 mm	60 mm	KOM-707-98-11380	127.10
MODEL GD663A-1								
STEERING	23B-63-72302	30001-		P-U-10	35 mm	50 mm	KOM-707-98-05410	147.38
MODEL GD705A-4								
BLADE LIFT	234-63-13001	31001-		P-U-14	55 mm	90 mm	KOM-707-98-26600	242.08
DRAWBAR SHIFT	234-63-23001	31001-		P-U-14	55 mm	90 mm	KOM-707-98-26600	242.08
LEANING	234-63-53002	31001-		P-U-14	45 mm	90 mm	KOM-707-98-24530	267.28
POWER TILT	234-63-28100	31001-		P-U-14	50 mm	100 mm	KOM-707-99-32010	249.40
RIPPER	234-63-25001	31001-		P-U-14	70 mm	140 mm	KOM-707-98-52100	460.72
MODEL GD825A-2								
ARTICULATE	235-63-63000	11001-		P-U-14	65 mm	120 mm	KOM-707-98-41110	377.03
BLADE SHIFT	235-63-16100	11001-		P-U-14	65 mm	100 mm	KOM-707-98-36230	221.82
BLADE SIDE SHIFT	235-63-42000	11001-		P-U-14	65 mm	100 mm	KOM-707-98-36140	168.53
DRAWBAR SHIFT	235-63-22000	11001-		P-U-14	60 mm	100 mm	KOM-707-98-35110	227.57
POWER TILT	235-63-28000	11001-		P-U-14	65 mm	120 mm	KOM-707-98-42100	287.97
RIPPER	235-63-25200	11001-		P-U-14	70 mm	140 mm	KOM-707-98-52100	460.72
STEERING	235-63-76400	11001-		P-U-14	40 mm	60 mm	KOM-707-98-14030	159.40
Off-Highway Trucks								
APPLICATION	CYL #	SERIAL #	Misc	CODE	ROD	BORE	KIT #	List \$
MODEL 830								
HOIST	EJ6695				7, 10-1/2, 13	9-1/2, 11-1/2, 14	KOM-AK4892	4395.53
STEERING				P-U-14	3	6	KOM-AK4370	585.61
SUSPENSION FRONT	EJ6895	AF050-BU		I-UB-1	14		KOM-AK4441	3018.96
SUSPENSION REAR	EH9424			I-UB-1	12		KOM-AK4446	1730.61
MODEL 830E								
STEERING	TY7272			P-U-10	3	6	KOM-AK7283	161.47
	TY9935			P-U-10	3	6	KOM-AK7283	161.47
MODEL 930								
SUSPENSION REAR	EH9424	AFE50-AN		I-UB-1	12		KOM-AK4446	1730.61
MODEL 930E-4								
HOIST		A30462-A30464; A30472; A30477- A30480; A30490- A30493; A30496		I-UB-10	7, 10-1/2, 13	9-1/2, 11-3/4, 14	KOM-AK4773	4483.91
STEERING		A30462-A30464; A30472; A30477- A30480; A30490- A30493; A30496		P-U-14	3-1/4	6-1/2	KOM-AK4307	750.10

LT - Large size tire L/S - Loading Shovel SLF - Super Long Front B/H - Backhoe HD - Heavy Duty L BUCKET - Large Bucket
 K-LINK - K-type Linkage Blade LB HI-LIFT - High Lift Arm w Large Bucket HI-LIFT - High Lift Arm S HI-LIFT - Super High Lift Arm
 SU - Semi-U Dozer PAT - Power Angle Power Tilt MP - Mult-Purpose

Replacement Kits For

KOMATSU

Off-Highway Trucks								
APPLICATION	CYL #	SERIAL #	Misc	CODE	ROD	BORE	KIT #	List \$
MODEL 930E-4								
SUSPENSION FRONT		A30462-A30464; A30472; A30477- A30480; A30490- A30493; A30496		I-UB-1	15-3/4		KOM-AK4308	4171.25
SUSPENSION REAR		A30462-A30464; A30472; A30477- A30480; A30490- A30493; A30496		I-UB-1	14		KOM-AK5239	1997.16
MODEL HD205-3								
STEERING	567-63-12600	1003-		P-U-14	40 mm	60 mm	KOM-707-98-14200	122.88
MODEL HD325-3								
STEERING	566-63-11500	1501-		P-U-14	60 mm	80 mm	KOM-707-98-27100	225.02
MODEL HD325-5								
STEERING	566-63-11500	2001-		P-U-14	60 mm	80 mm	KOM-707-98-27100	225.02
MODEL HD465-3								
STEERING	569-63-41203	2001-		P-U-14	60 mm	80 mm	KOM-707-98-27100	225.02
STEERING (LT)	569-63-41303	2001-		P-U-14	60 mm	80 mm	KOM-707-98-27100	225.02
MODEL HD785-3								
STEERING	561-63-61102	2001-		P-U-14	70 mm	110 mm	KOM-707-98-37570	276.20
MODEL HD785-5								
STEERING	561-63-61102	4001-		P-U-14	70 mm	110 mm	KOM-707-98-37570	276.20
MODEL HD985-3								
STEERING	585-63-11100	1001-		P-U-14	70 mm	110 mm	KOM-707-98-37570	276.20
	585-63-11100	1021-		P-U-14	70 mm	110 mm	KOM-707-98-37570	276.20
MODEL HD1200M-1								
TAILGATE	566-63-41001			P-U-14	75 mm	140 mm	KOM-707-98-53100	444.05
	568-63-12101			P-U-14	75 mm	140 mm	KOM-707-98-53100	444.05
Wheel Dozers								
APPLICATION	CYL #	SERIAL #	Misc	CODE	ROD	BORE	KIT #	List \$
MODEL WD600-3								
LIFT	707-01-02030	50001-		P-U-14	90 mm	160 mm	KOM-707-99-64050	233.20
	707-01-02030	50001-		Bushing	90 mm		KOM-707-52-10910	62.58
	707-01-08240	50001-		P-U-14	90 mm	160 mm	KOM-707-99-64050	233.20
	707-01-08240	50001-		Bushing	90 mm		KOM-707-52-10910	62.58
STEERING	707-01-XE630	50001-		P-UB-14	75 mm	140 mm	KOM-707-99-53160	209.76
TILT AND PITCH	707-01-02760	50001-		P-UB-14	90 mm	180 mm	KOM-707-99-64520	274.36
	707-01-08310	50001-		P-UB-14	90 mm	180 mm	KOM-707-99-64520	274.36

LT - Large size tire L/S - Loading Shovel SLF - Super Long Front B/H - Backhoe HD - Heavy Duty L BUCKET - Large Bucket
 K-LINK - K-type Linkage Blade LB HI-LIFT - High Lift Arm w Large Bucket HI-LIFT - High Lift Arm S HI-LIFT - Super High Lift Arm
 SU - Semi-U Dozer PAT - Power Angle Power Tilt MP - Mult-Purpose

FORMERLY LISTED REPAIR PARTS ARE AVAILABLE ONLINE AT WWW.HERCULESUS.COM
 OR BY CONTACTING YOUR REGIONAL HERCULES SALES TEAM.

REPLACEMENT KITS FOR KOMATSU CONSTRUCTION EQUIPMENT

KOMATSU

Kit Number	Code (Pg. xiv)	Rod X Bore Size	List Price	Kit Number	Code (Pg. xiv)	Rod X Bore Size	List Price
KOM-101-63-02010K	P-U-14	35 X 70 mm	\$ 60.36	KOM-21P-63-K1821K	P-UB-14	75 X 110 mm	\$202.90
KOM-101-63-02030K	P-U-14	35 X 70 mm	60.36	KOM-21P-63-K3600K	P-UB-12	70 X 105 mm	273.94
KOM-101-63-02040K	P-U-10	40 X 80 mm	67.41	KOM-21S-63-02050K	P-U-10	25 X 50 mm	121.43
KOM-101-63-02130K	P-U-14	35 X 70 mm	70.59	KOM-21S-63-02131K	P-U-10	25 X 50 mm	170.46
KOM-101-63-02140K	P-U-14	35 X 70 mm	70.59	KOM-21W-63-02220K	P-U-14	60 X 100 mm	108.85
KOM-10G-63-02010K	P-U-10	35 X 50 mm	115.72	KOM-21W-63-02221K	P-U-14	60 X 100 mm	108.85
KOM-10G-63-02020K	P-U-10	35 X 50 mm	115.72	KOM-2938-6C-1290	P-UB-14	50 X 90 mm	152.59
KOM-114-63-05030	P-U-14	40 X 90 mm	166.37	KOM-2938-6C-1480	P-UB-14	45 X 70 mm	125.91
KOM-12F-63-05020	P-U-14	45 X 70 mm	154.77	KOM-418-62-05000	P-U-14	70 X 130 mm	131.87
KOM-12F-63-05060	P-U-14	50 X 100 mm	257.67	KOM-418-63-05000	P-U-14	75 X 150 mm	232.66
KOM-130-63-05020	P-U-5	55 X 90 mm	214.83	KOM-419-63-H0P12	P-U-14	40 X 70 mm	236.55
KOM-131-63-05020	P-U-5	65 X 130 mm	358.44	KOM-421-63-H0P05	P-UB-14	100 X 200 mm	825.90
KOM-131-63-05040	P-U-5	65 X 140 mm	553.20	KOM-423-63-H2P07	P-U-14	90 X 160 mm	194.45
KOM-135-63-05020	P-U-14	65 X 140 mm	464.59	KOM-423-63-H3P07	P-U-14	90 X 180 mm	261.03
KOM-135-63-05060	P-U-14	70 X 150 mm	318.50	KOM-42N-6C-13330	P-UB-10	40 X 70 mm	86.25
KOM-141-63-05010	P-U-14	60 X 140 mm	337.38	KOM-42N-6C-13340	P-UB-14	40 X 70 mm	117.69
KOM-141-63-05050	P-U-14	75 X 160 mm	382.78	KOM-42N-879-1980	I-SP-10	18 X 30 mm	71.22
KOM-144-60-00050K	P-U-10	65 X 110 mm	271.28	KOM-42T-63-H0P01	P-UB-10	45 X 80 mm	183.90
KOM-144-63-05020	P-N-14	65 X 110 mm	240.04	KOM-42T-63-H0P18	P-UB-14	50 X 95 mm	205.26
KOM-144-63-05050	P-U-14	65 X 110 mm	319.33	KOM-42T-63-H0P52	P-U-10	35 X 70 mm	174.20
KOM-144-63-05080	P-U-14	70 X 160 mm	293.69	KOM-42T-63-H0P61	P-U-10	50 X 95 mm	223.63
KOM-144-63-12200K	P-U-5	65 X 110 mm	393.58	KOM-42T-63-H0P70	P-U-10	50 X 85 mm	194.72
KOM-144-63-52100K	P-U-5	70 X 160 mm	552.67	KOM-42U-63-H0P12	P-U-10	35 X 70 mm	83.10
KOM-175-63-05140	P-U-14	90 X 225 mm	583.06	KOM-42U-63-H0P43	P-U-10	50 X 85 mm	300.03
KOM-195-63-05120	P-U-5,14	90 X 160 mm	456.26	KOM-42U-63-H0P56	P-U-10	50 X 95 mm	153.89
KOM-195-63-05130	P-U-5	90 X 160 mm	386.74	KOM-42U-63-H0P67	P-U-10	35 X 70 mm	87.55
KOM-205-63-02140K	P-UB-14	85 X 125 mm	310.13	KOM-569-63-41100K	P-U-14	60 X 120 mm	82.95
KOM-205-63-94100K	P-U-14	80 X 130 mm	99.41	KOM-56B-50-13002K	P-U-1	140 X 180 mm	440.27
KOM-205-63-K1360K	P-UB-14	85 X 120 mm	341.87	KOM-56B-50-13003K	P-UB-1	140 X 180 mm	668.43
KOM-205-63-K1361K	P-UB-14	85 X 120 mm	341.87	KOM-56B-50-13004K	P-UB-1	140 X 180 mm	668.43
KOM-205-63-K1370K	P-UB-14	110 X 160 mm	547.18	KOM-56B-50-13005K	P-UB-1	140 X 180 mm	668.43
KOM-206-63-K1240K	P-UB-14	95 X 135 mm	320.14	KOM-56B-50-14000K	P-U-1	140 X 180 mm	440.27
KOM-206-63-K1250K	P-UB-14	95 X 135 mm	320.14	KOM-56B-50-14001K	P-UB-1	140 X 180 mm	668.43
KOM-206-63-K1610K	P-UB-14	110 X 150 mm	383.92	KOM-56B-50-14002K	P-UB-1	140 X 180 mm	668.43
KOM-206-63-K1721K	P-UB-14	100 X 140 mm	304.60	KOM-56B-50-14003K	P-UB-1	140 X 180 mm	668.43
KOM-206-63-K1911K	P-UB-14	100 X 140 mm	468.44	KOM-56B-50-16100K	P-U-1	140 X 180 mm	440.27
KOM-206-63-K1980K	P-UB-14	100 X 140 mm	303.25	KOM-56B-50-16101K	P-UB-1	140 X 180 mm	668.43
KOM-206-63-K2120K	P-UB-14	95 X 135 mm	314.83	KOM-56B-50-16102K	P-UB-1	140 X 180 mm	668.43
KOM-206-63-K2150K	P-UB-14	120 X 185 mm	669.79	KOM-56B-50-16103K	P-UB-1	140 X 180 mm	668.43
KOM-207-63-K1230K	P-UB-14	100 X 140 mm	292.90	KOM-56B-50-16201K	P-UB-1	140 X 180 mm	668.43
KOM-209-63-07010K	P-U-14	85 X 130 mm	159.96	KOM-56B-50-16202K	P-UB-1	140 X 180 mm	668.43
KOM-20E-63-03240K	P-UB-14	70 X 105 mm	226.52	KOM-56B-50-16203K	P-UB-1	140 X 180 mm	668.43
KOM-20E-63-K2500K	P-UB-14	70 X 140 mm	180.81	KOM-56B-50-33000K	P-UB-1	160 mm	581.17
KOM-20G-63-03240K	P-UB-14	85 X 120 mm	232.84	KOM-56B-50-34000K	P-UB-1	110 X 150 mm	393.37
KOM-20G-63-K1110K	P-UB-14	100 X 160 mm	550.57	KOM-56B-50-35000K	P-UB-1	160 mm	581.17
KOM-20G-63-K1410K	P-UB-14	85 X 120 mm	222.12	KOM-56D-50-13100K	P-U-1	110 X 150 mm	157.04
KOM-20U-63-02050K	P-U-14	60 X 100 mm	105.16	KOM-56D-50-13101K	P-UB-1	110 X 150 mm	165.08
KOM-20U-63-02051K	P-U-14	60 X 100 mm	105.16	KOM-56D-50-13102K	P-UB-1	110 X 150 mm	385.34
KOM-21D-61-13160	P-UB-14	60 X 90 mm	310.43	KOM-56D-50-13103K	P-UB-1	110 X 150 mm	385.34
KOM-21D-61-14140	P-UB-14	60 X 100 mm	409.80	KOM-56D-50-14100K	P-U-1	110 X 150 mm	157.04
KOM-21P-63-03120K	P-UB-14	85 X 120 mm	234.10	KOM-56D-50-14101K	P-UB-1	110 X 150 mm	165.08
KOM-21P-63-03130K	P-UB-14	70 X 105 mm	224.95	KOM-56D-50-14102K	P-UB-1	110 X 150 mm	385.34
KOM-21P-63-03200K	P-UB-14	75 X 110 mm	152.54	KOM-56D-50-14103K	P-UB-1	110 X 150 mm	385.34
KOM-21P-63-K1611K	P-UB-14	75 X 110 mm	146.17	KOM-56D-50-26100K	P-UB-1	110 X 150 mm	385.34
KOM-21P-63-K1711K	P-UB-14	85 X 120 mm	321.84	KOM-56D-50-26200K	P-UB-1	110 X 150 mm	385.34

REPLACEMENT KITS FOR KOMATSU CONSTRUCTION EQUIPMENT

Kit Number	Code (Pg. xiv)	Rod X Bore Size	List Price	Kit Number	Code (Pg. xiv)	Rod X Bore Size	List Price
KOM-56D-50-33000K	P-UB-1	110 X 150 mm	\$ 385.34	KOM-707-98-12750	P-U-14	35 X 70 mm	\$ 60.34
KOM-56D-50-34000K	P-UB-1	110 X 150 mm	385.34	KOM-707-98-12760	P-U-14	35 X 70 mm	70.31
KOM-56D-50-35000K	P-UB-1	110 X 150 mm	385.34	KOM-707-98-13220	P-U-14	35 X 60 mm	78.91
KOM-707-00-02460K	P-U-10	20 X 35 mm	80.37	KOM-707-98-13420	P-U-14	35 X 70 mm	58.82
KOM-707-01-02670K	P-UB-14	130 X 200 mm	508.26	KOM-707-98-13610	P-U-14	35 X 70 mm	43.48
KOM-707-01-0H680K	P-UB-14	90 X 130 mm	243.88	KOM-707-98-13700	P-U-14	40 X 70 mm	195.54
KOM-707-01-0H710K	P-UB-14	90 X 130 mm	235.47	KOM-707-98-13850	P-U-14	35 X 65 mm	60.23
KOM-707-01-0H850K	P-UB-14	95 X 135 mm	289.91	KOM-707-98-13890	P-U-14	35 X 65 mm	61.78
KOM-707-01-0H920K	P-UB-14	90 X 130 mm	235.47	KOM-707-98-13960	P-U-14	35 X 55 mm	52.79
KOM-707-98-02420	P-U-10	25 X 45 mm	145.47	KOM-707-98-13990	P-U-14	35 X 55 mm	148.42
KOM-707-98-03530	P-U-10	25 X 50 mm	140.63	KOM-707-98-14030	P-U-14	40 X 60 mm	159.40
KOM-707-98-04400	P-U-10	30 X 50 mm	103.06	KOM-707-98-14040	P-U-10	40 X 60 mm	187.02
KOM-707-98-04500	P-U-10	30 X 50 mm	160.12	KOM-707-98-14200	P-U-14	40 X 60 mm	122.88
KOM-707-98-04590	P-U-14	30 X 50 mm	130.21	KOM-707-98-14240	P-U-14	40 X 60 mm	159.40
KOM-707-98-04600	P-U-14	30 X 50 mm	135.85	KOM-707-98-14350	P-U-14	40 X 65 mm	125.08
KOM-707-98-04610	P-U-14	30 X 50 mm	51.70	KOM-707-98-14410	P-U-10	40 X 70 mm	200.21
KOM-707-98-04640	P-U-14	30 X 50 mm	135.85	KOM-707-98-14430	P-U-14	40 X 70 mm	155.83
KOM-707-98-04730	P-U-14	30 X 55 mm	117.68	KOM-707-98-14600	P-U-14	40 X 70 mm	155.69
KOM-707-98-05410	P-U-10	35 X 50 mm	147.38	KOM-707-98-14610	P-U-14	40 X 70 mm	107.87
KOM-707-98-05420	P-U-10	35 X 50 mm	132.26	KOM-707-98-14700	P-U-14	40 X 70 mm	155.69
KOM-707-98-05460	P-U-10	35 X 50 mm	114.27	KOM-707-98-14710	P-U-10	40 X 70 mm	183.75
KOM-707-98-06010	P-U-1	40 mm Rod Kit	47.69	KOM-707-98-14770	P-U-14	40 X 70 mm	73.91
KOM-707-98-11020	P-U-10	30 X 60 mm	98.78	KOM-707-98-14830	P-U-14	40 X 65 mm	76.89
KOM-707-98-11070	P-U-10	30 X 60 mm	141.70	KOM-707-98-14910	P-U-14	40 X 65 mm	76.96
KOM-707-98-11090	P-U-10	30 X 60 mm	155.83	KOM-707-98-14930	P-U-14	40 X 65 mm	159.80
KOM-707-98-11310	P-U-14	30 X 60 mm	75.09	KOM-707-98-15410	P-U-10	45 X 70 mm	153.51
KOM-707-98-11350	P-U-3	30 X 60 mm	#N/A	KOM-707-98-15610	P-U-14	45 X 70 mm	143.82
KOM-707-98-11380	P-U-10	25 X 60 mm	127.10	KOM-707-98-15650	P-U-14	45 X 70 mm	155.07
KOM-707-98-12020	P-U-10	35 X 60 mm	136.85	KOM-707-98-15690	P-U-14	45 X 70 mm	79.32
KOM-707-98-12080	P-U-10	35 X 60 mm	162.69	KOM-707-98-15700	P-U-14	45 X 70 mm	162.90
KOM-707-98-12100	P-U-14	35 X 60 mm	136.57	KOM-707-98-15720	P-U-14	45 X 70 mm	228.40
KOM-707-98-12110	P-U-14	35 X 60 mm	139.42	KOM-707-98-15740	P-U-14	45 X 70 mm	79.51
KOM-707-98-12120	P-U-10	35 X 60 mm	140.62	KOM-707-98-15760	P-U-14	45 X 70 mm	86.59
KOM-707-98-12130	P-U-10	35 X 60 mm	160.34	KOM-707-98-15770	P-U-14	45 X 70 mm	86.59
KOM-707-98-12150	P-U-10	35 X 60 mm	162.22	KOM-707-98-15780	P-U-14	45 X 70 mm	64.36
KOM-707-98-12160	P-U-10	35 X 60 mm	171.02	KOM-707-98-22010	P-U-10	40 X 80 mm	154.48
KOM-707-98-12200	P-U-14	35 X 60 mm	136.57	KOM-707-98-22020	P-U-14	40 X 80 mm	92.39
KOM-707-98-12211	P-U-14	35 X 65 mm	223.25	KOM-707-98-22030	P-U-14	40 X 80 mm	217.19
KOM-707-98-12310	P-U-14	35 X 60 mm	105.54	KOM-707-98-22040	P-U-14	40 X 80 mm	200.20
KOM-707-98-12320	P-U-14	35 X 60 mm	72.54	KOM-707-98-22060	P-U-10	40 X 80 mm	166.44
KOM-707-98-12330	P-U-14	35 X 60 mm	105.54	KOM-707-98-22080	P-U-10	40 X 80 mm	206.17
KOM-707-98-12410	P-U-14	35 X 70 mm	107.87	KOM-707-98-22100	P-U-14	40 X 80 mm	207.87
KOM-707-98-12440	P-U-14	35 X 70 mm	132.76	KOM-707-98-22110	P-U-14	40 X 80 mm	190.34
KOM-707-98-12450	P-U-10	35 X 70 mm	173.19	KOM-707-98-22120	P-U-14	40 X 80 mm	200.20
KOM-707-98-12470	P-U-14	35 X 70 mm	142.18	KOM-707-98-22140	P-U-10	40 X 80 mm	80.49
KOM-707-98-12490	P-U-10	35 X 70 mm	177.51	KOM-707-98-22150	P-U-14	40 X 80 mm	102.46
KOM-707-98-12510	P-U-10	35 X 70 mm	194.45	KOM-707-98-22180	P-U-14	40 X 80 mm	99.23
KOM-707-98-12520	P-U-10	35 X 70 mm	172.22	KOM-707-98-22200	P-U-14	40 X 75 mm	227.24
KOM-707-98-12530	P-U-10	35 X 70 mm	171.02	KOM-707-98-22290	P-U-10	40 X 80 mm	78.61
KOM-707-98-12550	P-U-14	35 X 70 mm	133.05	KOM-707-98-22410	P-U-10	40 X 90 mm	174.35
KOM-707-98-12600	P-U-14	35 X 70 mm	133.24	KOM-707-98-22420	P-U-10	40 X 90 mm	174.35
KOM-707-98-12660	P-U-14	35 X 70 mm	108.35	KOM-707-98-22430	P-U-14	40 X 90 mm	179.28
KOM-707-98-12670	P-U-14	40 X 70 mm	107.87	KOM-707-98-22500	P-U-14	40 X 90 mm	178.17
KOM-707-98-12700	P-U-10	35 X 70 mm	162.74	KOM-707-98-22820	P-U-14	40 X 75 mm	80.16
KOM-707-98-12740	P-U-14	35 X 70 mm	71.94	KOM-707-98-22850	P-U-14	40 X 75 mm	71.18

FORMERLY LISTED REPAIR PARTS ARE AVAILABLE ONLINE AT WWW.HERCULESUS.COM
OR BY CONTACTING YOUR REGIONAL HERCULES SALES TEAM.

REPLACEMENT KITS FOR KOMATSU CONSTRUCTION EQUIPMENT

KOMATSU

Kit Number	Code (Pg. xiv)	Rod X Bore Size	List Price
KOM-707-98-22890	P-U-14	40 X 75 mm	\$100.04
KOM-707-98-22910	P-U-14	40 X 85 mm	123.94
KOM-707-98-23030	P-U-10	40 X 80 mm	121.60
KOM-707-98-23070	P-U-10	40 X 80 mm	#N/A
KOM-707-98-23100	P-U-14	40 X 80 mm	80.70
KOM-707-98-23130	P-U-14	40 X 80 mm	163.07
KOM-707-98-23810	P-U-14	45 X 75 mm	109.59
KOM-707-98-23860	P-U-14	45 X 75 mm	105.12
KOM-707-98-23870	P-U-14	45 X 75 mm	109.68
KOM-707-98-23880	P-UB-14	45 X 75 mm	262.76
KOM-707-98-23890	P-U-14	45 X 75 mm	100.92
KOM-707-98-24040	P-U-14	45 X 80 mm	203.18
KOM-707-98-24050	P-U-5	45 X 80 mm	192.19
KOM-707-98-24060	P-U-10	45 X 80 mm	194.18
KOM-707-98-24070	P-U-10	45 X 80 mm	78.87
KOM-707-98-24150	P-U-14	45 X 80 mm	195.06
KOM-707-98-24170	P-U-14	45 X 80 mm	104.08
KOM-707-98-24210	P-UB-14	45 X 75 mm	298.47
KOM-707-98-24281	P-U-14	45 X 80 mm	#N/A
KOM-707-98-24330	P-U-14	45 X 80 mm	116.21
KOM-707-98-24430	P-U-14	45 X 90 mm	246.71
KOM-707-98-24500	P-U-14	45 X 90 mm	183.43
KOM-707-98-24510	P-U-14	45 X 85 mm	205.14
KOM-707-98-24520	P-U-14	45 X 90 mm	183.70
KOM-707-98-24530	P-U-14	45 X 90 mm	267.28
KOM-707-98-24550	P-U-14	45 X 90 mm	118.16
KOM-707-98-24600	P-U-14	45 X 90 mm	272.02
KOM-707-98-24610	P-U-14	45 X 95 mm	95.19
KOM-707-98-24700	P-U-14	45 X 90 mm	82.24
KOM-707-98-24710	P-U-14	45 X 90 mm	66.86
KOM-707-98-24720	P-U-14	45 X 90 mm	69.56
KOM-707-98-24770	P-U-14	45 X 95 mm	95.27
KOM-707-98-24800	P-U-14	45 X 90 mm	93.70
KOM-707-98-24820	P-U-14	45 X 75 mm	106.26
KOM-707-98-24830	P-U-14	45 X 75 mm	92.80
KOM-707-98-24890	P-U-14	45 X 75 mm	274.00
KOM-707-98-24910	P-U-14	45 X 85 mm	112.29
KOM-707-98-24920	P-U-14	45 X 85 mm	207.61
KOM-707-98-24930	P-U-14	45 X 85 mm	125.98
KOM-707-98-25030	P-U-14	50 X 80 mm	212.75
KOM-707-98-25040	P-U-14	50 X 80 mm	286.30
KOM-707-98-25050	P-U-5	50 X 80 mm	201.35
KOM-707-98-25060	P-U-5	50 X 80 mm	282.88
KOM-707-98-25070	P-U-14	50 X 80 mm	216.75
KOM-707-98-25090	P-U-14	50 X 80 mm	130.48
KOM-707-98-25110	P-UB-14	50 X 80 mm	105.32
KOM-707-98-25170	P-U-14	50 X 80 mm	291.64
KOM-707-98-25250	P-U-14	50 X 80 mm	144.25
KOM-707-98-25350	P-U-14	50 X 80 mm	144.41
KOM-707-98-25430	P-U-14	50 X 90 mm	240.14
KOM-707-98-25500	P-U-14	50 X 90 mm	259.81
KOM-707-98-25510	P-U-14	50 X 90 mm	288.11
KOM-707-98-25520	P-UB-14	50 X 90 mm	272.51
KOM-707-98-25560	P-U-14	50 X 90 mm	132.13
KOM-707-98-25600	P-U-14	50 X 90 mm	216.95

Kit Number	Code (Pg. xiv)	Rod X Bore Size	List Price
KOM-707-98-25610	P-U-14	50 X 95 mm	\$216.29
KOM-707-98-25620	P-U-14	50 X 90 mm	137.86
KOM-707-98-25700	P-U-14	50 X 90 mm	132.26
KOM-707-98-25710	P-U-14	50 X 90 mm	124.97
KOM-707-98-25750	P-U-14	50 X 90 mm	132.29
KOM-707-98-25760	P-U-14	50 X 90 mm	144.07
KOM-707-98-25780	P-U-14	50 X 90 mm	107.46
KOM-707-98-25820	P-U-14	50 X 85 mm	168.86
KOM-707-98-25830	P-U-14	50 X 85 mm	168.67
KOM-707-98-25870	P-U-14	50 X 85 mm	168.97
KOM-707-98-25910	P-U-14	50 X 75 mm	129.61
KOM-707-98-25920	P-U-14	50 X 75 mm	88.37
KOM-707-98-25970	P-U-14	50 X 75 mm	129.86
KOM-707-98-25980	P-U-14	50 X 75 mm	136.94
KOM-707-98-26070	P-U-14	45 X 80 mm	116.96
KOM-707-98-26100	P-U-14	55 X 80 mm	160.62
KOM-707-98-26110	P-U-14	55 X 80 mm	174.68
KOM-707-98-26120	P-U-14	55 X 80 mm	177.04
KOM-707-98-26200	P-U-14	50 X 75 mm	123.86
KOM-707-98-26300	P-U-14	50 X 80 mm	144.28
KOM-707-98-26441	P-U-10	55 X 90 mm	195.12
KOM-707-98-26450	P-U-10	55 X 90 mm	415.87
KOM-707-98-26520	P-U-14	55 X 90 mm	161.86
KOM-707-98-26540	P-U-5	55 X 90 mm	154.48
KOM-707-98-26550	P-U-14	55 X 90 mm	155.51
KOM-707-98-26560	P-U-14	55 X 90 mm	270.01
KOM-707-98-26570	P-U-14	55 X 90 mm	153.89
KOM-707-98-26580	P-UB-14	55 X 90 mm	279.85
KOM-707-98-26600	P-U-5	55 X 90 mm	242.08
KOM-707-98-26620	P-U-14	55 X 90 mm	136.74
KOM-707-98-26720	P-U-14	55 X 90 mm	138.30
KOM-707-98-26721	P-U-14	55 X 90 mm	175.06
KOM-707-98-26820	P-U-14	55 X 85 mm	126.48
KOM-707-98-26900	P-U-14	55 X 85 mm	115.74
KOM-707-98-26901	P-U-14	55 X 85 mm	116.07
KOM-707-98-27100	P-U-14	60 X 80 mm	225.02
KOM-707-98-27500	P-U-14	60 X 90 mm	279.67
KOM-707-98-27600	P-UB-14	60 X 90 mm	388.25
KOM-707-98-27620	P-UB-14	60 X 90 mm	266.36
KOM-707-98-28600	P-U-14	65 X 95 mm	334.27
KOM-707-98-28640	P-U-14	65 X 95 mm	202.68
KOM-707-98-29500	P-U-14	50 X 90 mm	204.96
KOM-707-98-29510	P-U-14	50 X 90 mm	144.07
KOM-707-98-29620	P-U-14	50 X 95 mm	138.12
KOM-707-98-29630	P-U-14	50 X 95 mm	157.16
KOM-707-98-29640	P-U-14	50 X 95 mm	157.16
KOM-707-98-29650	P-U-14	50 X 95 mm	172.74
KOM-707-98-29661	P-U-14	50 X 95 mm	137.95
KOM-707-98-29670	P-U-14	50 X 95 mm	115.42
KOM-707-98-29720	P-U-14	50 X 95 mm	130.18
KOM-707-98-30550	P-U-14	45 X 95 mm	109.85
KOM-707-98-30720	P-U-14	55 X 90 mm	91.14
KOM-707-98-32050	P-U-14	50 X 100 mm	233.99
KOM-707-98-32120	P-U-14	50 X 100 mm	282.96
KOM-707-98-32550	P-U-14	50 X 110 mm	141.56

REPLACEMENT KITS FOR KOMATSU CONSTRUCTION EQUIPMENT

Kit Number	Code (Pg. xiv)	Rod X Bore Size	List Price	Kit Number	Code (Pg. xiv)	Rod X Bore Size	List Price
KOM-707-98-32570	P-U-14	50 X 110 mm	\$ 141.56	KOM-707-98-37610	P-U-14	70 X 110 mm	\$ 217.51
KOM-707-98-32810	P-UB-14	50 X 105 mm	336.13	KOM-707-98-37620	P-UB-14	70 X 105 mm	291.74
KOM-707-98-32820	P-U-14	50 X 105 mm	370.75	KOM-707-98-37670	P-UB-14	70 X 105 mm	224.85
KOM-707-98-32900	P-U-14	50 X 105 mm	153.33	KOM-707-98-37680	P-U-14	70 X 110 mm	215.08
KOM-707-98-33010	P-U-10	50 X 100 mm	91.60	KOM-707-98-37690	P-U-14	70 X 110 mm	88.85
KOM-707-98-33500	P-U-14	50 X 115 mm	140.23	KOM-707-98-38500	P-U-14	75 X 110 mm	286.87
KOM-707-98-34120	P-U-14	55 X 100 mm	187.54	KOM-707-98-38510	P-U-14	75 X 110 mm	302.16
KOM-707-98-34140	P-U-14	55 X 95 mm	147.89	KOM-707-98-38520	P-UB-14	75 X 110 mm	237.38
KOM-707-98-34160	P-U-14	55 X 100 mm	132.80	KOM-707-98-38551	P-UB-14	75 X 110 mm	481.51
KOM-707-98-34180	P-U-14	55 X 110 mm	130.11	KOM-707-98-38600	P-U-14	75 X 110 mm	319.84
KOM-707-98-34410	P-U-10	55 X 110 mm	267.36	KOM-707-98-39610	P-UB-14	80 X 115 mm	312.55
KOM-707-98-34460	P-U-14	55 X 110 mm	#N/A	KOM-707-98-39611	P-UB-14	80 X 115 mm	276.95
KOM-707-98-34520	P-U-14	55 X 110 mm	145.56	KOM-707-98-39700	P-U-14	80 X 110 mm	252.38
KOM-707-98-34560	P-U-14	55 X 110 mm	141.72	KOM-707-98-40020	P-U-14	55 X 120 mm	386.05
KOM-707-98-34580	I-U-14	55 X 110 mm	258.34	KOM-707-98-41020	P-U-10	60 X 120 mm	165.11
KOM-707-98-34590	P-U-14	55 X 110 mm	327.00	KOM-707-98-41030	P-U-14	60 X 120 mm	234.87
KOM-707-98-34640	P-U-14	55 X 110 mm	156.17	KOM-707-98-41110	P-U-14	65 X 120 mm	377.03
KOM-707-98-34670	P-U-14	55 X 115 mm	158.05	KOM-707-98-41120	P-U-14	60 X 120 mm	205.53
KOM-707-98-34750	P-U-14	55 X 115 mm	210.02	KOM-707-98-41130	P-U-14	60 X 120 mm	371.05
KOM-707-98-35100	P-U-14	60 X 100 mm	183.04	KOM-707-98-41140	P-U-14	60 X 120 mm	384.37
KOM-707-98-35110	P-U-14	60 X 100 mm	227.57	KOM-707-98-41170	P-U-14	60 X 120 mm	138.27
KOM-707-98-35130	P-U-14	60 X 100 mm	317.17	KOM-707-98-41330	P-U-14	60 X 120 mm	138.41
KOM-707-98-35181	P-U-14	60 X 100 mm	384.08	KOM-707-98-41350	P-U-14	60 X 120 mm	109.97
KOM-707-98-35310	P-U-14	60 X 100 mm	114.14	KOM-707-98-41380	P-U-14	60 X 120 mm	245.70
KOM-707-98-35340	P-UB-14	60 X 100 mm	154.05	KOM-707-98-42100	P-U-14	65 X 120 mm	287.97
KOM-707-98-35510	P-U-14	60 X 110 mm	307.43	KOM-707-98-42150	P-U-14	65 X 120 mm	122.17
KOM-707-98-35520	P-U-14	60 X 110 mm	111.53	KOM-707-98-42410	P-U-14	65 X 130 mm	432.20
KOM-707-98-36100	P-UB-14	65 X 100 mm	271.56	KOM-707-98-42420	P-U-10	65 X 130 mm	166.71
KOM-707-98-36110	P-UB-14	65 X 100 mm	203.18	KOM-707-98-42540	P-U-14	65 X 130 mm	169.40
KOM-707-98-36140	P-U-14	65 X 100 mm	168.53	KOM-707-98-42700	P-U-14	65 X 130 mm	151.66
KOM-707-98-36180	P-U-14	65 X 100 mm	264.06	KOM-707-98-42720	P-UB-14	65 X 130 mm	117.37
KOM-707-98-36200	P-UB-14	65 X 95 mm	482.54	KOM-707-98-43100	P-U-14	70 X 120 mm	401.28
KOM-707-98-36210	P-U-14	65 X 95 mm	413.26	KOM-707-98-43130	P-U-14	70 X 120 mm	264.79
KOM-707-98-36230	P-U-14	65 X 100 mm	221.82	KOM-707-98-43200	P-U-14	70 X 120 mm	155.24
KOM-707-98-36240	P-UB-14	65 X 95 mm	265.59	KOM-707-98-43210	P-U-14	70 X 120 mm	138.56
KOM-707-98-36280	P-U-14	65 X 100 mm	114.78	KOM-707-98-43260	P-U-14	70 X 120 mm	236.38
KOM-707-98-36411	P-U-10	65 X 110 mm	223.29	KOM-707-98-43290	P-U-14	70 X 125 mm	108.43
KOM-707-98-36450	P-U-14	65 X 110 mm	305.60	KOM-707-98-43510	P-U-14	70 X 130 mm	457.33
KOM-707-98-36500	P-U-14	65 X 110 mm	253.56	KOM-707-98-43530	P-U-14	70 X 130 mm	375.68
KOM-707-98-36510	P-U-14	65 X 110 mm	291.64	KOM-707-98-43620	I-U-14	70 X 130 mm	354.38
KOM-707-98-36520	P-U-14	65 X 110 mm	215.94	KOM-707-98-44120	P-U-14	75 X 120 mm	406.55
KOM-707-98-36560	P-U-14	65 X 110 mm	253.40	KOM-707-98-44200	P-U-14	75 X 120 mm	605.65
KOM-707-98-36590	P-U-14	65 X 115 mm	147.49	KOM-707-98-44310	P-UB-14	75 X 115 mm	196.62
KOM-707-98-36600	P-U-14	65 X 110 mm	130.83	KOM-707-98-45100	P-U-14	80 X 120 mm	136.49
KOM-707-98-36630	P-U-14	65 X 110 mm	119.29	KOM-707-98-45200	P-U-14	80 X 120 mm	419.92
KOM-707-98-36700	P-U-14	65 X 115 mm	148.78	KOM-707-98-45220	P-UB-14	80 X 115 mm	537.56
KOM-707-98-36740	P-U-14	65 X 115 mm	246.88	KOM-707-98-45240	P-UB-14	80 X 115 mm	236.02
KOM-707-98-37110	P-UB-14	70 X 100 mm	345.47	KOM-707-98-45250	P-UB-14	80 X 100 mm	412.52
KOM-707-98-37130	P-UB-14	70 X 100 mm	283.17	KOM-707-98-45610	P-U-14	80 X 130 mm	402.86
KOM-707-98-37300	P-U-14	70 X 105 mm	241.87	KOM-707-98-45620	P-U-14	80 X 130 mm	466.60
KOM-707-98-37500	P-U-14	70 X 110 mm	295.78	KOM-707-98-45700	P-U-14	80 X 130 mm	477.60
KOM-707-98-37510	P-U-14	70 X 110 mm	178.34	KOM-707-98-46100	P-U-14	85 X 120 mm	354.88
KOM-707-98-37570	P-U-14	70 X 110 mm	276.20	KOM-707-98-46200	P-U-14	85 X 120 mm	438.05
KOM-707-98-37580	P-U-14	70 X 110 mm	111.10	KOM-707-98-46220	P-UB-14	85 X 120 mm	206.70
KOM-707-98-37600	P-U-14	70 X 110 mm	133.40	KOM-707-98-46270	P-UB-14	85 X 120 mm	649.72

FORMERLY LISTED REPAIR PARTS ARE AVAILABLE ONLINE AT WWW.HERCULESUS.COM
OR BY CONTACTING YOUR REGIONAL HERCULES SALES TEAM.

REPLACEMENT KITS FOR KOMATSU CONSTRUCTION EQUIPMENT

KOMATSU

Kit Number	Code (Pg. xiv)	Rod X Bore Size	List Price
KOM-707-98-46280	P-UB-14	85 X 120 mm	\$ 270.20
KOM-707-98-46300	P-UB-14	85 X 120 mm	214.21
KOM-707-98-46600	P-U-14	85 X 130 mm	414.28
KOM-707-98-47500	P-U-14	90 X 130 mm	417.88
KOM-707-98-47510	P-U-14	90 X 130 mm	483.18
KOM-707-98-47600	P-U-14	90 X 130 mm	500.87
KOM-707-98-47620	P-UB-14	90 X 130 mm	592.83
KOM-707-98-47670	P-UB-14	90 X 130 mm	542.45
KOM-707-98-47680	P-U-14	90 X 130 mm	341.37
KOM-707-98-47710	P-UB-14	90 X 130 mm	316.02
KOM-707-98-47720	P-UB-14	90 X 130 mm	504.34
KOM-707-98-47730	P-UB-14	90 X 130 mm	347.96
KOM-707-98-47740	P-UB-14	90 X 130 mm	281.40
KOM-707-98-48500	P-U-14	95 X 130 mm	488.91
KOM-707-98-48510	P-U-14	95 X 130 mm	516.02
KOM-707-98-48600	P-U-14	95 X 130 mm	508.54
KOM-707-98-48610	P-UB-14	95 X 135 mm	413.17
KOM-707-98-48700	P-U-14	95 X 135 mm	410.16
KOM-707-98-50100	P-U-14	60 X 140 mm	337.38
KOM-707-98-51100	P-U-14	65 X 140 mm	378.83
KOM-707-98-51110	P-U-5	65 X 140 mm	365.09
KOM-707-98-51140	P-UB-14	65 X 140 mm	145.09
KOM-707-98-52100	P-U-14	70 X 140 mm	460.72
KOM-707-98-52110	P-U-14	70 X 140 mm	440.82
KOM-707-98-52130	P-U-14	70 X 140 mm	391.52
KOM-707-98-52140	P-U-14	70 X 140 mm	324.56
KOM-707-98-52210	P-U-14	70 X 140 mm	147.56
KOM-707-98-52220	P-U-14	70 X 140 mm	158.69
KOM-707-98-52410	P-U-14	70 X 150 mm	370.82
KOM-707-98-52420	P-U-14	70 X 150 mm	428.07
KOM-707-98-52430	P-U-14	70 X 150 mm	335.62
KOM-707-98-53100	P-U-14	75 X 140 mm	444.05
KOM-707-98-53410	P-U-14	75 X 150 mm	385.45
KOM-707-98-54500	P-U-14	80 X 150 mm	281.91
KOM-707-98-54510	P-U-14	80 X 150 mm	366.55
KOM-707-98-56210	P-UB-14	90 X 140 mm	305.98
KOM-707-98-56600	P-U-14	90 X 150 mm	335.14
KOM-707-98-56610	P-U-14	90 X 150 mm	359.07
KOM-707-98-56640	P-UB-14	90 X 150 mm	395.31
KOM-707-98-57201	P-U-14	95 X 140 mm	258.02
KOM-707-98-58200	P-U-14	100 X 140 mm	503.23
KOM-707-98-58210	P-U-14	100 X 140 mm	410.55
KOM-707-98-58230	P-U-14	100 X 140 mm	281.90
KOM-707-98-58240	P-UB-14	100 X 140 mm	326.19
KOM-707-98-60100	P-U-14	70 X 160 mm	570.61
KOM-707-98-60110	P-U-14	70 X 160 mm	293.39
KOM-707-98-60120	P-U-14	70 X 160 mm	296.41
KOM-707-98-60121	P-U-14	70 X 160 mm	293.59
KOM-707-98-61100	P-U-14	75 X 160 mm	377.53
KOM-707-98-61110	P-U-5	75 X 160 mm	455.12
KOM-707-98-62100	P-U-14	80 X 160 mm	282.35
KOM-707-98-62120	P-U-14	80 X 160 mm	339.09
KOM-707-98-62131	P-U-14	80 X 160 mm	794.54
KOM-707-98-64400	P-U-14	90 X 180 mm	193.17
KOM-707-98-64410	P-U-14	90 X 180 mm	343.13

Kit Number	Code (Pg. xiv)	Rod X Bore Size	List Price
KOM-707-98-64420	P-U-14	90 X 180 mm	\$ 347.02
KOM-707-98-64450	P-U-14	90 X 180 mm	330.99
KOM-707-98-66410	P-U-14	100 X 180 mm	661.03
KOM-707-98-67100	P-U-14	110 X 160 mm	394.05
KOM-707-98-67110	P-U-14	110 X 160 mm	482.22
KOM-707-98-68400	P-U-14	120 X 180 mm	494.83
KOM-707-98-68500	P-U-14	120 X 180 mm	470.30
KOM-707-98-71020	P-U-14	90 X 200 mm	581.67
KOM-707-98-73010	P-U-14	100 X 200 mm	504.30
KOM-707-98-73020	P-U-14	100 X 200 mm	461.78
KOM-707-98-73400	P-U-14	100 X 225 mm	512.42
KOM-707-98-74100	P-U-14	110 X 200 mm	681.29
KOM-707-98-74400	P-U-14	110 X 225	940.23
KOM-707-98-74410	P-U-14	110 X 225 mm	664.34
KOM-707-98-74420	P-U-14	110 X 225 mm	560.50
KOM-707-98-75020	P-U-14	120 X 200 mm	507.58
KOM-707-98-77210	P-UB-14	140 X 200 mm	423.04
KOM-707-98-81010	P-U-14	110 X 250 mm	695.55
KOM-707-98-84011	P-U-14	140 X 250 mm	947.18
KOM-707-98-85310	P-UB-14	170 X 250 mm	2218.23
KOM-707-99-02050	P-U-14	20 X 35 mm	74.78
KOM-707-99-03420	P-U-10	25 X 50 mm	96.27
KOM-707-99-03500	P-U-10	25 X 50 mm	146.91
KOM-707-99-04410	P-U-10	30 X 50 mm	168.43
KOM-707-99-11030	P-U-14	30 X 60 mm	135.43
KOM-707-99-11040	P-UB-14	30 X 60 mm	135.43
KOM-707-99-12420	P-U-5	35 X 70 mm	191.47
KOM-707-99-13410	P-U-5	35 X 70 mm	209.08
KOM-707-99-14200	P-U-14	40 X 70 mm	156.33
KOM-707-99-14410	P-U-10	40 X 70 mm	185.40
KOM-707-99-14460	P-U-14	40 X 70 mm	195.50
KOM-707-99-14480	P-UB-14	40 X 70 mm	254.94
KOM-707-99-14600	P-U-14	40 X 70 mm	219.10
KOM-707-99-14610	P-U-14	40 X 70 mm	131.32
KOM-707-99-14750	P-UB-14	40 X 70 mm	159.74
KOM-707-99-14760	P-U-14	40 X 70 mm	236.55
KOM-707-99-14770	P-UB-14	40 X 70 mm	244.44
KOM-707-99-14790	P-UB-14	40 X 70 mm	262.43
KOM-707-99-14930	P-UB-14	40 X 75 mm	165.85
KOM-707-99-14960	P-UB-14	40 X 75 mm	229.59
KOM-707-99-14970	P-UB-14	40 X 75 mm	184.12
KOM-707-99-14980	P-UB-14	40 X 75 mm	210.59
KOM-707-99-14990	P-UB-14	40 X 75 mm	150.80
KOM-707-99-15600	P-U-14	45 X 70 mm	227.72
KOM-707-99-15760	P-UB-14	45 X 75 mm	245.14
KOM-707-99-15770	P-UB-14	40 X 75 mm	185.70
KOM-707-99-15810	P-UB-14	45 X 75 mm	294.66
KOM-707-99-22010	P-U-14	40 X 80 mm	187.54
KOM-707-99-22100	P-U-14	40 X 80 mm	269.99
KOM-707-99-22300	P-UB-14	40 X 80 mm	186.89
KOM-707-99-22310	P-UB-14	40 X 80 mm	276.20
KOM-707-99-23010	P-U-5	40 X 80 mm	193.09
KOM-707-99-23040	P-UB-14	40 X 80 mm	188.56
KOM-707-99-23910	P-UB-14	40 X 85 mm	218.64
KOM-707-99-24100	P-U-14	45 X 80 mm	223.02

REPLACEMENT KITS FOR KOMATSU CONSTRUCTION EQUIPMENT

Kit Number	Code (Pg. xiv)	Rod X Bore Size	List Price	Kit Number	Code (Pg. xiv)	Rod X Bore Size	List Price
KOM-707-99-24110	P-U-14	45 X 80 mm	\$ 191.73	KOM-707-99-34600	P-UB-14	55 X 110 mm	\$ 158.74
KOM-707-99-24120	P-U-14	45 X 80 mm	185.67	KOM-707-99-34620	P-UB-14	55 X 110 mm	174.03
KOM-707-99-24200	P-U-14	45 X 80 mm	198.26	KOM-707-99-34630	P-UB-14	55 X 110 mm	162.82
KOM-707-99-24500	P-U-14	45 X 90 mm	206.25	KOM-707-99-35160	I-UB-14	60 X 100 mm	273.68
KOM-707-99-24510	P-U-14	45 X 90 mm	119.01	KOM-707-99-35170	P-UB-14	60 X 100 mm	93.16
KOM-707-99-24610	P-UB-14	45 X 90 mm	368.85	KOM-707-99-35180	P-UB-14	60 X 100 mm	291.93
KOM-707-99-24630	P-UB-14	45 X 90 mm	311.21	KOM-707-99-35230	P-UB-14	60 X 100 mm	419.46
KOM-707-99-24640	P-UB-14	45 X 90 mm	214.68	KOM-707-99-35300	P-UB-14	60 X 100 mm	578.03
KOM-707-99-24650	P-UB-14	45 X 90 mm	199.06	KOM-707-99-35310	P-UB-14	60 X 100 mm	613.72
KOM-707-99-24660	P-UB-14	45 X 90 mm	201.89	KOM-707-99-35320	P-UB-14	60 X 100 mm	516.55
KOM-707-99-24670	P-UB-14	45 X 90 mm	199.16	KOM-707-99-35590	P-UB-14	60 X 115 mm	137.61
KOM-707-99-24720	P-UB-14	45 X 90 mm	132.41	KOM-707-99-35720	P-UB-14	60 X 110 mm	304.02
KOM-707-99-24760	P-UB-14	45 X 90 mm	156.33	KOM-707-99-36200	P-UB-14	65 X 100 mm	392.83
KOM-707-99-24930	P-UB-14	45 X 85 mm	244.71	KOM-707-99-36210	P-UB-14	65 X 100 mm	324.29
KOM-707-99-24940	P-UB-14	60 X 85 mm	164.68	KOM-707-99-36220	P-UB-14	65 X 100 mm	442.21
KOM-707-99-25520	P-U-14	50 X 90 mm	260.53	KOM-707-99-36260	P-U-14	65 X 100 mm	323.66
KOM-707-99-25700	P-UB-14	50 X 90 mm	486.09	KOM-707-99-36270	P-U-14	65 X 100 mm	323.35
KOM-707-99-25710	P-UB-14	50 X 90 mm	327.15	KOM-707-99-36300	P-UB-14	65 X 100 mm	253.80
KOM-707-99-25720	P-UB-14	50 X 90 mm	131.83	KOM-707-99-36330	P-UB-14	65 X 100 mm	229.51
KOM-707-99-25730	P-UB-14	50 X 90 mm	247.68	KOM-707-99-36410	P-U-5	60 X 110 mm	268.98
KOM-707-99-25790	P-UB-14	65 X 95 mm	336.88	KOM-707-99-36420	P-U-14	65 X 110 mm	301.83
KOM-707-99-25870	P-UB-14	65 X 95 mm	264.81	KOM-707-99-36550	P-UB-14	65 X 110 mm	124.43
KOM-707-99-25880	P-UB-14	65 X 95 mm	223.69	KOM-707-99-36620	P-UB-14	65 X 105 mm	532.11
KOM-707-99-26410	P-U-5	55 X 90 mm	214.83	KOM-707-99-36630	P-UB-14	65 X 115 mm	495.66
KOM-707-99-26530	P-UB-14	55 X 90 mm	171.23	KOM-707-99-36680	P-UB-14	65 X 110 mm	257.89
KOM-707-99-26600	P-U-5	55 X 90 mm	302.64	KOM-707-99-36690	P-UB-14	65 X 110 mm	#N/A
KOM-707-99-26620	P-U-14	55 X 90 mm	405.49	KOM-707-99-36720	P-UB-14	65 X 110 mm	264.67
KOM-707-99-26640	P-UB-14	55 X 90 mm	470.23	KOM-707-99-36740	P-UB-14	65 X 110 mm	367.87
KOM-707-99-26730	P-UB-14	60 X 90 mm	232.24	KOM-707-99-37150	P-UB-14	70 X 105 mm	262.33
KOM-707-99-27110	P-UB-14	60 X 85 mm	247.73	KOM-707-99-37170	P-UB-14	70 X 105 mm	172.82
KOM-707-99-27120	P-UB-14	60 X 85 mm	299.65	KOM-707-99-37230	P-UB-14	70 X 105 mm	236.44
KOM-707-99-27310	P-UB-14	60 X 85 mm	243.26	KOM-707-99-37290	P-UB-14	70 X 105 mm	530.80
KOM-707-99-27320	P-UB-14	60 X 85 mm	177.51	KOM-707-99-37300	P-UB-14	70 X 105 mm	179.26
KOM-707-99-27530	P-UB-14	60 X 90 mm	239.78	KOM-707-99-37310	P-UB-14	70 X 105 mm	190.88
KOM-707-99-27600	P-U-14	60 X 90 mm	373.33	KOM-707-99-37340	P-UB-14	70 X 105 mm	191.72
KOM-707-99-27650	P-UB-14	60 X 90 mm	429.07	KOM-707-99-37500	P-U-14	70 X 110 mm	200.50
KOM-707-99-27780	P-UB-14	65 X 95 mm	177.87	KOM-707-99-37510	P-U-14	70 X 110 mm	265.54
KOM-707-99-32010	P-U-14	50 X 100 mm	249.40	KOM-707-99-37590	P-U-14	70 X 110 mm	99.20
KOM-707-99-32070	P-UB-14	50 X 100 mm	219.99	KOM-707-99-37591	P-UB-14	70 X 110 mm	154.99
KOM-707-99-32100	P-U-14	50 X 100 mm	212.82	KOM-707-99-37600	P-UB-14	70 X 110 mm	353.65
KOM-707-99-32110	P-U-14	50 X 100 mm	178.04	KOM-707-99-37610	P-UB-14	70 X 110 mm	565.08
KOM-707-99-32140	P-UB-14	50 X 100 mm	120.46	KOM-707-99-37620	P-U-14	70 X 110 mm	233.94
KOM-707-99-32190	P-UB-14	50 X 100 mm	153.88	KOM-707-99-37670	P-UB-10	70 X 110 mm	205.99
KOM-707-99-32250	P-UB-14	50 X 100 mm	371.61	KOM-707-99-37740	P-UB-14	70 X 105 mm	400.38
KOM-707-99-33010	P-U-14	50 X 100 mm	219.45	KOM-707-99-38720	P-UB-14	75 X 110 mm	544.02
KOM-707-99-34030	P-U-5	55 X 100 mm	219.27	KOM-707-99-38740	P-UB-14	75 X 110 mm	121.56
KOM-707-99-34100	P-U-14	55 X 100 mm	183.59	KOM-707-99-38760	P-UB-14	75 X 110 mm	200.25
KOM-707-99-34240	P-U-14	55 X 105 mm	204.59	KOM-707-99-38780	P-UB-14	75 X 110 mm	169.00
KOM-707-99-34250	P-UB-14	55 X 100 mm	383.85	KOM-707-99-38790	P-UB-14	75 X 110 mm	158.06
KOM-707-99-34260	P-UB-14	55 X 105 mm	237.28	KOM-707-99-38820	P-UB-14	75 X 110 mm	227.86
KOM-707-99-34300	P-UB-14	55 X 100 mm	256.44	KOM-707-99-39770	P-UB-14	75 X 110 mm	376.36
KOM-707-99-34320	P-UB-14	55 X 100 mm	366.37	KOM-707-99-39790	P-UB-14	75 X 110 mm	257.35
KOM-707-99-34500	P-U-14	55 X 110 mm	181.88	KOM-707-99-40040	P-U-14	55 X 120 mm	343.74
KOM-707-99-34510	P-U-14	55 X 110 mm	278.03	KOM-707-99-40100	P-U-5	50 X 120 mm	321.19
KOM-707-99-34550	P-UB-14	55 X 110 mm	280.43	KOM-707-99-40120	P-UB-14	55 X 120 mm	185.40

REPLACEMENT KITS FOR KOMATSU CONSTRUCTION EQUIPMENT

KOMATSU

Kit Number	Code (Pg. xiv)	Rod X Bore Size	List Price
KOM-707-99-41100	P-U-14	60 X 120 mm	\$266.93
KOM-707-99-41130	P-U-14	60 X 120 mm	101.52
KOM-707-99-41140	P-U-14	60 X 120 mm	374.34
KOM-707-99-41270	P-UB-14	60 X 120 mm	190.15
KOM-707-99-41300	P-UB-14	60 X 120 mm	526.68
KOM-707-99-41420	P-U-5	60 X 130 mm	177.69
KOM-707-99-42020	P-U-5	65 X 120 mm	336.20
KOM-707-99-42170	P-UB-14	70 X 120 mm	327.73
KOM-707-99-42220	P-UB-14	70 X 120 mm	417.22
KOM-707-99-42300	P-UB-14	70 X 125 mm	342.24
KOM-707-99-42310	P-UB-14	70 X 125 mm	447.50
KOM-707-99-42330	P-UB-14	70 X 120 mm	383.86
KOM-707-99-43010	P-U-5	70 X 120 mm	306.95
KOM-707-99-43040	P-UB-14	75 X 120 mm	296.20
KOM-707-99-43100	P-U-14	70 X 120 mm	322.88
KOM-707-99-43110	P-U-14	70 X 120 mm	384.07
KOM-707-99-43170	P-U-14	70 X 120 mm	304.50
KOM-707-99-43300	P-UB-14	70 X 120 mm	688.74
KOM-707-99-43310	P-UB-14	70 X 125 mm	322.05
KOM-707-99-43320	P-UB-14	70 X 125 mm	264.85
KOM-707-99-43390	P-UB-14	70 X 125 mm	308.01
KOM-707-99-43500	P-U-14	70 X 130 mm	329.91
KOM-707-99-43520	P-U-14	70 X 130 mm	476.44
KOM-707-99-43530	P-U-14	70 X 130 mm	163.55
KOM-707-99-43540	P-U-14	70 X 130 mm	433.77
KOM-707-99-43570	P-UB-14	70 X 130 mm	443.83
KOM-707-99-43590	P-UB-14	70 X 130 mm	460.75
KOM-707-99-43680	P-UB-14	70 X 130 mm	130.86
KOM-707-99-43690	P-UB-14	70 X 130 mm	134.23
KOM-707-99-43730	P-UB-14	70 X 130 mm	292.76
KOM-707-99-43740	P-UB-14	70 X 130 mm	311.25
KOM-707-99-44060	P-UB-14	75 X 115 mm	408.09
KOM-707-99-44200	P-UB-14	75 X 115 mm	265.95
KOM-707-99-44220	P-UB-14	75 X 115 mm	199.32
KOM-707-99-44230	P-UB-14	75 X 115 mm	199.32
KOM-707-99-44270	P-UB-14	75 X 115 mm	182.76
KOM-707-99-44280	P-UB-14	75 X 115 mm	188.57
KOM-707-99-44290	P-UB-14	75 X 115 mm	174.34
KOM-707-99-44310	P-UB-14	75 X 115 mm	418.16
KOM-707-99-44340	P-UB-14	75 X 115 mm	203.72
KOM-707-99-44380	P-UB-14	75 X 115 mm	190.95
KOM-707-99-45040	P-UB-14	80 X 115 mm	203.68
KOM-707-99-45220	P-UB-14	80 X 115 mm	266.56
KOM-707-99-45230	P-UB-14	80 X 115 mm	312.55
KOM-707-99-45250	P-UB-14	80 X 115 mm	181.61
KOM-707-99-45310	P-UB-14	80 X 120 mm	191.05
KOM-707-99-46030	P-UB-14	85 X 120 mm	229.18
KOM-707-99-46120	P-UB-14	85 X 125 mm	333.80
KOM-707-99-46130	P-UB-14	85 X 120 mm	593.50
KOM-707-99-46200	P-UB-14	85 X 120 mm	578.00
KOM-707-99-46210	P-UB-14	85 X 120 mm	581.05
KOM-707-99-46270	P-UB-14	85 X 120 mm	371.72
KOM-707-99-46290	P-UB-14	85 X 125 mm	592.30
KOM-707-99-46320	P-UB-14	85 X 120 mm	638.57
KOM-707-99-46390	P-UB-14	85 X 120 mm	178.13

Kit Number	Code (Pg. xiv)	Rod X Bore Size	List Price
KOM-707-99-46420	P-UB-14	85 X 120 mm	\$235.19
KOM-707-99-46470	P-UB-14	85 X 120 mm	168.13
KOM-707-99-46600	P-UB-14	85 X 120 mm	358.77
KOM-707-99-46620	P-UB-14	85 X 130 mm	495.72
KOM-707-99-47040	P-UB-14	85 X 125 mm	256.01
KOM-707-99-47130	P-UB-14	85 X 125 mm	256.01
KOM-707-99-47570	P-UB-14	90 X 130 mm	504.24
KOM-707-99-47600	P-UB-14	90 X 130 mm	390.55
KOM-707-99-47610	P-UB-14	90 X 130 mm	593.66
KOM-707-99-47660	P-UB-14	90 X 130 mm	408.20
KOM-707-99-47670	P-UB-14	90 X 130 mm	593.76
KOM-707-99-47730	P-UB-14	90 X 130 mm	374.24
KOM-707-99-47740	P-UB-14	90 X 130 mm	388.52
KOM-707-99-47780	P-UB-14	90 X 130 mm	361.49
KOM-707-99-47790	P-UB-14	90 X 130 mm	347.74
KOM-707-99-47800	P-UB-14	90 X 130 mm	284.48
KOM-707-99-47830	P-UB-14	90 X 130 mm	574.34
KOM-707-99-47860	P-UB-14	90 X 130 mm	297.43
KOM-707-99-47880	P-UB-14	90 X 130 mm	198.58
KOM-707-99-48610	P-UB-14	95 X 130 mm	511.52
KOM-707-99-48620	P-UB-14	90 X 130 mm	263.05
KOM-707-99-48630	P-UB-14	90 X 130 mm	387.64
KOM-707-99-48710	P-UB-14	90 X 130 mm	270.93
KOM-707-99-48740	P-UB-14	90 X 130 mm	281.63
KOM-707-99-50500	P-UB-14	95 X 135 mm	235.36
KOM-707-99-50520	P-UB-14	95 X 135 mm	263.01
KOM-707-99-50580	P-UB-14	95 X 135 mm	277.67
KOM-707-99-50620	P-UB-14	95 X 135 mm	508.26
KOM-707-99-50650	P-UB-14	95 X 135 mm	326.54
KOM-707-99-50680	P-UB-14	95 X 135 mm	253.43
KOM-707-99-50740	P-UB-14	95 X 135 mm	327.36
KOM-707-99-50780	P-UB-14	95 X 135 mm	236.30
KOM-707-99-52100	P-U-14	70 X 140 mm	373.70
KOM-707-99-52160	P-UB-14	70 X 140 mm	149.69
KOM-707-99-52170	P-UB-14	70 X 140 mm	160.77
KOM-707-99-53100	P-U-14	75 X 140 mm	285.39
KOM-707-99-53160	P-UB-14	75 X 140 mm	209.76
KOM-707-99-53170	P-UB-14	75 X 140 mm	400.67
KOM-707-99-53270	P-U-14	75 X 140 mm	178.34
KOM-707-99-53500	P-U-14	75 X 150 mm	370.46
KOM-707-99-54100	P-U-14	80 X 140 mm	289.67
KOM-707-99-54140	P-U-14	80,120 X 100,140 mm	229.45
KOM-707-99-54150	P-U-14	80,120 X 100,140 mm	351.08
KOM-707-99-55500	P-U-14	85 X 150 mm	308.90
KOM-707-99-56220	P-UB-14	90 X 140 mm	262.97
KOM-707-99-56240	P-UB-14	90 X 140 mm	255.86
KOM-707-99-56300	P-UB-14	90 X 140 mm	282.88
KOM-707-99-56310	P-U-14	90 X 140 mm	661.07
KOM-707-99-56500	P-U-14	90 X 150 mm	389.67
KOM-707-99-56510	P-UB-14	90 X 150 mm	248.37
KOM-707-99-56620	P-UB-14	90 X 150 mm	483.38
KOM-707-99-56730	P-UB-14	90 X 150 mm	592.54
KOM-707-99-57160	P-UB-14	95 X 135 mm	398.27
KOM-707-99-57180	P-UB-14	95 X 135 mm	308.44
KOM-707-99-57200	P-UB-14	95 X 135 mm	475.80

REPLACEMENT KITS FOR KOMATSU CONSTRUCTION EQUIPMENT

Kit Number	Code (Pg. xiv)	Rod X Bore Size	List Price	Kit Number	Code (Pg. xiv)	Rod X Bore Size	List Price
KOM-707-99-57250	P-UB-14	95 X 135 mm	\$ 475.80	KOM-707-99-64410	P-U-14	90 X 180 mm	\$ 343.95
KOM-707-99-57270	P-UB-14	95 X 135 mm	594.99	KOM-707-99-64450	P-U-14	90 X 180 mm	411.12
KOM-707-99-57310	P-UB-14	95 X 140 mm	567.59	KOM-707-99-64520	P-UB-14	90 X 180 mm	274.36
KOM-707-99-57360	P-UB-14	95 X 140 mm	382.58	KOM-707-99-64540	P-UB-14	90 X 180 mm	479.93
KOM-707-99-58030	P-UB-14	100 X 140 mm	348.66	KOM-707-99-64570	P-UB-14	90 X 180 mm	343.21
KOM-707-99-58050	P-UB-14	100 X 140 mm	381.81	KOM-707-99-65400	P-U-14	95 X 180 mm	355.71
KOM-707-99-58060	P-UB-14	100 X 140 mm	655.53	KOM-707-99-65420	P-UB-14	95 X 180 mm	378.66
KOM-707-99-58070	P-UB-14	100 X 140 mm	327.81	KOM-707-99-65840	P-U-14	100 X 170 mm	530.70
KOM-707-99-58080	P-UB-14	100 X 140 mm	445.77	KOM-707-99-66010	P-U-14	100 X 160 mm	233.94
KOM-707-99-58090	P-UB-14	100 X 140 mm	600.63	KOM-707-99-66180	P-UB-14	100 X 160 mm	749.07
KOM-707-99-58110	P-UB-14	100 X 140 mm	555.51	KOM-707-99-66210	P-U-14	100 X 160 mm	489.58
KOM-707-99-58200	P-UB-14	100 X 140 mm	357.22	KOM-707-99-66240	P-UB-14	100 X 160 mm	479.54
KOM-707-99-58210	P-UB-14	100 X 140 mm	605.29	KOM-707-99-66350	P-UB-14	100 X 160 mm	235.48
KOM-707-99-58240	P-UB-14	100 X 140 mm	758.82	KOM-707-99-66360	P-UB-14	100 X 160 mm	838.83
KOM-707-99-58260	P-UB-14	100 X 140 mm	218.12	KOM-707-99-66380	P-UB-14	100 X 160 mm	399.83
KOM-707-99-58300	P-UB-14	100 X 140 mm	287.62	KOM-707-99-66400	P-U-14	100 X 180 mm	461.87
KOM-707-99-58310	P-UB-14	100 X 140 mm	229.55	KOM-707-99-66600	P-UB-14	100 X 180 mm	265.17
KOM-707-99-58320	P-UB-14	100 X 140 mm	382.02	KOM-707-99-66610	P-UB-14	100 X 180 mm	235.61
KOM-707-99-58350	P-UB-14	100 X 140 mm	448.03	KOM-707-99-66660	P-UB-14	100 X 180 mm	240.46
KOM-707-99-58360	P-UB-14	100 X 140 mm	486.57	KOM-707-99-67010	P-UB-14	110 X 160 mm	649.08
KOM-707-99-58370	P-UB-14	100 X 140 mm	635.54	KOM-707-99-67070	P-UB-14	110 X 160 mm	393.48
KOM-707-99-58390	P-UB-14	100 X 140 mm	229.26	KOM-707-99-67090	P-UB-14	110 X 160 mm	636.39
KOM-707-99-59020	P-UB-14	100 X 140 mm	619.27	KOM-707-99-67110	P-UB-14	110 X 160 mm	531.90
KOM-707-99-59070	P-UB-14	100 X 140 mm	278.22	KOM-707-99-67120	P-UB-14	110 X 160 mm	561.72
KOM-707-99-59080	P-UB-14	100 X 140 mm	223.74	KOM-707-99-67121	P-UB-14	110 X 160 mm	380.81
KOM-707-99-59140	P-UB-14	100 X 140 mm	296.52	KOM-707-99-67280	P-UB-14	110 X 160 mm	507.61
KOM-707-99-59150	P-UB-14	100 X 140 mm	303.49	KOM-707-99-67290	P-UB-14	110 X 160 mm	419.06
KOM-707-99-59230	P-UB-14	100 X 140 mm	211.28	KOM-707-99-67300	P-UB-14	110 X 160 mm	687.41
KOM-707-99-59320	P-UB-14	100 X 140 mm	490.08	KOM-707-99-67310	P-UB-14	110 X 160 mm	749.07
KOM-707-99-59330	P-UB-14	100 X 140 mm	288.24	KOM-707-99-67530	P-UB-14	110 X 180 mm	1003.20
KOM-707-99-59430	P-UB-14	100 X 140 mm	268.90	KOM-707-99-67610	P-UB-14	110 X 160 mm	540.18
KOM-707-99-59550	P-UB-14	110 X 150 mm	781.29	KOM-707-99-67640	P-UB-14	110 X 180 mm	402.11
KOM-707-99-59600	P-UB-14	100 X 150 mm	362.21	KOM-707-99-67690	P-UB-14	110 X 180 mm	399.08
KOM-707-99-59610	P-UB-14	110 X 150 mm	614.81	KOM-707-99-67700	P-UB-14	110 X 180 mm	420.35
KOM-707-99-59620	P-UB-14	110 X 150 mm	819.84	KOM-707-99-67760	P-UB-14	120 X 160 mm	933.41
KOM-707-99-59680	P-UB-14	110 X 150 mm	597.26	KOM-707-99-67770	P-UB-14	120 X 185 mm	1167.89
KOM-707-99-59690	P-UB-14	110 X 150 mm	746.79	KOM-707-99-67830	P-UB-14	110 X 160 mm	347.02
KOM-707-99-59740	P-UB-14	110 X 150 mm	812.87	KOM-707-99-67840	P-UB-14	110 X 160 mm	418.24
KOM-707-99-62010	P-U-14	80 X 160 mm	339.09	KOM-707-99-67870	P-UB-14	110 X 160 mm	439.12
KOM-707-99-62020	P-U-14	80 X 160 mm	322.73	KOM-707-99-68420	P-UB-14	120 X 160 mm	843.70
KOM-707-99-62120	P-UB-14	80 X 160 mm	544.11	KOM-707-99-68430	P-UB-14	120 X 185 mm	1172.78
KOM-707-99-64010	P-U-14	90 X 160 mm	331.15	KOM-707-99-68470	P-UB-14	120 X 185 mm	885.84
KOM-707-99-64030	P-U-14	90 X 160 mm	465.12	KOM-707-99-68481	P-UB-14	120 X 185 mm	685.48
KOM-707-99-64040	P-UB-14	90 X 160 mm	477.88	KOM-707-99-68510	P-UB-14	120 X 185 mm	614.67
KOM-707-99-64050	P-U-14	90 X 160 mm	233.20	KOM-707-99-68560	P-UB-14	120 X 185 mm	1071.86
KOM-707-99-64080	P-UB-14	90 X 160 mm	418.38	KOM-707-99-68580	P-UB-14	120 X 185 mm	640.13
KOM-707-99-64120	P-UB-14	90 X 160 mm	477.88	KOM-707-99-68600	P-UB-14	120 X 180 mm	479.10
KOM-707-99-64130	P-UB-14	90 X 160 mm	522.42	KOM-707-99-68660	P-UB-14	120 X 185 mm	630.00
KOM-707-99-64150	P-U-14	90,140 X 120,160 mm	396.08	KOM-707-99-68730	P-UB-14	120 X 185 mm	625.05
KOM-707-99-64152	P-U-14	90, 140 X 120 mm	573.30	KOM-707-99-68780	P-UB-14	120 X 185 mm	659.05
KOM-707-99-64180	P-U-14	90, 140 X 120 mm	582.82	KOM-707-99-68910	P-UB-14	120 X 170 mm	574.59
KOM-707-99-64200	P-UB-14	90 X 160 mm	258.68	KOM-707-99-69500	P-UB-14	130 X 185 mm	733.88
KOM-707-99-64230	P-UB-14	90 X 160 mm	241.93	KOM-707-99-69590	P-UB-14	120 X 185 mm	703.87
KOM-707-99-64250	P-UB-14	90 X 160 mm	241.93	KOM-707-99-69600	P-U-14	130 X 180 mm	763.60
KOM-707-99-64400	P-U-14	90 X 180 mm	500.04	KOM-707-99-69620	P-U-14	130 X 180 mm	807.47

FORMERLY LISTED REPAIR PARTS ARE AVAILABLE ONLINE AT WWW.HERCULESUS.COM
OR BY CONTACTING YOUR REGIONAL HERCULES SALES TEAM.

REPLACEMENT KITS FOR KOMATSU CONSTRUCTION EQUIPMENT

KOMATSU

Kit Number	Code (Pg. xiv)	Rod X Bore Size	List Price	Kit Number	Code (Pg. xiv)	Rod X Bore Size	List Price
KOM-707-99-69670	P-UB-14	130 X 185 mm	\$603.09	KOM-707-99-77630	P-UB-14	140 X 225 mm	\$932.52
KOM-707-99-69700	P-UB-14	130 X 185 mm	701.67	KOM-707-99-78440	P-UB-14	160 X 225 mm	1851.21
KOM-707-99-69710	P-UB-14	130 X 185 mm	727.99	KOM-707-99-78620	P-UB-14	160 X 225 mm	2025.03
KOM-707-99-69740	P-UB-14	130 X 185 mm	726.57	KOM-707-99-78630	P-UB-14	160 X 225 mm	2024.42
KOM-707-99-69790	P-UB-14	130 X 185 mm	710.25	KOM-707-99-78680	P-UB-14	160 X 225 mm	1824.59
KOM-707-99-71100	P-U-14	90 X 200 mm	409.86	KOM-707-99-78700	P-UB-14	160 X 225 mm	1824.53
KOM-707-99-71420	P-U-14	90 X 225 mm	490.22	KOM-707-99-78740	P-UB-14	160 X 225 mm	1824.53
KOM-707-99-72060	P-UB-14	110 X 160 mm	746.82	KOM-707-99-78780	P-UB-14	160 X 225 mm	2131.25
KOM-707-99-72070	P-UB-14	110 X 160 mm	662.87	KOM-707-99-81010	P-UB-14	110 X 250 mm	565.13
KOM-707-99-72080	P-UB-14	110 X 160 mm	660.02	KOM-707-99-84010	P-U-14	140 X 250 mm	751.67
KOM-707-99-72090	P-UB-14	115 X 160 mm	843.74	KOM-707-99-84200	P-UB-14	140 X 250 mm	585.24
KOM-707-99-72240	P-UB-14	110 X 160 mm	597.86	KOM-707-99-84400	P-U-14	140 X 280 mm	644.41
KOM-707-99-72300	P-UB-14	110 X 160 mm	391.68	KOM-707-99-84440	P-UB-14	140 X 280 mm	754.35
KOM-707-99-72390	P-UB-14	115 X 160 mm	711.53	KOM-707-99-84450	P-UB-14	140 X 280 mm	807.48
KOM-707-99-73010	P-U-14	100 X 200 mm	317.63	KOM-707-99-84470	P-UB-14	140 X 280 mm	668.40
KOM-707-99-73020	P-U-14	100 X 200 mm	291.90	KOM-707-99-85310	P-UB-14	160 X 250 mm	2486.97
KOM-707-99-73140	P-UB-14	100 X 200 mm	499.16	KOM-707-99-85350	P-UB-14	160 X 250 mm	4336.66
KOM-707-99-73150	P-UB-14	100 X 200 mm	653.35	KOM-707-99-85900	P-UB-14	160 X 260 mm	1596.68
KOM-707-99-73160	P-UB-14	100 X 200 mm	834.19	KOM-707-99-86600	P-UB-14	170 X 280 mm	1438.95
KOM-707-99-74010	P-U-14	110 X 200 mm	366.01	KOM-707-99-87700	P-UB-14	190 X 280 mm	2327.87
KOM-707-99-74020	P-UB-14	110 X 200 mm	447.63	KOM-707-99-87730	P-UB-14	190 X 280 mm	2327.87
KOM-707-99-74120	P-UB-14	110 X 200 mm	379.65	KOM-707-99-89200	P-U-14	170 X 250 mm	1221.55
KOM-707-99-74140	P-UB-14	110 X 200 mm	516.88	KOM-707-99-89220	P-UB-14	170 X 250 mm	2738.84
KOM-707-99-74200	P-UB-14	110 X 200 mm	401.77	KOM-707-99-89250	P-UB-14	170 X 250 mm	2738.84
KOM-707-99-74230	P-UB-14	110 X 200 mm	446.03	KOM-707-99-96140	P-UB-14	200 X 300 mm	5203.60
KOM-707-99-74240	P-UB-14	110 X 200 mm	495.81	KOM-707-99-96200	P-UB-14	180 X 300 mm	2568.20
KOM-707-99-74440	P-UB-14	110 X 225 mm	488.12	KOM-707-99-H0P01	P-U-14	95 X 180 mm	729.84
KOM-707-99-74450	P-UB-14	110 X 225 mm	430.40	KOM-707-99-H0P03	P-UB-14	100 X 200 mm	825.90
KOM-707-99-75400	P-U-14	120 X 225 mm	410.33	KOM-707-99-H0P10	P-UB-14	95 X 180 mm	792.76
KOM-707-99-75410	P-U-14	120 X 225 mm	405.55	KOM-707-99-H0P11	P-UB-14	50 X 100 mm	322.28
KOM-707-99-75420	P-U-14	120 X 225 mm	434.74	KOM-721-98-00160	P-UB-14	85 X 120 mm	726.34
KOM-707-99-75440	P-UB-14	120 X 225 mm	521.93	KOM-721-98-00170	P-UB-14	95 X 135 mm	307.55
KOM-707-99-75450	P-UB-14	120 X 225 mm	847.91	KOM-721-98-00180	P-UB-14	80 X 115 mm	358.36
KOM-707-99-75470	P-UB-14	120 X 225 mm	395.60	KOM-721-98-00190	P-UB-14	60 X 90 mm	96.16
KOM-707-99-75490	P-UB-14	120 X 225 mm	1127.81	KOM-721-98-00380	P-UB-14	110 X 200 mm	521.30
KOM-707-99-75600	P-UB-14	120 X 225 mm	430.16	KOM-721-98-00410	P-UB-14	90 X 140 mm	414.16
KOM-707-99-76030	P-UB-14	140 X 200 mm	1406.30	KOM-721-98-00660	P-UB-14	85 X 120 mm	706.07
KOM-707-99-76060	P-UB-14	140 X 200 mm	1240.78	KOM-721-98-00670	P-U-14	65 X 115 mm	302.92
KOM-707-99-76230	P-UB-14	140 X 200 mm	991.89	KOM-721-98-00680	P-U-14	60 X 100 mm	166.87
KOM-707-99-76260	P-UB-14	140 X 200 mm	1886.33	KOM-721-98-00700	P-U-14	65 X 130 mm	160.12
KOM-707-99-76300	P-UB-14	140 X 200 mm	586.54	KOM-721-98-00730	P-UB-14	50 X 90 mm	228.12
KOM-707-99-77050	P-UB-14	140 X 200 mm	423.04	KOM-721-98-01120	P-UB-14	70 X 105 mm	602.27
KOM-707-99-77090	P-UB-14	140 X 200 mm	893.49	KOM-721-98-01160	P-UB-14	65 X 110 mm	100.58
KOM-707-99-77120	P-UB-14	140 X 200 mm	1058.60	KOM-721-98-01180	P-UB-14	60 X 90 mm	80.31
KOM-707-99-77130	P-UB-14	140 X 200 mm	1517.51	KOM-721-98-01190	P-UB-14	70 X 130 mm	175.33
KOM-707-99-77140	P-UB-14	140 X 200 mm	571.76	KOM-721-98-01280	P-U-14	50 X 90 mm	241.62
KOM-707-99-77160	P-UB-14	140 X 200 mm	539.93	KOM-721-98-01290	P-UB-14	60 X 85 mm	165.28
KOM-707-99-77190	P-UB-14	140 X 200 mm	1092.08	KOM-721-98-01350	P-UB-14	60 X 100 mm	323.95
KOM-707-99-77220	P-UB-14	140 X 200 mm	420.71	KOM-721-98-01520	P-UB-14	75 x 110 mm	633.06
KOM-707-99-77240	P-U-14	140 X 200 mm	1317.13	KOM-721-98-01530	P-UB-14	65 X 95 mm	525.89
KOM-707-99-77250	P-U-14	140 X 200 mm	1194.77	KOM-721-98-01540	P-UB-14	75 X 110 mm	497.02
KOM-707-99-77300	P-UB-14	140 X 200 mm	424.70	KOM-721-98-01560	P-U-14	55 X 90 mm	264.01
KOM-707-99-77380	P-UB-14	140 X 200 mm	441.10	KOM-721-98-01720	P-UB-14	110 X 160 mm	797.39
KOM-707-99-77600	P-UB-14	140 X 225 mm	827.31	KOM-721-98-01740	P-UB-14	110 X 160 mm	797.53
KOM-707-99-77620	P-UB-14	140 X 225 mm	466.52	KOM-721-98-01741	P-UB-14	110 X 160 mm	797.53

REPLACEMENT KITS FOR KOMATSU CONSTRUCTION EQUIPMENT

Kit Number	Code (Pg. xiv)	Rod X Bore Size	List Price
KOM-721-98-01750	P-UB-14	120 X 185 mm	924.04
KOM-721-98-01751	P-UB-14	120 X 185 mm	924.04
KOM-721-98-01960	P-UB-14	100 X 140 mm	341.42
KOM-721-98-01970	P-UB-14	100 X 140 mm	291.57
KOM-721-98-01981	P-UB-14	110 X 160 mm	778.81
KOM-721-98-01990	P-UB-14	100 X 140 mm	399.01
KOM-721-98-01991	P-UB-14	100 X 140 mm	399.01
KOM-721-98-02310	P-UB-14	90 X 130 mm	395.99
KOM-721-98-02330	P-UB-14	95 X 135 mm	704.66
KOM-721-98-02440	P-UB-14	95 X 135 mm	715.82
KOM-721-98-02460	P-UB-14	90 X 130 mm	491.23
KOM-721-98-02510	P-UB-14	50 X 90 mm	244.90
KOM-721-98-02520	P-UB-14	50 X 90 mm	114.33
KOM-721-98-02530	P-UB-14	110 X 160 mm	848.73
KOM-721-98-02540	P-UB-14	55 X 100 mm	170.25
KOM-721-98-02550	P-UB-14	50 X 90 mm	240.30
KOM-721-98-02560	P-UB-14	50 X 90 mm	114.86
KOM-721-98-02570	P-UB-14	55 X 100 mm	170.85
KOM-721-98-02600	P-UB-14	100 X 140 mm	600.33
KOM-721-98-02620	P-UB-14	85 X 120 mm	703.11
KOM-721-98-02650	P-UB-14	90 X 150 mm	179.51
KOM-721-98-02660	P-UB-14	60 X 110 mm	103.91
KOM-721-98-03080	P-UB-14	40 X 70 mm	182.20
KOM-721-98-03100	P-UB-14	70 X 125 mm	214.80
KOM-721-98-03270	P-UB-14	65 X 110 mm	367.87
KOM-721-98-03280	P-UB-14	65 X 110 mm	100.58
KOM-721-98-05900	P-UB-14	65 X 90 mm	104.89
KOM-721-98-05910	P-UB-14	65 X 90 mm	104.93
KOM-721-98-06150	P-UB-14	55 X 100 mm	165.12
KOM-721-98-06160	P-UB-14	55 X 100 mm	165.72
KOM-721-98-00900	P-UB-14	70 X 120 mm	500.49
KOM-769-931-73	I-V-1	240 mm	1315.27
KOM-770-184-73	I-V-1	260 mm	2640.31
KOM-770-318-73	I-V-1	290 mm	3414.34
KOM-770-552-73	I-BB-1	260 mm	2541.03
KOM-780-454-73	N-N-10	200 mm	370.55
KOM-792-062-73	N-N-10	300 mm	1736.38
KOM-794-000-73	N-N-10	380 mm	3909.12

Kit Number	Code (Pg. xiv)	Rod X Bore Size	List Price
KOM-794-792-73	N-N-10	460 mm	4977.86
KOM-797-431-73	N-BB-1	260 mm	2793.68
KOM-827020113	I-U-15	45 X 80 mm	47.14
KOM-855660112	I-SP-15	45 X 85 mm	142.97
KOM-878000365	P-UB-14	60 X 120 mm	426.06
KOM-878000388	P-UB-10	40 X 70 mm	106.83
KOM-878000425	P-UB-14	60 X 100 mm	336.06
KOM-878000486	P-UB-14	50 X 85 mm	132.01
KOM-878000487	P-UB-14	50 X 80 mm	119.08
KOM-878000489	P-UB-14	60 X 120 mm	170.29
KOM-878000490	P-UB-14	60 X 110 mm	172.12
KOM-878000491	P-UB-14	60 X 115 mm	180.23
KOM-878000492	P-UB-14	60 X 95 mm	156.76
KOM-878000494	P-UB-14	55 X 110 mm	113.45
KOM-878000541	P-UB-14	60 X 125 mm	226.14
KOM-878000542	P-UB-14	50 X 115 mm	132.59
KOM-878000607	P-UB-14	70 X 120 mm	378.41
KOM-878000608	P-UB-14	50 X 90 mm	247.79
KOM-878000617	I-SP-10	18 X 30 mm	71.22
KOM-878010240	P-U-14	30 X 60 mm	109.41
KOM-878010241	P-U-14	35 X 55 mm	95.28
KOM-878010284	P-U-14	35 X 65 mm	98.37
KOM-878010285	P-U-14	40 X 65 mm	99.26
KOM-AK0076	P-U-10	2-1/2 X 5	246.92
KOM-AK4307	P-U-14	3-1/4 X 6-1/2	750.10
KOM-AK4308	I-UB-1	15-3/4	4171.25
KOM-AK4370	P-U-14	3 X 6	585.61
KOM-AK4441	I-UB-1	14" ROD KIT	3018.96
KOM-AK4446	I-UB-1	12" ROD KIT	1730.61
KOM-AK4773	I-UB-10	7,10-1/2,13	4483.91
KOM-AK4892	TELESCOPIC KIT		4395.53
KOM-AK5239	I-UB-1	14	1997.16
KOM-AK7283	P-U-10	3 X 6	161.47
KOM-PC-1	P-U-14	100 X 150 mm	312.33
KOM-PC-2	P-U-14	90 X 140 mm	282.88
KOM-PC-3	P-U-14	80 X 140 mm	354.49
KOM-RK1887	SHOCK STRUT VALVE		211.54
KOM-SK100236	P-U-14	100 mm X 150 mm	132.20

KOMATSU

REPLACEMENT PARTS FOR KOMATSU EQUIPMENT

Repair parts for Komatsu are available online at www.HerculesUS.com or by contacting the Hercules Sales Team at the information provided below.
Scan the QR code for quick access.



REPLACEMENT KITS FOR KOMATSU® LIFT TRUCKS

NOTE: Komatsu part numbers are used as a reference only. We do not imply that these kits are original REPLACEMENT KITS.

Kit Number	Code (Pg. xiv)	Rod X Bore Size	List Price
KOM-34A-63-05010	I-U-4,12	50 X 70 mm	\$210.06
KOM-34A-64-05010	I-U-1	30mm Rod Kit	39.22
KOM-34B-63-05011	I-U-4,10	55 X 80 mm	264.21
KOM-34B-63-05021	I-U-4,10	60 X 80 mm	252.43
KOM-34B-64-05010	I-U-1	35 X 50 mm	56.56
KOM-3EA-64-05020	I-U-1	25 X 60 mm	62.49
KOM-3EA-64-05030	I-U-1	35mm Rod Kit	67.87
KOM-3EA-64-05190	I-U-10	1 X 2-1/2	67.98
KOM-3EB-34-05010	O-Ring Kit		33.65
KOM-3EB-63-05010	P-U-4	40 X 50 mm	149.80
KOM-3EB-63-05020	P-U-4	45 X 55 mm	67.20
KOM-3EB-64-05010	I-U-1	25 X 50 mm	53.19
KOM-3EB-64-05020	I-U-1	25 X 50 mm	81.46

Kit Number	Code (Pg. xiv)	Rod X Bore Size	List Price
KOM-3EB-64-05020L	P-U-10	25 X 50mm	\$47.01
KOM-3EB-64-05050	I-U-1	30 X 70 mm	62.52
KOM-3EB-64-05050L	I-U-3	30 X 70 mm	56.59
KOM-3EB-64-05060	I-U-1	35 X 65 mm	55.26
KOM-3EB-64-05091	I-U-3	30 X 70 mm	45.99
KOM-3EB-64-05190	I-U-10	1-1/4 X 2-3/4	81.80
KOM-3EB-64-A2000	I-U-10	1-5/8 X 2-1/2	104.85
KOM-3EB-64-A5191	I-U-10	1-1/4 X 2-3/4	136.56
KOM-3EC-63-05020	P-U-4	50 X 70 mm	103.51
KOM-3EC-64-05010L	I-U-3	45 X 90 mm	64.93
KOM-3EC-64-05190	I-U-10	1-3/4 X 3-1/2	76.82
KOM-3EC-64-A2390	I-U-10	1 X 2	58.75
KOM-ON43001-07567	I-U-10	50 X 75 mm	170.77

KOMATSU® TRACK ADJUSTER KITS

Kit Number	Code (Pg. xiv)	Bore Size	List Price
KOM-1909018	P-N-4	60 mm	\$79.50
KOM-1909019	N-N-4	70 mm	41.36
KOM-1909020	N-N-4	70 mm	47.41
KOM-1909021	P-N-4	70 mm	43.52
KOM-1909022	P-N-4	90 mm	56.56

Kit Number	Code (Pg. xiv)	Bore Size	List Price
KOM-1909023	N-N-4	100 mm	\$45.97
KOM-1909025	P-N-4	100 mm	56.81
KOM-1909041	P-OB-1	40 mm Rod	11.36
KOM-1909043	N-N-4	40 mm	77.04

REPLACEMENT KITS FOR KOMATSU® TRACK ADJUSTER

Kit Number	Code (Pg. xiv)	Rod X Bore Size	List Price
KOM-SK100118	Track Adj	Track Adj	\$317.92
KOM-SK100120	Track Adj	Track Adj	398.63
KOM-SK100121	Track Adj	Track Adj	384.11
KOM-SK100124	Track Adj	Track Adj	349.50
KOM-SK100125	Track Adj	Track Adj	360.59
KOM-SK100126	Track Adj	Track Adj	583.63
KOM-SK100127	Track Adj	Track Adj	120.55
KOM-SK100128	Track Adj	Track Adj	196.46
KOM-SK100129	Track Adj	Track Adj	124.10
KOM-SK100134	Track Adj	Track Adj	184.30
KOM-SK100136	Track Adj	Track Adj	228.39
KOM-SK100137	Track Adj	Track Adj	157.07
KOM-SK100140	Track Adj	Track Adj	182.60
KOM-SK100141	Track Adj	Track Adj	129.04
KOM-SK100142	Track Adj	Track Adj	225.64
KOM-SK100143	Track Adj	Track Adj	59.53
KOM-SK100144	Track Adj	Track Adj	147.56
KOM-SK100145	Track Adj	Track Adj	63.07

Kit Number	Code (Pg. xiv)	Rod X Bore Size	List Price
KOM-SK100149	Track Adj	Track Adj	\$212.63
KOM-SK100150	Track Adj	Track Adj	261.59
KOM-SK100151	Track Adj	Track Adj	293.87
KOM-SK100152	Track Adj	Track Adj	307.34
KOM-SK100153	Track Adj	Track Adj	140.30
KOM-SK100154	Track Adj	Track Adj	245.38
KOM-SK100169	Track Adj	Track Adj	61.92
KOM-SK100170	Track Adj	Track Adj	128.48
KOM-SK100171	Track Adj	Track Adj	164.44
KOM-SK100172	Track Adj	Track Adj	58.92
KOM-SK100173	Track Adj	Track Adj	164.01
KOM-SK100194	Track Adj	Track Adj	144.04
KOM-SK100215	Track Adj	Track Adj	238.42
KOM-SK100216	Track Adj	Track Adj	196.84
KOM-SK100217	Track Adj	Track Adj	220.06
KOM-SK100218	Track Adj	Track Adj	138.79

REPLACEMENT SEAL KITS FOR KUBOTA EQUIPMENT*

Replacement Seal Kits By Machine Type

Table of Contents

Machine Type		Page
Agricultural Tractors	B2301HSD, B2601HSD, B2650, B3350, BX2370, L2501, L3301, L3901, L4701, M5-091, M5-111, M6060, M7060, MX4800, MX5200, MX5800	972-974
Backhoe Loaders	BX25D	974
Excavators Compact	K008, K008-3, KH-28L, KH-41(H), KH-90(H), KH-91(H), KH-171L, KH-191, KX018-4, KX019-4, KX36-3, KX040-4, KX41(H), KX41-2, KX41-2S, KX41-3, KX41-3V, KX057-4, KX61, KX61-2 ALPHA, KX71, KX71(H), KX080-3, KX080-4, KX91-3, KX91-3S, KX101, KX101(H), KX101(H) JAPAN, KX121-3, KX121-3 ALPHA, KX121-3S, KX155-3SZ, KX161-3, KX161-3S, KX161-3SZ, U25-3, U25-3 ALPHA, U35-4, U55-4	974-980
Loaders - Skid Steer	SSV65, SSV65C, SSV65P, SSV65PC, SSV75, SSV75C	980-981
Loaders - Track Skid Steer	SVL75, SVL75 C, SVL75-2, SVL75-2C, SVL90, SVL90 C, SVL90-2, SVL90-2C, SVL95-2S, SVL95-2SC	981-982
Alpha-Numeric Kit Listing		983-984
Kubota Individual Parts		Found Online

KUBOTA

All manufacturer's names, part numbers and descriptions are used for reference purposes only. We do not imply that any part shown is the product of these manufacturers. We also do not imply that the list price shown is exactly that of the manufacturer.

FORMERLY LISTED REPAIR PARTS ARE AVAILABLE ONLINE AT WWW.HERCULESUS.COM
OR BY CONTACTING YOUR REGIONAL HERCULES SALES TEAM.

Replacement Kits For

KUBOTA

Agricultural Tractors

APPLICATION	CYL #	SERIAL #	CODE	ROD	BORE	KIT #	List \$
MODEL B2301HSD							
BACKHOE BOOM	7K525-22010		I-U-10	30 mm	65 mm	KUB-7K525-22300	92.46
BACKHOE BUCKET	7K506-43010		I-U-10	30 mm	55 mm	KUB-7K506-43300	57.31
BACKHOE DIPPER	7K506-32010		I-U-10	30 mm	65 mm	KUB-7K506-32300	46.87
BACKHOE SWING	7K506-13010		I-U-10	30 mm	60 mm	KUB-7K525-13300	101.02
LOADER BOOM	7J053-63010		I-U-10	25 mm	45 mm	KUB-7J053-63400	56.57
LOADER BUCKET	7J053-64010		I-U-10	25 mm	45 mm	KUB-7J053-63400	56.57
STABILIZER	7K504-52013		I-U-10	25 mm	60 mm	KUB-7K522-32300	86.68
STEERING	6C430-57302		I-U-10	25 mm	40 mm	KUB-SK100197	85.94
MODEL B2601HSD							
BACKHOE BOOM	7K525-22010		I-U-10	30 mm	65 mm	KUB-7K525-22300	92.46
BACKHOE BUCKET	7K506-43010		I-U-10	30 mm	55 mm	KUB-7K506-43300	57.31
BACKHOE DIPPER	7K506-32010		I-U-10	30 mm	65 mm	KUB-7K506-32300	46.87
BACKHOE SWING	7K506-13010		I-U-10	30 mm	60 mm	KUB-7K525-13300	101.02
LOADER BOOM	7J053-63010		I-U-10	25 mm	45 mm	KUB-7J053-63400	56.57
	7J273-63010		I-U-10	30 mm	45 mm	KUB-7J273-63400	113.51
LOADER BUCKET	7J053-64010		I-U-10	25 mm	45 mm	KUB-7J053-63400	56.57
	7J273-64010		I-U-10	30 mm	45 mm	KUB-7J273-63400	113.51
STABILIZER	7K504-52013		I-U-10	25 mm	60 mm	KUB-7K522-32300	86.68
STEERING	6C430-57302		I-U-10	25 mm	40 mm	KUB-SK100197	85.94
MODEL B2650							
BACKHOE BOOM	7K503-22012		P-U-10	35 mm	70 mm	KUB-7K503-22300	75.42
BACKHOE BUCKET	7K503-43010		P-U-10	35 mm	55 mm	KUB-7K503-43300	127.74
DIPPER	7K503-32012		P-U-10	35 mm	70 mm	KUB-7K503-32300	127.74
LOADER BOOM	7J056-63310		I-U-10	25 mm	45 mm	KUB-7J056-63400	57.04
LOADER BUCKET	7J053-64010		I-U-10	25 mm	45 mm	KUB-7J053-63400	56.57
STABILIZER LH	7K503-52030		P-U-10	30 mm	65 mm	KUB-7K503-52300	101.27
STABILIZER RH	7K503-52020		P-U-10	30 mm	65 mm	KUB-7K503-52300	101.27
STEERING	6C430-57300		I-U-10	25 mm	40 mm	KUB-SK100197	85.94
	6C430-57302		I-U-10	25 mm	40 mm	KUB-SK100197	85.94
SWING	7K503-13012		P-U-10	25 mm	50 mm	KUB-7K503-13300	119.80
MODEL B3350							
BACKHOE BOOM	7K503-22012		P-U-10	35 mm	70 mm	KUB-7K503-22300	75.42
BACKHOE BUCKET	7K503-43010		P-U-10	35 mm	55 mm	KUB-7K503-43300	127.74
DIPPER	7K503-32012		P-U-10	35 mm	70 mm	KUB-7K503-32300	127.74
LOADER BOOM	7J056-63310		I-U-10	25 mm	45 mm	KUB-7J056-63400	57.04
LOADER BUCKET	7J053-64010		I-U-10	25 mm	45 mm	KUB-7J053-63400	56.57
STABILIZER LH	7K503-52030		P-U-10	30 mm	65 mm	KUB-7K503-52300	101.27
STABILIZER RH	7K503-52020		P-U-10	30 mm	65 mm	KUB-7K503-52300	101.27
STEERING	6C430-57300		I-U-10	25 mm	40 mm	KUB-SK100197	85.94
	6C430-57302		I-U-10	25 mm	40 mm	KUB-SK100197	85.94
SWING	7K503-13012		P-U-10	25 mm	50 mm	KUB-7K503-13300	119.80
MODEL BX2370							
LOADER BOOM	7J612-63010		I-U-10	25 mm	40 mm	KUB-7J612-63400	65.43
LOADER BUCKET	7J612-64013		I-U-10	30 mm	65 mm	KUB-7J612-64400	103.51
STEERING	K2063-16500		I-U-10	25 mm	40 mm	KUB-K2063-91650	112.76
MODEL L2501							
BACKHOE BOOM	7K503-22012		P-U-10	35 mm	70 mm	KUB-7K503-22300	75.42
BACKHOE BUCKET	7K503-43010		P-U-10	35 mm	55 mm	KUB-7K503-43300	127.74
DIPPER	7K503-32012		P-U-10	35 mm	70 mm	KUB-7K503-32300	127.74
LOADER BOOM	7J273-63010		I-U-10	30 mm	45 mm	KUB-7J273-63400	113.51
LOADER BUCKET	7J273-64010		I-U-10	30 mm	45 mm	KUB-7J273-63400	113.51
STABILIZER (LH)	7K503-52010		P-U-10	30 mm	65 mm	KUB-7K503-52300	101.27
STABILIZER (RH)	7K503-52020		P-U-10	30 mm	65 mm	KUB-7K503-52300	101.27
SWING	7K503-13012		P-U-10	25 mm	50 mm	KUB-7K503-13300	119.80

KUBOTA

KUBOTA

Replacement Kits For

Agricultural Tractors							
APPLICATION	CYL #	SERIAL #	CODE	ROD	BORE	KIT #	List \$
MODEL L3301							
BACKHOE BOOM	7K503-22012		P-U-10	35 mm	70 mm	KUB-7K503-22300	75.42
DIPPER	7K503-32012		P-U-10	35 mm	70 mm	KUB-7K503-32300	127.74
LOADER BOOM	7J273-63010		I-U-10	30 mm	45 mm	KUB-7J273-63400	113.51
LOADER BUCKET	7J273-64010		I-U-10	30 mm	45 mm	KUB-7J273-63400	113.51
	7K503-43010		P-U-10	35 mm	55 mm	KUB-7K503-43300	127.74
STABILIZER (LH)	7K503-52010		P-U-10	30 mm	65 mm	KUB-7K503-52300	101.27
STABILIZER (RH)	7K503-52020		P-U-10	30 mm	65 mm	KUB-7K503-52300	101.27
SWING	7K503-13012		P-U-10	25 mm	50 mm	KUB-7K503-13300	119.80
MODEL L3901							
BACKHOE BOOM	7K503-22012		P-U-10	35 mm	70 mm	KUB-7K503-22300	75.42
BACKHOE BUCKET	7K503-43010		P-U-10	35 mm	55 mm	KUB-7K503-43300	127.74
DIPPER	7K503-32012		P-U-10	35 mm	70 mm	KUB-7K503-32300	127.74
LOADER BOOM	7J273-63010		I-U-10	30 mm	45 mm	KUB-7J273-63400	113.51
LOADER BUCKET	7J273-64010		I-U-10	30 mm	45 mm	KUB-7J273-63400	113.51
STABILIZER (LH)	7K503-52010		P-U-10	30 mm	65 mm	KUB-7K503-52300	101.27
STABILIZER (RH)	7K503-52020		P-U-10	30 mm	65 mm	KUB-7K503-52300	101.27
SWING	7K503-13012		P-U-10	25 mm	50 mm	KUB-7K503-13300	119.80
MODEL L4701							
BACKHOE BOOM	7K505-22013		I-U-10	40 mm	80 mm	KUB-7K505-22300	79.00
BACKHOE BUCKET	7K505-43010		I-U-10	40 mm	65 mm	KUB-7K505-43300	84.31
DIPPER	7K505-32030		I-U-10	40 mm	75 mm	KUB-75597-52300	94.30
LOADER BOOM	7J289-63010		I-U-10	30 mm	50 mm	KUB-7J291-64400	75.59
LOADER BUCKET	7J289-64010		I-U-10	30 mm	50 mm	KUB-7J291-64400	75.59
STABILIZER	7K505-52010		I-U-10	40 mm	70 mm	KUB-7J419-63410	112.12
STEERING	TC432-37800		P-U-10	35 mm	55 mm	KUB-TC432-37950	138.29
	TC432-37800		Bushing	35 mm		KUB-TD060-37920	9.65
	TC650-39800		P-U-10	32 mm	50 mm	KUB-TC650-39950	122.22
	TC650-39800		Bushing	32 mm		KUB-3C091-63940	7.26
SWING	7K500-13010		I-U-10	35 mm	60 mm	KUB-7K500-13300	48.42
MODEL M5-091							
LOADER BOOM	7J419-63014		I-U-10	40 mm	70 mm	KUB-7J419-63410	112.12
STEERING	3C091-63880		P-U-10	32 mm	55 mm	KUB-3C091-63820	174.40
	3C091-63880		Bushing	32 mm		KUB-3C091-63940	7.26
	YW398-00102		P-U-10	35 mm	55 mm	KUB-SK100200	117.86
	YW398-00102		P-U-1	35 mm		KUB-YW389-97510	71.01
	YW398-00102		Bushing	35 mm		KUB-08511-03520	9.65
MODEL M5-111							
LOADER BOOM	7J419-63014		I-U-10	40 mm	70 mm	KUB-7J419-63410	112.12
STEERING	3C091-63880		P-U-10	32 mm	55 mm	KUB-3C091-63820	174.40
	3C091-63880		Bushing	32 mm		KUB-3C091-63940	7.26
	YW398-00102		P-U-10	35 mm	55 mm	KUB-SK100200	117.86
	YW398-00102		P-U-1	35 mm		KUB-YW389-97510	71.01
	YW398-00102		Bushing	35 mm		KUB-08511-03520	9.65
MODEL M6060							
LOADER BOOM	7J417-63050		I-U-10	35 mm	60 mm	KUB-7J417-64920	128.99
LOADER BUCKET	7J417-64062		I-U-10	35 mm	60 mm	KUB-7J417-64920	128.99
STEERING	3C011-63880		P-U-10	35 mm	55 mm	KUB-TD060-37950	128.32
	3C011-63880		Bushing	35 mm		KUB-TD060-37920	9.65
	TW397-00103		P-U-10	32 mm	50 mm	KUB-YW397-97510	171.26
	TW397-00103		Bushing	32 mm		KUB-08511-03220	7.26
MODEL M7060							
LIFT ASSIST	3C131-94620; 3C131-94623		I-N-10	30 mm	60 mm	KUB-3C045-97940	85.11
LOADER BOOM	7J417-63050		I-U-10	35 mm	60 mm	KUB-7J417-64920	128.99
LOADER BUCKET	7J417-64060; 7J417-64062		I-U-10	35 mm	60 mm	KUB-7J417-64920	128.99

KUBOTA

Replacement Kits For

KUBOTA

Agricultural Tractors

APPLICATION	CYL #	SERIAL #	CODE	ROD	BORE	KIT #	List \$
MODEL M7060							
STEERING	3C011-63880		P-U-10	35 mm	55 mm	KUB-TD060-37950	128.32
MODEL MX4800							
BACKHOE BOOM	7K505-22013		I-U-10	40 mm	80 mm	KUB-7K505-22300	79.00
BACKHOE BUCKET	7K505-43010		I-U-10	40 mm	65 mm	KUB-7K505-43300	84.31
BACKHOE DIPPER	7K505-32010	-A5258	I-U-10	40 mm	75 mm	KUB-75597-52300	94.30
	7K505-32010	A5259-	I-U-10	40 mm	75 mm	KUB-7K505-52300	98.94
BACKHOE SWING	7K500-13010		I-U-10	35 mm	60 mm	KUB-7K500-13300	48.42
LOADER BOOM	7J275-63050		I-U-10	35 mm	60 mm	KUB-7J808-64400	82.19
LOADER BUCKET	7J275-64050		I-U-10	35 mm	55 mm	KUB-7J275-64900	94.20
STABILIZER	7K505-52010		I-U-10	40 mm	70 mm	KUB-7J419-63410	112.12
STEERING	TC6500-39800		P-U-10	32 mm	50 mm	KUB-TC650-39950	122.22
	TC6500-39800		Bushing	32 mm		KUB-3C091-63940	7.26
	TD060-37800		P-U-10	35 mm	55 mm	KUB-TD060-37950	128.32
	TD060-37800		Bushing	35 mm		KUB-TD060-37920	9.65
MODEL MX5200							
BACKHOE BOOM	7K505-22013		I-U-10	40 mm	80 mm	KUB-7K505-22300	79.00
BACKHOE BUCKET	7K505-43010		I-U-10	40 mm	65 mm	KUB-7K505-43300	84.31
BACKHOE DIPPER	7K505-32010	-A5258	I-U-10	40 mm	75 mm	KUB-75597-52300	94.30
	7K505-32010	A5259-	I-U-10	40 mm	75 mm	KUB-7K505-52300	98.94
BACKHOE SWING	7K500-13010		I-U-10	35 mm	60 mm	KUB-7K500-13300	48.42
LOADER BOOM	7J275-63050		I-U-10	35 mm	60 mm	KUB-7J808-64400	82.19
LOADER BUCKET	7J275-64050		I-U-10	35 mm	55 mm	KUB-7J275-64900	94.20
STABILIZER	7K505-52010		I-U-10	40 mm	70 mm	KUB-7J419-63410	112.12
STEERING	TC6500-39800		P-U-10	32 mm	50 mm	KUB-TC650-39950	122.22
	TC6500-39800		Bushing	32 mm		KUB-3C091-63940	7.26
	TD060-37800		P-U-10	35 mm	55 mm	KUB-TD060-37950	128.32
	TD060-37800		Bushing	35 mm		KUB-TD060-37920	9.65
MODEL MX5800							
BACKHOE BOOM	7K505-22013		I-U-10	40 mm	80 mm	KUB-7K505-22300	79.00
BACKHOE BUCKET	7K505-43010		I-U-10	40 mm	65 mm	KUB-7K505-43300	84.31
BACKHOE DIPPER	7K505-32010	-A5258	I-U-10	40 mm	75 mm	KUB-75597-52300	94.30
	7K505-32010	A5259-	I-U-10	40 mm	75 mm	KUB-7K505-52300	98.94
BACKHOE SWING	7K500-13010		I-U-10	35 mm	60 mm	KUB-7K500-13300	48.42
LOADER BOOM	7J275-63050		I-U-10	35 mm	60 mm	KUB-7J808-64400	82.19
LOADER BUCKET	7J275-64050		I-U-10	35 mm	55 mm	KUB-7J275-64900	94.20
STABILIZER	7K505-52010		I-U-10	40 mm	70 mm	KUB-7J419-63410	112.12
STEERING	TD060-37800		P-U-10	35 mm	55 mm	KUB-TD060-37950	128.32
	TD060-37800		Bushing	35 mm		KUB-TD060-37920	9.65
Backhoe Loaders							
APPLICATION	CYL #	SERIAL #	CODE	ROD	BORE	KIT #	List \$
MODEL BX25D							
BACKHOE BOOM	7K525-22010		I-U-10	30 mm	65 mm	KUB-7K525-22300	92.46
BACKHOE BUCKET	7K522-43010		I-U-10	25 mm	50 mm	KUB-7K522-43300	72.75
DIPPER	7K522-32010		I-U-10	25 mm	60 mm	KUB-7K522-32300	86.68
LOADER BOOM	7J612-63010		I-U-10	25 mm	40 mm	KUB-7J612-63400	65.43
LOADER BUCKET	7J612-64013		I-U-10	30 mm	65 mm	KUB-7J612-64400	103.51
STABILIZER	7K522-52012		I-U-10	25 mm	60 mm	KUB-7K522-32300	86.68
STEERING	K2063-16500		I-U-10	25 mm	40 mm	KUB-K2063-91650	112.76
SWING	7K525-13012		I-U-10	30 mm	60 mm	KUB-7K525-13300	101.02
Excavators - Compact							
APPLICATION	CYL #	SERIAL #	CODE	ROD	BORE	KIT #	List \$
MODEL K008							
ARM			I-U-10	30 mm	55 mm	KUB-69191-72500	110.24
BLADE			I-U-10	30 mm	55 mm	KUB-69191-72500	110.24
BOOM			P-U-10	35 mm	60 mm	KUB-69191-72302	108.68

KUBOTA

Replacement Kits For

Excavators - Compact

APPLICATION	CYL #	SERIAL #	CODE	ROD	BORE	KIT #	List \$
MODEL K008							
BUCKET			I-U-10	30 mm	50 mm	KUB-69191-72400	88.78
SWING			I-U-10	25 mm	50 mm	KUB-69191-72202	108.68
MODEL K008-3							
ARM			I-U-10	30 mm	55 mm	KUB-69191-72500	110.24
BLADE			I-U-10	30 mm	50 mm	KUB-69191-72400	88.78
BOOM			P-U-10	35 mm	60 mm	KUB-69191-72302	108.68
BUCKET			I-U-10	30 mm	50 mm	KUB-69191-72400	88.78
SWING			I-U-10	25 mm	50 mm	KUB-69191-72202	108.68
MODEL KH-28L							
ARM	68271-67600		I-U-5	55 mm	90 mm	KUB-68271-99400	217.49
BOOM LH	68271-67510		I-U-5	50 mm	80 mm	KUB-68271-99300	201.93
BOOM RH	68271-67520		I-U-5	50 mm	80 mm	KUB-68271-99300	201.93
BUCKET	68271-67800		I-U-5	50 mm	80 mm	KUB-68271-99500	201.93
DOZER	68081-75100		I-U-5	45 mm	80 mm	KUB-68271-99800	199.71
SWING	68271-67400		I-U-5	55 mm	100 mm	KUB-68271-99600	228.51
MODEL KH-41(H)							
ARM	68501-67600		I-U-10	30 mm	50 mm	KUB-68721-91130	76.99
	68511-67600		I-U-10	30 mm	55 mm	KUB-68511-91110	78.73
BOOM	68501-67503		P-U-10	30 mm	55 mm	KUB-68191-91020	100.56
	68511-67503		P-U-10	30 mm	55 mm	KUB-68191-91020	100.56
BUCKET	68501-67800		I-U-10	30 mm	50 mm	KUB-68721-91130	76.99
	68511-67800		I-U-10	30 mm	55 mm	KUB-68511-91110	78.73
DOZER	68501-75100		I-U-10	35 mm	65 mm	KUB-68721-91160	133.16
	68511-75102		I-UB-10	35 mm	70 mm	KUB-68511-91120	85.26
SWING	68513-67400		P-U-10	30 mm	55 mm	KUB-68511-91010	322.02
MODEL KH-90(H)							
ARM	68761-67602		P-UB-10	45 mm	80 mm	KUB-68761-91130	418.41
BOOM	68761-67501		P-U-10	45 mm	90 mm	KUB-68761-91120	482.37
BUCKET	68761-67802		P-UB-10	45 mm	70 mm	KUB-68761-91040	185.88
DOZER	68761-75101		P-UB-10	45 mm	90 mm	KUB-68761-91150	472.85
SWING	68741-67401		P-UB-10	45 mm	70 mm	KUB-68741-91010	211.49
MODEL KH-91(H)							
ARM	68571-67600		P-U-10	45 mm	80 mm	KUB-68581-91030	180.93
BOOM	68581-67500		P-U-10	45 mm	90 mm	KUB-68581-91020	176.03
BUCKET	68541-67800		P-U-10	40 mm	70 mm	KUB-68761-91060	90.61
DOZER	68581-75100		P-UB-10	45 mm	90 mm	KUB-68761-91050	220.02
SWING	68541-67400		P-UB-10	40 mm	80 mm	KUB-68541-91010	386.66
MODEL KH-171L							
ARM	68271-67600		I-U-5	55 mm	90 mm	KUB-68271-99400	217.49
BOOM LH	68271-67510		I-U-5	50 mm	80 mm	KUB-68271-99300	201.93
BOOM RH	68271-67520		I-U-5	50 mm	80 mm	KUB-68271-99300	201.93
BUCKET	68271-67800		I-U-5	50 mm	80 mm	KUB-68271-99500	201.93
DOZER	68081-75100		I-U-5	45 mm	80 mm	KUB-68271-99800	199.71
SWING	68271-67400		I-U-5	55 mm	100 mm	KUB-68271-99600	228.51
MODEL KH-191							
ARM	68493-67600		P-U-10	55 mm	90 mm	KUB-68493-91030	141.75
BOOM	68493-67502		P-U-10	65 mm	120 mm	KUB-68493-91020	246.06
BUCKET	68493-67800		P-U-10	50 mm	80 mm	KUB-68493-91040	122.60
DOZER	68493-75100		P-U-10	60 mm	110 mm	KUB-68493-91050	304.31
SWING	68499-67400		P-U-10	55 mm	100 mm	KUB-68499-91010	221.93
MODEL KX018-4							
ARM			P-U-10	35 mm	60 mm	KUB-RG158-67680	91.60
BLADE			P-U-10	30 mm	65 mm	KUB-RG158-75180	88.27
BOOM			P-U-10	30 mm	60 mm	KUB-RG158-67580	96.81
BUCKET			P-U-10	35 mm	60 mm	KUB-RG158-67680	91.60
SWING			P-U-10	30 mm	55 mm	KUB-RG058-67680	84.53

KUBOTA

KUBOTA

Replacement Kits For

Excavators - Compact

APPLICATION	CYL #	SERIAL #	CODE	ROD	BORE	KIT #	List \$
MODEL KX019-4							
ARM			P-U-10	35 mm	60 mm	KUB-RG158-67680	91.60
BLADE			P-U-10	30 mm	65 mm	KUB-RG158-75180	88.27
BOOM			P-U-10	30 mm	60 mm	KUB-RG158-67580	96.81
BUCKET			P-U-10	35 mm	60 mm	KUB-RG158-67680	91.60
SWING			P-U-10	30 mm	55 mm	KUB-RG058-67680	84.53
MODEL KX36-3							
ARM			I-U-10	30 mm	55 mm	KUB-RG038-67680	106.76
BLADE			P-U-10	30 mm	60 mm	KUB-RG138-67780	114.39
BOOM			P-U-10	30 mm	60 mm	KUB-RG138-67780	114.39
BUCKET			I-U-10	30 mm	55 mm	KUB-RG038-67680	106.76
SWING			I-U-10	30 mm	55 mm	KUB-RG038-67680	106.76
MODEL KX040-4							
ANGLE BLADE	RD158-74703		P-U-10	30 mm	55 mm	KUB-MT310-25950	169.46
	RD158-74703		Wear Ring		55 mm	KUB-MT310-25520	8.33
ARM	RD158-67600		P-U-10	45 mm	75 mm	KUB-RD158-71690	125.25
	RD158-67600		Bushing	45 mm		KUB-RC461-71370	24.21
BLADE	RD158-75103		P-U-10	50 mm	90 mm	KUB-MT310-21950	213.45
	RD158-75103		Wear Ring		90 mm	KUB-YW415-00730	19.70
	RD158-75104		P-U-10	50 mm	90 mm	KUB-MT310-21980	194.02
	RD158-75104		Wear Ring		90 mm	KUB-YW415-00730	19.70
BOOM	RD158-64502		P-U-10	50 mm	85 mm	KUB-RC561-71320	143.86
BUCKET	RD158-67803		P-U-10	40 mm	70 mm	KUB-MT310-22950	275.59
	RD158-67803		Wear Ring		70 mm	KUB-MT310-22520	7.93
	RD158-67804		P-U-10	40 mm	70 mm	KUB-MT310-22980	186.61
	RD158-67804		Wear Ring		70 mm	KUB-MT310-22520	7.93
SWING	RD158-67403		P-U-10	45 mm	80 mm	KUB-MT310-20952	174.50
	RD158-67403		Wear Ring		80 mm	KUB-MT310-10520	9.02
TRACK ADJUSTER	RC411-21506		TRACK ADJ	50 mm		KUB-SK100201	10.70
	RC411-21606		TRACK ADJ	50 mm		KUB-SK100201	10.70
MODEL KX41(H)							
ARM	RB208-67600		P-U-10	35 mm	60 mm	KUB-RB201-91050	136.43
BLADE			I-UB-10	35 mm	70 mm	KUB-68511-91120	85.26
	RB208-75100		P-U-10	35 mm	70 mm	KUB-RB201-91030	96.31
BOOM			P-U-10	30 mm	55 mm	KUB-68191-91020	100.56
	RB208-67700		P-U-10	30 mm	55 mm	KUB-RB201-91010	96.31
BUCKET			I-U-10	30 mm	55 mm	KUB-68511-91110	78.73
	RB108-67800	-11244	P-U-10	30 mm	55 mm	KUB-RB101-91020	136.13
	RB208-67800	11245-	P-U-10	30 mm	55 mm	KUB-RB101-91020	136.13
SWING	RB108-67400		P-U-10	30 mm	55 mm	KUB-RB101-91020	136.13
MODEL KX41-2							
ARM			P-U-10	35 mm	60 mm	KUB-RB201-91050	136.43
BLADE			P-U-10	35 mm	70 mm	KUB-RB201-91030	96.31
BOOM			P-U-10	30 mm	55 mm	KUB-RB201-91010	96.31
BUCKET			P-U-10	30 mm	55 mm	KUB-RB101-91020	136.13
SWING			P-U-10	30 mm	55 mm	KUB-RB101-91020	136.13
MODEL KX41-2S							
ARM			P-U-10	35 mm	60 mm	KUB-RB201-91050	136.43
BLADE			P-U-10	35 mm	70 mm	KUB-RB201-91030	96.31
BOOM			P-U-10	30 mm	55 mm	KUB-RB201-91010	96.31
BUCKET			I-U-10	30 mm	55 mm	KUB-69191-72500	110.24
SWING			P-U-10	30 mm	55 mm	KUB-RB101-91020	136.13
MODEL KX41-3							
BOOM			P-U-10	30 mm	65 mm	KUB-YW181-95220	115.16
MODEL KX41-3V							
ARM			I-U-10	35 mm	60 mm	KUB-YW182-95310	112.61

KUBOTA

Replacement Kits For

Excavators - Compact							
APPLICATION	CYL #	SERIAL #	CODE	ROD	BORE	KIT #	List \$
MODEL KX41-3V							
BLADE 2			I-U-10	30 mm	65 mm	KUB-YW423-95210	71.24
BUCKET			I-U-10	35 mm	60 mm	KUB-YW182-95310	112.61
MODEL KX057-4							
ANGLE BLADE	RD358-74700		P-U-10	35 mm	65 mm	KUB-RD358-71330	95.23
ARM	RD551-67603		P-UB-10	55 mm	85 mm	KUB-RD551-71642	118.22
	RD551-67603		Wear Ring		85 mm	KUB-RD411-71260	9.93
BLADE	RD551-75100		P-U-10	60 mm	110 mm	KUB-RD551-71930	150.40
BOOM	RD551-67503		P-UB-10	55 mm	95 mm	KUB-RD551-71490	119.83
	RD551-67503		Wear Ring		95 mm	KUB-RD511-71420	9.71
BUCKET	RD551-67804		P-UB-10	45 mm	75 mm	KUB-RD551-71820	95.68
	RD551-67804		Wear Ring		75 mm	KUB-RD511-71760	9.71
SWING	RD358-67402		P-U-10	50 mm	90 mm	KUB-YW415-96510	102.75
	RD358-67402		Wear Ring		90 mm	KUB-YW415-00730	19.70
TRACK ADJUSTER	RD451-21500		TRACK ADJ	60 mm		KUB-SK100203	12.13
MODEL KX61							
ARM			I-U-10	40 mm	70 mm	KUB-69741-91110	117.40
BLADE			I-U-10	45 mm	90 mm	KUB-69741-91120	47.68
BOOM			P-U-10	40 mm	80 mm	KUB-69561-91110	102.09
BUCKET			P-U-10	40 mm	70 mm	KUB-69561-91120	139.16
SWING			P-U-10	40 mm	80 mm	KUB-69561-91110	102.09
MODEL KX61-2 ALPHA							
ARM	RG238-67600		I-U-10	40 mm	70 mm	KUB-69741-91110	117.40
BLADE	RG238-75100		I-U-10	45 mm	90 mm	KUB-69741-91120	47.68
BOOM	RG208-67500		P-U-10	40 mm	80 mm	KUB-RG208-94310	108.38
BUCKET	RG238-67800		P-U-10	45 mm	75 mm	KUB-69441-91110	153.88
SWING	RG238-67400		P-U-10	40 mm	80 mm	KUB-RG208-94410	37.14
MODEL KX71							
ARM	68318-67600	55001-	I-U-10	40 mm	70 mm	KUB-69741-91110	117.40
BLADE	68318-75100	55001-	I-U-10	45 mm	90 mm	KUB-69741-91120	47.68
BOOM		55001-	P-U-10	40 mm	80 mm	KUB-69561-91110	102.09
BUCKET		55001-	P-U-10	45 mm	75 mm	KUB-69441-91110	153.88
SWING		55001-	P-U-10	40 mm	80 mm	KUB-69561-91110	102.09
MODEL KX71(H)							
ARM			P-U-10	40 mm	70 mm	KUB-68861-93300	90.61
	68318-67600		P-U-10	40 mm	70 mm	KUB-68861-93300	90.61
BLADE			P-U-10	45 mm	90 mm	KUB-68301-91050	182.26
	68318-75100		P-U-10	45 mm	90 mm	KUB-68301-91050	182.26
SWING			P-U-10	40 mm	80 mm	KUB-68311-91010	192.38
MODEL KX080-3							
ARM	RD809-67600	-10046	P-U-10	60 mm	100 mm	KUB-RD809-72090	60.54
	RD809-67602	10047-	P-U-10	60 mm	100 mm	KUB-RD809-72090	60.54
	RD809-67603	10682-	P-U-10	60 mm	100 mm	KUB-RD809-72090	60.54
BLADE	RD809-75100		P-U-10	65 mm	125 mm	KUB-RD809-72450	168.76
BOOM	RD809-67500	-10007	P-U-10	65 mm	115 mm	KUB-RD809-72050	111.54
	RD809-67502	10008-	P-U-10	65 mm	115 mm	KUB-RD809-72050	111.54
	RD809-67503	10047-	P-U-10	65 mm	115 mm	KUB-RD809-72050	111.54
BUCKET	RD809-67800		P-U-10	55 mm	90 mm	KUB-RD809-71870	77.61
SWING	RD809-67400	-10103	P-U-10	60 mm	110 mm	KUB-RD809-72380	272.31
	RD809-67402	10104-	P-U-10	60 mm	110 mm	KUB-RD809-72380	272.31
MODEL KX080-4							
ANGLE BLADE	RD829-74700		P-U-10	45 mm	80 mm	KUB-RD819-72700	96.17
ARM	RD829-67600		P-U-10	60 mm	100 mm	KUB-RD809-72090	60.54
	RD829-67600		Wear Ring		100 mm	KUB-RD809-72530	10.15
BLADE	RD829-75100		P-U-10	65 mm	125 mm	KUB-RD819-72452	159.40
BOOM	RD829-67500		P-UB-10	65 mm	115 mm	KUB-RD829-72050	286.85

KUBOTA

KUBOTA

Replacement Kits For

Excavators - Compact							
APPLICATION	CYL #	SERIAL #	CODE	ROD	BORE	KIT #	List \$
MODEL KX080-4							
BOOM	RD829-67500		Wear Ring		115 mm	KUB-RD809-71722	10.57
BUCKET	RD829-67800		P-U-10	55 mm	90 mm	KUB-RD829-71870	220.35
TRACK ADJUSTER	RD809-21500		TRK ADJ			KUB-SK100204	21.57
MODEL KX91-3							
BUCKET			P-U-10	40 mm	65 mm	KUB-RB411-71550	123.44
MODEL KX91-3S							
BUCKET			P-U-10	40 mm	65 mm	KUB-RB411-71550	123.44
MODEL KX101							
ARM		55001-	I-U-10	45 mm	80 mm	KUB-69781-91110	117.40
BLADE		55001-	I-U-10	45 mm	90 mm	KUB-69741-91120	47.68
BOOM		55001-	P-U-10	45 mm	90 mm	KUB-69461-91110	187.25
BUCKET		55001-	P-U-10	40 mm	70 mm	KUB-69561-91120	139.16
SWING		55001-	P-U-10	40 mm	80 mm	KUB-69561-91110	102.09
MODEL KX101(H)							
ARM	68658-67600		P-U-10	45 mm	80 mm	KUB-68651-91030	198.78
BLADE	68318-75100		P-U-10	45 mm	90 mm	KUB-68301-91050	182.26
BOOM	68658-67700		P-U-10	45 mm	90 mm	KUB-68651-91020	112.07
BUCKET	68396-67800		P-U-10	40 mm	70 mm	KUB-68861-93300	90.61
SWING	68316-67400		P-U-10	40 mm	80 mm	KUB-68311-91010	192.38
MODEL KX101(H) JAPAN							
ARM	68658-67600	54999-55000	P-U-10	45 mm	80 mm	KUB-68651-91030	198.78
BLADE	68318-75100	54999-55000	P-U-10	45 mm	90 mm	KUB-68301-91050	182.26
BOOM	68658-67700	54999-55000	P-U-10	45 mm	90 mm	KUB-68651-91020	112.07
BUCKET	68396-67800	54999-55000	P-U-10	40 mm	70 mm	KUB-68861-93300	90.61
SWING	68316-67400	54999-55000	P-U-10	40 mm	80 mm	KUB-68311-91010	192.38
MODEL KX121-3							
ANGLE BLADE	RD118-74700		P-U-10	30 mm	55 mm	KUB-RD118-71350	103.02
ARM		00315-UP	I-U-10	45 mm	75 mm	KUB-RG718-67700	89.24
		00076-00314	I-U-10	45 mm	75 mm	KUB-RG718-67700	89.24
	RD118-67600	-20005	P-U-10	45 mm	75 mm	KUB-RD118-71640	169.10
	RD118-67602	20006-	P-U-10	45 mm	75 mm	KUB-RD118-71640	169.10
	RD118-67603	20748-	P-U-10	45 mm	75 mm	KUB-RD118-71640	169.10
BLADE		00076-00314	I-U-10	55 mm	95 mm	KUB-RG718-75200	100.45
		00315-UP	I-U-10	55 mm	95 mm	KUB-RG718-75200	100.45
	RD118-75100	-20747	P-U-10	55 mm	95 mm	KUB-RD118-71870	207.58
	RD118-75102	20748-	P-U-10	55 mm	95 mm	KUB-RD118-71870	207.58
BOOM		00315-UP	I-U-10	50 mm	80 mm	KUB-RG718-67300	189.07
		00076-00314	I-U-10	50 mm	80 mm	KUB-RG718-67300	189.07
	RD118-67500	-20747	P-U-10	50 mm	85 mm	KUB-RD118-71400	134.42
	RD118-67502	20748-	P-U-10	50 mm	85 mm	KUB-RD118-71400	134.42
BUCKET		00076-00314	P-U-10	40 mm	70 mm	KUB-RG719-67900	48.31
		00315-UP	P-U-10	40 mm	70 mm	KUB-RG719-67900	48.31
	RD118-67802		P-U-10	40 mm	70 mm	KUB-RD411-71820	162.32
SWING		00315-UP	P-U-10	45 mm	80 mm	KUB-RD118-71270	169.43
		00076-00314	P-U-10	45 mm	80 mm	KUB-RD118-71270	169.43
	RD118-67400	-20747	P-U-10	45 mm	80 mm	KUB-RD118-71270	169.43
	RD118-67402	20748-	P-U-10	45 mm	80 mm	KUB-RD118-71270	169.43
MODEL KX121-3 ALPHA							
ARM			I-U-10	45 mm	75 mm	KUB-RG718-67700	89.24
BLADE			I-U-10	55 mm	95 mm	KUB-RG718-75200	100.45
BOOM			I-U-10	50 mm	80 mm	KUB-RG718-67300	189.07
BUCKET			P-U-10	40 mm	70 mm	KUB-RG719-67900	48.31
SWING			P-U-10	45 mm	80 mm	KUB-RD118-71270	169.43
MODEL KX121-3S							
ANGLE BLADE	RD118-74702		P-U-10	30 mm	55 mm	KUB-RD118-71350	103.02
ARM	RD118-67603		P-U-10	45 mm	75 mm	KUB-RD118-71640	169.10

KUBOTA

Replacement Kits For

Excavators - Compact							
APPLICATION	CYL #	SERIAL #	CODE	ROD	BORE	KIT #	List \$
MODEL KX121-3S							
BLADE	RD118-75102		P-U-10	55 mm	95 mm	KUB-RD118-71870	207.58
BOOM	RD138-67500		P-U-10	50 mm	85 mm	KUB-RD118-71400	134.42
BUCKET	RD118-67802		P-U-10	40 mm	70 mm	KUB-RD411-71820	162.32
SWING	RD118-67402		P-U-10	45 mm	80 mm	KUB-RD118-71270	169.43
MODEL KX155-3SZ							
BLADE	RD511-75102		P-U-10	55 mm	105 mm	KUB-RD511-71870	252.34
BOOM	RD541-67500		P-U-10	55 mm	95 mm	KUB-RD511-71490	137.78
BUCKET	RD541-67800		P-U-10	45 mm	75 mm	KUB-RD511-71820	125.81
SWING	RD541-67400		P-U-10	50 mm	90 mm	KUB-RD511-71270	170.43
MODEL KX161-3							
ARM	RD518-67600	-20006	P-U-10	50 mm	85 mm	KUB-RD518-71640	127.88
	RD518-67602	20007-	P-U-10	50 mm	85 mm	KUB-RD518-71640	127.88
BLADE	RD518-75100	-20006	P-U-10	55 mm	105 mm	KUB-RD511-71870	252.34
	RD518-75102	20007-	P-U-10	55 mm	105 mm	KUB-RD511-71870	252.34
BOOM	RD518-67500	-20006	P-U-10	55 mm	95 mm	KUB-RD511-71490	137.78
	RD518-67502	20007-	P-U-10	55 mm	95 mm	KUB-RD511-71490	137.78
BUCKET	RD518-67800	-20006	P-U-10	45 mm	75 mm	KUB-RD511-71820	125.81
	RD518-67802	20007-	P-U-10	45 mm	75 mm	KUB-RD511-71820	125.81
SWING	RD518-67400	-20006	P-U-10	50 mm	90 mm	KUB-RD511-71270	170.43
	RD518-67402	20007-	P-U-10	50 mm	90 mm	KUB-RD511-71270	170.43
MODEL KX161-3S							
ARM	RD518-67602		P-U-10	50 mm	85 mm	KUB-RD518-71640	127.88
BLADE	RD518-75102		P-U-10	55 mm	105 mm	KUB-RD511-71870	252.34
BOOM	RD538-67500		P-U-10	55 mm	95 mm	KUB-RD511-71490	137.78
BUCKET	RD518-67802		P-U-10	45 mm	75 mm	KUB-RD511-71820	125.81
SWING	RD518-67402		P-U-10	50 mm	90 mm	KUB-RD511-71270	170.43
MODEL KX161-3SZ							
ARM	RD547-67600		P-U-10	50 mm	85 mm	KUB-RD518-71640	127.88
BLADE	RD548-75100		P-U-10	55 mm	105 mm	KUB-RD548-71330	320.07
BOOM	RD541-67500		P-U-10	55 mm	95 mm	KUB-RD511-71490	137.78
BUCKET	RD547-67800		P-U-10	45 mm	75 mm	KUB-RD511-71820	125.81
SWING	RD548-67400		P-U-10	50 mm	90 mm	KUB-RD548-71130	236.55
MODEL U25-3							
ARM			P-U-10	40 mm	70 mm	KUB-RB511-71550	159.87
BLADE			P-U-10	45 mm	90 mm	KUB-RB511-71670	100.22
BOOM			P-U-10	40 mm	70 mm	KUB-RB511-71470	201.17
BUCKET			P-U-10	35 mm	65 mm	KUB-RB511-71790	188.52
SWING			P-U-10	35 mm	60 mm	KUB-RB411-71870	200.98
MODEL U25-3 ALPHA							
ARM			P-U-10	40 mm	70 mm	KUB-RB511-71550	159.87
BLADE			P-UB-10	45 mm	90 mm	KUB-RB511-75650	224.34
BOOM			P-U-10	40 mm	70 mm	KUB-RB511-71470	201.17
BUCKET			P-U-10	35 mm	65 mm	KUB-RB511-71790	188.52
SWING			P-U-10	35 mm	60 mm	KUB-RB411-71870	200.98
MODEL U35-4							
ANGLE BLADE	RD158-74703		P-U-10	30 mm	55 mm	KUB-MT310-25950	169.46
	RD158-74703		Wear Ring		55 mm	KUB-MT310-25520	8.33
ARM	RC788-67603		P-U-10	45 mm	75 mm	KUB-MT310-14950	212.64
	RC788-67603		Wear Ring			KUB-MT310-14520	16.30
BLADE	RC788-75104		P-U-10	45 mm	90 mm	KUB-MT310-11950	202.29
	RC788-75104		Wear Ring		90 mm	KUB-YW415-00730	19.70
BOOM	RC788-67500		P-U-10	45 mm	80 mm	KUB-RP321-71320	133.85
	RC788-67500		Bushing	45 mm		KUB-RC461-71370	24.21
BUCKET	RC788-67803		P-U-10	40 mm	65 mm	KUB-MT310-12950	151.37
SWING	RC788-67403		P-U-10	40 mm	80 mm	KUB-MT310-10952	167.31

KUBOTA

KUBOTA

Replacement Kits For

Excavators - Compact							
APPLICATION	CYL #	SERIAL #	CODE	ROD	BORE	KIT #	List \$
MODEL U35-4							
SWING	RC788-67403		Wear Ring		80 mm	KUB-MT310-10520	9.02
TRACK ADJUSTER LH	RC788-21500		TRACK ADJ	50 mm		KUB-SK100201	10.70
TRACK ADJUSTER RH	RC788-21600		TRACK ADJ	50 mm		KUB-SK100201	10.70
MODEL U55-4							
ANGLE BLADE	RD358-74700		P-U-10	35 mm	65 mm	KUB-RD358-71330	95.23
ARM	RD551-67604		P-UB-10	55 mm	85 mm	KUB-RD551-71643	182.63
	RD551-67604		Wear Ring		85 mm	KUB-RD411-71260	9.93
BOOM	RD568-67500		P-UB-10	55 mm	95 mm	KUB-RD551-71490	119.83
	RD568-67500		Wear Ring		95 mm	KUB-RD511-71420	9.71
BUCKET	RD551-67804		P-UB-10	45 mm	75 mm	KUB-RD551-71820	95.68
	RD551-67804		Wear Ring		75 mm	KUB-RD511-71760	9.71
SWING	RD551-67403		P-U-10	50 mm	90 mm	KUB-YW415-96510	102.75
	RD551-67403		Wear Ring		90 mm	KUB-YW415-00730	19.70
Loaders - Skid Steer							
APPLICATION	CYL #	SERIAL #	CODE	ROD	BORE	KIT #	List \$
MODEL SSV65							
ARM LH	V1311-73110	-12328	I-U-10	40 mm	65 mm	KUB-V1311-73880	118.54
	V1311-73112	12329-	I-U-10	40 mm	65 mm	KUB-V1311-73880	118.54
ARM RH	V1311-73210	-12328	I-U-10	40 mm	65 mm	KUB-V1311-73880	118.54
	V1311-73212	12329-	I-U-10	40 mm	65 mm	KUB-V1311-73880	118.54
BUCKET	V1311-74110	-12328	I-U-10	35 mm	65 mm	KUB-V1311-74860	109.14
	V1311-74112	12329-	I-U-10	35 mm	65 mm	KUB-V1311-74860	109.14
MODEL SSV65C							
ARM LH	V1311-73110	-12328	I-U-10	40 mm	65 mm	KUB-V1311-73880	118.54
	V1311-73112	12329-	I-U-10	40 mm	65 mm	KUB-V1311-73880	118.54
ARM RH	V1311-73210	-12328	I-U-10	40 mm	65 mm	KUB-V1311-73880	118.54
	V1311-73212	12329-	I-U-10	40 mm	65 mm	KUB-V1311-73880	118.54
BUCKET	V1311-74110	-12328	I-U-10	35 mm	65 mm	KUB-V1311-74860	109.14
	V1311-74112	12329-	I-U-10	35 mm	65 mm	KUB-V1311-74860	109.14
MODEL SSV65P							
ARM LH	V1311-73110	-12328	I-U-10	40 mm	65 mm	KUB-V1311-73880	118.54
	V1311-73112	12329-	I-U-10	40 mm	65 mm	KUB-V1311-73880	118.54
ARM RH	V1311-73210	-12328	I-U-10	40 mm	65 mm	KUB-V1311-73880	118.54
	V1311-73212	12329-	I-U-10	40 mm	65 mm	KUB-V1311-73880	118.54
BUCKET	V1311-74110	-12328	I-U-10	35 mm	65 mm	KUB-V1311-74860	109.14
	V1311-74112	12329-	I-U-10	35 mm	65 mm	KUB-V1311-74860	109.14
MODEL SSV65PC							
ARM LH	V1311-73110	-12328	I-U-10	40 mm	65 mm	KUB-V1311-73880	118.54
	V1311-73112	12329-	I-U-10	40 mm	65 mm	KUB-V1311-73880	118.54
ARM RH	V1311-73210	-12328	I-U-10	40 mm	65 mm	KUB-V1311-73880	118.54
	V1311-73212	12329-	I-U-10	40 mm	65 mm	KUB-V1311-73880	118.54
BUCKET	V1311-74110	-12328	I-U-10	35 mm	65 mm	KUB-V1311-74860	109.14
	V1311-74112	12329-	I-U-10	35 mm	65 mm	KUB-V1311-74860	109.14
MODEL SSV75							
ARM LH	V1411-73110	-12356	I-U-10	45 mm	75 mm	KUB-V1411-73880	84.15
	V1411-73112	12357-	I-U-10	45 mm	75 mm	KUB-V1411-73880	84.15
ARM RH	V1411-73210	-12356	I-U-10	45 mm	75 mm	KUB-V1411-73880	84.15
	V1411-73212	12357-	I-U-10	45 mm	75 mm	KUB-V1411-73880	84.15
BUCKET	V1411-74110	-12356	I-U-10	35 mm	70 mm	KUB-V1411-74860	81.55
	V1411-74112	12357-	I-U-10	35 mm	70 mm	KUB-V1411-74860	81.55
MODEL SSV75C							
ARM LH	V1411-73110	-12356	I-U-10	45 mm	75 mm	KUB-V1411-73880	84.15
	V1411-73112	12357-	I-U-10	45 mm	75 mm	KUB-V1411-73880	84.15
ARM RH	V1411-73210	-12365	I-U-10	45 mm	75 mm	KUB-V1411-73880	84.15
	V1411-73212	12357-	I-U-10	45 mm	75 mm	KUB-V1411-73880	84.15

KUBOTA

Replacement Kits For

Loaders - Skid Steer							
APPLICATION	CYL #	SERIAL #	CODE	ROD	BORE	KIT #	List \$
MODEL SSV75C							
BUCKET	V1411-74110	-12356	I-U-10	35 mm	70 mm	KUB-V1411-74860	81.55
	V1411-74112	12357-	I-U-10	35 mm	70 mm	KUB-V1411-74860	81.55
Loaders - Track Skid Steer							
APPLICATION	CYL #	SERIAL #	CODE	ROD	BORE	KIT #	List \$
MODEL SVL75							
ARM LH	V0511-73102		P-U-10	40 mm	65 mm	KUB-RC461-71522	117.80
	V0511-73102		Bushing	40 mm		KUB-RC461-71400	13.12
ARM RH	V0511-73202		P-U-10	40 mm	65 mm	KUB-RC461-71522	117.80
	V0511-73202		Bushing	40 mm		KUB-RC461-71400	13.12
BUCKET LH	V0511-74102		P-U-10	40 mm	70 mm	KUB-RD148-71230	129.42
	V0511-74102		Bushing	40 mm		KUB-RC461-71400	13.12
BUCKET RH	V0511-74202		P-U-10	40 mm	70 mm	KUB-RD148-71230	129.42
	V0511-74202		Bushing	40 mm		KUB-RC461-71400	13.12
TRACK ADJUSTER	V0521-24900		TRACK ADJ	50 mm		KUB-SK100201	10.70
MODEL SVL75 C							
ARM LH	V0511-73102		P-U-10	40 mm	65 mm	KUB-RC461-71522	117.80
	V0511-73102		Bushing	40 mm		KUB-RC461-71400	13.12
ARM RH	V0511-73202		P-U-10	40 mm	65 mm	KUB-RC461-71522	117.80
	V0511-73202		Bushing	40 mm		KUB-RC461-71400	13.12
BUCKET LH	V0511-74102		P-U-10	40 mm	70 mm	KUB-RD148-71230	129.42
	V0511-74102		Bushing	40 mm		KUB-RC461-71400	13.12
BUCKET RH	V0511-74202		P-U-10	40 mm	70 mm	KUB-RD148-71230	129.42
	V0511-74202		Bushing	40 mm		KUB-RC461-71400	13.12
TRACK ADJUSTER	V0521-24900		TRACK ADJ	50 mm		KUB-SK100201	10.70
MODEL SVL75-2							
ARM LH	V0511-73102		P-U-10	40 mm	65 mm	KUB-RC461-71522	117.80
	V0511-73102		Bushing	40 mm		KUB-RC461-71400	13.12
ARM RH	V0511-73202		P-U-10	40 mm	65 mm	KUB-RC461-71522	117.80
	V0511-73202		Bushing	40 mm		KUB-RC461-71400	13.12
BUCKET LH	V0511-74102		P-U-10	40 mm	70 mm	KUB-RD148-71230	129.42
	V0511-74102		Bushing	40 mm		KUB-RC461-71400	13.12
BUCKET RH	V0511-74202		P-U-10	40 mm	70 mm	KUB-RD148-71230	129.42
	V0511-74202		Bushing	40 mm		KUB-RC461-71400	13.12
TRACK ADJUSTER	V0521-23500		TRACK ADJ	50 mm		KUB-SK100202	21.54
MODEL SVL75-2C							
ARM LH	V0511-73102		P-U-10	40 mm	65 mm	KUB-RC461-71522	117.80
	V0511-73102		Bushing	40 mm		KUB-RC461-71400	13.12
ARM RH	V0511-73202		P-U-10	40 mm	65 mm	KUB-RC461-71522	117.80
	V0511-73202		Bushing	40 mm		KUB-RC461-71400	13.12
BUCKET LH	V0511-74102		P-U-10	40 mm	70 mm	KUB-RD148-71230	129.42
	V0511-74102		Bushing	40 mm		KUB-RC461-71400	13.12
BUCKET RH	V0511-74202		P-U-10	40 mm	70 mm	KUB-RD148-71230	129.42
	V0511-74202		Bushing	40 mm		KUB-RC461-71400	13.12
TRACK ADJUSTER	V0521-23500		TRACK ADJ	50 mm		KUB-SK100202	21.54
MODEL SVL90							
ARM LH	V0611-73100		P-U-10	45 mm	75 mm	KUB-RC461-71320	120.88
	V0611-73100		Bushing	45 mm		KUB-RC461-71370	24.21
ARM RH	V0611-73200		P-U-10	45 mm	75 mm	KUB-RC461-71320	120.88
	V0611-73200		Bushing	45 mm		KUB-RC461-71370	24.21
BUCKET LH	V0611-74100		P-U-10	40 mm	75 mm	KUB-V0611-74190	133.64
	V0611-74100		Bushing	40 mm		KUB-RC461-71400	13.12
BUCKET RH	V0611-74200		P-U-10	40 mm	75 mm	KUB-V0611-74190	133.64
	V0611-74200		Bushing	40 mm		KUB-RC461-71400	13.12
TRACK ADJUSTER	V0611-23500		TRACK ADJ	60 mm		KUB-SK100203	12.13

KUBOTA

Replacement Kits For

KUBOTA

Loaders - Track Skid Steer

APPLICATION	CYL #	SERIAL #	CODE	ROD	BORE	KIT #	List \$
MODEL SVL90 C							
ARM LH	V0611-73100		P-U-10	45 mm	75 mm	KUB-RC461-71320	120.88
	V0611-73100		Bushing	45 mm		KUB-RC461-71370	24.21
ARM RH	V0611-73200		P-U-10	45 mm	75 mm	KUB-RC461-71320	120.88
	V0611-73200		Bushing	45 mm		KUB-RC461-71370	24.21
BUCKET LH	V0611-74100		P-U-10	40 mm	75 mm	KUB-V0611-74190	133.64
	V0611-74100		Bushing	40 mm		KUB-RC461-71400	13.12
BUCKET RH	V0611-74200		P-U-10	40 mm	75 mm	KUB-V0611-74190	133.64
	V0611-74200		Bushing	40 mm		KUB-RC461-71400	13.12
TRACK ADJUSTER	V0611-23500		TRACK ADJ	60 mm		KUB-SK100203	12.13
MODEL SVL90-2							
ARM LH	V0611-73100		P-U-10	45 mm	75 mm	KUB-RC461-71320	120.88
	V0611-73100		Bushing	45 mm		KUB-RC461-71370	24.21
ARM RH	V0611-73200		P-U-10	45 mm	75 mm	KUB-RC461-71320	120.88
	V0611-73200		Bushing	45 mm		KUB-RC461-71370	24.21
BUCKET LH	V0611-74100		P-U-10	40 mm	75 mm	KUB-V0611-74190	133.64
	V0611-74100		Bushing	40 mm		KUB-RC461-71400	13.12
BUCKET RH	V0611-74200		P-U-10	40 mm	75 mm	KUB-V0611-74190	133.64
	V0611-74200		Bushing	40 mm		KUB-RC461-71400	13.12
TRACK ADJUSTER	V0611-23500		TRACK ADJ	60 mm		KUB-SK100203	12.13
MODEL SVL90-2C							
ARM LH	V0611-73100		P-U-10	45 mm	75 mm	KUB-RC461-71320	120.88
	V0611-73100		Bushing	45 mm		KUB-RC461-71370	24.21
ARM RH	V0611-73200		P-U-10	45 mm	75 mm	KUB-RC461-71320	120.88
	V0611-73200		Bushing	45 mm		KUB-RC461-71370	24.21
BUCKET LH	V0611-74100		P-U-10	40 mm	75 mm	KUB-V0611-74190	133.64
	V0611-74100		Bushing	40 mm		KUB-RC461-71400	13.12
BUCKET RH	V0611-74200		P-U-10	40 mm	75 mm	KUB-V0611-74190	133.64
	V0611-74200		Bushing	40 mm		KUB-RC461-71400	13.12
TRACK ADJUSTER	V0611-23500		TRACK ADJ	60 mm		KUB-SK100203	12.13
MODEL SVL95-2S							
ARM (LH)	V0611-73100		P-U-10	45 mm	75 mm	KUB-RC461-71320	120.88
ARM (RH)	V0611-73200		P-U-10	45 mm	75 mm	KUB-RC461-71320	120.88
BUCKET (LH)	V0631-74100		P-U-10	40 mm	75 mm	KUB-V0611-74190	133.64
BUCKET (RH)	V0631-74200		P-U-10	40 mm	75 mm	KUB-V0611-74190	133.64
MODEL SVL95-2SC							
ARM (LH)	V0611-73100		P-U-10	45 mm	75 mm	KUB-RC461-71320	120.88
ARM (RH)	V0611-73200		P-U-10	45 mm	75 mm	KUB-RC461-71320	120.88
BUCKET (LH)	V0631-74100		P-U-10	40 mm	75 mm	KUB-V0611-74190	133.64
BUCKET (RH)	V0631-74200		P-U-10	40 mm	75 mm	KUB-V0611-74190	133.64

KUBOTA

REPLACEMENT KITS FOR KUBOTA EQUIPMENT

KUBOTA

Kit Number	Code (Pg. xiv)	Rod X Bore Size	List Price
KUB-08511-03220	Bushing	32 mm	\$7.26
KUB-3C091-63820	P-U-10	32 X 55 mm	174.40
KUB-3C091-63940	Bushing	32 mm	7.26
KUB-68191-91020	P-U-10	30 X 55 mm	100.56
KUB-68271-99300	I-U-5	50 X 80 mm	201.93
KUB-68271-99400	I-U-5	55 X 90 mm	217.49
KUB-68271-99500	I-U-5	50 X 80 mm	201.93
KUB-68271-99600	I-U-5	55 X 100 mm	228.51
KUB-68271-99800	I-U-5	45 X 80 mm	199.71
KUB-68301-91050	P-U-10	45 X 90 mm	182.26
KUB-68311-91010	P-U-10	40 X 80 mm	192.38
KUB-68493-91020	P-U-10	65 X 120 mm	246.06
KUB-68493-91030	P-U-10	55 X 90 mm	141.75
KUB-68493-91040	P-U-10	50 X 80 mm	122.60
KUB-68493-91050	P-U-10	60 X 110 mm	304.31
KUB-68499-91010	P-U-10	55 X 100 mm	221.93
KUB-68511-91010	P-U-10	30 X 55 mm	322.02
KUB-68511-91110	I-U-10	30 X 55 mm	78.73
KUB-68511-91120	I-U-10	35 X 70 mm	85.26
KUB-68541-91010	I-U-10	40 X 80 mm	386.66
KUB-68581-91020	P-U-10	45 X 90 mm	176.03
KUB-68581-91030	P-U-10	45 X 80 mm	180.93
KUB-68651-91020	P-U-10	45 X 90 mm	112.07
KUB-68651-91030	P-U-10	45 X 80 mm	198.78
KUB-68721-91110	I-U-5	30 X 50 mm	63.48
KUB-68721-91130	I-U-10	30 X 50 mm	76.99
KUB-68721-91160	I-U-10	35 X 65 mm	133.16
KUB-68741-91010	P-UB-10	45 X 70 mm	211.49
KUB-68741-91020	P-U-10	40 X 80 mm	106.52
KUB-68761-91040	P-UB-10	45 X 70 mm	185.88
KUB-68761-91050	P-UB-10	45 X 90 mm	220.02
KUB-68761-91060	P-U-10	40 X 70 mm	90.61
KUB-68761-91120	P-U-10	45 X 90 mm	482.37
KUB-68761-91130	P-UB-10	45 X 80 mm	418.41
KUB-68761-91150	P-UB-10	45 X 90 mm	472.85
KUB-68811-93070	P-UB-10	40 X 70 mm	225.17
KUB-68861-93300	P-U-10	40 X 70 mm	90.61
KUB-69191-72202	I-U-10	25 X 50 mm	108.68
KUB-69191-72302	I-U-10	35 X 60 mm	108.68
KUB-69191-72400	I-U-10	30 X 50 mm	88.78
KUB-69191-72500	P-U-10	30 X 55 mm	110.24
KUB-69441-91110	P-U-10	45 X 75 mm	153.88
KUB-69461-91110	P-U-10	45 X 90 mm	187.25
KUB-69521-91110	P-U-10	30 X 55 mm	90.27
KUB-69521-91130	P-U-10	30 X 55 mm	90.81
KUB-69561-91110	P-U-10	40 X 80 mm	102.09
KUB-69561-91120	P-U-10	40 X 70 mm	139.16
KUB-69721-91110	I-U-10	30 X 55 mm	31.02
KUB-69741-91110	I-U-10	40 X 70 mm	117.40
KUB-69741-91120	I-U-10	45 X 90 mm	47.68
KUB-69781-91110	I-U-10	45 X 80 mm	117.40
KUB-75597-52300	I-U-10	40 X 75 mm	94.30
KUB-7J053-63400	I-U-10	25 X 45 mm	56.57

Kit Number	Code (Pg. xiv)	Rod X Bore Size	List Price
KUB-7J056-63400	I-U-10	25 X 45 mm	\$57.04
KUB-7J273-63400	I-U-10	30 X 45 mm	113.51
KUB-7J275-64900	I-U-10	35 X 55 mm	94.20
KUB-7J291-64400	I-U-10	30 X 50 mm	75.59
KUB-7J419-63410	I-U-10	40 X 70 mm	112.12
KUB-7J808-64400	I-U-10	35 X 60 mm	82.19
KUB-7K500-13300	I-U-10	35 X 60 mm	48.42
KUB-7K505-22300	I-U-10	40 X 80 mm	79.00
KUB-7K505-43300	I-U-10	40 X 65 mm	84.31
KUB-7K505-52300	I-U-10	40 X 75 mm	98.94
KUB-7K506-32300	I-U-10	30 X 65 mm	46.87
KUB-7K506-43300	I-U-10	30 X 55 mm	57.31
KUB-7K522-32300	I-U-10	25 X 60 mm	86.68
KUB-7K525-13300	I-U-10	30 X 60 mm	101.02
KUB-7K525-22300	I-U-10	30 X 65 mm	92.46
KUB-MT310-10952	P-U-10	40 X 80 mm	167.31
KUB-MT310-11950	P-U-10	45 X 90 mm	202.29
KUB-MT310-12950	P-U-10	40 X 65 mm	151.37
KUB-MT310-14950	P-U-10	45 X 75 mm	212.64
KUB-MT310-20952	P-U-10	45 X 80 mm	174.50
KUB-MT310-21950	P-U-10	50 X 90 mm	213.45
KUB-MT310-21980	P-U-10	50 X 90 mm	194.02
KUB-MT310-22950	P-U-10	40 X 70 mm	275.59
KUB-MT310-22980	P-U-10	40 X 70 mm	186.61
KUB-MT310-25950	P-U-10	30 X 55 mm	169.46
KUB-RB101-91020	P-U-10	30 X 55 mm	136.13
KUB-RB201-91010	P-U-10	30 X 55 mm	96.31
KUB-RB201-91030	P-U-10	35 X 70 mm	96.31
KUB-RB201-91050	P-U-10	35 X 60 mm	136.43
KUB-RB411-71550	P-U-10	40 X 65 mm	123.44
KUB-RB411-71870	P-U-10	35 X 60 mm	200.98
KUB-RB511-71470	P-U-10	40 X 70 mm	201.17
KUB-RB511-71550	P-U-10	40 X 70 mm	159.87
KUB-RB511-71670	P-U-10	45 X 90 mm	100.22
KUB-RB511-71790	P-U-10	35 X 65 mm	188.52
KUB-RB511-75650	P-U-10	45 X 90 mm	224.34
KUB-RC461-71320	P-U-10	45 X 75 mm	120.88
KUB-RC461-71522	P-U-10	40 X 65 mm	117.80
KUB-RC561-71320	P-U-10	50 X 85 mm	143.86
KUB-RD118-71270	P-U-10	45 X 80 mm	169.43
KUB-RD118-71350	P-U-10	30 X 55 mm	103.02
KUB-RD118-71400	P-U-10	50 X 85 mm	134.42
KUB-RD118-71640	P-U-10	45 X 75 mm	169.10
KUB-RD118-71870	P-U-10	55 X 95 mm	207.58
KUB-RD148-71230	P-U-10	40 X 70 mm	129.42
KUB-RD158-71690	P-U-10	45 X 75 mm	125.25
KUB-RD358-71330	P-U-10	35 X 65 mm	95.23
KUB-RD411-71820	P-U-10	40 X 70 mm	162.32
KUB-RD511-71270	P-U-10	50 X 90 mm	170.43
KUB-RD511-71490	P-U-10	55 X 95 mm	137.78
KUB-RD511-71820	P-U-10	45 X 75 mm	125.81
KUB-RD511-71870	P-U-10	55 X 105 mm	252.34
KUB-RD518-71640	P-U-10	50 X 85 mm	127.88

REPLACEMENT KITS FOR KUBOTA EQUIPMENT

KUBOTA

Kit Number	Code (Pg. xiv)	Rod X Bore Size	List Price
KUB-RD548-71130	P-U-10	50 X 90 mm	\$236.55
KUB-RD548-71330	P-U-10	55 X 105 mm	320.07
KUB-RD551-71490	P-UB-10	55 X 95 mm	119.83
KUB-RD551-71642	P-UB-10	55 X 85 mm	118.22
KUB-RD551-71643	P-UB-10	55 X 85 mm	182.63
KUB-RD551-71820	P-UB-10	45 X 75 mm	95.68
KUB-RD551-71930	P-U-10	60 X 110 mm	150.40
KUB-RD809-71870	P-U-10	55 X 90 mm	77.61
KUB-RD809-72050	P-U-10	65 X 115 mm	111.54
KUB-RD809-72090	P-U-10	60 X 100 mm	60.54
KUB-RD809-72380	P-U-10	60 X 110 mm	272.31
KUB-RD809-72450	P-U-10	65 X 125 mm	168.76
KUB-RD819-72452	P-U-10	65 X 125 mm	159.40
KUB-RD819-72700	P-U-10	45 X 80 mm	96.17
KUB-RD829-71870	P-U-10	55 X 90 mm	220.35
KUB-RD829-72050	P-UB-10	65 X 115 mm	286.85
KUB-RG038-67680	I-U-10	30 X 55 mm	106.76
KUB-RG058-67680	P-U-10	30 X 55 mm	84.53
KUB-RG138-67780	P-U-10	30 X 60 mm	114.39
KUB-RG158-67580	I-U-10	30 X 60 mm	96.81
KUB-RG158-67680	I-U-10	35 X 60 mm	91.60
KUB-RG158-75180	P-U-10	30 X 65 mm	88.27
KUB-RG208-94310	P-U-10	40 X 80 mm	108.38
KUB-RG208-94410	P-U-10	40 X 80 mm	37.14
KUB-RG718-67300	I-U-10	50 X 85 mm	189.07
KUB-RG718-67700	I-U-10	45 X 75 mm	89.24
KUB-RG718-75200	I-U-10	55 X 95 mm	100.45

Kit Number	Code (Pg. xiv)	Rod X Bore Size	List Price
KUB-RG719-67900	P-U-10	40 X 70 mm	\$48.31
KUB-RP321-71320	P-U-10	45 X 80 mm	133.85
KUB-SK100197	I-U-10	25 X 40 mm	85.94
KUB-SK100200	P-U-10	35 X 55	117.86
KUB-SK100201	TRACK ADJ	50	10.70
KUB-SK100202	TRACK ADJ	50	21.54
KUB-SK100203	TRACK ADJ	60	12.13
KUB-SK100204	TRACK ADJ	TRACK ADJ	21.57
KUB-TC432-37950	P-U-10	35 X 55 mm	138.29
KUB-TC650-39950	P-U-10	32 X 50	122.22
KUB-TC650-39950	P-U-10	32 X 50 mm	122.22
KUB-TD060-37920	Bushing	35 mm	9.65
KUB-TD060-37950	P-U-10	35 X 55 mm	128.32
KUB-V0611-74190	P-U-10	40 X 75	133.64
KUB-V1311-73880	I-U-10	40 mm X 65 mm	118.54
KUB-V1311-74860	I-U-10	35 mm X 65 mm	109.14
KUB-V1411-73880	I-U-10	45 X 75 mm	84.15
KUB-V1411-74860	I-U-10	35 X 70 mm	81.55
KUB-YW181-95220	P-U-10	30 X 65 mm	115.16
KUB-YW182-95310	I-U-10	35 X 60 mm	112.61
KUB-YW389-97510	P-U-1	35 mm	71.01
KUB-YW397-97510	P-U-10	32 X 50 mm	171.26
KUB-YW415-96510	P-U-10	50 X 90	102.75
KUB-YW423-95210	I-U-10	30 X 65 mm	71.24

REPLACEMENT PARTS FOR KUBOTA EQUIPMENT

Repair parts for Kubota are available online at www.HerculesUS.com or by contacting the Hercules Sales Team at the information provided below.

Scan the QR code for quick access.



LEACH

Repair parts for Leach are available online at www.HerculesUS.com or by contacting the Hercules Sales Team at the information provided below.

Replacement Kits For

LeTourneau

Wheel Dozers/Loaders

APPLICATION	CYL #	CODE	ROD	BORE	KIT #	List \$
MODEL L2350						
BUCKET	R4278414	SK-I-UB-14	7	12-1/2	LTO-R4246388	2457.08
LIFT	R4241002	SK-I-UB-14	8	16	LTO-R4246394	4311.66
STEERING	R4271204	SK-P-UB-10	4-1/2	9-1/2	LTO-R4273370	2227.70

REPLACEMENT KITS FOR LETOURNEAU

NOTE: Letourneau part numbers are used as a reference only. We do not imply that these kits are original REPLACEMENT PARTS.

Kit Number	Code (Pg. xxii)	Rod X Bore Size	List Price
LTO-R4246388	I-UB-14	7 X 12-1/2	\$2457.08
LTO-R4246394	I-UB-14	8 X 16	4311.66

Kit Number	Code (Pg. xxii)	Rod X Bore Size	List Price
LTO-R4273370	P-UB-10	4-1/2 X 9-1/2	\$2227.70

REPLACEMENT SEAL KITS FOR LIEBHERR EQUIPMENT*

Replacement Seal Kits By Machine Type

Table of Contents

Machine Type	Page
Excavators R900 C-LI, R900 C HD-S LI, R900 C HD-SL LI, R904 C-LI, R904 C HD-SL 2000 LI, R904 C-HD-SL 2250LI, R912 HD-SL, R912 LC, R914 B, R914 B HD-S, R914 B HD-SL, R924 B HD-SL LI, R924 Compact , R932 EW, R932 HD-SL, R934 B, R934 C, R934 EW, R934 HD-SL, R934 C HD-S, R934 C HD-SL, R942HD-SL, R944 B, R944 C, R944 HD-SL, R954 B, R954 C, R954 HD, R964 C	988 - 992
Excavators - Wheel A309 LI, A311 LI, A312 LI, A314 LI, A316 LI, A900 C-LI, A904 C-LI	992 - 995
Loaders - Wheel L506 Stereo, L507 Stereo, L508 Stereo, L509 Stereo, L538, L538 (Z-bar), L544, L556 2plus2, L556 2plus2 High Lift, L564, L566 2plus2, L566 2plus2 High Lift	995 - 996
Off-Highway Trucks KL2420	996
Alpha-Numeric Kit Listing	997
Liebherr Individual Parts	Found Online

LIEBHERR

All manufacturer's names, part numbers and descriptions are used for reference purposes only. We do not imply that any part shown is the product of these manufacturers. We also do not imply that the list price shown is exactly that of the manufacturer.

LIEBHERR

Replacement Kits For

Excavators						
APPLICATION	MISC:	CODE	ROD	BORE	KIT #	List \$
MODEL R900 C-LI, R900 C HD-S LI, R900 C HD-SL LI						
Boom Adj (Hyd Adj)		N-N-10		140 mm	LBH-9165363	559.26
Boom Lift (Hyd Adj & Std)		I-BB-1	70 mm		LBH-9172122	164.18
		N-N-10		120 mm	LBH-9172577	261.05
Boom Lift (Ind Boom)		I-BB-1	85 mm		LBH-9158175	230.38
		N-N-10		125 mm	LBH-9060977	260.90
Boom Offset	100mm Bore Cyl	I-BB-1	50 mm		LBH-9062932	87.85
	90mm Bore Cyl	I-BB-1	50 mm		LBH-9061030	162.07
	90mm Bore Cyl	N-N-10		90 mm	LBH-9061380	150.77
Bucket (2.25m, 2.45m, 2.65m Stick)		I-BB-1	70 mm		LBH-9172117	272.47
		N-N-10		100 mm	LBH-9174200	223.62
Bucket (5.2m Stick)		I-BB-1	60 mm		LBH-9061404	186.13
		N-N-10		90 mm	LBH-9061380	150.77
Dozer Blade		N-N-10		130 mm	LBH-9111341	286.57
Stick		N-N-10		130 mm	LBH-9171671	260.28
Swivel Rotary (C-LI)		I-BB-1	95 mm		LBH-9265132	4556.66
Swivel Rotary (HDS & HD-SL)		I-BB-1	95 mm		LBH-9144401	854.30
MODEL R904 C-LI, R904 C HD-SL 2000 LI, R904 C-HD-SL 2250 LI						
Boom Adj (Hyd Adj)		I-BB-1	80 mm		LBH-9063173	458.27
		N-N-10		140 mm	LBH-9165363	559.26
Boom Lift (Hyd Adj)		I-BB-1	85 mm		LBH-9060195	231.39
		N-N-10		130 mm	LBH-9171671	260.28
Boom Offset		I-BB-1	50 mm		LBH-9061030	162.07
		N-N-10		90 mm	LBH-9061380	150.77
Bucket		I-BB-1	80 mm		LBH-9172118	471.11
		N-N-10		120 mm	LBH-9172577	261.05
Bucket (Ditch Clean)	1700mm	I-BB-1	50 mm		LBH-9061030	162.07
	1700mm	N-N-10		90 mm	LBH-9061380	150.77
Stick (Hyd Adj Boom)		I-BB-1	85 mm		LBH-9060195	231.39
		N-N-10		130 mm	LBH-9171671	260.28
Stick (Ind Boom)		I-BB-1	80 mm		LBH-9172118	471.11
		N-N-10		120 mm	LBH-9172577	261.05
Stick (Lat Adj Boom)		I-BB-1	85 mm		LBH-9060195	231.39
		N-N-10		130 mm	LBH-9171671	260.28
Stick (Std Boom)		N-N-10		130 mm	LBH-9171671	260.28
Swivel Rotary		I-BB-1	95 mm		LBH-9144401	854.30
MODEL R912 HD-SL, R912 LC						
Boom Lift		I-BB-1	85 mm		LBH-9060195	231.39
		N-N-10		130 mm	LBH-9171671	260.28
Boom Lift (Hyd Adj)		I-BB-1	90 mm		LBH-9060196	341.27
		N-N-10		140 mm	LBH-9165363	559.26
Boom Lift (Std & Ind Boom)		I-BB-1	85 mm		LBH-9158175	230.38
		N-N-10		125 mm	LBH-9060977	260.90
Bucket (5.5m Stick)		I-BB-1	80 mm		LBH-9172118	471.11
		N-N-10		120 mm	LBH-9172577	261.05
Bucket (Std)		I-BB-1	85 mm		LBH-9158175	230.38
		N-N-10		125 mm	LBH-9060977	260.90
Stick (4.0m, 5.0m, 5.65m, 7.2m Std Boom)		I-BB-1	95 mm		LBH-9060197	284.89
		N-N-10		140 mm	LBH-9165363	559.26
Stick (6.8m Std Boom)		I-BB-1	85 mm		LBH-9158175	230.38
		N-N-10		125 mm	LBH-9060977	260.90
Stick (9.7m LR)		I-BB-1	85 mm		LBH-9158175	230.38
		N-N-10		125 mm	LBH-9060977	260.90
Swivel Rotary		I-BB-1	95 mm		LBH-9144401	854.30
MODEL R914 B, R914 B HD-S, R914 B HD-SL						
Boom Adj (Hyd Adj)		N-N-10		160 mm	LBH-9154141	358.18
Boom Lift	130mm Bore Cyl	I-BB-1	85 mm		LBH-9060195	231.39
	130mm Bore Cyl	N-N-10		130 mm	LBH-9171671	260.28

LIEBHERR

Replacement Kits For

LIEBHERR

Excavators						
APPLICATION	MISC:	CODE	ROD	BORE	KIT #	List \$
MODEL R914 B, R914 B HD-S, R914 B HD-SL						
Boom Lift	140mm Bore Cyl	I-BB-1	90 mm		LBH-9060196	341.27
	140mm Bore Cyl	N-N-10		140 mm	LBH-9165363	559.26
	150mm Bore Cyl	I-BB-1	95 mm		LBH-9062534	482.57
	150mm Bore Cyl	N-N-10		150 mm	LBH-9165440	600.16
Boom Offset		I-BB-1	50 mm		LBH-9061030	162.07
		N-N-10		90 mm	LBH-9061380	150.77
Bucket (1.8m, 2.4m, 2.7m, 3m, 3.7m, 5.0m, 5.2m Stick)		I-BB-1	85 mm		LBH-9060195	231.39
		N-N-10		130 mm	LBH-9171671	260.28
Bucket (2.1m, 2.4m, 2.7m, 3m, 3.7m Stick)		I-BB-1	85 mm		LBH-9158175	230.38
		N-N-10		125 mm	LBH-9060977	260.90
Bucket (5.0m Ind Stick)		I-BB-1	80 mm		LBH-9172118	471.11
		N-N-10		120 mm	LBH-9172577	261.05
Bucket (5.2m, 6.0m, 6.8m Stick)		I-BB-1	80 mm		LBH-9172118	471.11
		N-N-10		120 mm	LBH-9172577	261.05
Bucket (7.4m LR Stick)		I-BB-1	60 mm		LBH-9061404	186.13
		N-N-10		90 mm	LBH-9061380	150.77
Dozer Blade		N-N-10		130 mm	LBH-9111341	286.57
Stick (4.0m Hyd Adj Boom)	140mm Bore Cyl	I-BB-1	95 mm		LBH-9060197	284.89
	140mm Bore Cyl	N-N-10		140 mm	LBH-9165363	559.26
	s/n -13609	I-BB-1	105 mm		LBH-9158311	353.67
	s/n -13609	N-N-10		150 mm	LBH-9165440	600.16
	s/n 13610-	I-BB-1	105 mm		LBH-9158311	353.67
	s/n 13610-	N-N-10		150 mm	LBH-9165440	600.16
Stick (5.0m, 5.5m Hyd Adj Boom)	140mm Bore Cyl	N-N-10		140 mm	LBH-9165363	559.26
	150mm Bore Cyl	I-BB-1	105 mm		LBH-9158311	353.67
	150mm Bore Cyl	N-N-10		150 mm	LBH-9165440	600.16
Stick (5.0m, 5.7m, 7.2m, 7.6m, 8.2m Std Boom)		N-N-10		140 mm	LBH-9165363	559.26
Stick (5.6m Ind Boom)		I-BB-1	80 mm		LBH-9172118	471.11
		N-N-10		120 mm	LBH-9172577	261.05
Stick (5.7m, 8.2m, 9.0m Std Boom)		I-BB-1	105 mm		LBH-9158311	353.67
		N-N-10		150 mm	LBH-9165440	600.16
		N-N-10		140 mm	LBH-9165363	559.26
Stick (6.0m Std Boom)	s/n -13679	N-N-10		140 mm	LBH-9165363	559.26
	s/n 13680-	I-BB-1	105 mm		LBH-9158311	353.67
	s/n 13680-	N-N-10		150 mm	LBH-9165440	600.16
Stick (6.5m, 6.8m Ind Boom)		I-BB-1	85 mm		LBH-9158175	230.38
		N-N-10		125 mm	LBH-9060977	260.90
Stick (Lat Adj Boom)		I-BB-1	95 mm		LBH-9060197	284.89
		N-N-10		140 mm	LBH-9165363	559.26
Swivel Rotary		I-BB-1	95 mm		LBH-9144401	854.30
MODEL R924 B HD-SL LI						
Boom Adj (Hyd Adj)		N-N-10		160 mm	LBH-9154141	358.18
Boom Lift	130mm Bore Cyl	I-BB-1	85 mm		LBH-9060195	231.39
	130mm Bore Cyl	N-N-10		130 mm	LBH-9171671	260.28
	140mm Bore Cyl	I-BB-1	90 mm		LBH-9060196	341.27
	140mm Bore Cyl	N-N-10		140 mm	LBH-9165363	559.26
	150mm Bore Cyl	I-BB-1	95 mm		LBH-9062534	482.57
	150mm Bore Cyl	N-N-10		150 mm	LBH-9165440	600.16
Bucket (3.2m Ind Stick)		I-BB-1	105 mm		LBH-9061003	324.02
		N-N-10		160 mm	LBH-9154141	358.18
Bucket (3.7m FS Stick)		I-BB-1	85 mm		LBH-9158175	230.38
		N-N-10		125 mm	LBH-9060977	260.90
Bucket (4.0m, 5.0m Ind Stick)		I-BB-1	80 mm		LBH-9172118	471.11
Bucket (7.4m LR Stick)		I-BB-1	60 mm		LBH-9061404	186.13
		N-N-10		90 mm	LBH-9061380	150.77
Clam 10B		I-BB-1	60 mm		LBH-9114673	140.34
		N-N-10		85 mm	LBH-9113351	164.09

LIEBHERR

LIEBHERR

Replacement Kits For

Excavators						
APPLICATION	MISC:	CODE	ROD	BORE	KIT #	List \$
MODEL R924 B HD-SL LI						
Clam 70C		I-BB-1	50 mm		LBH-9155154	260.06
		N-N-10		70 mm	LBH-9063464	85.88
Stick (4.0m Hyd Adj Boom)	s/n -13609	I-BB-1	95 mm		LBH-9060197	284.89
	s/n -13609	N-N-10		140 mm	LBH-9165363	559.26
	s/n 13610-	I-BB-1	105 mm		LBH-9158311	353.67
	s/n 13610-	N-N-10		150 mm	LBH-9179503	285.00
Stick (5.0m, 5.5m Hyd Adj Boom)	140mm Bore Cyl	I-BB-1	95 mm		LBH-9060197	284.89
	140mm Bore Cyl	N-N-10		140 mm	LBH-9165363	559.26
	150mm Bore Cyl	I-BB-1	105 mm		LBH-9158311	353.67
	150mm Bore Cyl	N-N-10		150 mm	LBH-9179503	285.00
Stick (5.0m, 5.7m, 6.0m, 7.6m, 8.2m Std Boom)		I-BB-1	95 mm		LBH-9060197	284.89
		N-N-10		140 mm	LBH-9165363	559.26
Stick (5.7m, 5.9m, 6.0m, 8.2m, 9.0m Std Boom)		I-BB-1	105 mm		LBH-9158311	353.67
		N-N-10		150 mm	LBH-9179503	285.00
Stick (Ind Boom)	6.8m & 7.8m Boom	I-BB-1	85 mm		LBH-9158175	230.38
	6.8m & 7.8m Boom	N-N-10		125 mm	LBH-9060977	260.90
Stick (LR)		I-BB-1	85 mm		LBH-9060195	231.39
		N-N-10		130 mm	LBH-9171671	260.28
Swivel Rotary		I-BB-1	95 mm		LBH-9144401	854.30
MODEL R924 Compact						
Boom Adj (Hyd Adj)		N-N-10		160 mm	LBH-9154141	358.18
Boom Lift		I-BB-1	90 mm		LBH-9172119	283.17
		N-N-10		130 mm	LBH-9171671	260.28
Boom Offset		I-BB-1	50 mm		LBH-9061030	162.07
		N-N-10		90 mm	LBH-9061380	150.77
Bucket		I-BB-1	80 mm		LBH-9172118	471.11
		N-N-10		120 mm	LBH-9172577	261.05
Stick		I-BB-1	95 mm		LBH-9060197	284.89
		N-N-10		140 mm	LBH-9165363	559.26
Swivel Rotary	198 Litronic	I-BB-1	95 mm		LBH-9265132	4556.66
	911 Litronic	I-BB-1	95 mm		LBH-9144401	854.30
MODEL R932 EW, R932 HD-SL						
Boom Adj (Hyd Adj)	160mm Bore Cyl	I-BB-1	105 mm		LBH-9061003	324.02
	160mm Bore Cyl	N-N-10		160 mm	LBH-9154141	358.18
	180mm Bore Cyl	N-N-10		180 mm	LBH-9169654	787.66
Boom Lift		I-BB-1	95 mm		LBH-9060197	284.89
		N-N-10		140 mm	LBH-9165363	559.26
Bucket (1.9m Stick)		I-BB-1	95 mm		LBH-9060197	284.89
		N-N-10		140 mm	LBH-9165363	559.26
Stick (4.0m Hyd Adj Boom)		I-BB-1	105 mm		LBH-9158311	353.67
		N-N-10		150 mm	LBH-9156782	277.42
Swivel Rotary		I-BB-1	95 mm		LBH-9144401	854.30
MODEL R934 B, R934 C, R934 EW, R934 HD-SL						
Boom Lift		I-BB-1	95 mm		LBH-9062534	482.57
		N-N-10		150 mm	LBH-9165440	600.16
Boom Lift (Ind Boom)		I-BB-1	105 mm		LBH-9158311	353.67
		N-N-10		150 mm	LBH-9156782	277.42
Bucket (3.0m Stick)		I-BB-1	80 mm		LBH-9172118	471.11
		N-N-10		120 mm	LBH-9172577	261.05
Bucket (4.8m Ind Stick)		I-BB-1	70 mm		LBH-9062256	166.34
		N-N-10		125 mm	LBH-9060977	260.90
Bucket (5.2m Demolition)		I-BB-1	85 mm		LBH-9060195	231.39
		N-N-10		130 mm	LBH-9171671	260.28
Bucket (8.8m, 7.5m LR Stick)		I-BB-1	70 mm		LBH-9172117	272.47
		N-N-10		100 mm	LBH-9174200	223.62
Stick (10.0m LR)		I-BB-1	90 mm		LBH-9060196	341.27
		N-N-10		140 mm	LBH-9165363	559.26

LIEBHERR

LIEBHERR

Replacement Kits For

Excavators						
APPLICATION	MISC:	CODE	ROD	BORE	KIT #	List \$
MODEL R934 B, R934 C, R934 EW, R934 HD-SL						
Stick (11.5m LR)		I-BB-1	95 mm		LBH-9060197	284.89
		N-N-10		140 mm	LBH-9165363	559.26
Stick (4.0m, 5.2m, 6.2m Hyd Adj Boom)		I-BB-1	105 mm		LBH-9158311	353.67
		N-N-10		150 mm	LBH-9165440	600.16
Stick (7.0m Ind Boom)		I-BB-1	95 mm		LBH-9060197	284.89
		N-N-10		140 mm	LBH-9165363	559.26
Stick (Std Boom)		I-BB-1	105 mm		LBH-9158311	353.67
		N-N-10		150 mm	LBH-9165440	600.16
Swivel Rotary		I-BB-1	95 mm		LBH-9144401	854.30
MODEL R934 C HD-S, R934 C HD-SL						
Boom Adj (Hyd Adj)		I-BB-1	110 mm		LBH-9158144	675.93
		N-N-10		180 mm	LBH-9169654	787.66
Boom Lift		I-BB-1	95 mm		LBH-9062534	482.57
		N-N-10		150 mm	LBH-9165440	600.16
Boom Lift (Ind Boom)		I-BB-1	100 mm		LBH-9596597	400.44
		N-N-10		150 mm	LBH-9165440	600.16
Bucket (3.1m Stick)		I-BB-1	85 mm		LBH-9060195	231.39
		N-N-10		130 mm	LBH-9171671	260.28
Bucket (3.6m Ind Stick)		I-BB-1	110 mm		LBH-9158144	675.93
		N-N-10		170 mm	LBH-9062821	475.65
Bucket (4.8m Ind Stick)		I-BB-1	70 mm		LBH-9062256	166.34
		N-N-10		125 mm	LBH-9060977	260.90
Bucket (Ditch Clean)	2400mm 1.15M3 (2x45° Adj)	I-BB-1	50 mm		LBH-9155154	260.06
Clam 65		I-BB-1	50 mm		LBH-9155154	260.06
		N-N-10		70 mm	LBH-9063464	85.88
Stick (4.2m Hyd Adj Boom)		I-BB-1	105 mm		LBH-9061003	324.02
		N-N-10		160 mm	LBH-9154141	358.18
Stick (5.2m Hyd Adj Boom)		I-BB-1	105 mm		LBH-9158311	353.67
		N-N-10		150 mm	LBH-9179503	285.00
Stick (Ind Boom)		I-BB-1	95 mm		LBH-9060197	284.89
		N-N-10		140 mm	LBH-9165363	559.26
Stick (Std Boom)		I-BB-1	105 mm		LBH-9158311	353.67
		N-N-10		150 mm	LBH-9179503	285.00
Swivel Rotary		I-BB-1	95 mm		LBH-9144401	854.30
MODEL R942 HD-SL						
Boom Lift		I-BB-1	105 mm		LBH-9158311	353.67
		N-N-10		150 mm	LBH-9156782	277.42
Bucket (2.1m, 2.6m, 3.3m, 4.1m Stick)		I-BB-1	105 mm		LBH-9158311	353.67
		N-N-10		150 mm	LBH-9156782	277.42
Bucket (4.8m Stick)		I-BB-1	95 mm		LBH-9060197	284.89
		N-N-10		140 mm	LBH-9165363	559.26
Stick (4.5m, 5.5m, 6.0m Stick)		N-N-10		160 mm	LBH-9154141	358.18
Stick (6.3m Std Boom)		I-BB-1	105 mm		LBH-9061003	324.02
		N-N-10		160 mm	LBH-9154141	358.18
Stick (7.7m, 9.0m, 10.5m Ind Boom)		I-BB-1	105 mm		LBH-9158311	353.67
		N-N-10		150 mm	LBH-9156782	277.42
Swivel Rotary		I-BB-1	95 mm		LBH-9144401	854.30
MODEL R944 B, R944 C, R944 HD-SL						
Boom Lift		I-BB-1	105 mm		LBH-9061003	324.02
		N-N-10		160 mm	LBH-9154141	358.18
Bucket (2.1m Stick)		I-BB-1	105 mm		LBH-9061003	324.02
		N-N-10		160 mm	LBH-9154141	358.18
Bucket (2.6m, 3.3m, 4.1m Stick)		I-BB-1	105 mm		LBH-9158311	353.67
		N-N-10		150 mm	LBH-9156782	277.42
Bucket (4.0m Stick)		I-BB-1	80 mm		LBH-9172118	471.11
		N-N-10		120 mm	LBH-9172577	261.05
Bucket (4.1m Curved Stick)		I-BB-1	105 mm		LBH-9158311	353.67
		N-N-10		150 mm	LBH-9156782	277.42

LIEBHERR

LIEBHERR

Replacement Kits For

Excavators						
APPLICATION	MISC:	CODE	ROD	BORE	KIT #	List \$
MODEL R944 B, R944 C, R944 HD-SL						
Bucket (4.1m Stick)		I-BB-1	105 mm		LBH-9061003	324.02
		N-N-10		160 mm	LBH-9154141	358.18
Bucket (5.5m Curved Stick)		I-BB-1	95 mm		LBH-9060197	284.89
		N-N-10		140 mm	LBH-9165363	559.26
Stick (6.3m, 7.5m, 10.4m Std Boom)		I-BB-1	110 mm		LBH-9063688	377.03
		N-N-10		160 mm	LBH-9154141	358.18
Swivel Rotary		I-BB-1	95 mm		LBH-9144401	854.30
MODEL R954 B, R954 C, R954 HD						
Boom Lift (FS Bucket)		I-BB-1	125 mm		LBH-9062985	501.80
		N-N-10		180 mm	LBH-9062632	337.92
Boom Lift (Std)		I-BB-1	110 mm		LBH-9158144	675.93
		N-N-10		180 mm	LBH-9062632	337.92
Bucket		I-BB-1	105 mm		LBH-9158311	353.67
Bucket (2.35m Stick)		I-BB-1	110 mm		LBH-9158144	675.93
		N-N-10		180 mm	LBH-9062632	337.92
Bucket (2.9m Stick)		I-BB-1	110 mm		LBH-9158144	675.93
		N-N-10		170 mm	LBH-9169653	697.16
Bucket (Demolition)		I-BB-1	95 mm		LBH-9060197	284.89
		N-N-10		140 mm	LBH-9165363	559.26
Stick (10.3m Stick)		N-N-10		170 mm	LBH-9062821	475.65
Stick (6.7m Std Boom)		I-BB-1	125 mm		LBH-9062985	501.80
		N-N-10		180 mm	LBH-9062632	337.92
Stick (7.0m Ind Boom)		I-BB-1	125 mm		LBH-9064091	400.24
Stick (8.8m, 11.3m Ind Boom)		I-BB-1	110 mm		LBH-9063688	377.03
		N-N-10		160 mm	LBH-9154141	358.18
Stick (Std Boom)		I-BB-1	125 mm		LBH-9062985	501.80
		N-N-10		180 mm	LBH-9062632	337.92
Swivel Rotary		I-BB-1	130 mm		LBH-9265064	1874.35
MODEL R964 C						
Boom Lift		N-N-10		180 mm	LBH-9169654	787.66
	1x6.3mm & 1x8.1mm wide rod seals	I-BB-1	125 mm		LBH-9062985	501.80
	2x6.3mm wide rod seals	I-BB-1	125 mm		LBH-9158145	327.98
Bucket (2.6m Stick)		N-N-10		180 mm	LBH-9062632	337.92
	1x6.3mm & 1x8.1mm wide rod seals	I-BB-1	125 mm		LBH-9062985	501.80
	2x6.3mm wide rod seals	I-BB-1	125 mm		LBH-9158145	327.98
Bucket (3.4m Stick)		I-BB-1	110 mm		LBH-9158144	675.93
		N-N-10		180 mm	LBH-9062632	337.92
	2x6.3mm wide rod seals	I-BB-1	125 mm		LBH-9158145	327.98
Bucket (4.2m Stick)		I-BB-1	125 mm		LBH-9062985	501.80
		N-N-10		180 mm	LBH-9062632	337.92
Bucket (5.0m Stick)		I-BB-1	110 mm		LBH-9158144	675.93
		N-N-10		170 mm	LBH-9062821	475.65
Stick (7.0m, 8.2m, 10m Std Boom)		N-N-10		210 mm	LBH-9159705	519.97
	1x6.3mm & 1x8.1mm wide rod seals	I-BB-1	140 mm		LBH-9062984	547.90
	2x6.3mm wide rod seals	I-BB-1	140 mm		LBH-9061471	581.41
Swivel Rotary		I-BB-1	130 mm		LBH-9265064	1874.35
Excavators - Wheel						
APPLICATION	MISC:	CODE	ROD	BORE	KIT #	List \$
MODEL A309 LI						
Boom Adj (Hyd Adj)		I-BB-1	70 mm		LBH-9062256	166.34
		N-N-10		125 mm	LBH-9060977	260.90
Boom Lift		I-BB-1	70 mm		LBH-9583532	153.03
		N-N-10		115 mm	LBH-9113343	216.16
Bucket		I-BB-1	50 mm		LBH-9063554	163.04

LIEBHERR

Replacement Kits For

Excavators - Wheel						
APPLICATION	MISC:	CODE	ROD	BORE	KIT #	List \$
MODEL A309 LI						
Bucket (Ditch Clean)	1300mm	I-BB-1	36 mm		LBH-9063270	99.07
Oscillating Axle Stabilizer		I-BB-1	85 mm		LBH-9158310	123.38
Stabilizers		N-N-10		110 mm	LBH-9063452	115.24
Stick		I-BB-1	60 mm		LBH-9061404	186.13
		N-N-10		90 mm	LBH-9061380	150.77
Swivel Rotary		I-BB-1	95 mm		LBH-9265132	4556.66
MODEL A311 LI						
Boom Adj (Hyd Adj)		I-BB-1	70 mm		LBH-9062256	166.34
		N-N-10		125 mm	LBH-9060977	260.90
Boom Lift		I-BB-1	70 mm		LBH-9062256	166.34
		N-N-10		125 mm	LBH-9060977	260.90
Bucket		I-BB-1	60 mm		LBH-9061404	186.13
		N-N-10		90 mm	LBH-9061380	150.77
Bucket (Ditch Clean)	1500mm 0,33M3	I-BB-1	36 mm		LBH-9063270	99.07
	1700mm 0,37M3	I-BB-1	50 mm		LBH-9155154	260.06
Dozer Blade	2550mm	N-N-10		110 mm	LBH-9063452	115.24
Oscillating Axle Stabilizer		I-BB-1	85 mm		LBH-9158310	123.38
Stabilizers		N-N-10		110 mm	LBH-9063452	115.24
Stick		I-BB-1	70 mm		LBH-9172117	272.47
		N-N-10		100 mm	LBH-9174200	223.62
Swivel Rotary		I-BB-1	95 mm		LBH-9265132	4556.66
MODEL A312 LI						
Boom Adj (Hyd Adj)		I-BB-1	80 mm		LBH-9063173	458.27
		N-N-10		140 mm	LBH-9165363	559.26
Boom Lift		I-BB-1	70 mm		LBH-9172117	272.47
		N-N-10		100 mm	LBH-9174200	223.62
Bucket		I-BB-1	60 mm		LBH-9061404	186.13
		N-N-10		90 mm	LBH-9061380	150.77
Dozer Blade	110mm Bore Cyl	I-BB-1	60 mm		LBH-9063449	138.95
	110mm Bore Cyl	N-N-10		110 mm	LBH-9063452	115.24
	90mm Bore Cyl	I-BB-1	50 mm		LBH-9061030	162.07
	90mm Bore Cyl	N-N-10		90 mm	LBH-9061380	150.77
Oscillating Axle Stabilizer		I-BB-1	85 mm		LBH-9158310	123.38
Stabilizers		I-BB-1	70 mm		LBH-9193515	226.77
		N-N-10		120 mm	LBH-9172577	261.05
Stick		N-N-10		110 mm	LBH-9159131	209.26
Swing		I-BB-1	50 mm		LBH-9061030	162.07
		N-N-10		90 mm	LBH-9061380	150.77
Swivel Rotary		I-BB-1	95 mm		LBH-9265132	4556.66
MODEL A314 LI						
Boom Adj (Hyd Adj)		I-BB-1	80 mm		LBH-9063173	458.27
		N-N-10		140 mm	LBH-9165363	559.26
Boom Lift		I-BB-1	70 mm		LBH-9063172	241.50
		N-N-10		110 mm	LBH-9159131	209.26
Boom Offset		I-BB-1	50 mm		LBH-9061030	162.07
		N-N-10		90 mm	LBH-9061380	150.77
Bucket		I-BB-1	60 mm		LBH-9061404	186.13
		N-N-10		90 mm	LBH-9061380	150.77
Dozer Blade	110mm Bore Cyl	I-BB-1	60 mm		LBH-9063449	138.95
	110mm Bore Cyl	N-N-10		110 mm	LBH-9063452	115.24
	90mm Bore Cyl	I-BB-1	50 mm		LBH-9061030	162.07
	90mm Bore Cyl	N-N-10		90 mm	LBH-9061380	150.77
Oscillating Axle Stabilizer		I-BB-1	85 mm		LBH-9063709	234.97
Stabilizers		I-BB-1	70 mm		LBH-9193515	226.77
		N-N-10		120 mm	LBH-9172577	261.05
Stick		N-N-10		115 mm	LBH-9113343	216.16
Stick (3.2m Boom)	-1997	I-BB-1	70 mm		LBH-9063172	241.50

LIEBHERR

LIEBHERR

Replacement Kits For

Excavators - Wheel						
APPLICATION	MISC:	CODE	ROD	BORE	KIT #	List \$
MODEL A314 LI						
Stick (3.2m Boom)	-1997	N-N-10		110 mm	LBH-9159131	209.26
	2001-	N-N-10		115 mm	LBH-9113343	216.16
Stick (4.3m Std, Lat Adj Boom)	s/n -28989	N-N-10		115 mm	LBH-9113343	216.16
Stick (4.5m Std Boom)		I-BB-1	70 mm		LBH-9063172	241.50
		N-N-10		110 mm	LBH-9159131	209.26
	2001-	N-N-10		115 mm	LBH-9113343	216.16
Stick (4.9m Std Boom, Lat Adj)		N-N-10		115 mm	LBH-9113343	216.16
Stick (5.0m Std Boom)		N-N-10		115 mm	LBH-9113343	216.16
Swivel Rotary		I-BB-1	95 mm		LBH-9265132	4556.66
MODEL A316 LI						
Boom Adj (Hyd Adj)		I-BB-1	80 mm		LBH-9063173	458.27
		N-N-10		140 mm	LBH-9165363	559.26
Boom Lift		I-BB-1	70 mm		LBH-9172122	164.18
		N-N-10		120 mm	LBH-9172577	261.05
Boom Offset		I-BB-1	50 mm		LBH-9061030	162.07
		N-N-10		90 mm	LBH-9061380	150.77
Bucket		I-BB-1	70 mm		LBH-9172117	272.47
		N-N-10		100 mm	LBH-9174200	223.62
Cab Elevation		I-BB-1	50 mm		LBH-9063554	163.04
		N-N-10		80 mm	LBH-9061383	78.24
Dozer Blade	100mm Bore Cyl	I-BB-1	60 mm		LBH-9174143	133.22
	100mm Bore Cyl	N-N-10		100 mm	LBH-9174142	179.99
	110mm Bore Cyl	I-BB-1	60 mm		LBH-9063449	138.95
	110mm Bore Cyl	N-N-10		110 mm	LBH-9063452	115.24
	90mm Bore Cyl	I-BB-1	50 mm		LBH-9061030	162.07
Oscillating Axle Stabilizer		I-BB-1	85 mm		LBH-9063709	234.97
Stabilizers		I-BB-1	70 mm		LBH-9193515	226.77
		N-N-10		120 mm	LBH-9172577	261.05
Stick		I-BB-1	80 mm		LBH-9172118	471.11
		N-N-10		120 mm	LBH-9172577	261.05
Stick (4.6m Ind Boom)		I-BB-1	70 mm		LBH-9063172	241.50
		N-N-10		110 mm	LBH-9159131	209.26
Swivel Rotary		I-BB-1	95 mm		LBH-9265132	4556.66
MODEL A900 C-LI						
Boom Adj (Hyd Adj)		I-BB-1	80 mm		LBH-9063173	458.27
		N-N-10		140 mm	LBH-9165363	559.26
Boom Lift		I-BB-1	85 mm		LBH-9158175	230.38
		N-N-10		125 mm	LBH-9060977	260.90
Boom Offset	100mm Bore Cyl	I-BB-1	50 mm		LBH-9062932	87.85
	90mm Bore Cyl	I-BB-1	50 mm		LBH-9061030	162.07
	90mm Bore Cyl	N-N-10		90 mm	LBH-9061380	150.77
Bucket (2.65m, 3.05m Stick)		I-BB-1	70 mm		LBH-9172117	272.47
		N-N-10		100 mm	LBH-9174200	223.62
Bucket (5.2m Stick)		I-BB-1	60 mm		LBH-9061404	186.13
		N-N-10		90 mm	LBH-9061380	150.77
Dozer Blade		I-BB-1	50 mm		LBH-9061030	162.07
		N-N-10		90 mm	LBH-9061380	150.77
Oscillating Axle Stabilizer		I-BB-1	85 mm		LBH-9063709	234.97
Stabilizers		I-BB-1	70 mm		LBH-9193515	226.77
		N-N-10		120 mm	LBH-9172577	261.05
Stick		I-BB-1	85 mm		LBH-9060195	231.39
		N-N-10		130 mm	LBH-9171671	260.28
Swivel Rotary		I-BB-1	95 mm		LBH-9265132	4556.66
MODEL A904 C-LI						
Boom Adj (Hyd Adj)		I-BB-1	80 mm		LBH-9063173	458.27
	for Deep Hole	I-BB-1	90 mm		LBH-9060196	341.27

LIEBHERR

LIEBHERR

Replacement Kits For

Excavators - Wheel						
APPLICATION	MISC:	CODE	ROD	BORE	KIT #	List \$
MODEL A904 C-LI						
Boom Adj (Hyd Adj)	for Deep Hole	N-N-10		140 mm	LBH-9165363	559.26
Boom Lift (Hyd Adj)		I-BB-1	85 mm		LBH-9285625	330.54
		N-N-10		135 mm	LBH-9285577	306.05
Boom Lift (Ind Boom)		I-BB-1	85 mm		LBH-9060195	231.39
		N-N-10		130 mm	LBH-9171671	260.28
Boom Lift (Std Boom)		I-BB-1	85 mm		LBH-9285625	330.54
		N-N-10		135 mm	LBH-9285577	306.05
Bucket (2.25m, 2.45m, 2.65m, 3.05m, 4.25m Stick)		I-BB-1	80 mm		LBH-9172118	471.11
		N-N-10		120 mm	LBH-9172577	261.05
Bucket (3.5m, 4.5m Ind Stick)		I-BB-1	80 mm		LBH-9172118	471.11
		N-N-10		120 mm	LBH-9172577	261.05
Bucket (4.3m Ind Stick)		I-BB-1	70 mm		LBH-9062256	166.34
		N-N-10		125 mm	LBH-9060977	260.90
Bucket (4.6m LR Stick)		I-BB-1	60 mm		LBH-9061404	186.13
		N-N-10		90 mm	LBH-9061380	150.77
Bucket (5.0m Stick)		I-BB-1	60 mm		LBH-9061404	186.13
		N-N-10		90 mm	LBH-9061380	150.77
Dozer Blade	Front Dual Cyl; Prop Up 2550mm, 2750mm	I-BB-1	50 mm		LBH-9158084	164.86
	Front Single Cyl	I-BB-1	60 mm		LBH-9174143	133.22
	Front Single Cyl	N-N-10		100 mm	LBH-9174142	179.99
	Prop Up 2550mm	I-BB-1	60 mm		LBH-9063449	138.95
	Prop Up 2550mm	N-N-10		110 mm	LBH-9063452	115.24
Oscillating Axle Stabilizer		I-BB-1	85 mm		LBH-9063709	234.97
Stabilizers		I-BB-1	70 mm		LBH-9193515	226.77
		N-N-10		120 mm	LBH-9172577	261.05
Stick		I-BB-1	85 mm		LBH-9060195	231.39
		N-N-10		130 mm	LBH-9171671	260.28
Stick (4.6m, 6.8m LR Stick)		I-BB-1	70 mm		LBH-9583532	153.03
		N-N-10		115 mm	LBH-9113343	216.16
Stick (5.2m Std Boom, Lat Adj)		I-BB-1	85 mm		LBH-9060195	231.39
		N-N-10		130 mm	LBH-9171671	260.28
Stick (5.3m, 7.4m, 5.6m Std Boom)		I-BB-1	85 mm		LBH-9060195	231.39
		N-N-10		130 mm	LBH-9171671	260.28
Stick (5.5m Boom Low-Curved)		I-BB-1	85 mm		LBH-9060195	231.39
		N-N-10		130 mm	LBH-9171671	260.28
Stick (6.0m Ind Boom-Angled)		I-BB-1	80 mm		LBH-9172118	471.11
		N-N-10		120 mm	LBH-9172577	261.05
Stick (6.1m, 6.6m, 7.0m, 7.1m Ind Boom)		I-BB-1	80 mm		LBH-9172118	471.11
		N-N-10		120 mm	LBH-9172577	261.05
Swing		I-BB-1	60 mm		LBH-9159680	221.47
		N-N-10		120 mm	LBH-9111605	293.77
Swivel Rotary		I-BB-1	95 mm		LBH-9265132	4556.66
Loaders - Wheel						
APPLICATION	MISC:	CODE	ROD	BORE	KIT #	List \$
MODEL L506 Stereo						
Loader Lift		I-BB-1	40 mm		LBH-9063465	78.24
		N-N-10		80 mm	LBH-9061383	78.24
Loader Tilt		I-BB-1	40 mm		LBH-9063465	78.24
		N-N-10		80 mm	LBH-9061383	78.24
Steering	s/n -99998	I-BB-1	30 mm		LBH-9063423	49.45
MODEL L507 Stereo						
Loader Lift	s/n -99998	I-BB-1	40 mm		LBH-9063465	78.24
	s/n -99998	N-N-10		80 mm	LBH-9061383	78.24
Loader Tilt		I-BB-1	40 mm		LBH-9063465	78.24
		N-N-10		80 mm	LBH-9061383	78.24
Steering	s/n -99998	I-BB-1	30 mm		LBH-9063423	49.45

LIEBHERR

LIEBHERR

Replacement Kits For

Loaders - Wheel						
APPLICATION	MISC:	CODE	ROD	BORE	KIT #	List \$
MODEL L508 Stereo						
Loader Lift		I-BB-1	50 mm		LBH-9063162	163.04
Loader Tilt		I-BB-1	50 mm		LBH-9063162	163.04
Steering	s/n -99998	I-BB-1	30 mm		LBH-9063423	49.45
MODEL L509 Stereo						
Loader Lift	s/n -99998	I-BB-1	50 mm		LBH-9063162	163.04
Loader Tilt	s/n -99998	I-BB-1	50 mm		LBH-9063162	163.04
Steering	s/n -99998	I-BB-1	30 mm		LBH-9063423	49.45
MODEL L538, L538 (Z-bar)						
Loader Lift		I-BB-1	60 mm		LBH-9177617	151.79
		N-N-10		110 mm	LBH-9159131	209.26
Loader Tilt		I-BB-1	50 mm		LBH-9061030	162.07
		N-N-10		90 mm	LBH-9061380	150.77
Steering		I-BB-1	40 mm		LBH-9061381	105.80
		N-N-10		90 mm	LBH-9063712	92.12
MODEL L544						
Loader Lift		I-BB-1	80 mm		LBH-9063757	240.96
		N-N-10		130 mm	LBH-9111341	286.57
Loader Tilt		I-BB-1	80 mm		LBH-9063173	458.27
		N-N-10		150 mm	LBH-9113131	304.42
Steering		I-BB-1	40 mm		LBH-9063465	78.24
		N-N-10		80 mm	LBH-9061383	78.24
MODEL L556 2plus2, L556 2plus2 High Lift						
Loader Lift		I-BB-1	80 mm		LBH-9063757	240.96
		N-N-10		130 mm	LBH-9111341	286.57
Loader Tilt		I-BB-1	80 mm		LBH-9063173	458.27
		N-N-10		150 mm	LBH-9113131	304.42
Steering		I-BB-1	40 mm		LBH-9063465	78.24
		N-N-10		80 mm	LBH-9061383	78.24
MODEL L564						
Loader Lift		I-BB-1	80 mm		LBH-9196096	343.22
		N-N-10		150 mm	LBH-9113131	304.42
Loader Tilt		I-BB-1	90 mm		LBH-9158397	338.14
		N-N-10		170 mm	LBH-9062821	475.65
Steering		I-BB-1	40 mm		LBH-9061381	105.80
		N-N-10		90 mm	LBH-9063712	92.12
MODEL L566 2plus2, L566 2plus2 High Lift						
Loader Lift		I-BB-1	80 mm		LBH-9196096	343.22
		N-N-10		150 mm	LBH-9113131	304.42
Loader Tilt		I-BB-1	90 mm		LBH-9158397	338.14
		N-N-10		170 mm	LBH-9062821	475.65
Steering		I-BB-1	40 mm		LBH-9061381	105.80
		N-N-10		90 mm	LBH-9063712	92.12
Off-Highway Trucks						
APPLICATION	MISC:	CODE	ROD	BORE	KIT #	List \$
MODEL KL2420						
Steering	Cyl 13029-D	P-U-10	2-3/4	5-1/2	LBH-13029-C-1	118.97

LIEBHERR

Kit Number	Code (Pg. xiv)	Rod X Bore Size	List Price
LBH-13029-C-1	P-U-10	2-3/4 X 5-1/2	\$118.97
LBH-5708-876-08	N-N-15	160 mm Piston	339.51
LBH-9060195	I-SP-1	85 mm Rod Kit	231.39
LBH-9060196	I-SP-1	90 mm Rod Kit	341.27
LBH-9060197	I-BB-1	95 mm Rod Kit	284.89
LBH-9060977	N-N-10	125 mm Piston Kit	260.90
LBH-9061003	I-BB-1	105 mm Rod Kit	324.02
LBH-9061030	I-BB-1	50 mm Rod Kit	162.07
LBH-9061380	N-N-10	90 mm Piston Kit	150.77
LBH-9061381	I-BB-1	40 mm Rod Kit	105.80
LBH-9061383	N-N-10	80 mm Piston Kit	78.24
LBH-9061404	I-BB-1	60 mm Rod Kit	186.13
LBH-9061471	I-BB-1	Seal Kit	581.41
LBH-9062256	I-BB-1	70 mm Rod Kit	166.34
LBH-9062534	I-BB-1	95 mm Rod Kit	482.57
LBH-9062632	N-N-10	180 mm Piston Kit	337.92
LBH-9062821	N-N-10	170 mm Piston Kit	475.65
LBH-9062932	I-BB-1	50 mm Rod Kit	87.85
LBH-9062984	I-BB-1	140 mm Rod Kit	547.90
LBH-9062985	I-BB-1	125 mm Rod Kit	501.80
LBH-9063162	I-BB-1	50 mm Rod Kit	163.04
LBH-9063172	I-BB-1	70 mm Rod Kit	241.50
LBH-9063173	I-BB-1	80 mm Rod Kit	458.27
LBH-9063270	I-BB-1	36 mm Rod Kit	99.07
LBH-9063423	I-BB-1	30 mm Rod Kit	49.45
LBH-9063449	I-BB-1	60 mm Rod Kit	138.95
LBH-9063452	N-N-10	110 mm Piston Kit	115.24
LBH-9063464	N-N-10	70 mm Piston Kit	85.88
LBH-9063465	I-BB-1	40 mm Rod Kit	78.24
LBH-9063554	I-BB-1	50 mm Rod Kit	163.04
LBH-9063688	I-BB-1	110 mm Rod Kit	377.03
LBH-9063709	I-BB-1	85 mm Rod Kit	234.97
LBH-9063712	N-N-10	90 mm Piston Kit	92.12
LBH-9063757	I-BB-1	80 mm Rod Kit	240.96
LBH-9064091	I-BB-1	125 mm Rod Kit	400.24
LBH-9111341	N-N-10	130 mm Piston Kit	286.57
LBH-9111605	N-N-10	120 mm Piston Kit	293.77
LBH-9113131	N-N-10	150 mm Piston Kit	304.42
LBH-9113343	N-N-10	115 mm Piston Kit	216.16
LBH-9113351	N-N-10	85 mm Piston Kit	164.09
LBH-9114437	N-N-10	220 mm Piston Kit	561.05
LBH-9114673	I-BB-1	60 mm Rod Kit	140.34
LBH-9124375	N-N-10	85 mm Piston Kit	140.98
LBH-9124376	I-SP-1	50 mm Rod Kit	130.14
LBH-9144401	I-BB-1	95mm Rod Kit	854.30
LBH-9154141	N-N-10	160 mm Piston Kit	358.18
LBH-9154605	N-N-10	85 mm Piston Kit	163.89
LBH-9154606	I-SP-1	36 mm Rod Kit	74.34
LBH-9155154	I-BB-1	50 mm Rod Kit	260.06

Kit Number	Code (Pg. xiv)	Rod X Bore Size	List Price
LBH-9156782	N-N-10	150 mm Piston Kit	\$277.42
LBH-9156961	N-N-10	230 mm Piston Kit	1507.47
LBH-9156962	I-SP-1	170 mm Rod Kit	1457.91
LBH-9158084	I-BB-1	50 mm Rod Kit	164.86
LBH-9158144	I-SP-1	110 mm Rod Kit	675.93
LBH-9158145	I-SP-1	125 mm Rod Kit	327.98
LBH-9158175	I-BB-1	85 mm Rod Kit	230.38
LBH-9158310	I-BB-1	85 mm Rod Kit	123.38
LBH-9158311	I-BB-1	105 mm Rod Kit	353.67
LBH-9158397	I-BB-1	90 mm Rod Kit	338.14
LBH-9158674	I-SP-1	100 mm Rod Kit	462.64
LBH-9159131	N-N-10	100 mm Piston Kit	209.26
LBH-9159132	I-SP-1	70 mm Rod Kit	231.34
LBH-9159680	I-BB-1	60mm Rod Kit	221.47
LBH-9159705	N-N-10	210 mm Piston Kit	519.97
LBH-9159739	I-SP-1	150 mm Rod Kit	1984.49
LBH-9165363	N-N-10	140 mm Piston	559.26
LBH-9165440	N-N-10	150 mm Piston	600.16
LBH-9165441	I-BB-1	100 mm	350.10
LBH-9169653	N-N-10	170 mm Piston	697.16
LBH-9169654	N-N-10	180 mm Piston	787.66
LBH-9169656	I-SP-1	110 mm Rod Kit	504.28
LBH-9170257	N-N-10	200 mm Piston	819.39
LBH-9170258	I-SP-1	110 mm Rod Kit	746.99
LBH-9170276	P-SP-1	140 mm Rod Kit	627.03
LBH-9171670	I-SP-1	80 mm Rod Kit	406.53
LBH-9171671	N-N-10	130 mm Piston Kit	260.28
LBH-9172117	I-SP-1	70 mm Rod Kit	272.47
LBH-9172118	I-SP-1	80 mm Rod Kit	471.11
LBH-9172119	I-BB-1	90mm Rod Kit	283.17
LBH-9172122	I-SP-1	70 mm Rod Kit	164.18
LBH-9172123	I-SP-1	110 mm Rod Kit	502.99
LBH-9172577	N-N-10	120 mm Piston Kit	261.05
LBH-9174142	N-N-10	100 mm Piston Kit	179.99
LBH-9174143	I-BB-1	60 mm Rod Kit	133.22
LBH-9174200	N-N-10	100 mm Piston Kit	223.62
LBH-9174519	I-SP-1	70 mm Rod Kit	177.77
LBH-9174575	I-SP-1	80 mm Rod Kit	237.48
LBH-9177617	I-BB-1	60 mm Rod Kit	151.79
LBH-9179503	N-N-10	150 mm Piston Kit	285.00
LBH-9193515	I-BB-1	70 mm Rod Kit	226.77
LBH-9196096	I-BB-1	80 mm Rod Kit	343.22
LBH-9265064	I-BB-1	130mm Rod Kit	1874.35
LBH-9265132	I-BB-1	95 mm Rod Kit	4556.66
LBH-9285577	N-N-10	135 mm Piston Kit	306.05
LBH-9285625	I-BB-1	85 mm Rod Kit	330.54
LBH-94027338	I-BB-1	125 mm Rod Kit	245.98
LBH-9583532	I-BB-1	70 mm Rod Kit	153.03
LBH-9596597	I-BB-1	100 mm Rod Kit	400.44

LIEBHERR

REPLACEMENT PARTS FOR LIEBHERR EQUIPMENT

NOTE: Liebherr part numbers are used as a reference only. We do not imply that these kits are original REPLACEMENT PARTS.

BACK-UP RINGS

Part Number	Min Pkg Qty	List Price
LBH-10406AN	1	\$10.68
LBH-10406BX	1	9.94

O-RINGS

Part Number	Min Pkg Qty	List Price
LBH-10406AM	1	\$11.15
LBH-10406BW	1	5.68

WIPERS

Part Number	Rod Diam.	List Price
LBH-13298-A	12	\$61.88

LIUGONG

Repair parts for Liugong are available online at www.HerculesUS.com or by contacting the Hercules Sales Team at the information provided below.

LINK BELT

Kit Number	Code (Pg. xiv)	Rod X Bore Size	List Price
LB-3J12501	I-UB-11	3-1/2 X 4-1/2	\$288.26
LB-3J16874	P-UB-11	4-1/4 X 5-1/2	500.32
LB-3J16875	P-UB-10	4 x 5-1/4	397.80
LB-3X-0082	I-U-10	1-1/2 X 2-1/2	37.59
LB-3X-0106	I-OB-3	3-1/2 X 4-1/2	33.73
LB-3X-0256	P-U-10	5-1/2 X 8	381.77
LB-3X-0264	I-U-10	1-1/8 X 3	35.69
LB-587V305	I-U14	4-1/2 X 7-1/2	464.77
LB-LQU-0008	P-UB-10	100 X 150 mm	700.72
LB-LQU-0009	P-UB-10	110 X 160 mm	764.84
LB-LQU-0010	P-UB-10	95 X 140 mm	493.51
LB-LQU-0011	P-UB-10	70 X 110 mm	470.01
LB-LQU-0012	P-UB-10	85 X 125 mm	548.33
LB-LQU-0015	P-UB-10	70 X 110 mm	426.14
LB-LQU-0017	P-UB-14	110 X 160 mm	689.69
LB-LQU-0020	P-UB-10	85 X 125 mm	527.50
LB-LQU-0021	P-UB-10	100 X 140 mm	662.14
LB-LQU-0022	P-UB-10	80 X 120 mm	565.28
LB-LQU-0028	P-UB-10	90 X 140 mm	617.60
LB-LQU-0029	P-UB-10	105 X 150 mm	708.91
LB-LQU-0030	P-UB-10	90 X 130 mm	549.15
LB-LQU-0037	P-UB-10	85 X 130 mm	515.54

REPLACEMENT PARTS FOR LINK BELT EQUIPMENT

NOTE: Link Belt part numbers are used as a reference only. We do not imply that these kits are original REPLACEMENT PARTS.

U-SEALS

Part Number	Rod Diam.	List Price
LB-47A2657	3-1/2	\$26.41

LOADMASTER

Repair parts for Loadmaster are available online at www.HerculesUS.com or by contacting the Hercules Sales Team at the information provided below.

LOG HOG

Repair parts for Log Hog are available online at www.HerculesUS.com or by contacting the Hercules Sales Team at the information provided below.

LORAIN

Kit Number	Code (Pg. xiv)	Rod X Bore Size	List Price
LOR-1103	I-N-10	4-1/4 X 6	\$86.44
LOR-1103U	I-U-10	4-1/4 X 6	118.71
LOR-1139	I-U-10	3/4 , 1-1/2 X 2-1/2	59.45
LOR-1179	I-U-10	1-1/2 X 2-1/2	31.96
LOR-1191	O-Ring Kit		16.67
LOR-201521	P-U-10	3-1/2 X 5	117.99
LOR-201778	P-U-10	4 X 6	120.85
LOR-23699	P-U-3	2 X 3-1/2	45.41
LOR-28687	I-N-10	4 X 5	63.56
LOR-28696	I-OB-10	1-1/2 X 2	19.81
LOR-80187	I-U-10	3 X 4	75.55
LOR-963A	I-U-12	7 X 8-1/8	465.17
LOR-983-C	I-U-10, 12	4-1/2 X 8-1/8	469.33

LUCKY LOADER

Repair parts for Lucky Loader are available online at www.HerculesUS.com or by contacting the Hercules Sales Team at the information provided below.

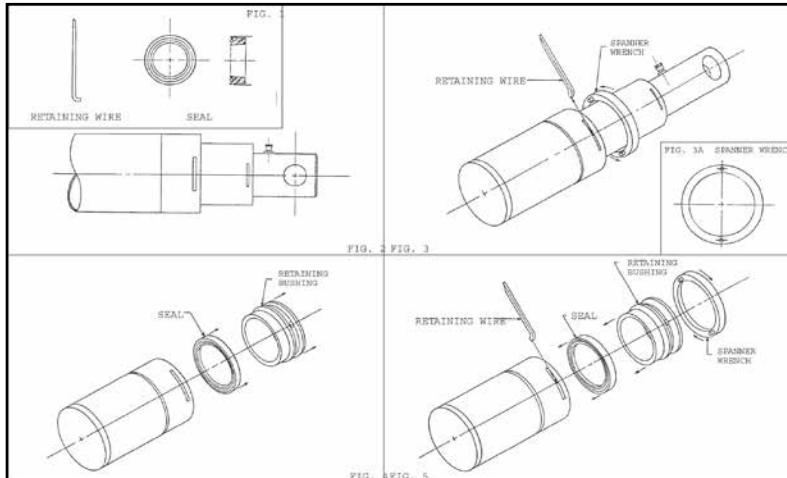
LULL

Kit Number	Code (Pg. xiv)	Rod X Bore Size	List Price
LULL-3586-34	I-U-10	1-1/8 X 3	\$50.43
LULL-P19382	I-U-10	1-1/8 X 2-1/2	29.48

MANITOU

Kit Number	Code (Pg. xiv)	Rod X Bore Size	List Price
MATU-198641	P-U-15	60 X 125 mm	\$59.84
MATU-548990	P-U-15	55 X 110 mm	44.60
MATU-746367	P-U-15	70 X 120 mm	50.62
MATU-746369	P-U-15	70 X 110 mm	58.49

MARION TELESCOPIC CYLINDERS



INSTRUCTIONS:

Remove cylinder and lie flat with sides parallel to ground. Drain oil from cylinder leaving stages slightly extended as shown in FIG. 2, exposing retaining wire slots. Using spanner wrench (FIG. 3A) or equivalent, remove retaining wire by turning retaining bushing counter-clockwise (FIG.3). After retaining wire is out, remove retaining bushing and seal, FIG. 4. Replace with seal provided in kit, FIG. 1. Retaining bushing (FIG. 5) and secure with retaining wire (FIG.1). Repeat steps for all other stages and other tubes.

MARION - MARK HI-LIFT

Part Number	Stage Size	I.D.	O.D.	Height	List Price
STAGE BEARINGS					
MARION-35120	1-7/8	1-7/8	2-1/4	1	\$24.53
MARION-35130	2-3/4	2-3/4	3-1/4	1	31.81
MARION-35140	3-3/4	3-3/4	4-1/4	1	35.02
MARION-35150	4-3/4	4-3/4	5-1/4	1	36.55
MARION-35160	5-3/4	5-3/4	6-1/4	1	38.58
WIPERS					
MARION-35731	2-3/4	2-3/4	3.114	0.12	\$3.71
MARION-35741	3-3/4	3-3/4	3.996	0.11	12.45
MARION-35751	4-3/4	4-3/4	4.996	0.11	12.93
MARION-35761	5-3/4	5-3/4	5.996	0.11	37.11
MARION-35771	6-3/4	6-3/4	6.996	0.11	14.82
PISTON BEARINGS					
MARION-35420	1-7/8	2	2-1/4	1/2	\$6.03
MARION-35430	2-3/4	3	3-1/4	1/2	6.36
MARION-35440	3-3/4	4	4-1/4	1/2	6.68
MARION-35450	4-3/4	5	5-1/4	1/2	6.85
MARION-35460	5-3/4	6	6-1/4	1/2	8.97

Part Number	Stage Size	Length	Square C/S	List Price
RETAINING WIRE				
MARION-35240	2-3/4	10-1/4	1/8	\$20.82
MARION-35250	3-3/4	13-3/8	1/8	19.62
MARION-35260	4-3/4	16-3/8	1/8	19.98
MARION-35270	5-3/4	19-1/4	1/8	22.96

COMPLETE REPAIR KITS			
Part Number	Series	Stage Sizes	List Price
Kits contain rod seals and retaining wire for each stage			
MARION-35704	32 series	1-7/8, 2-3/4	\$71.69
MARION-35705	42 series	2-3/4, 3-3/4	89.57
MARION-35706	43 series	1-7/8, 2-3/4, 3-3/4	119.12
MARION-35707	53 series	2-3/4, 3-3/4, 4-3/4	150.27
Kits contain rod seals, wipers and retaining wire for each stage			
MARION-35708	63 series	3-3/4, 4-3/4, 5-3/4	\$223.83
MARION-35709	64 series	2-3/4, 3-3/4, 4-3/4, 5-3/4	263.27
MARION-35715	62 series	4-3/4, 5-3/4	169.54
MARION-35716	52 series	3-3/4, 4-3/4	134.06

MARK HI-LIFT

Repair parts for Mark Hi-Lift are available online at www.HerculesUS.com or by contacting the Hercules Sales Team at the information provided below.

MASSEY FERGUSON

Backhoe Loaders						
APPLICATION	CYL #	CODE	ROD	BORE	KIT #	List \$
MODEL 50H						
ARM	1605081M94	P-U-10	2	4-1/4	MF-1607730M91	343.81
BOOM	1605245M91	P-U-8	2	4-1/4	MF-1607427M91	371.05
BUCKET TILT	1605045M93	P-U-10	40 mm	2-1/2	MF-1606502M94	125.44
STABILIZER	1605174M92	P-U-10	2	3-1/2	MF-1607915M92	345.70
SWING	1605262M91	P-U-14	40 mm	75 mm	MF-3402545M91	207.30
Tractors						
APPLICATION	CYL #	CODE	ROD	BORE	KIT #	List \$
MODEL 250						
LIFT		P-U-10	40 mm	65 mm	MF-3443575M93	172.94
		P-U-10	45 mm	75 mm	MF-1606583M93	237.86

REPLACEMENT KITS FOR MASSEY FERGUSON EQUIPMENT

Kit Number	Code (Pg. xiv)	Rod X Bore Size	List Price
MF-1606487M93	I-U-10	2-1/4 x 3	\$61.56
MF-1606502M94	P-U-10	40 mm X 2-1/2"	125.44
MF-1606583M93	P-U-10	45 X 75 mm	237.86
MF-1606681M92	O-RING KIT		16.35
MF-1607427M91	P-U-8	2 X 4-1/4	371.05
MF-1607730M91	P-U-10	2 X 4-1/4	343.81
MF-1607915M92	P-U-10	2 X 3-1/2	345.70
MF-1609031M93	I-U-10	1-3/4 X 2-1/4	82.48
MF-3402545M91	P-U-14	40 X 75 mm	207.30

Kit Number	Code (Pg. xiv)	Rod X Bore Size	List Price
MF-3443575M93	P-U-10	40 X 65 mm	\$172.94
MF-3443846M91	I-U-10	25 X 2-1/2	28.51
MF-3484947M93	P-U-10	35 X 65 mm	221.46
MF-3484955M92	P-U-10	50 X 70 mm	299.82
MF-3485221M93	P-U-10	40 X 75 mm	253.95
MF-3485304M92	P-U-10	35 X 70 mm	241.31
MF-3485427M92	P-U-10	45 X 80 mm	323.41
MF-704643M91	P-OB-3	1-1/4 X 2-1/2	47.32
MF-836994M91	P-U-10	2 X 4	157.88

NOTE: Massey Ferguson part numbers are used as a reference only. We do not imply that these kits are original REPLACEMENT PARTS.

O-RINGS

Part Number	Min Pkg Qty	List Price
MF-1000546M1	50	\$0.26
MF-100054M1	50	0.14
MF-10006336M1	20	0.32
MF-10013774M1	20	0.33
MF-1001464M1	20	0.93
MF-1001484M1	50	0.29
MF-1001489M1	50	0.26
MF-1001833M1	50	0.08
MF-1004637M1	20	0.37
MF-1004648M1	50	0.04
MF-1004663M1	20	0.93
MF-100543M1	20	0.75
MF-100557M1	50	0.10
MF-1006240M1	50	0.04

O-RINGS

Part Number	Min Pkg Qty	List Price
MF-1006335M1	50	\$0.29
MF-1504788M1	20	0.46
MF-1506223M1	20	0.66
MF-195522M1	10	1.20
MF-195561M1	50	0.08
MF-195562M1	50	0.10
MF-195565M1	20	0.71
MF-195630M1	20	0.60
MF-195631M1	50	0.17
MF-195791M1	50	0.17
MF-196027M1	50	0.17
MF-196030M1	50	0.14
MF-25071761M1	50	0.04
MF-359001M1	50	0.12

O-RINGS

Part Number	Min Pkg Qty	List Price
MF-359002M1	50	\$0.12
MF-359230X1	20	0.83
MF-359231X1	20	1.01
MF-359287X1	50	0.04
MF-831196M1	50	0.29
MF-831533M1	50	0.08
MF-831535M1	50	0.10
MF-831617M1	50	0.14
MF-835126M1	20	0.79
MF-835130M1	20	0.60
MF-851145M1	50	0.24
MF-851147M1	20	0.46
MF-851258M1	50	0.12
MF-852140M1	20	0.66

MCNEILUS REFUSE TRUCKS

Repair parts for McNeilus Refuse Trucks are available online at www.HerculesUS.com or by contacting the Hercules Sales Team at the information provided below.

MEYER PRODUCTS

Kit Number	Code (Pg. xiv)	Rod X Bore Size	List Price
MY-15254	P-O-6	1-1/8 X 1-3/4	\$27.26
MY-15456	P-OB-6	1-1/8 X 1-3/4	38.00

Kit Number	Code (Pg. xiv)	Rod X Bore Size	List Price
MY-15707	P-U-6	1-1/8 X 1-3/4	\$70.20
MY-7705	I-V-1	1-1/2" ROD	27.26

REPLACEMENT PARTS FOR MEYER EQUIPMENT

NOTE: Meyer part numbers are used as a reference only. We do not imply that these kits are original REPLACEMENT PARTS.

O-RINGS

Part Number	Min Pkg Qty	List Price
MY-15122	50	\$0.08
MY-15123	50	0.08
MY-15125	50	0.08
MY-15126	50	0.10
MY-15131	20	0.93
MY-15163	20	0.87
MY-15198	2	7.93
MY-15687	10	1.68
MY-15693	20	0.58
MY-15701	50	0.32

PISTON CUPS

Part Number	Bore Dia.	List Price
MY-15691	1-3/4	\$14.79

WIPERS

Part Number	Rod Dia.	List Price
MY-05119	1-1/8	\$4.17

Replacement Kits For

mitsubishi

Excavators						
APPLICATION	CYL #	CODE	ROD	BORE	KIT #	List \$
MODEL MS-110-5, MS-110L-5, MS-110D-5, MS-110S-5						
ARM	C25320004	P-UB-15	80 mm	120 mm	MIT-C75300020	446.96
	C25320005	P-UB-15	80 mm	120 mm	MIT-C75300020	446.96
BOOM	C25300104	P-UB-15	70 mm	110 mm	MIT-C75300010	412.84
BUCKET	C25340004	P-UB-15	65 mm	110 mm	MIT-C75300030	407.99
	C25340005	P-UB-15	65 mm	110 mm	MIT-C75300030	407.99
MODEL MS-120-2, MS-120S-2, MS-120SS-2						
ARM	C65320002	P-UB-14	80 mm	120 mm	MIT-C65300022	523.72
	C65320003	P-UB-14	80 mm	120 mm	MIT-C65300022	523.72
	C65320004	P-UB-14	80 mm	120 mm	MIT-C65300022	523.72
BOOM	C65300102	P-UB-14	75 mm	110 mm	MIT-C65300012	574.23
	C65300103	P-UB-14	75 mm	110 mm	MIT-C65300012	574.23
	C65300104	P-UB-14	75 mm	110 mm	MIT-C65300012	574.23
BUCKET	C65340003	P-UB-14	70 mm	110 mm	MIT-C65300032	549.12
	C65340004	P-UB-14	70 mm	110 mm	MIT-C65300032	549.12
	C65340005	P-UB-14	70 mm	110 mm	MIT-C65300032	549.12
MODEL MS-180-3, MS-180S-3, MS-180LC-3						
ARM	E35300201	P-UB-5	90 mm	130 mm	MIT-E15300023	509.39
BOOM	E35300101	P-UB-5	85 mm	125 mm	MIT-E15300013	485.34
BUCKET	E35300301	P-UB-5	75 mm	120 mm	MIT-E15300033	430.06
MODEL MS-180-8						
ARM	E75300301	P-UB-10	100 mm	140 mm	MIT-E75300010	644.61
BOOM	E75300101	P-UB-10	85 mm	125 mm	MIT-E35300040	540.08
	E75300201	P-UB-10	85 mm	125 mm	MIT-E35300040	540.08
BUCKET	E75300401	P-UB-10	85 mm	125 mm	MIT-E35300040	540.08

REPLACEMENT KITS FOR MITSUBISHI EQUIPMENT

Kit Number	Code (Pg. xiv)	Rod X Bore Size	List Price
MIT-9185415310	I-U-10	25 X 55 mm	\$62.15
MIT-94504-02080	N-N-15	100 mm	35.79
MIT-C65300012	P-UB-14	75 X 110 mm	574.23
MIT-C65300022	P-UB-14	80 X 120 mm	523.72
MIT-C65300032	P-UB-14	70 X 110 mm	549.12
MIT-C75300010	P-UB-15	70 X 110 mm	412.84
MIT-C75300020	P-UB-15	80 X 120 mm	446.96
MIT-C75300030	P-UB-15	65 X 110 mm	407.99

Kit Number	Code (Pg. xiv)	Rod X Bore Size	List Price
MIT-E15300013	P-UB-5	85 X 125 mm	\$485.34
MIT-E15300023	P-UB-5	90 X 130 mm	509.39
MIT-E15300033	P-UB-5	75 X 120 mm	430.06
MIT-E25300061	P-UB-14	90 X 140 mm	709.76
MIT-E35300040	P-UB-10	85 X 125 mm	540.08
MIT-E75300010	P-UB-10	100 X 140 mm	644.61
MIT-F15300011	P-UB-14	100 X 150 mm	487.32

REPLACEMENT PARTS FOR MITSUBISHI EQUIPMENT

NOTE: Mitsubishi part numbers are used as a reference only. We do not imply that these kits are original REPLACEMENT PARTS.

BACK-UP RINGS

Part Number	Min Pkg Qty	List Price
MIT-05568-90800	1	\$10.08
MIT-4653425	1	19.39
MIT-4653623	1	16.78
MIT-4753177	1	46.65
MIT-94153-07300	1	19.30
MIT-A04700312	1	14.21
MIT-A04700313	1	15.58
MIT-A04700314	1	8.70
MIT-A04700315	1	11.62
MIT-A04700324	1	19.39
MIT-A04700325	1	15.33
MIT-A04700416	1	13.90
MIT-E15301130	1	16.02
MIT-E15302093	1	16.82
MIT-E25310020	1	20.45
MIT-E35300217	1	16.78
MIT-E35300315	1	15.58
MIT-E35301917	1	17.14
MIT-E35302130	1	17.14
MIT-E75300317	1	51.82
MIT-E75300318	1	17.85
MIT-E85300321	1	17.36
MIT-E85300416	1	16.82
MIT-F15300921	1	19.39
MIT-F15301418	1	19.39

BACK-UP RINGS

Part Number	Rod Dia.	List Price
MIT-05566-03520	35 mm	\$6.08
MIT-A04600815	50 mm	13.99
MIT-A04600811	65 mm	17.12
MIT-A04601014	65 mm	43.25
MIT-A04600812	70 mm	18.49
MIT-A04601015	70 mm	47.22
MIT-A04601016	75 mm	50.19
MIT-E15302312	75 mm	48.98
MIT-E85300437	75 mm	44.98
MIT-A04600813	80 mm	20.57

BUFFER RINGS

Part Number	Rod Dia.	List Price
MIT-A04601017	80 mm	\$53.15
MIT-E15300372	85 mm	52.11
MIT-E85300140	85 mm	50.23
MIT-A04601024	90 mm	57.31
MIT-E85300344	95 mm	55.57
MIT-A04601025	100 mm	60.09
MIT-F15302316	100 mm	60.09
MIT-A04601018	110 mm	80.67

O-RINGS

Part Number	Min Pkg Qty	List Price
MIT-03158-08000	2	\$6.95
MIT-2153222	2	10.88
MIT-4753176	2	8.32
MIT-7953122	2	10.88
MIT-91254-06300	20	0.33
MIT-91254-09300	10	1.86
MIT-91254-13700	20	1.19
MIT-91254-15100	10	1.66
MIT-94004-00900	5	3.53
MIT-E35300316	10	1.12
MIT-F3150-04900	7	1.32
MIT-F3150-06000	5	4.92
MIT-F3150-07000	4	6.29
MIT-F3150-09000	2	7.27
MIT-F3153-04000	10	0.97
MIT-F3153-05000	10	4.65
MIT-F3157-05000	10	2.23
MIT-Z440101000	3	7.67
MIT-Z440101100	3	9.97
MIT-Z440200600	5	4.92
MIT-Z440201100	3	9.97
MIT-Z440201150	2	10.15
MIT-Z440201200	2	10.34
MIT-Z440201250	2	10.50
MIT-Z440201300	2	10.57

O-RINGS

Part Number	Min Pkg Qty	List Price
MIT-Z440201400	2	\$10.88
MIT-Z440201500	2	13.18
MIT-Z440201550	1	19.05
MIT-Z441101000	4	2.99
MIT-Z441101100	3	4.00
MIT-Z441101150	3	3.95
MIT-Z441101200	3	4.11
MIT-Z441101250	3	14.07
MIT-Z441101300	3	4.22
MIT-Z441101450	2	5.07
MIT-Z441101600	1	36.02

O-RINGS 90 DUROMETER

Part Number	Min Pkg Qty	List Price
MIT-Z440200800	3	\$6.95
MIT-Z441001150	3	3.97
MIT-Z441101050	3	3.85

PISTON SEALS

Part Number	Bore Dia.	List Price
MIT-91854-16300	55 mm	\$ 39.42

PISTON U-SEALS

Part Number	Bore Dia.	List Price
MIT-05565-07010	70 mm	34.13
MIT-A04601211	70 mm	136.90
MIT-05565-08010	80 mm	38.66
MIT-A04601213	90 mm	159.73
MIT-A04601215	110 mm	205.32
MIT-A04601311	110 mm	97.83
MIT-E85300439	115 mm	77.19
MIT-A04601216	120 mm	205.32
MIT-A04601312	120 mm	101.96
MIT-C45300229	120 mm	72.67

MITSUBISHI

REPLACEMENT PARTS FOR MITSUBISHI EQUIPMENT

NOTE: Mitsubishi part numbers are used as a reference only. We do not imply that these kits are original REPLACEMENT PARTS.

PISTON U-SEALS

Part Number	Bore Dia.	List Price
MIT-E85300137	120 mm	\$77.19
MIT-E153-00386	125 mm	78.85
MIT-E35301920	125 mm	77.19
MIT-2153243	130 mm	78.85
MIT-E85300347	130 mm	79.87
MIT-4653414	140 mm	90.91
MIT-A04601314	140 mm	138.71
MIT-E75300322	140 mm	91.20
MIT-4653415	140 mm	90.91
MIT-1853063	150 mm	101.35
MIT-A04601315	150 mm	150.90
MIT-F15301123	150 mm	101.35
MIT-4653514	160 mm	109.24
MIT-A04601719	160 mm	171.39
MIT-F25340028	160 mm	109.24

ROD U-SEALS

Part Number	Rod Dia.	List Price
MIT-A04600911	45 mm	\$17.06
MIT-A04600912	50 mm	23.85
MIT-A04600914	65 mm	27.89
MIT-A04600915	70 mm	27.42
MIT-A04700415	70 mm	13.90
MIT-7953042	75 mm	36.05
MIT-A04600918	75 mm	33.36
MIT-C45300134	75 mm	13.90
MIT-E35302115	75 mm	32.78
MIT-E35302116	75 mm	13.90
MIT-1853083	80 mm	39.65
MIT-A04600917	80 mm	36.52
MIT-A04700417	80 mm	16.78
MIT-48-7953142	85 mm	41.03
MIT-7953142	85 mm	41.03
MIT-E15301215	85 mm	16.78
MIT-E35301915	85 mm	39.65
MIT-E35301916	85 mm	16.78
MIT-1853057	90 mm	37.14
MIT-1853239	90 mm	37.14
MIT-A04600925	90 mm	42.19
MIT-A04700423	90 mm	16.78
MIT-E15301116	90 mm	16.78
MIT-E85300317	95 mm	44.53

ROD U-SEALS

Part Number	Rod Dia.	List Price
MIT-E85300318	95 mm	\$16.78
MIT-1853136	100 mm	48.27
MIT-A04600926	100 mm	33.75
MIT-A04700424	100 mm	19.53
MIT-94319-02400	112 mm	51.91

U-SEALS

Part Number	Rod Dia.	List Price
MIT-91854-06500	25 mm	\$4.33

WEAR RINGS

Part Number	O.D. X Width	List Price
MIT-E85300345	100 X 9.7 mm	\$34.81
MIT-A04903612	110 X 6 mm	30.44
MIT-A04901911	110 X 30 mm	38.73
MIT-E85300420	115 X 6 mm	30.44
MIT-E85300440	115 X 7.9 mm	15.16
MIT-A04901912	120 X 6 mm	34.44
MIT-A04903613	120 X 7.9 mm	30.44
MIT-E85300136	120 X 8 mm	16.33
MIT-E85300120	120 X 30 mm	57.85
MIT-E35301921	125 X 8 mm	57.85
MIT-E85300326	130 X 7.9 mm	18.16
MIT-E85300438	130 X 8 mm	57.85
MIT-A04901915	140 X 8 mm	67.96
MIT-A04903616	140 X 8 mm	57.85
MIT-E75300323	140 X 40 mm	57.85
MIT-A04901916	150 X 8 mm	66.03
MIT-A04903617	150 X 40 mm	57.85

WIPERS

Part Number	Rod Dia.	List Price
MIT-91854-06400	25 mm	\$4.78
MIT-05566-13030	30 mm	22.16
MIT-05566-13530	35 mm	23.37
MIT-64374-79200	40 mm	29.86
MIT-A04500811	45 mm	32.85
MIT-A04500812	50 mm	33.28
MIT-A04501417	65 mm	42.97
MIT-A04500914	65 mm	45.52
MIT-A04500815	70 mm	48.85
MIT-A04500822	70 mm	48.85
MIT-A04501418	70 mm	46.11
MIT-A04500915	70 mm	48.85
MIT-C45300148	75 mm	49.57
MIT-E35300325	75 mm	49.57
MIT-A04500918	75 mm	52.51
MIT-1853252	80 mm	14.55
MIT-A04500817	80 mm	61.94
MIT-A04501420	80 mm	58.46
MIT-A04500917	80 mm	61.94
MIT-E15300392	85 mm	66.36
MIT-E35300127	85 mm	66.36
MIT-E353-00127	85 mm	66.36
MIT-1853094	90 mm	71.73
MIT-A04501422	90 mm	71.73
MIT-F25340118	90 mm	71.73
MIT-E85300320	95 mm	73.36
MIT-1853143	100 mm	75.32
MIT-A04501423	100 mm	75.32
MIT-F15302319	100 mm	30.09
MIT-F25340058	100 mm	75.32
MIT-A04903618	110 mm	77.16

MITSUBISHI LIFT TRUCKS

Kit Number	Code (Pg. xiv)	Rod X Bore Size	List Price
MIT-91254-10330	P-U-10	22 X 45mm	\$75.38
MIT-91254-30330	P-U-10	22 X 45mm	66.43
MIT-91255-11120	I-U-10	22.4 X 45 mm	67.07
MIT-91273-30150	Valve Kit		9.54
MIT-91273-30220	Valve Kit		9.30
MIT-91854-15310	I-U-10	25 X 55 mm	60.43
MIT-91854-40230	P-U-10	25 X 55 mm	78.07
MIT-91872-22120	Valve Kit		13.86
MIT-93051-00028	I-U-4	2 in X 75 mm	193.47
MIT-93051-10068	I-U-4	40 X 50 mm	81.94
MIT-94004-00120	P-UB-1	30 mm Rod Kit	61.71
MIT-94004-00130	N-N-15	63 mm Piston Kit	92.13
MIT-94104-00110	N-N-13	70 mm Piston Kit	115.40
MIT-94104-00120	P-UB-1	35 mm Rod Kit for 70 mm Bore	64.76
MIT-94104-00170	I-U-10	30 X 63 mm	83.64
MIT-94114-00110	I-U-4	50 X 70 mm	134.26
MIT-94114-00210	I-U-4	60 X 70 mm	75.35
MIT-94119-00018	I-U-1	70 mm Rod Kit	73.89
MIT-94119-00048	I-U-1	50 mm Rod Kit	34.94
MIT-94119-00068	P-U-1	32 mm Rod Kit	63.89
MIT-94119-00088	P-U-1	32 mm	67.93
MIT-94133-00018	I-N-4	40 X 50 mm	105.99
MIT-94151-00018	P-U-1	70 mm Rod Kit	78.45
MIT-94151-00028	P-U-1	70 mm Rod Kit	84.46
MIT-94162-00018	P-U-4	35 X 45 mm	72.44
MIT-94204-10120	I-U-10	35 X 70 mm	40.72
MIT-94219-00018	P-U-1	35 mm Rod Kit	26.58
MIT-94219-00028	P-U-1	35 mm Rod Kit	42.99
MIT-94251-00018	I-U-1	75 mm Rod Kit	74.39
MIT-94251-00038	P-U-1	75 mm Rod Kit	102.40
MIT-94251-00058	P-U-1	75 mm Rod Kit	79.81
MIT-94262-00028	P-U-4	40 X 50 mm	137.96
MIT-94304-00110	N-N-13	80 mm Piston Kit	128.13
MIT-94304-00120	P-UB-1	35 mm Rod Kit for 80 mm Bore	73.00
MIT-94304-10140	I-U-10	35 X 80 mm	61.30
MIT-94314-00110	I-U-1	65 X 80 mm	75.47
MIT-94319-00018	I-U-1	60 mm Rod Kit	40.39
MIT-94319-00038	I-U-1	85 mm Rod Kit	70.53
MIT-94319-00068	P-U-1	40 mm Rod Kit	28.40
MIT-94319-00088	I-U-1	40 mm Rod Kit	90.52

MITSUBISHI LIFT TRUCKS

Kit Number	Code (Pg. xiv)	Rod X Bore Size	List Price
MIT-94351-00018	I-U-1	80 mm Rod Kit	\$53.79
MIT-94351-00028	P-U-1	45 X 55 mm	160.41
MIT-94351-00038	P-U-1	85 mm Rod Kit	108.12
MIT-94351-00068	P-U-1	85 mm Rod Kit	102.19
MIT-94362-00018	P-U-1	45 X 55 mm	160.41
MIT-94404-00120	P-UB-3	45 X 90 mm	96.78
MIT-94404-10140	I-U-10	40 X 80 mm	144.73
MIT-94404-10160	I-U-10	40 X 90 mm	120.42
MIT-94504-02090	P-U-1	40 X 100 mm	80.26

MOFFETT

Kit Number	Code (Pg. xiv)	Rod X Bore Size	List Price
MOFT-270021	I-V-15	40 X 75 mm	\$94.77
MOFT-270078	I-V-15	1-3/4 X 90 mm	92.39
MOFT-270711	I-U-15	1 X 2	37.72
MOFT-519-023-0000	I-U-15	25 X 50 mm	69.79
MOFT-519-024-0001	I-U-15	35 X 80 mm	33.90
MOFT-519-024-0002	I-U-15	40 X 90 mm	32.79

MONARCH ROAD MACHINERY

Kit Number	Code (Pg. xiv)	Rod X Bore Size	List Price
MRM-5117	I-V-1	1-1/2" ROD	\$25.22
MRM-5127	I-V-1	2" ROD	32.66
MRM-5137	I-V-1	2-1/2" ROD	37.94
MRM-5147	I-V-1	3" ROD	44.87
MRM-5157	I-V-1	3-1/2" ROD	57.24
MRM-5385	I-V-7	1-1/2 X 3	71.53
MRM-637405	P-OB-3	1-1/4 X 4	31.88

MORBARK

Kit Number	Code (Pg. xiv)	Rod X Bore Size	List Price
MB25180-210	I-U-5	2 X 4	\$86.36
MB26815-053	P-U-10	1-1/4 X 2-1/2	52.17
MB26815-054	I-U-10	1-1/2 X 3	40.28
MB26815-059	I-U-10	2-1/2 X 5	69.56
MB26815-060	I-U-10	2-1/2 X 5-1/2	86.02
MB26815-061-M	I-U-10	2 X 4	71.42
MB26815-071	I-U-10	3 X 6	138.88
MB26815-071-A	I-U-10	3 X 6	128.20
MB26815-171	I-U-10	2-1/2 X 5-1/2	110.53
MB26815-172	I-U-10	2 X 4	130.51
MB26815-178	I-U-10	3 X 6	105.15

Replacement Kits For

NEW HOLLAND

Backhoe Loaders								
APPLICATION	CYL #	SERIAL #	Misc	CODE	ROD	BORE	KIT #	List \$
MODEL 555E								
LOADER BUCKET	85800500	1/96 -		P-UB-10	40 mm	80 mm	NH-85804740	88.66
LOADER LIFT	85800100	1/96 -		P-UB-10	50 mm	90 mm	NH-85802567	102.72
STABILIZER	85800600	1/96 -		P-UB-10	56 mm	100 mm	NH-85802571	78.15
SWING	85800300	1/96 -		P-UB-10	50 mm	110 mm	NH-85802570	122.08
	85800355	1/96 -		P-UB-10	2	110 mm	NH-87428631	116.68
MODEL B95								
BACKHOE BUCKET	87315527	1/06 -	Gland & Piston Not Included	P-UB-10	2-1/2	90 mm	NH-87428629	96.63
BACKHOE CROWD	87315531	1/06-2/13/08		P-UB-10	2-1/2	4-1/2	NH-87428632	138.19
	87315531	2/13/08 -		P-UB-10	2-1/2	4-1/2	NH-87633295	169.91
BACKHOE LIFT	87315532	1/06 -		P-UB-10	2-1/2	130 mm	NH-87428633	182.69
	87315535		Telescopic Dipper	P-UB-10,12	2-1/2	135 mm	NH-87428634	311.47
LOADER BUCKET	87315521	1/06 -		P-UB-10	1-5/8	80 mm	NH-87428627	64.03
	87573861	1/06 -		I-U-15	45 mm	80 mm	NH-87573868	98.91
LOADER LIFT	87315525	1/06 -		P-UB-10	2	90 mm	NH-87428628	103.06
STABILIZER	87315528	1/06 -	Center Pivot	P-UB-14	2-1/4	4	NH-84209920	133.59
STEERING	85805978			I-U-10	38 mm	63 mm	NH-85805990	100.11
SWING	87315529	1/06 -		P-UB-10	2	110 mm	NH-87428631	116.68
TELESCOPIC DIPPER - LONG	87315519			P-UB-10	2	2-3/4	NH-87428620	61.04
	87327259			P-UB-10	1-3/4	3	NH-87342131	63.81
TELESCOPIC DIPPER - SHORT	85800860			P-UB-10	2	2-3/4	NH-87428620	61.04
	87315517			P-UB-10	2	2-3/4	NH-87428620	61.04
	87327261	-031057763		P-UB-10	1-3/4	3	NH-87342131	63.81
	87327264	031057764-		P-UB-10	1-3/4	3	NH-87342131	63.81
MODEL B95B - TIER 3 (11/10-)								
BACKHOE BUCKET (4.42M ARM)	87499150			P-UB-10	2-1/2	3-1/2	NH-1542923C2	104.82
BOOM (4.42M ARM)	87487863			P-UB-10,12	2-1/2	5	NH-84154166	112.84
LOADER BUCKET	87315521			P-UB-10	1-5/8	80 mm	NH-87428627	64.03
LOADER BUCKET (4X1-6X1)	87573861			I-U-15	45 mm	80 mm	NH-87573868	98.91
LOADER LIFT	87315525			P-UB-10	2	90 mm	NH-87428628	103.06
STABILIZER (CENTER PIVOT)	84209918			P-UB-14	2-1/4	4	NH-84209920	133.59
SWING	87315529			P-UB-10	2	110 mm	NH-87428631	116.68
TELESCOPIC ARM (4.42M)	87327264			P-UB-10	1-3/4	3	NH-87342131	63.81
MODEL B95B - TIER 3 (2008)								
BACKHOE BUCKET	87382007	-N8GH22682		P-UB-10	2-1/2	3-1/2	NH-1542923C2	104.82
	87499150	N8GH22683-		P-UB-10	2-1/2	3-1/2	NH-1542923C2	104.82
BOOM	87487863			P-UB-10,12	2-1/2	5	NH-84154166	112.84
BOOM (TELESCOPIC ARM)	87499560	N8GH22725-	AFTER 3/2/2009	P-UB-10,12	2-1/2	5-1/4	NH-84155594	163.80
	87597583	-N8GH22724	BEFORE 3/2/2009	P-UB-10,12	2-1/2	5-1/4	NH-87654843	152.15
DITCHING (ARM)	87382083		BEFORE 10/3/2008	P-UB-10	2-1/2	4-3/4	NH-87654844	90.54
	87382083		AFTER 10/3/2008	P-UB-10	2-1/2	4-3/4	NH-84155586	92.95
	87594954			P-UB-10	2-1/2	5	NH-84154167	89.61
LOADER BUCKET	87315521			P-UB-10	1-5/8	80 mm	NH-87428627	64.03
	87573861			I-U-15	45 mm	80 mm	NH-87573868	98.91
LOADER LIFT	87315525			P-UB-10	2	90 mm	NH-87428628	103.06
STABILIZER	84209918	NAHH00547-		P-UB-14	2-1/4	4	NH-84209920	133.59

FORMERLY LISTED REPAIR PARTS ARE AVAILABLE ONLINE AT WWW.HERCULESUS.COM OR BY CONTACTING YOUR REGIONAL HERCULES SALES TEAM.

Replacement Kits For

NEW HOLLAND

Backhoe Loaders								
APPLICATION	CYL #	SERIAL #	Misc	CODE	ROD	BORE	KIT #	List \$
MODEL B95B - TIER 3 (2008)								
STABILIZER	87315528	-NAHH00547		P-UB-14	2-1/4	4	NH-84155591	133.59
SWING	874315529			P-UB-10	2	110 mm	NH-87428631	116.68
TELESCOPIC ARM (LONG)	87327259			P-UB-10	1-3/4	3	NH-87342131	63.81
TELESCOPIC ARM (SHORT)	87327264			P-UB-10	1-3/4	3	NH-87342131	63.81
MODEL B95C								
BOOM	47905408			I-UB-10	65 mm	130 mm	NH-47568720	131.14
	84562645			P-UB-10,12	2-1/2	5	NH-84154166	112.84
	84562647			P-UB-10,12	2-1/2	5-1/4	NH-84155594	163.80
BUCKET	47605011			I-UB-10	65 mm	90 mm	NH-47568736	158.06
	47714749			I-U-15	45 mm	80 mm	NH-87573868	98.91
	87499150			P-UB-10	2-1/2	3-1/2	NH-1542923C2	104.82
DIPPER	47401825			P-UB-10	2-1/2	4-3/4	NH-84155586	92.95
	47401832			P-UB-10	2-1/2	5	NH-84154167	89.61
	47905409; 47905410			P-U-10	45 mm	75 mm	NH-47917961	87.65
	47972139			I-UB-10	65 mm	90 mm	NH-47568736	158.06
	87327264; 87327259			P-UB-10	1-3/4	3	NH-87342131	63.81
LOADER LIFT	87315525			P-UB-10	2	90 mm	NH-87428628	103.06
LOADER TILT	87315521			P-UB-10	1-5/8	80 mm	NH-87428627	64.03
STABILIZER	84209918			P-UB-14	2-1/4	4	NH-84209920	133.59
STEERING (2WD; 4WD Short Oscillation)	84264406			I-U-10	40 mm	70 mm	NH-84331720	182.10
STEERING (4WD)	84264405			I-U-10	36 mm	63 mm	NH-84330972	105.00
SWING	47699351; 87315529			P-UB-10	2	110 mm	NH-87445307-NP	103.75
MODEL LB75								
BACKHOE CROWD	85800940	9/00 -		P-UB-10	63 mm	4-1/2	NH-85819350	256.76
	87410343	9/00 -		P-UB-10	2-1/2	4-1/2	NH-87633295	169.91
	87410343	9/00-2/3/08		P-UB-10	2-1/2	4-1/2	NH-87428632	138.19
BACKHOE LIFT	87410346	9/00 -		P-UB-10	2-1/2	130 mm	NH-87428633	182.69
BUCKET	85800560	9/00 -		P-UB-10	1-5/8	80 mm	NH-87428627	64.03
	85800911	9/00 -		P-UB-10	2-1/2	90 mm	NH-87428629	96.63
LIFT	85800160	9/00 -		P-UB-10	2	90 mm	NH-87428628	103.06
	85800250	9/00 -		P-UB-10	2-1/2	130 mm	NH-87428633	182.69
	85800260	9/00 -		P-UB-10	2-1/2	130 mm	NH-87428633	182.69
LOADER BUCKET	85800500	6/99-8/00		P-UB-10	40 mm	80 mm	NH-85804740	88.66
	87410327	9/00 -		P-UB-10	1-5/8	80 mm	NH-87428627	64.03
	9968163	6/99-8/00		P-U-15	1-1/2	2-3/4	NH-9968164	40.12
LOADER LIFT	85800100	6/99-8/00		P-UB-10	50 mm	90 mm	NH-85802567	102.72
	87410330	9/00 -		P-UB-10	2	90 mm	NH-87428628	103.06
ROTATION PLATE	85800300	6/99-8/00		P-UB-10	50 mm	110 mm	NH-85802570	122.08
STABILIZER	85800660	9/00 -		P-UB-10	50 mm	110 mm	NH-85819356	64.31
	E7NNB580BB	6/99-8/00		P-UB-10	2	2-3/4	NH-87428620	61.04
SWING	85800355	6/99-8/00		P-UB-10	2	110 mm	NH-87428631	116.68
	85800360	9/00 -		P-UB-10	2	110 mm	NH-87428631	116.68
	85800360	9/00 -	Before Date Code 0A26A2	P-UB-10	50 mm	110 mm	NH-85802570	122.08
	85800365	9/00 -		P-UB-10	2	110 mm	NH-87428631	116.68
	85824430	9/00 -		P-UB-10	2	110 mm	NH-87428631	116.68
MODEL LB75B								
BACKHOE ARM (DITCHING)	85800940	031044851-		P-UB-10	63 mm	4-1/2	NH-85819350	256.76
	87410343	031044851-		P-UB-10	2-1/2	4-1/2	NH-87633295	169.91
	87439682	031044851-		P-UB-10	63 mm	4-1/2	NH-85819350	256.76

NEW HOLLAND

Replacement Kits For

NEW HOLLAND

Backhoe Loaders								
APPLICATION	CYL #	SERIAL #	Misc	CODE	ROD	BORE	KIT #	List \$
MODEL LB75B								
BACKHOE BUCKET	87410333	031044851-		P-UB-10	2-1/2	90 mm	NH-87428629	96.63
BACKHOE LIFT	85800260	031044851-		P-UB-10	2-1/2	130 mm	NH-87428633	182.69
	87410346	031044851-		P-UB-10	2-1/2	130 mm	NH-87428633	182.69
LOADER BUCKET	85800560	031044851-		P-UB-10	1-5/8	80 mm	NH-87428627	64.03
	85820005	031044851-		I-U-15	45 mm	80 mm	NH-85824250	98.91
	87410327	031044851-		P-UB-10	1-5/8	80 mm	NH-87428627	64.03
LOADER LIFT	85800160	031044851-		P-UB-10	2	90 mm	NH-87428628	103.06
	87410330	031044851-		P-UB-10	2	90 mm	NH-87428628	103.06
STABILIZER	87410336	031044851-		P-UB-14	2-1/4	4	NH-84209920	133.59
STABILIZER (CENTER PIVOT)	85800660	031044851-		P-UB-10	50 mm	110 mm	NH-85819356	64.31
STEERING	85805978	031044851-		I-U-10	38 mm	63 mm	NH-85805990	100.11
SWING	85824430	-031053254		P-UB-10	2	110 mm	NH-87428631	116.68
	87450926	031053255-		P-UB-10	2	110 mm	NH-87428631	116.68
MODEL LB90								
ARM (DITCHING)	85800940			P-UB-10	63 mm	4-1/2	NH-85819350	256.76
	87410343		BEFORE 2/3/08	P-UB-10	2-1/2	4-1/2	NH-87428632	138.19
	87410343		AFTER 2/3/08	P-UB-10	2-1/2	4-1/2	NH-87633295	169.91
BACKHOE BUCKET	85800911			P-UB-10	2-1/2	90 mm	NH-85819358	96.63
BOOM	85800250		NOT PAINTED	P-UB-10,12	2-1/2	130 mm	NH-85819299	182.69
	85800260			P-UB-10,12	2-1/2	130 mm	NH-85819299	182.69
	87410346			P-UB-10	2-1/2	130 mm	NH-87428633	182.69
LOADER BUCKET	87410327			P-UB-10	1-5/8	80 mm	NH-87428627	64.03
LOADER LIFT	85800160			P-UB-10	2	90 mm	NH-85819352	103.06
	87410330			P-UB-10	2	90 mm	NH-87428628	103.06
STABILIZER (CENTER PIVOT)	85800660			P-UB-10	50 mm	110 mm	NH-85819356	64.31
	87410336			P-UB-14	2-1/4	4	NH-84155591	133.59
STABILIZER (SIDE SHIFT)	85800922			P-UB-10	2	2-3/4	NH-85819351	61.04
	87410324			P-UB-10	2	2-3/4	NH-87428620	61.04
SWING	85800360		BEFORE DATE CODE 0A26A2	P-UB-10	50 mm	110 mm	NH-85802570	122.08
	85800360		AFTER DATE CODE 0A26A2	P-UB-10	2	110 mm	NH-85819353	116.68
	85800365			P-UB-10	2	110 mm	NH-85819353	116.68
	85824430			P-UB-10	2	110 mm	NH-85819353	116.68
TELESCOPIC DIPPER - SHORT	85800860			P-UB-10	2	2-3/4	NH-85819357	61.04
	87411476			P-UB-10	2	2-3/4	NH-87428620	61.04
MODEL LB90B								
ARM (DITCHING)	85800940	031044887-		P-UB-10	63 mm	4-1/2	NH-85819350	256.76
	87410343	031044887-	BEFORE 2/3/08	P-UB-10	2-1/2	4-1/2	NH-87428632	138.19
	87410343	031044887-	AFTER 2/3/08	P-UB-10	2-1/2	4-1/2	NH-87633295	169.91
	87439682	031044887-		P-UB-10	63 mm	4-1/2	NH-85819350	256.76
BACKHOE BUCKET	87410333	031044887-		P-UB-10	2-1/2	90 mm	NH-87428629	96.63
BOOM	85800260	031044887-		P-UB-10,12	2-1/2	130 mm	NH-85819299	182.69
	87410346	031044887-		P-UB-10	2-1/2	130 mm	NH-87428633	182.69
LOADER BUCKET	87410327	031044887-		P-UB-10	1-5/8	80 mm	NH-87428627	64.03
LOADER LIFT	85800160	031044887-		P-UB-10	2	90 mm	NH-85819352	103.06
	87410330	031044887-		P-UB-10	2	90 mm	NH-87428628	103.06
STABILIZER	85800660	031044887-		P-UB-10	50 mm	110 mm	NH-85819356	64.31
	87410336	031044887-		P-UB-14	2-1/4	4	NH-84155591	133.59
SWING	85824430	-031053254		P-UB-10	2	110 mm	NH-85819353	116.68
	87450926	031053255-		P-UB-10	2	110 mm	NH-87428631	116.68

NEW HOLLAND

Replacement Kits For

NEW HOLLAND

NEW HOLLAND

Backhoe Loaders								
APPLICATION	CYL #	SERIAL #	Misc	CODE	ROD	BORE	KIT #	List \$
MODEL LB90B								
TELESCOPIC DIPPER - SHORT	85800860	031044887-		P-UB-10	2	2-3/4	NH-85819357	61.04
	87411476	031044887-		P-UB-10	2	2-3/4	NH-87428620	61.04
MODEL LB110								
BACKHOE BOOM	85800830	09/00-		P-UB-10	2-1/2	135 mm	NH-85819232	441.56
	85800830	09/00-		P-UB-10,12	2-1/2	135 mm	NH-87428634	311.47
	87410321	09/00-		P-UB-10,12	2-1/2	135 mm	NH-87428634	311.47
BACKHOE BUCKET	85800911	09/00-		P-UB-10	2-1/2	90 mm	NH-87428629	96.63
BUCKET	85800911	09/00-		P-UB-10	2-1/2	90 mm	NH-87428629	96.63
BUCKET TILT	85800560	09/00-		P-UB-10	1-5/8	80 mm	NH-87428627	64.03
	87410327	09/00-		P-UB-10	1-5/8	80 mm	NH-87428627	64.03
CLAM 4X1-6X1	85820005	09/00-		I-U-15	45 mm	80 mm	NH-85824250	98.91
DIPPER	85800940	09/00-		P-UB-10	63 mm	4-1/2	NH-85819350	256.76
	87410343	09/00-	-02/03/2008	P-UB-10	2-1/2	4-1/2	NH-87428632	138.19
	87410343	09/00-	02/03/2008-	P-UB-10	2-1/2	4-1/2	NH-87633295	169.91
DIPPER EXTENSION	85800760	09/00-		P-UB-10	2	2-3/4	NH-87428620	61.04
	87411473	09/00-		P-UB-10	2	2-3/4	NH-87428620	61.04
LIFT	85800160	09/00-		P-UB-10	2	90 mm	NH-87428628	103.06
	87410330	09/00-		P-UB-10	2	90 mm	NH-87428628	103.06
LIFT CYL	85800160	09/00-		P-UB-10	2	90 mm	NH-87428628	103.06
	87410330	09/00-		P-UB-10	2	90 mm	NH-87428628	103.06
SLEW STAKED	85824430	31044515-		P-UB-10	2	110 mm	NH-87428631	116.68
SLEW THREADED	85800365	31024291-31044		P-UB-10	2	110 mm	NH-87428631	116.68
SLEW WELDED	85800360	-31024290	-0A26A2	P-UB-10	50 mm	110 mm	NH-85802570	122.08
	85800360	-31024290	0A26A2-	P-UB-10	2	110 mm	NH-87428631	116.68
STABILISER, CENTRE PIVOT	85800660	09/00-		P-UB-10	50 mm	110 mm	NH-85819356	64.31
	87410336	09/00-		P-UB-14	2-1/4	4	NH-84209920	133.59
STABILISER, SIDESHIFT	85800922	09/00-		P-UB-10	2	2-3/4	NH-87428620	61.04
	87410324	09/00-		P-UB-10	2	2-3/4	NH-87428620	61.04
STABILIZERS	85800660	09/00-		P-UB-10	50 mm	110 mm	NH-85819356	64.31
	85800922	09/00-		P-UB-10	2	2-3/4	NH-87428620	61.04
	87410324	09/00-		P-UB-10	2	2-3/4	NH-87428620	61.04
	87410336	09/00-		P-UB-14	2-1/4	4	NH-84209920	133.59
STEERING	85805978	09/00-		I-U-10	38 mm	63 mm	NH-85805990	100.11
SWING (STAKED)	85824430	31044515-		P-UB-10	2	110 mm	NH-87428631	116.68
SWING (THREADED)	85800365	31024291-31044		P-UB-10	2	110 mm	NH-87428631	116.68
SWING (WELDED)	85800360	-31024290	0A26A2-	P-UB-10	2	110 mm	NH-87428631	116.68
	85800360	-31024290	-0A26A2	P-UB-10	50 mm	110 mm	NH-85802570	122.08
TILT	85800560	09/00-		P-UB-10	1-5/8	80 mm	NH-87428627	64.03
	87410327	09/00-		P-UB-10	1-5/8	80 mm	NH-87428627	64.03
MODEL LB110B								
BACKHOE BOOM	85800830	031044996-		P-UB-10	2-1/2	135 mm	NH-85819232	441.56
	85800830	31044793	LONG REACH	P-UB-10	2	90 mm	NH-87428628	103.06
	87410321	031044996-		P-UB-10,12	2-1/2	135 mm	NH-87428634	311.47
	87410321	31044793	LONG REACH	P-UB-10,12	2-1/2	135 mm	NH-87428634	311.47
BACKHOE BUCKET	87315527	01/05-		P-UB-10	2-1/2	90 mm	NH-87428629	96.63
	87410333	031044996-		P-UB-10	2-1/2	90 mm	NH-87428629	96.63
BOOM LIFT	87315535	01/05-		P-UB-10,12	2-1/2	135 mm	NH-87428634	311.47
BUCKET	87410333	31044793		P-UB-10	2-1/2	90 mm	NH-87428629	96.63
BUCKET 4X1-6X1	85820005	31044793		I-U-15	45 mm	80 mm	NH-85824250	98.91
CLAMSHELL	85820005	031044996-		I-U-15	45 mm	80 mm	NH-85824250	98.91
	87573861	01/05-		I-U-15	45 mm	80 mm	NH-87573868	98.91
DIPPER	85800940	031044996-		P-UB-10	63 mm	4-1/2	NH-85819350	256.76
	85800940	31044793		P-UB-10	63 mm	4-1/2	NH-85819350	256.76

Replacement Kits For

NEW HOLLAND

NEW HOLLAND

Backhoe Loaders								
APPLICATION	CYL #	SERIAL #	Misc	CODE	ROD	BORE	KIT #	List \$
MODEL LB110B								
DIPPER	87315531	01/05-	02/13/2008-	P-UB-10	2-1/2	4-1/2	NH-87633295	169.91
	87315531	01/05-	-02/13/2008	P-UB-10	2-1/2	4-1/2	NH-87428632	138.19
	87410343	031044996-	-02/03/2008	P-UB-10	2-1/2	4-1/2	NH-87428632	138.19
	87410343	031044996-	02/03/2008-	P-UB-10	2-1/2	4-1/2	NH-87633295	169.91
	87410343	31044793	02/03/2008-	P-UB-10	2-1/2	4-1/2	NH-87633295	169.91
	87410343	31044793	-02/03/2008	P-UB-10	2-1/2	4-1/2	NH-87428632	138.19
	87439682	031044996-		P-UB-10	63 mm	4-1/2	NH-85819350	256.76
	87439682	31044793		P-UB-10	63 mm	4-1/2	NH-85819350	256.76
DIPPER EXTENSION	85800760	031044996-		P-UB-10	2	2-3/4	NH-87428620	61.04
	85800760	31044793	LONG REACH	P-UB-10	2	2-3/4	NH-87428620	61.04
	87315519	01/05-		P-UB-10	2	2-3/4	NH-87428620	61.04
	87327259	01/05-		P-UB-10	1-3/4	3	NH-87342131	63.81
	87411473	031044996-		P-UB-10	2	2-3/4	NH-87428620	61.04
	87411473	31044793	LONG REACH	P-UB-10	2	2-3/4	NH-87428620	61.04
LIFT	85800160	031044996-		P-UB-10	2	90 mm	NH-87428628	103.06
	85800160	31044793	-04/03	P-UB-10	2	90 mm	NH-87428628	103.06
	87315525	01/05-		P-UB-10	2	90 mm	NH-87428628	103.06
	87410330	031044996-		P-UB-10	2	90 mm	NH-87428628	103.06
	87410330	31044793		P-UB-10	2	90 mm	NH-87428628	103.06
SLEW	85824430	-031053254		P-UB-10	2	110 mm	NH-87428631	116.68
	87450926	031053255-		P-UB-10	2	110 mm	NH-87428631	116.68
STABILIZER	85800660	031044996-		P-UB-10	50 mm	110 mm	NH-85819356	64.31
	85800922	031044996-		P-UB-10	2	2-3/4	NH-87428620	61.04
	87410336	031044996-		P-UB-14	2-1/4	4	NH-84209920	133.59
STABILIZER CENTRE PIVOT	87315528	01/05-		P-UB-14	2-1/4	4	NH-84209920	133.59
STABILIZER SIDE SHIFT	87315514	01/05-		P-UB-10	2	2-3/4	NH-87428620	61.04
	87574186	N7GH08034-		P-UB-10	2	2-3/4	NH-87608671	69.17
STABILIZERS	85800660	31044793	Centre Pivot	P-UB-10	50 mm	110 mm	NH-85819356	64.31
	85800922	31044793	Side Shift	P-UB-14	2-1/4	4	NH-84209920	133.59
	87410324	31044793	Side Shift	P-UB-10	2	2-3/4	NH-87428620	61.04
	87410336	31044793	Centre Pivot	P-UB-14	2-1/4	4	NH-84209920	133.59
SWING	85824430	-31053254	-31053254	P-UB-10	2	110 mm	NH-87428631	116.68
	87315529	01/05-		P-UB-10	2	110 mm	NH-87428631	116.68
	87450926	31053255-	31053255-	P-UB-10	2	110 mm	NH-87428631	116.68
TILT	85800560	031044996-		P-UB-10	1-5/8	80 mm	NH-87428627	64.03
	85800560	31044793		P-UB-10	1-5/8	80 mm	NH-87428627	64.03
	87315521	01/05-		P-UB-10	1-5/8	80 mm	NH-87428627	64.03
	87410327	031044996-		P-UB-10	1-5/8	80 mm	NH-87428627	64.03
	87410327	31044793		P-UB-10	1-5/8	80 mm	NH-87428627	64.03

Excavators - Compact								
APPLICATION	CYL #	SERIAL #	Misc	CODE	ROD	BORE	KIT #	List \$
MODEL C232								
BOOM (LH)	84340476			P-UB-10,12	1-3/4	2-1/2	NH-84480921	66.19
BOOM (RH)	84340475			P-UB-10,12	1-3/4	2-1/2	NH-84480921	66.19
BUCKET	47364444			I-UB-10	1-1/2	3	NH-47364492	41.67
	84290565			P-UB-10	1-1/2	3	NH-84480948	46.29
COUPLER	87442337			I-U-11	3/4	1-1/2	NH-86518284	30.45
MODEL C238								
BOOM (LH)	47416040			I-UB-10	1-3/4	2-3/4	NH-47416073	119.97
	84527650			P-UB-10,12	2	2-3/4	NH-84530079	69.13
BOOM (RH)	47416042			I-UB-10	1-3/4	2-3/4	NH-47416073	119.97
	84527652			P-UB-10,12	2	2-3/4	NH-84530079	69.13
BUCKET	47364444			I-UB-10	1-1/2	3	NH-47364492	41.67

FORMERLY LISTED REPAIR PARTS ARE AVAILABLE ONLINE AT WWW.HERCULESUS.COM
OR BY CONTACTING YOUR REGIONAL HERCULES SALES TEAM.

Replacement Kits For

NEW HOLLAND

NEW HOLLAND

Excavators - Compact								
APPLICATION	CYL #	SERIAL #	Misc	CODE	ROD	BORE	KIT #	List \$
MODEL C238								
BUCKET	84290565			P-UB-10	1-1/2	3	NH-84480948	46.29
COUPLER	87442337			I-U-11	3/4	1-1/2	NH-86518284	30.45
MODEL E35B SR								
ARM	87571804	03/11-	BSN NBLN00650	P-U-10	45 mm	75 mm	NH-72280241	110.13
	PW01V00070F2	03/11-	ASN NBLN00651	P-U-10	45 mm	75 mm	NH-72280241	110.13
BOOM	8756635	03/11-	BSN NBLN00650	P-U-10	45 mm	80 mm	NH-72280454	104.39
	PW01V00068F1	03/11-	ASN NBLN00651	P-U-10	45 mm	80 mm	NH-72280454	104.39
	PW01V00071F1	03/11-	BSN NBLN00650/AS N NBLN00651	P-U-10	45 mm	80 mm	NH-72280454	104.39
BUCKET	87573317	03/11-	BSN NBLN00650	P-U-10	40 mm	65 mm	NH-72280251	114.78
	PX01V00064F1	03/11-		P-U-10	40 mm	65 mm	NH-72280251	114.78
DOZER	72286391	03/11-		P-U-10	50 mm	100 mm	NH-72280261	111.37
SWING	72286392	03/11-		P-U-10	45 mm	80 mm	NH-72280268	124.29
MODEL E35SR								
BOOM				P-U-10	50 mm	85 mm	NH- PX01V00030R300	151.54
BUCKET				P-U-10	35 mm	65 mm	NH- PW01V00046R300	106.54
DIPPER				P-U-10	45 mm	80 mm	NH- PW01V00048R300	94.69
SWING				P-U-10	45 mm	80 mm	NH- PW01V00043R300	104.39
MODEL E50B SR								
ARM	87345186	03/11-	BSN NBLN00652	P-U-10	50 mm	90 mm	NH-84365141	311.15
	PY01V00042F3	03/11-	ASN NBLN00653	P-U-10	50 mm	90 mm	NH-84365141	311.15
BOOM	84537235	03/11-	ASN NBLB00653	P-U-10	55 mm	100 mm	NH- PY01V00043R400	143.67
	87579029	03/11-	BSN NBLB00653	P-U-10	55 mm	100 mm	NH- PY01V00043R400	143.67
	87579037	03/11-	BSN NBLB00652	P-U-10	55 mm	100 mm	NH- PY01V00043R400	143.67
	PY01V00043F2	03/11-	ASN NBLB00653	P-U-10	55 mm	100 mm	NH- PY01V00043R400	143.67
BUCKET	87742171	03/11-	BSN NBLN00653	P-U-10	45 mm	75 mm	NH- PY01V00047R400	137.73
	PY01V00047F2	03/11-	BSN NBLN00652	P-U-10	45 mm	75 mm	NH- PY01V00047R400	137.73
DOZER	72284279	03/11-		P-U-10	55 mm	95 mm	NH-72284189	142.22
SWING	72283413	03/11-		P-U-10	50 mm	90 mm	NH-84365143	311.15
Loaders - Skid Steer								
APPLICATION	CYL #	SERIAL #	Misc	CODE	ROD	BORE	KIT #	List \$
MODEL C175								
BOOM	87442336	N7M4666429-		P-U-11	3/4	1-1/2	NH-86627859	21.59
	87459207	N7M467969-	EUROPE	P-U-11	1-3/8	2-1/2	NH-86570922	52.37
	87675772	N7M4666429-		P-U-11	1-3/8	2-1/2	NH-86570922	52.37
	87675772	N7M467969-	EUROPE	P-U-11	1-3/8	2-1/2	NH-86570922	52.37
BOOM LH	87736740	N7M4666429-		P-UB-10	1-3/8	2-1/2	NH-87644127	69.57
	87736740	N7M467969-	EUROPE	P-UB-10	1-3/8	2-1/2	NH-87644127	69.57
BOOM RH	87736741	N7M4666429-		P-UB-10	1-3/8	2-1/2	NH-87644127	69.57
	87736741	N7M467969-	EUROPE	P-UB-10	1-3/8	2-1/2	NH-87644127	69.57
BUCKET	87038978	N7M4666429-		P-U-11	1-1/4	2-1/4	NH-86570919	68.53

Replacement Kits For

NEW HOLLAND

NEW HOLLAND

Loaders - Skid Steer								
APPLICATION	CYL #	SERIAL #	Misc	CODE	ROD	BORE	KIT #	List \$
MODEL C175								
BUCKET	87038978	N7M467969-	EUROPE	P-U-11	1-1/4	2-1/4	NH-86570919	68.53
MOUNTING PLATE	87442336	N7M4666429-		P-U-11	3/4	1-1/2	NH-86627859	21.59
	87442336	N7M467969-	EUROPE	P-U-11	3/4	1-1/2	NH-86627859	21.59
MODEL C185								
BOOM	87038980	N8M472597-	EUROPE	P-U-11	1-1/2	2-1/2	NH-86570933	97.12
BOOM LH	87701859			P-UB-10	1-1/2	2-1/2	NH-87644128	80.51
BOOM RH	87701858			P-UB-10	1-1/2	2-1/2	NH-87644128	80.51
BUCKET	87038982	-N8M469897		P-U-11	1-1/4	2-1/2	NH-86570931	111.59
MOUNTING PLATE	87442336			P-U-11	3/4	1-1/2	NH-86627859	21.59
MODEL C190								
BOOM	87038985			P-U-11	1-3/4	2-3/4	NH-86536101	58.04
BOOM LH	87701861			P-UB-10	1-3/4	2-3/4	NH-87644129	57.31
BOOM RH	87701860			P-UB-10	1-3/4	2-3/4	NH-87644129	57.31
BUCKET	87038986			P-U-11	1-1/4	2-1/2	NH-86537054	133.89
MOUNTING PLATE	87442336			P-U-11	3/4	1-1/2	NH-86627859	21.59
MODEL L150								
BOOM	87038975	-N7M461810	EUROPE	P-U-11	1-3/8	2-1/2	NH-86570922	52.37
	87038975	-N7M466067		P-U-11	1-3/8	2-1/2	NH-86570922	52.37
	87038975	-N7M466068		P-U-11	1-3/8	2-1/2	NH-86570922	52.37
BOOM LH	87701855	-N7M461810	EUROPE	P-UB-10	1-3/8	2-1/2	NH-87644127	69.57
	87701855	-N7M466067		P-UB-10	1-3/8	2-1/2	NH-87644127	69.57
	87701855	-N7M466068		P-UB-10	1-3/8	2-1/2	NH-87644127	69.57
BOOM RH	87697439	-N7M461810	EUROPE	P-UB-10	1-3/8	2-1/2	NH-87644127	69.57
	87697439	-N7M466067		P-UB-10	1-3/8	2-1/2	NH-87644127	69.57
	87697439	-N7M466068		P-UB-10	1-3/8	2-1/2	NH-87644127	69.57
BUCKET	86631753	-N7M461810	EUROPE	P-U-11	1-1/8	1-7/8	NH-86570916	41.52
	86631753	-N7M466068		P-U-11	1-1/8	1-7/8	NH-86570916	41.52
	87038971	-N7M461810	EUROPE	P-U-11	1-1/8	1-7/8	NH-86570916	41.52
	87038971	-N7M466067		P-U-11	1-1/8	1-7/8	NH-86570916	41.52
	87038971	-N7M466068		P-U-11	1-1/8	1-7/8	NH-86570916	41.52
MODEL L160								
BOOM	86633432	-N7M448359		P-U-11	1-3/8	2-1/2	NH-86570922	52.37
	86633432	N7M448360-		P-U-11	1-3/8	2-1/2	NH-86570922	52.37
	87038977	-N7M448359		P-U-11	1-3/8	2-1/2	NH-86570922	52.37
	87038977	N7M448360-		P-U-11	1-3/8	2-1/2	NH-86570922	52.37
	87701856	-N7M448359		P-UB-10	1-3/8	2-1/2	NH-87644127	69.57
	87701856	N7M448360-		P-UB-10	1-3/8	2-1/2	NH-87644127	69.57
	87701857	-N7M448359		P-UB-10	1-3/8	2-1/2	NH-87644127	69.57
	87701857	N7M448360-		P-UB-10	1-3/8	2-1/2	NH-87644127	69.57
	87701857	N7M448360-		P-UB-10	1-3/8	2-1/2	NH-87644127	69.57
BUCKET	86633433	-N7M448359		P-U-11	1-1/4	2-1/4	NH-86570919	68.53
	87038978	-N7M448359		P-U-11	1-1/4	2-1/4	NH-86570919	68.53
	87038978	N7M448360-		P-U-11	1-1/4	2-1/4	NH-86570919	68.53
MOUNTING PLATE	87442336	-N7M448359		P-U-11	3/4	1-1/2	NH-86627859	21.59
	87442336	N7M448360-		P-U-11	3/4	1-1/2	NH-86627859	21.59
MODEL L170								
BOOM	86633432	- N7M456356		P-U-11	1-3/8	2-1/2	NH-86570922	52.37
	86633432	N7M456357 -		P-U-11	1-3/8	2-1/2	NH-86570922	52.37
	86633432	N7M468800 -	Europe	P-U-11	1-3/8	2-1/2	NH-86570922	52.37
	87038977	- N7M456356		P-U-11	1-3/8	2-1/2	NH-86570922	52.37
	87038977	N7M456357 -		P-U-11	1-3/8	2-1/2	NH-86570922	52.37
	87038977	N7M468800 -	Europe	P-U-11	1-3/8	2-1/2	NH-86570922	52.37
	87038977	N7M468800 -	Europe	P-U-11	1-3/8	2-1/2	NH-86570922	52.37
BOOM LH	87701857	- N7M456356		P-UB-10	1-3/8	2-1/2	NH-87644127	69.57
	87701857	N7M456357 -		P-UB-10	1-3/8	2-1/2	NH-87644127	69.57
	87701857	N7M468800 -	Europe	P-UB-10	1-3/8	2-1/2	NH-87644127	69.57
BOOM RH	87701856	- N7M456356		P-UB-10	1-3/8	2-1/2	NH-87644127	69.57

Replacement Kits For

NEW HOLLAND

NEW HOLLAND

Loaders - Skid Steer								
APPLICATION	CYL #	SERIAL #	Misc	CODE	ROD	BORE	KIT #	List \$
MODEL L170								
BOOM RH	87701856	N7M456357 -		P-UB-10	1-3/8	2-1/2	NH-87644127	69.57
	87701856	N7M468800 -	Europe	P-UB-10	1-3/8	2-1/2	NH-87644127	69.57
BUCKET	86633433	- N7M456356		P-U-11	1-1/4	2-1/4	NH-86570919	68.53
	87038978	- N7M456356		P-U-11	1-1/4	2-1/4	NH-86570919	68.53
	87038978	N7M456357 -		P-U-11	1-1/4	2-1/4	NH-86570919	68.53
	87038978	N7M468800 -	Europe	P-U-11	1-1/4	2-1/4	NH-86570919	68.53
MODEL L175								
BOOM	87459207	N7M470553-		P-U-11	1-3/8	2-1/2	NH-86570922	52.37
	87459207	N7M470572-		P-U-11	1-3/8	2-1/2	NH-86570922	52.37
	87460855	N7M470553-		P-U-11	1-3/8	2-1/2	NH-86570922	52.37
	87460855	N7M470572-		P-U-11	1-3/8	2-1/2	NH-86570922	52.37
	87675772	N7M470553-		P-U-11	1-3/8	2-1/2	NH-86570922	52.37
	87675772	N7M470572-		P-U-11	1-3/8	2-1/2	NH-86570922	52.37
	87736740	N7M470553-		P-UB-10	1-3/8	2-1/2	NH-87644127	69.57
	87736740	N7M470572-		P-UB-10	1-3/8	2-1/2	NH-87644127	69.57
	87736741	N7M470553-		P-UB-10	1-3/8	2-1/2	NH-87644127	69.57
	87736741	N7M470572-		P-UB-10	1-3/8	2-1/2	NH-87644127	69.57
BUCKET	87038978	N7M470553-		P-U-11	1-1/4	2-1/4	NH-86570919	68.53
	87038978	N7M470572-		P-U-11	1-1/4	2-1/4	NH-86570919	68.53
MOUNTING PLATE	87442336	-N7M468034		P-U-11	3/4	1-1/2	NH-86627859	21.59
	87442336	N7M470553-		P-U-11	3/4	1-1/2	NH-86627859	21.59
	87442336	N7M470572-		P-U-11	3/4	1-1/2	NH-86627859	21.59
MODEL L180								
BOOM	87038980	- N8M464425		P-U-11	1-1/2	2-1/2	NH-86570933	97.12
	87038980	N8M421368 -	Europe	P-U-11	1-1/2	2-1/2	NH-86570933	97.12
	87038980	N8M464426 -		P-U-11	1-1/2	2-1/2	NH-86570933	97.12
BOOM LH	87701859	- N8M464425		P-UB-10	1-1/2	2-1/2	NH-87644128	80.51
	87701859	N8M421368 -	Europe	P-UB-10	1-1/2	2-1/2	NH-87644128	80.51
	87701859	N8M464426 -		P-UB-10	1-1/2	2-1/2	NH-87644128	80.51
BOOM RH	87701858	- N8M464425		P-UB-10	1-1/2	2-1/2	NH-87644128	80.51
	87701858	N8M421368 -	Europe	P-UB-10	1-1/2	2-1/2	NH-87644128	80.51
	87701858	N8M464426 -		P-UB-10	1-1/2	2-1/2	NH-87644128	80.51
BUCKET	87038982	- N8M464425		P-U-11	1-1/4	2-1/2	NH-86570931	111.59
	87038982	N8M421368 -	Europe	P-U-11	1-1/4	2-1/2	NH-86570931	111.59
	87038982	N8M464426 -		P-U-11	1-1/4	2-1/2	NH-86570931	111.59
MODEL L185								
BOOM	87038980	- N8M465246		P-U-11	1-1/2	2-1/2	NH-86570933	97.12
	87038980	N8M465247 -		P-U-11	1-1/2	2-1/2	NH-86570933	97.12
	87038980	N8M467462 -	Europe	P-U-11	1-1/2	2-1/2	NH-86570933	97.12
BOOM LH	87701859	- N8M465246		P-UB-10	1-1/2	2-1/2	NH-87644128	80.51
	87701859	N8M465247 -		P-UB-10	1-1/2	2-1/2	NH-87644128	80.51
	87701859	N8M467462 -	Europe	P-UB-10	1-1/2	2-1/2	NH-87644128	80.51
BOOM RH	87701858	- N8M465246		P-UB-10	1-1/2	2-1/2	NH-87644128	80.51
	87701858	N8M465247 -		P-UB-10	1-1/2	2-1/2	NH-87644128	80.51
	87701858	N8M467462 -	Europe	P-UB-10	1-1/2	2-1/2	NH-87644128	80.51
BUCKET	87038982	- N8M465246		P-U-11	1-1/4	2-1/2	NH-86570931	111.59
MODEL L190								
BOOM	87038985	- N7M459486		P-U-11	1-3/4	2-3/4	NH-86536101	58.04
	87038985	N7M459487 -		P-U-11	1-3/4	2-3/4	NH-86536101	58.04
BOOM LH	87701861	- N7M459486		P-UB-10	1-3/4	2-3/4	NH-87644129	57.31
	87701861	N7M459487 -		P-UB-10	1-3/4	2-3/4	NH-87644129	57.31
BOOM RH	87701860	- N7M459486		P-UB-10	1-3/4	2-3/4	NH-87644129	57.31
	87701860	N7M459487 -		P-UB-10	1-3/4	2-3/4	NH-87644129	57.31
BUCKET	87038986	- N7M459486		P-U-11	1-1/4	2-1/2	NH-86537054	133.89

Replacement Kits For

NEW HOLLAND

NEW HOLLAND

Loaders - Skid Steer								
APPLICATION	CYL #	SERIAL #	Misc	CODE	ROD	BORE	KIT #	List \$
MODEL L190								
BUCKET	87038986	N7M459487 -		P-U-11	1-1/4	2-1/2	NH-86537054	133.89
MODEL L218								
BUCKET	47364448; 84290575			I-UB-10	1-3/4	2-1/2	NH-47364494	107.44
COUPLER	87442337			I-U-11	3/4	1-1/2	NH-86518284	30.45
LIFT (LH)	84358580			P-UB-10	1-3/8	2-1/4	NH-84480928	91.35
LIFT (RH)	84372033			P-UB-10	1-3/8	2-1/4	NH-84480928	91.35
MODEL L220								
BUCKET	47364446			I-UB-10	1-3/8	2-3/4	NH-47364493	108.86
COUPLER	87442337			I-U-11	3/4	1-1/2	NH-86518284	30.45
LIFT (LH)	84543463			P-UB-10,12	1-3/4	2-1/2	NH-84480921	66.19
LIFT (RH)	84543464			P-UB-10,12	1-3/4	2-1/2	NH-84480921	66.19
MODEL L223								
BOOM (LH)	84340476			P-UB-10,12	1-3/4	2-1/2	NH-84480921	66.19
BOOM (RH)	84340475			P-UB-10,12	1-3/4	2-1/2	NH-84480921	66.19
BUCKET	47364444			I-UB-10	1-1/2	3	NH-47364492	41.67
	84290565			P-UB-10	1-1/2	3	NH-84480948	46.29
COUPLER	87442337			I-U-11	3/4	1-1/2	NH-86518284	30.45
MODEL L225								
BOOM	84527650; 47416040			P-UB-10,12	2	2-3/4	NH-84530079	69.13
BOOM (LH)	84340476			P-UB-10,12	1-3/4	2-1/2	NH-84480921	66.19
BOOM (RH)	84340475			P-UB-10,12	1-3/4	2-1/2	NH-84480921	66.19
BUCKET	47364444			I-UB-10	1-1/2	3	NH-47364492	41.67
	614098			P-U-10	7/8	1-3/4	NH-272769	109.09
	84290565			P-UB-10	1-1/2	3	NH-84480948	46.29
COUPLER	87442337			I-U-11	3/4	1-1/2	NH-86518284	30.45
MODEL L228								
BUCKET	47364444			I-UB-10	1-1/2	3	NH-47364492	41.67
LIFT (LH)	47416040			I-UB-10	1-3/4	2-3/4	NH-47416073	119.97
LIFT (RH)	47416042			I-UB-10	1-3/4	2-3/4	NH-47416073	119.97
MODEL L230								
BUCKET	47364444			I-UB-10	1-1/2	3	NH-47364492	41.67
	84290565			P-UB-10	1-1/2	3	NH-84480948	46.29
COUPLER	87442337			I-U-11	3/4	1-1/2	NH-86518284	30.45
LIFT (LH)	47416040			I-UB-10	1-3/4	2-3/4	NH-47416073	119.97
	84527650			P-UB-10,12	2	2-3/4	NH-84530079	69.13
LIFT (RH)	47416042			I-UB-10	1-3/4	2-3/4	NH-47416073	119.97
	84527652			P-UB-10,12	2	2-3/4	NH-84530079	69.13
MODEL L454, L455								
BOOM	593204			I-U-10	1-1/4	1-1/2	NH-9610763	30.89
BUCKET	593390			P-U-10	1-1/2	3	NH-9610764	86.05
MODEL L553, L555								
BOOM	592567			I-U-10	1-1/2	1-7/8	NH-782679	61.49
BUCKET	593558			P-U-10	1-1/2	3	NH-9610764	86.05
MODEL L565, LX565, LX665								
BOOM (New)	86528677			P-U-10	1-3/8	2-1/2	NH-86527694	55.54
BOOM (Old)	9622429			P-U-10	1-3/8	2-1/2	NH-9801209	95.25
BUCKET(New)	86528678			P-U-11	1-1/4	2-1/4	NH-86570919	68.53
BUCKET(Old)	9622430			P-U-11	1-1/4	2-1/4	NH-86570919	68.53
GRAPPLE	9847007			P-U-10	1	1-1/2	NH-9600405	79.19
MODEL L781, L783, L785								
BOOM	86509051			I-U-10	1-1/2	2	NH-771707	66.76
BUCKET	771699			P-U-10	1-1/8	2-1/4	NH-771700	87.66
	86509051			P-U-10	1-1/8	2-1/4	NH-86509056	36.43
SELF LEVELING	264205			P-U-10	1-1/8	2-1/4	NH-219505	68.59

Replacement Kits For

NEW HOLLAND

Loaders - Skid Steer									
APPLICATION	CYL #	SERIAL #	Misc	CODE	ROD	BORE	KIT #	List \$	
MODEL LS865, LX865, L885, LX885									
BOOM	86528680			P-U-11	1-1/2	2-1/2	NH-86570933	97.12	
	9845805			P-U-10	1-3/8	2-1/2	NH-9801209	95.25	
BUCKET	86528679			P-U-10	1-1/4	2-1/2	NH-9843717	60.20	
MODEL LS140									
BOOM	86590821	9/99 -		P-U-11	1-1/4	2-1/4	NH-86570919	68.53	
	87038973	9/99 -		P-U-11	1-1/4	2-1/4	NH-86570919	68.53	
BUCKET	86631753	9/99 -		P-U-11	1-1/8	1-7/8	NH-86570916	41.52	
	87038971	9/99 -		P-U-11	1-1/8	1-7/8	NH-86570916	41.52	
MODEL LS150									
BOOM	86590848	9/99 -		P-U-11	1-3/8	2-1/2	NH-86570922	52.37	
	87038975	9/99 -		P-U-11	1-3/8	2-1/2	NH-86570922	52.37	
BUCKET	86631753	9/99 -		P-U-11	1-1/8	1-7/8	NH-86570916	41.52	
	87038971	9/99 -		P-U-11	1-1/8	1-7/8	NH-86570916	41.52	
MODEL LS160									
BOOM	86633432	9/99 -		P-U-11	1-3/8	2-1/2	NH-86570922	52.37	
	87038977	9/99 -		P-U-11	1-3/8	2-1/2	NH-86570922	52.37	
BUCKET	86633433	9/99 -		P-U-11	1-1/4	2-1/4	NH-86570919	68.53	
	87038978	9/99 -		P-U-11	1-1/4	2-1/4	NH-86570919	68.53	
MODEL LS170									
BOOM	86633432	9/99 -		P-U-11	1-3/8	2-1/2	NH-86570922	52.37	
	87038977	9/99 -		P-U-11	1-3/8	2-1/2	NH-86570922	52.37	
BUCKET	86633433	9/99 -		P-U-11	1-1/4	2-1/4	NH-86570919	68.53	
	87038978	9/99 -		P-U-11	1-1/4	2-1/4	NH-86570919	68.53	
MODEL LS180									
BOOM	86590828	9/99 -		P-U-11	1-1/2	2-1/2	NH-86570933	97.12	
BUCKET	86590829	9/99 -		P-U-11	1-1/4	2-1/2	NH-86570931	111.59	
MODEL LS180B									
BOOM	87038980	3/05 -		P-U-11	1-1/2	2-1/2	NH-86570933	97.12	
BOOM LH	87701859	3/05 -		P-UB-10	1-1/2	2-1/2	NH-87644128	80.51	
BOOM RH	87701858	3/05 -		P-UB-10	1-1/2	2-1/2	NH-87644128	80.51	
BUCKET	87038982	3/05 -		P-U-11	1-1/4	2-1/2	NH-86570931	111.59	
MODEL LS185B									
BOOM	87038980			P-U-11	1-1/2	2-1/2	NH-86570933	97.12	
BOOM LH	87701859			P-UB-10	1-1/2	2-1/2	NH-87644128	80.51	
BOOM RH	87701858			P-UB-10	1-1/2	2-1/2	NH-87644128	80.51	
BUCKET	87038982			P-U-11	1-1/4	2-1/2	NH-86570931	111.59	
MODEL LS190									
BOOM	86836659	9/99 -		P-U-11	1-3/4	2-3/4	NH-86536101	58.04	
BUCKET	86537048	9/99 -		P-U-11	1-1/4	2-1/2	NH-86537054	133.89	
MODEL LS190B									
BOOM	87038985			P-U-11	1-3/4	2-3/4	NH-86536101	58.04	
BOOM LH	87701861			P-UB-10	1-3/4	2-3/4	NH-87644129	57.31	
BOOM RH	87701860			P-UB-10	1-3/4	2-3/4	NH-87644129	57.31	
BUCKET	87038986			P-U-11	1-1/4	2-1/2	NH-86537054	133.89	
MODEL LX565									
BOOM	86528677	1/94-9/99		P-U-11	1-3/8	2-1/2	NH-86570922	52.37	
	9622429	1/94-9/99		P-U-11	1-3/8	2-1/2	NH-86518276	96.22	
BUCKET	86633433	1/94-9/99		P-U-11	1-1/4	2-1/4	NH-86570919	68.53	
	9622430	1/94-9/99		P-U-11	1-1/4	2-1/4	NH-86570919	68.53	
MODEL LX665									
BOOM	86528677	1/94-9/99		P-U-11	1-3/8	2-1/2	NH-86570922	52.37	
	9622429	1/94-9/99		P-U-11	1-3/8	2-1/2	NH-86518276	96.22	
BUCKET	86633433	1/94-9/99		P-U-11	1-1/4	2-1/4	NH-86570919	68.53	
	9622430	1/94-9/99		P-U-11	1-1/4	2-1/4	NH-86570919	68.53	
MODEL LX865									
BOOM	86528680	11/94-9/99		P-U-11	1-1/2	2-1/2	NH-86570933	97.12	

NEW HOLLAND

Replacement Kits For

NEW HOLLAND

Loaders - Skid Steer								
APPLICATION	CYL #	SERIAL #	Misc	CODE	ROD	BORE	KIT #	List \$
MODEL LX865								
BOOM	86590828	11/94-9/99		P-U-11	1-1/2	2-1/2	NH-86570933	97.12
	9845805	11/94-9/99		P-U-11	1-3/8	2-1/2	NH-86518276	96.22
BUCKET	86570930	11/94-9/99		P-U-11	1-1/4	2-1/2	NH-86570931	111.59
	86590829	11/94-9/99		P-U-11	1-1/4	2-1/2	NH-86570931	111.59
MODEL LX885								
BOOM	86528680	11/94-9/99		P-U-11	1-1/2	2-1/2	NH-86570933	97.12
	86590828	11/94-9/99		P-U-11	1-1/2	2-1/2	NH-86570933	97.12
	9845805	11/94-9/99		P-U-11	1-3/8	2-1/2	NH-86518276	96.22
BUCKET	86570930	11/94-9/99		P-U-11	1-1/4	2-1/2	NH-86570931	111.59
	86590829	11/94-9/99		P-U-11	1-1/4	2-1/2	NH-86570931	111.59

REPLACEMENT PARTS FOR NEW HOLLAND - UNITIZED PISTONS

NOTE: New Holland part numbers are used as a reference only. We do not imply that these kits are original REPLACEMENT PARTS.

Part Number	Bore Diameter	Hole Diameter	Piston Width	List Price	Part Number	Bore Diameter	Hole Diameter	Piston Width	List Price
NH-81875232	110 mm	30.25	45.09	\$303.85	NH-85800982	100 mm	30.78	41.28	\$311.25
NH-83962807	80 mm	24.26	29.08	189.39	NH-85800983	115 mm	33.76	40.31	309.42
NH-85800981	90 mm	24.26	29.08	210.44	NH-87432513	80 mm	24.26	29.08	189.39

REPLACEMENT KITS FOR NEW HOLLAND EQUIPMENT

NEW HOLLAND

Kit Number	Code (Pg. xiv)	Rod X Bore Size	List Price
NH-1542875C1	N-UB-1	1-3/4	\$29.08
NH-1542923C2	P-UB-10	2-1/2 X 3-1/2	104.82
NH-219505	P-U-10	1-1/8 X 2-1/4	68.59
NH-272769	P-U-10	7/8 X 1-3/4	109.09
NH-47364492	I-UB-10	1-1/2 X 3	41.67
NH-47364493	I-UB-10	1-3/8 X 2-3/4	108.86
NH-47364494	I-UB-10	1-3/8 X 2-1/2	107.44
NH-47416073	I-UB-10	1-3/4 X 2-3/4	119.97
NH-47568720	I-UB-10	65 X 130 mm	131.14
NH-47568736	I-UB-10	65 X 90 mm	158.06
NH-47917960	I-UB-10	65 X 125 mm	282.77
NH-47917961	P-U-10	45 X 75 mm	87.65
NH-72280241	P-U-10	45 X 75 mm	110.13
NH-72280251	P-U-10	40 X 65 mm	114.78
NH-72280261	P-U-10	50 X 100 mm	111.37
NH-72280268	P-U-10	45 X 80 mm	124.29
NH-72280454	P-U-10	45 X 80 mm	104.39
NH-72283999	P-U-10	50 X 90 mm	166.99
NH-72284189	P-U-10	55 X 95 mm	142.22
NH-771700	P-U-10	1-1/8 X 2-1/4	87.66
NH-771707	I-U-10	1-1/2 X 2	66.76
NH-782679	I-U-10	1-1/2 X 1-7/8	61.49
NH-83962835	I-U-10	1 X 50 mm	57.20
NH-84154166	P-UB-10,12	2-1/2 X 5	112.84
NH-84154167	P-UB-10	2-1/2 X 5	89.61
NH-84155586	P-UB-10	2-1/2 X 4-3/4	92.95
NH-84155591	P-UB-14	2-1/4 X 4	133.59
NH-84155594	P-UB-10,12	2-1/2 X 5-1/4	163.80
NH-84209920	P-UB-14	2-1/4 X 4	133.59
NH-84330972	I-U-10	36 X 63 mm	105.00
NH-84331720	I-U-10	40 X 70 mm	182.10
NH-84365141	P-U-10	50 X 90 mm	311.15
NH-84365143	P-U-10	50 X 90 mm	311.15
NH-84480921	P-UB-10,12	1-3/4 X 2-1/2	66.19
NH-84480928	P-UB-10	1-3/8 X 2-1/4	91.35
NH-84480948	P-UB-10	1-1/2 X 3	46.29
NH-84530079	P-UB-10,12	2 X 2-3/4	69.13
NH-85802567	P-UB-10	50 X 90 mm	102.72
NH-85802570	P-UB-10	50 X 110 mm	122.08
NH-85802571	P-UB-10	56 X 100 mm	78.15
NH-85804740	P-UB-10	40 X 80 mm	88.66
NH-85805990	I-U-10	38 X 63 mm	100.11
NH-85819232	P-UB-10	2-1/2 X 135 mm	441.56
NH-85819299	P-UB-10	2-1/2 X 130 mm	182.69
NH-85819350	P-UB-10	63 X 4-1/2	256.76
NH-85819351	P-UB-10	2 X 2-3/4	61.04
NH-85819352	P-UB-10	2 X 90 mm	103.06
NH-85819353	P-UB-10	2 X 110 mm	116.68
NH-85819356	P-UB-10	50 X 110 mm	64.31
NH-85819357	P-UB-10	2 X 2-3/4	61.04

Kit Number	Code (Pg. xiv)	Rod X Bore Size	List Price
NH-85819358	P-UB-10	2-1/2 X 90 mm	\$96.63
NH-85824250	I-U-15	45 X 80 mm	98.91
NH-86509056	P-U-10	1-1/8 X 2-1/4	36.43
NH-86518276	P-U-11	1-3/8 X 2-1/2	96.22
NH-86518284	I-U-11	3/4 X 1-1/2	30.45
NH-86527694	P-U-10	1-3/8 X 2-1/2	55.54
NH-86536101	P-U-11	1-3/4 X 2-3/4	58.04
NH-86537054	P-U-11	1-1/4 X 2-1/2	133.89
NH-86570916	P-U-11	1-1/8 X 1-7/8	41.52
NH-86570919	P-U-11	1-1/4 x 2-1/4	68.53
NH-86570922	P-U-11	1-3/8 X 2-1/2	52.37
NH-86570931	P-U-11	1-1/4 X 2-1/2	111.59
NH-86570933	P-U-11	1-1/2 X 2-1/2	97.12
NH-86627859	P-U-11	3/4 X 1-1/2	21.59
NH-86627859	P-U-11	3/4 X 1-1/2	21.59
NH-87312900	P-UB-10	2-1/2 X 5	127.82
NH-87342131	P-UB-10	1-3/4 X 3	63.81
NH-87414975	N-UB-1	2-1/4" Rod Kit	25.43
NH-87428620	P-UB-10	2 X 2-3/4	61.04
NH-87428627	P-UB-10	1-5/8 X 80 mm	64.03
NH-87428628	P-UB-10	2 X 90 mm	103.06
NH-87428629	P-UB-10	2-1/2 X 90 mm	96.63
NH-87428630	P-UB-2	2-1/4 X 4	73.51
NH-87428631	P-UB-10	2 X 110 mm	116.68
NH-87428632	P-UB-10	2-1/2 X 4-1/2	138.19
NH-87428633	P-UB-10	2-1/2 X 130 mm	182.69
NH-87428634	P-UB-10,12	2-1/2 X 135 mm	311.47
NH-87428866	P-UB-10	2 X 2-3/4	56.35
NH-87428869	P-UB-10	2-1/2 X 90 mm	101.43
NH-87428872	I,P-UB-10,12	2-1/2 X 4-1/2	146.67
NH-87428874	P-UB-10	2-1/2 X 135 mm	258.24
NH-87432407	P-UB-10	2 X 3-1/2	73.45
NH-87432412	P-UB-10	1-3/4 X 3-1/4	76.35
NH-87432515	P-UB-10	2 X 80 mm	66.46
NH-87445307-NP	P-UB-10	2 X 110 mm	103.75
NH-87529742	P-UB-10	4 X 6-1/2	184.54
NH-87573868	I-U-15	45 X 80 mm	98.91
NH-87608671	P-UB-10	2 X 2-3/4	69.17
NH-87633295	P-UB-10	2-1/2 X 4-1/2	169.91
NH-87644127	P-UB-10	1-3/8 X 2-1/2	69.57
NH-87644128	P-UB-10	1-1/2 X 2-1/2	80.51
NH-87644129	P-UB-10	1-3/4 X 2-3/4	57.31
NH-87651309	P-UB-10	2 X 3-3/4	86.27
NH-87653283	P-UB-10	2 X 3	56.66
NH-87654843	P-UB-10,12	2-1/2 X 5-1/4	152.15
NH-87654844	P-UB-10	2-1/2 X 4-3/4	90.54
NH-9600405	P-U-10	1 X 1-1/2	79.19
NH-9610763	I-U-10	1-1/4 X 1-1/2	30.89
NH-9610764	P-U-10	1-1/2 X 3	86.05
NH-9801209	P-U-10	1-3/8 X 2-1/2	95.25

REPLACEMENT KITS FOR NEW HOLLAND EQUIPMENT

Kit Number	Code (Pg. xiv)	Rod X Bore Size	List Price
NH-9843717	P-U-10	1-1/4 X 2-1/2	\$60.20
NH-9968164	P-U-15	1-1/2 X 2-3/4	40.12
NH-C5NN3N713A	Seal Kit	Seal Kit	77.00
NH-EHPN3A540AA	P-U-1	20mm Rod Kit	78.50
NH-PW01V00043R300	P-U-10	45 X 80 mm	104.39
NH-PW01V00046R300	P-U-10	35 X 65 mm	106.54
NH-PW01V00048R300	P-U-10	45 X 80 mm	94.69

Kit Number	Code (Pg. xiv)	Rod X Bore Size	List Price
NH-PX01V00030R300	P-U-10	50 X 85 mm	\$151.54
NH-PX01V00033R300	P-U-10	45 X 90 mm	134.70
NH-PX01V00045R300	P-U-10	45 X 80 mm	104.39
NH-PY01V00043R400	P-U-10	55 X 100 mm	143.67
NH-PY01V00047R400	P-U-10	45 X 75 mm	137.73

REPLACEMENT PARTS FOR NEW HOLLAND EQUIPMENT

NOTE: New Holland part numbers are used as a reference only. We do not imply that these kits are original REPLACEMENT PARTS.

BACK-UP RINGS

Part Number	Min Pkg Qty	List Price
NH-235784	10	\$1.78
NH-270103	10	0.93
NH-86502705	10	1.18
NH-86512008	10	1.32
NH-9603673	10	1.25

HEAD SEALS

Part Number	List Price
NH-87615485	\$26.82
NH-87615486	26.82

O-RINGS

Part Number	Min Pkg Qty	List Price
NH-216255	10	\$1.77
NH-235782	20	0.91
NH-510121	20	0.55
NH-510185	20	0.60
NH-510204	20	1.02
NH-9848676	20	0.66

PISTON SEALS

Part Number	Bore Dia.	List Price
NH-591983	2-1/2	\$13.10
NH-771702	2-1/4	10.87
NH-87402623	5-1/4	41.49

RETAINER RINGS

Part Number	List Price
NH-512015	\$32.24

U-SEALS

Part Number	Rod Dia.	List Price
NH-592955	1-1/2	\$18.89
NH-86513307	1-1/4	12.71
NH-9600664	1-3/8	13.92

WEAR RINGS

Part Number	O.D. X Width	List Price
NH-771701	2-1/4 X 3/8	\$5.80
NH-783874	2-1/2 X 3/8	5.99
NH-9842390	1.520 X 3/4	17.57
NH-9843627	1-3/8 X 1/2	13.36

WIPERS

Part Number	Rod Dia.	List Price
NH-128406	1-1/8	\$4.17
NH-46886	1-3/8	4.50
NH-511979	1-1/2	5.05
NH-529340	1-1/4	4.50

REPLACEMENT KITS FOR NISSAN LIFT TRUCKS

NOTE: A cylinder number will help in determining the proper kit part number. If no cylinder number is available, furnish rod and bore sizes and description of parts.

Kit Number	Code (Pg. xiv)	Rod X Bore Size	List Price
NN-49440-00H00	MOTOR KIT		\$14.40
NN-49510-L6025	P-U-10	25 X 55 mm	112.21
NN-49599-11H00	P-U-10	40 X 60 Double Rod	153.80
NN-49599-51K00	P-U-10	40 X 65 mm	153.70
NN-49599-FC000	I-U-10	40 mm X 2-3/8	126.31
NN-58099-00H00	P-U-4	35 X 45 mm	105.92
NN-58099-00H60	P-U-4	35 X 45 mm	75.18
NN-58099-0G211	I-U-4	2 in X 75 mm	53.90
NN-58099-0G511	I-U-4	2 in X 80 mm	180.28
NN-58099-10H00	P-U-5	40 X 50 mm	183.32
NN-58099-10H60	P-U-4	40 X 50 mm	69.98
NN-58099-20H12	P-U-4	45 X 60 mm	124.98
NN-58099-20H62	P-U-4	45 X 60 mm	64.86
NN-58099-23H00	P-U-1	45 X 55 mm	90.80
NN-58099-23H60	P-U-4	45 X 55 mm	79.68
NN-58099-31K11	I-U-4	2" X 2-3/4"	70.59
NN-58099-51H10	P-U-14	50 X 70 mm	143.16
NN-58099-51H60	P-U-4	50 X 65 mm	65.94
NN-58099-51H70	P-U-4	50 X 70 mm	108.07
NN-58099-L2600	P-U-4	40 X 50 mm	171.96
NN-58099-L4900	P-U-1	55 mm Rod Kit	93.37
NN-58099-L6000	P-U-4	50 X 70 mm	211.25
NN-58099-L6001	P-U-4	60 X 70 mm	225.45
NN-58099-L900	P-U-1	55 mm Rod Kit	93.37
NN-58099-L9010	P-U-4	60 X 80 mm	121.18
NN-58099-L9016	P-U-15	65 X 80 mm	125.14
NN-58199-L1100	I-U-4	50 X 70 mm	192.39
NN-58199-L1300	I-U-4	60 X 80 mm	210.44
NN-58199-L1400	I-U-4	45 X 65 mm	183.41
NN-58199-L1700	I-U-4	50 X 70 mm	192.39
NN-58199-L6000	I-U-4	65 X 90 mm	217.87
NN-58199-L6100	I-U-4	70 X 100 mm	225.66
NN-58299-01H00	P-U-1	32 mm Rod Kit	75.40
NN-58299-11H00	P-U-1	35 X 55 mm	83.64
NN-58299-L1100	I-U-1	60, 80, 112mm Stages	165.37
NN-58399-L1100	I-U-4	60 X 90 mm	215.60
NN-58499-02H10	P-U-1	70 mm Rod Kit	110.50
NN-58499-12H11	P-U-1	75 X 85 mm	143.32
NN-58499-22H10	P-U-1	90 mm Rod Kit	127.51
NN-58499-25H10	P-U-1	80 mm Rod Kit	144.18
NN-58499-6G500	I-U-4	2 in X 60 mm	194.79
NN-58499-L1100	I-U-1	80 mm Rod Kit	101.33
NN-58499-L1101	I-U-1	50 mm Rod Kit	64.54

Kit Number	Code (Pg. xiv)	Rod X Bore Size	List Price
NN-58499-L1102	I-U-1	50 mm Rod Kit	\$67.90
NN-58499-L1400	I-U-1	70 mm Rod Kit	86.49
NN-58499-L1401	I-U-1	45 mm Rod Kit	60.13
NN-58499-L1402	I-U-1	45 mm Rod Kit	63.32
NN-58499-L6000	I-U-4	70 X 100 mm	187.68
NN-58499-L6001	P-U-1	65mm Rod Kit	106.05
NN-58499-L7401	P-U-1	45 mm Rod Kit	51.81
NN-58699-00H00	P-U-1	25 X 65 mm	107.02
NN-58699-05H00	P-U-1	30 X 65 mm	99.04
NN-58699-10H00	P-U-3	30 X 70 mm	107.69
NN-58699-14H00	P-U-3	35 X 70 mm	111.30
NN-58699-20H00	P-U-1	35 X 80 mm	83.05
NN-58699-21H00	P-U-1	40 X 80 mm	100.37
NN-58699-51K00	P-U-3	30 X 60 mm	63.46
NN-58699-L1125	I-U-1	35 mm Rod Kit	70.70
NN-58699-L1126	I-U-1	35 mm Rod Kit	75.06
NN-58699-L1425	I-U-1	30 mm Rod Kit	75.06
NN-58699-L1426	I-U-1	30 mm Rod Kit	66.43
NN-58699-L6000	I-U-1	40 mm Rod Kit	75.97
NN-58699-L6011	I-U-1	40 mm Rod Kit	82.17
NN-58699-L6800	I-U-1	45 mm Rod Kit	85.28
NN-58699-L6811	I-U-1	45 mm Rod Kit	91.83
NN-58699-L8100	I-U-1	35 X 80 mm	52.64
NN-58699-L9000	I-U-1	50mm Rod Kit	87.58
NN-58699-L9010	I-U-1	50 X 100 mm	105.84
NN-69399-90H00		9/16" Valve Kit	11.87
NN-69399-L1202		9/16" Valve Kit	35.39

NEW HOLLAND

REPLACEMENT PARTS FOR NISSAN EQUIPMENT

NOTE: Nissan part numbers are used as a reference only. We do not imply that these kits are original REPLACEMENT PARTS.

O-RINGS

Part Number	Min Pkg Qty	List Price
NN-49516-L6004	10	\$1.27
NN-49526-L6004	10	4.65
NN-58117-L6000	20	1.05
NN-58122-L0700	2	6.29
NN-58123-L1100	5	2.64
NN-58123-L1300	5	2.56
NN-58123-L1400	10	1.68
NN-58124-L1300	5	9.19
NN-58124-L1400	10	2.13
NN-58124-L6100	5	3.03
NN-58142-L0800	5	3.61
NN-58185-48570	5	9.19
NN-58225-47600	2	4.93
NN-58245-47701	25	0.50
NN-58248-47230	2	8.07
NN-58251-48570	2	6.87
NN-58417-L1100	10	2.05
NN-58423-L1100	2	7.53
NN-58423-L1400	2	7.10
NN-58424-L1100	5	2.99
NN-58424-L1400	5	3.46
NN-58624-L3100	5	2.59
NN-58624-L6800	5	2.66
NN-58634-L3100	25	0.50
NN-69386-L1106	20	0.83
NN-69399-L2500	10	3.46

O-RINGS

Part Number	Min Pkg Qty	List Price
NN-85225-47600	2	\$4.93
NN-E8122-F8101	10	1.92
NN-G9386-L1106	20	0.83

PISTON U-SEALS

Part Number	Bore Dia.	List Price
NN-58140-L1401	65 mm	\$52.99
NN-58140-L1100	70 mm	52.99
NN-58140-L6000	90 mm	62.60
NN-58140-L6100	100 mm	62.60

U-SEALS

Part Number	Rod Dia.	List Price
NN-49522-L6004	25 mm	\$4.33
NN-58621-L1400	30 mm	15.87
NN-58621-L1100	35 mm	18.70
NN-58221-24H00	38 mm	18.18
NN-58621-L3100	40 mm	16.85
NN-58121-L1400	45 mm	19.87
NN-58242-L1400	65 mm	21.16
NN-30961-08012	80 mm	39.38

BUSHINGS

Part Number	Rod Dia.	List Price
NN-49521-FC000	60 mm	\$5.09

WIPERS

Part Number	Rod Dia.	List Price
NN-49524-L6004	25 mm	\$23.15
NN-58622-L1400	30 mm	10.79
NN-58222-01H01	32 mm	28.79
NN-58222-24H01	38 mm	39.31
NN-58622-L3100	40 mm	9.49
NN-58122-L1400	45 mm	10.20
NN-58017-L1300	50 mm	32.72
NN-58122-L1100	50 mm	9.11
NN-58017-L4900	55 mm	37.39
NN-58017-L6007	60 mm	40.52
NN-58122-L1300	60 mm	11.83
NN-58243-L1400	65 mm	12.60
NN-58453-L6000	65 mm	42.97
NN-58422-L1400	70 mm	13.14
NN-58243-L1100	80 mm	14.55

NPK

Repair parts for NPK are available online at www.HerculesUS.com or by contacting the Hercules Sales Team at the information provided below.

PAK-MOR

Repair parts for Pak-Mor are available online at www.HerculesUS.com or by contacting the Hercules Sales Team at the information provided below.

PANDROL-JACKSON

Repair parts for Pandrol-Jackson are available online at www.HerculesUS.com or by contacting the Hercules Sales Team at the information provided below.

REPLACEMENT KITS FOR PARKER HELAC

Part Number	Description	List Price
HLC-63156	Helac Relief Valve Seal Kit, TT-10	\$4.37
HLC-S71549	Helac Std Seal Kit for PT-465	1974.30
HLC-S72154	Helac Std Seal Kit for PT-240	1014.18
HLC-S72823	Helac Std Seal Kit for PT-100	594.84

Part Number	Description	List Price
HLC-S72995	Helac Std Seal Kit for PT-180	\$824.77
HLC-S73072	Helac Std Seal Kit for PT-070	649.02
HLC-S73267	Helac Std Seal Kit for PT-050	533.25
HLC-S73612	Helac Std Seal Kit for PT-300	1430.90

PEABODY GALION

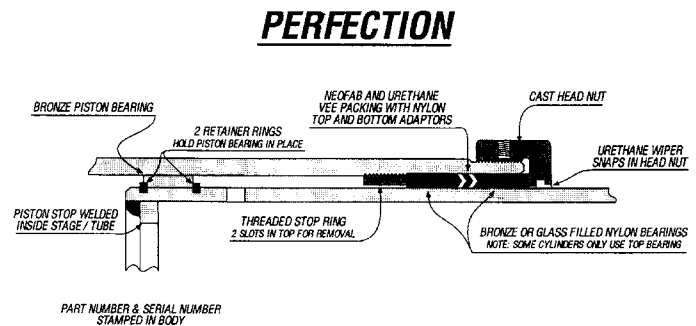
Repair parts for Peabody Galion are available online at www.HerculesUS.com or by contacting the Hercules Sales Team at the information provided below.

PEERLESS

Repair parts for Peerless are available online at www.HerculesUS.com or by contacting the Hercules Sales Team at the information provided below.

PERFECTION - COBEY TELESCOPIC CYLINDER PARTS

- PACKING:** Vee packing with top and bottom adapters. 3, 4, & 5" stages have .265" CS. 6, 7, & 8 have 1/4" CS. 9" stage has 3/8" CS.
- WIPERS:** Urethane snap-in type.
- BEARINGS:** Original were bronze. Many replacements being offered in either glass-filled nylon or mineral filled nylon material. 3" through 6" stages have bearings above and below packing. 7" and 8" stages have bearing above packing only.
- PISTON:** Bronze bearing held in place by 2 spring steel snap rings.
- STAGE O.D.'s:** 2.580", 3.580", 4.580", 5.445", 6.445", 7.445", 8.445"
- SPECIAL INFO:** Internally threaded ring which serves as internal stop.
- IDENTIFICATION:** Model number and serial number stamped near base of cylinder.



Kit Number	Stage O.D.	Description	List Price
PACKING & WIPERS			
PF-3VSW	2.580	Vee Set & Wiper	\$47.88
PF-4VSW	3.580	Vee Set & Wiper	61.94
PF-5VSW	4.580	Vee Set & Wiper	87.22
PF-6VSW	5.445	Vee Set & Wiper	74.87
PF-7VSW	6.445	Vee Set & Wiper	100.71
PF-8VSW	7.445	Vee Set & Wiper	113.35
PF-9VSW	8.445	Vee Set & Wiper	399.17
BEARINGS			
PF-4NB	3.580	Gland Bearing	\$41.16
PF-5NB	4.580	Gland Bearing	50.13
PF-6NB	5.445	Gland Bearing	54.31
PF-7NB	6.445	Gland Bearing	59.94
PF-8NB	7.445	Gland Bearing	101.32

Part Number	Description	List Price
KITS		
PF-35	3" - 5" Vee Set & Wiper	\$198.81
PF-46	4" - 6" Vee Set & Wiper	252.92
PF-47	4" - 7" Vee Set & Wiper	374.42
PF-48	4" - 8" Vee Set & Wiper	511.31
PF-49	4" - 9" Vee Set & Wiper	898.49
PF-57	5" - 7" Vee Set & Wiper	299.65
KITS		
PF-58	5" - 8" Vee Set & Wiper	\$436.56
PF-59	5" - 9" Vee Set & Wiper	784.55
PF-68	6" - 8" Vee Set & Wiper	348.73
MISCELLANEOUS PARTS		
PF-19120	Bleeder Valve (Min Pack - 3)	\$7.17

REPLACEMENT KITS FOR PERFECTION - COBEY

NOTE:
HEAD NUTS, END BEARINGS AND SNAP RINGS
ARE AVAILABLE. CALL FOR PRICE.

PERFECTION - COBEY SEAL KITS FOR TWIN TELESCOPICS

Kit Number	Cyl. Number	Stage Sizes	Description	List Price
PF-50493	475	3.220, 3.830	O-Rings, Back-Ups, Wipers	\$52.52
PF-50494	375	2.580, 3.220	O-Rings, Back-Ups, Wipers	99.78
PF-50530	495, 498	2.580, 3.220, 3.830	O-Rings, Back-Ups, Wipers	64.28
PF-88799	375	2.580, 3.220	U-Seals, O-Rings, Wipers	68.63
PF-88800	475	3.220, 3.830	U-Seals, O-Rings, Wipers	83.08
PF-88801	495, 498	2.580, 3.220, 3.830	U-Seals, O-Rings, Wipers	109.74

PERFECTION - COBEY DUMP TRUCK PUMP PARTS

Part Number	Description	List Price
PF-75175	7/8" ID Vee Set	\$15.61
PF-75175 KIT	7/8" Vee Sets, O-Rings, Valve Gaskets	74.52
PF-78317+BU	7/8" Shaft Seal & Back Up	21.19
PF-86081	3/4" ID Oil Seal	13.78
PF-86082	7/8" ID Oil Seal	8.18
PF-86082 KIT	7/8" Shaft Pump Kit	35.71

NOTE:
THE ABOVE CYLINDER ASSEMBLIES ARE AVAILABLE
FROM STOCK. CALL FOR PRICES.

PERFECTION - COBEY MISCELLANEOUS PERFECTION KITS & PARTS

Part Number	Description	List Price
PF-18273	2-3/4" Rod Vee Set	\$30.24
PF-18274	2" Rod Vee Set	14.93
PF-22001	2.58" Rod Dia.	36.23
PF-22002	3.22" Rod Dia.	36.23
PF-22003	3.83" Rod Dia.	7.54
PF-45007	1-1/4" ID Vee Set	19.68
PF-45030	2" ID Vee Set	20.10
PF-55152	2-1/2" ID Vee Set	26.63
PF-62463	2" ID Vee Set	20.10

Part Number	Description	List Price
PF-75175	7/8" I.D. Vee Set (each)	\$15.61
PF-81566	3/4" ID Vee Set	19.71
PF-84598K	P-U-52-1/2 X 4-1/2	130.19
PF-86081	3/4" I.D. Oil Seal	13.78
PF-86082	7/8" ID Oil Seal	8.18

PETTIBONE

Kit Number	Code (Pg. xiv)	Rod X Bore Size	List Price
PB-LL-6011-4	P-V-10	1-1/4 X 2-1/2	\$46.07
PB-LL-6012-19	I-U-10	2 X 3	120.34
PB-LL-6014-27	I-U-10	2-3/4 X 4	173.96
PB-LL-6014-29	I-U-10	2-3/4 X 4	140.87
PB-LL-6015-35	P-U-10	4-1/2 X 5-1/2	170.32
PB-LL-6015-37	I-U-10	3-1/2 X 4-1/2	119.22
PB-LL-6018-12	P-U-10	4-1/2 X 6	184.89
PB-LL-6018-2	I-U-10	3 X 6	115.98
PB-LL-7235-2	I-U-10	3 X 6-1/4	136.05

PRENTICE

Repair parts for Prentice are available online at www.HerculesUS.com or by contacting the Hercules Sales Team at the information provided below.

P & H CRANE

Kit Number	Code (Pg. xiv)	Rod X Bore Size	List Price
PH-1045Z1795	I-U-10,12	5 X 6	\$310.43
PH-1045Z1925	P, I-OB-5	1-1/2 X 3-1/2	75.49
PH-1100P351F7	I-U-10	1-1/2 X 2-1/2	35.27
PH-1100P354F3	I-U-10	2 X 4	38.15
PH-1100P357F2	I-U-10	2 X 4-1/2	69.96
PH-1100P359F1	I-U-10	4 X 4-3/4	163.14
PH-1100P361F1	I-U-10,12	4-1/4 X 5	147.17
PH-1100P362F2	I-U-10, 12	4-1/4 X 5-1/4	163.27
PH-1100P366-2	I-U-4	4 X 6	195.73
PH-1100P366F1	I-U-10	4 X 6	105.88
PH-1100P372F1	I-U-10, 12	4-1/4 X 7	227.47
PH-1100P380F1	I-U-10, 12	4-1/4 X 9	630.17
PH-1100P381F1	I-U-10, 12	6-1/2 X 9	516.12
PH-1100P386F6	I-U-10, 12	7 X 10-1/2	977.50
PH-1100P419F2		7-3/4" Swivel	810.98

PRINCE

Kit Number	Code (Pg. xiv)	Rod X Bore Size	List Price
PC-10200	I-OB-5	1-1/4 X 2-3/8	\$38.14
PC-19700	I-U-10	1-3/8 X 3	25.95
PC-31841	I-U-10, 12	1-3/4 X 6	149.88
PC-31842	I-U-10, 12	2 X 6	149.21
PC-A807	P-V-9	2 X 5	99.52
PC-D1192	P-O-3, 12	1-3/8 X 3-1/4	45.85
PC-F-1121	I-OB-10	1-3/4 X 4	13.07
PC-F-1122	I-OB-10	1-3/4 X 3	17.09
PC-F237	I-OB-12	3 X 7	159.07
PC-G476	I-OB-3, 12	2 X 6	41.59
PC-H304	I-N-4	2-3/8, 3-3/8, 4-3/8 Stages	74.52
PC-H346	I-U-1	2-3/8, 3-3/8 Stages	48.32
PC-J1335	I-U-12	4-1/2 X 6	162.74
PC-J421	I-U-10, 12	1-1/2 X 3	69.93
PC-K1215	I-U-4	3, 4-1/2 Stages	140.76
PC-M387	I-U-3, 12	2-1/2 X 3-1/2	42.04
PMCK-10000	I-U-5	3 X 6	201.10
PMCK-19400	I-U-10	3/4 X 1-1/2	54.20
PMCK-19500	I-U-10	1-1/8 X 2	58.72
PMCK-19900	I-U-10	1-3/4 X 4	81.30
PMCK-21000	I-U-10	2-1/2 X 5	173.81
PMCK-22000	I-U-10	3 X 6	141.78
PMCK-35000	I, P-U-13	2 X 5	93.41
PMCK-42000	I-U-13	1-1/8 X 2	184.19
PMCK-43000	I-U-13	1-3/8 X 3	64.99
PMCK-43500	I-U-13	1-1/2 X 3-1/2	276.53

Kit Number	Code (Pg. xiv)	Rod X Bore Size	List Price
PMCK-44000	I-U-11	1-3/4 X 4	\$105.42
PMCK-5400	I-OB-3, 12	1-3/8 X 2-1/2	88.40
PMCK-5500	I-OB-3, 12	1-1/2 X 3-1/2	78.76
PMCK-5600	I-OB-3, 12	2 X 4	87.25
PMCK-7000	I-U-3	1-1/8 X 2-1/2	49.68
PMCK-7100	I-U-3	1-1/8 X 3	79.34
PMCK-8300	I-OB-3, 12	1-1/2 X 3	72.71
PMCK-8400	I-U-11	1 X 2	40.76
PMCK-9000	I-U-3	1-1/8 X 2	42.36
PMCK-9100	I-U-3	1-1/4 X 2-1/2	70.05
PMCK-9200	I-U-3	1-3/8 X 3	53.98
PMCK-9300	I-U-3	1-3/8 X 3-1/2	47.92
PMCK-9400	I-U-3	1-3/4 X 4	69.07
PMCK-9500	I-U-3	2 X 5	79.98
PMCK-9900	I-U-5	2-1/2 X 5	221.10
PMCK-AA-606	I-U-5	1-1/2 X 4	54.23
PMCK-AD414	I-U-13	2-1/2 X 4	43.08
PMCK-AE-343	I-U-2	3 X 8	53.93
PMCK-AF962	I-U-13	2-1/2 X 4	44.39
PMCK-AK-84	P-U-10	1-3/4 X 2-1/2	72.35
PMCK-AM-1139	P-U-10	1-3/4 X 2-1/2	70.92
PMCK-B200000	I-U-10	1-1/8 X 2	43.32
PMCK-B300000	P-U-10	1-3/8 X 3	46.05
PMCK-B400000	P-U-10	1-3/4 X 4	86.04
PMCK-B500000	P-U-10	2 X 5	86.04

RAYMOND LIFT TRUCKS

Repair parts for Raymond Lift Trucks are available online at www.HerculesUS.com, in the Industrial Catalog or by contacting the Hercules Sales Team at the information provided below.

RED LION TIE-ROD CYLINDERS

Kit Number	Code (Pg. xiv)	Rod X Bore Size	List Price
RL-492901	P-OB-3	1-1/8 X 2	\$17.89
RL-492903	P-OB-3	1-1/8 X 2-1/2	19.00
RL-492907	P-OB-3	1-1/4 X 3	20.05
RL-492911	P-OB-3	1-1/4 X 3-1/2	21.15
RL-492915	P-OB-3	1-1/4 X 4	22.95
RL-RK-20TR-112	P-OB-3	1-1/8 X 2	25.73

REYNOLDS SCRAPER

Kit Number	Code (Pg. xiv)	Rod X Bore Size	List Price
RE-1020306	I-U-10,12	2 X 6	\$168.81
RE-1020878	I-U-10,12	2 X 6	166.56
RE-1020879	I-U-10,12	2 X 3-1/2	68.22
RE-1023060	I-U-10,12	2-1/2 X 6	176.17
RE-7040H012	I-U-10,12	1-1/2 X 3-1/2	64.54
RE-7040H012NPR	I-U-10	1-1/2 X 3-1/2	29.78
RE-7040H014	I-U-10,12	1-1/2 X 3	65.35
RE-7040H014NPR	I-U-10	1-1/2 X 3	28.73
RE-7040H017	I-U-10	2 X 3-1/2	62.96
RE-7040H017NPR	I-U-10	2 X 3-1/2	27.82
RE-7040H019	I-U-10,12	1-3/4 X 4	77.67
RE-7040H019NPR	I-U-10	1-3/4 X 4	33.21
RE-7040H022	I-U-10,12	1-1/2 X 4	51.31
RE-7040H022NPR	I-U-10	1-1/2 X 4	31.74
RE-7040H023	I-U-10,12	2 X 5	117.87
RE-7040H023NPR	I-U-10	2 X 5	40.29
RE-7040H026	I-U-10,12	1-1/2 X 2-1/2	62.74
RE-7040H026NPR	I-U-10	1-1/2 X 2	27.04

RONEN

Repair parts for Ronen are available online at www.HerculesUS.com or by contacting the Hercules Sales Team at the information provided below.

SAMSUNG

Kit Number	Code (Pg. xiv)	Rod X Bore Size	List Price
SAM-8048-00070	P-UB-14	80 X 120 mm	\$692.86
SAM-8048-00130	P-UB-14	105 X 160 mm	735.27
SAM-8048-00150	P-UB-14	105 X 150 mm	785.70
SAM-8130-00420	P-UB-14	95 X 140 mm	366.02

Replacement Kits For

SANDVIK

Loaders - Wheel						
APPLICATION	CYL #	CODE	ROD	BORE	KIT #	List \$
MODEL LH203						
LIFT		P-UB-10	90 mm	180 mm	SDK-56019157	485.79
TILT		P-UB-10	70 mm	140 mm	SDK-56019158	199.22
MODEL LH307						
DUMP		P-UB-10,12	110 mm	200 mm	SDK-56016048	740.09
LIFT		P-UB-10	90 mm	140 mm	SDK-56016093	215.57
STEERING		P-UB-10	50 mm	100 mm	SDK-56016050	120.86
MODEL LH410						
DUMP		P-UB-10,12	110 mm	200 mm	SDK-56002936	793.39
LIFT		P-UB-10,12	90 mm	160 mm	SDK-56019416	399.73
STEERING		P-UB-10	70 mm	125 mm	SDK-56019415	310.72
MODEL LH410M						
DUMP		P-UB-10,12	110 mm	200 mm	SDK-56002936	793.39
MODEL TORO 007						
DUMP		P-V-10,12	110 mm	200 mm	SDK-04001784	786.43
LIFT		P-V-10,12	90 mm	160 mm	SDK-04001785	402.01
STEERING		P-V-10	70 mm	125 mm	SDK-04001783	264.06
MODEL TORO 1250						
DUMP		I-V-9	140 mm	250 mm	SDK-04001773	903.95
LIFT		I-V-14	90 mm	180 mm	SDK-04001767	243.79
STEERING		P-V-10	70 mm	125 mm	SDK-04001783	264.06

SANDVIK

Kit Number	Code (Pg. xiv)	Rod X Bore Size	List Price	Kit Number	Code (Pg. xiv)	Rod X Bore Size	List Price
SDK-04001767	I-V-14	90 X 180 mm	\$243.79	SDK-56016093	P-UB-10	90 X 140 mm	\$215.57
SDK-04001773	I-V-9	140 X 250 mm	903.95	SDK-56019157	P-UB-10	90 X 180 mm	485.79
SDK-04001783	P-V-10	70 X 125 mm	264.06	SDK-56019158	P-UB-10	70 X 140 mm	199.22
SDK-04001784	P-V-10,12	110 X 200 mm	786.43	SDK-56019415	P-UB-10	70 X 125 mm	310.72
SDK-04001785	P-V-10,12	90 X 160 mm	402.01	SDK-56019416	P-UB-10,12	90 X 160 mm	399.73
SDK-29560653	P-UB-10	70 mm X 100 mm	166.94	SDK-56019710	P-UB-10,12	90 mm X 160 mm	399.73
SDK-56002936	P-UB-10,12	110 X 200 mm	793.39				
SDK-56016048	P-UB-10,12	110 X 200 mm	740.09				
SDK-56016050	P-UB-10	50 X 100 mm	120.86				

SENNEBOGEN

Kit Number	Code (Pg. xiv)	Rod X Bore Size	List Price
SENN-127469	P-UB-12,14	120 mm X 170 mm	\$981.30
SENN-136660	P-UB-14	130 mm X 190 mm	1100.24
SENN-58452	P-UB-12,14	120 mm X 165 mm	1370.02
SENN-66036	P-UB-12,14	140 mm X 200 mm	1015.85
SENN-75848	P-U-10	130 mm X 200 mm	328.44
SENN-81263	P-UB-12,14	110 mm X 150 mm	800.98

Replacement Kits For

SERCO

Forestry - Log Loaders						
APPLICATION	CODE	ROD	BORE	MISC	KIT #	List \$
MODEL 7000						
JIB	I-UB-10	2-1/2	5	After April 2004	SERCO-CC2321	115.06
	I-UB-4	2-1/2	5	2003-April 2004	SERCO-CC2314	126.25
	I-U-4	2-1/2	5	2001-2003	SERCO-CC2285	70.25
	P-U-5	2-1/2	5	Before 2001	SERCO-CC2021	90.31
MAIN	I-UB-10	2-1/2	5	After April 2004	SERCO-CC2321	115.06
	I-UB-4	2-1/2	5	2003-April 2004	SERCO-CC2314	126.25
	I-U-4	2-1/2	5	2001-2003	SERCO-CC2285	70.25
	P-U-5	2-1/2	5	Before 2001	SERCO-CC2021	90.31
OUTRIGGER	P-U-4	2	4		SERCO-CC2041	28.51
MODEL 7500						
JIB	I-UB-10	2-1/2	5		SERCO-CC2321	115.06
MAIN	I-UB-10	2-1/2	5		SERCO-CC2321	115.06
OUTRIGGER	P-U-4	2	4		SERCO-CC2041	28.51
SQUIRT BOOM	I-U-5	1-3/4	3		SERCO-CC2310	22.29

Kit Number	Code (Pg, xiv)	Rod x Bore Size	List Price
SERCO-CC2021	P-U-5	2-1/2 x 5	\$90.31
SERCO-CC2285	I-U-4	2-1/2 x 5	70.25
SERCO-CC2314	I-UB-4	2-1/2 x 5	126.25
SERCO-CC2321	I-UB-10	2-1/2 x 5	115.06
SERCO-CC2021	P-U-5	2-1/2 x 5	90.31
SERCO-CC2285	I-U-4	2-1/2 x 5	70.25
SERCO-CC2314	I-UB-4	2-1/2 x 5	126.25

Kit Number	Code (Pg, xiv)	Rod x Bore Size	List Price
SERCO-CC2321	I-UB-10	2-1/2 x 5	\$115.06
SERCO-CC2041	P-U-4	2 x 4	28.51
SERCO-CC2321	I-UB-10	2-1/2 x 5	115.06
SERCO-CC2321	I-UB-10	2-1/2 x 5	115.06
SERCO-CC2041	P-U-4	2 x 4	28.51
SERCO-CC2310	I-U-5	1-3/4 x 5	22.29

SKYJACK

Kit Number	Code (Pg, xiv)	Rod X Bore Size	List Price
SKY-113443	I-U-4	7/8 X 2	\$36.08
SKY-105816	I-U-4	3/4 X 1-1/2	42.19
SKY-105888	I-U-2	3 X 3-1/2	105.52
SKY-113873	I-U-4	2-1/2 X 3-3/8	69.78
SKY-121097	I-U-1	3-1/2 X 4	54.36

O-RINGS FOR SKYJACK EQUIPMENT

Part Number	Min Pkg Qty	List Price
SKY-103828	50	\$0.29
SKY-120436	20	0.33

SNORKEL

Repair parts for Snorkel are available online at www.HerculesUS.com or by contacting the Hercules Sales Team at the information provided below.

STEELMASTER

Repair parts for Steelmaster are available online at www.HerculesUS.com or by contacting the Hercules Sales Team at the information provided below.

SUMITOMO

Repair parts for Sumitomo are available online at www.HerculesUS.com or by contacting the Hercules Sales Team at the information provided below.

TAMROCK

Kit Number	Code (Pg, xiv)	Rod X Bore Size	List Price
TAMR-85069909	P-U-14	25 X 40 mm	\$130.21
TAMR-85577709	P-U-15	50 X 125 mm	342.45
TAMR-85711149	O-RING KIT		5.89
TAMR-87285619	I-UB-10	50 X 70 mm	643.78

REPLACEMENT SEAL KITS FOR TAKEUCHI EQUIPMENT*

Replacement Seal Kits By Machine Type

Table of Contents

Machine Type	Page
Excavators TB015, TB025, TB035, TB036, TB068, TB285, TB290	1030-1034
Excavators Compact TB014, TB016, TB108, TB125, TB135, TB138FR, TB145, TB153FR, TB175, TB216, TB230, TB235, TB235-2, TB240, TB250, TB260	1035-1040
Loaders - Track Skid Steer TL8, TL8R-2, TL10, TL10V2, TL12, TL12R2, TL12V2, TL130, TL140, TL150, TL230, TL230-2, TL240, TL250	1040-1042
Alpha-Numeric Kit Listing	1043-1044
Takeuchi Individual Parts	Found Online

Replacement Kits For

TAKEUCHI

Excavators

APPLICATION	CYL #	SERIAL #	CODE	ROD	BORE	KIT #	List \$
MODEL TB015							
ARM	19000-61400	1153001-	P-U-10	30 mm	55 mm	TAK-19000-58099	126.08
BLADE	19000-59200	1153001-	P-U-10	35 mm	55 mm	TAK-19000-53499	140.85
BOOM	19000-61200	1153001-	P-U-10	30 mm	55 mm	TAK-19000-61299	119.74
BUCKET	19000-61500	1153001-	P-U-10	30 mm	50 mm	TAK-19000-61599	112.04
BUCKET TEL. A.	19000-62700	1153001-	P-U-10	30 mm	55 mm	TAK-19000-51999	117.01
SPANNER	19000-59300	1153001-	P-U-10	30 mm	55 mm	TAK-19000-51999	117.01
SWING	19000-57700	1153001-	P-U-10	35 mm	60 mm	TAK-19000-53399	129.96
TELESCOPIC	19000-62900	1153001-	P-U-13	25 mm	40 mm	TAK-19000-62699	128.71
MODEL TB025							
ARM	19000-52500	1255001-	I-U-14	40 mm	70 mm	TAK-19000-43999	159.89
BLADE	19000-52700	1255001-	I-U-14	45 mm	85 mm	TAK-19000-44299	184.94
BOOM	19000-52300	1255001-	P-U-14	40 mm	75 mm	TAK-19000-43899	174.71
BOOM CABIN	19000-52400	1255001-	P-U-14	40 mm	75 mm	TAK-19000-43899	174.71
	19000-69900	1255001-	P-U-14	40 mm	75 mm	TAK-19000-43899	174.71
BUCKET	19000-52600	1255001-	I-U-14	35 mm	60 mm	TAK-19000-44099	142.81
SWING	19000-51300	1255001-	I-U-14	40 mm	75 mm	TAK-19000-46199	218.95
MODEL TB035							
ARM	19000-56200	1355001-	P-U-10	45 mm	80 mm	TAK-19000-54999	120.17
BLADE	19000-55100	1355001-	P-U-10	55 mm	100 mm	TAK-19000-55199	180.81
BOOM	19000-54700	1355001-	P-U-10	45 mm	85 mm	TAK-19000-54799	130.96
BOOM CABIN	19000-54800	1355001-	P-U-10	45 mm	85 mm	TAK-19000-54799	130.96
	19000-70100	1355001-	P-U-10	45 mm	85 mm	TAK-19000-54799	130.96
BUCKET	19000-56300	1355001-	P-U-10	40 mm	70 mm	TAK-19000-52099	160.57
SWING	19000-56100	1355001-	P-U-10	45 mm	80 mm	TAK-19000-54199	140.85
TELESCOPIC	19000-62000	1355001-	P-U-10	40 mm	65 mm	TAK-19000-62099	124.51
MODEL TB036							
ARM	19000-11400	36003-.1140	P-U-5	45 mm	80 mm	TAK-19000-05099	183.61
ARM EXT. ARM	19000-16000	36003-.1140	P-U-5	45 mm	80 mm	TAK-19000-05099	183.61
BLADE	19000-12400	36003-.1140	P-U-5	40 mm	70 mm	TAK-19000-12299	96.79
	19000-12500	36003-.1140	P-U-5	40 mm	70 mm	TAK-19000-12299	96.79
BOOM LH - New	19000-32500	36003-.1140	P-U-5	40 mm	70 mm	TAK-19000-11299	141.61
BOOM LH - Old	19000-11300	36003-.1140	P-U-5	40 mm	70 mm	TAK-19000-11299	141.61
BOOM RH - New	19000-32400	36003-.1140	P-U-5	40 mm	70 mm	TAK-19000-11299	141.61
BOOM RH - Old	19000-11299	36003-.1140	P-U-5	40 mm	70 mm	TAK-19000-11299	141.61
BUCKET	19000-35400	36003-.1140	P-U-5	40 mm	70 mm	TAK-19000-05199	139.33
EXTENSION	19000-37700	36003-.1140	I-U-5	40 mm	60 mm	TAK-19000-37799	99.50
SWING	19000-25100	36003-.1140	P-U-5	50 mm	80 mm	TAK-19000-39199	225.60
MODEL TB068							
ARM	19000-19600	68003-68914&68233-68242	P-U-5	65 mm	105 mm	TAK-19000-19699	252.53
	19000-26400	68243-.68195-68232	P-U-5	65 mm	105 mm	TAK-19000-19699	252.53
BLADE LH	19000-16500	68003-68914&68233-68242	P-U-5	60 mm	100 mm	TAK-19000-16499	234.08
	19000-25900	68195-68232&68243-	P-U-5	60 mm	100 mm	TAK-19000-16499	234.08
BLADE RH	19000-16600	68003-68914&68233-68242	P-U-5	60 mm	100 mm	TAK-19000-16499	234.08
	19000-25800	68195-68232&68243-	P-U-5	60 mm	100 mm	TAK-19000-16499	234.08
BOOM LH	19000-26100	68195-68232&68243-68295	P-U-5	55 mm	85 mm	TAK-19000-16199	195.21
	19000-32900	68296,68596-	P-U-5	55 mm	85 mm	TAK-19000-16199	195.21
BOOM RH	19000-26200	68195-68232&68243-68295	P-U-5	55 mm	85 mm	TAK-19000-16199	195.21
	19000-32800	68296, 68596-	P-U-5	55 mm	85 mm	TAK-19000-16199	195.21
BUCKET	19000-26000	68195-68232&68243-	P-U-5	55 mm	90 mm	TAK-19000-16399	205.59
SWING	19000-26300	63203-	P-U-5	60 mm	100 mm	TAK-19000-16499	234.08
MODEL TB285							
ADJUST 2pc Boom A	19001-11700	185000001-	P-UB-10	55 mm	90 mm	TAK-19001-11799	121.38

Hercules Sealing Products and original equipment Takeuchi kits may not include the necessary wear rings for your cylinder rebuild. Kits with an -EX suffix will include these wear rings.

Please ask your sales representative for a cross-reference if no -EX kit or complementary parts are listed.

TAKEUCHI

Excavators							
APPLICATION	CYL #	SERIAL #	CODE	ROD	BORE	KIT #	List \$
MODEL TB285							
ADJUST 2pc Boom A	19001-11700	185000001-	P-UB-10	55 mm	90 mm	TAK-19001-11799-EX	129.92
	19001-11700	185000001-	Bushing	55 mm		TAK-19001-11702	26.56
	19001-11700	185000001-	Wear Ring	90 mm		TAK-19001-07926	11.37
ADJUST 2pc Boom B	19001-10800	185000001-	P-UB-10	75 mm	130 mm	TAK-19001-10899	237.79
	19001-10800	185000001-	P-UB-10	75 mm	130 mm	TAK-19001-10899-EX	245.60
	19001-10800	185000001-	Bushing	75 mm		TAK-19001-10002	39.26
	19001-10800	185000001-	Wear Ring		130 mm	TAK-19001-10626	29.09
ANGLE BLADE	19001-10900	185000001-	P-UB-10	45 mm	75 mm	TAK-19001-10999	85.62
	19001-10900	185000001-	P-UB-10	45 mm	75 mm	TAK-19001-10999-EX	89.35
	19001-10900	185000001-	Bushing	45 mm		TAK-19001-10902	17.17
	19001-10900	185000001-	Wear Ring	75 mm		TAK-19001-10926	9.67
ARM	19001-09700	185000001-	P-UB-10	70 mm	100 mm	TAK-19001-09799	101.07
	19001-09700	185000001-	P-UB-10	70 mm	100 mm	TAK-19001-09799-EX	165.91
	19001-09700	185000001-	Bushing	70 mm		TAK-19001-09714	34.44
	19001-09700	185000001-	Wear Ring		100 mm	TAK-19001-07826	40.92
ARM 2pc Boom A	19001-11600	185000001-	P-UB-10	65 mm	100 mm	TAK-19001-11699	115.79
	19001-11600	185000001-	P-UB-10	65 mm	100 mm	TAK-19001-11699-EX	180.63
	19001-11600	185000001-	Bushing	65 mm		TAK-19001-11102	31.43
	19001-11600	185000001-	Wear Ring		100 mm	TAK-19001-07826	40.92
ARM 2pc Boom B	19001-10700	185000001-	P-UB-10	70 mm	105 mm	TAK-19001-10799	116.03
	19001-10700	185000001-	P-UB-10	70 mm	105 mm	TAK-19001-10799-EX	136.62
	19001-10700	185000001-	Bushing	70 mm		TAK-19001-09714	34.44
	19001-10700	185000001-	Wear Ring		105 mm	TAK-19001-10726	23.12
BOOM 2pc A	19001-11500	185000001-	P-UB-10	75 mm	120 mm	TAK-19001-11599	118.00
	19001-11500	185000001-	P-UB-10	75 mm	120 mm	TAK-19001-11599-EX	130.82
	19001-11500	185000001-	Bushing	75 mm		TAK-19001-10002	39.26
	19001-11500	185000001-	Wear Ring		120 mm	TAK-19001-10026	23.45
BOOM 2pc B	19001-10600	185000001-	P-UB-10	85 mm	130 mm	TAK-19001-10699	192.19
	19001-10600	185000001-	P-UB-10	85 mm	130 mm	TAK-19001-10699-EX	207.80
	19001-10600	185000001-	Bushing	85 mm		TAK-19001-10602	48.79
	19001-10600	185000001-	Wear Ring		130 mm	TAK-19001-10626	29.09
BOOM LH	19001-09800	185000003-185000543	P-UB-10	60 mm	85 mm	TAK-19001-09899	107.57
	19001-09800	185000544-185000751	P-UB-10	60 mm	85 mm	TAK-19001-14799	114.43
	19001-09800	185000003-185000543	P-UB-10	60 mm	85 mm	TAK-19001-09899-EX	113.74
	19001-09800	185000544-185000751	P-UB-10	60 mm	85 mm	TAK-19001-14799-EX	120.61
	19001-09800	185000003-185000543	Bushing	60 mm		TAK-19001-09602	26.22
	19001-09800	185000544-185000751	Bushing	60 mm		TAK-19001-09602	26.22
	19001-09800	185000544-185000751	Wear Ring		85 mm	TAK-19001-09826	14.08
	19001-09800	185000003-185000543	Wear Ring		85 mm	TAK-19001-09826	14.08
	19001-14800	185000752-	P-UB-10	60 mm	85 mm	TAK-19001-14799	114.43
	19001-14800	185000752-	P-UB-10	60 mm	85 mm	TAK-19001-14799-EX	120.61
	19001-14800	185000752-	Bushing	60 mm		TAK-19001-09602	26.22
	19001-14800	185000752-	Wear Ring		85 mm	TAK-19001-09826	14.08
	BOOM RH	19001-09900	185000003-185000543	P-UB-10	60 mm	85 mm	TAK-19001-09899
19001-09900		185000544-185000751	P-UB-10	60 mm	85 mm	TAK-19001-14799	114.43
19001-09900		185000003-185000543	P-UB-10	60 mm	85 mm	TAK-19001-09899-EX	113.74
19001-09900		185000544-185000751	P-UB-10	60 mm	85 mm	TAK-19001-14799-EX	120.61
19001-09900		185000544-185000751	Bushing	60 mm		TAK-19001-09602	26.22
19001-09900		185000003-185000543	Bushing	60 mm		TAK-19001-09602	26.22
19001-09900		185000003-185000543	Wear Ring		85 mm	TAK-19001-09826	14.08
19001-09900		185000544-185000751	Wear Ring		85 mm	TAK-19001-09826	14.08
19001-14700		185000752-	P-UB-10	60 mm	85 mm	TAK-19001-14799	114.43
19001-14700		185000752-	P-UB-10	60 mm	85 mm	TAK-19001-14799-EX	120.61

Hercules Sealing Products and original equipment Takeuchi kits may not include the necessary wear rings for your cylinder rebuild. Kits with an -EX suffix will include these wear rings.

Please ask your sales representative for a cross-reference if no -EX kit or complementary parts are listed.

TAKEUCHI

TAKEUCHI

Excavators							
APPLICATION	CYL #	SERIAL #	CODE	ROD	BORE	KIT #	List \$
MODEL TB285							
BOOM RH	19001-14700	185000752-	Bushing	60 mm		TAK-19001-09602	26.22
	19001-14700	185000752-	Wear Ring		85 mm	TAK-19001-09826	14.08
BUCKET	19001-09600	185000001-	P-UB-10	60 mm	90 mm	TAK-19001-09699	152.04
	19001-09600	185000001-	P-UB-10	60 mm	90 mm	TAK-19001-09699-EX	160.19
	19001-09600	185000001-	Bushing	60 mm		TAK-19001-09602	26.22
	19001-09600	185000001-	Wear Ring		90 mm	TAK-19001-09626	15.34
BUCKET 2pc Boom A	19001-00300	185000001-	P-UB-10	55 mm	85 mm	TAK-19001-00399	91.93
	19001-00300	185000001-	Bushing	55 mm		TAK-13330-05530	26.56
BUCKET 2pc Boom B	19001-12500	185000001-	P-UB-10	60 mm	90 mm	TAK-19001-12599	146.47
	19001-12500	185000001-	P-UB-10	60 mm	90 mm	TAK-19001-12599-EX	154.63
	19001-12500	185000001-	Bushing	60 mm		TAK-19001-09602	26.22
	19001-12500	185000001-	Wear Ring		90 mm	TAK-19001-09626	15.34
DOZER BLADE	19001-11100	185000001-	P-UB-10	65 mm	125 mm	TAK-19001-11199	89.04
	19001-11100	185000001-	P-UB-10	65 mm	125 mm	TAK-19001-11199-EX	97.82
	19001-11100	185000001-	Bushing	65 mm		TAK-19001-11102	31.43
	19001-11100	185000001-	Wear Ring		125 mm	TAK-19001-11126	27.34
SWING	19001-10000	185000001-	P-UB-10	75 mm	120 mm	TAK-19001-10099	130.87
	19001-10000	185000001-	P-UB-10	75 mm	120 mm	TAK-19001-10099-EX	143.69
	19001-10000	185000001-	Bushing	75 mm		TAK-19001-10002	39.26
	19001-10000	185000001-	Wear Ring		120 mm	TAK-19001-10026	23.45
TENSIONING LH	19001-10300	185000001-	P-N-4	60 mm	110 mm	TAK-19001-10299	42.88
	19001-10300	185000001-	P-N-4	60 mm	110 mm	TAK-19001-10299-EX	54.04
	19001-10300	185000001-	Bushing	60 mm		TAK-19001-10202	26.22
	19001-10300	185000001-	Wear Ring		110 mm	TAK-19000-63926	29.49
TENSIONING RH	19001-10200	185000001-	P-N-4	60 mm	110 mm	TAK-19001-10299	42.88
	19001-10200	185000001-	P-N-4	60 mm	110 mm	TAK-19001-10299-EX	54.04
	19001-10200	185000001-	Bushing	60 mm		TAK-19001-10202	26.22
	19001-10200	185000001-	Wear Ring		110 mm	TAK-19000-63926	29.49
MODEL TB290							
ADJUST 2pc Boom	19001-10800	185100001-	P-UB-10	75 mm	130 mm	TAK-19001-10899	237.79
	19001-10800	190200001-	P-UB-10	75 mm	130 mm	TAK-19001-10899	237.79
	19001-10800	190200001-	P-UB-10	75 mm	130 mm	TAK-19001-10899-EX	245.60
	19001-10800	185100001-	P-UB-10	75 mm	130 mm	TAK-19001-10899-EX	245.60
	19001-10800	190200001-	Bushing	75 mm		TAK-19001-10002	39.26
	19001-10800	185100001-	Bushing	75 mm		TAK-19001-10002	39.26
	19001-10800	190200001-	Wear Ring		130 mm	TAK-19001-10626	29.09
	19001-10800	185100001-	Wear Ring		130 mm	TAK-19001-10626	29.09
ANGLE BLADE	19001-10900	185100001-	P-UB-10	45 mm	75 mm	TAK-19001-10999	85.62
	19001-10900	185100001-	P-UB-10	45 mm	75 mm	TAK-19001-10999-EX	89.35
	19001-10900	185100001-	Bushing	45 mm		TAK-19001-10902	17.17
	19001-10900	185100001-	Wear Ring	75 mm		TAK-19001-10926	9.67
ARM	19001-09700	185100001-	P-UB-10	70 mm	100 mm	TAK-19001-09799	101.07
	19001-09700	190200001-	P-UB-10	70 mm	100 mm	TAK-19001-09799	101.07
	19001-09700	190000001-	P-UB-10	70 mm	100 mm	TAK-19001-09799	101.07
	19001-09700	185100001-	P-UB-10	70 mm	100 mm	TAK-19001-09799-EX	165.91
	19001-09700	190200001-	P-UB-10	70 mm	100 mm	TAK-19001-09799-EX	165.91
	19001-09700	190000001-	P-UB-10	70 mm	100 mm	TAK-19001-09799-EX	165.91
	19001-09700	185100001-	Bushing	70 mm		TAK-19001-09714	34.44
	19001-09700	190000001-	Bushing	70 mm		TAK-19001-09714	34.44
	19001-09700	190200001-	Bushing	70 mm		TAK-19001-09714	34.44
	19001-09700	190000001-	Wear Ring		100 mm	TAK-19001-07826	40.92
	19001-09700	190200001-	Wear Ring		100 mm	TAK-19001-07826	40.92
	19001-09700	185100001-	Wear Ring		100 mm	TAK-19001-07826	40.92

Hercules Sealing Products and original equipment Takeuchi kits may not include the necessary wear rings for your cylinder rebuild. Kits with an -EX suffix will include these wear rings.

Please ask your sales representative for a cross-reference if no -EX kit or complementary parts are listed.

TAKEUCHI

Excavators							
APPLICATION	CYL #	SERIAL #	CODE	ROD	BORE	KIT #	List \$
MODEL TB290							
ARM 2pc Boom	19001-10700	190200001-	P-UB-10	70 mm	105 mm	TAK-19001-10799	116.03
	19001-10700	185100001-	P-UB-10	70 mm	105 mm	TAK-19001-10799	116.03
	19001-10700	185100001-	P-UB-10	70 mm	105 mm	TAK-19001-10799-EX	136.62
	19001-10700	190200001-	P-UB-10	70 mm	105 mm	TAK-19001-10799-EX	136.62
	19001-10700	190200001-	Bushing	70 mm		TAK-19001-09714	34.44
	19001-10700	185100001-	Bushing	70 mm		TAK-19001-09714	34.44
	19001-10700	185100001-	Wear Ring		105 mm	TAK-19001-10726	23.12
BOOM 2pc	19001-10600	185100001-	P-UB-10	85 mm	130 mm	TAK-19001-10699	192.19
	19001-10600	190200001-	P-UB-10	85 mm	130 mm	TAK-19001-10699	192.19
	19001-10600	190200001-	P-UB-10	85 mm	130 mm	TAK-19001-10699-EX	207.80
	19001-10600	185100001-	P-UB-10	85 mm	130 mm	TAK-19001-10699-EX	207.80
	19001-10600	190200001-	Bushing	85 mm		TAK-19001-10602	48.79
	19001-10600	185100001-	Bushing	85 mm		TAK-19001-10602	48.79
	19001-10600	185100001-	Wear Ring		130 mm	TAK-19001-10626	29.09
BOOM LH	19001-09800	190000001-	P-UB-10	60 mm	85 mm	TAK-19001-09899	107.57
	19001-09800	190000001-	P-UB-10	60 mm	85 mm	TAK-19001-09899-EX	113.74
	19001-09800	190000001-	Bushing	60 mm		TAK-19001-09602	26.22
	19001-09800	190000001-	Wear Ring		85 mm	TAK-19001-09826	14.08
	19001-15700	185100001-	P-UB-10	60 mm	85 mm	TAK-19001-15699	123.13
	19001-15700	190200001-	P-UB-10	60 mm	85 mm	TAK-19001-15699	123.13
	19001-15700	185100001-	P-UB-10	60 mm	85 mm	TAK-19001-15699-EX	129.29
	19001-15700	190200001-	P-UB-10	60 mm	85 mm	TAK-19001-15699-EX	129.29
	19001-15700	190200001-	Bushing	60 mm		TAK-19001-09602	26.22
	19001-15700	185100001-	Bushing	60 mm		TAK-19001-09602	26.22
BOOM RH	19001-09900	190000001-	P-UB-10	60 mm	85 mm	TAK-19001-09899	107.57
	19001-09900	190000001-	P-UB-10	60 mm	85 mm	TAK-19001-09899-EX	113.74
	19001-09900	190000001-	Bushing	60 mm		TAK-19001-09602	26.22
	19001-09900	190000001-	Wear Ring		85 mm	TAK-19001-09826	14.08
	19001-15600	190200001-	P-UB-10	60 mm	85 mm	TAK-19001-15699	123.13
	19001-15600	185100001-	P-UB-10	60 mm	85 mm	TAK-19001-15699	123.13
	19001-15600	190200001-	P-UB-10	60 mm	85 mm	TAK-19001-15699-EX	129.29
	19001-15600	185100001-	P-UB-10	60 mm	85 mm	TAK-19001-15699-EX	129.29
	19001-15600	185100001-	Bushing	60 mm		TAK-19001-09602	26.22
	19001-15600	190200001-	Bushing	60 mm		TAK-19001-09602	26.22
BUCKET	19001-09600	185100001-	P-UB-10	60 mm	90 mm	TAK-19001-09699	152.04
	19001-09600	190200001-	P-UB-10	60 mm	90 mm	TAK-19001-09699	152.04
	19001-09600	190000001-	P-UB-10	60 mm	90 mm	TAK-19001-09699	152.04
	19001-09600	185100001-	P-UB-10	60 mm	90 mm	TAK-19001-09699-EX	160.19
	19001-09600	190200001-	P-UB-10	60 mm	90 mm	TAK-19001-09699-EX	160.19
	19001-09600	190000001-	P-UB-10	60 mm	90 mm	TAK-19001-09699-EX	160.19
	19001-09600	190000001-	Bushing	60 mm		TAK-19001-09602	26.22
	19001-09600	190200001-	Bushing	60 mm		TAK-19001-09602	26.22
	19001-09600	185100001-	Bushing	60 mm		TAK-19001-09602	26.22
	19001-09600	190000001-	Wear Ring		90 mm	TAK-19001-09626	15.34
BUCKET 2pc Boom	19001-12500	190200001-	P-UB-10	60 mm	90 mm	TAK-19001-12599	146.47
	19001-12500	185100001-	P-UB-10	60 mm	90 mm	TAK-19001-12599	146.47
	19001-12500	185100001-	P-UB-10	60 mm	90 mm	TAK-19001-12599-EX	154.63
	19001-12500	185100001-	P-UB-10	60 mm	90 mm	TAK-19001-12599-EX	154.63

Hercules Sealing Products and original equipment Takeuchi kits may not include the necessary wear rings for your cylinder rebuild. Kits with an -EX suffix will include these wear rings.

Please ask your sales representative for a cross-reference if no -EX kit or complementary parts are listed.

TAKEUCHI

Excavators								
APPLICATION	CYL #	SERIAL #	CODE	ROD	BORE	KIT #	List \$	
MODEL TB290								
BUCKET 2pc Boom	19001-12500	190200001-	P-UB-10	60 mm	90 mm	TAK-19001-12599-EX	154.63	
	19001-12500	190200001-	Bushing	60 mm		TAK-19001-09602	26.22	
	19001-12500	185100001-	Bushing	60 mm		TAK-19001-09602	26.22	
	19001-12500	185100001-	Wear Ring		90 mm	TAK-19001-09626	15.34	
	19001-12500	190200001-	Wear Ring		90 mm	TAK-19001-09626	15.34	
DOZER BLADE	19001-11100	190200001-	P-UB-10	65 mm	125 mm	TAK-19001-11199	89.04	
	19001-11100	185100001-	P-UB-10	65 mm	125 mm	TAK-19001-11199	89.04	
	19001-11100	190000001-	P-UB-10	65 mm	125 mm	TAK-19001-11199	89.04	
	19001-11100	190200001-	P-UB-10	65 mm	125 mm	TAK-19001-11199-EX	97.82	
	19001-11100	190000001-	P-UB-10	65 mm	125 mm	TAK-19001-11199-EX	97.82	
	19001-11100	185100001-	P-UB-10	65 mm	125 mm	TAK-19001-11199-EX	97.82	
	19001-11100	190200001-	Bushing	65 mm		TAK-19001-11102	31.43	
	19001-11100	185100001-	Bushing	65 mm		TAK-19001-11102	31.43	
	19001-11100	190000001-	Bushing	65 mm		TAK-19001-11102	31.43	
	19001-11100	190200001-	Wear Ring		125 mm	TAK-19001-11126	27.34	
	19001-11100	190000001-	Wear Ring		125 mm	TAK-19001-11126	27.34	
	19001-11100	185100001-	Wear Ring		125 mm	TAK-19001-11126	27.34	
	SWING	19001-10000	190200001-	P-UB-10	75 mm	120 mm	TAK-19001-10099	130.87
		19001-10000	185100001-	P-UB-10	75 mm	120 mm	TAK-19001-10099	130.87
19001-10000		190000001-	P-UB-10	75 mm	120 mm	TAK-19001-10099	130.87	
19001-10000		190000001-	P-UB-10	75 mm	120 mm	TAK-19001-10099-EX	143.69	
19001-10000		185100001-	P-UB-10	75 mm	120 mm	TAK-19001-10099-EX	143.69	
19001-10000		190200001-	P-UB-10	75 mm	120 mm	TAK-19001-10099-EX	143.69	
19001-10000		185100001-	Bushing	75 mm		TAK-19001-10002	39.26	
19001-10000		190200001-	Bushing	75 mm		TAK-19001-10002	39.26	
19001-10000		190000001-	Bushing	75 mm		TAK-19001-10002	39.26	
19001-10000		185100001-	Wear Ring		120 mm	TAK-19001-10026	23.45	
19001-10000		190000001-	Wear Ring		120 mm	TAK-19001-10026	23.45	
19001-10000		190200001-	Wear Ring		120 mm	TAK-19001-10026	23.45	
TENSIONING LH		19001-10300	190200001-	P-N-4	60 mm	110 mm	TAK-19001-10299	42.88
		19001-10300	190000001-	P-N-4	60 mm	110 mm	TAK-19001-10299	42.88
	19001-10300	185100001-	P-N-4	60 mm	110 mm	TAK-19001-10299	42.88	
	19001-10300	190200001-	P-N-4	60 mm	110 mm	TAK-19001-10299-EX	54.04	
	19001-10300	185100001-	P-N-4	60 mm	110 mm	TAK-19001-10299-EX	54.04	
	19001-10300	190000001-	P-N-4	60 mm	110 mm	TAK-19001-10299-EX	54.04	
	19001-10300	190200001-	Bushing	60 mm		TAK-19001-10202	26.22	
	19001-10300	185100001-	Bushing	60 mm		TAK-19001-10202	26.22	
	19001-10300	190000001-	Bushing	60 mm		TAK-19001-10202	26.22	
	19001-10300	185100001-	Wear Ring		110 mm	TAK-19000-63926	29.49	
	19001-10300	190000001-	Wear Ring		110 mm	TAK-19000-63926	29.49	
	19001-10300	190200001-	Wear Ring		110 mm	TAK-19000-63926	29.49	
	TENSIONING RH	19001-10200	190000001-	P-N-4	60 mm	110 mm	TAK-19001-10299	42.88
		19001-10200	185100001-	P-N-4	60 mm	110 mm	TAK-19001-10299	42.88
19001-10200		190200001-	P-N-4	60 mm	110 mm	TAK-19001-10299	42.88	
19001-10200		190000001-	P-N-4	60 mm	110 mm	TAK-19001-10299-EX	54.04	
19001-10200		190200001-	P-N-4	60 mm	110 mm	TAK-19001-10299-EX	54.04	
19001-10200		185100001-	P-N-4	60 mm	110 mm	TAK-19001-10299-EX	54.04	
19001-10200		190000001-	Bushing	60 mm		TAK-19001-10202	26.22	
19001-10200		190200001-	Bushing	60 mm		TAK-19001-10202	26.22	
19001-10200		185100001-	Bushing	60 mm		TAK-19001-10202	26.22	
19001-10200		185100001-	Wear Ring		110 mm	TAK-19000-63926	29.49	
19001-10200		190000001-	Wear Ring		110 mm	TAK-19000-63926	29.49	
19001-10200		190200001-	Wear Ring		110 mm	TAK-19000-63926	29.49	

Hercules Sealing Products and original equipment Takeuchi kits may not include the necessary wear rings for your cylinder rebuild. Kits with an -EX suffix will include these wear rings.

Please ask your sales representative for a cross-reference if no -EX kit or complementary parts are listed.

TAKEUCHI

Excavators - Compact

APPLICATION	CYL #	SERIAL #	CODE	ROD	BORE	KIT #	List \$
MODEL TB014							
ARM	1900074600	11400003-11400358	P-U-10	30 mm	55 mm	TAK-19000-51999	117.01
	1900075400	11400359	P-U-10	30 mm	55 mm	TAK-19000-51999	117.01
BLADE	1900070300		P-U-10	35 mm	63 mm	TAK-19000-70399	36.70
BLADE LONGER	1900074900		P-U-10	40 mm	75 mm	TAK-19000-54399	132.33
BOOM (CAB)	1900072500	11400003-11400436	P-U-10	30 mm	55 mm	TAK-19000-70499	95.09
	1900080200	11400437-11400490	P-U-10	30 mm	55 mm	TAK-19000-70499	95.09
	1900082500	11400491-	P-U-10	30 mm	55 mm	TAK-19000-70499	95.09
BOOM (CANOPY)	1900070400	11400003-11400490	P-U-10	30 mm	55 mm	TAK-19000-70499	95.09
	1900080100	11400437-11400490	P-U-10	30 mm	55 mm	TAK-19000-70499	95.09
	1900082400	11400491-	P-U-10	30 mm	55 mm	TAK-19000-70499	95.09
BUCKET	1900072200		P-U-10	30 mm	50 mm	TAK-19000-72299	107.16
SWING	1900070500		P-U-10	35 mm	60 mm	TAK-19000-70599	145.06
MODEL TB016							
ARM			P-U-10	30 mm	55 mm	TAK-19000-51999	117.01
BLADE			P-U-10	40 mm	75 mm	TAK-19000-54399	132.33
BOOM			P-U-10	30 mm	55 mm	TAK-19000-70499	95.09
BUCKET			P-U-10	35 mm	63 mm	TAK-19000-70399	36.70
SWING			P-U-10	35 mm	60 mm	TAK-19000-70599	145.06
MODEL TB108							
ARM			P-U-10	30 mm	55 mm	TAK-19000-87499	46.57
BOOM			P-U-10	25 mm	50 mm	TAK-19000-87599	42.06
BUCKET			P-U-10	25 mm	50 mm	TAK-19000-87299	39.97
DOZER			P-U-10	25 mm	50 mm	TAK-19000-87299	39.97
SWING			P-U-10	25 mm	50 mm	TAK-19000-87299	39.97
MODEL TB125							
ARM		12510009-12514525	P-U-10	40 mm	70 mm	TAK-19000-77499	87.42
BUCKET		12510009-12514525	I-U-14	35 mm	60 mm	TAK-19000-60699	160.19
DOZER		12510009-12514525	P-U-10	45 mm	85 mm	TAK-19000-78299	149.07
SWING		12510009-12514525	I-U-14	40 mm	75 mm	TAK-19000-77999	72.53
MODEL TB135							
ARM		13510004-13514050	P-U-10	45 mm	85 mm	TAK-19000-77399	35.60
		13514051 UP	P-U-10	45 mm	80 mm	TAK-19000-91499	77.46
		13510004-13514050	Wear Ring		80 mm	TAK-19000-47232	154.33
		13514051 UP	Wear Ring		80 mm	TAK-19000-90626	16.60
BLADE		13510004-13514050	P-U-10	55 mm	100 mm	TAK-19000-55199	180.81
		13514051 UP	P-U-10	55 mm	100 mm	TAK-19000-91799	78.18
		13510004-13514050	Wear Ring		100 mm	TAK-19000-47032	191.27
		13514051 UP	Wear Ring		100 mm	TAK-19000-86926	21.40
BOOM		13514051 UP	P-U-10	45 mm	85 mm	TAK-19000-77299	43.64
		13510004-13514050	P-U-10	45 mm	85 mm	TAK-19000-77299	43.64
		13510004-13514050	Wear Ring		85 mm	TAK-19000-50931	174.98
		13514051 UP	Wear Ring		85 mm	TAK-19000-50931	174.98
BUCKET		13510004-13514050	P-U-10	40 mm	70 mm	TAK-19000-77499	87.42
		13514051 UP	P-U-10	40 mm	70 mm	TAK-19000-91599	55.89
		13516745 UP	P-U-10	40 mm	70 mm	TAK-19000-91599	55.89
		13510004-13514050	Wear Ring		70 mm	TAK-19000-51131	99.56
		13514051-13516744	Wear Ring		70 mm	TAK-19000-88626	14.40
		13516745 UP	Wear Ring		70 mm	TAK-19000-97131	14.40
SWING		13510004-13514050	P-U-10	45 mm	80 mm	TAK-19000-75599	37.21
		13514051 UP	P-U-10	45 mm	80 mm	TAK-19000-91699	42.98
		13510004-13514050	Wear Ring		80 mm	TAK-19000-47232	154.33
		13514051 UP	Wear Ring		80 mm	TAK-19000-90626	16.60

Hercules Sealing Products and original equipment Takeuchi kits may not include the necessary wear rings for your cylinder rebuild. Kits with an -EX suffix will include these wear rings.

Please ask your sales representative for a cross-reference if no -EX kit or complementary parts are listed.

TAKEUCHI

TAKEUCHI

Excavators - Compact							
APPLICATION	CYL #	SERIAL #	CODE	ROD	BORE	KIT #	List \$
MODEL TB138FR							
ARM	19000-91400	13810003-UP; 13820001-UP	P-U-10	45 mm	80 mm	TAK-19000-91499	77.46
	19000-91400	13810003-UP; 13820001-UP	Bushing	45 mm		TAK-13330-04525	24.21
	19000-91400	13810003-UP; 13820001-UP	Wear Ring		80 mm	TAK-19000-90626	16.60
BOOM	19001-00400	13810003-UP; 13820001-UP	P-U-10	50 mm	90 mm	TAK-19001-00499	88.40
	19001-00400	13810003-UP; 13820001-UP	Bushing	50 mm		TAK-13330-05030	21.84
	19001-00400	13810003-UP; 13820001-UP	Wear Ring		90 mm	TAK-19000-47132	188.48
	19001-02500	13810003-UP; 13820001-UP	P-U-10	50 mm	90 mm	TAK-19001-00499	88.40
	19001-02500	13810003-UP; 13820001-UP	Bushing	50 mm		TAK-19001-02502	21.84
BUCKET	19000-97100	13810003-UP; 13820001-UP	P-U-10	40 mm	70 mm	TAK-19000-91599	55.89
	19000-97100	13810003-UP; 13820001-UP	Bushing	40 mm		TAK-19000-88620	13.12
	19000-97100	13810003-UP; 13820001-UP	Wear Ring		70 mm	TAK-19000-97131	14.40
DOZER BLADE	19000-91700	13810003-UP; 13820001-UP	P-U-10	55 mm	100 mm	TAK-19000-91799	78.18
	19000-91700	13810003-UP; 13820001-UP	Bushing	55 mm		TAK-19000-47019	25.08
	19000-91700	13810003-UP; 13820001-UP	Wear Ring		100 mm	TAK-19000-86926	21.40
OFFSET	19000-86600	13810003-UP; 13820001-UP	P-U-10	50 mm	90 mm	TAK-19000-86699	88.40
	19000-86600	13810003-UP; 13820001-UP	Bushing	50 mm		TAK-13330-05030	21.84
	19000-86600	13810003-UP; 13820001-UP	Wear Ring		90 mm	TAK-19000-47132	188.48
MODEL TB145							
ARM	19000-75700	14510004-14510788	I-UB-14	50 mm	90 mm	TAK-19000-75799	242.04
	19000-81500	14510789-14512426	P-U-10	50 mm	90 mm	TAK-19000-81599	149.97
	19000-87900	14512427-	P-U-10	50 mm	90 mm	TAK-19000-87999	88.51
BLADE	19000-77100	14510004-	I-U-14	60 mm	110 mm	TAK-19000-77199	87.65
BOOM	19000-75600		I-U-14	55 mm	100 mm	TAK-19000-75699	248.19
	19000-75600		I-U-14	55 mm	100 mm	TAK-19000-80599	75.89
	19000-80500		I-U-14	55 mm	100 mm	TAK-19000-75699	248.19
	19000-80500		I-U-14	55 mm	100 mm	TAK-19000-80599	75.89
	19000-87800	14510004-14515345	P-U-10	55 mm	100 mm	TAK-19000-87899	103.36
	19000-97900	14515346-	P-U-10	55 mm	100 mm	TAK-19000-87899	103.36
BOOM (S/O VALVE)	19000-76100		I-U-14	55 mm	100 mm	TAK-19000-75699	248.19
	19000-76100		I-U-14	55 mm	100 mm	TAK-19000-80599	75.89
	19000-80600	14510004-14510476	I-U-14	55 mm	100 mm	TAK-19000-75699	248.19
	19000-80600	14510477-14510788	I-U-14	55 mm	100 mm	TAK-19000-80599	75.89
BUCKET	19000-75800	14510004-	I-U-14	45 mm	80 mm	TAK-19000-75899	94.96
SWING	19000-75900	14510004-14511685	I-UB-14	50 mm	90 mm	TAK-19000-75799	242.04
	19000-83300	14511686-	P-U-10	50 mm	90 mm	TAK-19000-83399	45.20
MODEL TB153FR							
ARM	19000-87900	15820004-UP; 15830001-UP	P-U-10	50 mm	90 mm	TAK-19000-87999	88.51
	19000-87900	15820004-UP; 15830001-UP	Bushing	50 mm		TAK-19000-87913	22.94
	19000-87900	15820004-UP; 15830001-UP	Wear Ring		90 mm	TAK-19000-87926	10.52
BOOM	19000-92200	15820004-UP; 15830001-UP	P-U-10	60 mm	110 mm	TAK-19000-92299	80.46
	19000-92200	15820004-UP; 15830001-UP	Bushing	60 mm		TAK-19000-92202	26.22
	19000-92200	15820004-UP; 15830001-UP	Wear Ring		110 mm	TAK-19000-91824	11.44
BUCKET	19000-75800	15820004-UP; 15830001-UP	I-U-14	45 mm	80 mm	TAK-19000-75899	94.96
	19000-75800	15820004-UP; 15830001-UP	Bushing	45 mm		TAK-13330-04540	23.82
	19000-75800	15820004-UP; 15830001-UP	Wear Ring		80 mm	TAK-14108-10800	9.75
DOZER BLADE	19000-77100	15820004-UP; 15830001-UP	I-U-14	60 mm	110 mm	TAK-19000-77199	87.65
	19000-77100	15820004-UP; 15830001-UP	Bushing	60 mm		TAK-13330-06040	35.04
	19000-77100	15820004-UP; 15830001-UP	Wear Ring		110 mm	TAK-14108-11100	29.48
OFFSET	19000-92300	15820004-UP; 15830001-UP	P-U-10	55 mm	100 mm	TAK-19000-92399	70.67
	19000-92300	15820004-UP; 15830001-UP	Bushing	55 mm		TAK-19000-87813	25.08
	19000-92300	15820004-UP; 15830001-UP	Wear Ring		100 mm	TAK-19000-89525	10.98
MODEL TB175							
ARM	19000-79100	17510003-17512104	P-UB-10	65 mm	95 mm	TAK-19000-76399	202.05

Hercules Sealing Products and original equipment Takeuchi kits may not include the necessary wear rings for your cylinder rebuild. Kits with an -EX suffix will include these wear rings.

Please ask your sales representative for a cross-reference if no -EX kit or complementary parts are listed.

TAKEUCHI

Excavators - Compact							
APPLICATION	CYL #	SERIAL #	CODE	ROD	BORE	KIT #	List \$
MODEL TB175							
ARM	19000-90900		P-UB-10	65 mm	95 mm	TAK-19000-76399	202.05
	19000-97500	17513848-	P-UB-10	65 mm	95 mm	TAK-19000-76399	202.05
BLADE (LH)	19000-79500	17510003-17512104	P-UB-10	60 mm	100 mm	TAK-19000-79499	210.15
BLADE (RH)	19000-79400		P-UB-10	60 mm	100 mm	TAK-19000-79499	210.15
	19000-91200		P-UB-10	60 mm	100 mm	TAK-19000-91299	94.70
BOOM (2 PIECE)	19000-86800	17510003-17513781	P-UB-10	70 mm	120 mm	TAK-19000-86899	87.56
	19000-93900	17513782-	P-UB-10	70 mm	120 mm	TAK-19000-86899	87.56
BOOM (LH)	19000-79000	17510003-17512104	P-UB-10	55 mm	80 mm	TAK-19000-78999	201.31
	19000-90800	17512105-17513781	P-UB-10	55 mm	80 mm	TAK-19000-78999	201.31
	19000-93700	17513782-	P-UB-10	55 mm	80 mm	TAK-19000-78999	201.31
	19000-97600	17514514-	P-UB-10	55 mm	80 mm	TAK-19000-78999	201.31
BOOM (RH)	19000-78900	17510003-17512104	P-UB-10	55 mm	80 mm	TAK-19000-78999	201.31
	19000-90700	17512105-17513781	P-UB-10	55 mm	80 mm	TAK-19000-78999	201.31
	19000-93600	17513782-	P-UB-10	55 mm	80 mm	TAK-19000-78999	201.31
	19000-97700	17514514-	P-UB-10	55 mm	80 mm	TAK-19000-78999	201.31
BOOM 2 PIECE			P-UB-10	55 mm	90 mm	TAK-19000-87099	51.68
BUCKET	19000-79200	17510003-17510308	P-UB-10	55 mm	85 mm	TAK-19000-63599	194.83
	19000-91000	17512105-	P-UB-10	55 mm	85 mm	TAK-19000-91099	75.31
SWING	19000-79300	17510003-17512104	P-UB-10	75 mm	120 mm	TAK-19000-79399	291.89
	19000-91100	17512105-	P-UB-10	75 mm	120 mm	TAK-19000-91199	81.89
TENSION LH	19000-81100	17510003-	P-N-4	60 mm	110 mm	TAK-19000-63999	145.41
TENSION RH	19000-81000	17510003-	P-N-4	60 mm	110 mm	TAK-19000-63999	145.41
MODEL TB216							
ARM	19001-16200	216000002-	P-U-10	35 mm	60 mm	TAK-19001-05299	123.56
	19001-16200	216000002-	Bushing	35 mm		TAK-19001-02413	12.82
	19001-16200	216000002-	Wear Ring		60 mm	TAK-19001-05226	10.07
BOOM	19001-16100	216000002-	P-U-10	35 mm	60 mm	TAK-19001-05299	123.56
	19001-16100	216000002-	Bushing	35 mm		TAK-19001-02413	12.82
	19001-16200	216000002-	Wear Ring		60 mm	TAK-19001-05226	10.07
BUCKET	19001-13700	216000002-	P-U-10	30 mm	50 mm	TAK-19001-13799	132.98
	19001-13700	216000002-	Bushing	30 mm		TAK-19001-05302	12.33
	19001-16000	216000002-	Wear Ring		50 mm	TAK-19000-61526	21.29
DOZER BLADE	19001-14100	216000002-	P-U-10	40 mm	70 mm	TAK-19001-14199	137.89
	19001-14100	216000002-	Bushing	40 mm		TAK-19001-02002	13.12
	19001-14100	216000002-	Wear Ring		70 mm	TAK-19000-97131	14.40
SWING	19001-16000	216000002-	P-U-10	35 mm	60 mm	TAK-19001-15999	141.38
	19001-16000	216000002-	Bushing	35 mm		TAK-19001-02413	12.82
	19001-16000	216000002-	Wear Ring		60 mm	TAK-19001-05226	10.07
MODEL TB230							
ANGLE BLADE	19001-02300	130000003-	P-U-10	30 mm	50 mm	TAK-19001-02399	125.00
	19001-02300	130000003-	Bushing	30 mm		TAK-19001-05302	12.33
	19001-02300	130000003-	Wear Ring		50 mm	TAK-19000-56928	21.29
ARM	19001-18000	130000003-	P-U-10	40 mm	70 mm	TAK-19000-93499	168.24
	19001-18000	130000003-	Bushing	40 mm		TAK-19001-02002	13.12
	19001-18000	130000003-	Wear Ring		70 mm	TAK-19000-97131	14.40
BOOM	19001-17900	130000003-	P-U-10	40 mm	75 mm	TAK-19001-06699	135.52
	19001-17900	130000003-	Bushing	40 mm		TAK-19001-02002	13.12
	19001-17900	130000003-	Wear Ring		75 mm	TAK-19001-04926	39.10
BUCKET	19000-77800	130000003-	I-U-14	35 mm	60 mm	TAK-19000-60699	160.19
	19000-77800	130000003-	Bushing	35 mm		TAK-13330-03525	11.55
	19000-77800	130000003-	Wear Ring		60 mm	TAK-14107-06008	10.60
DOZER BLADE	19001-18900	130000003-	P-U-10	45 mm	85 mm	TAK-19001-18999	215.14
	19001-18900	130000003-	Bushing	45 mm		TAK-19001-01702	24.21
	19001-18900	130000003-	Wear Ring		85 mm	TAK-19001-18926	10.75

Hercules Sealing Products and original equipment Takeuchi kits may not include the necessary wear rings for your cylinder rebuild. Kits with an -EX suffix will include these wear rings.

Please ask your sales representative for a cross-reference if no -EX kit or complementary parts are listed.

TAKEUCHI

Excavators - Compact

APPLICATION	CYL #	SERIAL #	CODE	ROD	BORE	KIT #	List \$
MODEL TB230							
SWING	19001-17600	130000003-	I-U-14	40 mm	75 mm	TAK-19001-05599	173.08
	19001-17600	130000003-	Bushing	40 mm		TAK-19001-05502	15.81
	19001-17600	130000003-	Wear Ring		75 mm	TAK-19001-05526	4.05
MODEL TB235							
ARM	19000-91400	123500001-123500516	P-U-10	45 mm	80 mm	TAK-19000-91499	77.46
	19000-91400	123500001-123500516	Bushing	45 mm		TAK-13330-04525	24.21
	19000-91400	123500001-123500516	Wear Ring		80 mm	TAK-19000-90626	16.60
	19001-01500	123500517-	P-U-10	45 mm	80 mm	TAK-19000-91499	77.46
	19001-01500	123500517-	Bushing	45 mm		TAK-19001-01702	24.21
	19001-01500	123500517-	Wear Ring		80 mm	TAK-19001-01726	10.52
	19001-01700	123500001-	P-U-10	45 mm	80 mm	TAK-19001-01799	126.00
	19001-01700	123500001-	Bushing	45 mm		TAK-19001-01702	24.21
BOOM	19001-01700	123500001-	Wear Ring		80 mm	TAK-19001-01726	10.52
	19000-96900	123500001-	P-U-10	45 mm	85 mm	TAK-19000-77299	43.64
	19000-96900	123500001-	Bushing	45 mm		TAK-13330-04530	18.54
BOOM (S/O VALVE)	19000-96900	123500001-	Wear Ring		85 mm	TAK-19000-50931	174.98
	19000-97800	123500001-	P-U-10	45 mm	85 mm	TAK-19000-77299	43.64
	19000-97800	123500001-	Bushing	45 mm		TAK-13330-04530	18.54
BUCKET	19000-97800	123500001-	Wear Ring		85 mm	TAK-19000-50931	174.98
	19000-97100	123500001-	P-U-10	40 mm	70 mm	TAK-19000-91599	55.89
	19000-97100	123500001-	Bushing	40 mm		TAK-19000-88620	13.12
DOZER BLADE	19000-97100	123500001-	Wear Ring		70 mm	TAK-19000-97131	14.40
	19000-91700	123500001-	P-U-10	55 mm	100 mm	TAK-19000-91799	78.18
	19000-91700	123500001-	Bushing	55 mm		TAK-19000-47019	25.08
SWING	19000-91700	123500001-	Wear Ring		100 mm	TAK-19000-86926	21.40
	19001-03500	123500001-123500576	P-U-10	45 mm	80 mm	TAK-19001-03599	158.29
	19001-03500	123500001-123500576	Bushing	45 mm		TAK-19001-01702	24.21
	19001-03500	123500001-123500576	Wear Ring		80 mm	TAK-19001-01726	10.52
	19001-05600	123500577-	P-U-10	45 mm	80 mm	TAK-19001-03599	158.29
	19001-05600	123500577-	Bushing	45 mm		TAK-19001-01702	24.21
	19001-05600	123500577-	Wear Ring		80 mm	TAK-19001-01726	10.52
MODEL TB235-2							
ANGLE BLADE	19001-18400	123600005-	P-U-10	35 mm	60 mm	TAK-19001-18499	112.17
	19001-18400	123600005-	Bushing	35 mm		TAK-19001-02413	12.82
	19001-18400	123600005-	Wear Ring		60 mm	TAK-19001-05226	10.07
ARM	19001-26400	123600005-	P-U-10	45 mm	75 mm	TAK-19001-04999	116.69
	19001-26400	123600005-	Bushing	45 mm		TAK-19001-01702	24.21
	19001-26500	123600005-	P-U-10	45 mm	75 mm	TAK-19001-04999	116.69
	19001-26500	123600005-	Bushing	45 mm		TAK-19001-01702	24.21
BOOM	19001-26200	123600005-	P-U-10	45 mm	80 mm	TAK-19001-26299	159.56
	19001-26200	123600005-	Bushing	45 mm		TAK-19001-01702	24.21
	19001-26300	123600005-	P-U-10	45 mm	80 mm	TAK-19001-26299	159.56
	19001-26300	123600005-	Bushing	45 mm		TAK-19001-01702	24.21
BUCKET	19001-26900	123600005--123601297	P-U-10	40 mm	65 mm	TAK-19001-26999	136.93
	19001-26900	123600005--123601297	Bushing	40 mm		TAK-19001-02002	13.12
	19001-30000	123601298-	P-U-10	40 mm	65 mm	TAK-19001-26999	136.93
	19001-30000	123601298-	Bushing	40 mm		TAK-19001-02002	13.12
DOZER BLADE	19001-18300	123600005-123601567	P-U-10	55 mm	105 mm	TAK-19001-18399	166.54
	19001-18300	123600005-123601567	Bushing	55 mm		TAK-19001-03402	25.08
SWING	19001-26700	123600005-	P-U-10	45 mm	80 mm	TAK-19001-26299	159.56
	19001-26700	123600005-	Bushing	45 mm		TAK-19001-01702	24.21
MODEL TB240							
ANGLE BLADE	19001-18400	124000003-	P-U-10	35 mm	60 mm	TAK-19001-18499	112.17
	19001-18400	124000003-	Bushing	35 mm		TAK-19001-02413	12.82

Hercules Sealing Products and original equipment Takeuchi kits may not include the necessary wear rings for your cylinder rebuild. Kits with an -EX suffix will include these wear rings.

Please ask your sales representative for a cross-reference if no -EX kit or complementary parts are listed.

TAKEUCHI

Excavators - Compact							
APPLICATION	CYL #	SERIAL #	CODE	ROD	BORE	KIT #	List \$
MODEL TB240							
ANGLE BLADE	19001-18400	124000003-	Wear Ring		60 mm	TAK-19001-05226	10.07
ARM	19001-18200	124000003-	P-U-10	45 mm	80 mm	TAK-19000-91499	77.46
	19001-18200	124000003-	Bushing	45 mm		TAK-19001-01702	24.21
	19001-18200	124000003-	Wear Ring		80 mm	TAK-19001-01726	10.52
BOOM	19001-18100	124000003-	P-U-10	50 mm	85 mm	TAK-19001-18199	172.77
	19001-18100	124000003-	Bushing	50 mm		TAK-19001-18113	22.94
BUCKET	19001-17800	124000003-	P-U-10	40 mm	70 mm	TAK-19000-91599	55.89
	19001-17800	124000003-	Bushing	40 mm		TAK-19001-02002	13.12
	19001-17800	124000003-	Wear Ring		70 mm	TAK-19000-97131	14.40
DOZER BLADE	19001-18300	124000003-	P-U-10	55 mm	105 mm	TAK-19001-18399	166.54
	19001-18300	124000003-	Bushing	55 mm		TAK-19001-03402	25.08
SWING	19001-17200	124000003-	P-U-10	45 mm	80 mm	TAK-19001-03599	158.29
	19001-17200	124000003-	Bushing	45 mm		TAK-19001-01702	24.21
	19001-17200	124000003-	Wear Ring		80 mm	TAK-19001-01726	10.52
MODEL TB250							
ARM	19001-02800	125000001-	P-U-10	50 mm	90 mm	TAK-19000-87999	88.51
	19001-02800	125000001-	Bushing	50 mm		TAK-19000-87913	22.94
	19001-02800	125000001-	Wear Ring		90 mm	TAK-19000-87926	10.52
	19001-02900	125000001-	P-U-10	50 mm	90 mm	TAK-19000-87999	88.51
	19001-02900	125000001-	Bushing	50 mm		TAK-19000-87913	22.94
	19001-02900	125000001-	Wear Ring		90 mm	TAK-19000-87926	10.52
BOOM	19000-93800	125000001-	P-U-10	55 mm	100 mm	TAK-19000-89099	86.01
	19000-93800	125000001-	Bushing	55 mm		TAK-19000-87813	25.08
	19000-93800	125000001-	Wear Ring		100 mm	TAK-19000-89525	10.98
BOOM (S/O Valve)	19001-02700	125000001-	P-U-10	55 mm	100 mm	TAK-19001-02799	148.42
	19001-02700	125000001-	Bushing	55 mm		TAK-19000-87813	25.08
	19001-02700	125000001-	Wear Ring		100 mm	TAK-19000-89525	10.98
BUCKET	19000-75800	125000001-	I-U-14	45 mm	80 mm	TAK-19000-75899	94.96
	19000-75800	125000001-	Bushing	45 mm		TAK-13330-04540	23.82
	19000-75800	125000001-	Wear Ring		80 mm	TAK-14108-10800	9.75
BUCKET (Breaker)	19001-07600	125000001-	I-U-14	45 mm	80 mm	TAK-19001-07699	173.09
	19001-07600	125000001-	Wear Ring		80 mm	TAK-19001-07626	9.62
DOZER BLADE	19000-77100	125000001-	I-U-14	60 mm	110 mm	TAK-19000-77199	87.65
	19000-77100	125000001-	Bushing	60 mm		TAK-13330-06040	35.04
	19000-77100	125000001-	Wear Ring		110 mm	TAK-14108-11100	29.48
SWING	19001-04600	125000001-	P-U-10	50 mm	90 mm	TAK-19000-83399	45.20
	19001-04600	125000001-	Bushing	50 mm		TAK-19001-02502	21.84
	19001-04600	125000001-	Wear Ring		90 mm	TAK-19000-47132	188.48
	19001-05700	125000295-	P-U-10	50 mm	90 mm	TAK-19001-05799	145.05
	19001-05700	125000295-	Bushing	50 mm		TAK-19001-02502	21.84
19001-05700	125000295-	Wear Ring		90 mm	TAK-19000-47132	188.48	
MODEL TB260							
ARM	19001-12900	126000002-	P-U-10	55 mm	90 mm	TAK-19001-12999	160.43
	19001-12900	126000002-	Bushing	55 mm		TAK-19001-12929	25.08
	19001-12900	126000002-	Wear Ring		90 mm	TAK-19000-87926	10.52
BOOM	19001-12800	126000002-	P-U-10	60 mm	100 mm	TAK-19001-12899	138.32
	19001-12800	126000002-	Bushing	60 mm		TAK-19001-12851	26.22
	19001-12800	126000002-	Wear Ring		100 mm	TAK-19000-89525	10.98
BUCKET	19001-13000	126000002-	P-U-10	50 mm	80 mm	TAK-19001-13099	124.03
	19001-13000	126000002-	Bushing	50 mm		TAK-19001-13002	22.94
	19001-13000	126000002-	Wear Ring		80 mm	TAK-19000-90726	10.51
DOZER BLADE	19001-13200	126000002-	P-U-10	60 mm	110 mm	TAK-19001-13299	153.97
	19001-13200	126000002-	Wear Ring		110 mm	TAK-19000-91824	11.44
SWING	19001-13100	126000002-	P-U-10	50 mm	90 mm	TAK-19001-13199	153.79

Hercules Sealing Products and original equipment Takeuchi kits may not include the necessary wear rings for your cylinder rebuild. Kits with an -EX suffix will include these wear rings.

Please ask your sales representative for a cross-reference if no -EX kit or complementary parts are listed.

TAKEUCHI

Excavators - Compact

APPLICATION	CYL #	SERIAL #	CODE	ROD	BORE	KIT #	List \$
MODEL TB260							
SWING	19001-13100	126000002-	Bushing	50 mm		TAK-19001-13002	22.94
	19001-13100	126000002-	Wear Ring		90 mm	TAK-19000-87926	10.52

Loaders - Track Skid Steer

APPLICATION	CYL #	SERIAL #	CODE	ROD	BORE	KIT #	List \$
MODEL TL8							
BUCKET (LH)	19000-81400	200800002-	P-U-10	35 mm	65 mm	TAK-19000-81399	96.32
BUCKET (RH)	19000-81300	200800002-	P-U-10	35 mm	65 mm	TAK-19000-81399	96.32
LIFT ARM	19000-81800	200800002-	P-U-10	40 mm	65 mm	TAK-19000-81899	64.40
QUICK HITCH	19001-00700	200800002-	I-U-10	25 mm	40 mm	TAK-19001-00799	103.36
MODEL TL8R-2							
BUCKET (LH)	19001-32000	408000006-	P-U-10	35 mm	65 mm	TAK-19001-32099	134.15
BUCKET (RH)	19001-32100	408000006-	P-U-10	35 mm	65 mm	TAK-19001-32099	134.15
LIFT ARM	19001-31900	408000006-	P-U-10	40 mm	65 mm	TAK-19001-31999	130.33
QUICK HITCH	19001-32300	408000006-	I-U-10	25 mm	40 mm	TAK-19001-32399	75.33
MODEL TL10							
BUCKET (LH)	19000-85800	201000002-	P-U-10	40 mm	70 mm	TAK-19000-77499	87.42
BUCKET (RH)	19000-85700	201000002-	P-U-10	40 mm	70 mm	TAK-19000-77499	87.42
LIFT ARM	19000-85600	201000002-	P-U-10	40 mm	70 mm	TAK-19000-85699	106.49
QUICK HITCH	19001-00700	201000002-	I-U-10	25 mm	40 mm	TAK-19001-00799	103.36
MODEL TL10V2							
BUCKET (LH)	19001-20700	410000003-	P-U-10	40 mm	70 mm	TAK-19001-20799	172.22
BUCKET (RH)	19001-20800	410000003-	P-U-10	40 mm	70 mm	TAK-19001-20799	172.22
LIFT ARM	19001-20900	410000003-	P-U-10	55 mm	95 mm	TAK-19001-20999	233.43
QUICK HITCH	19001-20500	410000003-410000033	I-U-10	25 mm	40 mm	TAK-19001-00799	103.36
	19001-20500	410000034-410004104	I-U-10	25 mm	40 mm	TAK-19001-20599	54.08
	19001-32400	410004105-	I-U-10	25 mm	40 mm	TAK-19001-32399	75.33
MODEL TL12							
BUCKET (LH)	19000-79800	201200003-	P-U-10	40 mm	75 mm	TAK-19000-79799	132.33
BUCKET (RH)	19000-79700	201200003-	P-U-10	40 mm	75 mm	TAK-19000-79799	132.33
LIFT ARM	19000-80700	201200003-	P-U-10	45 mm	75 mm	TAK-19000-79699	194.36
QUICK HITCH	19001-00700	201200003-	I-U-10	25 mm	40 mm	TAK-19001-00799	103.36
MODEL TL12R2							
BUCKET (LH)	19001-20300	412100002-	P-U-10	45 mm	75 mm	TAK-19001-04999	116.69
BUCKET (RH)	19001-20400	412100002-	P-U-10	45 mm	75 mm	TAK-19001-04999	116.69
LIFT ARM	19001-20600	412100002-	P-U-10	45 mm	75 mm	TAK-19001-20699	190.62
QUICK HITCH	19001-20500	412100002-412102837	I-U-10	25 mm	40 mm	TAK-19001-20599	54.08
	19001-32400	412102838-	I-U-10	25 mm	40 mm	TAK-19001-32399	75.33
MODEL TL12V2							
BUCKET (LH)	19001-20300	412000006-	P-U-10	45 mm	75 mm	TAK-19001-04999	116.69
BUCKET (RH)	19001-20400	412000006-	P-U-10	45 mm	75 mm	TAK-19001-04999	116.69
LIFT ARM	19001-20200	412000006-	P-U-10	70 mm	115 mm	TAK-19001-20299	242.50
QUICK HITCH	19001-00700	412000006-412000518	I-U-10	25 mm	40 mm	TAK-19001-00799	103.36
	19001-20500	412000519-4120003188	I-U-10	25 mm	40 mm	TAK-19001-20599	54.08
	19001-32400	412003189-	I-U-10	25 mm	40 mm	TAK-19001-32399	75.33
MODEL TL130							
BUCKET (LH)	1900081400	21300004-	P-U-10	35 mm	65 mm	TAK-19000-81399	96.32
	1900081400	21300004-	Bushing	35 mm		TAK-13330-03525	11.55
	1900081400	21300004-	Wear Ring		65 mm	TAK-19000-64226	66.56
BUCKET (RH)	1900081300	21300004-	P-U-10	35 mm	65 mm	TAK-19000-81399	96.32
	1900081300	21300004-	Bushing	35 mm		TAK-13330-03525	11.55
	1900081300	21300004-	Wear Ring		65 mm	TAK-19000-64226	66.56
LIFT ARM	1900081800	21300004-	P-U-10	40 mm	65 mm	TAK-19000-81899	64.40
	1900081800	21300004-	Bushing	40 mm		TAK-13330-04030	15.81

Hercules Sealing Products and original equipment Takeuchi kits may not include the necessary wear rings for your cylinder rebuild. Kits with an -EX suffix will include these wear rings.

Please ask your sales representative for a cross-reference if no -EX kit or complementary parts are listed.

TAKEUCHI

Loaders - Track Skid Steer							
APPLICATION	CYL #	SERIAL #	CODE	ROD	BORE	KIT #	List \$
MODEL TL130							
LIFT ARM	1900081800	21300004-	Wear Ring		65 mm	TAK-19000-64226	66.56
MODEL TL140							
BUCKET (LH)	1900085800	21400011-	P-U-10	40 mm	70 mm	TAK-19000-77499	87.42
	1900085800	21400011-	Bushing	35 mm		TAK-13330-03525	11.55
	1900085800	21400011-	Wear Ring		65 mm	TAK-19000-64226	66.56
BUCKET (RH)	1900085700	21400011-	P-U-10	40 mm	70 mm	TAK-19000-77499	87.42
	1900085700	21400011-	Bushing	35 mm		TAK-13330-03525	11.55
	1900085700	21400011-	Wear Ring		65 mm	TAK-19000-64226	66.56
LIFT ARM	1900085600	21400011-	P-U-10	40 mm	70 mm	TAK-19000-85699	106.49
	1900085600	21400011-	Bushing	40 mm		TAK-13330-04030	15.81
	1900085600	21400011-	Wear Ring		65 mm	TAK-19000-64226	66.56
MODEL TL150							
BUCKET	1900079700	21500172-	Bushing	40 mm		TAK-13330-04030	15.81
	1900079700	21500172-	Wear Ring		75 mm	TAK-19000-50332	129.00
	1900080800	21500004-21500171	Bushing	40 mm		TAK-13330-04030	15.81
	1900080800	21500004-21500171	Wear Ring		75 mm	TAK-19000-50332	129.00
BUCKET (LH)	1900079800	21500172-	P-U-10	40 mm	75 mm	TAK-19000-79799	132.33
	1900080900	21500004-21500171	P-U-10	40 mm	75 mm	TAK-19000-80899	161.86
BUCKET (RH)	1900079700	21500172-	P-U-10	40 mm	75 mm	TAK-19000-79799	132.33
	1900080800	21500004-21500171	P-U-10	40 mm	75 mm	TAK-19000-80899	161.86
LIFT ARM	1900079600	21500004-21500171	P-U-10	45 mm	75 mm	TAK-19000-79699	194.36
	1900079600	21500004-21500171	Bushing	45 mm		TAK-13330-04530	18.54
	1900079600	21500004-21500171	Wear Ring		75 mm	TAK-19000-50332	129.00
	1900080700	21500172-	P-U-10	45 mm	75 mm	TAK-19000-79699	194.36
	1900080700	21500172-	Bushing	45 mm		TAK-13330-04530	18.54
	1900080700	21500172-	Wear Ring		75 mm	TAK-19000-50332	129.00
MODEL TL230							
ARM	19000-81800	223000001-UP	P-U-10	40 mm	65 mm	TAK-19000-81899	64.40
	19000-81800	223000001-UP	Bushing	40 mm		TAK-13330-04030	15.81
	19000-81800	223000001-UP	Wear Ring		65 mm	TAK-19000-64226	66.56
BUCKET LH	19000-81400	223000001-UP	P-U-10	35 mm	65 mm	TAK-19000-81399	96.32
	19000-81400	223000001-UP	Bushing	35 mm		TAK-13330-03525	11.55
BUCKET RH	19000-81300	223000001-UP	P-U-10	35 mm	65 mm	TAK-19000-81399	96.32
	19000-81300	223000001-UP	Bushing	35 mm		TAK-13330-03525	11.55
QUICK HITCH	19001-00700	223000001-UP	I-U-10	25 mm	40 mm	TAK-19001-00799	103.36
	19001-00700	223000001-UP	Bushing	25 mm		TAK-13330-02525	7.90
	19001-00700	223000001-UP	Wear Ring	40 mm		TAK-14108-10400	7.68
MODEL TL230-2							
ARM	19000-81800	223100001-UP	P-U-10	40 mm	65 mm	TAK-19000-81899	64.40
	19000-81800	223100001-UP	Bushing	40 mm		TAK-13330-04030	15.81
	19000-81800	223100001-UP	Wear Ring		65 mm	TAK-19000-64226	66.56
BUCKET LH	19000-81400	223100001-UP	P-U-10	35 mm	65 mm	TAK-19000-81399	96.32
	19000-81400	223100001-UP	Bushing	35 mm		TAK-13330-03525	11.55
BUCKET RH	19000-81300	223100001-UP	P-U-10	35 mm	65 mm	TAK-19000-81399	96.32
	19000-81300	223100001-UP	Bushing	35 mm		TAK-13330-03525	11.55
QUICK HITCH	19001-20500	223100001-UP	I-U-10	25 mm	40 mm	TAK-19001-00799	103.36
	19001-20500	223100001-UP	Bushing	25 mm		TAK-13330-02525	7.90
	19001-20500	223100001-UP	Wear Ring	40 mm		TAK-14108-10400	7.68
MODEL TL240							
BUCKET (LH)	1900085800	224000001-	P-U-10	40 mm	70 mm	TAK-19000-77499	87.42
	1900085800	224000001-	Bushing	40 mm		TAK-13330-04030	15.81
	1900085800	224000001-	Wear Ring		70 mm	TAK-19000-51131	99.56
BUCKET (RH)	1900085700	224000001-	P-U-10	40 mm	70 mm	TAK-19000-77499	87.42
	1900085700	224000001-	Bushing	40 mm		TAK-13330-04030	15.81

Hercules Sealing Products and original equipment Takeuchi kits may not include the necessary wear rings for your cylinder rebuild. Kits with an -EX suffix will include these wear rings.

Please ask your sales representative for a cross-reference if no -EX kit or complementary parts are listed.

TAKEUCHI

Loaders - Track Skid Steer

APPLICATION	CYL #	SERIAL #	CODE	ROD	BORE	KIT #	List \$
MODEL TL240							
BUCKET (RH)	1900085700	224000001-	Wear Ring		70 mm	TAK-19000-51131	99.56
LIFT ARM	1900085600	224000001-	P-U-10	40 mm	70 mm	TAK-19000-85699	106.49
	1900085600	224000001-	Bushing	40 mm		TAK-13330-04030	15.81
	1900085600	224000001-	Wear Ring		70 mm	TAK-19000-51131	99.56
QUICK HITCH	1900100700	224000001-	I-U-10	25 mm	40 mm	TAK-19001-00799	103.36
	1900100700	224000001-	Bushing	25 mm		TAK-13330-02525	7.90
	1900100700	224000001-	Wear Ring	40 mm		TAK-14108-10400	7.68
MODEL TL250							
BUCKET (LH)	1900079800	225000001-	P-U-10	40 mm	75 mm	TAK-19000-79799	132.33
	1900079800	225000001-	Bushing	40 mm		TAK-13330-04030	15.81
	1900079800	225000001-	Wear Ring		75 mm	TAK-19000-50332	129.00
BUCKET (RH)	1900079700	225000001-	P-U-10	40 mm	75 mm	TAK-19000-79799	132.33
	1900079700	225000001-	Bushing	40 mm		TAK-13330-04030	15.81
	1900079700	225000001-	Wear Ring		75 mm	TAK-19000-50332	129.00
LIFT ARM	1900080700	225000001-	P-U-10	45 mm	75 mm	TAK-19000-79699	194.36
	1900080700	225000001-	Bushing	45 mm		TAK-13330-04530	18.54
	1900080700	225000001-	Wear Ring		75 mm	TAK-19000-50332	129.00
QUICK HITCH	1900100700	225000001-	I-U-10	25 mm	40 mm	TAK-19001-00799	103.36
	1900100700	225000001-	Bushing	25 mm		TAK-13330-02525	7.90
	1900100700	225000001-	Wear Ring	40 mm		TAK-14108-10400	7.68

Hercules Sealing Products and original equipment Takeuchi kits may not include the necessary wear rings for your cylinder rebuild. Kits with an -EX suffix will include these wear rings.

Please ask your sales representative for a cross-reference if no -EX kit or complementary parts are listed.

REPLACEMENT KITS FOR TAKEUCHI EXCAVATORS

TAKEUCHI

Kit Number	Code (Pg. xiv)	Rod X Bore Size	List Price	Kit Number	Code (Pg. xiv)	Rod X Bore Size	List Price
TAK-03315-06199	P-08-1	35 mm Rod Kit	\$44.56	TAK-19000-55199	P-U-10	55 X 100 mm	\$180.81
TAK-03515-04299	P-08-1	40 mm Rod Kit	28.54	TAK-19000-56999	P-U-10	25 X 50 mm	118.27
TAK-03715-01599	P-08-1	45 mm Rod Kit	22.91	TAK-19000-57199	P-U-10	25 X 50 mm	104.68
TAK-03915-04199	P-08-1	50 mm Rod Kit	36.95	TAK-19000-58099	P-U-10	30 X 55 mm	126.08
TAK-19000-00199	P-U-5	45 X 80 mm	111.23	TAK-19000-58199	P-U-10	40 X 65 mm	137.71
TAK-19000-00399	P-U-5	35 X 60 mm	77.40	TAK-19000-60699	I-U-14	35 X 60 mm	160.19
TAK-19000-00599	P-U-5	40 X 70 mm	79.07	TAK-19000-61299	P-U-10	30 X 55 mm	119.74
TAK-19000-02400SK	I-U-10	1-1/2 X 2-1/4	80.42	TAK-19000-61599	P-U-10	30 X 50 mm	112.04
TAK-19000-02699	P-U-5	35 X 70 mm	97.25	TAK-19000-62099	P-U-10	40 X 65 mm	124.51
TAK-19000-02900SK	I-U-10	1-3/4 X 3	89.47	TAK-19000-62699	P-U-13	25 X 40 mm	128.71
TAK-19000-04599	P-U-5	45 X 80 mm	149.68	TAK-19000-63499	P-UB-10	65 X 95 mm	276.89
TAK-19000-04799	P-U-5	55 X 95 mm	136.22	TAK-19000-63599	P-UB-10	55 X 85 mm	194.83
TAK-19000-04899	P-U-5	50 X 90 mm	153.71	TAK-19000-63699	P-UB-10	75 X 120 mm	331.01
TAK-19000-04999	P-U-5	45 X 80 mm	128.38	TAK-19000-63799	P-UB-10	60 X 100 mm	234.10
TAK-19000-05099	P-U-5	45 X 80 mm	183.61	TAK-19000-63999	P-U-1	60 X 110 mm	145.41
TAK-19000-05199	P-U-5	40 X 70 mm	139.33	TAK-19000-65199	P-UB-10	55 X 80 mm	233.76
TAK-19000-09599	P-U-5	45 X 85 mm	134.09	TAK-19000-70399	P-U-10	35 X 63 mm	36.70
TAK-19000-09899	P-U-5	35 X 60 mm	109.22	TAK-19000-70499	P-U-10	30 X 55 mm	95.09
TAK-19000-09999	I,P-U-5	35 X 60 mm	122.86	TAK-19000-70599	P-U-10	35 X 60 mm	145.06
TAK-19000-10599	P-U-5	50 X 90 mm	123.72	TAK-19000-72299	P-U-10	30 X 50 mm	107.16
TAK-19000-11199	P-U-5	40 X 63 mm	141.49	TAK-19000-75599	P-U-10	45 X 80 mm	37.21
TAK-19000-11299	P-U-5	40 X 70 mm	141.61	TAK-19000-75699	I-U-14	55 X 110 mm	248.19
TAK-19000-11899	P-U-5	35 X 65 mm	139.16	TAK-19000-75799	I-UB-14	50 X 90 mm	242.04
TAK-19000-12199	P-U-5	50 X 85 mm	165.15	TAK-19000-76399	P-UB-10	65 X 95 mm	202.05
TAK-19000-12299	P-U-5	40 X 70 mm	96.79	TAK-19000-77199	I-U-14	60 X 110 mm	87.65
TAK-19000-13499	P-U-5	45 X 75 mm	235.95	TAK-19000-77299	P-U-10	45 X 85 mm	43.64
TAK-19000-16199	P-U-5	55 X 85 mm	195.21	TAK-19000-77399	P-U-10	45 X 80 mm	35.60
TAK-19000-16399	P-U-5	55 X 90 mm	205.59	TAK-19000-77499	P-U-10	40 X 70 mm	87.42
TAK-19000-16499	P-U-5	60 X 100 mm	234.08	TAK-19000-77999	P-U-10	40 X 70 mm	72.53
TAK-19000-19699	P-U-5	65 X 105 mm	252.53	TAK-19000-78299	P-U-10	45 X 85 mm	149.07
TAK-19000-24599	P-U-5	40 X 70 mm	153.84	TAK-19000-78999	P-UB-10	55 X 80 mm	201.31
TAK-19000-27399	P-U-5	53 X 100 mm	345.48	TAK-19000-79399	P-UB-10	75 X 120 mm	291.89
TAK-19000-30599	P-U-5	45 X 75 mm	165.34	TAK-19000-79499	P-UB-10	60 X 100 mm	210.15
TAK-19000-30699	P-U-5	45 X 75 mm	201.18	TAK-19000-80599	I-U-14	55 X 100 mm	75.89
TAK-19000-37799	I-U-5	40 X 60 mm	99.50	TAK-19000-80899	P-U-10	40 X 75 mm	161.86
TAK-19000-39199	P-U-5	50 X 80 mm	225.60	TAK-19000-81399	P-U-10	35 X 65 mm	96.32
TAK-19000-43899	P-U-14	40 X 75 mm	174.71	TAK-19000-81599	P-U-10	50 X 90 mm	149.97
TAK-19000-43999	I-U-14	40 X 70 mm	159.89	TAK-19000-81899	P-U-10	40 X 65 mm	64.40
TAK-19000-44099	I-U-14	35 X 60 mm	142.81	TAK-19000-83399	P-U-10	50 X 90 mm	45.20
TAK-19000-44299	I-U-14	45 X 85 mm	184.94	TAK-19000-85699	P-U-10	40 X 70 mm	106.49
TAK-19000-46199	I-U-14	40 X 75 mm	218.95	TAK-19000-86699	P-U-10	50 X 90 mm	88.40
TAK-19000-47195	P-U-10	50 X 90 mm	124.08	TAK-19000-86899	P-UB-10	70 X 120 mm	87.56
TAK-19000-47295	P-U-10	45 X 80 mm	114.99	TAK-19000-86999	P-UB-10	65 X 100 mm	51.74
TAK-19000-47695	P-U-10	55 X 100 mm	141.75	TAK-19000-87099	P-UB-10	55 X 90 mm	51.68
TAK-19000-51699	P-U-10	35 X 65mm	172.09	TAK-19000-87299	P-U-10	25 X 50 mm	39.97
TAK-19000-51899	P-U-10	35 X 63 mm	141.74	TAK-19000-87499	P-U-10	30 X 55 mm	46.57
TAK-19000-51999	P-U-10	30 X 55 mm	117.01	TAK-19000-87899	P-U-10	55 X 100 mm	103.36
TAK-19000-52099	P-U-10	40 X 70 mm	160.57	TAK-19000-87999	P-U-10	50 X 90 mm	88.51
TAK-19000-53399	P-U-10	35 X 60 mm	129.96	TAK-19000-89599	P-UB-10	70 X 100 mm	161.89
TAK-19000-53499	P-U-10	30 X 55 mm	140.85	TAK-19000-91199	P-UB-10	75 X 120 mm	81.89
TAK-19000-54199	P-U-10	45 X 80 mm	140.85	TAK-19000-91299	P-UB-10	60 X 100 mm	94.70
TAK-19000-54399	P-U-10	40 X 75 mm	132.33	TAK-19000-91499	P-U-10	45 X 80 mm	77.46
TAK-19000-54499	P-U-10	35 X 65 mm	84.68	TAK-19000-91599	P-U-10	40 X 70 mm	55.89
TAK-19000-54799	P-U-10	45 X 85 mm	130.96	TAK-19000-91699	P-U-10	45 X 80 mm	42.98
TAK-19000-54999	P-U-10	45 X 80 mm	120.17	TAK-19000-91799	P-U-10	55 X 100 mm	78.18
TAK-19000-55099	P-U-10	40 X 70 mm	60.25	TAK-19000-92299	P-U-10	60 X 110 mm	80.46

FORMERLY LISTED REPAIR PARTS ARE AVAILABLE ONLINE AT WWW.HERCULESUS.COM
OR BY CONTACTING YOUR REGIONAL HERCULES SALES TEAM.

REPLACEMENT KITS FOR TAKEUCHI EXCAVATORS

TAKEUCHI

Kit Number	Code (Pg. xiv)	Rod X Bore Size	List Price
TAK-19000-92399	P-U-10	55 X 100 mm	\$70.67
TAK-19000-93499	P-U-10	40 X 70 mm	168.24
TAK-19001-00099	P-UB-10	55 X 80 mm	107.20
TAK-19001-00299	P-UB-10	65 X 95 mm	147.24
TAK-19001-00399	P-UB-10	55 X 85 mm	91.93
TAK-19001-00499	P-U-10	50 X 90 mm	88.40
TAK-19001-00799	I-U-10	25 X 40 mm	103.36
TAK-19001-01799	P-U-10	45 x 80 mm	126.00
TAK-19001-02399	P-U-10	30 X 50 mm	125.00
TAK-19001-02799	P-U-10	55 x 100 mm	148.42
TAK-19001-03599	P-U-10	45 x 80 mm	158.29
TAK-19001-04999	P-U-10	45 x 75 mm	116.69
TAK-19001-05299	P-U-10	35 X 60 mm	123.56
TAK-19001-05599	I-U-14	40 X 75 mm	173.08
TAK-19001-05799	P-U-10	50 x 90 mm	145.05
TAK-19001-06699	P-U-10	40 X 75 mm	135.52
TAK-19001-07699	I-U-14	45 x 80 mm	173.09
TAK-19001-09699	P-UB-10	60 x 90 mm	152.04
TAK-19001-09699-EX	P-UB-10	60 x 90 mm	160.19
TAK-19001-09799	P-UB-10	70 x 100 mm	101.07
TAK-19001-09799-EX	P-UB-10	70 x 100 mm	165.91
TAK-19001-09899	P-UB-10	60 x 85 mm	107.57
TAK-19001-09899-EX	P-UB-10	60 x 85 mm	113.74
TAK-19001-10099	P-UB-10	75 x 120 mm	130.87
TAK-19001-10099-EX	P-UB-10	75 x 120 mm	143.69
TAK-19001-10299	P-N-4	60 x 110 mm	42.88
TAK-19001-10299-EX	P-N-4	60 x 110 mm	54.04
TAK-19001-10699	P-UB-10	85 x 130 mm	192.19
TAK-19001-10699-EX	P-UB-10	85 x 130 mm	207.80
TAK-19001-10799	P-UB-10	70 x 105 mm	116.03
TAK-19001-10799-EX	P-UB-10	70 x 105 mm	136.62
TAK-19001-10899	P-UB-10	75 x 130 mm	237.79
TAK-19001-10899-EX	P-UB-10	75 x 130 mm	245.60
TAK-19001-10999	P-UB-10	45 x 75 mm	85.62
TAK-19001-10999-EX	P-UB-10	45 x 75 mm	89.35
TAK-19001-11199	P-UB-10	65 x 125 mm	89.04
TAK-19001-11199-EX	P-UB-10	65 x 125 mm	97.82
TAK-19001-11599	P-UB-10	75 x 120 mm	118.00
TAK-19001-11599-EX	P-UB-10	75 x 120 mm	130.82
TAK-19001-11699	P-UB-10	65 x 100 mm	115.79
TAK-19001-11699-EX	P-UB-10	65 x 100 mm	180.63
TAK-19001-11799	P-UB-10	55 x 90 mm	121.38
TAK-19001-11799-EX	P-UB-10	55 x 90 mm	129.92
TAK-19001-12599	P-UB-10	60 x 90 mm	146.47
TAK-19001-12599-EX	P-UB-10	60 x 90 mm	154.63
TAK-19001-12899	P-U-10	60 x 100 mm	138.32
TAK-19001-12999	P-U-10	55 x 90 mm	160.43
TAK-19001-13099	P-U-10	50 x 80 mm	124.03
TAK-19001-13199	P-U-10	50 x 90 mm	153.79
TAK-19001-13299	P-U-10	60 x 110 mm	153.97
TAK-19001-13799	P-U-10	30 X 50 mm	132.98
TAK-19001-14199	P-U-10	40 X 70 mm	137.89
TAK-19001-14799	P-UB-10	60 x 85 mm	114.43
TAK-19001-14799-EX	P-UB-10	60 x 85 mm	120.61
TAK-19001-15699	P-UB-10	60 x 85 mm	123.13

Kit Number	Code (Pg. xiv)	Rod X Bore Size	List Price
TAK-19001-15699-EX	P-UB-10	60 x 85 mm	\$129.29
TAK-19001-15999	P-U-10	35 X 60 mm	141.38
TAK-19001-17999	P-U-10	40 X 75 mm	135.52
TAK-19001-18199	P-U-10	50 x 85 mm	172.77
TAK-19001-18399	P-U-10	55 x 105 mm	166.54
TAK-19001-18499	P-U-10	35 x 60 mm	112.17
TAK-19001-18999	P-U-10	45 X 85 mm	215.14
TAK-19001-20299	P-U-10	70 x 115 mm	242.50
TAK-19001-20599	I-U-10	25 X 40 mm	54.08
TAK-19001-20699	P-U-10	45 x 75 mm	190.62
TAK-19001-20799	P-U-10	40 x 70 mm	172.22
TAK-19001-20999	P-U-10	55 x 95 mm	233.43
TAK-19001-26299	P-U-10	45 x 80 mm	159.56
TAK-19001-26999	P-U-10	40 x 65 mm	136.93
TAK-19001-31999	P-U-10	40 x 65 mm	130.33
TAK-19001-32099	P-U-10	35 x 65 mm	134.15
TAK-19001-32399	I-U-10	25 x 40 mm	75.33
TAK-19017-07699	I-U-14	45 x 80 mm	173.09
TAK-19017-30599	O-RING KIT		1.82
TAK-19029-03199	O-RING KIT		4.37

REPLACEMENT PARTS FOR TAKEUCHI EQUIPMENT

Repair parts for Takeuchi are available online at www.HerculesUS.com or by contacting the Hercules Sales Team at the information provided below.

Scan the QR code for quick access.



REPLACEMENT KITS FOR TCM

TCM

Replacement Kits For

Loaders - Wheel						
APPLICATION	CODE	ROD	BORE	Bearings Needed	KIT #	List \$
MODEL 720, 860						
BOOM	P-UB-10	75 mm	140 mm	MDU-75X80X30	TCM-26508-47011	453.96
BUCKET	P-UB-10	95 mm	190 mm	MDU-95X100X30	TCM-26608-57011	618.54
STEERING	P-UB-10	40 mm	80 mm		TCM-26604-57001	245.34
MODEL 870						
BUCKET	P-UB-10	95 mm	170 mm		TCM-26708-47001	859.50

REPLACEMENT KITS FOR TCM CONSTRUCTION EQUIPMENT

Kit Number	Code (Pg. xiv)	Rod X Bore Size	List Price
TCM-234A8-59801	P-U-10	30 X 70 mm	\$136.78
TCM-25784-59803	P-U-10	30 X 70 mm	67.99
TCM-23918-59823	P-U-5	40 X 100 mm	265.77
TCM-26604-57001	P-UB-10	40 X 80 mm	245.34
TCM-24328-59815	P-U-5	50 X 100 mm	296.19

Kit Number	Code (Pg. xiv)	Rod X Bore Size	List Price
TCM-24358-59803	P-U-5	50 X 100 mm	\$296.81
TCM-26438-57001	P-UB-10	70 X 130 mm	510.98
TCM-26508-47011	P-UB-10	75 X 140 mm	453.96
TCM-26708-47001	P-UB-10	95 X 170 mm	859.50
TCM-26608-57011	P-UB-10	95 X 190 mm	618.54

REPLACEMENT KITS FOR TCM LIFT TRUCKS

TCM

Kit Number	Code (Pg. xiv)	Rod X Bore Size	List Price
TCM-25594-59802	P-U-10	22 X 50 mm	\$104.13
TCM-214A4-59801	P-U-10	25 X 50 mm	89.18
TCM-20804-59801	P-U-10	25 X 60 mm	94.32
TCM-23654-52201	I-U-10	25 X 60 mm	75.53
TCM-25954-59802	P-U-10	25 X 60 mm	75.13
TCM-24248-59802	P-U-5	30 X 63 mm	240.35
TCM-24248-59807	P-U-5	30 X 63 mm	165.60
TCM-277H8-59802	P-U-5	30 X 63 mm	165.91
TCM-234A8-59805	P-U-5	30 X 71 mm	181.90
TCM-27390-59902	P-U-1	32 mm Rod Kit	175.50
TCM-510F0-59801	P-U-1	32 X 45 mm	150.24
TCM-23658-59811	P-U-5	32 X 70 mm	186.20
TCM-23658-59813	P-U-5	32 X 70 mm	186.20
TCM-214A8-59801	P-U-5	32 X 71 mm	250.03
TCM-23678-59801	P-U-5	32 X 71 mm	169.30
TCM-24458-59812	P-U-10	32 X 71 mm	264.31
TCM-22678-59801	P-U-5	32 X 80 mm	143.71
TCM-210F0-89804	P-U-4	35 X 45 mm	173.00
TCM-214A0-59821	P-U-1	35 X 45 mm	105.92
TCM-23650-59801	P-U-1	35 X 45 mm	125.56
TCM-23650-59802	P-U-1	35 X 45 mm	97.77
TCM-24239-49804	P-U-1	35 X 45 mm	129.66
TCM-210F8-49804	P-U-4	35 X 46 mm	120.16
TCM-24239-49801	P-N-4	38 X 45 mm	131.83
TCM-23650-89841	P-U-1	40 mm	83.00
TCM-214A0-89804	P-U-4	40 X 50 mm	121.07
TCM-214A8-49804	P-U-4	40 X 50 mm	140.28
TCM-214A8-49812	P-U-4	40 X 50 mm	146.89
TCM-214J0-59812	P-U-1	40 X 50 mm	141.88
TCM-234A8-49803	P-U-4	40 X 50 mm	101.67
TCM-23650-89802	P-U-1	40 X 50 mm	121.53
TCM-23650-89803	P-N-4	40 X 50 mm	104.35
TCM-510F2-40601	P-U-10	40 X 70 mm	389.99
TCM-22438-59804	P-U-5	40 X 90 mm	273.27

Kit Number	Code (Pg. xiv)	Rod X Bore Size	List Price
TCM-214J8-49804	P-U-4	45 X 55 mm	\$141.58
TCM-234F8-49801	P-U-4	45 X 55 mm	109.14
TCM-24450-89823	P-N-4	45 X 55 mm	123.81
TCM-24469-49803	P-U-4	45 X 55 mm	85.52
TCM-22578-49801	P-N-4	45 X 63 mm	170.90
TCM-22580-89801	P-N-4	45 X 70 mm	121.07
TCM-24328-59804	P-U-5	50 X 100 mm	274.15
TCM-214T0-89811	P-U-4	50 X 60 mm	184.40
TCM-214T8-49801	P-U-4	50 X 60 mm	176.66
TCM-24600-89902	P-U-1	50 X 60 mm	243.02
TCM-224T8-49803	P-U-1	50 X 65 mm	151.07
TCM-27248-49801	P-N-4	50 X 80 mm	151.95
TCM-514A2-40552	P-U-10	50 X 80 mm	408.41
TCM-514A2-40554	P-U-10	50 X 80 mm	321.05
TCM-23460-89801	P-N-4	50 X 90 mm	135.83
TCM-24608-59803	P-U-10	50 X 90 mm	242.22
TCM-22438-49811	P-N-4	60 X 90 mm	168.47
TCM-22438-49812	P-N-4	60 X 90 mm	81.35
TCM-24240-89801	P-U-1	70 X 80 mm	109.45
TCM-27390-59801	P-U-10	70 X 80 mm	218.33
TCM-27410-89811	P-U-1	75 mm	101.37
TCM-214A0-59801	P-U-10	75 X 90 mm	201.22
TCM-23650-89822	P-U-1	75 X 90 mm	189.29
TCM-24450-89803	P-U-1	85 mm	123.26
TCM-27830-89802	P-U-10	85 X 100 mm	267.58
TCM-228C0-59801	P-U-I	112 X 130 mm	582.84
TCM-26094-17161	VALVE KIT		15.95
TCM-514A2-42631	VALVE KIT		16.28
TCM-52486-09811	VALVE KIT		38.08

PISTON SEALS FOR TCM EQUIPMENT

Part Number	Bore Diam.	List Price
TCM-24458-50311	71 mm	\$38.01

TEREX

Replacement Kits For

Backhoe Loaders						
APPLICATION	CYL #	CODE	ROD	BORE	KIT #	List \$
MODEL TX760B						
SWING		P-UB-10	45 mm	90 mm	TX-3623368M91	279.76
Excavators						
APPLICATION	CYL #	CODE	ROD	BORE	KIT #	List \$
MODEL RH90-C						
BH BUCKET	2160727	I-U-10	160 mm	220 mm	TX-2160727K	2951.98
BH STICK	2160796	I-UB-10	180 mm	250 mm	TX-2160796K	3825.49
FS BUCKET	2244809	I-UB-10	140 mm	180 mm	TX-2244809K	2081.79
FS CLAM	4525818	I-UB-10	80 mm	150 mm	TX-4525818	1425.30
FS STICK	2160739	I-UB-10	150 mm	200 mm	TX-2160739K	2566.18
MODEL RH120-E						
BH BOOM	2766930	I-UB-10	200 mm	300 mm	TX-2766975	9407.39
BH BUCKET	3677250	I-UB-10	160 mm	220 mm	TX-2766978	7654.23
BH STICK	3650864	I-UB-10	200 mm	280 mm	TX-2766982	8910.93
Off-Highway Trucks						
APPLICATION	CYL #	CODE	ROD	BORE	KIT #	List \$
MODEL 3305AA						
BODY	9019954	I-U-12	5-1/4,6-3/4	6,7-1/2	TX-15050416	349.17
MODEL 3305B						
BODY	15232133	I-U-12	5-1/4,6-3/4	6,7-1/2	TX-15050416	349.17
	9019954	I-U-12	5-1/4,6-3/4	6,7-1/2	TX-15050416	349.17
MODEL 3307						
BODY	15232133	I-U-12	5-1/4,6-3/4	6,7-1/2	TX-15050416	349.17
	9019954	I-U-12	5-1/4,6-3/4	6,7-1/2	TX-15050416	349.17
MODEL 3307D						
BODY	9019954	I-U-12	5-1/4,6-3/4	6,7-1/2	TX-15050416	349.17
MODEL 3308E						
BODY	15232133	I-U-12	5-1/4,6-3/4	6,7-1/2	TX-15050416	349.17
MODEL 3407						
BODY	9019954	I-U-12	5-1/4,6-3/4	6,7-1/2	TX-15050416	349.17
MODEL TR100						
FRONT RIDE	15250974	I-U-1	9		TX-9396484	2977.58
HOIST	15227019	I-U-12	5-1/2, 8-1/4	7-1/2, 9	TX-15265278	689.40
REAR RIDE	9079698	I-SP-1	10-1/2		TX-15050414	182.82
STEERING	15307881	P-U-10	50 mm	110 mm	TX-15274213	98.05
	15307881	P-U-10	50 mm	110 mm	TX-15274213	98.05
	15318033	P-U-10	50 mm	110 mm	TX-15500961	147.64
Scrapers						
APPLICATION	CYL #	CODE	ROD	BORE	KIT #	List \$
MODEL S23E						
STEERING	9066953	P-V-12	2-1/2	5-1/2	TX-15050390	214.71
	9066954	P-V-12	2-1/2	5-1/2	TX-15050390	214.71
MODEL S24						
APRON / EJECTOR	9217579	P-V-1	7-15/16	9-1/8	TX-15050409	578.28
BOWL	9217584	P-V-1	7-15/16	9-1/8	TX-15050409	578.28
STEERING	9062928	P-V-12	3	7	TX-15050396	254.96
MODEL S24B						
APRON	15014766	I-V-12	2-1/2	6-1/4	TX-15050394	155.96
	15016260	I-V-12	2-1/2	6-1/4	TX-15050394	155.96
BOWL	9272694	P-U-10	3-1/2	8	TX-15050399	323.53
EJECTOR	15015718	I-SP-12	4-1/2,6,7-1/2	5-1/4,6-3/4,8-1/2	TX-15050415	1004.09
RIDE	9062425	I,P-U-12	7	8	TX-15050406	638.23
STEERING	15005121	P-V-12	3	7	TX-15050396	254.96
	15009641	P-V-12	3	7	TX-15050396	254.96
MODEL S24C						
APRON	15014766	I-V-12	2-1/2	6-1/4	TX-15050394	155.96
	15016260	I-V-12	2-1/2	6-1/4	TX-15050394	155.96

FORMERLY LISTED REPAIR PARTS ARE AVAILABLE ONLINE AT WWW.HERCULESUS.COM
OR BY CONTACTING YOUR REGIONAL HERCULES SALES TEAM.

TEREX

Replacement Kits For

Scrapers							
APPLICATION		CYL #	CODE	ROD	BORE	KIT #	List \$
MODEL	S24C						
BOWL		9272694	P-U-10	3-1/2	8	TX-15050399	323.53
EJECTOR		15015718	I-SP-12	4-1/2,6,7-1/2	5-1/4,6-3/4,8-1/2	TX-15050415	1004.09
STEERING		15005121	P-V-12	3	7	TX-15050396	254.96
		15009641	P-V-12	3	7	TX-15050396	254.96
MODEL	TS14						
APRON / EJECTOR		9217579	P-V-1	7-15/16	9-1/8	TX-15050409	578.28
BOWL		9005146	P-V-1	7-15/16	9-1/8	TX-15050409	578.28
		9217584	P-V-1	7-15/16	9-1/8	TX-15050409	578.28
MODEL	TS14B						
APRON / EJECTOR		9217579	P-V-1	7-15/16	9-1/8	TX-15050409	578.28
BOWL		9005146	P-V-1	7-15/16	9-1/8	TX-15050409	578.28
STEERING		9066951	P-V-12	2-1/2	5-1/2	TX-15050390	214.71
		9066952	P-V-12	2-1/2	5-1/2	TX-15050390	214.71
		9382500	P-U-12	2-1/2	5-1/2	TX-9397201	562.51
		9382501	P-U-12	2-1/2	5-1/2	TX-9397201	562.51
MODEL	TS14C						
APRON / EJECTOR		9217579	P-V-1	7-15/16	9-1/8	TX-15050409	578.28
BOWL		15007421	P-U-10	3-1/2	8	TX-15050399	323.53
STEERING		9382500	P-U-12	2-1/2	5-1/2	TX-9397201	562.51
		9382501	P-U-12	2-1/2	5-1/2	TX-9397201	562.51
MODEL	TS18A						
APRON		9217579	P-V-1	7-15/16	9-1/8	TX-15050409	578.28
MODEL	TS24						
APRON / EJECTOR		9217579	P-V-1	7-15/16	9-1/8	TX-15050409	578.28
BOWL		9217584	P-V-1	7-15/16	9-1/8	TX-15050409	578.28
STEERING		15009641	P-V-12	3	7	TX-15050396	254.96
		9062928	P-V-12	3	7	TX-15050396	254.96
MODEL	TS24A						
APRON		15014766	I-V-12	2-1/2	6-1/4	TX-15050394	155.96
		15016260	I-V-12	2-1/2	6-1/4	TX-15050394	155.96
		15016261	I-V-12	2-1/2	6-1/4	TX-15050394	155.96
STEERING		15005121	P-V-12	3	7	TX-15050396	254.96
		15009641	P-V-12	3	7	TX-15050396	254.96
		9062928	P-V-12	3	7	TX-15050396	254.96
MODEL	TS24B						
APRON		15014766	I-V-12	2-1/2	6-1/4	TX-15050394	155.96
		15016260	I-V-12	2-1/2	6-1/4	TX-15050394	155.96
BOWL		9272694	P-U-10	3-1/2	8	TX-15050399	323.53
EJECTOR		15015718	I-SP-12	4-1/2,6,7-1/2	5-1/4,6-3/4,8-1/2	TX-15050415	1004.09
RIDE		9062425	I,P-U-12	7	8	TX-15050406	638.23
STEERING		15005121	P-V-12	3	7	TX-15050396	254.96
		15009641	P-V-12	3	7	TX-15050396	254.96
		9062928	P-V-12	3	7	TX-15050396	254.96
MODEL	TS24C						
APRON		15014766	I-V-12	2-1/2	6-1/4	TX-15050394	155.96
		15016260	I-V-12	2-1/2	6-1/4	TX-15050394	155.96
BOWL		9272694	P-U-10	3-1/2	8	TX-15050399	323.53
EJECTOR		15015718	I-SP-12	4-1/2,6,7-1/2	5-1/4,6-3/4,8-1/2	TX-15050415	1004.09
STEERING		15005121	P-V-12	3	7	TX-15050396	254.96
		15009641	P-V-12	3	7	TX-15050396	254.96

TEREX

REPLACEMENT KITS FOR TEREX EQUIPMENT

Kit Number	Code (Pg. xiv)	Rod X Bore Size	List Price
TX-085004401M91	P-UB-10	65 X 100 mm	\$273.17
TX-15050390	P-V-12	2-1/2 X 5-1/2	214.71
TX-15050394	I-V-12	2-1/2 X 6-1/4	155.96
TX-15050396	P-V-12	3 X 7	254.96
TX-15050399	P-U-10	3-1/2 X 8	323.53
TX-15050406	I,P-U-12	7 X 8	638.23
TX-15050409	P-V-1	7.925 Rod Kit	578.28
TX-15050414	I-SP-1	10-1/2	182.82
TX-15050415	I-SP-12	4-1/2, 6, 7-1/2 Stages	1004.09
TX-15050416	I-U-12	5-1/4, 6-3/4 Stages	349.17
TX-15265278	I-U-12	5-1/2, 8-1/4	689.40
TX-3623368M91	P-UB-10	45 X 90 mm	279.76
TX-15274213	P-U-10	50 X 110 mm	98.05
TX-15500915	P-U-10	63 X 110 mm	93.15
TX-15500926	P-U-10	80 X 125 mm	134.17
TX-15500961	P-U-10	50 X 110 mm	147.64
TX-15921417	Valve Kit		25.35
TX-181976999248	I-U-10,12	50 X 70 mm	256.48
TX-2160727K	I-U-10	160 X 220 mm	2951.98
TX-2160739K	I-UB-10	150 X 200 mm	2566.18

Kit Number	Code (Pg. xiv)	Rod X Bore Size	List Price
TX-2160796K	I-UB-10	180 X 250 mm	\$3825.49
TX-2244809K	I-UB-10	140 X 180 mm	2081.79
TX-226761	I-UB-14	8 X 10	751.12
TX-228793	I,P-UB-5	40 X 75 mm	683.78
TX-26890165	I-U-10	1-3/4 X 2-1/2	61.11
TX-2766975	I-UB-10	200 X 300 mm	9407.39
TX-2766978	I-UB-10	160 X 220 mm	7654.23
TX-2766982	I-UB-10	200 X 280 mm	8910.93
TX-3307F	I-U-1	7" Rod Front Suspension	218.52
TX-3307R	I-U-1	8-1/4" Rod Rear Suspension	225.03
TX-3307SC	I-U-12	1-3/4 X 3-1/4	72.75
TX-3311HC	I-U-12	6-3/4 X 8-1/4	440.72
TX-4525776	I-UB-10	100 X 190 mm	2907.10
TX-4525818	I-UB-10	80 X 150 mm	1425.30
TX-607325	P-V-12	3 X 7	230.09
TX-9396483	I-U-1	10-1/2	1313.53
TX-9396484	I-U-1	9	2977.58
TX-9397201	P-U-12	2-1/2 X 5-1/2	562.51
TX-TS24EJ	I-V-1	4, 5-3/4, 7-1/2 Tele	569.27

REPLACEMENT PARTS FOR TEREX EQUIPMENT

Repair parts for Terex are available online at www.HerculesUS.com or by contacting the Hercules Sales Team at the information provided below.
Scan the QR code for quick access.



Replacement Kits For

TIMBERJACK

Forestry - Log Loaders

APPLICATION	CYL #	SERIAL #	CODE	ROD	BORE	KIT #	List \$
MODEL 330							
JIB BOOM			I-U-10	3	7	TBJ-842937500	100.65
MAIN BOOM			I-U-10	3	6	TBJ-842936800	127.92
STABILIZER			I-U-10	3	6	TBJ-842936800	127.92
MODEL 430							
JIB BOOM			I-U-10	3-1/2	7	TBJ-842938200	145.66
MAIN BOOM			I-U-10	3	6	TBJ-842936800	127.92
STABILIZER			I-U-10	3	6	TBJ-842936800	127.92
Skidders							
APPLICATION	CYL #	SERIAL #	CODE	ROD	BORE	KIT #	List \$
MODEL 240							
DOZER	8256787		I-U-10	1-3/4	4	TBJ-231384700	83.36
STEERING	2313806		I-U-10	2	4-1/2	TBJ-231383200	168.86
	2313816		I-U-10	1-3/4	4	TBJ-231384700	83.36
MODEL 240A							
ARCH-SINGLE	8259164		I-U-10	1-3/4	4	TBJ-231384700	83.36
	8268592		P-U-10	1-3/4	4	TBJ-845167600	132.85
DOZER	8260240		I-U-10	1-3/4	4	TBJ-231384700	83.36
GRAPPLE	8424465		I-U-5	2-1/2	4	TBJ-8429306	109.55
	8427905		I-U-5	2	4	TBJ-843010000	89.98
STEERING	2313806		I-U-10	2	4-1/2	TBJ-231383200	168.86
	8268602		P-U-10	2	4-1/2	TBJ-845167700	173.31
MODEL 240B							
ARCH-SINGLE	8268592		P-U-10	1-3/4	4	TBJ-845167600	132.85
DOZER	8268597		P-U-10	1-3/4	4	TBJ-845167600	132.85
GRAPPLE	8419398		I-U-5	2-1/2	4	TBJ-842249600	160.74
	8424465		I-U-5	2-1/2	4	TBJ-8429306	109.55
	8427905		I-U-5	2	4	TBJ-843010000	89.98
	F431703		P-UB-10	2	4	TBJ-F434195	190.83
	F431737		P-UB-10	2-1/2	4	TBJ-F434787	211.56
STEERING	8268602		P-U-10	2	4-1/2	TBJ-845167700	173.31
MODEL 360							
ARCH	F120710		N-N-14		100 mm	TBJ-842884100	126.43
	F120710		I-UB-1	50 mm		TBJ-F432351	77.30
CAB TILT	8119718		I-U-10	25 mm	2	TBJ-8431265	53.45
DOZER	F120975		N-N-14		90 mm	TBJ-F434056	103.83
	F120975		P-UB-1	45 mm		TBJ-F433400	108.27
GRAPPLE	F431737		P-UB-10	2-1/2	4	TBJ-F434787	211.56
	F431738		P-UB-10	2-1/2	4-1/2	TBJ-F434785	228.72
	F434169		P-UB-10	2	4	TBJ-F434195	190.83
	F434381		P-UB-10	2	4	TBJ-F434195	190.83
STEERING	F120975		N-N-14		90 mm	TBJ-F434056	103.83
	F120975		P-UB-1	45 mm		TBJ-F433400	108.27
MODEL 380, 380A, 380B							
ARCH	2315925		I-U-10	1-3/4	3-1/2	TBJ-845089800	148.94
ARCH LH	8216620		I-U-5	1-3/4	4-1/2	TBJ-8450282	152.67
ARCH RH	8216621		I-U-5	1-3/4	4-1/2	TBJ-8450282	152.67
ARCH-DUAL	2315925		I-U-10	1-3/4	3-1/2	TBJ-845089800	148.94
ARCH-SINGLE	8256796		I-U-10	1-3/4	4	TBJ-845109500	156.10
BOOM	2315925		I-U-10	1-3/4	3-1/2	TBJ-845089800	148.94
DOZER	8256792		I-U-10	1-3/4	3-1/2	TBJ-231385100	139.69
GRAPPLE	8245558		I-U-10	2-1/2	5-1/2	TBJ-845089900	199.59
	8414685		I-U-10	2-1/2	5	TBJ-841468700	70.01
	8417513		I-U-10	2-1/2	5	TBJ-8417516	134.57
	8417552		I-U-5	2-1/2	4	TBJ-842249600	160.74
	8419223		I-U-10	3-1/2	6-1/2	TBJ-841923200	111.19

TIMBERJACK

Replacement Kits For

TIMBERJACK

Skidders

APPLICATION	CYL #	SERIAL #	CODE	ROD	BORE	KIT #	List \$
MODEL 380, 380A, 380B							
GRAPPLE	8419398		I-U-5	2-1/2	4	TBJ-842249600	160.74
	8419411		I-U-10	2-1/2	5	TBJ-8417516	134.57
	8424465		I-U-5	2-1/2	4	TBJ-8429306	109.55
STEERING	8256798		I-U-10	1-3/4	3-1/2	TBJ-231385100	139.69
UNSPECIFIED APPLICATION	2313814		I-U-10	1-3/4	3-1/2	TBJ-231385100	139.69
MODEL 380, 450C							
ARCH-DUAL	8268601		P-U-10	1-3/4	3-1/2	TBJ-845167400	135.62
ARCH-SINGLE	8268593		P-U-10	1-3/4	4	TBJ-845167600	132.85
BOOM	8268601		P-U-10	1-3/4	3-1/2	TBJ-845167400	135.62
DOZER	8268596		P-U-10	1-3/4	4	TBJ-845167600	132.85
	8268600		P-U-10	1-3/4	3-1/2	TBJ-845167400	135.62
GRAPPLE	8419411		I-U-10	2-1/2	5	TBJ-843009800	135.86
	8424465	10650-14999	I-U-5	2-1/2	4	TBJ-842249600	160.74
	8424465		I-U-5	2-1/2	4	TBJ-8429306	109.55
	8425715		I-U-5	2-1/2	4-1/2	TBJ-843011300	102.57
	8427905		I-U-5	2	4	TBJ-843010000	89.98
	8428962		I-U-10	2-1/2	5-1/2	TBJ-843009900	199.59
	F431703		P-UB-10	2	4	TBJ-F434195	190.83
	F431737		P-U-10	2-1/2	4	TBJ-843113700	173.31
	F431738		P-UB-10	2-1/2	4-1/2	TBJ-F434785	228.72
GRAPPLE T.J. 105"	8247956		I-U-10	2-1/2	5-1/2	TBJ-845089900	199.59
STEERING	8268599		P-U-10	1-3/4	3-1/2	TBJ-845167400	135.62
MODEL 450							
ARCH	2315925		I-U-10	1-3/4	3-1/2	TBJ-845089800	148.94
	8244039		I-U-10	1-3/4	4	TBJ-845109500	156.10
	8256796		I-U-10	1-3/4	4	TBJ-845109500	156.10
ARCH-DUAL	2315925		I-U-10	1-3/4	3-1/2	TBJ-845089800	148.94
ARCH-SINGLE	8256796		I-U-10	1-3/4	4	TBJ-845109500	156.10
BOOM	2315925		I-U-10	1-3/4	3-1/2	TBJ-845089800	148.94
	8244039		I-U-10	1-3/4	4	TBJ-845109500	156.10
	8256796		I-U-10	1-3/4	4	TBJ-845109500	156.10
DOZER	8256792		I-U-10	1-3/4	3-1/2	TBJ-231385100	139.69
GRAPPLE	8247955		I-U-10	1-3/4	4	TBJ-845109500	156.10
	8414685		I-U-10	2-1/2	5	TBJ-841468700	70.01
	8417513		I-U-10	2-1/2	5	TBJ-8417516	134.57
	8417552		I-U-5	2-1/2	4	TBJ-842249600	160.74
	8419223		I-U-10	3-1/2	6-1/2	TBJ-841923200	111.19
	8419224		I-U-10	3-1/2	6-1/2	TBJ-841923200	111.19
	8419398		I-U-5	2-1/2	4	TBJ-842249600	160.74
	8419411		I-U-10	2-1/2	5	TBJ-8417516	134.57
	8424465		I-U-5	2-1/2	4	TBJ-842249600	160.74
GRAPPLE T.J. 105"	8247956		I-U-10	2-1/2	5-1/2	TBJ-845089900	199.59
STEERING	8256798		I-U-10	1-3/4	3-1/2	TBJ-231385100	139.69
UNSPECIFIED APPLICATION	2313814		I-U-10	1-3/4	3-1/2	TBJ-231385100	139.69
MODEL 460							
ARCH-DUAL	F120977		N-N-14		90 mm	TBJ-F434056	103.83
	F120977		P-UB-1	45 mm		TBJ-F433400	108.27
ARCH-SINGLE	F120710		N-N-14		100 mm	TBJ-842884100	126.43
	F120710		I-UB-1	50 mm		TBJ-F432351	77.30
BOOM	F122026		I-UB-1	50 mm		TBJ-F432351	77.30
	F122026		N-N-14		90 mm	TBJ-F434056	103.83
CAB TILT	8119718		I-U-10	25 mm	2	TBJ-8431265	53.45
	8119718		N-O-1			TBJ-F033365	7.40
DOZER	F120709		N-N-14		100 mm	TBJ-842884100	126.43
	F120709		I-UB-1	50 mm		TBJ-F432351	77.30

TIMBERJACK

Replacement Kits For

TIMBERJACK

Skidders

APPLICATION	CYL #	SERIAL #	CODE	ROD	BORE	KIT #	List \$
MODEL 460							
GRAPPLE	F431737		P-UB-10	2-1/2	4	TBJ-F434787	211.56
	F431738		P-UB-10	2-1/2	4-1/2	TBJ-F434785	228.72
	F433137		P-UB-10	2-1/2	5-1/2	TBJ-F433145	268.09
	F433146		P-UB-10	2-1/2	5-1/2	TBJ-F433145	268.09
	F434169		P-UB-10	2	4	TBJ-F434195	190.83
	F434381		P-UB-10	2	4	TBJ-F434195	190.83
STEERING	F120975		P-UB-1	45 mm		TBJ-F433400	108.27
	F120975		N-N-14		90 mm	TBJ-F434056	103.83
UNSPECIFIED APPLICATION	F122183		N-N-14		125 mm	TBJ-F434140	256.22
	F122183		P-UB-10	63 mm		TBJ-F433415	91.26

TIMBERJACK - TOWMOTOR

REPLACEMENT KITS FOR TIMBERJACK EQUIPMENT

Kit Number	Code (Pg. xiv)	Rod X Bore Size	List Price
TBJ-F033365	N-O-1	-	\$7.40
TBJ-450999	I-U-8	1 X 3-1/2	64.03
TBJ-8450706	I-U-4	1 X 3-1/2	36.88
TBJ-41478200	I-U-5	1-1/2 X 3-1/2	46.03
TBJ-231385100	I-U-10	1-3/4 X 3-1/2	139.69
TBJ-8450710	I-U-5	1-3/4 X 3-1/2	86.92
TBJ-845089800	I-U-10	1-3/4 X 3-1/2	148.94
TBJ-845167400	P-U-10	1-3/4 X 3-1/2	135.62
TBJ-231384700	I-U-10	1-3/4 X 4	83.36
TBJ-8450702	I-U-5	1-3/4 X 4	110.92
TBJ-8450709	I-U-12	1-3/4 X 4	93.70
TBJ-845109500	I-U-10	1-3/4 X 4	156.10
TBJ-845167600	P-U-10	1-3/4 X 4	132.85
TBJ-8450282	I-U-5	1-3/4 X 4-1/2	152.67
TBJ-8450703	I-U-5	1-3/4 X 4-1/2	119.48
TBJ-41477400	P-U-5	2 X 4	66.94
TBJ-700797300	P-UB-10	2 X 4	116.52
TBJ-843010000	1-U-5	2 X 4	89.98
TBJ-F434195	P-UB-10	2 X 4	190.83
TBJ-231383200	I-U-10	2 X 4-1/2	168.86
TBJ-8450446	I-V-9	2 X 4-1/2	117.24
TBJ-845167700	P-U-10	2 X 4-1/2	173.31
TBJ-42289700	I-U-4	2-1/2 X 4	105.61
TBJ-842249600	I-U-5	2-1/2 X 4	160.74
TBJ-8429306	I-U-5	2-1/2 X 4	109.55
TBJ-843113700	P-U-10	2-1/2 X 4	173.31
TBJ-F434787	P-UB-10	2-1/2 X 4	211.56
TBJ-843011300	I-U-5	2-1/2 X 4-1/2	102.57

Kit Number	Code (Pg. xiv)	Rod X Bore Size	List Price
TBJ-8450705	I-U-5	2-1/2 X 4-1/2	\$134.28
TBJ-F434785	P-UB-10	2-1/2 X 4-1/2	228.72
TBJ-41468700	I-U-10	2-1/2 X 5	54.83
TBJ-841468700	I-U-10	2-1/2 X 5	70.01
TBJ-8417516	I-U-10	2-1/2 X 5	134.57
TBJ-843009800	I-U-10	2-1/2 X 5	135.86
TBJ-843009900	I-U-10	2-1/2 X 5-1/2	199.59
TBJ-845089900	I-U-10	2-1/2 X 5-1/2	199.59
TBJ-F433145	P-UB-10	2-1/2 X 5-1/2	268.09
TBJ-8450704	I-U-5	2-1/2 X 6	169.40
TBJ-700867900	P-UB-10	3 X 5	352.21
TBJ-700884400	P-UB-14	3 X 5	358.48
TBJ-842936800	I-U-10	3 X 6	127.92
TBJ-843032800	I-U-10	3 X 6	135.01
TBJ-842937500	I-U-10	3 X 7	100.65
TBJ-843032500	I-U-10	3 X 7	103.08
TBJ-841923200	I-U-10	3-1/2 X 6-1/2	111.19
TBJ-842938200	I-U-10	3-1/2 X 7	145.66
TBJ-842961900	I-U-10	3-1/2 X 7	121.55
TBJ-F436221	BORE SWIVEL KIT	6, 6-1/2	336.13
TBJ-8431265	I-U-10	25 mm X 2 in	53.45
TBJ-F433400	P-UB-1	45 mm	108.27
TBJ-F432351	I-UB-1	50 mm	77.30
TBJ-F433415	P-UB-10	63 mm	91.26
TBJ-F434056	N-N-14	90 mm	103.83
TBJ-842884100	N-N-14	100 mm	126.43
TBJ-F434140	N-N-14	125 mm	256.22

PISTON SEALS FOR TIMBERJACK EQUIPMENT

Part Number	Bore Diam.	List Price
TBJ-811035200	3-1/2	\$55.96

TOWMOTOR - CATERPILLAR LIFT TRUCKS

FOR A LIST OF TOWMOTOR / CATERPILLAR LIFT TRUCKS SEE OUR LISTING OF KITS UNDER THE CATERPILLAR SECTION IN THIS CATALOG OR THE INDUSTRIAL CATALOG.

TOYOTA LIFT TRUCKS

TOYOTA

Kit Number	Code (Pg. xiv)	Rod X Bore Size	List Price
TOY-04431-30091-71	P-U-5	60 X 90 mm	\$381.73
TOY-04433-10010-71	P-U-10	40 X 60 mm	158.49
TOY-04433-10020-71	P-U-10	40 X 60 mm	99.29
TOY-04433-10101-71	I-U-10	40 X 60 mm	104.24
TOY-04433-20011-71	I-U-10	50 X 75 mm	307.63
TOY-04433-20030-71	I-U-10	50 X 80 mm	263.73
TOY-04433-U1010-71	I-U-10	40 mm X 2-3/8 in	78.92
TOY-04433-U2040-71	I-U-10	50 mm X 3 in	74.97
TOY-04433-U2050-71	I-U-10	50 mm X 3 in	293.88
TOY-04433-U3010-71	I-U-10	50 mm X 3-1/8 in	293.88
TOY-04451-10070-71	P-V-12	22 X 40 mm	110.47
TOY-04451-10090-71	P-V-12	22 X 40 mm	122.24
TOY-04451-10120-71	P-U-12	22 X 45 mm	113.99
TOY-04451-20100-71	P-V-12	22 X 50 mm	122.70
TOY-04451-20101-71	P-U-12	22 X 50 mm	130.83
TOY-04451-20170-71	P-V-12	22 X 50 mm	124.09
TOY-04451-20171-71	P-U-12	22 X 50 mm	124.58
TOY-04455-U2010-71	OVERHAUL STEER KIT		117.72
TOY-04456-10020-71	P-U-10	22 X 50 mm	80.91
TOY-04456-10031-71	P-U-5	30 X 55 mm	241.62
TOY-04456-10050-71	P-U-12	22 X 45 mm	103.04
TOY-04456-20010-71	P-U-12	22 X 40 mm	117.90
TOY-04456-20020-71	P-U-12	22 X 40 mm	110.70
TOY-04456-20030-71	N-U-12	22 X 50 mm	93.64
TOY-04456-20060-71	I-U-12	22 X 50 mm	53.76
TOY-04456-30010-71	P-U-1	25 X 55 mm	86.65
TOY-04456-30011-71	P-U-12	25 X 55 mm	116.46
TOY-04651-10060-71	P-N-4	50 X 80 mm	106.56
TOY-04651-10132-71	P-U-5	30 X 80 mm	142.48
TOY-04651-10330-71	P-U-5	30 X 70 mm	112.28
TOY-04651-10333-71	P-U-5	30 X 70 mm	165.73
TOY-04651-10334-71	P-U-5	30 X 70 mm	165.73
TOY-04651-10652-71	P-U-4	50 X 65 mm	170.09
TOY-04651-10662-71	P-U-4	50 X 65 mm	170.09
TOY-04651-10671-71	P-U-1	70 mm Rod Kit	144.01
TOY-04651-10870-71	P-U-1	70 X 80 mm	164.19
TOY-04651-10871-71	P-U-1	70 mm Rod Kit	144.01
TOY-04651-10882-71	P-U-5	30 X 70 mm	165.73
TOY-04651-10892-71	P-U-5	30 X 70 mm	165.73
TOY-04651-11032-71	P-U-1	35 X 50 mm	100.86
TOY-04651-11061-71	P-U-4	40 X 50 mm	118.35
TOY-04651-11250-71	P-U-1	75 X 90 mm	243.49
TOY-04651-11261-71	P-U-1	35 X 50 mm	100.28
TOY-04651-11270-71	P-U-1	75 X 90 mm	245.88
TOY-04651-11271-71	P-U-1	75 mm Rod Kit	154.48
TOY-04651-11290-71	P-U-4	40 X 50 mm	117.70
TOY-04651-11291-71	P-U-4	40 X 50 mm	116.97
TOY-04651-11300-71	N-U-4	50 X 65 mm	126.34
TOY-04651-11390-71	P-U-4	40 X 50 mm	126.67
TOY-04651-20132-71	P-U-1	60 X 70 mm	178.05
TOY-04651-20133-71	P-U-4	60 X 70 mm	197.66
TOY-04651-20141-71	P-U-4	50 X 70 mm	145.40
TOY-04651-20142-71	P-U-4	50 X 70 mm	165.54
TOY-04651-20151-71	P-V-5	30 X 70 mm	261.16
TOY-04651-20182-71	P-U-4	60 X 75 mm	171.82
TOY-04651-20184-71	P-U-1	75 X 90 mm	176.86
TOY-04651-20185-71	P-U-1	75 X 90 mm	176.86

Kit Number	Code (Pg. xiv)	Rod X Bore Size	List Price
TOY-04651-20186-71	P-U-1	75 X 90 mm	\$245.88
TOY-04651-20260-71	P-U-1	50 X 70 mm	116.49
TOY-04651-20262-71	P-U-1	50 X 70 mm	147.16
TOY-04651-20262-71	P-U-1	50 X 70 mm	147.16
TOY-04651-20390-71	P-U-4	50 X 70 mm	175.09
TOY-04651-20400-71	P-U-4	60 X 70 mm	192.08
TOY-04651-20421-71	P-U-4	50 X 70 mm	167.46
TOY-04651-20441-71	P-U-5	30 X 70 mm	104.31
TOY-04651-20442-71	P-U-5	30 X 70 mm	165.73
TOY-04651-20841-71	P-U-1	75 X 90 mm	246.26
TOY-04651-20970-71	P-U-1	75 X 90 mm	245.88
TOY-04651-20971-71	P-U-1	75 mm Rod Kit	154.83
TOY-04651-20980-71	P-U-4	40 X 50 mm	96.31
TOY-04651-20992-71	P-U-1	35 X 50 mm	100.28
TOY-04651-21150-71	P-U-4	40 X 50 mm	97.03
TOY-04651-21151-71	P-U-4	40 X 50 mm	117.70
TOY-04651-21290-71	P-U-4	40 X 50 mm	97.03
TOY-04651-21310-71	P-U-1	35 X 50 mm	99.61
TOY-04651-21340-71	P-U-1	35 X 50 mm	100.28
TOY-04651-21350-71	P-U-4	40 X 50 mm	124.97
TOY-04651-30111-71	P-N-4	60 X 100 mm	135.19
TOY-04651-30170-71	P-U-5	40 X 100 mm	160.53
TOY-04651-30181-71	I-U-1	30 X 90 mm	152.74
TOY-04651-30211-71	P-N-4	60 X 80 mm	158.76
TOY-04651-30212-71	P-U-4	60 X 80 mm	165.73
TOY-04651-30561-71	P-U-4	60 X 80 mm	180.50
TOY-04651-30841-71	P-U-1	90 X 105 mm	221.94
TOY-04651-30842-71	P-U-1	90 X 105 mm	300.04
TOY-04651-30911-71	P-U-1	60 X 80 mm	158.42
TOY-04651-30920-71	P-U-4	60 X 80 mm	183.61
TOY-04651-30980-71	P-U-4	60 X 80 mm	127.38
TOY-04651-30991-71	P-U-5	40 X 100 mm	117.08
TOY-04651-31170-71	P-U-1	55 X 65 mm	140.37
TOY-04651-31180-71	P-U-4	50 X 65 mm	162.45
TOY-04651-31181-71	P-U-4	50 X 65 mm	148.22
TOY-04651-31210-71	P-U-1	90 X 105 mm	302.49
TOY-04651-31211-71	P-U-1	85 X 105 mm	363.79
TOY-04651-31220-71	P-U-1	40 X 60 mm	96.50
TOY-04651-31230-71	P-U-1	40 X 60 mm	97.19
TOY-04651-31240-71	P-U-1	55 X 65 mm	142.64
TOY-04651-31250-71	P-U-1	55 X 65 mm	143.32
TOY-04651-31280-71	P-U-4	50 X 65 mm	159.95
TOY-04651-31281-71	P-U-4	50 X 65 mm	145.76
TOY-04651-31282-71	P-U-4	50 X 65 mm	122.86
TOY-04651-31290-71	P-U-4	60 X 90 mm	180.14
TOY-04651-31302-71	P-U-1	95 mm Rod Kit	184.84
TOY-04651-31311-71	P-U-1	105 mm Rod Kit	186.89
TOY-04651-31410-71	P-U-1	45 X 65 mm	121.65
TOY-04651-31420-71	P-U-1	45 X 65 mm	124.09
TOY-04651-31430-71	P-U-1	55 X 65 mm	144.01
TOY-04651-31440-71	P-U-1	55 X 65 mm	138.63
TOY-04651-31450-71	P-U-4	70 X 90 mm	226.45
TOY-04651-31500-71	P-U-4	45 X 55 mm	125.14
TOY-04651-31510-71	P-U-4	45 X 55 mm	124.41
TOY-04651-31520-71	P-U-4	45 X 55 mm	126.86
TOY-04651-31530-71	P-U-4	45 X 55 mm	122.37
TOY-04651-31800-71	P-U-4	55 X 80 mm	146.55

TOYOTA LIFT TRUCKS

Kit Number	Code (Pg. xiv)	Rod X Bore Size	List Price
TOY-04651-31810-71	P-U-4	55 X 80 mm	\$136.78
TOY-04651-31820-71	P-U-5	70 X 120 mm	361.04
TOY-04651-31830-71	P-U-5	70 X 110 mm	112.01
TOY-04652-10020-71	P-U-1	70 X 80 mm	231.13
TOY-04652-10030-71	P-U-1	70 X 80 mm	231.13
TOY-04652-10170-71	P-U-1	70 mm Rod Kit	120.11
TOY-04652-10191-71	P-U-1	70 X 85 mm	84.15
TOY-04652-10300-71	P-U-10	50 X 70 mm	154.18
TOY-04652-20031-71	P-U-1	75 X 90 mm	187.96
TOY-04652-20040-71	P-U-1	75 X 90 mm	175.50
TOY-04652-30010-71	P-U-1	90 X 105 mm	224.56
TOY-04652-30011-71	P-U-1	85 X 105 mm	220.02
TOY-04652-30020-71	P-U-1	40 X 60 mm	97.19
TOY-04652-30030-71	P-U-1	40 X 60 mm	96.50
TOY-04652-30040-71	P-U-1	50 X 70 mm	128.74
TOY-04652-30050-71	P-U-1	50 X 70 mm	131.24
TOY-04652-30131-71	P-U-1	85 X 105 mm	219.54
TOY-04652-30132-71	P-U-1	85 X 105 mm	127.31
TOY-04652-30150-71	P-U-1	85 X 105 mm	206.84
TOY-04652-U1020-71	I-U-4	2 X 2-3/4	208.89
TOY-04652-U2010-71	I-U-4	50 X 75 mm	184.56
TOY-04652-U2020-71	I-U-4	2" X 75 mm	161.77
TOY-04653-10020-71	P-U-4	35 X 45 mm	113.13
TOY-04653-10030-71	P-U-4	35 X 45 mm	111.91
TOY-04653-10040-71	P-U-4	35 X 45 mm	113.13
TOY-04653-10050-71	P-U-4	35 X 45 mm	112.45
TOY-04653-10060-71	P-U-1	35 X 50 mm	102.40
TOY-04653-10170-71	P-U-1	35 mm	59.27
TOY-04653-10500-71	P-U-1	35 X 45 mm	48.56
TOY-04653-10530-71	P-U-4	35 X 45 mm	43.35
TOY-04653-20071-71	P-U-4	40 X 50 mm	126.67
TOY-04653-20081-71	P-U-4	40 X 50 mm	127.52
TOY-04653-20090-71	P-U-1	35 X 50 mm	109.17
TOY-04653-20100-71	P-U-1	35 mm Rod Kit	94.91
TOY-04653-20110-71	P-U-1	35 X 50 mm	72.65
TOY-04653-20130-71	P-U-1	40 X 50 mm	97.64
TOY-04653-20230-71	P-U-4	50 X 63 mm	71.97
TOY-04653-30010-71	P-U-1	55 X 65 mm	141.09
TOY-04653-30020-71	P-U-1	55 X 65 mm	141.09
TOY-04653-30030-71	P-U-1	115 mm Rod Kit	278.29
TOY-04653-30050-71	P-U-5	45 X 55 mm	122.86
TOY-04653-30060-71	P-U-4	45 X 55 mm	126.14
TOY-04653-30111-71	P-U-1	90 mm	68.24
TOY-04653-30211-71	P-U-4	45 X 55 mm	121.83
TOY-04653-30221-71	P-U-4	45 X 55 mm	132.93
TOY-04653-30230-71	P-U-1	40 X 55 mm	122.37
TOY-04653-30231-71	P-U-1	40 X 55 mm	79.24
TOY-04653-30240-71	P-U-1	40 X 55 mm	110.70
TOY-04653-30310-71	P-U-3	50 X 70 mm	64.86
TOY-04653-U1010-71	I-U-1	32 mm X 1-3/4	51.99
TOY-04653-U1011-71	I-U-1	32 mm X 1-3/4	123.52
TOY-04653-U2010-71	I-U-4	1-3/8 X 2	87.33
TOY-04653-U3010-71	I-U-1	40 mm X 2-1/8	51.99
TOY-04654-10020-71	P-U-4	35 X 45 mm	113.32
TOY-04654-10030-71	P-U-4	35 X 45 mm	112.45
TOY-04654-20020-71	P-U-1	40 X 50 mm	97.64
TOY-04654-30020-71	P-U-4	45 X 55 mm	176.44

Kit Number	Code (Pg. xiv)	Rod X Bore Size	List Price
TOY-04654-30030-71	P-U-4	45 X 55 mm	\$172.83
TOY-04654-U1010-70	I-U-4	1-3/8 X 1-3/4	55.09
TOY-04654-U1010-71	I-U-1	1-3/8 X 1-3/4	55.09
TOY-04654-U3010-71	I-U-4	45 X 55 mm	92.17
TOY-04655-20030-71	P-U-5	30 X 70 mm	148.73
TOY-04655-20080-71	P-U-5	30 X 70 mm	100.20
TOY-04655-20090-71	I-U-13	30 X 70 mm	214.27
TOY-04655-30040-71	P-U-5	40 X 90 mm	175.25
TOY-04655-30041-71	P-U-5	40 X 90 mm	189.65
TOY-04655-30300-71	P-U-5	45 X100 mm	132.40
TOY-04655-U1010-71	I-U-10	30 X 70 mm	255.61
TOY-04655-U1011-71	I-U-10	30 mm X 70 mm	94.89
TOY-04655-U2010-71	I-U-10	1-1/4 X 2-3/4	136.28
TOY-04655-U3010-71	I-U-10	1-1/4 X 3	153.21
TOY-04671-20380-71	VALVE KIT		33.91
TOY-04671-20390-71	VALVE KIT		78.89
TOY-04676-20370-71	VALVE KIT		30.72
TOY-04676-20380-71	VALVE KIT		36.90
TOY-04676-20421-71	VALVE KIT		22.92
TOY-04676-20431-71	VALVE KIT		26.07
TOY-04676-20441-71	VALVE KIT		25.33
TOY-04676-20491-71	VALVE KIT		21.77
TOY-04676-20501-71	VALVE KIT		22.92
TOY-04676-20511-71	VALVE KIT		24.26
TOY-04676-20521-71	VALVE KIT		26.36
TOY-04676-20560-71	VALVE KIT		24.98
TOY-04676-20570-71	VALVE KIT		48.81
TOY-04676-20580-71	VALVE KIT		24.26
TOY-04676-20590-71	VALVE KIT		21.31
TOY-04676-20600-71	VALVE KIT		29.09
TOY-04676-20680-71	VALVE KIT		18.04
TOY-04676-20690-71	VALVE KIT		29.16
TOY-04676-20700-71	VALVE KIT		26.05
TOY-04676-20722-71	VALVE KIT		21.57
TOY-04676-20742-71	O-RING KIT		26.93
TOY-04676-30311-71	VALVE KIT		19.92
TOY-04676-30312-71	VALVE KIT		21.31
TOY-04676-30313-71	VALVE KIT		17.87
TOY-04676-30331-71	VALVE KIT		26.36
TOY-04676-30332-71	VALVE KIT		21.60
TOY-04676-30341-71	VALVE KIT		71.07
TOY-04676-30342-71	VALVE KIT		32.30
TOY-04676-30620-71	VALVE KIT		24.96
TOY-04676-30920-71	VALVE KIT		24.53
TOY-04676-30930-71	VALVE KIT		22.70
TOY-04676-30940-71	VALVE KIT		30.74
TOY-04676-30950-71	VALVE KIT		30.86
TOY-04676-30970-71	VALVE KIT		19.94
TOY-04676-30980-71	VALVE KIT		16.45
TOY-04676-30990-71	VALVE KIT		39.45
TOY-04676-31000-71	VALVE KIT		22.46
TOY-04676-31010-71	VALVE KIT		26.11
TOY-04676-31020-71	VALVE KIT		35.19
TOY-04676-31161-71	VALVE KIT		15.89
TOY-04676-31171-71	O-RING KIT		21.57
TOY-04676-U2010-71	VALVE KIT		42.05

TOYOTA

REPLACEMENT PARTS FOR TOYOTA EQUIPMENT

NOTE: Toyota part numbers are used as a reference only. We do not imply that these kits are original REPLACEMENT PARTS.

O-RINGS

Part Number	Min Pkg Qty	List Price
TOY-65592-U2200-71	20	\$0.32

U-SEALS

Part Number	Rod Dia.	List Price
TOY-77167-20100-71	80 mm	\$44.44

WIPERS

Part Number	Rod Dia.	List Price
TOY-65575-31620-71	40 mm	\$29.86

PISTON BUSHINGS

Part Number	Bore Dia.	List Price
TOY-65254-14180-71	90 mm	\$137.13

TROJAN LOADER

Kit Number	Code (Pg. xiv)	Rod X Bore Size	List Price
TJN-2112888	P-U-10	2-3/4 X 6-1/4	\$131.82
TJN-2112889	P-U-10	4 X 9	300.30
TJN-2114241	P-U-10	3 X 7	151.70
TJN-3000SC	I-U-1	1-3/4 X 4	34.80
TJN-6755591	P-U-9	3 X 6-1/2	273.48

VANGUARD

Repair parts for Vanguard are available online at www.HerculesUS.com or by contacting the Hercules Sales Team at the information provided below.

UPRIGHT

Kit Number	Code (Pg. xiv)	Rod X Bore Size	List Price
UPRT-060211-014	I-U-4	1 X 2	\$34.50
UPRT-063905-010	I-U-11	1-1/4 X 2-1/2	42.06
UPRT-101015-010	I-U-10	1 X 2-1/4	25.95
UPRT-63904-010	I-U-4	2-1/2 X 5	155.35
UPRT-64346-010	I-U-11	1-1/4 X 3	39.08
UPRT-65397-011	I-U-11	3/4 X 2-1/4	28.69
UPRT-65970-011	I-U-10	3/4 X 1-1/4	36.93
UPRT-68457-010	I-U-11	3/4 X 2-1/4	28.73

VENCO LIFTGATE

Kit Number	Code (Pg. xiv)	Rod X Bore Size	List Price
VE-13088	P-U-4	1-1/4 X 4	\$144.54
VE-13089	P-U-4	1-1/4 X 3-1/2	121.16
VE-13090	P-U-4	1-1/8 X 3	104.65

REPLACEMENT SEAL KITS FOR VOLVO EQUIPMENT*

Replacement Seal Kits By Machine Type

Table of Contents

Machine Type		Page
Backhoe Loaders	BL60, BL60B, BL61, BL61 Plus, BL61B, BL70, BL70B, BL71, BL71 Plus, BL71B	1058 - 1059
Dump Trucks - Articulated	5350B, A20, A25, A25B, A25C, A25D, A25E, A25F, A30, A30C, A30D, A30E, A30F, A35, A35C, A35D, A35E, A35F, A35F FS, A40, A40D, A40E, A40F, A40F FS	1059 - 1062
Excavators	EC140B LC, EC140B LCM, EC160B LC, EC160B NLC, EC160C L, EC160C NL, EC160D L, EC160E L, EC200B, EC210B, EC210C L, EC210C LR, EC210C N, EC210C NL, EC220D L, EC220E L, EC230B, EC240B, EC240B FX, EC240B LC, EC240B LR, EC240B NLC, EC240C L, EC240C LD, EC240C LR, EC240C NL, EC250D L, EC250D LR, EC250E L, EC250E LR, EC280, EC290B FX, EC290B LC, EC290B LR, EC290B NLC, EC290C L, EC290C LD, EC290C LR, EC290C NL, EC300D L, EC300D LR, EC300E L, EC300E LR, EC330B LC, EC330C L, EC330C LD, EC340, EC350E L, EC360, EC360B LC, EC360B LR, EC360B NLC, EC360C HR, EC360C L, EC360C LD, EC360C NL, EC380E L, EC460B LC, EC460B LR, EC460C HR, EC460C L, EC460C LD, EC700B HR, EC700B LC, EC700C L, EC700C LD	1062 - 1086
Excavators - Compact	EC15 XR, EC15 XT, EC15 XTV, EC15B XR, EC15B XT, EC15B XTV, EC20 XT, EC20 XTV, EC20B XT, EC20B XTV, EC25, EC30, EC35, EC55, EC55B, ECR58, ECR88	1086 - 1091
Forestry - Log Skidders	662, 664, 664B, 664C, 664D, 666, 666B, 666C, 666D, 667C, 667D, 668, 668B, 668C, 668D, F65, F665, F666, F668	1091 - 1093
Loaders - Skid Steer	MC90, MC90B	1093
Loaders - Wheel	12B, 35A, 35AWS, 35B, 35R, 45A, 45B, 45FB, 55A, 55A-II, 55-III, 55-IIIA, 55-III A GRR, 55B, 75A-II, 75B, LF75B, 75-III, 75-III A, 85A, 85A-II, 85A-II, 85-III, 85-III A, 125A, 125A-II, 125-111A, 125B, 175A, 175A-II, 175B, 175-III, 175-III A, 275B, 275-III, 275-III A, 475B, 475-III A, 675B, L20B, L20F, L20H, L25B, L30, L30B, L30G, L35B, L35G, L40B, L45B, L50B, L50C, L50C OR, L50D, L60E, L60F, L60G, L60H, L70B, L70C, L70C BM, L70D, L70E, L70F, L70G, L70H, L90B, L90C, L90C BM, L90D, L90E, L90F, L90G, L90H, L110E, L110F, L110G, L110H, L120B, L120C, L120C BM, L120D, L120E, L120F, L120G, L120H, L150, L150C, L150C BM, L150D, L150E, L150F, L150G, L150H, L180, L180C, L180C BM, L180D, L180D HL, L180E, L180E HL, L180F, L180F HL, L180G, L180H, L220D, L220E, L220F, L220G, L220H, L250G, L320, L330C, L330C BM, L330C LL, L330C LL BM, L330D, L330E, L350F, L480B, L480T	1093 - 1125
Motor Graders	710-740A, 750A, 780A, G930	1125
Scrapers	T450D	1125
Wheel Dozers	180, 180-III, 280, 280B, 280C, 280-III, 280-III A, 380B, 380-III, 380-III A, W380	1125 - 1126
Alpha-Numeric Kit Listing		1127 - 1132
Volvo Individual Parts		Found Online

The following models are available online at www.HerculesUS.com or by calling your regional sales team at www.HerculesUS.com

Loaders - Wheel	35C, 45C, 475C, 475CT, 55C, 75C, 125C, 175C, 275C, L50, L70, L90, L120, L140, L160, L190, L270, L270B, L480
------------------------	-------------------------------------------------------------------------------------------------------------

All manufacturer's names, part numbers and descriptions are used for reference purposes only. We do not imply that any part shown is the product of these manufacturers. We also do not imply that the list price shown is exactly that of the manufacturer.

VOLVO

Replacement Kits For

Backhoe Loaders							
APPLICATION	CYL #	SERIAL #	CODE	ROD	BORE	KIT #	List \$
MODEL BL60							
BACKHOE LOCK		10001-11314	I-O-10	16 mm	40 mm	VME-11710606	30.37
BOOM		10001-	I-UB-10	65 mm	115 mm	VME-11712455	147.18
BUCKET		10001-11314	I-UB-10	55 mm	85 mm	VME-11712450	188.07
DIPPER		10001-	I-UB-10	60 mm	110 mm	VME-11709624	132.59
EXTENSION		10001-11315	I-UB-10	40 mm	70 mm	VME-11709538	87.22
LIFT		10001-11314	I-UB-10	50 mm	80 mm	VME-11712746	136.28
SLEW		10001-	I-UB-10	50 mm	95 mm	VME-11709677	172.48
STABILIZER	11885749	10001-11314	I-UB-10	50 mm	95 mm	VME-11710948	121.31
	11886367	10001-	I-UB-10	55 mm	95 mm	VME-11715295	169.80
STEERING	11880001	10939-	I-U-10	38 mm	63 mm	VME-11716720	62.49
	11891267	10001-	I-U-10	36 mm	63 mm	VME-11712523	124.43
	11891284- 11891387	10939-11314	I-U-10	38 mm	63 mm	VME-11709898	102.61
	11891360	10001-	I-U-10	36 mm	63 mm	VME-11712523	124.43
	11891386	10001-	I-U-10	36 mm	63 mm	VME-11712523	124.43
	11895045	10001-	I-U-10	36 mm	63 mm	VME-11712523	124.43
	11895046	10939-	I-U-10	38 mm	63 mm	VME-11716720	62.49
	1887360	10939-	I-U-10	38 mm	63 mm	VME-11716720	62.49
TILT		10001-	I-UB-10	60 mm	105 mm	VME-11712749	132.59
MODEL BL60B							
BOOM	16202593	130103-	P-UB-10	65 mm	120 mm	VME-15173282	284.33
BUCKET	11887168	10001-	P-U-10	40 mm	70 mm	VME-11709913	190.67
MODEL BL61							
BACKHOE LOCK		10001-11458	I-O-10	16 mm	40 mm	VME-11710606	30.37
BOOM		10001-11458	I-UB-10	65 mm	120 mm	VME-11709528	187.50
BUCKET		10001-11458	I-UB-10	55 mm	85 mm	VME-11712450	188.07
DIPPER		10001-11458	I-UB-10	60 mm	110 mm	VME-11709624	132.59
EXTENSION		10001-11458	I-UB-10	40 mm	70 mm	VME-11709538	87.22
LIFT		10001-11458	I-UB-10	50 mm	85 mm	VME-11709617	181.47
SLEW		10001-11458	I-UB-10	50 mm	95 mm	VME-11709677	172.48
STABILIZER		10001-11458	I-UB-10	50 mm	70 mm	VME-11709632	76.72
STEERING	11880004	10627-11458	I-U-10	38 mm	63 mm	VME-11716720	62.49
	11887362	11459-	I-U-10	36 mm	65 mm	VME-11716625	110.18
	11891305	10001-11458	I-U-10	38 mm	63 mm	VME-11709898	102.61
	11891306	10001-11458	I-U-10	36 mm	63 mm	VME-11712523	124.43
	11891496	10001-11458	I-U-10	36 mm	63 mm	VME-11712523	124.43
	11895045	11459-	I-U-10	36 mm	65 mm	VME-11716625	110.18
TILT		10001-11458	I-UB-10	60 mm	105 mm	VME-11712749	132.59
MODEL BL61 Plus							
BOOM		10001-	I-UB-10	65 mm	120 mm	VME-11709528	187.50
DIPPER		10001-	I-UB-10	60 mm	110 mm	VME-11709624	132.59
EXTENSION		10001-	I-UB-10	40 mm	70 mm	VME-11709538	87.22
LIFT		10001-	I-UB-10	50 mm	85 mm	VME-11709617	181.47
SLEW		10001-	I-UB-10	50 mm	95 mm	VME-11709677	172.48
STABILIZER		10001-	I-UB-10	50 mm	70 mm	VME-11709632	76.72
STEERING	11887361	10001-	I-U-10	38 mm	63 mm	VME-11716720	62.49
	11887362	10001-	I-U-10	36 mm	65 mm	VME-11716625	110.18
TILT		10001-	I-UB-10	60 mm	105 mm	VME-11712749	132.59
MODEL BL61B							
BOOM	16202593	10287-	P-UB-10	65 mm	120 mm	VME-15173282	284.33
BUCKET	11887168	10287-	P-U-10	40 mm	70 mm	VME-11709913	190.67
MODEL BL70							
BACKHOE LOCK		10001-11488	I-O-10	16 mm	40 mm	VME-11710606	30.37
BOOM		10001-	I-UB-10	65 mm	120 mm	VME-11709528	187.50
BUCKET		10001-11488	I-UB-10	60 mm	90 mm	VME-11709547	158.10

LR - Long Reach SLF - Super Long Front QF - Quick Fit FS - Front Shovel MH - Material Handle AS - Articulate Slope

VOLVO

Replacement Kits For

VOLVO

Backhoe Loaders							
APPLICATION	CYL #	SERIAL #	CODE	ROD	BORE	KIT #	List \$
MODEL BL70							
DIPPER		10001-	I-UB-10	60 mm	120 mm	VME-11709543	182.81
EXTENSION		10001-	I-UB-10	40 mm	70 mm	VME-11709538	87.22
LIFT		10001-11488	I-UB-10	50 mm	85 mm	VME-11709617	181.47
SLEW		10001-	I-UB-10	50 mm	95 mm	VME-11709677	172.48
STABILIZER	11885749	10001-11488	I-UB-10	50 mm	95 mm	VME-11710948	121.31
	11886367	10001-	I-UB-10	55 mm	95 mm	VME-11715295	169.80
STEERING		10001-	I-U-10	36 mm	65 mm	VME-11716625	110.18
		10001-11488	I-U-10	38 mm	63 mm	VME-11709898	102.61
TILT		10001-	I-UB-10	60 mm	110 mm	VME-11709624	132.59
MODEL BL70B							
BOOM	16202593	11489-	P-UB-10	65 mm	120 mm	VME-15173282	284.33
BUCKET	11887168	10001-	P-U-10	40 mm	70 mm	VME-11709913	190.67
MODEL BL71							
BACKHOE LOCK		10021-16826	I-O-10	16 mm	40 mm	VME-11710606	30.37
BOOM		10021-	I-UB-10	65 mm	120 mm	VME-11709528	187.50
BUCKET		10021-16826	I-UB-10	60 mm	90 mm	VME-11709547	158.10
DIPPER		10021-	I-UB-10	60 mm	120 mm	VME-11709543	182.81
EXTENSION		10021-	I-UB-10	40 mm	70 mm	VME-11709538	87.22
LIFT		10021-16826	I-UB-10	50 mm	85 mm	VME-11709617	181.47
SLEW		10021-	I-UB-10	50 mm	95 mm	VME-11709677	172.48
STABILIZER		10021-	I-UB-10	50 mm	70 mm	VME-11709632	76.72
STEERING		10021-16826	I-U-10	38 mm	63 mm	VME-11709898	102.61
		10021-16826	I-U-10	36 mm	65 mm	VME-11716625	110.18
TILT		10021-	I-UB-10	60 mm	110 mm	VME-11709624	132.59
MODEL BL71 Plus							
BOOM		10001-	I-UB-10	65 mm	120 mm	VME-11709528	187.50
DIPPER		10001-10494	I-UB-10	60 mm	120 mm	VME-11709543	182.81
		10495-	I-UB-10	60 mm	110 mm	VME-11709624	132.59
EXTENSION		10001-	I-UB-10	40 mm	70 mm	VME-11709538	87.22
LIFT		10001-10494	I-UB-10	50 mm	85 mm	VME-11709617	181.47
SLEW		10001-	I-UB-10	50 mm	95 mm	VME-11709677	172.48
STABILIZER		10001-	I-UB-10	50 mm	70 mm	VME-11709632	76.72
STEERING		10001-	I-U-10	36 mm	65 mm	VME-11716625	110.18
TILT		10001-	I-UB-10	60 mm	110 mm	VME-11709624	132.59
MODEL BL71B							
BOOM	16202593	10495-	P-UB-10	65 mm	120 mm	VME-15173282	284.33
BUCKET	11887168	10001-	P-U-10	40 mm	70 mm	VME-11709913	190.67
Dump Trucks - Articulated							
APPLICATION	CYL #	SERIAL #	CODE	ROD	BORE	KIT #	List \$
MODEL 5350B							
STEERING	4782849-6	-2475	P-U-15	70 mm	100 mm	VME-6630443	112.63
	4833274-6	2746-	P-U-15	70 mm	100 mm	VME-6630443	112.63
TILT	11053261-1		6 stage	60-140		VME-6630839	520.65
	11053262-9		6 stage	75-160		VME-6630852	599.29
	4941338-8		6 stage	60-140		VME-6630839	520.65
	4941761-1		4 stage	70-140		VME-6213407	581.84
	4942058-1		6 stage	75-160		VME-6630852	599.29
MODEL A20							
STEERING	4833274-6		P-U-15	70 mm	100 mm	VME-6630443	112.63
TILT	11053261-1	1533-	6 stage	60-140		VME-6630839	520.65
	11053262-9	1127-1532	6 stage	75-160		VME-6630852	599.29
	4942058-1	-1126	6 stage	75-160		VME-6630852	599.29
MODEL A25							
STEERING	4833274-6		P-U-15	70 mm	100 mm	VME-6630443	112.63
TILT	11043078-2	4067-5598	3 stage	75-140		VME-11991589	392.86

LR - Long Reach SLF - Super Long Front QF - Quick Fit FS - Front Shovel MH - Material Handle AS - Articulate Slope

FORMERLY LISTED REPAIR PARTS ARE AVAILABLE ONLINE AT WWW.HERCULESUS.COM
OR BY CONTACTING YOUR REGIONAL HERCULES SALES TEAM.

VOLVO

Replacement Kits For

Dump Trucks - Articulated							
APPLICATION	CYL #	SERIAL #	CODE	ROD	BORE	KIT #	List \$
MODEL A25							
TILT	11053261-1	4092-5486	6 stage	60-140		VME-6630839	520.65
	11053262-9	-5486	6 stage	75-160		VME-6630852	599.29
	11061382-5	5487-	5 stage	75-140		VME-11993411	578.78
	11061383-3	5599-	3 stage	75-140		VME-11993103	325.19
	4941338-8	-4091	6 stage	60-140		VME-6630839	520.65
4941761-1	-4066	4 stage	70-140		VME-6213407	581.84	
MODEL A25B							
STEERING	4833274-6		P-U-15	70 mm	100 mm	VME-6630443	112.63
MODEL A25C							
STEERING	4833274-6	-10256;-60911	P-U-15	70 mm	100 mm	VME-6630443-7	112.89
TIPPING (4X4)	11088346-9	-10256;-60911	P-U-13	70 mm	125 mm	VME-11990351-6	375.94
TIPPING (6X6)	11005475-6	-10256;-60911	P-U-13	70 mm	125 mm	VME-11990351-6	375.94
MODEL A25D							
HOIST	11190986	11001-12999;13001-20000;61001-61118;71001-71999;72001-	P-U-10,13	80 mm	125 mm	VME-11988209	368.92
	11190986	11001-12999;13001-20000;61001-61118;71001-71999;72001-	P-U-10,13	80 mm	125 mm	VME-11988209-EX	398.35
	11190986	11001-12999;13001-20000;61001-61118;71001-71999;72001-	Bushing	80 mm		VME-11088150	5.00
	11190986	11001-12999;13001-20000;61001-61118;71001-71999;72001-	Wear Ring		125 mm	VME-4833220	12.80
	11296003	11001-12999;61001-61118;71001-71999	P-U-10,13	80 mm	125 mm	VME-11988209	368.92
	11296003	11001-12999;61001-61118;71001-71999	P-U-10,13	80 mm	125 mm	VME-11988209-EX	398.35
	11296003	11001-12999;61001-61118;71001-71999	Bushing	80 mm		VME-11088150	5.00
	11296003	11001-12999;61001-61118;71001-71999	Wear Ring		125 mm	VME-4833220	12.80
	11296031	11001-12999;13001-20000;61001-61118;71001-71999;72001-	P-U-10,13	80 mm	125 mm	VME-11988209	368.92
	11296031	11001-12999;13001-20000;61001-61118;71001-71999;72001-	P-U-10,13	80 mm	125 mm	VME-11988209-EX	398.35
	11296031	11001-12999;13001-20000;61001-61118;71001-71999;72001-	Bushing	80 mm		VME-11088150	5.00
	11296031	11001-12999;13001-20000;61001-61118;71001-71999;72001-	Wear Ring		125 mm	VME-4833220	12.80
	STEERING	11296025	11001-12999;61001-61118;71001-71999	P-U-10	60 mm	100 mm	VME-11709249
11296025		11001-12999;61001-61118;71001-71999	P-U-10	60 mm	100 mm	VME-11709249-EX	122.56
11296025		11001-12999;61001-61118;71001-71999	Bushing	60 mm		VME-11088053	3.80
11296025		11001-12999;61001-61118;71001-71999	Wear Ring		100 mm	VME-11088148	6.56
11296026		11001-12999;13001-20000;61001-61118;71001-71999	I-UB-10	60 mm	100 mm	VME-11712387	131.10
MODEL A25E							
HOIST	11190986	13001-;73001-	P-U-10,13	80 mm	125 mm	VME-11988209	368.92
	11190986	13001-;73001-	P-U-10,13	80 mm	125 mm	VME-11988209-EX	398.35
	11190986	13001-;73001-	Bushing	80 mm		VME-11088150	5.00
	11190986	13001-;73001-	Wear Ring		125 mm	VME-4833220	12.80
	11296031	13001-;73001-	P-U-10,13	80 mm	125 mm	VME-11988209	368.92
	11296031	13001-;73001-	P-U-10,13	80 mm	125 mm	VME-11988209-EX	398.35
	11296031	13001-;73001-	Bushing	80 mm		VME-11088150	5.00
STEERING	11296026	13001-;73001-	I-UB-10	60 mm	100 mm	VME-11712387	131.10
MODEL A25F							
HOIST	16217815	13001-, 53001-, 73401-	P-U-10,13	80 mm	125 mm	VME-11988209	368.92
	16217815	13001-, 53001-, 73401-	P-U-10,13	80 mm	125 mm	VME-11988209-EX	398.35
	16217815	13001-, 53001-, 73401-	Bushing	80 mm		VME-11088150	5.00
	16217815	13001-, 53001-, 73401-	Wear Ring		125 mm	VME-4833220	12.80
HYDRAULIC	11296026	13001-, 53001-, 73401-	I-UB-10	60 mm	100 mm	VME-11712387	131.10
MODEL A30							
STEERING	11005212-3		P-U-15	60 mm	100 mm	VME-6630843-8	116.43

LR - Long Reach SLF - Super Long Front QF - Quick Fit FS - Front Shovel MH - Material Handle AS - Articulate Slope

VOLVO

Replacement Kits For

VOLVO

Dump Trucks - Articulated							
APPLICATION	CYL #	SERIAL #	CODE	ROD	BORE	KIT #	List \$
MODEL A30							
STEERING	11088154-7		P-U-15	60 mm	100 mm	VME-6630843-8	116.43
TIPPING	11005120-8		P-U-15	80 mm	140 mm	VME-11990170-0	382.43
	11088306-3		P-U-15	80 mm	140 mm	VME-11990170-0	382.43
MODEL A30C							
HOIST	11088306-3	-2320;-2275	P-U-15	80 mm	140 mm	VME-11990170-0	382.43
	11088815-3	-2320;-2275	P-U-15	80 mm	140 mm	VME-11990170-0	382.43
STEERING	11088154-7	-2320;-2275	P-U-15	60 mm	100 mm	VME-6630843-8	116.43
MODEL A30D							
HOIST	11296003	10001-11999;60001-60093;70001-72999	P-U-10,13	80 mm	125 mm	VME-11988209	368.92
	11296003	10001-11999;60001-60093;70001-72999	P-U-10,13	80 mm	125 mm	VME-11988209-EX	398.35
	11296003	10001-11999;60001-60093;70001-72999	Bushing	80 mm		VME-11088150	5.00
	11296003	10001-11999;60001-60093;70001-72999	Wear Ring		125 mm	VME-4833220	12.80
	11296031	10001-11999;12001-20000;60001-60093;70001-72999;73000-80000	P-U-10,13	80 mm	125 mm	VME-11988209	368.92
	11296031	10001-11999;12001-20000;60001-60093;70001-72999;73000-80000	P-U-10,13	80 mm	125 mm	VME-11988209-EX	398.35
	11296031	10001-11999;12001-20000;60001-60093;70001-72999;73000-80000	Bushing	80 mm		VME-11088150	5.00
STEERING	11296025	10001-11999;60001-60093;70001-72999	P-U-10	60 mm	100 mm	VME-11709249	106.00
	11296025	10001-11999;60001-60093;70001-72999	P-U-10	60 mm	100 mm	VME-11709249-EX	122.56
	11296025	10001-11999;60001-60093;70001-72999	Bushing	60 mm		VME-11088053	3.80
	11296025	10001-11999;60001-60093;70001-72999	Wear Ring		100 mm	VME-11088148	6.56
	11296026	10001-11999;12001-20000;60001-60093;70001-72999;73000-80000	I-UB-10	60 mm	100 mm	VME-11712387	131.10
MODEL A30E							
HOIST	11296031	12001-;72001-	P-U-10,13	80 mm	125 mm	VME-11988209	368.92
	11296031	12001-;72001-	P-U-10,13	80 mm	125 mm	VME-11988209-EX	398.35
	11296031	12001-;72001-	Bushing	80 mm		VME-11088150	5.00
	11296031	12001-;72001-	Wear Ring		125 mm	VME-4833220	12.80
STEERING	11296026	72001-;12001-	I-UB-10	60 mm	100 mm	VME-11712387	131.10
MODEL A30F							
HOIST	16217815	12001-, 52001-, 72701-	P-U-10,13	80 mm	125 mm	VME-11988209	368.92
	16217815	12001-, 52001-, 72701-	P-U-10,13	80 mm	125 mm	VME-11988209-EX	398.35
	16217815	12001-, 52001-, 72701-	Bushing	80 mm		VME-11088150	5.00
	16217815	12001-, 52001-, 72701-	Wear Ring		125 mm	VME-4833220	12.80
HYDRAULIC	11296026	12001-, 52001-, 72701-	I-UB-10	60 mm	100 mm	VME-11712387	131.10
MODEL A35							
STEERING	11088155-4	1882-;1886(USA)-	P-U-15	70 mm	110 mm	VME-11990070	144.97
	4833125-0	-1881-;1885(USA)	P-U-15	70 mm	110 mm	VME-11990070	144.97
TILT	11043080-8	-1194-;1200(USA)	3 stage	75-140		VME-11991589	392.86
	11061384-1	1195-;1201(USA)-	3 stage	75-140		VME-11993103	325.19
MODEL A35C							
STEERING	11088751-0	-4260	P-U-15	70 mm	110 mm	VME-11701665-9	106.59
TILT	11061384-1	-4260	3 stage	75-140		VME-11993103-8	330.83
MODEL A35D							
HOIST	11149003	11001-60000;61001-70000;70001-99999	P-UB-10	90 mm	150 mm	VME-11708734	153.30
	11149003	11001-60000;61001-70000;70001-99999	P-UB-10	90 mm	150 mm	VME-11708734-EX	271.10
	11149003	11001-60000;61001-70000;70001-99999	Bushing	90 mm		VME-11088249	28.71
	11149003	11001-60000;61001-70000;70001-99999	Wear Ring		150 mm	VME-11088149	21.25
	11296032	11001-60000;70001-99999;61001-70000	P-U-10	90 mm	150 mm	VME-11711945	245.04
	11296032	11001-60000;70001-99999;61001-70000	P-U-10	90 mm	150 mm	VME-11711945-EX	344.72
	11296032	11001-60000;70001-99999;61001-70000	Bushing	90 mm		VME-11088249	28.71
	11296032	11001-60000;70001-99999;61001-70000	Wear Ring		150 mm	VME-11088149	21.25
STEERING	11149000	11001-60000;70001-99999;61001-70000	P-U-15	70 mm	120 mm	VME-11700151	148.13
	11149000	11001-60000;70001-99999;61001-70000	P-U-15	70 mm	120 mm	VME-11700151-EX	154.07

LR - Long Reach SLF - Super Long Front QF - Quick Fit FS - Front Shovel MH - Material Handle AS - Articulate Slope

FORMERLY LISTED REPAIR PARTS ARE AVAILABLE ONLINE AT WWW.HERCULESUS.COM
OR BY CONTACTING YOUR REGIONAL HERCULES SALES TEAM.

VOLVO

Replacement Kits For

VOLVO

Dump Trucks - Articulated							
APPLICATION	CYL #	SERIAL #	CODE	ROD	BORE	KIT #	List \$
MODEL A35D							
STEERING	11149000	11001-60000;70001-99999;61001-70000	Bushing	70 mm		VME-11088054	4.46
	11296028	11001-60000;70001-99999;61001-70000	I-UB-10	70 mm	120 mm	VME-11712388	181.50
MODEL A35E							
HOIST	11296034	10001-	P-U-10	90 mm	150 mm	VME-11711945	245.04
	11296034	10001-	P-U-10	90 mm	150 mm	VME-11711945-EX	344.72
	11296034	10001-	Bushing	90 mm		VME-11088249	28.71
	11296034	10001-	Wear Ring		150 mm	VME-11088149	21.25
STEERING	11296028	10001-	I-UB-10	70 mm	120 mm	VME-11712388	181.50
MODEL A35F							
HOIST	15146032	10001-, 50001-	P-UB-10	90 mm	150 mm	VME-15153996	291.12
HYDRAULIC	11296028	10001-, 50001-	I-UB-10	70 mm	120 mm	VME-11712388	181.50
MODEL A35F FS							
HOIST	15146032	10001-, 50001-	P-UB-10	90 mm	150 mm	VME-15153996	291.12
HYDRAULIC	11296028	10001-, 50001-	I-UB-10	70 mm	120 mm	VME-11712388	181.50
	17202131	10001-, 50001-	P-UB-10	90 mm	115 mm	VME-17207945	411.63
MODEL A40							
HOIST	11088003	1001-1151;60001-60026;1001-1097;60101-70000;1201-10000	P-UB-13	90 mm	160 mm	VME-11700176	682.69
STEERING	11088298	1001-1151;60001-60026;1001-1097;60101-70000;1201-10000	P-U-15	70 mm	120 mm	VME-11700151	148.13
	11088298	1001-1151;60001-60026;1001-1097;60101-70000;1201-10000	P-U-15	70 mm	120 mm	VME-11700151-EX	154.07
	11088298	1001-1151;60001-60026;1001-1097;60101-70000;1201-10000	Bushing	70 mm		VME-11088054	4.46
MODEL A40D							
HOIST	11149003	10001-60000;60001-70000;70001-99999	P-UB-10	90 mm	150 mm	VME-11708734	153.30
	11149003	10001-60000;60001-70000;70001-99999	P-UB-10	90 mm	150 mm	VME-11708734-EX	271.10
	11149003	10001-60000;60001-70000;70001-99999	Bushing	90 mm		VME-11088249	28.71
	11149003	10001-60000;60001-70000;70001-99999	Wear Ring		150 mm	VME-11088149	21.25
	11296032	10001-60000;70001-99999;60001-70000	P-U-10	90 mm	150 mm	VME-11711945	245.04
	11296032	10001-60000;70001-99999;60001-70000	P-U-10	90 mm	150 mm	VME-11711945-EX	344.72
	11296032	10001-60000;70001-99999;60001-70000	Bushing	90 mm		VME-11088249	28.71
	11296032	10001-60000;70001-99999;60001-70000	Wear Ring		150 mm	VME-11088149	21.25
STEERING	11149000	10001-60000;70001-99999;60001-70000	P-U-15	70 mm	120 mm	VME-11700151	148.13
	11149000	10001-60000;70001-99999;60001-70000	P-U-15	70 mm	120 mm	VME-11700151-EX	154.07
	11149000	10001-60000;70001-99999;60001-70000	Bushing	70 mm		VME-11088054	4.46
	11296028	10001-60000;70001-99999;61001-70000	I-UB-10	70 mm	120 mm	VME-11712388	181.50
MODEL A40E							
HOIST	11296034	11001-	P-U-10	90 mm	150 mm	VME-11711945	245.04
	11296034	11001-	P-U-10	90 mm	150 mm	VME-11711945-EX	344.72
	11296034	11001-	Bushing	90 mm		VME-11088249	28.71
	11296034	11001-	Wear Ring		150 mm	VME-11088149	21.25
STEERING	11296028	11001-	I-UB-10	70 mm	120 mm	VME-11712388	181.50
MODEL A40F							
HOIST	15146032	11001-, 51001-	P-UB-10	90 mm	150 mm	VME-15153996	291.12
HYDRAULIC	11296028	11001-, 51001-	I-UB-10	70 mm	120 mm	VME-11712388	181.50
MODEL A40F FS							
HOIST	15146032	11001-, 51001-	P-UB-10	90 mm	150 mm	VME-15153996	291.12
HYDRAULIC	11296028	11001-, 51001-	I-UB-10	70 mm	120 mm	VME-11712388	181.50
	17202131	11001-, 51001-	P-UB-10	90 mm	115 mm	VME-17207945	411.63
Excavators							
APPLICATION	CYL #	SERIAL #	CODE	ROD	BORE	KIT #	List \$
MODEL EC140B LC, EC140B LCM							
BOOM	14513832	10001-12687	P-UB-10	70 mm	105 mm	VME-14516932	282.28
	14513833	10001-12687	P-UB-10	70 mm	110 mm	VME-14516933	367.80
	14514845	10001-12687	P-UB-10	70 mm	105 mm	VME-14516932	282.28
	14514847	10001-12687	P-UB-10	70 mm	110 mm	VME-14516933	367.80

LR - Long Reach SLF - Super Long Front QF - Quick Fit FS - Front Shovel MH - Material Handle AS - Articulate Slope

VOLVO

Replacement Kits For

Excavators							
APPLICATION	CYL #	SERIAL #	CODE	ROD	BORE	KIT #	List \$
MODEL EC140B LC, EC140B LCM							
BOOM	14563313	12688-	P-UB-10	70 mm	105 mm	VME-14516932	282.28
	14564035	12688-	P-UB-10	70 mm	105 mm	VME-14516932	282.28
	14564141	12688-	P-UB-10	70 mm	110 mm	VME-14516933	367.80
	14564147	12688-	P-UB-10	70 mm	110 mm	VME-14516933	367.80
BOOM (Adj 2nd)	14513834	10001-12687	P-UB-10	90 mm	160 mm	VME-14516934	375.57
	14514848	10001-12687	P-UB-10	90 mm	160 mm	VME-14516934	375.57
	14564150	12688-	P-UB-10	90 mm	160 mm	VME-14516934	375.57
	14564156	12688-	P-UB-10	90 mm	160 mm	VME-14516934	375.57
BUCKET	14510883	10001-10835	P-UB-10	70 mm	100 mm	VME-14547310	346.38
	14514560	10001-10838	P-UB-10	70 mm	100 mm	VME-14547310	346.38
	14522846	10836-12687	P-UB-10	70 mm	100 mm	VME-14547310	346.38
	14522900	10839-12687	P-UB-10	70 mm	100 mm	VME-14547310	346.38
	14564132	12688-	P-UB-10	70 mm	100 mm	VME-14547310	346.38
	14564139	12688-	P-UB-10	70 mm	100 mm	VME-14547310	346.38
DIPPER ARM	14513836	10001-10786	P-UB-10	80 mm	120 mm	VME-14515053	386.01
	14514846	10001-10892	P-UB-10	80 mm	120 mm	VME-14515053	386.01
	14522843	10787-12687	P-UB-10	80 mm	120 mm	VME-14515053	386.01
	14522844	10893-12687	P-UB-10	80 mm	120 mm	VME-14515053	386.01
	14563395	12688-	P-UB-10	80 mm	120 mm	VME-14515053	386.01
	14564129	12688-	P-UB-10	80 mm	120 mm	VME-14515053	386.01
DOZER BLADE	14507885	10001-;20001-	P-UB-10	90 mm	130 mm	VME-14517001	288.14
	14507886	10001-;20001-	P-UB-10	90 mm	130 mm	VME-14517001	288.14
QUICK-FIT	1171-90610	10001-10943	P-U-10	25 mm	50 mm	VME-14510910	138.48
	14522369	10944-	P-U-10	25 mm	50 mm	VME-14523116	112.31
MODEL EC160B LC, EC160B LNC							
BOOM	14517998	10001-11551	P-UB-10	75 mm	115 mm	VME-14519503	304.40
	14518003	10001-11551	P-UB-10	75 mm	115 mm	VME-14519503	304.40
	14564001	11552-	P-UB-10	75 mm	115 mm	VME-14519503	304.40
	14564007	11552-	P-UB-10	75 mm	115 mm	VME-14519503	304.40
BOOM (Adj 2nd)	14518890	10086-11551	P-UB-10	90 mm	160 mm	VME-14516934	375.57
	14521288	10086-11551	P-UB-10	90 mm	160 mm	VME-14516934	375.57
	14565677	11552-	P-UB-10	90 mm	160 mm	VME-14516934	375.57
	14564032	11552-	P-UB-10	90 mm	160 mm	VME-14516934	375.57
BUCKET	14518000	10001-10153	P-UB-10	75 mm	105 mm	VME-14519504	370.02
	14518290	10001-10153	P-UB-10	75 mm	105 mm	VME-14519504	370.02
	14523674	10154-11551	P-UB-10	75 mm	105 mm	VME-14519504	370.02
	14523675	10154-11551	P-UB-10	75 mm	105 mm	VME-14519504	370.02
	14564024	11552-	P-UB-10	75 mm	105 mm	VME-14519504	370.02
	14564030	11552-	P-UB-10	75 mm	105 mm	VME-14519504	370.02
DIPPER ARM	14517999	10001-11551	P-UB-10	80 mm	120 mm	VME-14519505	432.44
	14518289	10001-11551	P-UB-10	80 mm	120 mm	VME-14519505	432.44
	14564010	11552-	P-UB-10	80 mm	120 mm	VME-14519505	432.44
	14564016	11552-	P-UB-10	80 mm	120 mm	VME-14519505	432.44
DOZER BLADE	14515318	10001-99999	P-UB-10	95 mm	140 mm	VME-14519624	373.46
	14515319	10001-99999	P-UB-10	95 mm	140 mm	VME-14519624	373.46
QUICK-FIT	1171-90610	10001-10223	P-U-10	25 mm	50 mm	VME-14510910	138.48
	14522369	10224-	P-U-10	25 mm	50 mm	VME-14523116	112.31
	14522370	10224-	P-U-10	32 mm	70 mm	VME-14523132	174.68
MODEL EC160C L							
BOOM	14538693	120001-139999, 140001-140192	P-UB-10	75 mm	115 mm	VME-14589127	226.12
	14538693	120001-139999, 140001-140192	Bushing	75 mm		VME-9612-07540	42.39
	14549083	120001-139999, 140001-140192	P-UB-10	90 mm	160 mm	VME-14589123	292.58
	14549083	120001-139999, 140001-140192	Bushing	90 mm		VME-9612-09040	54.06
	14554983	120001-139999, 140001-140192	P-UB-10	75 mm	115 mm	VME-14589127	226.12
	14554983	120001-139999, 140001-140192	Bushing	75 mm		VME-9612-07540	42.39

LR - Long Reach SLF - Super Long Front QF - Quick Fit FS - Front Shovel MH - Material Handle AS - Articulate Slope

FORMERLY LISTED REPAIR PARTS ARE AVAILABLE ONLINE AT WWW.HERCULESUS.COM
OR BY CONTACTING YOUR REGIONAL HERCULES SALES TEAM.

Replacement Kits For

VOLVO

Excavators							
APPLICATION	CYL #	SERIAL #	CODE	ROD	BORE	KIT #	List \$
MODEL EC160C L							
BOOM	14554986	120001-139999, 140001-140192	P-UB-10	90 mm	160 mm	VME-14589123	292.58
	14554986	120001-139999, 140001-140192	Bushing	90 mm		VME-9612-09040	54.06
BUCKET	14538695	120001-139999, 140001-140192	P-UB-10	75 mm	105 mm	VME-14589128	168.90
	14538695	120001-139999, 140001-140192	Bushing	75 mm		VME-9612-07540	42.39
	14554985	120001-139999, 140001-140192	P-UB-10	75 mm	105 mm	VME-14589128	168.90
	14554985	120001-139999, 140001-140192	Bushing	75 mm		VME-9612-07540	42.39
DIPPER ARM	14538694	120001-139999, 140001-140192	P-UB-10	80 mm	120 mm	VME-14589124	432.44
	14554984	120001-139999, 140001-140192	P-UB-10	80 mm	120 mm	VME-14589124	432.44
DOZER BLADE	14538697	120001-139999, 140001-140192	P-UB-10	95 mm	140 mm	VME-14589126	259.61
	14538697	120001-139999, 140001-140192	Bushing	95 mm		VME-9612-09540	65.50
	14538698	120001-139999, 140001-140192	P-UB-10	95 mm	140 mm	VME-14589126	259.61
	14538698	120001-139999, 140001-140192	Bushing	95 mm		VME-9612-09540	65.50
QUICK-FIT	14522369	120001-139999, 140001-140192	P-U-10	25 mm	50 mm	VME-14523116	112.31
	14522370	120001-139999, 140001-140192	P-U-10	32 mm	70 mm	VME-14523132	174.68
MODEL EC160C NL							
BOOM	14538693	120001-139999, 140001-140192	P-UB-10	75 mm	115 mm	VME-14589127	226.12
	14538693	120001-139999, 140001-140192	Bushing	75 mm		VME-9612-07540	42.39
	14549083	120001-139999, 140001-140192	P-UB-10	90 mm	160 mm	VME-14589123	292.58
	14549083	120001-139999, 140001-140192	Bushing	90 mm		VME-9612-09040	54.06
	14554983	120001-139999, 140001-140192	P-UB-10	75 mm	115 mm	VME-14589127	226.12
	14554983	120001-139999, 140001-140192	Bushing	75 mm		VME-9612-07540	42.39
	14554986	120001-139999, 140001-140192	P-UB-10	90 mm	160 mm	VME-14589123	292.58
	14554986	120001-139999, 140001-140192	Bushing	90 mm		VME-9612-09040	54.06
BUCKET	14538695	120001-139999, 140001-140192	P-UB-10	75 mm	105 mm	VME-14589128	168.90
	14538695	120001-139999, 140001-140192	Bushing	75 mm		VME-9612-07540	42.39
	14554985	120001-139999, 140001-140192	P-UB-10	75 mm	105 mm	VME-14589128	168.90
	14554985	120001-139999, 140001-140192	Bushing	75 mm		VME-9612-07540	42.39
DIPPER ARM	14538694	120001-139999, 140001-140192	P-UB-10	80 mm	120 mm	VME-14589124	432.44
	14554984	120001-139999, 140001-140192	P-UB-10	80 mm	120 mm	VME-14589124	432.44
DOZER BLADE	14538697	120001-139999, 140001-140192	P-UB-10	95 mm	140 mm	VME-14589126	259.61
	14538697	120001-139999, 140001-140192	Bushing	95 mm		VME-9612-09540	65.50
	14538698	120001-139999, 140001-140192	P-UB-10	95 mm	140 mm	VME-14589126	259.61
	14538698	120001-139999, 140001-140192	Bushing	95 mm		VME-9612-09540	65.50
QUICK-FIT	14522369	120001-139999, 140001-140192	P-U-10	25 mm	50 mm	VME-14523116	112.31
	14522370	120001-139999, 140001-140192	P-U-10	32 mm	70 mm	VME-14523132	174.68
MODEL EC160D L							
BOOM	14538693	210001-210130, 220001-220673	P-UB-10	75 mm	115 mm	VME-14589127	226.12
	14538693	210001-210130, 220001-220673	Bushing	75 mm		VME-9612-07540	42.39
	14549083	210001-210130, 220001-220673	P-UB-10	90 mm	160 mm	VME-14589123	292.58
	14549083	210001-210130, 220001-220673	Bushing	90 mm		VME-9612-09040	54.06
BUCKET	14538695	210001-210130, 220001-220673	P-UB-10	75 mm	105 mm	VME-14589128	168.90
	14538695	210001-210130, 220001-220673	Bushing	75 mm		VME-9612-07540	42.39
DIPPER ARM	14617784	210001-210130, 220001-220673	P-UB-10	85 mm	120 mm	VME-14632918	234.59
	14617784	210001-210130, 220001-220673	Bushing	80 mm		VME-9612-08040	50.14
DOZER BLADE	14538697	210001-210130, 220001-220673	P-UB-10	95 mm	140 mm	VME-14589126	259.61
	14538697	210001-210130, 220001-220673	Bushing	95 mm		VME-9612-09540	65.50
	14538698	210001-210130, 220001-220673	P-UB-10	95 mm	140 mm	VME-14589126	259.61
	14538698	210001-210130, 220001-220673	Bushing	95 mm		VME-9612-09540	65.50
MODEL EC160E L							
BOOM	14538693	310001-314000, 314001-, 310001-323000, 323001-	P-UB-10	75 mm	115 mm	VME-14589127	226.12
	14538693	310001-314000, 314001-, 310001-323000, 323001-	Bushing	75 mm		VME-9612-07540	42.39
	14549083	310001-314000, 314001-, 310001-323000, 323001-	P-UB-10	90 mm	160 mm	VME-14589123	292.58

LR - Long Reach SLF - Super Long Front QF - Quick Fit FS - Front Shovel MH - Material Handle AS - Articulate Slope

VOLVO

Replacement Kits For

Excavators							
APPLICATION	CYL #	SERIAL #	CODE	ROD	BORE	KIT #	List \$
MODEL EC160E L							
BOOM	14549083	310001-314000, 314001-, 310001-323000, 323001-	Bushing	90 mm		VME-9612-09040	54.06
BUCKET	14538695	310001-314000, 314001-, 310001-323000, 323001-	P-UB-10	75 mm	105 mm	VME-14589128	168.90
	14538695	310001-314000, 314001-, 310001-323000, 323001-	Bushing	75 mm		VME-9612-07540	42.39
DIPPER ARM	14617784	310001-314000, 314001-, 310001-323000, 323001-	P-UB-10	85 mm	120 mm	VME-14632918	234.59
	14617784	310001-314000, 314001-, 310001-323000, 323001-	Bushing	80 mm		VME-9612-08040	50.14
DOZER BLADE	14538697	310001-314000, 314001-, 310001-323000, 323001-	P-UB-10	95 mm	140 mm	VME-14589126	259.61
	14538697	310001-314000, 314001-, 310001-323000, 323001-	Bushing	95 mm		VME-9612-09540	65.50
	14538698	310001-314000, 314001-, 310001-323000, 323001-	P-UB-10	95 mm	140 mm	VME-14589126	259.61
	14538698	310001-314000, 314001-, 310001-323000, 323001-	Bushing	95 mm		VME-9612-09540	65.50
MODEL EC200B							
ARM			P-UB-10	95 mm	135 mm	VME-14589131	502.50
BOOM			P-UB-10	80 mm	125 mm	VME-14589129	465.19
BUCKET			P-UB-10	80 mm	120 mm	VME-14589132	327.32
MODEL EC210B							
ARM	14512429	10001-12065;30001-30156	P-UB-10	95 mm	135 mm	VME-14515052	415.75
	14522908	12066-14998;20001-20073;30157-30792	P-UB-10	95 mm	135 mm	VME-14515052	415.75
	14523658	10001-14998;20001-20073;30001-30792	P-UB-10	95 mm	135 mm	VME-14515052	415.75
	14534547	14999-;30793-;20074-	P-UB-10	95 mm	135 mm	VME-14515052	415.75
	14535513	14999-;30793-;20074-	P-UB-10	95 mm	135 mm	VME-14515052	415.75
ARM (SLF)	14512432		P-UB-10	95 mm	135 mm	VME-14515052	415.75
	14514852		P-UB-10	95 mm	135 mm	VME-14515052	415.75
BOOM	14512428		P-UB-10	80 mm	125 mm	VME-14515051	379.11
	14524660		P-UB-10	80 mm	125 mm	VME-14515051	379.11
BOOM (SLF)	14512431		P-UB-10	105 mm	160 mm	VME-14514456	650.15
	14514853		P-UB-10	105 mm	160 mm	VME-14514456	650.15
BUCKET	14512430	10001-12065;30001-30156	P-UB-10	80 mm	120 mm	VME-14515053	386.01
	14523659	12066-;30157-	P-UB-10	80 mm	120 mm	VME-14515053	386.01
	14523664	10001-12065;12066-;30001-30156;30157-	P-UB-10	80 mm	120 mm	VME-14515053	386.01
BUCKET (SLF)	14522846	12066-;30157-	P-UB-10	70 mm	100 mm	VME-14547310	346.38
	14522900	12066-;30157-	P-UB-10	70 mm	100 mm	VME-14547310	346.38
MODEL EC210C L							
BOOM	14534531	110001-119999, 120001-129999	P-UB-10	80 mm	125 mm	VME-14515051	379.11
	14550417	110001-119999, 120001-129999	P-UB-10	105 mm	160 mm	VME-14514456	650.15
	14554977	110001-119999, 120001-129999	P-UB-10	80 mm	125 mm	VME-14515051	379.11
	14554980	110001-119999, 120001-129999	P-UB-10	105 mm	160 mm	VME-14514456	650.15
BUCKET	14534533	110001-119999, 120001-129999	P-UB-10	80 mm	120 mm	VME-14515053	386.01
	14536165	110001-119999, 120001-129999	P-UB-10	90 mm	130 mm	VME-14514454	440.87
	14536959	110001-119999, 120001-129999	P-UB-10	70 mm	100 mm	VME-14551098	210.91
	14554979	110001-119999, 120001-129999	P-UB-10	80 mm	120 mm	VME-14515053	386.01
	14554982	110001-119999, 120001-129999	P-UB-10	70 mm	100 mm	VME-14551098	210.91
	14556575	110001-119999, 120001-129999	P-UB-10	90 mm	130 mm	VME-14514454	440.87
DIPPER ARM	14534532	110001-119999, 120001-129999	P-UB-10	95 mm	135 mm	VME-14515052	415.75
	14535789	110001-119999, 120001-129999	P-UB-10	95 mm	135 mm	VME-14515052	415.75
	14554978	110001-119999, 120001-129999	P-UB-10	95 mm	135 mm	VME-14515052	415.75
	14554981	110001-119999, 120001-129999	P-UB-10	95 mm	135 mm	VME-14515052	415.75
MODEL EC210C LR							
BOOM	14534531	110001-119999, 120001-129999	P-UB-10	80 mm	125 mm	VME-14515051	379.11
	14550417	110001-119999, 120001-129999	P-UB-10	105 mm	160 mm	VME-14514456	650.15

LR - Long Reach

SLF - Super Long Front

QF - Quick Fit

FS - Front Shovel

MH - Material Handle

AS - Articulate Slope

FORMERLY LISTED REPAIR PARTS ARE AVAILABLE ONLINE AT WWW.HERCULESUS.COM
OR BY CONTACTING YOUR REGIONAL HERCULES SALES TEAM.

Replacement Kits For

VOLVO

Excavators								
APPLICATION	CYL #	SERIAL #	CODE	ROD	BORE	KIT #	List \$	
MODEL EC210C LR								
BOOM	14554977	110001-119999, 120001-129999	P-UB-10	80 mm	125 mm	VME-14515051	379.11	
	14554980	110001-119999, 120001-129999	P-UB-10	105 mm	160 mm	VME-14514456	650.15	
MODEL EC210C N								
BOOM	14534531	110001-119999, 120001-129999	P-UB-10	80 mm	125 mm	VME-14515051	379.11	
	14550417	110001-119999, 120001-129999	P-UB-10	105 mm	160 mm	VME-14514456	650.15	
	14554977	110001-119999, 120001-129999	P-UB-10	80 mm	125 mm	VME-14515051	379.11	
	14554980	110001-119999, 120001-129999	P-UB-10	105 mm	160 mm	VME-14514456	650.15	
BUCKET	14534533	110001-119999, 120001-129999	P-UB-10	80 mm	120 mm	VME-14515053	386.01	
	14536165	110001-119999, 120001-129999	P-UB-10	90 mm	130 mm	VME-14514454	440.87	
	14536959	110001-119999, 120001-129999	P-UB-10	70 mm	100 mm	VME-14551098	210.91	
	14554979	110001-119999, 120001-129999	P-UB-10	80 mm	120 mm	VME-14515053	386.01	
	14554982	110001-119999, 120001-129999	P-UB-10	70 mm	100 mm	VME-14551098	210.91	
	14556575	110001-119999, 120001-129999	P-UB-10	90 mm	130 mm	VME-14514454	440.87	
	DIPPER ARM	14534532	110001-119999, 120001-129999	P-UB-10	95 mm	135 mm	VME-14515052	415.75
14535789		110001-119999, 120001-129999	P-UB-10	95 mm	135 mm	VME-14515052	415.75	
14554978		110001-119999, 120001-129999	P-UB-10	95 mm	135 mm	VME-14515052	415.75	
14554981		110001-119999, 120001-129999	P-UB-10	95 mm	135 mm	VME-14515052	415.75	
MODEL EC210C NL								
BOOM	14534531	110001-119999, 120001-129999	P-UB-10	80 mm	125 mm	VME-14515051	379.11	
	14554977	110001-119999, 120001-129999	P-UB-10	80 mm	125 mm	VME-14515051	379.11	
BUCKET	14534533	110001-119999, 120001-129999	P-UB-10	80 mm	120 mm	VME-14515053	386.01	
	14536165	110001-119999, 120001-129999	P-UB-10	90 mm	130 mm	VME-14514454	440.87	
	14536959	110001-119999, 120001-129999	P-UB-10	70 mm	100 mm	VME-14551098	210.91	
	14554979	110001-119999, 120001-129999	P-UB-10	80 mm	120 mm	VME-14515053	386.01	
	14554982	110001-119999, 120001-129999	P-UB-10	70 mm	100 mm	VME-14551098	210.91	
	14556575	110001-119999, 120001-129999	P-UB-10	90 mm	130 mm	VME-14514454	440.87	
	DIPPER ARM	14534532	110001-119999, 120001-129999	P-UB-10	95 mm	135 mm	VME-14515052	415.75
14535789		110001-119999, 120001-129999	P-UB-10	95 mm	135 mm	VME-14515052	415.75	
14554978		110001-119999, 120001-129999	P-UB-10	95 mm	135 mm	VME-14515052	415.75	
14554981		110001-119999, 120001-129999	P-UB-10	95 mm	135 mm	VME-14515052	415.75	
MODEL EC220D L								
BOOM	14598026	210001-210889;220001-221458;230001-230418;231001-;240001-;245001-;260001-260111;270001-;280001-	P-UB-10	95 mm	160 mm	VME-14610398	218.87	
	14598026	210001-210889;220001-221458;230001-230418;231001-;240001-;245001-;260001-260111;270001-;280001-	Bushing	95 mm		VME-9612-09540	65.50	
	14615025	210001-210889;220001-221458;230001-230418;231001-;240001-;245001-;260001-260111;270001-;280001-	P-UB-10	85 mm	125 mm	VME-14683841	319.21	
	14615025	210001-210889;220001-221458;230001-230418;231001-;240001-;245001-;260001-260111;270001-;280001-	Bushing	85 mm		VME-9612-08540	52.10	
BUCKET	14534533	210001-210889;220001-221458;230001-230418;231001-;240001-;245001-;260001-260111;270001-;280001-	P-UB-10	80 mm	120 mm	VME-14589132	327.32	
	14534533	210001-210889;220001-221458;230001-230418;231001-;240001-;245001-;260001-260111;270001-;280001-	Bushing	80 mm		VME-9612-08040	50.14	
	14563995	210001-210889;220001-221458;230001-230418;231001-;240001-;245001-;260001-260111;270001-;280001-	P-UB-10	90 mm	130 mm	VME-14589133	573.68	
	14563995	210001-210889;220001-221458;230001-230418;231001-;240001-;245001-;260001-260111;270001-;280001-	Bushing	90 mm		VME-9612-09040	54.06	
	14620259	210001-210889;220001-221458;230001-230418;231001-;240001-;245001-;260001-260111;270001-;280001-	P-UB-10	70 mm	100 mm	VME-14589125	210.91	

LR - Long Reach SLF - Super Long Front QF - Quick Fit FS - Front Shovel MH - Material Handle AS - Articulate Slope

Replacement Kits For

VOLVO

VOLVO

Excavators							
APPLICATION	CYL #	SERIAL #	CODE	ROD	BORE	KIT #	List \$
MODEL EC220D L							
BUCKET	14620259	210001-210889;220001-221458;230001-230418;231001-;240001-;245001-;260001-260111;270001-;280001-	Bushing	70 mm		VME-9612-07040	38.77
DIPPER ARM	14534532	210001-210889;220001-221458;230001-230418;231001-;240001-;245001-;260001-260111;270001-;280001-	P-UB-10	95 mm	135 mm	VME-14589131	502.50
	14534532	210001-210889;220001-221458;230001-230418;231001-;240001-;245001-;260001-260111;270001-;280001-	Bushing	95 mm		VME-9612-09540	65.50
	14535789	210001-210889;220001-221458;230001-230418;231001-;240001-;245001-;260001-260111;270001-;280001-	P-UB-10	95 mm	135 mm	VME-14589131	502.50
	14535789	210001-210889;220001-221458;230001-230418;231001-;240001-;245001-;260001-260111;270001-;280001-	Bushing	95 mm		VME-9612-09540	65.50
MODEL EC220E L							
BOOM	14598026	310001-314000, 314001-, 320001-323000, 323001-	P-UB-10	95 mm	160 mm	VME-14610398	218.87
	14598026	310001-314000, 314001-, 320001-323000, 323001-	Bushing	95 mm		VME-9612-09540	65.50
	14615025	310001-314000, 314001-, 320001-323000, 323001-	P-UB-10	85 mm	125 mm	VME-14683841	319.21
	14615025	310001-314000, 314001-, 320001-323000, 323001-	Bushing	85 mm		VME-9612-08540	52.10
BUCKET	14534533	310001-314000, 314001-, 320001-323000, 323001-	P-UB-10	80 mm	120 mm	VME-14589132	327.32
	14534533	310001-314000, 314001-, 320001-323000, 323001-	Bushing	80 mm		VME-9612-08040	50.14
	14563995	310001-314000, 314001-, 320001-323000, 323001-	P-UB-10	90 mm	130 mm	VME-14589133	573.68
	14563995	310001-314000, 314001-, 320001-323000, 323001-	Bushing	90 mm		VME-9612-09040	54.06
	14620259	310001-314000, 314001-, 320001-323000, 323001-	P-UB-10	70 mm	100 mm	VME-14589125	210.91
	14620259	310001-314000, 314001-, 320001-323000, 323001-	Bushing	70 mm		VME-9612-07040	38.77
DIPPER ARM	14534532	310001-314000, 314001-, 320001-323000, 323001-	P-UB-10	95 mm	135 mm	VME-14589131	502.50
	14534532	310001-314000, 314001-, 320001-323000, 323001-	Bushing	95 mm		VME-9612-09540	65.50
	14535789	310001-314000, 314001-, 320001-323000, 323001-	P-UB-10	95 mm	135 mm	VME-14589131	502.50
	14535789	310001-314000, 314001-, 320001-323000, 323001-	Bushing	95 mm		VME-9612-09540	65.50
MODEL EC230B							
BOOM (FS)	142508811	0-4655	P-UB-11	105 mm	160 mm	VME-11997089-5	1168.23
	142654656	4656-	P-UB-11	105 mm	160 mm	VME-11997089-5	1168.23
BOOM (MH)	142479005	0-4655	P-UB-11	105 mm	160 mm	VME-11997089-5	1168.23
	142654649	4656-	P-UB-11	105 mm	160 mm	VME-11997089-5	1168.23
BUCKET	142508902	0-4655	P-UB-14	90 mm	140 mm	VME-11997091-1	930.34
	142654664	4656-	P-UB-14	90 mm	140 mm	VME-11997091-1	930.34
BUCKET (AS)	142459759		P-U-14	50 mm	70 mm	VME-11997227	331.16
BUCKET (QF)	142357003	0-4465	P-UB-10	32 mm	70 mm	VME-11999887	192.75
	142616416	4466-	P-UB-10	32 mm	70 mm	VME-11999887	192.75
DIPPER ARM	140533530		P-UB-14	105 mm	150 mm	VME-11997226	808.61
KNUCKLE	142654680	ALL	P-UB-11	105 mm	160 mm	VME-11997089-5	1168.23
KNUCKLE (FS)	140533357		P-UB-15	80 mm	125 mm	VME-11997225	549.62
MODEL EC240B							
ARM	14510809	10001-10841	P-UB-10	100 mm	140 mm	VME-14514457	593.57
	14510810	10001-	P-UB-10	100 mm	140 mm	VME-14514457	593.57

LR - Long Reach SLF - Super Long Front QF - Quick Fit FS - Front Shovel MH - Material Handle AS - Articulate Slope

FORMERLY LISTED REPAIR PARTS ARE AVAILABLE ONLINE AT WWW.HERCULESUS.COM
OR BY CONTACTING YOUR REGIONAL HERCULES SALES TEAM.

VOLVO

Replacement Kits For

Excavators							
APPLICATION	CYL #	SERIAL #	CODE	ROD	BORE	KIT #	List \$
MODEL EC240B							
ARM	14514829	10001-	P-UB-10	100 mm	140 mm	VME-14514457	593.57
	14514837	10001-10841	P-UB-10	100 mm	140 mm	VME-14514457	593.57
	14521659	10842-12112	P-UB-10	100 mm	140 mm	VME-14514457	593.57
	14521758	10842-12112	P-UB-10	100 mm	140 mm	VME-14514457	593.57
	14535044	12113-	P-UB-10	100 mm	140 mm	VME-14514457	593.57
	14536159	12113-	P-UB-10	100 mm	140 mm	VME-14514457	593.57
BOOM	14510808	10001-12641- INT;80001-EU,NA	P-UB-10	90 mm	135 mm	VME-14514455	637.37
	14510811	10001-12641- INT;80001-EU,NA	P-UB-10	105 mm	160 mm	VME-14514456	650.15
	14514827	10001-12641- INT;80001-EU,NA	P-UB-10	105 mm	160 mm	VME-14514456	650.15
	14514840	10001-12641- INT;80001-EU,NA	P-UB-10	90 mm	135 mm	VME-14514455	637.37
	14530665	10001-12641- INT;80001-EU,NA	P-UB-10	90 mm	135 mm	VME-14514455	637.37
	14541247	10001-12641- INT;80001-EU,NA	P-UB-10	90 mm	135 mm	VME-14514455	637.37
BUCKET	14514833	10001-12641- INT;80001-EU,NA	P-UB-10	90 mm	130 mm	VME-14514454	440.87
	14523665	10001-12641- INT;80001-EU,NA	P-UB-10	90 mm	130 mm	VME-14514454	440.87
	14523666	10001-12641- INT;80001-EU,NA	P-UB-10	90 mm	130 mm	VME-14514454	440.87
MODEL EC240B FX							
BOOM	14510808	10001-12786;30001-30243	P-UB-10	90 mm	135 mm	VME-14514455	637.37
	14514840	10001-12786;30001-30243	P-UB-10	90 mm	135 mm	VME-14514455	637.37
	14530665	12787-13234;30244-;80001-81034	P-UB-10	90 mm	135 mm	VME-14514455	637.37
	14541247	12787-13234;30244-;80001-81034	P-UB-10	90 mm	135 mm	VME-14514455	637.37
	14563900	13235-;81035-	P-UB-10	90 mm	135 mm	VME-14514455	637.37
	14563929	13235-;81035-	P-UB-10	90 mm	135 mm	VME-14514455	637.37
BOOM (Adj 2nd)	14510811	12641-13234;80001-81034	P-UB-10	105 mm	160 mm	VME-14514456	650.15
	14514827	12641-13234;80001-81034	P-UB-10	105 mm	160 mm	VME-14514456	650.15
	14563950	13235-;81035-	P-UB-10	105 mm	160 mm	VME-14514456	650.15
	14563956	13235-;81035-	P-UB-10	105 mm	160 mm	VME-14514456	650.15
BUCKET	14504187	10001-10973	P-UB-10	90 mm	130 mm	VME-14514454	440.87
	14514833	10001-10973	P-UB-10	90 mm	130 mm	VME-14514454	440.87
	14523665	10974-12768;30001-30243	P-UB-10	90 mm	130 mm	VME-14514454	440.87
	14541237	12787-13234;80001-81034;30244-	P-UB-10	90 mm	130 mm	VME-14514454	440.87
	14541267	10974-12729;12787-13234;30001-30243;30244-;80001-81034	P-UB-10	90 mm	130 mm	VME-14514454	440.87
	14563959	13235-;81035-	P-UB-10	90 mm	130 mm	VME-14514454	440.87
	14563965	13235-;81035-	P-UB-10	90 mm	130 mm	VME-14514454	440.87
BUCKET (LR)	14510883	10001-10973	P-UB-10	70 mm	100 mm	VME-14547310	346.38
	14514560	10001-10973	P-UB-10	70 mm	100 mm	VME-14547310	346.38
	14522846	10974-13234;80001-81034;30001-	P-UB-10	70 mm	100 mm	VME-14547310	346.38
	14522900	10974-13234;80001-81034;30001-	P-UB-10	70 mm	100 mm	VME-14547310	346.38
	14564132	13235-;81035-	P-UB-10	70 mm	100 mm	VME-14547310	346.38
DIPPER ARM	14564139	13235-;81035-	P-UB-10	70 mm	100 mm	VME-14547310	346.38
	14510809	10001-10841	P-UB-10	100 mm	140 mm	VME-14514457	593.57
	14510810	12641-13234;80001-81034	P-UB-10	100 mm	140 mm	VME-14514457	593.57
	14514829	12641-13234;80001-81034	P-UB-10	100 mm	140 mm	VME-14514457	593.57
	14514837	10001-10841	P-UB-10	100 mm	140 mm	VME-14514457	593.57
	14521659	10842-12112	P-UB-10	100 mm	140 mm	VME-14514457	593.57
	14521758	10842-12112	P-UB-10	100 mm	140 mm	VME-14514457	593.57
	14535044	12113-13234;80001-81034	P-UB-10	100 mm	140 mm	VME-14514457	593.57
	14536159	12113-13234;80001-81034	P-UB-10	100 mm	140 mm	VME-14514457	593.57
	14563932	13235-;81035-	P-UB-10	100 mm	140 mm	VME-14514457	593.57
	14563938	13235-;81035-	P-UB-10	100 mm	140 mm	VME-14514457	593.57
	14563941	13235-;81035-	P-UB-10	100 mm	140 mm	VME-14514457	593.57
	14563947	13235-;81035-	P-UB-10	100 mm	140 mm	VME-14514457	593.57
QUICK-FIT	14522370	11090-	P-U-10	32 mm	70 mm	VME-14523132	174.68
MODEL EC240B LC							
BOOM	14510808	10001-12786;30001-30243	P-UB-10	90 mm	135 mm	VME-14514455	637.37

LR - Long Reach SLF - Super Long Front QF - Quick Fit FS - Front Shovel MH - Material Handle AS - Articulate Slope

VOLVO

Replacement Kits For

Excavators									
APPLICATION	CYL #	SERIAL #	CODE	ROD	BORE	KIT #	List \$		
MODEL EC240B LC									
BOOM	14514840	10001-12786;30001-30243	P-UB-10	90 mm	135 mm	VME-14514455	637.37		
	14530665	12787-13235;30244-;80001-81034	P-UB-10	90 mm	135 mm	VME-14514455	637.37		
	14541247	12787-13235;30244-;80001-81034	P-UB-10	90 mm	135 mm	VME-14514455	637.37		
	14563900	13235-;81035-	P-UB-10	90 mm	135 mm	VME-14514455	637.37		
	14563929	13235-;81035-	P-UB-10	90 mm	135 mm	VME-14514455	637.37		
BOOM (Adj 2nd)	14510811	10001-13234;30001-30258;80001-81034	P-UB-10	105 mm	160 mm	VME-14514456	650.15		
	14514827	10001-13234;30001-30258;80001-81034	P-UB-10	105 mm	160 mm	VME-14514456	650.15		
	14563950	13235-;81035-	P-UB-10	105 mm	160 mm	VME-14514456	650.15		
	14563956	13235-;81035-	P-UB-10	105 mm	160 mm	VME-14514456	650.15		
BUCKET	14504187	10001-10973	P-UB-10	90 mm	130 mm	VME-14514454	440.87		
	14514833	10001-10973	P-UB-10	90 mm	130 mm	VME-14514454	440.87		
	14523665	10974-12786;30001-30243	P-UB-10	90 mm	130 mm	VME-14514454	440.87		
	14541237	12787-13234;30244-;80001-81034	P-UB-10	90 mm	130 mm	VME-14514454	440.87		
	14541267	10974-12729;12787-13234;30001-30243;30244-;80001-81034	P-UB-10	90 mm	130 mm	VME-14514454	440.87		
	14563959	13235-;81035-	P-UB-10	90 mm	130 mm	VME-14514454	440.87		
	14563965	13235-;81035-	P-UB-10	90 mm	130 mm	VME-14514454	440.87		
BUCKET (LR)	14510883	10001-10973	P-UB-10	70 mm	100 mm	VME-14547310	346.38		
	14514560	10001-10973	P-UB-10	70 mm	100 mm	VME-14547310	346.38		
	14522846	10974-13234;30001-;80001-81034	P-UB-10	70 mm	100 mm	VME-14547310	346.38		
	14522900	10974-13234;30001-;80001-81034	P-UB-10	70 mm	100 mm	VME-14547310	346.38		
	14564132	13235-;81035-	P-UB-10	70 mm	100 mm	VME-14547310	346.38		
	14564139	13235-;81035-	P-UB-10	70 mm	100 mm	VME-14547310	346.38		
DIPPER ARM	14510809	10001-10841	P-UB-10	100 mm	140 mm	VME-14514457	593.57		
	14510810	10001-13234;30001-30258;80001-81034	P-UB-10	100 mm	140 mm	VME-14514457	593.57		
	14514829	10001-13234;30001-30258;80001-81034	P-UB-10	100 mm	140 mm	VME-14514457	593.57		
	14514837	10001-10841	P-UB-10	100 mm	140 mm	VME-14514457	593.57		
	14521659	10842-12112	P-UB-10	100 mm	140 mm	VME-14514457	593.57		
	14521758	10842-12112	P-UB-10	100 mm	140 mm	VME-14514457	593.57		
	14535044	12113-13234;80001-81034	P-UB-10	100 mm	140 mm	VME-14514457	593.57		
	14536159	12113-13234;80001-81034	P-UB-10	100 mm	140 mm	VME-14514457	593.57		
	14563932	13235-;81035-	P-UB-10	100 mm	140 mm	VME-14514457	593.57		
	14563938	13235-;81035-	P-UB-10	100 mm	140 mm	VME-14514457	593.57		
	14563941	13235-;81035-	P-UB-10	100 mm	140 mm	VME-14514457	593.57		
	14563947	13235-;81035-	P-UB-10	100 mm	140 mm	VME-14514457	593.57		
	QUICK-FIT	14522370	11090-	P-U-10	32 mm	70 mm	VME-14523132	174.68	
	MODEL EC240B LR, EC240B NLC								
BOOM	14510808	10001-12786;30001-30243	P-UB-10	90 mm	135 mm	VME-14514455	637.37		
	14514840	10001-12786;30001-30243	P-UB-10	90 mm	135 mm	VME-14514455	637.37		
	14530665	12787-13234;30244-;80001-81034	P-UB-10	90 mm	135 mm	VME-14514455	637.37		
	14541247	12787-13234;30244-;80001-81034	P-UB-10	90 mm	135 mm	VME-14514455	637.37		
	14563900	13235-;81035-	P-UB-10	90 mm	135 mm	VME-14514455	637.37		
	14563929	13235-;81035-	P-UB-10	90 mm	135 mm	VME-14514455	637.37		
	BOOM (Adj 2nd)	14510811	10001-13234;30001-30258;80001-81034	P-UB-10	105 mm	160 mm	VME-14514456	650.15	
14514827		10001-13234;30001-30258;80001-81034	P-UB-10	105 mm	160 mm	VME-14514456	650.15		
14563950		13235-;81035-	P-UB-10	105 mm	160 mm	VME-14514456	650.15		
14563956		13235-;81035-	P-UB-10	105 mm	160 mm	VME-14514456	650.15		
BUCKET	14504187	10001-10973	P-UB-10	90 mm	130 mm	VME-14514454	440.87		
	14514833	10001-10973	P-UB-10	90 mm	130 mm	VME-14514454	440.87		
	14523665	10974-12786;30001-30243	P-UB-10	90 mm	130 mm	VME-14514454	440.87		
	14541237	12787-13234;30244-;80001-81034	P-UB-10	90 mm	130 mm	VME-14514454	440.87		
	14541267	10974-12729;12787-13234;30001-30243;30244-;80001-81034	P-UB-10	90 mm	130 mm	VME-14514454	440.87		
	14563959	13235-;81035-	P-UB-10	90 mm	130 mm	VME-14514454	440.87		
	14563965	13235-;81035-	P-UB-10	90 mm	130 mm	VME-14514454	440.87		

LR - Long Reach SLF - Super Long Front QF - Quick Fit FS - Front Shovel MH - Material Handle AS - Articulate Slope

FORMERLY LISTED REPAIR PARTS ARE AVAILABLE ONLINE AT WWW.HERCULESUS.COM
OR BY CONTACTING YOUR REGIONAL HERCULES SALES TEAM.

VOLVO

Replacement Kits For

Excavators							
APPLICATION	CYL #	SERIAL #	CODE	ROD	BORE	KIT #	List \$
MODEL EC240B LR, EC240B NLC							
BUCKET (LR)	14510883	10001-10973	P-UB-10	70 mm	100 mm	VME-14547310	346.38
	14514560	10001-10973	P-UB-10	70 mm	100 mm	VME-14547310	346.38
	14522846	10974-13234;30001-;80001-81034	P-UB-10	70 mm	100 mm	VME-14547310	346.38
	14522900	10974-13234;30001-;80001-81034	P-UB-10	70 mm	100 mm	VME-14547310	346.38
	14564132	13235-;81035-	P-UB-10	70 mm	100 mm	VME-14547310	346.38
	14564139	13235-;81035-	P-UB-10	70 mm	100 mm	VME-14547310	346.38
DIPPER ARM	14510809	10001-10841	P-UB-10	100 mm	140 mm	VME-14514457	593.57
	14510810	10001-13234;30001-30258;80001-81034	P-UB-10	100 mm	140 mm	VME-14514457	593.57
	14514829	10001-13234;30001-30258;80001-81034	P-UB-10	100 mm	140 mm	VME-14514457	593.57
	14514837	10001-10841	P-UB-10	100 mm	140 mm	VME-14514457	593.57
	14521659	10842-12112	P-UB-10	100 mm	140 mm	VME-14514457	593.57
	14521758	10842-12112	P-UB-10	100 mm	140 mm	VME-14514457	593.57
	14535044	12113-13234;80001-81034	P-UB-10	100 mm	140 mm	VME-14514457	593.57
	14536159	12113-13234;80001-81034	P-UB-10	100 mm	140 mm	VME-14514457	593.57
	14563932	13235-;81035-	P-UB-10	100 mm	140 mm	VME-14514457	593.57
	14563938	13235-;81035-	P-UB-10	100 mm	140 mm	VME-14514457	593.57
	14563941	13235-;81035-	P-UB-10	100 mm	140 mm	VME-14514457	593.57
	14563947	13235-;81035-	P-UB-10	100 mm	140 mm	VME-14514457	593.57
	QUICK-FIT	14522370	11090-	P-U-10	32 mm	70 mm	VME-14523132
MODEL EC240C L							
BOOM	14551710	110001-120001	P-UB-10	90 mm	135 mm	VME-14589134	587.96
	14551713	110001-120001	P-UB-10	105 mm	160 mm	VME-14589130	364.25
	14551713	110001-120001	Bushing	105 mm		VME-9612-10540	65.14
	14551715	110001-120001	P-UB-10	90 mm	135 mm	VME-14589134	587.96
	14551718	110001-120001	P-UB-10	105 mm	160 mm	VME-14589130	364.25
	14551718	110001-120001	Bushing	105 mm		VME-9612-10540	65.14
BUCKET	14550919	110001-120001	P-UB-10	70 mm	100 mm	VME-14589125	210.91
	14550919	110001-120001	Bushing	70 mm		VME-9612-07040	38.77
	14551353	110001-120001	P-UB-10	70 mm	100 mm	VME-14589125	210.91
	14551353	110001-120001	Bushing	70 mm		VME-9612-07040	38.77
	14551712	110001-120001	P-UB-10	90 mm	130 mm	VME-14589133	573.68
	14551712	110001-120001	Bushing	90 mm		VME-9612-09040	54.06
	14551717	110001-120001	P-UB-10	90 mm	130 mm	VME-14589133	573.68
	14551717	110001-120001	Bushing	90 mm		VME-9612-09040	54.06
DIPPER ARM	14551416	110001-120001	P-UB-10	100 mm	140 mm	VME-14589135	420.33
	14551416	110001-120001	Bushing	100 mm		VME-9612-10040	57.64
	14551711	110001-120001	P-UB-10	100 mm	140 mm	VME-14589135	420.33
	14551711	110001-120001	Bushing	100 mm		VME-9612-10040	57.64
	14551714	110001-120001	P-UB-10	100 mm	140 mm	VME-14589135	420.33
	14551714	110001-120001	Bushing	100 mm		VME-9612-10040	57.64
	14551719	110001-120001	P-UB-10	100 mm	140 mm	VME-14589135	420.33
	14551719	110001-120001	Bushing	100 mm		VME-9612-10040	57.64
QUICK-FIT	14522370	110001-120001	P-U-10	32 mm	70 mm	VME-14523132	174.68
MODEL EC240C LD							
BOOM	14551710	110001-120001	P-UB-10	90 mm	135 mm	VME-14589134	587.96
	14551713	110001-120001	P-UB-10	105 mm	160 mm	VME-14589130	364.25
	14551713	110001-120001	Bushing	105 mm		VME-9612-10540	65.14
	14551715	110001-120001	P-UB-10	90 mm	135 mm	VME-14589134	587.96
	14551718	110001-120001	P-UB-10	105 mm	160 mm	VME-14589130	364.25
	14551718	110001-120001	Bushing	105 mm		VME-9612-10540	65.14
BUCKET	14550919	110001-120001	P-UB-10	70 mm	100 mm	VME-14589125	210.91
	14550919	110001-120001	Bushing	70 mm		VME-9612-07040	38.77
	14551353	110001-120001	P-UB-10	70 mm	100 mm	VME-14589125	210.91
	14551353	110001-120001	Bushing	70 mm		VME-9612-07040	38.77
	14551712	110001-120001	P-UB-10	90 mm	130 mm	VME-14589133	573.68

LR - Long Reach SLF - Super Long Front QF - Quick Fit FS - Front Shovel MH - Material Handle AS - Articulate Slope

VOLVO

Replacement Kits For

Excavators								
APPLICATION	CYL #	SERIAL #	CODE	ROD	BORE	KIT #	List \$	
MODEL EC240C LD								
BUCKET	14551712	110001-120001	Bushing	90 mm		VME-9612-09040	54.06	
	14551717	110001-120001	P-UB-10	90 mm	130 mm	VME-14589133	573.68	
	14551717	110001-120001	Bushing	90 mm		VME-9612-09040	54.06	
DIPPER ARM	14551416	110001-120001	P-UB-10	100 mm	140 mm	VME-14589135	420.33	
	14551416	110001-120001	Bushing	100 mm		VME-9612-10040	57.64	
	14551711	110001-120001	P-UB-10	100 mm	140 mm	VME-14589135	420.33	
	14551711	110001-120001	Bushing	100 mm		VME-9612-10040	57.64	
	14551714	110001-120001	P-UB-10	100 mm	140 mm	VME-14589135	420.33	
	14551714	110001-120001	Bushing	100 mm		VME-9612-10040	57.64	
	14551719	110001-120001	P-UB-10	100 mm	140 mm	VME-14589135	420.33	
	14551719	110001-120001	Bushing	100 mm		VME-9612-10040	57.64	
QUICK-FIT	14522370	110001-120001	P-U-10	32 mm	70 mm	VME-14523132	174.68	
MODEL EC240C LR								
BOOM	14551710	110001-120001	P-UB-10	90 mm	135 mm	VME-14589134	587.96	
	14551715	110001-120001	P-UB-10	90 mm	135 mm	VME-14589134	587.96	
BUCKET	14550919	110001-120001	P-UB-10	70 mm	100 mm	VME-14589125	210.91	
	14550919	110001-120001	Bushing	70 mm		VME-9612-07040	38.77	
	14551353	110001-120001	P-UB-10	70 mm	100 mm	VME-14589125	210.91	
	14551353	110001-120001	Bushing	70 mm		VME-9612-07040	38.77	
	14551712	110001-120001	P-UB-10	90 mm	130 mm	VME-14589133	573.68	
	14551712	110001-120001	Bushing	90 mm		VME-9612-09040	54.06	
	14551717	110001-120001	P-UB-10	90 mm	130 mm	VME-14589133	573.68	
	14551717	110001-120001	Bushing	90 mm		VME-9612-09040	54.06	
DIPPER ARM	14551416	110001-120001	P-UB-10	100 mm	140 mm	VME-14589135	420.33	
	14551416	110001-120001	Bushing	100 mm		VME-9612-10040	57.64	
	14551711	110001-120001	P-UB-10	100 mm	140 mm	VME-14589135	420.33	
	14551711	110001-120001	Bushing	100 mm		VME-9612-10040	57.64	
	14551714	110001-120001	P-UB-10	100 mm	140 mm	VME-14589135	420.33	
	14551714	110001-120001	Bushing	100 mm		VME-9612-10040	57.64	
	14551719	110001-120001	P-UB-10	100 mm	140 mm	VME-14589135	420.33	
	14551719	110001-120001	Bushing	100 mm		VME-9612-10040	57.64	
QUICK-FIT	14522370	110001-120001	P-U-10	32 mm	70 mm	VME-14523132	174.68	
MODEL EC240C NL								
BOOM	14551710	110001-120001	P-UB-10	90 mm	135 mm	VME-14589134	587.96	
	14551713	110001-120001	P-UB-10	105 mm	160 mm	VME-14589130	364.25	
	14551713	110001-120001	Bushing	105 mm		VME-9612-10540	65.14	
	14551715	110001-120001	P-UB-10	90 mm	135 mm	VME-14589134	587.96	
	14551718	110001-120001	P-UB-10	105 mm	160 mm	VME-14589130	364.25	
	14551718	110001-120001	Bushing	105 mm		VME-9612-10540	65.14	
BUCKET	14550919	110001-120001	P-UB-10	70 mm	100 mm	VME-14589125	210.91	
	14550919	110001-120001	Bushing	70 mm		VME-9612-07040	38.77	
	14551353	110001-120001	P-UB-10	70 mm	100 mm	VME-14589125	210.91	
	14551353	110001-120001	Bushing	70 mm		VME-9612-07040	38.77	
	14551712	110001-120001	P-UB-10	90 mm	130 mm	VME-14589133	573.68	
	14551712	110001-120001	Bushing	90 mm		VME-9612-09040	54.06	
	14551714	110001-120001	P-UB-10	100 mm	140 mm	VME-14589135	420.33	
	14551714	110001-120001	Bushing	100 mm		VME-9612-10040	57.64	
	14551717	110001-120001	P-UB-10	90 mm	130 mm	VME-14589133	573.68	
	14551717	110001-120001	Bushing	90 mm		VME-9612-09040	54.06	
	14551719	110001-120001	P-UB-10	100 mm	140 mm	VME-14589135	420.33	
	14551719	110001-120001	Bushing	100 mm		VME-9612-10040	57.64	
	DIPPER ARM	14551711	110001-120001	P-UB-10	100 mm	140 mm	VME-14589135	420.33
14551711		110001-120001	Bushing	100 mm		VME-9612-10040	57.64	
14551714		110001-120001	P-UB-10	100 mm	140 mm	VME-14589135	420.33	
14551714		110001-120001	Bushing	100 mm		VME-9612-10040	57.64	

LR - Long Reach SLF - Super Long Front QF - Quick Fit FS - Front Shovel MH - Material Handle AS - Articulate Slope

FORMERLY LISTED REPAIR PARTS ARE AVAILABLE ONLINE AT WWW.HERCULESUS.COM
OR BY CONTACTING YOUR REGIONAL HERCULES SALES TEAM.

Replacement Kits For

VOLVO

Excavators								
APPLICATION	CYL #	SERIAL #	CODE	ROD	BORE	KIT #	List \$	
MODEL EC240C NL								
DIPPER ARM	14551719	110001-120001	P-UB-10	100 mm	140 mm	VME-14589135	420.33	
	14551719	110001-120001	Bushing	100 mm		VME-9612-10040	57.64	
QUICK-FIT	14522370	110001-120001	P-U-10	32 mm	70 mm	VME-14523132	174.68	
MODEL EC250D L								
BOOM	14551713	210001-210459, 220001-220774, 230001-230434, 231001-, 240001-, 245001-, 260001-260111, 270001-, 280001-	P-UB-10	105 mm	160 mm	VME-SK100237	149.23	
	14551713	210001-210459, 220001-220774, 230001-230434, 231001-, 240001-, 245001-, 260001-260111, 270001-, 280001-	Bushing	105 mm		VME-9612-10540	65.14	
	14551718	210001-210459, 220001-220774, 230001-230434, 231001-, 240001-, 245001-, 260001-260111, 270001-, 280001-	P-UB-10	105 mm	160 mm	VME-SK100237	149.23	
	14551718	210001-210459, 220001-220774, 230001-230434, 231001-, 240001-, 245001-, 260001-260111, 270001-, 280001-	Bushing	105 mm		VME-9612-10540	65.14	
	14572350	210001-210459, 220001-220774, 230001-230434, 231001-, 240001-, 245001-, 260001-260111, 270001-, 280001-	P-UB-10	90 mm	135 mm	VME-14589134	587.96	
	14572350	210001-210459, 220001-220774, 230001-230434, 231001-, 240001-, 245001-, 260001-260111, 270001-, 280001-	Bushing	90 mm		VME-9612-09040	54.06	
BUCKET	14536959	210001-210459, 220001-220774, 230001-230434, 231001-, 240001-, 245001-, 260001-260111, 270001-, 280001-	P-UB-10	70 mm	100 mm	VME-14589125	210.91	
	14536959	210001-210459, 220001-220774, 230001-230434, 231001-, 240001-, 245001-, 260001-260111, 270001-, 280001-	Bushing	70 mm		VME-9612-07040	38.77	
	14554982	210001-210459, 220001-220774, 230001-230434, 231001-, 240001-, 245001-, 260001-260111, 270001-, 280001-	P-UB-10	70 mm	100 mm	VME-14589125	210.91	
	14554982	210001-210459, 220001-220774, 230001-230434, 231001-, 240001-, 245001-, 260001-260111, 270001-, 280001-	Bushing	70 mm		VME-9612-07040	38.77	
	14572352	210001-210459, 220001-220774, 230001-230434, 231001-, 240001-, 245001-, 260001-260111, 270001-, 280001-	P-UB-10	90 mm	130 mm	VME-14589133	573.68	
	14572352	210001-210459, 220001-220774, 230001-230434, 231001-, 240001-, 245001-, 260001-260111, 270001-, 280001-	Bushing	90 mm		VME-9612-09040	54.06	
	14594987	210001-210459, 220001-220774, 230001-230434, 231001-, 240001-, 245001-, 260001-260111, 270001-, 280001-	P-UB-10	90 mm	130 mm	VME-14589133	573.68	
	14594987	210001-210459, 220001-220774, 230001-230434, 231001-, 240001-, 245001-, 260001-260111, 270001-, 280001-	Bushing	90 mm		VME-9612-09040	54.06	
DIPPER ARM	14572353	210001-210459, 220001-220774, 230001-230434, 231001-, 240001-, 245001-, 260001-260111, 270001-, 280001-	P-UB-10	100 mm	140 mm	VME-SK100238	203.26	
	14572353	210001-210459, 220001-220774, 230001-230434, 231001-, 240001-, 245001-, 260001-260111, 270001-, 280001-	Bushing	100 mm		VME-9612-10040	57.64	
	14594986	210001-210459, 220001-220774, 230001-230434, 231001-, 240001-, 245001-, 260001-260111, 270001-, 280001-	P-UB-10	100 mm	140 mm	VME-SK100238	203.26	
	14594986	210001-210459, 220001-220774, 230001-230434, 231001-, 240001-, 245001-, 260001-260111, 270001-, 280001-	Bushing	100 mm		VME-9612-10040	57.64	
	14594988	210001-210459, 220001-220774, 230001-230434, 231001-, 240001-, 245001-, 260001-260111, 270001-, 280001-	P-UB-10	100 mm	140 mm	VME-SK100238	203.26	

LR - Long Reach SLF - Super Long Front QF - Quick Fit FS - Front Shovel MH - Material Handle AS - Articulate Slope

Replacement Kits For

VOLVO

Excavators							
APPLICATION	CYL #	SERIAL #	CODE	ROD	BORE	KIT #	List \$
MODEL EC250D L							
DIPPER ARM	14594988	210001-210459, 220001-220774, 230001-230434, 231001-, 240001-, 245001-, 260001-260111, 270001-, 280001-	Bushing	100 mm		VME-9612-10040	57.64
	14658078	210001-210459, 220001-220774, 230001-230434, 231001-, 240001-, 245001-, 260001-260111, 270001-, 280001-	P-UB-10	100 mm	140 mm	VME-14589135	420.33
	14658078	210001-210459, 220001-220774, 230001-230434, 231001-, 240001-, 245001-, 260001-260111, 270001-, 280001-	Bushing	100 mm		VME-9612-10040	57.64
	14706825	210001-210459, 220001-220774, 230001-230434, 231001-, 240001-, 245001-, 260001-260111, 270001-, 280001-	P-UB-10	100 mm	140 mm	VME-14589135	420.33
	14706825	210001-210459, 220001-220774, 230001-230434, 231001-, 240001-, 245001-, 260001-260111, 270001-, 280001-	Bushing	100 mm		VME-9612-10040	57.64
MODEL EC250D LR							
BOOM	14551713	210001-210459, 220001-220774, 230001-230434, 231001-, 240001-, 245001-, 260001-260111, 270001-, 280001-	P-UB-10	105 mm	160 mm	VME-SK100237	149.23
	14551713	210001-210459, 220001-220774, 230001-230434, 231001-, 240001-, 245001-, 260001-260111, 270001-, 280001-	Bushing	105 mm		VME-9612-10540	65.14
	14551718	210001-210459, 220001-220774, 230001-230434, 231001-, 240001-, 245001-, 260001-260111, 270001-, 280001-	P-UB-10	105 mm	160 mm	VME-SK100237	149.23
	14551718	210001-210459, 220001-220774, 230001-230434, 231001-, 240001-, 245001-, 260001-260111, 270001-, 280001-	Bushing	105 mm		VME-9612-10540	65.14
	14572350	210001-210459, 220001-220774, 230001-230434, 231001-, 240001-, 245001-, 260001-260111, 270001-, 280001-	P-UB-10	90 mm	135 mm	VME-14589134	587.96
	14572350	210001-210459, 220001-220774, 230001-230434, 231001-, 240001-, 245001-, 260001-260111, 270001-, 280001-	Bushing	90 mm		VME-9612-09040	54.06
BUCKET	14536959	210001-210459, 220001-220774, 230001-230434, 231001-, 240001-, 245001-, 260001-260111, 270001-, 280001-	P-UB-10	70 mm	100 mm	VME-14589125	210.91
	14536959	210001-210459, 220001-220774, 230001-230434, 231001-, 240001-, 245001-, 260001-260111, 270001-, 280001-	Bushing	70 mm		VME-9612-07040	38.77
	14554982	210001-210459, 220001-220774, 230001-230434, 231001-, 240001-, 245001-, 260001-260111, 270001-, 280001-	P-UB-10	70 mm	100 mm	VME-14589125	210.91
	14554982	210001-210459, 220001-220774, 230001-230434, 231001-, 240001-, 245001-, 260001-260111, 270001-, 280001-	Bushing	70 mm		VME-9612-07040	38.77
	14572352	210001-210459, 220001-220774, 230001-230434, 231001-, 240001-, 245001-, 260001-260111, 270001-, 280001-	P-UB-10	90 mm	130 mm	VME-14589133	573.68
	14572352	210001-210459, 220001-220774, 230001-230434, 231001-, 240001-, 245001-, 260001-260111, 270001-, 280001-	Bushing	90 mm		VME-9612-09040	54.06
	14594987	210001-210459, 220001-220774, 230001-230434, 231001-, 240001-, 245001-, 260001-260111, 270001-, 280001-	P-UB-10	90 mm	130 mm	VME-14589133	573.68
	14594987	210001-210459, 220001-220774, 230001-230434, 231001-, 240001-, 245001-, 260001-260111, 270001-, 280001-	Bushing	90 mm		VME-9612-09040	54.06
DIPPER ARM	14572353	210001-210459, 220001-220774, 230001-230434, 231001-, 240001-, 245001-, 260001-260111, 270001-, 280001-	P-UB-10	100 mm	140 mm	VME-SK100238	203.26

LR - Long Reach SLF - Super Long Front QF - Quick Fit FS - Front Shovel MH - Material Handle AS - Articulate Slope

FORMERLY LISTED REPAIR PARTS ARE AVAILABLE ONLINE AT WWW.HERCULESUS.COM
OR BY CONTACTING YOUR REGIONAL HERCULES SALES TEAM.

Replacement Kits For

VOLVO

Excavators							
APPLICATION	CYL #	SERIAL #	CODE	ROD	BORE	KIT #	List \$
MODEL EC250D LR							
DIPPER ARM	14572353	210001-210459, 220001-220774, 230001-230434, 231001-, 240001-, 245001-, 260001-260111, 270001-, 280001-	Bushing	100 mm		VME-9612-10040	57.64
	14594986	210001-210459, 220001-220774, 230001-230434, 231001-, 240001-, 245001-, 260001-260111, 270001-, 280001-	P-UB-10	100 mm	140 mm	VME-SK100238	203.26
	14594986	210001-210459, 220001-220774, 230001-230434, 231001-, 240001-, 245001-, 260001-260111, 270001-, 280001-	Bushing	100 mm		VME-9612-10040	57.64
	14594988	210001-210459, 220001-220774, 230001-230434, 231001-, 240001-, 245001-, 260001-260111, 270001-, 280001-	P-UB-10	100 mm	140 mm	VME-SK100238	203.26
	14594988	210001-210459, 220001-220774, 230001-230434, 231001-, 240001-, 245001-, 260001-260111, 270001-, 280001-	Bushing	100 mm		VME-9612-10040	57.64
	14658078	210001-210459, 220001-220774, 230001-230434, 231001-, 240001-, 245001-, 260001-260111, 270001-, 280001-	P-UB-10	100 mm	140 mm	VME-14589135	420.33
	14658078	210001-210459, 220001-220774, 230001-230434, 231001-, 240001-, 245001-, 260001-260111, 270001-, 280001-	Bushing	100 mm		VME-9612-10040	57.64
	14706825	210001-210459, 220001-220774, 230001-230434, 231001-, 240001-, 245001-, 260001-260111, 270001-, 280001-	P-UB-10	100 mm	140 mm	VME-14589135	420.33
	14706825	210001-210459, 220001-220774, 230001-230434, 231001-, 240001-, 245001-, 260001-260111, 270001-, 280001-	Bushing	100 mm		VME-9612-10040	57.64
MODEL EC250E L							
BOOM	14551713	310001-314000, 314001-, 320001-323000, 323001-	P-UB-10	105 mm	160 mm	VME-SK100237	149.23
	14551713	310001-314000, 314001-, 320001-323000, 323001-	Bushing	105 mm		VME-9612-10540	65.14
	14572350	310001-314000, 314001-, 320001-323000, 323001-	P-UB-10	90 mm	135 mm	VME-14589134	587.96
	14572350	310001-314000, 314001-, 320001-323000, 323001-	Bushing	90 mm		VME-9612-09040	54.06
BUCKET	14572352	310001-314000, 314001-, 320001-323000, 323001-	P-UB-10	90 mm	130 mm	VME-14589133	573.68
	14572352	310001-314000, 314001-, 320001-323000, 323001-	Bushing	90 mm		VME-9612-09040	54.06
	14620259	310001-314000, 314001-, 320001-323000, 323001-	P-UB-10	70 mm	100 mm	VME-14589125	210.91
	14620259	310001-314000, 314001-, 320001-323000, 323001-	Bushing	70 mm		VME-9612-07040	38.77
DIPPER ARM	14572353	310001-314000, 314001-, 320001-323000, 323001-	P-UB-10	100 mm	140 mm	VME-SK100238	203.26
	14572353	310001-314000, 314001-, 320001-323000, 323001-	Bushing	100 mm		VME-9612-10040	57.64
	14658078	310001-314000, 314001-, 320001-323000, 323001-	P-UB-10	100 mm	140 mm	VME-14589135	420.33
	14658078	310001-314000, 314001-, 320001-323000, 323001-	Bushing	100 mm		VME-9612-10040	57.64
	14706825	310001-314000, 314001-, 320001-323000, 323001-	P-UB-10	100 mm	140 mm	VME-14589135	420.33
	14706825	310001-314000, 314001-, 320001-323000, 323001-	Bushing	100 mm		VME-9612-10040	57.64
MODEL EC250E LR							
BOOM	14551713	310001-314000, 314001-, 320001-323000, 323001-	P-UB-10	105 mm	160 mm	VME-SK100237	149.23
	14551713	310001-314000, 314001-, 320001-323000, 323001-	Bushing	105 mm		VME-9612-10540	65.14

LR - Long Reach

SLF - Super Long Front

QF - Quick Fit

FS - Front Shovel

MH - Material Handle

AS - Articulate Slope

VOLVO

Replacement Kits For

Excavators								
APPLICATION	CYL #	SERIAL #	CODE	ROD	BORE	KIT #	List \$	
MODEL EC250E LR								
BOOM	14572350	310001-314000, 314001-, 320001-323000, 323001-	P-UB-10	90 mm	135 mm	VME-14589134	587.96	
	14572350	310001-314000, 314001-, 320001-323000, 323001-	Bushing	90 mm		VME-9612-09040	54.06	
BUCKET	14572352	310001-314000, 314001-, 320001-323000, 323001-	P-UB-10	90 mm	130 mm	VME-14589133	573.68	
	14572352	310001-314000, 314001-, 320001-323000, 323001-	Bushing	90 mm		VME-9612-09040	54.06	
	14620259	310001-314000, 314001-, 320001-323000, 323001-	P-UB-10	70 mm	100 mm	VME-14589125	210.91	
	14620259	310001-314000, 314001-, 320001-323000, 323001-	Bushing	70 mm		VME-9612-07040	38.77	
DIPPER ARM	14572353	310001-314000, 314001-, 320001-323000, 323001-	P-UB-10	100 mm	140 mm	VME-SK100238	203.26	
	14572353	310001-314000, 314001-, 320001-323000, 323001-	Bushing	100 mm		VME-9612-10040	57.64	
	14658078	310001-314000, 314001-, 320001-323000, 323001-	P-UB-10	100 mm	140 mm	VME-14589135	420.33	
	14658078	310001-314000, 314001-, 320001-323000, 323001-	Bushing	100 mm		VME-9612-10040	57.64	
	14706825	310001-314000, 314001-, 320001-323000, 323001-	P-UB-10	100 mm	140 mm	VME-14589135	420.33	
	14706825	310001-314000, 314001-, 320001-323000, 323001-	Bushing	100 mm		VME-9612-10040	57.64	
MODEL EC280								
ARM	143446169		P-UB-10	110 mm	160 mm	VME-11705818	846.19	
BOOM	143446151		P-UB-10	100 mm	150 mm	VME-11703474	733.56	
BUCKET	143446169		P-UB-10	110 mm	160 mm	VME-11705818	846.19	
	143446177		P-UB-10	95 mm	140 mm	VME-11705814	656.35	
QUICK FIT	143419398		P-UB-10	32 mm	70 mm	VME-11702311	147.29	
MODEL EC290B FX								
BOOM	14510288	10001-13846;30001-30270	P-UB-10	95 mm	140 mm	VME-14513714	620.65	
	14514556	10001-13846;30001-30270	P-UB-10	95 mm	140 mm	VME-14513714	620.65	
	14530664	13847-14793;30271-;80001-81090	P-UB-10	95 mm	140 mm	VME-14541717	624.29	
	14539227	13847-14793;30271-;80001-81090	P-UB-10	95 mm	140 mm	VME-14541717	624.29	
	14563840	14794-;81091-	P-UB-10	95 mm	140 mm	VME-14541717	624.29	
	14563846	14794-;81091-	P-UB-10	95 mm	140 mm	VME-14541717	624.29	
BOOM (Adj 2nd)	14513283	10270-14793;80001-81090	P-UB-10	110 mm	170 mm	VME-14519359	493.28	
	14516724	10270-14793;80001-81090	P-UB-10	110 mm	170 mm	VME-14519359	493.28	
	14563883	14794-;81091-	P-UB-10	110 mm	170 mm	VME-14519359	493.28	
	14563889	14794-;81091-	P-UB-10	110 mm	170 mm	VME-14519359	493.28	
BUCKET	14510293	10001-11245;30001-30036	P-UB-10	95 mm	140 mm	VME-14513714	620.65	
	14514558	10001-11245;30001-30036	P-UB-10	95 mm	140 mm	VME-14541717	624.29	
	14522904	11246-13846;30037-30270;80001-80042	P-UB-10	95 mm	140 mm	VME-14513714	620.65	
	14522906	11246-13846;30037-30270;80001-80042	P-UB-10	95 mm	140 mm	VME-14541717	624.29	
	14533937	13847-14793;80043-81090;30271-	P-UB-10	95 mm	140 mm	VME-14513714	620.65	
	14541245	13847-14793;80043-81090;30271-	P-UB-10	95 mm	140 mm	VME-14541717	624.29	
	14563892	14794-;81091-	P-UB-10	95 mm	140 mm	VME-14513714	620.65	
	14563898	14794-;81091-	P-UB-10	95 mm	140 mm	VME-14541717	624.29	
	BUCKET (LR)	14510883	10001-11206;30001-30018	P-UB-10	70 mm	100 mm	VME-14547310	346.38
14514560		10001-11206;30001-30018	P-UB-10	70 mm	100 mm	VME-14547310	346.38	
14522846		11207-14793;80001-81090;30019-	P-UB-10	70 mm	100 mm	VME-14547310	346.38	
14522900		11207-;30019-	P-UB-10	70 mm	100 mm	VME-14547310	346.38	
14564132		14794-;81091-	P-UB-10	70 mm	100 mm	VME-14547310	346.38	
DIPPER ARM	14510443	10001-10951;30001-30006	P-UB-10	105 mm	150 mm	VME-14513715	661.03	
	14510790	13562-14793;80001-81090	P-UB-10	105 mm	150 mm	VME-14513715	661.03	

LR - Long Reach SLF - Super Long Front QF - Quick Fit FS - Front Shovel MH - Material Handle AS - Articulate Slope

FORMERLY LISTED REPAIR PARTS ARE AVAILABLE ONLINE AT WWW.HERCULESUS.COM
OR BY CONTACTING YOUR REGIONAL HERCULES SALES TEAM.

VOLVO

Replacement Kits For

Excavators								
APPLICATION	CYL #	SERIAL #	CODE	ROD	BORE	KIT #	List \$	
MODEL EC290B FX								
DIPPER ARM	14514557	10001-10951;30001-30006	P-UB-10	105 mm	150 mm	VME-14513715	661.03	
	14514559	13562-14793;80001-81090	P-UB-10	105 mm	150 mm	VME-14513715	661.03	
	14521658	10952-11245;30007-30036	P-UB-10	105 mm	150 mm	VME-14513715	661.03	
	14521664	10952-11245;30007-30036	P-UB-10	105 mm	150 mm	VME-14513715	661.03	
	14522902	11246-12927;30037-	P-UB-10	105 mm	150 mm	VME-14513715	661.03	
	14522903	11246-12927;30037-	P-UB-10	105 mm	150 mm	VME-14513715	661.03	
	14535421	12928-14793;80001-81090	P-UB-10	105 mm	150 mm	VME-14513715	661.03	
	14536161	12928-14793;80001-81090	P-UB-10	105 mm	150 mm	VME-14513715	661.03	
	14563849	14794-;81091-	P-UB-10	105 mm	150 mm	VME-14513715	661.03	
	14563855	14794-;81091-	P-UB-10	105 mm	150 mm	VME-14513715	661.03	
	14563858	14794-;81091-	P-UB-10	105 mm	150 mm	VME-14513715	661.03	
	14563880	14794-;81091-	P-UB-10	105 mm	150 mm	VME-14513715	661.03	
	QUICK-FIT	14522370	11436-	P-U-10	32 mm	70 mm	VME-14523132	174.68
MODEL EC290B LC, EC290B LR								
BOOM	14510288	10001-13846;30001-30270	P-UB-10	95 mm	140 mm	VME-14513714	620.65	
	14514556	10001-13846;30001-30270	P-UB-10	95 mm	140 mm	VME-14513714	620.65	
	14530664	13847-14793;30271-;80001-81090	P-UB-10	95 mm	140 mm	VME-14541717	624.29	
	14539227	13847-14793;30271-;80001-81090	P-UB-10	95 mm	140 mm	VME-14541717	624.29	
	14540644	13847-;30271-	P-UB-10	95 mm	140 mm	VME-14541717	624.29	
	14563840	14794-;81091-	P-UB-10	95 mm	140 mm	VME-14541717	624.29	
	14563846	14794-;81091-	P-UB-10	95 mm	140 mm	VME-14541717	624.29	
	BOOM (Adj 2nd)	14513283	10001-13561;30001-30289	P-UB-10	110 mm	170 mm	VME-14519359	493.28
14513283		10270-14793;80001-81090	P-UB-10	110 mm	170 mm	VME-14519359	493.28	
14516724		10001-13561;30001-30289	P-UB-10	110 mm	170 mm	VME-14519359	493.28	
14516724		10270-14793;80001-81090	P-UB-10	110 mm	170 mm	VME-14519359	493.28	
14563883		14794-;81091-	P-UB-10	110 mm	170 mm	VME-14519359	493.28	
14563889		14794-;81091-	P-UB-10	110 mm	170 mm	VME-14519359	493.28	
BUCKET	14510293	10001-11245;30001-30036	P-UB-10	95 mm	140 mm	VME-14513714	620.65	
	14514558	10001-11245;30001-30036	P-UB-10	95 mm	140 mm	VME-14541717	624.29	
	14522904	11246-13846;30037-30270;80001-80042	P-UB-10	95 mm	140 mm	VME-14513714	620.65	
	14522906	11246-13846;30037-30270	P-UB-10	95 mm	140 mm	VME-14541717	624.29	
	14522906	11246-13846;30037-30270;80001-80042	P-UB-10	95 mm	140 mm	VME-14541717	624.29	
	14533937	13847-;30271-	P-UB-10	95 mm	140 mm	VME-14513714	620.65	
	14533937	13847-14793;80043-81090;30271-	P-UB-10	95 mm	140 mm	VME-14513714	620.65	
	14541245	13847-14793;80043-81090;30271-	P-UB-10	95 mm	140 mm	VME-14541717	624.29	
	14563892	14794-;81091-	P-UB-10	95 mm	140 mm	VME-14513714	620.65	
	14563898	14794-;81091-	P-UB-10	95 mm	140 mm	VME-14541717	624.29	
	BUCKET (LR)	14510883	10001-11206;30001-30018	P-UB-10	70 mm	100 mm	VME-14547310	346.38
		14514560	10001-11206;30001-30018	P-UB-10	70 mm	100 mm	VME-14547310	346.38
		14522846	11207-14793;30019-;80001-81090	P-UB-10	70 mm	100 mm	VME-14547310	346.38
14522900		11207-;30019-	P-UB-10	70 mm	100 mm	VME-14547310	346.38	
14564132		14794-;81091-	P-UB-10	70 mm	100 mm	VME-14547310	346.38	
14564139		30290-;13562-;80001-	P-UB-10	70 mm	100 mm	VME-14547310	346.38	
DIPPER ARM	14510443	10001-10951;30001-30006	P-UB-10	105 mm	150 mm	VME-14513715	661.03	
	14510790	10001-14793;30001-30289;80001-81090	P-UB-10	105 mm	150 mm	VME-14513715	661.03	
	14514557	10001-10951;30001-30006	P-UB-10	105 mm	150 mm	VME-14513715	661.03	
	14514559	10001-14793;30001-30289;80001-81090	P-UB-10	105 mm	150 mm	VME-14513715	661.03	
	14521658	10952-11245;30007-30036	P-UB-10	105 mm	150 mm	VME-14513715	661.03	
	14521664	10952-11245;30007-30036	P-UB-10	105 mm	150 mm	VME-14513715	661.03	
	14522902	11246-12927;30037-	P-UB-10	105 mm	150 mm	VME-14513715	661.03	
	14522903	11246-12927;30037-	P-UB-10	105 mm	150 mm	VME-14513715	661.03	
	14535421	12928-14793;80001-81090	P-UB-10	105 mm	150 mm	VME-14513715	661.03	
	14536161	12928-14793;80001-81090	P-UB-10	105 mm	150 mm	VME-14513715	661.03	
	14563849	14794-;81091-	P-UB-10	105 mm	150 mm	VME-14513715	661.03	
	14563855	14794-;81091-	P-UB-10	105 mm	150 mm	VME-14513715	661.03	

LR - Long Reach

SLF - Super Long Front

QF - Quick Fit

FS - Front Shovel

MH - Material Handle

AS - Articulate Slope

VOLVO

Replacement Kits For

Excavators							
APPLICATION	CYL #	SERIAL #	CODE	ROD	BORE	KIT #	List \$
MODEL EC290B LC, EC290B LR							
DIPPER ARM	14563858	14794-;81091-	P-UB-10	105 mm	150 mm	VME-14513715	661.03
	14563880	14794-;81091-	P-UB-10	105 mm	150 mm	VME-14513715	661.03
QUICK-FIT	14522370	11436-	P-U-10	32 mm	70 mm	VME-14523132	174.68
MODEL EC290B NLC							
BOOM	14510288	10001-13846;30001-30270	P-UB-10	95 mm	140 mm	VME-14513714	620.65
	14514556	10001-13846;30001-30270	P-UB-10	95 mm	140 mm	VME-14513714	620.65
	14530664	13847-14793;30271-;80001-81090	P-UB-10	95 mm	140 mm	VME-14541717	624.29
	14539227	13847-14793;30271-;80001-81090	P-UB-10	95 mm	140 mm	VME-14541717	624.29
	14540644	13847-;30271-	P-UB-10	95 mm	140 mm	VME-14541717	624.29
	14563840	14794-;81091-	P-UB-10	95 mm	140 mm	VME-14541717	624.29
	14563846	14794-;81091-	P-UB-10	95 mm	140 mm	VME-14541717	624.29
BOOM (Adj 2nd)	14513283	10001-13561;30001-30289	P-UB-10	110 mm	170 mm	VME-14519359	493.28
	14513283	10270-14793;80001-81090	P-UB-10	110 mm	170 mm	VME-14519359	493.28
	14516724	10001-13561;30001-30289	P-UB-10	110 mm	170 mm	VME-14519359	493.28
	14516724	10270-14793;80001-81090	P-UB-10	110 mm	170 mm	VME-14519359	493.28
	14563883	14794-;81091-	P-UB-10	110 mm	170 mm	VME-14519359	493.28
	14563889	14794-;81091-	P-UB-10	110 mm	170 mm	VME-14519359	493.28
BUCKET	14510293	10001-11245;30001-30036	P-UB-10	95 mm	140 mm	VME-14513714	620.65
	14514558	10001-11245;30001-30036	P-UB-10	95 mm	140 mm	VME-14541717	624.29
	14522904	11246-13846;30037-30270;80001-80042	P-UB-10	95 mm	140 mm	VME-14513714	620.65
	14522906	11246-13846;30037-30270	P-UB-10	95 mm	140 mm	VME-14541717	624.29
	14522906	11246-13846;30037-30270;80001-80042	P-UB-10	95 mm	140 mm	VME-14541717	624.29
	14533937	13847-;30271-	P-UB-10	95 mm	140 mm	VME-14513714	620.65
	14533937	13847-14793;80043-81090;30271-	P-UB-10	95 mm	140 mm	VME-14513714	620.65
	14541245	13847-14793;30271-;80043-81090	P-UB-10	95 mm	140 mm	VME-14541717	624.29
	14563892	14794-;81091-	P-UB-10	95 mm	140 mm	VME-14513714	620.65
	14563898	14794-;81091-	P-UB-10	95 mm	140 mm	VME-14541717	624.29
	BUCKET (LR)	14510883	10001-11206;30001-30018	P-UB-10	70 mm	100 mm	VME-14547310
14514560		10001-11206;30001-30018	P-UB-10	70 mm	100 mm	VME-14547310	346.38
14522846		11207-14793;30019-;80001-81090	P-UB-10	70 mm	100 mm	VME-14547310	346.38
14522900		11207-;30019-	P-UB-10	70 mm	100 mm	VME-14547310	346.38
14564132		14794-;81091-	P-UB-10	70 mm	100 mm	VME-14547310	346.38
14564139		30290-;13562-;80001-	P-UB-10	70 mm	100 mm	VME-14547310	346.38
DIPPER ARM	14510443	10001-10951;30001-30006	P-UB-10	105 mm	150 mm	VME-14513715	661.03
	14510790	10001-14793;30001-30289;80001-81090	P-UB-10	105 mm	150 mm	VME-14513715	661.03
	14514557	10001-10951;30001-30006	P-UB-10	105 mm	150 mm	VME-14513715	661.03
	14514559	10001-14793;30001-30289;80001-81090	P-UB-10	105 mm	150 mm	VME-14513715	661.03
	14521658	10952-11245;30007-30036	P-UB-10	105 mm	150 mm	VME-14513715	661.03
	14521664	10952-11245;30007-30036	P-UB-10	105 mm	150 mm	VME-14513715	661.03
	14522902	11246-12927;30037-	P-UB-10	105 mm	150 mm	VME-14513715	661.03
	14522903	11246-12927;30037-	P-UB-10	105 mm	150 mm	VME-14513715	661.03
	14535421	12928-14793;80001-81090	P-UB-10	105 mm	150 mm	VME-14513715	661.03
	14536161	12928-14793;80001-81090	P-UB-10	105 mm	150 mm	VME-14513715	661.03
	14563849	14794-;81091-	P-UB-10	105 mm	150 mm	VME-14513715	661.03
	14563855	14794-;81091-	P-UB-10	105 mm	150 mm	VME-14513715	661.03
	14563858	14794-;81091-	P-UB-10	105 mm	150 mm	VME-14513715	661.03
	14563880	14794-;81091-	P-UB-10	105 mm	150 mm	VME-14513715	661.03
	QUICK-FIT	14522370	11436-	P-U-10	32 mm	70 mm	VME-14523132
MODEL EC290C L							
BOOM	14550418	110001-	P-UB-10	95 mm	140 mm	VME-14589136	430.20
	14550427	110001-	P-UB-10	95 mm	140 mm	VME-14589136	430.20
	14550714	110001-	P-UB-10	110 mm	170 mm	VME-14589137	453.40
	14550714	110001-	Bushing	110 mm		VME-9612-11050	63.05
	14550715	110001-	P-UB-10	110 mm	170 mm	VME-14589137	453.40
	14550715	110001-	Bushing	110 mm		VME-9612-11050	63.05

LR - Long Reach SLF - Super Long Front QF - Quick Fit FS - Front Shovel MH - Material Handle AS - Articulate Slope

FORMERLY LISTED REPAIR PARTS ARE AVAILABLE ONLINE AT WWW.HERCULESUS.COM
OR BY CONTACTING YOUR REGIONAL HERCULESUS SALES TEAM.

VOLVO

Replacement Kits For

Excavators								
APPLICATION	CYL #	SERIAL #	CODE	ROD	BORE	KIT #	List \$	
MODEL EC290C L								
BUCKET	14550435	110001-	P-UB-10	95 mm	140 mm	VME-14589136	430.20	
	14550436	110001-	P-UB-10	95 mm	140 mm	VME-14589136	430.20	
	14550919	110001-	P-UB-10	70 mm	100 mm	VME-14589125	210.91	
	14550919	110001-	Bushing	70 mm		VME-9612-07040	38.77	
	14551353	110001-	P-UB-10	70 mm	100 mm	VME-14589125	210.91	
	14551353	110001-	Bushing	70 mm		VME-9612-07040	38.77	
DIPPER ARM	14550433	110001-	P-UB-10	105 mm	150 mm	VME-14589138	530.88	
	14550433	110001-	Bushing	105 mm		VME-9612-10540	65.14	
	14550434	110001-	P-UB-10	105 mm	150 mm	VME-14589138	530.88	
	14550434	110001-	Bushing	105 mm		VME-9612-10540	65.14	
	14550712	110001-	P-UB-10	105 mm	150 mm	VME-14589138	530.88	
	14550712	110001-	Bushing	105 mm		VME-9612-10540	65.14	
	14550713	110001-	P-UB-10	105 mm	150 mm	VME-14589138	530.88	
	14550713	110001-	Bushing	105 mm		VME-9612-10540	65.14	
QUICK-FIT	14522370	110001-	P-U-10	32 mm	70 mm	VME-14523132	174.68	
MODEL EC290C LD								
BOOM	14550418	110001-	P-UB-10	95 mm	140 mm	VME-14589136	430.20	
	14550427	110001-	P-UB-10	95 mm	140 mm	VME-14589136	430.20	
	14550714	110001-	P-UB-10	110 mm	170 mm	VME-14589137	453.40	
	14550714	110001-	Bushing	110 mm		VME-9612-11050	63.05	
	14550715	110001-	P-UB-10	110 mm	170 mm	VME-14589137	453.40	
	14550715	110001-	Bushing	110 mm		VME-9612-11050	63.05	
BUCKET	14550435	110001-	P-UB-10	95 mm	140 mm	VME-14589136	430.20	
	14550436	110001-	P-UB-10	95 mm	140 mm	VME-14589136	430.20	
	14550919	110001-	P-UB-10	70 mm	100 mm	VME-14589125	210.91	
	14550919	110001-	Bushing	70 mm		VME-9612-07040	38.77	
	14551353	110001-	P-UB-10	70 mm	100 mm	VME-14589125	210.91	
	14551353	110001-	Bushing	70 mm		VME-9612-07040	38.77	
DIPPER ARM	14550433	110001-	P-UB-10	105 mm	150 mm	VME-14589138	530.88	
	14550433	110001-	Bushing	105 mm		VME-9612-10540	65.14	
	14550434	110001-	P-UB-10	105 mm	150 mm	VME-14589138	530.88	
	14550434	110001-	Bushing	105 mm		VME-9612-10540	65.14	
	14550712	110001-	P-UB-10	105 mm	150 mm	VME-14589138	530.88	
	14550712	110001-	Bushing	105 mm		VME-9612-10540	65.14	
	14550713	110001-	P-UB-10	105 mm	150 mm	VME-14589138	530.88	
	14550713	110001-	Bushing	105 mm		VME-9612-10540	65.14	
QUICK-FIT	14522370	110001-	P-U-10	32 mm	70 mm	VME-14523132	174.68	
MODEL EC290C LR								
BOOM	14550418	110001-	P-UB-10	95 mm	140 mm	VME-14589136	430.20	
	14550427	110001-	P-UB-10	95 mm	140 mm	VME-14589136	430.20	
	14550714	110001-	P-UB-10	110 mm	170 mm	VME-14589137	453.40	
	14550714	110001-	Bushing	110 mm		VME-9612-11050	63.05	
	14550715	110001-	P-UB-10	110 mm	170 mm	VME-14589137	453.40	
	14550715	110001-	Bushing	110 mm		VME-9612-11050	63.05	
BUCKET	14550435	110001-	P-UB-10	95 mm	140 mm	VME-14589136	430.20	
	14550436	110001-	P-UB-10	95 mm	140 mm	VME-14589136	430.20	
	14550712	110001-	P-UB-10	105 mm	150 mm	VME-14589138	530.88	
	14550712	110001-	Bushing	105 mm		VME-9612-10540	65.14	
	14550713	110001-	P-UB-10	105 mm	150 mm	VME-14589138	530.88	
	14550713	110001-	Bushing	105 mm		VME-9612-10540	65.14	
	14550919	110001-	P-UB-10	70 mm	100 mm	VME-14589125	210.91	
	14550919	110001-	Bushing	70 mm		VME-9612-07040	38.77	
	14551353	110001-	P-UB-10	70 mm	100 mm	VME-14589125	210.91	
	14551353	110001-	Bushing	70 mm		VME-9612-07040	38.77	
DIPPER ARM	14550433	110001-	P-UB-10	105 mm	150 mm	VME-14589138	530.88	

LR - Long Reach SLF - Super Long Front QF - Quick Fit FS - Front Shovel MH - Material Handle AS - Articulate Slope

VOLVO

Replacement Kits For

Excavators							
APPLICATION	CYL #	SERIAL #	CODE	ROD	BORE	KIT #	List \$
MODEL EC290C LR							
DIPPER ARM	14550433	110001-	Bushing	105 mm		VME-9612-10540	65.14
	14550434	110001-	P-UB-10	105 mm	150 mm	VME-14589138	530.88
	14550434	110001-	Bushing	105 mm		VME-9612-10540	65.14
	14550712	110001-	P-UB-10	105 mm	150 mm	VME-14589138	530.88
	14550712	110001-	Bushing	105 mm		VME-9612-10540	65.14
	14550713	110001-	P-UB-10	105 mm	150 mm	VME-14589138	530.88
	14550713	110001-	Bushing	105 mm		VME-9612-10540	65.14
	14550714	110001-	P-UB-10	110 mm	170 mm	VME-14589137	453.40
	14550714	110001-	Bushing	110 mm		VME-9612-11050	63.05
	14550715	110001-	P-UB-10	110 mm	170 mm	VME-14589137	453.40
14550715	110001-	Bushing	110 mm		VME-9612-11050	63.05	
QUICK-FIT	14522370	110001-	P-U-10	32 mm	70 mm	VME-14523132	174.68
MODEL EC290C NL							
BOOM	14550418	110001-	P-UB-10	95 mm	140 mm	VME-14589136	430.20
	14550427	110001-	P-UB-10	95 mm	140 mm	VME-14589136	430.20
	14550714	110001-	P-UB-10	110 mm	170 mm	VME-14589137	453.40
	14550714	110001-	Bushing	110 mm		VME-9612-11050	63.05
	14550715	110001-	P-UB-10	110 mm	170 mm	VME-14589137	453.40
	14550715	110001-	Bushing	110 mm		VME-9612-11050	63.05
BUCKET	14550435	110001-	P-UB-10	95 mm	140 mm	VME-14589136	430.20
	14550436	110001-	P-UB-10	95 mm	140 mm	VME-14589136	430.20
	14550919	110001-	P-UB-10	70 mm	100 mm	VME-14589125	210.91
	14550919	110001-	Bushing	70 mm		VME-9612-07040	38.77
	14551353	110001-	P-UB-10	70 mm	100 mm	VME-14589125	210.91
	14551353	110001-	Bushing	70 mm		VME-9612-07040	38.77
DIPPER ARM	14550433	110001-	P-UB-10	105 mm	150 mm	VME-14589138	530.88
	14550433	110001-	Bushing	105 mm		VME-9612-10540	65.14
	14550434	110001-	P-UB-10	105 mm	150 mm	VME-14589138	530.88
	14550434	110001-	Bushing	105 mm		VME-9612-10540	65.14
	14550712	110001-	P-UB-10	105 mm	150 mm	VME-14589138	530.88
	14550712	110001-	Bushing	105 mm		VME-9612-10540	65.14
	14550713	110001-	P-UB-10	105 mm	150 mm	VME-14589138	530.88
	14550713	110001-	Bushing	105 mm		VME-9612-10540	65.14
QUICK-FIT	14522370	110001-	P-U-10	32 mm	70 mm	VME-14523132	174.68
MODEL EC300D L							
BOOM	14550418	210001-211176, 230001-230373, 231001-, 250001-, 260001-260064, 270001-, 280001-	P-UB-10	95 mm	140 mm	VME-14589136	430.20
	14550418	210001-211176, 230001-230373, 231001-, 250001-, 260001-260064, 270001-, 280001-	Bushing	95 mm		VME-9612-09540	65.50
	14550427	210001-211176, 230001-230373, 231001-, 250001-, 260001-260064, 270001-, 280001-	P-UB-10	95 mm	140 mm	VME-14589136	430.20
	14550427	210001-211176, 230001-230373, 231001-, 250001-, 260001-260064, 270001-, 280001-	Bushing	95 mm		VME-9612-09540	65.50
	14550714	210001-211176, 230001-230373, 231001-, 250001-, 260001-260064, 270001-, 280001-	P-UB-10	110 mm	170 mm	VME-SK100239	349.13
	14550714	210001-211176, 230001-230373, 231001-, 250001-, 260001-260064, 270001-, 280001-	Bushing	110 mm		VME-9612-11050	63.05
	14550715	210001-211176, 230001-230373, 231001-, 250001-, 260001-260064, 270001-, 280001-	P-UB-10	110 mm	170 mm	VME-SK100239	349.13
	14550715	210001-211176, 230001-230373, 231001-, 250001-, 260001-260064, 270001-, 280001-	Bushing	110 mm		VME-9612-11050	63.05
BUCKET	14554982	210001-211176, 230001-230373, 231001-, 250001-, 260001-260064, 270001-, 280001-	P-UB-10	70 mm	100 mm	VME-14589125	210.91
	14554982	210001-211176, 230001-230373, 231001-, 250001-, 260001-260064, 270001-, 280001-	Bushing	70 mm		VME-9612-07040	38.77
	14567072	210001-211176, 230001-230373, 231001-, 250001-, 260001-260064, 270001-, 280001-	P-UB-10	95 mm	140 mm	VME-14589136	430.20

LR - Long Reach SLF - Super Long Front QF - Quick Fit FS - Front Shovel MH - Material Handle AS - Articulate Slope

FORMERLY LISTED REPAIR PARTS ARE AVAILABLE ONLINE AT WWW.HERCULESUS.COM
OR BY CONTACTING YOUR REGIONAL HERCULES SALES TEAM.

VOLVO

Replacement Kits For

Excavators							
APPLICATION	CYL #	SERIAL #	CODE	ROD	BORE	KIT #	List \$
MODEL EC300D L							
BUCKET	14567072	210001-211176, 230001-230373, 231001-, 250001-, 260001-260064, 270001-, 280001-	Bushing	95 mm		VME-9612-09540	65.50
	14588519	210001-211176, 230001-230373, 231001-, 250001-, 260001-260064, 270001-, 280001-	P-UB-10	95 mm	140 mm	VME-14589136	430.20
	14588519	210001-211176, 230001-230373, 231001-, 250001-, 260001-260064, 270001-, 280001-	Bushing	95 mm		VME-9612-09540	65.50
	14620259	210001-211176, 230001-230373, 231001-, 250001-, 260001-260064, 270001-, 280001-	P-UB-10	70 mm	100 mm	VME-14589125	210.91
	14620259	210001-211176, 230001-230373, 231001-, 250001-, 260001-260064, 270001-, 280001-	Bushing	70 mm		VME-9612-07040	38.77
DIPPER ARM	14567071	210001-211176, 230001-230373, 231001-, 250001-, 260001-260064, 270001-, 280001-	P-UB-10	105 mm	150 mm	VME-14589138	530.88
	14567071	210001-211176, 230001-230373, 231001-, 250001-, 260001-260064, 270001-, 280001-	Bushing	105 mm		VME-9612-10540	65.14
	14570106	210001-211176, 230001-230373, 231001-, 250001-, 260001-260064, 270001-, 280001-	P-UB-10	105 mm	150 mm	VME-14589138	530.88
	14570106	210001-211176, 230001-230373, 231001-, 250001-, 260001-260064, 270001-, 280001-	Bushing	105 mm		VME-9612-10540	65.14
	14588514	210001-211176, 230001-230373, 231001-, 250001-, 260001-260064, 270001-, 280001-	P-UB-10	105 mm	150 mm	VME-14589138	530.88
	14588514	210001-211176, 230001-230373, 231001-, 250001-, 260001-260064, 270001-, 280001-	Bushing	105 mm		VME-9612-10540	65.14
	14588521	210001-211176, 230001-230373, 231001-, 250001-, 260001-260064, 270001-, 280001-	P-UB-10	105 mm	150 mm	VME-14589138	530.88
	14588521	210001-211176, 230001-230373, 231001-, 250001-, 260001-260064, 270001-, 280001-	Bushing	105 mm		VME-9612-10540	65.14
MODEL EC300D LR							
BOOM	14550418	210001-211176, 230001-230373, 231001-, 250001-, 260001-260064, 270001-, 280001-	P-UB-10	95 mm	140 mm	VME-14589136	430.20
	14550418	210001-211176, 230001-230373, 231001-, 250001-, 260001-260064, 270001-, 280001-	Bushing	95 mm		VME-9612-09540	65.50
	14550427	210001-211176, 230001-230373, 231001-, 250001-, 260001-260064, 270001-, 280001-	P-UB-10	95 mm	140 mm	VME-14589136	430.20
	14550427	210001-211176, 230001-230373, 231001-, 250001-, 260001-260064, 270001-, 280001-	Bushing	95 mm		VME-9612-09540	65.50
	14550714	210001-211176, 230001-230373, 231001-, 250001-, 260001-260064, 270001-, 280001-	P-UB-10	110 mm	170 mm	VME-SK100239	349.13
	14550714	210001-211176, 230001-230373, 231001-, 250001-, 260001-260064, 270001-, 280001-	Bushing	110 mm		VME-9612-11050	63.05
	14550715	210001-211176, 230001-230373, 231001-, 250001-, 260001-260064, 270001-, 280001-	P-UB-10	110 mm	170 mm	VME-SK100239	349.13
	14550715	210001-211176, 230001-230373, 231001-, 250001-, 260001-260064, 270001-, 280001-	Bushing	110 mm		VME-9612-11050	63.05
BUCKET	14554982	210001-211176, 230001-230373, 231001-, 250001-, 260001-260064, 270001-, 280001-	P-UB-10	70 mm	100 mm	VME-14589125	210.91
	14554982	210001-211176, 230001-230373, 231001-, 250001-, 260001-260064, 270001-, 280001-	Bushing	70 mm		VME-9612-07040	38.77
	14567072	210001-211176, 230001-230373, 231001-, 250001-, 260001-260064, 270001-, 280001-	P-UB-10	95 mm	140 mm	VME-14589136	430.20
	14567072	210001-211176, 230001-230373, 231001-, 250001-, 260001-260064, 270001-, 280001-	Bushing	95 mm		VME-9612-09540	65.50
	14588519	210001-211176, 230001-230373, 231001-, 250001-, 260001-260064, 270001-, 280001-	P-UB-10	95 mm	140 mm	VME-14589136	430.20
	14588519	210001-211176, 230001-230373, 231001-, 250001-, 260001-260064, 270001-, 280001-	Bushing	95 mm		VME-9612-09540	65.50
	14620259	210001-211176, 230001-230373, 231001-, 250001-, 260001-260064, 270001-, 280001-	P-UB-10	70 mm	100 mm	VME-14589125	210.91
	14620259	210001-211176, 230001-230373, 231001-, 250001-, 260001-260064, 270001-, 280001-	Bushing	70 mm		VME-9612-07040	38.77
DIPPER ARM	14567071	210001-211176, 230001-230373, 231001-, 250001-, 260001-260064, 270001-, 280001-	P-UB-10	105 mm	150 mm	VME-14589138	530.88

LR - Long Reach SLF - Super Long Front QF - Quick Fit FS - Front Shovel MH - Material Handle AS - Articulate Slope

Replacement Kits For

VOLVO

VOLVO

Excavators							
APPLICATION	CYL #	SERIAL #	CODE	ROD	BORE	KIT #	List \$
MODEL EC300D LR							
DIPPER ARM	14567071	210001-211176, 230001-230373, 231001-, 250001-, 260001-260064, 270001-, 280001-	Bushing	105 mm		VME-9612-10540	65.14
	14570106	210001-211176, 230001-230373, 231001-, 250001-, 260001-260064, 270001-, 280001-	P-UB-10	105 mm	150 mm	VME-14589138	530.88
	14570106	210001-211176, 230001-230373, 231001-, 250001-, 260001-260064, 270001-, 280001-	Bushing	105 mm		VME-9612-10540	65.14
	14588514	210001-211176, 230001-230373, 231001-, 250001-, 260001-260064, 270001-, 280001-	P-UB-10	105 mm	150 mm	VME-14589138	530.88
	14588514	210001-211176, 230001-230373, 231001-, 250001-, 260001-260064, 270001-, 280001-	Bushing	105 mm		VME-9612-10540	65.14
	14588521	210001-211176, 230001-230373, 231001-, 250001-, 260001-260064, 270001-, 280001-	P-UB-10	105 mm	150 mm	VME-14589138	530.88
	14588521	210001-211176, 230001-230373, 231001-, 250001-, 260001-260064, 270001-, 280001-	Bushing	105 mm		VME-9612-10540	65.14
MODEL EC300E L							
BOOM	14550418	310001-314000, 314001-	P-UB-10	95 mm	140 mm	VME-14589136	430.20
	14550418	310001-314000, 314001-	Bushing	95 mm		VME-9612-09540	65.50
	14550714	310001-314000, 314001-	P-UB-10	110 mm	170 mm	VME-SK100239	349.13
	14550714	310001-314000, 314001-	Bushing	110 mm		VME-9612-11050	63.05
BUCKET	14567072	310001-314000, 314001-	P-UB-10	95 mm	140 mm	VME-14589136	430.20
	14567072	310001-314000, 314001-	Bushing	95 mm		VME-9612-09540	65.50
	14620259	310001-314000, 314001-	P-UB-10	70 mm	100 mm	VME-14589125	210.91
	14620259	310001-314000, 314001-	Bushing	70 mm		VME-9612-07040	38.77
DIPPER ARM	14567071	310001-314000, 314001-	P-UB-10	105 mm	150 mm	VME-14589138	530.88
	14567071	310001-314000, 314001-	Bushing	105 mm		VME-9612-10540	65.14
	14570106	310001-314000, 314001-	P-UB-10	105 mm	150 mm	VME-14589138	530.88
	14570106	310001-314000, 314001-	Bushing	105 mm		VME-9612-10540	65.14
MODEL EC300E LR							
BOOM	14550418	310001-314000, 314001-	P-UB-10	95 mm	140 mm	VME-14589136	430.20
	14550418	310001-314000, 314001-	Bushing	95 mm		VME-9612-09540	65.50
	14550714	310001-314000, 314001-	P-UB-10	110 mm	170 mm	VME-SK100239	349.13
	14550714	310001-314000, 314001-	Bushing	110 mm		VME-9612-11050	63.05
BUCKET	14567072	310001-314000, 314001-	P-UB-10	95 mm	140 mm	VME-14589136	430.20
	14567072	310001-314000, 314001-	Bushing	95 mm		VME-9612-09540	65.50
	14620259	310001-314000, 314001-	P-UB-10	70 mm	100 mm	VME-14589125	210.91
	14620259	310001-314000, 314001-	Bushing	70 mm		VME-9612-07040	38.77
DIPPER ARM	14567071	310001-314000, 314001-	P-UB-10	105 mm	150 mm	VME-14589138	530.88
	14567071	310001-314000, 314001-	Bushing	105 mm		VME-9612-10540	65.14
	14570106	310001-314000, 314001-	P-UB-10	105 mm	150 mm	VME-14589138	530.88
	14570106	310001-314000, 314001-	Bushing	105 mm		VME-9612-10540	65.14
MODEL EC330B LC							
BOOM	14503654	10001-10712	P-UB-10	105 mm	150 mm	VME-14512968	360.91
	14503654	80001-, 10713-	P-UB-10	105 mm	150 mm	VME-14512968	360.91
	14563836	80001-, 10713-	P-UB-10	105 mm	150 mm	VME-14512968	360.91
BUCKET	14501282	10001-10712	P-UB-10	100 mm	145 mm	VME-14512961	513.84
	14506018	10001-10712	P-UB-10	105 mm	160 mm	VME-14512955	473.71
	14506018	80001-, 10713-	P-UB-10	105 mm	160 mm	VME-14512955	473.71
	14523667	10001-10712	P-UB-10	100 mm	145 mm	VME-14512961	513.84
	14523667	80001-, 10713-	P-UB-10	100 mm	145 mm	VME-14512961	513.84
	14563823	80001-, 10713-	P-UB-10	100 mm	145 mm	VME-14512961	513.84
	14563830	80001-, 10713-	P-UB-10	105 mm	160 mm	VME-14512955	473.71
	14572517	80001-, 10713-	P-UB-10	100 mm	145 mm	VME-14512961	513.84
	14572519	80001-, 10713-	P-UB-10	105 mm	160 mm	VME-14512955	473.71
DIPPER ARM	14501281	10001-10712	P-UB-10	115 mm	175 mm	VME-14512950	1127.76
	14521660	10001-10712	P-UB-10	115 mm	175 mm	VME-14512950	1127.76
	14535416	80001-, 10713-	P-UB-10	115 mm	175 mm	VME-14512950	1127.76
	14563816	80001-, 10713-	P-UB-10	115 mm	175 mm	VME-14512950	1127.76

LR - Long Reach SLF - Super Long Front QF - Quick Fit FS - Front Shovel MH - Material Handle AS - Articulate Slope

FORMERLY LISTED REPAIR PARTS ARE AVAILABLE ONLINE AT WWW.HERCULESUS.COM
OR BY CONTACTING YOUR REGIONAL HERCULES SALES TEAM.

VOLVO

Replacement Kits For

Excavators								
APPLICATION	CYL #	SERIAL #	CODE	ROD	BORE	KIT #	List \$	
MODEL EC330C L								
BOOM	14549596	110001-110152, 140001-140084	P-UB-10	105 mm	160 mm	VME-14589139	595.91	
BUCKET	14572518	110001-110152, 140001-140084	P-UB-10	100 mm	145 mm	VME-14589141	489.48	
	14572518	110001-110152, 140001-140084	Bushing	100 mm		VME-9612-10040	57.64	
	14572520	110001-110152, 140001-140084	P-UB-10	105 mm	160 mm	VME-14589142	549.01	
	14572520	110001-110152, 140001-140084	Bushing	105 mm		VME-9612-10540	65.14	
DIPPER ARM	14549597	110001-110152, 140001-140084	P-UB-10	115 mm	175 mm	VME-14589140	876.69	
	14549597	110001-110152, 140001-140084	Bushing	115 mm		VME-9612-11545	89.01	
QUICK-FIT	14522371	110001-110152, 140001-140084	P-U-10	32 mm	90 mm	VME-14522992	151.09	
MODEL EC330C LD								
BOOM	14549596	110001-110152, 140001-140084	P-UB-10	105 mm	160 mm	VME-14589139	595.91	
BUCKET	14572518	110001-110152, 140001-140084	P-UB-10	100 mm	145 mm	VME-14589141	489.48	
	14572518	110001-110152, 140001-140084	Bushing	100 mm		VME-9612-10040	57.64	
	14572520	110001-110152, 140001-140084	P-UB-10	105 mm	160 mm	VME-14589142	549.01	
	14572520	110001-110152, 140001-140084	Bushing	105 mm		VME-9612-10540	65.14	
DIPPER ARM	14549597	110001-110152, 140001-140084	P-UB-10	115 mm	175 mm	VME-14589140	876.69	
	14549597	110001-110152, 140001-140084	Bushing	115 mm		VME-9612-11545	89.01	
QUICK FIT	14522371	110001-110152, 140001-140084	P-U-10	32 mm	90 mm	VME-14522992	151.09	
MODEL EC340								
ARM	14344619		P-UB-10	125 mm	170 mm	VME-11702757	992.09	
BOOM	143446185		P-UB-10	105 mm	150 mm	VME-11702744	677.76	
BUCKET	14344620	1227-	P-UB-10	105 mm	150 mm	VME-11705815	714.24	
BUCKET (QF)	143419398		P-UB-10	32 mm	70 mm	VME-11702311	147.29	
MODEL EC350E L								
BOOM	14549596	310000-314000, 314001-	P-UB-10	105 mm	160 mm	VME-14589139	595.91	
	14549596	310000-314000, 314001-	Bushing	105 mm		VME-9612-10540	65.14	
BUCKET	14640433	310000-314000, 314001-	P-UB-10	100 mm	145 mm	VME-14660989	389.18	
	14640433	310000-314000, 314001-	Bushing	100 mm		VME-9612-10040	57.64	
	14640434	310000-314000, 314001-	P-UB-10	105 mm	160 mm	VME-14665637	405.22	
	14640434	310000-314000, 314001-	Bushing	105 mm		VME-9612-10540	65.14	
DIPPER ARM	14637360	-310577	P-UB-10	115 mm	175 mm	VME-14589140	876.69	
	14637360	-310577	Bushing	115 mm		VME-9612-11545	89.01	
	14736352	310578-	P-UB-10	115 mm	175 mm	VME-14589140	876.69	
	14736352	310578-	Bushing	115 mm		VME-9612-11545	89.01	
MODEL EC360								
BOOM	114604980	Standard seal kit	P-UB-14	105 mm	160 mm	VME-814816020	829.86	
	114607440	Tropical seal kit	P-UB-14	105 mm	160 mm	VME-814816130	829.86	
BUCKET		Tropical seal kit	P-UB-14	105 mm	150 mm	VME-814816150	675.11	
	114605000	Standard seal kit	P-UB-14	105 mm	150 mm	VME-814816030	661.84	
DIPPER ARM	114604990	Standard seal kit	P-UB-14	115 mm	170 mm	VME-814816040	953.65	
	114607450	Tropical seal kit	P-UB-14	115 mm	170 mm	VME-814816140	953.65	
MODEL EC360B LC, EC360B LR								
BOOM	14508896	10001-12151;12152-12657;80001-80899	P-UB-10	105 mm	160 mm	VME-14512948	649.82	
	14563810	12152-;80001-	P-UB-10	105 mm	160 mm	VME-14512948	649.82	
BUCKET	14501282	10001-10692	P-UB-10	100 mm	145 mm	VME-14512961	513.84	
	14506018	10001-12151;12152-12657;80001-80899	P-UB-10	105 mm	160 mm	VME-14512955	473.71	
	14523667	10693-;12152-12657;80001-80899	P-UB-10	100 mm	145 mm	VME-14512961	513.84	
	14563823	12658-12815;80900-80940	P-UB-10	100 mm	145 mm	VME-14512961	513.84	
	14563830	12658-12815;80900-80940	P-UB-10	105 mm	160 mm	VME-14512955	473.71	
	14572517	12152;80001-	P-UB-10	100 mm	145 mm	VME-14512961	513.84	
	14572519	12816-;80941-	P-UB-10	105 mm	160 mm	VME-14512955	473.71	
COUNTERWEIGHT	14507604	10001-12151;12152-;80001-	P-UB-14	80 mm	160 mm	VME-14510588	333.91	
DIPPER ARM	14501281	10001-10589	P-UB-10	115 mm	175 mm	VME-14512950	1127.76	
	14521660	10590-11505	P-UB-10	115 mm	175 mm	VME-14512950	1127.76	
	14535416	11506-;12152-12657;80001-80899	P-UB-10	115 mm	175 mm	VME-14512950	1127.76	
	14563816	12658-;80900-	P-UB-10	115 mm	175 mm	VME-14512950	1127.76	

LR - Long Reach SLF - Super Long Front QF - Quick Fit FS - Front Shovel MH - Material Handle AS - Articulate Slope

VOLVO

Replacement Kits For

VOLVO

Excavators							
APPLICATION	CYL #	SERIAL #	CODE	ROD	BORE	KIT #	List \$
MODEL EC360B LC, EC360B LR							
QUICK-FIT	1171-90630	10001-12151	P-U-10	32 mm	90 mm	VME-14510912	162.00
	14522371	10001-12151;12152-;80001-	P-U-10	32 mm	90 mm	VME-14522992	151.09
MODEL EC360B NLC							
BOOM	14508896	10001-12657;80001-80899	P-UB-10	105 mm	160 mm	VME-14512948	649.82
	14563810	12152-;80001-	P-UB-10	105 mm	160 mm	VME-14512948	649.82
BUCKET	14501282	10001-10692	P-UB-10	100 mm	145 mm	VME-14512961	513.84
	14506018	10001-12657;80001-80899	P-UB-10	105 mm	160 mm	VME-14512955	473.71
	14523667	10693-;12152-12657;80001-80899	P-UB-10	100 mm	145 mm	VME-14512961	513.84
	14563823	12658-12815;80900-80940	P-UB-10	100 mm	145 mm	VME-14512961	513.84
	14563830	12658-12815;80900-80940	P-UB-10	105 mm	160 mm	VME-14512955	473.71
	14572517	12152-;80001-	P-UB-10	100 mm	145 mm	VME-14512961	513.84
	14572519	12816-;80941-	P-UB-10	105 mm	160 mm	VME-14512955	473.71
COUNTERWEIGHT	14507604	10001-12151;12152-;80001-	P-UB-14	80 mm	160 mm	VME-14510588	333.91
DIPPER ARM	14501281	10001-10589	P-UB-10	115 mm	175 mm	VME-14512950	1127.76
	14521660	10590-11505	P-UB-10	115 mm	175 mm	VME-14512950	1127.76
	14535416	11506-;12152-12657;12658-;80001-80899;80900-	P-UB-10	115 mm	175 mm	VME-14512950	1127.76
QUICK-FIT	1171-90630	10001-12151	P-U-10	32 mm	90 mm	VME-14510912	162.00
	14522371	10001-12151;12152-;80001-	P-U-10	32 mm	90 mm	VME-14522992	151.09
MODEL EC360C HR							
BOOM	14549596	190001-	P-UB-10	105 mm	160 mm	VME-14589139	595.91
BUCKET	14572352	190001-	P-UB-10	90 mm	130 mm	VME-14589133	573.68
	14572352	190001-	Bushing	90 mm		VME-9612-09040	54.06
	14572518	190001-	P-UB-10	100 mm	145 mm	VME-14589141	489.48
	14572518	190001-	Bushing	100 mm		VME-9612-10040	57.64
CAB TILT	14586438	190001-	P-U-10	35 mm	65 mm	VME-14597349	121.11
	14586438	190001-	Bushing	35 mm		VME-14597338	35.10
DIPPER ARM	14549597	190001-	P-UB-10	115 mm	175 mm	VME-14589140	876.69
	14549597	190001-	Bushing	115 mm		VME-9612-11545	89.01
	14567071	190001-	P-UB-10	105 mm	150 mm	VME-14589138	530.88
	14567071	190001-	Bushing	105 mm		VME-9612-10540	65.14
QUICK-FIT	14522371	190001-	P-U-10	32 mm	90 mm	VME-14522992	151.09
MODEL EC360C L							
BOOM	14549596	110001-115000, 140001-145000	P-UB-10	105 mm	160 mm	VME-14589139	595.91
BUCKET	14549598	110001-115000, 140001-145000	P-UB-10	100 mm	145 mm	VME-14589141	489.48
	14549598	110001-115000, 140001-145000	Bushing	100 mm		VME-9612-10040	57.64
	14549599	110001-115000, 140001-145000	P-UB-10	105 mm	160 mm	VME-14589142	549.01
	14549599	110001-115000, 140001-145000	Bushing	105 mm		VME-9612-10540	65.14
	14572518	110168-	P-UB-10	100 mm	145 mm	VME-14512961	513.84
	14572518	115001-, 145001-	P-UB-10	100 mm	145 mm	VME-14589141	489.48
	14572518	115001-, 145001-	Bushing	100 mm		VME-9612-10040	57.64
	14572520	110168-	P-UB-10	105 mm	160 mm	VME-14512955	473.71
	14572520	115001-, 145001-	P-UB-10	105 mm	160 mm	VME-14589142	549.01
	14572520	115001-, 145001-	Bushing	105 mm		VME-9612-10540	65.14
DIPPER ARM	14549597	110001-115000, 140001-145000	P-UB-10	115 mm	175 mm	VME-14589140	876.69
	14549597	110001-115000, 140001-145000	Bushing	115 mm		VME-9612-11545	89.01
QUICK-FIT	14522371	110001-115000, 140001-145000	P-U-10	32 mm	90 mm	VME-14522992	151.09
MODEL EC360C LD							
BOOM	14549596	115001-, 145001-	P-UB-10	105 mm	160 mm	VME-14589139	595.91
BUCKET	14572518	115001-, 145001-	P-UB-10	100 mm	145 mm	VME-14589141	489.48
	14572518	115001-, 145001-	Bushing	100 mm		VME-9612-10040	57.64
	14572520	115001-, 145001-	P-UB-10	105 mm	160 mm	VME-14589142	549.01
	14572520	115001-, 145001-	Bushing	105 mm		VME-9612-10540	65.14
DIPPER ARM	14549597	115001-, 145001-	P-UB-10	115 mm	175 mm	VME-14589140	876.69
	14549597	115001-, 145001-	Bushing	115 mm		VME-9612-11545	89.01

LR - Long Reach SLF - Super Long Front QF - Quick Fit FS - Front Shovel MH - Material Handle AS - Articulate Slope

FORMERLY LISTED REPAIR PARTS ARE AVAILABLE ONLINE AT WWW.HERCULESUS.COM
OR BY CONTACTING YOUR REGIONAL HERCULES SALES TEAM.

VOLVO

Replacement Kits For

Excavators							
APPLICATION	CYL #	SERIAL #	CODE	ROD	BORE	KIT #	List \$
MODEL EC360C LD							
QUICK-FIT	14522371	115001-, 145001-	P-U-10	32 mm	90 mm	VME-14522992	151.09
MODEL EC360C NL							
BOOM	14549596	110001-, 140001-	P-UB-10	105 mm	160 mm	VME-14589139	595.91
	14549596	115001-, 145001-	P-UB-10	105 mm	160 mm	VME-14589139	595.91
BUCKET	14549598	110001-, 140001-	P-UB-10	100 mm	145 mm	VME-14589141	489.48
	14549598	110001-, 140001-	Bushing	100 mm		VME-9612-10040	57.64
	14549599	110001-, 140001-	P-UB-10	105 mm	160 mm	VME-14589142	549.01
	14549599	110001-, 140001-	Bushing	105 mm		VME-9612-10540	65.14
	14572518	115001-, 145001-	P-UB-10	100 mm	145 mm	VME-14589141	489.48
	14572518	115001-, 145001-	Bushing	100 mm		VME-9612-10040	57.64
	14572520	115001-, 145001-	P-UB-10	105 mm	160 mm	VME-14589142	549.01
DIPPER ARM	14572520	115001-, 145001-	Bushing	105 mm		VME-9612-10540	65.14
	14549597	110001-, 140001-	P-UB-10	115 mm	175 mm	VME-14589140	876.69
	14549597	110001-, 140001-	Bushing	115 mm		VME-9612-11545	89.01
	14549597	115001-, 145001-	P-UB-10	115 mm	175 mm	VME-14589140	876.69
QUICK-FIT	14522371	110001-, 140001-	P-U-10	32 mm	90 mm	VME-14522992	151.09
	14522371	115001-, 145001-	P-U-10	32 mm	90 mm	VME-14522992	151.09
MODEL EC380E L							
BOOM	14549596	310001-314000, 314001-	P-UB-10	105 mm	160 mm	VME-14589139	595.91
	14549596	310001-314000, 314001-	Bushing	105 mm		VME-9612-10540	65.14
BUCKET	14567072	310001-314000, 314001-	P-UB-10	95 mm	140 mm	VME-14589136	430.20
	14567072	310001-314000, 314001-	Bushing	95 mm		VME-9612-09540	65.50
	14640433	310001-314000, 314001-	P-UB-10	100 mm	145 mm	VME-14660989	389.18
	14640433	310001-314000, 314001-	Bushing	100 mm		VME-9612-10040	57.64
	14640434	310001-314000, 314001-	P-UB-10	105 mm	160 mm	VME-14665637	405.22
	14640434	310001-314000, 314001-	Bushing	105 mm		VME-9612-10540	65.14
DIPPER ARM	14637360	-311475	P-UB-10	115 mm	175 mm	VME-14589140	876.69
	14637360	-311475	Bushing	115 mm		VME-9612-11545	89.01
	14736352	311476-	P-UB-10	115 mm	175 mm	VME-14589140	876.69
	14736352	311476-	Bushing	115 mm		VME-9612-11545	89.01
MODEL EC460B LC, EC460B LR							
BOOM	14508475	10001-11514	P-UB-10	110 mm	165 mm	VME-14513726	769.81
	14508475	11515-12094;80001-82626	P-UB-10	110 mm	165 mm	VME-14513726	769.81
	14556580	12095;-82627-	P-UB-10	110 mm	165 mm	VME-14513726	769.81
BUCKET	1146-07300	10001-10485	P-UB-10	110 mm	165 mm	VME-14513726	769.81
	14505615	10001-12094;80001-80626	P-UB-10	115 mm	175 mm	VME-14512950	1127.76
	14523673	10486;-11515-12094;80001-80626	P-UB-10	110 mm	165 mm	VME-14513726	769.81
	14559350	12095-12214;80627-80639	P-UB-10	110 mm	165 mm	VME-14513726	769.81
	14561138	12095-12214;80627-80639	P-UB-10	115 mm	175 mm	VME-14512950	1127.76
	14572137	12215;-80640-	P-UB-10	110 mm	165 mm	VME-14513726	769.81
	14572515	12215;-80640-	P-UB-10	115 mm	175 mm	VME-14512950	1127.76
COUNTERWEIGHT	14507604	10001-11514;11515;-80001-	P-UB-14	80 mm	160 mm	VME-14510588	333.91
DIPPER ARM	1146-07290	10001-10485	P-UB-10	130 mm	190 mm	VME-14513727	727.04
	14523672	10486-11124	P-UB-10	130 mm	190 mm	VME-14513727	727.04
	14535510	11125;-11515-12094;80001-82626	P-UB-10	130 mm	190 mm	VME-14513727	727.04
	14559322	12095;-82627-	P-UB-10	130 mm	190 mm	VME-14513727	727.04
QUICK-FIT	1171-90630	10001-11514	P-U-10	32 mm	90 mm	VME-14510912	162.00
	14522371	10001-11514;11515;-80001-	P-U-10	32 mm	90 mm	VME-14522992	151.09
MODEL EC460C HR							
BOOM	14574729	190001-	P-UB-10	115 mm	175 mm	VME-14589140	876.69
	14574729	190001-	Bushing	115 mm		VME-9612-11545	89.01
BUCKET	14570757	190001-	P-UB-10	110 mm	165 mm	VME-14589145	778.13
	14570757	190001-	Bushing	110 mm		VME-9612-11050	63.05
	14572352	190001-	P-UB-10	90 mm	130 mm	VME-14589133	573.68

LR - Long Reach

SLF - Super Long Front

QF - Quick Fit

FS - Front Shovel

MH - Material Handle

AS - Articulate Slope

VOLVO

Replacement Kits For

Excavators							
APPLICATION	CYL #	SERIAL #	CODE	ROD	BORE	KIT #	List \$
MODEL EC460C HR							
BUCKET	14572352	190001-	Bushing	90 mm		VME-9612-09040	54.06
CAB TILT	14586438	190001-	P-U-10	35 mm	65 mm	VME-14597349	121.11
	14586438	190001-	Bushing	35 mm		VME-14597338	35.10
DIPPER ARM	14549597	190001-	P-UB-10	115 mm	175 mm	VME-14589140	876.69
	14549597	190001-	Bushing	115 mm		VME-9612-11545	89.01
	14595215	190001-	P-UB-10	130 mm	190 mm	VME-14589144	715.83
	14595215	190001-	Bushing	130 mm		VME-9612-13050	72.58
QUICK-FIT	14522371	190001-	P-U-10	32 mm	90 mm	VME-14522992	151.09
MODEL EC460C L							
BOOM	14548954	110001-110506	P-UB-10	110 mm	165 mm	VME-14589143	584.15
	14548954	115001-115434	P-UB-10	110 mm	165 mm	VME-14589143	584.15
BUCKET	14550055	110001-110103	P-UB-10	110 mm	165 mm	VME-14589143	584.15
	14550055	110104-110506	P-UB-10	110 mm	165 mm	VME-14589145	778.13
	14550055	110104-110506	Bushing	110 mm		VME-9612-11050	63.05
	14550055	115001-115434	P-UB-10	110 mm	165 mm	VME-14589145	778.13
	14550055	115001-115434	Bushing	110 mm		VME-9612-11050	63.05
	14550077	110001-110506	P-UB-10	115 mm	175 mm	VME-14589140	876.69
	14550077	110001-110506	Bushing	115 mm		VME-9612-11545	89.01
	14550077	115001-115434	P-UB-10	115 mm	175 mm	VME-14589140	876.69
	14550077	115001-115434	Bushing	115 mm		VME-9612-11545	89.01
	14570757	110104-	P-UB-10	110 mm	165 mm	VME-14573751	831.81
	14572516	110104-	P-UB-10	115 mm	175 mm	VME-14512950	1127.76
DIPPER ARM	14550096	110001-110506	P-UB-10	130 mm	190 mm	VME-14589144	715.83
	14550096	110001-110506	Bushing	130 mm		VME-9612-13050	72.58
	14550096	115001-115434	P-UB-10	130 mm	190 mm	VME-14589144	715.83
	14550096	115001-115434	Bushing	130 mm		VME-9612-13050	72.58
HYDRAULIC	14563828	110001-110506	P-UB-14	80 mm	160 mm	VME-14589146	397.21
	14563828	110001-110506	Bushing	80 mm		VME-9611-08030	43.95
	14563828	115001-115434	P-UB-14	80 mm	160 mm	VME-14589146	397.21
	14563828	115001-115434	Bushing	80 mm		VME-9611-08030	43.95
QUICK-FIT	14522371	110001-110506	P-U-10	32 mm	90 mm	VME-14522992	151.09
	14522371	115001-115434	P-U-10	32 mm	90 mm	VME-14522992	151.09
MODEL EC460C LD							
BOOM	14548954	115001-115434	P-UB-10	110 mm	165 mm	VME-14589143	584.15
BUCKET	14550055	115001-115434	P-UB-10	110 mm	165 mm	VME-14589145	778.13
	14550055	115001-115434	Bushing	110 mm		VME-9612-11050	63.05
	14550077	115001-115434	P-UB-10	115 mm	175 mm	VME-14589140	876.69
	14550077	115001-115434	Bushing	115 mm		VME-9612-11545	89.01
DIPPER ARM	14550096	115001-115434	P-UB-10	130 mm	190 mm	VME-14589144	715.83
	14550096	115001-115434	Bushing	130 mm		VME-9612-13050	72.58
HYDRAULIC	14563828	115001-115434	P-UB-14	80 mm	160 mm	VME-14589146	397.21
	14563828	115001-115434	Bushing	80 mm		VME-9611-08030	43.95
QUICK-FIT	14522371	115001-115434	P-U-10	32 mm	90 mm	VME-14522992	151.09
MODEL EC700B HR							
BOOM	14575093	90001-	P-UB-14	130 mm	200 mm	VME-14599293	1264.58
	14575093	90001-	Bushing	130 mm		VME-9612-13050	72.58
BUCKET	14550435	90001-	P-UB-10	95 mm	140 mm	VME-14589136	430.20
	14564683	90001-	P-UB-10	130 mm	190 mm	VME-14618214	840.44
	14587749	90001-	P-UB-14	130 mm	190 mm	VME-14612139	1343.01
	14587749	90001-	Bushing	130 mm		VME-9612-13050	72.58
CAB TILT	14586438	90001-	P-U-10	35 mm	65 mm	VME-14597349	121.11
	14586438	90001-	Bushing	35 mm		VME-14597338	35.10
DIPPER ARM	14564682	90001-	P-UB-10	150 mm	215 mm	VME-14618213	1443.72
	14587748	90001-	P-UB-14	150 mm	215 mm	VME-14612138	1604.35
	14595215	90001-	P-UB-10	130 mm	190 mm	VME-14589144	715.83

LR - Long Reach SLF - Super Long Front QF - Quick Fit FS - Front Shovel MH - Material Handle AS - Articulate Slope

FORMERLY LISTED REPAIR PARTS ARE AVAILABLE ONLINE AT WWW.HERCULESUS.COM
OR BY CONTACTING YOUR REGIONAL HERCULES SALES TEAM.

VOLVO

Replacement Kits For

Excavators								
APPLICATION	CYL #	SERIAL #	CODE	ROD	BORE	KIT #	List \$	
MODEL EC700B HR								
DIPPER ARM	14595215	90001-	Bushing	130 mm		VME-9612-13050	72.58	
MODEL EC700B LC								
BOOM	14511286	10001-10274	P-UB-10	125 mm	190 mm	VME-14618212	1106.90	
	14564681	10275-10940	P-UB-10	125 mm	190 mm	VME-14618212	1106.90	
	14587747	10001-10940	P-UB-14	125 mm	190 mm	VME-14612137	1176.58	
BUCKET	14511684	10001-10940	P-UB-10	140 mm	200 mm	VME-14618215	844.72	
	14528492	10001-10940	P-UB-10	130 mm	190 mm	VME-14618214	840.44	
	14587749	10001-10940	P-UB-14	130 mm	190 mm	VME-14612139	1343.01	
	14587749	10001-10940	Bushing	130 mm		VME-9612-13050	72.58	
	14587750	10001-10940	P-UB-14	140 mm	200 mm	VME-14612140	1275.98	
DIPPER ARM	14528491	10001-10274	P-UB-10	150 mm	215 mm	VME-14618213	1443.72	
	14546548	10001-10274	P-UB-10	150 mm	215 mm	VME-14618213	1443.72	
	14564682	10275-10940	P-UB-10	150 mm	215 mm	VME-14618213	1443.72	
	14587748	10001-10940	P-UB-14	150 mm	215 mm	VME-14612138	1604.35	
HYDRAULIC	14523592	10001-10940	P-UB-14	95 mm	190 mm	VME-14534271	720.62	
MODEL EC700C L								
BOOM	14564681	110001-	P-UB-10	125 mm	190 mm	VME-14618212	1106.90	
	14587747	110001-	P-UB-14	125 mm	190 mm	VME-14612137	1176.58	
BUCKET	14564683	110001-	P-UB-10	130 mm	190 mm	VME-14618214	840.44	
	14564684	110001-	P-UB-10	140 mm	200 mm	VME-14618215	844.72	
	14587749	110001-	P-UB-14	130 mm	190 mm	VME-14612139	1343.01	
	14587749	110001-	Bushing	130 mm		VME-9612-13050	72.58	
	14587750	110001-	P-UB-14	140 mm	200 mm	VME-14612140	1275.98	
DIPPER ARM	14564682	110001-	P-UB-10	150 mm	215 mm	VME-14618213	1443.72	
	14587748	110001-	P-UB-14	150 mm	215 mm	VME-14612138	1604.35	
HYDRAULIC	14523592	110001-	P-UB-14	95 mm	190 mm	VME-14534271	720.62	
MODEL EC700C LD								
BOOM	14564681	110001-	P-UB-10	125 mm	190 mm	VME-14618212	1106.90	
	14587747	110001-	P-UB-14	125 mm	190 mm	VME-14612137	1176.58	
BUCKET	14564683	110001-	P-UB-10	130 mm	190 mm	VME-14618214	840.44	
	14564684	110001-	P-UB-10	140 mm	200 mm	VME-14618215	844.72	
	14587749	110001-	P-UB-14	130 mm	190 mm	VME-14612139	1343.01	
	14587749	110001-	Bushing	130 mm		VME-9612-13050	72.58	
	14587750	110001-	P-UB-14	140 mm	200 mm	VME-14612140	1275.98	
DIPPER ARM	14564682	110001-	P-UB-10	150 mm	215 mm	VME-14618213	1443.72	
	14587748	110001-	P-UB-14	150 mm	215 mm	VME-14612138	1604.35	
HYDRAULIC	14523592	110001-	P-UB-14	95 mm	190 mm	VME-14534271	720.62	
Excavators - Compact								
APPLICATION	CYL #	SERIAL #	CODE	ROD	BORE	KIT #	List \$	
MODEL EC15 XR								
BOOM	11800597	10151-99999	P-U-10	35 mm	60 mm	VME-11988180	121.12	
	5670789	10151-99999	P-U-10	35 mm	60 mm	VME-5960105	58.96	
	5670789	10151-99999	P-U-15	35 mm	60 mm	VME-5960049	47.41	
	5670853	10151-99999	P-U-10	35 mm	60 mm	VME-5960105	58.96	
	5670853	10151-99999	P-U-15	35 mm	60 mm	VME-5960049	47.41	
BOOM EXTENSION	5670508	10151-99999	P-UB-15	30 mm	60 mm	VME-7410836	28.75	
BUCKET	11800599	10151-99999	P-U-10	35 mm	60 mm	VME-11988179	78.50	
	5670821	10151-99999	P-U-10	35 mm	60 mm	VME-5960105	58.96	
	5670821	10151-99999	P-U-15	35 mm	60 mm	VME-5960049	47.41	
	5670859	10151-99999	P-U-10	35 mm	60 mm	VME-5960105	58.96	
	5670859	10151-99999	P-U-15	35 mm	60 mm	VME-5960049	47.41	
DIPPER	11800598	10151-99999	P-U-10	35 mm	60 mm	VME-11988179	78.50	
	5670820	10151-99999	P-U-15	35 mm	60 mm	VME-5960049	47.41	
	5670820	10151-99999	P-U-10	35 mm	60 mm	VME-5960105	58.96	
	5670856	10151-99999	P-U-15	35 mm	60 mm	VME-5960049	47.41	

LR - Long Reach SLF - Super Long Front QF - Quick Fit FS - Front Shovel MH - Material Handle AS - Articulate Slope

VOLVO

Replacement Kits For

Excavators - Compact							
APPLICATION	CYL #	SERIAL #	CODE	ROD	BORE	KIT #	List \$
MODEL EC15 XR							
DIPPER	5670856	10151-99999	P-U-10	35 mm	60 mm	VME-5960105	58.96
DOZER BLADE	11800596	10151-99999	P-U-10	35 mm	63 mm	VME-11988181	83.48
	5670665	10151-99999	P-U-10	35 mm	60 mm	VME-5960105	58.96
	5670665	10151-99999	P-U-15	35 mm	60 mm	VME-5960049	47.41
	5670861	10151-99999	P-U-10	35 mm	60 mm	VME-5960105	58.96
	5670861	10151-99999	P-U-15	35 mm	60 mm	VME-5960049	47.41
SWING	11800600	10151-99999	P-U-10	35 mm	60 mm	VME-11988179	78.50
	5670829	10151-99999	P-U-10	35 mm	60 mm	VME-5960105	58.96
	5670829	10151-99999	P-U-15	35 mm	60 mm	VME-5960049	47.41
	5670864	10151-99999	P-U-10	35 mm	60 mm	VME-5960105	58.96
	5670864	10151-99999	P-U-15	35 mm	60 mm	VME-5960049	47.41
MODEL EC15 XT							
BOOM	11800597	10151-99999	P-U-10	35 mm	60 mm	VME-11988180	121.12
	5670789	10151-99999	P-U-10	35 mm	60 mm	VME-5960105	58.96
	5670789	10151-99999	P-U-15	35 mm	60 mm	VME-5960049	47.41
	5670853	10151-99999	P-U-10	35 mm	60 mm	VME-5960105	58.96
	5670853	10151-99999	P-U-15	35 mm	60 mm	VME-5960049	47.41
BOOM EXTENSION	5670508	10151-99999	P-UB-15	30 mm	60 mm	VME-7410836	28.75
BUCKET	11800599	10151-99999	P-U-10	35 mm	60 mm	VME-11988179	78.50
	5670821	10151-99999	P-U-10	35 mm	60 mm	VME-5960105	58.96
	5670821	10151-99999	P-U-15	35 mm	60 mm	VME-5960049	47.41
	5670859	10151-99999	P-U-15	35 mm	60 mm	VME-5960049	47.41
	5670859	10151-99999	P-U-10	35 mm	60 mm	VME-5960105	58.96
DIPPER	11800598	10151-99999	P-U-10	35 mm	60 mm	VME-11988179	78.50
	5670820	10151-99999	P-U-15	35 mm	60 mm	VME-5960049	47.41
	5670820	10151-99999	P-U-10	35 mm	60 mm	VME-5960105	58.96
	5670856	10151-99999	P-U-15	35 mm	60 mm	VME-5960049	47.41
	5670856	10151-99999	P-U-10	35 mm	60 mm	VME-5960105	58.96
DOZER BLADE	11800596	10151-99999	P-U-10	35 mm	63 mm	VME-11988181	83.48
	5670665	10151-99999	P-U-10	35 mm	60 mm	VME-5960105	58.96
	5670665	10151-99999	P-U-15	35 mm	60 mm	VME-5960049	47.41
	5670861	10151-99999	P-U-15	35 mm	60 mm	VME-5960049	47.41
	5670861	10151-99999	P-U-10	35 mm	60 mm	VME-5960105	58.96
DOZER BLADE, VARIABLE TRACK	11800605	10151-99999	P-U-10	40 mm	70 mm	VME-11988184	94.38
	5670677	10151-99999	P-U-10	40 mm	70 mm	VME-5960104	137.88
	5670862	10151-99999	P-U-10	40 mm	70 mm	VME-5960104	137.88
SWING	11800600	10151-99999	P-U-10	35 mm	60 mm	VME-11988179	78.50
	5670829	10151-99999	P-U-10	35 mm	60 mm	VME-5960105	58.96
	5670829	10151-99999	P-U-15	35 mm	60 mm	VME-5960049	47.41
	5670864	10151-99999	P-U-10	35 mm	60 mm	VME-5960105	58.96
	5670864	10151-99999	P-U-15	35 mm	60 mm	VME-5960049	47.41
MODEL EC15 XTV							
BOOM	11800597	10151-99999	P-U-10	35 mm	60 mm	VME-11988180	121.12
	5670789	10151-99999	P-U-10	35 mm	60 mm	VME-5960105	58.96
	5670789	10151-99999	P-U-15	35 mm	60 mm	VME-5960049	47.41
	5670853	10151-99999	P-U-10	35 mm	60 mm	VME-5960105	58.96
	5670853	10151-99999	P-U-15	35 mm	60 mm	VME-5960049	47.41
BOOM EXTENSION	5670508	10151-99999	P-UB-15	30 mm	60 mm	VME-7410836	28.75
BUCKET	11800599	10151-99999	P-U-10	35 mm	60 mm	VME-11988179	78.50
	5670821	10151-99999	P-U-15	35 mm	60 mm	VME-5960049	47.41
	5670821	10151-99999	P-U-10	35 mm	60 mm	VME-5960105	58.96
	5670859	10151-99999	P-U-15	35 mm	60 mm	VME-5960049	47.41
	5670859	10151-99999	P-U-10	35 mm	60 mm	VME-5960105	58.96
DIPPER	11800598	10151-99999	P-U-10	35 mm	60 mm	VME-11988179	78.50

LR - Long Reach SLF - Super Long Front QF - Quick Fit FS - Front Shovel MH - Material Handle AS - Articulate Slope

FORMERLY LISTED REPAIR PARTS ARE AVAILABLE ONLINE AT WWW.HERCULESUS.COM
OR BY CONTACTING YOUR REGIONAL HERCULES SALES TEAM.

VOLVO

Replacement Kits For

Excavators - Compact							
APPLICATION	CYL #	SERIAL #	CODE	ROD	BORE	KIT #	List \$
MODEL EC15 XTV							
DIPPER	5670820	10151-99999	P-U-15	35 mm	60 mm	VME-5960049	47.41
	5670820	10151-99999	P-U-10	35 mm	60 mm	VME-5960105	58.96
	5670856	10151-99999	P-U-15	35 mm	60 mm	VME-5960049	47.41
	5670856	10151-99999	P-U-10	35 mm	60 mm	VME-5960105	58.96
DOZER BLADE	11800596	10151-99999	P-U-10	35 mm	63 mm	VME-11988181	83.48
	5670665	10151-99999	P-U-10	35 mm	60 mm	VME-5960105	58.96
	5670665	10151-99999	P-U-15	35 mm	60 mm	VME-5960049	47.41
	5670861	10151-99999	P-U-10	35 mm	60 mm	VME-5960105	58.96
	5670861	10151-99999	P-U-15	35 mm	60 mm	VME-5960049	47.41
DOZER BLADE, VARIABLE TRACK	11800605	10151-99999	P-U-10	40 mm	70 mm	VME-11988184	94.38
	5670677	10151-99999	P-U-10	40 mm	70 mm	VME-5960104	137.88
	5670862	10151-99999	P-U-10	40 mm	70 mm	VME-5960104	137.88
SWING	11800600	10151-99999	P-U-10	35 mm	60 mm	VME-11988179	78.50
	5670829	10151-99999	P-U-10	35 mm	60 mm	VME-5960105	58.96
	5670829	10151-99999	P-U-15	35 mm	60 mm	VME-5960049	47.41
	5670864	10151-99999	P-U-10	35 mm	60 mm	VME-5960105	58.96
	5670864	10151-99999	P-U-15	35 mm	60 mm	VME-5960049	47.41
MODEL EC15B XR							
BOOM	11800597	10151-10179	P-U-10	35 mm	60 mm	VME-11988180	121.12
	5670853	10180-UP	P-U-10	35 mm	60 mm	VME-5960105	58.96
BOOM EXTENSION	5670508	10151-99999	P-UB-15	30 mm	60 mm	VME-7410836	28.75
BUCKET	11800599	10151-10179	P-U-10	35 mm	60 mm	VME-11988179	78.50
	5670859	10180-UP	P-U-10	35 mm	60 mm	VME-5960105	58.96
DIPPER	11800598	10151-10179	P-U-10	35 mm	60 mm	VME-11988179	78.50
	5670856	10180-UP	P-U-10	35 mm	60 mm	VME-5960105	58.96
DOZER BLADE	11800596	10151-10179	P-U-10	35 mm	63 mm	VME-11988181	83.48
	5670861	10180-UP	P-U-10	35 mm	60 mm	VME-5960105	58.96
SWING	11800600	10151-10179	P-U-10	35 mm	60 mm	VME-11988179	78.50
	5670864	10180-UP	P-U-10	35 mm	60 mm	VME-5960105	58.96
MODEL EC15B XT							
BOOM	11800597	25151-40000	P-U-10	35 mm	60 mm	VME-11988180	121.12
	5670853	25151-40000	P-U-10	35 mm	60 mm	VME-5960105	58.96
BOOM EXTENSION	5670508	25151-40000	P-UB-15	30 mm	60 mm	VME-7410836	28.75
BUCKET	11800599	25151-40000	P-U-10	35 mm	60 mm	VME-11988179	78.50
	5670859	25151-40000	P-U-10	35 mm	60 mm	VME-5960105	58.96
DIPPER	11800598	25151-40000	P-U-10	35 mm	60 mm	VME-11988179	78.50
	5670856	25151-40000	P-U-10	35 mm	60 mm	VME-5960105	58.96
DOZER BLADE	11800596	25151-40000	P-U-10	35 mm	63 mm	VME-11988181	83.48
	5670861	25151-40000	P-U-10	35 mm	60 mm	VME-5960105	58.96
SWING	11800600	25151-40000	P-U-10	35 mm	60 mm	VME-11988179	78.50
	5670864	25151-40000	P-U-10	35 mm	60 mm	VME-5960105	58.96
MODEL EC15B XTV							
BOOM	11800597	40151-99999	P-U-10	35 mm	60 mm	VME-11988180	121.12
	5670853	40151-99999	P-U-15	35 mm	60 mm	VME-5960049	47.41
	5670853	40151-99999	P-U-10	35 mm	60 mm	VME-5960105	58.96
BOOM EXTENSION	5670508	40151-99999	P-UB-15	30 mm	60 mm	VME-7410836	28.75
BUCKET	11800599	40151-99999	P-U-10	35 mm	60 mm	VME-11988179	78.50
	5670859	40151-99999	P-U-15	35 mm	60 mm	VME-5960049	47.41
	5670859	40151-99999	P-U-10	35 mm	60 mm	VME-5960105	58.96
DIPPER	11800598	40151-99999	P-U-10	35 mm	60 mm	VME-11988179	78.50
	5670856	40151-99999	P-U-10	35 mm	60 mm	VME-5960105	58.96
	5670856	40151-99999	P-U-15	35 mm	60 mm	VME-5960049	47.41
DOZER BLADE	11800596	40151-99999	P-U-10	35 mm	63 mm	VME-11988181	83.48
	5670861	40151-99999	P-U-10	35 mm	60 mm	VME-5960105	58.96

LR - Long Reach SLF - Super Long Front QF - Quick Fit FS - Front Shovel MH - Material Handle AS - Articulate Slope

VOLVO

Replacement Kits For

Excavators - Compact							
APPLICATION	CYL #	SERIAL #	CODE	ROD	BORE	KIT #	List \$
MODEL EC15B XTV							
DOZER BLADE	5670861	40151-99999	P-U-15	35 mm	60 mm	VME-5960049	47.41
SWING	11800600	40151-99999	P-U-10	35 mm	60 mm	VME-11988179	78.50
	5670864	40151-99999	P-U-10	35 mm	60 mm	VME-5960105	58.96
	5670864	40151-99999	P-U-15	35 mm	60 mm	VME-5960049	47.41
MODEL EC20 XT							
BOOM	11800602	10151-99999	P-U-10	35 mm	63 mm	VME-11988183	130.93
	5670788	10151-99999	P-U-15	35 mm	63 mm	VME-5960050	52.09
	5670788	10151-99999	P-U-10	35 mm	63 mm	VME-5960102	71.93
	5670854	10151-99999	P-U-15	35 mm	63 mm	VME-5960050	52.09
	5670854	10151-99999	P-U-10	35 mm	63 mm	VME-5960102	71.93
BUCKET	11800601	10151-99999	P-U-10	35 mm	60 mm	VME-11988179	78.50
	5670822	10151-99999	P-U-10	35 mm	60 mm	VME-5960105	58.96
	5670822	10151-99999	P-U-15	35 mm	60 mm	VME-5960049	47.41
	5670860	10151-99999	P-U-10	35 mm	60 mm	VME-5960105	58.96
	5670860	10151-99999	P-U-15	35 mm	60 mm	VME-5960049	47.41
DIPPER		10151-99999	P-U-10	35 mm	60 mm	VME-5960105	58.96
		10151-99999	P-U-10	40 mm	63 mm	VME-15174598	96.53
	5670829	10151-99999	P-U-15	35 mm	60 mm	VME-5960049	47.41
	5670864	10151-99999	P-U-15	35 mm	60 mm	VME-5960049	47.41
DOZER BLADE	11800605	10151-99999	P-U-10	40 mm	70 mm	VME-11988184	94.38
	5670677	10151-99999	P-U-10	40 mm	70 mm	VME-5960104	137.88
	5670862	10151-99999	P-U-10	40 mm	70 mm	VME-5960104	137.88
SWING	11800600	10151-99999	P-U-10	35 mm	60 mm	VME-11988179	78.50
	5670829	10151-99999	P-U-10	35 mm	60 mm	VME-5960105	58.96
	5670829	10151-99999	P-U-15	35 mm	60 mm	VME-5960049	47.41
	5670864	10151-99999	P-U-10	35 mm	60 mm	VME-5960105	58.96
	5670864	10151-99999	P-U-15	35 mm	60 mm	VME-5960049	47.41
MODEL EC20 XTV							
BOOM	11800602	10151-99999	P-U-10	35 mm	63 mm	VME-11988183	130.93
	5670788	10151-99999	P-U-15	35 mm	63 mm	VME-5960050	52.09
	5670788	10151-99999	P-U-10	35 mm	63 mm	VME-5960102	71.93
	5670854	10151-99999	P-U-10	35 mm	63 mm	VME-5960102	71.93
	5670854	10151-99999	P-U-15	35 mm	63 mm	VME-5960050	52.09
BUCKET	11800601	10151-99999	P-U-10	35 mm	60 mm	VME-11988179	78.50
	5670822	10151-99999	P-U-10	35 mm	60 mm	VME-5960105	58.96
	5670822	10151-99999	P-U-15	35 mm	60 mm	VME-5960049	47.41
	5670860	10151-99999	P-U-15	35 mm	60 mm	VME-5960049	47.41
	5670860	10151-99999	P-U-10	35 mm	60 mm	VME-5960105	58.96
DIPPER		10151-99999	P-U-10	40 mm	63 mm	VME-15174598	96.53
	5670857	10151-99999	P-U-10	40 mm	60 mm	VME-5960103	97.92
	5670857	10151-99999	P-U-15	40 mm	63 mm	VME-5960051	83.79
DOZER BLADE	11800605	10151-99999	P-U-10	40 mm	70 mm	VME-11988184	94.38
	5670677	10151-99999	P-U-10	40 mm	70 mm	VME-5960104	137.88
	5670862	10151-99999	P-U-10	40 mm	70 mm	VME-5960104	137.88
SWING	11800600	10151-99999	P-U-10	35 mm	60 mm	VME-11988179	78.50
	5670829	10151-99999	P-U-10	35 mm	60 mm	VME-5960105	58.96
	5670829	10151-99999	P-U-15	35 mm	60 mm	VME-5960049	47.41
	5670864	10151-99999	P-U-15	35 mm	60 mm	VME-5960049	47.41
	5670864	10151-99999	P-U-10	35 mm	60 mm	VME-5960105	58.96
MODEL EC20B XT							
BOOM	11800602	60151-80000	P-U-10	35 mm	63 mm	VME-11988183	130.93
	5670854	60151-80000	P-U-10	35 mm	63 mm	VME-5960102	71.93
BUCKET	11800601	60151-80000	P-U-10	35 mm	60 mm	VME-11988179	78.50
	5670860	60151-80000	P-U-10	35 mm	60 mm	VME-5960105	58.96
DIPPER		60151-80000	P-U-10	40 mm	63 mm	VME-15174598	96.53

LR - Long Reach SLF - Super Long Front QF - Quick Fit FS - Front Shovel MH - Material Handle AS - Articulate Slope

FORMERLY LISTED REPAIR PARTS ARE AVAILABLE ONLINE AT WWW.HERCULESUS.COM
OR BY CONTACTING YOUR REGIONAL HERCULES SALES TEAM.

VOLVO

Replacement Kits For

Excavators - Compact							
APPLICATION	CYL #	SERIAL #	CODE	ROD	BORE	KIT #	List \$
MODEL EC20B XT							
DIPPER	5670857	60151-80000	P-U-10	40 mm	60 mm	VME-5960103	97.92
DOZER BLADE	11800605	60151-80000	P-U-10	40 mm	70 mm	VME-11988184	94.38
	5670862	60151-80000	P-U-10	40 mm	70 mm	VME-5960104	137.88
SWING	11800600	60151-80000	P-U-10	35 mm	60 mm	VME-11988179	78.50
	5670864	60151-80000	P-U-10	35 mm	60 mm	VME-5960105	58.96
MODEL EC20B XTV							
BOOM	11800602	80151-99999	P-U-10	35 mm	63 mm	VME-11988183	130.93
	5670854	80151-99999	P-U-10	35 mm	63 mm	VME-5960102	71.93
BUCKET	11800601	80151-99999	P-U-10	35 mm	60 mm	VME-11988179	78.50
	5670860	80151-99999	P-U-10	35 mm	60 mm	VME-5960105	58.96
DIPPER		80151-99999	P-U-10	40 mm	63 mm	VME-15174598	96.53
	5670857	80151-99999	P-U-10	40 mm	60 mm	VME-5960103	97.92
DOZER BLADE	11800605	80151-99999	P-U-10	40 mm	70 mm	VME-11988184	94.38
	5670862	80151-99999	P-U-10	40 mm	70 mm	VME-5960104	137.88
SWING	11800600	80151-99999	P-U-10	35 mm	60 mm	VME-11988179	78.50
	5670864	80151-99999	P-U-10	35 mm	60 mm	VME-5960105	58.96
MODEL EC25							
BOOM	11800606	10151-99999	P-U-10	45 mm	70 mm	VME-11988358	135.93
	5670880	10151-99999	P-U-10	45 mm	70 mm	VME-5960121	100.20
BUCKET		10151-99999	P-U-10	40 mm	63 mm	VME-15174598	96.53
	5670850	10151-99999	P-U-10	40 mm	60 mm	VME-5960103	97.92
DIPPER	11800607	10151-99999	P-U-10	45 mm	70 mm	VME-11988359	72.27
	5670851	10151-99999	P-U-10	45 mm	70 mm	VME-5960100	132.93
DOZER BLADE	11800609	10151-99999	P-U-10	50 mm	90 mm	VME-11988360	86.38
	5670882	10151-99999	P-U-10	50 mm	90 mm	VME-5960124	107.51
SWING	11800608	10151-99999	P-U-10	45 mm	70 mm	VME-11988359	72.27
	5670879	10151-99999	P-U-10	45 mm	70 mm	VME-5960100	132.93
MODEL EC30							
BOOM	11800610	10151-99999	P-U-10	45 mm	80 mm	VME-11988361	88.12
	5670877	10151-99999	P-U-10	45 mm	80 mm	VME-5960123	125.13
BUCKET		10151-99999	P-U-10	40 mm	63 mm	VME-15174598	96.53
	5670850	10151-99999	P-U-10	40 mm	60 mm	VME-5960103	97.92
DIPPER	11800611	10151-99999	P-U-10	45 mm	70 mm	VME-11988359	72.27
	5670878	10151-99999	P-U-10	45 mm	70 mm	VME-5960100	132.93
DOZER BLADE	11800609	10151-99999	P-U-10	50 mm	90 mm	VME-11988360	86.38
	5670882	10151-99999	P-U-10	50 mm	90 mm	VME-5960124	107.51
SWING	11800608	10151-99999	P-U-10	45 mm	70 mm	VME-11988359	72.27
	5670879	10151-99999	P-U-10	45 mm	70 mm	VME-5960100	132.93
MODEL EC35							
BOOM	11800615	28310151-28399999	P-U-10	50 mm	90 mm	VME-11988983	124.72
	PJ5670847	28310151-28399999	P-U-10	50 mm	90 mm	VME-5960122	112.65
BOOM OFFSET	11800614	28310151-28399999	P-U-10	45 mm	80 mm	VME-11988361	88.12
	PJ5670873	28310151-28399999	P-U-10	45 mm	80 mm	VME-5960123	125.13
BUCKET	11800612	28310151-28399999	P-U-10	45 mm	70 mm	VME-11988359	72.27
	PJ5670848	28310151-28399999	P-U-10	45 mm	70 mm	VME-5960100	132.93
DIPPER ARM	11800613	28310151-28399999	P-U-10	50 mm	80 mm	VME-11988963	119.74
	PJ5670849	28310151-28399999	P-U-10	50 mm	80 mm	VME-5960101	145.78
MODEL EC55							
BOOM	1146-06451	5001-7620	P-UB-14	60 mm	105 mm	VME-14589154	350.61
	1146-06461	5001-7620	P-UB-14	60 mm	105 mm	VME-14589154	350.61
	14501658	5001-7620	P-UB-14	60 mm	105 mm	VME-14589154	350.61
	14501659	5001-7620	P-UB-14	60 mm	105 mm	VME-14589154	350.61
	14507999	20001-21355	P-UB-14	60 mm	105 mm	VME-14589154	350.61
BUCKET	1146-01191	20001-21355	P-UB-14	50 mm	80 mm	VME-14589150	270.21
	1146-01191	5001-7620	P-UB-14	50 mm	80 mm	VME-14589150	270.21

LR - Long Reach SLF - Super Long Front QF - Quick Fit FS - Front Shovel MH - Material Handle AS - Articulate Slope

VOLVO

Replacement Kits For

Excavators - Compact							
APPLICATION	CYL #	SERIAL #	CODE	ROD	BORE	KIT #	List \$
MODEL EC55							
DIPPER ARM	14503580	20001-21355	P-UB-14	55 mm	90 mm	VME-14589153	255.43
	14503580	5001-7620	P-UB-14	55 mm	90 mm	VME-14589153	255.43
	14508004	20001-21355	P-UB-14	55 mm	90 mm	VME-14589153	255.43
DOZER BLADE	1146-01201	20001-21355	P-UB-14	60 mm	105 mm	VME-8148-14041	266.29
	1146-01201	5001-7620	P-UB-14	60 mm	105 mm	VME-8148-14041	266.29
SWING	1146-01211	20001-21355	P-UB-14	45 mm	90 mm	VME-8148-14051	221.09
	1146-01211	5001-7620	P-UB-14	45 mm	90 mm	VME-8148-14051	221.09
MODEL EC55B							
BOOM	1146-06461	30001-31254	P-UB-14	60 mm	105 mm	VME-14589154	350.61
	14501658	30001-31254	P-UB-14	60 mm	105 mm	VME-14589154	350.61
	14501659	30001-31254	P-UB-14	60 mm	105 mm	VME-14589154	350.61
	14507999	30001-31254	P-UB-14	60 mm	105 mm	VME-14589154	350.61
	14524922	31255-	P-UB-14	60 mm	105 mm	VME-14589154	350.61
	14524923	31255-	P-UB-14	60 mm	105 mm	VME-14589154	350.61
	14524924	31255-50129	P-UB-14	60 mm	105 mm	VME-14589154	350.61
	14524925	31255-	P-UB-14	60 mm	105 mm	VME-14589154	350.61
	14533036	34476-	P-UB-10	60 mm	110 mm	VME-14589148	213.77
	14535784	34476-	P-UB-10	60 mm	110 mm	VME-14589148	213.77
	14535784	50130-	P-UB-10	60 mm	110 mm	VME-14589148	213.77
	14540392	34476-	P-UB-10	60 mm	110 mm	VME-14589148	213.77
	14540392	50130-	P-UB-10	60 mm	110 mm	VME-14589148	213.77
	BUCKET	1146-01191	30001-31254	P-UB-14	50 mm	80 mm	VME-14589150
14524787		31255	P-UB-14	50 mm	80 mm	VME-14589150	270.21
DIPPER ARM	14503580	30001-	P-UB-14	55 mm	90 mm	VME-14589153	255.43
	14503580	50001-	P-UB-14	55 mm	90 mm	VME-14589153	255.43
	14521124	30001-	P-UB-14	55 mm	90 mm	VME-14589153	255.43
	14521124	50001-	P-UB-14	55 mm	90 mm	VME-14589153	255.43
DOZER BLADE	14518032	30001-32308	P-UB-14	60 mm	105 mm	VME-14520420	261.88
	14518032	50001-50026	P-UB-14	60 mm	105 mm	VME-14520420	261.88
	14528340	32309-	P-UB-14	60 mm	105 mm	VME-14520420	261.88
	14528340	50027-	P-UB-14	60 mm	105 mm	VME-14520420	261.88
SWING	1146-01211	30001-	P-UB-14	45 mm	90 mm	VME-8148-14051	221.09
	1146-01211	50001-	P-UB-14	45 mm	90 mm	VME-8148-14051	221.09
MODEL ECR58							
BOOM	14519229	10001-	P-UB-10	55 mm	100 mm	VME-14524766	152.23
BOOM SWING	14519233	10001-	P-UB-10	45 mm	85 mm	VME-14524769	171.50
BUCKET	14519231	10001-10135	P-UB-10	50 mm	75 mm	VME-14524768	162.97
	14532855	10136-	P-UB-10	50 mm	75 mm	VME-14524768	162.97
DIPPER ARM	14519230	10001-	P-UB-10	55 mm	85 mm	VME-14524767	175.65
MODEL ECR88							
BOOM	14528551	10001-	P-UB-10	70 mm	105 mm	VME-14530833	266.00
	14528552	10001-	P-UB-10	70 mm	105 mm	VME-14530833	266.00
BUCKET	14522092	10001-	P-UB-10	55 mm	80 mm	VME-14530719	308.02
	14522093	10001-	P-UB-10	55 mm	80 mm	VME-14530719	308.02
DIPPER ARM	14520122	10001-11285	P-UB-10	60 mm	90 mm	VME-14530716	307.77
	14521325	1001-11285	P-UB-10	60 mm	90 mm	VME-14530716	307.77
	14546791	11286-	P-UB-10	60 mm	90 mm	VME-14530716	307.77
	14549303	11286-	P-UB-10	60 mm	90 mm	VME-14530716	307.77
DOZER BLADE	14520124	10001-	P-UB-10	95 mm	130 mm	VME-14530717	273.59
SWING	14520125	10001-	P-UB-10	55 mm	100 mm	VME-14530718	221.99
Forestry - Log Skidders							
APPLICATION	CYL #	SERIAL #	CODE	ROD	BORE	KIT #	List \$
MODEL 662							
STEER & BLADE	1904666	501A;501B;502A;502B	P-U-10	1-3/4	3-1/2	VME-1991086	82.65

LR - Long Reach SLF - Super Long Front QF - Quick Fit FS - Front Shovel MH - Material Handle AS - Articulate Slope

FORMERLY LISTED REPAIR PARTS ARE AVAILABLE ONLINE AT WWW.HERCULESUS.COM
OR BY CONTACTING YOUR REGIONAL HERCULES SALES TEAM.

VOLVO

Replacement Kits For

Forestry - Log Skidders							
APPLICATION	CYL #	SERIAL #	CODE	ROD	BORE	KIT #	List \$
MODEL 664							
STEER & BLADE	1904674	C9014;C9024;C9034;C9044	P-U-10	1-3/4	3-1/2	VME-1991086	82.65
	1906258	C9014;C9024;C9034;C9044	P-U-10	1-3/4	3-1/2	VME-1991086	82.65
MODEL 664B							
ARCH	1906258	514E;514F;508A;508B;508C	P-U-10	1-3/4	3-1/2	VME-1991086	82.65
GRAPPLE	1916232	514E;514F;508A;508B;508C	P-TR-10	2-3/4	6	VME-1991089	186.26
STEER & BLADE	1906258	514E;514F;508A;508B;508C	P-U-10	1-3/4	3-1/2	VME-1991086	82.65
MODEL 664C							
ARCH	1904666	514H;508H;546H	P-U-10	1-3/4	3-1/2	VME-1991086	82.65
GRAPPLE	1916232	514H;508H;546H	P-TR-10	2-3/4	6	VME-1991089	186.26
STEER & BLADE	1904666	514H;508H;546H	P-U-10	1-3/4	3-1/2	VME-1991086	82.65
MODEL 664D							
ARCH	2552115	528A-528D;540A;529C;551D-551G	P-UB-10	2	4	VME-2551403	124.17
STEER & BLADE	2552115	528A-528D;540A;529C;551D-551G	P-UB-10	2	4	VME-2551403	124.17
MODEL 666							
STEER & BLADE	1904674	C9016;C9026;C9036;C9046	P-U-10	1-3/4	3-1/2	VME-1991086	82.65
	1906258	C9016;C9026;C9036;C9046	P-U-10	1-3/4	3-1/2	VME-1991086	82.65
MODEL 666B							
ARCH	1906258	513E-513G;515A;500D-500G;526A	P-U-10	1-3/4	3-1/2	VME-1991086	82.65
GRAPPLE	1916232	513E-513G;515A;500D-500G;526A	P-TR-10	2-3/4	6	VME-1991089	186.26
STEER & BLADE	1904674	513E-513G;515A;500D-500G;526A	P-U-10	1-3/4	3-1/2	VME-1991086	82.65
	1906258	513E-513G;515A;500D-500G;526A	P-U-10	1-3/4	3-1/2	VME-1991086	82.65
MODEL 666C							
ARCH	1904666	513H;500H;515H;542H;526H	P-U-10	1-3/4	3-1/2	VME-1991086	82.65
GRAPPLE	1916232	513H;500H;515H;542H;526H	P-TR-10	2-3/4	6	VME-1991089	186.26
	2552121	513H;500H;515H;542H;526H	P-UB-10	2	4	VME-2551403	124.17
STEER & BLADE	1904666	513H;500H;515H;542H;526H	P-U-10	1-3/4	3-1/2	VME-1991086	82.65
MODEL 666D							
ARCH	2552115	548A;549A;552A;555A;559A;564B	P-UB-10	2	4	VME-2551403	124.17
BOOM	2552115	548A;549A;552A;555A;559A;564B	P-UB-10	2	4	VME-2551403	124.17
GRAPPLE	2552115	548A;549A;552A;555A;559A;564B	P-UB-10	2	4	VME-2551403	124.17
	2552121	548A;549A;552A;555A;559A;564B	P-UB-10	2	4	VME-2551403	124.17
STEER & BLADE	2552361	548A;549A;552A;555A;559A;564B	P-UB-10	1-3/4	3-1/2	VME-2542570	133.69
MODEL 667C							
ARCH	1917220	503B;504B-C;509B;510B-C;534B-C;535A;536B-C;537A	P-U-10	1-3/4	3-1/2	VME-1991086	82.65
	2552115	503B;504B-C;509B;510B-C;534B-C;535A;536B-C;537A	P-UB-10	2	4	VME-2551403	124.17
BOOM	1919023	503B;504B-C;509B;510B-C;534B-C;535A;536B-C;537A	P-U-10	1-3/4	3-1/2	VME-1991086	82.65
GRAPPLE	1916232	503B;504B-C;509B;510B-C;534B-C;535A;536B-C;537A	P-TR-10	2-3/4	6	VME-1991089	186.26
STEER & BLADE	1917220	503B;504B-C;509B;510B-C;534B-C;535A;536B-C;537A	P-U-10	1-3/4	3-1/2	VME-1991086	82.65
MODEL 667D							
ARCH	2552115	534D;534E;535D-G;536D-E;537D-G;556G;557G	P-UB-10	2	4	VME-2551403	124.17
BOOM	1919023	534D;534E;535D-G;536D-E;537D-G;556G;557G	P-U-10	1-3/4	3-1/2	VME-1991086	82.65
	2552115	534D;534E;535D-G;536D-E;537D-G;556G;557G	P-UB-10	2	4	VME-2551403	124.17
STEER & BLADE	2552361	534D;534E;535D-G;536D-E;537D-G;556G;557G	P-UB-10	1-3/4	3-1/2	VME-2542570	133.69
MODEL 668							
TILT	2518802	505A;507A	P-U-10	1-3/4	3-1/2	VME-2538177	108.93
MODEL 668B							
TILT	2518802	505B;507B	P-U-10	1-3/4	3-1/2	VME-2538177	108.93
MODEL 668C							
STEER & BLADE	2537607	505C;507C;532A;533A;538C;539C	P-U-10	2	4	VME-2530107	86.12

LR - Long Reach SLF - Super Long Front QF - Quick Fit FS - Front Shovel MH - Material Handle AS - Articulate Slope

VOLVO

Replacement Kits For

Forestry - Log Skidders							
APPLICATION	CYL #	SERIAL #	CODE	ROD	BORE	KIT #	List \$
MODEL 668D							
STEER & BLADE	2552141	507D;507E;532D;532E;539D;539E	P-UB-10	2	4	VME-2551403	124.17
MODEL F65							
ARCH	2552115	553G;553GC;554G;554GC	P-UB-10	2	4	VME-2551403	124.17
GRAPPLE	2552121	553G;553GC;554G;554GC	P-UB-10	2	4	VME-2551403	124.17
STEER & BLADE	2552115	553G;553GC;554G;554GC	P-UB-10	2	4	VME-2551403	124.17
MODEL F665							
ARCH	2552115	553G;554G	P-UB-10	2	4	VME-2551403	124.17
GRAPPLE	2552121	553G;554G	P-UB-10	2	4	VME-2551403	124.17
STEER & BLADE	2552115	553G;554G	P-UB-10	2	4	VME-2551403	124.17
MODEL F666							
ARCH	2552115	559B;555B;564B	P-UB-10	2	4	VME-2551403	124.17
BOOM	2552115	559B;555B;564B	P-UB-10	2	4	VME-2551403	124.17
GRAPPLE	2552121	559B;555B;564B	P-UB-10	2	4	VME-2551403	124.17
STEER & BLADE	2552361	559B;555B;564B	P-UB-10	1-3/4	3-1/2	VME-2542570	133.69
MODEL F668							
STEER & BLADE	2552141	565A;566A	P-UB-10	2	4	VME-2551403	124.17
Loaders - Skid Steer							
APPLICATION	CYL #	SERIAL #	CODE	ROD	BORE	KIT #	List \$
MODEL MC90							
ARM	11841419	60000-61000	I-U-10	1-5/8	2-3/4	VME-11711929	44.24
TILT LH	11850382	60000-61000	I-U-10	1-1/2	3	VME-11711451	46.15
TILT RH	11850383	60000-61000	I-U-10	1-1/2	3	VME-11711451	46.15
MODEL MC90B							
ARM	11841419	61001-62000	I-U-10	1-5/8	2-3/4	VME-11711929	44.24
TILT LH	11851262	61001-62000	I-U-10	1-1/2	3	VME-11711451	46.15
TILT RH	11851263	61001-62000	I-U-10	1-1/2	3	VME-11711451	46.15
Loaders - Wheel							
APPLICATION	CYL #	SERIAL #	CODE	ROD	BORE	KIT #	List \$
MODEL 12B							
BUCKET	1503797		I-U-10	1-3/4	3-1/2	VME-2516072	73.65
MODEL 35A							
BOOM	1504471		P-V-10	2-3/4	6	VME-2516065	153.23
BUCKET	1504470		P-U-10	2	5	VME-2516059	128.44
CLAMP	2512955		P-V-10	1-3/4	3-1/2	VME-2516071	109.71
STEERING	1524562		I-U-10	1	2-1/2	VME-2516055	45.86
	1524563		I-U-10	1	2-1/2	VME-2516055	45.86
MODEL 35AWS							
BOOM	1504471	C5WG9-301-999;7WG101;-C3WA9-91-999	P-V-10	2-3/4	6	VME-2516065	153.23
BUCKET	1504470	C5WG9-301-999;7WG101;-C3WA9-91-999	P-U-10	2	5	VME-2516059	128.44
CLAMP	2512955		P-V-10	1-3/4	3-1/2	VME-2516071	109.71
STEERING	1524562	C5WG9-301-999;7WG101;-C3WA9-91-999	I-U-10	1	2-1/2	VME-2516055	45.86
	1524563	C5WG9-301-999;7WG101;-C3WA9-91-999	I-U-10	1	2-1/2	VME-2516055	45.86
MODEL 35B							
CLAMP			P-V-10	1-3/4	3-1/2	VME-2516071	109.71
STEERING	1524562		I-U-10	1	2-1/2	VME-2516055	45.86
	1524563		I-U-10	1	2-1/2	VME-2516055	45.86
MODEL 35R							
BOOM			P-V-10	2-3/4	6	VME-2516065	153.23
BUCKET			P-U-10	2	5	VME-2516059	128.44
CLAMP			P-V-10	1-3/4	3-1/2	VME-2516071	109.71
STEERING			I-U-10	1	2-1/2	VME-2516055	45.86
MODEL 45A							
BOOM	1504472		P-U-10	2-3/4	7	VME-2516148	185.09
BUCKET	1504470		P-U-10	2	5	VME-2516059	128.44
STEERING	1524562		I-U-10	1	2-1/2	VME-2516055	45.86
	1524563		I-U-10	1	2-1/2	VME-2516055	45.86

LR - Long Reach SLF - Super Long Front QF - Quick Fit FS - Front Shovel MH - Material Handle AS - Articulate Slope

FORMERLY LISTED REPAIR PARTS ARE AVAILABLE ONLINE AT WWW.HERCULESUS.COM
OR BY CONTACTING YOUR REGIONAL HERCULES SALES TEAM.

VOLVO

Replacement Kits For

Loaders - Wheel							
APPLICATION	CYL #	SERIAL #	CODE	ROD	BORE	KIT #	List \$
MODEL 45B, 45FB							
BOOM	3980095		P-V-10	2	4-1/2	VME-2516271	97.89
BUCKET	3980108		P-U-10	1-3/4	3-1/2	VME-2516270	104.06
	3980125		P-U-10	1-3/4	3-1/2	VME-2516270	104.06
CLAMP	1539308		P-V-10	1-3/4	3-1/2	VME-2516071	109.71
GRAPPLE	1539308		P-V-10	1-3/4	3-1/2	VME-2516071	109.71
STEERING	3980906		I-U-10	1-1/4	2-1/2	VME-2516272	83.84
MODEL 55A, 55A-II, 55-III, 55-III A, 55-III A GRR							
BOOM			P-U-10	2-1/4	5	VME-2530108	102.75
			P-UB-10	2-1/4	5	VME-2542577	168.39
			P-V-10	1-3/4	3-1/2	VME-2516071	109.71
	1507822	416A101-416A499;4160A101FSC-4160A499FSC	I-U-10	2-1/4	5	VME-2516060	88.22
	1507823	416A101-416A499;4160A101FSC-4160A499FSC	I-U-10	2-1/4	5	VME-2516060	88.22
	1508377	9BG101-;9BA101-	P-U-10	2	3-1/2	VME-2516073	91.87
	1546056	433A101-;416A500-;4160A500FSC-;4152A102FSC-	I-U-10	2-1/4	5	VME-2516060	88.22
	1546057	433A101-;416A500-;4160A500FSC-;4152A102FSC-	I-U-10	2-1/4	5	VME-2516060	88.22
	2514111	433B700CAC-;433B395FSC-;416C857CAC-;416C205FSC-	P-U-10	2-1/4	5	VME-2516058	100.34
2514122	433B700CAC-;433B395FSC-;416C857CAC-;416C205FSC-	P-U-10	2-1/4	5	VME-2516058	100.34	
BUCKET			P-U-10	2	4	VME-2530107	86.12
			P-UB-10	2	4	VME-2551403	124.17
	1507711	9BG101-;9BA101-	P-U-10	2	3-1/2	VME-2516073	91.87
	1539308		P-V-10	1-3/4	3-1/2	VME-2516071	109.71
	1545412	433A101-433A110;416A101-416A519;4160A500FSC-;4152A102FSC-	P-U-10	2	4	VME-2516090	82.82
	1549758	433A111-;416A520-	P-U-10	2	4	VME-2516090	82.82
CLAMP	1539308		P-V-10	1-3/4	3-1/2	VME-2516071	109.71
SIDE DUMP	1545577		P-U-10	2	3-1/2	VME-2516073	91.87
STEERING			P-UB-10	1-3/4	3-1/2	VME-2542570	133.69
			P-U-10	1-3/4	3-1/2	VME-2538177	108.93
	1503828	9BG101-;9BA101-	I-U-10	1	2-1/2	VME-2516055	45.86
	1508904	416C101FSC-273;4152101ENC-;4152C101FSC-	I-U-10	1-3/4	3-1/2	VME-2516072	73.65
	1508904	433B101C-;433B101ENC-;433B101FSC-631FSC;416C101C-	I-U-10	1-3/4	3-1/2	VME-2516072	73.65
MODEL 55B							
BOOM			P-U-10	2	3-1/2	VME-2516073	91.87
			P-UB-10	2-1/4	5	VME-2542577	168.39
			P-U-10	2-1/4	5	VME-2530108	102.75
			I-U-10	2-1/4	5	VME-2516060	88.22
			P-V-10	1-3/4	3-1/2	VME-2516071	109.71
	2514111		P-U-10	2-1/4	5	VME-2516058	100.34
	2514122		P-U-10	2-1/4	5	VME-2516058	100.34
BUCKET			P-UB-10	2	4	VME-2551403	124.17
			P-V-10	1-3/4	3-1/2	VME-2516071	109.71
			P-U-10	2	3-1/2	VME-2516073	91.87
			P-U-10	2	4	VME-2516090	82.82
	2532635		P-U-10	2	4	VME-2530107	86.12
CLAMP	1539306		P-V-10	1-3/4	3-1/2	VME-2516071	109.71
SIDE DUMP	1545577		P-U-10	2	3-1/2	VME-2516073	91.87
STEERING			I-U-10	1	2-1/2	VME-2516055	45.86
			I-U-10	1-3/4	3-1/2	VME-2516072	73.65
			P-UB-10	1-3/4	3-1/2	VME-2542570	133.69
			P-U-10	1-3/4	3-1/2	VME-2538177	108.93
	2532705		P-U-10	1-3/4	3-1/2	VME-2538177	108.93

LR - Long Reach SLF - Super Long Front QF - Quick Fit FS - Front Shovel MH - Material Handle AS - Articulate Slope

VOLVO

Replacement Kits For

VOLVO

Loaders - Wheel							
APPLICATION	CYL #	SERIAL #	CODE	ROD	BORE	KIT #	List \$
MODEL 75A-II							
BOOM			P-U-10	2-1/4	5	VME-2516061	123.43
			P-V-10	2-1/4	4-1/2	VME-2516070	127.98
			P-U-10	2	5	VME-2516059	128.44
BUCKET			P-V-10	2-1/4	4-1/2	VME-2516070	127.98
			P-U-10	2	4	VME-2516088	123.67
			P-U-10	2	5	VME-2516059	128.44
CLAMP			P-V-10	1-3/4	3-1/2	VME-2516071	109.71
SIDE DUMP			P-V-10	1-3/4	3-1/2	VME-2516071	109.71
STEERING			P-V-10	1-3/4	3-1/2	VME-2516071	109.71
	1503828		I-U-10	1	2-1/2	VME-2516055	45.86
MODEL 75B, LF75B							
BOOM	1518977		P-U-10	2-1/4	5	VME-2516058	100.34
	1518977		P-U-10	2-1/4	5	VME-2530108	102.75
	1518978		P-U-10	2-1/4	5	VME-2516058	100.34
	1518978		P-U-10	2-1/4	5	VME-2530108	102.75
	1546056		I-U-10	2-1/4	5	VME-2516060	88.22
	1546057		I-U-10	2-1/4	5	VME-2516060	88.22
	2514111		P-U-10	2-1/4	5	VME-2516058	100.34
	2514122		P-U-10	2-1/4	5	VME-2516058	100.34
	2518075		P-U-10	2-1/4	5	VME-2530108	102.75
	2518075		P-U-10	2-1/4	5	VME-2516058	100.34
	2518076		P-U-10	2-1/4	5	VME-2516058	100.34
	2518076		P-U-10	2-1/4	5	VME-2530108	102.75
	2527513		P-U-10	2-1/4	5	VME-2530108	102.75
	2527549		P-U-10	2-1/4	5	VME-2530108	102.75
	2528565		P-U-10	2-1/4	5	VME-2530108	102.75
	2528566		P-U-10	2-1/4	5	VME-2530108	102.75
	2541827		P-UB-10	2-1/4	5	VME-2542577	168.39
2541828		P-UB-10	2-1/4	5	VME-2542577	168.39	
BUCKET			P-U-10	2-1/4	5	VME-2530108	102.75
	1511554		P-V-10	2-1/4	4-1/4	VME-2516054	88.00
	2518071		P-V-10	2-1/4	4-1/4	VME-2516054	88.00
	2520412		P-U-10	2-1/4	5	VME-2516058	100.34
	2532204		P-U-10	2-1/4	5	VME-2516058	100.34
	964581		P-UB-10	2-1/4	5	VME-2542577	168.39
CLAMP	1539308		P-V-10	1-3/4	3-1/2	VME-2516071	109.71
SIDE DUMP	1545577		P-U-10	2	3-1/2	VME-2516073	91.87
STEERING			P-U-10	1-3/4	3-1/2	VME-2538177	108.93
	1508904		I-U-10	1-3/4	3-1/2	VME-2516072	73.65
	2532706		P-UB-10	1-3/4	3-1/2	VME-2542570	133.69
MODEL 75-III							
BOOM	1503887	10CG101-	P-V-10	2-1/4	4-1/2	VME-2516070	127.98
BUCKET	1503233	10CG101-	P-U-10	2	4	VME-2516088	123.67
	1507808	10CG101-	P-U-10	2	4	VME-2516088	123.67
STEERING	1503828	10CG101-	I-U-10	1	2-1/2	VME-2516055	45.86
MODEL 75-III A							
BOOM			P-U-10	2	5	VME-2516059	128.44
	1535946		P-U-10	2-1/4	5	VME-2516061	123.43
BUCKET			P-U-10	2	5	VME-2516059	128.44
	1509802		P-V-10	2-1/4	4-1/2	VME-2516070	127.98
	1536064		P-V-10	2-1/4	4-1/2	VME-2516070	127.98
CLAMP	1539308		P-V-10	1-3/4	3-1/2	VME-2516071	109.71
SIDE DUMP			P-V-10	1-3/4	3-1/2	VME-2516071	109.71
STEERING	1504836		P-V-10	1-3/4	3-1/2	VME-2516071	109.71
MODEL 85A, 85A-II							
STEERING	1503828		I-U-10	1	2-1/2	VME-2516055	45.86

LR - Long Reach SLF - Super Long Front QF - Quick Fit FS - Front Shovel MH - Material Handle AS - Articulate Slope

FORMERLY LISTED REPAIR PARTS ARE AVAILABLE ONLINE AT WWW.HERCULESUS.COM
OR BY CONTACTING YOUR REGIONAL HERCULES SALES TEAM.

VOLVO

Replacement Kits For

Loaders - Wheel							
APPLICATION	CYL #	SERIAL #	CODE	ROD	BORE	KIT #	List \$
MODEL 85A, 85A-II							
STEERING	1503875		I-U-10	1	2-1/2	VME-2516055	45.86
MODEL 85A-II, 85-III, 85-IIIA							
BOOM			P-U-10	2	5	VME-2516059	128.44
	1502853		P-V-10	2-3/4	6	VME-2516065	153.23
	1502854		P-V-10	2-3/4	6	VME-2516065	153.23
	1503887		P-V-10	2-1/4	4-1/2	VME-2516070	127.98
BUCKET			P-V-10	2-3/4	6	VME-2516065	153.23
	1507808		P-U-10	2	4	VME-2516088	123.67
	1509813		P-V-10	2-1/4	4-1/2	VME-2516070	127.98
CLAMP			P-V-10	2-1/4	4-1/2	VME-2516070	127.98
SIDE DUMP			P-U-10	2	5	VME-2516059	128.44
STEERING	1503875		I-U-10	1	2-1/2	VME-2516055	45.86
	1531950		P-V-10	1-3/4	3-1/2	VME-2516071	109.71
MODEL 125A, 125A-II, 125-111A							
BOOM	1503235	12AFC101-;12AFG101-	P-V-10	2-3/4	6	VME-2516065	153.23
	1503236		P-U-10	2-3/4	7	VME-2516148	185.09
BUCKET			P-U-10	2-3/4	7	VME-2516148	185.09
	1503234	404A101-404A299;403A101-403A299	P-V-10	2-3/4	6	VME-2516065	153.23
	1509846	12AFC101-;12AFG101-	P-V-10	2-1/4	4-1/2	VME-2516070	127.98
	1543216	404A300-;403A300-	P-V-10	2-3/4	6	VME-2516065	153.23
STEERING			P-V-10	1-3/4	3-1/2	VME-2516071	109.71
MODEL 125B							
BOOM			P-U-10	2-3/4	6	VME-2538182	148.72
			P-UB-10	2-3/4	6	VME-2542568	395.53
	1519174		P-V-10	2-3/4	6	VME-2518493	168.90
	1519175		P-V-10	2-3/4	6	VME-2518493	168.90
	2517389		P-V-10	2-3/4	6	VME-2518493	168.90
	2517390		P-V-10	2-3/4	6	VME-2518493	168.90
BUCKET			P-U-10	2-1/4	4-1/2	VME-2538179	96.40
			P-UB-10	2-1/4	4-1/2	VME-2542576	140.38
			P-U-10	2-3/4	5	VME-2538187	101.69
			P-UB-10	2-3/4	5	VME-2542569	151.49
	1519173		P-V-10	2-1/4	4-1/2	VME-2516152	107.41
	2517395		P-V-10	2-1/4	4-1/2	VME-2516152	107.41
STEERING			P-U-10	1-3/4	3-1/2	VME-2538177	108.93
			P-UB-10	1-3/4	3-1/2	VME-2542570	133.69
	2501171		I-U-10	1-3/4	3-1/2	VME-2516072	73.65
MODEL 175A							
STEERING	1503987		P-V-10	1-3/4	3-1/2	VME-2516071	109.71
MODEL 175A-II							
STEERING	1503987		P-V-10	1-3/4	3-1/2	VME-2516071	109.71
MODEL 175B							
BOOM			P-V-10	2-3/4	7	VME-2516155	266.05
	1518400		P-V-10	2-3/4	7	VME-2518494	251.26
	2518119		P-V-10	2-3/4	7	VME-2518494	251.26
	2528567		P-UB-10	2-3/4	7	VME-2551397	275.37
	964596		P-U-10	2-3/4	7	VME-2538183	156.76
BUCKET			P-V-10	2-3/4	6	VME-2516065	153.23
	1511622		P-V-10	2-3/4	6	VME-2518493	168.90
	1517851		P-V-10	2-3/4	6	VME-2518493	168.90
	2518125		P-V-10	2-3/4	6	VME-2518493	168.90
	2524276		P-U-10	2-3/4	6	VME-2538182	148.72
	964798		P-UB-10	2-3/4	6	VME-2542568	395.53
STEERING	1511641		P-V-10	2	4-1/2	VME-2516151	84.09
	2518117		P-V-10	2	4-1/2	VME-2516151	84.09
	2532353		P-U-10	2	4-1/2	VME-2538178	90.10

LR - Long Reach SLF - Super Long Front QF - Quick Fit FS - Front Shovel MH - Material Handle AS - Articulate Slope

VOLVO

Replacement Kits For

Loaders - Wheel							
APPLICATION	CYL #	SERIAL #	CODE	ROD	BORE	KIT #	List \$
MODEL 175B							
STEERING	964586		P-UB-10	2	4-1/2	VME-2551398	130.41
MODEL 175-III, 175-IIIA							
BOOM	1503236		P-U-10	2-3/4	7	VME-2516148	185.09
BUCKET	1503234		P-V-10	2-3/4	6	VME-2516065	153.23
	1543216		P-V-10	2-3/4	6	VME-2516065	153.23
MODEL 275B							
BOOM			P-UB-10	3-1/2	9	VME-2551396	452.02
			P-U-10	3-1/2	9	VME-2538180	308.99
	1511407		P-V-10	3-1/2	9	VME-2516242	270.11
	1511408		P-V-10	3-1/2	9	VME-2516242	270.11
	1518399		P-V-10	3-1/2	9	VME-2516242	270.11
	1537215		I-U-10	3-1/2	9	VME-2516228	236.51
	1537216		I-U-10	3-1/2	9	VME-2516228	236.51
BUCKET	2504218		P-V-10	3-1/2	9	VME-2516242	270.11
			P-U-10	2-3/4	7	VME-2538183	156.76
			P-UB-10	2-3/4	7	VME-2551397	275.37
	1511406		P-V-10	2-3/4	7	VME-2516155	266.05
	1513815		P-V-10	2-3/4	7	VME-2518494	251.26
STEERING	2516176		P-V-10	2-3/4	7	VME-2518494	251.26
	947456		P-V-10	2-3/4	7	VME-2516155	266.05
			P-U-10	2-1/4	5-1/4	VME-2538181	121.05
			P-UB-10	2-1/4	5-1/4	VME-2551399	188.96
	1511749		P-V-10	2-1/4	5-1/4	VME-2516274	99.94
		I-U-10	2-1/4	5-1/4	VME-2516156	99.46	
	2516160		P-V-10	2-1/4	5-1/4	VME-2516274	99.94
MODEL 275-III							
BUCKET	1503231		P-U-10	2-3/4	7	VME-2516148	185.09
	1543895		P-U-10	2-3/4	7	VME-2516148	185.09
MODEL 275-IIIA							
BUCKET	1503231		P-U-10	2-3/4	7	VME-2516148	185.09
	1543895		P-U-10	2-3/4	7	VME-2516148	185.09
STEERING	1503241		P-U-10	2-1/4	5-1/2	VME-2516094	121.14
	1515236		P-U-10	2-1/4	5-1/2	VME-2516094	121.14
MODEL 475B							
BUCKET	1513011		P-V-10	4-1/2	9	VME-2516230	299.24
	2514104		P-V-10	4-1/2	9	VME-2516230	299.24
STEERING			P-UB-10	2-3/4	7	VME-2551397	275.37
			P-U-10	2-3/4	7	VME-2526058	175.90
	1503659		P-U-10	2-3/4	7	VME-2516148	185.09
	2514101		P-V-10	2-3/4	7	VME-2518494	251.26
MODEL 475-IIIA							
BUCKET	1513011		P-V-10	4-1/2	9	VME-2516230	299.24
STEERING	1503659	3AYC101-	P-U-10	2-3/4	7	VME-2516148	185.09
	2514101		P-V-10	2-3/4	7	VME-2518494	251.26
MODEL 675B							
STEERING	1512049	436A	P-U-10	3-1/2	8	VME-2516187	206.24
MODEL L20B							
BUCKET			P-U-10	40 mm	70 mm	VME-11709913	190.67
LIFT	2812347	1700001-1700999	I-UB-10	50 mm	100 mm	VME-11370055	257.09
STEERING	2808059	1700001-1700999	P-U-10	32 mm	70 mm	VME-2906622	136.74
TILT	2812348	1700001-1700499	I-UB-10	50 mm	100 mm	VME-11370055	257.09
MODEL L20F							
LIFT CYLINDER	15231708	1706875-	I-UB-10	50 mm	100 mm	VME-11370055	257.09
	2812347	1705001-1706874	I-UB-10	50 mm	100 mm	VME-11370055	257.09
TILT CYLINDER	15207510	1705001-	I-UB-10	50 mm	100 mm	VME-11370055	257.09

LR - Long Reach SLF - Super Long Front QF - Quick Fit FS - Front Shovel MH - Material Handle AS - Articulate Slope

FORMERLY LISTED REPAIR PARTS ARE AVAILABLE ONLINE AT WWW.HERCULESUS.COM
OR BY CONTACTING YOUR REGIONAL HERCULES SALES TEAM.

VOLVO

Replacement Kits For

Loaders - Wheel							
APPLICATION	CYL #	SERIAL #	CODE	ROD	BORE	KIT #	List \$
MODEL L20H							
LIFT CYLINDER	15231708	1220011-	I-UB-10	50 mm	100 mm	VME-11370055	257.09
TILT CYLINDER	15207510	1220011-	I-UB-10	50 mm	100 mm	VME-11370055	257.09
MODEL L25B							
BUCKET			P-U-10	40 mm	70 mm	VME-11709913	190.67
LIFT	2812347	1750001-1759999	I-UB-10	50 mm	100 mm	VME-11370055	257.09
STEERING	2808059	1750001-1759999	P-U-10	32 mm	70 mm	VME-2906622	136.74
TILT	11308884	1752065-	I-UB-10	50 mm	100 mm	VME-11370055	257.09
	2812348	1750001-1752064	I-UB-10	50 mm	100 mm	VME-11370055	257.09
MODEL L30							
ATTACHMENT	11001980	70118-	P-U-1	20 mm		VME-11990060	88.49
	11005340	-70117	P-U-1	25 mm		VME-11990175	133.26
	4833424	-70117	P-U-1	20 mm		VME-11990060	88.49
LIFT	11001575	70118-	P-U-15	50 mm	100 mm	VME-6630564	149.95
	11005193	-70117	P-U-15	50 mm	100 mm	VME-6630513	127.03
STEERING	11001574	70118-	P-U-15	32 mm	63 mm	VME-6630661	161.76
	11005192	-70117	P-U-15	32 mm	63 mm	VME-6630661	161.76
TILT	11001576	70118-	P-U-15	40 mm	80 mm	VME-6630662	104.25
	11005194	-70117	P-U-15	40 mm	80 mm	VME-11990106	134.36
MODEL L30B							
BUCKET			P-U-10	40 mm	70 mm	VME-11709913	190.67
LIFT	2808056	1802201-1802999;1812201-1812999; 1822201-1822999;1823601-1823999	P-U-10	45 mm	80 mm	VME-2907081	177.70
	2808056	1832201-1832999;1833601-1833999; 1852201-1852999;1853601-1853999	P-U-10	45 mm	80 mm	VME-2907081	177.70
STEERING	2808059	1802201-1802999;1812201-1812999; 1822201-1822999;1823601-1823999	P-U-10	32 mm	70 mm	VME-2906622	136.74
	2808059	1832201-1832999;1833601-1833999; 1852201-1852999;1853601-1853999	P-U-10	32 mm	70 mm	VME-2906622	136.74
TILT	2808057	1802201-1802999;1812201-1812999; 1822201-1822999;1823601-1823999	P-U-10	50 mm	100 mm	VME-2907091	260.48
	2808057	1832201-1832999;1833601-1833999; 1852201-1852999;1853601-1853999	P-U-10	50 mm	100 mm	VME-2907091	260.48
MODEL L30G							
HOIST CYLINDER	2808057	3120001-3120926 //3220001 -3220345	P-U-10	50 mm	100 mm	VME-2907091	260.48
LIFT CYLINDER	15212492	3120921-3121080 // 3220339-3220460	I-UB-10	45 mm	80 mm	VME-17469493	163.43
	15234935	3121081- // 3220461-	I-UB-10	45 mm	80 mm	VME-17469493	163.43
	2808056	3120001-3120920	P-U-10	45 mm	80 mm	VME-2907081	177.70
TILT CYLINDER	15212494	3120927- // 3220346-	I-UB-10	50 mm	100 mm	VME-11370055	257.09
MODEL L35B							
BUCKET			P-U-10	40 mm	70 mm	VME-11709913	190.67
LIFT	2808049	1862201-1862999;1863601-1869999; 1872201-1872999;1873601-1879999	P-U-10	50 mm	85 mm	VME-2907070	211.69
	2808049	1882201-1882999;1883601-1889999; 1892201-1892999;1893601-1899999	P-U-10	50 mm	85 mm	VME-2907070	211.69
STEERING	2808059	1862201-1862999;1863601-1869999; 1872201-1872999;1873601-1879999	P-U-10	32 mm	70 mm	VME-2906622	136.74
	2808059	1882201-1882999;1883601-1889999; 1892201-1892999;1893601-1899999	P-U-10	32 mm	70 mm	VME-2906622	136.74
TILT	2808057	1862201-1862999;1863601-1869999; 1872201-1872999;1873601-1879999	P-U-10	50 mm	100 mm	VME-2907091	260.48
	2808057	1882201-1882999;1883601-1889999; 1892201-1892999;1893601-1899999	P-U-10	50 mm	100 mm	VME-2907091	260.48
MODEL L35G							
HOIST CYLINDER	2808057	-3320265 / -3420213	P-U-10	50 mm	100 mm	VME-2907091	260.48
LIFT CYLINDER	11306616	3620186-	I-UB-10	50 mm	90 mm	VME-17517240	118.43
	15234936	3320263- / 3420209-	I-UB-10	50 mm	85 mm	VME-17474894	205.87
	2808061	-3620185	I-U-10	50 mm	90 mm	VME-2908477	114.30
TILT CYLINDER	11306617	3620186-	I-UB-10	50 mm	115 mm	VME-17506987	155.79

LR - Long Reach SLF - Super Long Front QF - Quick Fit FS - Front Shovel MH - Material Handle AS - Articulate Slope

VOLVO

Replacement Kits For

Loaders - Wheel							
APPLICATION	CYL #	SERIAL #	CODE	ROD	BORE	KIT #	List \$
MODEL L35G							
TILT CYLINDER	15212494	3320266- / 3420214-	I-UB-10	50 mm	100 mm	VME-11370055	257.09
	2808062	-3620185	I-U-10	50 mm	115 mm	VME-17520935	112.47
MODEL L40B							
LIFT	11306083	1911001-1911499;1921001-1921499	P-U-10	50 mm	110 mm	VME-2907415	236.64
	11306297	1911001-1911499;1921001-1921499	P-U-10	50 mm	110 mm	VME-11370826	255.21
	11306961	1921500-1929999	P-U-10	50 mm	110 mm	VME-11370773	205.41
STEERING	2808059	1911001-1911499;1921001-1929999	P-U-10	32 mm	70 mm	VME-2906622	136.74
TILT	11306298	-1911117;-1921325	P-U-10	63 mm	125 mm	VME-2907389	281.31
	11306298	1911118;-1921326-	P-U-10	63 mm	125 mm	VME-2907389	281.31
	11306298	1921001-1921499;1911001-1911499	P-U-10	65 mm	125 mm	VME-11370750	217.99
	11306298	1921500-1929999	P-U-10	65 mm	125 mm	VME-11370750	217.99
MODEL L45B							
BUCKET			P-U-10	40 mm	70 mm	VME-11709913	190.67
LIFT	11306083	1951001-1951499;1941001-1941499	P-U-10	50 mm	110 mm	VME-2907415	236.64
	11306961	1951500-1959999;1941500-1949999	P-U-10	50 mm	110 mm	VME-11370773	205.41
STEERING	2808059	1951001-1959999;1941001-1949999	P-U-10	32 mm	70 mm	VME-2906622	136.74
TILT	11306298	-1941180;-1951383	P-U-10	63 mm	125 mm	VME-2907389	281.31
	11306298	1941181;-1951384-	P-U-10	63 mm	125 mm	VME-2907389	281.31
	11306298	1951001-1951499;1941001-1941499	P-U-10	65 mm	125 mm	VME-11370750	217.99
	11306298	1951500-1959999;1941500-1949999	P-U-10	65 mm	125 mm	VME-11370750	217.99
MODEL L50B							
LIFT	11088016	ALL	P-U-15	60 mm	90 mm	VME-11990438	173.98
	11088016	ALL	P-U-15	60 mm	90 mm	VME-11990438-EX	179.11
	11088016	ALL	Bushing	60 mm		VME-11088053	3.80
STEERING	11005137	ALL	P-U-15	40 mm	63 mm	VME-11990439	127.84
	11005137	ALL	P-U-15	40 mm	63 mm	VME-11990439-EX	130.41
	11005137	ALL	Bushing	40 mm		VME-11088081	2.54
	11088072	ALL	P-U-15	40 mm	63 mm	VME-11990439	127.84
	11088072	ALL	P-U-15	40 mm	63 mm	VME-11990439-EX	130.41
	11088072	ALL	Bushing	40 mm		VME-11088081	2.54
TILT	11088017	ALL	P-U-15	70 mm	125 mm	VME-11990437	265.38
	11088017	ALL	P-U-15	70 mm	125 mm	VME-11990437-EX	275.32
	11088017	ALL	Bushing	70 mm		VME-11088054	4.46
MODEL L50C							
LIFT	11088016	9001-10005	P-U-15	60 mm	90 mm	VME-11990438	173.98
	11088016	9001-10005	P-U-15	60 mm	90 mm	VME-11990438-EX	179.11
	11088016	9001-10005	Bushing	60 mm		VME-11088053	3.80
	11088559	10006-11954	P-UB-13	70 mm	100 mm	VME-11998810	383.07
	11088559	10006-11954	P-UB-13	70 mm	100 mm	VME-11998810-EX	392.92
	11088559	10006-11954	Bushing	70 mm		VME-11088054	4.46
	11088559	10006-11954	Wear Ring		100 mm	VME-11088148	6.56
	11088855	11955-13000	P-UB-13	70 mm	100 mm	VME-11998810	383.07
	11088855	11955-13000	P-UB-13	70 mm	100 mm	VME-11998810-EX	392.92
	11088855	11955-13000	Bushing	70 mm		VME-11088054	4.46
	11088855	11955-13000	Wear Ring		100 mm	VME-11088148	6.56
STEERING	11005137	10006-13000	P-U-15	40 mm	63 mm	VME-11990439	127.84
	11005137	10006-13000	P-U-15	40 mm	63 mm	VME-11990439-EX	130.41
	11005137	10006-13000	Bushing	40 mm		VME-11088081	2.54
	11088072	10006-13000	P-U-15	40 mm	63 mm	VME-11990439	127.84
	11088072	10006-13000	P-U-15	40 mm	63 mm	VME-11990439-EX	130.41
TILT	11088072	10006-13000	Bushing	40 mm		VME-11088081	2.54
	11088017	-9441	P-U-15	70 mm	125 mm	VME-11990437	265.38
	11088017	-9441	P-U-15	70 mm	125 mm	VME-11990437-EX	275.32
	11088017	-9441	Bushing	70 mm		VME-11088054	4.46
	11088445	9442-11954	P-U-15	70 mm	125 mm	VME-11990437	265.38

LR - Long Reach SLF - Super Long Front QF - Quick Fit FS - Front Shovel MH - Material Handle AS - Articulate Slope

FORMERLY LISTED REPAIR PARTS ARE AVAILABLE ONLINE AT WWW.HERCULESUS.COM
OR BY CONTACTING YOUR REGIONAL HERCULES SALES TEAM.

Replacement Kits For

VOLVO

Loaders - Wheel								
APPLICATION	CYL #	SERIAL #	CODE	ROD	BORE	KIT #	List \$	
MODEL L50C								
TILT	11088445	9442-11954	P-U-15	70 mm	125 mm	VME-11990437-EX	275.32	
	11088445	9442-11954	Bushing	70 mm		VME-11088054	4.46	
	11088854	11955-	P-U-15	70 mm	125 mm	VME-11990437	265.38	
	11088854	11955-	P-U-15	70 mm	125 mm	VME-11990437-EX	275.32	
	11088854	11955-	Bushing	70 mm		VME-11088054	4.46	
MODEL L50C OR								
LIFT	11088016	9001-10005	P-U-15	60 mm	90 mm	VME-11990438	173.98	
	11088016	9001-10005	P-U-15	60 mm	90 mm	VME-11990438-EX	179.11	
	11088016	9001-10005	Bushing	60 mm		VME-11088053	3.80	
	11088559	10006-11954	P-UB-13	70 mm	100 mm	VME-11998810	383.07	
	11088559	10006-11954	P-UB-13	70 mm	100 mm	VME-11998810-EX	392.92	
	11088559	10006-11954	Bushing	70 mm		VME-11088054	4.46	
	11088559	10006-11954	Wear Ring		100 mm	VME-11088148	6.56	
	11088855	11955-13000	P-UB-13	70 mm	100 mm	VME-11998810	383.07	
	11088855	11955-13000	P-UB-13	70 mm	100 mm	VME-11998810-EX	392.92	
	11088855	11955-13000	Bushing	70 mm		VME-11088054	4.46	
STEERING	11005137	10006-10966;35001-40000	P-U-15	40 mm	63 mm	VME-11990439	127.84	
	11005137	10006-10966;35001-40000	P-U-15	40 mm	63 mm	VME-11990439-EX	130.41	
	11005137	10006-10966;35001-40000	Bushing	40 mm		VME-11088081	2.54	
	11088072	10006-10966;35001-40000	P-U-15	40 mm	63 mm	VME-11990439	127.84	
	11088072	10006-10966;35001-40000	P-U-15	40 mm	63 mm	VME-11990439-EX	130.41	
	11088072	10006-10966;35001-40000	Bushing	40 mm		VME-11088081	2.54	
TILT	11088017	-9441	P-U-15	70 mm	125 mm	VME-11990437	265.38	
	11088017	-9441	P-U-15	70 mm	125 mm	VME-11990437-EX	275.32	
	11088017	-9441	Bushing	70 mm		VME-11088054	4.46	
	11088445	9442-11954	P-U-15	70 mm	125 mm	VME-11990437	265.38	
	11088445	9442-11954	P-U-15	70 mm	125 mm	VME-11990437-EX	275.32	
	11088445	9442-11954	Bushing	70 mm		VME-11088054	4.46	
	11088854	11955-	P-U-15	70 mm	125 mm	VME-11990437	265.38	
	11088854	11955-	P-U-15	70 mm	125 mm	VME-11990437-EX	275.32	
	11088854	11955-	Bushing	70 mm		VME-11088054	4.46	
MODEL L50D								
LIFT	11088855	70101-80000;13002-14100	P-UB-13	70 mm	100 mm	VME-11998810	383.07	
	11088855	70101-80000;13002-14100	P-UB-13	70 mm	100 mm	VME-11998810-EX	392.92	
	11088855	70101-80000;13002-14100	Bushing	70 mm		VME-11088054	4.46	
	11088855	70101-80000;13002-14100	Wear Ring		100 mm	VME-11088148	6.56	
STEERING	11005137	70101-80000;13002-14100	P-U-15	40 mm	63 mm	VME-11990439	127.84	
	11005137	70101-80000;13002-14100	P-U-15	40 mm	63 mm	VME-11990439-EX	130.41	
	11005137	70101-80000;13002-14100	Bushing	40 mm		VME-11088081	2.54	
	11088072	70101-80000;13002-14100	P-U-15	40 mm	63 mm	VME-11990439	127.84	
	11088072	70101-80000;13002-14100	P-U-15	40 mm	63 mm	VME-11990439-EX	130.41	
	11088072	70101-80000;13002-14100	Bushing	40 mm		VME-11088081	2.54	
TILT	11088854	70101-80000;13002-14100	P-U-15	70 mm	125 mm	VME-11990437	265.38	
	11088854	70101-80000;13002-14100	P-U-15	70 mm	125 mm	VME-11990437-EX	275.32	
	11088854	70101-80000;13002-14100	Bushing	70 mm		VME-11088054	4.46	
MODEL L60E								
HYDRAULIC	11005402	1004-99999	P-U-15	60 mm	125 mm	VME-11000107	256.09	
	11010770	1004-99999	P-U-1	25 mm		VME-11990175	133.26	
	11045350	1004-99999	P-U-15	60 mm	125 mm	VME-11704247	207.88	
	11045351	1004-99999	P-U-15	50 mm	100 mm	VME-11704251	90.61	
	11045352	1004-99999	P-U-15	70 mm	140 mm	VME-11704250	238.69	
	11045353	1004-99999	P-U-15	60 mm	110 mm	VME-11704249	193.99	
	11045354	1004-99999	P-U-15	40 mm	80 mm	VME-11704253	100.50	
	11045355	1004-99999	P-U-15	40 mm	80 mm	VME-11704253	100.50	

LR - Long Reach SLF - Super Long Front QF - Quick Fit FS - Front Shovel MH - Material Handle AS - Articulate Slope

VOLVO

Replacement Kits For

Loaders - Wheel							
APPLICATION	CYL #	SERIAL #	CODE	ROD	BORE	KIT #	List \$
MODEL L60E							
HYDRAULIC	11045356	1004-99999	P-U-15	60 mm	125 mm	VME-11704247	207.88
	11045357	1004-99999	P-U-15	60 mm	110 mm	VME-11704249	193.99
	11045358	1004-99999	P-U-15	80 mm	150 mm	VME-11704689	278.08
	11045360	1004-99999	P-U-15	50 mm	110 mm	VME-11704252	136.34
	11045361	1004-99999	P-U-15	50 mm	110 mm	VME-11704252	136.34
	11045363	1004-99999	P-U-15	60 mm	110 mm	VME-11704249	193.99
	11045366	1004-99999	P-U-15	60 mm	125 mm	VME-11704248	178.33
	11082749	1004-99999	P-U-15	60 mm	125 mm	VME-11704247	207.88
	11088569	1004-99999	P-U-15	80 mm	150 mm	VME-11700187	178.12
	11107530	1004-99999	P-UB-15	45 mm	70 mm	VME-11709872	135.71
	11107764	1004-99999	P-UB-15	45 mm	70 mm	VME-11709872	135.71
	11107837	1004-99999	P-UB-15	45 mm	70 mm	VME-11709872	135.71
	11142677	1004-99999	P-U-15	40 mm	80 mm	VME-11704253	100.50
	11156699	1004-99999	I-UB-10	32 mm	50 mm	VME-11709821	138.35
	11156701	1004-99999	I-UB-10	32 mm	50 mm	VME-11709821	138.35
	11157999	1004-99999	P-U-15	40 mm	80 mm	VME-11704253	100.50
	11417176	1004-99999	P-U-15	60 mm	125 mm	VME-11704247	207.88
	4784150	1004-99999	P-U-15	40 mm	80 mm	VME-6630662	104.25
	4881335	1004-99999	P-U-15	25 mm	40 mm	VME-6630886	34.40
	4881336	1004-99999	P-U-15	25 mm	40 mm	VME-6630886	34.40
LIFT	11107849	1004-99999	P-UB-10	70 mm	110 mm	VME-11709998	265.70
TILT	11107474	1004-99999	P-UB-10	80 mm	150 mm	VME-11709868	353.65
	11107845	1004-99999	P-UB-10	80 mm	150 mm	VME-11709868	353.65
	11107850	1004-99999	P-UB-10	80 mm	150 mm	VME-11709868	353.65
MODEL L60F							
HYDRAULIC	11107837	4004-, 70601-, 61401-	P-UB-15	45 mm	70 mm	VME-11709872	135.71
LIFT	11107849	4004-, 70601-, 61401-	P-UB-10	70 mm	110 mm	VME-11709998	265.70
TILT	11107845	4004-, 70601-, 61401-	P-UB-10	80 mm	150 mm	VME-11709868	353.65
	11107850	4004-, 70601-, 61401-	P-UB-10	80 mm	150 mm	VME-11709868	353.65
MODEL L60G							
HYDRAULIC	11045357		P-U-15	60 mm	110 mm	VME-11704249	193.99
	11045360		P-U-15	50 mm	110 mm	VME-11704252	136.34
	11045361		P-U-15	50 mm	110 mm	VME-11704252	136.34
	11045363		P-U-15	60 mm	110 mm	VME-11704249	193.99
LIFT	17225205	1009-, 611001-	P-UB-10	70 mm	110 mm	VME-15162235	238.92
	17225205	1009-, 611001-	Bushing	70 mm		VME-11088054	4.46
	17225205	1009-, 611001-	Wear Ring		110 mm	VME-11107528	6.29
STEERING	11107837	1009-, 611001-	P-UB-15	45 mm	70 mm	VME-11709872	135.71
	11107837	1009-, 611001-	Bushing	45 mm		VME-11107549	4.37
TILT	17225208	1009-, 611001-	P-UB-10	80 mm	150 mm	VME-11709868	353.65
	17225208	1009-, 611001-	Bushing	80 mm		VME-11088150	5.00
	17225208	1009-, 611001-	Wear Ring		150 mm	VME-11107289	50.95
	17225209	1009-, 611001-	P-UB-10	80 mm	150 mm	VME-11709868	353.65
	17225209	1009-, 611001-	Bushing	80 mm		VME-11088150	5.00
17225209	1009-, 611001-	Wear Ring		150 mm	VME-11107289	50.95	
MODEL L60H							
HYDRAULIC	11045357		P-U-15	60 mm	110 mm	VME-11704249	193.99
	11045360		P-U-15	50 mm	110 mm	VME-11704252	136.34
	11045361		P-U-15	50 mm	110 mm	VME-11704252	136.34
	11045363		P-U-15	60 mm	110 mm	VME-11704249	193.99
LIFT	17225205	11005-, 621002-	P-UB-10	70 mm	110 mm	VME-15162235	238.92
	17225205	11005-, 621002-	Bushing	70 mm		VME-11088054	4.46
	17225205	11005-, 621002-	Wear Ring		110 mm	VME-11107528	6.29
STEERING	17225200	11005-, 621002-	P-UB-15	45 mm	70 mm	VME-11709872	135.71
	17225200	11005-, 621002-	Bushing	45 mm		VME-11107549	4.37

LR - Long Reach SLF - Super Long Front QF - Quick Fit FS - Front Shovel MH - Material Handle AS - Articulate Slope

FORMERLY LISTED REPAIR PARTS ARE AVAILABLE ONLINE AT WWW.HERCULESUS.COM
OR BY CONTACTING YOUR REGIONAL HERCULES SALES TEAM.

VOLVO

Replacement Kits For

Loaders - Wheel								
APPLICATION	CYL #	SERIAL #	CODE	ROD	BORE	KIT #	List \$	
MODEL L60H								
TILT	17225208	11005-, 621002-	P-UB-10	80 mm	150 mm	VME-17409412	128.85	
	17225208	11005-, 621002-	Bushing	80 mm		VME-11088150	5.00	
	17225208	11005-, 621002-	Wear Ring		150 mm	VME-11107289	50.95	
	17225209	11005-, 621002-	P-UB-10	80 mm	150 mm	VME-17409412	128.85	
	17225209	11005-, 621002-	Bushing	80 mm		VME-11088150	5.00	
	17225209	11005-, 621002-	Wear Ring		150 mm	VME-11107289	50.95	
MODEL L70B								
LIFT	11088340	ALL	P-UB-13	70 mm	100 mm	VME-11998810	383.07	
	11088340	ALL	P-UB-13	70 mm	100 mm	VME-11998810-EX	392.92	
	11088340	ALL	Bushing	70 mm		VME-11088054	4.46	
	11088340	ALL	Wear Ring		100 mm	VME-11088148	6.56	
STEERING	11088289	ALL	P-U-15	40 mm	63 mm	VME-11990439	127.84	
	11088289	ALL	P-U-15	40 mm	63 mm	VME-11990439-EX	130.41	
	11088289	ALL	Bushing	40 mm		VME-11088081	2.54	
TILT	11088333	ALL	P-UB-14	80 mm	150 mm	VME-11998809	507.12	
	11088333	ALL	P-UB-14	80 mm	150 mm	VME-11998809-EX	495.65	
	11088333	ALL	Bushing	80 mm		VME-11088150	5.00	
	11088333	ALL	Wear Ring		150 mm	VME-11088149	21.25	
MODEL L70C								
LIFT	11088340	-15067	P-UB-13	70 mm	100 mm	VME-11998810	383.07	
	11088340	-15067	P-UB-13	70 mm	100 mm	VME-11998810-EX	392.92	
	11088340	-15067	Bushing	70 mm		VME-11088054	4.46	
	11088340	-15067	Wear Ring		100 mm	VME-11088148	6.56	
	11088857	15068-	P-UB-13	70 mm	100 mm	VME-11998810	383.07	
	11088857	15068-	P-UB-13	70 mm	100 mm	VME-11998810-EX	392.92	
	11088857	15068-	Bushing	70 mm		VME-11088054	4.46	
	11088857	15068-	Wear Ring		100 mm	VME-11088148	6.56	
QUICK-FIT	11082447	70007-70300;13116-16500	P-U-15	25 mm	45 mm	VME-11999362	120.66	
	11142695	70007-70300;13116-16500	P-U-10	16 mm	32 mm	VME-11705087	202.36	
	11142695	70007-70300;13116-16500	P-U-10	16 mm	32 mm	VME-11705087-EX	206.71	
	11142695	70007-70300;13116-16500	Bushing	16 mm		VME-11708994	12.78	
	11157123	70007-70300;13116-16500	P-U-10	16 mm	32 mm	VME-11709111	103.85	
STEERING	11088289	70007-70300;13116-16500	P-U-15	40 mm	63 mm	VME-11990439	127.84	
	11088289	70007-70300;13116-16500	P-U-15	40 mm	63 mm	VME-11990439-EX	130.41	
	11088289	70007-70300;13116-16500	Bushing	40 mm		VME-11088081	2.54	
TILT	11088500	-15067	P-UB-14	80 mm	150 mm	VME-11998809	507.12	
	11088500	-15067	P-UB-14	80 mm	150 mm	VME-11998809-EX	495.65	
	11088500	-15067	Bushing	80 mm		VME-11088150	5.00	
	11088500	-15067	Wear Ring		150 mm	VME-11088149	21.25	
	11088856	15068-	P-UB-14	80 mm	150 mm	VME-11998809	507.12	
	11088856	15068-	P-UB-14	80 mm	150 mm	VME-11998809-EX	495.65	
	11088856	15068-	Bushing	80 mm		VME-11088150	5.00	
	11088856	15068-	Wear Ring		150 mm	VME-11088149	21.25	
	MODEL L70C BM							
	LIFT	11088340	11246-13115	P-UB-13	70 mm	100 mm	VME-11998810	383.07
11088340		11246-13115	P-UB-13	70 mm	100 mm	VME-11998810-EX	392.92	
11088340		11246-13115	Bushing	70 mm		VME-11088054	4.46	
11088340		11246-13115	Wear Ring		100 mm	VME-11088148	6.56	
QUICK-FIT	11082447	11246-13115	P-U-15	25 mm	45 mm	VME-11999362	120.66	
STEERING	11088289	11246-13115	P-U-15	40 mm	63 mm	VME-11990439	127.84	
	11088289	11246-13115	P-U-15	40 mm	63 mm	VME-11990439-EX	130.41	
	11088289	11246-13115	Bushing	40 mm		VME-11088081	2.54	
TILT	11088333	-10161	P-UB-14	80 mm	150 mm	VME-11998809	507.12	
	11088333	-10161	P-UB-14	80 mm	150 mm	VME-11998809-EX	495.65	
	11088333	-10161	Bushing	80 mm		VME-11088150	5.00	

LR - Long Reach SLF - Super Long Front QF - Quick Fit FS - Front Shovel MH - Material Handle AS - Articulate Slope

VOLVO

Replacement Kits For

Loaders - Wheel							
APPLICATION	CYL #	SERIAL #	CODE	ROD	BORE	KIT #	List \$
MODEL L70C BM							
TILT	11088333	-10161	Wear Ring		150 mm	VME-11088149	21.25
	11088460	10162-10790	P-UB-14	80 mm	150 mm	VME-11998809	507.12
	11088460	10162-10790	P-UB-14	80 mm	150 mm	VME-11998809-EX	495.65
	11088460	10162-10790	Bushing	80 mm		VME-11088150	5.00
	11088460	10162-10790	Wear Ring		150 mm	VME-11088149	21.25
	11088500	10791-	P-UB-14	80 mm	150 mm	VME-11998809	507.12
	11088500	10791-	P-UB-14	80 mm	150 mm	VME-11998809-EX	495.65
	11088500	10791-	Bushing	80 mm		VME-11088150	5.00
	11088500	10791-	Wear Ring		150 mm	VME-11088149	21.25
MODEL L70D							
LIFT	11088857	17002-60000	P-UB-13	70 mm	100 mm	VME-11998810	383.07
	11088857	17002-60000	P-UB-13	70 mm	100 mm	VME-11998810-EX	392.92
	11088857	17002-60000	Bushing	70 mm		VME-11088054	4.46
	11088857	17002-60000	Wear Ring		100 mm	VME-11088148	6.56
QUICK-FIT	11142695	17002-60000	P-U-10	16 mm	32 mm	VME-11705087	202.36
	11142695	17002-60000	P-U-10	16 mm	32 mm	VME-11705087-EX	206.71
	11142695	17002-60000	Bushing	16 mm		VME-11708994	12.78
	11157123	17002-60000	P-U-10	16 mm	32 mm	VME-11709111	103.85
STEERING	11088289	17002-60000	P-U-15	40 mm	63 mm	VME-11990439	127.84
	11088289	17002-60000	P-U-15	40 mm	63 mm	VME-11990439-EX	130.41
	11088289	17002-60000	Bushing	40 mm		VME-11088081	2.54
TILT	11088856	17002-60000	P-UB-14	80 mm	150 mm	VME-11998809	507.12
	11088856	17002-60000	P-UB-14	80 mm	150 mm	VME-11998809-EX	495.65
	11088856	17002-60000	Bushing	80 mm		VME-11088150	5.00
	11088856	17002-60000	Wear Ring		150 mm	VME-11088149	21.25
MODEL L70E							
LIFT	11107644	-21028	P-UB-10	70 mm	110 mm	VME-11709998	265.70
	11107644	-21028	P-UB-10	70 mm	110 mm	VME-11709998-EX	285.16
	11107644	-21028	Bushing	70 mm		VME-11088054	4.46
	11107644	-21028	Wear Ring		110 mm	VME-11107528	6.29
	11107824	21001-22957;60001-;71001-	P-UB-10	70 mm	120 mm	VME-11715864	227.69
	11107824	21001-22957;60001-;71001-	P-UB-10	70 mm	120 mm	VME-11715864-EX	253.01
	11107824	21001-22957;60001-;71001-	Bushing	70 mm		VME-11088054	4.46
	11107824	21001-22957;60001-;71001-	Wear Ring		120 mm	VME-11107298	6.97
	11107851	21029-	P-UB-10	70 mm	110 mm	VME-11709998	265.70
	11107851	21029-	P-UB-10	70 mm	110 mm	VME-11709998-EX	285.16
	11107851	21029-	Bushing	70 mm		VME-11088054	4.46
	11107851	21029-	Wear Ring		110 mm	VME-11107528	6.29
	QUICK-FIT	11157123	21001-22957;60001-;71001-	P-U-10	16 mm	32 mm	VME-11709111
STEERING	11107530	21001-22957;60001-;71001-	P-UB-15	45 mm	70 mm	VME-11709872	135.71
	11107530	21001-22957;60001-;71001-	P-UB-15	45 mm	70 mm	VME-11709872-EX	137.88
	11107530	21001-22957;60001-;71001-	Bushing	45 mm		VME-11107549	4.37
	11107764	21001-22957;60001-;71001-	P-UB-15	45 mm	70 mm	VME-11709872	135.71
	11107764	21001-22957;60001-;71001-	P-UB-15	45 mm	70 mm	VME-11709872-EX	137.88
	11107764	21001-22957;60001-;71001-	Bushing	45 mm		VME-11107549	4.37
	11107837	21001-22957;60001-;71001-	P-UB-15	45 mm	70 mm	VME-11709872	135.71
	11107837	21001-22957;60001-;71001-	P-UB-15	45 mm	70 mm	VME-11709872-EX	137.88
	11107837	21001-22957;60001-;71001-	Bushing	45 mm		VME-11107549	4.37
TILT	11107846	21001-22957;60001-;71001-	P-UB-10	90 mm	160 mm	VME-11709965	615.16
	11107846	21001-22957;60001-;71001-	P-UB-10	90 mm	160 mm	VME-11709965-EX	660.44
	11107846	21001-22957;60001-;71001-	Bushing	90 mm		VME-11005427	9.47
	11107846	21001-22957;60001-;71001-	Wear Ring		160 mm	VME-11107223	15.54
	11107852	21001-22957;60001-;71001-	P-UB-10	90 mm	160 mm	VME-11709965	615.16
	11107852	21001-22957;60001-;71001-	P-UB-10	90 mm	160 mm	VME-11709965-EX	660.44
	11107852	21001-22957;60001-;71001-	Bushing	90 mm		VME-11005427	9.47

LR - Long Reach SLF - Super Long Front QF - Quick Fit FS - Front Shovel MH - Material Handle AS - Articulate Slope

FORMERLY LISTED REPAIR PARTS ARE AVAILABLE ONLINE AT WWW.HERCULESUS.COM
OR BY CONTACTING YOUR REGIONAL HERCULES SALES TEAM.

VOLVO

Replacement Kits For

Loaders - Wheel							
APPLICATION	CYL #	SERIAL #	CODE	ROD	BORE	KIT #	List \$
MODEL L70E							
TILT	11107852	21001-22957;60001-;71001-	Wear Ring		160 mm	VME-11107223	15.54
MODEL L70F							
HYDRAULIC	11107837	24004-, 71401-, 61801-	P-UB-15	45 mm	70 mm	VME-11709872	135.71
LIFT	11107824	24004-, 71401-, 61801-	P-UB-10	70 mm	120 mm	VME-11715864	227.69
	11107851	24004-, 71401-, 61801-	P-UB-10	70 mm	110 mm	VME-11709998	265.70
TILT	11107846	24004-, 71401-, 61801-	P-UB-10	90 mm	160 mm	VME-11709965	615.16
	11107852	24004-, 71401-, 61801-	P-UB-10	90 mm	160 mm	VME-11709965	615.16
MODEL L70G							
HYDRAULIC	11045357		P-U-15	60 mm	110 mm	VME-11704249	193.99
	11045360		P-U-15	50 mm	110 mm	VME-11704252	136.34
	11045361		P-U-15	50 mm	110 mm	VME-11704252	136.34
	11045363		P-U-15	60 mm	110 mm	VME-11704249	193.99
LIFT	17225206	2008-, 614001-	P-UB-10	70 mm	110 mm	VME-15162235	238.92
	17225206	2008-, 614001-	Bushing	70 mm		VME-11088054	4.46
	17225206	2008-, 614001-	Wear Ring		110 mm	VME-11107528	6.29
	17225207	2008-, 614001-	P-UB-10	70 mm	120 mm	VME-11715864	227.69
	17225207	2008-, 614001-	Bushing	70 mm		VME-11088054	4.46
	17225207	2008-, 614001-	Wear Ring		120 mm	VME-11107298	6.97
STEERING	11107837	2008-, 614001-	P-UB-15	45 mm	70 mm	VME-11709872	135.71
	11107837	2008-, 614001-	Bushing	45 mm		VME-11107549	4.37
TILT	17225210	2008-, 614001-	P-UB-10	90 mm	160 mm	VME-15162237	399.55
	17225210	2008-, 614001-	Bushing	90 mm		VME-11005427	9.47
	17225210	2008-, 614001-	Wear Ring		160 mm	VME-11107223	15.54
	17225211	2008-, 614001-	P-UB-10	90 mm	160 mm	VME-15162237	399.55
	17225211	2008-, 614001-	Bushing	90 mm		VME-11005427	9.47
	17225211	2008-, 614001-	Wear Ring		160 mm	VME-11107223	15.54
MODEL L70H							
HYDRAULIC	11045357		P-U-15	60 mm	110 mm	VME-11704249	193.99
	11045360		P-U-15	50 mm	110 mm	VME-11704252	136.34
	11045361		P-U-15	50 mm	110 mm	VME-11704252	136.34
	11045363		P-U-15	60 mm	110 mm	VME-11704249	193.99
LIFT	17225206	12006-, 622002-	P-UB-10	70 mm	110 mm	VME-15162235	238.92
	17225206	12006-, 622002-	Bushing	70 mm		VME-11088054	4.46
	17225206	12006-, 622002-	Wear Ring		110 mm	VME-11107528	6.29
	17225207	12006-, 622002-	P-UB-10	70 mm	120 mm	VME-11715864	227.69
	17225207	12006-, 622002-	Bushing	70 mm		VME-11088054	4.46
	17225207	12006-, 622002-	Wear Ring		120 mm	VME-11107298	6.97
STEERING	11107837	12006-, 622002-	Bushing	45 mm		VME-11107549	4.37
	17225200	12006-, 622002-	P-UB-15	45 mm	70 mm	VME-11709872	135.71
TILT	17225210	12006-, 622002-	P-UB-10	90 mm	160 mm	VME-15162237	399.55
	17225210	12006-, 622002-	Bushing	90 mm		VME-11005427	9.47
	17225210	12006-, 622002-	Wear Ring		160 mm	VME-11107223	15.54
	17225211	12006-, 622002-	P-UB-10	90 mm	160 mm	VME-15162237	399.55
	17225211	12006-, 622002-	Bushing	90 mm		VME-11005427	9.47
	17225211	12006-, 622002-	Wear Ring		160 mm	VME-11107223	15.54
MODEL L90B							
ATTACHMENT	11005340	ALL	P-U-1	25 mm		VME-11990175	133.26
LIFT	11088062	ALL	P-U-15	60 mm	120 mm	VME-11990026	213.07
STEERING	11088065	ALL	P-U-15	50 mm	80 mm	VME-11990050	107.00
TILT	11088064	ALL	P-UB-15	60 mm	110 mm	VME-11990028	132.40
MODEL L90C							
LIFT	11088764	14305-17000;62463-65000;70060-80000	P-UB-14	70 mm	130 mm	VME-11999895	357.83
	11088764	14305-17000;62463-65000;70060-80000	P-UB-14	70 mm	130 mm	VME-11999895-EX	387.69
	11088764	14305-17000;62463-65000;70060-80000	Bushing	70 mm		VME-11088054	4.46
	11088764	14305-17000;62463-65000;70060-80000	Wear Ring		130 mm	VME-11088609	11.89

LR - Long Reach SLF - Super Long Front QF - Quick Fit FS - Front Shovel MH - Material Handle AS - Articulate Slope

Replacement Kits For

VOLVO

Loaders - Wheel							
APPLICATION	CYL #	SERIAL #	CODE	ROD	BORE	KIT #	List \$
MODEL L90C							
LIFT	11107308	14305-17000;62463-65000;70060-80000	P-UB-10	70 mm	130 mm	VME-11707023	299.15
	11107308	14305-17000;62463-65000;70060-80000	P-UB-10	70 mm	130 mm	VME-11707023-EX	322.84
	11107308	14305-17000;62463-65000;70060-80000	Bushing	70 mm		VME-11088054	4.46
	11107308	14305-17000;62463-65000;70060-80000	Wear Ring		130 mm	VME-11088609	11.89
QUICK-FIT	11082447	14305-17000;62463-65000;70060-80000	P-U-15	25 mm	45 mm	VME-11999362	120.66
	11142695	14305-17000;62463-65000;70060-80000	P-U-10	16 mm	32 mm	VME-11705087	202.36
	11142695	14305-17000;62463-65000;70060-80000	P-U-10	16 mm	32 mm	VME-11705087-EX	206.71
	11142695	14305-17000;62463-65000;70060-80000	Bushing	16 mm		VME-11708994	12.78
	11157123	14305-17000;62463-65000;70060-80000	P-U-10	16 mm	32 mm	VME-11709111	103.85
STEERING	11088546	14305-17000;62463-65000;70060-80000	P-U-15	40 mm	70 mm	VME-11999907	88.34
	11088546	14305-17000;62463-65000;70060-80000	P-U-15	40 mm	70 mm	VME-11999907-EX	91.74
	11088546	14305-17000;62463-65000;70060-80000	Bushing	40 mm		VME-11088081	2.54
TILT	11088769	14305-17000;62463-65000;70060-80000	P-UB-14	90 mm	190 mm	VME-11999893	834.05
	11088769	14305-17000;62463-65000;70060-80000	P-UB-14	90 mm	190 mm	VME-11999893-EX	909.22
	11088769	14305-17000;62463-65000;70060-80000	Bushing	90 mm		VME-11088249	28.71
	11088769	14305-17000;62463-65000;70060-80000	Wear Ring		190 mm	VME-11088014	22.16
	11107306	14305-17000;62463-65000;70060-80000	P-UB-10	90 mm	190 mm	VME-11707028	658.83
	11107306	14305-17000;62463-65000;70060-80000	P-UB-10	90 mm	190 mm	VME-11707028-EX	751.96
	11107306	14305-17000;62463-65000;70060-80000	Bushing	90 mm		VME-11088249	28.71
	11107306	14305-17000;62463-65000;70060-80000	Wear Ring		190 mm	VME-11088014	22.16
MODEL L90C BM							
LIFT	11088635	-13784	P-UB-14	70 mm	130 mm	VME-11999895	357.83
	11088635	-13784	P-UB-14	70 mm	130 mm	VME-11999895-EX	387.69
	11088635	-13784	Bushing	70 mm		VME-11088054	4.46
	11088635	-13784	Wear Ring		130 mm	VME-11088609	11.89
	11088764	13785-	P-UB-14	70 mm	130 mm	VME-11999895	357.83
	11088764	13785-	P-UB-14	70 mm	130 mm	VME-11999895-EX	387.69
	11088764	13785-	Bushing	70 mm		VME-11088054	4.46
	11088764	13785-	Wear Ring		130 mm	VME-11088609	11.89
QUICK-FIT	11082447	13001-14304;61901-62462;70001-70052	P-U-15	25 mm	45 mm	VME-11999362	120.66
STEERING	11088546	13001-14304;61901-62462;70001-70052	P-U-15	40 mm	70 mm	VME-11999907	88.34
	11088546	13001-14304;61901-62462;70001-70052	P-U-15	40 mm	70 mm	VME-11999907-EX	91.74
	11088546	13001-14304;61901-62462;70001-70052	Bushing	40 mm		VME-11088081	2.54
TILT	11088636	-13784	P-UB-14	90 mm	190 mm	VME-11999893	834.05
	11088636	-13784	P-UB-14	90 mm	190 mm	VME-11999893-EX	909.22
	11088636	-13784	Bushing	90 mm		VME-11088249	28.71
	11088636	-13784	Wear Ring		190 mm	VME-11088014	22.16
	11088769	13785-	P-UB-14	90 mm	190 mm	VME-11999893	834.05
	11088769	13785-	P-UB-14	90 mm	190 mm	VME-11999893-EX	909.22
	11088769	13785-	Bushing	90 mm		VME-11088249	28.71
	11088769	13785-	Wear Ring		190 mm	VME-11088014	22.16
MODEL L90D							
LIFT	11088764	-17003	P-UB-14	70 mm	130 mm	VME-11999895	357.83
	11088764	-17003	P-UB-14	70 mm	130 mm	VME-11999895-EX	387.69
	11088764	-17003	Bushing	70 mm		VME-11088054	4.46
	11088764	-17003	Wear Ring		130 mm	VME-11088609	11.89
	11107308	17004-;64001-;70501-	P-UB-10	70 mm	130 mm	VME-11707023	299.15
	11107308	17004-;64001-;70501-	P-UB-10	70 mm	130 mm	VME-11707023-EX	322.84
	11107308	17004-;64001-;70501-	Bushing	70 mm		VME-11088054	4.46
	11107308	17004-;64001-;70501-	Wear Ring		130 mm	VME-11088609	11.89
QUICK-FIT	11082447	17001-20000;64001-64937;70501-70800	P-U-15	25 mm	45 mm	VME-11999362	120.66
	11142695	17001-20000;64001-64937;70501-70800	P-U-10	16 mm	32 mm	VME-11705087	202.36
	11142695	17001-20000;64001-64937;70501-70800	P-U-10	16 mm	32 mm	VME-11705087-EX	206.71
	11142695	17001-20000;64001-64937;70501-70800	Bushing	16 mm		VME-11708994	12.78
	11157123	17001-20000;64001-64937;70501-70800	P-U-10	16 mm	32 mm	VME-11709111	103.85

LR - Long Reach SLF - Super Long Front QF - Quick Fit FS - Front Shovel MH - Material Handle AS - Articulate Slope

FORMERLY LISTED REPAIR PARTS ARE AVAILABLE ONLINE AT WWW.HERCULESUS.COM
OR BY CONTACTING YOUR REGIONAL HERCULES SALES TEAM.

VOLVO

Replacement Kits For

Loaders - Wheel							
APPLICATION	CYL #	SERIAL #	CODE	ROD	BORE	KIT #	List \$
MODEL L90D							
STEERING	11088546	17001-20000;64001-64937;70501-70800	P-U-15	40 mm	70 mm	VME-11999907	88.34
	11088546	17001-20000;64001-64937;70501-70800	P-U-15	40 mm	70 mm	VME-11999907-EX	91.74
	11088546	17001-20000;64001-64937;70501-70800	Bushing	40 mm		VME-11088081	2.54
TILT	11088769	-17003	P-UB-14	90 mm	190 mm	VME-11999893	834.05
	11088769	-17003	P-UB-14	90 mm	190 mm	VME-11999893-EX	909.22
	11088769	-17003	Bushing	90 mm		VME-11088249	28.71
	11088769	-17003	Wear Ring		190 mm	VME-11088014	22.16
	11107306	17004-;64001-;70501-	P-UB-10	90 mm	190 mm	VME-11707028	658.83
	11107306	17004-;64001-;70501-	P-UB-10	90 mm	190 mm	VME-11707028-EX	751.96
	11107306	17004-;64001-;70501-	Bushing	90 mm		VME-11088249	28.71
	11107306	17004-;64001-;70501-	Wear Ring		190 mm	VME-11088014	22.16
MODEL L90E							
LIFT	11107844	20005-30000;66001-70000;70801-80000	P-UB-10	70 mm	125 mm	VME-11715865	234.95
	11107844	20005-30000;66001-70000;70801-80000	P-UB-10	70 mm	125 mm	VME-11715865-EX	275.52
	11107844	20005-30000;66001-70000;70801-80000	Bushing	70 mm		VME-11088054	4.46
	11107844	20005-30000;66001-70000;70801-80000	Wear Ring		125 mm	VME-4833220	12.80
	11107853	20005-30000;66001-70000;70801-80000	P-UB-10	70 mm	120 mm	VME-11709829	250.36
	11107853	20005-30000;66001-70000;70801-80000	P-UB-10	70 mm	120 mm	VME-11709829-EX	276.91
	11107853	20005-30000;66001-70000;70801-80000	Bushing	70 mm		VME-11088054	4.46
	11107853	20005-30000;66001-70000;70801-80000	Wear Ring		120 mm	VME-11107298	6.97
STEERING	11107525	-20837;-66464;-70887	P-UB-15	50 mm	80 mm	VME-11709817	126.74
	11107525	-20837;-66464;-70887	P-UB-15	50 mm	80 mm	VME-11709817-EX	130.62
	11107525	-20837;-66464;-70887	Bushing	50 mm		VME-11088052	2.83
	11107787	20838-;66465-;70888-	P-UB-15	50 mm	80 mm	VME-11709817	126.74
	11107787	20838-;66465-;70888-	P-UB-15	50 mm	80 mm	VME-11709817-EX	130.62
TILT	11107847	20005-30000;66001-70000;70801-80000	P-UB-10	90 mm	180 mm	VME-11709832	637.61
	11107847	20005-30000;66001-70000;70801-80000	P-UB-10	90 mm	180 mm	VME-11709832-EX	686.93
	11107847	20005-30000;66001-70000;70801-80000	Bushing	90 mm		VME-11005427	9.47
	11107847	20005-30000;66001-70000;70801-80000	Wear Ring		180 mm	VME-11107217	17.46
	11107854	20005-30000;66001-70000;70801-80000	P-UB-10	90 mm	180 mm	VME-11709832	637.61
	11107854	20005-30000;66001-70000;70801-80000	P-UB-10	90 mm	180 mm	VME-11709832-EX	686.93
	11107854	20005-30000;66001-70000;70801-80000	Bushing	90 mm		VME-11005427	9.47
	11107854	20005-30000;66001-70000;70801-80000	Wear Ring		180 mm	VME-11107217	17.46
MODEL L90F							
HYDRAULIC	11107769	25006-, 71501-, 68101-	P-UB-15	50 mm	80 mm	VME-11709817	126.74
LIFT	11107844	25006-, 71501-, 68101-	P-UB-10	70 mm	125 mm	VME-11715865	234.95
	11107853	25006-, 71501-, 68101-	P-UB-10	70 mm	120 mm	VME-11709829	250.36
TILT	11107847	25006-, 71501-, 68101-	P-UB-10	90 mm	180 mm	VME-11709832	637.61
	11107854	25006-, 71501-, 68101-	P-UB-10	90 mm	180 mm	VME-11709832	637.61
MODEL L90G							
HYDRAULIC	11045357		P-U-15	60 mm	110 mm	VME-11704249	193.99
	11045360		P-U-15	50 mm	110 mm	VME-11704252	136.34
	11045361		P-U-15	50 mm	110 mm	VME-11704252	136.34
	11045363		P-U-15	60 mm	110 mm	VME-11704249	193.99
LIFT	17229007	3013-, 617001-	P-UB-10	70 mm	120 mm	VME-17253746	276.82
STEERING	17225201	3013-, 617001-	P-UB-15	50 mm	80 mm	VME-17254063	125.86
TILT	17229009	3013-, 617001-	P-UB-10	90 mm	180 mm	VME-17238417	259.46
	17229010	3013-, 617001-	P-UB-10	90 mm	180 mm	VME-17238417	259.46
MODEL L90H							
HYDRAULIC	11045357		P-U-15	60 mm	110 mm	VME-11704249	193.99
	11045360		P-U-15	50 mm	110 mm	VME-11704252	136.34
	11045361		P-U-15	50 mm	110 mm	VME-11704252	136.34
	11045363		P-U-15	60 mm	110 mm	VME-11704249	193.99
LIFT	17229007	13011-, 623002-	P-UB-10	70 mm	120 mm	VME-17253746	276.82

LR - Long Reach SLF - Super Long Front QF - Quick Fit FS - Front Shovel MH - Material Handle AS - Articulate Slope

Replacement Kits For

VOLVO

Loaders - Wheel								
APPLICATION	CYL #	SERIAL #	CODE	ROD	BORE	KIT #	List \$	
MODEL L90H								
STEERING	17225201	13011-, 623002-	P-UB-15	50 mm	80 mm	VME-17254063	125.86	
TILT	17229009	13011-, 623002-	P-UB-10	90 mm	180 mm	VME-17238417	259.46	
	17229010	13011-, 623002-	P-UB-10	90 mm	180 mm	VME-17238417	259.46	
MODEL L110E								
HYDRAULIC	11005402	2002-61000, 61001-70400, 70401-99999	P-U-15	60 mm	125 mm	VME-11000107	256.09	
	11010770	2002-61000, 61001-70400, 70401-99999	P-U-1	25 mm		VME-11990175	133.26	
	11045350	2002-61000, 61001-70400, 70401-99999	P-U-15	60 mm	125 mm	VME-11704247	207.88	
	11045351	2002-61000, 61001-70400, 70401-99999	P-U-15	50 mm	100 mm	VME-11704251	90.61	
	11045352	2002-61000, 61001-70400, 70401-99999	P-U-15	70 mm	140 mm	VME-11704250	238.69	
	11045353	2002-61000, 61001-70400, 70401-99999	P-U-15	60 mm	110 mm	VME-11704249	193.99	
	11045354	2002-61000, 61001-70400, 70401-99999	P-U-15	40 mm	80 mm	VME-11704253	100.50	
	11045355	2002-61000, 61001-70400, 70401-99999	P-U-15	40 mm	80 mm	VME-11704253	100.50	
	11045356	2002-61000, 61001-70400, 70401-99999	P-U-15	60 mm	125 mm	VME-11704247	207.88	
	11045357	2002-61000, 61001-70400, 70401-99999	P-U-15	60 mm	110 mm	VME-11704249	193.99	
	11045358	2002-61000, 61001-70400, 70401-99999	P-U-15	80 mm	150 mm	VME-11704689	278.08	
	11045360	2002-61000, 61001-70400, 70401-99999	P-U-15	50 mm	110 mm	VME-11704252	136.34	
	11045361	2002-61000, 61001-70400, 70401-99999	P-U-15	50 mm	110 mm	VME-11704252	136.34	
	11045363	2002-61000, 61001-70400, 70401-99999	P-U-15	60 mm	110 mm	VME-11704249	193.99	
	11045366	2002-61000, 61001-70400, 70401-99999	P-U-15	60 mm	125 mm	VME-11704248	178.33	
	11082749	2002-61000, 61001-70400, 70401-99999	P-U-15	60 mm	125 mm	VME-11704247	207.88	
	11088569	2002-61000, 61001-70400, 70401-99999	P-U-15	80 mm	150 mm	VME-11700187	178.12	
	11107516	1002-2165, 70201-70257, 60001-60631	P-UB-15	50 mm	80 mm	VME-11709817	126.74	
	11107790	1002-2165, 70201-70257, 60001-60631	P-UB-15	50 mm	80 mm	VME-11709817	126.74	
	11107790	2202-, 70401-70433, 61001-61289	P-UB-15	50 mm	80 mm	VME-11709817	126.74	
	11142677	2002-61000, 61001-70400, 70401-99999	P-U-15	40 mm	80 mm	VME-11704253	100.50	
	11156699	2002-61000, 61001-70400, 70401-99999	I-UB-10	32 mm	50 mm	VME-11709821	138.35	
	11156701	2002-61000, 61001-70400, 70401-99999	I-UB-10	32 mm	50 mm	VME-11709821	138.35	
	11157999	2002-61000, 61001-70400, 70401-99999	P-U-15	40 mm	80 mm	VME-11704253	100.50	
	11417176	2002-61000, 61001-70400, 70401-99999	P-U-15	60 mm	125 mm	VME-11704247	207.88	
	4784150	2002-61000, 61001-70400, 70401-99999	P-U-15	40 mm	80 mm	VME-6630662	104.25	
	4881335	2002-61000, 61001-70400, 70401-99999	P-U-15	25 mm	40 mm	VME-6630886	34.40	
	4881336	2002-61000, 61001-70400, 70401-99999	P-U-15	25 mm	40 mm	VME-6630886	34.40	
	LIFT	11107855	1002-2165, 70201-70257, 60001-60631	P-UB-10	80 mm	150 mm	VME-11708825	213.30
		11107855	2202-, 70401-70433, 61001-61289	P-UB-10	80 mm	150 mm	VME-11708825	213.30
	TILT	11107848	1002-2165, 70201-70257, 60001-60631	P-UB-10	110 mm	220 mm	VME-11708833	436.94
		11107848	2202-, 70401-70433, 61001-61289	P-UB-10	110 mm	220 mm	VME-11708833	436.94
11107856		1002-2165, 70201-70257, 60001-60631	P-UB-10	110 mm	220 mm	VME-11708833	436.94	
11107856		2202-, 70401-70433, 61001-61289	P-UB-10	110 mm	220 mm	VME-11708833	436.94	
MODEL L110F								
HYDRAULIC	11107790	3503-, 70601-, 61501-	P-UB-15	50 mm	80 mm	VME-11709817	126.74	
TILT	11107848	3503-, 70601-, 61501-	P-UB-10	110 mm	220 mm	VME-11708833	436.94	
	11107856	3503-, 70601-, 61501-	P-UB-10	110 mm	220 mm	VME-11708833	436.94	
MODEL L110G								
HYDRAULIC	11045357		P-U-15	60 mm	110 mm	VME-11704249	193.99	
	11045360		P-U-15	50 mm	110 mm	VME-11704252	136.34	
	11045361		P-U-15	50 mm	110 mm	VME-11704252	136.34	
	11045363		P-U-15	60 mm	110 mm	VME-11704249	193.99	
LIFT	17230560	8001-9393	P-UB-10	80 mm	150 mm	VME-17253413	414.85	
STEERING	17225202	8001-9393	P-UB-15	50 mm	80 mm	VME-11709817	126.74	
	17225202	8001-9393	Bushing	50 mm		VME-11088052	2.83	
TILT	15104755	8001-9393	P-UB-10	110 mm	210 mm	VME-17253420	529.97	
	17230565	8001-9393	P-UB-10	110 mm	210 mm	VME-17253420	529.97	
MODEL L110H								
HYDRAULIC	11045357		P-U-15	60 mm	110 mm	VME-11704249	193.99	
	11045360		P-U-15	50 mm	110 mm	VME-11704252	136.34	

LR - Long Reach SLF - Super Long Front QF - Quick Fit FS - Front Shovel MH - Material Handle AS - Articulate Slope

FORMERLY LISTED REPAIR PARTS ARE AVAILABLE ONLINE AT WWW.HERCULESUS.COM
OR BY CONTACTING YOUR REGIONAL HERCULESUS SALES TEAM.

VOLVO

Replacement Kits For

Loaders - Wheel							
APPLICATION	CYL #	SERIAL #	CODE	ROD	BORE	KIT #	List \$
MODEL L110H							
HYDRAULIC	11045361		P-U-15	50 mm	110 mm	VME-11704252	136.34
	11045363		P-U-15	60 mm	110 mm	VME-11704249	193.99
LIFT	17230560	10005-11490, 631001-	P-UB-10	80 mm	150 mm	VME-17253413	414.85
STEERING	17225202	10005-11019, 631001-631201	P-UB-15	50 mm	80 mm	VME-11709817	126.74
	17225202	10005-11019, 631001-631201	Bushing	50 mm		VME-11088052	2.83
	17263592	11020-11490, 631202-	P-UB-10	50 mm	75 mm	VME-15238850	240.23
TILT	17230564	10005-11490, 631001-	P-UB-10	110 mm	210 mm	VME-17253420	529.97
	17230656	10005-11490, 631001-	P-UB-10	110 mm	210 mm	VME-17253420	529.97
MODEL L120B							
ATTACHMENT	11005340	ALL	P-U-1	25 mm		VME-11990175	133.26
LIFT	11088048	ALL	P-U-15	70 mm	140 mm	VME-11990404	251.03
STEERING	11088049	ALL	P-U-15	50 mm	80 mm	VME-11990050	107.00
TILT	11088046	ALL	P-UB-15	60 mm	125 mm	VME-11990405	159.83
MODEL L120C							
LIFT	11088637	11319-60000;70075-80000;61677-70000	P-UB-14	80 mm	160 mm	VME-11999894	504.51
	11088637	11319-60000;70075-80000;61677-70000	P-UB-14	80 mm	160 mm	VME-11999894-EX	584.07
	11088637	11319-60000;70075-80000;61677-70000	Bushing	80 mm		VME-11088150	5.00
	11088637	11319-60000;70075-80000;61677-70000	Wear Ring		160 mm	VME-11088109	62.21
	11088778	11319-60000;70075-80000;61677-70000	P-UB-14	90 mm	170 mm	VME-11990349	769.64
	11088778	11319-60000;70075-80000;61677-70000	P-UB-14	90 mm	170 mm	VME-11990349-EX	843.44
	11088778	11319-60000;70075-80000;61677-70000	Bushing	90 mm		VME-11088249	28.71
	11088778	11319-60000;70075-80000;61677-70000	Wear Ring		170 mm	VME-11005323	19.82
	11107316	11319-60000;70075-80000;61677-70000	P-UB-10	90 mm	170 mm	VME-11707447	876.07
	11107316	11319-60000;70075-80000;61677-70000	P-UB-10	90 mm	170 mm	VME-11707447-EX	947.59
	11107316	11319-60000;70075-80000;61677-70000	Bushing	90 mm		VME-11088249	28.71
	11107316	11319-60000;70075-80000;61677-70000	Wear Ring		170 mm	VME-11005323	19.82
QUICK-FIT	11082447	11319-60000;70075-80000;61677-70000	P-U-15	25 mm	45 mm	VME-11999362	120.66
	11142695	11319-60000;70075-80000;61677-70000	P-U-10	16 mm	32 mm	VME-11705087	202.36
	11142695	11319-60000;70075-80000;61677-70000	P-U-10	16 mm	32 mm	VME-11705087-EX	206.71
	11142695	11319-60000;70075-80000;61677-70000	Bushing	16 mm		VME-11708994	12.78
	11157123	11319-60000;70075-80000;61677-70000	P-U-10	16 mm	32 mm	VME-11709111	103.85
STEERING	11088537	11319-60000;70075-80000;61677-70000	P-UB-15	50 mm	80 mm	VME-11999906	123.06
	11088537	11319-60000;70075-80000;61677-70000	P-UB-15	50 mm	80 mm	VME-11999906-EX	127.01
	11088537	11319-60000;70075-80000;61677-70000	Bushing	50 mm		VME-11088052	2.83
TILT	11088773	11319-60000;70075-80000;61677-70000	P-UB-14	110 mm	230 mm	VME-11999892	766.99
	11088773	11319-60000;70075-80000;61677-70000	P-UB-14	110 mm	230 mm	VME-11999892-EX	934.22
	11088773	11319-60000;70075-80000;61677-70000	Bushing	110 mm		VME-11088324	38.14
	11088773	11319-60000;70075-80000;61677-70000	Wear Ring		230 mm	VME-11088323	78.64
	11088785	11319-60000;70075-80000;61677-70000	P-UB-14	110 mm	230 mm	VME-11999892	766.99
	11088785	11319-60000;70075-80000;61677-70000	P-UB-14	110 mm	230 mm	VME-11999892-EX	934.22
	11088785	11319-60000;70075-80000;61677-70000	Bushing	110 mm		VME-11088324	38.14
	11088785	11319-60000;70075-80000;61677-70000	Wear Ring		230 mm	VME-11088323	78.64
	11107105	11319-60000;70075-80000;61677-70000	P-UB-14	110 mm	230 mm	VME-11999892	766.99
	11107105	11319-60000;70075-80000;61677-70000	P-UB-14	110 mm	230 mm	VME-11999892-EX	934.22
	11107105	11319-60000;70075-80000;61677-70000	Bushing	110 mm		VME-11088324	38.14
	11107105	11319-60000;70075-80000;61677-70000	Wear Ring		230 mm	VME-11088323	78.64
MODEL L120C BM							
LIFT	11088637	9901-11318;61301-61676	P-UB-14	80 mm	160 mm	VME-11999894	504.51
	11088637	9901-11318;61301-61676	P-UB-14	80 mm	160 mm	VME-11999894-EX	584.07
	11088637	9901-11318;61301-61676	Bushing	80 mm		VME-11088150	5.00
	11088637	9901-11318;61301-61676	Wear Ring		160 mm	VME-11088109	62.21
	11088778	9901-11318;61301-61676	P-UB-14	90 mm	170 mm	VME-11990349	769.64
	11088778	9901-11318;61301-61676	P-UB-14	90 mm	170 mm	VME-11990349-EX	843.44
	11088778	9901-11318;61301-61676	Bushing	90 mm		VME-11088249	28.71
	11088778	9901-11318;61301-61676	Wear Ring		170 mm	VME-11005323	19.82

LR - Long Reach SLF - Super Long Front QF - Quick Fit FS - Front Shovel MH - Material Handle AS - Articulate Slope

VOLVO

Replacement Kits For

Loaders - Wheel								
APPLICATION	CYL #	SERIAL #	CODE	ROD	BORE	KIT #	List \$	
MODEL L120C BM								
STEERING	11088537	9901-11318;61301-61676	P-UB-15	50 mm	80 mm	VME-11999906	123.06	
	11088537	9901-11318;61301-61676	P-UB-15	50 mm	80 mm	VME-11999906-EX	127.01	
	11088537	9901-11318;61301-61676	Bushing	50 mm		VME-11088052	2.83	
TILT	11088638	-10639	P-UB-14	110 mm	230 mm	VME-11999892	766.99	
	11088638	-10639	P-UB-14	110 mm	230 mm	VME-11999892-EX	934.22	
	11088638	-10639	Bushing	110 mm		VME-11088324	38.14	
	11088638	-10639	Wear Ring		230 mm	VME-11088323	78.64	
	11088773	9901-11318;61301-61676	P-UB-14	110 mm	230 mm	VME-11999892	766.99	
	11088773	9901-11318;61301-61676	P-UB-14	110 mm	230 mm	VME-11999892-EX	934.22	
	11088773	9901-11318;61301-61676	Bushing	110 mm		VME-11088324	38.14	
	11088773	9901-11318;61301-61676	Wear Ring		230 mm	VME-11088323	78.64	
	11088785	10640-	P-UB-14	110 mm	230 mm	VME-11999892	766.99	
	11088785	10640-	P-UB-14	110 mm	230 mm	VME-11999892-EX	934.22	
	11088785	10640-	Bushing	110 mm		VME-11088324	38.14	
	11088785	10640-	Wear Ring		230 mm	VME-11088323	78.64	
MODEL L120D								
LIFT	11088637	-14003	P-UB-14	80 mm	160 mm	VME-11999894	504.51	
	11088637	-14003	P-UB-14	80 mm	160 mm	VME-11999894-EX	584.07	
	11088637	-14003	Bushing	80 mm		VME-11088150	5.00	
	11088637	-14003	Wear Ring		160 mm	VME-11088109	62.21	
	11107312	14004-;63001-;70501-	P-UB-10	80 mm	160 mm	VME-11707024	403.81	
	11107312	14004-;63001-;70501-	P-UB-10	80 mm	160 mm	VME-11707024-EX	485.54	
	11107312	14004-;63001-;70501-	Bushing	80 mm		VME-11088150	5.00	
	11107312	14004-;63001-;70501-	Wear Ring		160 mm	VME-11088109	62.21	
	11107316	14001-15418;70501-70615;63001-63291	P-UB-10	90 mm	170 mm	VME-11707447	876.07	
	11107316	14001-15418;70501-70615;63001-63291	P-UB-10	90 mm	170 mm	VME-11707447-EX	947.59	
	11107316	14001-15418;70501-70615;63001-63291	Bushing	90 mm		VME-11088249	28.71	
	11107316	14001-15418;70501-70615;63001-63291	Wear Ring		170 mm	VME-11005323	19.82	
	QUICK-FIT	11142695	14001-15418;70501-70615;63001-63291	P-U-10	16 mm	32 mm	VME-11705087	202.36
		11142695	14001-15418;70501-70615;63001-63291	P-U-10	16 mm	32 mm	VME-11705087-EX	206.71
11142695		14001-15418;70501-70615;63001-63291	Bushing	16 mm		VME-11708994	12.78	
11157123		14001-15418;70501-70615;63001-63291	P-U-10	16 mm	32 mm	VME-11709111	103.85	
STEERING	11088537	14001-15418;70501-70615;63001-63291	P-UB-15	50 mm	80 mm	VME-11999906	123.06	
	11088537	14001-15418;70501-70615;63001-63291	P-UB-15	50 mm	80 mm	VME-11999906-EX	127.01	
	11088537	14001-15418;70501-70615;63001-63291	Bushing	50 mm		VME-11088052	2.83	
TILT	11107105	-14003	P-UB-14	110 mm	230 mm	VME-11999892	766.99	
	11107105	-14003	P-UB-14	110 mm	230 mm	VME-11999892-EX	934.22	
	11107105	-14003	Bushing	110 mm		VME-11088324	38.14	
	11107105	-14003	Wear Ring		230 mm	VME-11088323	78.64	
	11107310	14004-;63001-;70501-	P-UB-10	110 mm	230 mm	VME-11707029	796.71	
	11107310	14004-;63001-;70501-	P-UB-10	110 mm	230 mm	VME-11707029-EX	961.83	
	11107310	14004-;63001-;70501-	Bushing	110 mm		VME-11088324	38.14	
	11107310	14004-;63001-;70501-	Wear Ring		230 mm	VME-11088323	78.64	
	11107314	14001-15418;70501-70615;63001-63291	P-UB-10	110 mm	230 mm	VME-11707029	796.71	
	11107314	14001-15418;70501-70615;63001-63291	P-UB-10	110 mm	230 mm	VME-11707029-EX	961.83	
	11107314	14001-15418;70501-70615;63001-63291	Bushing	110 mm		VME-11088324	38.14	
	11107314	14001-15418;70501-70615;63001-63291	Wear Ring		230 mm	VME-11088323	78.64	
	MODEL L120E							
LIFT	11107561	-16797;-64229;-70730	P-UB-10	80 mm	150 mm	VME-11708825	213.30	
	11107561	-16797;-64229;-70730	P-UB-10	80 mm	150 mm	VME-11708825-EX	280.95	
	11107561	-16797;-64229;-70730	Bushing	80 mm		VME-11088150	5.00	
	11107561	-16797;-64229;-70730	Wear Ring		150 mm	VME-11107289	50.95	
	11107855	16798-19668;19804-;64230-66000;66001-;70731-71400;71401-	P-UB-10	80 mm	150 mm	VME-11708825	213.30	

LR - Long Reach SLF - Super Long Front QF - Quick Fit FS - Front Shovel MH - Material Handle AS - Articulate Slope

FORMERLY LISTED REPAIR PARTS ARE AVAILABLE ONLINE AT WWW.HERCULESUS.COM
OR BY CONTACTING YOUR REGIONAL HERCULES SALES TEAM.

Replacement Kits For

VOLVO

Loaders - Wheel							
APPLICATION	CYL #	SERIAL #	CODE	ROD	BORE	KIT #	List \$
MODEL L120E							
LIFT	11107855	16798-19668;19804-;64230-66000;66001-;70731-71400;71401-	P-UB-10	80 mm	150 mm	VME-11708825-EX	280.95
	11107855	16798-19668;19804-;64230-66000;66001-;70731-71400;71401-	Bushing	80 mm		VME-11088150	5.00
	11107855	16798-19668;19804-;64230-66000;66001-;70731-71400;71401-	Wear Ring		150 mm	VME-11107289	50.95
	11107857	16001-19668;19804-;64001-66000;66001-;70701-71400;71401-	P-UB-10	90 mm	160 mm	VME-11709384	293.76
	11107857	16001-19668;19804-;64001-66000;66001-;70701-71400;71401-	P-UB-10	90 mm	160 mm	VME-11709384-EX	380.68
	11107857	16001-19668;19804-;64001-66000;66001-;70701-71400;71401-	Bushing	90 mm		VME-11088249	28.71
	11107857	16001-19668;19804-;64001-66000;66001-;70701-71400;71401-	Wear Ring		160 mm	VME-11107223	15.54
QUICK-FIT	11157115	16001-19668;19804-;64001-66000;66001-;70701-71400;71401-	P-U-15	25 mm	45 mm	VME-11999362	120.66
	11157123	16001-19668;19804-;64001-66000;66001-;70701-71400;71401-	P-U-10	16 mm	32 mm	VME-11709111	103.85
STEERING	11107516	16001-19668;70701-71400;64001-66000	P-UB-15	50 mm	80 mm	VME-11709817	126.74
	11107516	16001-19668;70701-71400;64001-66000	P-UB-15	50 mm	80 mm	VME-11709817-EX	130.62
	11107516	16001-19668;70701-71400;64001-66000	Bushing	50 mm		VME-11088052	2.83
	11107790	16001-19668;19804-;64001-66000;66001-;70701-71400;71401-	P-UB-15	50 mm	80 mm	VME-11709817	126.74
	11107790	16001-19668;19804-;64001-66000;66001-;70701-71400;71401-	P-UB-15	50 mm	80 mm	VME-11709817-EX	130.62
	11107790	16001-19668;19804-;64001-66000;66001-;70701-71400;71401-	Bushing	50 mm		VME-11088052	2.83
TILT	11107244	16001-19668;70701-71400;64001-66000	P-UB-10	110 mm	220 mm	VME-11708833	436.94
	11107244	16001-19668;70701-71400;64001-66000	P-UB-10	110 mm	220 mm	VME-11708833-EX	602.89
	11107244	16001-19668;70701-71400;64001-66000	Bushing	110 mm		VME-11088324	38.14
	11107244	16001-19668;70701-71400;64001-66000	Wear Ring		220 mm	VME-11107254	64.52
	11107856	16001-19668;19804-;64001-66000;66001-;70701-71400;71401-	P-UB-10	110 mm	220 mm	VME-11708833	436.94
	11107856	16001-19668;19804-;64001-66000;66001-;70701-71400;71401-	P-UB-10	110 mm	220 mm	VME-11708833-EX	602.89
	11107856	16001-19668;19804-;64001-66000;66001-;70701-71400;71401-	Bushing	110 mm		VME-11088324	38.14
	11107856	16001-19668;19804-;64001-66000;66001-;70701-71400;71401-	Wear Ring		220 mm	VME-11107254	64.52
	11107858	16001-19668;19804-;64001-66000;66001-;70701-71400;71401-	P-UB-10	110 mm	220 mm	VME-11708833	436.94
	11107858	16001-19668;19804-;64001-66000;66001-;70701-71400;71401-	P-UB-10	110 mm	220 mm	VME-11708833-EX	602.89
	11107858	16001-19668;19804-;64001-66000;66001-;70701-71400;71401-	Bushing	110 mm		VME-11088324	38.14
	11107858	16001-19668;19804-;64001-66000;66001-;70701-71400;71401-	Wear Ring		220 mm	VME-11107254	64.52
MODEL L120F							
HYDRAULIC	11045351	23004-, 66401-, 71701-	P-U-15	50 mm	100 mm	VME-11704251	90.61
	11045352	23004-, 66401-, 71701-	P-U-15	70 mm	140 mm	VME-11704250	238.69
	11045353	23004-, 66401-, 71701-	P-U-15	60 mm	110 mm	VME-11704249	193.99
	11045355	23004-, 66401-, 71701-	P-U-15	40 mm	80 mm	VME-11704253	100.50
	11045356	23004-, 66401-, 71701-	P-U-15	60 mm	125 mm	VME-11704247	207.88
	11045357	23004-, 66401-, 71701-	P-U-15	60 mm	110 mm	VME-11704249	193.99
	11045358	23004-, 66401-, 71701-	P-U-15	80 mm	150 mm	VME-11704689	278.08
	11045360	23004-, 66401-, 71701-	P-U-15	50 mm	110 mm	VME-11704252	136.34
	11045361	23004-, 66401-, 71701-	P-U-15	50 mm	110 mm	VME-11704252	136.34
	11045363	23004-, 66401-, 71701-	P-U-15	60 mm	110 mm	VME-11704249	193.99
	11045366	23004-, 66401-, 71701-	P-U-15	60 mm	125 mm	VME-11704248	178.33

LR - Long Reach SLF - Super Long Front QF - Quick Fit FS - Front Shovel MH - Material Handle AS - Articulate Slope

VOLVO

Replacement Kits For

Loaders - Wheel							
APPLICATION	CYL #	SERIAL #	CODE	ROD	BORE	KIT #	List \$
MODEL L120F							
HYDRAULIC	11107790	23004-, 66401-, 71701-	P-UB-15	50 mm	80 mm	VME-11709817	126.74
	11107790	23004-, 66401-, 71701-	P-UB-15	50 mm	80 mm	VME-11709817-EX	130.62
	11107790	23004-, 71701-, 66401-	P-UB-15	50 mm	80 mm	VME-11709817	126.74
	11107790	23004-, 71701-, 66401-	P-UB-15	50 mm	80 mm	VME-11709817-EX	130.62
	11156699	23004-, 66401-, 71701-	I-UB-10	32 mm	50 mm	VME-11709821	138.35
	11156701	23004-, 66401-, 71701-	I-UB-10	32 mm	50 mm	VME-11709821	138.35
	11157999	23004-, 66401-, 71701-	P-U-15	40 mm	80 mm	VME-11704253	100.50
	11417176	23004-, 66401-, 71701-	P-U-15	60 mm	125 mm	VME-11704247	207.88
	15155930	23004-, 66401-, 71701-	P-U-15	40 mm	80 mm	VME-11704253	100.50
LIFT	11107855	23004-, 66401-, 71701-	P-UB-10	80 mm	150 mm	VME-11708825	213.30
	11107855	23004-, 66401-, 71701-	P-UB-10	80 mm	150 mm	VME-11708825-EX	280.95
	11107855	23004-, 71701-, 66401-	P-UB-10	80 mm	150 mm	VME-11708825	213.30
	11107855	23004-, 71701-, 66401-	P-UB-10	80 mm	150 mm	VME-11708825-EX	280.95
	11107857	23004-, 66401-, 71701-	P-UB-10	90 mm	160 mm	VME-11709384	293.76
	11107857	23004-, 66401-, 71701-	P-UB-10	90 mm	160 mm	VME-11709384-EX	380.68
	11107857	23004-, 71701-, 66401-	P-UB-10	90 mm	160 mm	VME-11709384	293.76
	11107857	23004-, 71701-, 66401-	P-UB-10	90 mm	160 mm	VME-11709384-EX	380.68
TILT	11107856	23004-, 71701-, 66401-	P-UB-10	110 mm	220 mm	VME-11708833	436.94
	11107856	23004-, 71701-, 66401-	P-UB-10	110 mm	220 mm	VME-11708833-EX	602.89
	11107858	23004-, 71701-, 66401-	P-UB-10	110 mm	220 mm	VME-11708833	436.94
	11107858	23004-, 71701-, 66401-	P-UB-10	110 mm	220 mm	VME-11708833-EX	602.89
	15148701	23004-, 66401-, 71701-	P-UB-10	110 mm	220 mm	VME-17253817	436.94
	15148701	23004-, 66401-, 71701-	P-UB-10	110 mm	220 mm	VME-17253817-EX	602.89
	15165423	23004-, 66401-, 71701-	P-UB-10	110 mm	220 mm	VME-17253817	436.94
	15165423	23004-, 66401-, 71701-	P-UB-10	110 mm	220 mm	VME-17253817-EX	602.89
MODEL L120G							
HYDRAULIC	11045357		P-U-15	60 mm	110 mm	VME-11704249	193.99
	11045360		P-U-15	50 mm	110 mm	VME-11704252	136.34
	11045361		P-U-15	50 mm	110 mm	VME-11704252	136.34
	11045363		P-U-15	60 mm	110 mm	VME-11704249	193.99
LIFT	17230560	30001-31533	P-UB-10	80 mm	150 mm	VME-17253413	414.85
STEERING	17225202	30001-31533	P-UB-15	50 mm	80 mm	VME-11709817	126.74
	17225202	30001-31533	Bushing	50 mm		VME-11088052	2.83
TILT	15104755	30001-31533	P-UB-10	110 mm	210 mm	VME-17253420	529.97
	17230566	30001-31533	P-UB-10	110 mm	210 mm	VME-17253420	529.97
MODEL L120H							
HYDRAULIC	11045357		P-U-15	60 mm	110 mm	VME-11704249	193.99
	11045360		P-U-15	50 mm	110 mm	VME-11704252	136.34
	11045361		P-U-15	50 mm	110 mm	VME-11704252	136.34
	11045363		P-U-15	60 mm	110 mm	VME-11704249	193.99
LIFT	17230560	14008-15722, 15723-, 632001-	P-UB-10	80 mm	150 mm	VME-17253413	414.85
STEERING	17225202	14008-15191, 15722, 15841-, 632001-632159	P-UB-15	50 mm	80 mm	VME-11709817	126.74
	17225202	14008-15191, 15722, 15841-, 632001-632159	Bushing	50 mm		VME-11088052	2.83
	17263592	15192-15721, 15723-15840, 632160-	P-UB-10	50 mm	75 mm	VME-15238850	240.23
TILT	17230564	14008-15722, 15723-, 632001-	P-UB-10	110 mm	210 mm	VME-17253420	529.97
	17230566	14008-15721, 15723-15840, 632001-	P-UB-10	110 mm	210 mm	VME-17253420	529.97
MODEL L150							
ATTACHMENT	11005392	ALL	P-U-15	32 mm	63 mm	VME-6630661	161.76
LIFT	11005470	-1233;-60096(USA)	P-UB-14	90 mm	170 mm	VME-11990349	769.64
	11005470	-1233;-60096(USA)	P-UB-14	90 mm	170 mm	VME-11990349-EX	843.44
	11005470	-1233;-60096(USA)	Bushing	90 mm		VME-11088249	28.71
	11005470	-1233;-60096(USA)	Wear Ring		170 mm	VME-11005323	19.82
	11088115	1234;-60097(USA)-	P-UB-14	90 mm	170 mm	VME-11990349	769.64
	11088115	1234;-60097(USA)-	P-UB-14	90 mm	170 mm	VME-11990349-EX	843.44
	11088115	1234;-60097(USA)-	Bushing	90 mm		VME-11088249	28.71

LR - Long Reach SLF - Super Long Front QF - Quick Fit FS - Front Shovel MH - Material Handle AS - Articulate Slope

FORMERLY LISTED REPAIR PARTS ARE AVAILABLE ONLINE AT WWW.HERCULESUS.COM
OR BY CONTACTING YOUR REGIONAL HERCULES SALES TEAM.

VOLVO

Replacement Kits For

Loaders - Wheel								
APPLICATION	CYL #	SERIAL #	CODE	ROD	BORE	KIT #	List \$	
MODEL L150								
LIFT	11088115	1234-;60097(USA)-	Wear Ring		170 mm	VME-11005323	19.82	
STEERING	11005294	ALL	P-U-15	50 mm	90 mm	VME-11990347	119.00	
	11005294	ALL	P-U-15	50 mm	90 mm	VME-11990347-EX	123.07	
	11005294	ALL	Bushing	50 mm		VME-11088052	2.83	
TILT	11005462	ALL	P-UB-14	120 mm	250 mm	VME-11990348	1139.98	
	11005462	ALL	P-UB-14	120 mm	250 mm	VME-11990348-EX	1250.57	
	11005462	ALL	Bushing	120 mm		VME-11088879	18.60	
	11005462	ALL	Wear Ring		250 mm	VME-11005324	57.51	
MODEL L150C								
LIFT	11088807	2768-10000;60701-70000	P-UB-14	90 mm	170 mm	VME-11990349	769.64	
	11088807	2768-10000;60701-70000	P-UB-14	90 mm	170 mm	VME-11990349-EX	843.44	
	11088807	2768-10000;60701-70000	Bushing	90 mm		VME-11088249	28.71	
	11088807	2768-10000;60701-70000	Wear Ring		170 mm	VME-11005323	19.82	
QUICK-FIT	11005392	2768-10000;60701-70000	P-U-15	32 mm	63 mm	VME-6630661	161.76	
	11045365	2768-10000;60701-70000	P-U-15	32 mm	63 mm	VME-11704254	88.62	
STEERING	11088296	2768-10000;60701-70000	P-U-15	50 mm	90 mm	VME-11990347	119.00	
	11088296	2768-10000;60701-70000	P-U-15	50 mm	90 mm	VME-11990347-EX	123.07	
	11088296	2768-10000;60701-70000	Bushing	50 mm		VME-11088052	2.83	
TILT	11088805	2768-10000;60701-70000	P-UB-14	120 mm	250 mm	VME-11990348	1139.98	
	11088805	2768-10000;60701-70000	P-UB-14	120 mm	250 mm	VME-11990348-EX	1250.57	
	11088805	2768-10000;60701-70000	Bushing	120 mm		VME-11088879	18.60	
	11088805	2768-10000;60701-70000	Wear Ring		250 mm	VME-11005324	57.51	
MODEL L150C BM								
LIFT	11005470	-1233;-60096	P-UB-14	90 mm	170 mm	VME-11990349	769.64	
	11005470	-1233;-60096	P-UB-14	90 mm	170 mm	VME-11990349-EX	843.44	
	11005470	-1233;-60096	Bushing	90 mm		VME-11088249	28.71	
	11005470	-1233;-60096	Wear Ring		170 mm	VME-11005323	19.82	
	11088115	1234-1792;60097-60333	P-UB-14	90 mm	170 mm	VME-11990349	769.64	
	11088115	1234-1792;60097-60333	P-UB-14	90 mm	170 mm	VME-11990349-EX	843.44	
	11088115	1234-1792;60097-60333	Bushing	90 mm		VME-11088249	28.71	
	11088115	1234-1792;60097-60333	Wear Ring		170 mm	VME-11005323	19.82	
	11088497	1793-2697;60334-60710	P-UB-14	90 mm	170 mm	VME-11990349	769.64	
	11088497	1793-2697;60334-60710	P-UB-14	90 mm	170 mm	VME-11990349-EX	843.44	
	11088497	1793-2697;60334-60710	Bushing	90 mm		VME-11088249	28.71	
	11088497	1793-2697;60334-60710	Wear Ring		170 mm	VME-11005323	19.82	
	11088807	2698-;60711-	P-UB-14	90 mm	170 mm	VME-11990349	769.64	
	11088807	2698-;60711-	P-UB-14	90 mm	170 mm	VME-11990349-EX	843.44	
	11088807	2698-;60711-	Bushing	90 mm		VME-11088249	28.71	
	11088807	2698-;60711-	Wear Ring		170 mm	VME-11005323	19.82	
	QUICK-FIT	11005392	2081-2767;60501-60708	P-U-15	32 mm	63 mm	VME-6630661	161.76
	STEERING	11005294	-1662;-60267	P-U-15	50 mm	90 mm	VME-11990347	119.00
11005294		-1662;-60267	P-U-15	50 mm	90 mm	VME-11990347-EX	123.07	
11005294		-1662;-60267	Bushing	50 mm		VME-11088052	2.83	
11088296		1663-;60268-	P-U-15	50 mm	90 mm	VME-11990347	119.00	
11088296		1663-;60268-	P-U-15	50 mm	90 mm	VME-11990347-EX	123.07	
11088296		1663-;60268-	Bushing	50 mm		VME-11088052	2.83	
TILT	11005462	-2006;-60419	P-UB-14	120 mm	250 mm	VME-11990348	1139.98	
	11005462	-2006;-60419	P-UB-14	120 mm	250 mm	VME-11990348-EX	1250.57	
	11005462	-2006;-60419	Bushing	120 mm		VME-11088879	18.60	
	11005462	-2006;-60419	Wear Ring		250 mm	VME-11005324	57.51	
	11088474	2007-2693;60420-60710	P-UB-14	120 mm	250 mm	VME-11990348	1139.98	
	11088474	2007-2693;60420-60710	P-UB-14	120 mm	250 mm	VME-11990348-EX	1250.57	
	11088474	2007-2693;60420-60710	Bushing	120 mm		VME-11088879	18.60	
	11088474	2007-2693;60420-60710	Wear Ring		250 mm	VME-11005324	57.51	
	11088805	2694-;60711-	P-UB-14	120 mm	250 mm	VME-11990348	1139.98	

LR - Long Reach SLF - Super Long Front QF - Quick Fit FS - Front Shovel MH - Material Handle AS - Articulate Slope

VOLVO

Replacement Kits For

Loaders - Wheel								
APPLICATION	CYL #	SERIAL #	CODE	ROD	BORE	KIT #	List \$	
MODEL L150C BM								
TILT	11088805	2694-;60711-	P-UB-14	120 mm	250 mm	VME-11990348-EX	1250.57	
	11088805	2694-;60711-	Bushing	120 mm		VME-11088879	18.60	
	11088805	2694-;60711-	Wear Ring		250 mm	VME-11005324	57.51	
MODEL L150D								
LIFT	11088807	-5004	P-UB-14	90 mm	170 mm	VME-11990349	769.64	
	11088807	-5004	P-UB-14	90 mm	170 mm	VME-11990349-EX	843.44	
	11088807	-5004	Bushing	90 mm		VME-11088249	28.71	
	11088807	-5004	Wear Ring		170 mm	VME-11005323	19.82	
	11107320	5005-;62501-62658	P-UB-10	90 mm	170 mm	VME-11707025	438.39	
	11107320	5005-;62501-62658	P-UB-10	90 mm	170 mm	VME-11707025-EX	474.30	
	11107320	5005-;62501-62658	Bushing	90 mm		VME-11005427	9.47	
	11107320	5005-;62501-62658	Wear Ring		170 mm	VME-11005323	19.82	
QUICK-FIT	11045365	62501-70000;5002-6000	P-U-15	32 mm	63 mm	VME-11704254	88.62	
	11157116	62501-70000;5002-6000	P-U-15	32 mm	63 mm	VME-11704254	88.62	
STEERING	11088296	62501-70000;5002-6000	P-U-15	50 mm	90 mm	VME-11990347	119.00	
	11088296	62501-70000;5002-6000	P-U-15	50 mm	90 mm	VME-11990347-EX	123.07	
	11088296	62501-70000;5002-6000	Bushing	50 mm		VME-11088052	2.83	
TILT	11088805	-5004	P-UB-14	120 mm	250 mm	VME-11990348	1139.98	
	11088805	-5004	P-UB-14	120 mm	250 mm	VME-11990348-EX	1250.57	
	11088805	-5004	Bushing	120 mm		VME-11088879	18.60	
	11088805	-5004	Wear Ring		250 mm	VME-11005324	57.51	
	11107318	5005-;62501-62658	P-UB-10	120 mm	250 mm	VME-11707030	879.18	
	11107318	5005-;62501-62658	P-UB-10	120 mm	250 mm	VME-11707030-EX	971.12	
	11107318	5005-;62501-62658	Bushing	120 mm		VME-11088879	18.60	
	11107318	5005-;62501-62658	Wear Ring		250 mm	VME-11005324	57.51	
	11107322	62501-70000;5002-6000	P-UB-10	120 mm	230 mm	VME-11707450	769.98	
	11107322	62501-70000;5002-6000	P-UB-10	120 mm	230 mm	VME-11707450-EX	888.30	
	11107322	62501-70000;5002-6000	Bushing	120 mm		VME-11088496	17.89	
	11107322	62501-70000;5002-6000	Wear Ring		230 mm	VME-11088323	78.64	
	MODEL L150E							
	LIFT	11107539	-6534	P-UB-10	90 mm	160 mm	VME-11709018	294.91
11107539		-6534	P-UB-10	90 mm	160 mm	VME-11709018-EX	336.72	
11107539		-6534	Bushing	90 mm		VME-11005427	9.47	
11107539		-6534	Wear Ring		160 mm	VME-11107223	15.54	
11107714		6535-8721	P-UB-10	90 mm	160 mm	VME-11709018	294.91	
11107714		6535-8721	P-UB-10	90 mm	160 mm	VME-11709018-EX	336.72	
11107714		6535-8721	Bushing	90 mm		VME-11005427	9.47	
11107714		6535-8721	Wear Ring		160 mm	VME-11107223	15.54	
11107859		8722-10000;10002-63000	P-UB-10	90 mm	160 mm	VME-11709018	294.91	
11107859		8722-10000;10002-63000	P-UB-10	90 mm	160 mm	VME-11709018-EX	336.72	
11107859		8722-10000;10002-63000	Bushing	90 mm		VME-11005427	9.47	
11107859	8722-10000;10002-63000	Wear Ring		160 mm	VME-11107223	15.54		
QUICK-FIT	11157116	10002-63000	P-U-15	32 mm	63 mm	VME-11704254	88.62	
STEERING	11107333	6001-10000;10002-63000;63001-80000	P-UB-15	50 mm	90 mm	VME-11709029	120.88	
	11107333	6001-10000;10002-63000;63001-80000	P-UB-15	50 mm	90 mm	VME-11709029-EX	124.89	
	11107333	6001-10000;10002-63000;63001-80000	Bushing	50 mm		VME-11088052	2.83	
TILT	11107256	63001-80000;6001-8721	P-UB-10	110 mm	230 mm	VME-11709026	450.79	
	11107256	63001-80000;6001-8721	P-UB-10	110 mm	230 mm	VME-11709026-EX	592.33	
	11107256	63001-80000;6001-8721	Bushing	110 mm		VME-11088324	38.14	
	11107256	63001-80000;6001-8721	Wear Ring		230 mm	VME-11107264	26.44	
	11107386	63001-80000;6001-8721	P-UB-10	110 mm	230 mm	VME-11709026	450.79	
	11107386	63001-80000;6001-8721	P-UB-10	110 mm	230 mm	VME-11709026-EX	592.33	
	11107386	63001-80000;6001-8721	Bushing	110 mm		VME-11088324	38.14	
	11107386	63001-80000;6001-8721	Wear Ring		230 mm	VME-11107264	26.44	
11107860	8722-10000;10002-63000	P-UB-10	110 mm	230 mm	VME-11709026	450.79		

LR - Long Reach SLF - Super Long Front QF - Quick Fit FS - Front Shovel MH - Material Handle AS - Articulate Slope

VOLVO

Replacement Kits For

Loaders - Wheel							
APPLICATION	CYL #	SERIAL #	CODE	ROD	BORE	KIT #	List \$
MODEL L150E							
TILT	11107860	8722-10000;10002-63000	P-UB-10	110 mm	230 mm	VME-11709026-EX	592.33
	11107860	8722-10000;10002-63000	Bushing	110 mm		VME-11088324	38.14
	11107860	8722-10000;10002-63000	Wear Ring		230 mm	VME-11107264	26.44
	11107861	8722-10000;10002-63000	P-UB-10	110 mm	230 mm	VME-11709026	450.79
	11107861	8722-10000;10002-63000	P-UB-10	110 mm	230 mm	VME-11709026-EX	592.33
	11107861	8722-10000;10002-63000	Bushing	110 mm		VME-11088324	38.14
	11107861	8722-10000;10002-63000	Wear Ring		230 mm	VME-11107264	26.44
MODEL L150F							
HYDRAULIC	11045351	13003-	P-U-15	50 mm	100 mm	VME-11704251	90.61
	11045352	13003-	P-U-15	70 mm	140 mm	VME-11704250	238.69
	11045353	13003-	P-U-15	60 mm	110 mm	VME-11704249	193.99
	11045355	13003-	P-U-15	40 mm	80 mm	VME-11704253	100.50
	11045356	13003-	P-U-15	60 mm	125 mm	VME-11704247	207.88
	11045357	13003-	P-U-15	60 mm	110 mm	VME-11704249	193.99
	11045358	13003-	P-U-15	80 mm	150 mm	VME-11704689	278.08
	11045360	13003-	P-U-15	50 mm	110 mm	VME-11704252	136.34
	11045361	13003-	P-U-15	50 mm	110 mm	VME-11704252	136.34
	11045363	13003-	P-U-15	60 mm	110 mm	VME-11704249	193.99
	11045366	13003-	P-U-15	60 mm	125 mm	VME-11704248	178.33
	11107333	13003-	P-UB-15	50 mm	90 mm	VME-11709029	120.88
	11107333	13003-	P-UB-15	50 mm	90 mm	VME-11709029-EX	124.89
	11107333	13003-17724	P-UB-15	50 mm	90 mm	VME-11709029	120.88
	11107333	13003-17724	P-UB-15	50 mm	90 mm	VME-11709029-EX	124.89
	11157116	13003-	P-U-15	32 mm	63 mm	VME-11704254	88.62
	11157116	13003-17724	P-U-15	32 mm	63 mm	VME-11704254	88.62
	11157999	13003-	P-U-15	40 mm	80 mm	VME-11704253	100.50
	11417176	13003-	P-U-15	60 mm	125 mm	VME-11704247	207.88
	15155930	13003-	P-U-15	40 mm	80 mm	VME-11704253	100.50
LIFT	11107859	13003-	P-UB-10	90 mm	160 mm	VME-11709018	294.91
	11107859	13003-	P-UB-10	90 mm	160 mm	VME-11709018-EX	336.72
	11107859	13003-17724	P-UB-10	90 mm	160 mm	VME-11709018	294.91
	11107859	13003-17724	P-UB-10	90 mm	160 mm	VME-11709018-EX	336.72
TILT	11107860	13003-	P-UB-10	110 mm	230 mm	VME-11709026	450.79
	11107860	13003-	P-UB-10	110 mm	230 mm	VME-11709026-EX	592.33
	11107860	13003-17724	P-UB-10	110 mm	230 mm	VME-11709026	450.79
	11107860	13003-17724	P-UB-10	110 mm	230 mm	VME-11709026-EX	592.33
	11107861	13003-	P-UB-10	110 mm	230 mm	VME-11709026	450.79
	11107861	13003-	P-UB-10	110 mm	230 mm	VME-11709026-EX	592.33
	11107861	13003-17724	P-UB-10	110 mm	230 mm	VME-11709026	450.79
11107861	13003-17724	P-UB-10	110 mm	230 mm	VME-11709026-EX	592.33	
MODEL L150G							
HYDRAULIC	11045351	18501-, 22004-	P-U-15	50 mm	100 mm	VME-11704251	90.61
	11045352	18501-, 22004-	P-U-15	70 mm	140 mm	VME-11704250	238.69
	11045353	18501-, 22004-	P-U-15	60 mm	110 mm	VME-11704249	193.99
	11045355	18501-, 22004-	P-U-15	40 mm	80 mm	VME-11704253	100.50
	11045356	18501-, 22004-	P-U-15	60 mm	125 mm	VME-11704247	207.88
	11045357	18501-, 22004-	P-U-15	60 mm	110 mm	VME-11704249	193.99
	11045358	18501-, 22004-	P-U-15	80 mm	150 mm	VME-11704689	278.08
	11045360	18501-, 22004-	P-U-15	50 mm	110 mm	VME-11704252	136.34
	11045361	18501-, 22004-	P-U-15	50 mm	110 mm	VME-11704252	136.34
	11045363	18501-, 22004-	P-U-15	60 mm	110 mm	VME-11704249	193.99
	11045366	18501-, 22004-	P-U-15	60 mm	125 mm	VME-11704248	178.33
	11157999	18501-, 22004-	P-U-15	40 mm	80 mm	VME-11704253	100.50
	11417176	18501-, 22004-	P-U-15	60 mm	125 mm	VME-11704247	207.88
	15090184	18501-, 22004-	P-UB-10	60 mm	100 mm	VME-17254012	133.03

LR - Long Reach SLF - Super Long Front QF - Quick Fit FS - Front Shovel MH - Material Handle AS - Articulate Slope

VOLVO

Replacement Kits For

Loaders - Wheel							
APPLICATION	CYL #	SERIAL #	CODE	ROD	BORE	KIT #	List \$
MODEL L150G							
LIFT	15094209	18501-, 22004-	P-UB-10	90 mm	160 mm	VME-17264520	236.78
	17230567	18501-, 22004-	P-UB-10	90 mm	160 mm	VME-17264520	236.78
TILT	15086728	18501-, 22004-	P-UB-10	110 mm	220 mm	VME-17264860	456.84
	15129463	18501-, 22004-	P-UB-10	110 mm	220 mm	VME-17264860	456.84
	17230569	18501-, 22004-	P-UB-10	110 mm	220 mm	VME-17264860	456.84
	17230570	18501-, 22004-	P-UB-10	110 mm	220 mm	VME-17264860	456.84
MODEL L150H							
GRAPPLE	11045352	4003-5823, 5825-5919, 9001-9184, 14001-14266	P-U-15	70 mm	140 mm	VME-11704250	238.69
	11417176	4003-5823, 5825-5919, 9001-9184, 14001-14266	P-U-15	60 mm	125 mm	VME-11704247	207.88
HEEL/KICK OUT	11045363	4003-5823, 5825-5919, 9001-9184, 14001-14266	P-U-15	60 mm	110 mm	VME-11704249	193.99
LIFT	17230567	4003-5823, 5825-5919, 9001-9184, 14001-14266	P-UB-10	90 mm	160 mm	VME-17264520	236.78
STEERING	17225203	4003-5823, 5825-5919, 9001-9184, 14001-14266	P-UB-10	60 mm	100 mm	VME-17254012	133.03
TILT	17230569	4003-5823, 5825-5919, 9001-9184, 14001-14266	P-UB-10	110 mm	220 mm	VME-17264860	456.84
	17230570	4003-5823, 5825-5919, 9001-9184, 14001-14266	P-UB-10	110 mm	220 mm	VME-17264860	456.84
MODEL L180							
BRACKET	11005392	ALL	P-U-15	32 mm	63 mm	VME-6630661	161.76
LIFT	11088007	ALL	P-UB-14	90 mm	190 mm	VME-11990396	635.09
	11088007	ALL	P-UB-14	90 mm	190 mm	VME-11990396-EX	669.52
	11088007	ALL	Bushing	90 mm		VME-11005427	9.47
	11088007	ALL	Wear Ring		190 mm	VME-11088014	22.16
LIFT, HIGH	11088169	ALL	P-U-13	70 mm	140 mm	VME-11998574	477.37
	11088169	ALL	P-U-13	70 mm	140 mm	VME-11998574-EX	498.57
	11088169	ALL	Bushing	70 mm		VME-11088054	4.46
	11088169	ALL	Wear Ring		140 mm	VME-11088220	13.50
	11088171	ALL	P-U-13	100 mm	140 mm	VME-11998575	548.24
	11088171	ALL	P-U-13	100 mm	140 mm	VME-11998575-EX	591.63
	11088171	ALL	Bushing	100 mm		VME-11088222	8.41
	11088171	ALL	Wear Ring		140 mm	VME-11088220	13.50
	4782993	ALL	P-U-15	50 mm	100 mm	VME-6630513	127.03
	4833321	ALL	P-U-15	70 mm	140 mm	VME-6630650	196.44
STEERING	11005404	ALL	P-U-15	50 mm	100 mm	VME-11990398	110.35
	11005404	ALL	P-U-15	50 mm	100 mm	VME-11990398-EX	114.82
	11005404	ALL	Bushing	50 mm		VME-11088052	2.83
TILT	11088000	ALL	P-UB-14	120 mm	260 mm	VME-11990395	1214.56
	11088000	ALL	P-UB-14	120 mm	260 mm	VME-11990395-EX	1302.03
	11088000	ALL	Bushing	120 mm		VME-11088879	18.60
	11088000	ALL	Wear Ring		260 mm	VME-11088013	59.83
MODEL L180C							
LIFT	11088808	2533-4000;60465-70000	P-UB-14	90 mm	190 mm	VME-11990396	635.09
	11088808	2533-4000;60465-70000	P-UB-14	90 mm	190 mm	VME-11990396-EX	669.52
	11088808	2533-4000;60465-70000	Bushing	90 mm		VME-11005427	9.47
	11088808	2533-4000;60465-70000	Wear Ring		190 mm	VME-11088014	22.16
QUICK-FIT	11005392	2533-4000;60465-70000	P-U-15	32 mm	63 mm	VME-6630661	161.76
	11045365	2533-4000;60465-70000	P-U-15	32 mm	63 mm	VME-11704254	88.62
STEERING	11088297	2533-4000;60465-70000	P-U-15	50 mm	100 mm	VME-11990398	110.35
	11088297	2533-4000;60465-70000	P-U-15	50 mm	100 mm	VME-11990398-EX	114.82
	11088297	2533-4000;60465-70000	Bushing	50 mm		VME-11088052	2.83
TILT	11088806	2533-4000;60465-70000	P-UB-14	120 mm	260 mm	VME-11990395	1214.56
	11088806	2533-4000;60465-70000	P-UB-14	120 mm	260 mm	VME-11990395-EX	1302.03
	11088806	2533-4000;60465-70000	Bushing	120 mm		VME-11088879	18.60

LR - Long Reach SLF - Super Long Front QF - Quick Fit FS - Front Shovel MH - Material Handle AS - Articulate Slope

FORMERLY LISTED REPAIR PARTS ARE AVAILABLE ONLINE AT WWW.HERCULESUS.COM
OR BY CONTACTING YOUR REGIONAL HERCULES SALES TEAM.

VOLVO

Replacement Kits For

Loaders - Wheel							
APPLICATION	CYL #	SERIAL #	CODE	ROD	BORE	KIT #	List \$
MODEL L180C							
TILT	11088806	2533-4000;60465-70000	Wear Ring		260 mm	VME-11088013	59.83
	11088810	2533-4000;60465-70000	P-UB-14	120 mm	250 mm	VME-11701531	1130.76
	11088810	2533-4000;60465-70000	P-UB-14	120 mm	250 mm	VME-11701531-EX	1217.30
	11088810	2533-4000;60465-70000	Bushing	120 mm		VME-11088879	18.60
	11088810	2533-4000;60465-70000	Wear Ring		250 mm	VME-11005324	57.51
MODEL L180C BM							
LIFT	11088007	-1530;-60154	P-UB-14	90 mm	190 mm	VME-11990396	635.09
	11088007	-1530;-60154	P-UB-14	90 mm	190 mm	VME-11990396-EX	669.52
	11088007	-1530;-60154	Bushing	90 mm		VME-11005427	9.47
	11088007	-1530;-60154	Wear Ring		190 mm	VME-11088014	22.16
	11088498	1531-2473;60155-60476	P-UB-14	90 mm	190 mm	VME-11990396	635.09
	11088498	1531-2473;60155-60476	P-UB-14	90 mm	190 mm	VME-11990396-EX	669.52
	11088498	1531-2473;60155-60476	Bushing	90 mm		VME-11005427	9.47
	11088498	1531-2473;60155-60476	Wear Ring		190 mm	VME-11088014	22.16
	11088808	2474;-60477-	P-UB-14	90 mm	190 mm	VME-11990396	635.09
	11088808	2474;-60477-	P-UB-14	90 mm	190 mm	VME-11990396-EX	669.52
	11088808	2474;-60477-	Bushing	90 mm		VME-11005427	9.47
	11088808	2474;-60477-	Wear Ring		190 mm	VME-11088014	22.16
	QUICK-FIT	11005392	1836-2532;60301-60464	P-U-15	32 mm	63 mm	VME-6630661
STEERING	11005404	-1396;-60106	P-U-15	50 mm	100 mm	VME-11990398	110.35
	11005404	-1396;-60106	P-U-15	50 mm	100 mm	VME-11990398-EX	114.82
	11005404	-1396;-60106	Bushing	50 mm		VME-11088052	2.83
	11088297	1397;-60107-	P-U-15	50 mm	100 mm	VME-11990398	110.35
	11088297	1397;-60107-	P-U-15	50 mm	100 mm	VME-11990398-EX	114.82
	11088297	1397;-60107-	Bushing	50 mm		VME-11088052	2.83
TILT	11088000	-1769;-60204	P-UB-14	120 mm	260 mm	VME-11990395	1214.56
	11088000	-1769;-60204	P-UB-14	120 mm	260 mm	VME-11990395-EX	1302.03
	11088000	-1769;-60204	Bushing	120 mm		VME-11088879	18.60
	11088000	-1769;-60204	Wear Ring		260 mm	VME-11088013	59.83
	11088475	1770-2470;60205-60477	P-UB-14	120 mm	260 mm	VME-11990395	1214.56
	11088475	1770-2470;60205-60477	P-UB-14	120 mm	260 mm	VME-11990395-EX	1302.03
	11088475	1770-2470;60205-60477	Bushing	120 mm		VME-11088879	18.60
	11088475	1770-2470;60205-60477	Wear Ring		260 mm	VME-11088013	59.83
	11088674	-2470;-60477	P-UB-14	120 mm	250 mm	VME-11701531	1130.76
	11088674	-2470;-60477	P-UB-14	120 mm	250 mm	VME-11701531-EX	1217.30
	11088674	-2470;-60477	Bushing	120 mm		VME-11088879	18.60
	11088674	-2470;-60477	Wear Ring		250 mm	VME-11005324	57.51
	11088806	2471;-60478-	P-UB-14	120 mm	260 mm	VME-11990395	1214.56
	11088806	2471;-60478-	P-UB-14	120 mm	260 mm	VME-11990395-EX	1302.03
	11088806	2471;-60478-	Bushing	120 mm		VME-11088879	18.60
	11088806	2471;-60478-	Wear Ring		260 mm	VME-11088013	59.83
	11088810	2471;-60478-	P-UB-14	120 mm	250 mm	VME-11701531	1130.76
	11088810	2471;-60478-	P-UB-14	120 mm	250 mm	VME-11701531-EX	1217.30
	11088810	2471;-60478-	Bushing	120 mm		VME-11088879	18.60
	11088810	2471;-60478-	Wear Ring		250 mm	VME-11005324	57.51
MODEL L180D							
LIFT	11088808	-4004	P-UB-14	90 mm	190 mm	VME-11990396	635.09
	11088808	-4004	P-UB-14	90 mm	190 mm	VME-11990396-EX	669.52
	11088808	-4004	Bushing	90 mm		VME-11005427	9.47
	11088808	-4004	Wear Ring		190 mm	VME-11088014	22.16
	11107229	4005;-62001-70000	P-UB-10	90 mm	190 mm	VME-11707026	469.08
	11107229	4005;-62001-70000	P-UB-10	90 mm	190 mm	VME-11707026-EX	503.52
	11107229	4005;-62001-70000	Bushing	90 mm		VME-11005427	9.47
	11107229	4005;-62001-70000	Wear Ring		190 mm	VME-11088014	22.16
QUICK-FIT	11045365	62001-70000;4002-5000	P-U-15	32 mm	63 mm	VME-11704254	88.62

LR - Long Reach SLF - Super Long Front QF - Quick Fit FS - Front Shovel MH - Material Handle AS - Articulate Slope

Replacement Kits For

VOLVO

Loaders - Wheel							
APPLICATION	CYL #	SERIAL #	CODE	ROD	BORE	KIT #	List \$
MODEL L180D							
QUICK-FIT	11157116	62001-70000;4002-5000	P-U-15	32 mm	63 mm	VME-11704254	88.62
STEERING	11088297	62001-70000;4002-5000	P-U-15	50 mm	100 mm	VME-11990398	110.35
	11088297	62001-70000;4002-5000	P-U-15	50 mm	100 mm	VME-11990398-EX	114.82
	11088297	62001-70000;4002-5000	Bushing	50 mm		VME-11088052	2.83
TILT	11088806	-4004	P-UB-14	120 mm	260 mm	VME-11990395	1214.56
	11088806	-4004	P-UB-14	120 mm	260 mm	VME-11990395-EX	1302.03
	11088806	-4004	Bushing	120 mm		VME-11088879	18.60
	11088806	-4004	Wear Ring		260 mm	VME-11088013	59.83
	11107324	4005;-62001-70000	P-UB-10	120 mm	260 mm	VME-11707031	992.30
	11107324	4005;-62001-70000	P-UB-10	120 mm	260 mm	VME-11707031-EX	1084.57
	11107324	4005;-62001-70000	Bushing	120 mm		VME-11088879	18.60
	11107324	4005;-62001-70000	Wear Ring		260 mm	VME-11088013	59.83
	11107326	62001-70000;4002-5000	P-UB-10	120 mm	250 mm	VME-11707451	869.68
	11107326	62001-70000;4002-5000	P-UB-10	120 mm	250 mm	VME-11707451-EX	961.79
	11107326	62001-70000;4002-5000	Bushing	120 mm		VME-11088879	18.60
	11107326	62001-70000;4002-5000	Wear Ring		250 mm	VME-11005324	57.51
	MODEL L180D HL						
LIFT	11088169	62001-70000;4002-5000	P-U-13	100 mm	140 mm	VME-11998575	548.24
	11088169	62001-70000;4002-5000	P-U-13	100 mm	140 mm	VME-11998575-EX	591.63
	11088169	62001-70000;4002-5000	Bushing	100 mm		VME-11088222	8.41
	11088169	62001-70000;4002-5000	Wear Ring		140 mm	VME-11088220	13.50
	11107595	62001-70000;4002-5000	P-U-13	100 mm	140 mm	VME-11998575	548.24
	11107595	62001-70000;4002-5000	P-U-13	100 mm	140 mm	VME-11998575-EX	591.63
	11107595	62001-70000;4002-5000	Bushing	100 mm		VME-11088222	8.41
	11107595	62001-70000;4002-5000	Wear Ring		140 mm	VME-11088220	13.50
STEERING	11088297	62001-70000;4002-5000	P-U-15	50 mm	100 mm	VME-11990398	110.35
	11088297	62001-70000;4002-5000	P-U-15	50 mm	100 mm	VME-11990398-EX	114.82
	11088297	62001-70000;4002-5000	Bushing	50 mm		VME-11088052	2.83
TILT	11088171	62001-70000;4002-5000	P-U-13	70 mm	140 mm	VME-11998574	477.37
	11088171	62001-70000;4002-5000	P-U-13	70 mm	140 mm	VME-11998574-EX	498.57
	11088171	62001-70000;4002-5000	Bushing	70 mm		VME-11088054	4.46
	11088171	62001-70000;4002-5000	Wear Ring		140 mm	VME-11088220	13.50
	11107600	62001-70000;4002-5000	P-U-13	70 mm	140 mm	VME-11998574	477.37
	11107600	62001-70000;4002-5000	P-U-13	70 mm	140 mm	VME-11998574-EX	498.57
	11107600	62001-70000;4002-5000	Bushing	70 mm		VME-11088054	4.46
	11107600	62001-70000;4002-5000	Wear Ring		140 mm	VME-11088220	13.50
MODEL L180E							
LIFT	11107534	-5426	P-UB-10	90 mm	180 mm	VME-11709019	316.98
	11107534	-5426	P-UB-10	90 mm	180 mm	VME-11709019-EX	362.11
	11107534	-5426	Bushing	90 mm		VME-11005427	9.47
	11107534	-5426	Wear Ring		180 mm	VME-11107217	17.46
	11107862	5427-9999	P-UB-10	90 mm	180 mm	VME-11709019	316.98
	11107862	5427-9999	P-UB-10	90 mm	180 mm	VME-11709019-EX	362.11
	11107862	5427-9999	Bushing	90 mm		VME-11005427	9.47
	11107862	5427-9999	Wear Ring		180 mm	VME-11107217	17.46
QUICK-FIT	11157116	8001-9999	P-U-15	32 mm	63 mm	VME-11704254	88.62
STEERING	11107334	5001-9999;62501-69999	P-UB-15	50 mm	100 mm	VME-11709028	132.36
	11107334	5001-9999;62501-69999	P-UB-15	50 mm	100 mm	VME-11709028-EX	136.14
	11107334	5001-9999;62501-69999	Bushing	50 mm		VME-11088052	2.83
TILT	11107863	5001-9999;62501-69999	P-UB-10	120 mm	250 mm	VME-11709025	685.73
	11107863	5001-9999;62501-69999	P-UB-10	120 mm	250 mm	VME-11709025-EX	815.85
	11107863	5001-9999;62501-69999	Bushing	120 mm		VME-11088879	18.60
	11107863	5001-9999;62501-69999	Wear Ring		250 mm	VME-11107227	36.95
	11107864	5001-9999;62501-69999	P-UB-10	120 mm	250 mm	VME-11709025	685.73
	11107864	5001-9999;62501-69999	P-UB-10	120 mm	250 mm	VME-11709025-EX	815.85

LR - Long Reach SLF - Super Long Front QF - Quick Fit FS - Front Shovel MH - Material Handle AS - Articulate Slope

FORMERLY LISTED REPAIR PARTS ARE AVAILABLE ONLINE AT WWW.HERCULESUS.COM
OR BY CONTACTING YOUR REGIONAL HERCULESUS SALES TEAM.

VOLVO

Replacement Kits For

Loaders - Wheel								
APPLICATION	CYL #	SERIAL #	CODE	ROD	BORE	KIT #	List \$	
MODEL L180E								
TILT	11107864	5001-9999;62501-69999	Bushing	120 mm		VME-11088879	18.60	
	11107864	5001-9999;62501-69999	Wear Ring		250 mm	VME-11107227	36.95	
MODEL L180E HL								
LIFT	11088169	5086-8000	P-U-13	100 mm	140 mm	VME-11998575	548.24	
	11088169	5086-8000	P-U-13	100 mm	140 mm	VME-11998575-EX	591.63	
	11088169	5086-8000	Bushing	100 mm		VME-11088222	8.41	
	11088169	5086-8000	Wear Ring		140 mm	VME-11088220	13.50	
	11107595	5086-9999	P-U-13	100 mm	140 mm	VME-11998575	548.24	
	11107595	5086-9999	P-U-13	100 mm	140 mm	VME-11998575-EX	591.63	
	11107595	5086-9999	Bushing	100 mm		VME-11088222	8.41	
	11107595	5086-9999	Wear Ring		140 mm	VME-11088220	13.50	
STEERING	11107334	5086-9999	P-UB-15	50 mm	100 mm	VME-11709028	132.36	
	11107334	5086-9999	P-UB-15	50 mm	100 mm	VME-11709028-EX	136.14	
	11107334	5086-9999	Bushing	50 mm		VME-11088052	2.83	
TILT	11088171	5086-8000	P-U-13	70 mm	140 mm	VME-11998574	477.37	
	11088171	5086-8000	P-U-13	70 mm	140 mm	VME-11998574-EX	498.57	
	11088171	5086-8000	Bushing	70 mm		VME-11088054	4.46	
	11088171	5086-8000	Wear Ring		140 mm	VME-11088220	13.50	
	11107600	5086-9999	P-U-13	70 mm	140 mm	VME-11998574	477.37	
	11107600	5086-9999	P-U-13	70 mm	140 mm	VME-11998574-EX	498.57	
	11107600	5086-9999	Bushing	70 mm		VME-11088054	4.46	
	11107600	5086-9999	Wear Ring		140 mm	VME-11088220	13.50	
MODEL L180F								
HYDRAULIC	11045351	11004-	P-U-15	50 mm	100 mm	VME-11704251	90.61	
	11045352	11004-	P-U-15	70 mm	140 mm	VME-11704250	238.69	
	11045355	11004-	P-U-15	40 mm	80 mm	VME-11704253	100.50	
	11045358	11004-	P-U-15	80 mm	150 mm	VME-11704689	278.08	
	11045360	11004-	P-U-15	50 mm	110 mm	VME-11704252	136.34	
	11045361	11004-	P-U-15	50 mm	110 mm	VME-11704252	136.34	
	11045366	11004-	P-U-15	60 mm	125 mm	VME-11704248	178.33	
	11107334	11004-	P-UB-15	50 mm	100 mm	VME-11709028	132.36	
	11107334	11004-	P-UB-15	50 mm	100 mm	VME-11709028-EX	136.14	
	11107334	11004-15577	P-UB-15	50 mm	100 mm	VME-11709028	132.36	
	11107334	11004-15577	P-UB-15	50 mm	100 mm	VME-11709028-EX	136.14	
	11156699	11004-	I-UB-10	32 mm	50 mm	VME-11709821	138.35	
	11156701	11004-	I-UB-10	32 mm	50 mm	VME-11709821	138.35	
	11157116	11004-	P-U-15	32 mm	63 mm	VME-11704254	88.62	
	11157116	11004-15577	P-U-15	32 mm	63 mm	VME-11704254	88.62	
	11157999	11004-	P-U-15	40 mm	80 mm	VME-11704253	100.50	
	11417176	11004-	P-U-15	60 mm	125 mm	VME-11704247	207.88	
	15155930	11004-	P-U-15	40 mm	80 mm	VME-11704253	100.50	
	LIFT	11107862	11004-	P-UB-10	90 mm	180 mm	VME-11709019	316.98
		11107862	11004-	P-UB-10	90 mm	180 mm	VME-11709019-EX	362.11
		11107862	11004-15577	P-UB-10	90 mm	180 mm	VME-11709019	316.98
		11107862	11004-15577	P-UB-10	90 mm	180 mm	VME-11709019-EX	362.11
	TILT	11107863	11004-	P-UB-10	120 mm	250 mm	VME-11709025	685.73
11107863		11004-	P-UB-10	120 mm	250 mm	VME-11709025-EX	815.85	
11107863		11004-15577	P-UB-10	120 mm	250 mm	VME-11709025	685.73	
11107863		11004-15577	P-UB-10	120 mm	250 mm	VME-11709025-EX	815.85	
11107864		11004-	P-UB-10	120 mm	250 mm	VME-11709025	685.73	
11107864		11004-	P-UB-10	120 mm	250 mm	VME-11709025-EX	815.85	
11107864		11004-15577	P-UB-10	120 mm	250 mm	VME-11709025	685.73	
11107864		11004-15577	P-UB-10	120 mm	250 mm	VME-11709025-EX	815.85	
MODEL L180F HL								
HYDRAULIC	11045351		P-U-15	50 mm	100 mm	VME-11704251	90.61	

LR - Long Reach SLF - Super Long Front QF - Quick Fit FS - Front Shovel MH - Material Handle AS - Articulate Slope

VOLVO

Replacement Kits For

Loaders - Wheel							
APPLICATION	CYL #	SERIAL #	CODE	ROD	BORE	KIT #	List \$
MODEL L180F HL							
HYDRAULIC	11045351	11004-15577	P-U-15	50 mm	100 mm	VME-11704251	90.61
	11045352		P-U-15	70 mm	140 mm	VME-11704250	238.69
	11045353		P-U-15	60 mm	110 mm	VME-11704249	193.99
	11045355		P-U-15	40 mm	80 mm	VME-11704253	100.50
	11045356		P-U-15	60 mm	125 mm	VME-11704247	207.88
	11045357		P-U-15	60 mm	110 mm	VME-11704249	193.99
	11045358		P-U-15	80 mm	150 mm	VME-11704689	278.08
	11045360		P-U-15	50 mm	110 mm	VME-11704252	136.34
	11045361		P-U-15	50 mm	110 mm	VME-11704252	136.34
	11045363		P-U-15	60 mm	110 mm	VME-11704249	193.99
	11045366		P-U-15	60 mm	125 mm	VME-11704248	178.33
	11107334	11004-15577	P-UB-15	50 mm	100 mm	VME-11709028	132.36
	11107334	11004-15577	P-UB-15	50 mm	100 mm	VME-11709028-EX	136.14
	11156699		I-UB-10	32 mm	50 mm	VME-11709821	138.35
	11156701		I-UB-10	32 mm	50 mm	VME-11709821	138.35
	11157999		P-U-15	40 mm	80 mm	VME-11704253	100.50
	11417176		P-U-15	60 mm	125 mm	VME-11704247	207.88
15155930		P-U-15	40 mm	80 mm	VME-11704253	100.50	
LIFT	11107889	11004-15577	P-UB-10	110 mm	140 mm	VME-17253752	428.36
TILT	11107906	11004-15577	P-UB-10	70 mm	140 mm	VME-17253805	281.71
MODEL L180G							
HYDRAULIC	11045351	16001-, 19004-	P-U-15	50 mm	100 mm	VME-11704251	90.61
	11045352	16001-, 19004-	P-U-15	70 mm	140 mm	VME-11704250	238.69
	11045353	16001-, 19004-	P-U-15	60 mm	110 mm	VME-11704249	193.99
	11045355	16001-, 19004-	P-U-15	40 mm	80 mm	VME-11704253	100.50
	11045356	16001-, 19004-	P-U-15	60 mm	125 mm	VME-11704247	207.88
	11045357	16001-, 19004-	P-U-15	60 mm	110 mm	VME-11704249	193.99
	11045358	16001-, 19004-	P-U-15	80 mm	150 mm	VME-11704689	278.08
	11045360	16001-, 19004-	P-U-15	50 mm	110 mm	VME-11704252	136.34
	11045361	16001-, 19004-	P-U-15	50 mm	110 mm	VME-11704252	136.34
	11045363	16001-, 19004-	P-U-15	60 mm	110 mm	VME-11704249	193.99
	11045366	16001-, 19004-	P-U-15	60 mm	125 mm	VME-11704248	178.33
	11157999	16001-, 19004-	P-U-15	40 mm	80 mm	VME-11704253	100.50
	11417176	16001-, 19004-	P-U-15	60 mm	125 mm	VME-11704247	207.88
	15090184	16001-, 19004-	P-UB-10	60 mm	100 mm	VME-17254012	133.03
	LIFT	15094104	16001-, 19004-	P-UB-10	90 mm	180 mm	VME-17238417
TILT	15086745	16001-, 19004-	P-UB-10	120 mm	240 mm	VME-17238415	574.67
	15131243	16001-, 19004-	P-UB-10	120 mm	240 mm	VME-17238415	574.67
	17230577	16001-, 19004-	P-UB-10	120 mm	240 mm	VME-17238415	574.67
	17230578	16001-, 19004-	P-UB-10	120 mm	240 mm	VME-17238415	574.67
MODEL L180H							
GRAPPLE	11045352	3003-4495, 8001-8067, 13001-13098	P-U-15	70 mm	140 mm	VME-11704250	238.69
	11417176	3003-4495, 8001-8067, 13001-13098	P-U-15	60 mm	125 mm	VME-11704247	207.88
HEEL/KICK OUT	11045363	3003-4495, 8001-8067, 13001-13098	P-U-15	60 mm	110 mm	VME-11704249	193.99
LIFT	17230574	3003-4495, 8001-8067, 13001-13098	P-UB-10	90 mm	180 mm	VME-17238417	259.46
STEERING	17225203	3003-4495, 8001-8067, 13001-13098	P-UB-10	60 mm	100 mm	VME-17254012	133.03
TILT	17230577	3003-4495, 8001-8067, 13001-13098	P-UB-10	120 mm	240 mm	VME-17238415	574.67
	17230578	3003-4495, 8001-8067, 13001-13098	P-UB-10	120 mm	240 mm	VME-17238415	574.67
MODEL L220D							
LIFT	11107552	1001-10000	P-UB-10	90 mm	190 mm	VME-11705882	338.82
	11107552	1001-10000	P-UB-10	90 mm	190 mm	VME-11705882-EX	399.75
	11107552	1001-10000	Bushing	90 mm		VME-11005427	9.47
	11107552	1001-10000	Wear Ring		190 mm	VME-11107168	18.26
QUICK-FIT	11157116	1001-10000	P-U-15	32 mm	63 mm	VME-11704254	88.62
STEERING	11107057	1001-10000	P-U-10	50 mm	100 mm	VME-11703689	130.86

LR - Long Reach SLF - Super Long Front QF - Quick Fit FS - Front Shovel MH - Material Handle AS - Articulate Slope

FORMERLY LISTED REPAIR PARTS ARE AVAILABLE ONLINE AT WWW.HERCULESUS.COM
OR BY CONTACTING YOUR REGIONAL HERCULES SALES TEAM.

VOLVO

Replacement Kits For

Loaders - Wheel

APPLICATION	CYL #	SERIAL #	CODE	ROD	BORE	KIT #	List \$
MODEL L220D							
STEERING	11107057	1001-10000	P-U-10	50 mm	100 mm	VME-11703689-EX	142.56
	11107057	1001-10000	Bushing	50 mm		VME-11088052	2.83
	11107057	1001-10000	Wear Ring		100 mm	VME-11088148	6.56
TILT	11107050	1001-10000	P-UB-14	120 mm	260 mm	VME-11703860	1078.58
	11107050	1001-10000	P-UB-14	120 mm	260 mm	VME-11703860-EX	1208.38
	11107050	1001-10000	Bushing	120 mm		VME-11088496	17.89
	11107050	1001-10000	Wear Ring		260 mm	VME-11107041	76.99
	11107118	1001-10000	P-UB-14	120 mm	260 mm	VME-11703860	1078.58
	11107118	1001-10000	P-UB-14	120 mm	260 mm	VME-11703860-EX	1208.38
	11107118	1001-10000	Bushing	120 mm		VME-11088496	17.89
	11107118	1001-10000	Wear Ring		260 mm	VME-11107041	76.99
	11107328	1001-10000	P-UB-10	120 mm	260 mm	VME-11707027	954.48
	11107328	1001-10000	P-UB-10	120 mm	260 mm	VME-11707027-EX	1086.92
	11107328	1001-10000	Bushing	120 mm		VME-11088496	17.89
	11107328	1001-10000	Wear Ring		260 mm	VME-11107332	38.48
	11107330	1001-10000	P-UB-10	120 mm	260 mm	VME-11707027	954.48
	11107330	1001-10000	P-UB-10	120 mm	260 mm	VME-11707027-EX	1086.92
	11107330	1001-10000	Bushing	120 mm		VME-11088496	17.89
11107330	1001-10000	Wear Ring		260 mm	VME-11107332	38.48	
MODEL L220E							
LIFT	11107794	2005-3566;4003-9999	P-UB-10	90 mm	190 mm	VME-11705882	338.82
	11107794	2005-3566;4003-9999	P-UB-10	90 mm	190 mm	VME-11705882-EX	399.75
	11107794	2005-3566;4003-9999	Bushing	90 mm		VME-11005427	9.47
	11107794	2005-3566;4003-9999	Wear Ring		190 mm	VME-11107168	18.26
STEERING	11107793	2005-3566;4003-9999	P-UB-10	60 mm	100 mm	VME-11714561	182.28
	11107793	2005-3566;4003-9999	P-UB-10	60 mm	100 mm	VME-11714561-EX	191.85
	11107793	2005-3566;4003-9999	Bushing	60 mm		VME-11088053	3.80
	11107793	2005-3566;4003-9999	Wear Ring		100 mm	VME-11088148	6.56
TILT	11107795	2005-3566;4003-9999	P-UB-10	120 mm	260 mm	VME-11707027	954.48
	11107795	2005-3566;4003-9999	P-UB-10	120 mm	260 mm	VME-11707027-EX	1086.92
	11107795	2005-3566;4003-9999	Bushing	120 mm		VME-11088496	17.89
	11107795	2005-3566;4003-9999	Wear Ring		260 mm	VME-11107332	38.48
	11107829	2005-3566;4003-9999	P-UB-10	120 mm	260 mm	VME-11707027	954.48
	11107829	2005-3566;4003-9999	P-UB-10	120 mm	260 mm	VME-11707027-EX	1086.92
	11107829	2005-3566;4003-9999	Bushing	120 mm		VME-11088496	17.89
11107829	2005-3566;4003-9999	Wear Ring		260 mm	VME-11107332	38.48	
MODEL L220F							
HYDRAULIC	11045351	6005-	P-U-15	50 mm	100 mm	VME-11704251	90.61
	11045352	6005-	P-U-15	70 mm	140 mm	VME-11704250	238.69
	11045353	6005-	P-U-15	60 mm	110 mm	VME-11704249	193.99
	11045355	6005-	P-U-15	40 mm	80 mm	VME-11704253	100.50
	11045356	6005-	P-U-15	60 mm	125 mm	VME-11704247	207.88
	11045357	6005-	P-U-15	60 mm	110 mm	VME-11704249	193.99
	11045358	6005-	P-U-15	80 mm	150 mm	VME-11704689	278.08
	11045360	6005-	P-U-15	50 mm	110 mm	VME-11704252	136.34
	11045361	6005-	P-U-15	50 mm	110 mm	VME-11704252	136.34
	11045363	6005-	P-U-15	60 mm	110 mm	VME-11704249	193.99
	11045366	6005-	P-U-15	60 mm	125 mm	VME-11704248	178.33
	11107793	6005-	P-UB-10	60 mm	100 mm	VME-11714561	182.28
	11107793	6005-	P-UB-10	60 mm	100 mm	VME-11714561-EX	191.85
	11156699	6005-	I-UB-10	32 mm	50 mm	VME-11709821	138.35
	11156701	6005-	I-UB-10	32 mm	50 mm	VME-11709821	138.35
	11157999	6005-	P-U-15	40 mm	80 mm	VME-11704253	100.50
	11417176	6005-	P-U-15	60 mm	125 mm	VME-11704247	207.88
	15010209	6005-8485	P-UB-10	60 mm	100 mm	VME-11714561	182.28

LR - Long Reach

SLF - Super Long Front

QF - Quick Fit

FS - Front Shovel

MH - Material Handle

AS - Articulate Slope

VOLVO

Replacement Kits For

Loaders - Wheel							
APPLICATION	CYL #	SERIAL #	CODE	ROD	BORE	KIT #	List \$
MODEL L220F							
HYDRAULIC	15010209	6005-8485	P-UB-10	60 mm	100 mm	VME-11714561-EX	191.85
	15155930	6005-	P-U-15	40 mm	80 mm	VME-11704253	100.50
LIFT	11107794	6005-	P-UB-10	90 mm	190 mm	VME-11705882	338.82
	11107794	6005-	P-UB-10	90 mm	190 mm	VME-11705882-EX	399.75
	11107794	6005-8485	P-UB-10	90 mm	190 mm	VME-11705882	338.82
	11107794	6005-8485	P-UB-10	90 mm	190 mm	VME-11705882-EX	399.75
TILT	11107795	6005-	P-UB-10	120 mm	260 mm	VME-11707027	954.48
	11107795	6005-	P-UB-10	120 mm	260 mm	VME-11707027-EX	1086.92
	11107795	6005-8485	P-UB-10	120 mm	260 mm	VME-11707027	954.48
	11107795	6005-8485	P-UB-10	120 mm	260 mm	VME-11707027-EX	1086.92
	11107829	6005-	P-UB-10	120 mm	260 mm	VME-11707027	954.48
	11107829	6005-	P-UB-10	120 mm	260 mm	VME-11707027-EX	1086.92
	11107829	6005-8485	P-UB-10	120 mm	260 mm	VME-11707027	954.48
	11107829	6005-8485	P-UB-10	120 mm	260 mm	VME-11707027-EX	1086.92
	11107829	6005-8485	P-UB-10	120 mm	260 mm	VME-11707027-EX	1086.92
MODEL L220G							
HYDRAULIC	11045351	9001-, 12004-	P-U-15	50 mm	100 mm	VME-11704251	90.61
	11045352	9001-, 12004-	P-U-15	70 mm	140 mm	VME-11704250	238.69
	11045353	9001-, 12004-	P-U-15	60 mm	110 mm	VME-11704249	193.99
	11045355	9001-, 12004-	P-U-15	40 mm	80 mm	VME-11704253	100.50
	11045356	9001-, 12004-	P-U-15	60 mm	125 mm	VME-11704247	207.88
	11045357	9001-, 12004-	P-U-15	60 mm	110 mm	VME-11704249	193.99
	11045358	9001-, 12004-	P-U-15	80 mm	150 mm	VME-11704689	278.08
	11045360	9001-, 12004-	P-U-15	50 mm	110 mm	VME-11704252	136.34
	11045361	9001-, 12004-	P-U-15	50 mm	110 mm	VME-11704252	136.34
	11045363	9001-, 12004-	P-U-15	60 mm	110 mm	VME-11704249	193.99
	11045366	9001-, 12004-	P-U-15	60 mm	125 mm	VME-11704248	178.33
	11157999	9001-, 12004-	P-U-15	40 mm	80 mm	VME-11704253	100.50
	11417176	9001-, 12004-	P-U-15	60 mm	125 mm	VME-11704247	207.88
	15090184	9001-, 12004-	P-UB-10	60 mm	100 mm	VME-17254012	133.03
	LIFT	15093342	9001-, 12004-	P-UB-10	90 mm	190 mm	VME-17238406
TILT	15086624	9001-, 12004-	P-UB-10	120 mm	250 mm	VME-17238353	806.94
	15128783	9001-, 12004-	P-UB-10	120 mm	250 mm	VME-17238353	806.94
MODEL L220H							
GRAPPLE	11045352	2003-2690, 2692-2734, 7001-7271, 12001-12103	P-U-15	70 mm	140 mm	VME-11704250	238.69
	11417176	2003-2690, 2692-2734, 7001-7271, 12001-12103	P-U-15	60 mm	125 mm	VME-11704247	207.88
HEEL/KICK OUT	11045363	2003-2690, 2692-2734, 7001-7271, 12001-12103	P-U-15	60 mm	110 mm	VME-11704249	193.99
LIFT	17230575	2003-2690, 2692-2734, 7001-7271, 12001-12103	P-UB-10	90 mm	190 mm	VME-17238406	387.25
STEERING	17225203	2003-2690, 2692-2734, 7001-7271, 12001-12103	P-UB-10	60 mm	100 mm	VME-17254012	133.03
TILT	17230579	2003-2690, 2692-2734, 7001-7271, 12001-12103	P-UB-10	120 mm	250 mm	VME-17238353	806.94
	17230580	2003-2690, 2692-2734, 7001-7271, 12001-12103	P-UB-10	120 mm	250 mm	VME-17238353	806.94
MODEL L250G							
HYDRAULIC	11045351	1002-, 3004-	P-U-15	50 mm	100 mm	VME-11704251	90.61
	11045352	1002-, 3004-	P-U-15	70 mm	140 mm	VME-11704250	238.69
	11045353	1002-, 3004-	P-U-15	60 mm	110 mm	VME-11704249	193.99
	11045355	1002-, 3004-	P-U-15	40 mm	80 mm	VME-11704253	100.50
	11045356	1002-, 3004-	P-U-15	60 mm	125 mm	VME-11704247	207.88
	11045357	1002-, 3004-	P-U-15	60 mm	110 mm	VME-11704249	193.99
	11045358	1002-, 3004-	P-U-15	80 mm	150 mm	VME-11704689	278.08
	11045360	1002-, 3004-	P-U-15	50 mm	110 mm	VME-11704252	136.34
	11045361	1002-, 3004-	P-U-15	50 mm	110 mm	VME-11704252	136.34

LR - Long Reach SLF - Super Long Front QF - Quick Fit FS - Front Shovel MH - Material Handle AS - Articulate Slope

VOLVO

Replacement Kits For

Loaders - Wheel								
APPLICATION	CYL #	SERIAL #	CODE	ROD	BORE	KIT #	List \$	
MODEL L250G								
HYDRAULIC	11045363	1002-, 3004-	P-U-15	60 mm	110 mm	VME-11704249	193.99	
	11045366	1002-, 3004-	P-U-15	60 mm	125 mm	VME-11704248	178.33	
	11157999	1002-, 3004-	P-U-15	40 mm	80 mm	VME-11704253	100.50	
	11417176	1002-, 3004-	P-U-15	60 mm	125 mm	VME-11704247	207.88	
	15090184	1002-, 3004-	P-UB-10	60 mm	100 mm	VME-17254012	133.03	
LIFT	15176546	1002-, 3004-	P-UB-10	110 mm	190 mm	VME-17265005	505.06	
TILT	15086562	1002-, 3004-	P-UB-10	120 mm	220 mm	VME-17265044	729.71	
MODEL L320								
LIFT	2558980	811A101-;811AC00651-	P-UB-10	4-1/2	9	VME-2562117	534.29	
STEERING	12579807	811A101-;811AC00651-	P-UB-10	2-3/4	5	VME-2562115	374.76	
TILT	2559495	811A101-;811AC00651-	P-UB-10	3-1/2	7-1/2	VME-2562116	389.79	
MODEL L330C								
LIFT	11088626	60001-60086	P-UB-14	120 mm	230 mm	VME-11707904	1079.75	
	11088626	60001-60086	P-UB-14	120 mm	230 mm	VME-11707904-EX	1535.00	
	11088626	60001-60086	Bushing	120 mm		VME-11088496	17.89	
	11088626	60001-60086	Wear Ring		230 mm	VME-11088323	78.64	
	11088795	60001-61000	P-UB-14	120 mm	230 mm	VME-11707904	1079.75	
	11088795	60001-61000	P-UB-14	120 mm	230 mm	VME-11707904-EX	1535.00	
	11088795	60001-61000	Bushing	120 mm		VME-11088496	17.89	
	11088795	60001-61000	Wear Ring		230 mm	VME-11088793	141.39	
	11088795	60188-61000	P-UB-14	120 mm	230 mm	VME-11707904	1079.75	
	11088795	60188-61000	P-UB-14	120 mm	230 mm	VME-11707904-EX	1535.00	
	11088795	60188-61000	Bushing	120 mm		VME-11088496	17.89	
	11088795	60188-61000	Wear Ring		230 mm	VME-11088793	141.39	
	STEERING	11107381	60188-61000	P-UB-15	70 mm	125 mm	VME-15012903	290.07
		11107381	60188-61000	P-UB-15	70 mm	125 mm	VME-15012903-EX	299.48
		11107381	60188-61000	Bushing	70 mm		VME-11088054	4.46
11107382		60188-61000	P-UB-15	70 mm	125 mm	VME-15012903	290.07	
11107382		60188-61000	P-UB-15	70 mm	125 mm	VME-15012903-EX	299.48	
11107382		60188-61000	Bushing	70 mm		VME-11088054	4.46	
STEERING LH	11088529	60001-61000	P-UB-15	70 mm	125 mm	VME-11707902	238.06	
STEERING RH	11088531	60001-61000	P-UB-15	70 mm	125 mm	VME-11707902	238.06	
TILT	11088625	60001-61000	P-UB-14	90 mm	190 mm	VME-11707903	668.16	
	11088625	60001-61000	P-UB-14	90 mm	190 mm	VME-11707903-EX	746.89	
	11088625	60001-61000	Bushing	90 mm		VME-11088249	28.71	
	11088625	60001-61000	Wear Ring		190 mm	VME-11088014	22.16	
	11088625	60188-61000	P-UB-14	90 mm	190 mm	VME-11707903	668.16	
	11088625	60188-61000	P-UB-14	90 mm	190 mm	VME-11707903-EX	746.89	
	11088625	60188-61000	Bushing	90 mm		VME-11088249	28.71	
	11088625	60188-61000	Wear Ring		190 mm	VME-11088014	22.16	
MODEL L330C BM								
LIFT	11088626	-60086	P-UB-14	120 mm	230 mm	VME-11707904	1079.75	
	11088626	-60086	P-UB-14	120 mm	230 mm	VME-11707904-EX	1535.00	
	11088626	-60086	Bushing	120 mm		VME-11088496	17.89	
	11088626	-60086	Wear Ring		230 mm	VME-11088323	78.64	
	11088795	60087-	P-UB-14	120 mm	230 mm	VME-11707904	1079.75	
	11088795	60087-	P-UB-14	120 mm	230 mm	VME-11707904-EX	1535.00	
	11088795	60087-	Bushing	120 mm		VME-11088496	17.89	
	11088795	60087-	Wear Ring		230 mm	VME-11088793	141.39	
STEERING	11107381	60001-60187	P-UB-15	70 mm	125 mm	VME-15012903	290.07	
	11107381	60001-60187	P-UB-15	70 mm	125 mm	VME-15012903-EX	299.48	
	11107381	60001-60187	Bushing	70 mm		VME-11088054	4.46	
	11107382	60001-60187	P-UB-15	70 mm	125 mm	VME-15012903	290.07	
	11107382	60001-60187	P-UB-15	70 mm	125 mm	VME-15012903-EX	299.48	
	11107382	60001-60187	Bushing	70 mm		VME-11088054	4.46	

LR - Long Reach SLF - Super Long Front QF - Quick Fit FS - Front Shovel MH - Material Handle AS - Articulate Slope

VOLVO

Replacement Kits For

Loaders - Wheel							
APPLICATION	CYL #	SERIAL #	CODE	ROD	BORE	KIT #	List \$
MODEL L330C BM							
TILT	11088625	60001-60187	P-UB-14	90 mm	190 mm	VME-11707903	668.16
	11088625	60001-60187	P-UB-14	90 mm	190 mm	VME-11707903-EX	746.89
	11088625	60001-60187	Bushing	90 mm		VME-11088249	28.71
	11088625	60001-60187	Wear Ring		190 mm	VME-11088014	22.16
MODEL L330C LL							
LIFT	11088626	60001-60086	P-UB-14	120 mm	230 mm	VME-11707904	1079.75
	11088626	60001-60086	P-UB-14	120 mm	230 mm	VME-11707904-EX	1535.00
	11088626	60001-60086	Bushing	120 mm		VME-11088496	17.89
	11088626	60001-60086	Wear Ring		230 mm	VME-11088323	78.64
	11088795	60001-61000	P-UB-14	120 mm	230 mm	VME-11707904	1079.75
	11088795	60001-61000	P-UB-14	120 mm	230 mm	VME-11707904-EX	1535.00
	11088795	60001-61000	Bushing	120 mm		VME-11088496	17.89
	11088795	60001-61000	Wear Ring		230 mm	VME-11088793	141.39
	11088795	68052-70000	P-UB-14	120 mm	230 mm	VME-11707904	1079.75
	11088795	68052-70000	P-UB-14	120 mm	230 mm	VME-11707904-EX	1535.00
	11088795	68052-70000	Bushing	120 mm		VME-11088496	17.89
	11088795	68052-70000	Wear Ring		230 mm	VME-11088793	141.39
STEERING	11107381	68052-70000	P-UB-15	70 mm	125 mm	VME-15012903	290.07
	11107381	68052-70000	P-UB-15	70 mm	125 mm	VME-15012903-EX	299.48
	11107381	68052-70000	Bushing	70 mm		VME-11088054	4.46
	11107382	68052-70000	P-UB-15	70 mm	125 mm	VME-15012903	290.07
	11107382	68052-70000	P-UB-15	70 mm	125 mm	VME-15012903-EX	299.48
STEERING LH	11088529	60001-61000	P-UB-15	70 mm	125 mm	VME-11707902	238.06
	11088531	60001-61000	P-UB-15	70 mm	125 mm	VME-11707902	238.06
TILT	11088625	60001-61000	P-UB-14	90 mm	190 mm	VME-11707903	668.16
	11088625	60001-61000	P-UB-14	90 mm	190 mm	VME-11707903-EX	746.89
	11088625	60001-61000	Bushing	90 mm		VME-11088249	28.71
	11088625	60001-61000	Wear Ring		190 mm	VME-11088014	22.16
	11088625	68052-70000	P-UB-14	90 mm	190 mm	VME-11707903	668.16
	11088625	68052-70000	P-UB-14	90 mm	190 mm	VME-11707903-EX	746.89
	11088625	68052-70000	Bushing	90 mm		VME-11088249	28.71
	11088625	68052-70000	Wear Ring		190 mm	VME-11088014	22.16
MODEL L330C LL BM							
LIFT	11088626	-60086	P-UB-14	120 mm	230 mm	VME-11707904	1079.75
	11088626	-60086	P-UB-14	120 mm	230 mm	VME-11707904-EX	1535.00
	11088626	-60086	Bushing	120 mm		VME-11088496	17.89
	11088626	-60086	Wear Ring		230 mm	VME-11088323	78.64
	11088795	60087-	P-UB-14	120 mm	230 mm	VME-11707904	1079.75
	11088795	60087-	P-UB-14	120 mm	230 mm	VME-11707904-EX	1535.00
	11088795	60087-	Bushing	120 mm		VME-11088496	17.89
	11088795	60087-	Wear Ring		230 mm	VME-11088793	141.39
STEERING	11107381	60001-60189	P-UB-15	70 mm	125 mm	VME-15012903	290.07
	11107381	60001-60189	P-UB-15	70 mm	125 mm	VME-15012903-EX	299.48
	11107381	60001-60189	Bushing	70 mm		VME-11088054	4.46
	11107382	60001-60189	P-UB-15	70 mm	125 mm	VME-15012903	290.07
	11107382	60001-60189	P-UB-15	70 mm	125 mm	VME-15012903-EX	299.48
TILT	11088625	60001-60189	P-UB-14	90 mm	190 mm	VME-11707903	668.16
	11088625	60001-60189	P-UB-14	90 mm	190 mm	VME-11707903-EX	746.89
	11088625	60001-60189	Bushing	90 mm		VME-11088249	28.71
	11088625	60001-60189	Wear Ring		190 mm	VME-11088014	22.16
MODEL L330D							
LIFT	11107383	61001-70000	P-UB-10	110 mm	200 mm	VME-11707905	1262.20
STEERING	11107981	61001-70000	P-UB-15	70 mm	125 mm	VME-15012903	290.07

LR - Long Reach SLF - Super Long Front QF - Quick Fit FS - Front Shovel MH - Material Handle AS - Articulate Slope

FORMERLY LISTED REPAIR PARTS ARE AVAILABLE ONLINE AT WWW.HERCULESUS.COM
OR BY CONTACTING YOUR REGIONAL HERCULES SALES TEAM.

VOLVO

Replacement Kits For

Loaders - Wheel

APPLICATION	CYL #	SERIAL #	CODE	ROD	BORE	KIT #	List \$
MODEL L330D							
STEERING	11107981	61001-70000	P-UB-15	70 mm	125 mm	VME-15012903-EX	299.48
	11107981	61001-70000	Bushing	70 mm		VME-11088054	4.46
	11107982	61001-70000	P-UB-15	70 mm	125 mm	VME-15012903	290.07
	11107982	61001-70000	P-UB-15	70 mm	125 mm	VME-15012903-EX	299.48
	11107982	61001-70000	Bushing	70 mm		VME-11088054	4.46
TILT	11107148	-61084	P-UB-10	90 mm	170 mm	VME-11709226	528.13
	11107494	61085-62017	P-UB-10	90 mm	170 mm	VME-11709226	528.13
	11107505	62018-	P-UB-10	90 mm	170 mm	VME-11709226	528.13
MODEL L330E							
LIFT	11107579	-62117	P-UB-10	110 mm	200 mm	VME-11707905	1262.20
	11107865	62118-	P-UB-10	110 mm	200 mm	VME-11707905	1262.20
	11107867	62006-99999	P-UB-10	120 mm	230 mm	VME-11712156	982.02
STEERING	11107381	62006-99999	P-UB-15	70 mm	125 mm	VME-15012903	290.07
	11107381	62006-99999	P-UB-15	70 mm	125 mm	VME-15012903-EX	299.48
	11107381	62006-99999	Bushing	70 mm		VME-11088054	4.46
	11107382	62006-99999	P-UB-15	70 mm	125 mm	VME-15012903	290.07
	11107382	62006-99999	P-UB-15	70 mm	125 mm	VME-15012903-EX	299.48
	11107382	62006-99999	Bushing	70 mm		VME-11088054	4.46
	11107929	62006-99999	P-UB-15	70 mm	125 mm	VME-15012903	290.07
	11107929	62006-99999	P-UB-15	70 mm	125 mm	VME-15012903-EX	299.48
	11107929	62006-99999	Bushing	70 mm		VME-11088054	4.46
	11107930	62006-99999	P-UB-15	70 mm	125 mm	VME-15012903	290.07
	11107930	62006-99999	P-UB-15	70 mm	125 mm	VME-15012903-EX	299.48
	11107930	62006-99999	Bushing	70 mm		VME-11088054	4.46
	TILT	11088625	62006-99999	P-UB-14	90 mm	190 mm	VME-11707903
11088625		62006-99999	P-UB-14	90 mm	190 mm	VME-11707903-EX	746.89
11088625		62006-99999	Bushing	90 mm		VME-11088249	28.71
11088625		62006-99999	Wear Ring		190 mm	VME-11088014	22.16
11107866		62006-99999	P-UB-10	90 mm	170 mm	VME-11709226	528.13
MODEL L350F							
HYDRAULIC	11045351	1001-10000	P-U-15	50 mm	100 mm	VME-11704251	90.61
	11045352	1001-10000	P-U-15	70 mm	140 mm	VME-11704250	238.69
	11045353	1001-10000	P-U-15	60 mm	110 mm	VME-11704249	193.99
	11045355	1001-10000	P-U-15	40 mm	80 mm	VME-11704253	100.50
	11045356	1001-10000	P-U-15	60 mm	125 mm	VME-11704247	207.88
	11045357	1001-10000	P-U-15	60 mm	110 mm	VME-11704249	193.99
	11045358	1001-10000	P-U-15	80 mm	150 mm	VME-11704689	278.08
	11045360	1001-10000	P-U-15	50 mm	110 mm	VME-11704252	136.34
	11045361	1001-10000	P-U-15	50 mm	110 mm	VME-11704252	136.34
	11045363	1001-10000	P-U-15	60 mm	110 mm	VME-11704249	193.99
	11045366	1001-10000	P-U-15	60 mm	125 mm	VME-11704248	178.33
	11107746	1001-10000	P-UB-10	70 mm	110 mm	VME-11716047	154.37
	11107746	1001-10000	P-UB-10	70 mm	110 mm	VME-11716047-EX	200.62
	11107746	1001-10000	Bushing	70 mm		VME-11088054	4.46
	11107746	1001-10000	Wear Ring		110 mm	VME-11107528	6.29
	11156699	1001-10000	I-UB-10	32 mm	50 mm	VME-11709821	138.35
	11156701	1001-10000	I-UB-10	32 mm	50 mm	VME-11709821	138.35
	11157999	1001-10000	P-U-15	40 mm	80 mm	VME-11704253	100.50
	11417176	1001-10000	P-U-15	60 mm	125 mm	VME-11704247	207.88
	15155930	1001-10000	P-U-15	40 mm	80 mm	VME-11704253	100.50
LIFT	11107772	1001-10000	P-UB-10	120 mm	230 mm	VME-15154575	717.90
	11107883	1001-10000	P-UB-10	110 mm	200 mm	VME-15010254	575.07
TILT	11107931	1001-10000	P-UB-10	120 mm	260 mm	VME-15011881	993.46
MODEL L480B							
STEERING	12584868	830BC00301-	P-UB-10	2-3/4	6	VME-2542568	395.53

LR - Long Reach SLF - Super Long Front QF - Quick Fit FS - Front Shovel MH - Material Handle AS - Articulate Slope

VOLVO

Replacement Kits For

Loaders - Wheel							
APPLICATION	CYL #	SERIAL #	CODE	ROD	BORE	KIT #	List \$
MODEL L480T							
STEERING	2541333	829A201-	P-UB-10	2-3/4	6	VME-2542568	395.53
Motor Graders							
APPLICATION	CYL #	SERIAL #	CODE	ROD	BORE	KIT #	List \$
MODEL 710-740A							
CIRCLE SHIFT	89013	24736-;24483;24598;24599;24619;24620	I-U-5	2	4	VME-12724303	146.78
MODEL 750A, 780A							
CIRCLE TURN	89011	24736-;24483;24598;24599;24619;24620	I-U-5	1-3/8	3	VME-12724304	144.54
MODEL G930							
ARTICULATION	12744475	39300-99999;501000-	I-U-5	2	4-1/2	VME-12743310	130.26
Scrapers							
APPLICATION	CYL #	SERIAL #	CODE	ROD	BORE	KIT #	List \$
MODEL T450D							
STEERING	11296028	17001-99999	I-UB-10	70 mm	120 mm	VME-11712388	181.50
Wheel Dozers							
APPLICATION	CYL #	SERIAL #	CODE	ROD	BORE	KIT #	List \$
MODEL 180							
PITCH	1503598	2892-2942;2LC52-;2LG101-	P-V-10	2-3/4	6	VME-2516065	153.23
TILT	1503598	1896;1898-1902;2823-2891;1823-1895;1897;1903;1904	P-V-10	2-3/4	6	VME-2516065	153.23
	1503986	2892-2942;2LC52-;2LG101-	P-V-10	1-3/4	3-1/2	VME-2516071	109.71
MODEL 180-III							
LIFT	1503608	5LC101-;6LG101-;4035B101FSC-	P-U-10	2	5	VME-2516059	128.44
PITCH	1503598	5LC101-;6LG101-;4035B101FSC-	P-V-10	2-3/4	6	VME-2516065	153.23
STEERING	1503987	5LC101-;6LG101-;4035B101FSC-	P-V-10	1-3/4	3-1/2	VME-2516071	109.71
TILT	1503986	5LC101-;6LG101-;4035B101FSC-	P-V-10	1-3/4	3-1/2	VME-2516071	109.71
MODEL 280							
LIFT	1503604	32123-32999;1MC156-3MC999;1MG1-3MG999	P-V-10	2-3/4	6	VME-2516065	153.23
PITCH	1503607	32123-32999;1MC156-3MC999;1MG1-3MG999	P-V-10	2-3/4	6	VME-2516065	153.23
MODEL 280B							
LIFT	2522607	498A;499A	P-U-10	2-3/4	6	VME-2538182	148.72
	962698	498A;499A	P-UB-10	2-3/4	6	VME-2542568	395.53
PITCH	964665	498A;499A	P-UB-10	2	4-1/2	VME-2551398	130.41
STEERING	2528419	498A;499A	P-U-10	2-1/4	5-1/4	VME-2538181	121.05
	964663	498A;499A	P-UB-10	2-1/4	5-1/4	VME-2551399	188.96
TILT	2522880	498A;499A	P-U-10	2-1/4	5-1/4	VME-2538181	121.05
	964662	498A;499A	P-UB-10	2-1/4	5-1/4	VME-2551399	188.96
MODEL 280C							
LIFT	12565916	819A	P-U-10	2-3/4	6	VME-2538182	148.72
	2522607	819A	P-U-10	2-3/4	6	VME-2538182	148.72
	962698	819A	P-UB-10	2-3/4	6	VME-2542568	395.53
PITCH	964665	819A	P-UB-10	2	4-1/2	VME-2551398	130.41
STEERING	2528419	819A	P-U-10	2-1/4	5-1/4	VME-2538181	121.05
	964663	819A	P-UB-10	2-1/4	5-1/4	VME-2551399	188.96
TILT	2522880	819A	P-U-10	2-1/4	5-1/4	VME-2538181	121.05
	964662	819A	P-UB-10	2-1/4	5-1/4	VME-2551399	188.96
MODEL 280-III							
LIFT	1503604	4MC102-6MC999;4MG101-8MG999	P-V-10	2-3/4	6	VME-2516065	153.23
PITCH	1503607	4MC102-6MC999;4MG101-8MG999	P-V-10	2-3/4	6	VME-2516065	153.23
MODEL 280-III A							
LIFT	1503604	8AMC192-;9AMG425-;4047B101FSC;456B101-999;456C101-145C;460D101C-130C	P-V-10	2-3/4	6	VME-2516065	153.23
	1503605	8AMC101-8AMC192;9AMG125-9AMG424	P-U-10	2-1/4	5-1/2	VME-2516094	121.14
	2522607	456C146C-;460D131C-	P-U-10	2-3/4	6	VME-2538182	148.72
PITCH	964665	460D131C-	P-UB-10	2	4-1/2	VME-2551398	130.41

LR - Long Reach SLF - Super Long Front QF - Quick Fit FS - Front Shovel MH - Material Handle AS - Articulate Slope

FORMERLY LISTED REPAIR PARTS ARE AVAILABLE ONLINE AT WWW.HERCULESUS.COM
OR BY CONTACTING YOUR REGIONAL HERCULES SALES TEAM.

VOLVO

Replacement Kits For

Wheel Dozers							
APPLICATION	CYL #	SERIAL #	CODE	ROD	BORE	KIT #	List \$
MODEL 280-IIIA							
STEERING	1503241	8AMC101-8AMC217;9AMG125-9AMG469	P-U-10	2-1/4	5-1/2	VME-2516094	121.14
	1503606	456B101-999;456C101-145C	P-U-10	2-1/4	5-1/2	VME-2516094	121.14
	1515236	3AMC218-;9AMG470-;4047B101FSC-;456B101-999;456C101C-145C;460D101-130C	P-U-10	2-1/4	5-1/2	VME-2516094	121.14
	2522880	456C146C-	P-U-10	2-1/4	5-1/4	VME-2538181	121.05
	2522932	456C146C-;460D131C-	P-U-10	2-1/4	5-1/4	VME-2538181	121.05
	964584	456C146C-	P-UB-10	2-1/4	5-1/4	VME-2551399	188.96
TILT	1503606	8AMC101-9AMC999;9AMG122;9AMG124-;4047B101FSC-;460D101-130C	P-U-10	2-1/4	5-1/2	VME-2516094	121.14
	2522880	460D131C-	P-U-10	2-1/4	5-1/4	VME-2538181	121.05
	964662	460D131C-	P-UB-10	2-1/4	5-1/4	VME-2551399	188.96
MODEL 380B							
LIFT	12568715	813A;813B;813BC	P-UB-10	2-3/4	6	VME-2542568	395.53
	12572636	813A;813B;813BC	P-UB-10	2-3/4	6	VME-2542568	395.53
	1510225	418F101K-114K;484B101K-108K;434C101K-104K	P-V-10	2-3/4	6	VME-2516065	153.23
	2522115	418F115K-;484B109K-;434C105K-;484C101C-136C	P-U-10	2-3/4	6	VME-2538182	148.72
	2522115	808A101C-110C;810A101C-999C;434D101C-999C	P-U-10	2-3/4	6	VME-2538182	148.72
	2552344	418F;484B;434C;813A;813B;813BC	P-U-10	2-3/4	6	VME-2538182	148.72
	2556914	813A;813B;813BC	P-UB-10	2-3/4	6	VME-2542568	395.53
	962697	484C101C-136C;808A101C-110C;810A101C-999C;434D101C-999C	P-UB-10	2-3/4	6	VME-2542568	395.53
	964787	484C137C-999C;808A111C-999C;808A101CAC-;484C101CAC-;810A101CAC-	P-UB-10	2-3/4	6	VME-2542568	395.53
PITCH	1505457	418F101K-114K;484B101K-108K;434C101K-104K	P-U-10	2-1/4	5-1/2	VME-2516094	121.14
	2522411	418F115K-;484B109K-;434C105K-;484C;808A;434D;810A;813A;813B;813BC	P-U-10	2-1/4	5-1/4	VME-2538181	121.05
	2556971	813A;813B;813BC	P-UB-10	2-1/4	5-1/4	VME-2551399	188.96
	964583	418F115K-;484B109K-;434C105K-;484C;808A;434D;810A;813A;813B;813BC	P-UB-10	2-1/4	5-1/4	VME-2551399	188.96
STEERING	2522598	418F115K-;484B109K-;434C105K-;484C;808A;434D;810A;813A;813B;813BC	P-UB-10	3-1/2	8	VME-2538186	307.41
TILT	2522120	418F115K-;484B109K-;434C105K-;484C;808A;434D;810A;813A;813B;813BC	P-U-10	2-3/4	6	VME-2538182	148.72
	964577	418F115K-;484B109K-;434C105K-;484C;808A;434D;810A;813A;813B;813BC	P-UB-10	2-3/4	6	VME-2542568	395.53
MODEL 380-III							
LIFT	1503610	5RG101-	P-U-10	2-3/4	7	VME-2516148	185.09
TILT	1503603	5RG101-	P-V-10	2-3/4	6	VME-2516065	153.23
MODEL 380-IIIA							
LIFT	1510225	418A406-;418D;484A;434A	P-V-10	2-3/4	6	VME-2516065	153.23
	1531615	418A101-418A405;434A	P-V-10	2-3/4	6	VME-2516065	153.23
PITCH	1505457	418A101-999;418D;484A;434A	P-U-10	2-1/4	5-1/2	VME-2516094	121.14
MODEL W380							
TILT	2561629		P-UB-10	2-3/4	6	VME-2542568	395.53

LR - Long Reach

SLF - Super Long Front

QF - Quick Fit

FS - Front Shovel

MH - Material Handle

AS - Articulate Slope

REPLACEMENT KITS FOR VOLVO EQUIPMENT

Kit Number	Code (Pg. xiv)	Rod X Bore Size	List Price
VME-11000107	P-U-15	60 X 125 mm	\$256.09
VME-11370055	I-UB-10	50 X 100 mm	257.09
VME-11370750	P-U-10	65 X 125 mm	217.99
VME-11370773	P-U-10	50 X 110 mm	205.41
VME-11370826	P-U-10	50 X 100 mm	255.21
VME-11700151	P-U-15	70 X 120 mm	148.13
VME-11700151-EX	P-U-15	70 X 120 mm	154.07
VME-11700176	P-UB-13	90 X 160 mm	682.69
VME-11700187	P-U-15	80 X 150 mm	178.12
VME-11701531	P-UB-14	120 X 250 mm	1130.76
VME-11701531-EX	P-UB-14	120 X 250 mm	1217.30
VME-11701665-9	P-U-15	70 X 110 mm	106.59
VME-11702311	P-U-10	32 X 70 mm	147.29
VME-11702744	P-UB-10	105 X 150 mm	677.76
VME-11702757	P-UB-10	125 X 170 mm	992.09
VME-11703474	P-UB-10	100 X 150 mm	733.56
VME-11703689	P-U-10	50 X 100 mm	130.86
VME-11703689-EX	P-U-10	50 X 100 mm	142.56
VME-11703860	P-UB-14	120 X 260 mm	1078.58
VME-11703860-EX	P-UB-14	120 X 260 mm	1208.38
VME-11704247	P-U-15	60 X 125 mm	207.88
VME-11704248	P-U-15	60 X 125 mm	178.33
VME-11704249	P-U-15	60 X 110 mm	193.99
VME-11704250	P-U-15	70 X 140 mm	238.69
VME-11704251	P-U-15	50 X 100 mm	90.61
VME-11704252	P-U-15	50 X 110 mm	136.34
VME-11704253	P-U-15	40 X 80 mm	100.50
VME-11704254	P-U-15	32 X 63 mm	88.62
VME-11704689	P-U-15	80 X 150 mm	278.08
VME-11705087	P-U-10	16 X 32 mm	202.36
VME-11705087-EX	P-U-10	16 X 32 mm	206.71
VME-11705101	O-rings		10.14
VME-11705109	O-rings		11.51
VME-11705814	P-UB-10	95 X 140 mm	656.35
VME-11705815	P-UB-10	105 X 150 mm	714.24
VME-11705818	P-UB-10	110 X 160 mm	846.19
VME-11705882	P-UB-10	90 X 190 mm	338.82
VME-11705882-EX	P-UB-10	90 X 190 mm	399.75
VME-11707023	P-UB-10	70 X 130 mm	299.15
VME-11707023-EX	P-UB-10	70 X 130 mm	322.84
VME-11707024	P-UB-10	80 X 180 mm	403.81
VME-11707024-EX	P-UB-10	80 X 180 mm	485.54
VME-11707025	P-UB-10	90 X 170 mm	438.39
VME-11707025-EX	P-UB-10	90 X 170 mm	474.30
VME-11707026	P-UB-10	90 X 190 mm	469.08
VME-11707026-EX	P-UB-10	90 X 190 mm	503.52

Kit Number	Code (Pg. xiv)	Rod X Bore Size	List Price
VME-11707027	P-UB-10	120 X 260 mm	\$954.48
VME-11707027-EX	P-UB-10	120 X 260 mm	1086.92
VME-11707028	P-UB-10	90 X 190 mm	658.83
VME-11707028-EX	P-UB-10	90 X 190 mm	751.96
VME-11707029	P-UB-10	110 X 230 mm	796.71
VME-11707029-EX	P-UB-10	110 X 230 mm	961.83
VME-11707030	P-UB-10	120 X 250 mm	879.18
VME-11707030-EX	P-UB-10	120 X 250 mm	971.12
VME-11707031	P-UB-10	120 X 260 mm	992.30
VME-11707031-EX	P-UB-10	120 X 260 mm	1084.57
VME-11707447	P-UB-10	90 X 170 mm	876.07
VME-11707447-EX	P-UB-10	90 X 170 mm	947.59
VME-11707450	P-UB-10	120 X 230 mm	769.98
VME-11707450-EX	P-UB-10	120 X 230 mm	888.30
VME-11707451	P-UB-10	120 X 250 mm	869.68
VME-11707451-EX	P-UB-10	120 X 250 mm	961.79
VME-11707902	P-UB-15	70 X 125 mm	238.06
VME-11707903	P-UB-14	90 X 190 mm	668.16
VME-11707903-EX	P-UB-14	90 X 190 mm	746.89
VME-11707904	P-UB-14	120 X 230 mm	1079.75
VME-11707904-EX	P-UB-14	120 X 230 mm	1535.00
VME-11707905	P-UB-10	110 X 200 mm	1262.20
VME-11708734	P-UB-10	90 X 150 mm	153.30
VME-11708734-EX	P-UB-10	90 X 150 mm	271.10
VME-11708825	P-UB-10	80 X 150 mm	213.30
VME-11708825-EX	P-UB-10	80 X 150 mm	280.95
VME-11708833	P-UB-10	110 X 220 mm	436.94
VME-11708833-EX	P-UB-10	110 X 220 mm	602.89
VME-11709018	P-UB-10	90 X 160 mm	294.91
VME-11709018-EX	P-UB-10	90 X 160 mm	336.72
VME-11709019	P-UB-10	90 X 180 mm	316.98
VME-11709019-EX	P-UB-10	90 X 180 mm	362.11
VME-11709025	P-UB-10	120 X 250 mm	685.73
VME-11709025-EX	P-UB-10	120 X 250 mm	815.85
VME-11709026	P-UB-10	110 X 230 mm	450.79
VME-11709026-EX	P-UB-10	110 X 230 mm	592.33
VME-11709028	P-UB-15	50 X 100 mm	132.36
VME-11709028-EX	P-UB-15	50 X 100 mm	136.14
VME-11709029	P-UB-15	50 X 90 mm	120.88
VME-11709029-EX	P-UB-15	50 X 90 mm	124.89
VME-11709111	P-U-10	16 X 32 mm	103.85
VME-11709226	P-UB-10	90 X 170 mm	528.13
VME-11709249	P-U-10	60 X 100 mm	106.00
VME-11709249-EX	P-U-10	60 X 100 mm	122.56
VME-11709384	P-UB-10	90 X 160 mm	293.76
VME-11709384-EX	P-UB-10	90 X 160 mm	380.68

VOLVO

REPLACEMENT KITS FOR VOLVO EQUIPMENT

VOLVO

Kit Number	Code (Pg. xiv)	Rod X Bore Size	List Price
VME-11709528	I-UB-10	65 X 120 mm	\$ 187.50
VME-11709538	I-UB-10	40 X 70 mm	87.22
VME-11709543	I-UB-10	60 X 120 mm	182.81
VME-11709547	I-UB-10	60 X 90 mm	158.10
VME-11709617	I-UB-10	50 X 85 mm	181.47
VME-11709624	I-UB-10	60 X 110 mm	132.59
VME-11709632	I-UB-10	50 X 70 mm	76.72
VME-11709677	I-UB-10	50 X 95 mm	172.48
VME-11709817	P-UB-15	50 X 80 mm	126.74
VME-11709817-EX	P-UB-15	50 X 80 mm	130.62
VME-11709821	I-UB-10	32 X 50 mm	138.35
VME-11709829	P-UB-10	70 X 120 mm	250.36
VME-11709829-EX	P-UB-10	70 X 120 mm	276.91
VME-11709832	P-UB-10	90 X 180 mm	637.61
VME-11709832-EX	P-UB-10	90 X 180 mm	686.93
VME-11709868	P-UB-10	80 X 150 mm	353.65
VME-11709872	P-UB-15	45 X 70 mm	135.71
VME-11709872-EX	P-UB-15	45 X 70 mm	137.88
VME-11709898	I-U-10	38 X 63 mm	102.61
VME-11709913	P-U-10	40 X 70 mm	190.67
VME-11709965	P-UB-10	90 X 160 mm	615.16
VME-11709965-EX	P-UB-10	90 X 160 mm	660.44
VME-11709998	P-UB-10	70 X 110 mm	265.70
VME-11709998-EX	P-UB-10	70 X 110 mm	285.16
VME-11710606	I-O-10	16 X 40 mm	30.37
VME-11710948	I-UB-10	50 X 95 mm	121.31
VME-11711451	I-U-10	1-1/2 X 3	46.15
VME-11711929	I-U-10	1-5/8 X 2-3/4	44.24
VME-11711945	P-U-10	90 X 150 mm	245.04
VME-11711945-EX	P-U-10	90 X 150 mm	344.72
VME-11712156	P-UB-10	120 X 230 mm	982.02
VME-11712387	I-UB-10	60 X 100 mm	131.10
VME-11712388	I-UB-10	70 X 120 mm	181.50
VME-11712450	I-UB-10	55 X 85 mm	188.07
VME-11712455	I-UB-10	65 X 115 mm	147.18
VME-11712523	I-U-10	36 X 63 mm	124.43
VME-11712746	I-UB-10	50 X 80 mm	136.28
VME-11712749	I-UB-10	60 X 105 mm	132.59
VME-11714561	P-UB-10	60 X 100 mm	182.28
VME-11714561-EX	P-UB-10	60 X 100 mm	191.85
VME-11715295	I-UB-10	55 X 95 mm	169.80
VME-11715864	P-UB-10	70 X 120 mm	227.69
VME-11715864-EX	P-UB-10	70 X 120 mm	253.01
VME-11715865	P-UB-10	70 X 125 mm	234.95
VME-11715865-EX	P-UB-10	70 X 125 mm	275.52
VME-11716047	P-UB-10	70 X 110 mm	154.37

Kit Number	Code (Pg. xiv)	Rod X Bore Size	List Price
VME-11716047-EX	P-UB-10	70 X 110 mm	\$200.62
VME-11716625	I-U-10	36 X 65 mm	110.18
VME-11716720	I-U-10	38 X 63 mm	62.49
VME-11988179	P-U-10	35 X 60 mm	78.50
VME-11988180	P-U-10	35 X 60 mm	121.12
VME-11988181	P-U-10	35 X 63 mm	83.48
VME-11988183	P-U-10	35 X 63 mm	130.93
VME-11988184	P-U-10	40 X 70 mm	94.38
VME-11988209	P-U-10,13	80 X 125 mm	368.92
VME-11988209-EX	P-U-10,13	80 X 125 mm	398.35
VME-11988358	P-U-10	45 X 70 mm	135.93
VME-11988359	P-U-10	45 X 70 mm	72.27
VME-11988360	P-U-10	50 X 90 mm	86.38
VME-11988361	P-U-10	45 X 80 mm	88.12
VME-11988963	P-U-10	50 X 80 mm	119.74
VME-11988983	P-U-10	50 X 90 mm	124.72
VME-11990026	P-U-15	60 X 120 mm	213.07
VME-11990027	P-U-15	70 X 125 mm	184.99
VME-11990028	P-UB-15	60 X 110 mm	132.40
VME-11990029	P-U-15	70 X 140 mm	300.43
VME-11990050	P-U-15	50 X 80 mm	107.00
VME-11990060	P-U-1	20 mm Rod Kit	88.49
VME-11990070	P-U-15	70 X 110 mm	144.97
VME-11990106	P-U-15	40 X 80 mm	134.36
VME-11990106-4	P-U-15	40 X 80 mm	134.36
VME-11990158	P-U-15	80 X 160 mm	329.96
VME-11990170-0	P-U-15	80 X 140 mm	382.43
VME-11990175	P-U-1	25 mm Rod Kit	133.26
VME-11990180	P-U-15	50 X 100 mm	127.28
VME-11990181	P-U-15	60 X 100 mm	105.76
VME-11990243	P-U-15	45 X 80 mm	66.79
VME-11990243-5	P-U-15	45 X 80 mm	66.79
VME-11990244	P-U-15	50 X 90 mm	116.49
VME-11990244-3	P-U-15	50 X 90 mm	116.49
VME-11990347	P-U-15	50 X 90 mm	119.00
VME-11990347-EX	P-U-15	50 X 90 mm	123.07
VME-11990348	P-UB-14	120 X 250 mm	1139.98
VME-11990348-EX	P-UB-14	120 X 250 mm	1250.57
VME-11990349	P-UB-14	90 X 170 mm	769.64
VME-11990349-EX	P-UB-14	90 X 170 mm	843.44
VME-11990351-6	P-U-13	70 X 125 mm	375.94
VME-11990395	P-UB-14	120 X 260 mm	1214.56
VME-11990395-EX	P-UB-14	120 X 260 mm	1302.03
VME-11990396	P-UB-14	90 X 190 mm	635.09
VME-11990396-EX	P-UB-14	90 X 190 mm	669.52
VME-11990398	P-U-15	50 X 100 mm	110.35

REPLACEMENT KITS FOR VOLVO EQUIPMENT

Kit Number	Code (Pg. xiv)	Rod X Bore Size	List Price
VME-11990398-EX	P-U-15	50 X 100 mm	\$114.82
VME-11990404	P-U-15	70 X 140 mm	251.03
VME-11990405	P-UB-15	60 X 125 mm	159.83
VME-11990437	P-U-15	70 X 125 mm	265.38
VME-11990437-3	P-U-15	70 X 125 mm	265.38
VME-11990437-EX	P-U-15	70 X 125 mm	275.32
VME-11990438	P-U-15	60 X 90 mm	173.98
VME-11990438-1	P-U-15	60 X 90 mm	173.98
VME-11990438-EX	P-U-15	60 X 90 mm	179.11
VME-11990439	P-U-15	40 X 63 mm	127.84
VME-11990439-EX	P-U-15	40 X 63 mm	130.41
VME-11991589	75,120,140 mm Tele.		392.86
VME-11991589-0	75,120,140 mm Tele.		392.86
VME-11993103	75,120,140 mm Tele.		325.19
VME-11993103-8	75,120,140 mm Tele.		330.83
VME-11993411	75,90,105,120,140 mm Tele.		578.78
VME-11993411-5	75,90,105,120,140 mm Tele.		578.78
VME-11997089-5	P-U-14	105 X 160 mm	1168.23
VME-11997091-1	P-UB-14	90 X 140 mm	930.34
VME-11997225	P-U-15	80 X 125 mm	549.62
VME-11997226	P-U-14	105 X 150 mm	808.61
VME-11997227	P-U-14	50 X 70 mm	331.16
VME-11998574	P-U-13	70 X 140 mm	477.37
VME-11998574-EX	P-U-13	70 X 140 mm	498.57
VME-11998575	P-U-13	100 X 140	548.24
VME-11998575-EX	P-U-13	100 X 140	591.63
VME-11998809	P-UB-14	80 X 150 mm	507.12
VME-11998809-EX	P-UB-14	80 X 150 mm	495.65
VME-11998810	P-UB-13	70 X 100 mm	383.07
VME-11998810-EX	P-UB-13	70 X 100 mm	392.92
VME-11999362	P-U-15	25 X 45 mm	120.66
VME-11999887	P-UB-10	32 X 70 mm	192.75
VME-11999892	P-UB-14	110 X 230 mm	766.99
VME-11999892-EX	P-UB-14	110 X 230 mm	934.22
VME-11999893	P-UB-14	90 X 190 mm	834.05
VME-11999893-EX	P-UB-14	90 X 190 mm	909.22
VME-11999894	P-UB-14	80 X 160 mm	504.51
VME-11999894-EX	P-UB-14	80 X 160 mm	584.07
VME-11999895	P-UB-14	70 X 130 mm	357.83
VME-11999895-EX	P-UB-14	70 X 130 mm	387.69
VME-11999906	P-UB-15	50 X 80 mm	123.06
VME-11999906-EX	P-UB-15	50 X 80 mm	127.01
VME-11999907	P-U-15	40 X 70 mm	88.34
VME-11999907-EX	P-U-15	40 X 70 mm	91.74
VME-12619709	I-UB-10	4,7 X 6,8	1150.10
VME-12724303	I-U-5	2 X 4	146.78

Kit Number	Code (Pg. xiv)	Rod X Bore Size	List Price
VME-12724304	I-U-5	1-3/8 X 3	\$144.54
VME-12724306	I-U-5	2 X 3-1/2	105.93
VME-12743310	I-U-5	2 X 4-1/2	130.26
VME-12969637	Valve Kit		48.34
VME-14510588	P-UB-14	80 X 160 mm	333.91
VME-14510910	P-U-10	25 X 50 mm	138.48
VME-14510911	P-U-10	32 X 70 mm	143.98
VME-14510912	P-U-10	32 X 90 mm	162.00
VME-14512948	P-UB-10	105 X 160 mm	649.82
VME-14512950	P-UB-10	115 X 175 mm	1127.76
VME-14512955	P-UB-10	105 X 160 mm	473.71
VME-14512961	P-UB-10	100 X 145 mm	513.84
VME-14512968	P-UB-10	105 X 150 mm	360.91
VME-14513714	P-UB-10	95 X 140 mm	620.65
VME-14513715	P-UB-10	105 X 150 mm	661.03
VME-14513726	P-UB-10	110 X 165 mm	769.81
VME-14513727	P-UB-10	130 X 190 mm	727.04
VME-14514454	P-UB-10	90 X 130 mm	440.87
VME-14514455	P-UB-10	90 X 135 mm	637.37
VME-14514456	P-UB-10	105 X 160 mm	650.15
VME-14514457	P-UB-10	100 X 140 mm	593.57
VME-14515051	P-UB-10	80 X 125 mm	379.11
VME-14515052	P-UB-10	95 X 135 mm	415.75
VME-14515053	P-UB-10	80 X 120 mm	386.01
VME-14516932	P-UB-10	70 X 105 mm	282.28
VME-14516933	P-UB-10	70 X 110 mm	367.80
VME-14516934	P-UB-10	90 X 160 mm	375.57
VME-14517001	P-UB-10	90 X 130 mm	288.14
VME-14519359	P-UB-10	110 X 170 mm	493.28
VME-14519503	P-UB-10	75 X 115 mm	304.40
VME-14519504	P-UB-10	75 X 105 mm	370.02
VME-14519505	P-UB-10	80 X 120 mm	432.44
VME-14519624	P-UB-10	95 X 140 mm	373.46
VME-14520420	P-UB-14	60 X 105 mm	261.88
VME-14522992	P-U-10	32 X 90 mm	151.09
VME-14523116	P-U-10	25 X 50 mm	112.31
VME-14523132	P-U-10	32 X 70 mm	174.68
VME-14524766	P-UB-10	55 X 100 mm	152.23
VME-14524767	P-UB-10	55 X 85 mm	175.65
VME-14524768	P-UB-10	50 X 75 mm	162.97
VME-14524769	P-UB-10	45 X 85 mm	171.50
VME-14530716	P-UB-10	60 X 90 mm	307.77
VME-14530717	P-UB-10	95 X 130 mm	273.59
VME-14530718	P-UB-10	55 X 100 mm	221.99
VME-14530719	P-UB-10	55 X 80 mm	308.02
VME-14530833	P-UB-10	70 X 105 mm	266.00

VOLVO

REPLACEMENT KITS FOR VOLVO EQUIPMENT

VOLVO

Kit Number	Code (Pg. xiv)	Rod X Bore Size	List Price
VME-14534271	P-UB-14	95 X 190 mm	\$720.62
VME-14541717	P-UB-10	95 X 140 mm	624.29
VME-14547310	P-UB-10	70 X 100 mm	346.38
VME-14551098	P-UB-10	70 X 100 mm	210.91
VME-14553242	P-UB-10	75 X 105 mm	307.39
VME-14573751	P-UB-10	110 X 165 mm	831.81
VME-14589123	P-UB-10	90 X 160 mm	292.58
VME-14589124	P-UB-10	80 X 120 mm	432.44
VME-14589125	P-UB-10	70 X 100 mm	210.91
VME-14589126	P-UB-10	95 X 140 mm	259.61
VME-14589127	P-UB-10	75 X 115 mm	226.12
VME-14589128	P-UB-10	75 X 105 mm	168.90
VME-14589129	P-UB-10	80 X 125 mm	465.19
VME-14589130	P-UB-10	105 X 160 mm	364.25
VME-14589131	P-UB-10	95 X 135 mm	502.50
VME-14589132	P-UB-10	80 X 120 mm	327.32
VME-14589133	P-UB-10	90 X 130 mm	573.68
VME-14589134	P-UB-10	90 X 135 mm	587.96
VME-14589135	P-UB-10	100 X 140 mm	420.33
VME-14589136	P-UB-10	95 X 140 mm	430.20
VME-14589137	P-UB-10	110 X 170 mm	453.40
VME-14589138	P-UB-10	105 X 150 mm	530.88
VME-14589139	P-UB-10	105 X 160 mm	595.91
VME-14589140	P-UB-10	115 X 175 mm	876.69
VME-14589141	P-UB-10	100 X 145 mm	489.48
VME-14589142	P-UB-10	105 X 160 mm	549.01
VME-14589143	P-UB-10	110 X 165 mm	584.15
VME-14589144	P-UB-10	130 X 190 mm	715.83
VME-14589145	P-UB-10	110 X 165 mm	778.13
VME-14589146	P-UB-14	80 X 160 mm	397.21
VME-14589148	P-UB-10	60 X 110 mm	213.77
VME-14589150	P-UB-14	50 X 80 mm	270.21
VME-14589153	P-UB-14	55 X 90 mm	255.43
VME-14589154	P-UB-14	60 X 105 mm	350.61
VME-14589159	P-UB-10	105 X 150 mm	360.91
VME-14589164	P-UB-10	50 X 75 mm	162.97
VME-14589199	P-UB-14	95 X 140 mm	181.92
VME-14597349	P-U-10	35 X 65 mm	121.11
VME-14599293	P-UB-14	130 X 200 mm	1264.58
VME-14610398	P-UB-10	95 mm X 160 mm	218.87
VME-14612137	P-UB-14	125 X 190 mm	1176.58
VME-14612138	P-UB-14	150 X 215 mm	1604.35
VME-14612139	P-UB-14	130 X 190 mm	1343.01
VME-14612140	P-UB-14	140 X 200 mm	1275.98
VME-14618212	P-UB-10	125 X 190 mm	1106.90
VME-14618213	P-UB-10	150 X 215 mm	1443.72

Kit Number	Code (Pg. xiv)	Rod X Bore Size	List Price
VME-14618214	P-UB-10	130 X 190 mm	\$840.44
VME-14618215	P-UB-10	140 X 200 mm	844.72
VME-14632918	P-UB-10	85 mm X 120 mm	234.59
VME-14660989	P-UB-10	100 mm X 145 mm	389.18
VME-14665637	P-UB-10	105 mm X 160 mm	405.22
VME-14700703	P-UB-10	115 X 175 mm	487.25
VME-14683841	P-UB-10	85 mm X 125 mm	319.21
VME-15010254	P-UB-10	110 X 200 mm	575.07
VME-15011881	P-UB-10	120 X 260 mm	993.46
VME-15012903	P-UB-15	70 X 125 mm	290.07
VME-15012903-EX	P-UB-15	70 X 125 mm	299.48
VME-15078352	P-U-10	50 X 90 mm	64.64
VME-15016598	P-U-10	50 X 90 mm	117.74
VME-15016631	P-U-10	45 X 80 mm	61.40
VME-15016641	P-U-10	45 X 70 mm	57.61
VME-15016786	P-U-10	60 X 100 mm	86.82
VME-15174600	P-U-10	50 X 80 mm	98.81
VME-15153996	P-UB-10	90 X 150 mm	291.12
VME-15154575	P-UB-10	120 X 230 mm	717.90
VME-15162235	P-UB-10	70 X 110	238.92
VME-15162237	P-UB-10	90 X 160	399.55
VME-15173282	P-UB-10	65 X 120 mm	284.33
VME-15174598	P-U-10	40 X 63 mm	96.53
VME-15238850	P-UB-10	50 X 75	240.23
VME-1701665-9	P-U-15	70 X 110 mm	106.59
VME-17200208	P-U-15	40 X 80 mm	100.50
VME-17207945	P-UB-10	90 X 115 mm	411.63
VME-17207945	P-UB-10	90 X 115 mm	411.63
VME-17238353	P-UB-10	120 X 250 mm	806.94
VME-17238406	P-UB-10	90 X 190 mm	387.25
VME-17238415	P-UB-10	120 X 240 mm	574.67
VME-17238417	P-UB-10	90 X 180 mm	259.46
VME-17253413	P-UB-10	80 X 150	414.85
VME-17253420	P-UB-10	110 X 210	529.97
VME-17253746	P-UB-10	70 X 120	276.82
VME-17253752	P-UB-10	110 X 140 mm	428.36
VME-17253805	P-UB-10	70 X 140 mm	281.71
VME-17253817	P-UB-10	110 X 220 mm	436.94
VME-17253817-EX	P-UB-10	110 X 220 mm	602.89
VME-17254012	P-UB-10	60 X 100 mm	133.03
VME-17254063	P-UB-15	50 X 80	125.86
VME-17264520	P-UB-10	90 X 160 mm	236.78
VME-17264860	P-UB-10	110 X 220 mm	456.84
VME-17265005	P-UB-10	110 X 190 mm	505.06
VME-17265044	P-UB-10	120 X 220 mm	729.71
VME-17409412	P-UB-10	80 X 150	128.85

REPLACEMENT KITS FOR VOLVO EQUIPMENT

Kit Number	Code (Pg. xiv)	Rod X Bore Size	List Price
VME-17469493	I-UB-10	45 mm X 80 mm	\$163.43
VME-17474894	I-UB-10	50 mm X 85 mm	205.87
VME-17506987	I-UB-10	50 mm X 115 mm	155.79
VME-17517240	I-UB-10	50 mm X 90 mm	118.43
VME-17520935	I-U-10	50 mm X 115 mm	112.47
VME-1990351-6	P-U-13	70 X 125 mm	375.94
VME-1991086	P-U-10	1-3/4 X 3-1/2	82.65
VME-1991089	P-TR-10	2-3/4 X 6	186.26
VME-2516054	P-V-10	2-1/4 X 4-1/4	88.00
VME-2516055	I-U-10	1 X 2-1/2	45.86
VME-2516058	P-U-10	2-1/4 X 5	100.34
VME-2516059	P-U-10	2 X 5	128.44
VME-2516060	I-U-10	2-1/4 X 5	88.22
VME-2516061	P-U-10	2-1/4 X 5	123.43
VME-2516065	P-V-10	2-3/4 X 6	153.23
VME-2516070	P-V-10	2-1/4 X 4-1/2	127.98
VME-2516071	P-V-10	1-3/4 X 3-1/2	109.71
VME-2516072	I-U-10	1-3/4 X 3-1/2	73.65
VME-2516073	P-U-10	2 X 3-1/2	91.87
VME-2516088	P-U-10	2 X 4	123.67
VME-2516090	P-U-10	2 X 4	82.82
VME-2516094	P-U-10	2-1/4 X 5-1/2	121.14
VME-2516148	P-U-10	2-3/4 X 7	185.09
VME-2516151	P-V-10	2 X 4-1/2	84.09
VME-2516152	P-V-10	2-1/4 X 4-1/2	107.41
VME-2516155	P-V-10	2-3/4 X 7	266.05
VME-2516156	I-U-10	2-1/4 X 5-1/4	99.46
VME-2516187	P-U-10	3-1/2 X 8	206.24
VME-2516228	I-U-10	3-1/2 X 9	236.51
VME-2516230	P-V-10	4-1/2 X 9	299.24
VME-2516242	P-V-10	3-1/2 X 9	270.11
VME-2516270	P-U-10	1-3/4 X 3-1/2	104.06
VME-2516271	P-V-10	2 X 4-1/2	97.89
VME-2516272	I-U-10	1-1/4 X 2-1/2	83.84
VME-2516274	P-V-10	2-1/4 X 5-1/4	99.94
VME-2518493	P-V-10	2-3/4 X 6	168.90
VME-2518494	P-V-10	2-3/4 X 7	251.26
VME-2526058	P-U-10	2-3/4 X 7	175.90
VME-2530107	P-U-10	2 X 4	86.12
VME-2530108	P-U-10	2-1/4 X 5	102.75
VME-2538174	P-U-10	1-3/4 X 3-1/2	73.80
VME-2538177	P-U-10	1-3/4 X 3-1/2	108.93
VME-2538178	P-U-10	2 X 4-1/2	90.10
VME-2538179	P-U-10	2-1/4 X 4-1/2	96.40
VME-2538180	P-U-10	3-1/2 X 9	308.99
VME-2538181	P-U-10	2-1/4 X 5-1/4	121.05

Kit Number	Code (Pg. xiv)	Rod X Bore Size	List Price
VME-2538182	P-U-10	2-3/4 X 6	\$148.72
VME-2538183	P-U-10	2-3/4 X 7	156.76
VME-2538184	P-UB-10	2 X 3-1/2	131.89
VME-2538186	P-UB-10	3-1/2 X 8	307.41
VME-2538187	P-U-10	2-3/4 X 5	101.69
VME-2538193	P-U-10	4 X 9	329.05
VME-2541637	P-U-10	3 X 7	193.18
VME-2542568	P-UB-10	2-3/4 X 6	395.53
VME-2542569	P-UB-10	2-3/4 X 5	151.49
VME-2542570	P-UB-10	1-3/4 X 3-1/2	133.69
VME-2542571	P-UB-10	3 X 7	333.32
VME-2542574	P-UB-10	4 X 9	599.04
VME-2542576	P-UB-10	2-1/4 X 4-1/2	140.38
VME-2542577	P-UB-10	2-1/4 X 5	168.39
VME-2551396	P-UB-10	3-1/2 X 9	452.02
VME-2551397	P-UB-10	2-3/4 X 7	275.37
VME-2551398	P-UB-10	2 X 4-1/2	130.41
VME-2551399	P-UB-10	2-1/4 X 5-1/4	188.96
VME-2551403	P-UB-10	2 X 4	124.17
VME-2562115	P-UB-10	2-3/4 X 5	374.76
VME-2562116	P-UB-10	3-1/2 X 7-1/2	389.79
VME-2562117	P-UB-10	4-1/2 X 9	534.29
VME-26408	I-U-5	1-3/8 X 3	78.29
VME-26409	I-U-5	2 X 4	112.92
VME-2906622	P-U-10	32 X 70 mm	136.74
VME-2907070	P-U-10	50 X 85 mm	211.69
VME-2907081	P-U-10	45 X 80 mm	177.70
VME-2907091	P-U-10	55 X 100 mm	260.48
VME-2907389	P-U-10	63 X 125 mm	281.31
VME-2907415	P-U-10	50 X 110 mm	236.64
VME-2908477	I-U-10	50 X 90 mm	114.30
VME-5960049	P-U-15	35 X 60 mm	47.41
VME-5960050	P-U-15	35 X 63 mm	52.09
VME-5960051	P-U-15	40 X 63 mm	83.79
VME-5960100	P-U-10	45 X 70 mm	132.93
VME-5960101	P-U-10	50 X 80 mm	145.78
VME-5960102	P-U-10	35 X 63 mm	71.93
VME-5960103	P-U-10	40 X 60 mm	97.92
VME-5960104	P-U-10	40 X 70 mm	137.88
VME-5960105	P-U-10	35 X 60 mm	58.96
VME-5960121	P-U-10	45 X 70 mm	100.20
VME-5960122	P-U-10	50 X 90 mm	112.65
VME-5960123	P-U-10	45 X 80 mm	125.13
VME-5960124	P-U-10	50 X 90 mm	107.51
VME-6213407		70,105,120,140 mm Tele.	581.84
VME-6630100		75,90,105,120,140,160 mm Tele.	513.48

VOLVO

REPLACEMENT KITS FOR VOLVO EQUIPMENT

Kit Number	Code (Pg. xiv)	Rod X Bore Size	List Price
VME-6630443	P-U-15	70 X 100 mm	\$112.63
VME-6630443-7	P-U-15	70 X 100 mm	112.89
VME-6630475	P-U-1	20 mm Rod Kit	76.24
VME-6630498-1	P-U-15	70 X 140 mm	127.64
VME-6630510	P-U-15	80 X 170 mm	361.24
VME-6630511	P-U-15	50 X 110 mm	129.56
VME-6630513	P-U-15	50 X 100 mm	127.03
VME-6630560	P-U-15	40 X 80 mm	170.31
VME-6630560-8	P-U-15	40 X 80 mm	170.31
VME-6630562	P-U-15	50 X 100 mm	121.89
VME-6630564	P-U-15	50 X 100 mm	149.95
VME-6630564-0	P-U-15	50 X 100 mm	149.95
VME-6630574	P-U-15	36 X 75 mm	90.36
VME-6630637-4	P-U-15	60 X 110 mm	298.68
VME-6630650	P-U-15	70 X 140 mm	196.44
VME-6630661	P-U-15	32 X 63 mm	161.76
VME-6630662	P-U-15	40 X 80 mm	104.25
VME-6630749	P-U-15	28 X 63 mm	80.87
VME-6630839	60,75,90,105,120,140 mm Tele.		520.65
VME-6630839-6	60,75,90,105,120,140 mm Tele.		520.65
VME-6630843-8	P-U-15	60 X 100 mm	116.43
VME-6630852	75,90,105,120,140,160 mm Tele.		599.29

Kit Number	Code (Pg. xiv)	Rod X Bore Size	List Price
VME-6630852-9	75,90,105,120,140,160 mm Tele.		\$599.29
VME-6630858	P-U-15	50 X 90 mm	103.32
VME-6630886	P-U-15	25 X 40 mm	34.40
VME-6630909	P-U-15	36 X 70 mm	106.44
VME-6630938	P-U-15	70 X 140 mm	214.79
VME-7410836	P-UB-15	30 X 60 mm	28.75
VME-814810131	P-UB-14	100 X 140 mm	321.50
VME-814810151	P-UB-14	90 X 130 mm	383.97
VME-8148-14041	P-UB-14	60 X 105 mm	266.29
VME-8148-14051	P-UB-14	45 X 90 mm	221.09
VME-814816020	P-UB-14	105 X 160 mm	829.86
VME-814816030	P-UB-14	105 X 150 mm	661.84
VME-814816040	P-UB-14	115 X 170 mm	953.65
VME-814816130	P-UB-14	105 X 160 mm	829.86
VME-814816140	P-UB-14	115 X 170 mm	953.65
VME-814816150	P-UB-14	105 X 150 mm	675.11
VME-SK100237	P-UB-10	105 mm X 160 mm	149.23
VME-SK100238	P-UB-10	100 mm X 140 mm	203.26
VME-SK100239	P-UB-10	110 mm X 170 mm	349.13

VOLVO - WALTCO

REPLACEMENT PARTS FOR VOLVO EQUIPMENT

Repair parts for Volvo are available online at www.HerculesUS.com or by contacting the Hercules Sales Team at the information provided below.
Scan the QR code for quick access.



WABCO TRUCKS

Repair parts for Wabco Trucks are available online at www.HerculesUS.com or by contacting the Hercules Sales Team at the information provided below.

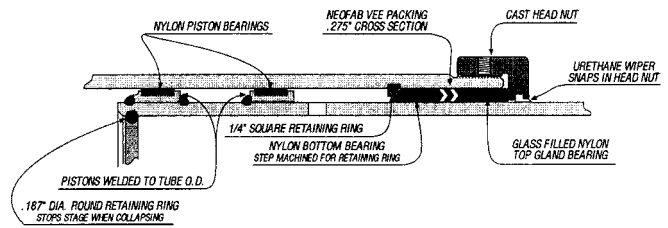
WALTCO LIFT GATE

Repair parts for Waltco Lift Gate are available online at www.HerculesUS.com or by contacting the Hercules Sales Team at the information provided below.

WARD TELESCOPIC CYLINDER PARTS

PACKING: Vee packing with top and bottom adapters. All .275 c.s.
WIPERS: Urethane snap-in type.
BEARINGS: Originally nylon, reinforced with metal. Outer bearing is flat on both sides. Inner bearing is step-cut on o.d. to pilot over snap ring.
PISTON: Steel, welded to stage. Double action has 3 replaceable nylon wear rings and 2 cast iron piston rings in separate grooves. Single action has 2 replaceable nylon wear rings.
STAGE O.D.'s: 3.950", 4.950", 5.950", 6.950", 7.950", 8.950"
SPECIAL INFO: 1/4" spring steel snap ring serves as internal stop. Gland collars are cast steel, have square reliefs in casting and "ears" on bottom of gland collar for set screw.

WARD CO



Part Number	Description	List Price
PACKING & WIPER		
WD-3VSW	2.950" I.D. Vee Set & Wiper	\$56.72
WD-4VSW	3.950" I.D. Vee Set & Wiper	50.59
WD-5VSW	4.950" I.D. Vee Set & Wiper	54.88
WD-6VSW	5.950" I.D. Vee Set & Wiper	69.38
WD-7VSW	6.950" I.D. Vee Set & Wiper	84.49
WD-8VSW	7.950" I.D. Vee Set & Wiper	101.58
WD-9VSW	8.950" I.D. Vee Set & Wiper	136.03
TOP BEARINGS		
WD-4NGTB	3.950" I.D. Top Bearing	\$84.69
WD-5NGTB	4.950" I.D. Top Bearing	95.87
WD-6NGTB	5.950" I.D. Top Bearing	100.29
WD-7NGTB	6.950" I.D. Top Bearing	138.65
WD-8NGTB	7.950" I.D. Top Bearing	173.57
WD-9NGTB	8.950" I.D. Top Bearing	175.93
BOTTOM BEARINGS		
WD-4NGBB	3.950" I.D. Bottom Bearing	\$84.69
WD-5NGBB	4.950" I.D. Bottom Bearing	95.87
WD-7NGBB	6.950" I.D. Bottom Bearing	138.65
WD-8NGBB	7.950" I.D. Bottom Bearing	173.57
PISTON WEAR RINGS		
WD310-737-40	4-1/2" O.D. Piston Wear Rings	\$6.85
WD310-737-50	5-1/2" O.D. Piston Wear Rings	6.85
WD310-764-60	6-1/2" O.D. Piston Wear Rings	8.97
WD310-764-70	7-1/2" O.D. Piston Wear Rings	14.58
WD310-764-80	8-1/2" O.D. Piston Wear Rings	15.41
WD310-764-90	9-1/2" O.D. Piston Wear Rings	18.31
PISTON RINGS - DOUBLE ACTION ONLY		
WD505-066-17	4-1/2" O.D. Piston Ring	\$17.42
WD505-066-24	5-1/2" O.D. Piston Ring	24.27
WD505-066-28	6-1/2" O.D. Piston Ring	28.07

Part Number	Description	List Price
WD505-066-35	7-1/2" O.D. Piston Ring	\$59.96
WD505-066-38	8-1/2" O.D. Piston Ring	66.86
WD505-066-40	9-1/2" O.D. Piston Ring	206.81
KITS		
WD-48	4" - 8" Vee Sets & Wipers	\$387.41
WD-49	4" - 9" Vee Sets & Wipers	536.43
WD-PR48	4-1/2" - 8-1/2" Piston Rings	420.86
WD-PR49	4-1/2" - 9-1/2" Piston Rings	645.45
WD-TNB48	4" - 8" Top Bearings	628.01
WD-TNB49	4" - 9" Top Bearings	814.57
WD-WR48	4-1/2" - 8-1/2" Piston Wear Rings	171.44
WD-WR49	4-1/2" - 9-1/2" Piston Wear Rings	229.56

WHITE LIFT TRUCK

Kit Number	Code (Pg. xiv)	Rod X Bore Size	List Price
WLT-20-7300283	I-U-4	1-3/4 X 4	\$96.30
WLT-20-7302715	I-U-10	1-1/2 X 3-1/2	53.67
WLT-30-3305457	P-U-10	1-1/2 X 3-1/2	53.59

WHITEMAN / CONSPRAY

Repair parts for Whiteman / Conspray are available online at www.HerculesUS.com or by contacting the Hercules Sales Team at the information provided below.

YALE LIFT TRUCKS

YALE

Kit Number	Code (Pg. xiv)	Rod X Bore Size	List Price
YA-066414600	4-1/16 Rod Wiper		\$24.84
YA-5001689-04	4-1/16 ID Vee Set		62.08
YA-502566003	I-N-8	2-1/2 X 3-1/2	189.72
YA-502566004	I-N-8	2 X 3-1/2	181.27
YA-503130000	P-V-4	2 X 3-1/4	91.98
YA-504236229	P-U-10	2-1/8 X 2-3/4	109.82
YA-504236245	P-U-10	1-3/8 X 3	59.35
YA-504853000	I-U-5	1-1/4 X 3	135.10
YA-504857000	I-N-8	2-1/4 X 4	80.57
YA-5048620	I-N-8	1-3/4 X 2-1/2	38.46
YA-505136003	I-N-8	2-1/2 X 3-1/2	77.83
YA-505136004	I-N-8	2 X 3-1/2	65.06
YA-505136007	I-U-1	1-5/8 X 2-1/4	30.69
YA-505136008	I-U-1	1-5/16 X 2-1/4	30.05
YA-505136009	I-U-1	3-1/4" Rod	45.80
YA-505136010	I-U-1	1-7/8 X 2-1/2	28.88
YA-505136012	I-U-11	1-7/8 X 2-1/4	90.38
YA-505136013	I-U-1	2-5/8 Rod Kit	32.95
YA-505136014	I-U-1	3-3/4 Rod Kit	43.25
YA-505136015	I-U-10	2-5/8 X 3	137.58
YA-505136027	I-U-1	1-5/8 X 2	37.62
YA-505136028	i-u-4	1-3/8 x 2	123.41
YA-505136031	I-U-1	3 X 3-3/4	47.10
YA-505136035	I-U-4	1-3/8 X 2	77.03
YA-505136036	I-U-4	1-5/8 X 2	64.89
YA-505136037	I-U-12	1-3/8 X 2	79.94
YA-505136040	I-U-4	1-5/8 X 1-7/8	72.10
YA-505136059	I-U-1	1-1/4 X 1-3/4	37.57
YA-505142000	I-V-1	3-3/8, 4-1/16 Stages	152.90
YA-505143000	I-V-1	2-1/2, 3 Stages	109.25
YA-505163001	Rod Kit		24.07

Kit Number	Code (Pg. xiv)	Rod X Bore Size	List Price
YA-506785001	I-N-8	2-1/4 X 4	\$278.43
YA-506787001	I-N-8	2-3/4 X 4-1/2	296.43
YA-506788001	I-N-8	2-3/4 X 4-1/2	129.32
YA-507016002	I-V-5	1-1/2 x 4	107.63
YA-509753000	I-V-12	1 X 2	50.65
YA-510078000	I-U-5	1 X 2-1/2	67.03
YA-510398000	I-V-1	2-1/4, 3, 3-3/4 Stages	230.84
YA-510659001	I-V-2	1-1/4 X 3-1/2	60.62
YA-512944003	I-U-10	1 X 2	32.72
YA-513355800	O-ring Kit		6.41
YA-514527000	I-V-1	3, 3-3/4 Stages	142.95
YA-515229000	I-U-4	2-1/4 X 3-3/4	69.91
YA-516149002	I-U-11	1 X 2	44.12
YA-516149005	I-U-11	1 X 2	35.25
YA-516149006	I-U-11	1-1/8 X 2-1/2	43.54
YA-5178128-17	Shaft Kit		2.95
YA-518617001	I-V-10	1-1/4 X 2-1/2	109.11
YA-519132600	I-U-5	1-3/4 X 3-1/2	76.48
YA-519675801	O-RING KIT		11.61
YA-580026957	P-U-10	2-1/8 X 2-3/4	53.12
YA-580060036	P-U-10	2-1/8 X 2-3/4	81.38
YA-900299851	65 mm, 80 mm	2 Stage	80.38
YA-900847850	P-U-10	25 X 60 mm	72.46
YA-900879850	I-U-3	35 X 80 mm	30.07
YA-901115850	P-U-1	32 mm Rod Kit	68.28
YA-9012238-07	P-U-10	40 X 70 mm	111.50
YA-9017888-10	P-U-10	35 X 70 mm	87.72
YA-9019058-52	P-U-10	35 X 65 mm	134.67
YA-9022018-50	Shaft Kit		19.75

REPLACEMENT PARTS FOR YALE EQUIPMENT

NOTE: Yale part numbers are used as a reference only. We do not imply that these kits are original REPLACEMENT PARTS.

VEE SETS

Part Number	ID	List Price
YA-5001689-19	2-1/4	\$48.00

O-RINGS

Part Number	Min Pkg Qty	List Price
YA-912452100	100	\$0.36

YANMAR

Excavators - Compact						
APPLICATION	CODE	ROD	BORE	KIT #	List \$	
MODEL B19						
ARM	P-U-10	35 mm	65 mm	YAN-172179-72400	64.60	
BLADE	P-U-10	40 mm	70 mm	YAN-172179-72630	29.11	
BOOM	P-U-10	35 mm	65 mm	YAN-172179-72171	96.63	
BUCKET	P-U-10	30 mm	55 mm	YAN-172179-72570	32.69	
SWING	P-U-10	35 mm	65 mm	YAN-172179-72171	96.63	
MODEL VIO35						
ARM	P-U-1	50 mm		YAN-172459-72010	79.86	
	N-N-14		85 mm	YAN-172459-72021	37.87	
	P-U-14	50 mm	85 mm	YAN-172484-72210	117.61	
BLADE	P-U-14	40 mm	80 mm	YAN-172484-72760	75.28	
	P-U-1	40 mm		YAN-172458-72050	48.71	
BOOM	N-N-14		85 mm	YAN-172444-72951	273.86	
	P-U-1	45 mm		YAN-172458-72061	100.33	
	P-U-14	45 mm	85 mm	YAN-172484-72390	369.10	
BUCKET	N-N-14		65 mm	YAN-172148-72940	74.00	
	P-U-1	40 mm		YAN-172458-72030	48.05	
	P-U-14	40 mm	65 mm	YAN-172484-72690	122.06	
SWING	N-N-14		90 mm	YAN-172460-72050	31.28	
	P-U-14	40 mm	90 mm	YAN-172484-72880	79.20	
	P-U-1	40 mm		YAN-172459-72030	48.18	
MODEL VIO35-2						
ARM	P-U-1	50 mm		YAN-172459-72010	79.86	
	N-N-14		85 mm	YAN-172459-72021	37.87	
	P-U-14	50 mm	85 mm	YAN-172484-72210	117.61	
BLADE	P-U-14	40 mm	80 mm	YAN-172484-72760	75.28	
	P-U-1	40 mm		YAN-172458-72050	48.71	
BOOM	N-N-14		85 mm	YAN-172444-72951	273.86	
	P-U-14	45 mm	85 mm	YAN-172484-72390	369.10	
	P-U-1	45 mm		YAN-172458-72061	100.33	
BUCKET	P-U-14	40 mm	65 mm	YAN-172484-72690	122.06	
	P-U-1	40 mm		YAN-172458-72030	48.05	
	N-N-14		65 mm	YAN-172148-72940	74.00	
SWING	P-U-14	40 mm	90 mm	YAN-172484-72880	79.20	
	N-N-14		90 mm	YAN-172460-72050	31.28	
	P-U-1	40 mm		YAN-172459-72030	48.18	

YANMAR

YANMAR

Kit Number	Code (Pg. xxii)	Rod X Bore Size	List Price
YAN-172147-99340	P-U-14	55 X 95 mm	\$233.73
YAN-172148-72940	N-N-14	65 mm	74.00
YAN-172179-72171	P-U-10	35 mm X 65 mm	96.63
YAN-172179-72400	P-U-10	35 mm X 65 mm	64.60
YAN-172179-72570	P-U-10	30 mm X 55 mm	32.69
YAN-172179-72630	P-U-10	40 mm X 70 mm	29.11
YAN-172425-72500	P-U-1	55 mm Rod Kit	58.52
YAN-172425-72600	N-N-14	90 mm Piston Kit	60.69
YAN-172444-72951	N-N-14	85 mm	273.86
YAN-172458-72030	P-U-1	40 mm	48.05
YAN-172458-72050	P-U-1	40 mm	48.71
YAN-172458-72061	P-U-1	45 mm	100.33

Kit Number	Code (Pg. xxii)	Rod X Bore Size	List Price
YAN-172459-72010	P-U-1	50 mm	\$79.86
YAN-172459-72021	N-N-14	85 mm	37.87
YAN-172459-72030	P-U-1	40 mm	48.18
YAN-172460-72050	N-N-14	90 mm	31.28
YAN-172484-72210	P-U-14	50 mm X 85 mm	117.61
YAN-172484-72390	P-U-14	45 mm X 85 mm	369.10
YAN-172484-72690	P-U-14	40 mm X 65 mm	122.06
YAN-172484-72760	P-U-14	40 mm X 80 mm	75.28
YAN-172484-72880	P-U-14	40 mm X 90 mm	79.20
YAN-933138-70699	P-U-5	40 X 88 mm	216.34
YAN-933711-33599	P-U-5	50 X 80 mm	107.63
YAN-933711-34799	P-U-5	40 X 75 mm	245.49

YUTANI

Replacement Kits For

Excavators						
APPLICATION	CYL #	CODE	ROD	BORE	KIT #	List \$
MODEL MD-120LC						
ARM	2438U983F1	P-UB-1	80 mm		YUT-2438U928R100	313.62
BOOM L	2438U923F1	P-UB-1	70 mm		YUT-2438U922R100	215.01
BOOM R	2438U922F1	P-UB-1	70 mm		YUT-2438U922R100	215.01
BUCKET	2438U897F1	P-UB-1	65 mm		YUT-2438U897R100	180.88
	2438U897F1	N-N-10		100 mm	YUT-2438U897R110	203.06
MODEL MD-140BLC						
ARM	2438U973F1	N-N-10		120 mm	YUT-2438U973R200	471.14
	2438U973F1	P-UB-1	80 mm		YUT-2438U973R100	354.03
BOOM L	2438U972F2	P-UB-1	70 mm		YUT-2438U971R100	221.96
	2438U972F2	N-N-10		105 mm	YUT-2438U971R200	335.32
BOOM R	2438U971F2	P-UB-1	70 mm		YUT-2438U971R100	221.96
	2438U971F2	N-N-10		105 mm	YUT-2438U971R200	335.32
BUCKET	2438U974F1	N-N-10		100 mm	YUT-2438U974R200	343.46
	2438U974F1	P-UB-1	65 mm	100 mm	YUT-2438U974R100	178.01
MODEL MD-180LC						
ARM	2438U921F1	P-UB-1	95 mm		YUT-2438U921R100	224.47
	2438U921F1	N-N-10		145 mm	YUT-2438U921R110	431.34
	2438U921F2	N-N-10		145 mm	YUT-2438U921R110	431.34
	2438U921F2	P-UB-1	95 mm		YUT-2438U921R100	224.47
	2438U982F1	P-UB-1	95 mm		YUT-2438U921R100	224.47
BOOM	2438U914D1F1	P-UB-1	85 mm		YUT-2438U914R100	240.11
	2438U914D2F1	P-UB-1	85 mm		YUT-2438U914R100	240.11
BOOM L	2438U981F1	P-UB-1	85 mm		YUT-2438U914R100	240.11
BOOM R	2438U980F1	P-UB-1	85 mm		YUT-2438U914R100	240.11
BUCKET	2438U915F1	P-UB-1	75 mm		YUT-2438U915R100	181.44
	2438U915F1	N-N-10		120 mm	YUT-2438U915R110	343.89
MODEL MD-200BLC						
ARM	2438U941F1	P-UB-1	100 mm		YUT-2438U941R100	545.09
	2438U941F1	N-N-14		145 mm	YUT-2438U941R200	592.40
BOOM L	2438U996F1	N-N-14		125 mm	YUT-2438U996R200	544.54
	2438U996F1	P-UB-1	85 mm		YUT-2438U996R100	275.61
BOOM R	2438U997F1	P-UB-1	85 mm		YUT-2438U996R100	275.61
	2438U997F1	N-N-14		125 mm	YUT-2438U996R200	544.54
BUCKET	2438U995F1	N-N-14		120 mm	YUT-2438U995R200	500.76
	2438U995F1	P-UB-1	80 mm		YUT-2438U995R100	271.38
MODEL MD-240BLC						
ARM	2438U953F1	P-UB-1	105 mm		YUT-2438U953R100	537.73
	2438U953F1	N-N-10		150 mm	YUT-2438U953R200	493.90
BOOM L	2438U1000F1	N-N-10		140 mm	YUT-2438U999R200	509.74
	2438U1000F1	P-UB-1	90 mm		YUT-2438U999R100	264.63
BOOM R	2438U999F1	P-UB-1	90 mm		YUT-2438U999R100	264.63
	2438U999F1	N-N-10		140 mm	YUT-2438U999R200	509.74
BUCKET	2438U959F1	P-UB-1	85 mm		YUT-2438U959R100	284.71
	2438U959F1	N-N-10		130 mm	YUT-2438U959R200	380.05
MODEL MD-300LC						
ARM	2438U1323F1	N-N-10		160 mm	YUT-2438U1323R110	677.97
	2438U1323F1	P-UB-1	110 mm		YUT-2438U1323R100	398.69
BOOM	2438U776F1	P-UB-1	95 mm		YUT-2438U776R100	326.83
	2438U776F1	N-N-10		150 mm	YUT-2438U776R110	528.84
BUCKET	2438U1324F1	N-N-10		150 mm	YUT-2438U1324R110	400.82
	2438U1324F1	P-UB-1	100 mm		YUT-2438U1324R100	450.76
MODEL MD-450BLC						
ARM	2438U1029F1	N-N-14		180 mm	YUT-2438U1029R200	541.01
	2438U1029F1	P-UB-1	130 mm		YUT-2438U1029R100	490.21
BOOM	2438U1028D1F1	P-UB-1	110 mm		YUT-2438U1028R100	303.85

YUTANI

YUTANI

Excavators						
APPLICATION	CYL #	CODE	ROD	BORE	KIT #	List \$
MODEL MD-450BLC						
BOOM	2438U1028D1F1	N-N-14		170 mm	YUT-2438U1028R200	752.95
	2438U1028D2F1	N-N-14		170 mm	YUT-2438U1028R200	752.95
	2438U1028D2F1	P-UB-1	110 mm		YUT-2438U1028R100	303.85
BUCKET	2438U1030F1	N-N-14		170 mm	YUT-2438U1030R200	752.95
	2438U1030F1	P-UB-1	120 mm		YUT-2438U1030R100	378.88

REPLACEMENT KITS FOR YUTANI EQUIPMENT

Kit Number	Description	List Price
YUT-2438U1028R100	110 mm Rod Kit	\$303.85
YUT-2438U1028R200	170 mm Piston Kit	752.95
YUT-2438U1029R100	130 mm Rod Kit	490.21
YUT-2438U1029R200	180 mm Piston Kit	541.01
YUT-2438U1030R100	120 mm Rod Kit	378.88
YUT-2438U1030R200	170 mm Piston Kit	752.95
YUT-2438U1323R100	110 mm Rod Kit	398.69
YUT-2438U1323R110	160 mm Piston Kit	677.97
YUT-2438U1324R100	100 mm Rod Kit	450.76
YUT-2438U1324R110	150 mm Piston Kit	400.82
YUT-2438U776R100	95 mm Rod Kit	326.83
YUT-2438U776R110	150 mm Piston Kit	528.84
YUT-2438U897R100	65 mm Rod Kit	180.88
YUT-2438U897R110	100 mm Piston Kit	203.06
YUT-2438U914R100	85 mm Rod Kit	240.11
YUT-2438U915R100	75 mm Rod Kit	181.44
YUT-2438U915R110	120 mm Piston Kit	343.89
YUT-2438U921R100	95 mm Rod Kit	224.47
YUT-2438U921R110	145 mm Piston Kit	431.34
YUT-2438U922R100	70 mm Rod Kit	215.01

Kit Number	Description	List Price
YUT-2438U928R100	80 mm Rod Kit	\$313.62
YUT-2438U941R100	100 mm Rod Kit	545.09
YUT-2438U941R200	145 mm Piston Kit	592.40
YUT-2438U953R100	105 mm Rod Kit	537.73
YUT-2438U953R200	150 mm Piston Kit	493.90
YUT-2438U959R100	85 mm Rod Kit	284.71
YUT-2438U959R200	130 mm Piston Kit	380.05
YUT-2438U971R100	70 mm Rod Kit	221.96
YUT-2438U971R200	105 mm Piston Kit	335.32
YUT-2438U973R100	80 mm Rod Kit	354.03
YUT-2438U973R200	120 mm Piston Kit	471.14
YUT-2438U974R100	65 mm Rod Kit	178.01
YUT-2438U974R200	100 mm Piston Kit	343.46
YUT-2438U985R200	180 mm Piston Kit	589.60
YUT-2438U995R100	80 mm Rod Kit	271.38
YUT-2438U995R200	120 mm Piston Kit	500.76
YUT-2438U996R100	85 mm Rod Kit	275.61
YUT-2438U996R200	125 mm Piston Kit	544.54
YUT-2438U999R100	90 mm Rod Kit	264.63
YUT-2438U999R200	140 mm Piston Kit	509.74

YUTANI

Pump, Motor and Valve Repair Kits

Contents	Page
Bosch Rexroth Pump Kits	1140
Danfoss Pump Repair Kits	1140
Cornell Pump	1140
Parker/Commercial Intertech Pump Repair Kits	1142 - 1157
Parker/Gresen Pump Repair Kits	1160 - 1162
Vickers Pump Repair Kits	1163 - 1164
Char-Lynn and White Motors Repair Kits	1165 - 1175
Parker/Commercial Intertech and Parker Gresen Valve Repair Kits	1176
Pioneer Pump Repair Parts	1177

BOSCH REXROTH PUMP KITS



A10 NBR SERVICE KITS FOR SERIES 30 & 31

Kit Number	PUMP TECHNICAL DATA				Kit List Price
	Model Number	Size	Displacement in. ³ / (cm ³)	Flow Rate (GPM)	
BRR-R910937565	A10V(S)0	18	1.1 / (18)	15.7	\$72.74
BRR-R910915845	A10V(S)0	28	1.71 / (28)	22	81.46
BRR-R910915885	A10V(S)0	45	2.75 / (45)	31	87.56
BRR-R910915846	A10V(S)0	71	4.33 / (71)	41	104.66
BRR-R910915847	A10V(S)0	100	6.1 / (100)	53	95.57
BRR-R910941169	A10V(S)0	140	8.54 / (140)	67	134.77

DANFOSS PUMP KITS



DFS-4510017

Kit Number	Description	Kit List Price
DFS-4510017	M46 OVERHAUL GASKET/SEAL KIT	\$208.91
DFS-02-330404	VALVE KIT	31.95

CORNELL PUMP

Kit Number	Description	Shaft	List Price
CPC-A21832Q-18	CASSETTE SEALS	3	\$374.40

Parker/Commercial Intertech Pump Repair Kits

Contents	Page
Identifying Pumps & Motors	1142
Pump/Motor Seal Kits	1143 - 1145
Repair Parts	1146
Parts Breakdown	
• C101/102 Parts Breakdown	1147
• G101/102 Parts Breakdown	1148
• P20 Parts Breakdown	1149
• P30 Parts Breakdown	1150
• P31 Parts Breakdown	1151
• P50 Parts Breakdown	1152
• P51 Parts Breakdown	1153
• P75 Parts Breakdown	1154
• P76 Parts Breakdown	1155
• P330 Parts Breakdown	1156
• P350 Parts Breakdown	1157
• P365 Parts Breakdown	1158

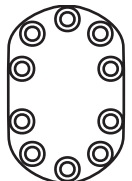
IDENTIFYING PUMPS & MOTORS



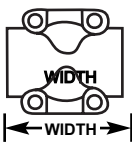
By the Shape and Size of the Port End Cover

1. Look at the Unit from the Port End, see which example it matches the closest. Include the Shape, Size, and most importantly the Bolt Pattern.
2. Measure the overall width of the Unit, then match the width to the chart beside the Port End you chose in step #1.
3. If there is not a "See Also" block on the chart you used, then you've identified the Unit. Otherwise move to step #4.
4. A Numbered Note marker will direct you to the next step or steps.

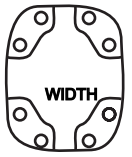
PORT END VIEW



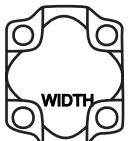
Series	"D"
Width	4.50



Series	315	330	350	365
Side Ported Width	4.25	6.68	7.12	7.38
Unported Width	4.00	4.81	5.75	6.25



Series	37X	75/76	125
Width	5.12	6.13	7.00
See Also		②	



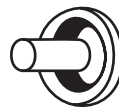
Series	15H	25X	20	30/31	50/51
Width	4.38	4.94	4.50	4.81	4.94
See Also		①		②	①②



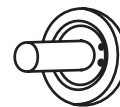
1 - SHAFT END VIEW

Look at the Unit from the Shaft End, compare it to the views below. Select the Shaft type on your Unit.

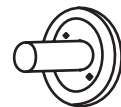
SERIES 31/51



NO RETAINER/
OUTBOARD BEARINGS



W/SNAP RING
(SEE NOTE BELOW)



SCREW IN
RETAINER

2 - DISASSEMBLE UNIT

This step requires the Port End Cover of the Unit to be removed & inspected for Dowel Pins. This is the only way to tell the difference between some Series.

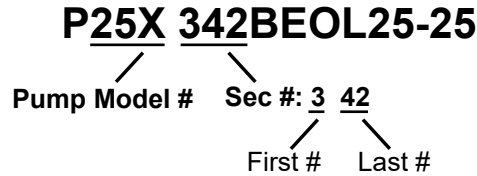
Series 31/51/76: Assembled with Dowel Pins.

**Call Our Component Sales Team
If You Need More Assistance**

PUMP / MOTOR SEAL KITS



Identify kits by using model and shaft end cover numbers. Example:



P20 SERIES

Kit Part #	Application	SEC First #	SEC Last #	Price
Pumps CM-P20SPSK		1, 2, 3, 4, 5, 6	05, 27, 42, 91, 92, 94, 96, 97	\$24.05
Motors CM-M20SPSK		8, 9, 19	05, 10, 42, 94, 97	32.59
Multiple Section Pumps & Motors CM-MP20MSSK Note: Use 1 Kit per section in a multi-section Pump or Motor				4.62

25X SERIES

Kit Part #	Application	SEC First #	SEC Last #	Price
Pumps CM-P25SBSKT1	Type I, Single Bearing	1, 2, 3	00, 01, 02, 03, 06, 40, 41, 42, 78, 79, 97, 98	\$28.90
CM-P25SBSKT2	Type II, Single Bearing	1, 2, 3	04, 05, 07	28.78
CM-P25DBSK	Type II, Double Bearing	6, 8	00, 42, 78, 97, 98	36.85
Motors CM-M25SBSKT1	Type I, Single Bearing	7, 9	00, 01, 02, 03, 06, 40, 41, 42, 78, 79, 95, 97, 98	41.07
CM-M25SBSKT3	Type II, Single Bearing	7, 9	04, 05, 07	45.67
CM-M25DBSK	Type II, Double Bearing	8	00, 42, 47, 78, 97, 98	38.94
Multiple Section Pumps & Motors CM-MP25MSSK Note: Use 1 Kit per section in a multi-section Pump or Motor				4.71

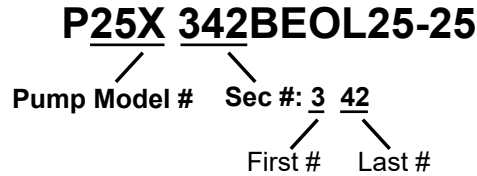
30 SERIES

Kit Part #	Application	SEC First #	SEC Last #	Price
Pumps CM-P30SPSK		1 - 6	05 - 97	\$19.63
Motors CM-M30SPSK	Type I, Single Bearing	8 - 9	05 - 94	50.93
Multiple Section Pumps & Motors CM-MP30MSSK Note: Use 1 Kit per section in a multi-section Pump or Motor				4.97

PUMP / MOTOR SEAL KITS



Identify kits by using model and shaft end cover numbers. Example:



37X SERIES

Kit Part #	Application	SEC First #	SEC Last #	Price
Pumps				
CM-P37SBSK	Type I, Single Bearing	1, 2, 3	11, 12, 23, 42, 63, 77, 78, 81, 97	\$31.75
Motors				
CM-M37SBSK	Type I, Single Bearing	7, 9	11, 12, 23, 42, 63, 78, 81, 97, 98	38.19
CM-M37DBSK	Type II, Double Bearing	8	11, 42, 78	38.19
Multiple Section Pumps & Motors				
CM-MP30MSSK	Note: Use 1 Kit per section in a multi-section Pump or Motor			4.97

50 SERIES

Kit Part #	Application	SEC First #	SEC Last #	Price
Pumps				
CM-P50SPSK		1 - 6	00 - 98	\$32.79
Motors				
CM-M50SPSK		8 - 9	00 - 98	44.19
Multiple Section Pumps & Motors				
CM-MP50MSSK	Note: Use 1 Kit per section in a multi-section Pump or Motor			5.48

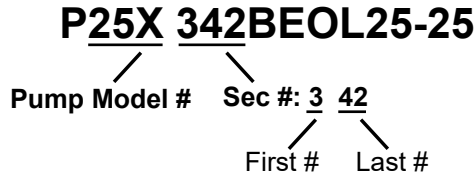
75 SERIES

Kit Part #	Application	SEC First #	SEC Last #	Price
Pumps				
CM-P75SPSK		1 - 6	42 - 98	\$78.30
Motors				
CM-M75SPSK		8 - 9	42 - 98	91.58
Multiple Section Pumps & Motors				
CM-MP75MSSK	Note: Use 1 Kit per section in a multi-section Pump or Motor			5.19

PUMP / MOTOR SEAL KITS



Identify kits by using model and shaft end cover numbers. Example:



330 SERIES

Kit Part #	Application	SEC First #	SEC Last #	Price
Pumps CM-P330SPSK		All Pumps		\$64.74
Motors CM-M330SPSK		All Motors		153.70
Multiple Section Pumps CM-P330MSSK	Note: Use 1 Kit per section in a multi-section Pump or Motor			77.83

350 SERIES

Kit Part #	Application	SEC First #	SEC Last #	Price
Pumps CM-P350SPSK		All Pumps		\$64.74
Motors CM-M350SPSK		All Motors		153.70
Multiple Section Pumps CM-P350MSSK	Note: Use 1 Kit per section in a multi-section Pump or Motor			48.23

365 SERIES

Kit Part #	Application	SEC First #	SEC Last #	Price
Pumps CM-P365SPSK		All Pumps		\$77.45
Motors CM-M365SPSK		All Motors		332.92
Multiple Section Pumps CM-P365MSSK	Note: Use 1 Kit per section in a multi-section Pump or Motor			54.94

REPAIR PARTS



Standard Series Pump Parts

Description	Engineering #	Part #	Price
P20/30/31 SERIES			
Snap Ring	X134-206	CM-391-2686-063	\$4.63
Outboard Bearing	X69-40	CM-391-0381-040	48.95
Seal (pump)	X73-37-16	CM-391-2883-058	4.23
Check Assemblies	M1391K	CM-391-3681-001	6.36
Plug	T1391	CM-391-2286-004	24.62
Spacer	VB1669-2	CM-391-3383-069	57.64
Seal Retainer	AE1669	CM-391-3381-040	24.27
Hi Pressure Seal	X73-50-9	CM-391-2883-119	29.87
Ring Seals	LB1669-1	CM-391-2585-006	15.64
Roller Bearings	Y1032	CM-391-0381-906	36.47
Thrust Plates	AA1058	CM-391-2185-913	74.30
P50/51 SERIES			
Snap Ring	X134-283	CM-391-2686-063	\$4.63
Outboard Bearing	X69-58	CM-391-0381-040	48.95
Seal (pump)	X73-37-17	CM-391-2883-058	4.23
Check Assemblies	M1391K	CM-391-3681-001	6.36
Plug	T1391	CM-391-2286-004	24.62
Spacer	VB1669-1	CM-391-3383-069	57.64
Seal Retainer	AC1669	CM-391-3381-040	24.27
Hi Pressure Seal	X73-50-8	CM-391-2883-119	29.87
Ring Seals	NB1669-1	CM-391-2585-006	15.64
Roller Bearings	S1032	CM-391-0381-906	36.47
Thrust Plates	Y1058	CM-391-2185-913	74.30
P75/76 SERIES			
Snap Ring	X96-315	CM-391-2686-025	\$11.21
Outboard Bearing	X69-59	CM-391-0381-078	85.70
Spacer	VB1669	CM-391-3383-018	36.75
Seal Retainer	RA1072	CM-391-2584-051	61.12
O Ring	L3006-164	CM-391-2881-457	0.66
Seal (pump)	X73-37-10	CM-391-2883-052	13.54
(motor)	X73-50-1	CM-391-2883-094	47.88
Check Assemblies	M1391K	CM-391-3681-001	6.36

Description	Engineering #	Part #	Price
P75/76 SERIES			
Plug	T1391	CM-391-2286-004	\$24.62
Ring Seals	WB1669-1	CM-391-2585-011	22.73
Roller Bearings	R1032	CM-391-0381-904	73.41
Pocket Seals	BA3026-6	CM-391-2882-084	5.99
Thrust Plates	BA1058	CM-391-2185-920	185.67
P330 SERIES			
Snap Ring		300-206	\$5.38
Outboard Bearing	X69-40	CM-391-0381-040	48.95
Seal	X73-37-16	CM-391-2883-058	4.23
Bushings	(330) BUSHINGS	CM-391-0482-306	22.71
Channel Seal	P330 CHNL SEAL	CM-391-2885-065	18.51
Thrust Plates	P330 THRUST PLT	CM-391-2185-956	162.22
Gasket Seal	SOR-75NBR-4x1/8-C/S	580-242	1.43
Dowel Pins (Solid)	P31 DOWEL PINS	CM-391-2082-032	16.74
P350 SERIES			
Snap Ring		WHM-283	\$17.54
Outboard Bearing	X69-58	CM-391-0381-077	71.89
Seal	X73-37-16	CM-391-2883-103	11.71
Bushings	(330) BUSHINGS	CM-391-0482-308	61.21
Channel Seal	P330 CHNL SEAL	CM-391-2885-066	13.37
Thrust Plates	P330 THRUST PLT	CM-391-2185-957	98.00
Gasket Seal	SOR-75NBR-4.5x1/8-C/S	580-246	2.11
Dowel Pins (Solid)	P31 DOWEL PINS	CM-391-2082-032	16.74
P365 SERIES			
Snap Ring		300-315	\$14.96
Outboard Bearing	X69-59	CM-391-0381-078	85.70
Seal	X73-37-10	CM-391-2883-052	13.54
Bushings	BUSHING 365	CM-391-0482-307	59.15
Channel Seal	CHANNELSEAL	CM-391-2885-064	37.00
Thrust Plates	P365 THRUST PLT	CM-391-2185-055	120.95
Gasket Seal	SOR-75NBR-5x1/8-C/S	580-250	3.02
Dowel Pins (Solid)	PIN,DOWEL	CM-391-2082-062	3.50

PUMP REPAIR KITS

C101/C102 PARTS BREAKDOWN

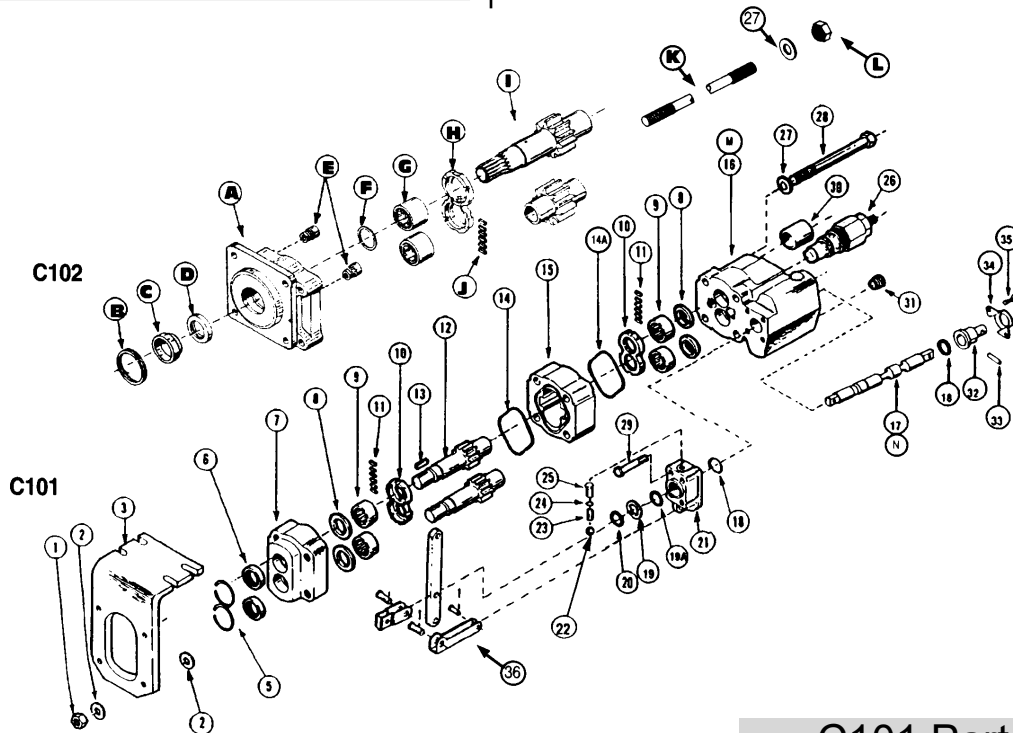


Seal Kit for C101 - CM-HC101
Seal Kit for C102 - CM-HC102

Typical Parts

Item	Description	Part #	Req	Price
A	Shaft End Cover	For reference only	1	N/A
B	Snap Ring	CM-391-2686-065	1	\$14.16
C	Seal Retainer	CM-391-3383-087	1	22.16
D	Lip Seal	CM-391-2883-115	1	58.68
E	Check Assembly	CM-391-3681-001	2	6.36
F	Ring Seal	CM-391-2585-009	2	22.79

Item	Description	Part #	Req	Price
G	Roller Bearing	CM-391-0381-905	4	\$51.13
H	Thrust Plate	CM-391-2185-912	2	75.04
J	Pocket Seal	CM-391-2882-050	12	1.07
M	Port End Cover	For reference only	1	N/A
N	Valve Spool	For reference only	1	N/A



C101 Parts List

Item	Description	Part #	Req	Price
1	Hex Nut	For reference only	4	N/A
2	Washer	For reference only	8	N/A
3	Bracket (optional)	For reference only	1	N/A
5	Snap Ring	CM-391-2681-493	2	\$4.98
6	Lip Seal	CM-391-2883-096	2	46.58
7	Shaft End Cover	For reference only	1	N/A
8	Ring Seal	CM-391-2585-009	4	22.79
9	Roller Bearing	CM-391-0381-905	4	51.13
10	Thrust Plate	CM-391-2185-916	2	76.75
11	Pocket Seals	CM-391-2882-050	12	1.07
12	Gear Set 2" 2 1/2"	For reference only	1	N/A
13	Shaft Key	For reference only	1	N/A
14	Gasket Seal	For reference only	2	N/A
15	Gear 2"	For reference only	1	N/A
16*	Housing 2 1/2"	For reference only	1	N/A
17*	Port End Cover	For reference only	1	N/A
18	Valve Spool	For reference only	1	N/A
19	"O" Ring	CM-391-2881-103	2	0.24
19A	Wiper Ring	CM-391-2883-147	1	4.41
19	Retainer Ring	CM-391-3782-126	1	6.23
20	Snap Ring	CM-391-2688-003	1	14.79

Item	Description	Part #	Req	Price
21	Detent Cap	For reference only	1	N/A
22	Detent Ball	For reference only	1	N/A
23	Detent Spring	For reference only	1	N/A
24	Lock Washer	For reference only	1	N/A
25	Detent Retainer	For reference only	1	N/A
26	Relief Valve	For reference only	1	N/A
27	Washer	For reference only	4	N/A
28	Cap Screw 2" 2 1/2"	For reference only	4	N/A
29	Cap Screw	For reference only	4	N/A
30	Sleeve (optional)	For reference only	1	N/A
31	Pipe Plug - 1" NPT	For reference only	1	N/A
32	Spool End Cap	For reference only	1	N/A
33	Spiral Pin	For reference only	1	N/A
34	Bracket	For reference only	1	N/A
35	Socket Hd.	For reference only	2	N/A
36	Cap Screw Handle Ass'y (optional)	For reference only	1	N/A

*Items 16, 17 M and N are not serviceable parts.

PUMP REPAIR KITS

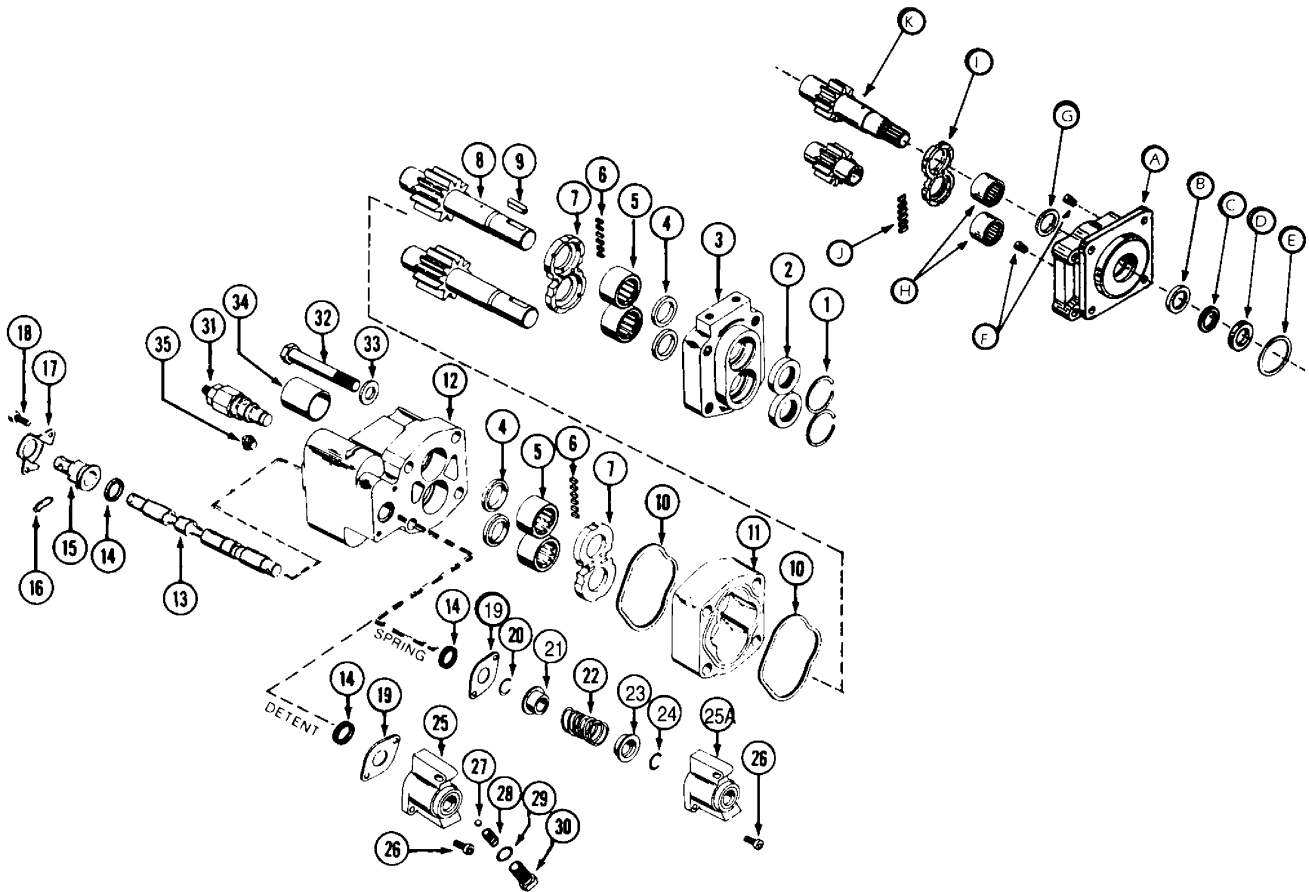
G101 / G102 PARTS BREAKDOWN



Seal Kit for G101 - CM-HG101
Seal Kit for G102 - CM-HG102

Item	Description	Part #	Req	Price
B	Lip Seal	CM-391-2883-119	1	\$29.87
C	Seal Retainer	CM-391-3381-040	1	24.27
D	Spacer	CM-391-3383-069	1	57.64
E	Snap Ring	CM-391-2686-063	1	4.63
F	Checks	CM-391-3681-001	2	6.36

Item	Description	Part #	Req	Price
G	Ring Seal	CM-391-2585-006	2	\$15.64
H	Roller Bearing	CM-391-0381-906	4	36.47
I	Thrust Plate	CM-391-2185-913	2	74.30
J	Pocket Seal	568C-093	1ft	1.24



Item	Description	Part #	Req	Price
1	Snap Ring	CM-391-2681-487	2	\$17.41
2	Lip Seal	CM-391-2883-119	2	29.87
4	Ring Seal	CM-391-2585-006	4	15.64
5	Roller Bearing	CM-391-0381-906	4	36.47

Item	Description	Part #	Req	Price
6	Pocket Seal	568C-093	1ft	\$1.24
7	Thrust Plate	CM-391-2185-913	2	74.30
14	Quad Ring Seal	CM-391-1985-014	2	2.25

PUMP REPAIR KITS

P20 PARTS BREAKDOWN



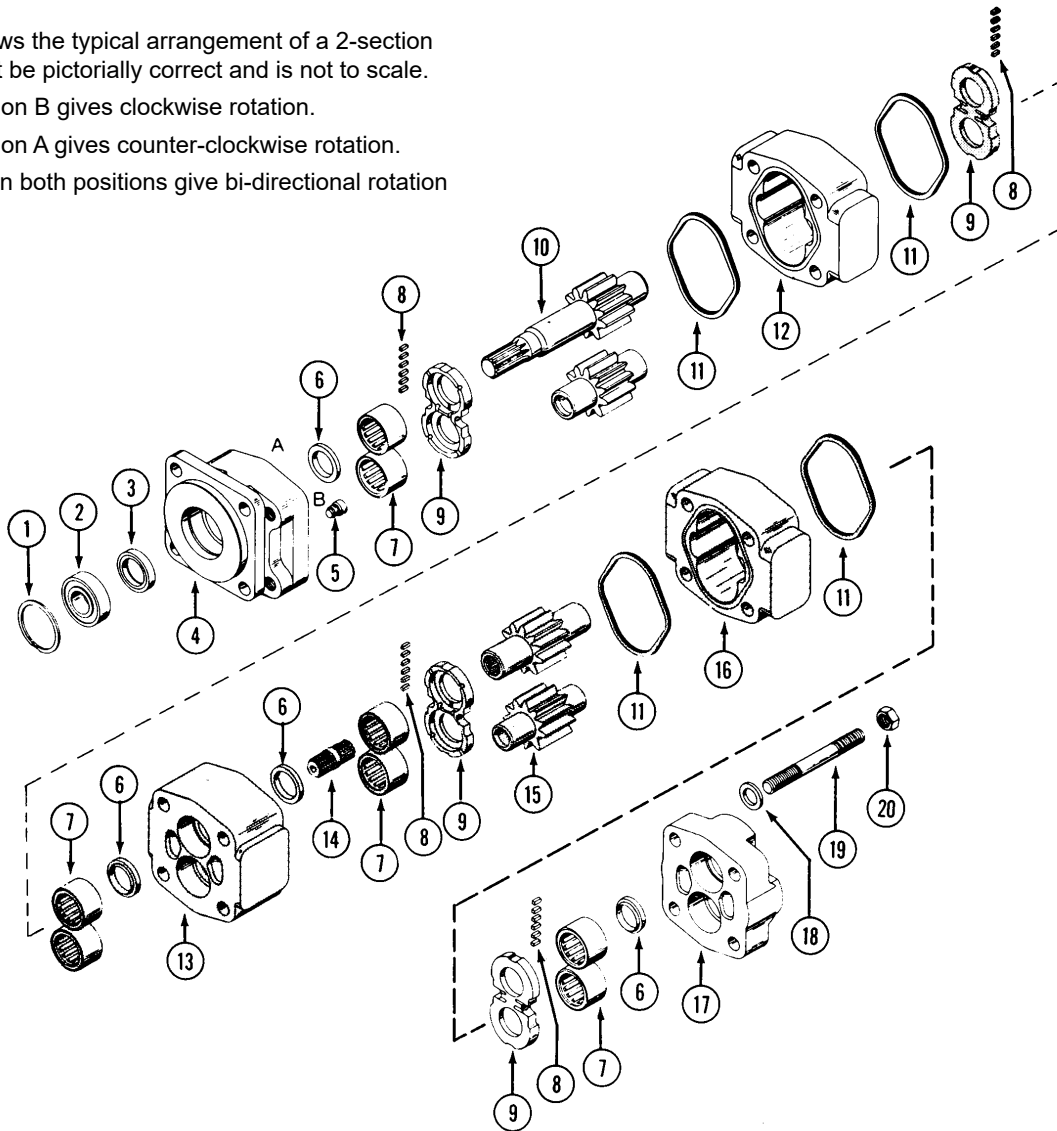
Note:

This page shows the typical arrangement of a 2-section unit. It may not be pictorially correct and is not to scale.

Plug 5 in position B gives clockwise rotation.

Plug 5 in position A gives counter-clockwise rotation.

Check valves in both positions give bi-directional rotation



Item	Description	Part #	Price
1	Snap Ring	CM-391-2686-063	\$4.63
2	Outboard Bearing	CM-391-0381-040	48.95
3	Seal	CM-391-2883-058	4.23
4	Shaft End Cover	For reference only	N/A
5	Check Assemblies or Plug	CM-391-3681-001	6.36
6	Ring Seals	CM-391-2585-006	15.64
7	Roller Bearings	CM-391-0381-906	36.47
8	Pocket Seals	568C-093	1.24
9	Thrust Plates	CM-391-2185-913	74.30
10	Integral Drive Shaft and Gear Set	For reference only	N/A

Item	Description	Part #	Price
11	Gasket Seals	580-239	\$1.40
12	Gear Housing	For reference only	N/A
13	Bearing Carrier	For reference only	N/A
14	Connecting Shaft	For reference only	N/A
15	Matched Gear Set	For reference only	N/A
16	Gear Housing	For reference only	N/A
17	Port End Cover	For reference only	N/A
18	Washers	For reference only	N/A
19	Studs or Cap Screws	For reference only	N/A
20	Nuts	For reference only	N/A

PUMP REPAIR KITS

P30 PARTS BREAKDOWN



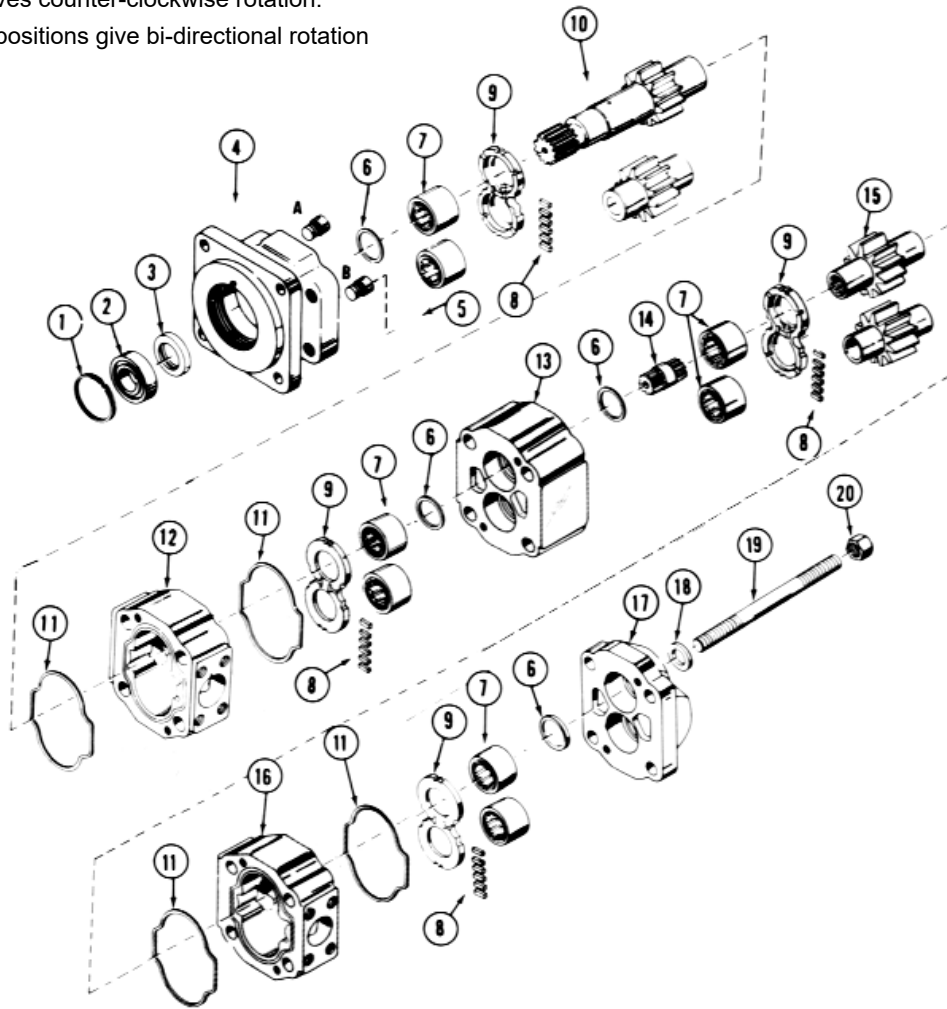
Note:

This page shows the typical arrangement of a 2-section unit. It may not be pictorially correct and is not to scale.

Plug 5 in position B gives clockwise rotation.

Plug 5 in position A gives counter-clockwise rotation.

Check valves in both positions give bi-directional rotation



PUMP REPAIR KITS

Item	Description	Part #	Price
1	Snap Ring	CM-391-2686-063	\$4.63
2	Outboard Bearing	CM-391-0381-040	48.95
3	Seal (Pump)	CM-391-2883-058	4.23
4	Hi Pressure Seal (Motor)	CM-391-2883-119	29.87
5	Shaft End Cover	For reference only	N/A
5	Check Assemblies	CM-391-3681-001	6.36
	Plug	CM-391-2286-004	24.62
6	Ring Seals	CM-391-2585-006	15.64
7	Roller Bearings	CM-391-0381-906	36.47
8	Pocket Seals	568C-093	1.24
9	Thrust Plates	CM-391-2185-913	74.30
10	Integral Drive Shaft and Gear Set	For reference only	N/A

Item	Description	Part #	Price
11	Gasket Seals	CM-391-2884-050	\$1.23
12	Gear Housing	For reference only	N/A
13	Bearing Carrier	For reference only	N/A
14	Connecting Shaft	For reference only	N/A
15	Matched Gear Set	For reference only	N/A
16	Gear Housing	For reference only	N/A
17	Port End Cover	For reference only	N/A
18	Washers	For reference only	N/A
19	Studs or Cap Screws	For reference only	N/A
20	Nuts	For reference only	N/A

P31 PARTS BREAKDOWN



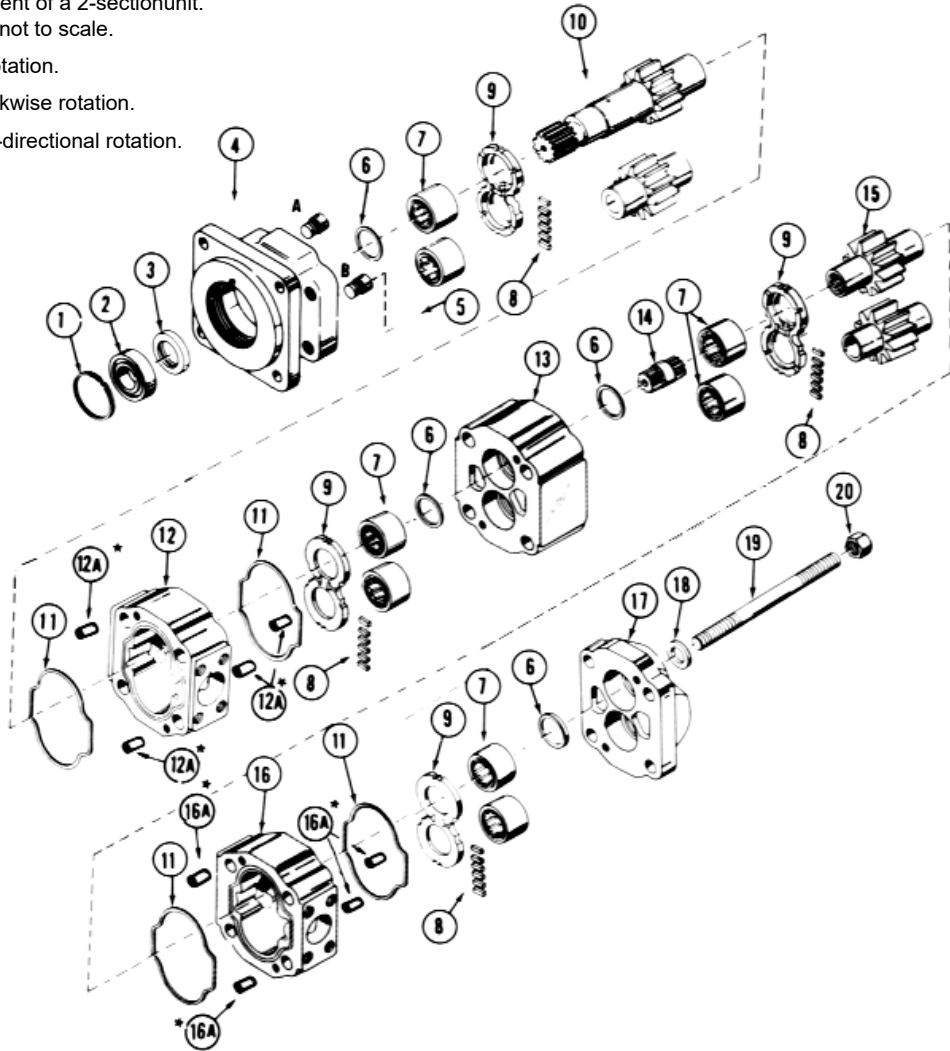
Note:

This page shows the typical arrangement of a 2-section unit. It may not be pictorially correct and is not to scale.

Plug 5 in position B gives clockwise rotation.

Plug 5 in position A gives counter-clockwise rotation.

Check valves in both positions give bi-directional rotation.



Item	Description	Part #	Price
1	Snap Ring	CM-391-2686-063	\$4.63
2	Outboard Bearing	CM-391-0381-040	48.95
3	Seal (Pump)	CM-391-2883-058	4.23
	Hi Pressure Seal (Motor)	CM-391-2883-119	29.87
4	Shaft End Cover	For reference only	N/A
5	Check Assemblies	CM-391-3681-001	6.36
	Plug	CM-391-2286-004	24.62
6	Ring Seals	CM-391-2585-006	15.64
7	Roller Bearings	CM-391-0381-906	36.47
8	Pocket Seals	568C-093	1.24
9	Thrust Plates	CM-391-2185-913	74.30
10	Integral Drive Shaft and Gear Set	For reference only	N/A

Item	Description	Part #	Price
11	Gasket Seals	CM-391-2884-050	\$1.23
12	Gear Housing	For reference only	N/A
12A	Dowel Pins	CM-391-2082-032	15.50
13	Bearing Carrier	For reference only	N/A
14	Connecting Shaft	For reference only	N/A
15	Matched Gear Set	For reference only	N/A
16	Gear Housing	For reference only	N/A
16A	Dowel Pins	CM-391-2082-032	16.74
17	Port End Cover	For reference only	N/A
18	Washers	For reference only	N/A
19	Studs or Cap Screws	For reference only	N/A
20	Nuts	For reference only	N/A

P50 PARTS BREAKDOWN



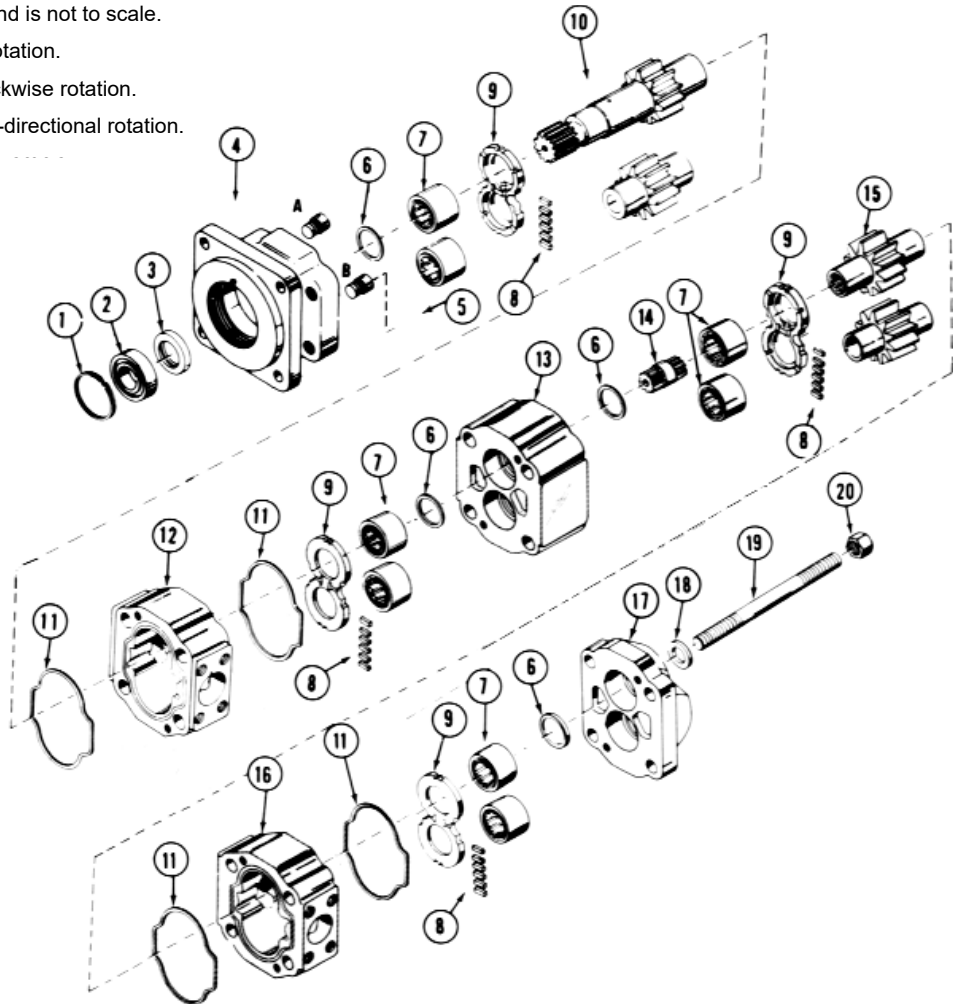
Note:

This page shows the typical arrangement of a 2-section unit. It may not be pictorially correct and is not to scale.

Plug 5 in position B gives clockwise rotation.

Plug 5 in position A gives counter-clockwise rotation.

Check valves in both positions give bi-directional rotation.



PUMP REPAIR KITS

Item	Description	Part #	Price
1	Snap Ring	CM-391-2686-065	\$14.16
2	Outboard Bearing	CM-391-0381-077	71.89
3	Seal (Pump)	CM-391-2883-103	11.71
4	Hi Pressure Seal (Motor)	CM-391-2883-115	58.68
5	Shaft End Cover	For reference only	N/A
6	Check Assemblies	CM-391-3681-001	6.36
7	Plug	CM-391-2286-004	24.62
8	Ring Seals	CM-391-2585-009	22.79
9	Roller Bearings	CM-391-0381-905	51.13
10	Pocket Seals	580C-093	1.50
11	Thrust Plates	CM-391-2185-912	75.04
12	Integral Drive Shaft and Gear Set	For reference only	N/A

Item	Description	Part #	Price
11	Gasket Seals	CM-391-2884-021	\$1.30
12	Gear Housing	For reference only	N/A
13	Bearing Carrier	For reference only	N/A
14	Connecting Shaft	For reference only	N/A
15	Matched Gear Set	For reference only	N/A
16	Gear Housing	For reference only	N/A
17	Port End Cover	For reference only	N/A
18	Washers	For reference only	N/A
19	Studs or Cap Screws	For reference only	N/A
20	Nuts	For reference only	N/A

P51 PARTS BREAKDOWN



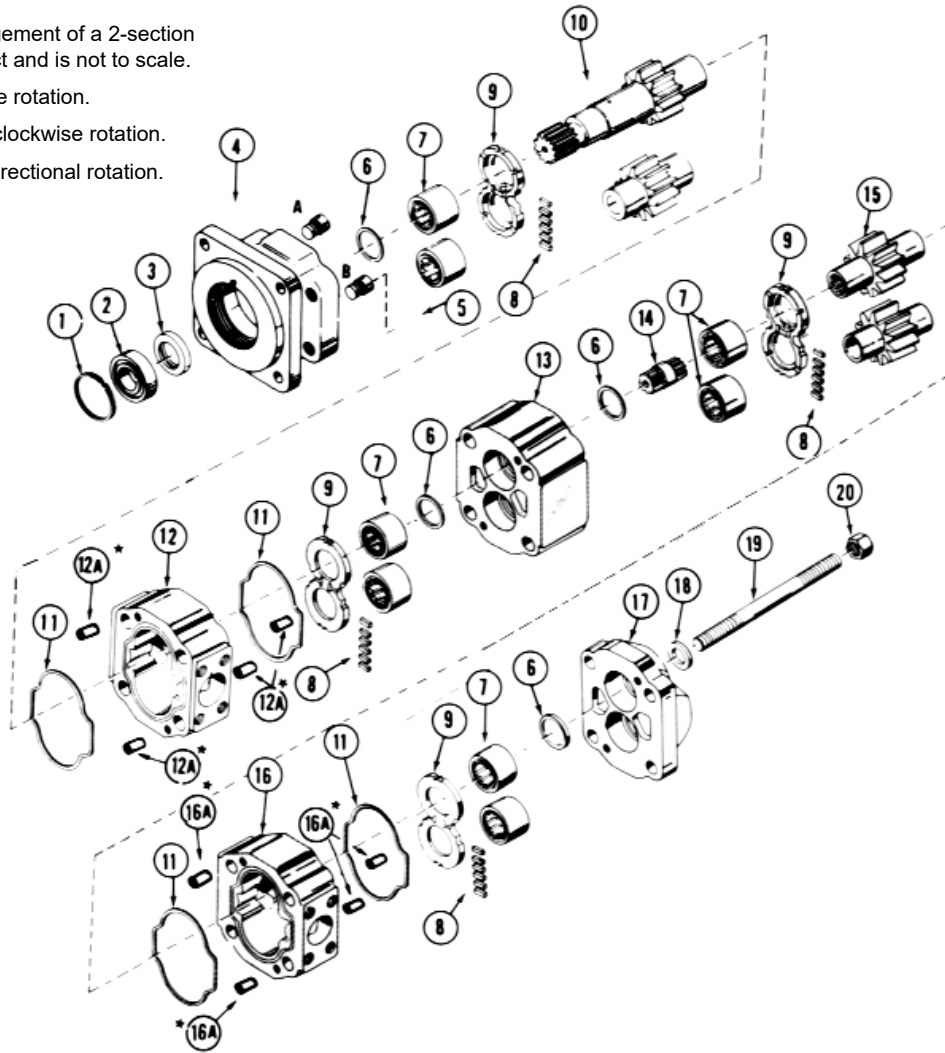
Note:

This page shows the typical arrangement of a 2-section unit. It may not be pictorially correct and is not to scale.

Plug 5 in position B gives clockwise rotation.

Plug 5 in position A gives counter-clockwise rotation.

Check s in both positions give bi-directional rotation.



Item	Description	Part #	Price
1	Snap Ring	CM-391-2686-065	\$14.16
2	Outboard Bearing	CM-391-0381-077	71.89
3	Seal	CM-391-2883-103	11.71
	Hi Pressure Seal (Motor)	CM-391-2883-115	58.68
4	Shaft End Cover	For reference only	N/A
5	Check Assemblies	CM-391-3681-001	6.36
	Plug	CM-391-2286-004	24.62
6	Ring Seals	CM-391-2585-009	22.79
7	Roller Bearings	CM-391-0381-905	51.13
8	Pocket Seals	580C-093	1.50
9	Thrust Plates	CM-391-2185-912	75.04
10	Integral Drive Shaft and Gear Set	For reference only	N/A

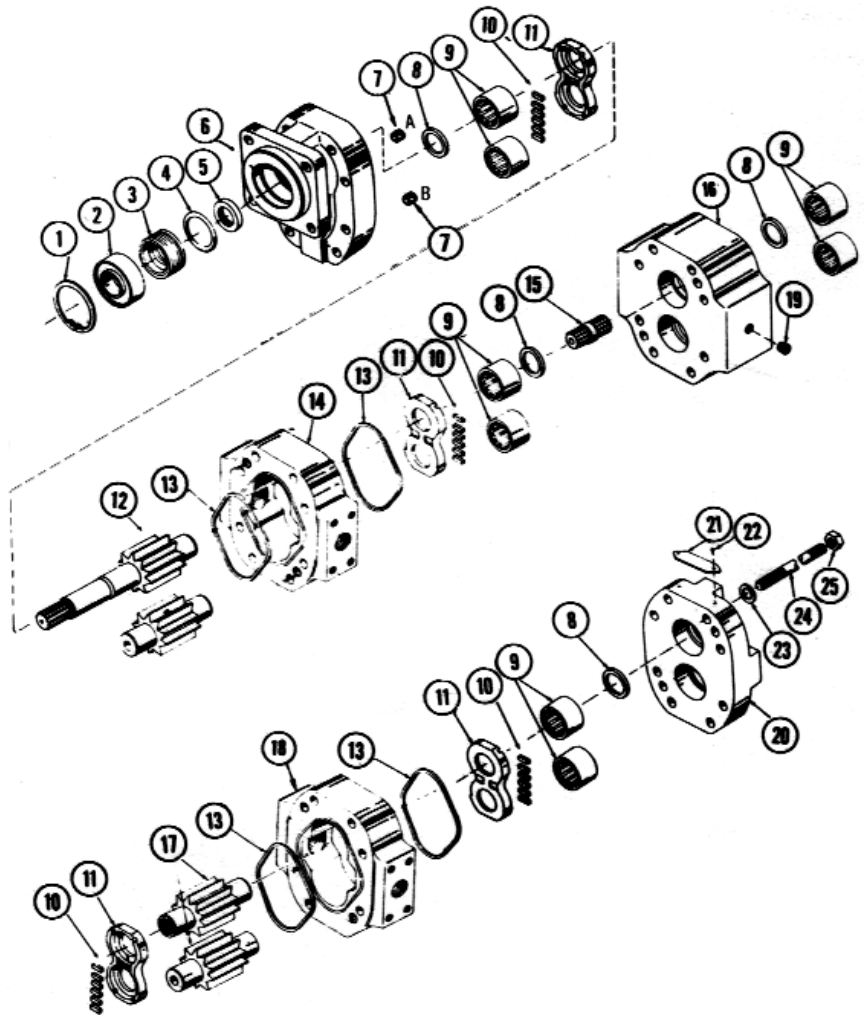
Item	Description	Part #	Price
11	Gasket Seals	CM-391-2884-021	\$1.30
12	Gear Housing	For reference only	N/A
12A	Dowel Pins	CM-391-2082-032	16.74
13	Bearing Carrier	For reference only	N/A
14	Connecting Shaft	For reference only	N/A
15	Matched Gear Set	For reference only	N/A
16	Gear Housing	For reference only	N/A
16A	Dowel Pins	CM-391-2082-032	16.74
17	Port End Cover	For reference only	N/A
18	Washers	For reference only	N/A
19	Studs or Cap Screws	For reference only	N/A
20	Nuts	For reference only	N/A

P75 PARTS BREAKDOWN



Note:

- Plug 7 in position B gives clockwise rotation.
- Plug 7 in position A gives counter-clockwise rotation.
- Check valves in both positions
- Give bi-directional rotation.



PUMP REPAIR KITS

Item	Description	Part #	Price
1	Snap Ring	CM-391-2686-025	\$11.21
2	Outboard Bearing	CM-391-0381-078	85.70
	Spacer	CM-391-3383-018	36.75
3	Seal Retainer	CM-391-2584-051	61.12
4	"O" Ring	CM-391-2881-457	0.66
5	Seal (Pump)	CM-391-2883-052	13.54
	Seal (Motor)	CM-391-2883-094	47.88
6	Shaft End Cover	For reference only	N/A
7	Check Assemblies	CM-391-3681-001	6.36
	Plug	CM-391-2286-004	24.62
8	Ring Seals	CM-391-2585-011	22.73
9	Roller Bearings	CM-391-0381-904	73.41
10	Pocket Seals	568C-125	1.41
11	Thrust Plates	CM-391-2185-920	185.67

Item	Description	Part #	Price
12	Integral Drive Shaft	For reference only	N/A
13	Gasket Seals	580-252	\$3.35
14	Gear Housing	For reference only	N/A
15	Connecting Shaft	For reference only	N/A
16	Bearing Carrier	For reference only	N/A
17	Matched Gear Set	For reference only	N/A
18	Gear Housing	For reference only	N/A
19	Plug	For reference only	N/A
20	Port End Cover	For reference only	N/A
21	Name Plate	For reference only	N/A
22	Drive Screws	For reference only	N/A
23	Washers	For reference only	N/A
24	Studs or Cap Screws	For reference only	N/A
25	Nuts	For reference only	N/A

P76 PARTS BREAKDOWN



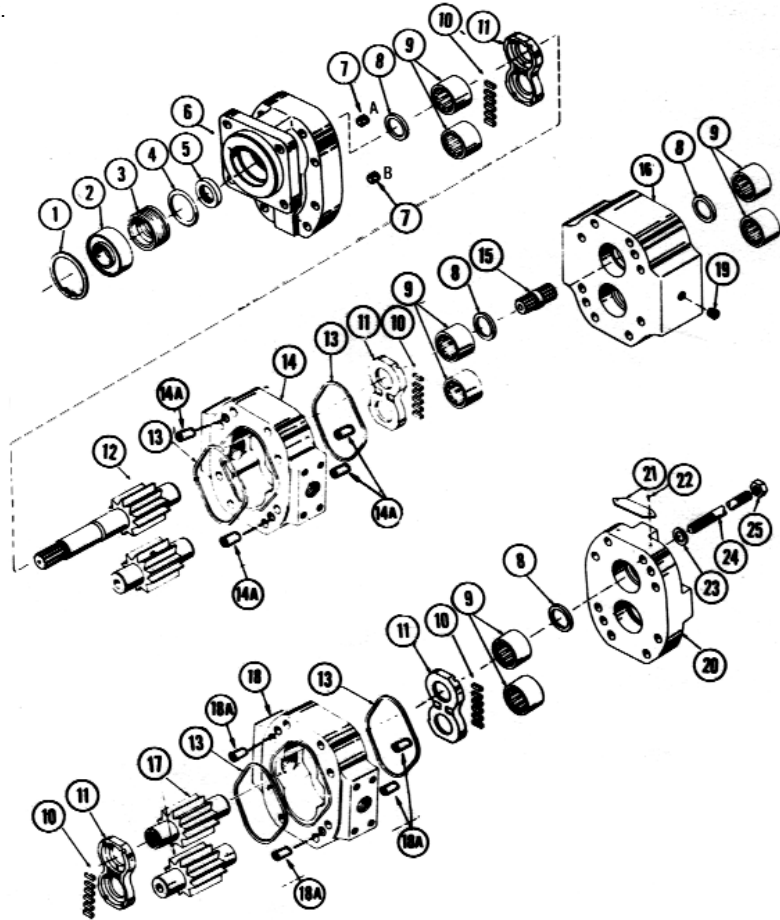
Note:

This page shows the typical arrangement of a 2-section unit. It may not be pictorially correct and is not to scale.

Plug 7 in position B gives clockwise rotation.

Plug 7 in position A gives counter-clockwise rotation.

Check valves in both positions give bi-directional rotation.



Item	Description	Part #	Price
1	Snap Ring	CM-391-2686-025	\$11.21
2	Outboard Bearing	CM-391-0381-078	85.70
3	Seal Retainer	CM-391-2584-051	61.12
4	"O" Ring	CM-391-2881-457	0.66
5	Seal (Pump)	CM-391-2883-052	13.54
	Seal (Motor)	CM-391-2883-094	47.88
6	Shaft End Cover	For reference only	N/A
7	Check Assemblies	CM-391-3681-001	6.36
	Plug	CM-391-2286-004	24.62
8	Ring Seals	CM-391-2585-011	22.73
9	Roller Bearings	CM-391-0381-904	73.41
10	Pocket Seals	568C-125	1.41
11	Thrust Plates	CM-391-2185-920	185.67
12	Integral Drive Shaft and Gear Set	For reference only	N/A
13	Gasket Seals	580-252	3.35

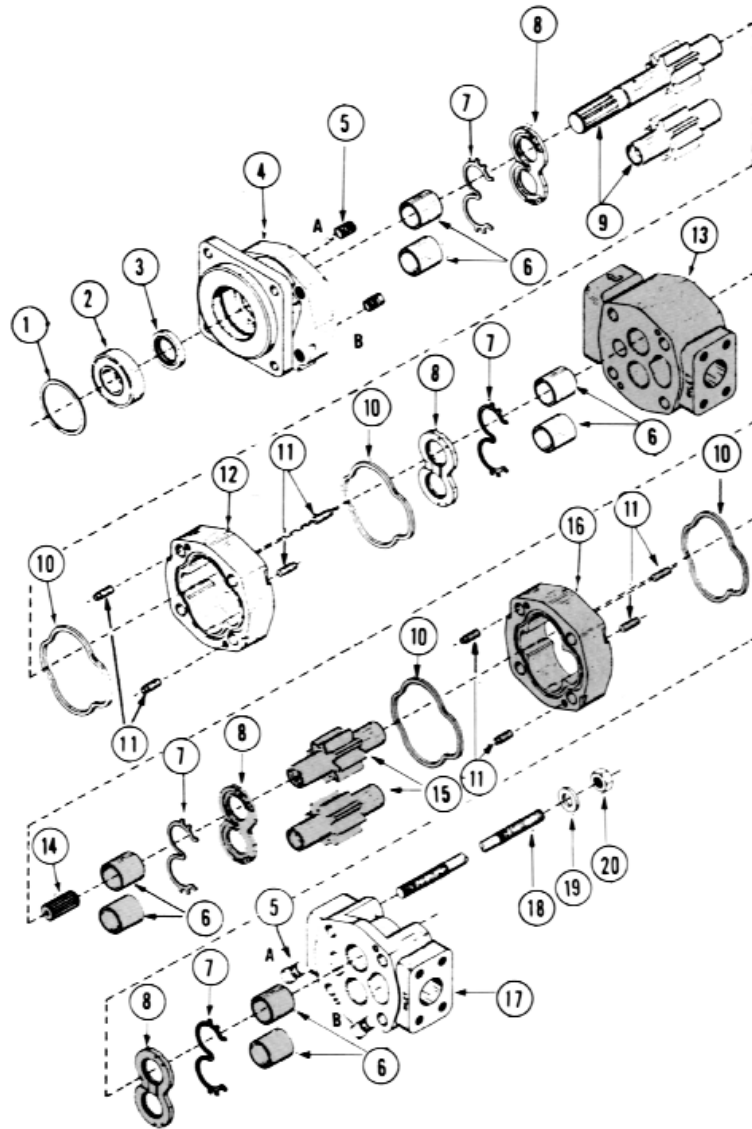
Item	Description	Part #	Price
14	Gear Housing	For reference only	N/A
14A	Dowel Pins	For reference only	N/A
15	Connecting Shaft	For reference only	N/A
16	Bearing Carrier	For reference only	N/A
17	Matched Gear Set	For reference only	N/A
18	Gear Housing	For reference only	N/A
18A	Dowel Pins	For reference only	N/A
19	Plug	For reference only	N/A
20	Port End Cover	For reference only	N/A
21	Name Plate	For reference only	N/A
22	Drive Screws	For reference only	N/A
23	Washers	For reference only	N/A
24	Studs or Cap Screws	For reference only	N/A
25	Nuts	For reference only	N/A

P330 PARTS BREAKDOWN



Note:

Plug 5 required in position A and B.



Item	Description	Part #	Price
1	Snap Ring	300-206	\$5.38
2	Outboard Bearing	CM-391-0381-040	48.95
3	Seal	CM-391-2883-058	4.23
4	Shaft End Cover	For reference only	N/A
5	Plug	CM-391-2286-004	24.62
6	Bushings	CM-391-0482-306	22.71
7	Channel Seal	CM-391-2885-065	18.51
8	Thrust Plates	CM-391-2185-956	162.22
9	Integral Drive Shaft and Gear Set	For reference only	N/A
10	Gasket Seal	580-242	1.43

Item	Description	Part #	Price
11	Dowel Pins (Hollow)	CM-391-2082-032	\$16.74
12	Gear Housing	For reference only	N/A
13	Bearing Carrier	For reference only	N/A
14	Connection Shaft	For reference only	N/A
15	Matched Gear Set	For reference only	N/A
16	Gear Housing	For reference only	N/A
17	Port End Cover	For reference only	N/A
18	Studs or Cap Screws	For reference only	N/A
19	Washers	For reference only	N/A
20	Nuts	For reference only	N/A

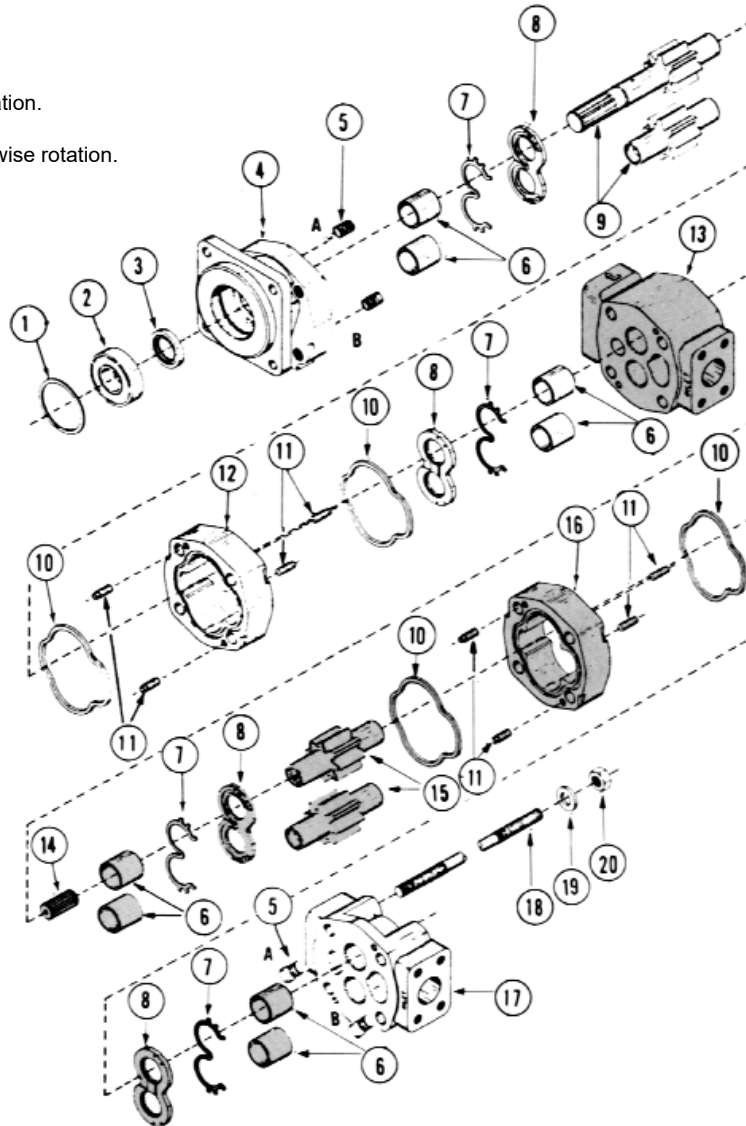
P350 PARTS BREAKDOWN



Note:

Plug 5 in position B gives clockwise rotation.

Plug 5 in position A gives counter-clockwise rotation.



Item	Description	Part #	Price
1	Snap Ring	WHM-283	\$17.54
2	Outboard Bearing	CM-391-0381-077	71.89
3	Seal	CM-391-2883-103	11.71
4	Shaft End Cover	For reference only	N/A
5	Plug	CM-391-2286-004	24.62
6	Bushings	CM-391-0482-308	61.21
7	Channel Seal	CM-391-2885-066	13.37
8	Thrust Plates	CM-391-2185-957	98.00
9	Integral Drive Shaft and Gear Set	For reference only	N/A
10	Gasket Seal	580-246	2.11

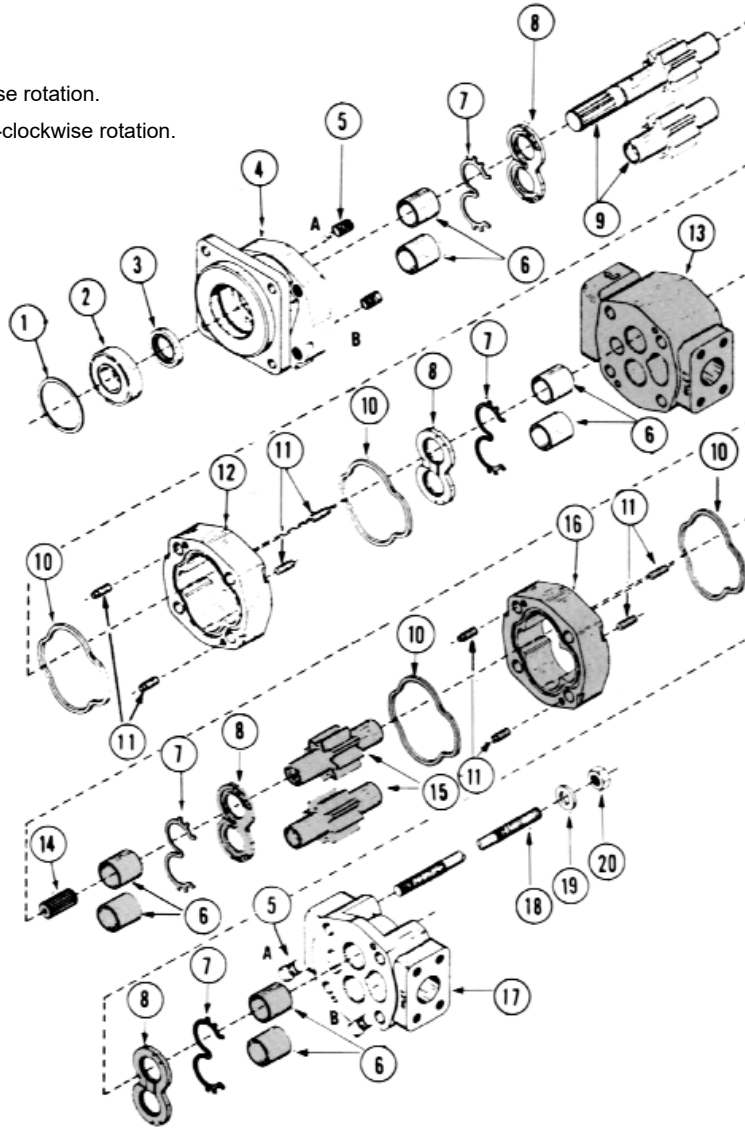
Item	Description	Part #	Price
11	Dowel Pins (Solid)	CM-391-2082-032	\$16.74
12	Gear Housing	For reference only	N/A
13	Bearing Carrier	For reference only	N/A
14	Connection Shaft	For reference only	N/A
15	Matched Gear Set	For reference only	N/A
16	Gear Housing	For reference only	N/A
17	Port End Cover	For reference only	N/A
18	Studs or Cap Screws	For reference only	N/A
19	Washers	For reference only	N/A
20	Nuts	For reference only	N/A

P365 PARTS BREAKDOWN



Note:

Plug 5 in position B gives clockwise rotation.
 Plug 5 in position A gives counter-clockwise rotation.



PUMP REPAIR KITS

Item	Description	Part #	Price
1	Snap Ring	300-315	\$14.96
2	Outboard Bearing	CM-391-0381-078	85.70
3	Seal	CM-391-2883-052	13.54
4	Shaft End Cover	For reference only	N/A
5	Plug	CM-391-2286-004	24.62
6	Bushings	CM-391-0482-307	59.15
7	Channel Seal	CM-391-2885-064	37.00
8	Thrust Plates	CM-391-2185-055	120.95
9	Integral Drive Shaft and Gear Set	For reference only	N/A
10	Gasket Seal	580-250	3.02

Item	Description	Part #	Price
11	Dowel Pins (Hollow)	CM-391-2082-032	\$16.74
12	Gear Housing	For reference only	N/A
13	Bearing Carrier	For reference only	N/A
14	Connection Shaft	For reference only	N/A
15	Matched Gear Set	For reference only	N/A
16	Gear Housing	For reference only	N/A
17	Port End Cover	For reference only	N/A
18	Studs or Cap Screws	For reference only	N/A
19	Washers	For reference only	N/A
20	Nuts	For reference only	N/A

Parker / Gresen Pump Repair Kits

Contents	Page
Gear Pump Parts	
• P16, TP16 - 2 Place, TP16 - 3 Place	1160
• PVP16, CP16, 20	1160
• R20, TP20 - 2 Place, TP20 - 3 Place	1161
• M20 Motor	1161
Assembly Torque Values	1162
Overhung Load Data	1162
Vickers Pump Repair Kits	1163 - 1164

P16 PUMP PARTS



Part #	Description	Pump Model	Price
TY-17098	Dowel pins	All	\$9.34
TY-15419	Service kit	All	281.43
TY-27163	Pressure plate	All	112.69
TY-14881	Shaft Seal	All	17.24

TP16 PUMP PARTS 2 PLACE



Part #	Description	Pump Model	Price
TY-17098	Dowel pins	All	\$9.34
TY-15623	Service kit	All	82.23
TY-27163	Pressure plate	All	112.69
TY-14881	Shaft Seal	All	17.24

TP16 PUMP PARTS 3 PLACE



Part #	Description	Pump Model	Price
TY-17098	Dowel pins	All	\$9.34
TY-15609	Service kit	All	196.47
TY-27163	Pressure plate	All	112.69
TY-14881	Shaft Seal	All	17.24

PVP16 PUMP PARTS



Part #	Description	Pump Model	Price
TY-17098	Dowel pins	All	\$9.34
TY-15419	Service kit	All	281.43
TY-27163	Pressure plate	All	112.69
TY-14881	Shaft Seal	All	17.24

CP16 PUMP PARTS



Part #	Description	Pump Model	Price
TY-17098	Dowel pins	All	\$9.34
TY-15419	Service kit	All	281.43
TY-27163	Pressure plate	All	112.69
TY-14881	Shaft Seal	All	17.24

SERIES 20 PUMP PARTS



Part #	Description	Pump Model	Price
TY-15629	Soft goods service kit - Shaft #4	All	\$86.57
TY-15630	Soft goods service kit -Shaft #1,2,3,5,6,7	All	204.92
TY-14145	Shaft seal - Shaft #1,2,3,5	All	20.94
TY-14416	Shaft seal - Shaft #4	All	80.25

R20 PUMP PARTS



Part #	Description	Pump Model	Price
TY-14662	Soft goods service kit - Shaft #1,2,3,5,6	All	\$258.44
TY-14305	Soft goods service kit - Shaft #4	All	114.37
TY-14145	Shaft seal - Shaft #1,2,3,5	All	20.94
TY-14416	Shaft seal - Shaft #4	All	80.25

TP20 PUMP PARTS 2 PLACE



Part #	Description	Pump Model	Price
TY-22195	Pressure plate	20200—20450	\$108.30
TY-14145	Shaft Seal	All	20.94

TP20 PUMP PARTS 3 PLACE



Part #	Description	Pump Model	Price
TY-22195	Pressure plate	20200—20450	\$108.30
TY-14145	Shaft Seal	All	20.94

M20 MOTOR PARTS



Part #	Description	Pump Model	Price
TY-14306	Soft goods service kit - Shaft #1,2,3,5,6	All	\$246.59
TY-15483	Shaft seal - Shaft #1,2,3,5	All	165.18

ASSEMBLY TORQUE VALUES



Assembly Torque Values

NOTES:

All torque values are based on a lubricated condition. If capscrews and/or nuts are dirty, they must be washed, blown dry, and re-oiled prior to installation. All studs must be washed and blown dry—DO NOT re-oil.

The following torque values are to be used in the assembly of pumps and motors:

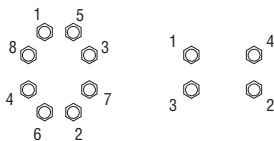
Series	Size	Torque (Ft.-Lbs)
P1	5/16 "	20-25
P12	M10	20-25
P14, FP14, TFP14, TP16	3/8 "	30-35
SSFP14	1/2 "	80-90
P2	3/8 "	30-35
P16, HP16, TP16	1/2 "	70-75
FPR16	1/2 "	80-90
FP16	5/8 "	160-175
TFP16	5/8 "	160-175
SSFP16	5/8 "	160-175
DP16	1/2 "	70-75
DP16 (valve)	3/8 "	30-35
FP17	5/16 "	18-20
20, M20, FP20	1/2 "	80-90
P6, FM6, TM6	1/2 "	80-90
25, M25, FP25	5/8 "	160-175
FP257, FPW257	5/8 "	160-175
HP7, HM7, FP7	3/4 "	240-250
SL7	5/8 "	160-175
HP8, HM8, FP8, SL8	3/4 "	240-250
PM23	5/8 "	180-190
DPH	5/8 "	180-190
HILLSDALE	3/8 "	40-45
HILLSDALE	7/16 "	50-55
T101/102	5/8 "	195-200
MGG/PGG (body)	5/16 "	21-24
MGG/PGG (flange)	#10	46-54 (in.-lb.)

NOTES:

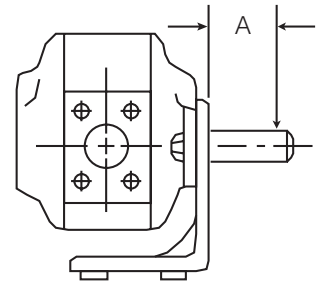
For "Mixed" Series, ie: TP25450-20200-P14-45A, use torque values corresponding to each section: 25 Series for the 25450 (160-175), 20 Series for the 20200 (80-90), and P14 Series for the P14-45 (30-35). Verify stud/capscrew sizes.

Torque value should be divided into two or three equal values, and applied in stages. e.g. P16 should be first torqued to 35 ft. lbs. then torqued to the final value of 70-75 ft. lbs.

While torquing the pump please follow pattern as shown below:



Overhung Load Data



PUMP SIZE	Dim. "A"	Allowable Load "L"	Allowable Operating Pressure
P12-17	1.00 "	100 Lbs..	2000 PSI
-22	"	"	"
-28	"	"	"
-34	"	"	"
-40	"	"	"
-45	"	"	"
P14-42	1.00 "	200 Lbs..	2000 PSI
-59	"	"	"
-74	"	"	"
-91	"	"	"
-108	"	"	"
P16-45	1.00 "	390 Lbs..	2200 PSI
-65	"	"	2200 PSI
-85	"	"	2100 PSI
-100	"	"	2100 PSI
-115	"	"	2000 PSI
-150	"	"	1800 PSI
-180	"	"	1700 PSI
-200	"	"	1600 PSI
20150	1.50 "	1050 Lbs..	2000 PSI
20200	"	"	"
20250	"	"	"
20300	"	"	"
20350	"	"	"
20400	"	"	"
20450	"	"	"
25500	1.50 "	1050 Lbs..	1800 PSI
25550	"	"	1600 PSI
25600	"	"	1350 PSI
25770	"	"	1150 PSI
25950	"	"	900 PSI
HP7	1.50 "	1300 Lbs..	3000 PSI
HP8	1.50 "	1300 Lbs..	2800 PSI

Allowable Load "L" must not be exceeded.

When Belt Drive is used, "L" must include both belt pre-tension and torque load.

VICKERS PUMP REPAIR KITS

VQ SEAL VQ SEAL KITS

VICKERS PART #	DESCRIPTION	LIST PRICE
20 VQ		
VI-433762	20 Seal Pack (4 Req'd)	\$11.75
25 VQ		
VI-920021	Single VQ Seal Kit	83.87
VI-920023	Single VQ Seal Kit - Viton	127.66
VI-920022	Double VQ Seal Kit	93.95
VI-920024	Double VQ Seal Kit - Viton	148.94
VI-433764	Seal Pack (4 Req'd)	18.47
35 VQ		
VI-920015	Single VQ Seal Kit	87.24
VI-920029	Single VQ Seal Kit - Viton	137.48
VI-920016	Double VQ Seal Kit	95.62
VI-920030	Double VQ Seal Kit - Viton	157.12
VI-433766	Seal Pack (4 Req'd)	15.10
45 VQ		
VI-920025	Single VQ Seal Kit	90.01
VI-920027	Single VQ Seal Kit - Viton	150.57
VI-920026	Double VQ Seal Kit	96.67
VI-920028	Double VQ Seal Kit - Viton	160.38
VI-433768	Seal Pack (4 Req'd)	16.37
2520 VQ		
VI-920040	Single VQ Seal Kit	119.47
VI-920042	Single VQ Seal Kit - Viton	141.77
VI-920041	Double VQ Seal Kit	122.45
VI-920043	Double VQ Seal Kit - Viton	217.67

VICKERS PART #	DESCRIPTION	LIST PRICE
3520 VQ		
VI-920048	Single VQ Seal Kit	\$127.49
VI-920050	Single VQ Seal Kit - Viton	268.46
VI-920049	Double VQ Seal Kit	139.25
VI-920051	Double VQ Seal Kit - Viton	217.67
3525 VQ		
VI-920056	Single VQ Seal Kit	127.49
VI-920058	Single VQ Seal Kit - Viton	209.48
VI-920057	Double VQ Seal Kit	135.85
VI-920059	Double VQ Seal Kit - Viton	242.22
4520 VQ		
VI-920060	Single VQ Seal Kit	132.56
VI-920062	Single VQ Seal Kit - Viton	224.21
VI-920061	Double VQ Seal Kit	142.38
VI-920063	Double VQ Seal Kit - Viton	247.13
4525 VQ		
VI-920068	Single VQ Seal Kit	140.92
VI-920070	Single VQ Seal Kit - Viton	240.59
VI-920069	Double VQ Seal Kit	148.94
VI-920071	Double VQ Seal Kit - Viton	261.86
4535 VQ		
VI-920072	Single VQ Seal Kit	137.48
VI-920074	Single VQ Seal Kit - Viton	250.39
VI-920073	Double VQ Seal Kit	148.94
VI-920075	Double VQ Seal Kit - Viton	266.77

VQ CARTRIDGE KITS 10 VANE VQ SERIES

VITON SEALS

GPM	VICKERS PART #	LIST PRICE
20 VQ		
5	VI-421588	\$492.34
7	VI-421589	492.34
11	VI-421590	492.34
12	VI-421591	864.74
14	VI-421592	492.34
25 VQ		
12	VI-421570	820.25
14	VI-421571	477.72
17	VI-421572	517.78
19	VI-421573	715.80
21	VI-421574	715.80

GPM	VICKERS PART #	LIST PRICE
35 VQ		
21	VI-421582	\$603.56
25	VI-421583	603.56
30	VI-421584	603.56
35	VI-421585	603.56
38	VI-421586	603.56
45 VQ		
42	VI-419511	702.25
47	VI-421954	702.25
50	VI-419510	702.25
67	VI-421955	702.25
60	VI-419509	795.30

V & MOTOR SEAL KITS

VICKERS PART #	DESCRIPTION	PRICE
25 V/30 V		
VI-922850	Seal Kit	\$40.26
VI-919656	Seal Kit - Viton	157.31
35 V		
VI-922851	Seal Kit	52.37
VI-919262	Seal Kit - Viton	193.12
45 V		
VI-919850	Seal Kit	49.08
VI-919632	Seal Kit - Viton	68.73
50 V		
VI-922853	Seal Kit	96.57
2520 V		
VI-922856	Seal Kit	63.83
VI-919303	Seal Kit - Viton	224.21
3520 V		
VI-922859	Seal Kit	70.45
VI-919304	Seal Kit - Viton	255.31
3525 V		
VI-922862	Seal Kit	70.45
VI-919305	Seal Kit - Viton	276.57
4520 V		
VI-922863	Seal Kit	68.73
VI-919616	Seal Kit - Viton	374.78
4525 V		
VI-922865	Seal Kit	70.36
VI-919345	Seal Kit - Viton	333.87

VICKERS PART #	DESCRIPTION	PRICE
4535 V		
VI-922866	Seal Kit	\$80.52
VI-919346	Seal Kit - Viton	350.24
25 M		
VI-923157	Seal Kit	72.13
35 M		
VI-923163	Seal Kit	98.98
45 M		
VI-923106	Seal Kit	100.66
50 M		
VI-923096	Seal Kit	154.34
V 10		
VI-923548	Seal Kit	57.28
V 110		
VI-922793	Seal Kit	36.01
V 210		
VI-922732	Seal Kit	45.29
V 210/V 20		
VI-922733	Seal Kit	37.12
V 2010		
VI-923577	Seal Kit	57.04
V 2020		
VI-923174	Seal Kit	50.32

PISTON PUMP SEAL KITS

Part #	Description	Price
PVH98/106		
VI-02-102264	Seal Kit	\$241.08
PVH131/141		
VI-02-102266	Seal Kit	209.25
PVM131/141		
VI-02-346168	Seal Kit	512.98

SHAFT SEALS AND BEARINGS

SHAFT SEALS

VICKERS PART #	DESCRIPTION	SERIES	PRICE
VI-229235	Primary	V20	\$23.48
VI-229236	Primary	V20	36.92
VI-394976	Primary	25130	18.47
VI-429286	Primary Viton	25130	28.53
VI-429283	Secondary	25130	26.85
VI-394973	Primary	35V	25.16
VI-429284	Primary Viton	35VV	25.27
VI-429281	Secondary	35V	30.20
VI-394974	Primary	45V	18.47
VI-429285	Primary Viton	45VV	40.45
VI-429282	Secondary	45VS	29.35

BEARINGS

VICKERS PART #	DESCRIPTION	SERIES	PRICE
VI-98574	Standard	V20	\$12.60
VI-1705	Standard	25V	31.86
VI-232750	Heavy Duty	26131	108.01
VI-38441	Standard	35V	67.10
VI-131812	Standard	45V	54.01

Equipment manufacturer's names, part numbers and descriptions are used for reference purposes only. We do not imply that any part shown is the product of these manufacturers.

Char-Lynn, Parker and White Motor Repair Kits

Contents	Page
Char-Lynn Seal Kits	1166
Parker Motor Repair Kits	1166
White RS Series	1167
• Motor Breakdown & Components	1167
White RE Series	1168
• Motor Breakdown & Components	1168
• 72 mm Bearing Motor Breakdown	1169
• 1.5" Bearing Motor Breakdown & Components	1170
• 1.5" Bearing Wheel Motor Breakdown & Components	1171
• 1.5" Bearing SAE "A" Style Flange Motor Breakdown & Components	1172
• 125 mm Bearing Motor Breakdown & Components	1173
• 12 Housing Brake Motor Breakdown & Components	1174
White DR Series	1175
• Motor Breakdown & Components	1175

CHAR-LYNN SEAL KITS

CHAR-LYNN Model Identification

XXX - XXX - XXX
 Product - Product - Engineering
 Line Identification Change Code

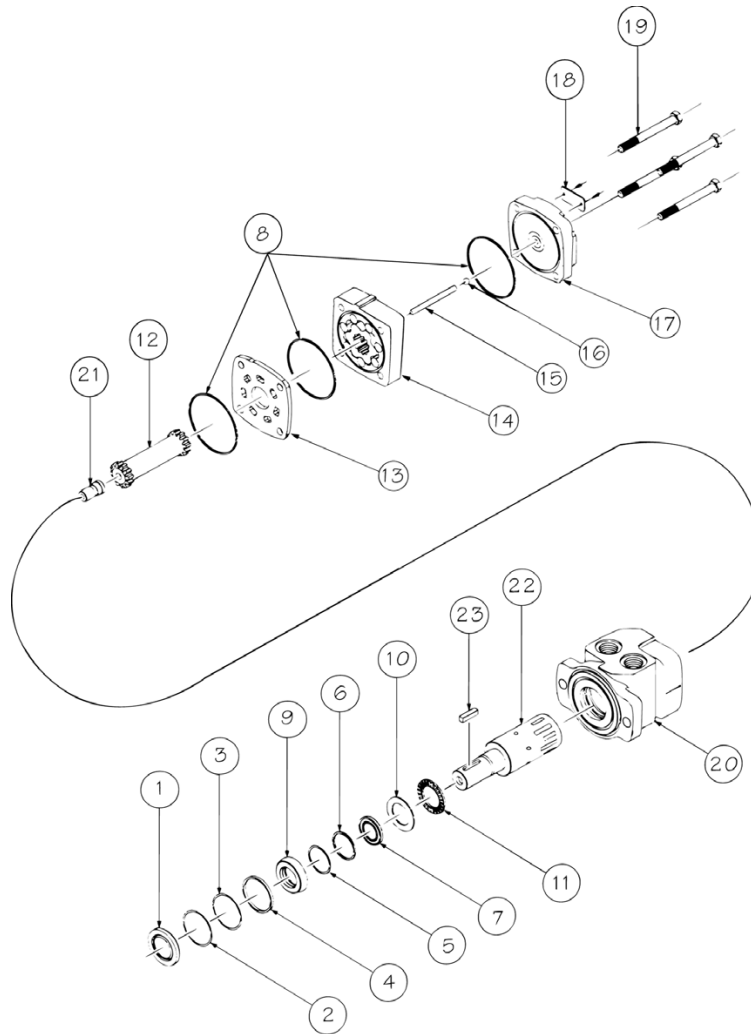
OEM Kit Number	Series	Description	Model Number	List Price
CHR-6405	10,000 Note: The -002 and -003 bearingless motors use 4 seals while the -004 motor uses 3 seals. Note: This kit is not applicable to 10,000 series two speed motors.	Motor Seal Kit	119-XXXX-002;-003;-004 120-XXXX-002;-003;-004 121-XXXX-002;-003;-004	\$178.44
CHR-6406	10,000 Note: Applicable to 10,000 series two speed motors.	Shaft Seal Kit	119-XXXX-001;-002;-003;-004 120-XXXX-002;-003;-004	192.29
CHR-60023	H A	Buna N Seal Kit	101-XXXX-007 130-XXXX-001	156.75
CHR-60026	S	Buna N Seal Kit	103-XXXX-007	156.67
CHR-60036	H	Buna N Seal Kit	101-XXXX-005	122.68
CHR-60042	S	Buna N Seal Kit	103-XXXX-006	157.95
CHR-60533	S	Buna N Seal Kit	103-XXXX-008	150.82
CHR-60539	S	Buna N Seal Kit	103-XXXX-009;-010	180.06
CHR-60540	A H	Buna N Seal Kit	130-XXXX-002;-003 101-XXXX-008;-009	171.97
CHR-61104	6000	Shaft Seal Kit	112-XXXX-002;-003;-004 113-XXXX-002;-003;-004	314.68
CHR-61105	6000	Rear Motor Kit	112-XXXX-002;-003;-004 113-XXXX-002;-003;-004	105.50
CHR-61234	4000	Rear Motor Kit	109-XXXX-004; 110-XXXX-004	106.00
	4000	Motor Seal Kit	109-XXXX-004; 110-XXXX-004	
CHR-61236	4000	Shaft Seal Kit	109-XXXX-004; 110-XXXX-004	167.92
CHR-61237	6000	Shaft Seal Kit	112-XXXX-005; -006	166.99
CHR-61238	6000	Rear Motor Kit	113-XXXX-005; -006	130.84
CHR-61252	2000 Note: Not for 106- Bearingless motors.	Buna N Seal Kit	104-XXXX-003;-004;-005 105-XXXX-003;-004;-005	241.14
CHR-61258	2000	Buna N Seal Kit	104-XXXX-006; 105-XXXX-006	249.00
CHR-61259	2000 Note: Does not fit 106-XXXX-003;-004;-005 motors	Buna N Seal Kit	106-XXXX-006	117.73
CHR-61281	4000	Shaft Seal Kit	109-XXXX-006; 110-XXXX-006; 111-XXXX-006	272.57
CHR-64417	Steering unit with external shaft	Buna N Seal Kit		95.93
CHR-64418	Steering unit with internal spline	Buna N Seal Kit		183.53
	2000 Series -006 Design High Pressure Shaft Seal	Buna N Seal Kit		

Hercules Brand Kit Number	List Price
CHR-6405-HSP	\$89.32
CHR-6406-HSP	49.72
CHR-60023-HSP	93.02
CHR-60026-HSP	69.98
CHR-60036-HSP	40.77
CHR-60042-HSP	96.41
CHR-60533-HSP	60.13
CHR-60539-HSP	80.96
CHR-60540-HSP	74.71
CHR-61104-HSP	115.33
CHR-61105-HSP	68.71
CHR-61234-HSP	63.79
CHR-61235-HSP	76.94
CHR-61236-HSP	100.59
CHR-61237-HSP	101.80
CHR-61238-HSP	91.59
CHR-61252-HSP	144.83
CHR-61258-HSP	145.40
CHR-61259-HSP	62.66
CHR-61281-HSP	114.76
CHR-64417-HSP	35.38
CHR-64418-HSP	34.84
CHR-9900462	131.39

PARKER MOTOR REPAIR KITS

KIT #	DESCRIPTION	PRICE
PKH-SK000090	AFTERMARKET BUNA MOTOR SEAL KIT - TB (MG), TC, TE (MF) SERIES MOTORS	\$129.60
PKH-SK000091	AFTERMARKET FKM MOTOR SEAL KIT - TB (MG), TC, TE (MF) SERIES MOTORS	170.10
PKH-SK000092	AFTERMARKET BUNA MOTOR SEAL KIT - TF (MB), TG (ME), SERIES MOTORS	129.60
PKH-SK000093	AFTERMARKET FKM MOTOR SEAL KIT - TF (MB), TG (ME) SERIES MOTORS	170.10
PKH-SK000115	AFTERMARKET BUNA MOTOR SEAL KIT - TH SERIES MOTORS	168.75
PKH-SK000170	110 Series LSHT Hydraulic Motor Main Shaft Seal Replacement Kit	154.10

STANDARD RS SERIES MOTOR



STANDARD SEAL KITS

KIT #	DESCRIPTION	ITEMS	NET PRICE
WTE-200222001	PS-222001	1 - 10	\$271.62
WTE-200222002	PS-222002	1 - 8	193.01
WTE-200222003	PS-222003	9 - 10	73.40

DESCRIPTION	EXPLODED VIEW ITEM #
DUST SEAL	1
SPLIT WIRE RING	2
METAL BACKUP SHIM	3
HIGH PRESSURE SEAL	4
METAL BACKUP SHIM	5
TEFLON BACKUP SHIM	6
SHAFT SEAL	7
BODY SEALS (3)	8
SEAL CARRIER	9
THRUST WASHER	10

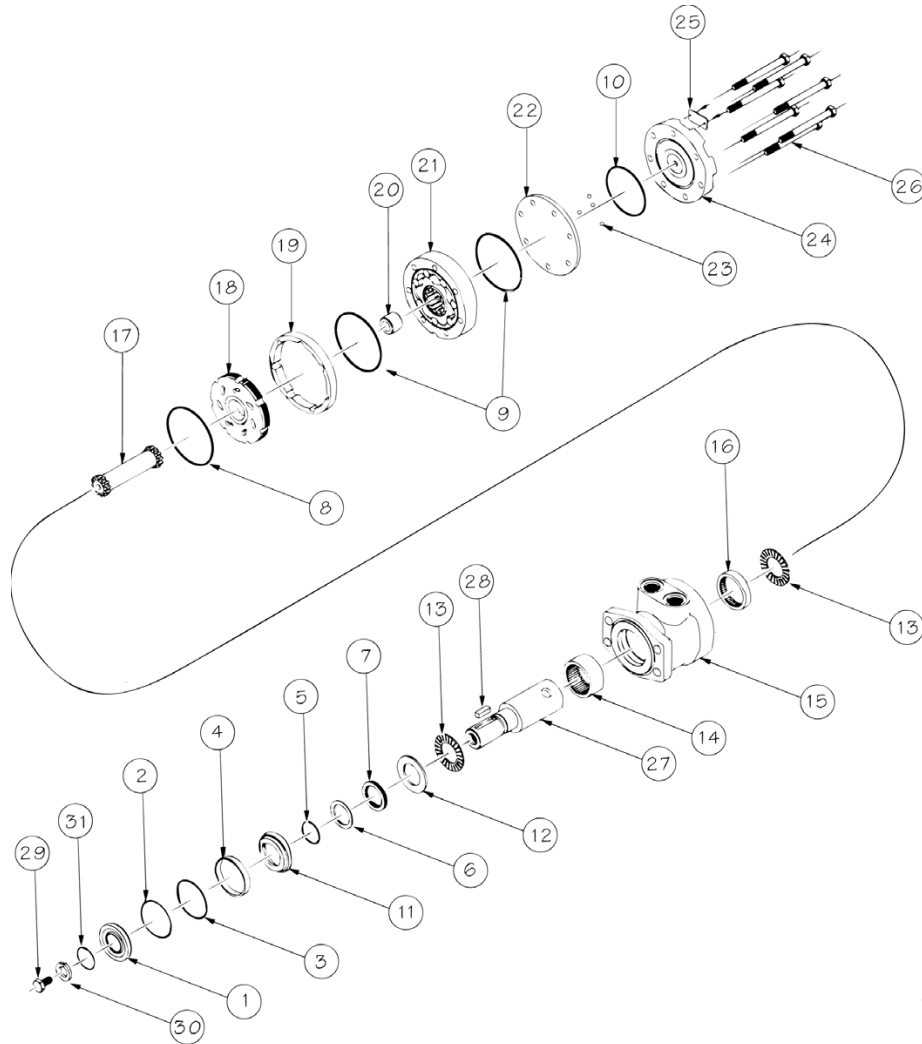
HOUSING TYPES

DESCRIPTION	DESCRIPTION
#01 4-HOLE W/ 1/2" NPT	#18 4-HOLE REAR MOUNT W/ 9/16" O-RING
#02 4-HOLE W/ 7/8" O-RING	#20 2-HOLE ALIGNED W/ 1/2" BSP.F
#03 2-HOLE W/ 1/2" NPT	#21 4-HOLE METRIC MOUNT W/ 1/2" BSP.F
#04 2-HOLE W/ 7/8" O-RING	#25 4-HOLE METRIC MNT. W/ MANIFOLD PORTS
#05 4-HOLE W/ MANIFOLD PORTS	#26 2-HOLE METRIC MNT. W/ MANIFOLD PORTS
#06 2-HOLE W/ MANIFOLD PORTS	#27 2-HOLE W/OFFSET BSP.F AND .200 PILOT
#07 2-HOLE W/ OFFSET 1/2" BSP.F	#29 2-HOLE W/OFFSET MNFLD. AND .200 PILOT
#09 2-HOLE W/ OFFSET MNFLD. W/ 1/2" BSP.F	#30 2-HOLE W/OFFSET 7/8" O-RING & RLF. PORT
#10 2-HOLE W/ALIGNED 1/2" BSP.F	#32 4-HOLE W/OFFSET 7/8" O-RING & RLF. PORT
#11 6-HOLE W/ 7/8" O-RING	#34 2-HOLE W/ 7/8" O-RING
#12 4-HOLE W/ MILLED MANIFOLD	#37 2-HOLE W/ 1/2" BSP.F W/ RLF PRT & .200 PLT.
#13 2-HOLE W/ MILLED MANIFOLD	#40 2-HOLE W/ALIGNED 1/2" BSP.F & .200 PILOT
#14 6-HOLE W/ 1/2" NPT	#46 2-HOLE W/METRIC MNFLD. MNT. & .200 PILOT
#17 2-HOLE MLD. & SPTFCD. W/OFST. 1/2" BSP.F	

STANDARD RE SERIES MOTOR



WHITE MOTORS



STANDARD SEAL KITS

KIT #	DESCRIPTION	ITEMS	NET PRICE
WTE-500444001	PE-444001	1 - 12	\$155.06
WTE-500444002	PE-444002	1 - 10	235.40
WTE-500444003	PE-444003	11 - 12	225.36

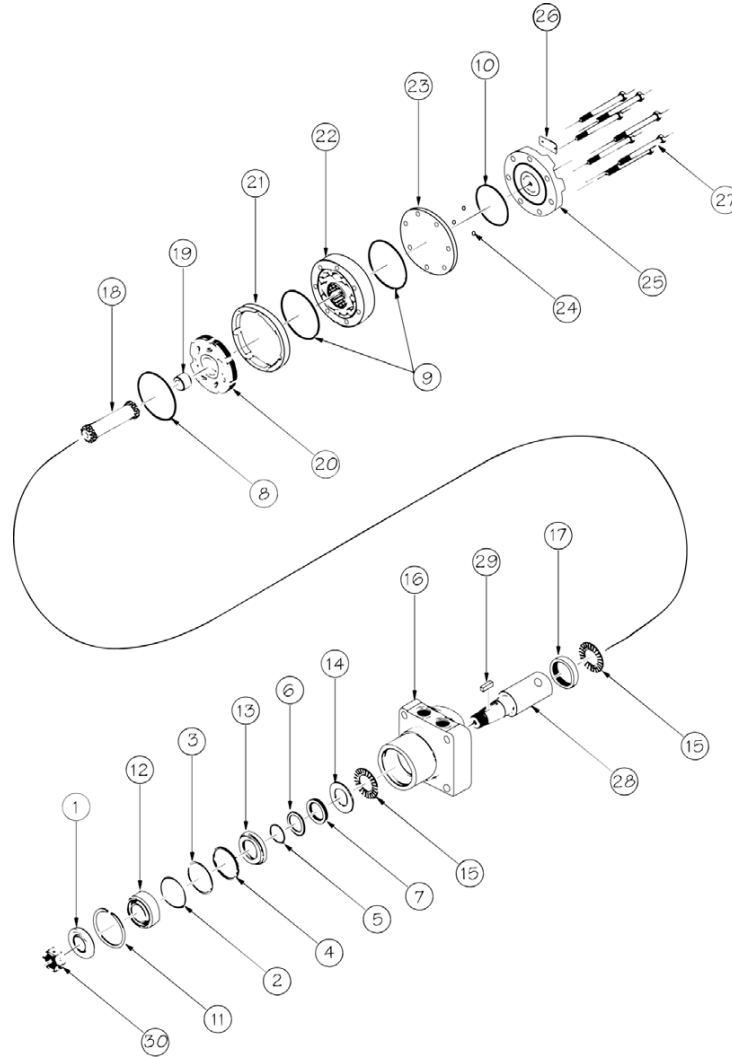
DESCRIPTION	EXPLODED VIEW ITEM #
DUST SEAL	1
SPLIT WIRE RING	2
METAL BACKUP SHIM	3
HIGH PRESSURE SEAL	4
METAL BACKUP SHIM	5
TEFLON BACKUP SHIM	6
SHAFT SEAL	7
REAR HOUSING SEAL	8
BODY SEALS (2)	9
ENDCOVER SEAL	10
SEAL CARRIER	11
THRUST WASHER	12

HOUSING TYPES

DESCRIPTION
#02 4-HOLE W/O PILOT & RS 4-HOLE BLT PTRN.
#05 SETBACK W/ 1/2" BSP.F
#06 4-HOLE SAE "A" STYLE W/ 1/2" BSP.F
#07 SETBACK W/ 7/8" O-RING
#08 4-HOLE SAE "A" STYLE W/ 7/8" O-RING
#11 SETBACK W/ BRAKE MOUNT W/ 7/8" O-RING
#16 2-HOLE SAE "A" STYLE W/ 7/8" O-RING
#17 2-HOLE SAE "A" STYLE W/ 1/2" BSP.F

DESCRIPTION
#18 6-HOLE SAE "A" STYLE W/ 7/8" O-RING
#19 6-HOLE SAE "A" STYLE W/ 1/2" BSP.F
#35 SETBACK W/RELIEF PRT W/ 1/2" BSP.F
#36 4-HOLE SAE "A" W/RLF. PRT & 1/2" BSP.F
#37 SETBACK W/RLF. PORT & 7/8" O-RING
#38 4-HOLE SAE "A" W/RLF. PRT & 7/8" O-RING
#48 6-HOLE SAE "A" W/RLF. PRT & 7/8" O-RING
#49 6-HOLE SAE "A" W/RLF. PRT & 1/2" BSP.F

RE 72 MM BEARING MOTOR



STANDARD SEAL KITS

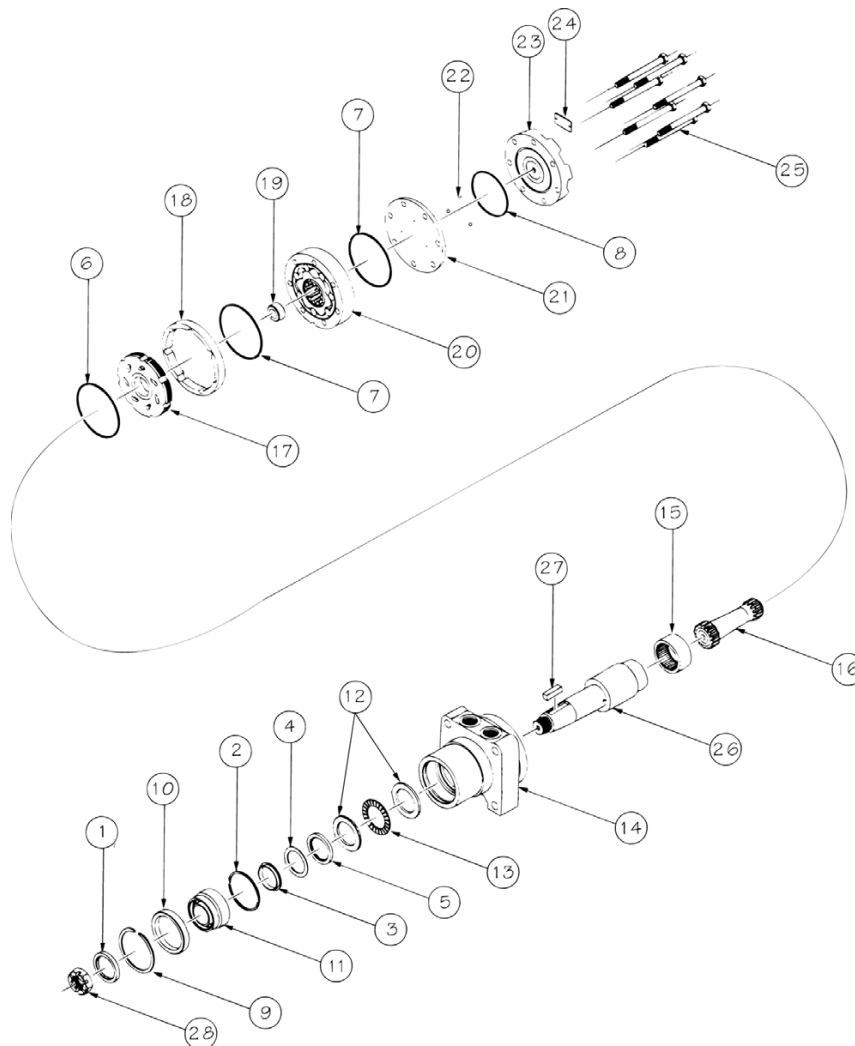
KIT #	DESCRIPTION	ITEMS	PRICE
WTE-500444001	PE-444001	1 - 12	\$155.06
WTE-500444002	PE-444002	1 - 10	235.40
WTE-500444003	PE-444003	11 - 12	225.36

DESCRIPTION	EXPLODED VIEW ITEM #
DUST SEAL	1
SPLIT WIRE RING	2
METAL BACKUP SHIM	3
HIGH PRESSURE SEAL	4
METAL BACKUP SHIM	5
TEFLON BACKUP SHIM	6
SHAFT SEAL	7
REAR HOUSING SEAL	8
BODY SEALS (2)	9
ENDCOVER SEAL	10
SEAL CARRIER	11
THRUST WASHER	12

HOUSING TYPES

DESCRIPTION
#09 SETBACK W/ 7/8" O-RING
#14 SETBACK W/ 1/2" BSP.F
#15 SETBACK W/TURNED PILOT W/ 7/8" O-RING
#22 SETBACK W/C" FRONT MNT. W/ 7/8" O-RING
#24 SETBACK W/C" FRONT MNT. W/ 1/2" BSP.F
#39 SETBACK W/RELIEF PORT W/ 7/8" O-RING
#44 SETBACK W/RELIEF PORT W/ 1/2" BSP.F

RE 1.5" BEARING MOTOR



STANDARD SEAL KITS

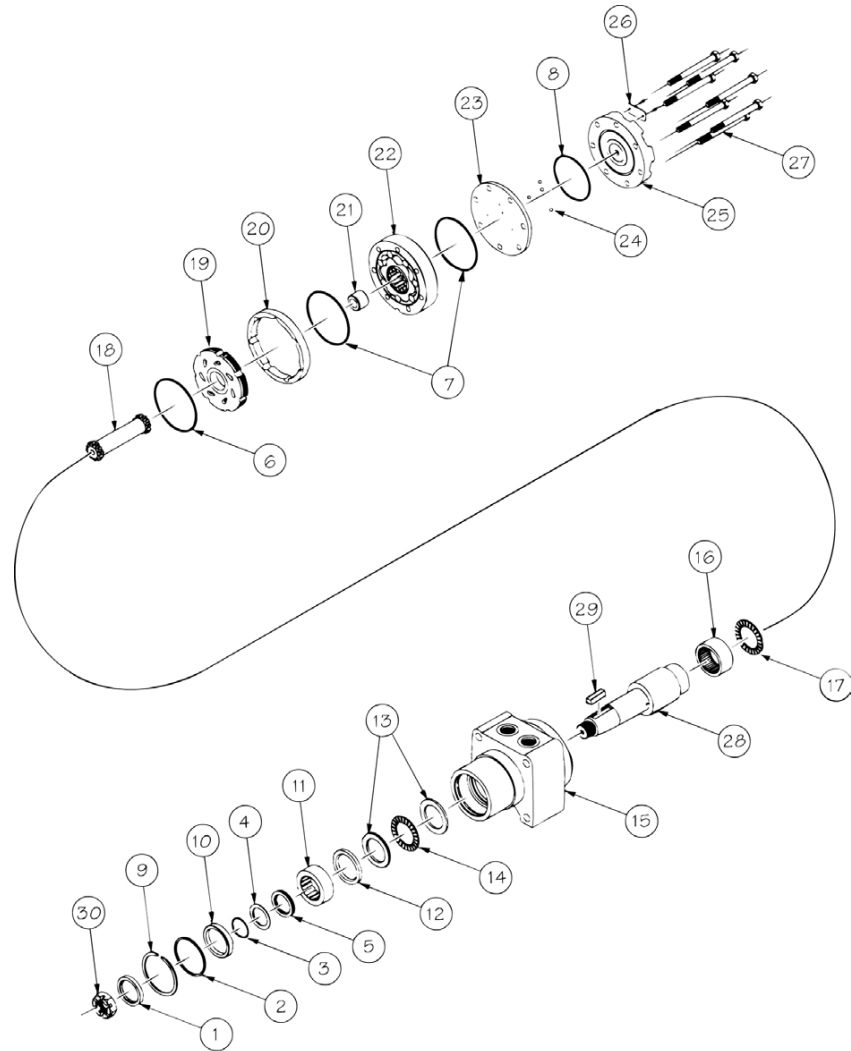
KIT #	DESCRIPTION	ITEMS	NET PRICE
WTE-700666000	PT-666000	1 - 8	\$255.46

DESCRIPTION	EXPLODED VIEW ITEM #
DUST SEAL	1
HIGH PRESSURE SEAL	2
METAL BACKUP SHIM	3
TEFLON BACKUP SEAL	4
SHAFT SEAL	5
REAR HOUSING SEAL	6
BODY SEALS (2)	7
ENDCOVER SEAL	8

HOUSING TYPES

DESCRIPTION
#20 SETBACK W/ 7/8" O-RING
#21 SETBACK W/ 1/2" BSP.F
#23 SETBACK W/ SAE "C" FRONT MOUNT W/ 7/8" O-RING
#25 SETBACK W/ SAE "C" FRONT MOUNT W/ 1/2" BSP.F
#50 SETBACK W/ RELIEF PORT AND 7/8" O-RING
#53 SETBACK W/ SAE "C" FRONT MOUNT W/RELIEF PORT & 7/8" O-RING

RE 1.5" BEARING WHEEL MOTOR



STANDARD SEAL KITS

KIT #	DESCRIPTION	ITEMS	NETPRICE
WTE-700666000	PT-666000	1 - 8	\$255.46

DESCRIPTION	EXPLODED VIEW ITEM #
DUST SEAL	1
HIGH PRESSURE SEAL	2
METAL BACKUP SHIM	3
TEFLON BACKUP SEAL	4
SHAFT SEAL	5
REAR HOUSING SEAL	6
BODY SEALS (2)	7
ENDCOVER SEAL	8

HOUSING TYPES

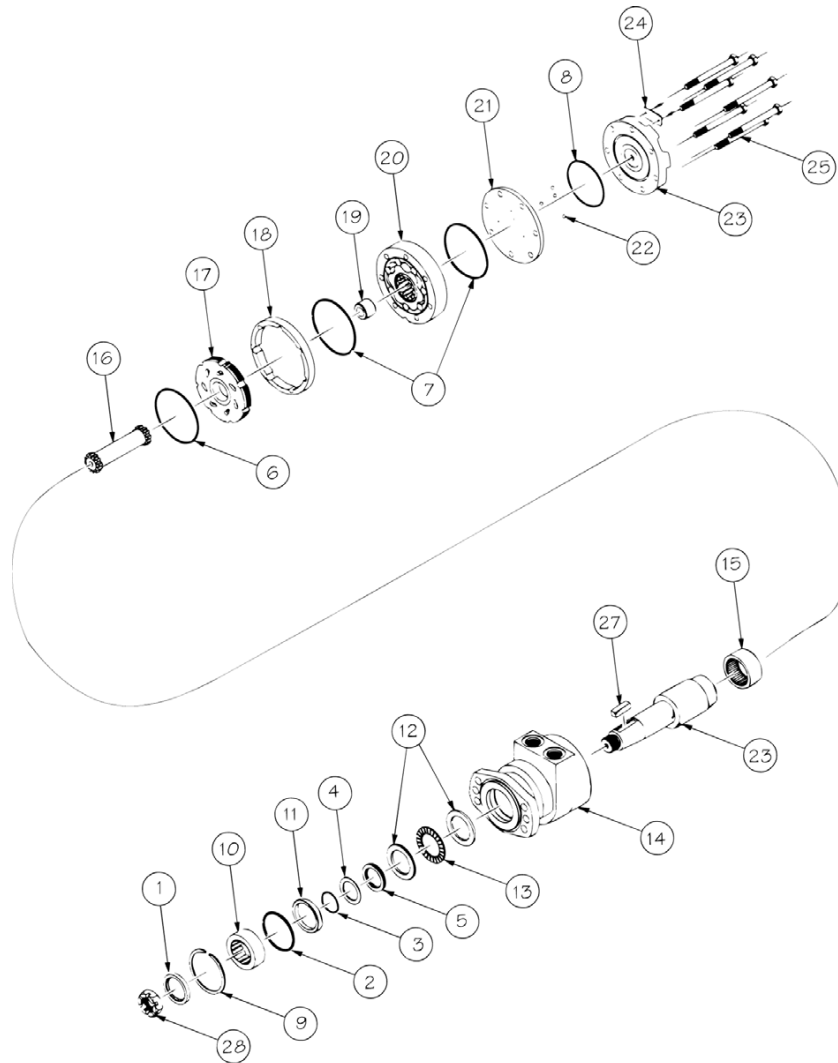
DESCRIPTION
#67 WHEEL MOTOR W/ 7/8" O-RING PORTS

MOTOR REPAIR KITS

RE 1.5" BEARING SAE "A" STYLE FLANGE MOTOR



WHITE MOTORS



STANDARD SEAL KITS

KIT #	DESCRIPTION	ITEMS	NET PRICE
WTE-700666000	PT-666000	1 - 8	\$255.46

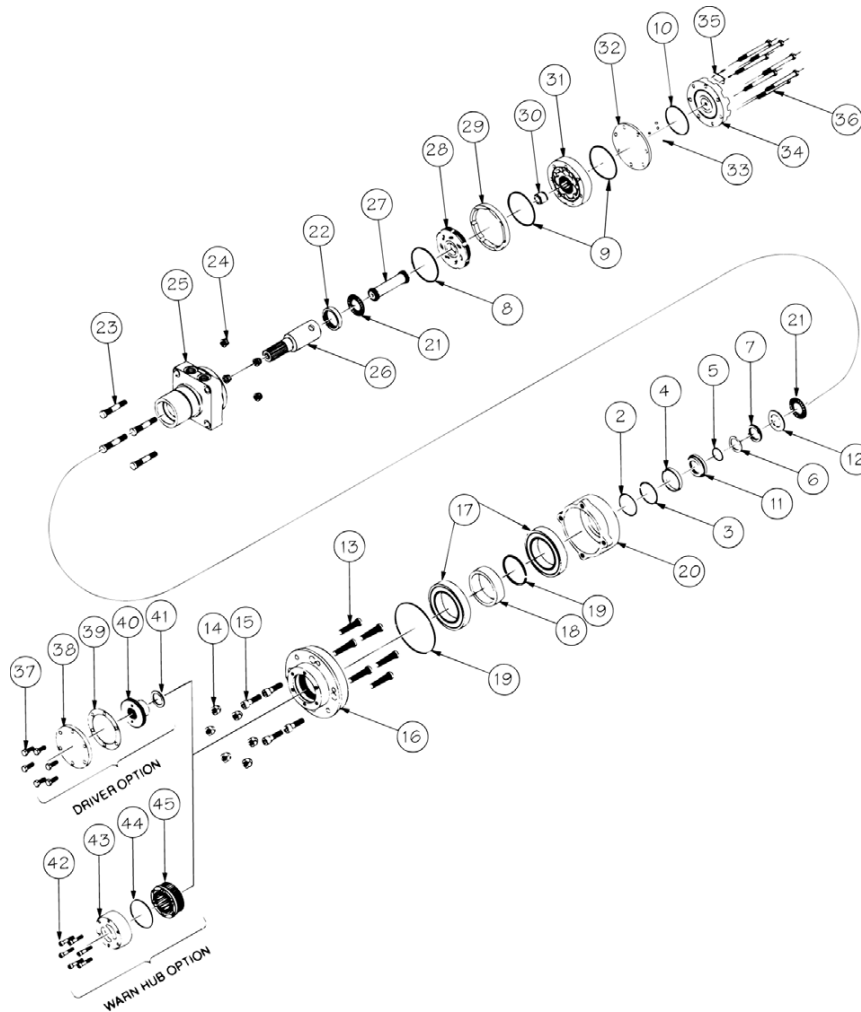
DESCRIPTION	EXPLODED VIEW ITEM #
DUST SEAL	1
HIGH PRESSURE SEAL	2
METAL BACKUP SHIM	3
TEFLON BACKUP SHIM	4
SHAFT SEAL	5
REAR HOUSING SEAL	6
BODY SEALS (2)	7
ENDCOVER SEAL	8

HOUSING TYPES

DESCRIPTION
#62 6-HOLE SAE "A" STYLE FLANGE W/ 7/8" O-RING
#66 6-HOLE SAE "A" STYLE FLANGE W/ 1/2" BSP.F
#68 6-HOLE SAE "A" STYLE FLANGE W/ MNFLD. PORTS
#92 6-HOLE SAE "A" STYLE FLANGE W/ 7/8" O-RING & RLF. PRT.
#96 6-HOLE SAE "A" STYLE FLANGE W/ 1/2" BSP.F & RLF. PRT.

MOTOR REPAIR KITS

RE 125 MM BEARING MOTOR



STANDARD SEAL KITS

KIT #	DESCRIPTION	ITEMS	NETPRICE
WTE-500444125	PE-444125	1 - 10, 39	\$135.35
WTE-500444003	PE-444003	11 - 12	225.36

DESCRIPTION	EXPLODED VIEW ITEM #
FLANGE SEAL	1
WIRE RING	2
METAL BACKUP SHIM	3
HIGH PRESSURE SEAL	4
METAL BACKUP SHIM	5
TEFLON BACKUP SEAL	6
SHAFT SEAL	7
REAR HOUSING SEAL	8
BODY SEAL	9
ENDCOVER SEAL	10
PAPER GASKET	39
SEAL CARRIER	11
THRUST WASHER	12

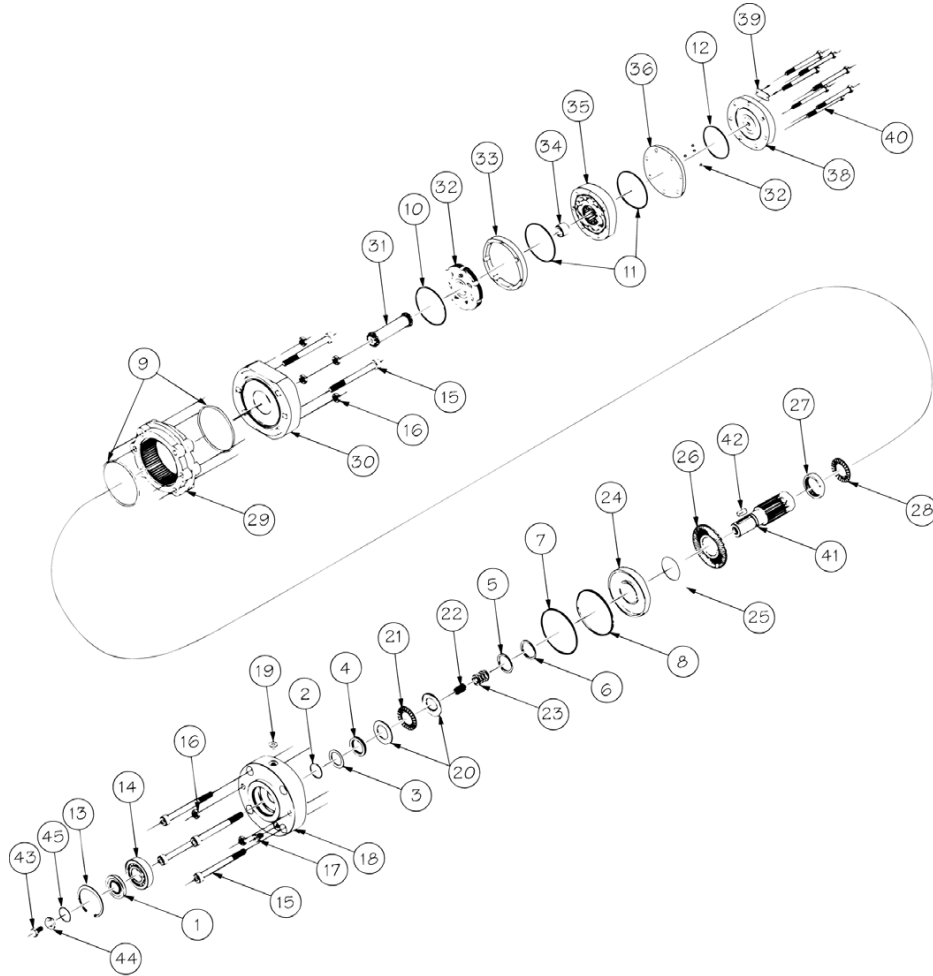
HOUSING TYPES

DESCRIPTION
#10 SETBACK W/ 7/8" O-RING

RE 12 HOUSING BRAKE MOTOR



WHITE MOTORS



STANDARD SEAL KITS

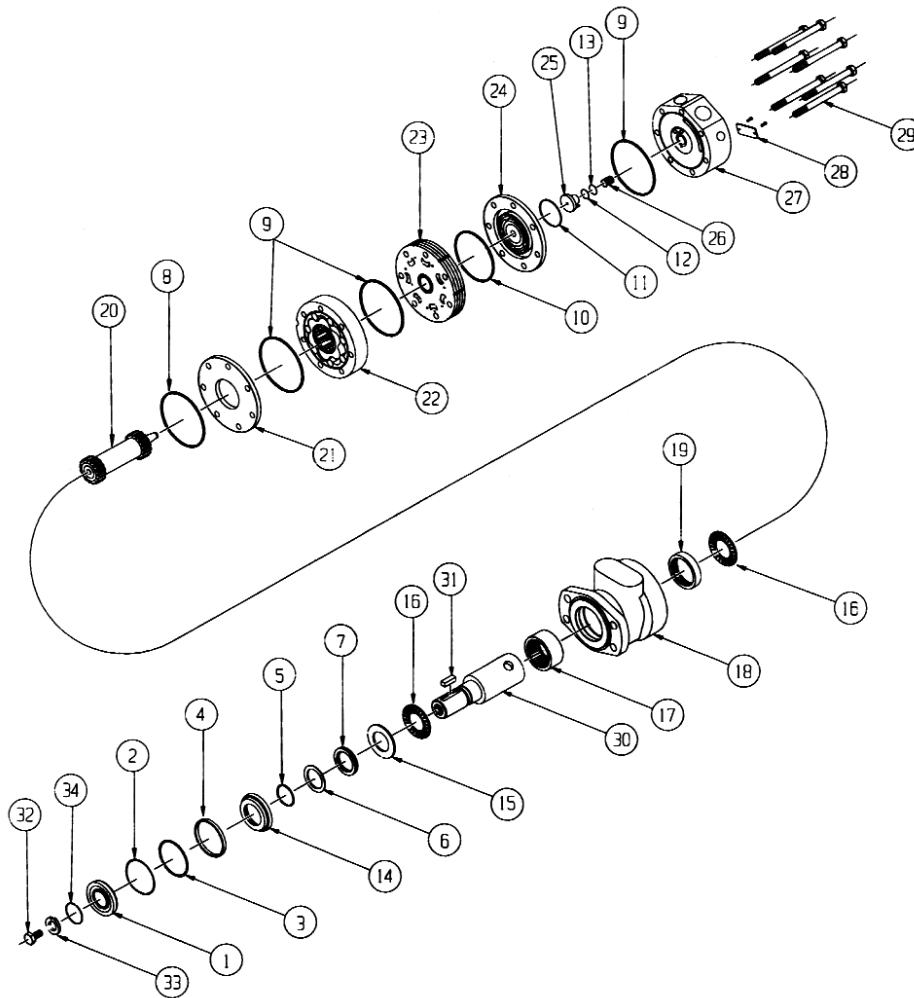
KIT #	DESCRIPTION	ITEMS	NET PRICE
WTE-500444500	PE-444500	1 - 12	\$472.46

DESCRIPTION	EXPLODED VIEW ITEM #
DUST SEAL	1
METAL BACKUP SHIM	2
TEFLON BACKUP SEAL	3
SHAFT SEAL	4
SMALL O-RING PISTON SEAL	5
SMALL TEFLON PISTON SEAL	6
LARGE O-RING PISTON SEAL	7
LARGE TEFLON PISTON SEAL	8
HOUSING SEALS (2)	9
REAR HOUSING SEAL	10
BODY SEALS (2)	11
ENDCOVER SEAL	12

HOUSING TYPES

DESCRIPTION
FRONT HOUSING SECTION (INCLUDES ITEMS #1, 13, 14 & 18)
CENTER HOUSING SECTION
REAR HOUSING SECTION (INCLUDES ITEMS #27 & 30)

STANDARD DR SERIES MOTOR



STANDARD SEAL KITS

KIT #	DESCRIPTION	ITEMS	NET PRICE
WTE-600555000	PR-555000	1 - 13	\$459.31
WTE-500444003	PE-444003	14 - 15	225.36

DESCRIPTION	EXPLODED VIEW ITEM #
DUST SEAL	1
SPLIT WEAR RING	2
METAL BACKUP SHIM	3
HIGH PRESSURE SEAL	4
METAL BACK UP SHIM	5
TEFLON BACKUP SEAL	6
SHAFT SEAL	7
REAR HOUSING SEAL	8
BODY SEALS (3)	9
MANIFOLD SEALS	10
COMMUTATOR SEAL	11
O-RING SEAL	12
TEFLON BACKUP SEAL	13
SEAL CARRIER	14
THRUST WASHER	15

HOUSING TYPES

DESCRIPTION
#07 SETBACK W/ 7/8" O-RING
#08-4-HOLES SAE "A" STYLE
#11-SETBACK W/BRAKE MOUNT
#16-2-HOLE SAE "A" STYLE
#18-6-HOLE SAE "A" STYLE

MOTOR REPAIR KITS

PARKER / COMMERCIAL VALVE SERVICE KITS

VALVE SERVICE KITS		
CM-391-1803-030	Valve Series A20 Service Kit	\$10.14
CM-391-1803-201	Valve Series A35 Service Kit	49.64

PARKER / GRESEN VALVE SERVICE KITS

Part Number	Bill Material	Description	Price
25P & V42 CONTROL VALVES			
GR-K-7001	6432001	Seal Kit, One Section Only	\$472.60
SP, SPK & SSK VALVES			
GR-K-2001	6459001	Seal Kit-1 spool valve w/adjustment relief	118.48
GR-K-2002	6458001	Seal Kit-2 spool valve w/adjustable relief	275.76
GR-K-2003	6460001	Seal Kit-3 spool valve w/adjustable relief	500.01
GR-K-2029	12759001	Standard Relief Kit, SP	466.28
GR-K-2030	12758001	High Pressure Relief Kit, SP	600.25
300 & 400 CONTROL VALVES			
GR-K-3001	6467001	Spool Seals	10.42

PARKER / GRESEN VALVE REPAIR PARTS

Part Number	Description	Qty	Net Price
GR-401272	O-RINGS	50	\$0.08
GR-401273	O-RINGS	50	0.08
GR-404463	O-RINGS	50	0.08
GR-405393	O-RINGS	50	0.36
GR-405688	O-RINGS	50	0.37
GR-406093	O-RINGS	50	0.08
GR-406265	O-RINGS	50	0.04
GR-406270	O-RINGS	50	0.08
GR-406460	O-RINGS	50	0.10
GR-406484	O-RINGS	50	0.08
GR-406725	O-RINGS	50	0.37
GR-406814	O-RINGS	50	0.46
GR-407229	O-RINGS	50	0.22
GR-407328	O-RINGS	50	0.08
GR-407342	O-RINGS	50	0.12
GR-407347	O-RINGS	50	0.14
GR-408870	O-RINGS	50	0.10
GR-493127	O-RINGS	50	0.14

PIONEER PUMP REPAIR PARTS

O-RINGS

Part #	Description	Qty	Price
PMP-30102018	O-RINGS	50	\$0.16
PMP-30102273	O-RINGS	1	5.39
PMP-30147013	O-RINGS	50	0.09
PMP-30147018	O-RINGS	50	0.16
PMP-30147112	O-RINGS	50	0.11
PMP-30147155	O-RINGS	10	1.41
PMP-30147160	O-RINGS	5	2.13
PMP-30147165	O-RINGS	5	3.34
PMP-30147177	O-RINGS	1	7.23
PMP-30147228	O-RINGS	20	0.68
PMP-30147238	O-RINGS	20	1.14
PMP-30147242	O-RINGS	10	1.30
PMP-30147243	O-RINGS	10	1.41
PMP-30147256	O-RINGS	5	2.71
PMP-30147258	O-RINGS	5	2.91
PMP-30147265	O-RINGS	5	4.36
PMP-30147273	O-RINGS	1	5.39
PMP-30147275	O-RINGS	1	5.93
PMP-30147276	O-RINGS	1	6.49
PMP-30147277	O-RINGS	1	6.49
PMP-30147278	O-RINGS	1	7.00
PMP-30147310	O-RINGS	50	0.30
PMP-30147336	O-RINGS	10	1.41
PMP-30147345	O-RINGS	10	2.13
PMP-30147367	O-RINGS	5	4.52
PMP-30147370	O-RINGS	1	5.59
PMP-30147376	O-RINGS	1	6.80
PMP-30147377	O-RINGS	1	6.80
PMP-30147378	O-RINGS	1	8.64
PMP-30147379	O-RINGS	1	9.17
PMP-30147381	O-RINGS	1	9.74
PMP-30147382	O-RINGS	1	9.74
PMP-30147383	O-RINGS	1	12.97
PMP-30147384	O-RINGS	1	12.97
PMP-30147386	O-RINGS	1	16.20
PMP-30147390	O-RINGS	1	18.90
PMP-30147391	O-RINGS	1	19.44
PMP-30147444	O-RINGS	1	5.93
PMP-30147447	O-RINGS	1	6.70
PMP-30147449	O-RINGS	1	6.70
PMP-30147454	O-RINGS	1	10.27
PMP-30148018	O-RINGS	15	0.80
PMP-30148026	O-RINGS	10	1.45
PMP-30148029	O-RINGS	10	1.90
PMP-30148112	O-RINGS	15	1.06
PMP-30148146	O-RINGS	2	4.52
PMP-30148157	O-RINGS	1	9.66
PMP-30148160	O-RINGS	1	12.78
PMP-30148161	O-RINGS	1	14.08
PMP-30148163	O-RINGS	1	16.36
PMP-30148165	O-RINGS	1	19.06
PMP-30148208	O-RINGS	7	1.63
PMP-30148210	O-RINGS	5	1.85
PMP-30148231	O-RINGS	2	7.07
PMP-30148238	O-RINGS	2	9.66
PMP-30148242	O-RINGS	1	10.87
PMP-30148243	O-RINGS	1	11.54
PMP-30148256	O-RINGS	1	18.20
PMP-30148258	O-RINGS	1	19.30
PMP-30148260	O-RINGS	1	19.98
PMP-30148264	O-RINGS	1	27.20
PMP-30148273	O-RINGS	1	38.30
PMP-30148275	O-RINGS	1	42.06
PMP-30148277	O-RINGS	1	44.04

O-RINGS

Part #	Description	Qty	Price
PMP-30148310	O-RINGS	3	\$4.52
PMP-30148332	O-RINGS	1	13.04
PMP-30148336	O-RINGS	1	16.13
PMP-30148345	O-RINGS	1	22.96
PMP-30148367	O-RINGS	1	54.58
PMP-30148370	O-RINGS	1	59.23
PMP-30148378	O-RINGS	1	81.51
PMP-30148379	O-RINGS	1	87.32
PMP-30148381	O-RINGS	1	95.35
PMP-30148383	O-RINGS	1	103.43
PMP-30148386	O-RINGS	1	120.68
PMP-30148390	O-RINGS	1	147.79
PMP-30148393	O-RINGS	1	163.37
PMP-30148447	O-RINGS	1	75.07
PMP-30148449	O-RINGS	1	84.47
PMP-30148454	O-RINGS	1	104.15

SEALS

Part #	Description	Shaft	Price
PMP-12646170	ACTUATOR SEAL	-	\$104.19
PMP-30500106	OIL SEALS	1-1/8	88.02
PMP-30500107	OIL SEALS	1-3/8	14.73
PMP-30500176	OIL SEALS	2-5/8	334.80
PMP-30500179	OIL SEALS	2-1/2	334.80
PMP-30500184	OIL SEALS	2-3/4	35.56
PMP-30500199	OIL SEALS	3-1/4	52.81

METAL PARTS

Part #	Description	Price
PMP-12227109	IMPELLER KEYS	\$15.63
PMP-12227112	IMPELLER KEYS	40.63
PMP-12227119	IMPELLER KEYS	25.00
PMP-37622125C300	SCREWS	140.63
PMP-37627062C225	SCREWS	125.00
PMP-37627075C250	SCREWS	75.00
PMP-1272110511	SHIMS	12.50
PMP-1272110512	SHIMS	12.22
PMP-12721108	SHIMS	9.61
PMP-12721109	SHIMS	10.28
PMP-12721111	SHIMS	10.72
PMP-12721112	SHIMS	10.56
PMP-12721116	SHIMS	9.61
PMP-1322717507	SLEEVES	137.50
PMP-1142710068	WASHERS	46.88
PMP-1142711319	WASHERS	75.00
PMP-1142711390	WASHERS	65.63
PMP-1142711566	WASHERS	106.25
PMP-1142712846	WASHERS	1.73
PMP-1142713220	WASHERS	3.73
PMP-3512110231	WASHERS	18.75
PMP-3512111391	WASHERS	28.13
PMP-3512111659	WASHERS	31.25

MISCELLANEOUS PARTS

Part #	Description	Price
PMP-34800104	LUBRICANT	\$13.61

Appendix

Contents

Page

Metric / Inch Conversion Table

1180 - 1181

METRIC / INCH CONVERSION TABLE

Inches		Millimeter
Fractions	Decimals	
—	.0004	.01
—	.004	.10
—	.01	.25
1/64	.0156	.397
—	.0197	.50
—	.0295	.75
1/32	.03125	.794
—	.0394	1.0
3/64	.0469	1.191
—	.059	1.5
1/16	.062	1.588
5/64	.0781	1.984
—	.0787	2.0
3/32	.094	2.381
—	.0984	2.5
7/64	.109	2.778
—	.1181	3.0
1/8	.125	3.175
—	.1378	3.5
9/64	.141	3.572
5/32	.156	3.969
—	.1575	4.0
11/64	.172	4.366
—	.177	4.5
3/16	.1875	4.763
—	.1969	5.0
13/64	.203	5.159
—	.2165	5.5
7/32	.219	5.556
15/64	.234	5.953
—	.2362	6.0
1/4	.250	6.350
—	.2559	6.5
17/64	.2656	6.747
—	.2756	7.0
9/32	.281	7.144
—	.2953	7.5
19/64	.297	7.541
5/16	.312	7.938
—	.315	8.0
21/64	.328	8.334
—	.335	8.5
11/32	.344	8.731
—	.3543	9.0
23/64	.359	9.128

Inches		Millimeter
Fractions	Decimals	
—	.374	9.5
3/8	.375	9.525
25/64	.391	9.922
—	.3937	10.0
13/32	.406	10.319
—	.413	10.5
27/64	.422	10.716
—	.4331	11.0
7/16	.438	11.113
29/64	.453	11.509
15/32	.469	11.906
—	.4724	12.0
31/64	.484	12.303
—	.492	12.5
1/2	.500	12.700
—	.5118	13.0
33/64	.5156	13.097
17/32	.531	13.494
35/64	.547	13.891
—	.5512	14.0
9/16	.563	14.288
—	.571	14.5
37/64	.578	14.684
—	.5906	15.0
19/32	.594	15.081
39/64	.609	15.478
5/8	.625	15.875
—	.6299	16.0
41/64	.6406	16.272
—	.6496	16.5
21/32	.658	16.669
—	.6693	17.0
43/64	.672	17.066
11/16	.6875	17.463
45/64	.703	17.859
—	.7087	18.0
23/32	.719	18.256
—	.7283	18.5
47/64	.734	18.653
—	.7480	19.0
3/4	.750	19.050
49/64	.7656	19.447
25/32	.781	19.844
—	.7874	20.0
51/64	.797	20.241

Inches		Millimeter
Fractions	Decimals	
13/16	.8125	20.638
—	.8268	21.0
53/64	.828	21.034
27/32	.844	21.431
55/64	.859	21.828
—	.8661	22.0
7/8	.875	22.225
57/64	.8906	22.622
—	.9055	23.0
29/32	.9062	23.019
59/64	.922	23.416
15/16	.9375	23.813
—	.9449	24.0
61/64	.953	24.209
31/32	.969	24.606
—	.9843	25.0
63/64	.9844	25.003
1	1.000	25.400
—	1.0236	26.0
1-1/32	1.0312	26.194
1-1/16	1.062	26.988
—	1.063	27.0
1-3/32	1.094	27.781
—	1.1024	28.0
1-1/8	1.125	28.575
—	1.1417	29.0
1-5/32	1.156	29.369
—	1.1811	30.0
1-3/16	1.1875	30.163
1-7/32	1.219	30.956
—	1.2205	31.0
1-1/4	1.250	31.750
—	1.2598	32.0
1-9/32	1.281	32.544
—	1.2992	33.0
1-5/16	1.312	33.338
—	1.3386	34.0
1-11/32	1.344	34.131
1-3/8	1.375	34.925
—	1.3779	35.0
1-13/32	1.406	35.719
—	1.4173	36.0
1-7/16	1.438	36.513
—	1.4567	37.0
1-15/32	1.469	37.306

Inches		Millimeter
Fractions	Decimals	
—	1.4961	38.0
1-1/2	1.500	38.100
1-17/32	1.531	38.894
—	1.5354	39.0
1-9/16	1.562	39.688
—	1.5748	40.0
1-19/32	1.594	40.481
—	1.6142	41.0
1-5/8	1.625	41.275
—	1.6535	42.0
1-21/32	1.6562	42.069
1-11/16	1.6875	42.863
—	1.6929	43.0
1-23/32	1.719	43.656
—	1.7323	44.0
1-3/4	1.750	44.450
—	1.7717	45.0
1-25/32	1.781	45.244
—	1.8110	46.0
1-13/16	1.8125	46.038
1-27/32	1.844	46.831
—	1.8504	47.0
1-7/8	1.875	47.625
—	1.8898	48.0
1-29/32	1.9062	48.419
—	1.9291	49.0
1-15/16	1.9375	49.213
—	1.9685	50.0
1-31/32	1.969	50.006
2	2.000	50.800
—	2.0079	51.0
2-1/32	2.03125	51.594
—	2.0472	52.0
2-1/6	2.062	52.388
—	2.0866	53.0
2-3/32	2.094	53.181
2-1/8	2.125	53.975
—	2.126	54.0
2-5/32	2.156	54.769
—	2.165	55.0
2-3/16	2.1875	55.563
—	2.2047	56.0
2-7/32	2.219	56.356
—	2.244	57.0
2-1/4	2.250	57.150

METRIC / INCH CONVERSION TABLE

Inches		Millimeter	Inches		Millimeter	Inches		Millimeter	Inches		Millimeter
Fractions	Decimals		Fractions	Decimals		Fractions	Decimals		Fractions	Decimals	
2-9/32	2.281	57.944	3-1/16	3.062	77.788	3-27/32	3.844	97.631	—	7.4803	190.0
—	2.2835	58.0	—	3.0709	78.0	—	3.8583	98.0	7-1/2	7.500	190.500
2-5/16	2.312	58.738	3-3/32	3.094	78.581	3-7/8	3.875	98.425	—	7.8740	200.0
—	2.3228	59.0	—	3.1102	79.0	—	3.8976	99.0	8	8.000	203.200
2-11/32	2.344	59.531	3-1/8	3.125	79.581	3-29/32	3.9062	99.219	—	8.2677	210.0
—	2.3622	60.0	—	3.1496	80.0	—	3.9370	100.0	8-1/2	8.500	215.900
2-3/8	2.375	60.325	3-5/32	3.156	80.169	3-15/16	3.9375	100.013	—	8.6614	220.0
—	2.4016	61.0	3-3/16	3.1875	80.963	3-31/32	3.969	100.806	9	9.000	228.600
2-13/32	2.406	61.119	—	3.1890	81.0	—	3.9764	101.0	—	9.0551	230.0
2-7/16	2.438	61.913	3-7/32	3.219	81.756	4	4.000	101.600	—	9.4488	240.0
—	2.4409	62.0	—	3.2283	82.0	4-1/16	4.062	103.188	9-1/2	9.500	241.300
2-15/32	2.469	62.706	3-1/4	3.250	82.550	4-1/8	4.125	104.775	—	9.8425	250.0
—	2.4803	63.0	—	3.2677	83.0	—	4.1338	105.0	10	10.000	254.001
2-1/2	2.500	63.500	3-9/32	3.281	83.344	4-3/16	4.1875	106.363	—	10.2362	260.0
—	2.5197	64.0	—	3.3071	84.0	4-1/4	4.250	107.950	—	10.6299	270.0
2-17/32	2.531	64.294	3-5/16	3.312	84.1377	4-5/16	4.312	109.538	11	11.000	279.401
—	2.559	65.0	3-11/32	3.344	84.9314	—	4.3307	110.0	—	11.0236	280.0
2-9/16	2.562	65.088	—	3.3464	85.0	4-3/8	4.375	111.125	—	11.4173	290.0
2-19/32	2.594	65.881	3-3/8	3.375	85.725	4-7/16	4.438	112.713	—	11.8110	300.0
—	2.5984	66.0	—	3.3858	86.0	4-1/2	4.500	114.300	12	12.000	304.801
2-5/8	2.625	66.675	3-13/32	3.406	86.519	—	4.5275	115.0	13	13.000	330.201
—	2.638	67.0	—	3.4252	87.0	4-9/16	4.562	115.888	—	13.7795	350.0
2-21/32	2.656	67.469	3-7/16	3.438	87.313	4-5/8	4.625	117.475	14	14.000	355.601
—	2.6772	68.0	—	3.4648	88.0	4-11/16	4.6875	119.063	15	15.000	381.001
2-11/16	2.6875	68.263	3-15/32	3.469	88.108	—	4.7244	120.0	—	15.7480	400.0
—	2.7165	69.0	3-1/2	3.500	88.900	4-3/4	4.750	120.650	16	16.000	406.401
2-23/32	2.719	69.056	—	3.5039	89.0	4-13/16	4.8125	122.238	17	17.000	431.801
2-3/4	2.750	69.850	3-17/32	3.531	89.694	4-7/8	4.875	123.825	—	17.7165	450.0
—	2.7559	70.0	—	3.5433	90.0	—	4.9212	125.0	18	18.000	457.201
2-25/32	2.781	70.6439	3-9/16	3.562	90.4877	4-15/16	4.9375	125.413	19	19.000	482.601
—	2.7953	71.0	—	3.5827	91.0	5	5.000	127.000	—	19.6850	500.0
2-13/16	2.8125	71.4376	3-19/32	3.594	91.281	—	5.1181	130.0	20	20.000	508.001
—	2.8346	72.0	—	3.622	92.0	5-1/4	5.250	133.350			
2-27/32	2.844	72.2314	3-5/8	3.625	92.075	5-1/2	5.500	139.700			
—	2.8740	73.0	3-21/32	3.656	92.869	—	5.5118	140.0			
2-7/8	2.875	73.025	—	3.6614	93.0	5-3/4	5.750	146.050			
2-29/32	2.9062	73.819	3-11/16	3.6875	93.663	—	5.9055	150.0			
—	2.9134	74.0	—	3.7008	94.0	6	6.000	152.400			
2-15/16	2.9375	74.613	3-23/32	3.719	94.456	6-1/4	6.250	158.750			
—	2.9527	75.0	—	3.7401	95.0	—	6.2992	160.0			
2-31/32	2.969	75.406	3-3/4	3.750	95.250	6-1/2	6.500	165.100			
—	2.9921	76.0	—	3.7795	96.0	—	6.6929	170.0			
3	3.000	76.200	3-25/32	3.781	96.044	6-3/4	6.750	171.450			
3-1/32	3.0312	76.994	3-13/16	3.8125	96.838	7	7.000	177.800			
—	3.0315	77.0	—	3.8189	97.0	—	7.0866	180.0			

